

This Owner's Manual is provided and hosted by [Appliance Factory Parts](#).



Broil-Mate 765354 Owner's Manual

[Shop genuine replacement parts for Broil-Mate 765354](#)



[Find Your Broil-Mate Grill Parts - Select From 682 Models](#)

----- Manual continues below part list -----

Available Replacement Parts for Broil-Mate 765354

18013	LARGE PROBE HEAT INDICATOR
S21124	SCREW PHCP #8 X 12 +
Y-12222	MAGNET - DOOR
10240-20	DOOR PIN TOP
27055-901	GREASE TRAY PORC FORMED 440 +
18431	OEM FLAV R WAVE - BARON
52007-181	COOKING GRID 550 PORC BLK +
20005-000	HARDWARE BAG STICK & CHAIN SS
10342-245	IGNITOR ELECTRONIC DUAL +
59005-014	CONTROL ASSY 4V LP
59005-017	CONTROL ASSY 4V NG
52924-144R	BURNER - MAIN
10111-K45	HOSE 3/8 INCH ASSEMBLY NG 10 FOOT +
10081-69BM	NAMEPLATE BROILMATE
10342-E12	ELECTRODE W/WIRE +
24009-936	HANDLE RING
10472-K431	CONTRL KNOB RESIN LRG BLCK W/SS BA STRIP
21071-13	DOOR HANDLE 500 GPB
22002-268	CONTROL KNOB BEZEL LARGE
24005-12AB	LID-HANDLE BENT,
21035-991	GREASE RAIL 440/500 SABLE BLK
21009-951	TANK COLLAR CLAMP 625/750 BLK PULL OUT
51239-901	TANK PREVENTION BRACKET 440 + BLK
51335-211	TOP MAGNET BRACKET 440 BLACK
52009-901	GREASE PAN - BLACK HIGH HEAT PAINT
57139-13	BRACKET U-CHANNEL REAR 330/440/550
10111-15A	HOSE ASSEMBLY SS
10114-16	HOSE & REG ASSY 17 INCH LP +
52904-144NG	BURNER ASSY MAIN SINGLE TUBE + NG
53001-011A	SHELF ASSEMBLY 330/440 RHS + SS FASCIA

10892-286	CASTER 3 INCH W/O LEG LEVEL
51639-908	CASTER BRACKET RESIN BLK AB
27249-904	GREASE SHIELD MODULAR, 6.5 x 6
22025-903	COLLECTOR BOX ASSY 500 430SS

OMC

ASSEMBLY MANUAL & PARTS LIST • MANUEL DE MONTAGE & LISTE DE PIÈCES • MANUAL DE ARMADO Y LISTA DE PARTES



STERLING 565384/87
565344/47

HUNTINGTON 365384/87
365344/47

BROIL-MATE 765384/87
765344/47



STERLING 565284/87

HUNTINGTON 365284/87

BROIL-MATE 765284/87



STERLING 565364/67
565324/27

HUNTINGTON 365364/67
365324/27

BROIL-MATE 765364/67
765324/27



STERLING 565264/67

HUNTINGTON 365264/67

BROIL-MATE 765264/67



STERLING 565354/57

HUNTINGTON 365354/57

BROIL-MATE 765354/57



STERLING 565254/57

HUNTINGTON 365254/57

BROIL-MATE 765254/57



STERLING 565954T/57T

RETAIN FOR FUTURE REFERENCE • VEUILLEZ CONSERVER POUR REFERENCE ULTERIEURE • CONSERVAR PARA FUTURAS CONSULTAS

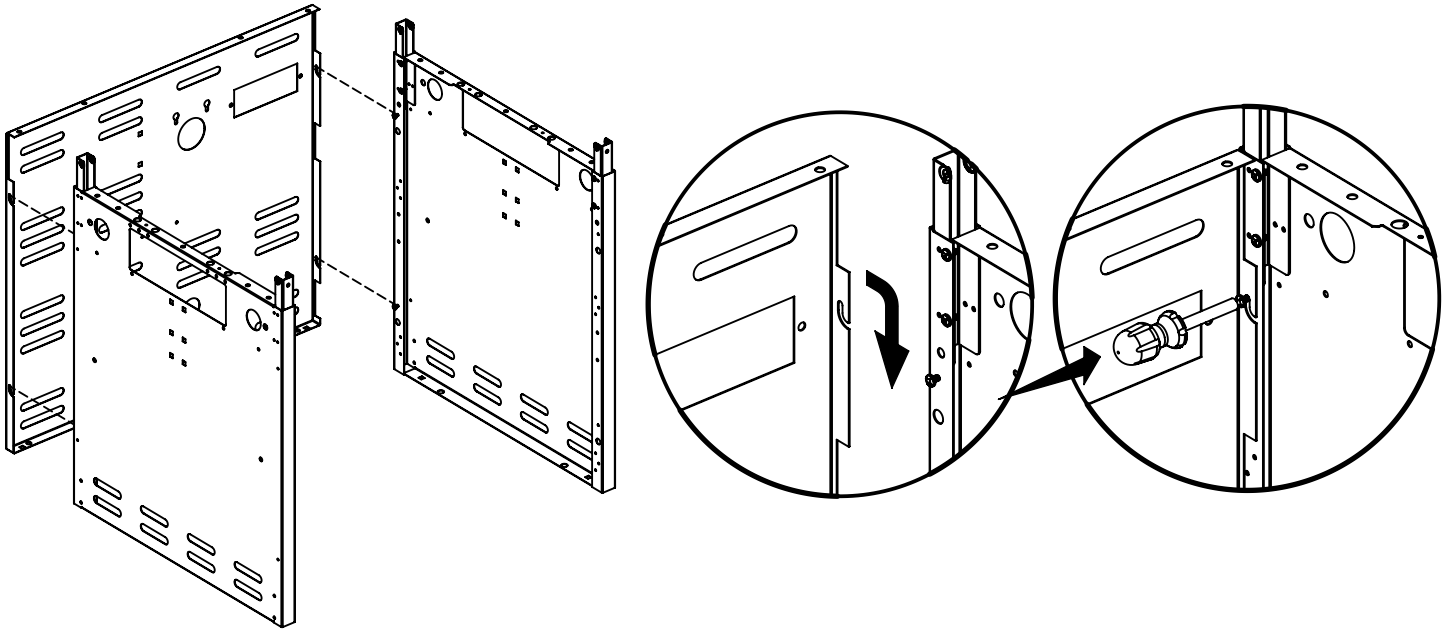
1-800-265-2150

info@omcbbq.com

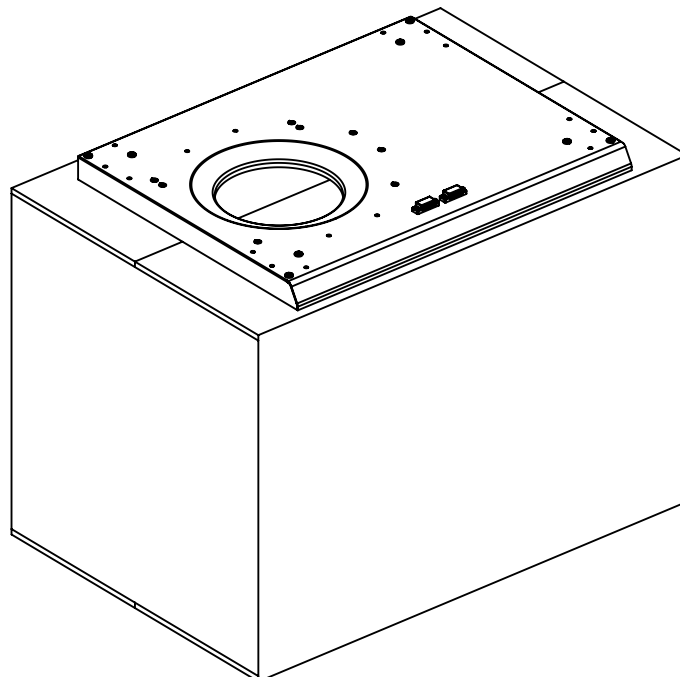
Onward
MANUFACTURING COMPANY
SINCE 1906
1000 EAST MARKET STREET
HUNTINGTON, INDIANA, 46750, USA

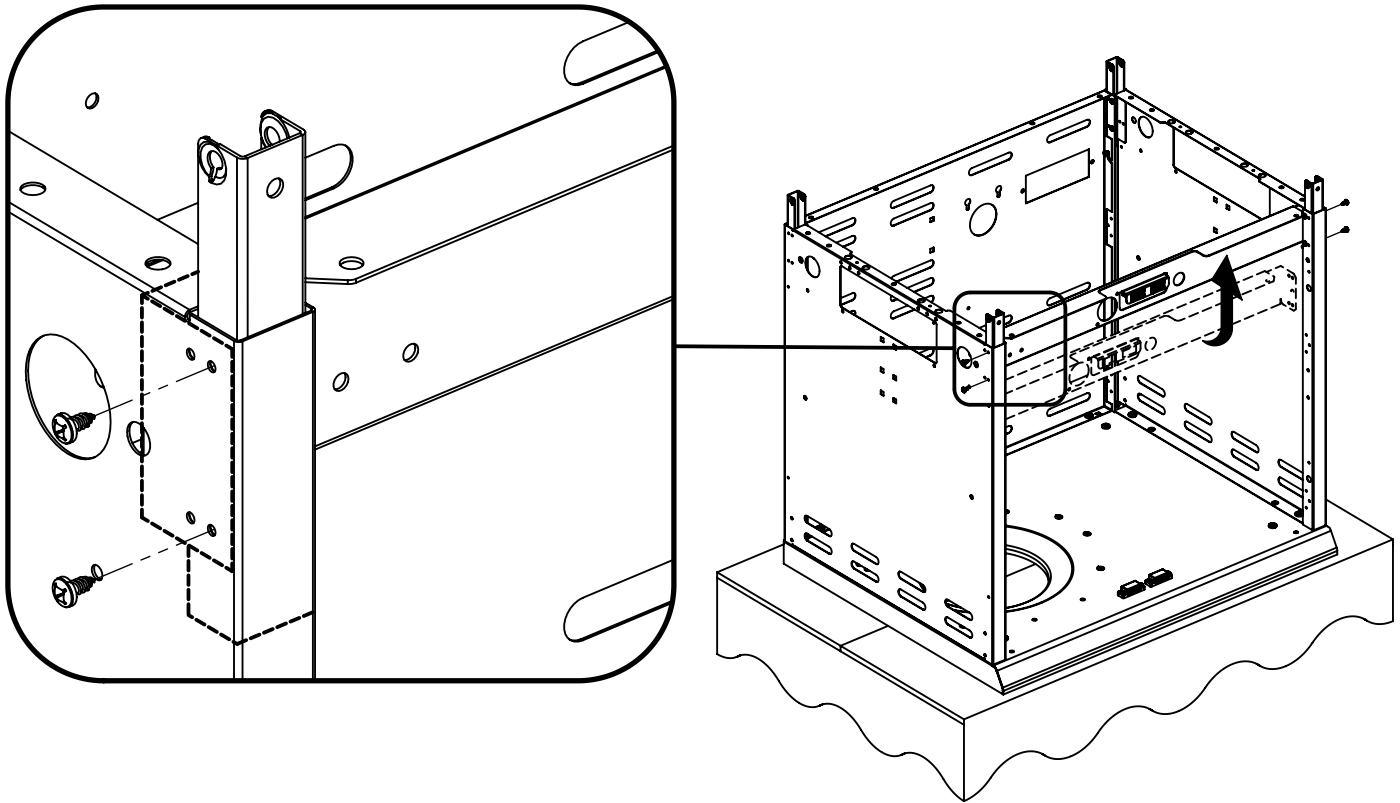
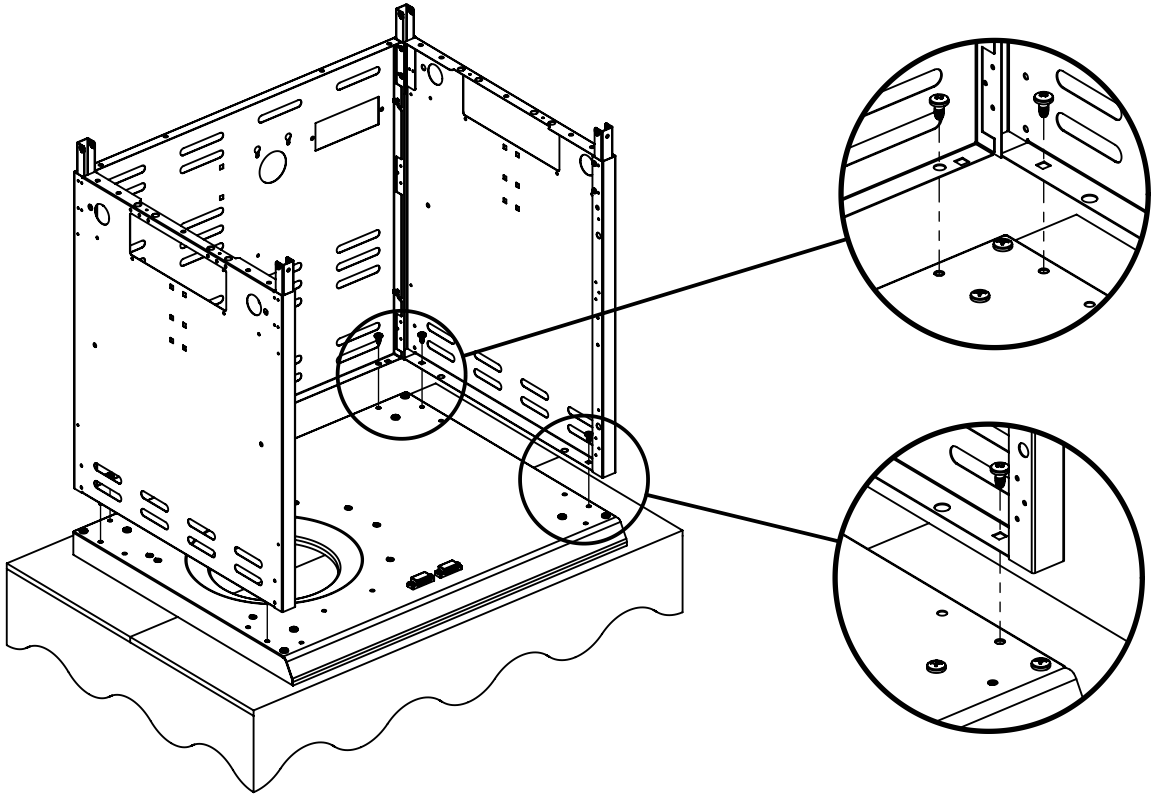
50084-E48 Rev C 11/17

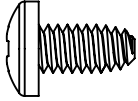
%

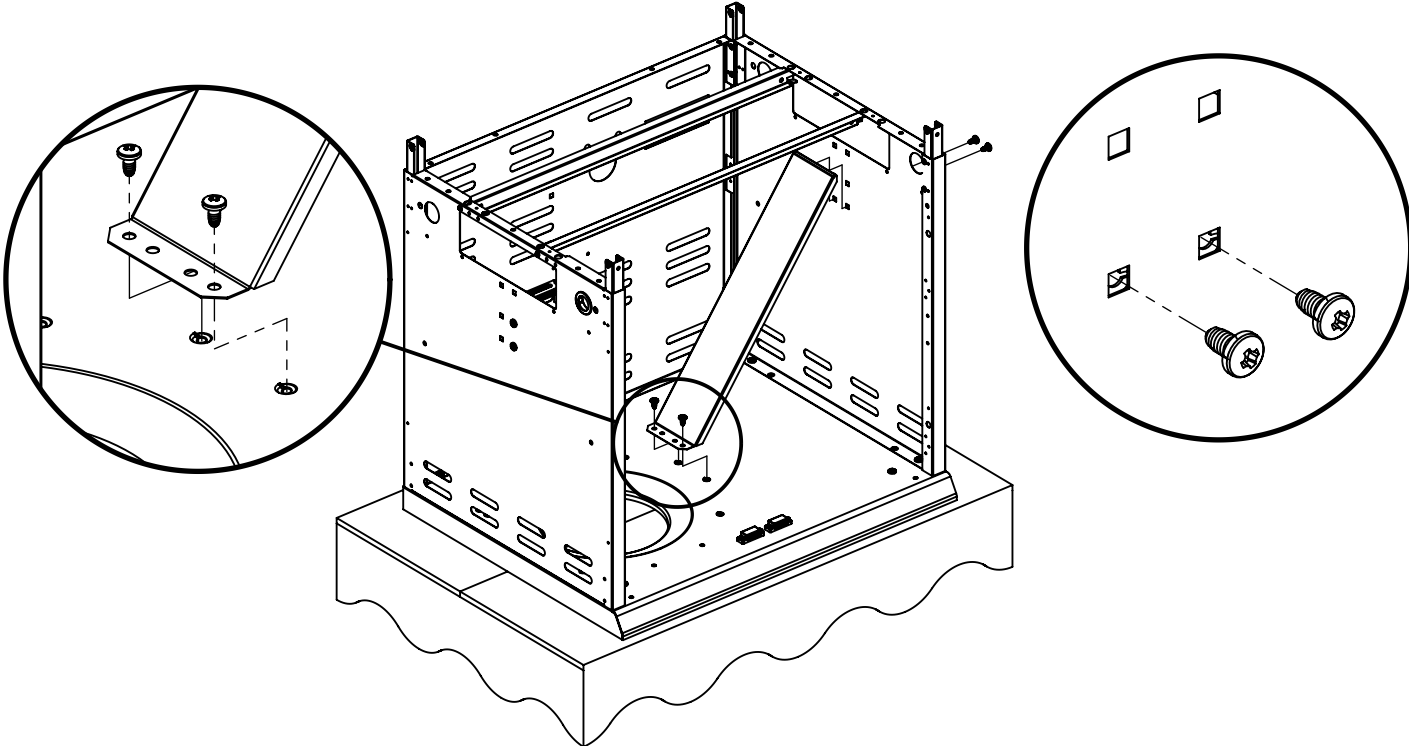


&

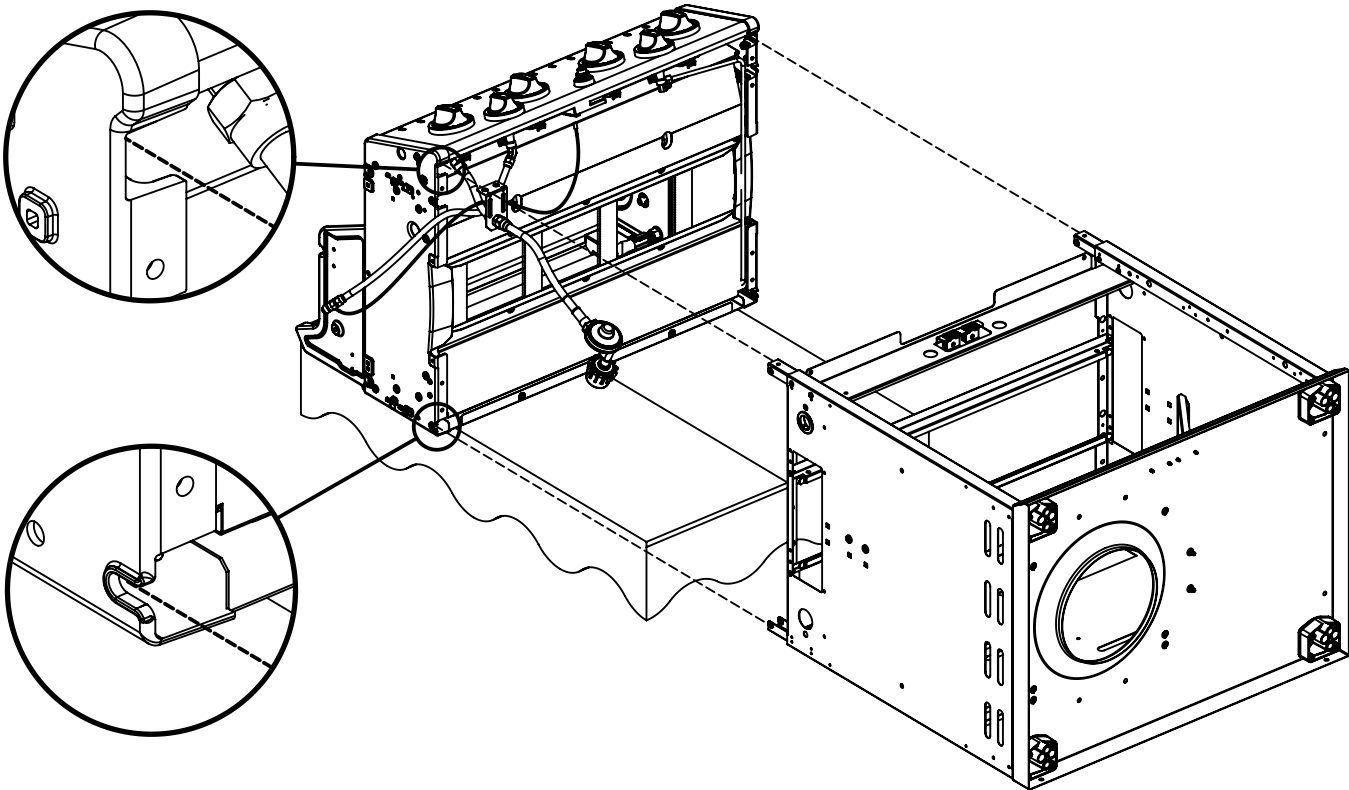


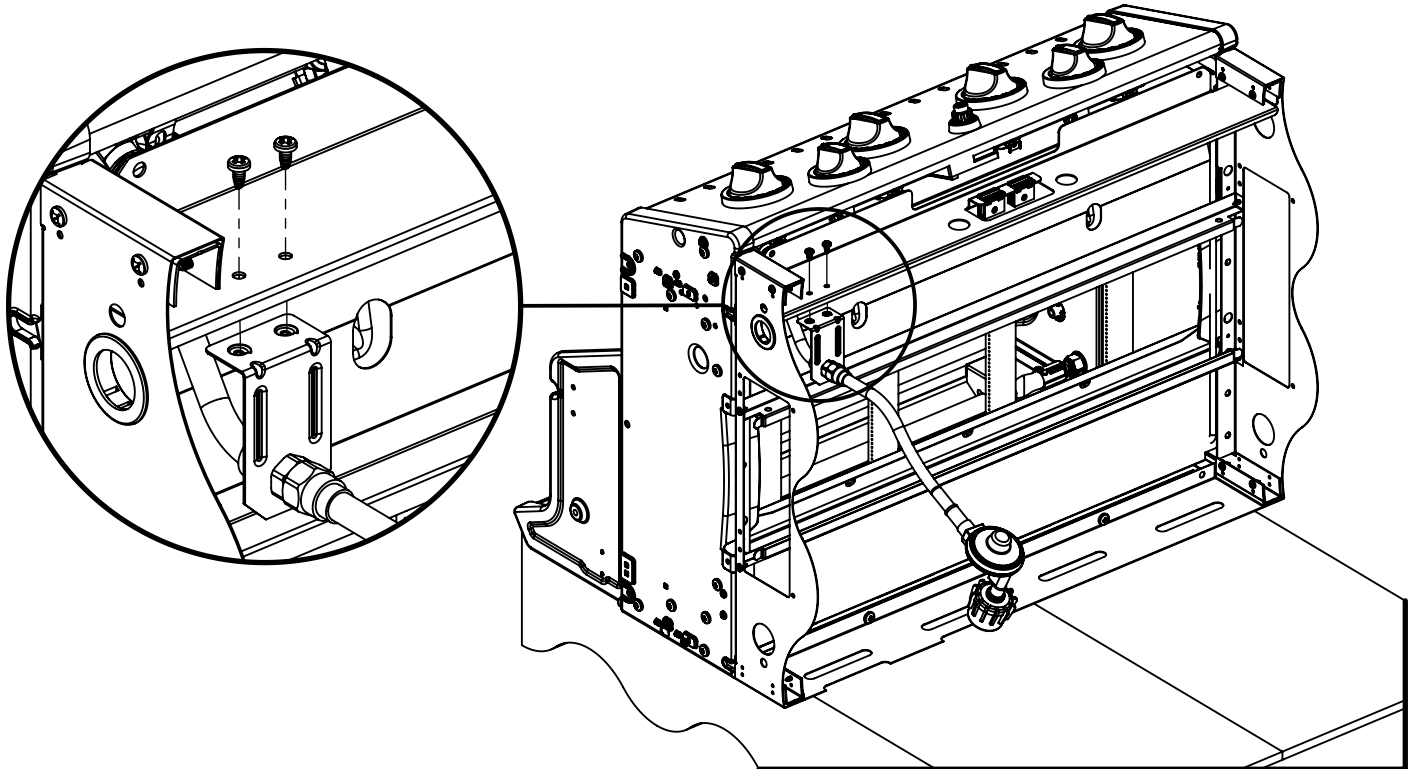
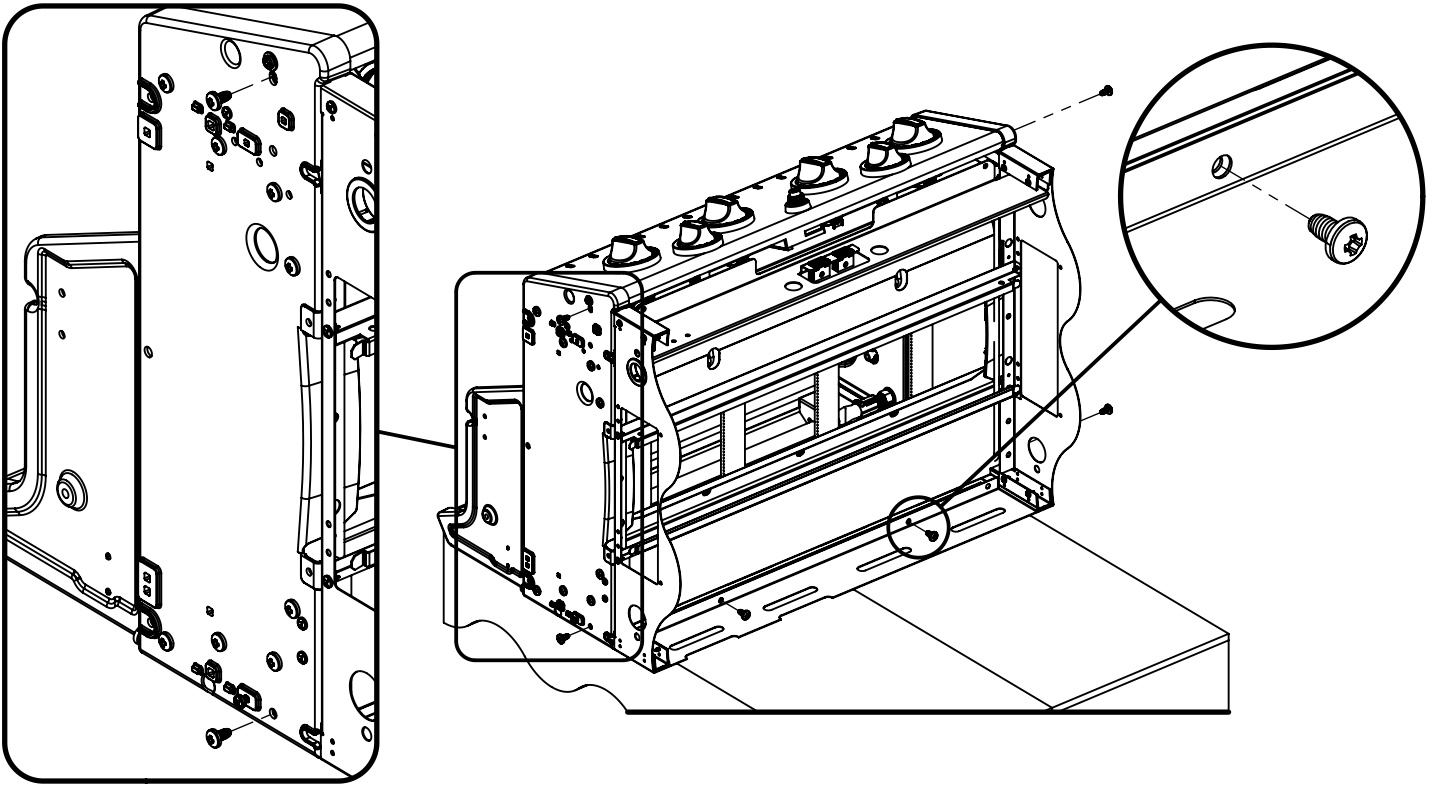
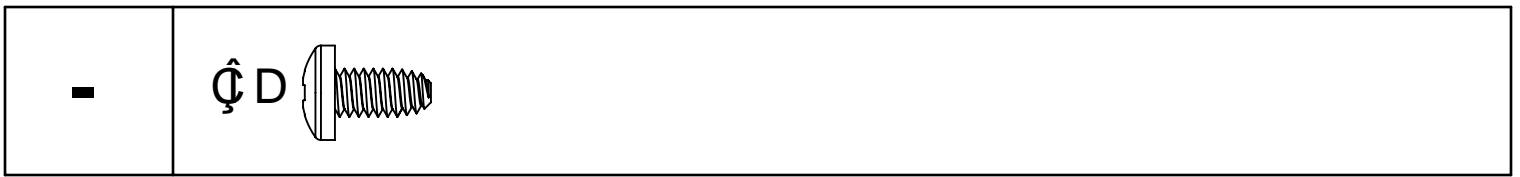


+	Ç D 
---	---

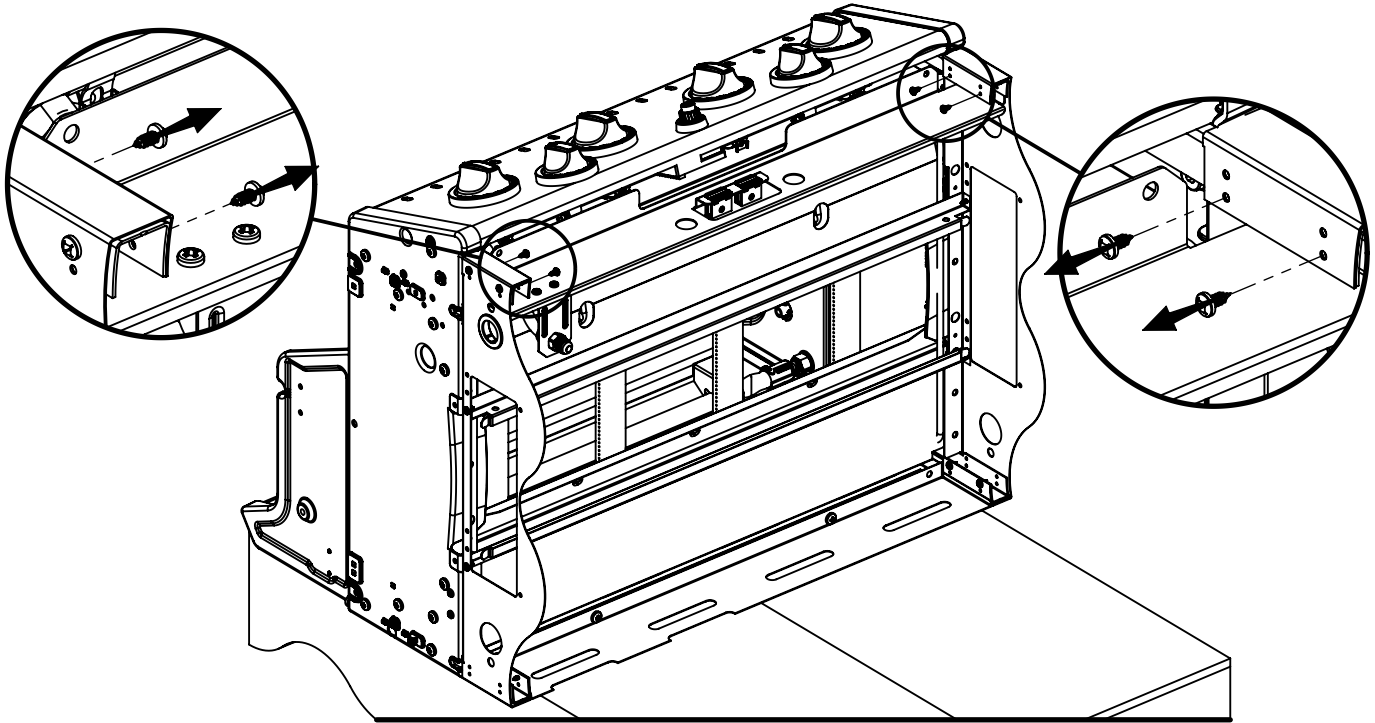


,	
---	--

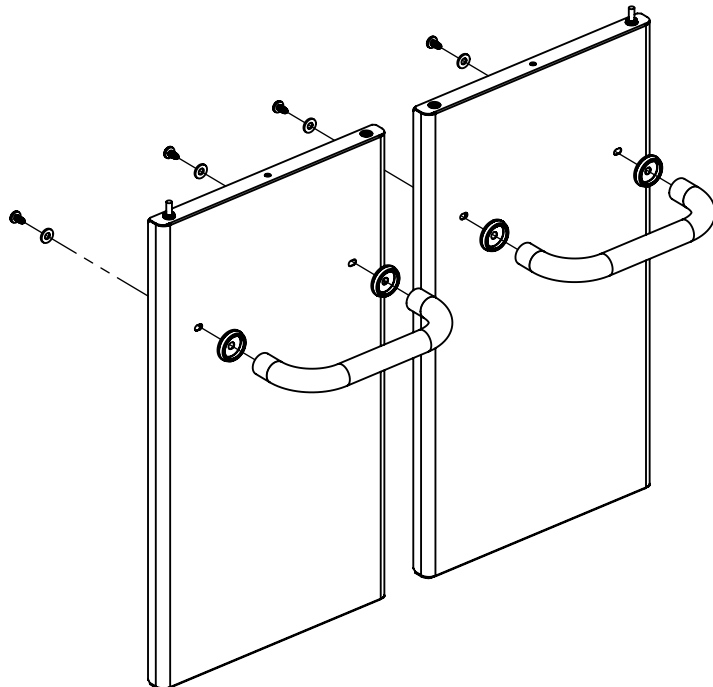
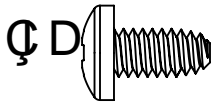


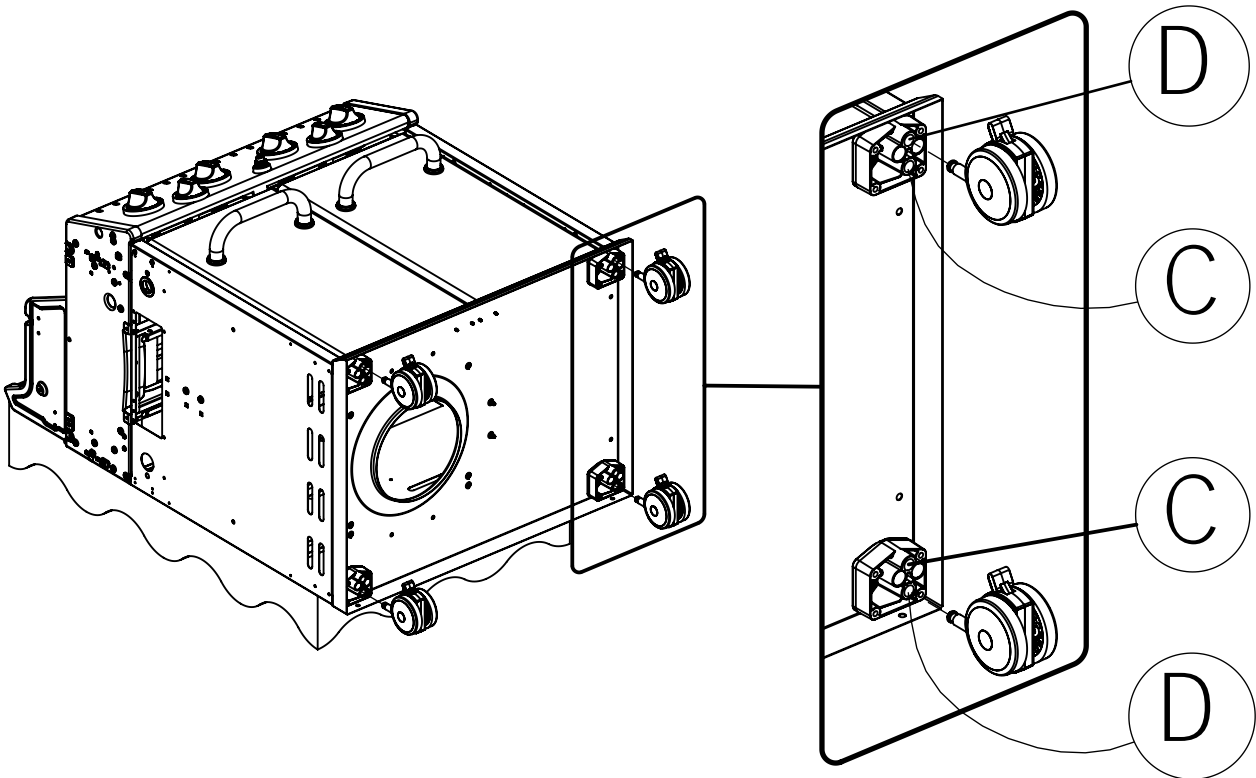
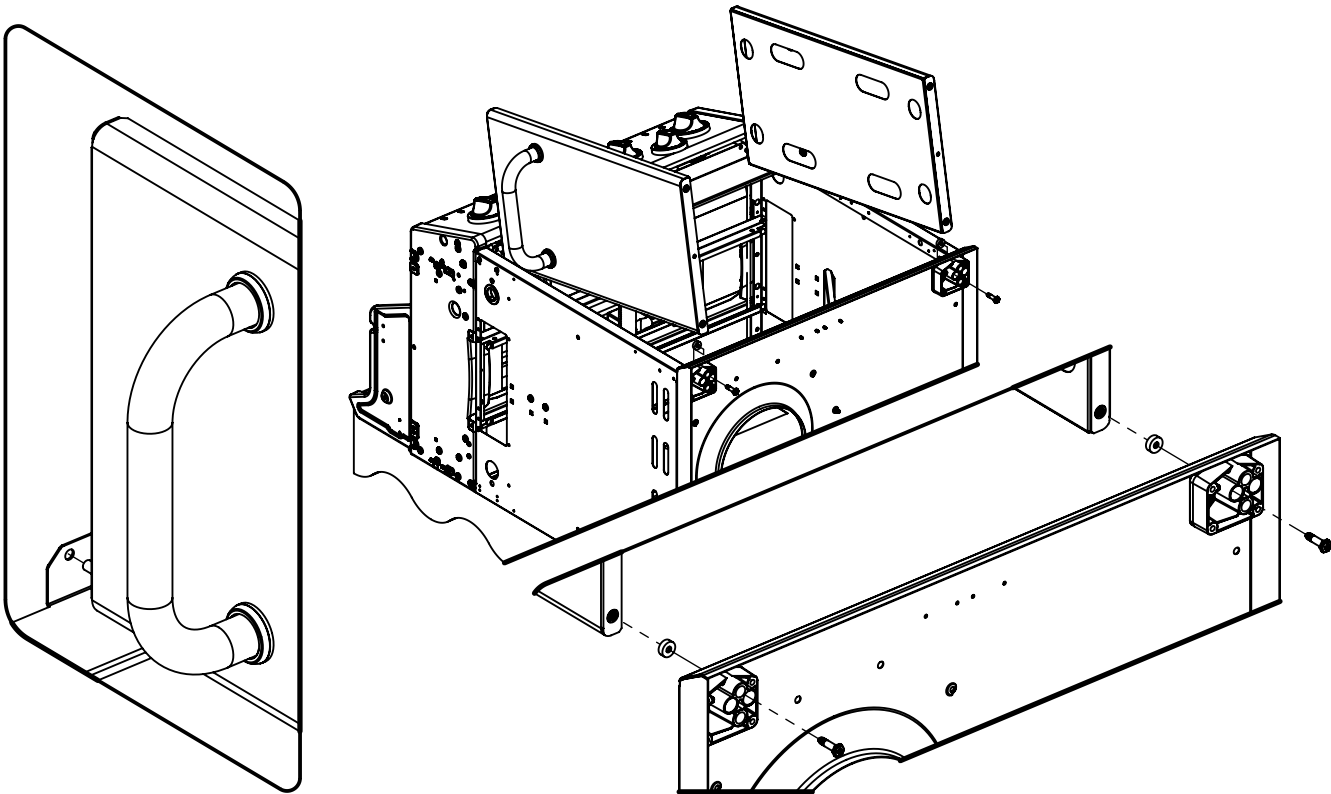
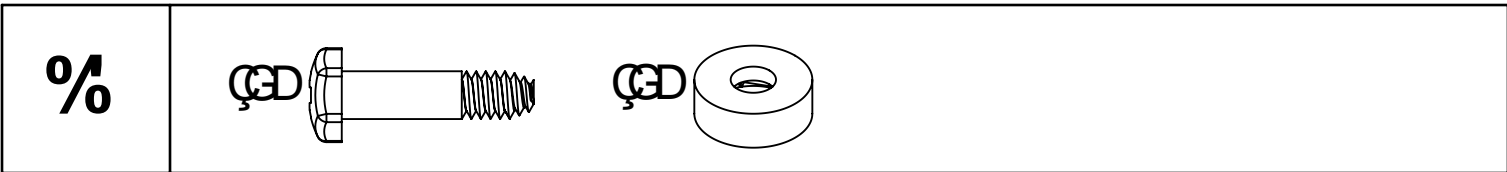


0/0

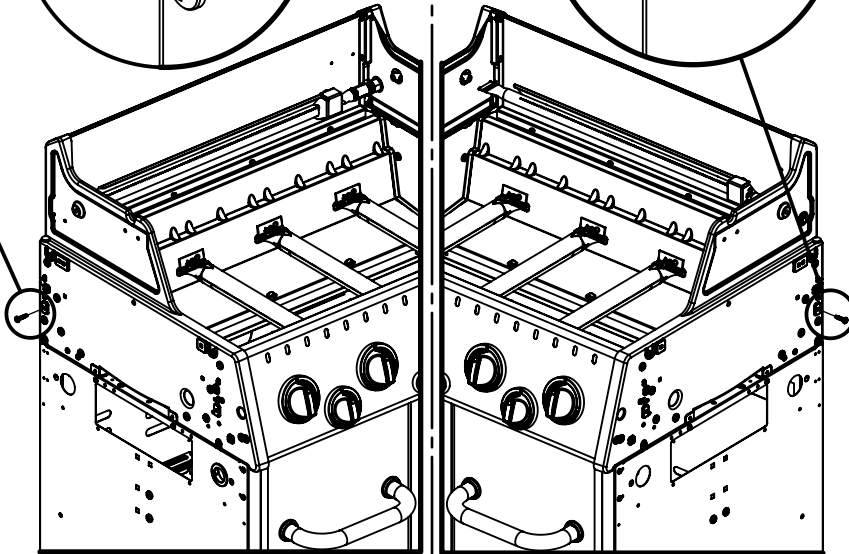
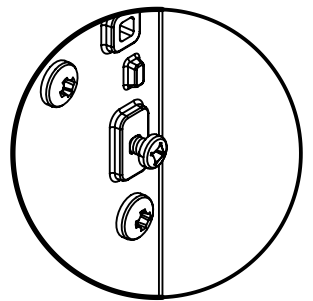
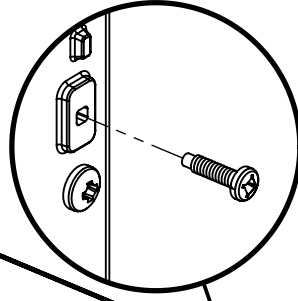
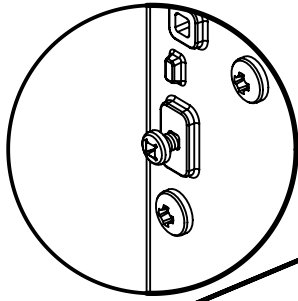
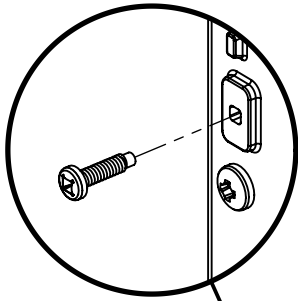
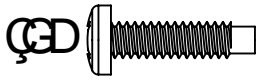


0/8

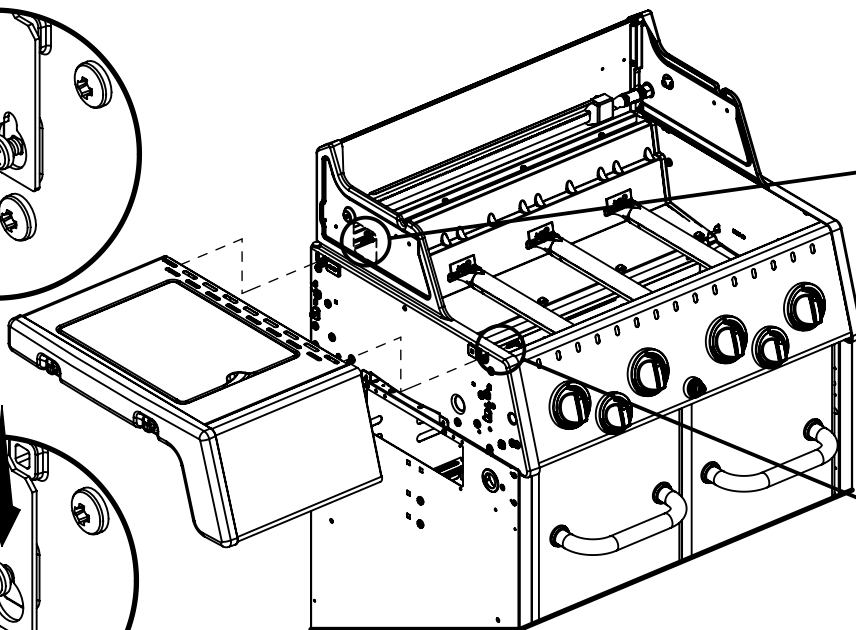
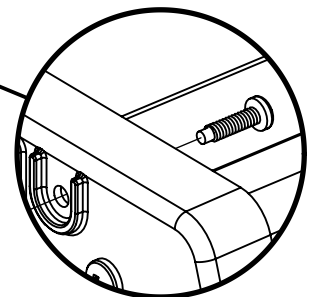
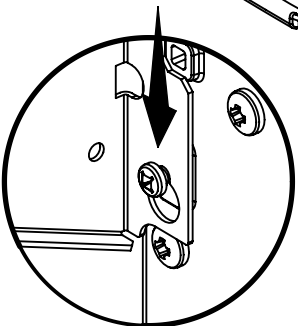
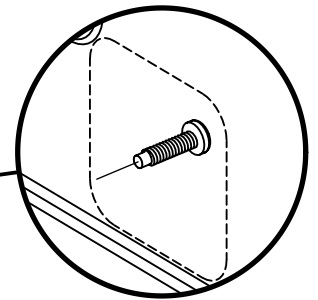
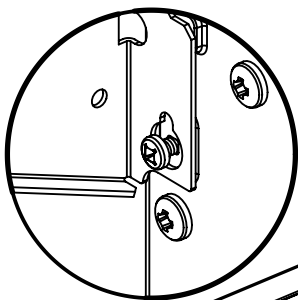
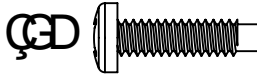


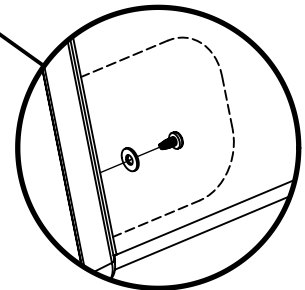
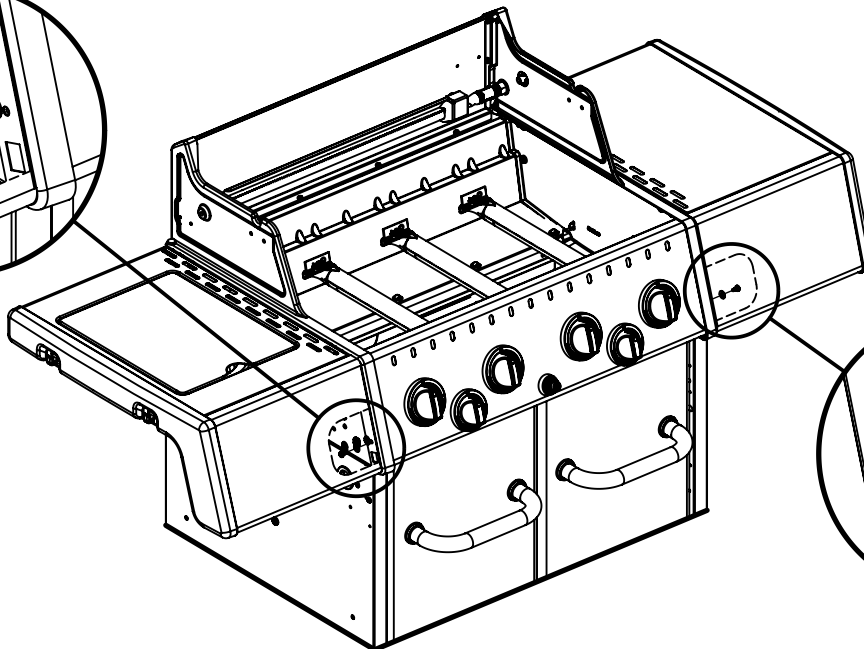
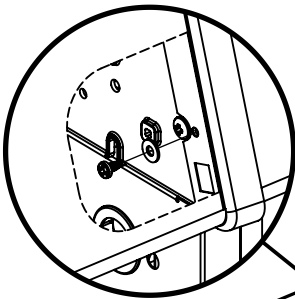
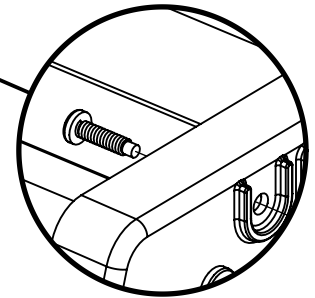
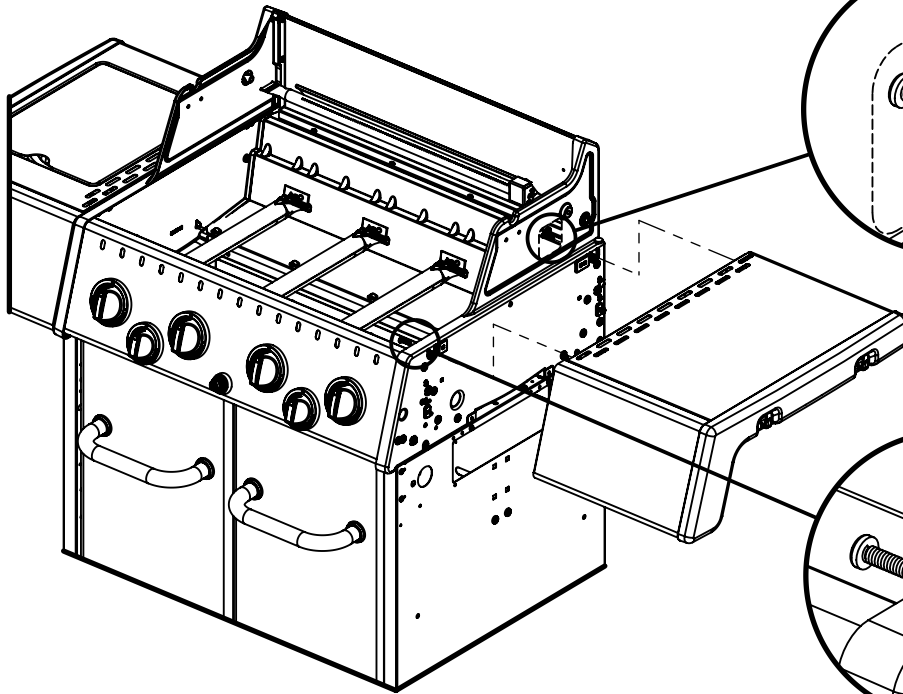
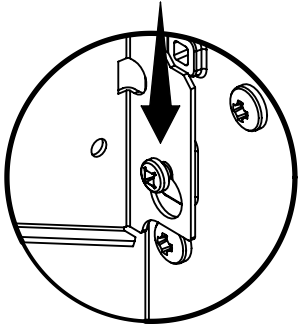
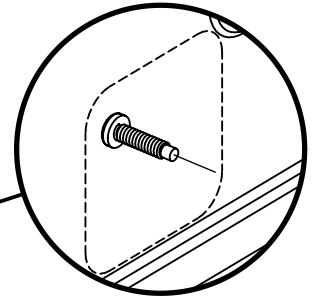
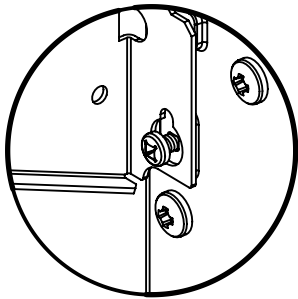
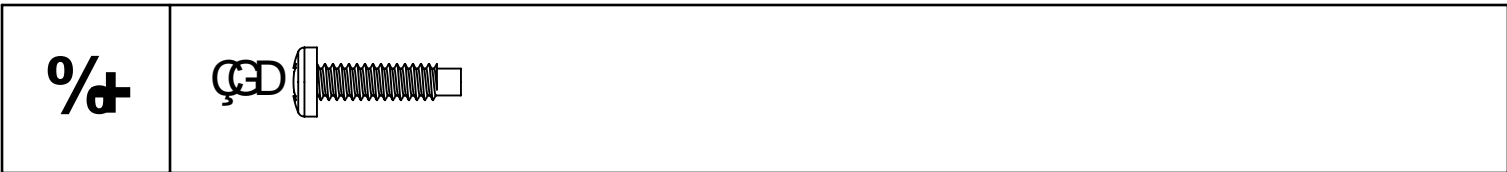


0/9

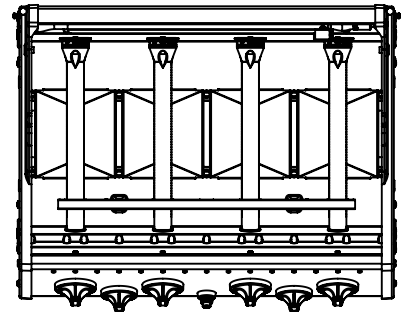
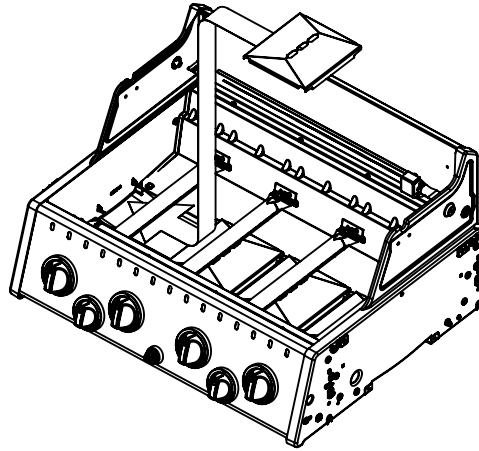
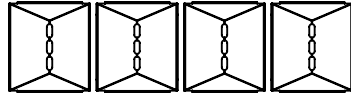
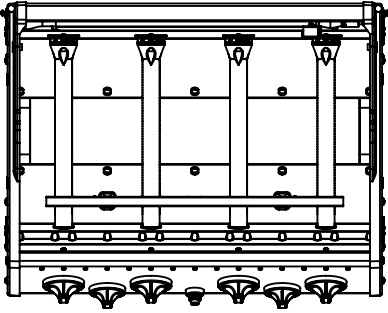


0/*

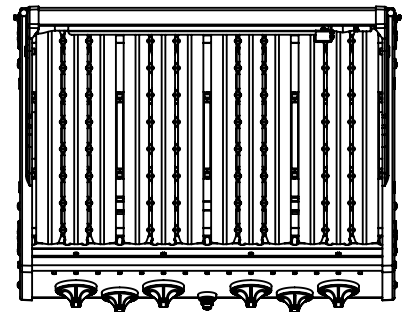
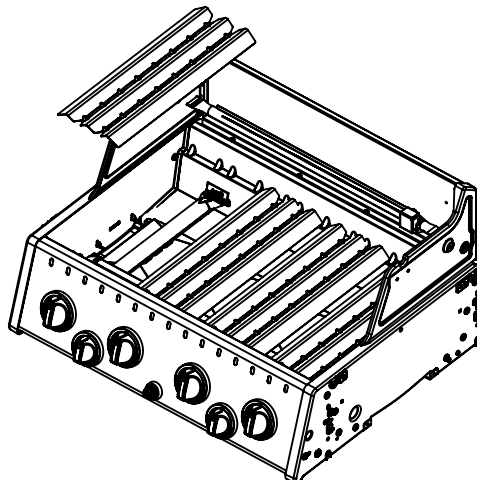
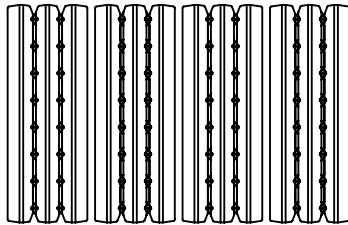
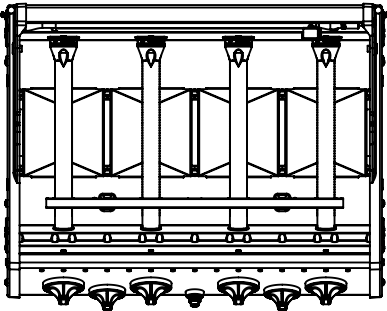




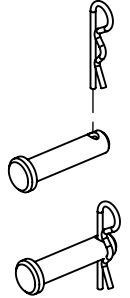
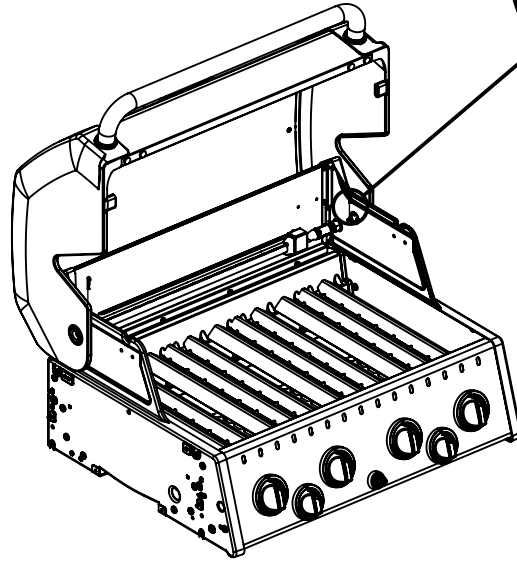
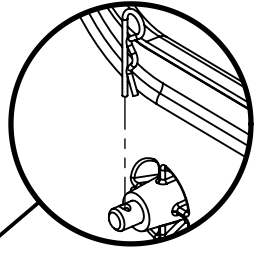
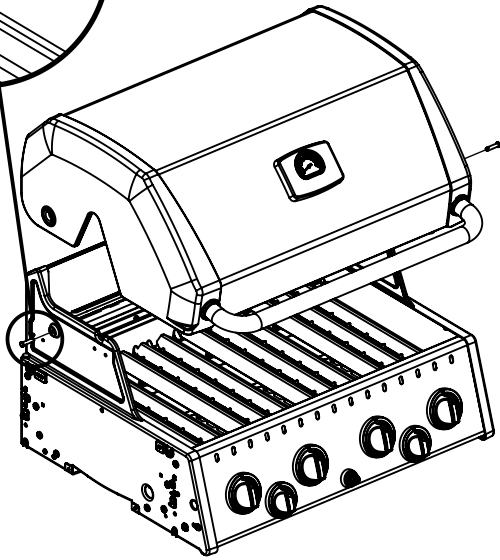
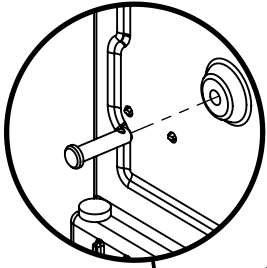
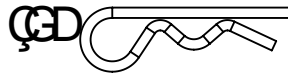
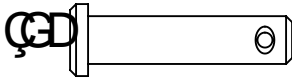
&\$



&%



&&



&

