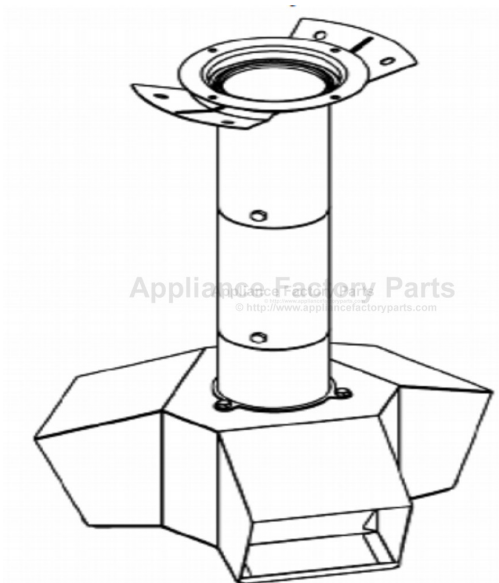


This Owner's Manual is provided and hosted by [Appliance Factory Parts](#).



Rankam HU2103002-GW Owner's Manual

[Shop genuine replacement parts for Rankam
HU2103002-GW](#)



[Find Your Rankam Grill Parts - Select From 123 Models](#)

----- Manual continues below -----

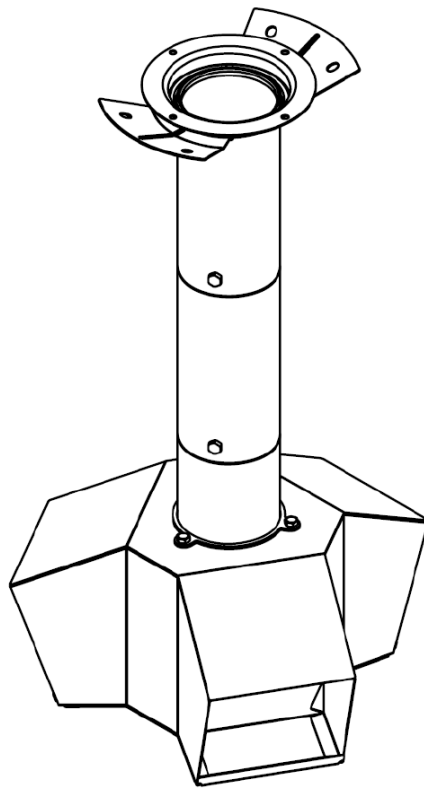


GAME WINNER®

Assembly Instructions

GW Universal Gravity Feed Tube

Style FSGWSF1011 (HU2103002-GW)



Please keep this instruction manual for future reference

**Customer Service: (888) 837-1380, 8:00am to 5:00pm, Pacific Standard Time,
Monday thru Friday**

Email: customerservice@rankam.com

----- OR -----

Customer Service: (888) 922-2336, 7:00am to 12:00am CST daily

Live Chat at: www.academy.com

Email: customerservice@academy.com

(Made in China)

Warnings -----	3
Tools Required (Not included) -----	4
Parts List -----	5-6
Hardware List -----	7
Assembly Instructions -----	8-12
Care and Maintenance -----	13
Warranty Information -----	14

NOTE: Before beginning assembly of product, make sure all parts are present. Compare parts with package content list and hardware contents. If any part is missing or damaged do not attempt to assemble the unit. Contact customer service for replacement parts.

Warnings

Pay attention to these statements when reading this manual and the information contained can save your life.

⚠ Danger: Indicates an imminently hazardous situation which, if not avoided, will result in death or serious injury.

⚠ Warning: Be alert to the possibility of serious bodily injury if the instructions are not followed. Be sure to read and carefully follow all of the messages.

⚠ Caution: Indicates a potentially hazardous situation which, if not avoided, may result in minor or moderate injury.

Read and follow all safety statements, warning, assembly instructions and use & care directions before attempting to assemble. Keep this manual for future reference.

Double check that all parts and hardware are included prior to the assembly. Do not throw away the packaging material until assembly is completed.

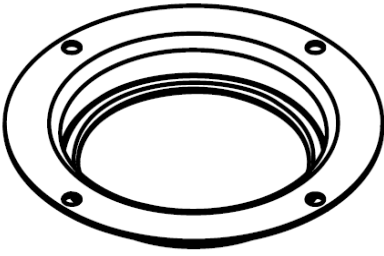
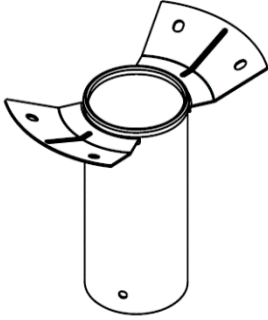
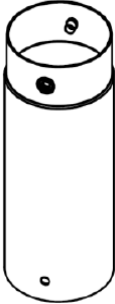
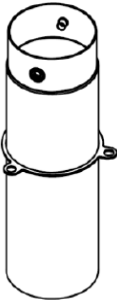
Refer to the images in this manual for visualization of the assembly process in addition to reading the instructions.

Some parts contain sharp edges. Sharp points or edges can scratch, poke or puncture. Wear appropriate clothing and safety gloves during assembly.

Tools Required (Not Included)

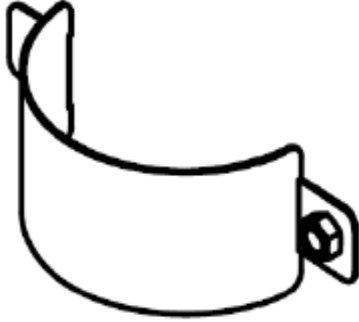

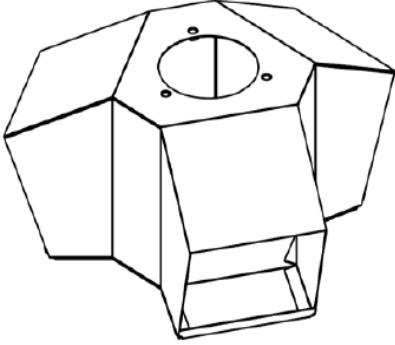
1	Wrench	
---	--------	--

Parts List

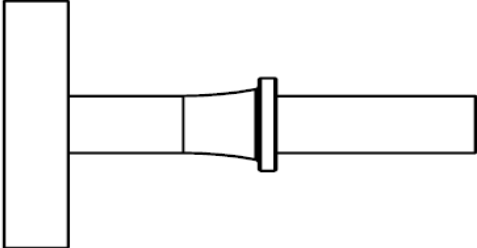
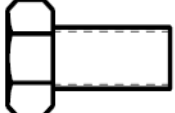
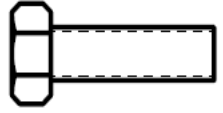

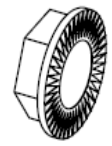
1	Adapter		1pc
2	Feed Tube Body - Top		1pc
3	Feed Tube Body - Middle		1pc
4	Feed Tube Body - Bottom		1pc

For assembly assistance, missing or damaged parts,
please call customer service 1-888-837-1380
DO NOT RETURN TO RETAILER

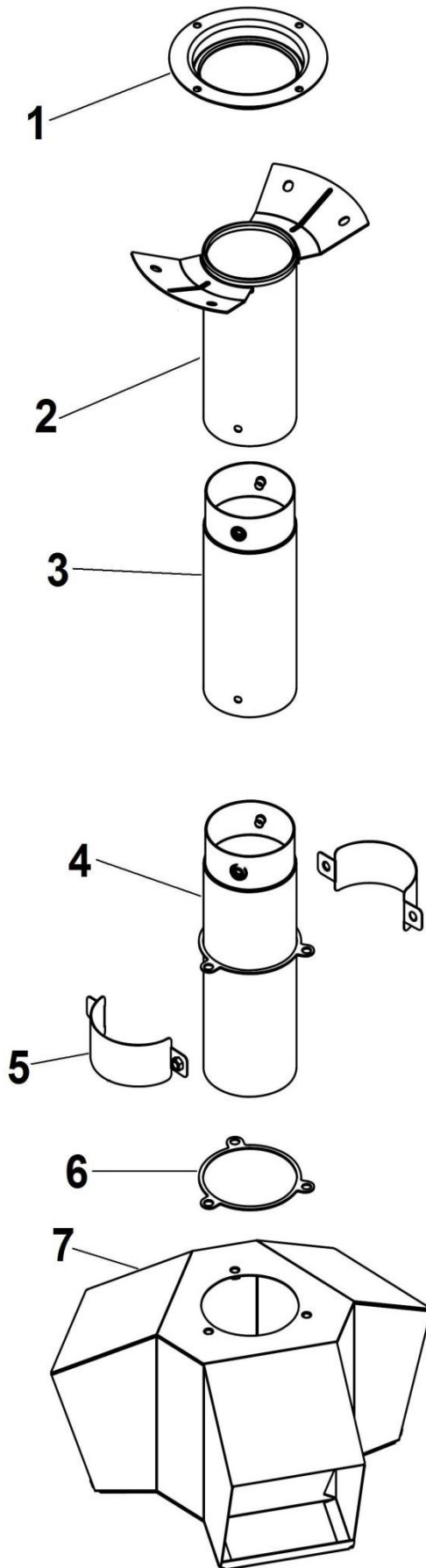
Parts List

5	Ring Bracket		2pcs
6	Seal Ring		1pc
7	Feed Tube Port		1pc

Hardware

A	M8X25 Bolt		2pcs
B	M8X15 Bolt		3pcs
C	M6X20 Bolt		12pcs
D	Flat Washer		4pcs
E	M6 Flange Nut		4pcs

Product Diagram



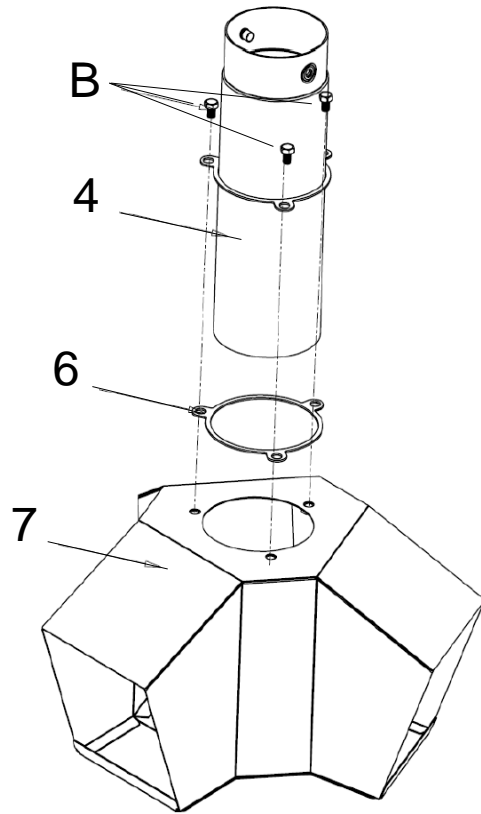
Assembly Instructions

Step 1:

Attach the Feed Tube Body Bottom (#4) and Seal Ring (#6) to the Feed Tube Port (#7) using bolts (B, M8 X 15).

Hardware :

#B – 3pcs



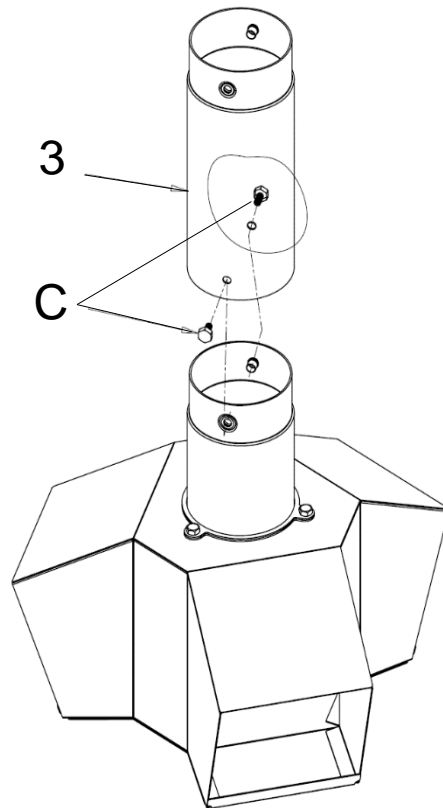
Step 2:

Attach the Feed Tube Body Middle (#3) to the assembly in Step #1 using bolts (C, M6 X 20).

Tips: Make sure the holes align. If the holes do not align, turn the Feed Tube Body Middle 180 degree and re-try.

Hardware:

#C - 2pcs



Assembly Instructions

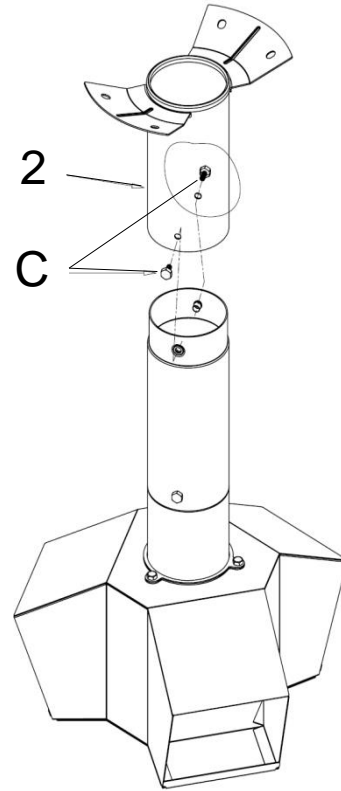
Step 3:

Attach the Feed Tube Body Top (#2) to the assembly in last step using bolts (C, M6 X 20).

Tips: Make sure the holes align. If the holes do not align, turn the Feed Tube Body Top (#2) 180 degrees and re-try.

Hardware:

#C - 2pcs



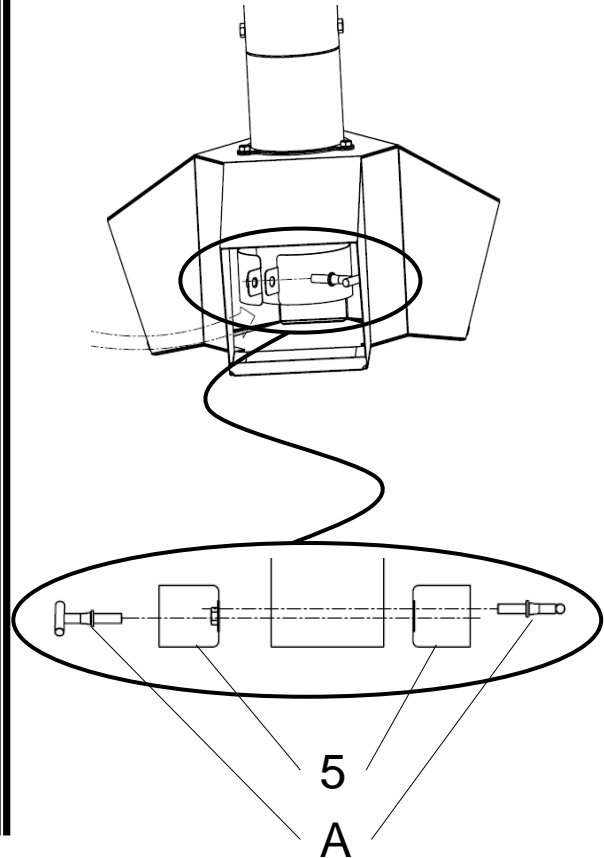
Step 4:

Assemble Ring Brackets (#5) using bolts (A, M8 X 25).

Note: The Ring Brackets (#5) can be adjusted up and down, to control the feed flow.

Hardware:

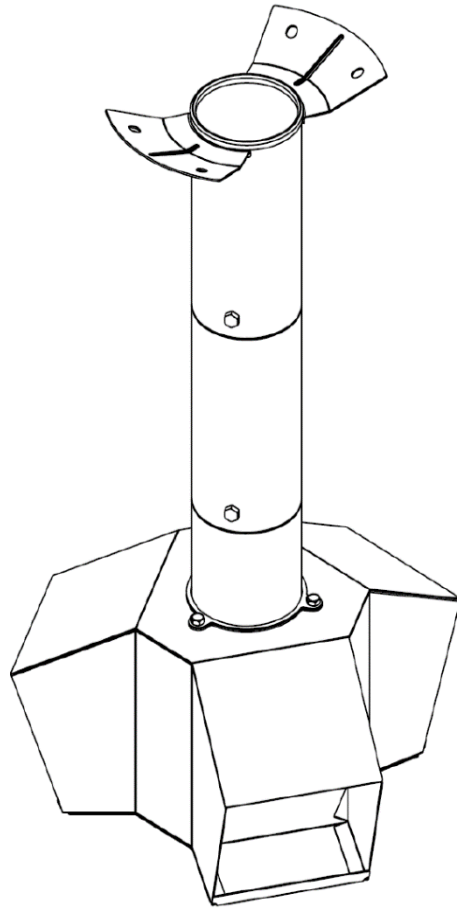
#A - 2pcs



Assembly Instructions

Step 5:

Assembly is complete.



Step 6:

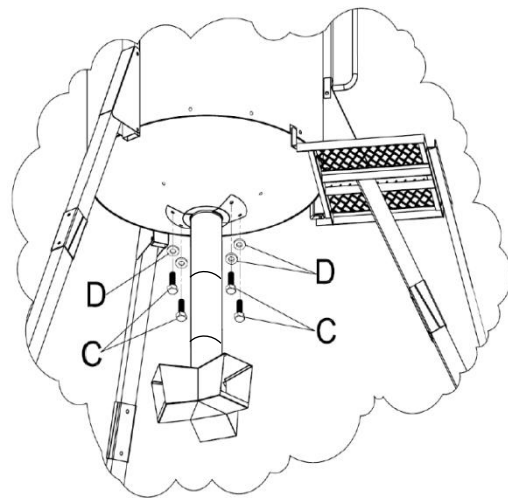
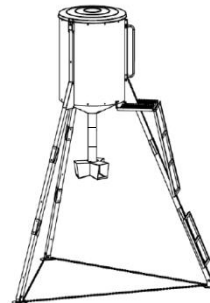
Attach the GW Universal Gravity Feed Tube to the bottom of a feeder. For example **GW 100 Gal BIG "A" VP Feeder** using bolts (C, M6 X 20) and washers (D).

Attention: When using this GW Universal Gravity Feed Tube in conjunction with other feeders with **flat bottom hoppers**, use the adapter (#1) included for assembly. Please go to **Step 7**.

Hardware:

#C – 4pcs

#D – 4pcs



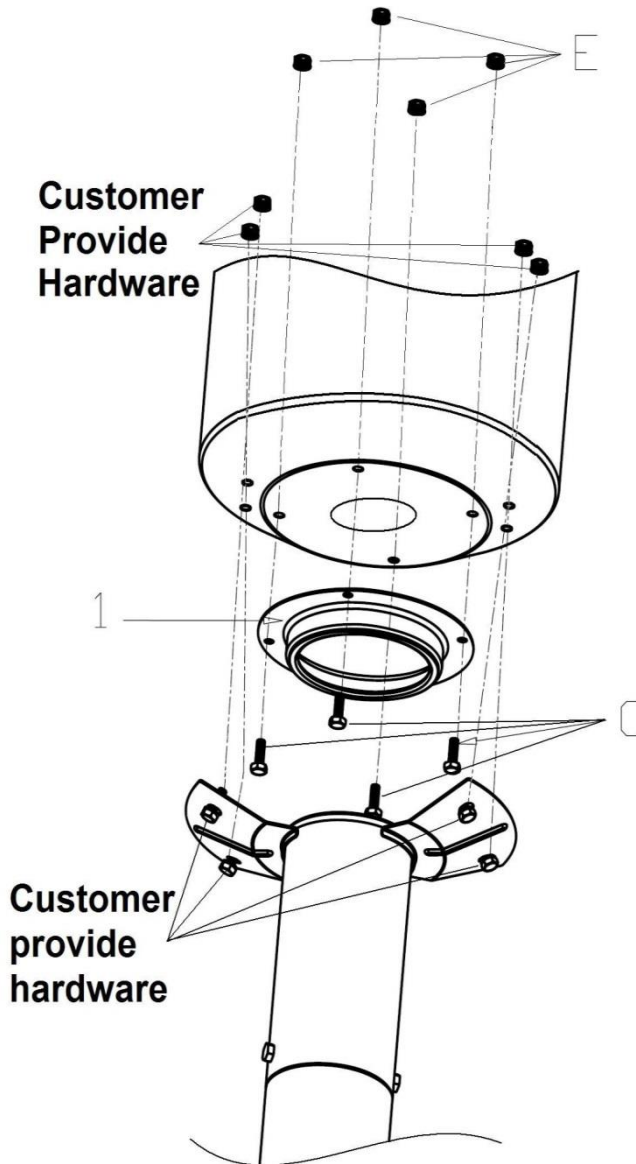
Assembly Instructions

Step 7:

Affix Adapter (#1) to the bottom of the hopper then attach GW Universal Gravity Feed Tube to the hopper bottom covering the Adapter using bolts (C, M6 X 20) and nuts (E, M6).

Note: Consumers must make sure there are holes at the bottom of the flat bottom feeder and these holes align with the holes on the components included. Hardware is included for this assembly but they may not be sufficient and suitable to the flat bottom hoppers from the market. Consumers should provide their own hardware to assure complete assembly.

Hardware:
#C – 4pcs
#E – 4pcs



Care and Maintenance

- Clean inside and outside of Feed Tube by wiping off with a damp cloth.
- Check for condensation. With the changes of temperature from hot to cool, feeders collect condensation. Particles of chaff from the feed can collect on the inside walls and bottom of the feeder, which will restrict the feed flow and also reduce the amount of feed the feeder will hold.
- Check for water. Be sure your Feed Tube is not taking on water.
- If rust appears, remove with fine grit sandpaper and touch up with spray paint.

Warranty Information

1. Manufacturer warrants this Product to be free from defects in workmanship and materials for a period of 90 days from the date of purchase, PROVIDED claims are submitted, in writing, with proof of purchase.
2. If any part of this item fails because of a manufacturing defect within the Limited Warranty Period, Manufacturer offers to replace such part(s) provide that such parts have not been improperly repaired, altered, or tampered with or subject to misuse, abuse or exposed to corrosive conditions. This Limited Warranty is, however, subject to certain limitations, exclusions, time limits and exceptions (Hereinafter "Conditions") as listed below. Read these Conditions carefully.
3. This Limited Warranty shall be limited to the replacement or repair of any part(s) which Manufacturer determines, after reasonable examination, to have been defective at the time of manufacturing and manufacturer's obligation(s) shall be limited to replacement, if any, of defective part(s) which shall be shipped at Original Purchaser's expense to Original Purchaser's designated shipping address.
4. This Limited Warranty is given to and covers the **ORIGINAL PURCHASER ONLY** and such coverage terminates 90 days from the date of purchase.
5. **DAMAGE LIMITATION WARNING:** IN NO EVENT SHALL MANUFACTURER BE LIABLE FOR ANY INCIDENTAL OR CONSEQUENTIAL DAMAGES, INCLUDING (BUT NOT LIMITED TO) LOSS OF USE OF THE PRODUCT, LOSS OF TIME, INCONVENIENCE, EXPENSES FOR TRAVEL, TRANSPORTATION, LODGING EXPENSES, LOSS BY DAMAGE TO PERSONAL PROPERTY OR LOSS OF INCOME, PROFITS OR REVENUE.
6. **MANUFACTURER'S OBLIGATION:** Manufacturer's liability shall be limited to the delivery of a good, merchantable Product and, if necessary, the repair or replacement, at manufacturer's option, of any defective part or unit.
7. **TRANSFER LIMITATIONS:** This Limited Warranty is not assignable or transferable. It covers only the original purchaser.
8. **RESERVED RIGHT TO CHANGE:** Manufacturer reserves the right to make changes or improvements to products it produces in the future without imposing on itself any obligations to install the same improvements in the products it has previously manufactured.
9. This Limited Warranty gives the Original Purchaser specific legal rights but there may be other rights which vary by jurisdiction.
10. This warranty does not cover the following items:
 - Chips or scratches on porcelain or painted surfaces
 - Rust or corrosion is not deemed a manufacturing or materials defect
 - Discoloration or loss of paint due to handling during assembly, heat or cleaning products. Paint may require touch up.

IF CUSTOMER SERVICE IS NECESSARY:

1. The Original Purchaser is responsible for shipping and handling charges of the returned item(s) and replacement parts, if any.
2. All parts to be replaced will need to be shipped before replacement items will be sent.
3. Follow the Customer Service Representative's instructions exactly. If a return is necessary, it must be packed carefully and shipped prepaid.

Should you encounter any problem,
CALL US FIRST.

Do not return product to the store.
WE CAN HELP.

Rankam (China) Manufacturing Co. Ltd.
18/F., New Lee Wah Centre, 88 Tokwawan Road,
Kowloon, Hong Kong

Please contact Customer Service at customerservice@rankam.com
or at 1-888-837-1380

Monday to Friday 8:00am – 5:00pm Pacific Standard Time