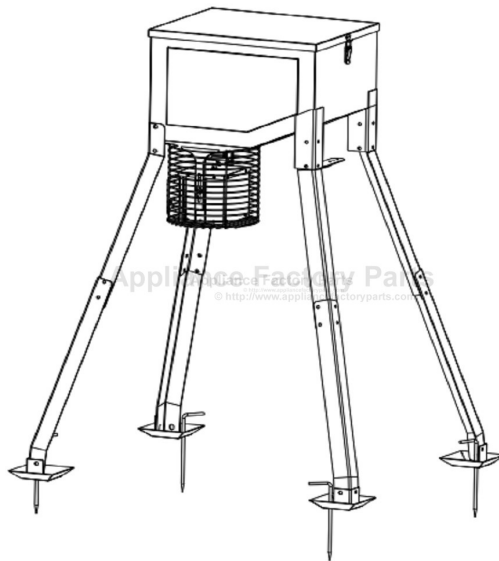


This Owner's Manual is provided and hosted by [Appliance Factory Parts](http://www.appliancefactoryparts.com).



Rankam HU2284601-GK Owner's Manual

[Shop genuine replacement parts for Rankam
HU2284601-GK](#)



[Find Your Rankam Grill Parts - Select From 123 Models](#)

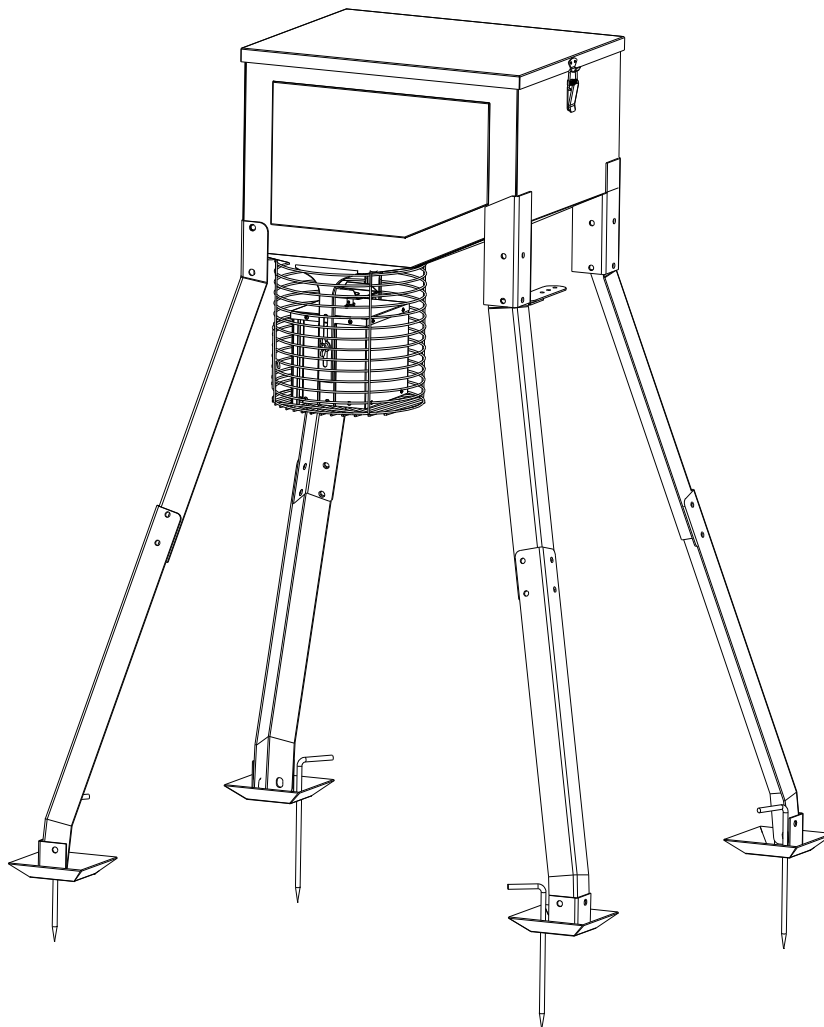
----- Manual continues below -----



100 LB WILDLIFE FEEDER

Assembly and Operating Instructions

Model # HU2284601-GK



THANK YOU for your purchase of a **Gamekeeper 100 lb Wildlife Feeder**. To ensure your personal safety, please read these instructions carefully before attempting to assemble, setup, install and/or otherwise operate this unit. The safe use and operation of this product is the sole responsibility of the user. If you should have questions about this product, please contact us at [1-\(888\) 837-1380](tel:1-888-837-1380) or email to customerservice@rankam.com.

PAY ATTENTION to these statements when reading this manual and the information contained can save your life.



DANGER: Indicates an imminently hazardous situation which, if not avoided, will result in death or serious injury.



WARNING: Be alert to the possibility of serious bodily injury if the instructions are not followed. Be sure to read and carefully follow all of the messages.



CAUTION: Indicates a potentially hazardous situation which, if not avoided, may result in minor or moderate injury.

Tools required for assembly: (Not Included) eg Pliers, Philips, Flat-head Screwdrivers, Adjustable Wrench etc.....



DANGER



Your GameKeeper Feeder is designed, engineered and constructed in a manner that makes it a rugged piece of hunting equipment that will give you years of service. This rugged construction makes your feeder physically heavy. As such, you should never attempt to assemble this feeder alone. **YOU MUST HAVE A MINIMUM OF TWO (2) ADULTS FOR THE SAFE ERECTION OF YOUR FEEDER. FAILURE TO FOLLOW THESE INSTRUCTIONS MAY RESULT IN SERIOUS INJURY OR DEATH!**



DANGER



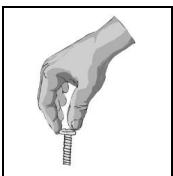
- THIS FEEDER MUST BE ERECTED ONLY ON A FIRM AND LEVEL GROUND. YOU **MUST INSTALL FOUR (4) STAKES (INCLUDED)**. FAILURE TO FOLLOW THESE INSTRUCTIONS MAY RESULT IN SERIOUS INJURY OR DEATH!
- READ AND FOLLOW ALL SAFETY STATEMENTS, WARNINGS, ASSEMBLY INSTRUCTIONS AND USE & CARE DIRECTIONS BEFORE ATTEMPTING TO ASSEMBLE. KEEP THIS MANUAL FOR FUTURE REFERENCE.
- DOUBLE CHECK THAT ALL PARTS AND HARDWARE ARE INCLUDED PRIOR TO THE ASSEMBLY. DO NOT THROW AWAY THE PACKAGING MATERIAL UNTIL ASSEMBLY IS COMPLETED.
- THIS UNIT IS HEAVY. NEVER ATTEMPT TO ASSEMBLE THIS FEEDER ALONE. SHOULD ASSEMBLE TOGETHER WITH ANOTHER ADULT. FAILURE TO FOLLOW THESE INSTRUCTIONS MAY RESULT IN SERIOUS INJURY OR DEATH!
- REFER TO THE IMAGES IN THIS MANUAL FOR VISUALIZATION OF THE ASSEMBLY PROCESS IN ADDITION TO READING THE INSTRUCTIONS.
- SOME PARTS CONTAIN SHARP EDGES – WEAR PROTECTIVE GLOVES.
- YOU MUST HAVE A MINIMUM OF TWO (2) ADULTS FOR THE SAFE ERECTION OF YOUR FEEDER. FAILURE TO FOLLOW THESE INSTRUCTIONS MAY RESULT IN SERIOUS INJURY OR DEATH!
- PRIOR TO ATTEMPTING TO USE THIS UNIT, TAKE A MOMENT TO BECOME FAMILIAR WITH THE ASSEMBLY, SETUP AND INSTALLATION. FAILURE TO FOLLOW THESE INSTRUCTIONS MAY RESULT IN SERIOUS INJURY OR DEATH!
- DO NOT USE THIS UNIT AROUND POWER GENERATING EQUIPMENT (TRANSFORMERS, GENERATORS, SUBSTATIONS, ETC) AND/OR TRANSMISSION EQUIPMENT (POWER LINES). FAILURE TO FOLLOW THESE INSTRUCTIONS MAY RESULT IN SERIOUS INJURY OR DEATH!
- DO NOT LOAD FEED WITHOUT ANOTHER ADULT. FAILURE TO FOLLOW THESE INSTRUCTIONS MAY RESULT IN SERIOUS INJURY OR DEATH!

- DO NOT CLIMB ON AND/OR LOAD FEEDER UNDER AND/OR DURING BAD WEATHER SUCH AS STORMS, SNOW, LIGHTNING OR THUNDERSTORM. FAILURE TO FOLLOW THESE INSTRUCTIONS MAY RESULTS IN SERIOUS INJURY OR DEATH!
- DO NOT SIT OR STAND ON OR INSIDE OF THE HOPPER. FAILURE TO FOLLOW THESE INSTRUCTIONS MAY RESULT IN SERIOUS INJURY OR DEATH!
- DO NOT LOAD OVER **100** POUNDS OF FEED. FAILURE TO FOLLOW THESE INSTRUCTIONS MAY RESULT IN SERIOUS DAMAGE TO THIS UNIT.
- DO NOT LOAD FEEDER UNTIL IT IS COMPLETELY ASSEMBLED AND STANDING UP IN PLACE.
- DO NOT STORE OR HANG ITEMS ON THE HOPPER. FAILURE TO FOLLOW THESE INSTRUCTIONS MAY RESULT IN SERIOUS DAMAGE TO THIS UNIT.
- DO NOT DISASSEMBLE AND/OR REMOVE PARTS WITHOUT ANOTHER ADULT PRESENT. FAILURE TO FOLLOW THESE INSTRUCTIONS MAY RESULT IN SERIOUS INJURY OR DEATH!
- DO NOT ASSEMBLE, DISASSEMBLE AND/OR REMOVE PARTS FROM THE FEEDER UNDER AND/OR DURING BAD WEATHER SUCH AS STORM, SNOW, LIGHTNING OR THUNDERSTORM. FAILURE TO FOLLOW THESE INSTRUCTIONS MAY RESULT IN SERIOUS INJURY OR DEATH!
- SHOULD THE STAKES BE LOOSE AFTER SETUP, THEN YOUR FEEDER IS NOT PROPERLY AFFIXED IN PLACE. IT IS EXTREMELY UNSAFE AND DANGEROUS. FEEDER WITH LOOSE STAKES WILL FALL DOWN, RESULTING IN SERIOUS INJURY OR DEATH.
- DO NOT LOAD THE FEEDER IF YOU FIND ANY OF PART MISSING, DAMAGED AND/OR LOOSE. FAILURE TO FOLLOW THESE INSTRUCTIONS MAY RESULT IN SERIOUS INJURY OR DEATH!
- THE RECHARGEABLE BATTERY (NOT INCLUDED) SHOULD HAVE A COMPLETE CHARGE PRIOR TO THE FIRST TIME OF OPERATION. ALWAYS REFER TO THE USER GUIDE OF THE BATTERY FOR DIRECTION.
- THE PROPER SPACING BETWEEN THE SPIN PLATE AND THE FUNNEL IS 3/8 INCH. THIS IS VERY IMPORTANT FOR SERVICE FREE OPERATION.

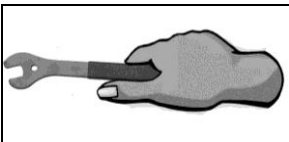
- TESTING THE FEEDER WILL CAUSE THE MOTOR TO SPIN AT A VERY HIGH VELOCITY. DO NOT TEST FEEDER WHEN IT CONTAINS FEED. TEST FEEDER WHEN EMPTY ONLY! TESTING THE FEEDER WHILE IT CONTAINS FEED WILL CAUSE FEED TO BE DISCHARGED AT A HIGH VELOCITY AND COULD RESULT IN BODY INJURY. FAILURE TO FOLLOW THESE INSTRUCTIONS MAY RESULT IN SERIOUS INJURY OR DEATH!
- THOROUGHLY INSPECT THE FEEDER PRIOR TO EACH USE FOR SIGNS OF WEAR, ROT, CORROSION, CRACKS, DETERIORATION AND/OR ANY OTHER TYPE OF DEFECT. DO NOT USE THIS FEEDER IF IT SHOWS EVIDENCE OF WEAR, ROT, CORROSION, CRACKS, DETERIORATION AND/OR ANY OTHER TYPE OF DEFECT. FAILURE TO FOLLOW THESE INSTRUCTIONS MAY RESULT IN SERIOUS INJURY OR DEATH. DO NOT REMOVE, MODIFY AND/OR OMIT ANY PART OR OTHERWISE MECHANICALLY MODIFY THIS UNIT OR ITS ASSEMBLY IN ANY MANNER. MODIFICATION, OMISSION AND/OR PART SUBSTITUTION MAY RESULT IN SERIOUS INJURY OR DEATH!

IF YOU SUSPECT THAT A PART(S) IS MISSING AND/OR DEFECTIVE, IMMEDIATELY CONTACT TOLL-FREE [1-\(888\) 837-1380](tel:1-888-837-1380) FOR REPLACEMENT OF MISSING OR DEFECTIVE PARTS.

Symbol: The following symbols will be shown in assembly procedures for indication of tightening the bolt and nut if necessary.

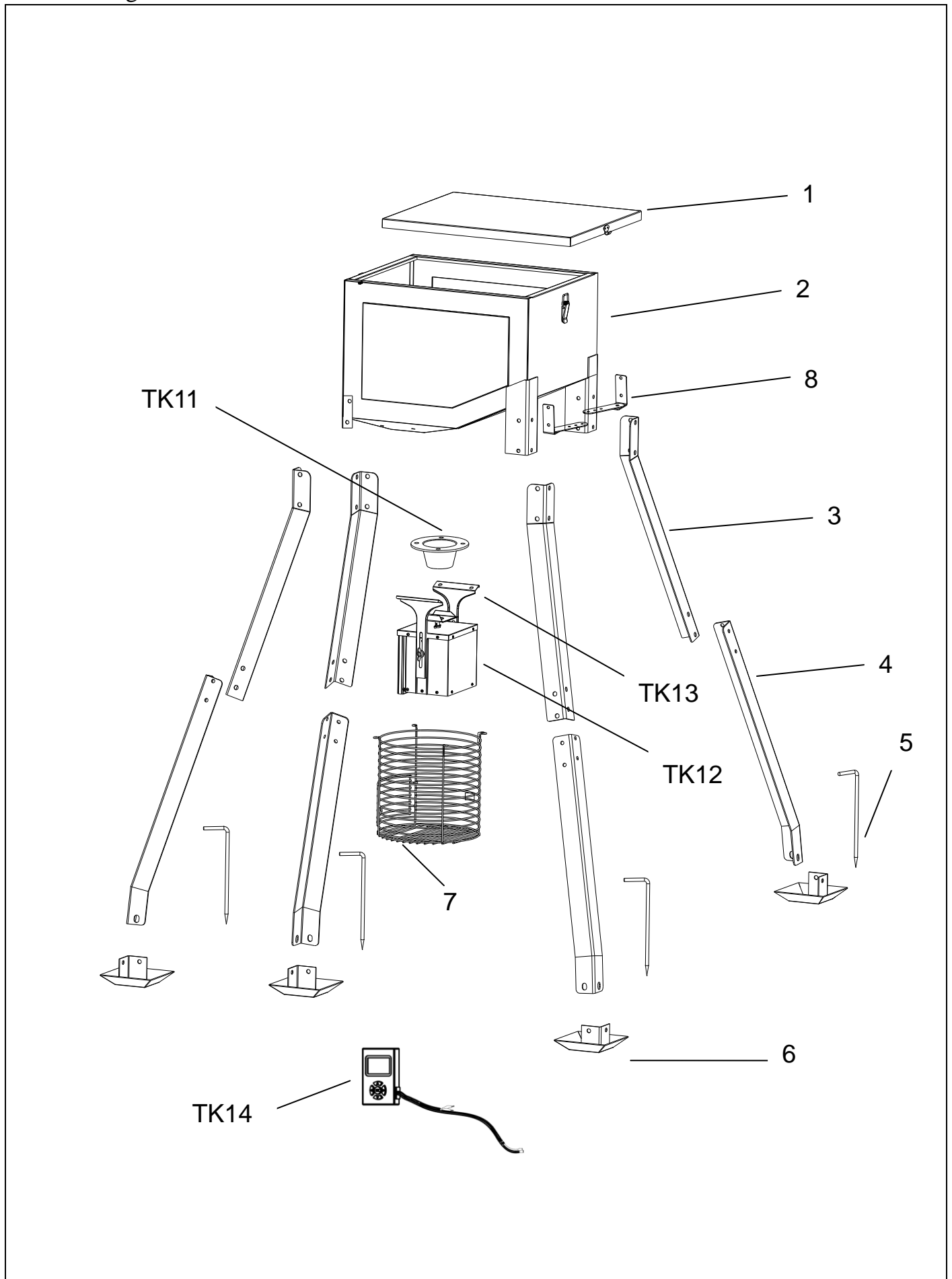


Hand Tighten only at this time

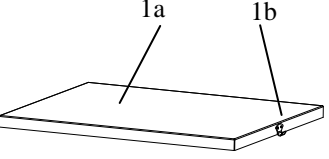
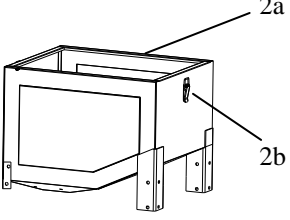
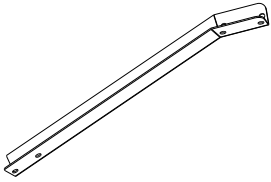
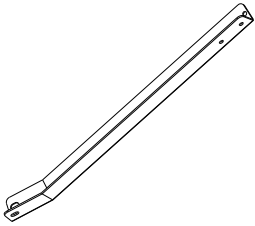
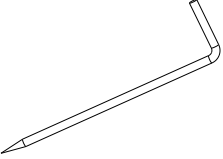
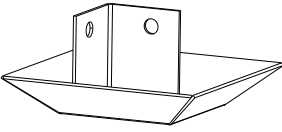
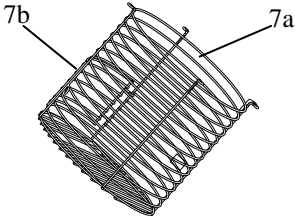
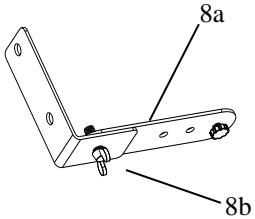


Tighten with tools at this time

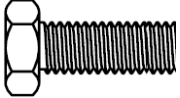
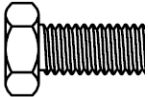

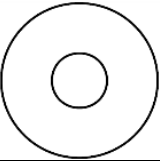
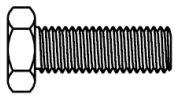


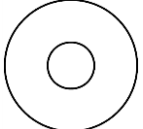
Product Diagram



Component List – For Feeder

<p>1. Lid</p>  <p>1a. lid 1b. lock catcher</p> <p style="text-align: right;">1 pc</p>	<p>2. Hopper Body</p>  <p>2a. body 2b. lock latch</p> <p style="text-align: right;">1 pc</p>	<p>3. Upper Leg</p>  <p style="text-align: right;">4 pcs</p>	<p>4. Lower Leg</p>  <p style="text-align: right;">4 pcs</p>
<p>5. Stakes</p>  <p style="text-align: right;">4 pcs</p>	<p>6. Feet</p>  <p style="text-align: right;">4 pcs</p>	<p>7. Varmint Guard</p>  <p>7a. guard 7b. door lock wing bolt</p> <p style="text-align: right;">1 pc</p>	<p>8. Camera Mounting Bracket</p>  <p>8a. bracket 8b. wing bolt</p> <p style="text-align: right;">2 pcs</p>

Hardware List – For Feeder

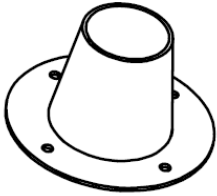
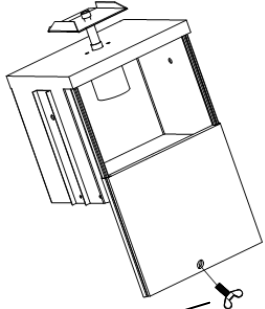
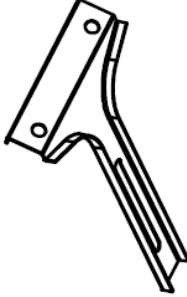
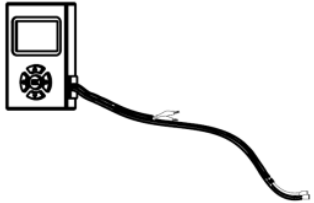
Item No.	Item Name	Diagram	Qty
A	Hex. Bolt (M8x20)		4 pcs
B	Hex. Bolt (M8x15)		40 pcs
C	Locking Nut (M8)		44 pcs
D	Flat Washer (M8)		84 pcs
E	Hex. Bolt (M6x20)		4 pcs
F	Locking Nut (M6)		4 pcs
G	Camera Mounting Bolt		2 pcs
H	Flat Washer (M6)		4 pcs

Timer Kit – Component and Hardware

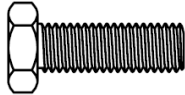
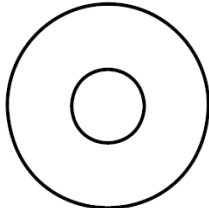
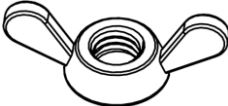

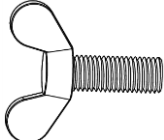
Model #: PT2161403-GK-TMR

!! Component and Hardware are packed INSIDE the Timer Kit package!!

Component List – For Timer Kit

<p>TK11. Funnel</p>  <p>1 pc</p>	<p>TK12. Timer Housing</p>  <p>Wing bolt 1 pc</p>	<p>TK13. Mounting Bracket</p>  <p>2 pcs</p>	<p>TK14. Feed Timer</p>  <p>1 pc</p>
---	--	---	---

Hardware List – For Timer Kit

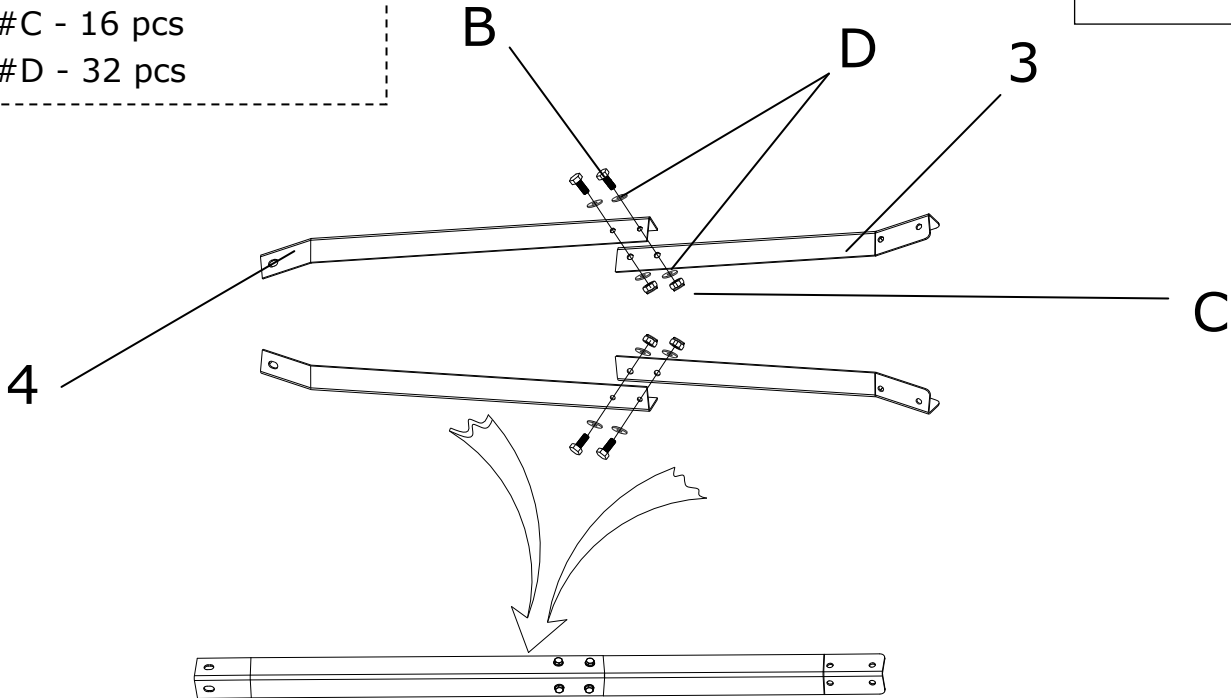
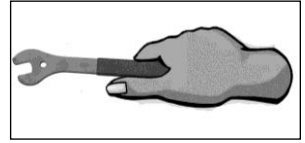
Item No.	Item Name	Diagram	Qty
M	Hex. Bolt (M6x20)		10 pcs
N	Flat Washer (M6)		2 pcs
P	Butterfly Nut (M6)		2 pcs
Q	Flange Nut (M6)		2 pcs
R	Wing Bolt		1 pc

Assembly Procedures

Step 1. Attach Upper Leg (#3) to Lower Leg (#4) as per below. **Tighten bolts with tool.**

Hardware required:

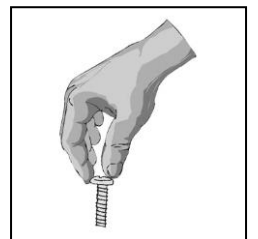
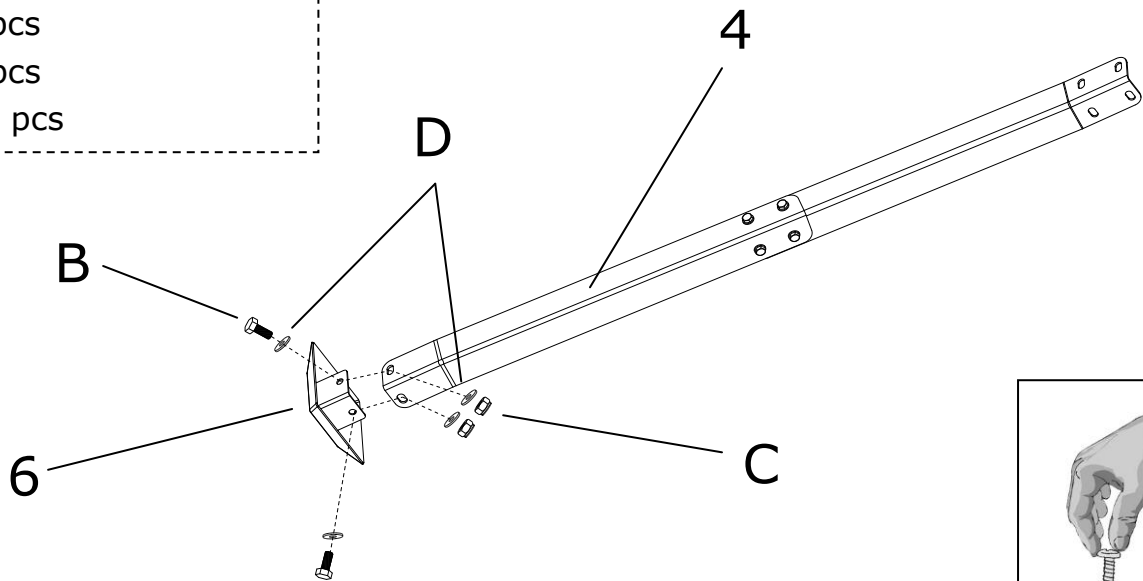
- #B - 16 pcs
- #C - 16 pcs
- #D - 32 pcs



Step 2. Attach Feet (#6) to leg assemblies in Step #1. **Hand tighten bolts only!**

Hardware required:

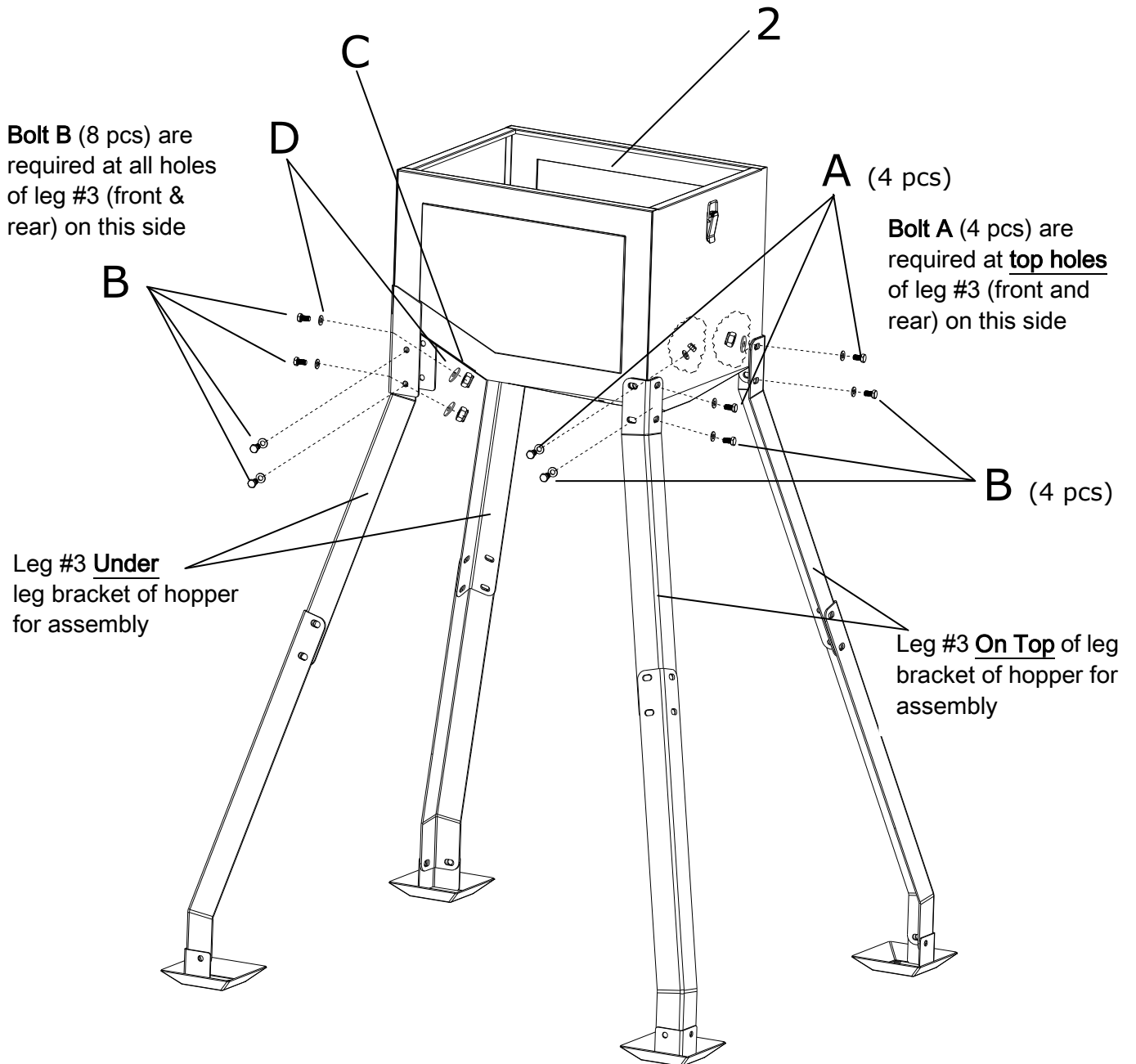
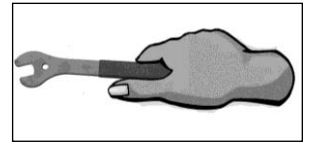
- #B - 8 pcs
- #C - 8 pcs
- #D - 16 pcs



Step 3. Attach leg assemblies in Step #2 to Hopper Body (#2). **Erect the feeder on level ground before Tighten all bolts in Step #2 and #3 with tool.**

Hardware required:

- #A – 4 pcs
- #B – 12 pcs
- #C – 16 pcs
- #D – 32 pcs

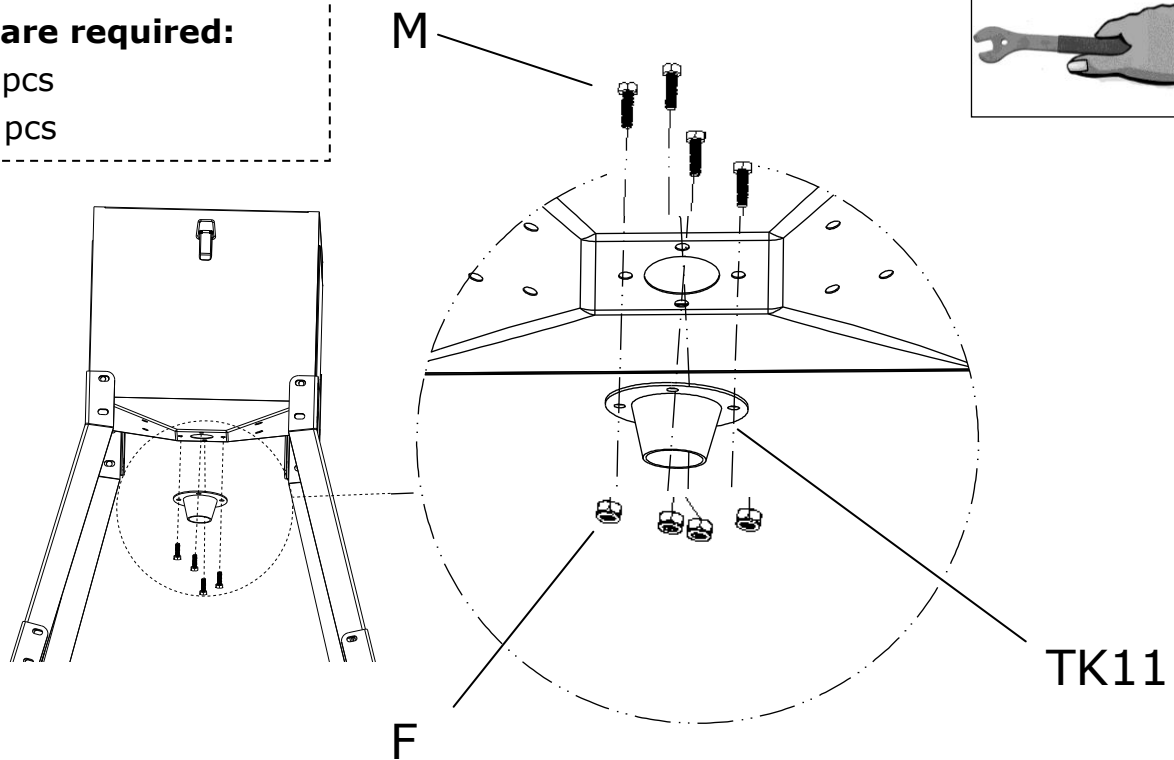


Step 4. Attach Funnel (#TK11) to the hopper. **Tighten bolts with tool.**

Hardware required:

#F - 4 pcs

#M - 4 pcs



Step 5. Assembly of Timer Kit. **Hand tighten bolts**

Hardware required:

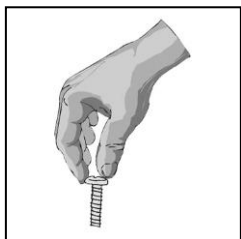
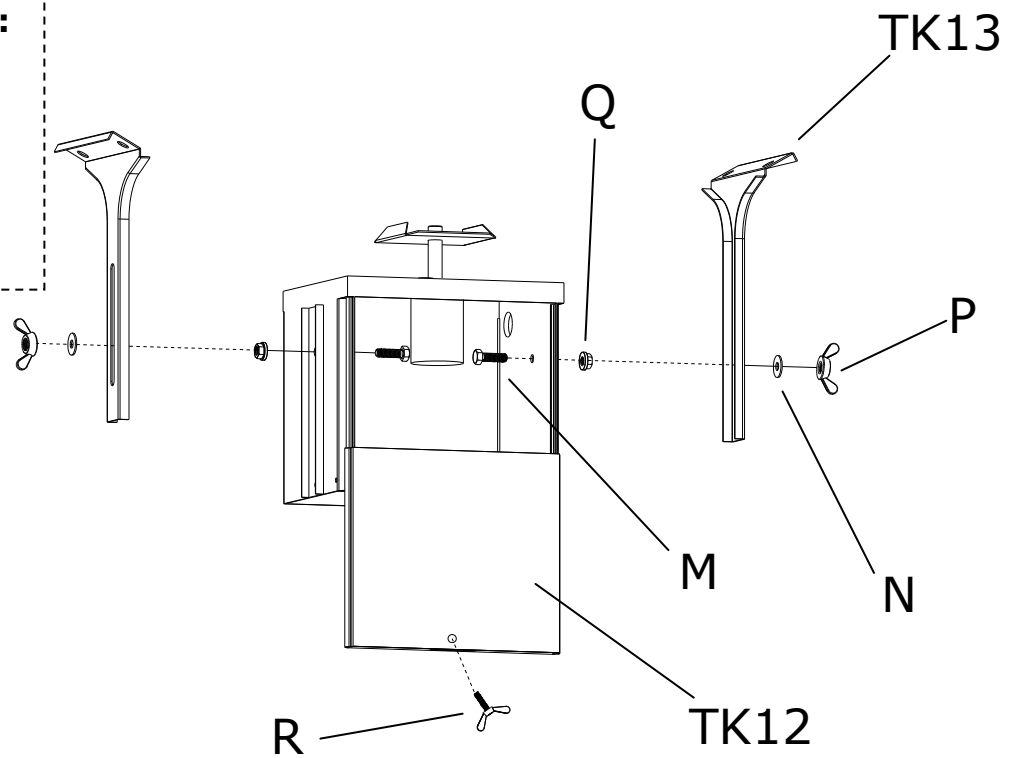
#M - 2 pcs

#N - 2 pcs

#P - 2 pcs

#Q - 2 pcs

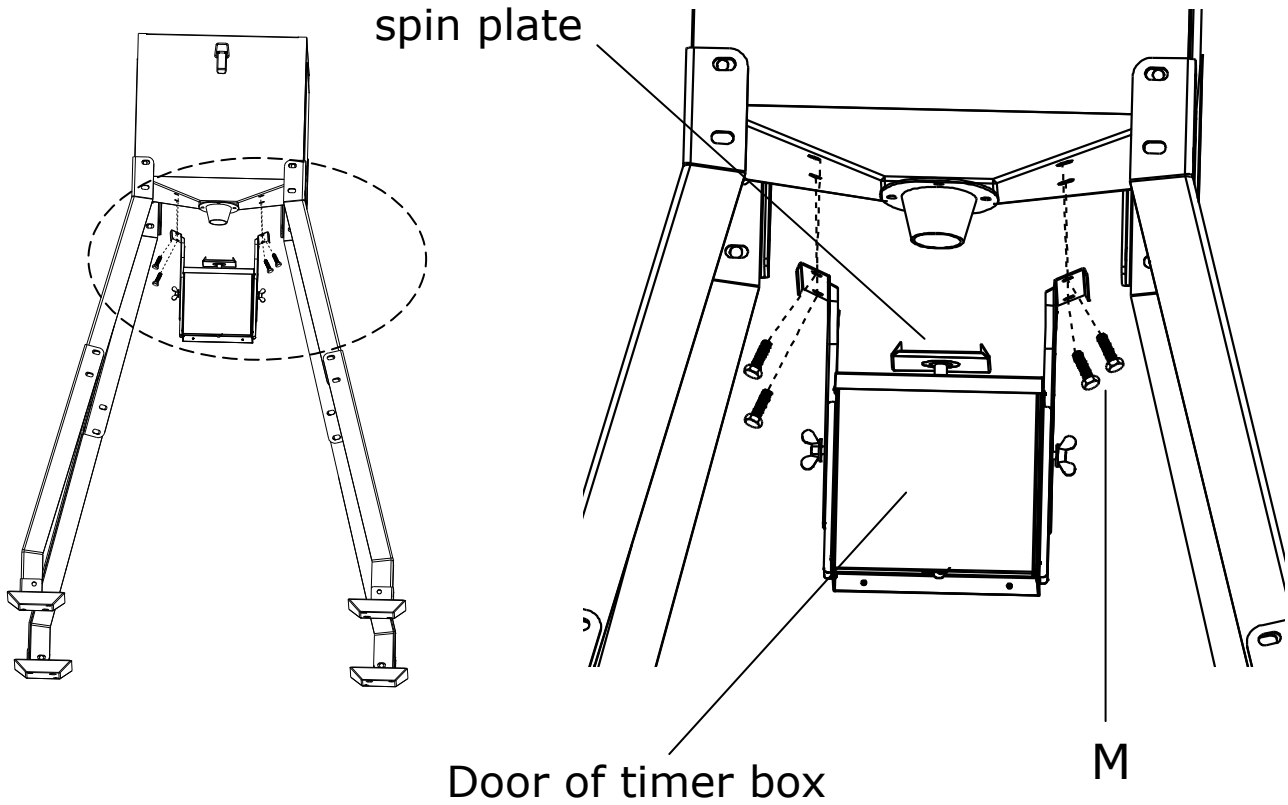
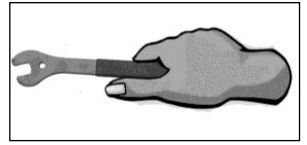
#R - 1 pc



Step 6. Attach Timer Kit to Hopper. **Adjust Spin Plate to funnel distance to 3/8". Tighten bolts with tool**

Hardware required:

#M - 4 pcs



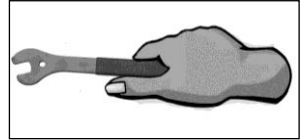
Notes:

Door of Timer Box faces out (side of hopper)
Adjust Spin Plate to funnel distance to 3/8"

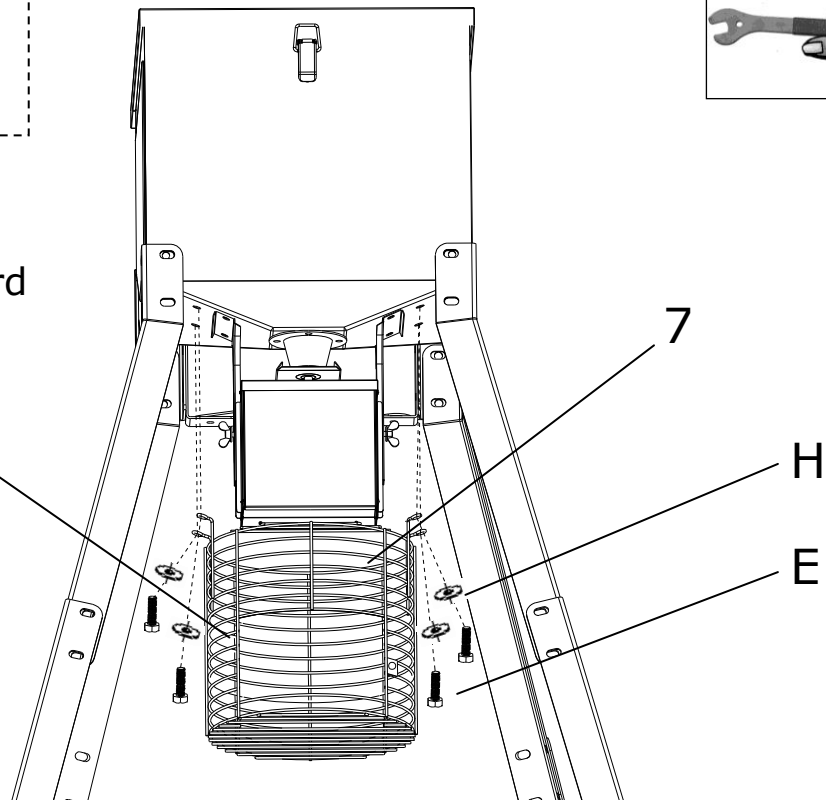
Step 7. Attach Varmint Guard (#7) to hopper. *Tighten bolts with tool.*

Hardware required:

- #E - 4 pcs
- #H - 4 pcs



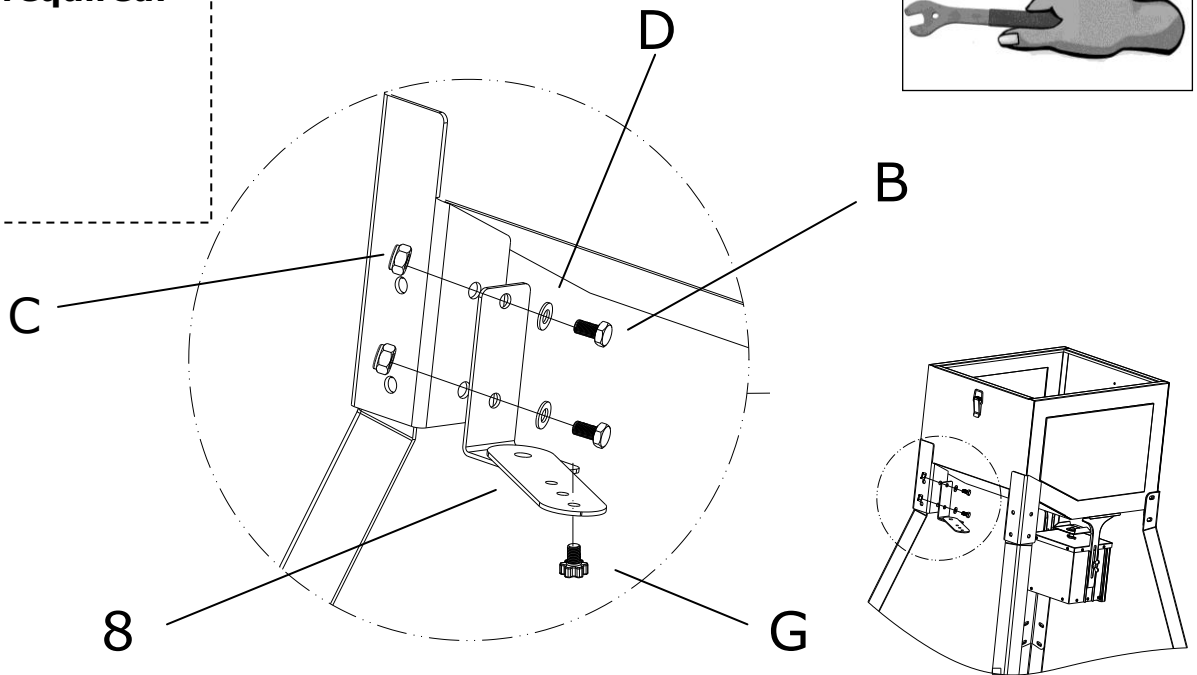
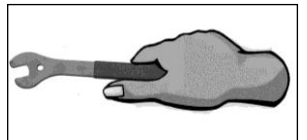
Door of Varmint Guard aligns with door of Timer Kit



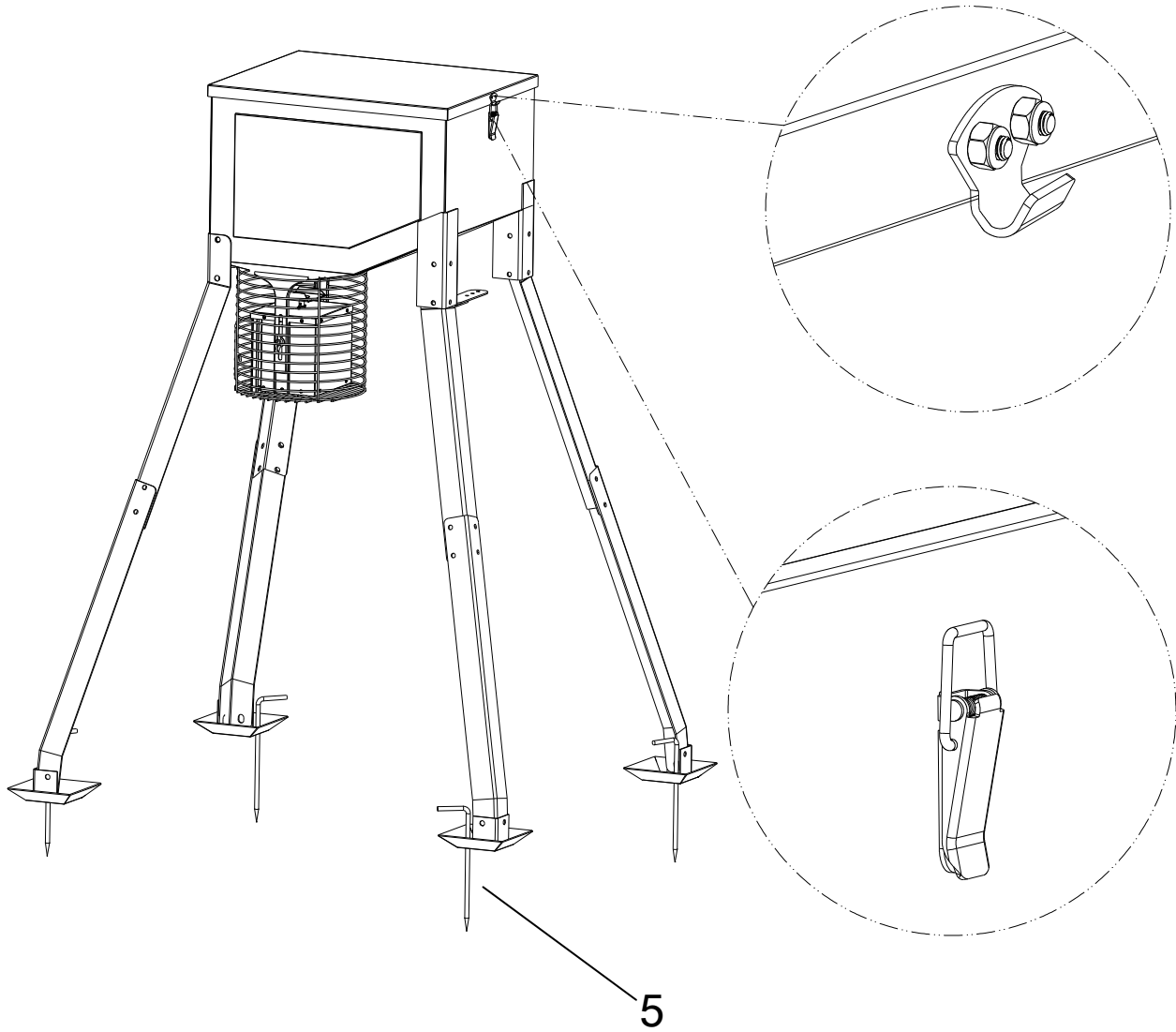
Step 8. Attach a Camera Mounting Bracket (#8) to Hopper. User may attach another Camera Mounting Bracket in the same manner.

Hardware required:

- #B - 4 pcs
- #C - 4 pcs
- #D - 4 pcs
- #G - 2 pcs



Step 9. Put the lid on hopper body and lock it. Affix the feeder to the ground with Stakes (#5).



YOUR FEEDER IS COMPLETELY ASSEMBLED, BUT...



DANGER



BEFORE STANDING UP THE FEEDER, YOU MUST...

- CHECK ALL HARDWARE TO BE SURE IT IS IN PLACE AND TIGHT.
- CHECK ALL BOLTS AND NUTS TO BE SURE THEY ARE FIRM AND TIGHT.
- CHECK ALL STAKES (#5), A TOTAL OF FOUR (4) PIECES TO BE SURE THEY ARE IN THE PROPER PLACE AND TIGHT. IF YOU FIND THE STAKES ARE LOOSE AFTER ASSEMBLY, YOUR FEEDER IS NOT PROPERLY SET UP. IT IS EXTREMELY UNSAFE AND DANGEROUS. A FEEDER WITH LOOSE STAKES MAY MOVE OR EVEN COLLAPSE, RESULTING IN SERIOUS INJURY OR DEATH.



WARNING



AFTER CONFIRMING ALL OF THE ABOVE, YOU MUST...

- HAVE A MINIMUM OF TWO (2) ADULTS FOR THE SAFE ERECTION OF YOUR FEEDER. FAILURE TO FOLLOW THIS INSTRUCTION MAY RESULT IN SERIOUS INJURY OR DEATH!
- THIS FEEDER MUST BE ERECTED ONLY ON FIRM AND LEVEL GROUND. YOU MUST PLACE YOUR FEEDER IN THE DESIRED AREA AND LEVEL IT BEFORE INSTALLING FOUR (4) STAKES (INCLUDED). FAILURE TO FOLLOW THESE INSTRUCTIONS MAY RESULT IN SERIOUS INJURY OR DEATH.
- DO NOT LOAD FEEDER UNTIL IT IS COMPLETELY ASSEMBLED.
- DO NOT LOAD FEEDER UNTIL IT IS STANDING UP AND IN PLACE.
- THE PROPER SPACING BETWEEN THE SPIN PLATE AND THE FUNNEL IS 3/8 INCH. THIS IS VERY IMPORTANT FOR SERVICE- FREE OPERATION.



WARNING





! IMPORTANT !

THE MANUFACTURER OF THE GAME FEEDER IS NOT RESPONSIBLE FOR ANY INACCURATE INFORMATION YOU HAVE RECEIVED REGARDING STATE FEEDING REGULATIONS. PLEASE ALWAYS KEEP YOUR INFORMATION UP-TO-DATE AND RELIABLE. MANY STATE LAWS CHANGE AND ARE AMENDED WITHOUT NOTICE. ALWAYS DOUBLE CHECK YOUR STATE AND SPECIFIC COUNTY FEEDING LAWS REGARDING THE USE OF FEEDERS.

TIPS & POINTERS:

(Q) What kind of feed should I use?

(A) Whole kernel corn is recommended. Whole kernel corn mixed with soybeans or pellets is also effective for attracting deer. NOTE: When not mixed with corn, some types of pellets can take on moisture and clog the feeder.

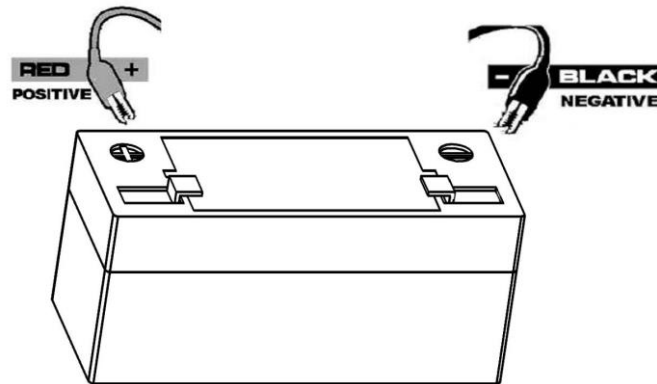
	<h1>DANGER</h1>	
<ul style="list-style-type: none">● DO NOT LOAD FEEDER UNDER AND/OR DURING BAD WEATHER SUCH AS RAIN STORMS, SNOW, LIGHTNING OR THUNDERSTORMS. FAILURE TO FOLLOW THESE INSTRUCTIONS MAY RESULT IN SERIOUS INJURY OR DEATH! ● DO NOT LOAD FEED WITHOUT ANOTHER ADULT PRESENT. FAILURE TO FOLLOW THESE INSTRUCTIONS MAY RESULT IN SERIOUS INJURY OR DEATH! ● DO NOT SIT OR STAND ON OR INSIDE THE HOPPER. FAILURE TO FOLLOW THESE INSTRUCTIONS MAY RESULT IN SERIOUS INJURY OR DEATH! ● DO NOT LOAD OVER 100 POUNDS OF FEED. FAILURE TO FOLLOW THESE INSTRUCTIONS MAY RESULT IN SERIOUS DAMAGE TO THIS UNIT. ● DO NOT LOAD FEEDER UNTIL IT IS COMPLETELY ASSEMBLED AND STANDING UP IN PLACE. ● DO NOT LOAD THE FEEDER IF YOU FIND ANY OF PART #5 (STAKES) MISSING, DAMAGED AND/OR LOOSE. FAILURE TO FOLLOW THESE INSTRUCTIONS MAY RESULT IN SERIOUS INJURY OR DEATH!		



CAUTION



HOW TO INSTALL BATTERY



REMOVE TIMER KIT COVER AND INSTALL A RECHARGEABLE BATTERY (NOT INCLUDED) BY ATTACHING RED ALLIGATOR CLIP TO THE POSITIVE TERMINAL (+) AND BLACK ALLIGATOR CLIP TO THE NEGATIVE (-) TERMINAL.



WARNING



- **THE RECHARGEABLE BATTERY (NOT INCLUDED) SHOULD HAVE A COMPLETE CHARGE PRIOR TO FIRST TIME OPERATION. ALWAYS REFER TO THE USER GUIDE OF THE BATTERY FOR DIRECTION.**
- **CONNECTING THE BATTERY IN ANY OTHER WAY WILL PERMANENTLY DAMAGE YOUR UNIT. TAKE EXTREME CARE TO MAKE THIS CONNECTION PROPERLY. FAILURE TO FOLLOW THESE INSTRUCTIONS MAY RESULT IN SERIOUS INJURY OR DEATH.**



CAUTION



HOW TO OPERATE THE TIMER

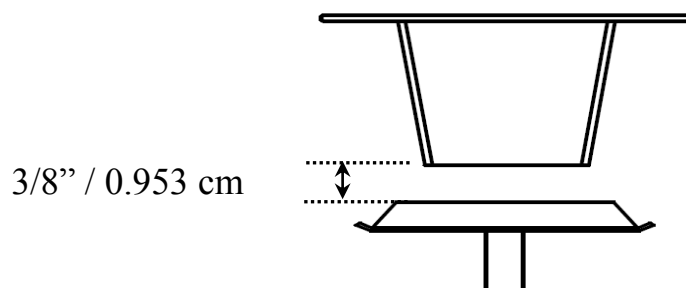
READ THE OPERATION MANUAL INCLUDED IN THE TIMER KIT.



ATTENTION



THE PROPER SPACING BETWEEN THE SPIN PLATE AND THE FUNNEL IS 3/8 INCH (0.953 cm). THIS IS VERY IMPORTANT FOR SERVICE- FREE OPERATION.



WARNING



- **TESTING THE FEEDER WILL CAUSE THE MOTOR TO SPIN AT A VERY HIGH VELOCITY. DO NOT TEST FEEDER WHEN IT CONTAINS FEED. TEST FEEDER WHEN EMPTY ONLY! TESTING THE FEEDER WHILE IT CONTAINS FEED WILL CAUSE FEED TO BE DISCHARGED AT A HIGH VELOCITY AND WILL RESULT IN BODILY HARM. FAILURE TO FOLLOW THESE INSTRUCTIONS MAY RESULT IN SERIOUS INJURY.**
- **OPERATION IS SUBJECT TO THE FOLLOWING TWO CONDITIONS:**
 - **THIS DEVICE MAY NOT CAUSE HARMFUL INTERFERENCE.**
 - **THE DEVICE MUST ACCEPT ANY INTERFERENCE RECEIVED, INCLUDING INTERFERENCE THAT MAY CAUSE UNDESIRED OPERATION.**

- **DO NOT USE THIS UNIT AROUND POWER GENERATING EQUIPMENT (TRANSFORMERS, GENERATORS, SUBSTATIONS, ETC) AND/OR POWERTRANSMISSION EQUIPMENT (POWER LINES). FAILURE TO FOLLOW THESE INSTRUCTIONS MAY RESULT IN SERIOUS INJURY OR DEATH.**

KEEP THIS MANUAL FOR FUTURE REFERENCE.

Should you encounter any problem, need assistance with assembly, have questions about this product or have missing or defective parts,

Please contact Customer Service at

Rankam (China) Manufacturing Company Limited

1-888-837-1380

Monday thru Friday 8 A.M. to 5 P.M. Pacific Standard Time

or by email

customerservice@rankam.com

WE CAN HELP.

Made in China

LIMITED WARRANTY

1. Manufacturer warrants this Product to be free from defects in workmanship and materials for a period of ninety days from the date of purchase, PROVIDED claims are submitted, in writing, with proof of purchase.
2. If any part of this item fails because of a manufacturing defect within the Limited Warranty Period, Manufacturer offers to replace such part(s) provide that such parts have not been improperly repaired, altered, or tampered with or subject to misuse, abuse or exposed to corrosive conditions. This Limited Warranty is, however, subject to certain limitations, exclusions, time limits and exceptions (Hereinafter "Conditions") as listed below. Read these Conditions carefully.
3. This Limited Warranty shall be limited to the replacement or repair of any part(s) which Manufacturer determines, after reasonable examination, to have been defective at the time of manufacturing and manufacturer's obligation(s) shall be limited to replacement, if any, of defective part(s) which shall be shipped at Original Purchaser's expense to Original Purchaser's designated shipping address.
4. This Limited Warranty is given to and covers the **ORIGINAL PURCHASER ONLY** and such coverage terminates ninety days from the date of purchase.
5. **DAMAGE LIMITATION WARNING:** IN NO EVENT SHALL MANUFACTURER BE LIABLE FOR ANY INCIDENTAL OR CONSEQUENTIAL DAMAGES, INCLUDING (BUT NOT LIMITED TO) LOSS OF USE OF THE PRODUCT, LOSS OF TIME, INCONVENIENCE, EXPENSES FOR TRAVEL, TRANSPORTATION, LODGING EXPENSES, LOSS BY DAMAGE TO PERSONAL PROPERTY OR LOSS OF INCOME, PROFITS OR REVENUE.
6. **MANUFACTURER'S OBLIGATION:** Manufacturer's liability shall be limited to the delivery of a good, merchantable Product and, if necessary, the repair or replacement, at manufacturer's option, of any defective part or unit.
7. **TRANSFER LIMITATIONS:** This Limited Warranty is not assignable or transferable. It covers only the original purchaser.
8. **RESERVED RIGHT TO CHANGE:** Manufacturer reserves the right to make changes or improvements to products it produces in the future without imposing on itself any obligations to install the same improvements in the products it has previously manufactured.
9. This Limited Warranty gives the Original Purchaser specific legal rights but there may be other rights which vary by jurisdiction.
10. This warranty does not cover the following items:
 - Chips or scratches on painted surfaces
 - Rust or corrosion is not deemed a manufacturing or materials defect
 - Discoloration or loss of paint due to handling during assembly or cleaning products. Paint may require touch up.
 - Consumables such as batteries

IF CUSTOMER SERVICE IS NECESSARY:

1. The Original Purchaser is responsible for shipping and handling charges of the returned item(s) and replacement parts, if any.
2. All parts to be replaced will need to be shipped before replacement items will be sent.
3. Follow the Customer Service Representative's instructions exactly. If a return is necessary, it must be packed carefully and shipped prepaid.

Rankam (China) Manufacturing Company Limited

18 F., New Lee Wah Centre
88 Tokwawan Road, Kowloon, Hong Kong

~