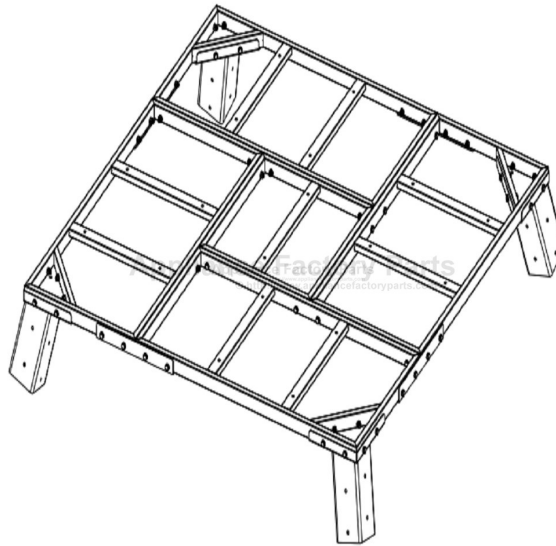


This Owner's Manual is provided and hosted by [Appliance Factory Parts](#).



Rankam HU2285201-GK Owner's Manual

[Shop genuine replacement parts for Rankam
HU2285201-GK](#)



[Find Your Rankam Grill Parts - Select From 123 Models](#)

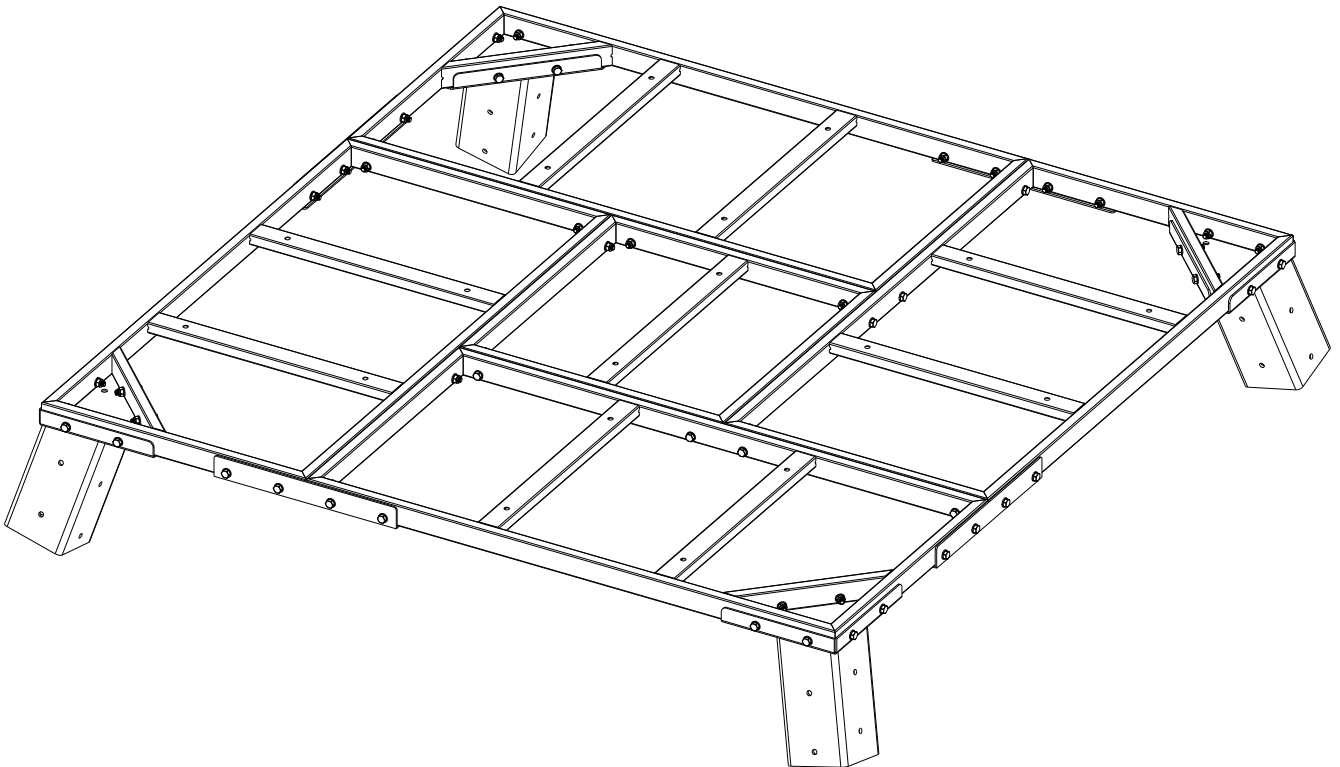
----- Manual continues below -----



Hunting Deck


Assembly and Operating Instructions


Model # HU2285201-GK




THANK YOU for your purchase of a **Gamekeeper Hunting Deck**. To ensure your personal safety, please read these instructions carefully before attempting to assemble, setup, install and/or otherwise operate this unit. The safe use and operation of this product is the sole responsibility of the user. If you should have questions about this product, please contact us at [1-\(888\) 837-1380](tel:1-888-837-1380) or email to customerservice@rankam.com.



PAY ATTENTION to these statements when reading this manual and the information contained can save your life.

 **DANGER:** Indicates an imminently hazardous situation which, if not avoided, will result in death or serious injury.

 **WARNING:** Be alert to the possibility of serious bodily injury if the instructions are not followed. Be sure to read and carefully follow all of the messages.

 **CAUTION:** Indicates a potentially hazardous situation which, if not avoided, may result in minor or moderate injury.

Tools required for assembly: (Not Included) Pliers, Philips, Flat-head Screwdrivers, Adjustable Wrench etc

	<h1>DANGER</h1>	
<ul style="list-style-type: none">● Your Hunting Deck is designed, engineered and constructed in a manner that makes it a rugged piece of hunting equipment that will give you years of service. Rugged construction makes your hunting deck very heavy. As such, you should never attempt to assemble and take down this hunting deck alone. You must have a minimum of three (3) adults for the safe erection of your hunting deck. Failure to follow these instructions may result in serious injury or death!● Fall may occur any time after leaving the ground causing injury or death.● Furnish this instruction manual to anyone who borrows or purchases this hunting deck.		



DANGER



- Read and follow all safety statements, warnings, assembly instructions and use & care directions before attempting to assemble and use. Failure to do so could result in injury or death.
- Keep this manual for future reference and review it at least annually. Contact the manufacturer's customer service for any questions.
- Double check that all parts and hardware are included prior to the assembly. Do not throw away the packaging material until assembly is completed.
- Prior to attempting to use this unit, take a moment to become familiar with the assembly, setup and installation. Refer to the images in this manual for visualization of the assembly process in addition to reading the instructions.
- This rugged construction makes your hunting deck very heavy. You should never attempt to assemble and take down this hunting deck without the assistance of at least two (2) adults.
- You must have a minimum of three (3) adults for the safe erection of your hunting deck. Failure to follow these instructions may result in serious injury or death!
- Some parts may contain sharp edges – wear protective gloves.
- This hunting deck **must** be erected only on firm and level ground. Failure to follow these instructions may result in serious injury or death!
- This hunting deck is designed to accommodate **one or two** users at a time. Do not try to accommodate more than two persons.
- The weight ratings are **300 lb for one person and 500 lb for two persons**. Never exceed these weight ratings when using this hunting deck
- This hunting deck is designed for adult use only. Never allow anyone age 16 years and under climb on this product
- Never use this hunting deck when feeling ill, nauseous or dizzy, or if you have a prior medical condition that could cause a problem ie., heart condition, joints that lock-up, spinal fusions etc. Or if you are not well rested.
- Never use this hunting deck while you are under the influence of alcohol or/and drugs (even prescription drugs)
- Never jump or bounce on this hunting deck
- Pull up hunting equipment only after the user has secured themselves on the hunting deck
- Firearms must be pulled up unloaded, chambers opened, and muzzles down
- Always inform someone of your hunting location and, the date and time of your hunt.

- Carry a signaling device such as a mobile phone, a whistle or a flashlight and have it readily available at all times
- Do not use this unit around power generating equipment (transformers, generators, substations, etc) and/or transmission equipment (power lines). Failure to follow these instructions may result in serious injury or death.
- Do not climb on the hunting deck during bad weather such as storms, snow, lightning or thunderstorm. Failure to follow these instructions may results in serious injury or death!
- Do not use/climb the hunting deck until it is completely assembled and standing up in place
- Do not disassemble and/or remove parts without another two adults present. You must have a minimum of three (3) adults for the safe disassembly of your hunting deck. Failure to follow these instructions may result in serious injury or death!
- Do not assemble, disassemble and/or remove parts otherwise use the hunting deck under and/or during bad weather such as storms, snow, lightning or thunderstorms. Failure to follow these instructions may result in serious injury or death!
- Do not remove, modify and/or omit any part or otherwise mechanically modify this unit or its assembly in any manner. Modification, omission and/or part substitution may result in serious injury or death!
- Thoroughly inspect the hunting deck prior to each use for signs of rust, wear, rot, corrosion, cracks, deterioration and/or any other type of defect. Do not use this hunting deck if it shows evidence of rust wear, rot, corrosion, cracks, deterioration and/or any other type of defect. Failure to follow these instructions may result in serious injury or death.
- Do not store this hunting deck outdoor when not in use
- Appropriate maintenance of this hunting deck is recommended.
- Must inspect thoroughly the entire hunting deck every time you use this hunting deck.

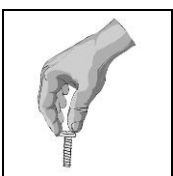
PROPER CARE AND MAINTENANCE

Disassemble the hunting deck when not in use

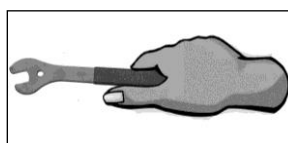
Store hunting deck in safe and dry place to avoid corrosion

IF YOU SUSPECT THAT A PART(S) IS MISSING AND/OR DEFECTIVE, IMMEDIATELY CONTACT TOLL-FREE **1-(888) 837-1380** FOR REPLACEMENT OF MISSING OR DEFECTIVE PARTS.

Symbol: The following symbols will be shown in assembly procedures for indication of tightening the bolt and nut if necessary.

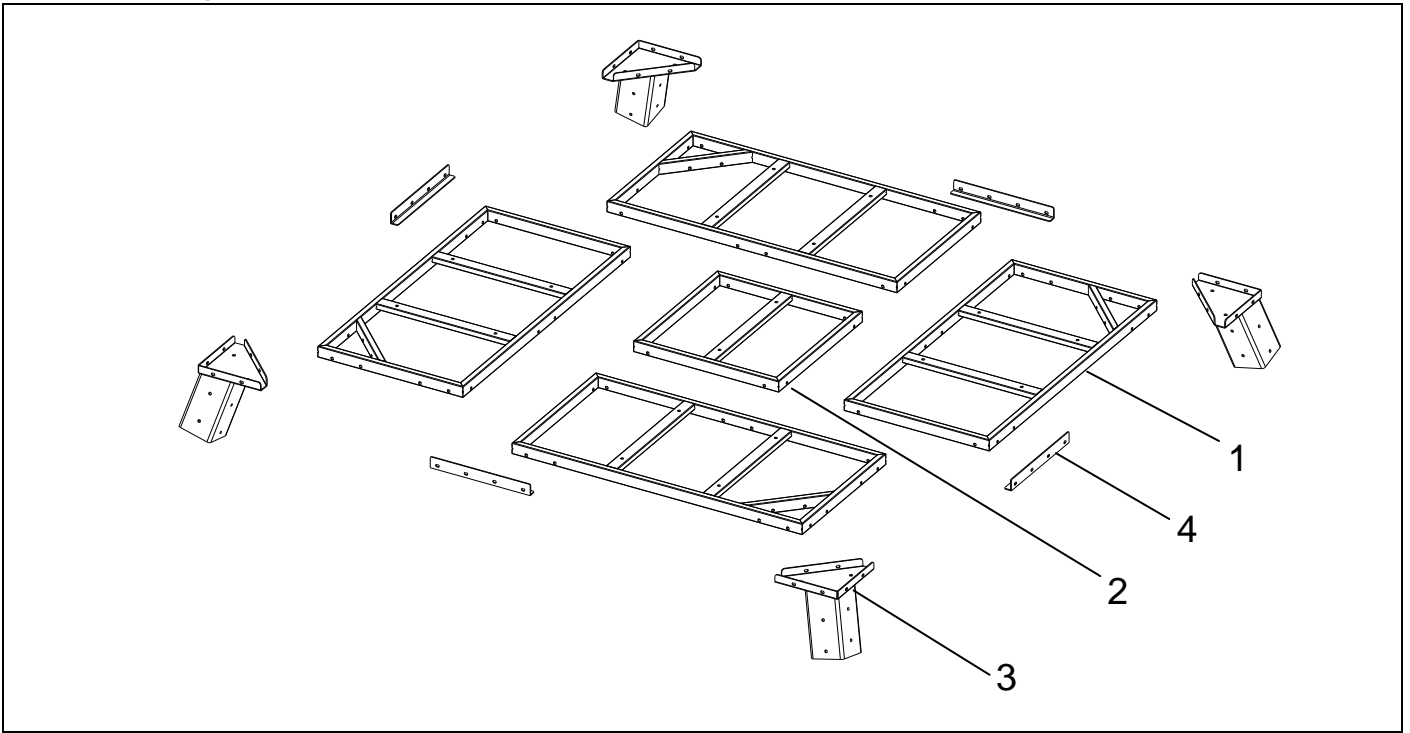


Hand Tighten only at this time

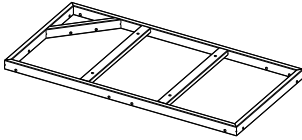
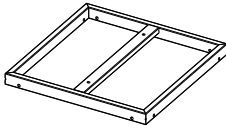
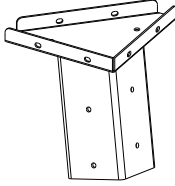
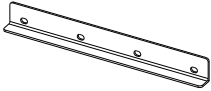


Tighten with tools at this time

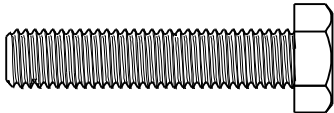
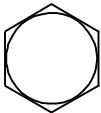
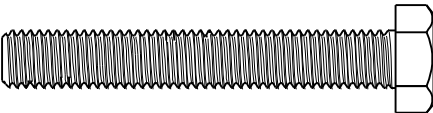
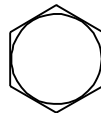
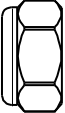
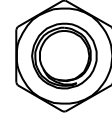
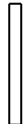
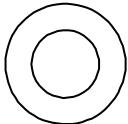
Product Diagram



Component List

1. Long Panel	2. Center Panel	3. Feet	4. Support bar
			
4 pcs	1 pc	4 pcs	4 pcs

Hardware List

Item No.	Item Name	Diagram		Qty
A	Hex. Bolt (M8x 40)			40 pcs
B	Hex. Bolt (M8x55)			16 pcs
C	Locking Nut (M8)			56 pcs
D	Flat Washer (dia. 8mm)			112 pcs

Assembly Procedures

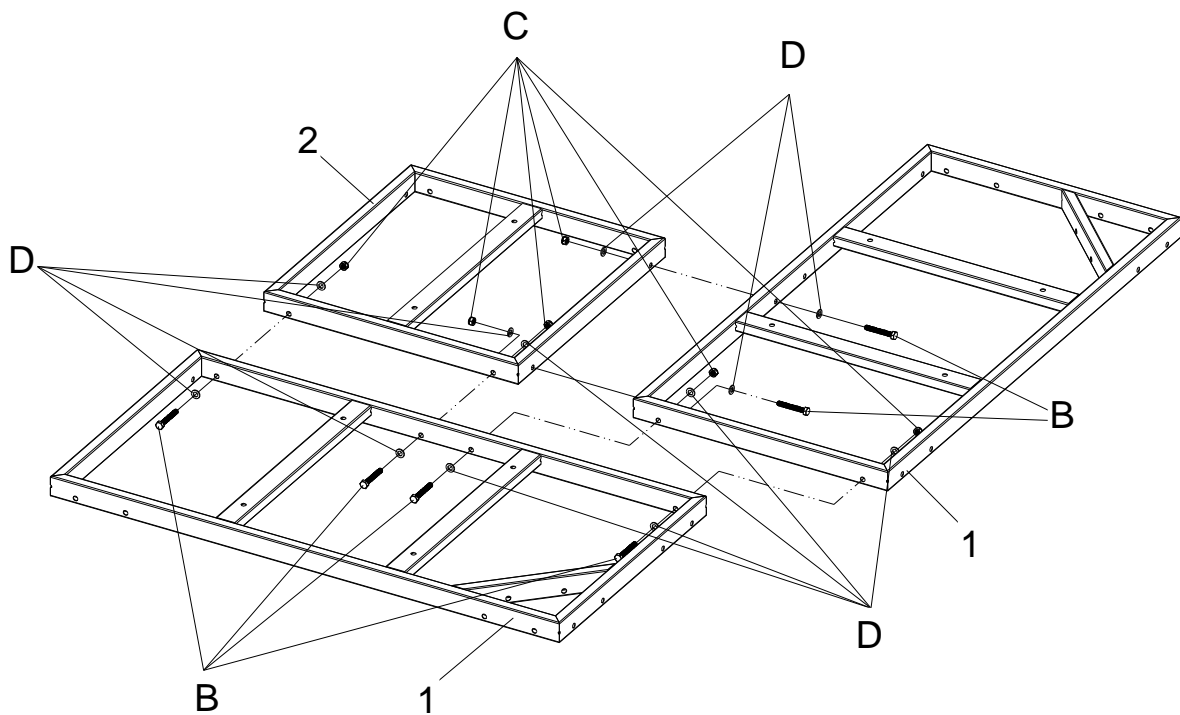
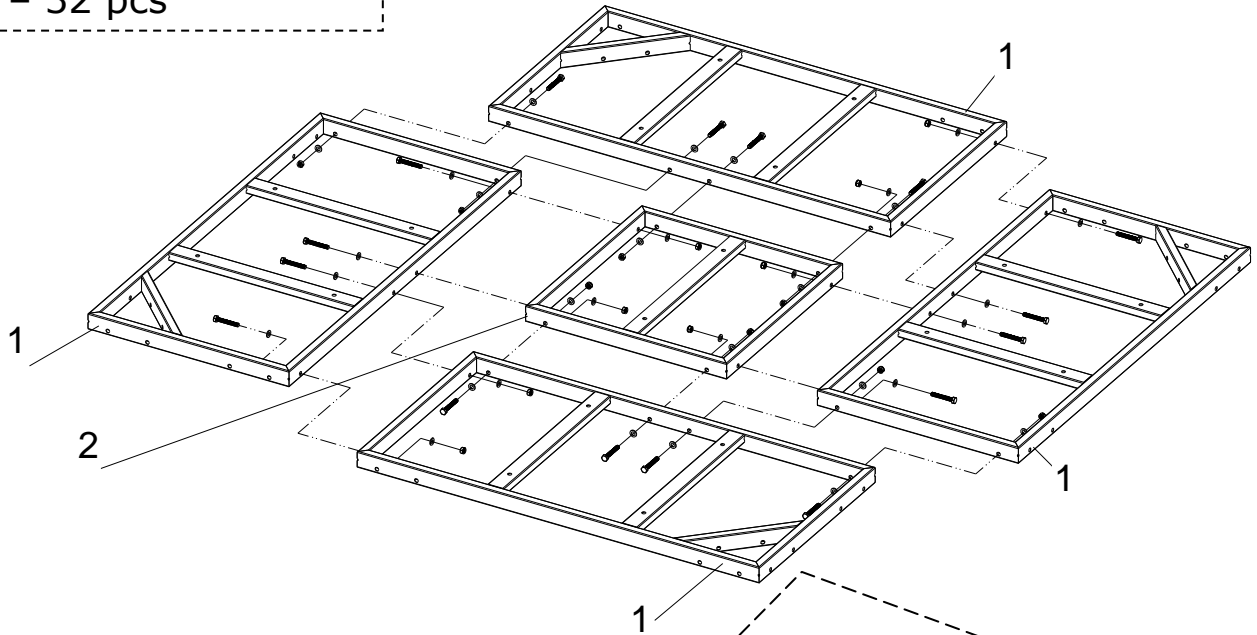
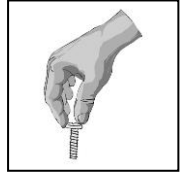
Step 1. Assemble Long Panel (#1) and Center Panel (#2) per below diagram. ***Hand tighten bolts only in this step.***

Hardware required:

#B - 16 pcs

#C - 16 pcs

#D - 32 pcs



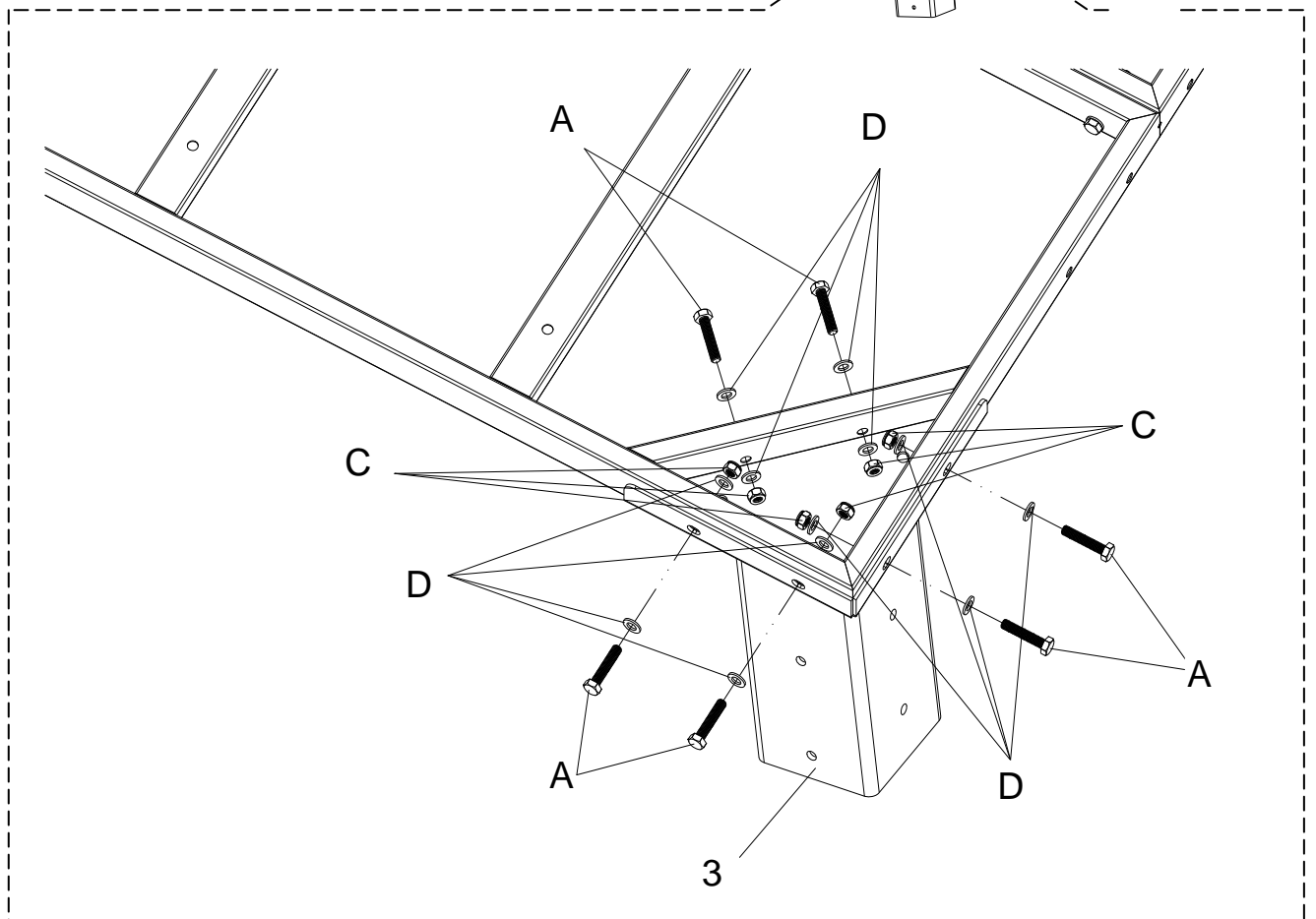
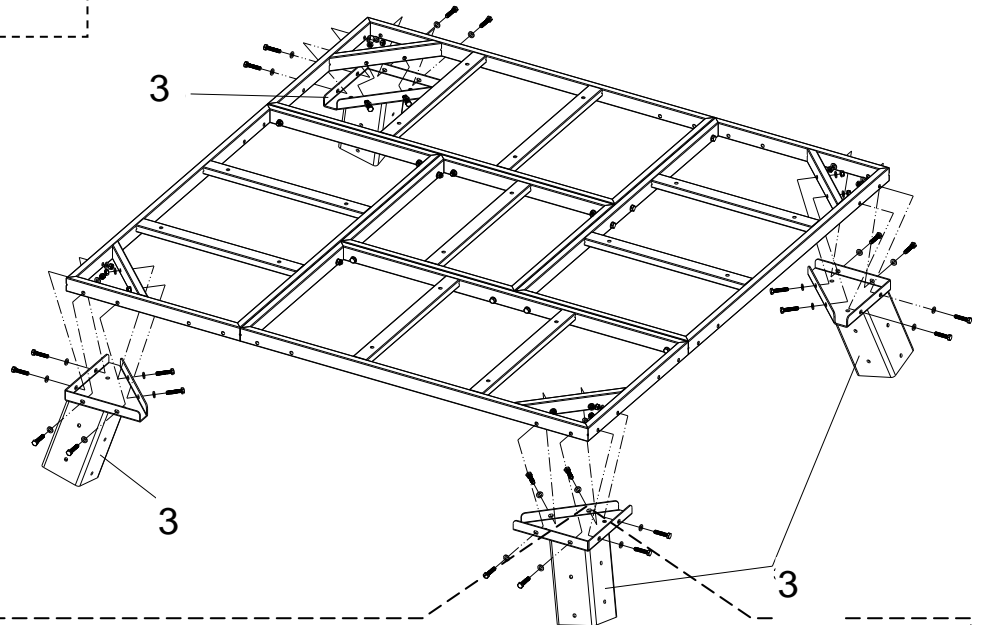
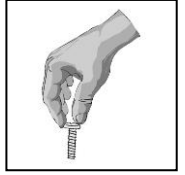
Step 2. Attach Feet (#3) to four corners of deck assembly. ***Hand tighten bolts only in this step.***

Hardware required:

#A - 24 pcs

#C - 24 pcs

#D - 48 pcs



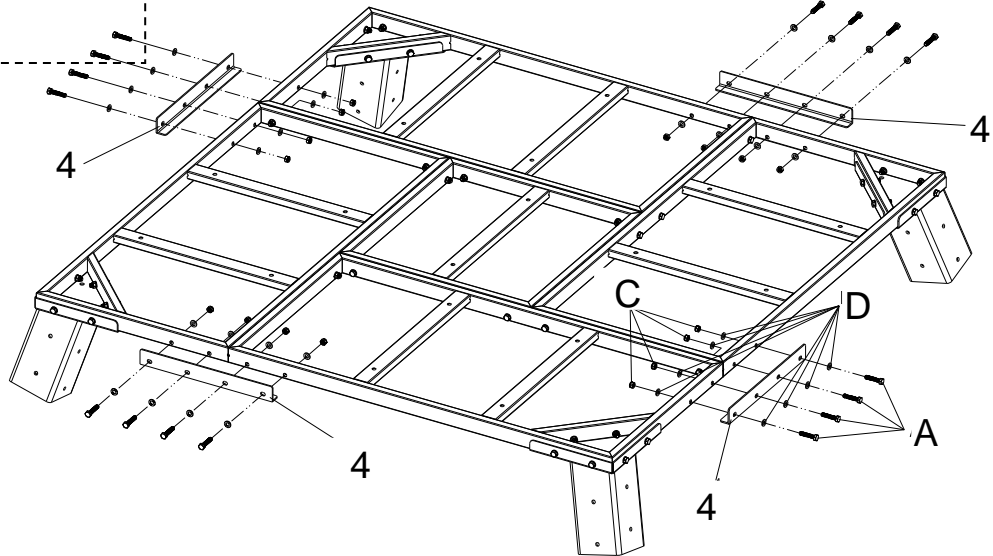
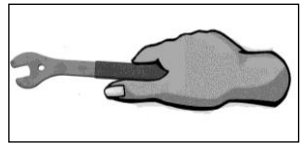
Step 3. Attach Support bar (#4) to deck assembly. **Lay deck assembly on a level ground and NOW TIGHTEN ALL BOLTS in step #1,2,3 with tools**

Hardware required:

#A - 16 pcs

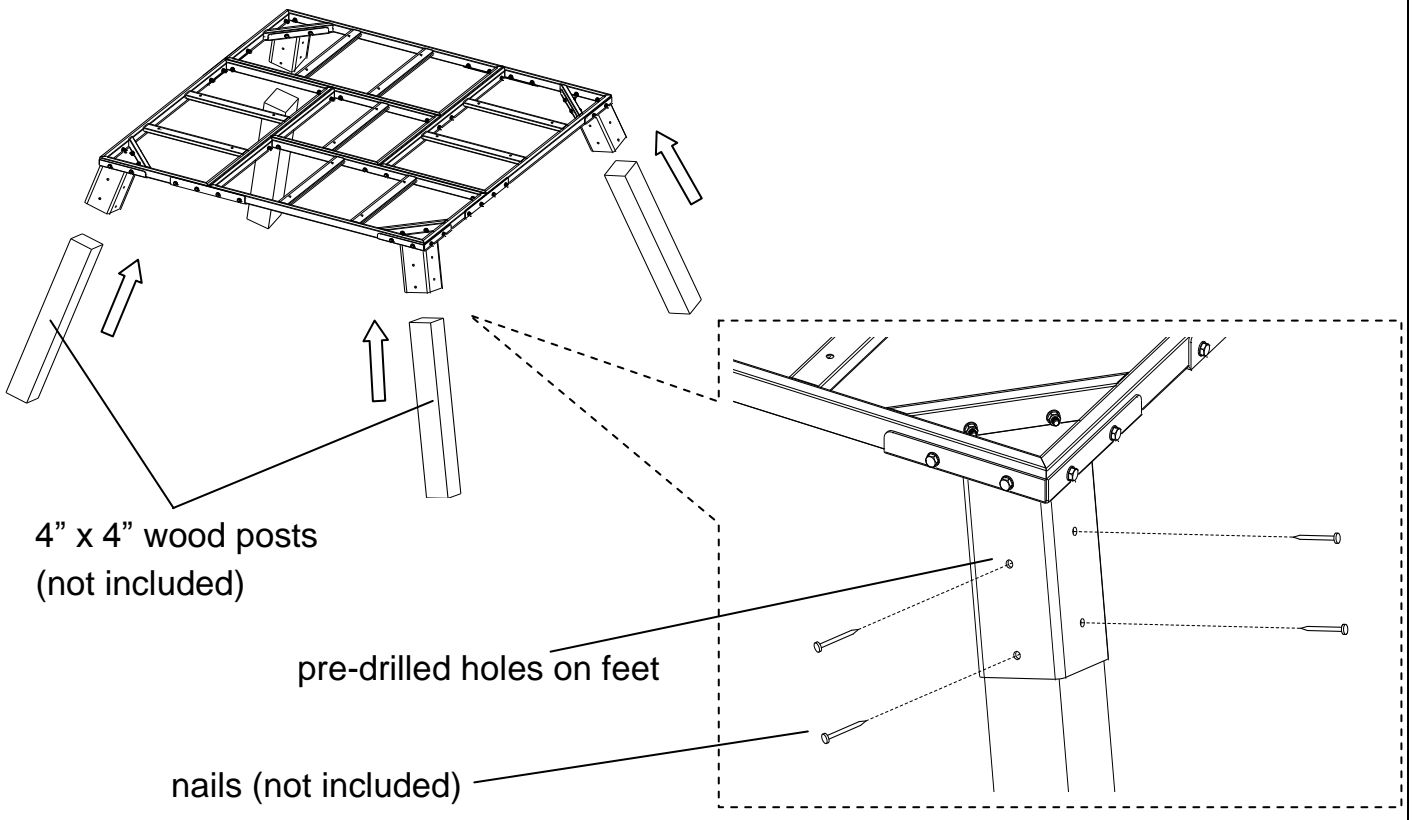
#C - 16 pcs

#D - 32 pcs

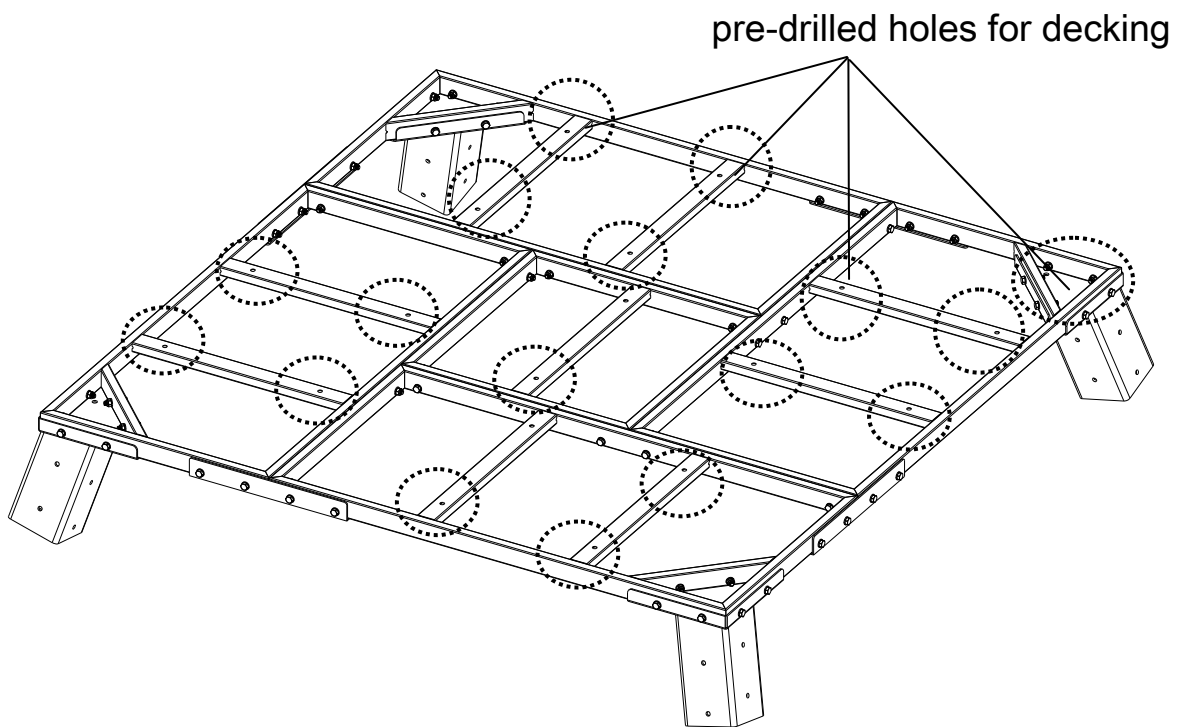


YOUR HUNTING DECK IS COMPLETELY ASSEMBLED

Tips The feet (#3) fit 4" x 4" wood posts. User can insert wood posts to feet and secure them with nails (not included).



Tips There are predrilled holes on the frame for decking.



DANGER



BEFORE STANDING UP THE HUNTING DECK, YOU MUST...

- CHECK ALL HARDWARE TO BE SURE IT IS IN PLACE AND TIGHT.
- CHECK ALL BOLTS AND NUTS TO BE SURE THEY ARE FIRM AND TIGHT.
- FALL MAY OCCUR ANY TIME AFTER LEAVING THE GROUND CAUSING INJURY OR DEATH.
- STRONGLY RECOMMEND DO NOT SET HEIGHT OF HUNTING DECK OVER 6 FEET ABOVE GROUND. USERS SHOULD ALWAYS ASSESS SAFETY OF THE HUNTING DECK BEFORE CLIMBING AND USING



WARNING



AFTER CONFIRMING ALL OF THE ABOVE, YOU MUST...

- HAVE A MINIMUM OF THREE (3) ADULTS FOR THE SAFE ERECTION OF YOUR HUNTING DECK. FAILURE TO FOLLOW THIS INSTRUCTION MAY RESULT IN SERIOUS INJURY OR DEATH!
- THIS HUNTING DECK MUST BE ERECTED ONLY ON FIRM AND LEVEL GROUND.
- DO NOT CLIMB HUNTING DECK UNTIL IT IS COMPLETELY ASSEMBLED.
- DO NOT CLIMB HUNTING DECK UNTIL IT IS STANDING UP AND IN PLACE.
- DO NOT THROW AWAY THE PACKAGING MATERIAL AT THIS TIME.

KEEP THIS MANUAL FOR FUTURE REFERENCE.

Should you encounter any problem, need assistance with assembly, have questions about this product or have missing or defective parts,

Please contact Customer Service at

Rankam (China) Manufacturing Company Limited

1-888-837-1380

Monday thru Friday 8 A.M. to 5 P.M. Pacific Standard Time

or by email

customerservice@rankam.com

WE CAN HELP

Made in China

LIMITED WARRANTY

1. Manufacturer warrants this Product to be free from defects in workmanship and materials for a period of ninety days from the date of purchase, PROVIDED claims are submitted, in writing, with proof of purchase.
2. If any part of this item fails because of a manufacturing defect within the Limited Warranty Period, Manufacturer offers to replace such part(s) provide that such parts have not been improperly repaired, altered, or tampered with or subject to misuse, abuse or exposed to corrosive conditions. This Limited Warranty is, however, subject to certain limitations, exclusions, time limits and exceptions (Hereinafter "Conditions") as listed below. Read these Conditions carefully.
3. This Limited Warranty shall be limited to the replacement or repair of any part(s) which Manufacturer determines, after reasonable examination, to have been defective at the time of manufacturing and manufacturer's obligation(s) shall be limited to replacement, if any, of defective part(s) which shall be shipped at Original Purchaser's expense to Original Purchaser's designated shipping address.
4. This Limited Warranty is given to and covers the **ORIGINAL PURCHASER ONLY** and such coverage terminates ninety days from the date of purchase.
5. **DAMAGE LIMITATION WARNING:** IN NO EVENT SHALL MANUFACTURER BE LIABLE FOR ANY INCIDENTAL OR CONSEQUENTIAL DAMAGES, INCLUDING (BUT NOT LIMITED TO) LOSS OF USE OF THE PRODUCT, LOSS OF TIME, INCONVENIENCE, EXPENSES FOR TRAVEL, TRANSPORTATION, LODGING EXPENSES, LOSS BY DAMAGE TO PERSONAL PROPERTY OR LOSS OF INCOME, PROFITS OR REVENUE.
6. **MANUFACTURER'S OBLIGATION:** Manufacturer's liability shall be limited to the delivery of a good, merchantable Product and, if necessary, the repair or replacement, at manufacturer's option, of any defective part or unit.
7. **TRANSFER LIMITATIONS:** This Limited Warranty is not assignable or transferable. It covers only the original purchaser.
8. **RESERVED RIGHT TO CHANGE:** Manufacturer reserves the right to make changes or improvements to products it produces in the future without imposing on itself any obligations to install the same improvements in the products it has previously manufactured.
9. This Limited Warranty gives the Original Purchaser specific legal rights but there may be other rights which vary by jurisdiction.
10. This warranty does not cover the following items:
 - Chips or scratches on painted surfaces
 - Rust or corrosion is not deemed a manufacturing or materials defect
 - Discoloration or loss of paint due to handling during assembly or cleaning products. Paint may require touch up.
 - Consumables such as batteries

IF CUSTOMER SERVICE IS NECESSARY:

1. The Original Purchaser is responsible for shipping and handling charges of the returned item(s) and replacement parts, if any.
2. All parts to be replaced will need to be shipped before replacement items will be sent.
3. Follow the Customer Service Representative's instructions exactly. If a return is necessary, it must be packed carefully and shipped prepaid.

Rankam (China) Manufacturing Company Limited

18 F., New Lee Wah Centre

88 Tokwawan Road, Kowloon, Hong Kong

~