

This Owner's Manual is provided and hosted by [Appliance Factory Parts](#).



Rankam HU2103901-GK Owner's Manual

[Shop genuine replacement parts for Rankam
HU2103901-GK](#)



[Find Your Rankam Grill Parts - Select From 123 Models](#)

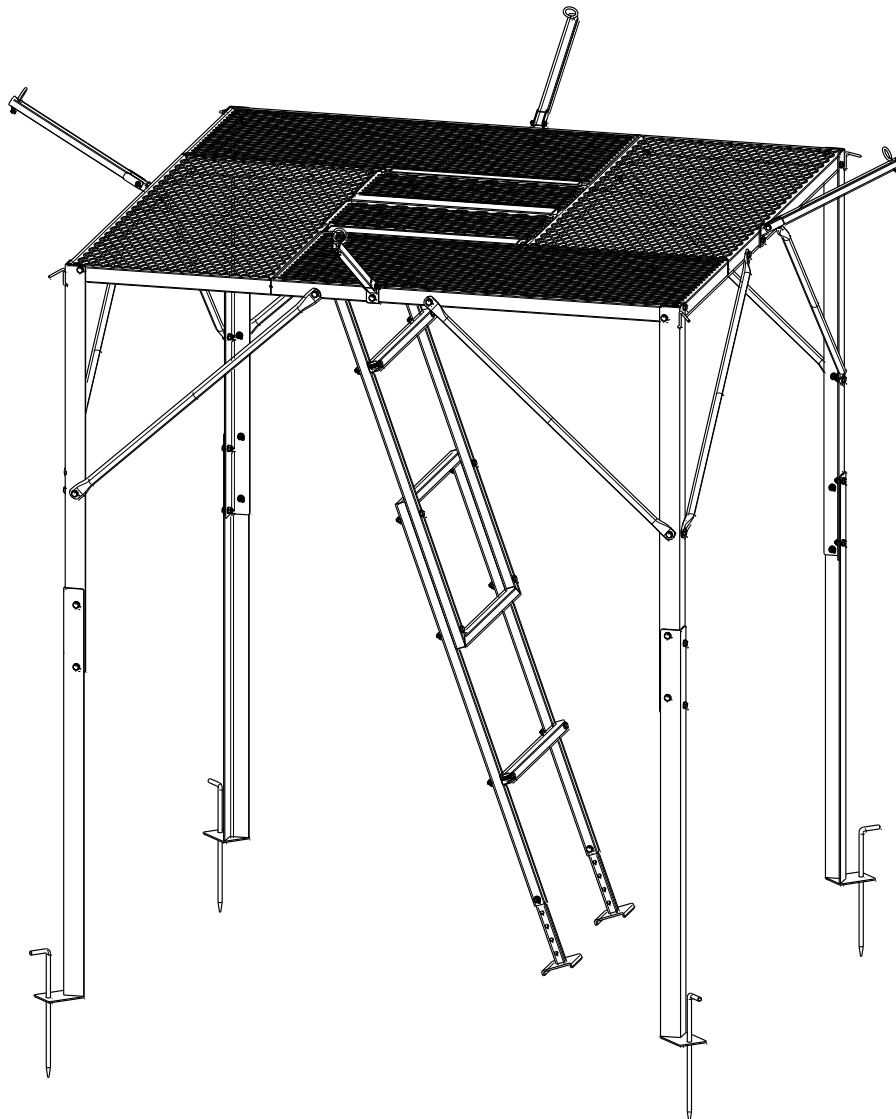
----- Manual continues below -----



Elevated Hunting Platform

Assembly and Operating Instructions

Model Number #HU2103901-GK



Keep this manual for future reference.

Instructions for Platform

THANK YOU for your purchase of this **GameKeeper Elevated Hunting Platform**. To ensure your personal safety, please read these instructions carefully before attempting to assemble, setup, install and/or otherwise use this unit. The safe use and operation of this product is the sole responsibility of the user. If you should have questions about this product, please contact us at **1-(888) 837-1380**.

PAY ATTENTION to these statements when reading this manual and the information contained can save your life.



DANGER: Indicates an imminently hazardous situation which, if not avoided, will result in death or serious injury.



WARNING: Be alert to the possibility of serious bodily injury if the instructions are not followed. Be sure to read and carefully follow all of the messages.



CAUTION: Indicates a potentially hazardous situation which, if not avoided, may result in minor or moderate injury.



CAUTION



- YOUR **GAMEKEEPER ELEVATED HUNTING PLATFORM** IS DESIGNED, ENGINEERED AND CONSTRUCTED IN A MANNER THAT MAKES IT A RUGGED PIECE OF HUNTING EQUIPMENT THAT WILL GIVE YOU YEARS OF SERVICE. RUGGED CONSTRUCTION MAKES YOUR HUNTING PLATFORM VERY HEAVY. AS SUCH, YOU SHOULD NEVER ATTEMPT TO ASSEMBLE AND TAKE DOWN THIS HUNTING PLATFORM ALONE. YOU MUST HAVE A MINIMUM OF THREE (3) ADULTS FOR THE SAFE ERECTION OF YOUR HUNTING PLATFORM. FAILURE TO FOLLOW THESE INSTRUCTIONS MAY RESULT IN SERIOUS INJURY OR DEATH!
- FALL MAY OCCUR ANY TIME AFTER LEAVING THE GROUND CAUSING INJURY OR DEATH.
- FURNISH THIS INSTRUCTION MANUAL TO ANYONE WHO BORROWS OR PURCHASES THIS HUNTING PLATFORM.



WARNING



- READ AND FOLLOW ALL SAFETY STATEMENTS, WARNINGS, ASSEMBLY INSTRUCTIONS AND USE & CARE DIRECTIONS BEFORE ATTEMPTING TO ASSEMBLE AND USE. FAILURE TO DO SO COULD RESULT IN INJURY OR DEATH.
- KEEP THIS MANUAL FOR FUTURE REFERENCE AND REVIEW IT AT LEAST ANNUALLY. CONTACT THE MANUFACTURER'S CUSTOMER SERVICE FOR ANY QUESTIONS.
- DOUBLE CHECK THAT ALL PARTS AND HARDWARE ARE INCLUDED PRIOR TO THE ASSEMBLY. DO NOT THROW AWAY THE PACKAGING MATERIAL UNTIL ASSEMBLY IS COMPLETED.
- PRIOR TO ATTEMPTING TO USE THIS UNIT, TAKE A MOMENT TO BECOME FAMILIAR WITH THE ASSEMBLY, SETUP AND INSTALLATION. REFER TO THE IMAGES IN THIS MANUAL FOR VISUALIZATION OF THE ASSEMBLY PROCESS IN ADDITION TO READING THE INSTRUCTIONS.
- STABILIZATION DEVICES SUCH AS STAKES (INCLUDED) MUST BE USED BEFORE CLIMBING TO THE HUNTING PLATFORM.
- THIS RUGGED CONSTRUCTION MAKES YOUR HUNTING PLATFORM VERY HEAVY. YOU SHOULD NEVER ATTEMPT TO ASSEMBLE AND TAKE DOWN THIS HUNTING PLATFORM WITHOUT THE ASSISTANCE OF AT LEAST TWO (2) ADULTS.
- YOU MUST HAVE A MINIMUM OF THREE (3) ADULTS FOR THE SAFE ERECTION OF YOUR HUNTING PLATFORM. FAILURE TO FOLLOW THESE INSTRUCTIONS MAY RESULT IN SERIOUS INJURY OR DEATH!

- SOME PARTS MAY CONTAIN SHARP EDGES – WEAR PROTECTIVE GLOVES.
- THIS HUNTING PLATFORM **MUST** BE ERECTED ONLY ON FIRM AND LEVEL GROUND. PRIOR TO CLIMBING THE HUNTING PLATFORM, YOU MUST INSTALL THREE (3) STAKES **(INCLUDED)** AND MAKE SURE THEY ARE FIRMLY AFFIXED TO THE GROUND. FAILURE TO FOLLOW THESE INSTRUCTIONS MAY RESULT IN SERIOUS INJURY OR DEATH!
- THIS HUNTING PLATFORM IS DESIGNED TO ACCOMMODATE **ONE** or **TWO** USERS AT A TIME. DO NOT TRY TO ACCOMODATE MORE THAN TWO PERSONS.
- THE WEIGHT RATINGS ARE **300 LB** FOR **ONE PERSON** AND **500 LB** FOR **TWO PERSONS**. NEVER EXCEED THESE WEIGHT RATINGS WHEN USING THIS HUNTING PLATFORM
- THIS HUNTING PLATFORM IS DESIGNED FOR ADULT USE ONLY. NEVER ALLOW ANYONE AGE 16 YEARS AND UNDER CLIMB ON THIS PRODUCT
- NEVER USE THIS HUNTING PLATFORM WHEN FEELING ILL, NAUSEOUS OR DIZZY, OR IF YOU HAVE A PRIOR MEDICAL CONDITION THAT COULD CAUSE A PROBLEM IE., HEART CONDITION, JOINTS THAT LOCK-UP, SPINAL FUSIONS ETC. OR IF YOU ARE NOT WELL RESTED.
- NEVER USE THIS HUNTING PLATFORM WHILE YOU ARE UNDER THE INFLUENCE OF ALCOHOL OR/AND DRUGS (EVEN PRESCRIPTION DRUGS)
- NEVER JUMP OR BOUNCE ON THIS HUNTING PLATFORM
- PULL UP HUNTING EQUIPMENT ONLY AFTER THE USER HAS SECURED THEMSELVES ON THE HUNTING PLATFORM
- FIREARMS MUST BE PULLED UP UNLOADED, CHAMBERS OPENED, AND MUZZLES DOWN
- ALWAYS INFORM SOMEONE OF YOUR HUNTING LOCATION AND, THE DATE AND TIME OF YOUR HUNT.
- CARRY A SIGNALING DEVICE SUCH AS A MOBILE PHONE, A WHISTLE OR A FLASHLIGHT AND HAVE IT READILY AVAILABLE AT ALL TIMES
- DO NOT USE THIS UNIT AROUND POWER GENERATING EQUIPMENT (TRANSFORMERS, GENERATORS, SUBSTATIONS, ETC) AND/OR TRANSMISSION EQUIPMENT (POWER LINES). FAILURE TO FOLLOW THESE INSTRUCTIONS MAY RESULT IN SERIOUS INJURY OR DEATH.
- ALWAYS LEAN FORWARD AND MAINTAIN THREE POINTS OF CONTACT WHEN CLIMBING UP THE LADDERS OF THIS HUNTING PLATFORM.
- **ONLY ONE PERSON CLIMBS ON THE LADDER STEP AT A TIME.**
- DO NOT CLIMB ON THE HUNTING PLATFORM DURING BAD WEATHER SUCH AS STORMS, SNOW, LIGHTNING OR THUNDERSTORM. FAILURE TO FOLLOW THESE INSTRUCTIONS MAY RESULTS IN SERIOUS INJURY OR DEATH!
- DO NOT SIT OR STAND ON LADDER STEPS WHILE HUNTING.. FAILURE TO FOLLOW THESE INSTRUCTIONS MAY RESULT IN SERIOUS INJURY OR DEATH!

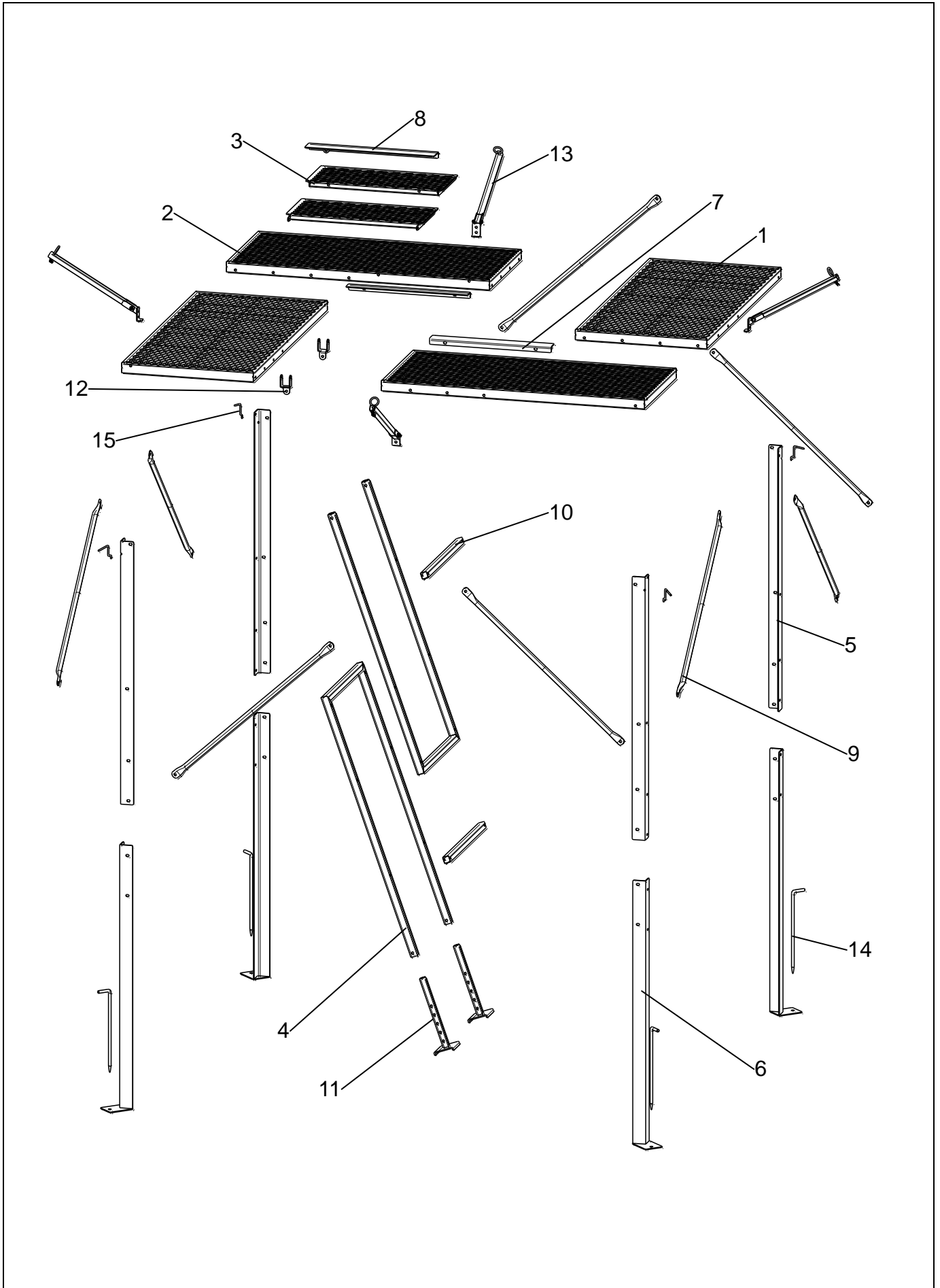
- DO NOT USE/CLIMB THE HUNTING PLATFORM UNTIL IT IS COMPLETELY ASSEMBLED AND STANDING UP IN PLACE.
- DO NOT STORE OR HANG ITEMS ON LADDER STEPS. FAILURE TO FOLLOW THESE INSTRUCTIONS MAY RESULT IN SERIOUS DAMAGE TO YOU AND / OR THIS UNIT.
- DO NOT DISASSEMBLE AND/OR REMOVE PARTS WITHOUT ANOTHER TWO ADULTS PRESENT. YOU MUST HAVE A MINIMUM OF THREE (3) ADULTS FOR THE SAFE DISASSEMBLY OF YOUR HUNTING PLATFORM. FAILURE TO FOLLOW THESE INSTRUCTIONS MAY RESULT IN SERIOUS INJURY OR DEATH!
- DO NOT ASSEMBLE, DISASSEMBLE AND/OR REMOVE PARTS OTHERWISE USE THE HUNTING PLATFORM UNDER AND/OR DURING BAD WEATHER SUCH AS STORMS, SNOW, LIGHTNING OR THUNDERSTORMS. FAILURE TO FOLLOW THESE INSTRUCTIONS MAY RESULT IN SERIOUS INJURY OR DEATH!
- DO NOT REMOVE, MODIFY AND/OR OMIT ANY PART OR OTHERWISE MECHANICALLY MODIFY THIS UNIT OR ITS ASSEMBLY IN ANY MANNER. MODIFICATION, OMISSION AND/OR PART SUBSTITUTION MAY RESULT IN SERIOUS INJURY OR DEATH!
- THOROUGHLY INSPECT THE HUNTING PLATFORM PRIOR TO EACH USE FOR SIGNS OF RUST, WEAR, ROT, CORROSION, CRACKS, DETERIORATION AND/OR ANY OTHER TYPE OF DEFECT. DO NOT USE THIS HUNTING PLATFORM IF IT SHOWS EVIDENCE OF RUST WEAR, ROT, CORROSION, CRACKS, DETERIORATION AND/OR ANY OTHER TYPE OF DEFECT. FAILURE TO FOLLOW THESE INSTRUCTIONS MAY RESULT IN SERIOUS INJURY OR DEATH.
- DO NOT STORE THIS HUNTING PLATFORM OUTDOOR WHEN NOT IN USE
- APPROPRIATE MAINTENANCE OF THIS HUNTING PLATFORM IS RECOMMENDED.
- MUST INSPECT THOROUGHLY THE ENTIRE HUNTING PLATFORM AND EVERY LADDER SECTION EVERY TIME YOU USE THIS HUNTING PLATFORM.

PROPER CARE AND MAINTENANCE

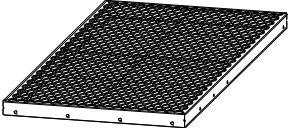

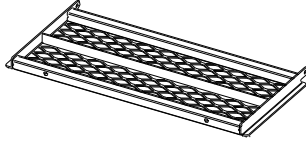

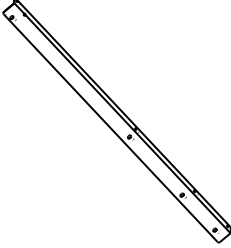
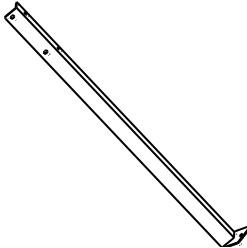
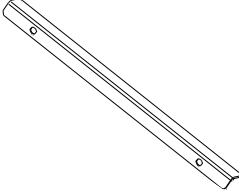
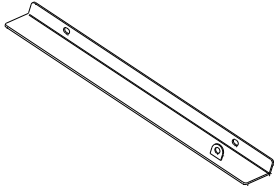
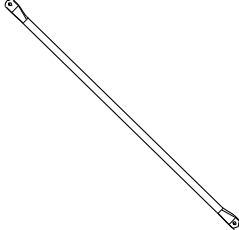
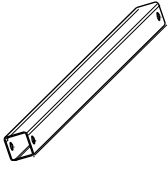
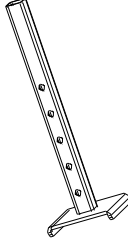
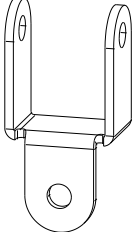
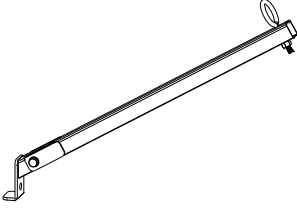
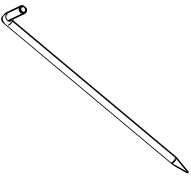
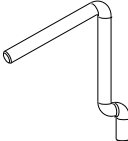
Disassemble the hunting platform when not in use

Store hunting platform in safe and dry place to avoid corrosion

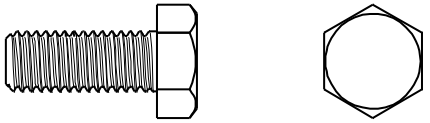
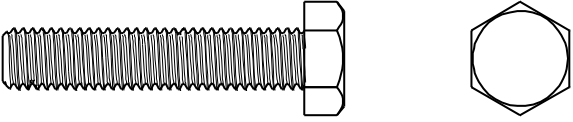
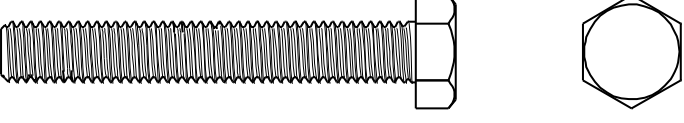
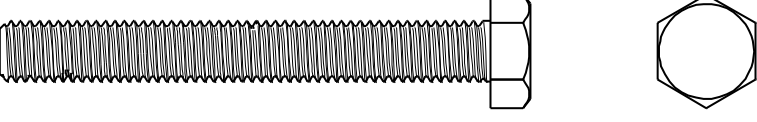

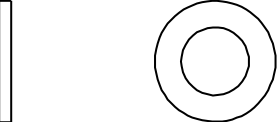
Product Diagram



Component List

<p>1. Platform Section A</p>  <p>2 pcs</p>	<p>2. Platform Section B</p>  <p>2 pcs</p>	<p>3. Platform Door</p>  <p>2 pcs</p>	<p>4. Ladder Frame</p>  <p>2 pcs</p>
<p>5. Leg Top Section</p>  <p>4 pcs</p>	<p>6. Leg Bottom Section</p>  <p>4 pcs</p>	<p>7. Door Side Bar</p>  <p>2 pcs</p>	<p>8. Door Middle Bar</p>  <p>1 pc</p>
<p>9. Support Bar</p>  <p>8 pcs</p>	<p>10. Ladder Bar</p>  <p>2 pcs</p>	<p>11. Feet</p>  <p>2 pcs</p>	<p>12. Ladder Hinge</p>  <p>2 pcs</p>
<p>13. Shelter Support</p>  <p>4 pcs</p>	<p>14. Stake</p>  <p>4 pcs</p>	<p>15. Corner Hook</p>  <p>4 pc</p>	

Hardware List

Item No.	Item name	Diagram	Qty
A	BOLT M8X20		24
B	BOLT M8X40		30
C	BOLT M8X55		20
D	BOLT M8X65		8
E	LOCK NUT M8		82
F	WASHER ID8		164

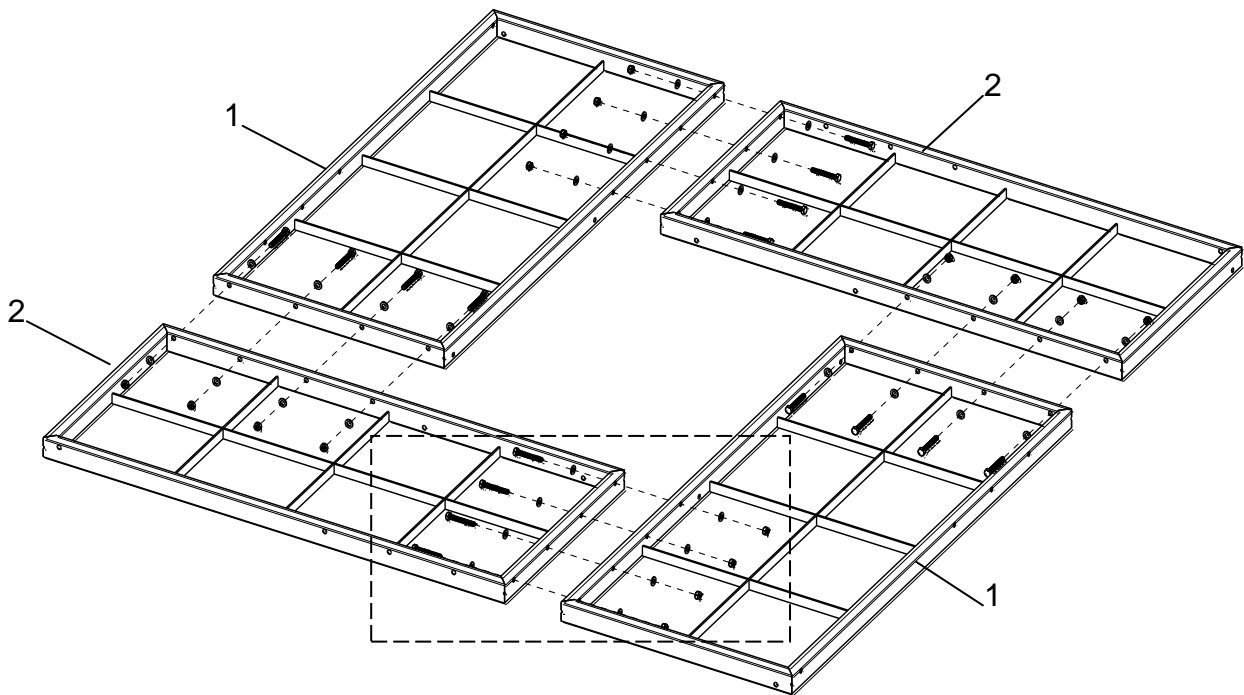
IF YOU SUSPECT THAT A PART(S) IS MISSING AND/OR DEFECTIVE, IMMEDIATELY CONTACT TOLL-FREE 1-(888) 837-1380 FOR REPLACEMENT OF MISSING OR DEFECTIVE PARTS. **DO NOT RETURN TO RETAILER.**

Tools required for assembly: (Not Included) Pliers & Adjustable Wrench.

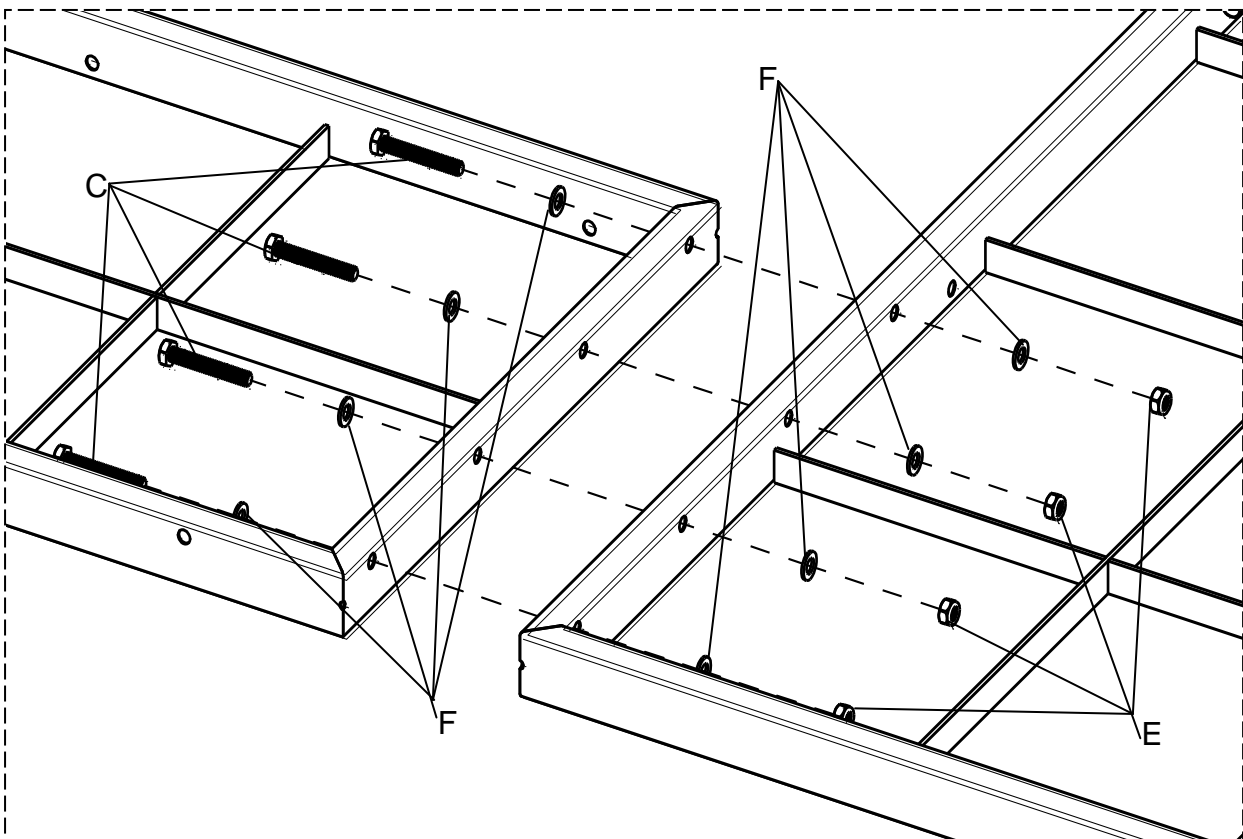
Keep this manual for future reference.

Assembly Procedures

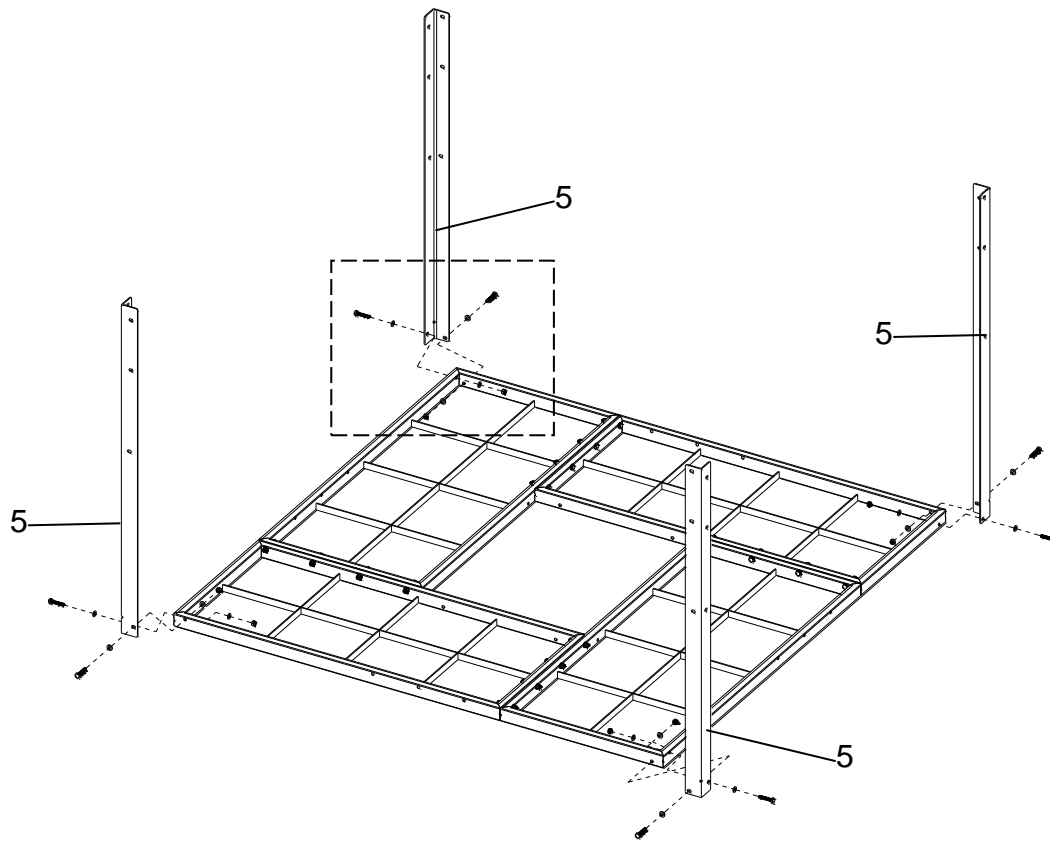
Step 1. Attach Platform Section A (#1) and Platform Section B (#2) using bolts (C,M8x55), washers (F,ID8) and lock nuts (E,M8). Tighten bolts and nuts.



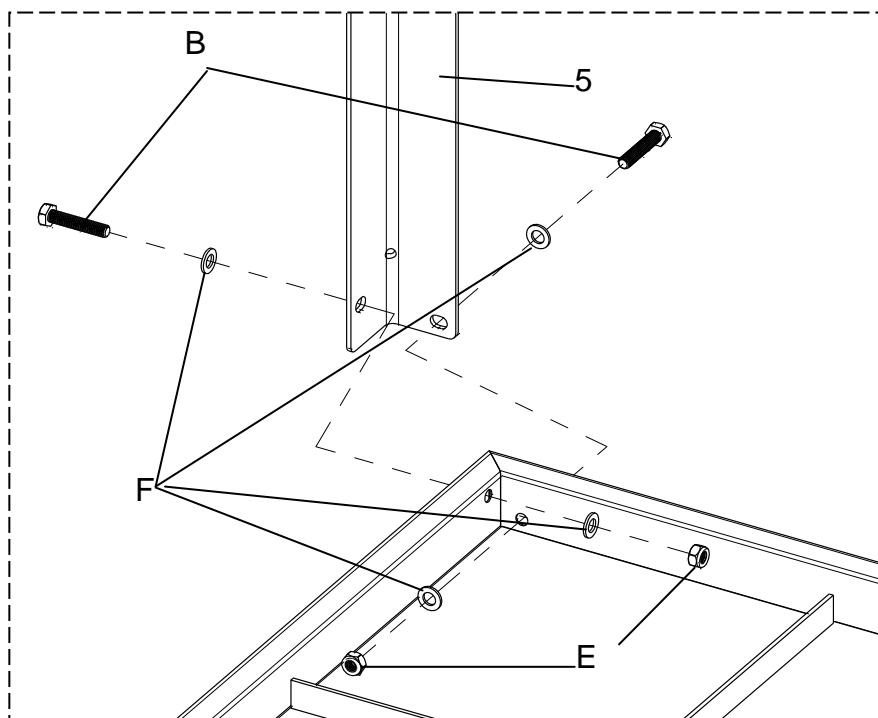
Attach all four sections using bolts, washers and lock nuts in the same manner



Step 2. Attach Leg Top Section (#5) to the platform using bolts (B,M8x40), washers (F,ID8) and lock nuts (E,M8). Tighten bolts and nuts.

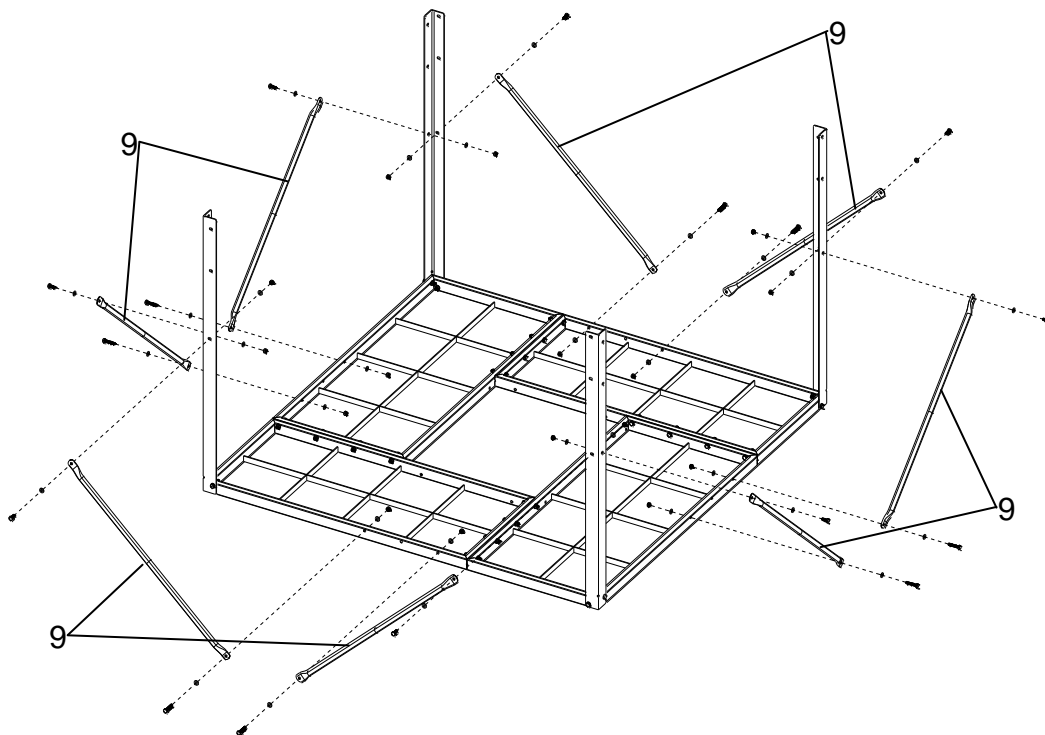


Attach all four legs using bolts, washers and lock nuts in the same manner

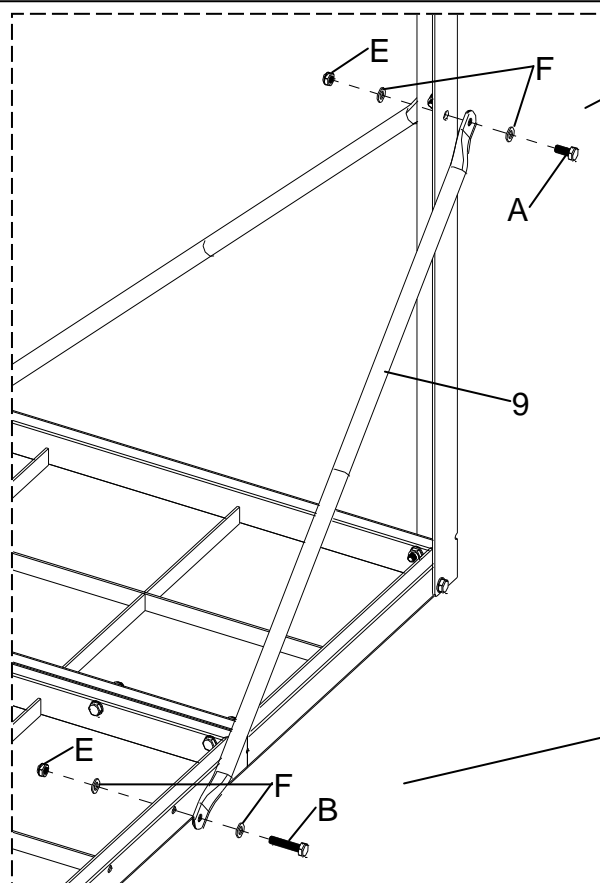


Step 3. At leg position, attach Support Bar (#9) using bolts (A,M8x20), washers (F,ID8) and lock nuts (E,M8). Tighten bolts and nuts.

At platform position, attach Support Bar (#9) using bolts (B,M8x40), washers (F,ID8) and lock nuts (E,M8). Tighten bolts and nuts.



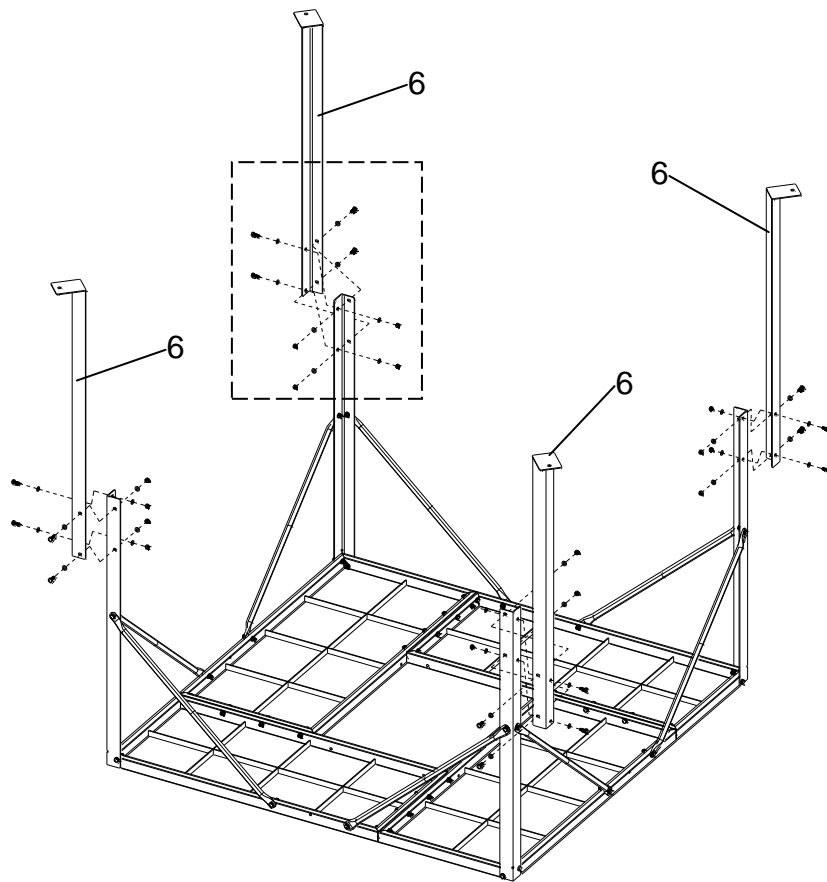
Attach all eight support bars using bolts, washers and lock nuts in the same manner



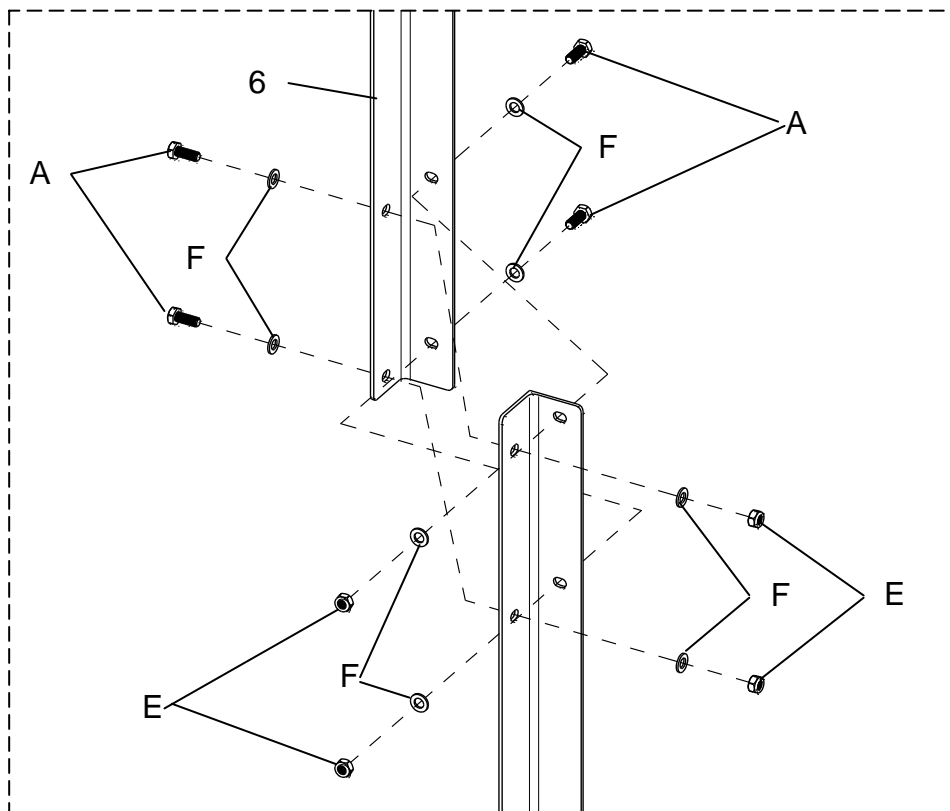
At leg position, use **bolt A**

At platform position, use **bolt B**

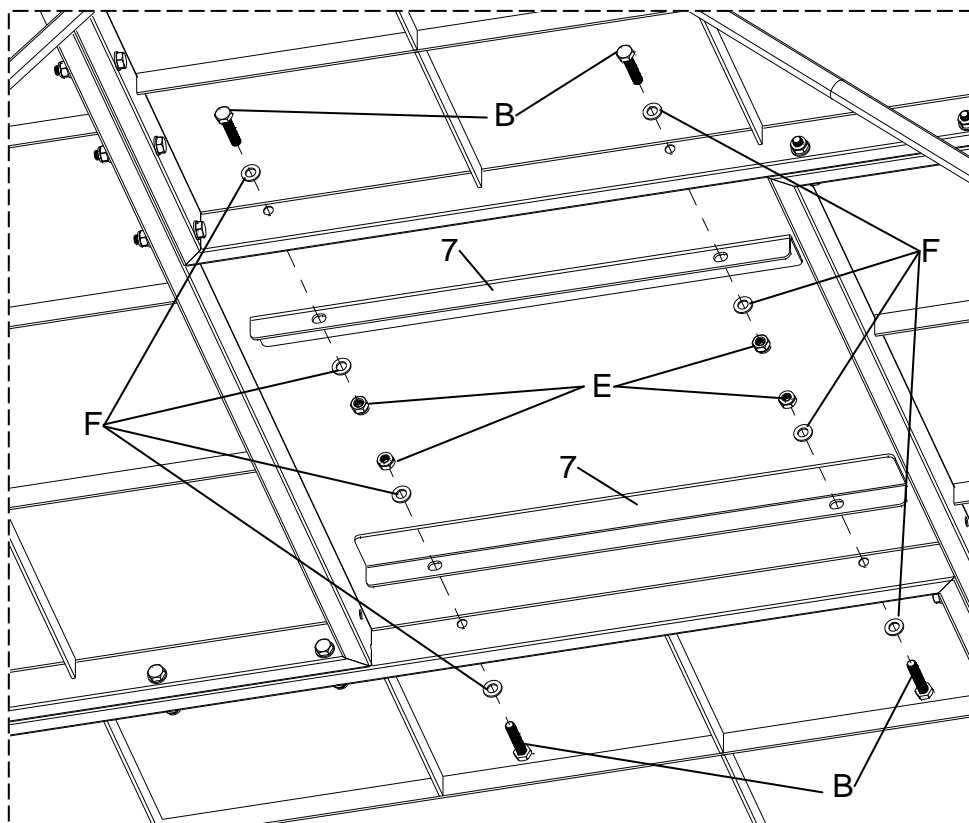
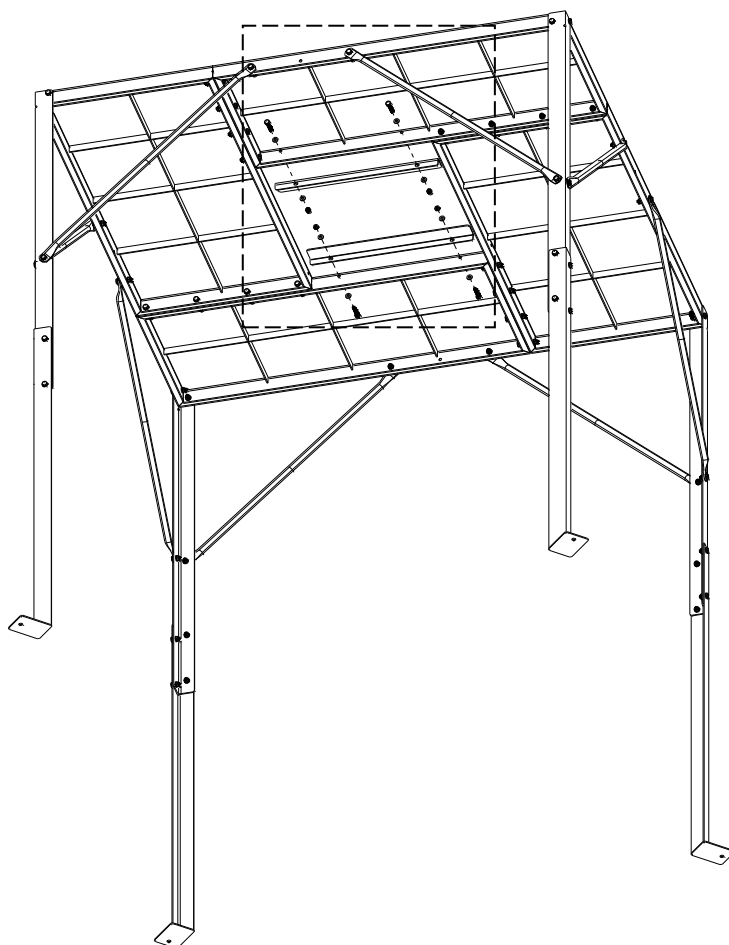
Step 4. Attach Leg Bottom Section (#6) to the Leg Top Section (#5) using bolts (A,M8x20), washers (F,ID8) and lock nuts (E,M8). Tighten bolts and nuts.



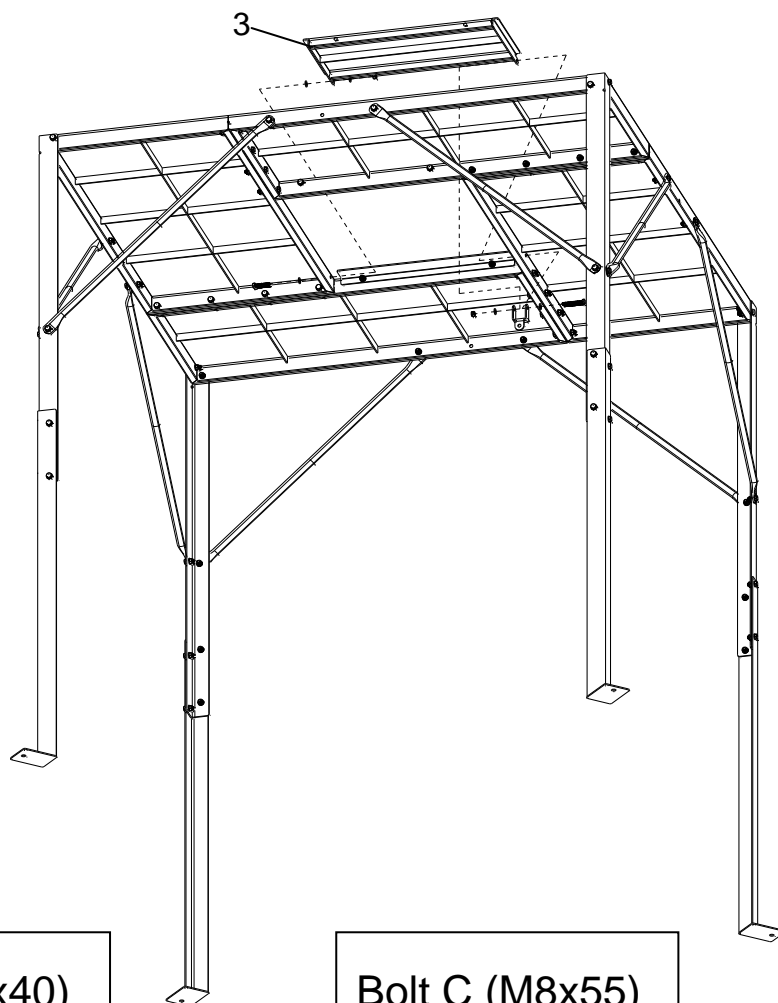
Attach all four leg bottom sections using bolts, washers and lock nuts in the same manner



Step 5. Attach Door Side Bar (#7) using bolts (B,M8x40), washers (F,ID8) and lock nuts (E,M8). Tighten bolts and nuts.

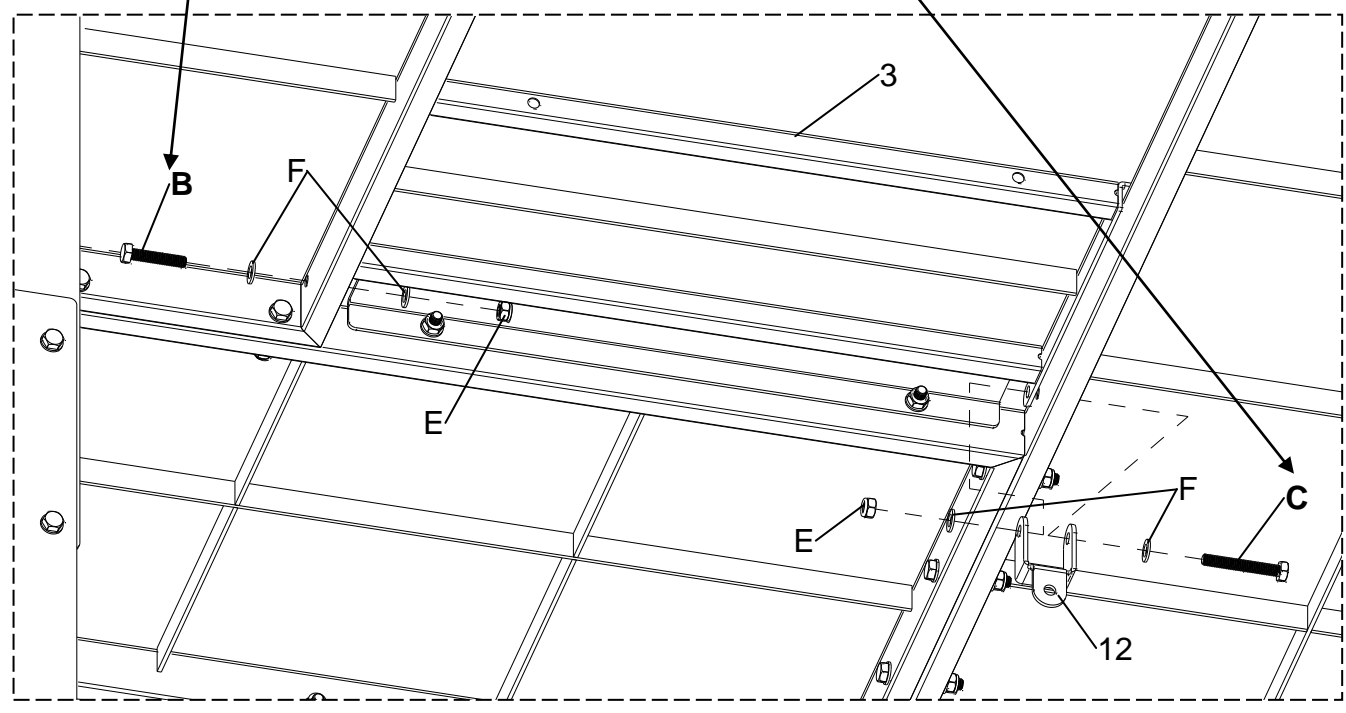


Step 6. Attach one Platform Door (#3) using bolt (B,M8x40), washers (F,ID8) and lock nut (E,M8) at one end. At another end of platform door, attach Ladder Hinge (#12) using bolt (C,M8x 55), washers (F,ID8) and lock nut (E,M8). Tighten bolts and nuts.

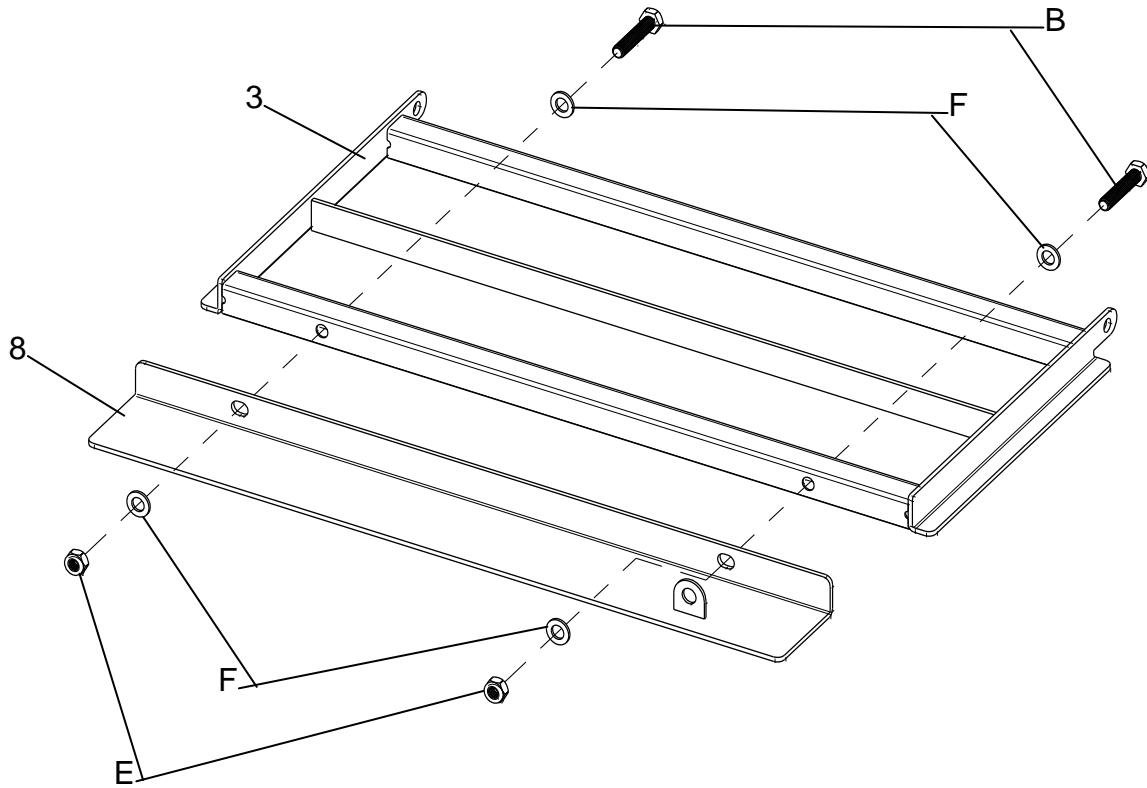


Bolt B (M8x40)

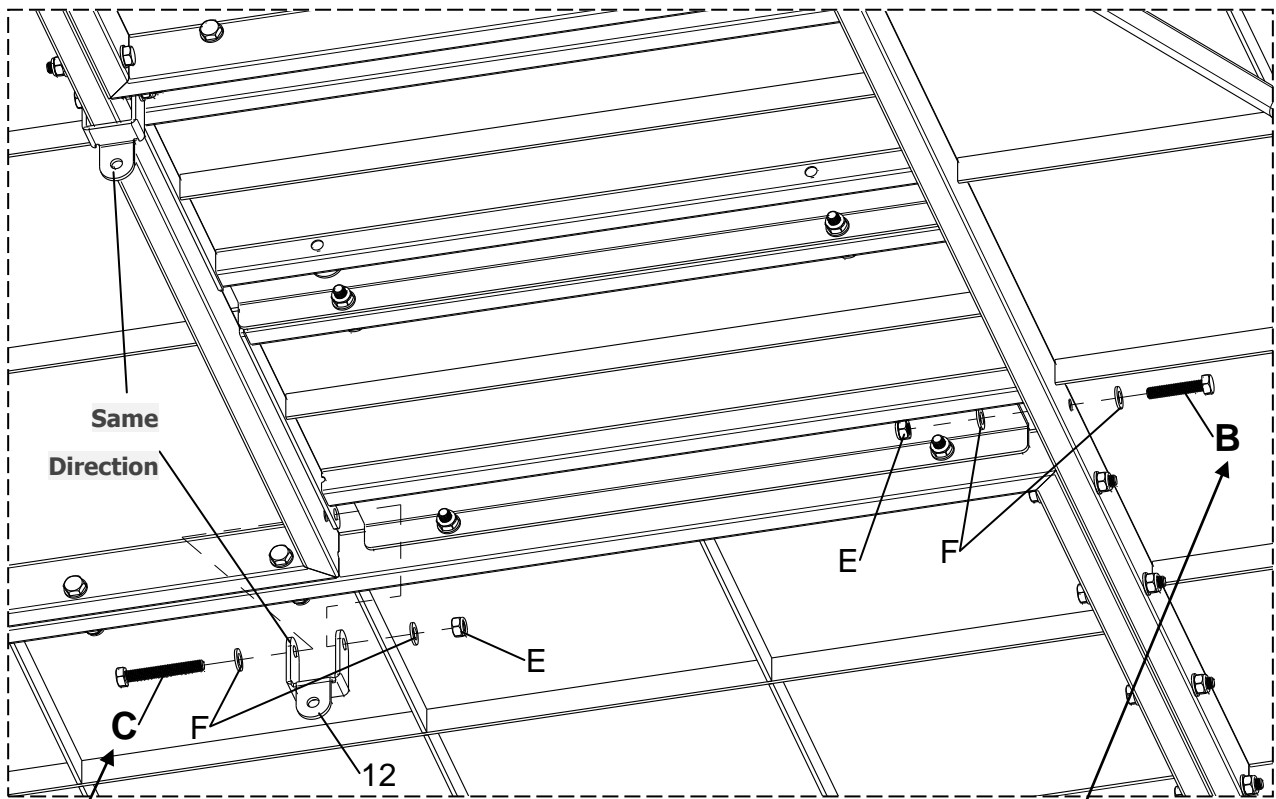
Bolt C (M8x55)



Step 7. Attach Door Middle Bar (#8) to another Platform Door (#3) using bolts (B,M8x 40), washers (F,ID8) and lock nuts (E,M8). Tighten bolts and nuts



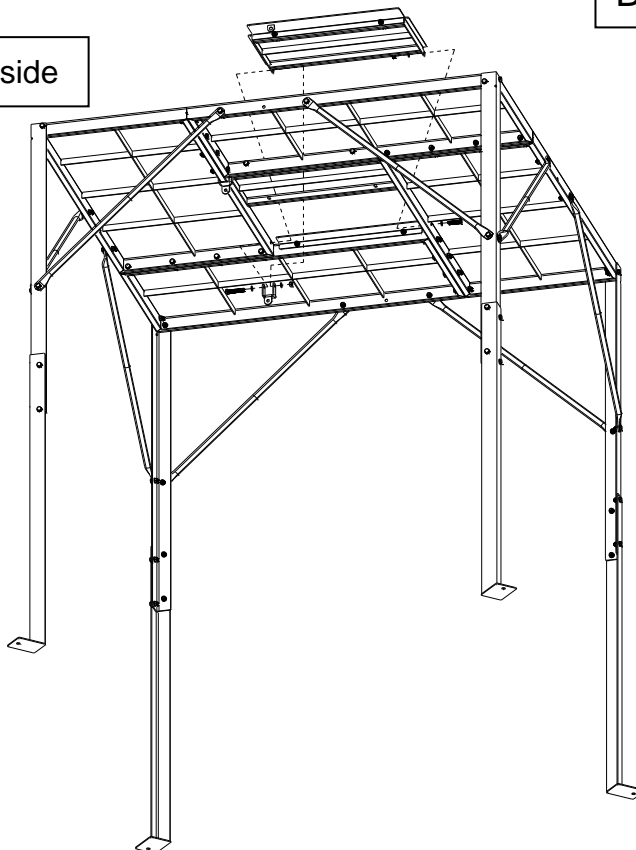
Step 8. Attach the platform door in previous step to the platform using bolt (B,M8x40), washers (F,ID8) and lock nut (E,M8) at one end. At another end of platform door, attach Ladder Hinge (#12) using bolt (C,M8x 55), washers (F,ID8) and lock nut (E,M8). Tighten bolts and nuts.



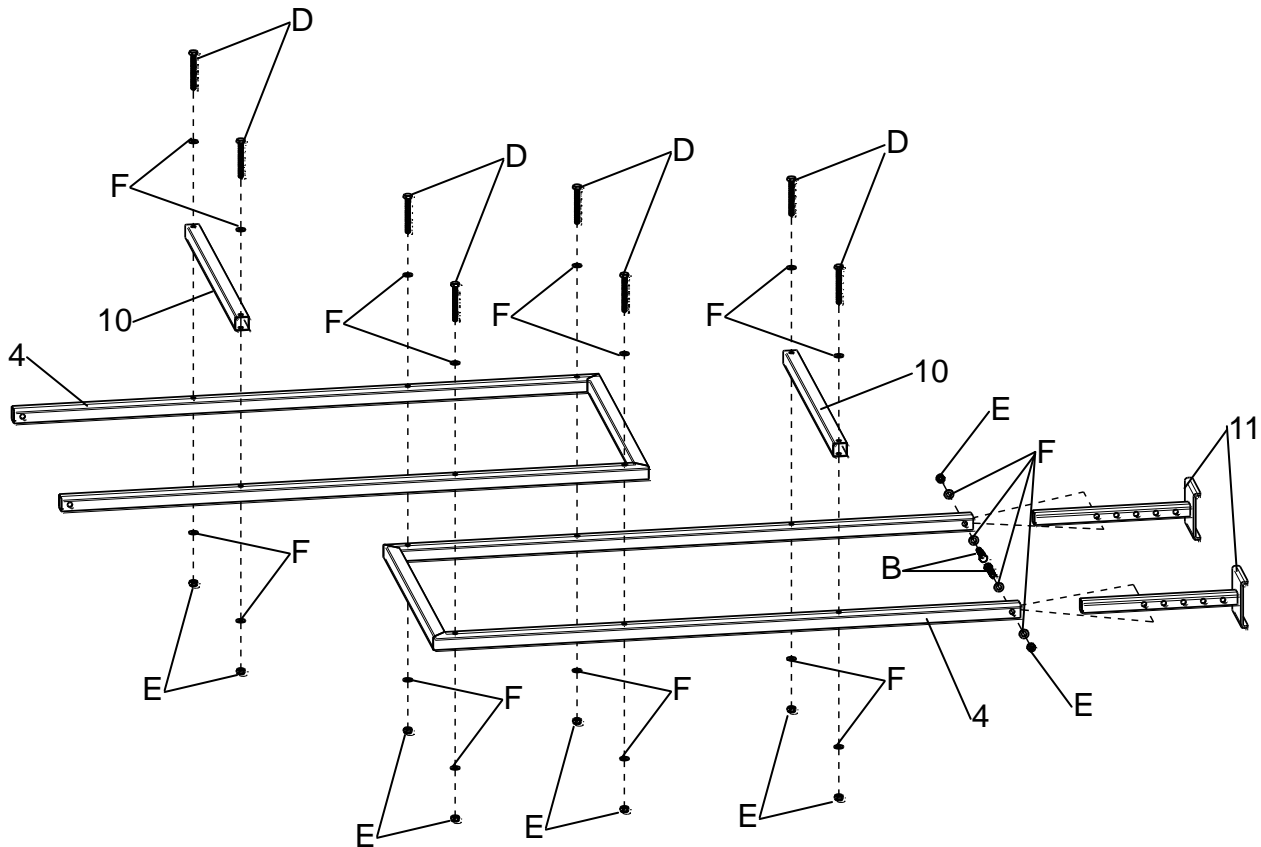
Bolt C (M8x55)

Bolt B (M8x40)

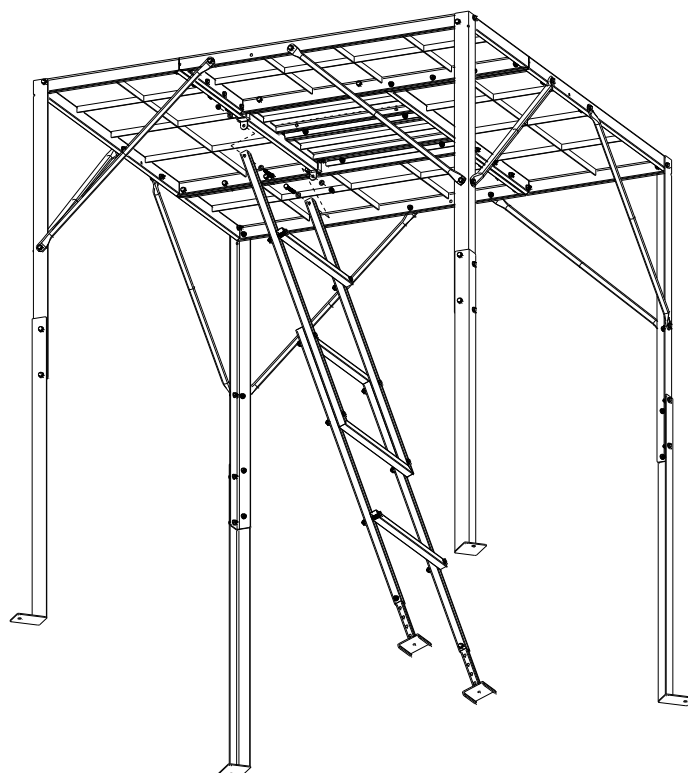
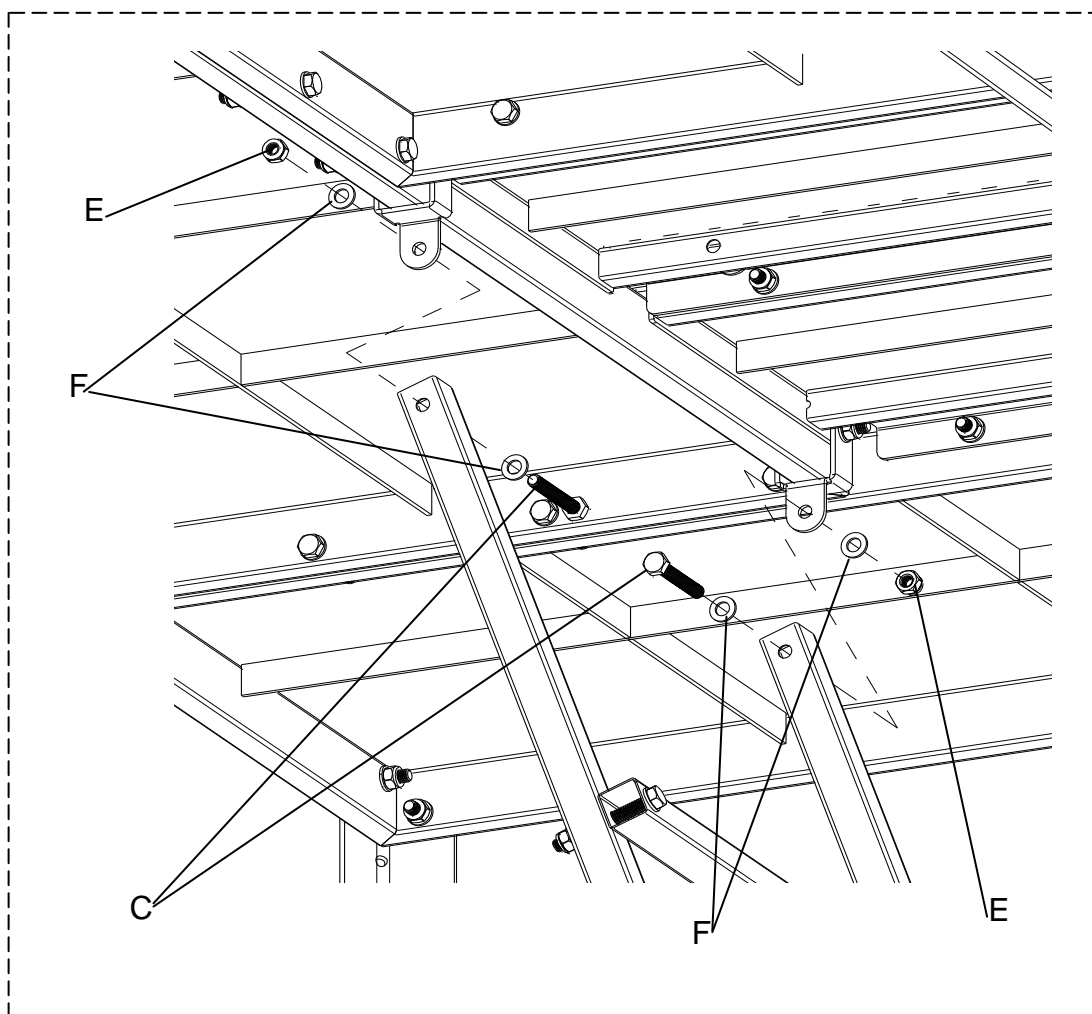
Ladder Hinges on the same side



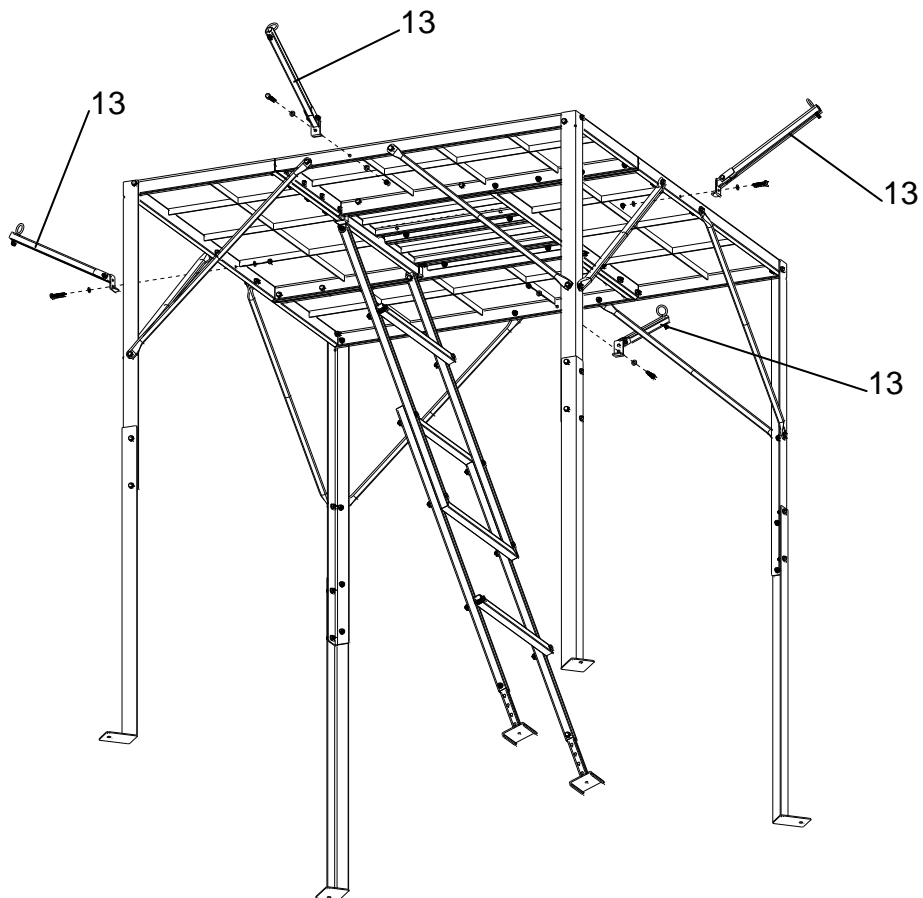
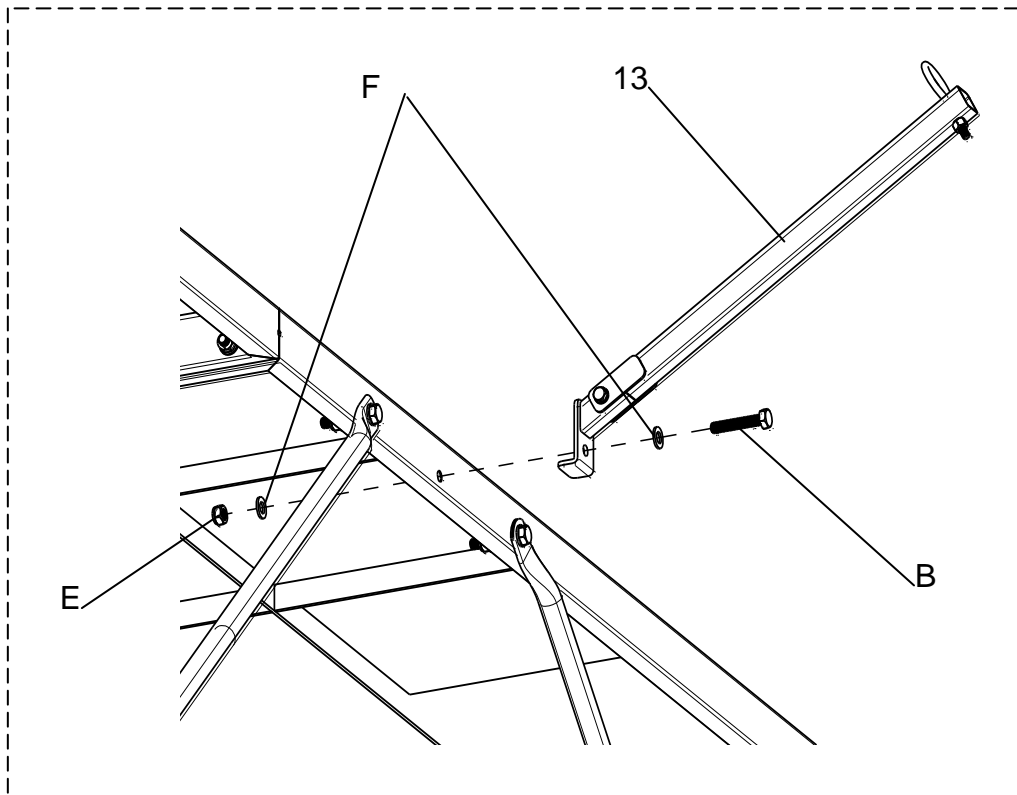
Step 9. Attach Ladder Bar (#10) to the Ladder Frame (#4) using bolts (D,M8x65), washers (F,ID8) and lock nuts (E,M8). Attach Feet (#11) using bolts (B,M8x40), washers (F,ID8) and lock nuts (E,M8). Tighten bolts and nuts.



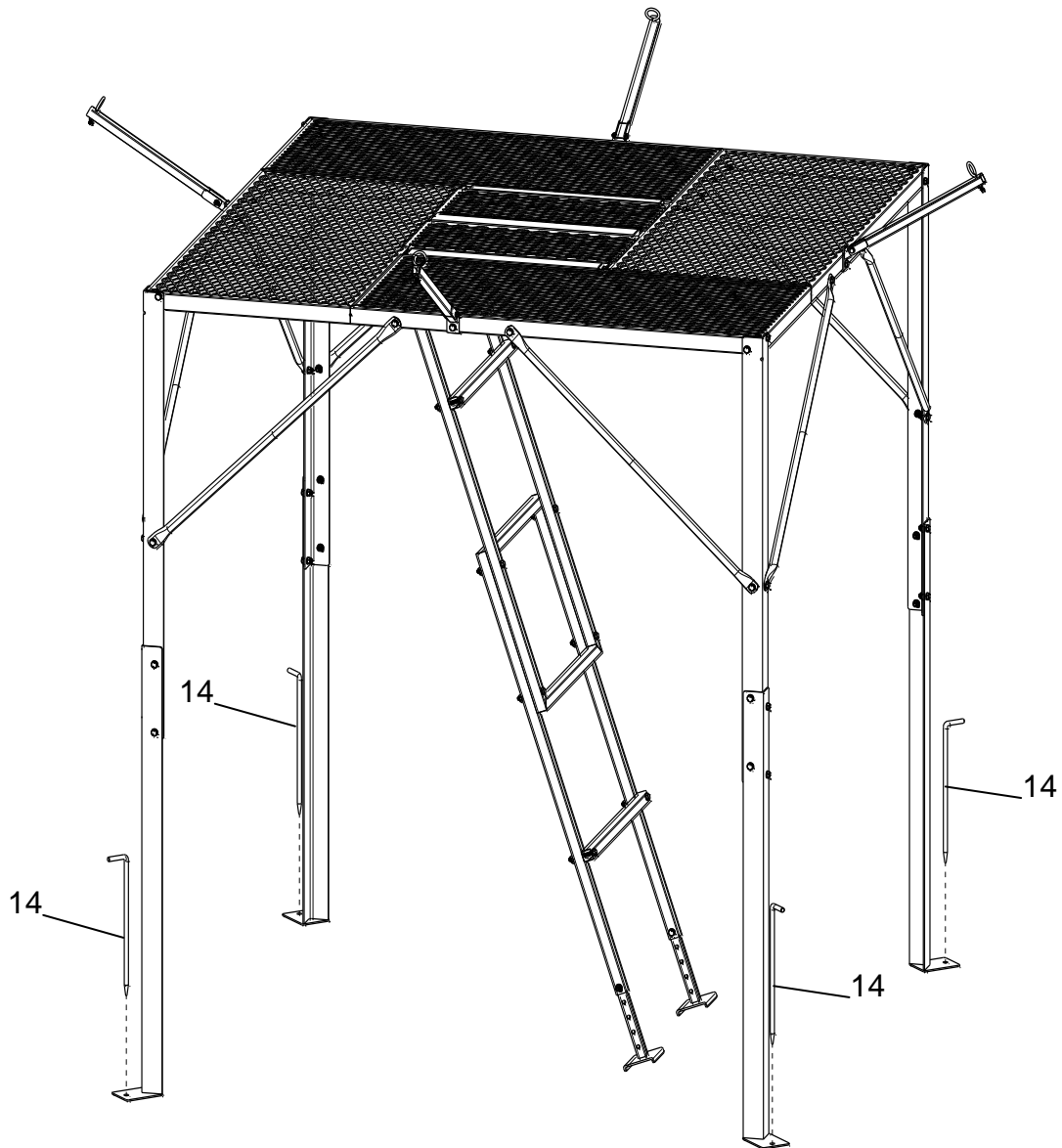
Step 10. Attach ladder to the platform using bolts (C,M8x55), washers (F,ID8) and lock nuts (E,M8). Tighten bolts and nuts.



Step 11. Attach Shelter Support (#13) to the platform using bolts (B,M8x40), washers (F,ID8) and lock nuts (E,M8). Tighten bolts and nuts.



Step 12. Use the Stake (#14) to secure the platform to the ground.

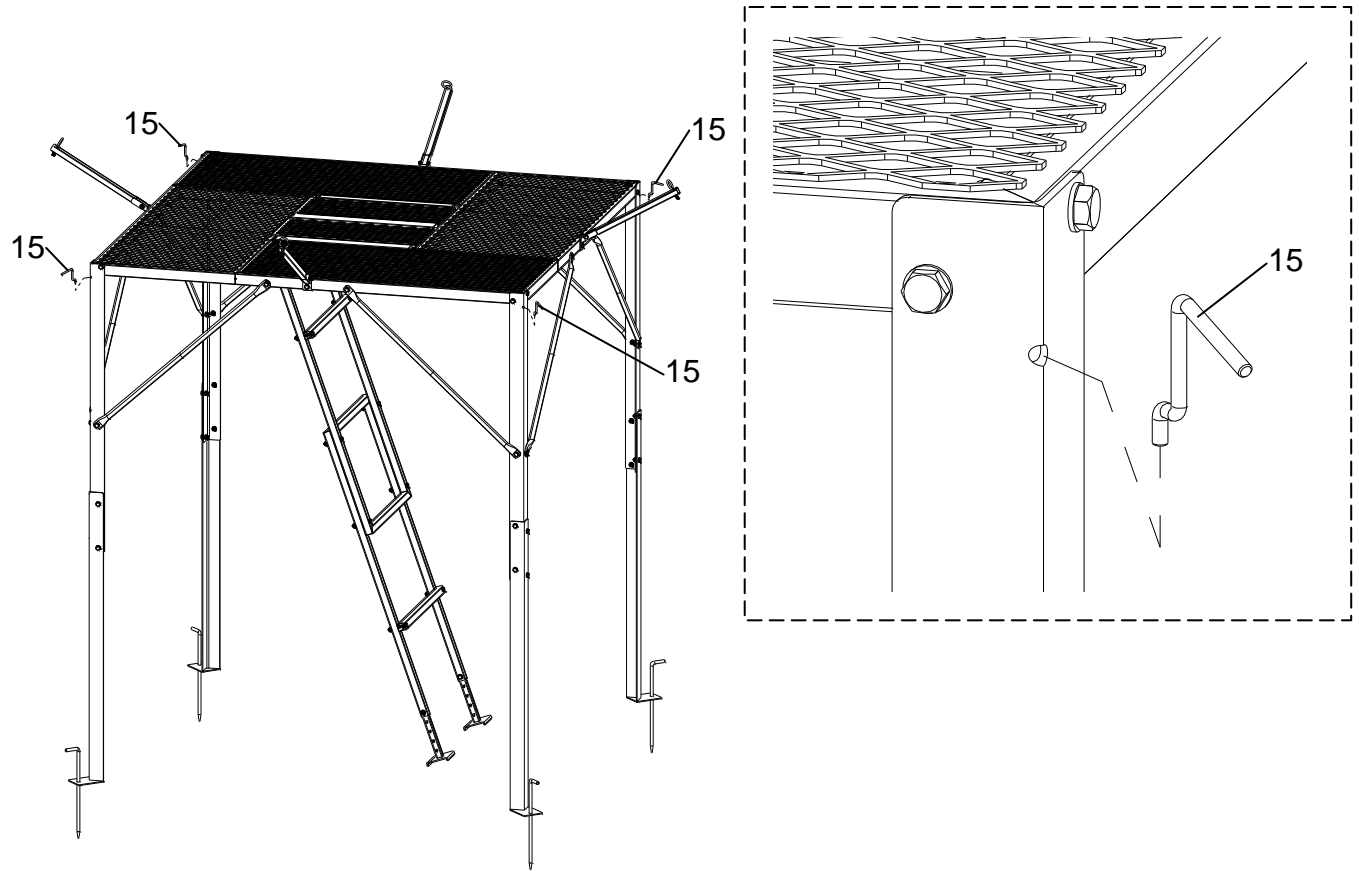


WARNING

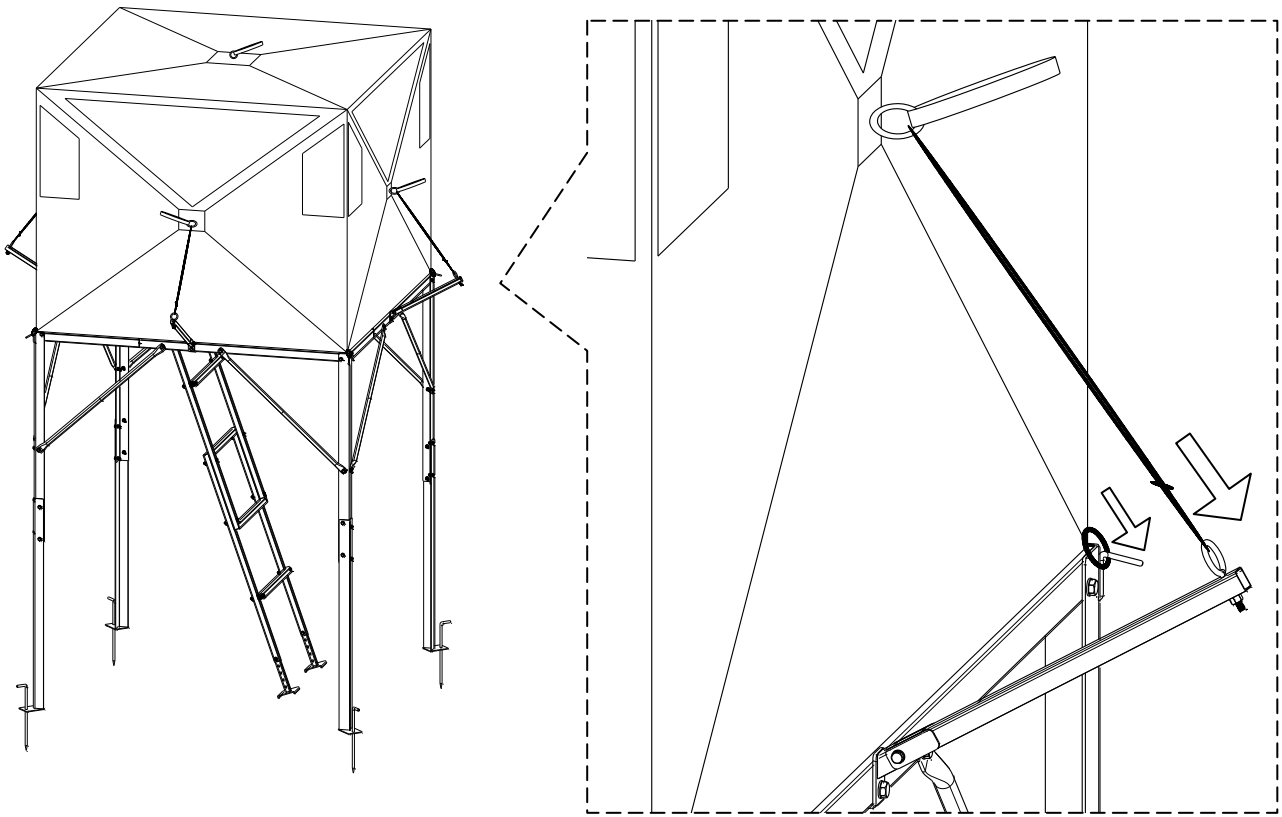


THESE STAKES ARE THE MOST CRITICAL PARTS OF THIS ELEVATED HUNTING PLATFORM. IT IS IMPERATIVE THAT THESE STAKES BE PROPERLY IN PLACE BEFORE CLIMBING ON THE ELEVATED HUNTING PLATFORM.

Step 13. Attach Corner Hook (#15) as per the diagram. Hooks can be used for attaching a shelter (not included).



Step 14. Using Shelter Support (#13) to secure a shelter (not included).



**YOUR ELEVATED HUNTING PLATFORM IS COMPLETELY ASSEMBLED,
BUT...**

KEEP THIS MANUAL FOR FUTURE REFERENCE

**Should you encounter any problem, do not return product to the store.
WE CAN HELP.**

Contact Rankam Customer Service at
customerservice@rankam.com
or at 1-888-837-1380, Mon to Fri, 8:00 a.m. – 5:00 p.m.
Pacific Standard Time

Rankam China Manufacturing Co. Ltd.
18 /F. New Lee Wah Centre
88 Tokwawan Road, Kowloon, Hong Kong

Made in China

LIMITED WARRANTY

1. Manufacturer warrants this Product to be free from defects in workmanship and materials for a period of Ninety (90) days from the date of purchase, PROVIDED claims are submitted, in writing, with proof of purchase.
2. If any part of this item fails because of a manufacturing defect within the Limited Warranty Period, Manufacturer offers to replace such part(s) provide that such parts have not been improperly repaired, altered, or tampered with or subject to misuse, abuse or exposed to corrosive conditions. This Limited Warranty is, however, subject to certain limitations, exclusions, time limits and exceptions (Hereinafter "Conditions") as listed below. Read these Conditions carefully.
3. This Limited Warranty shall be limited to the replacement or repair of any part(s) which Manufacturer determines, after reasonable examination, to have been defective at the time of manufacturing and manufacturer's obligation(s) shall be limited to replacement, if any, of defective part(s) which shall be shipped at Original Purchaser's expense to Original Purchaser's designated shipping address.
4. This Limited Warranty is given to and covers the **ORIGINAL PURCHASER ONLY** and such coverage terminates Ninety (90) days from the date of purchase.
5. **DAMAGE LIMITATION WARNING:** IN NO EVENT SHALL MANUFACTURER BE LIABLE FOR ANY INCIDENTAL OR CONSEQUENTIAL DAMAGES, INCLUDING (BUT NOT LIMITED TO) LOSS OF USE OF THE PRODUCT, LOSS OF TIME, INCONVENIENCE, EXPENSES FOR TRAVEL, TRANSPORTATION LODGING EXPENSES, LOSS BY DAMAGE TO PERSONAL PROPERTY OR LOSS OF INCOME, PROFITS OR REVENUE.
6. **MANUFACTURER'S OBLIGATION:** Manufacturer's liability shall be limited to the delivery of a good, merchantable Product and, if necessary, the repair or replacement, at manufacturer's option, of any defective part or unit.
7. **TRANSFER LIMITATIONS:** This Limited Warranty is not assignable or transferable. It covers only the original purchaser.
8. **RESERVED RIGHT TO CHANGE:** Manufacturer reserves the right to make changes or improvements to products it produces in the future without imposing on itself any obligations to install the same improvements in the products it has previously manufactured.
9. This Limited Warranty gives the Original Purchaser specific legal rights but there may be other rights which vary by jurisdiction.
10. This warranty does not cover the following items:
 - Chips or scratches on painted surfaces
 - Rust or corrosion is not deemed a manufacturing or materials defect
 - Discoloration or loss of paint due to handling during assembly, heat or cleaning products. Paint may require touch up.
 - Paint discoloration over a period of time

IF CUSTOMER SERVICE BECOME NECESSARY:

1. The Original Purchaser is responsible for shipping and handling charges of the returned item(s) and replacement parts, if any.
2. All parts to be replaced will need to be shipped before replacement items will be sent.
3. Follow the Customer Service Representative's instructions exactly. If a return is necessary, it must be packed carefully and shipped prepaid.