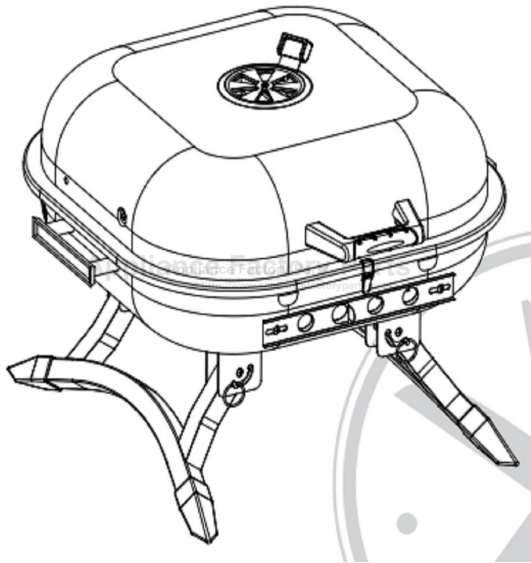


This Owner's Manual is provided and hosted by [Appliance Factory Parts](#).



Rankam TG2172111-MC Owner's Manual

[Shop genuine replacement parts for Rankam
TG2172111-MC](#)



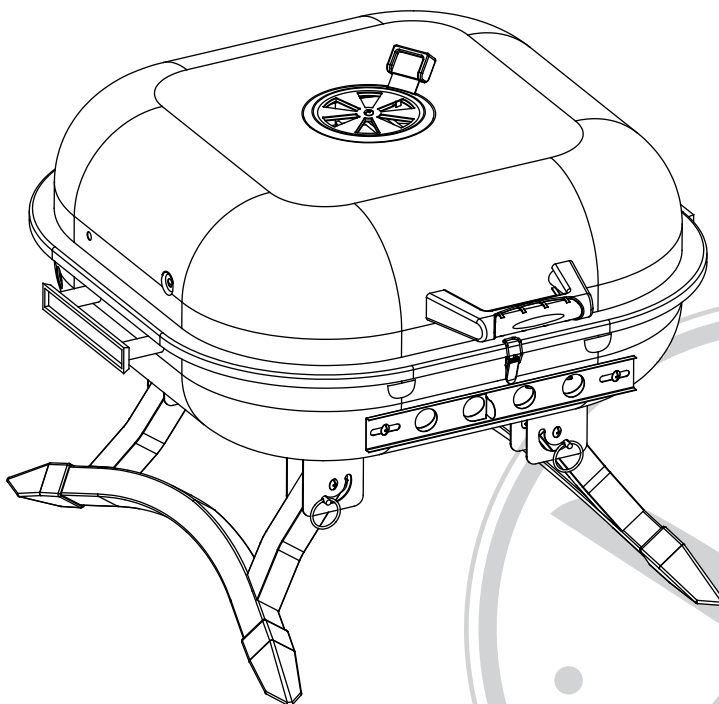
[Find Your Rankam Grill Parts - Select From 123 Models](#)

----- Manual continues below -----

MASTER
Chef™

Portable Charcoal Grill

Product no. 085-2202-6 (TG2172111-MC)



INSTRUCTION MANUAL

Toll-free: 1-855-803-9313

Read this manual thoroughly before using and save it for future reference.

Product no. 085-2202-6 (TG2172111-MC) |

Contact us: 1-855-803-9313

Warnings	2
Product Diagram	3
Component List	4
Hardware List	5
Assembly Instructions	6
Limited Warranty	11

- To the installer or person assembling this appliance: Leave this manual with this appliance for future reference.
- This instruction manual contains important information necessary for the proper assembly and safe use of the appliance.
- Read and follow all warnings and instructions before assembling and using the appliance.
- Follow all warnings and instructions when using the appliance.
- Keep this manual for further reference.

SAFETY SYMBOLS:

The symbols and boxes shown below explain what each heading means.

Read and follow all of the messages found throughout the manual.



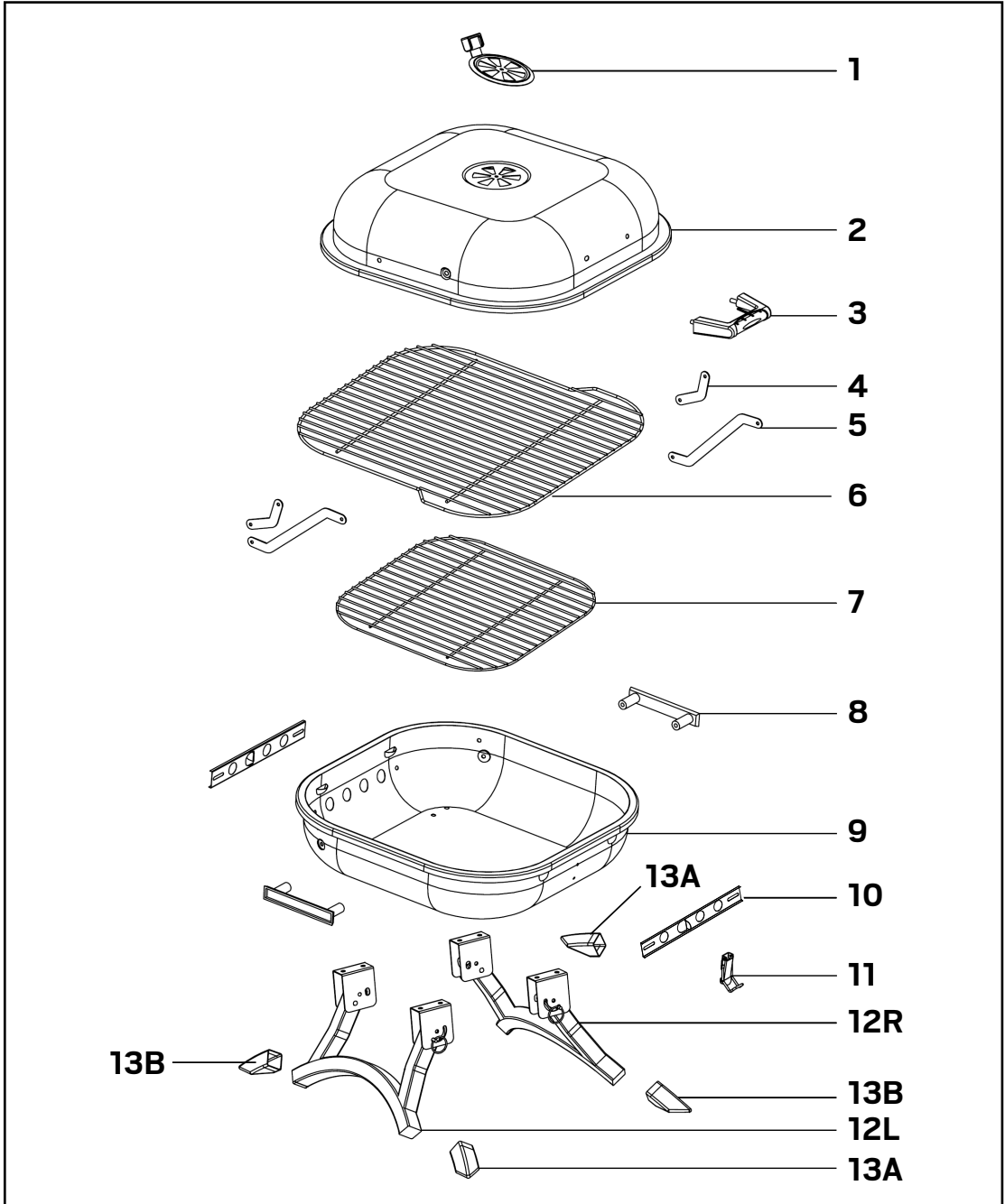
DANGER: Indicates an imminent hazardous situation which, if not avoided, will result in death or serious injury.



WARNING: Indicates a potentially hazardous situation which, if not avoided, could result in death or serious injury.



CAUTION: Indicates a potentially hazardous situation which, if not avoided, may result in minor or moderate injury.











Product no. 085-2202-6 (TG2172111-MC) |

Contact us: 1-855-803-9313

Key No.	Description	Qty.
1	Lid Air Vent	1
2	Lid	1
3	Lid Handle	1
4	Short Lid Bracket	2
5	Long Lid Bracket	2
6	Cooking Grate	1
7	Charcoal Grate	1
8	Body Handle	2
9	Grill Body	1
10	Grill Body Air Vent	2
11	Latch	1
12L	Left Leg Assembly	1
12R	Right Leg Assembly	1
13A	Foot Cap A	2
13B	Foot Cap B	2

The following tools are required for assembly and are not included:

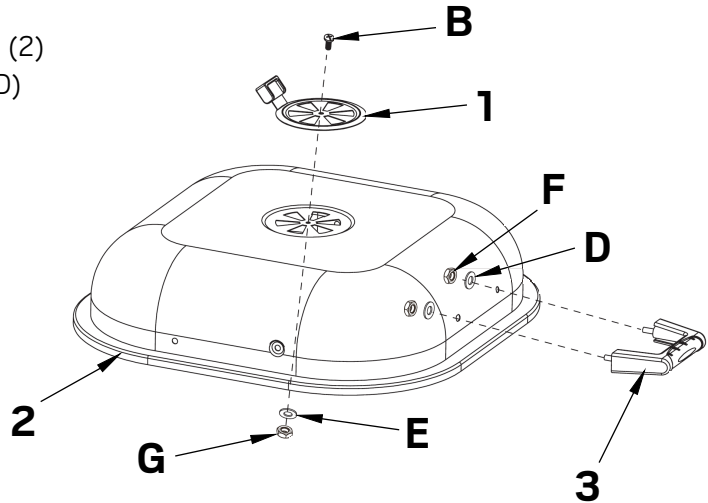
- Pliers
- Philips & Flathead Screwdrivers
- Adjustable Wrench

Part No.	Description	Diagram	Qty.
A	Bolt M6 x 12		12
B	Bolt M5 x 12		13
C	Bolt M3 x 10		2
D	Washer M6 x 12mm Dia.		14
E	Washer M5 x 12mm Dia.		13
F	Nut M6		10
G	Nut M5		13
H	Nut M3		2

Step 1

Attach Lid Handle (3) to Lid (2) by inserting 2 Washer M6 (D) and 2 Nut M6 (F).

Attach Lid Air Vent (1) to Lid (2) by inserting 1 Bolt M5 x 12 (B), 1 Washer M5 (E) and 1 Nut M5 (G).

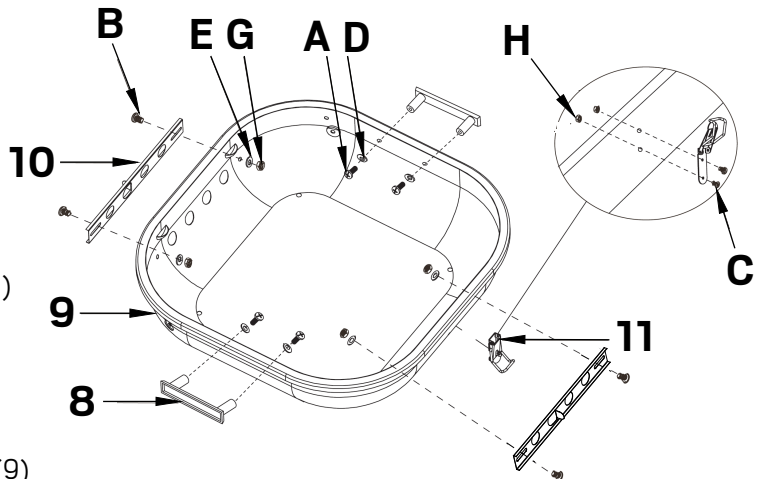


Step 2

Attach Grill Body Handle (8) to left and right side of Grill Body (9) by inserting 2 Bolt M6 x 12 (A) and 2 Washer M6 (D) for each handle.

Attach Grill Body Air Vent (10) to front and rear of Grill Body (9) by inserting 2 Bolt M5 x 12 (B), 2 Washer M5 (E) and 2 Nut M5 (G).

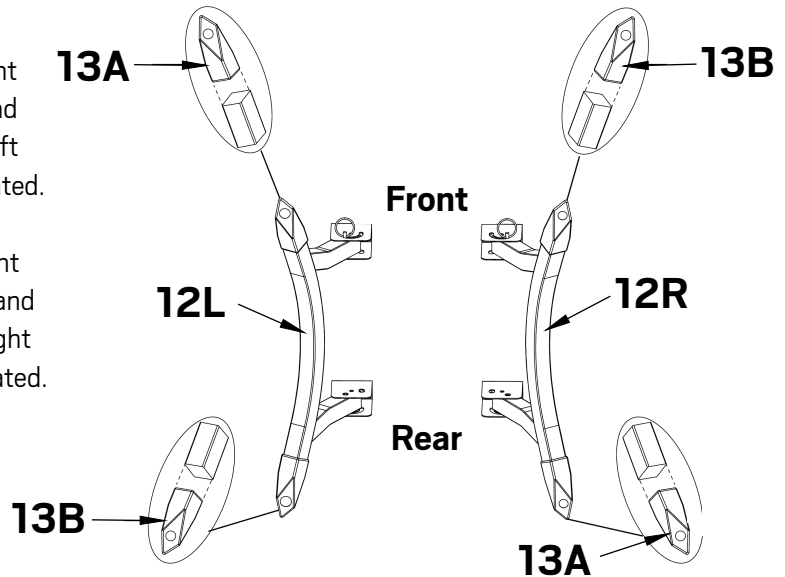
Attach Latch (11) to Grill Body (9) by inserting 2 Bolt M3 x 10 (C) and 2 Nut M3 (H).



Step 3

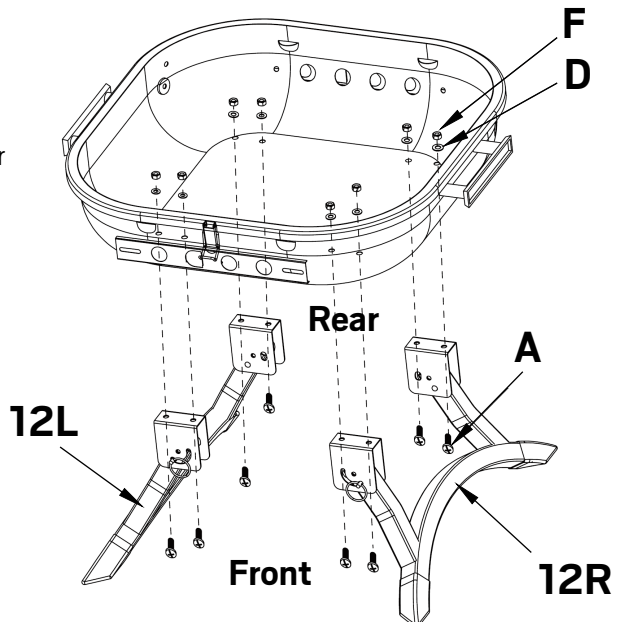
Insert Foot Cap A (13A) to front of Left Leg Assembly (12L) and Foot Cap B (13B) to rear of Left Leg Assembly (12L) as illustrated.

Insert Foot Cap B (13B) to front of Right Leg Assembly (12R) and Foot Cap A (13A) to rear of Right Leg Assembly (12R) as illustrated.



Step 4

Attach Left and Right Leg Assembly (12L & 12R) under Grill Body by inserting 4 Bolt M6 x 12 (A), 4 Washer M6 (D) and 4 Nut M6 (F) for each leg assembly as illustrated.

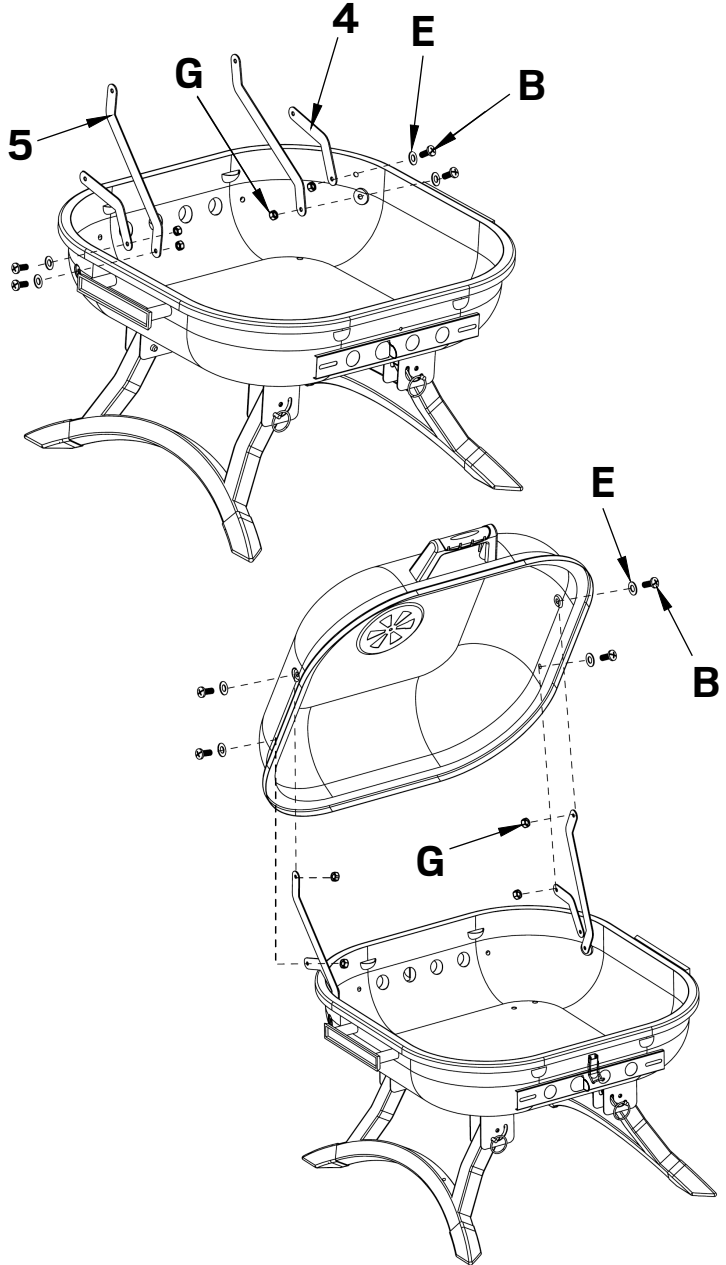


Product no. 085-2202-6 (TG2172111-MC) |
Contact us: 1-855-803-9313

Step 5

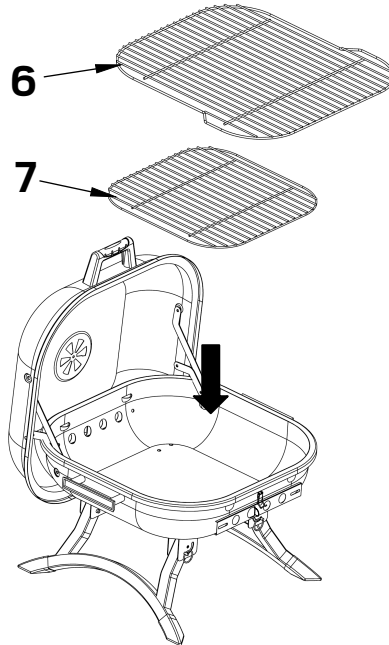
Attach each Short Lid Bracket (4) to both ends of Grill Body and Lid using 4 Bolt M5 x 12 (B), 4 Washer M5 (E) and 4 Nut M5 (G) to connect.

Attach each Long Lid Bracket (5) to both ends of Grill Body and Lid using 4 Bolt M5 x 12 (B), 4 Washer M5 (E) and 4 Nut M5 (G) to connect.



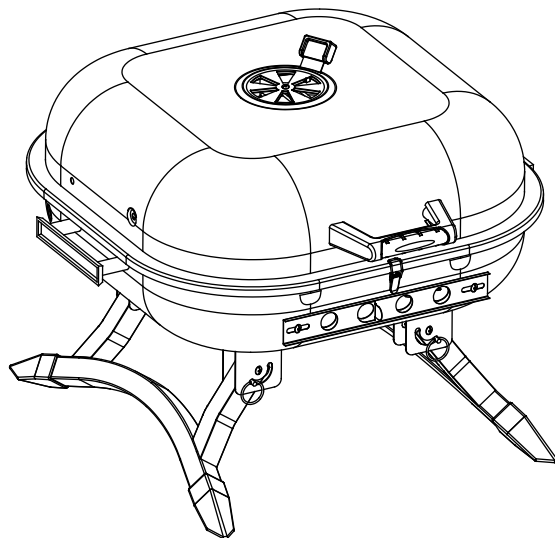
Step 6

Place Charcoal Grate (7)
and Cooking Grate (6) into
the Grill Body.



Step 7

Tighten all Hardwares.
Finished!



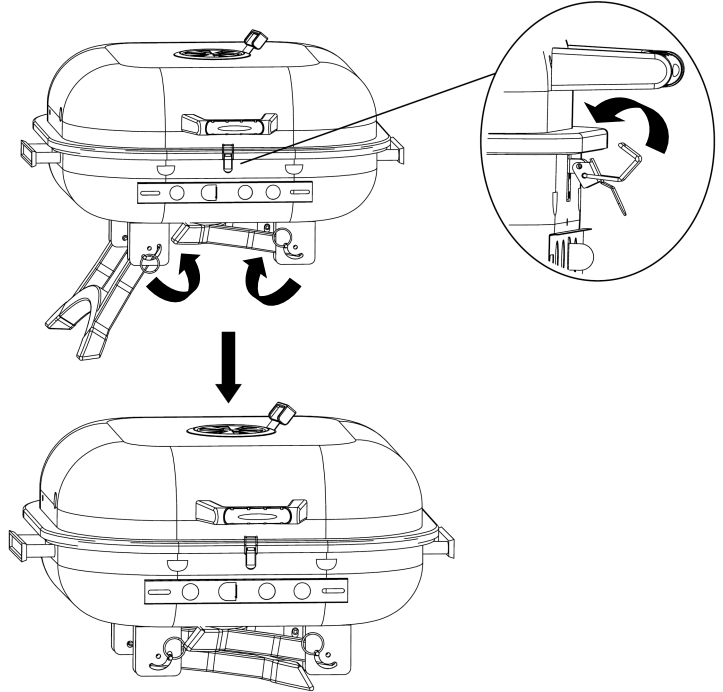
Always unfold the legs during cooking and lighting!

Product no. 085-2202-6 (TG2172111-MC) |
Contact us: 1-855-803-9313

Step 8

Folding Legs for transportation and storage:

1. Close the Lid and lock the Latch.
2. Pull the latch on both leg assemblies to unlock then fold the legs as illustrated.



CAUTION:

- DO NOT fold the legs during cooking and lighting!

1. Limited Warranty

- This product carries a one (1) year warranty against defects in workmanship and materials. Trileaf Distribution agrees to replace a defective product, within the stated warranty period, when returned to the place of purchase with proof of purchase. This product is not guaranteed against wear or breakage due to misuse and/or abuse.
2. The manufacturer warrants this product to be free from defects in workmanship and materials for a period of 1 year from the date of purchase, PROVIDED claims are submitted, in writing, with proof of purchase.
 3. If any part of this item fails because of a manufacturing defect within the limited warranty period, the manufacturer offers to replace such part(s) provided that such parts have not been improperly repaired, altered, or tampered with or subject to misuse, abuse or exposed to corrosive conditions. This limited warranty is, however, subject to certain limitations, exclusions, time limits and exceptions (hereinafter "conditions") as listed below. Read these conditions carefully.
 4. This Limited Warranty shall be limited to the replacement or repair of any part(s) which the manufacturer determines, after reasonable examination, to have been defective at the time of manufacturing and the manufacturer's obligation(s) shall be limited to replacement, if any, of defective part(s) which shall be shipped at the original purchaser's expense to the original purchaser's designated shipping address.
 5. This limited warranty is given to and covers the ORIGINAL PURCHASER ONLY and such coverage terminates 1 year from the date of purchase.
 6. **DAMAGE LIMITATION WARNING: IN NO EVENT SHALL THE MANUFACTURER BE LIABLE FOR ANY INCIDENTAL OR CONSEQUENTIAL DAMAGES, INCLUDING (BUT NOT LIMITED TO) LOSS OF USE OF THE PRODUCT, LOSS OF TIME, LOSS OF FOOD, INCONVENIENCE, EXPENSES FOR TRAVEL AND LODGING EXPENSES, TRANSFORMATION, LOSS BY DAMAGE TO PERSONAL PROPERTY OR LOSS OF INCOME, PROFITS OR REVENUE.**
 7. **MANUFACTURER'S OBLIGATION:** The manufacturer's liability shall be limited to the delivery of a good, merchantable product and, if necessary, the repair or replacement, at the manufacturer's discretion of any defective part or unit.
 8. **TRANSFER LIMITATIONS:** This limited warranty is not assignable or transferable. It covers only the original purchaser.
 9. **RESERVED RIGHT TO CHANGE:** The manufacturer reserves the right to make changes or improvements to products it produces in the future without imposing on itself any obligations to install the same improvements in the products it has previously manufactured.
 10. This limited warranty gives the original purchaser specific legal rights but there may be other rights which vary by jurisdiction.
 11. This warranty does not cover the following items:
 - Chips or scratches on porcelain or painted surfaces.
 - Rust or corrosion, which is not deemed a manufacturing or materials defect.
 - Discolouration or loss of paint due to handling during assembly, heat or cleaning products. Paint may require touch-up.
 - Stainless steel discolouration or corrosion.
 - Consumables such as batteries.

Imported by

Trileaf Distribution Trifeuil Toronto, Canada M4S 2B8



Master Chef Canada
Toronto, Canada M4S 2B8