

This Owner's Manual is provided and hosted by [Appliance Factory Parts](#).



MASTERBUILT MB20060321 Owner's Manual

[Shop genuine replacement parts for MASTERBUILT
MB20060321](#)



[Find Your MASTERBUILT Grill Parts - Select From 590 Models](#)

----- Manual continues below part list -----

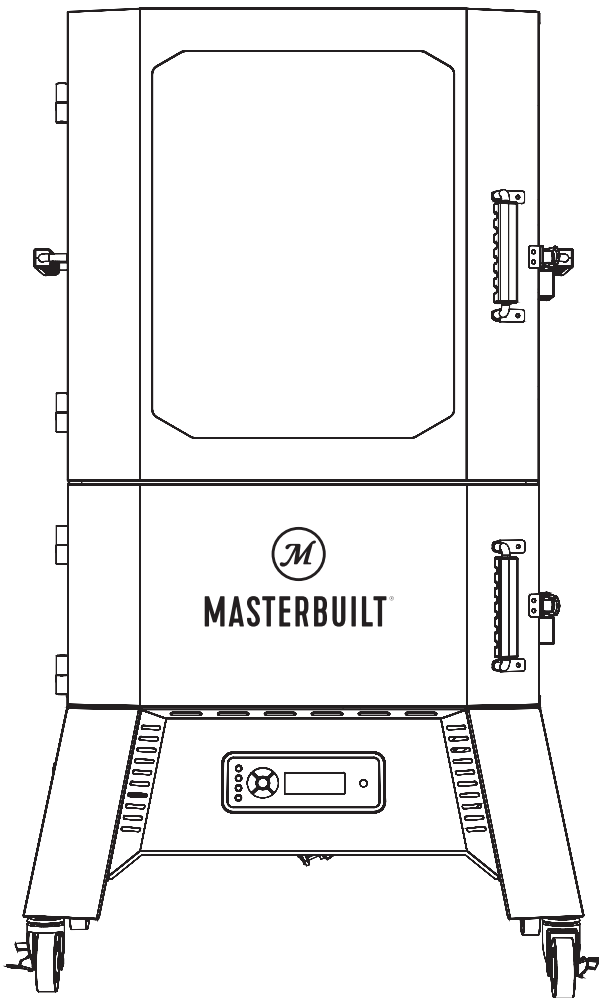
Available Replacement Parts for MASTERBUILT MB20060321

9005100016	Water Bowl Holder
9004190216	Power Adapter
9906200009	Controller Kit
9006200033	Heat Deflector Tent
9006200029	Charcoal Basket (with ignition basket)
9906200005	Upper Door Kit, CS40G1DW
9906200011	Smoking rack kit

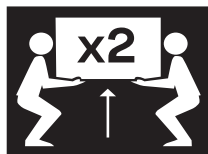


MASTERBUILT®

Welcome to the family. Let's get started.




MASTERBUILT®



Two people Recommend for assembly

CS40G1DW

Digital Charcoal Smoker

Manual applies to the following model number(s)

MB20060321

Your model number

Mfg. Date - Serial Number

These numbers are located on the rating label of the smoker.

IMPORTANT

Please record this information immediately and keep in a safe place for future use.

Manual Code / Código del manual: 9806200002 200831-GH

Master it. Masterbuilt.



WARNING



- This manual contains important information necessary for the proper assembly and safe use of the appliance.
- Read and follow all warnings and instructions before assembling and using the appliance.
- Keep this manual for future reference.



Failure to follow these instructions could result in fire, explosion or burn hazard which could cause property damage, personal injury, or death.



CARBON MONOXIDE HAZARD



- Burning wood chips, wood chunks, wood pellets, charcoal and propane gives off carbon monoxide, which has no odor and can cause death.
- DO NOT burn wood chips, wood chunks, wood pellets, charcoal or propane inside homes, vehicles, tents, garages or any enclosed areas.
- USE ONLY OUTDOORS where it is well ventilated.



WARNINGS AND IMPORTANT SAFEGUARDS



READ ALL INSTRUCTIONS

- Before each use, remove and clean the grease tray. Remove the grease tray of all grease and drippings before lighting the smoker.
- Always use smoker in accordance with all applicable local, state, and federal fire codes.
- Before each use check all nuts, screws, and bolts to make sure they are tight and secure.
- Never operate smoker under combustible overhead construction such as roof coverings, carports, awnings, or overhangs.
- Smoker is for OUTDOOR HOUSEHOLD USE ONLY.
- Never use inside enclosed areas such as patios, garages, buildings, or tents.
- Never use inside or on recreational vehicles or boats.
- Maintain a minimum distance of 10ft (3m) from overhead construction, walls, rails or other structures.
- Keep a minimum 10ft (3m) clearance of all combustible materials such as wood, dry plants, grass, brush, paper, or canvas.
- Never use smoker for anything other than its intended use. This smoker is NOT for commercial use.
- Accessory attachments not supplied by Masterbuilt Manufacturing, LLC are NOT recommended and may cause injury.
- Use of alcohol, prescription, or non-prescription drugs may impair user's ability to properly assemble or safely operate smoker.
- Keep a fire extinguisher accessible at all times while operating smoker.
- When cooking with oil or grease, have a type BC or ABC fire extinguisher readily available.
- In the event of an oil or grease fire do not attempt to extinguish with water. Immediately call the fire department. A type BC or ABC fire extinguisher may, in some circumstances, contain the fire.
- Use smoker on a level, non-combustible, stable surface such as dirt, concrete, brick, or rock. An asphalt surface (blacktop) may not be acceptable for this purpose.
- Smoker MUST be on the ground. Do not place smoker on tables or counters. DO NOT move smoker across uneven surfaces.
- Do not use smoker on wooden or flammable surfaces.
- Keep smoker clear and free from combustible materials such as gasoline and other flammable vapors



WARNINGS AND IMPORTANT SAFEGUARDS



and liquids.

- Do not leave smoker unattended.
- Keep children and pets away from smoker at all times. Do NOT allow children to use smoker. Close supervision is necessary when children or pets are in the area where smoker is being used.
- Do NOT allow anyone to conduct activities around smoker during or following its use until it has cooled.
- Never use glass, plastic, or ceramic cookware in smoker. Never place empty cookware in smoker while in use.
- Never move smoker when in use. Allow smoker to cool completely (below 115°F (45°C)) before moving or storing.
- Do not store smoker with hot ashes or charcoal inside smoker/hopper. Store only when fire is completely out and all surfaces are cold.
- Never use smoker as a heater (READ CARBON MONOXIDE HAZARD).
- The smoker is HOT while in use and will remain HOT for a period of time afterwards and during cooling process. Use CAUTION. Wear protective gloves/mitts.
- Be careful when removing food from smoker. All surfaces are HOT and may cause burns. Use protective gloves/mitts or long, sturdy, cooking tools for protection from hot surfaces or splatter from cooking liquids.
- DO NOT bump or impact the smoker to prevent personal harm, damage to smoker, or spillage/splashing of hot cooking liquid.
- Do not touch HOT surfaces
- Smoker is hot during use. To avoid burns, keep face and body away from door(s) and vents. Steam and hot air are expelled during use.
- Smoker has an open flame. Keep hands, hair, and face away from flame. Do NOT lean over smoker when lighting. Loose hair and clothing may catch fire.
- DO NOT obstruct flow of combustion and ventilation.
- Do not cover cooking racks with metal foil. This will trap heat and may cause damage to the smoker.
- Never leave HOT coals or ashes unattended.
- Do not remove ashes while ashes and charcoal are HOT.
- Keep hands, hair, and face away from the burning charcoal. Be careful of loose hair and clothing during operation as they could catch fire.
- Use protective gloves when handling this smoker or working with fire. Use protective gloves or long, sturdy fireplace tools when adding wood or charcoal.
- Never use charcoal lighting fluid, gasoline, alcohol or other highly volatile fluids to ignite charcoal. These fluids can explode causing injury or death. Always follow specific lighting instructions for this smoker.
- Never overfill charcoal basket. This can cause serious injury as well as damage to the smoker.
- Dispose of cold ashes by placing them in aluminum foil, soaking with water, and discarding in a non-combustible container.
- When using electrical appliances, basic safety precautions should always be followed including the following: 1) Do not plug in the appliance until fully assembled and ready for use. 2) Use only approved grounded electrical outlet. 3) Do not use during an electrical storm. 4) Do not expose appliance to rain or water at any time.
- To protect against electrical shock do not immerse cord, plug or control panel in water or other liquid.
- Do not operate any appliance with a damaged cord or plug, or after appliance malfunctions or has been damaged in any manner.
- Extension cords may be used if care is exercised in their use. • If an extension cord is used: 1) The marked electrical rating of the extension cord should be at least as great as the electrical rating of the appliance; and 2) the cord should be arranged so that it will not drape over the counter top or tabletop where it can be pulled by children or tripped over unintentionally.
- The extension cord must be a grounding-type 3-wire cord.
- Outdoor extension cords must be used with outdoor use products and are marked with suffix “W” and with the statement “Suitable for Use with Outdoor Appliances.”
- CAUTION - To reduce the risk of electric shock, keep extension cord connection dry and off the ground.
- Do not let cord hang on or touch hot surfaces.
- Do not place cord on or near a gas or electric burner or in a heated oven.
- To disconnect, turn controller “OFF” then remove plug from outlet.
- Unplug from outlet when not in use and before cleaning. Allow appliance to cool completely before adding/removing internal components.



WARNINGS AND IMPORTANT SAFEGUARDS



- Do not clean this product with a water sprayer or the like.
- Smoker should only be rolled on smooth surface.
- Smoker should never be rolled up/down stairs or uneven surface.
- Potential damage to smoker or harm to user may result from failure to follow warnings.
- Never open burn chamber during use.
- Never operate the smoker with the temperature probe removed. This can cause the smoker to overheat and cause serious personal injury and/or damage to the smoker.
- Do not cook before the fuel has a coating of ash.
- Do not use indoors.
- **WARNING!** Do not use spirit or petrol for lighting or relighting! Use only firelighters complying to EN 1860-3!
- **WARNING!** This barbecue will become very hot, do not move during operation.
- **WARNING!** Keep children and pets away.
- Do not use the barbecue in a confined and/or habitable space e.g. houses, tents, caravans, motor homes, boats. Danger of carbon monoxide poisoning fatality.
- Never remove charcoal basket from smoker while coals are hot.
- **WARNING!** Do not use spirit or petrol for lighting or re-lighting! Use only firelighters complying to EN 1860-3!

This device complies with Industry Canada licence-exempt RSS standard(s). Operation is subject to the following two conditions:

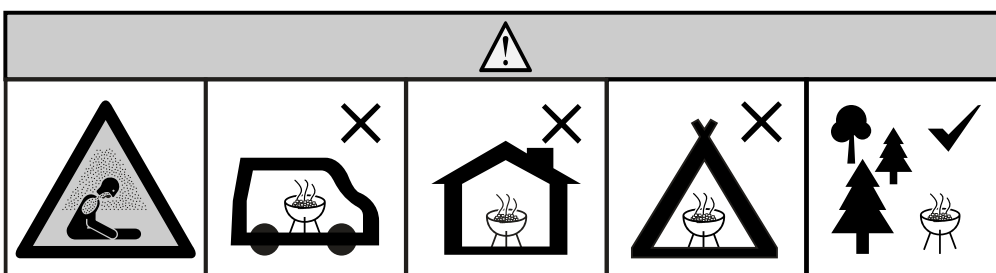
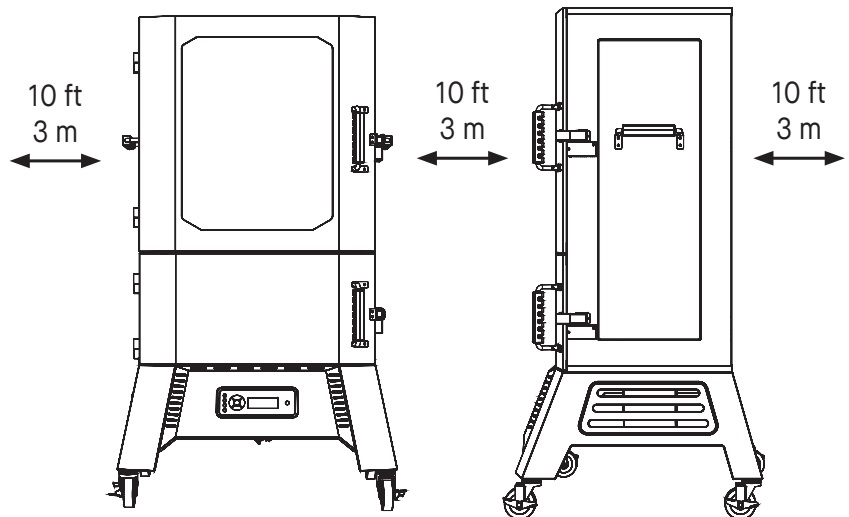
- (1) This device may not cause interference, and
- (2) This device must accept any interference, including interference that may cause undesired operation of the device.

This equipment complies with IC radiation exposure limits set forth for an uncontrolled environment. This equipment should be installed and operated with minimum distance 20cm between the radiator & your body.

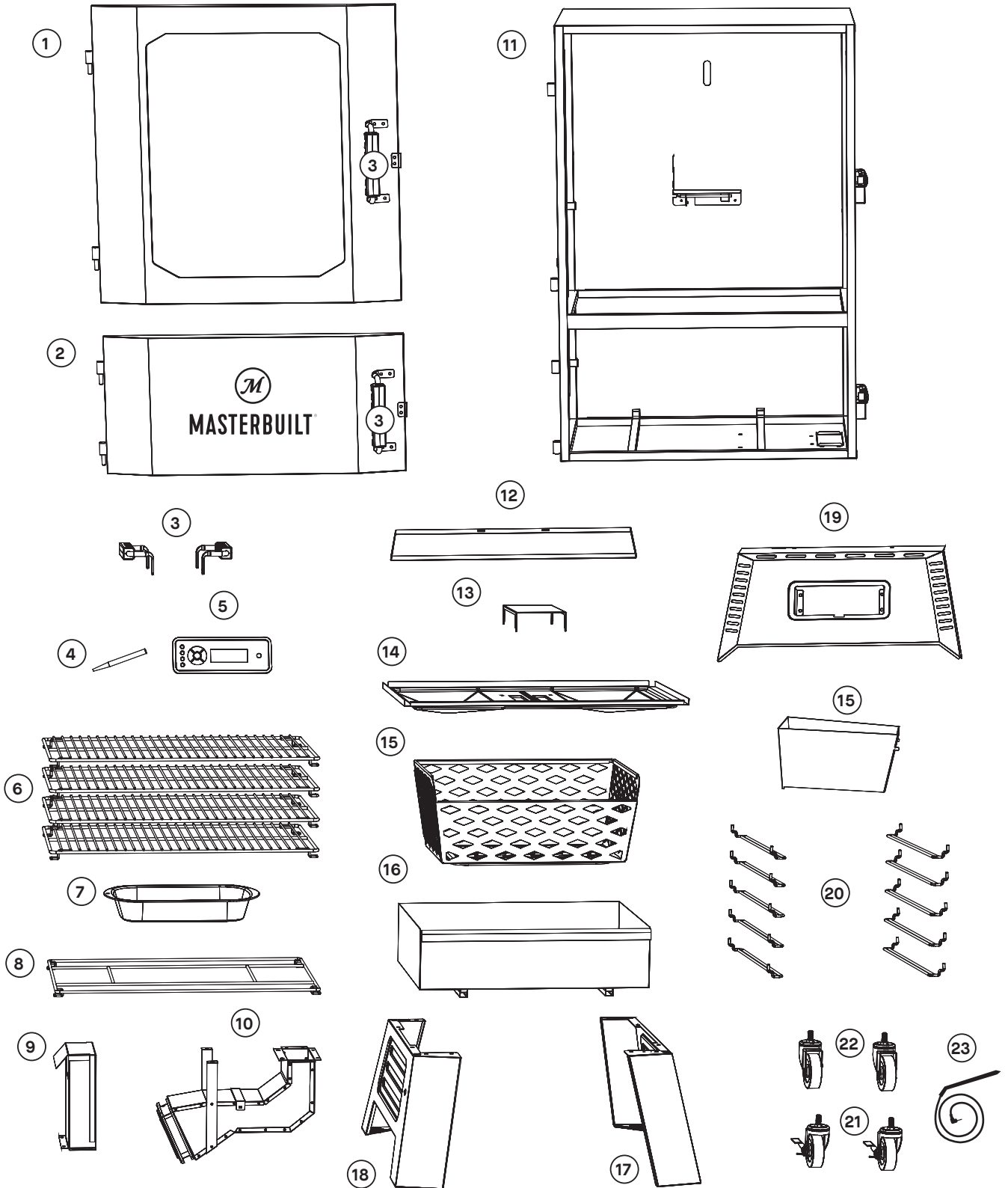
SMOKER DOES NOT COME WITH CHARCOAL OR WOOD CHIPS.

Structural Proximity and Safe Usage Recommendations

REMINDER: Maintain a minimum distance of 10 feet from rear and sides to walls, rails or other combustible construction. This clearance provides adequate space for proper combustion, air circulation and venting. Should not be used on combustible materials like decks or other combustible materials.



Parts Diagram



Parts List

NO.	QTY.	DESCRIPTION	NO.	QTY.	DESCRIPTION
1	1	Top Door	13	1	Heat Deflector Tent
2	1	Bottom Door	14	1	Grease Tray
3	4	Handle	15	1	Charcoal Basket and Partition
4	1	Antenna	16	1	Ash Tray
5	1	Controller	17	1	Right Legs
6	4	Rack	18	1	Left Legs
7	1	Water Bowl	19	1	Front Leg Brace
8	1	Water Bowl Rack	20	10	Rack Support
9	1	Fan Tube	21	2	Locking Casters
10	1	Lower Fan Tube Assembly	22	2	Non Locking Casters
11	1	Body	23	1	Meat Probe
12	1	Rear Leg Brace		1	Power Cord (not pictured)

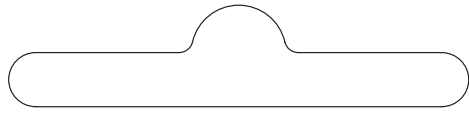
• **BEFORE ASSEMBLY READ ALL INSTRUCTIONS CAREFULLY.**

- Assemble on a clean flat surface.
- Recommend assembling on cardboard to avoid oil residue on floors or scratches.
- Gloves recommended for assembly.
- Tools needed: Phillips head screwdriver, adjustable wrench, 19mm socket wrench.
- Approximate assembly time: 45 minutes.
- Recommend two people assemble to increase ease and reduce assembly time.
- Actual product may differ from picture shown.
- It is possible that some assembly steps have been completed in the factory.
- **Remove all printed labels from the smoker before use.**

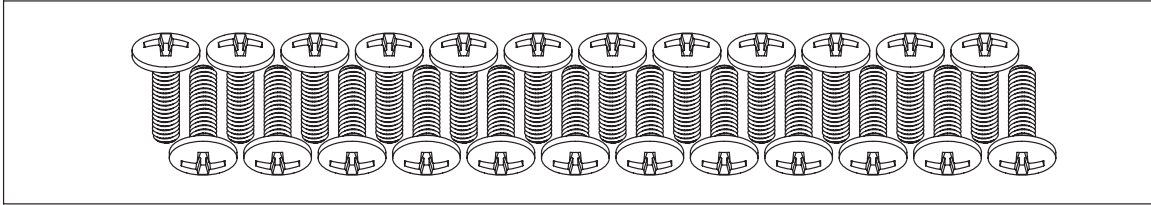


DO NOT RETURN TO RETAILER for assembly assistance, missing or damaged parts. Please contact MASTERBUILT Customer Service at www.masterbuilt.com/pages/support. Please have the model number and serial number available. These numbers are located on the silver rating label on the smoker.

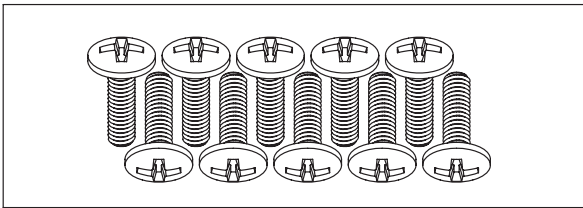
Hardware



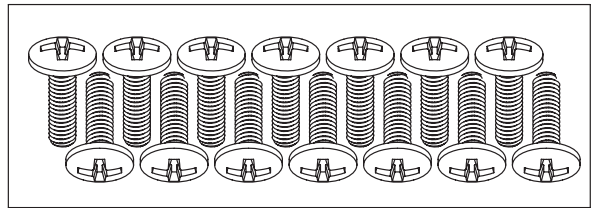
A M4*14



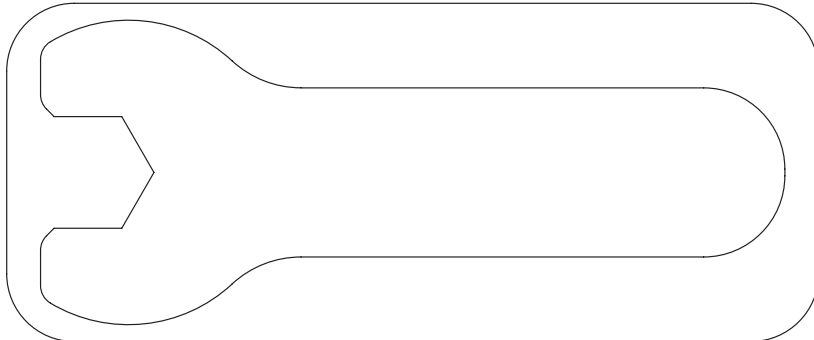
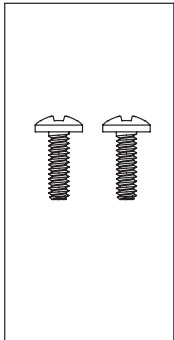
B M5*14



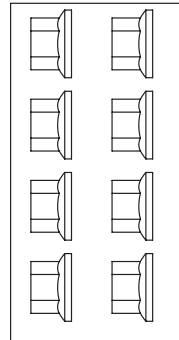
C M6*14



D ST3*12



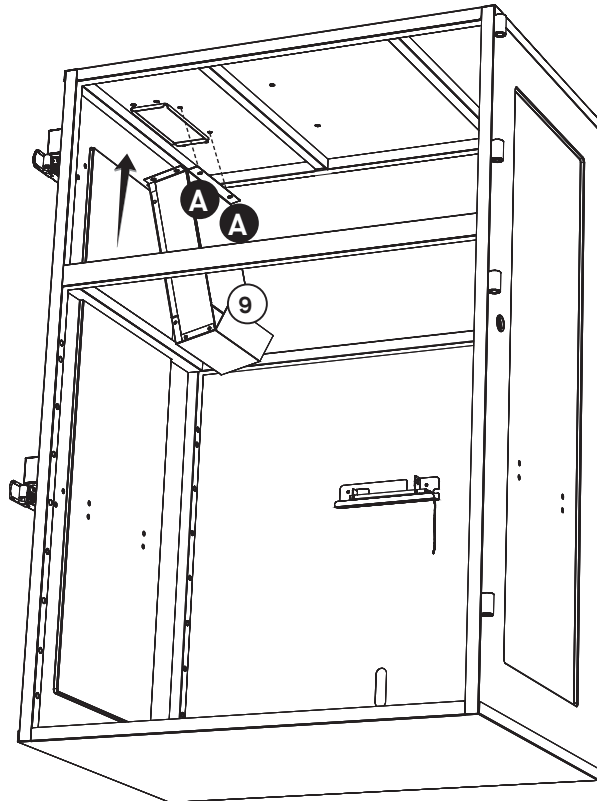
E M4



KEY	QTY.	DESCRIPTION
A	24	M4X14
B	10	M5X14
C	14	M6X14
D	2	ST3X12
E	8	M4 NUT

1

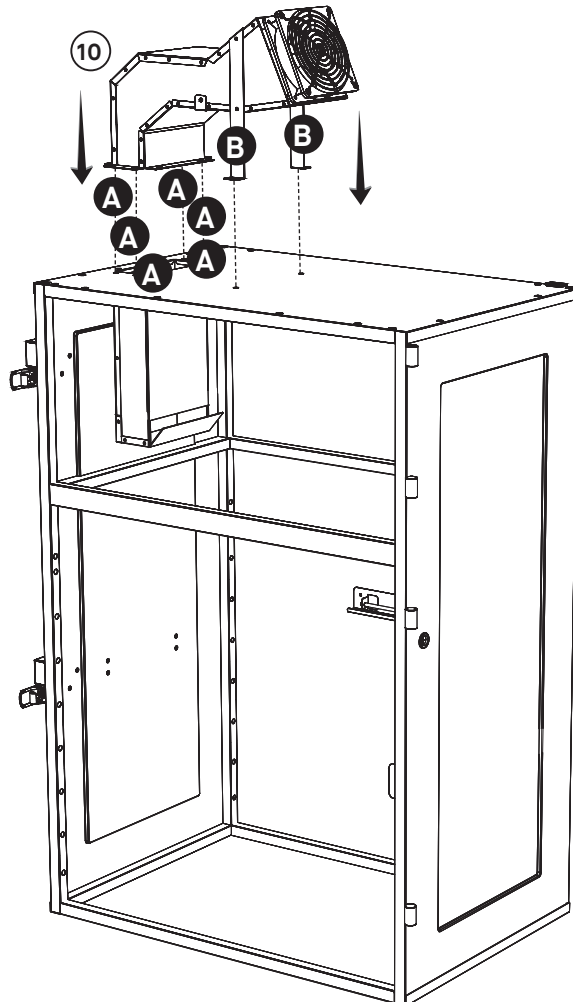
A
X2



2

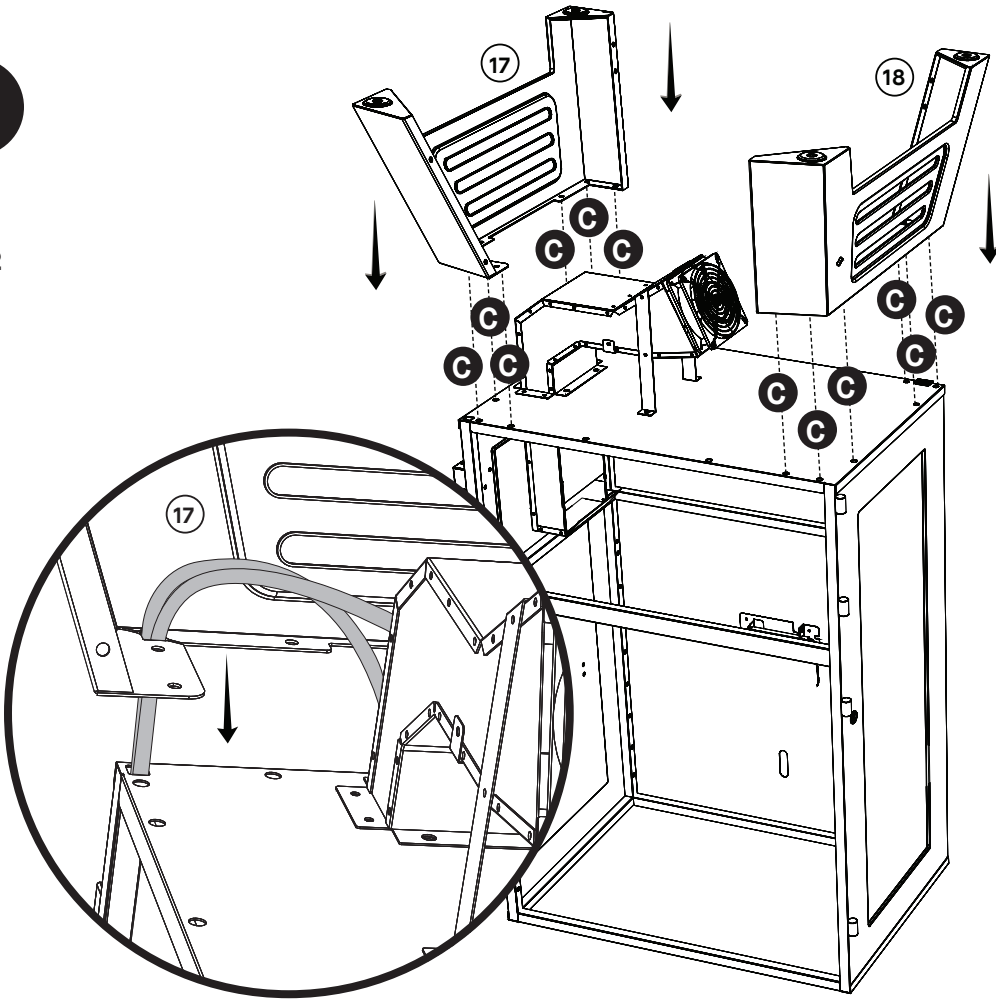
A
X6

B
X2



3

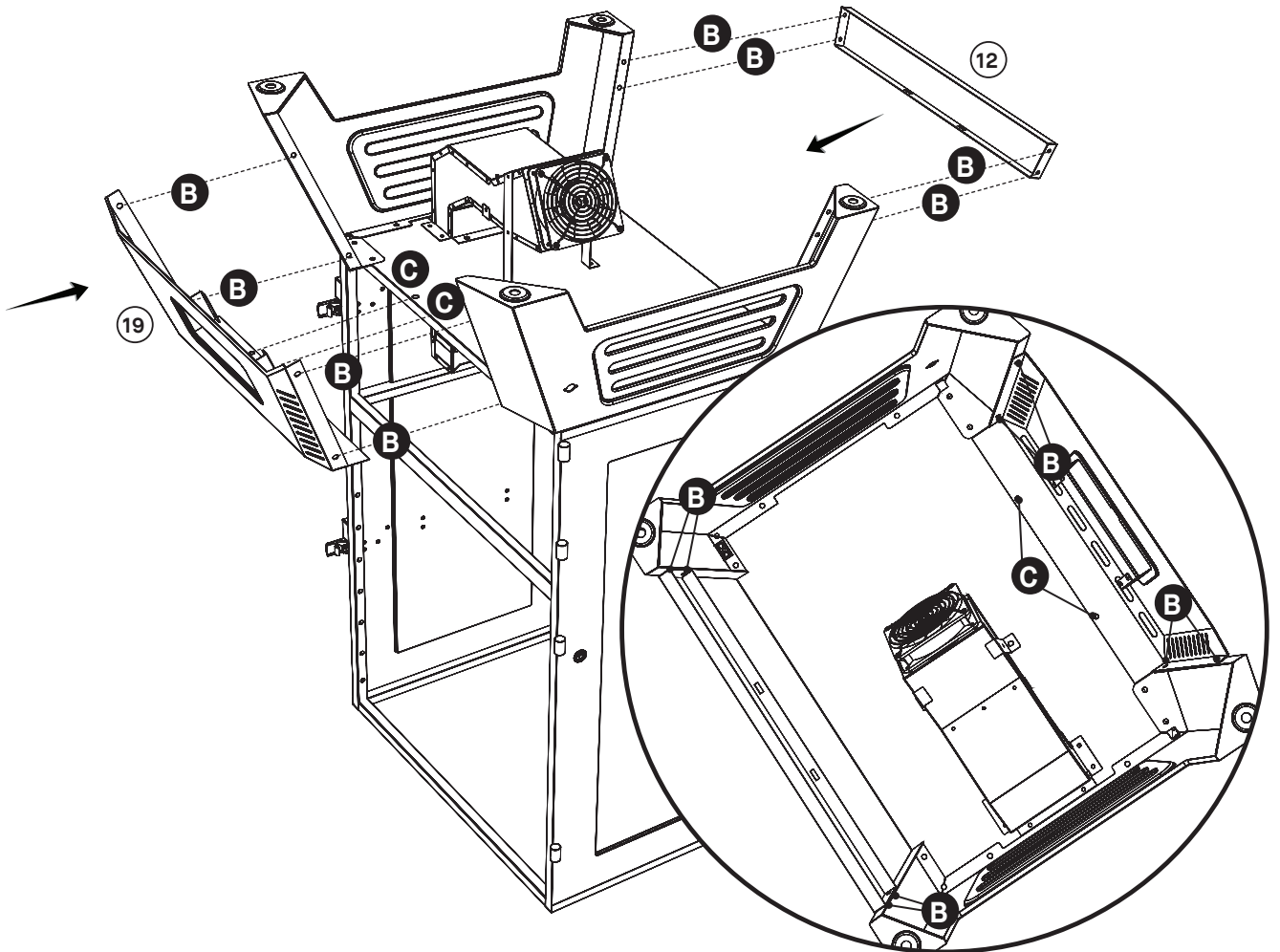
C
X12



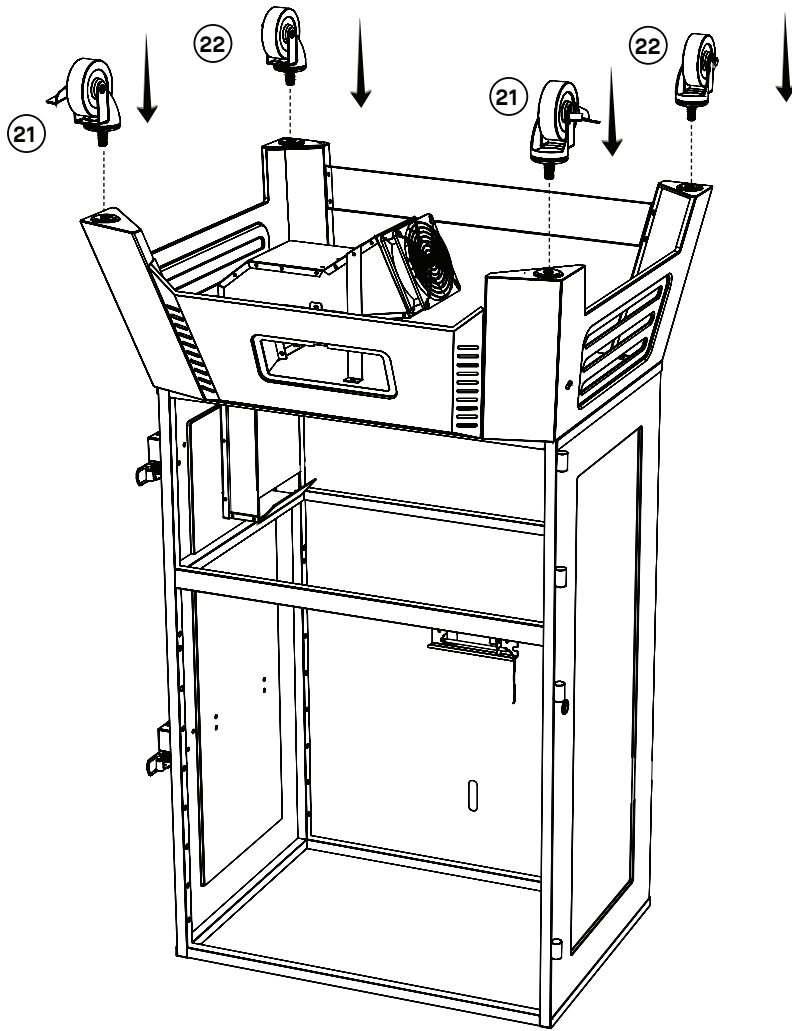
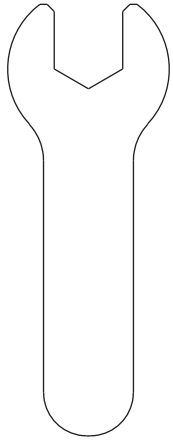
4

C
X2

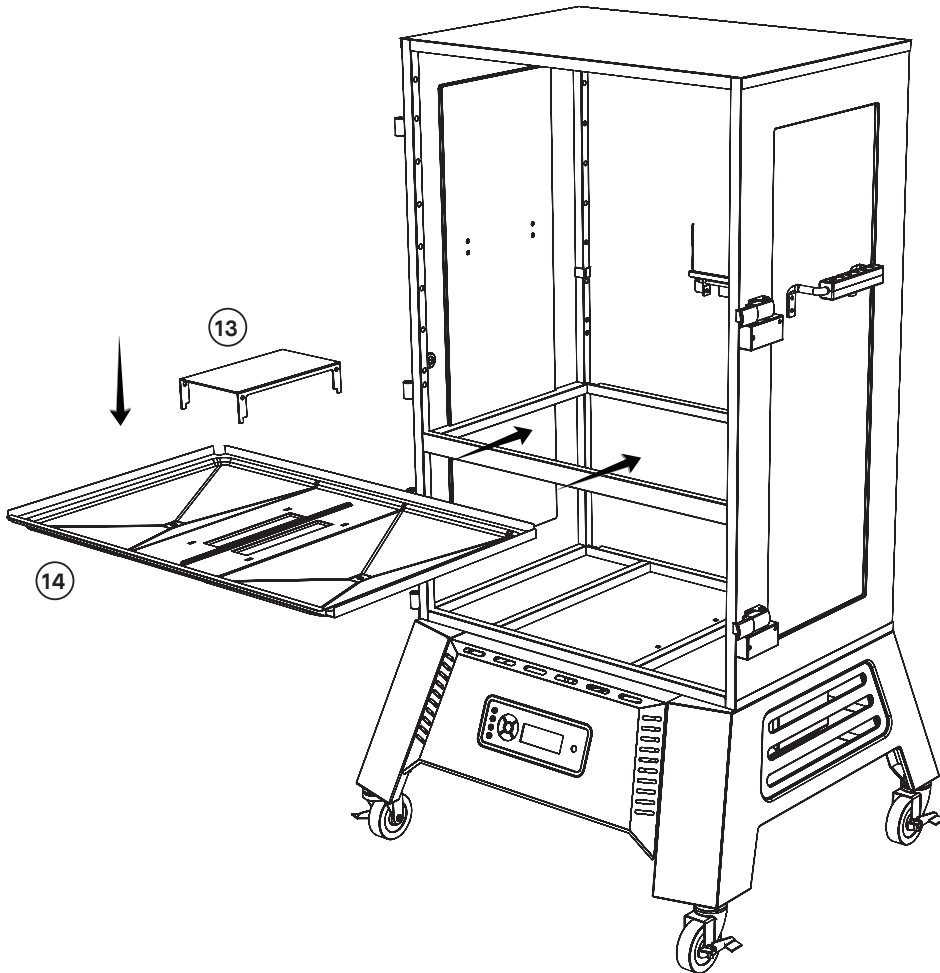
B
X8



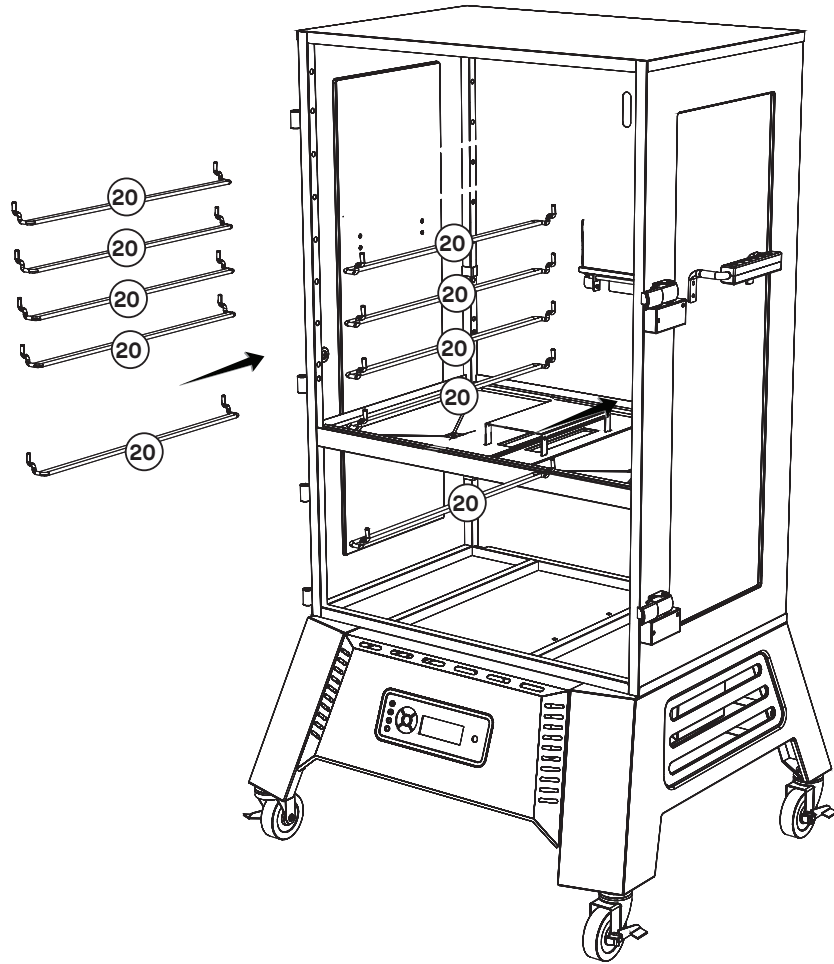
5



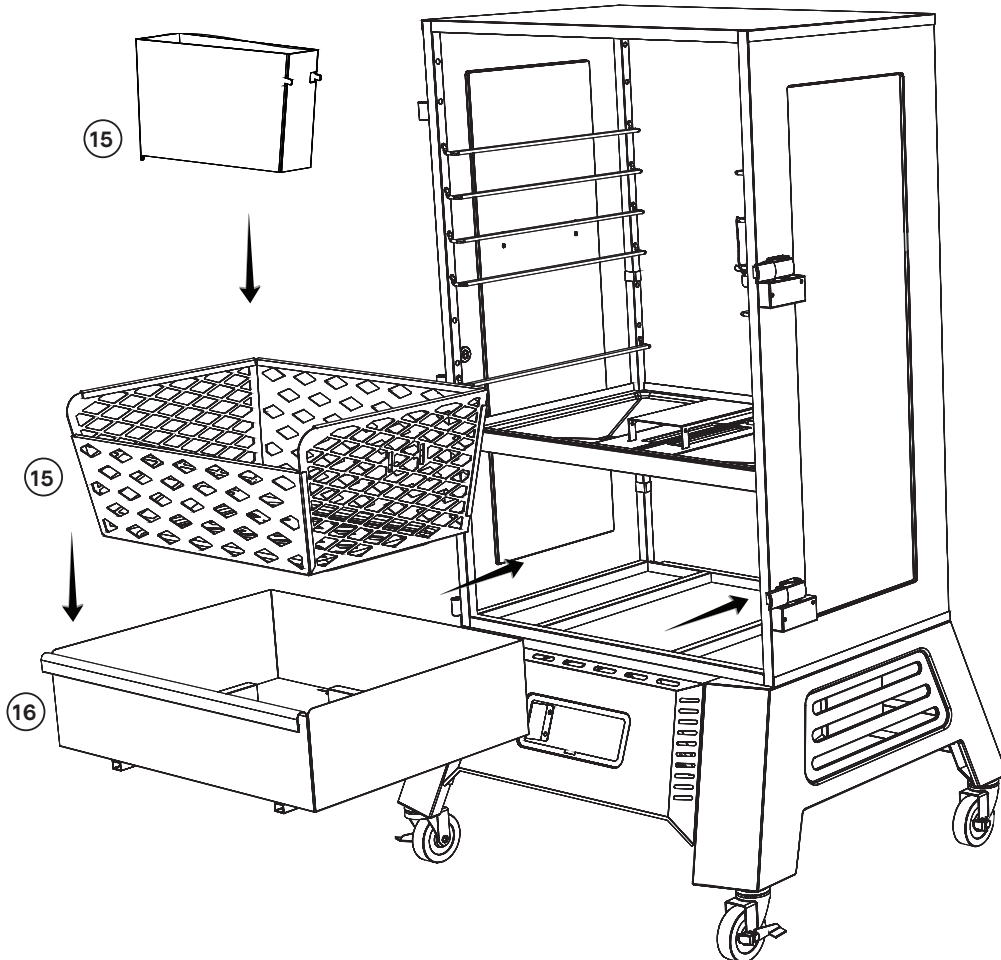
6



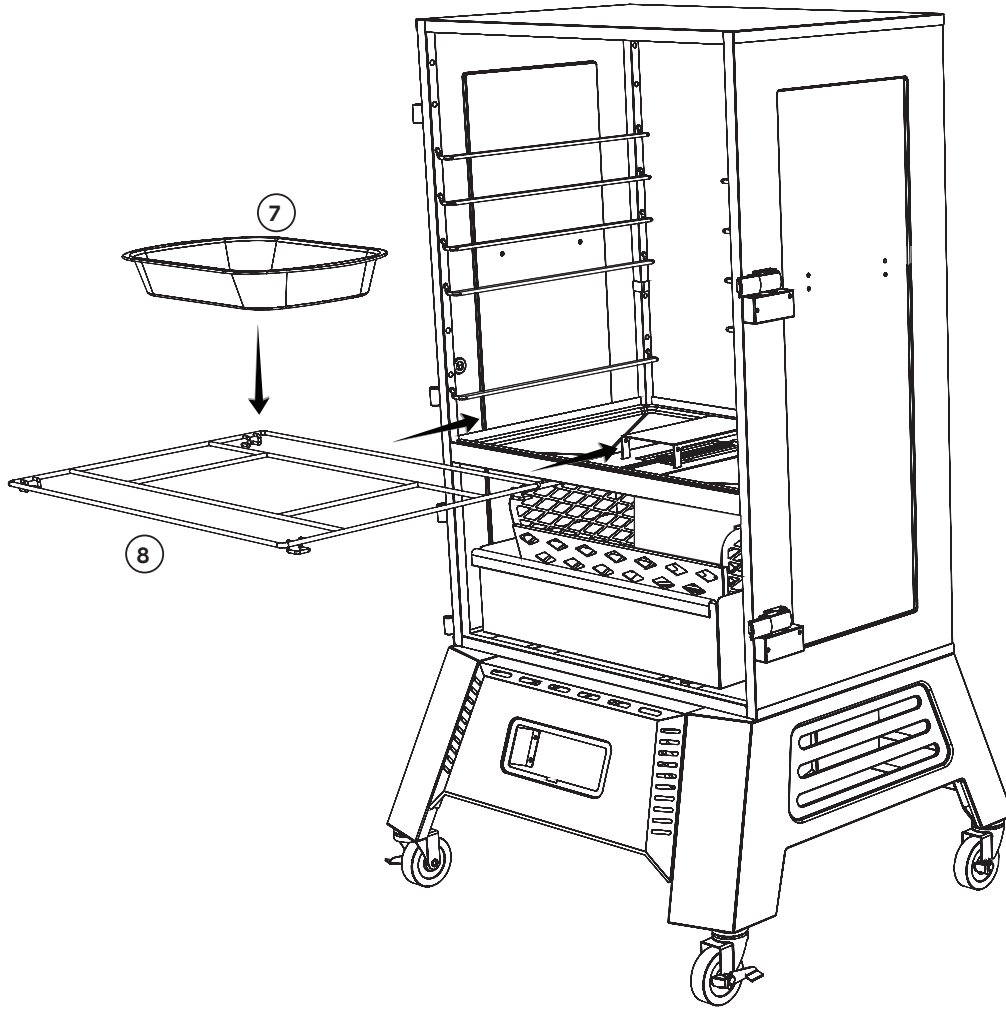
7



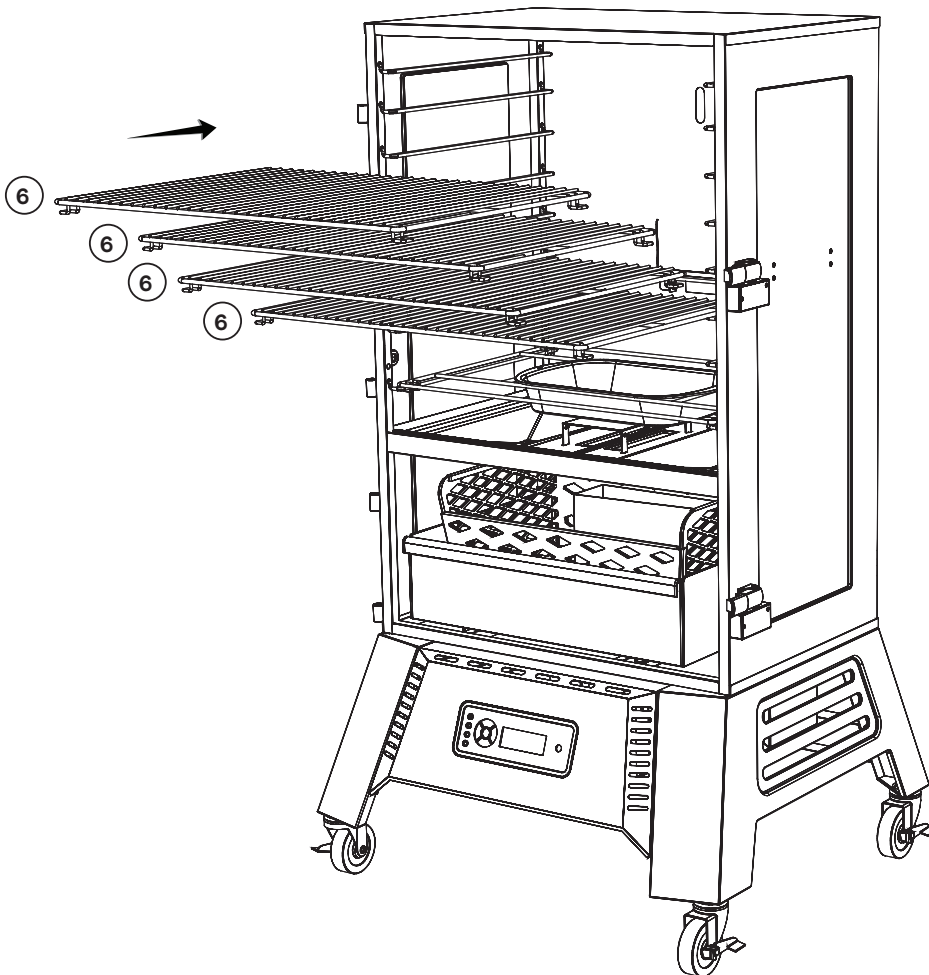
8



9

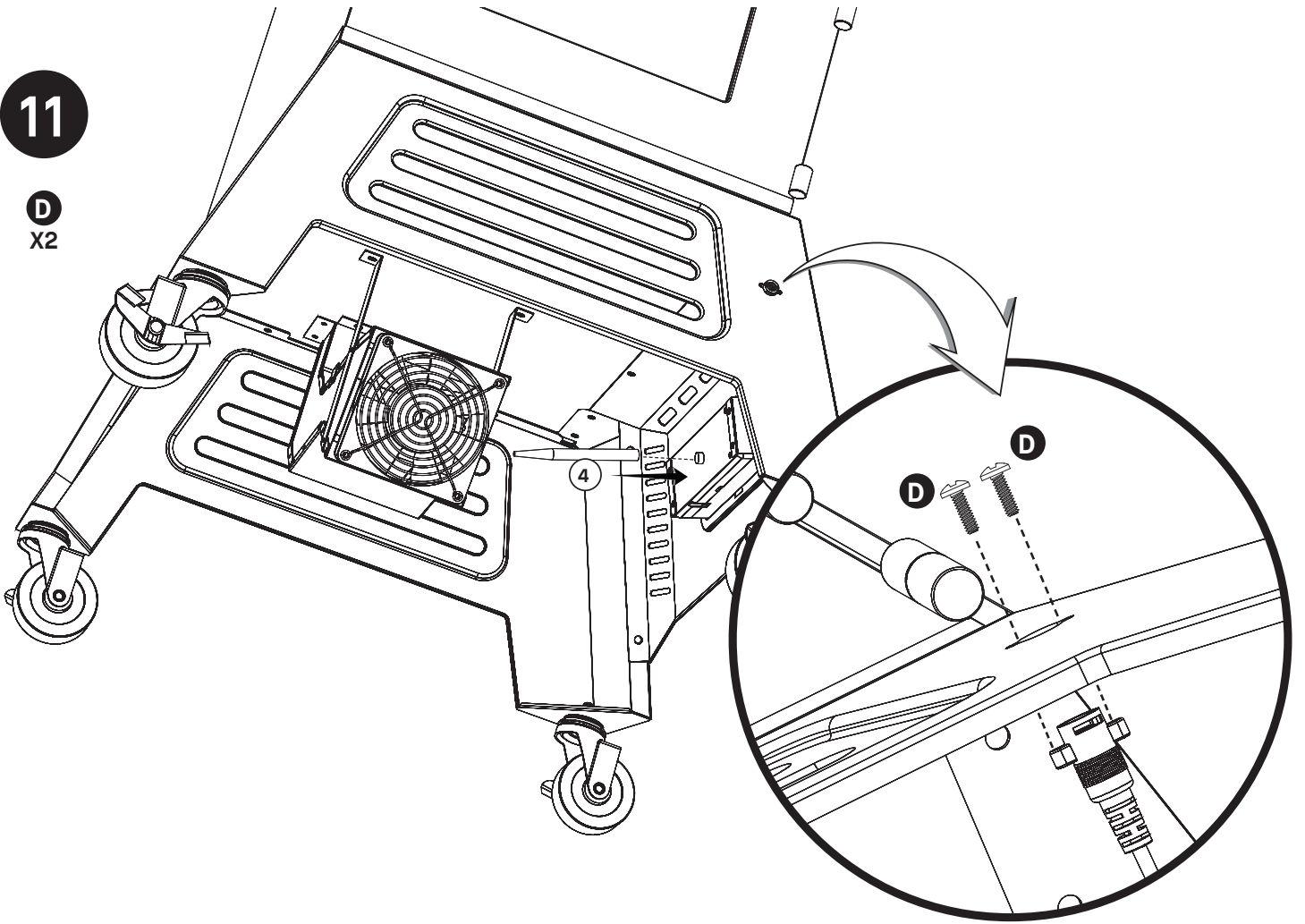


10

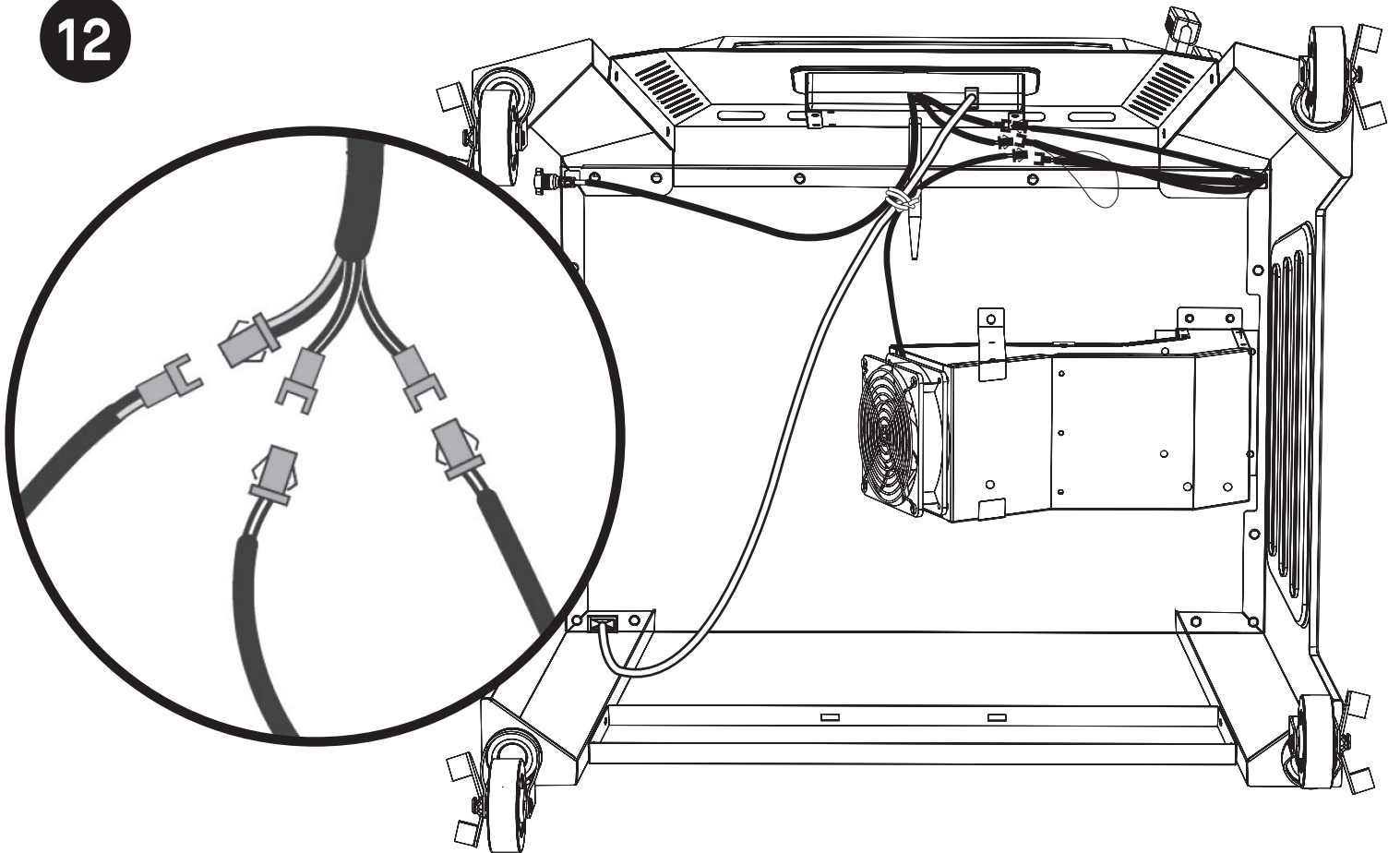


11

D
X2



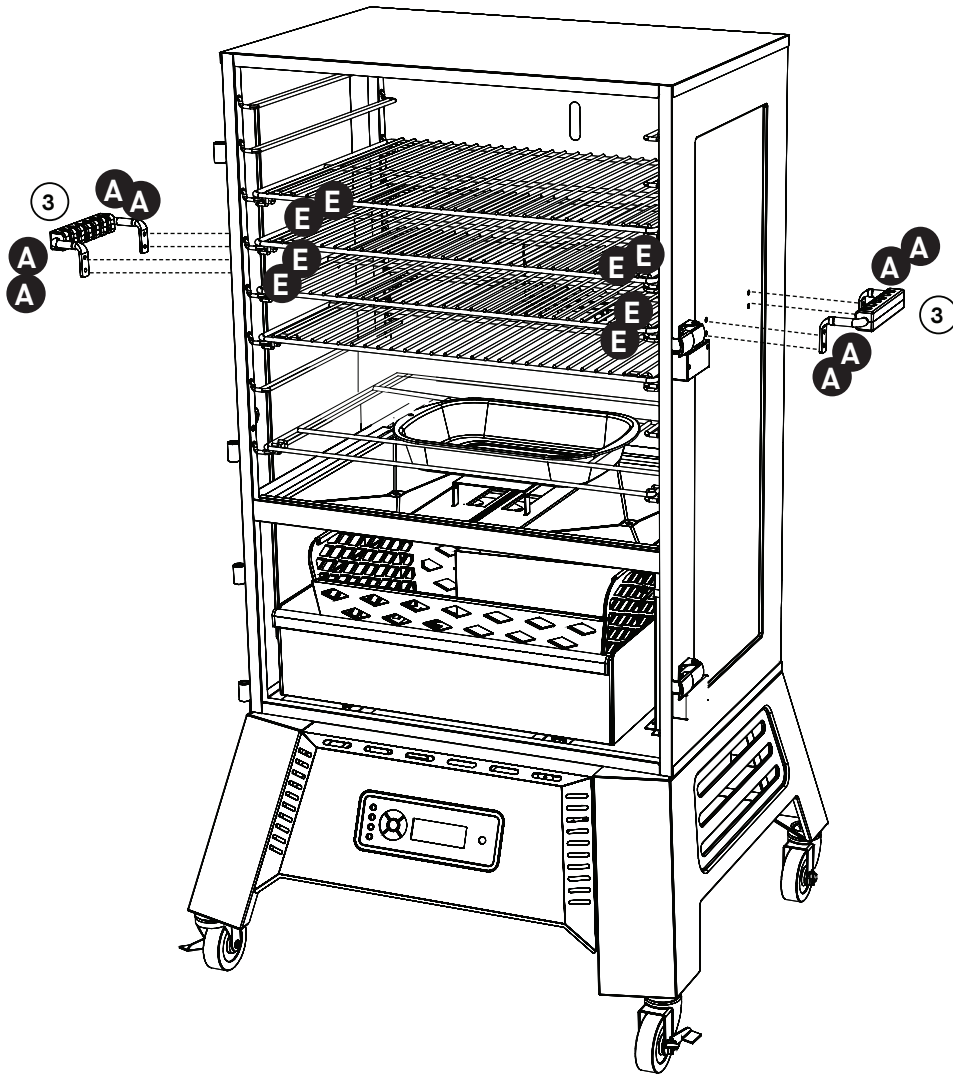
12



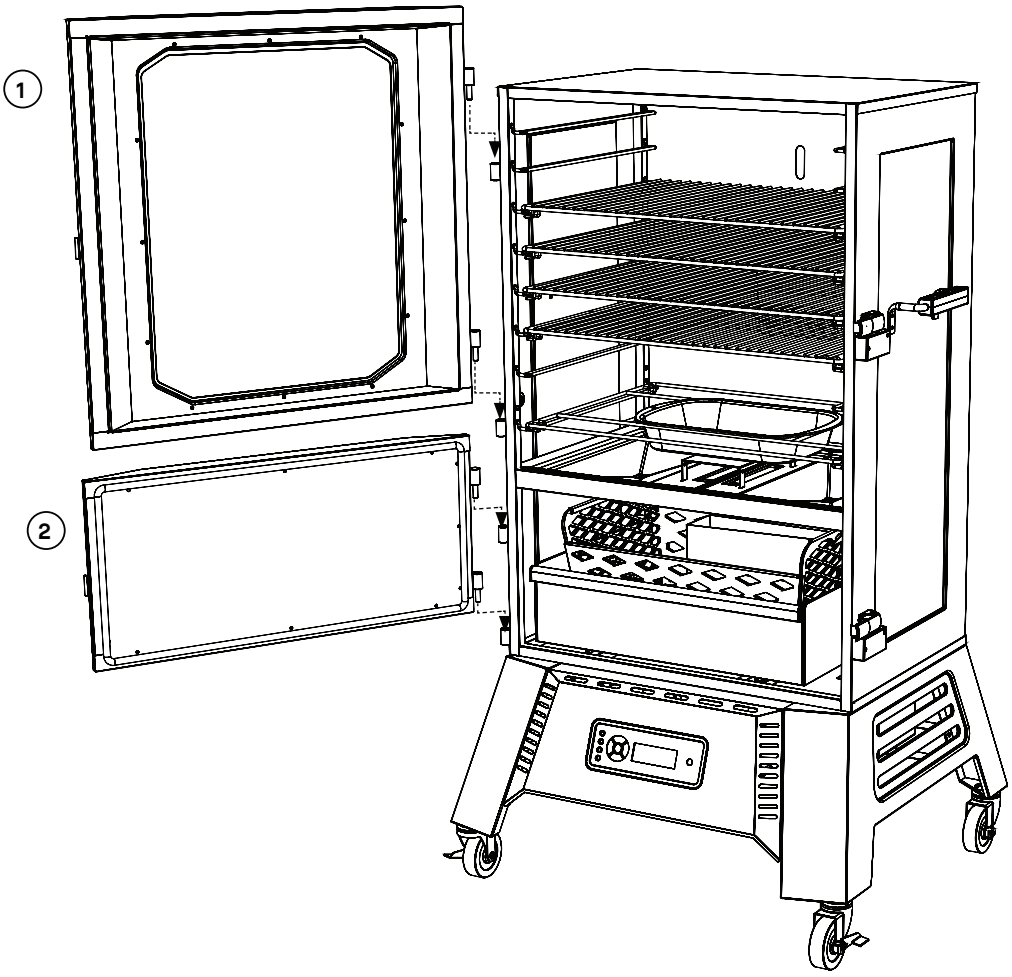
13

A
X8

E
X8

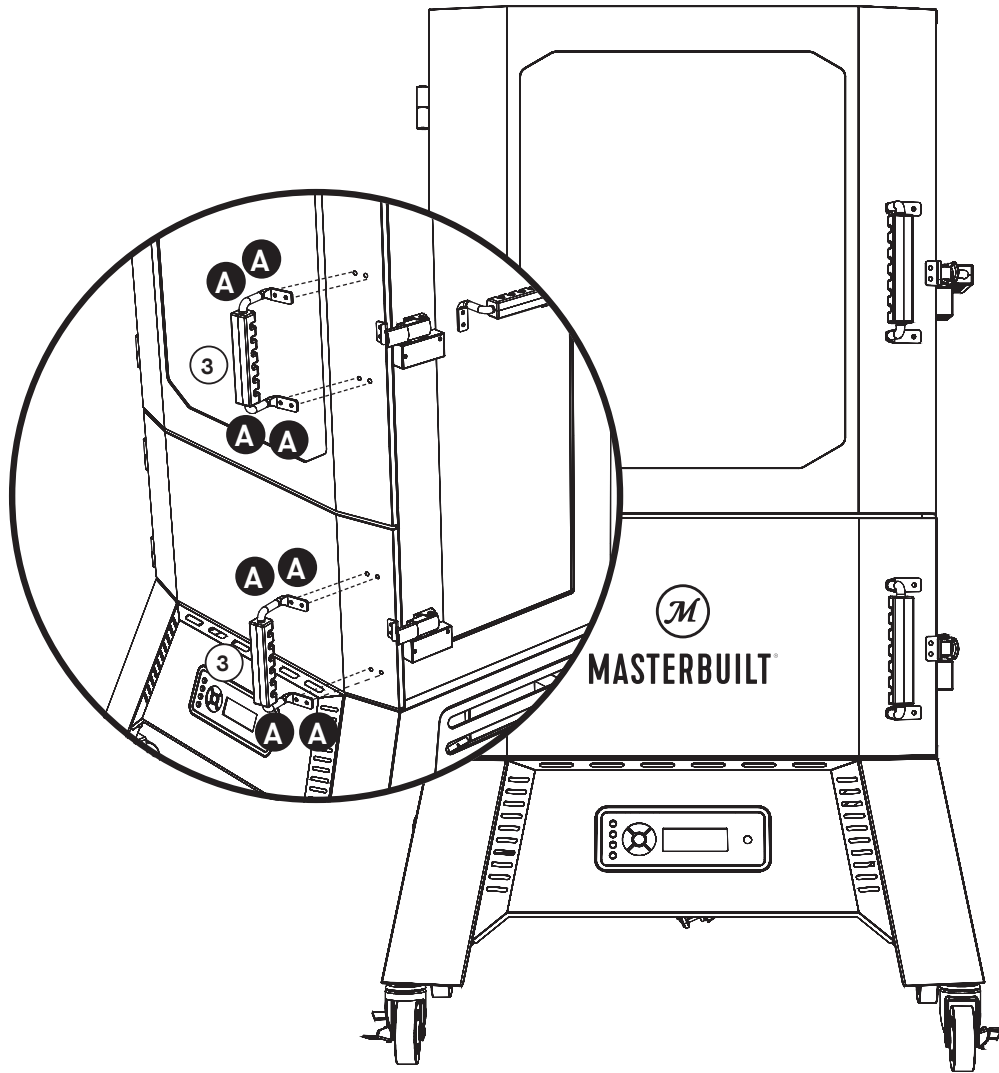


14



15

A
X8



Operating Instructions

ASSEMBLY IS DONE. LET'S HAVE SOME FUN!

PRE-SEASONING

Pre-seasoning will rid your smoker of chemicals and oils left over by the manufacturing process, allowing them to burn off. PRE-SEASON SMOKER PRIOR TO FIRST USE.

1. Insert the charcoal partition into the charcoal basket
2. Fill the charcoal basket $\frac{1}{4}$ - $\frac{1}{2}$ full with charcoal (approximately 4-6 pounds of charcoal).
3. Start the smoker following the START-UP instructions, and set the temperature to 275F for 120 minutes.
4. After 120 minutes, set the temperature to 400F, allow the smoker to burn out the remaining charcoal.
5. Allow the smoker to cool COMPLETELY.
6. Once cool, remove all the ash from the ash tray in the smoker. Wipe down your charcoal partition, charcoal basket, and ash tray with vegetable shortening. This will help keep these components seasoned.
7. Once oiled, repeat steps 1 - 5.

Frequent seasoning prevents rusting. If rusting occurs, clean with a steel brush, apply vegetable shortening and heat as indicated above.

SHUTDOWN

1. Remove food from smoker.
2. Close both smoker doors.
3. Set the unit to 400F.
4. Leave the unit running, and allow the charcoal to burn out completely.
5. Once the charcoal has burned out, allow the unit to cool before cleaning and storing

ADDING SMOKE/FLAVOR

To add wood smoke flavor, mix wood chunks into your charcoal basket with the charcoal before your cook begins. Or if cooking at temperatures with the charcoal partition, load wood chunks into the center of the partition. As the charcoal burns through the basket, your wood chunks will smoke for a great added flavor.

CONTROL PANEL



Power ON/Off Controller:

1. Press button to power controller ON.
2. Press and hold button to power controller OFF.



Set Temperature:

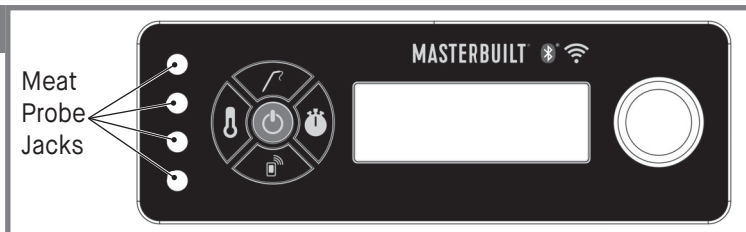
1. Press button.
2. Turn knob to desired temperature.
3. Press button again to set temperature (Temperature will automatically set after 3 seconds.)



Set Time:

• Countdown Timer

1. Press button.
2. Turn knob to desired hours.
3. Press button to set hours.
4. Turn knob to desired minutes.
5. Press button to set minutes. The timer will start.
6. Press button to pause and resume timer.
7. Press and hold button to reset timer.



Set Temperature From F° to C° :

1. With power off, hold set temp button
2. Press power button
3. Unit powers up with "F" or "C" flashing on display
4. Use knob to select temp unit
5. Press set temp to confirm

• Count Up Timer

1. Press and hold button.
2. Timer will begin counting up from 00:00. Timer will count by Minutes:Seconds and then Hours:Minutes.
3. Press button to pause and resume timer.
4. Press and hold button to reset timer.

Set Meat Probe Temperatures:

1. Press button and turn knob to select meat probe (MP1, MP2, MP3, MP4).
2. Press temperature button.
3. Turn knob to desired temperature.
4. Press temperature button again to set the temperature.
(If meat probe reaches 300°F, an alarm will sound and the meat probe must be removed from heat and given time to cool. Meat probe will be damaged if left at this temperature.)
* NOTE: Meat probe icon will flash while in setting mode.
5. Once set temperature is reached, alarm will sound. Press any button to clear.

Viewing Information on Display:

- Turning the knob will advance the display through smoker temperature, timer and meat probes; MP1, MP2, MP3 and MP4.

BLUETOOTH + WiFi

Pairing Smoker with Smart Device(s):

1. Download the Masterbuilt app from the Apple App Store or Google Play Store onto your smart device(s). For more information go to masterbuilt.com/pages/app-device-requirements.
2. Once the download is complete, open the Masterbuilt app and follow the instructions for pairing your Bluetooth + WiFi grill and smart device(s).

BLUETOOTH

Pairing Grill with Smart Device(s):

1. Download the Masterbuilt app from the Apple App Store or Google Play Store onto your smart device(s). For more information go to masterbuilt.com/pages/app-device-requirements.
2. Once the download is complete, open the Masterbuilt app and follow the instruction for pairing your Bluetooth grill and smart device(s).

This device complies with Part 15 of the FCC Rules. Operation is subject to the following two conditions:

1. This device may not cause harmful interference, and
2. This device must accept any interference received, including interference that may cause undesired operation.

FCC Warning

Warning: Changes or modifications to this smoker not expressly approved by the party responsible for compliance could void the user's authority to operate the equipment.

FCC Statement

This equipment has been tested and found to comply with the limits for a Class B digital device, pursuant to Part 15 of the FCC Rules. These limits are designed to provide reasonable protection against harmful interference in a residential installation. This equipment generates, uses and can radiate radio frequency energy and if not installed and used in accordance with the instructions, may cause harmful interference to radio communications.

However, there is no guarantee that interference will not occur in a particular installation. If this equipment does cause harmful interference to radio or television reception, which can be determined by turning the equipment off and on, the user is encouraged to try to correct the interference by one or more of the following measures:

1. Reorient or relocate the receiving antenna.
2. Increase the separation between the equipment and receiver.
3. Connect the equipment into an outlet on a circuit different from that to which the receiver is connected.
4. Consult the dealer or an experienced radio/TV technician for help.

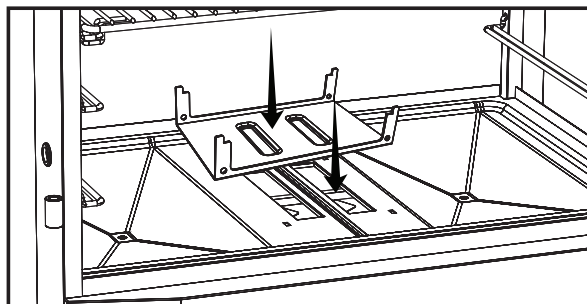
Note: If you lose connection, smoker will continue as programmed. Smoker can be operated from the control panel if pairing or connection fails.

Quick Start Guide

THE GREASE DRIP TRAY AND SMOKER MUST BE CLEANED BEFORE EVERY COOK TO PREVENT GREASE FIRES.

HOW TO LIGHT (225F)

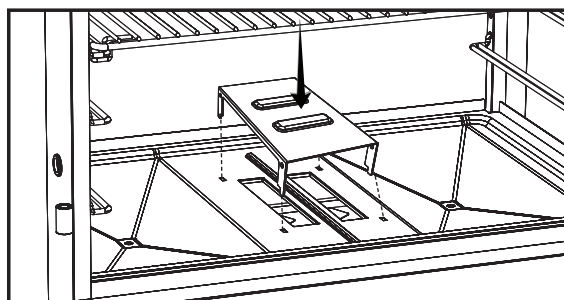
1. If cooking at 225F, insert the charcoal partition into the charcoal basket and place the heat deflector tent as shown.



2. Load wood chunks into the center of the charcoal partition for added smoke flavor
3. Load 12lbs of charcoal into the charcoal basket
4. Load 2 fire starters in the fire starter holder in the front right corner of the charcoal basket
5. Load the ash tray, charcoal basket, and partition into smoker
6. Close the top door of the smoker
7. Light the fire starters and carefully push the ash tray into bottom chamber of the smoker
8. Leave the bottom door open for 3 minutes while the fire starters catch fire
9. After 3 minutes, shut the bottom door
10. Set your temperature to 225F
11. Allow the smoker to preheat to the set temperature

HOW TO LIGHT (230F - 270F)

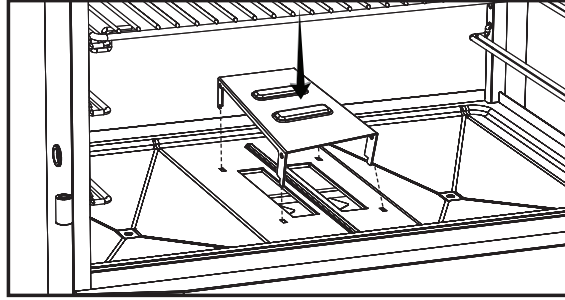
1. If cooking between 230F and 270F, insert the charcoal partition into the charcoal basket and place the heat deflector tent as shown.



2. Load wood chunks into the center of the charcoal partition for added smoke flavor
3. Load 12lbs of charcoal into the charcoal basket
4. Load 2 fire starters in the fire starter holder in the front right corner of the charcoal basket
5. Load the ash tray, charcoal basket, and partition into smoker
6. Close the top door of the smoker
7. Light the fire starters and carefully push the ash tray into bottom chamber of the smoker
8. Leave the bottom door open for 3 minutes while the fire starters catch fire
9. After 3 minutes, shut the bottom door
10. Set your temperature from 230F - 270F

HOW TO LIGHT (275F AND ABOVE)

1. If cooking at 275F and above, do not use the charcoal partition, place the heat deflector tent as shown.



2. Load 16lbs of charcoal into the charcoal basket
3. Load 2 fire starters in the smoker. One in the fire starter holder, one in the back corner of the basket
4. Load the ash tray, and charcoal basket into the smoker
5. Close the top door of the smoker
6. Light the fire starters and carefully push the tray into bottom chamber of the smoker
7. Leave the bottom door open for 3 minutes while the fire starters catch fire
8. After 3 minutes, shut the bottom door
9. Set your temperature to 275F or above
10. Allow the smoker to preheat to the set temp

THINGS TO KNOW:

1. The smoker has a temperature range from 225F to 400F
2. The smoker cannot get cooler during a cook. If you set the temperature to 300F and allow it to preheat, you cannot lower the temperature to 225F during the cook.
3. If you have the charcoal partition inserted into the charcoal basket, the unit will not reach a temperature above 275F.
4. For faster preheat time, allow the unit to preheat without the heat deflector tent installed. Once the smoker reaches the set temperature, insert the heat deflector tent in the proper location.

CLEANING AND STORAGE

ALWAYS MAKE SURE SMOKER IS COOL TO THE TOUCH BEFORE CLEANING AND STORING.

- Once the unit is completely cooled, remove the ash tray from the smoker. Remove all the ash and charcoal from the ash tray
- Wipe out the inside of the smoker
- Vacuum out any ash buildup in the burn chamber
- Wipe down and clean your cooking racks and water bowl (both dishwasher safe)
- Remove your power cord – do not store this in the weather
- Cover your smoker
- Store in cool dry place



MASTERBUILT®

Rest assured, we're here to help.

Customer Service

masterbuilt.com/contact-us

masterbuilt.com/warranty

masterbuilt.com/collections/parts

@masterbuilt



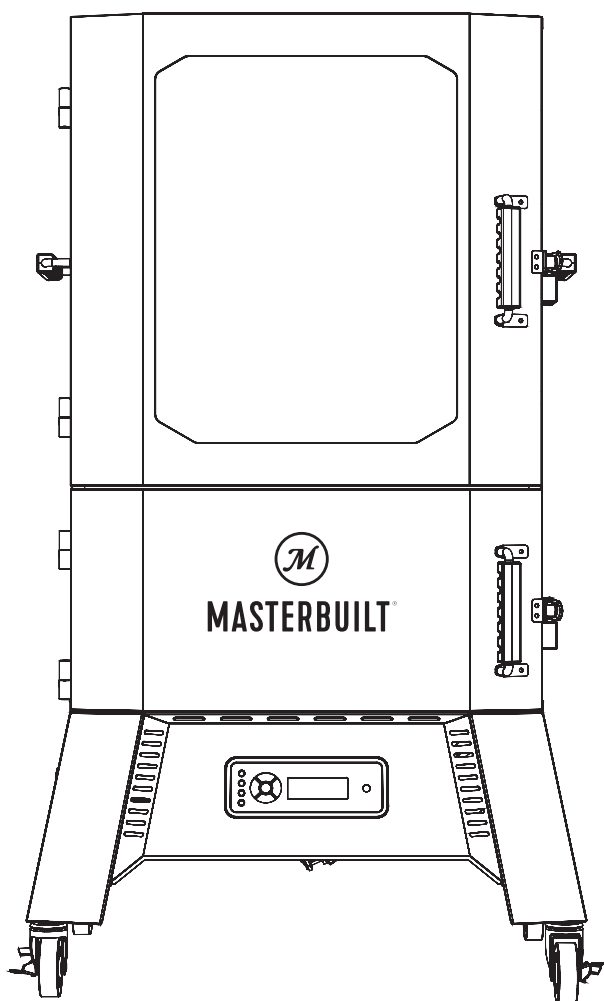
masterbuilt.com



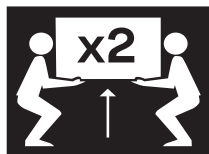


MASTERBUILT®

Bienvenue à la famille. Commençons !




MASTERBUILT®



Deux personnes sont recommandées
pour l'assemblage

CS40G1DW

Fumoir au charbon numérique

Ce manuel s'applique au numéro de modèle suivant

MB20060321

Votre numéro de modèle

Date de fabrication – Numéro de série

Ces numéros se trouvent sur l'étiquette signalétique située sur le fumoir.

IMPORTANT

Veuillez conserver ces informations immédiatement et les garder en lieu sûr pour référence ultérieure.

Code de manuel : 9806200002 200831-GH

Maîtrisez-le. Masterbuilt.



AVERTISSEMENT



- Ce manuel contient des informations qui sont nécessaires pour une utilisation sûre et appropriée de cet appareil.
- Lisez et suivez la totalité des avertissements et des instructions fournis avant d'assembler et d'utiliser l'appareil.
- Conservez ce manuel pour référence ultérieure.



L'omission de vous conformer à ces instructions pourrait entraîner un incendie, une explosion ou un risque de brûlure, qui pourrait causer des dommages matériels, des blessures ou la mort.



RISQUE LIÉ AU MONOXYDE DE CARBONE



- La combustion de copeaux de bois, de morceaux de bois, de granules de bois, de charbon ou de propane dégage du monoxyde de carbone, qui n'a pas d'odeur et peut causer la mort.
- NE PAS brûler de copeaux de bois, de morceaux de bois, de granules de bois, de charbon ou de propane à l'intérieur d'habitations, de véhicules, de tentes, de garages ou d'espaces fermés.
- UTILISEZ UNIQUEMENT À L'EXTÉRIEUR avec de bonnes conditions de ventilation.



AVERTISSEMENTS ET MISES EN GARDE IMPORTANTES



LISEZ TOUTES LES INSTRUCTIONS

- Avant chaque utilisation, retirez et nettoyez le bac à graisse. Retirez le bac à graisse de toute graisse et égouttez avant d'allumer le fumoir.
- Utilisez toujours le fumoir conformément à tous les codes d'incendie locaux, provinciaux et fédéraux applicables.
- Avant toute utilisation, vérifiez la totalité des écrous, des vis et des boulons afin de vous assurer qu'ils sont bien serrés.
- Ne jamais faire fonctionner le fumoir sous une structure combustible surélevée comme une couverture, un abri à voitures, une marquise ou un porte-à-faux.
- Ce fumoir est conçu pour une UTILISATION DOMESTIQUE À L'EXTÉRIEUR SEULEMENT.
- Ne jamais utiliser l'appareil dans un lieu fermé, comme un patio, un garage, un édifice ou une tente.
- Ne jamais utiliser l'appareil à l'intérieur ou dans un véhicule récréatif ou un bateau.
- Gardez une distance minimale de 3 m entre l'appareil et une structure surélevée, un mur, une rampe ou une autre installation quelconque.
- Gardez une distance minimale de 3 m entre l'appareil et tout matériau combustible comme le bois, les plantes sèches, le gazon, la broussaille, le papier ou la toile.
- Utilisez le fumoir uniquement pour la fonction pour laquelle il a été conçu. NE PAS utiliser ce fumoir à des fins commerciales.
- L'utilisation d'accessoires non fournis par Masterbuilt Manufacturing LLC n'est PAS recommandée et peut provoquer des blessures.
- La consommation d'alcool ou de médicaments, sous ordonnance ou en vente libre, peut affecter la capacité de l'utilisateur à assembler correctement le fumoir ou à le faire fonctionner de manière sûre.
- Gardez un extincteur accessible à tout moment pendant le fonctionnement du fumoir.
- Lorsque vous cuisez des aliments avec de l'huile ou de la graisse, ayez un extincteur de type BC ou ABC à portée de main.
- En cas de feu d'huile ou de graisse, ne pas tenter de l'éteindre avec de l'eau. Appelez immédiatement le service d'incendie. Un extincteur de type BC ou ABC peut parfois confiner l'incendie.
- Placez le fumoir sur une surface stable plate et non combustible comme la terre battue, le béton, la brique ou la pierre. Il est possible qu'une surface asphaltée ne convienne pas.
- Le fumoir DOIT être posé sur le sol. Ne pas poser le fumoir sur une table ou un comptoir. NE PAS déplacer le fumoir sur des surfaces inégales.
- Ne pas utiliser le fumoir sur une surface en bois ou inflammable.
- Gardez le fumoir à distance et libre de tout matériau combustible comme l'essence ou tout autre liquide ou gaz inflammable.



AVERTISSEMENTS ET MISES EN GARDE IMPORTANTES



- Ne pas laisser le fumoir sans surveillance.
- Gardez les enfants et les animaux à distance du fumoir en tout temps. Ne PAS laisser les enfants utiliser le fumoir. Une surveillance attentive est nécessaire si des enfants ou des animaux sont présents à proximité du fumoir en cours d'utilisation.
- Ne permettre à PERSONNE de mener des activités autour du fumoir pendant ou après son fonctionnement tant qu'il n'a pas refroidi.
- Ne jamais mettre de verre, de plastique, ni de céramique dans le fumoir. Ne pas mettre d'articles de cuisine vides dans le fumoir pendant son utilisation.
- Ne jamais déplacer le fumoir pendant l'utilisation. Attendez que le fumoir ait refroidi complètement (température inférieure à 45 °C) avant de le déplacer ou de l'entreposer.
- Ne pas ranger le fumoir s'il y a des cendres ou du charbon chauds dans le fumoir ou la trémie. Ne le ranger qu'une fois que le feu est complètement éteint et que toutes les surfaces ont refroidi.
- Ne jamais utiliser le fumoir comme appareil de chauffage (LISEZ LA RUBRIQUE SUR LE RISQUE LIÉ AU MONOXYDE DE CARBONE).
- Le fumoir est CHAUD en cours d'utilisation et restera CHAUD pendant un certain temps ensuite et pendant le refroidissement. Faites ATTENTION. Portez des gants de protection.
- Soyez prudent lorsque vous retirez des aliments du fumoir. Toutes les surfaces sont CHAUDES et peuvent provoquer des brûlures. Utilisez des mitaines/gants de protection ou des ustensiles de cuisine robustes à manche long pour vous protéger des surfaces chaudes ou des éclaboussures provenant des liquides de cuisson.
- NE PAS heurter ou bousculer le fumoir, car cela pourrait causer des blessures, endommager l'appareil ou renverser des liquides de cuisson chauds.
- Ne pas toucher de surfaces CHAUDES.
- Le fumoir est chaud pendant l'utilisation. Pour éviter les brûlures, gardez le visage et le corps loin de la porte et des événements. L'utilisation génère de la vapeur et de l'air chaud.
- Le fumoir génère une flamme nue. Gardez les mains, les cheveux et le visage à distance de la flamme. Ne vous penchez PAS au-dessus du fumoir pendant que vous l'allumez. Les cheveux non attachés ou les vêtements amples peuvent s'enflammer.
- NE PAS obstruer la circulation des gaz de combustion ou les orifices de ventilation.
- Ne pas couvrir les grilles de cuisson avec des feuilles métalliques. Cela emprisonnera la chaleur et pourrait endommager le fumoir.
- Ne jamais laisser des cendres ou du charbon CHAUDS sans surveillance.
- Ne pas enlever la cendre pendant que les cendres et le charbon sont CHAUDS.
- Gardez les mains, les cheveux et le visage éloignés du charbon en combustion. Prenez garde à vos cheveux et vêtements pendant la cuisson, car ils pourraient prendre feu.
- Portez des gants de protection lorsque vous manipulez ce fumoir ou que vous travaillez avec du feu. Utilisez des gants de protection ou des outils pour foyer longs et résistants lors de l'ajout de bois ou de charbon.
- Ne jamais utiliser de liquide d'allumage pour charbon, d'essence, d'alcool ou d'autres fluides extrêmement volatils pour allumer le charbon. Ces liquides peuvent exploser et causer des blessures ou la mort. Suivez toujours les instructions d'allumage propres à ce fumoir.
- Ne jamais trop remplir le panier à charbon. Cela peut causer des blessures graves et endommager le fumoir.
- Mettez au rebut les cendres froides en les enveloppant dans une feuille d'aluminium, puis en trempant le tout dans de l'eau avant de le jeter dans un récipient non combustible.
- Lorsque vous utilisez des appareils électriques, des précautions de sécurité de base doivent toujours être suivies, dont les suivantes : 1) Brancher l'appareil uniquement lorsqu'il est complètement assemblé et prêt à l'emploi. 2) N'utiliser qu'une prise électrique mise à la terre approuvée. 3) Ne pas utiliser l'appareil pendant un orage électrique. 4) Ne jamais exposer l'appareil à la pluie ou à l'eau.
- Pour vous protéger contre les chocs électriques, ne pas immerger le cordon, les fiches ou le panneau de commande dans de l'eau ou d'autres liquides.
- Ne faites jamais fonctionner un appareil dont le cordon ou la fiche sont endommagés, après avoir constaté une défektivité ou si l'appareil a été endommagé de quelque façon. Contactez le service à la clientèle de Masterbuilt pour obtenir de l'aide en composant le 1-800-489-1581.
- Des cordons de rallonge peuvent être utilisés en faisant preuve de prudence. • Si vous utilisez un cordon de rallonge : 1) La capacité nominale de la rallonge doit correspondre au minimum à celle de l'appareil, et 2) Le cordon doit être disposé de telle sorte qu'il ne pende pas du comptoir ou de la table, ce qui permettrait à des enfants de tirer dessus ou de faire basculer l'appareil intentionnellement.
- La rallonge doit consister en un cordon à 3 fils avec mise à la terre.
- Les rallonges extérieures doivent être utilisées avec des appareils destinés à une utilisation en extérieur et doivent être marquées d'un « W » accompagné de la mention « Suitable for Use with Outdoor Appliances » (Approuvée pour usage extérieur).
- ATTENTION – Pour réduire le risque de décharge électrique, maintenez la rallonge sèche et au-dessus du sol.
- Ne pas laisser le cordon pendre sur des surfaces chaudes ou les toucher.
- Ne pas mettre le cordon sur ou à proximité d'une plaque à gaz ou électrique, ou bien dans un four chaud.
- Pour procéder au débranchement, tournez le contrôleur sur « OFF », puis retirez la fiche de la prise.
- Débranchez l'appareil lorsqu'il ne sert pas et avant le nettoyage. Laissez l'appareil refroidir



AVERTISSEMENTS ET MISES EN GARDE IMPORTANTES



complètement avant d'ajouter ou d'enlever des composants internes.

- Ne pas nettoyer ce produit avec un système de pulvérisation d'eau ou similaire.
- Il ne faut faire rouler le fumoir que sur une surface plate.
- Il ne faut jamais faire rouler le fumoir dans des escaliers ou sur des surfaces inégales.
- Tout manquement à respecter les avertissements pourrait causer des dommages au fumoir ou des blessures à l'utilisateur.
- Ne jamais ouvrir la trémie pendant l'utilisation. S'il est nécessaire de rajouter du charbon pendant l'utilisation, suivez les instructions de rechargement propres à ce fumoir et portez toujours des gants de protection.
- Ne jamais faire fonctionner ce fumoir si la sonde de température n'est pas présente. Cela pourrait faire surchauffer le fumoir et causer des blessures graves ou des dommages importants au fumoir.
- Ne pas cuisiner avant que le combustible ne soit couvert d'une couche de cendres.
- Ne pas utiliser ce fumoir à l'intérieur.
- **AVERTISSEMENT!** Ne pas utiliser d'essence minérale ou de pétrole pour allumer ou rallumer le fumoir! N'utilisez que des allumoirs qui respectent la norme EN 1860-3!
- **AVERTISSEMENT!** Ce fumoir deviendra très chaud, ne pas le déplacer pendant le fonctionnement.
- **AVERTISSEMENT!** Eloignez les enfants et les animaux de compagnie.
- Ne pas utiliser le fumoir dans un espace clos ou habitable, par exemple une maison, une tente, une roulotte, une maison mobile ou un bateau. Danger de décès causé par l'empoisonnement au monoxyde de carbone.
- **AVERTISSEMENT!** Ne pas utiliser d'essence minérale ou de pétrole pour allumer ou rallumer l'appareil! N'utiliser que des allumoirs qui respectent la norme EN 1860-3!

Cet appareil est conforme aux normes CNR pour matériel exempté de licence d'Industrie Canada. Le fonctionnement est soumis aux deux conditions suivantes :

- (1) cet appareil ne doit pas causer d'interférences, et
- (2) cet appareil doit accepter n'importe quelle interférence, y compris des interférences qui peuvent provoquer un fonctionnement non désiré de l'appareil.

Cet équipement est conforme aux limites d'exposition aux rayonnements d'IC fixées pour un environnement non contrôlé. Cet équipement doit être installé et utilisé à une distance minimale de 20 cm entre le radiateur et votre corps.

LE CHARBON OU LES COPEAUX DE BOIS NE SONT PAS FOURNIS AVEC LE FUMOIR.

Proximité avec les structures et recommandations de sécurité lors de l'utilisation

RAPPEL : Gardez une distance minimale de 3 m entre l'arrière et les côtés et un mur, une rampe ou une autre structure combustible. Ce dégagement fournit un espace suffisant pour assurer une combustion, une circulation de l'air et une ventilation appropriées. Ne doit pas être utilisé sur des matières combustibles comme les terrasses et d'autres matières combustibles.

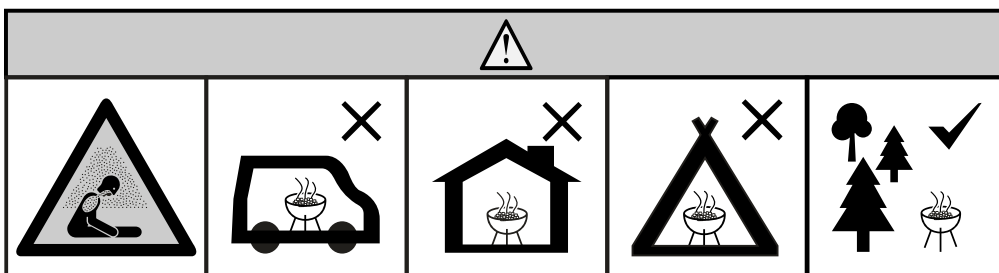
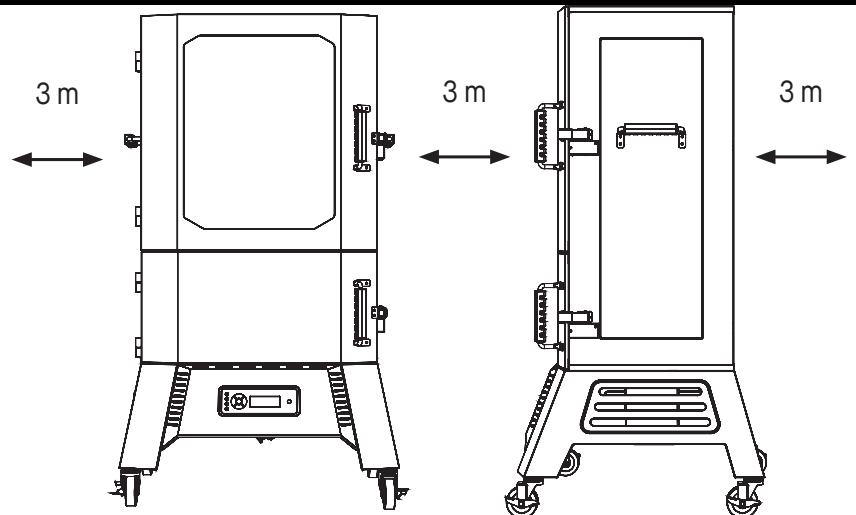
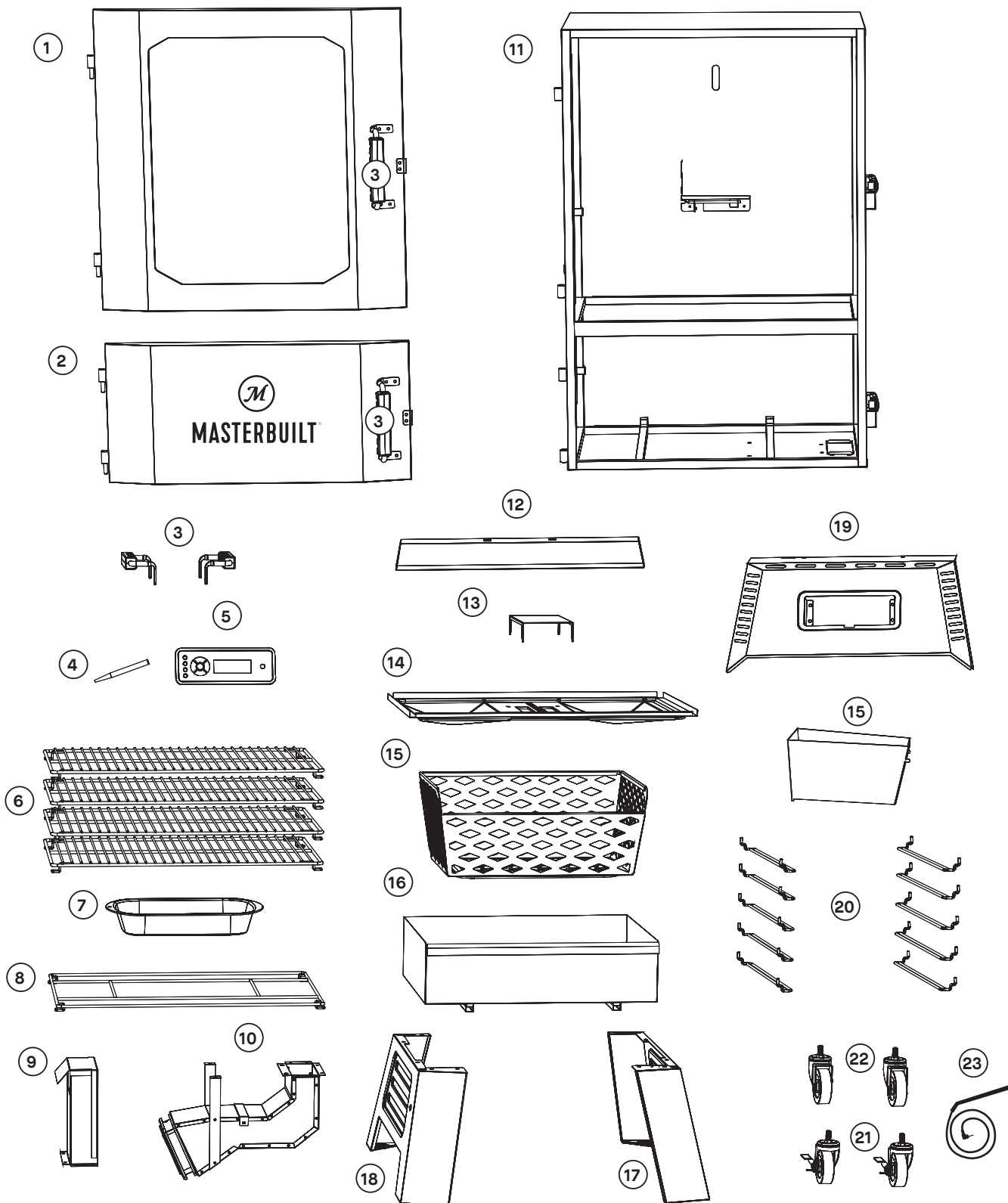


Schéma des pièces



Liste des pièces

N°	QTÉ	DESCRIPTION	N°	QTÉ	DESCRIPTION
1	1	Porte supérieure	13	1	Tente du déflecteur de chaleur
2	1	Porte inférieure	14	1	Bac à graisse
3	4	Poignée	15	1	Panier de charbon et cloison
4	1	Antenne	16	1	Bac à cendres
5	1	Contrôleur	17	1	Pieds de droite
6	4	Grille	18	1	Pieds de gauche
7	1	Cuvette d'eau	19	1	Support du pied avant
8	1	Étagère pour cuvette d'eau	20	10	Support de la grille
9	1	Tube du ventilateur	21	2	Roulettes bloquantes
10	1	Assemblage inférieur du tube du ventilateur	22	2	Roulettes non bloquantes
11	1	Bâti	23	1	Thermomètre à viande
12	1	Support arrière du pied		1	Cordon d'alimentation (non illustré)

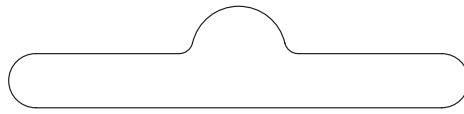
• AVANT L'ASSEMBLAGE, LIRE ATTENTIVEMENT TOUTES LES INSTRUCTIONS

- Assembler l'appareil sur une surface plane et propre.
- Il est recommandé d'effectuer l'assemblage sur du carton afin d'éviter de laisser des résidus d'huile sur les planchers ou de causer des égratignures.
- Le port de gants est recommandé pour l'assemblage.
- Outils nécessaires : tournevis cruciforme, clé ajustable, clé à douille de 19 mm.
- Temps nécessaire pour l'assemblage : environ 45 minutes.
- Il est recommandé que l'assemblage soit effectué par deux personnes pour faciliter l'assemblage et réduire le temps requis.
- Le produit réel peut différer de l'illustration.
- Il est possible que certaines étapes d'assemblage aient été effectuées en usine.
- **Enlevez toutes les étiquettes imprimées du fumoir avant l'utilisation.**

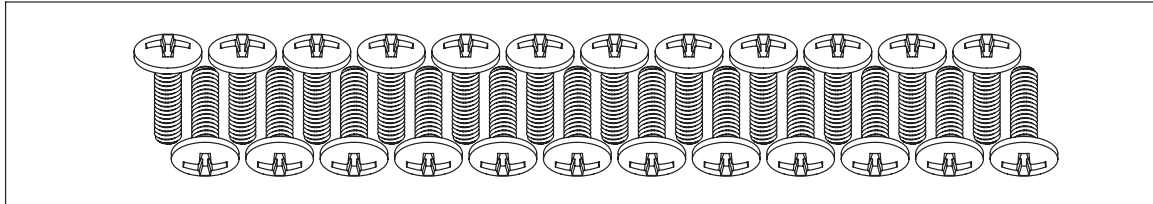


NE PAS RENVOYER AU DÉTAILLANT pour obtenir de l'aide pour l'assemblage ou des pièces manquantes ou endommagées. Contactez le service à la clientèle de MASTERBUILT au 1 800 489-1581 ou à www.masterbuilt.com/pages/support. Veuillez avoir le numéro de modèle et le numéro de série à portée de main. Ces numéros se trouvent sur l'étiquette argentée située sur le fumoir.

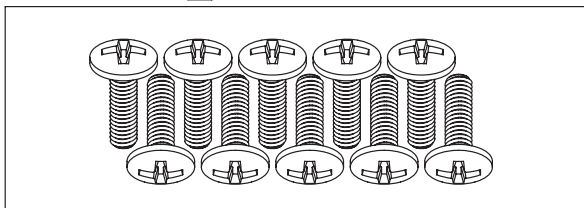
Quincaillerie



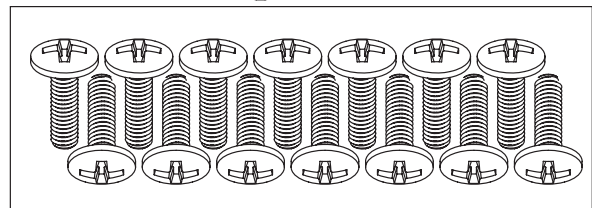
A M4*14



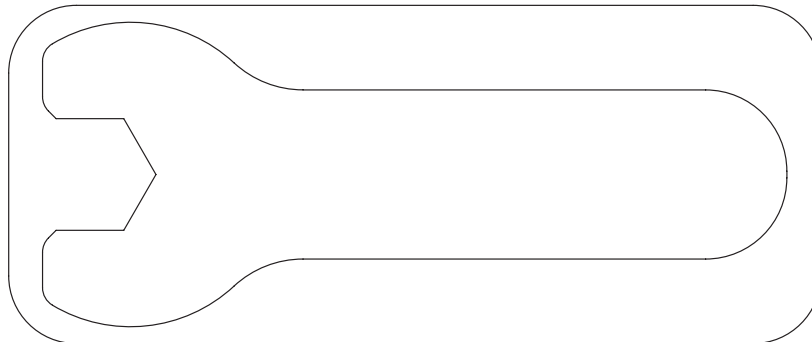
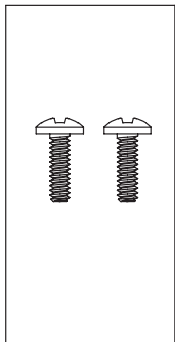
B M5*14



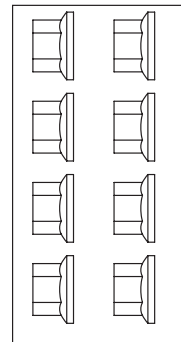
C M6*14



D ST3*12



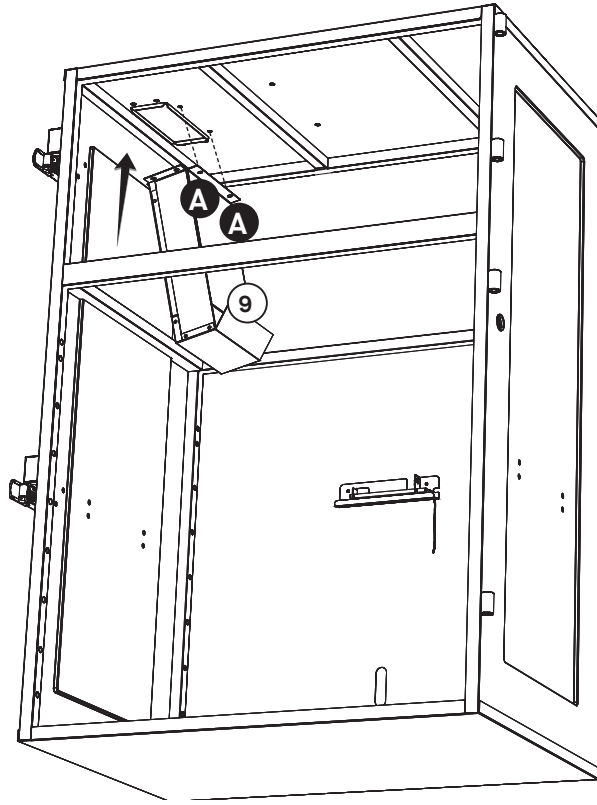
E M4



CLÉ	QTÉ	DESCRIPTION
A	24	M4x14
B	10	M5x14
C	14	M6x14
D	2	ST3x12
E	8	ÉCROU M4

1

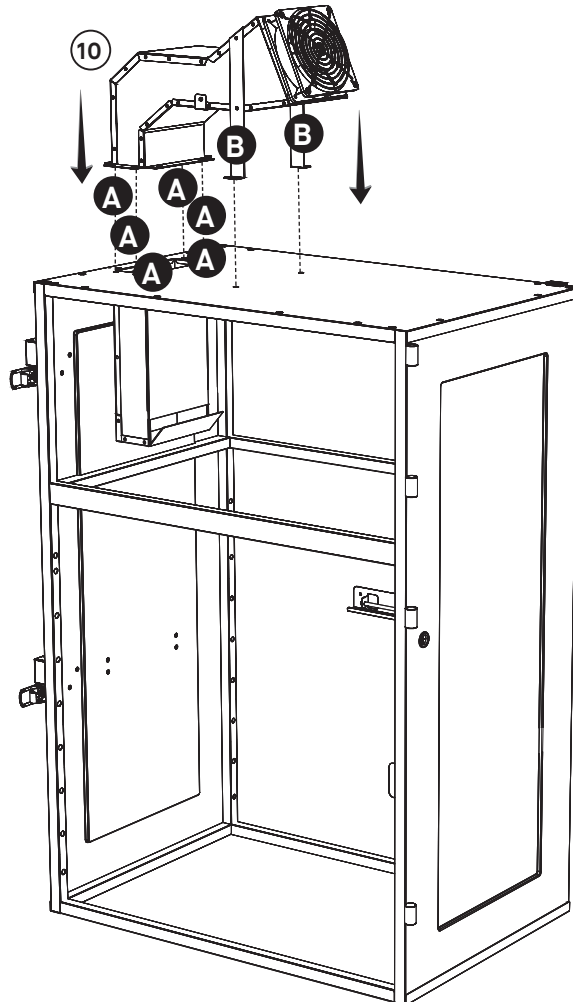
A
X2



2

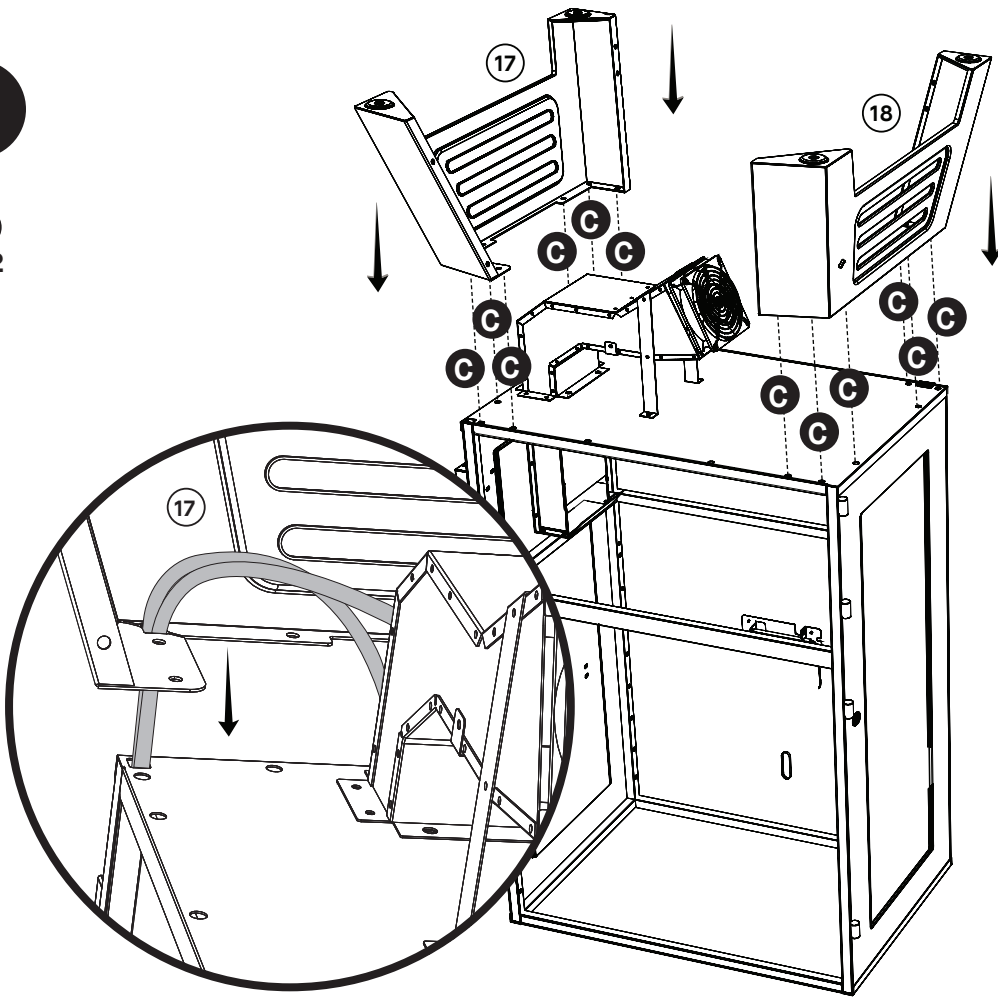
A
X6

B
X2



3

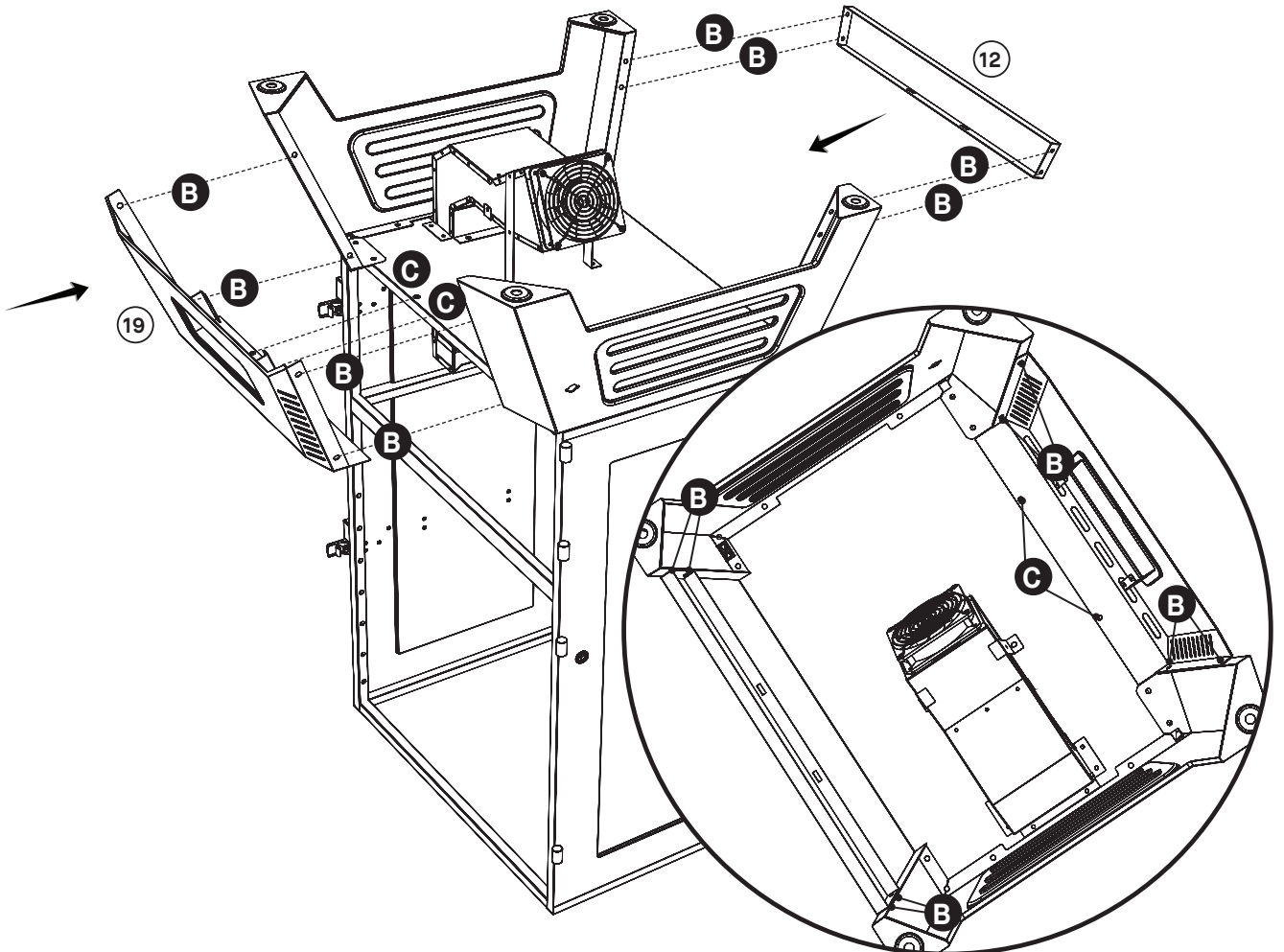
C
X12



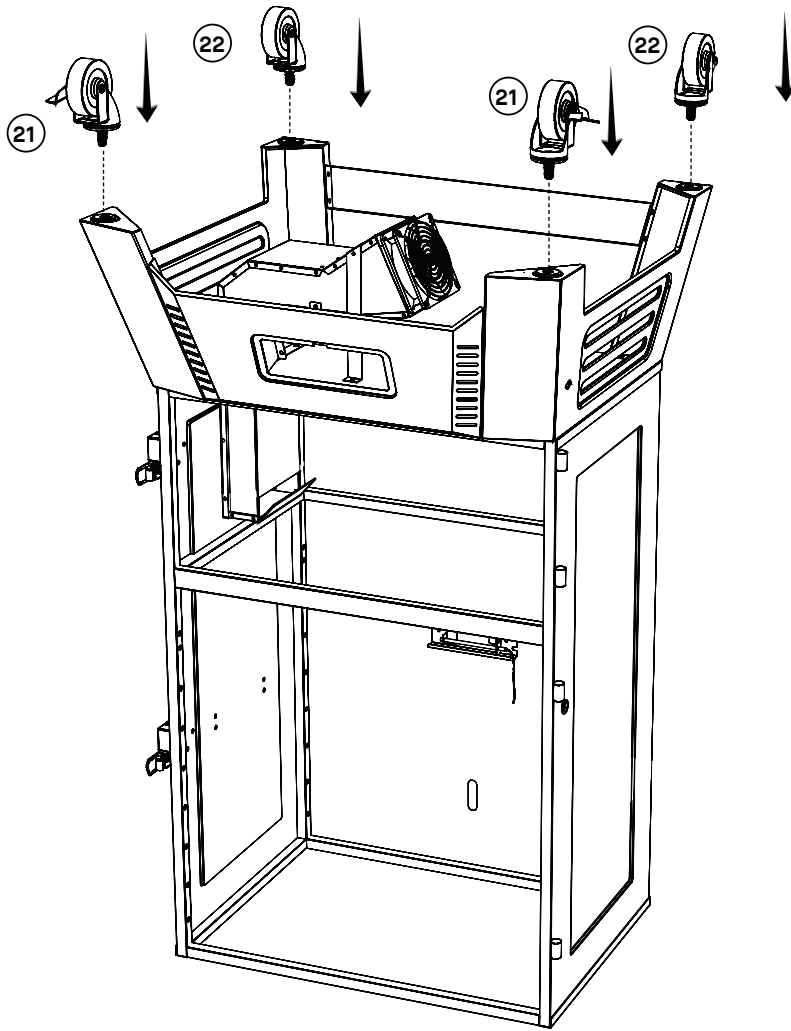
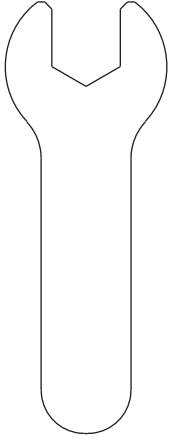
4

C
X2

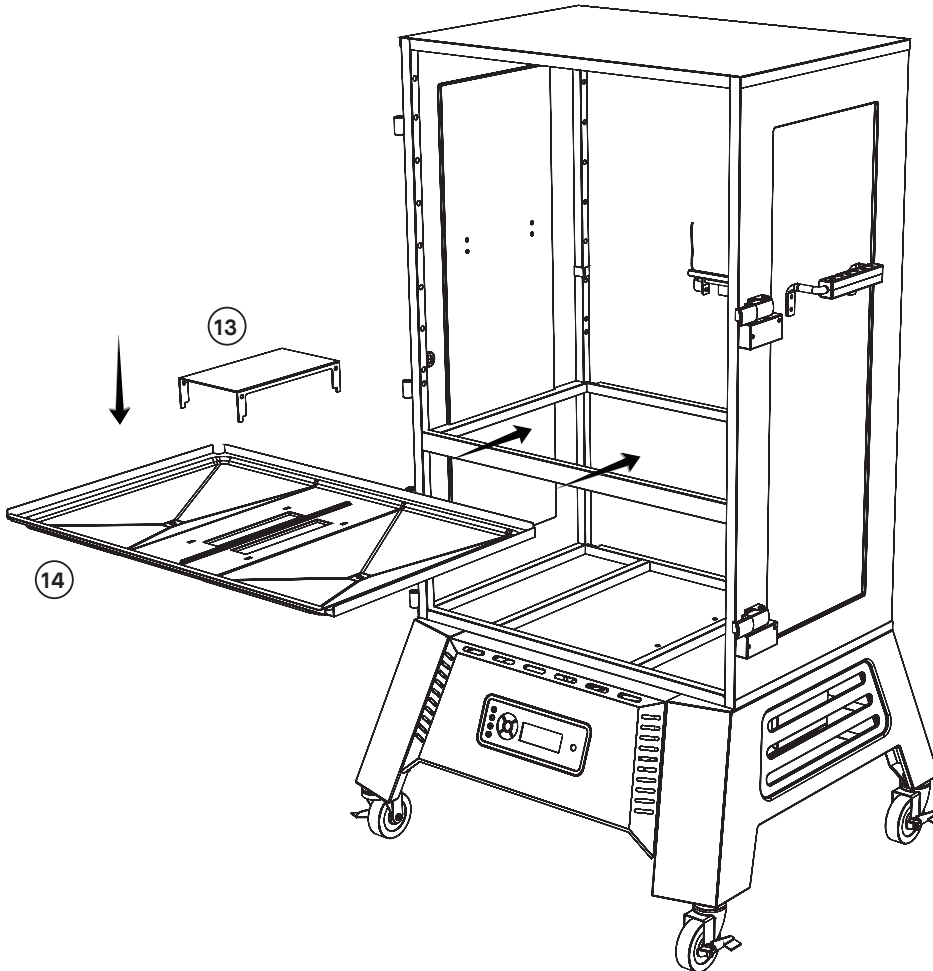
B
X8



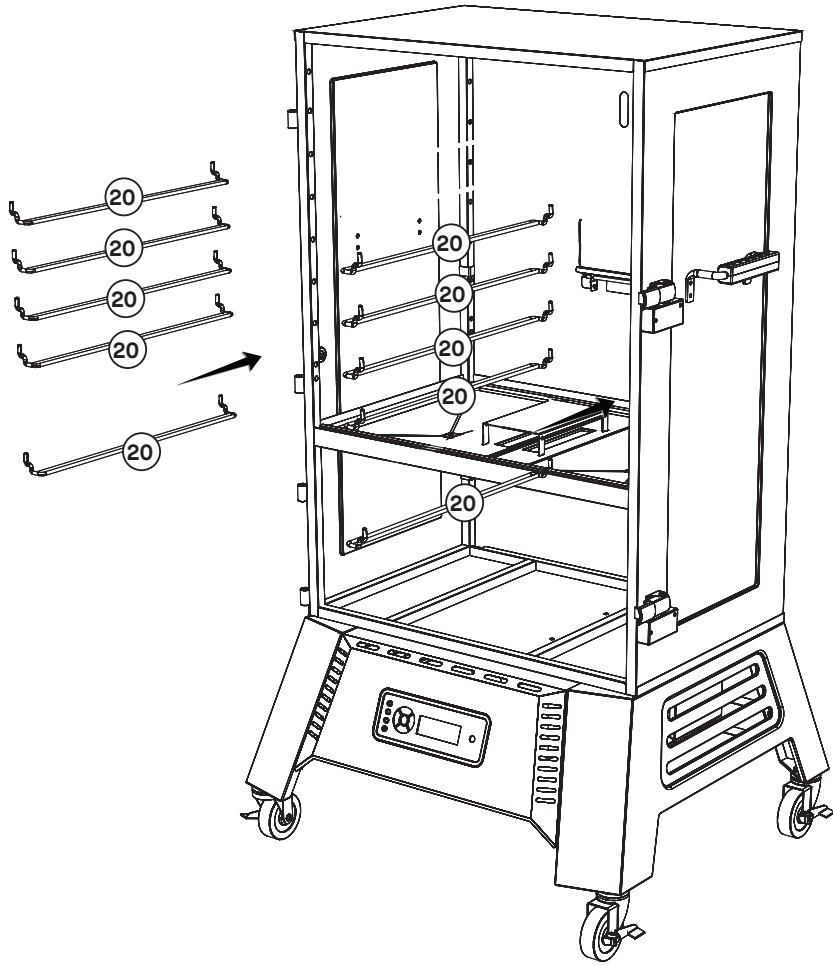
5



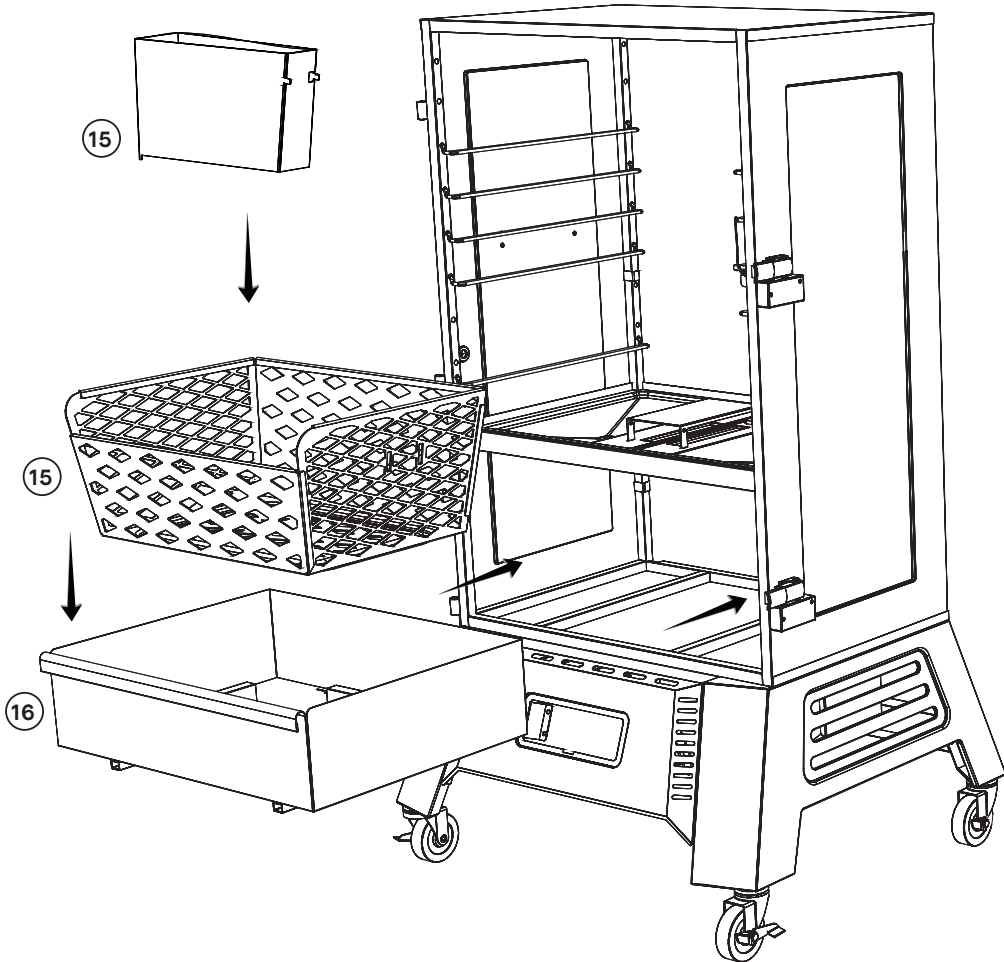
6



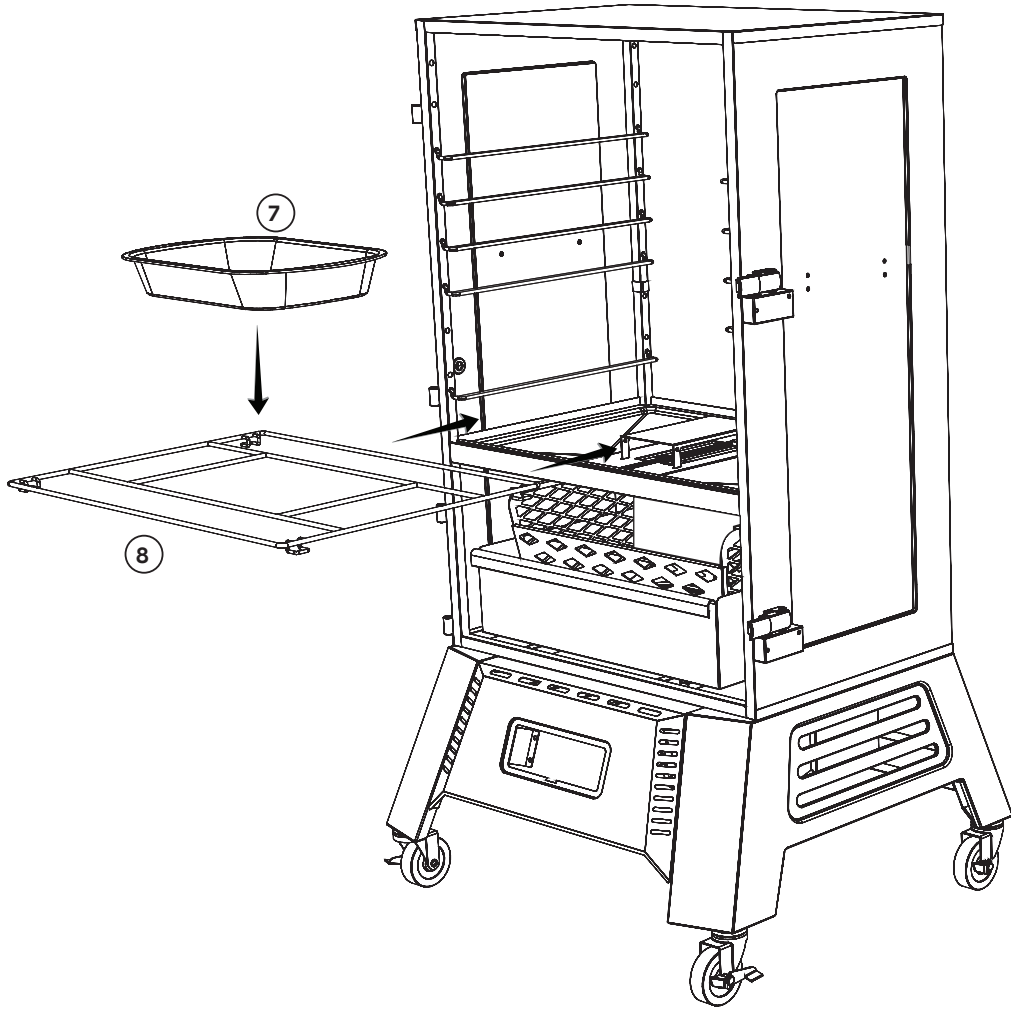
7



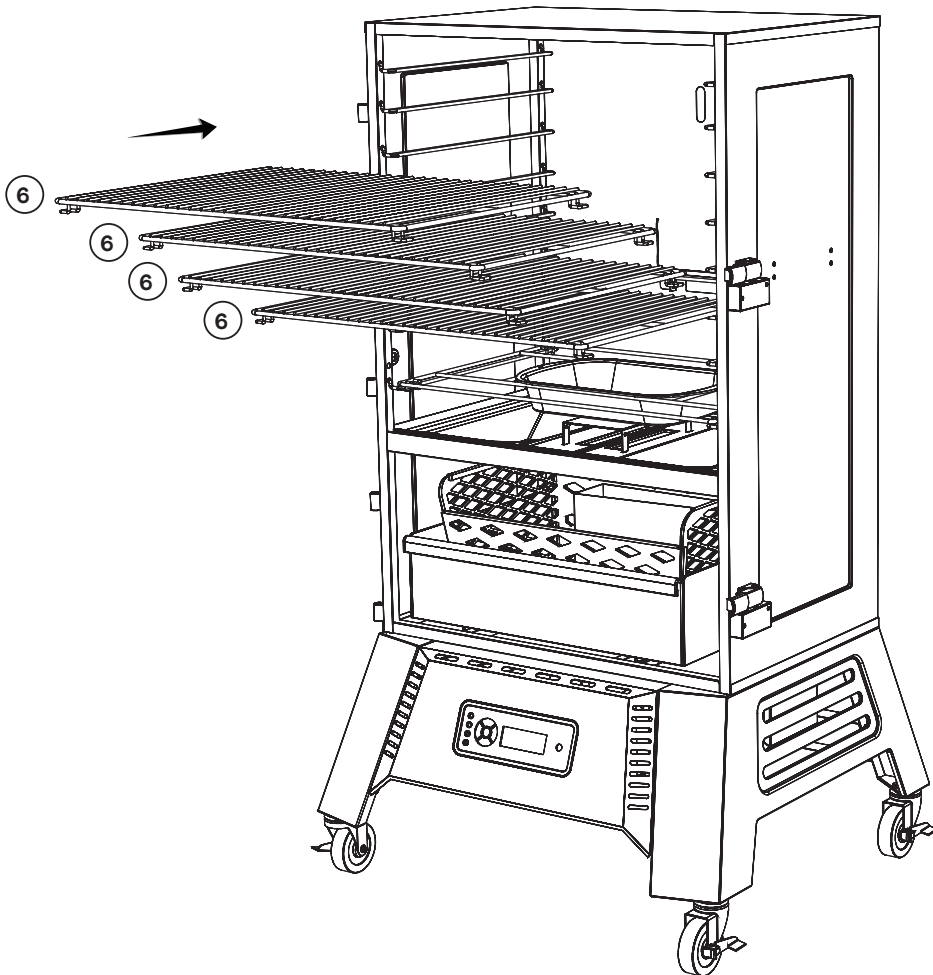
8



9

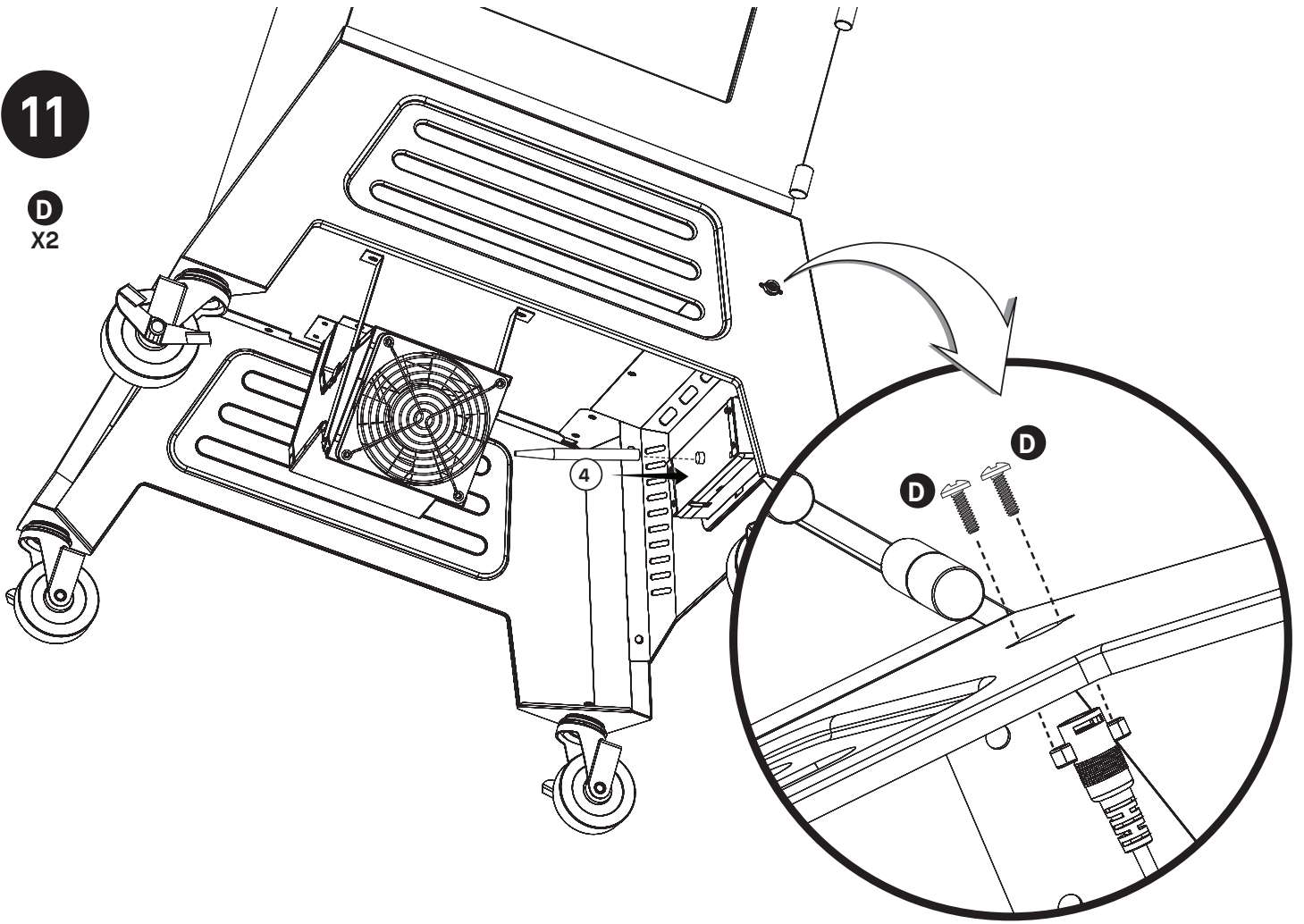


10

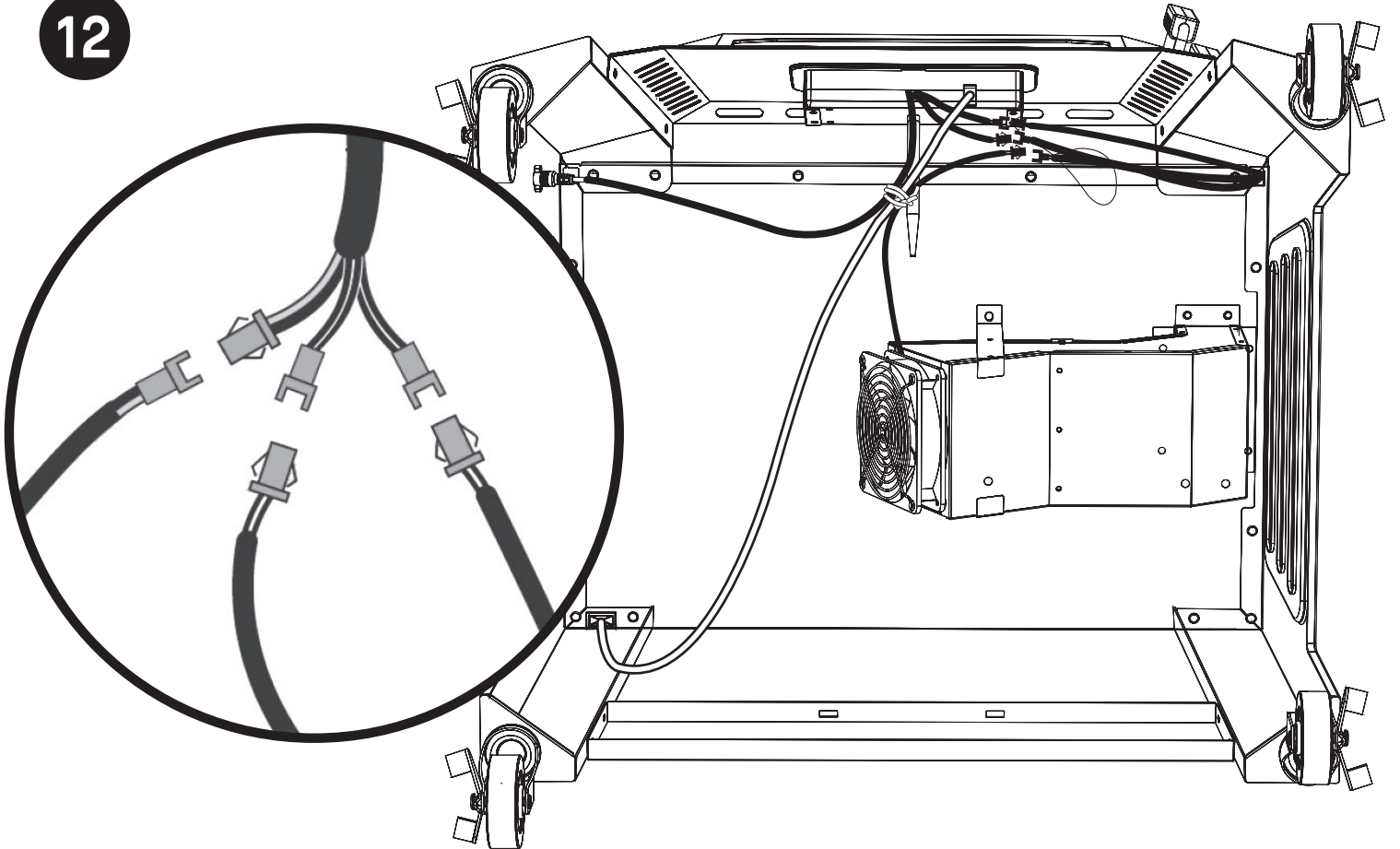


11

D
X2



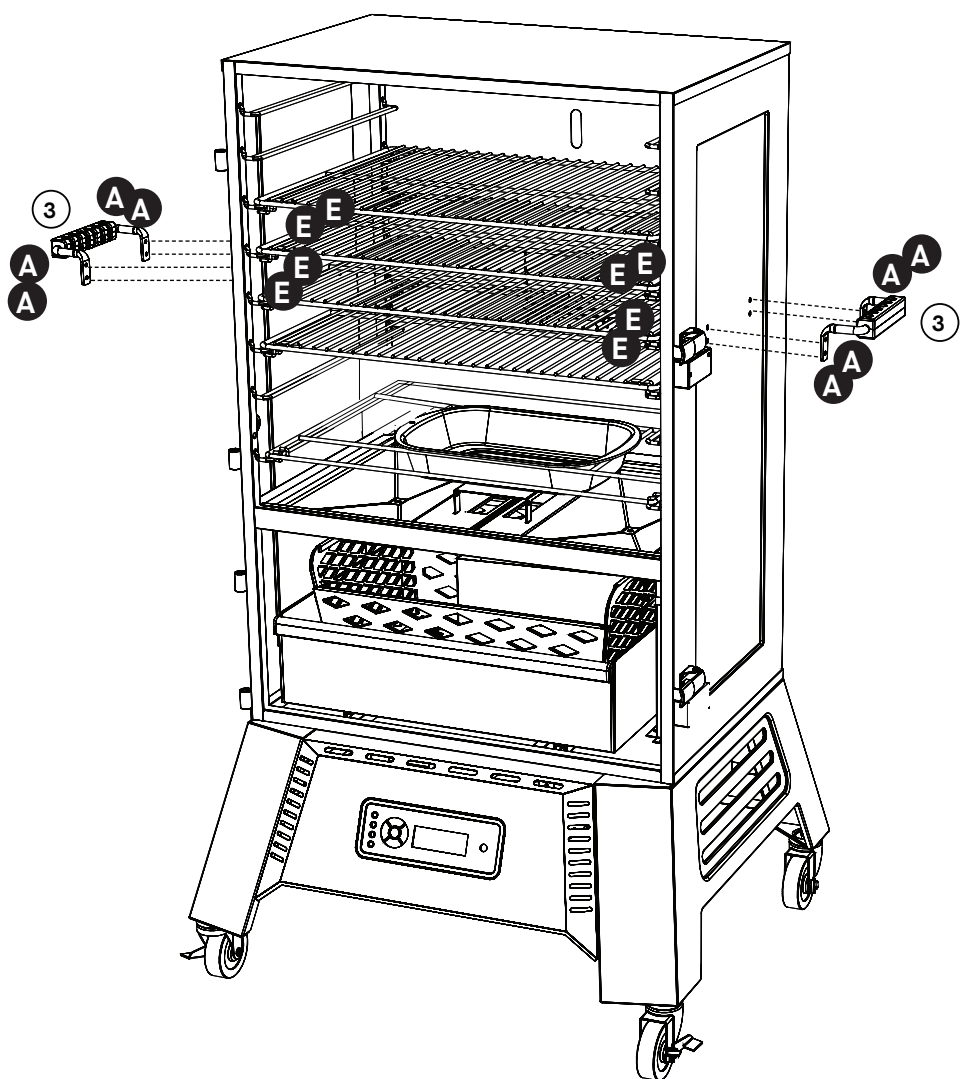
12



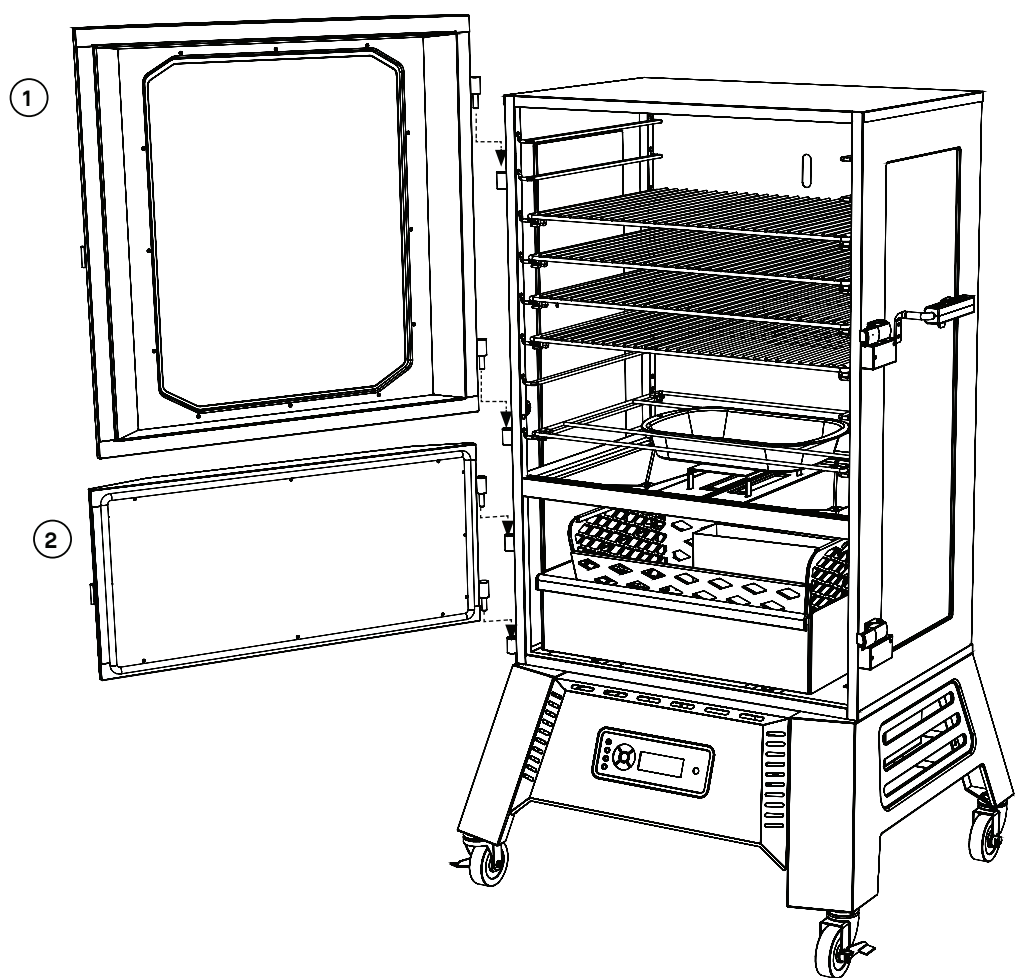
13

A
X8

E
X8

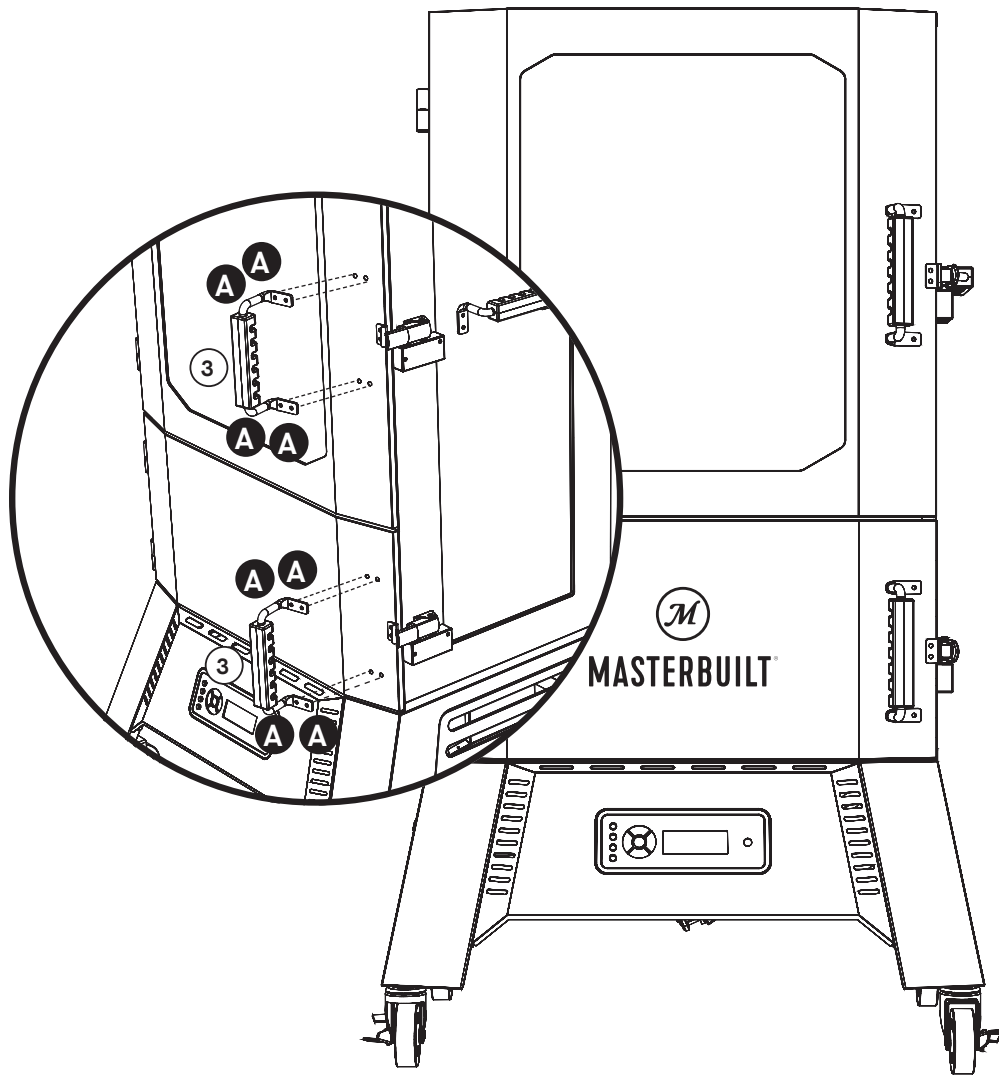


14



15

A
X8



Mode d'emploi

L'ASSEMBLAGE EST TERMINÉ. AMUSONS-NOUS!

APPRÊTAGE

L'apprêtage de votre fumoir permettra d'éliminer les produits chimiques et les huiles laissés par le processus de fabrication en les laissant brûler. APPRÊTEZ LE FUMOIR AVANT LA PREMIÈRE UTILISATION.

1. Insérez la cloison à charbon dans le panier à charbon.
2. Mettez du charbon dans le panier à charbon jusqu'à ce qu'il soit au quart ou à moitié plein (environ 2 à 2,5 kg de charbon).
3. Mettez le fumoir en marche en suivant les instructions de mise en marche, et réglez la température à 135 °C pendant 120 minutes.
4. Au bout de 120 minutes, réglez la température à 205 °C et laissez le fumoir brûler le reste du charbon.
5. Laissez le fumoir refroidir **COMPLÈTEMENT**.
6. Lorsque le fumoir a refroidi, enlevez toute la cendre du bac à cendres du fumoir. Essuyez la cloison à charbon, le panier à charbon et le bac à cendres avec du shortening végétal. Cela contribuera à garder ces composants apprêtés.
7. Une fois le huilage effectué, recommencez les étapes 1 à 5.

Un apprêt fréquent empêche la formation de rouille. Si de la rouille apparaît, nettoyez-la au moyen d'une brosse à soies d'acier, réappliquez du shortening végétal et faites chauffer de la façon indiquée ci-dessus.

PROCESSUS D'ARRÊT

1. Retirez tous vos aliments du fumoir
2. Fermez les deux portes
3. Réglez l'appareil à 205 °C
4. Laissez l'appareil fonctionner jusqu'à ce que le charbon soit complètement brûlé
5. Une fois que le charbon a brûlé, laissez refroidir l'appareil avant de le nettoyer et de le remiser.

AJOUT DE FUMÉE ET DE SAVEUR

Pour ajouter une saveur de fumée de bois, mélangez des morceaux de bois avec le charbon dans votre panier à charbon avant de commencer la cuisson. Ou si vous cuisinez à des températures qui nécessitent l'utilisation de la cloison à charbon, mettez les morceaux de bois au centre de la cloison. Lorsque le charbon brûle dans le panier, vos morceaux de bois fumeront, ce qui ajoutera une saveur fantastique.

PANNEAU DE COMMANDE



Mise en marche/Arrêt du contrôleur :

1. Appuyez sur le bouton pour mettre le contrôleur en marche.
2. Appuyez sur le bouton et tenez-le enfoncé pour éteindre le contrôleur.



Réglage de la température :

1. Appuyez sur le bouton.
2. Tournez le bouton sur la température voulue.
3. Appuyez de nouveau sur le bouton pour régler la température.
(La température se règle automatiquement au bout de 3 secondes.)

Prises pour sonde de température



Réglage de la température de °F à °C :

1. Avec l'appareil éteint, appuyez sur le bouton de réglage de la température
2. Appuyez sur le bouton marche/arrêt
3. L'appareil s'allume et « F » ou « C » clignote sur l'afficheur
4. Utilisez le bouton pour sélectionner l'échelle de température
5. Appuyez sur le bouton de réglage de la température pour confirmer



Réglage de la durée :

• Minuterie de compte à rebours

1. Appuyez sur le bouton.
2. Tournez le bouton sur le nombre d'heures voulu.
3. Appuyez sur le bouton pour régler les heures.
4. Tournez le bouton sur le nombre de minutes voulu.
5. Appuyez sur le bouton pour régler les minutes. Le compte à rebours commencera.
6. Appuyez sur le bouton pour interrompre et reprendre la minuterie.
7. Appuyez sur le bouton et tenez-le enfoncé pour réinitialiser le compte à rebours.

• Minuterie croissante

1. Appuyez sur le bouton et tenez-le enfoncé.
2. La minuterie commencera le chronométrage à partir de 00:00. La minuterie présentera le chronométrage par Minutes:Secondes, puis par Heures:Minutes.
3. Appuyez sur le bouton pour interrompre et reprendre la minuterie.
4. Appuyez sur le bouton et tenez-le enfoncé pour réinitialiser le compte à rebours.

Réglage des températures du thermomètre à viande :

1. Appuyez sur le bouton et tournez-le pour sélectionner le thermomètre à viande (MP1, MP2, MP3, MP4).
2. Appuyez sur le bouton Température.
3. Tournez le bouton sur la température voulue.
4. Appuyez de nouveau sur le bouton Température pour régler la température.
(Si le thermomètre à viande atteint 150 °C, une alarme se fera entendre : le thermomètre à viande devra être retiré de la chaleur et avoir le temps de refroidir. Le thermomètre à viande subira des dommages s'il est laissé à cette température.)
* REMARQUE : en mode Réglage, l'icône du thermomètre à viande clignote.
5. Une fois la température réglée atteinte, l'alarme se fait entendre. Appuyez sur n'importe quel bouton pour la faire taire.

Affichage des renseignements sur l'afficheur :

- Tournez le bouton pour faire défiler la température du fumoir, la minuterie et les thermomètres à viande MP1, MP2, MP3 et MP4 sur l'afficheur.

BLUETOOTH + WiFi

Appairage du fumoir à vos appareils intelligents :

1. Téléchargez l'appli Masterbuilt à partir de l'App Store de Apple ou du Google Play Store sur votre ou vos appareils intelligents. Pour de plus amples renseignements, rendez-vous à masterbuilt.com/pages/app-device-requirements.
2. Une fois le téléchargement terminé, ouvrez l'appli Masterbuilt et suivez les instructions pour appairer votre fumoir Bluetooth + WiFi et vos appareils intelligents.

BLUETOOTH

Appairage du fumoir à vos appareils intelligents :

1. Téléchargez l'appli Masterbuilt à partir de l'App Store de Apple ou du Google Play Store sur votre ou vos appareils intelligents. Pour de plus amples renseignements, rendez-vous à masterbuilt.com/pages/app-device-requirements.
2. Une fois le téléchargement terminé, ouvrez l'appli Masterbuilt et suivez les instructions pour appairer votre fumoir Bluetooth et vos appareils intelligents.

Cet appareil est conforme à la partie 15 du règlement de la FCC. Le fonctionnement est soumis aux deux conditions suivantes :

1. cet appareil ne doit pas causer d'interférences nuisibles, et
2. cet appareil doit accepter toute interférence reçue, y compris des interférences qui peuvent provoquer un fonctionnement non désiré.

Avertissement de la FCC

Avertissement : Tout changement ou toute modification non expressément approuvés par la partie responsable de la conformité peut annuler l'autorisation de l'utilisateur à utiliser cet appareil.

Déclaration de la FCC

Cet appareil a été testé et est conforme aux limites imposées aux dispositifs numériques de classe B, conformément à la section 15 des règlements du FCC. Ces limites sont conçues pour offrir une protection raisonnable contre les interférences nuisibles dans une installation résidentielle. Cet appareil génère, utilise et peut émettre une énergie radiofréquence et peut, s'il n'est pas installé et utilisé selon les consignes, causer des interférences nuisibles aux communications radio.

Cependant, il n'y a aucune garantie que des interférences ne se produiront pas dans une installation donnée. Si cet appareil cause des interférences nuisibles à la réception des signaux de radio ou de télévision, ce qui peut être déterminé en allumant et en éteignant l'appareil, on encourage l'utilisateur à essayer de corriger ces interférences par l'un des moyens suivants :

1. Réorienter l'antenne réceptrice ou la placer à un autre endroit.
2. Augmenter la distance entre l'appareil et le récepteur.
3. Brancher l'appareil dans une prise de courant se trouvant sur un circuit électrique autre que celui auquel il est branché actuellement.
4. Communiquer avec un technicien radio/télévision pour obtenir de l'aide.

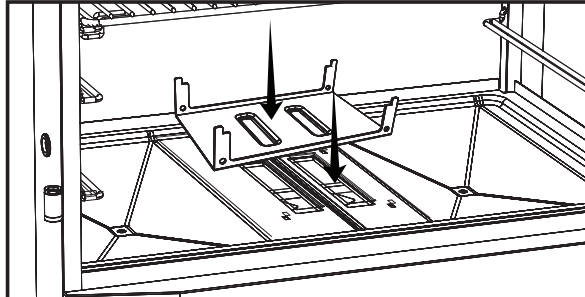
Remarque : Si vous perdez la connexion, le fumoir continuera à fonctionner comme il a été programmé. Le fumoir peut être contrôlé à partir du panneau de commande en cas de défaillance de l'appairage ou de la connexion.

Guide de démarrage rapide

LE BAC COLLECTEUR DE GRAISSE ET LE FUMOIR DOIVENT ÊTRE NETTOYÉS AVANT CHAQUE CUISSON POUR ÉVITER LES INCENDIES DE GRAISSE.

COMMENT ALLUMER L'APPAREIL (105 °C)

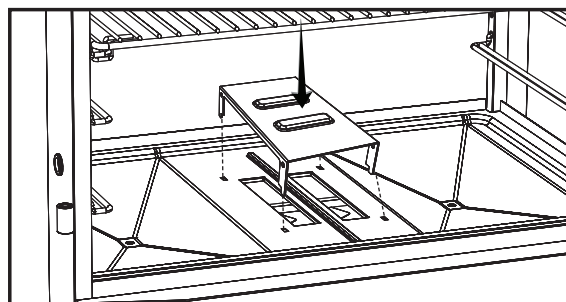
1. Si vous cuisinez à 105 °C, insérez la cloison à charbon dans le panier à charbon et installez la tente du déflecteur de chaleur de la façon illustrée.



2. Mettez les morceaux de bois au centre de la cloison à charbon pour ajouter une saveur de fumée
3. Mettez 0,45 kg de charbon dans le panier à charbon
4. Mettez 2 allume-feu dans le support à allume-feu, dans le coin avant droit du panier à charbon
5. Mettez le bac à cendres, le panier à charbon et la cloison dans le fumoir
6. Fermez la porte supérieure du fumoir
7. Allumez les allume-feu et enfoncez prudemment le bac à cendres dans le compartiment inférieur du fumoir
8. Laissez la porte inférieure ouverte pendant 3 minutes pour laisser aux allume-feu le temps de s'enflammer
9. Au bout de 3 minutes, fermez la porte inférieure
10. Réglez la température à 105 °C
11. Laissez le fumoir préchauffer jusqu'à la température réglée

COMMENT ALLUMER L'APPAREIL (110 °C à 130 °C)

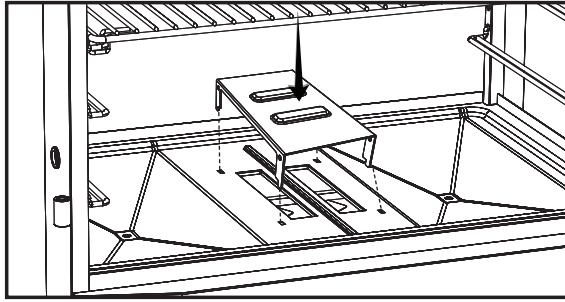
1. Si vous cuisinez à des températures entre 110 °C et 130 °C, insérez la cloison à charbon dans le panier à charbon et installez la tente du déflecteur de chaleur de la façon illustrée.



2. Mettez les morceaux de bois au centre de la cloison à charbon pour ajouter une saveur de fumée
3. Mettez 0,45 kg de charbon dans le panier à charbon
4. Mettez 2 allume-feu dans le support à allume-feu, dans le coin avant droit du panier à charbon
5. Mettez le bac à cendres, le panier à charbon et la cloison dans le fumoir
6. Fermez la porte supérieure du fumoir
7. Allumez les allume-feu et enfoncez prudemment le bac à cendres dans le compartiment inférieur du fumoir
8. Laissez la porte inférieure ouverte pendant 3 minutes pour laisser aux allume-feu le temps de s'enflammer
9. Au bout de 3 minutes, fermez la porte inférieure
10. Réglez la température entre 110 °C et 130 °C
11. Laissez le fumoir préchauffer jusqu'à la température réglée

COMMENT ALLUMER L'APPAREIL (130 °C ET PLUS)

1. Si vous cuisinez à 130 °C ou plus, n'utilisez pas la cloison à charbon, mais installez la tente du déflecteur de chaleur de la façon illustrée.



2. Mettez 7,25 kg de charbon dans le panier à charbon
3. Mettez 2 allume-feu dans le fumoir : un dans le support à allume-feu, l'autre dans le coin arrière du panier
4. Mettez le bac à cendres et le panier à charbon dans le fumoir
5. Fermez la porte supérieure du fumoir
6. Allumez les allume-feu et enfoncez prudemment le bac dans le compartiment inférieur du fumoir
7. Laissez la porte inférieure ouverte pendant 3 minutes pour laisser aux allume-feu le temps de s'enflammer
8. Au bout de 3 minutes, fermez la porte inférieure
9. Réglez la température à 130 °C ou plus
10. Laissez le fumoir préchauffer jusqu'à la température réglée

CHOSSES À SAVOIR :

1. Le fumoir offre une plage de température de 105 °C à 205 °C
2. Le fumoir ne peut pas refroidir pendant la cuisson. Si vous réglez la température à 150 °C et vous le laissez préchauffer, vous ne pouvez pas réduire la température à 105 °C pendant la cuisson.
3. Si vous avez inséré la cloison à charbon dans le panier à charbon, l'appareil ne pourra pas atteindre une température supérieure à 135 °C.
4. Pour accélérer le préchauffage, laissez préchauffer l'appareil sans avoir installé la tente du déflecteur de chaleur. Une fois que le fumoir atteint la température réglée, installez la tente du déflecteur de chaleur à l'endroit approprié.

NETTOYAGE ET ENTREPOSAGE

VEUILLEZ TOUJOURS VOUS ASSURER QUE LE FUMOIR EST FRAIS AU TOUCHER AVANT DE LE NETTOYER ET DE LE RANGER.

- Une fois que le fumoir a complètement refroidi, retirez le bac à cendres du fumoir. Enlevez la totalité de la cendre et du charbon du bac à cendres
- Essuyez l'intérieur du fumoir
- Enlevez toute cendre accumulée dans la chambre de combustion au moyen d'un aspirateur
- Essuyez et nettoyez les grilles de cuisson et la cuvette d'eau (les deux vont au lave-vaisselle)
- Retirez le cordon d'alimentation – n'exposez pas l'appareil aux intempéries (comme la pluie et la neige)
- Couvrez votre fumoir
- Entrez-le dans un endroit frais et sec



MASTERBUILT®

Soyez certain que nous sommes ici pour aider.

Service à la clientèle

masterbuilt.com/contact-us
masterbuilt.com/warranty
masterbuilt.com/collections/parts

@masterbuilt



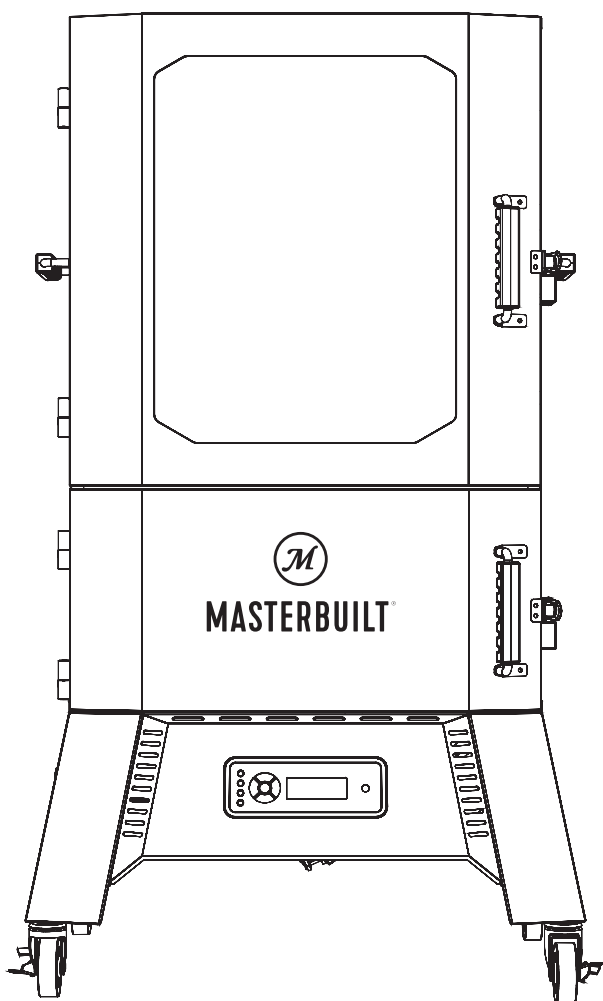
masterbuilt.com



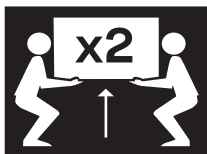


MASTERBUILT®

Bienvenido a la familia. ¡Comencemos!




MASTERBUILT®



Se recomiendan dos personas para el ensamblaje

CS40G1DW

Ahumador con carbón vegetal digital

El manual se aplica a los siguientes números de modelos

MB20060321

Su número de modelo

Fecha de fabricación - Número de serie

Estos números se encuentran en la etiqueta de clasificación del ahumador.

IMPORTANTE

Conserve esta información inmediatamente y manténgala en un lugar seguro para uso futuro.

Manual Code / Código del manual: 9806200002 200831-GH

Domínelo. Masterbuilt.



ADVERTENCIA



- Este manual contiene información importante necesaria para el correcto ensamblaje y uso seguro del aparato.
- Lea y siga todas las advertencias e instrucciones antes de ensamblar y usar el aparato.
- Conserve este manual para referencia en el futuro.



Si no sigue estas instrucciones, podría producirse un peligro de incendio, explosión o quemadura, lo cual podría causar daños a la propiedad, lesiones personales o la muerte.



PELIGRO DE MONÓXIDO DE CARBONO



- Quemar trozos de madera, leños de madera, perlas de madera, carbón vegetal y propano produce monóxido de carbono que no tiene olor y puede causar la muerte.
- NO queme trozos de madera, leños de madera, perlas de madera, carbón vegetal o propano dentro de viviendas, vehículos, tiendas para camping, garajes o cualquier área cerrada.
- USE SOLAMENTE AL AIRE LIBRE donde está bien ventilado.



ADVERTENCIAS Y SALVAGUARDAS IMPORTANTES



LEA TODAS LAS INSTRUCCIONES

- Antes de cada uso, retire y limpie la bandeja de grasa. Retire toda la grasa del recipiente para grasa antes de encender el ahumador.
- Siempre use el ahumador en conformidad con todos los códigos contra incendios locales, estatales y federales aplicables.
- Antes de cada uso, verifique todas las tuercas, tornillos y pernos para asegurarse que estén firmes y asegurados.
- Nunca opere este ahumador bajo cualquier construcción aérea combustible, como cubiertas de techos, porches de autos, toldos o voladizos.
- El ahumador es SOLO PARA USO CASERO EN EXTERIORES.
- Nunca use dentro de áreas cerradas como patios, garajes, edificios o tiendas.
- Nunca use dentro o sobre botes o vehículos recreativos.
- Mantenga una distancia mínima de 3 m de construcciones aéreas, paredes, rieles u otras estructuras.
- Mantenga un mínimo de 3 m de espacio libre de todos los materiales combustibles como madera, plantas secas, césped, escobillas, papel o lienzos.
- Nunca use el ahumador para ninguna otra cosa que no sea su propósito intencionado. Este ahumador NO es para uso comercial.
- NO se recomienda usar accesorios adicionales no suministrados por Masterbuilt Manufacturing, LLC; estos podrían causar lesiones.
- El uso de alcohol y de medicamentos con o sin receta pueden obstaculizar la habilidad del usuario de ensamblar u operar correctamente el ahumador.
- Conserve un extintor de incendios accesible en todo momento mientras opere el ahumador.
- Cuando cocine con aceite o grasa, tenga un extintor tipo BC o ABC a disponibilidad.
- En caso de un incendio de aceite o grasa, no intente extinguirlo con agua. Llame inmediatamente al departamento de bomberos. En ciertos casos, un extintor tipo BC o ABC puede contener el incendio.
- Use el ahumador sobre una superficie no combustible y estable tal como tierra, concreto, ladrillo o piedra. Mejor no utilizar una superficie de asfalto (bituminosa) para este propósito.
- El ahumador DEBE estar sobre el suelo. No coloque el ahumador en mesas o mostradores. NO mueva el ahumador por superficies desniveladas.
- No use el ahumador en superficies de madera o inflamables.
- Mantenga el ahumador despejado y libre de materiales combustibles, como gasolina y otros vapores y líquidos inflamables.
- NO deje el ahumador desatendido.
- Mantenga a los niños y mascotas lejos del ahumador en todo momento. NO permita que los niños



ADVERTENCIAS Y SALVAGUARDAS IMPORTANTES



- usen el ahumador. Es necesaria una supervisión cercana cuando haya niños o mascotas en el área donde se usa el ahumador.
- NO permita que nadie realice actividades alrededor del ahumador durante o después de su uso hasta que se haya enfriado.
 - Nunca use recipientes de vidrio, plástico o cerámica en el ahumador. Nunca coloque utensilios vacíos en el ahumador mientras esté en uso.
 - Nunca mueva el ahumador cuando esté en uso. Deje que el ahumador se enfríe completamente (por debajo de los 45°C antes de moverlo o guardarlo).
 - No almacene el ahumador con carbón o cenizas calientes dentro de él o de la tolva. Almacene únicamente cuando el fuego esté totalmente apagado y todas las superficies estén frías.
 - Nunca utilice este ahumador como un calentador (LEER PELIGRO DE MONÓXIDO DE CARBONO).
 - El ahumador está CALIENTE mientras está en uso y permanecerá CALIENTE por un cierto período de tiempo y durante el proceso de enfriamiento. Tenga PRECAUCIÓN. Use guantes/mitones de protección.
 - Tenga cuidado cuando retire los alimentos del ahumador. Todas las superficies están CALIENTES y pueden causar quemaduras. Use guantes/mitones de protección o herramientas de cocción resistentes para protegerse de las superficies calientes o las salpicaduras de los líquidos de la cocción.
 - NO choque o golpee el ahumador para evitar lesiones personales, daños al ahumador o derrames/salpicaduras del líquido de cocción caliente.
 - No toque las superficies CALIENTES
 - El ahumador está caliente durante su uso. Para evitar quemaduras, mantenga el rostro y cuerpo lejos de la(s) puerta(s) y ductos. Se expelen vapor y aire caliente durante el uso.
 - El ahumador tiene una llama abierta. Mantenga sus manos, cabello y rostro lejos de la llama. NO se incline sobre el quemador mientras lo esté encendiendo. El cabello y la ropa sueltos pueden incendiarse.
 - NO obstruya el flujo de combustión y ventilación.
 - No cubra las rejillas de cocción con papel aluminio. Esto atraparé el calor y podría causar daños al ahumador.
 - Nunca desatienda el carbón o las cenizas CALIENTES.
 - No retire las cenizas mientras las cenizas y el carbón estén CALIENTES.
 - Mantenga sus manos, cabello y rostro lejos del carbón ardiendo. Tenga cuidado con los cabellos y la ropa sueltos durante la operación ya que pueden incendiarse.
 - Use guantes protectores cuando manipule este ahumador o cuando trabaje con fuego. Use guantes protectores o herramientas de cocina largas y robustas cuando agregue madera o carbón.
 - Nunca use líquido de encendido de carbón, gasolina, alcohol u otros líquidos altamente volátiles para encender el carbón vegetal. Estos fluidos pueden explotar causando lesiones o la muerte. Siempre siga las instrucciones de encendido específicas para este ahumador.
 - Nunca llene demasiado la rejilla del carbón. Esto puede ocasionar lesiones graves así como dañar el ahumador.
 - Deseche las cenizas frías colocándolas en papel aluminio, remojándolas en agua y desechándolas en un contenedor no combustible.
 - Cuando use artefactos eléctricos, siempre se deben seguir las precauciones básicas de seguridad, incluyendo las siguientes: 1) No enchufe el artefacto hasta que esté completamente ensamblado y listo para usarse. 2) Use únicamente un tomacorrientes eléctrico puesto a tierra aprobado. 3) No use el ahumador durante una tormenta eléctrica. 4) No exponga el artefacto a la lluvia o al agua en ningún momento.
 - Para protegerse contra una descarga eléctrica, no sumerja el cable, enchufe o panel de control en agua u otro líquido.
 - No opere ningún artefacto con un cable o enchufe dañado, o si el artefacto se malogra o se ha dañado de alguna manera. Contacte al Servicio de atención al cliente de Masterbuilt al: 1-800-489-1581.
 - Se pueden usar cables de extensión si se tiene cuidado en su uso.
 - Si se usa un cable de extensión: 1) La calificación eléctrica marcada del cable de extensión debe ser al menos igual que la calificación eléctrica del artefacto; y 2) El cable debe acomodarse de tal forma que no cuelgue del mostrador o de la mesa, de donde pueda ser tirado por los niños o donde sea objeto de tropiezo inintencional.
 - El cable de extensión debe ser uno de tipo 3 puesto a tierra.
 - Se debe usar cables de extensión para exteriores con productos de uso para exteriores, los cuales deben llevar una marca del sufijo "W", además de la leyenda "Apropiado para uso con artefactos de uso en exteriores".
 - PRECAUCIÓN - Para reducir el riesgo de descarga eléctrica, conserve seco el cable de extensión y fuera de la tierra.
 - No permita que el cable esté colgando o tocando superficies calientes.
 - No lo coloque encima o cerca a una hornilla eléctrica o de gas, o en un horno calentado.
 - Para desconectar, apague el controlador, luego retire el enchufe del tomacorrientes.



ADVERTENCIAS Y SALVAGUARDAS IMPORTANTES



- Desenchufe del tomacorrientes cuando no esté en uso y antes de la limpieza. Deje que el artefacto se enfríe completamente antes agregar/retirar componentes internos.
- No limpie este producto con un rociador de agua o producto similar.
- El ahumador solo debe movilizarse sobre una superficie lisa.
- El ahumador nunca debe movilizarse escaleras arriba/abajo o por superficies desiguales.
- Puede resultar un daño potencial al ahumador si no se siguen las advertencias.
- Nunca abra la tolva durante el uso. Si es necesario rellenar el carbón durante el uso, siga las instrucciones de recarga específicas para esta parrilla y siempre use guantes de protección.
- Nunca opere el ahumador con la sonda de temperatura retirada. Esto puede hacer que el ahumador se sobrecaliente y cause graves lesiones personales y/o daños al ahumador.
- No cocine antes que el combustible tenga una cubierta de cenizas.
- No usar en interiores.
- ¡ADVERTENCIA! ¡No use licor o petróleo para encender o reencender! ¡Use sólo encendedores de fuego que cumplan con EN 1860-3!
- ¡ADVERTENCIA! Esta parrilla se tornará muy caliente, no la mueva mientras esté en funcionamiento.
- ¡ADVERTENCIA! Mantenga a los niños y a las mascotas alejadas.
- No use la parrilla en un espacio confinado y/o habitable, p. ej. en casas, tiendas, remolques, casas rodantes, botes. Peligro: Muerte por envenenamiento por monóxido de carbono.
- ¡ADVERTENCIA! ¡No use licores o petróleo para encender o reencender! ¡Use solamente encendedores de fuego comunes que cumplan con La norma EN 1860-3!

Este dispositivo cumple con las normas RSS exentas de licencia de Industry Canada. La operación está sujeta a las siguientes dos condiciones:

- (1) Este dispositivo no puede causar interferencia, y
- (2) Este dispositivo debe aceptar cualquier interferencia, incluyendo interferencias que puedan causar una operación no deseable del dispositivo.

Este equipo cumple con los límites de exposición a la radiación del IC Establecidos para un entorno no controlado. Este equipo debe instalarse y operarse con una distancia mínima de 20 cm entre el radiador y su cuerpo.

EL AHUMADOR NO VIENE CON CARBÓN VEGETAL O TROZOS DE MADERA.

Recomendaciones de proximidad estructural y uso seguro

RECORDATORIO: Mantenga una distancia mínima de 3 m de la parte trasera y los costados de las paredes, rieles u otras construcciones combustibles. Este despeje ofrece un espacio adecuado para una adecuada combustión, circulación del aire y ventilación. No debe usarse en materiales combustibles como plataformas u otros materiales combustibles.

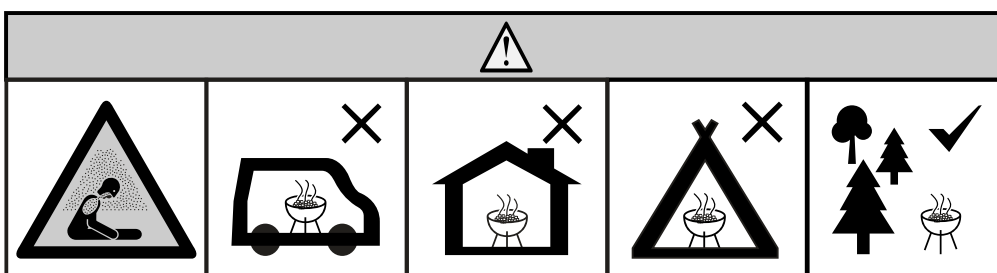
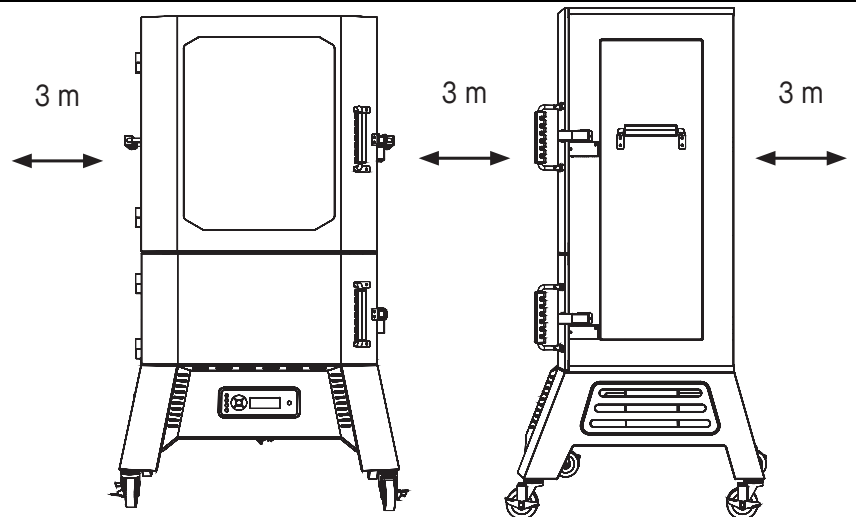
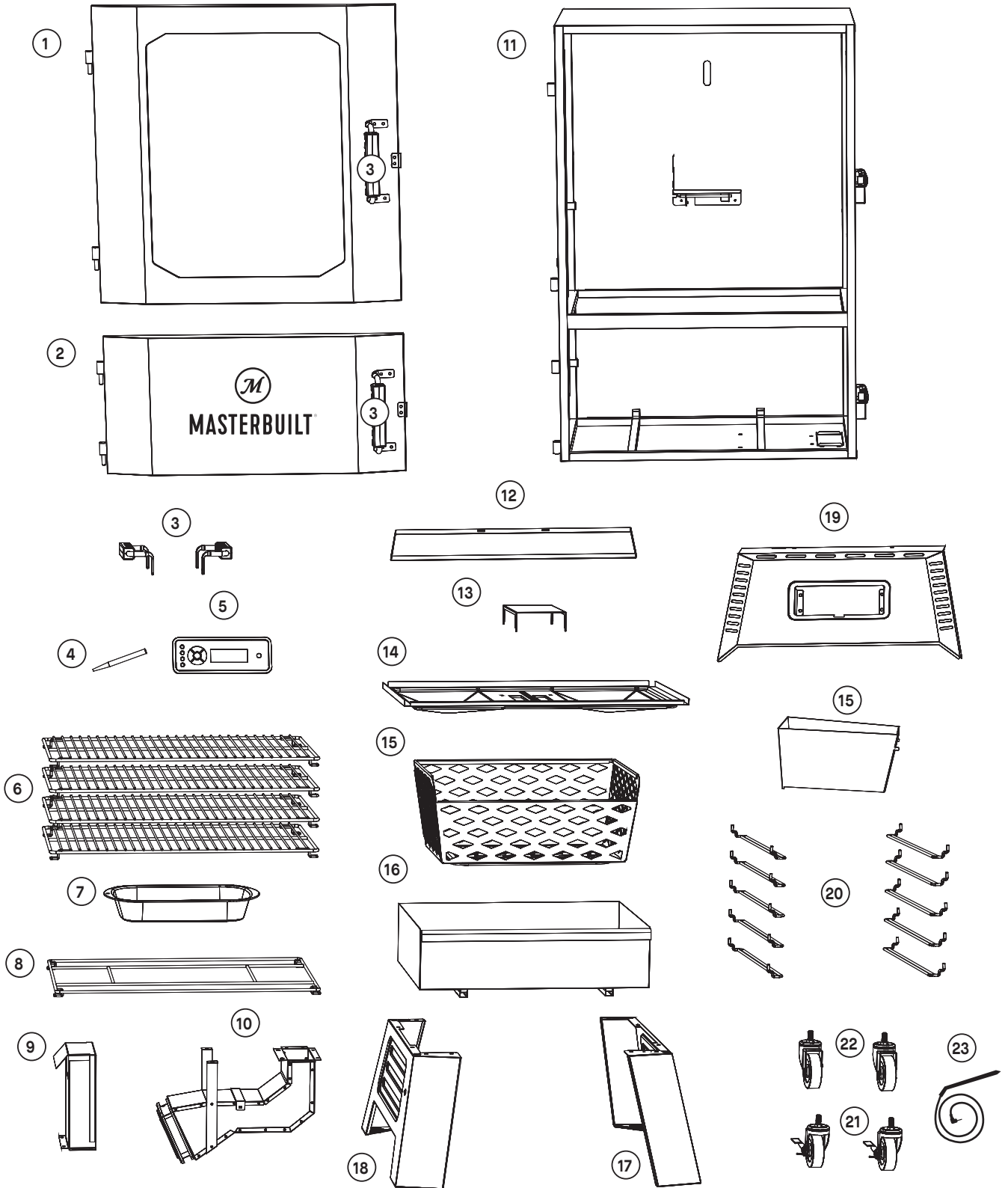


Diagrama de partes



Lista de partes

NO.	CANT.	DESCRIPCIÓN	NO.	CANT.	DESCRIPCIÓN
1	1	Puerta superior	13	1	Cubierta del deflector de calor
2	1	Puerta inferior	14	1	Bandeja de grasa
3	4	Asa	15	1	Cesto y divisor para el carbón vegetal
4	1	Antena	16	1	Bandeja de cenizas
5	1	Controlador	17	1	Patas derechas
6	4	Rejilla	18	1	Patas izquierdas
7	1	Tazón de agua	19	1	Abrazadera de la pata delantera
8	1	Rejilla del tazón de agua	20	10	Soportes de la rejilla
9	1	Tubo del ventilador	21	2	Ruedecillas con bloqueo
10	1	Ensamblaje del tubo del ventilador inferior	22	2	Ruedecillas sin bloqueo
11	1	Cuerpo	23	1	Sonda para carne
12	1	Abrazadera de la pata posterior		1	Cable de alimentación (sin imagen)

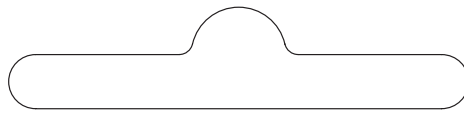
• **ANTES DEL ENSAMBLAJE, LEA TODAS LAS INSTRUCCIONES CUIDADOSAMENTE.**

- Ensamble sobre una superficie plana y limpia.
- Se recomienda ensamblar sobre un cartón para evitar derramar residuos o rayar el piso.
- Se recomienda usar guantes para el ensamblaje.
- Herramientas necesarias: Destornillador en cruz Phillips, llave ajustable, llave de tubo de 19 mm.
- Tiempo de ensamblaje aproximado: 45 minutos.
- Se recomienda que dos personas ensamblen la unidad para facilitar y reducir el tiempo de ensamblaje.
- El producto real puede ser distinto de la imagen mostrada.
- Es posible que algunos pasos del ensamblaje hayan sido completados en fábrica.
- **Retire todas las etiquetas impresas del ahumador antes de usar.**

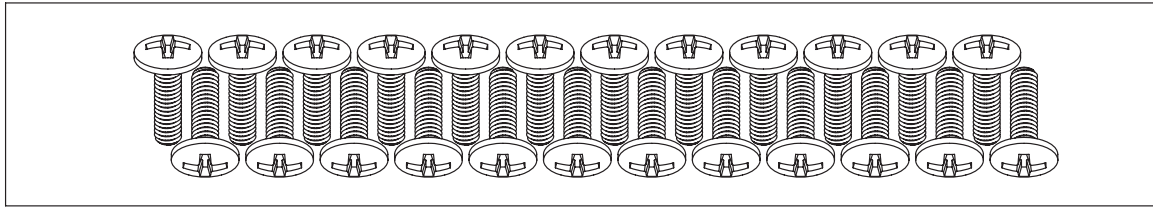


NO REGRESE AL MINORISTA para solicitar asistencia en el ensamblaje, o partes faltantes o dañadas. Contacte al Servicio al cliente de MASTERBUILT al 1-800-489-1581 o en www.masterbuilt.com/pages/support. Tenga a la mano el número de modelo y el número de serie. Estos números se encuentran en la etiqueta plateada de clasificación del ahumador.

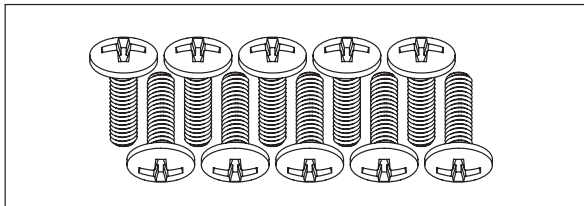
Accesorios



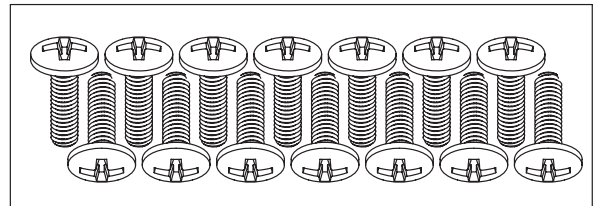
A M4*14



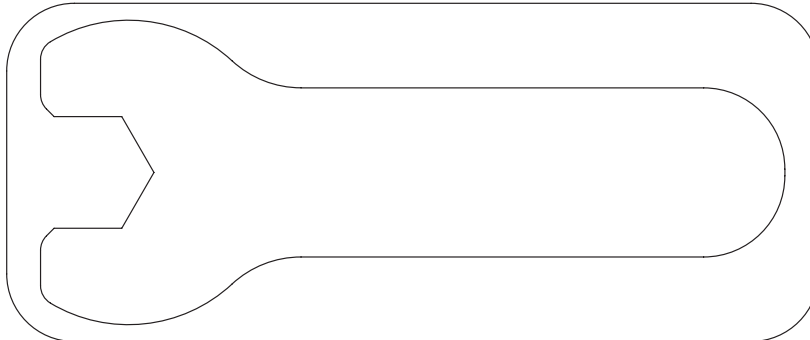
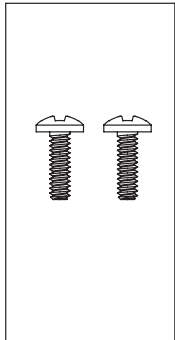
B M5*14



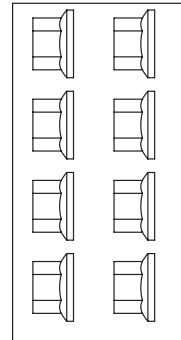
C M6*14



D ST3*12



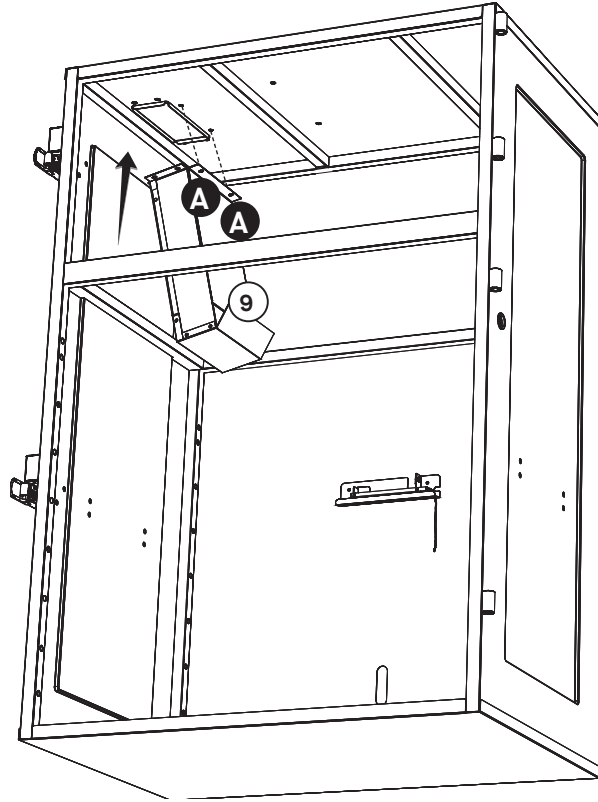
E M4



CLAVE	CANT.	DESCRIPCIÓN
A	24	M4X14
B	10	M5X14
C	14	M6X14
D	2	ST3X12
E	8	TUERCA M4

1

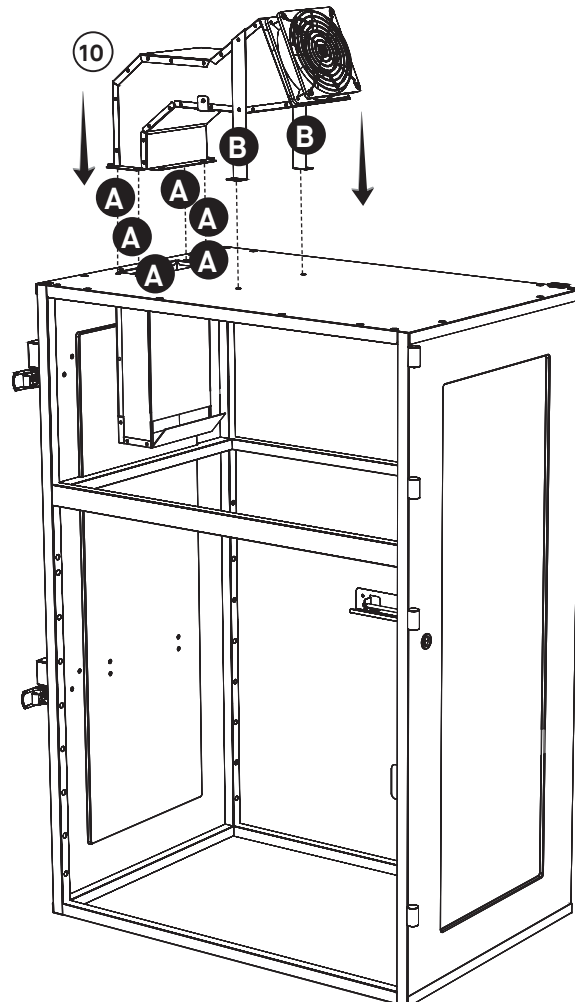
A
X2



2

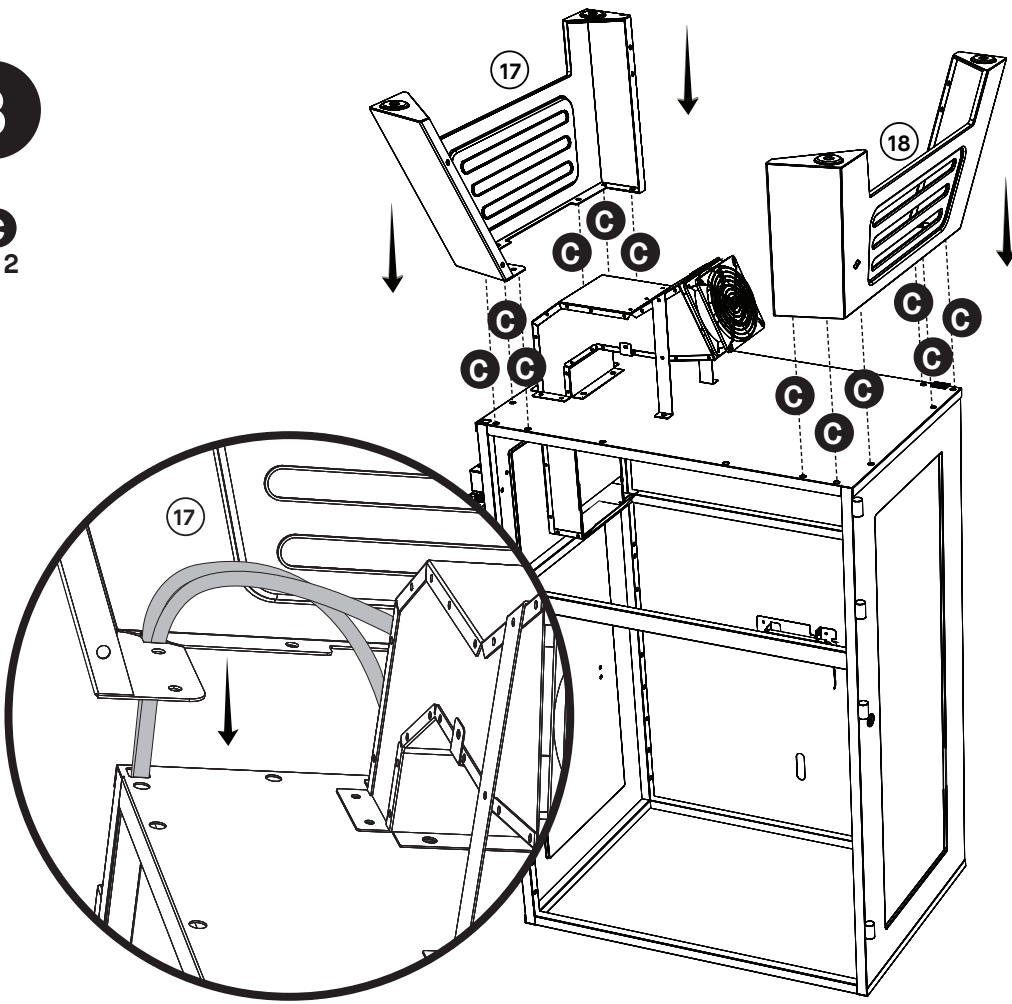
A
X6

B
X2



3

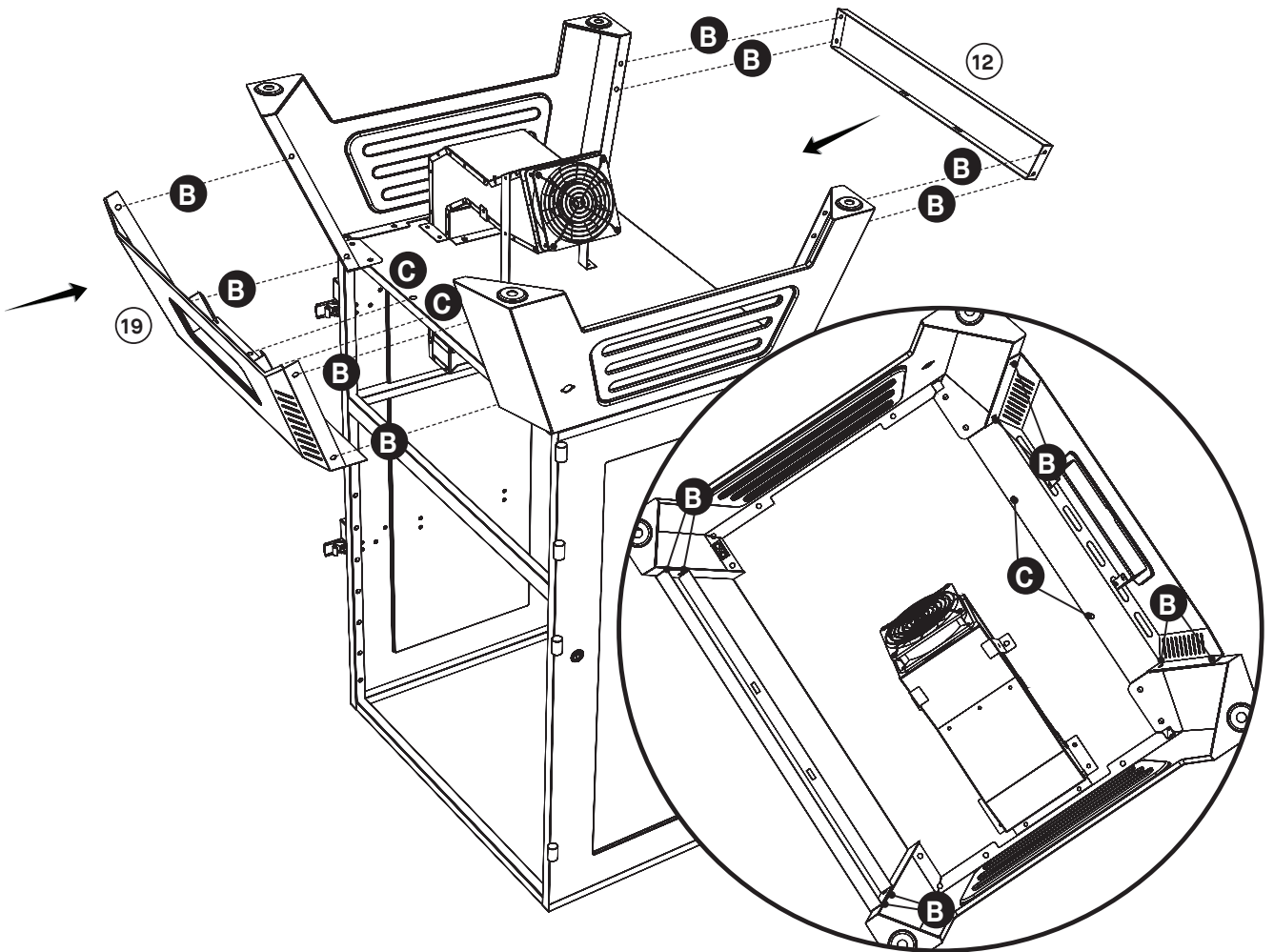
C
X12



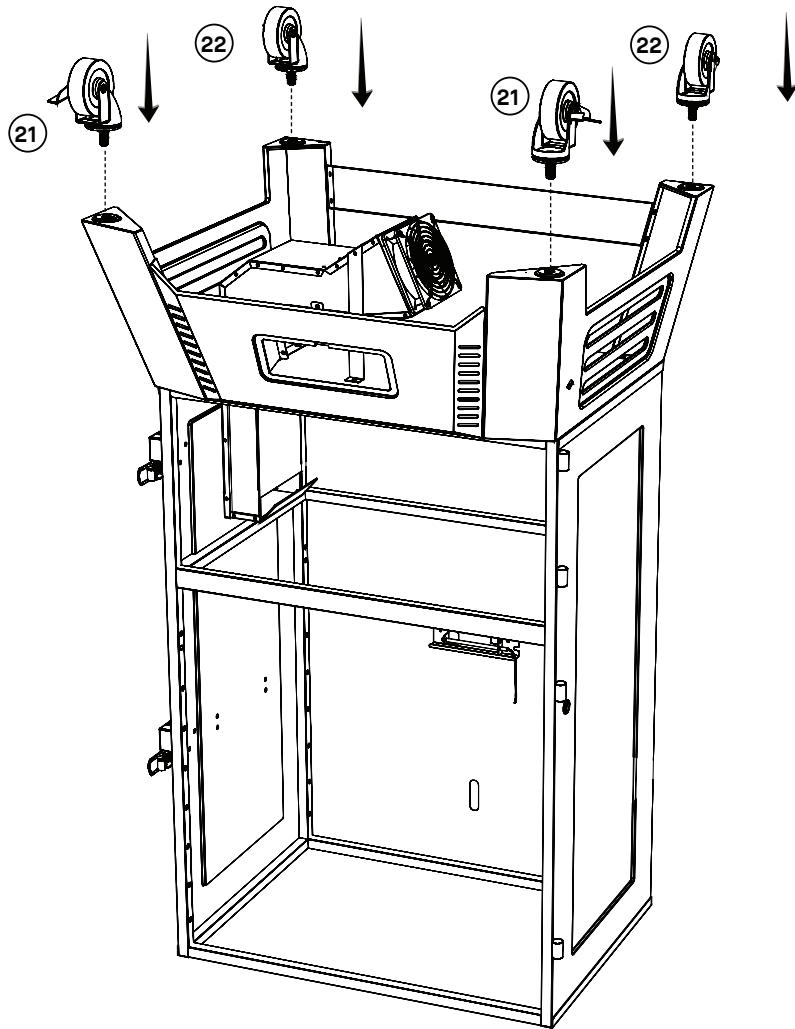
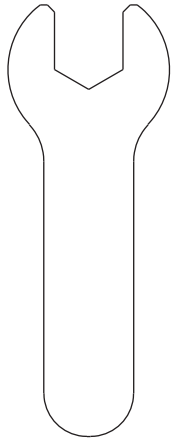
4

C
X2

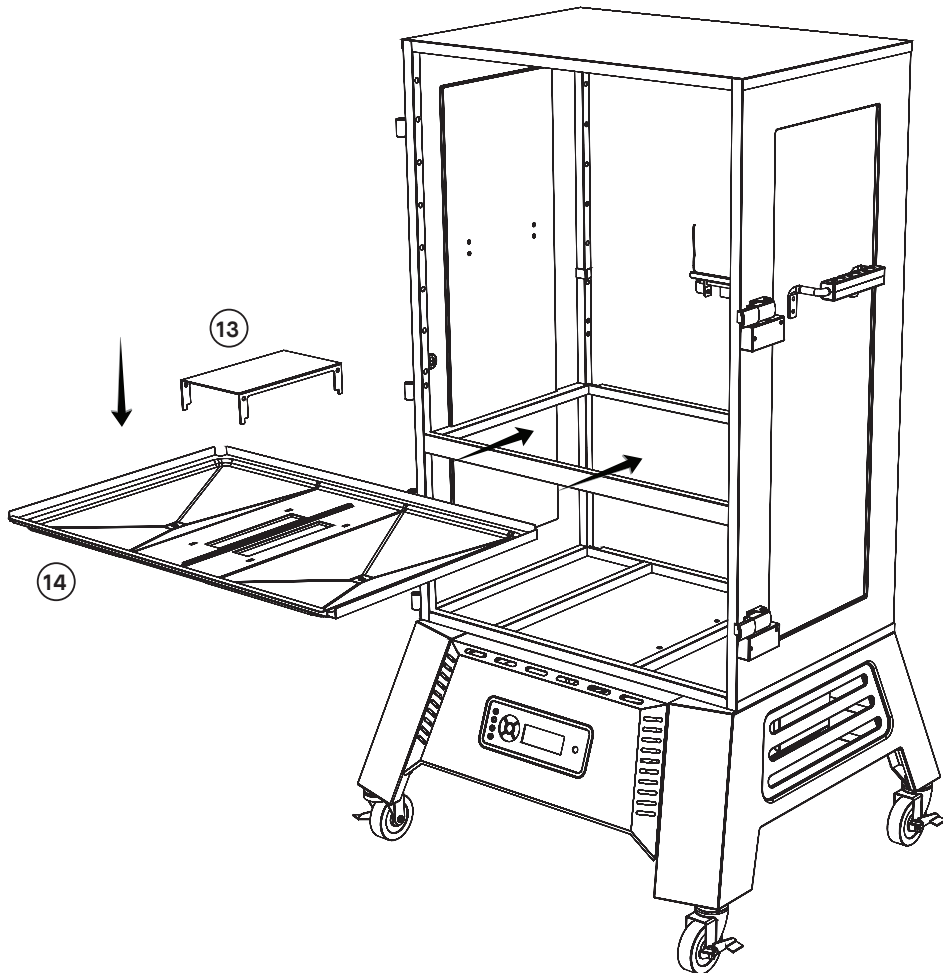
B
X8



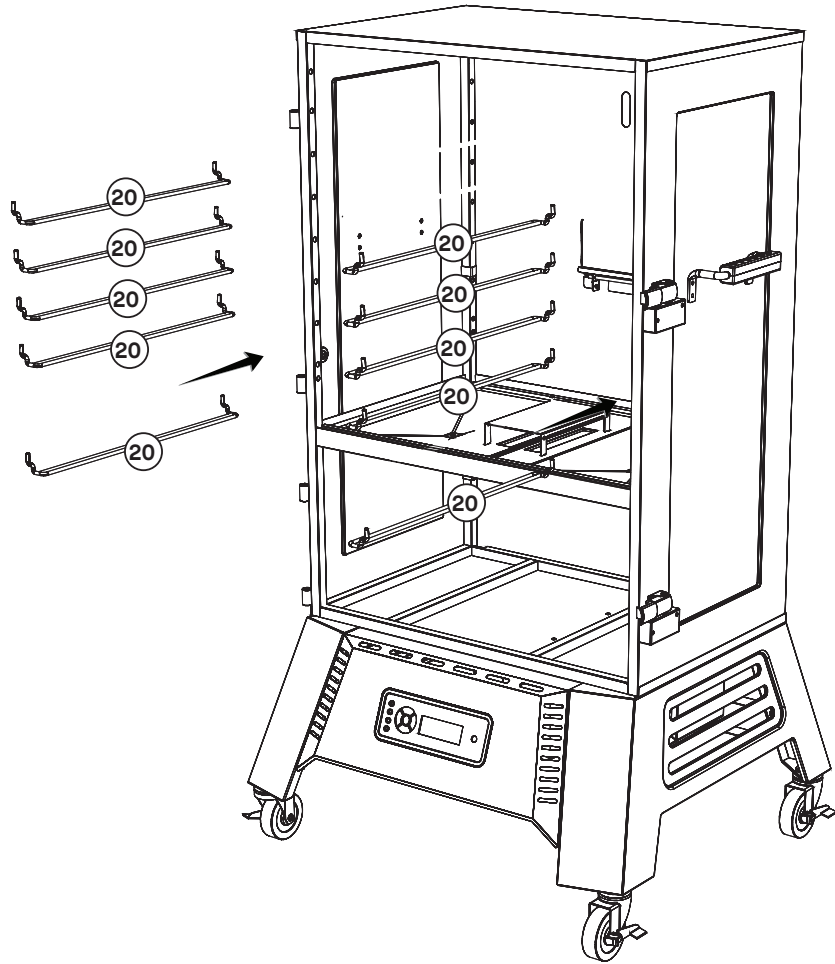
5



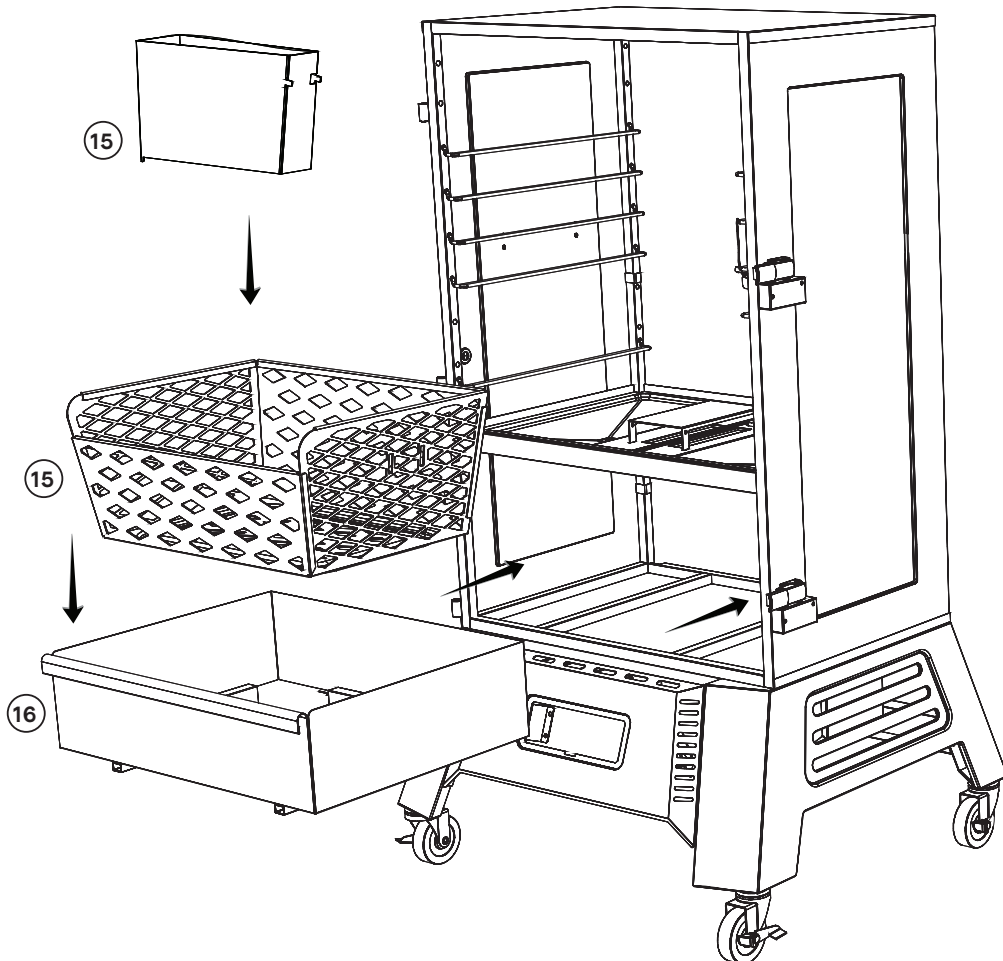
6



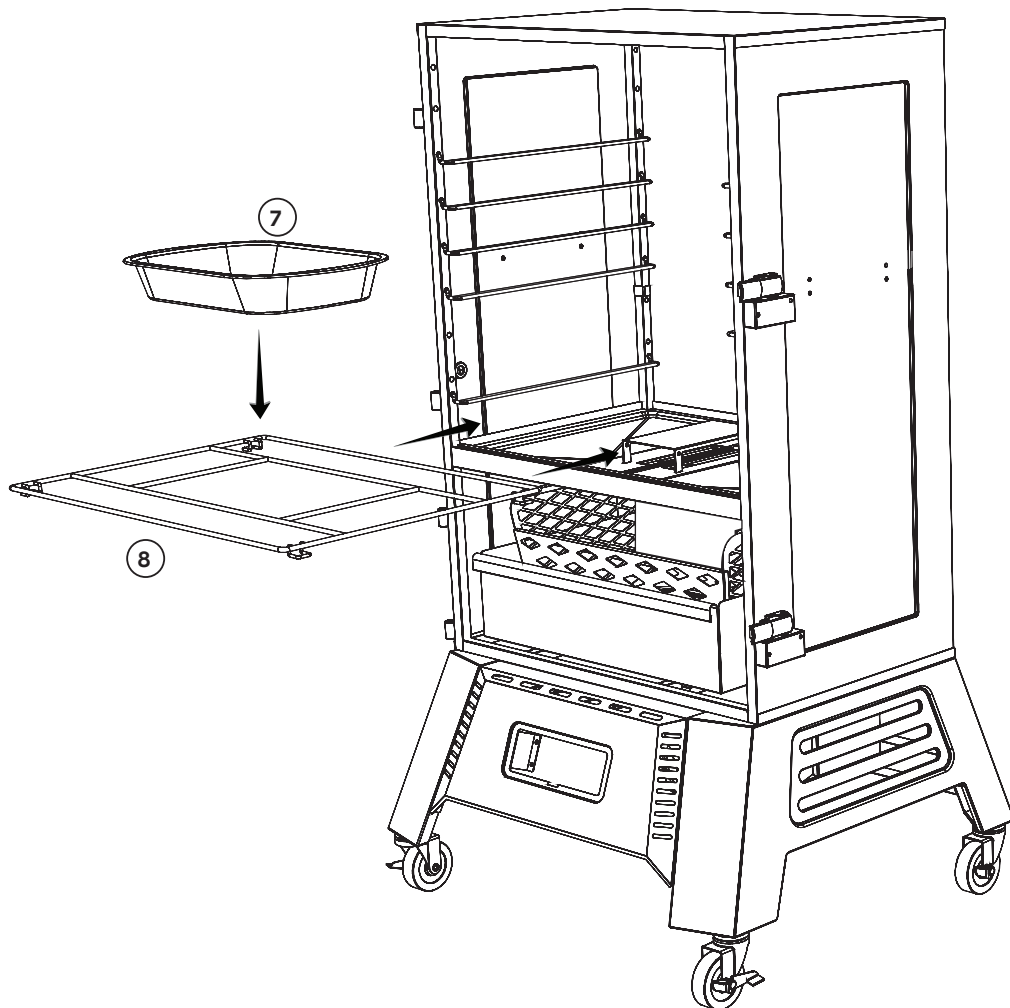
7



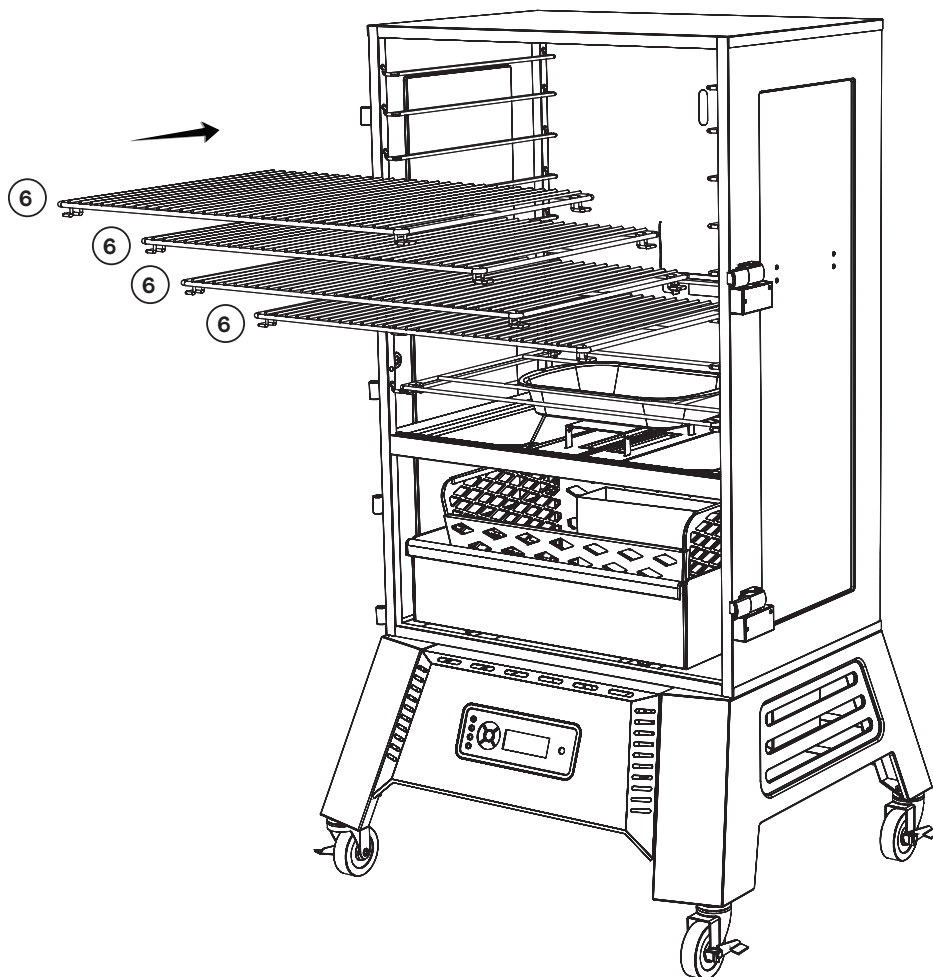
8



9

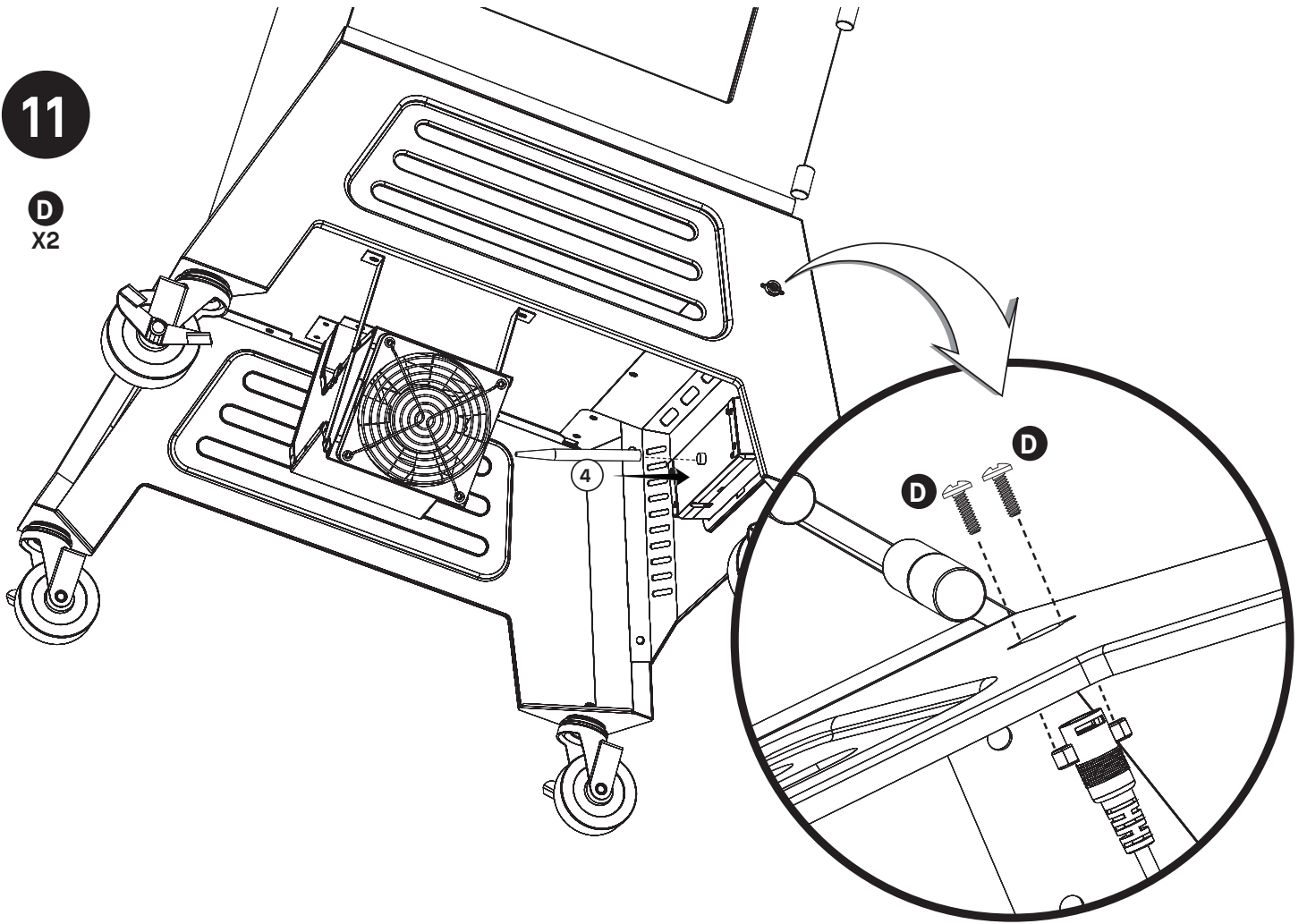


10

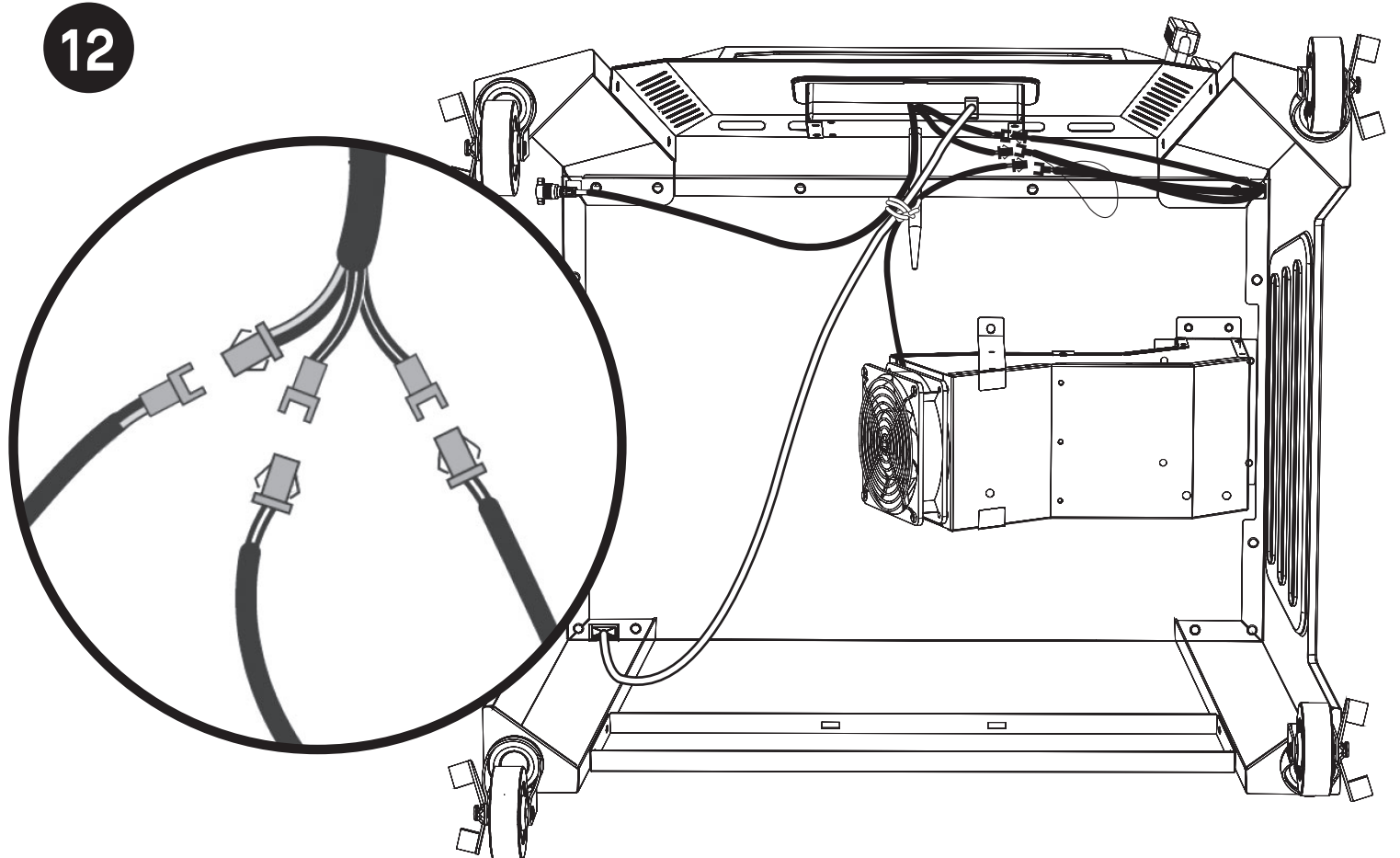


11

D
X2



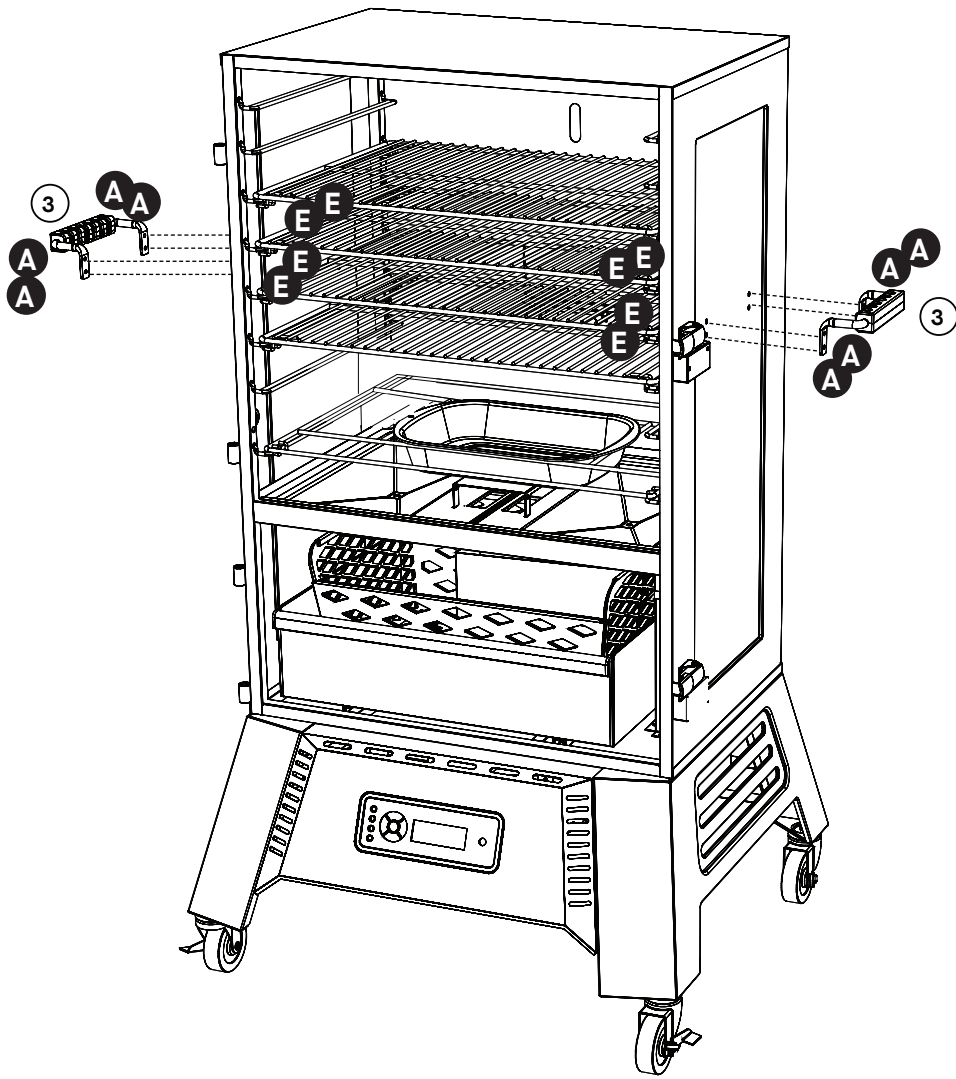
12



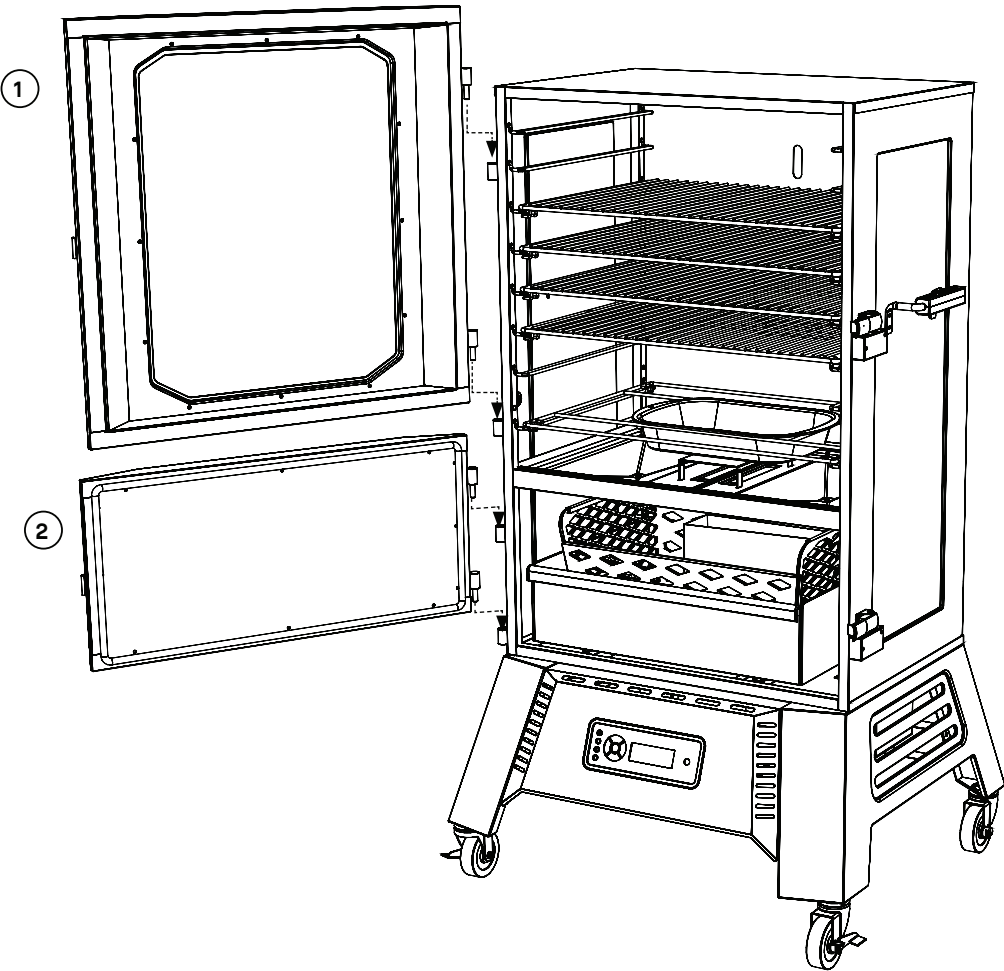
13

A
X8

E
X8

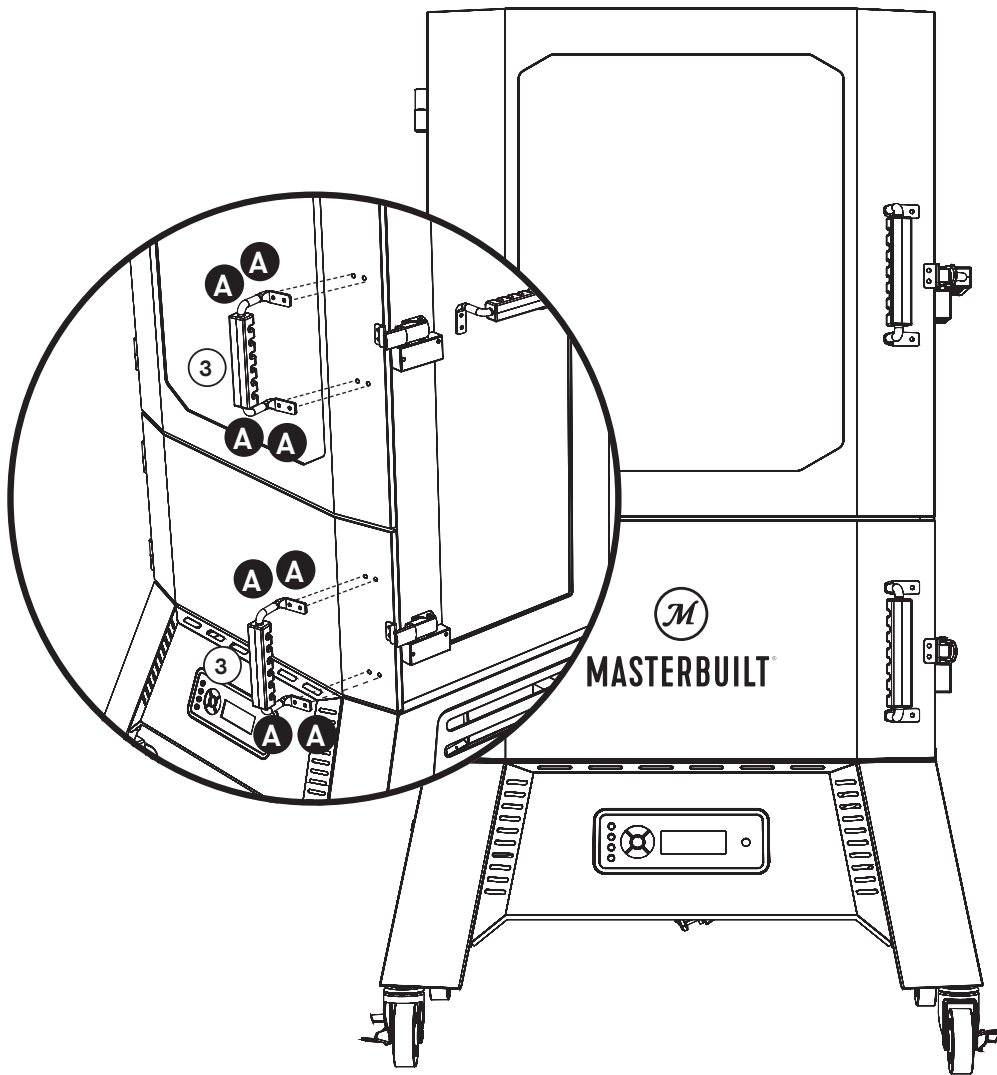


14



15

A
X8



Instrucciones de operación

EL ENSAMBLAJE ESTÁ LISTO. ¡VAMOS A DIVERTIRNOS!

CURADO PREVIO

El curado previo permitirá que su ahumador se deshaga de las sustancias químicas y aceites dejados por el proceso de fabricación, permitiendo que se quemen y desvanezcan. CURE PREVIAMENTE SU AHUMADOR ANTES DEL PRIMER USO.

1. Inserte el divisor del carbón vegetal en el cesto para el carbón vegetal.
2. Llene el cesto para el carbón vegetal $\frac{1}{4}$ - $\frac{1}{2}$ lleno con carbón vegetal (aproximadamente 2-2.5 kg de carbón).
3. Encienda el ahumador siguiendo las instrucciones de ARRANQUE y configure la temperatura a 135°C por 120 minutos.
4. Luego de 120 minutos, configure la temperatura a 205°C, deje que el ahumador siga ardiendo el carbón restante.
5. Deje que el ahumador se enfríe COMPLETAMENTE.
6. Una vez frío, retire todas las cenizas de la bandeja de cenizas en el ahumador. Limpie su divisor de carbón vegetal, el cesto de carbón vegetal y la bandeja de cenizas con grasa vegetal. Esto permitirá que estos componentes se conserven curados.
7. Una vez aceitados, repita los pasos 1 - 5.

Un curado frecuente evita el óxido. Si se oxida, limpie con un cepillo de acero, aplique grasa vegetal y caliente como se indica anteriormente.

PROCESO DE APAGADO

1. Retire todos sus alimentos del ahumador
2. Cierre ambas puertas
3. Configure la unidad a 205°C
4. Deje la unidad encendida y permita que el carbón vegetal arda por completo
5. Una vez que el carbón vegetal haya ardido, deje que la unidad se enfríe antes de limpiarla y guardarla

AÑADIENDO HUMO / SABOR

Para añadir un sabor a humo de madera, mezcle los trozos o bloques de madera en su cesto para el carbón vegetal con el carbón antes de comenzar con su cocción. O, si está cocinando a temperaturas con el divisor de carbón, cargue trozos de madera en el centro del divisor. A medida que el carbón vegetal empieza a arder a través del cesto, sus trozos de madera ahumarán y añadirán un sabor increíble.

PANEL DE CONTROL



Encendido/Apagado del controlador:

1. Presione el botón para encender el controlador.
2. Presione y mantenga presionado el botón para apagar el controlador de potencia.



Para configurar la temperatura:

1. Presione el botón.
2. Gire la perilla a la temperatura deseada.
3. Presione el botón nuevamente para configurar la temperatura (La temperatura se configura automáticamente después de 3 segundos).



Configurar tiempo:

- **Temporizador de cuenta regresiva**
 1. Presione el botón.
 2. Gire la perilla a la hora deseada.
 3. Presione el botón para configurar las horas.
 4. Gire la perilla a los minutos deseados.
 5. Presione el botón para configurar los minutos. El temporizador empezará a funcionar.
 6. Presione el botón para pausar y reanudar el temporizador.
 7. Presione y mantenga presionado el botón para reanudar el temporizador.
- **Temporizador de cuenta ascendente.**
 1. Presione y mantenga presionado el botón.
 2. El temporizador comenzará el conteo ascendente desde 00:00. El temporizador contará por Minutos:Segundos y luego Horas:Minutos.
 3. Presione el botón para pausar y reanudar el temporizador.
 4. Presione y mantenga presionado el botón para reanudar el temporizador.

Clavijas de la sonda para carne



Configura la temperatura de °F a °C:

1. En apagado, sostenga el botón configurar temp
2. Presione el botón de encendido/apagado
3. La unidad se enciende con "F" o "C" parpadeando en pantalla
4. Use la perilla para seleccionar la unidad de temp
5. Presione configurar temp para confirmar

Para configurar las temperaturas de la sonda para carne:

1. Presione el botón y gire la perilla para seleccionar la sonda para carne (MP1, MP2, MP3, MP4).
2. Presione el botón de temperatura.
3. Gire la perilla a la temperatura deseada.
4. Presione el botón de temperatura otra vez para configurar la temperatura.
(Si la sonda para carne alcanza los 150 °C, sonará una alarma y la sonda para carne deberá ser retirada del calor para que pueda enfriarse). La sonda para carne se dañará si se deja en esta temperatura.

* NOTA: El ícono de la sonda para carne parpadea en modo configuración.

5. Una vez alcanzada la temperatura, sonará una alarma. Presione cualquier botón para apagarla.

Visualización de información en la pantalla:

- Si gira la perilla, podrá avanzar la visualización a través de la temperatura del ahumador, el temporizador y las sondas para carne; MP1, MP2, MP3 y MP4.

BLUETOOTH + WiFi

Emparejamiento del ahumador con un dispositivo inteligente:



1. Descargue la aplicación de Masterbuilt desde la Apple App Store o Google Play Store a su(s) dispositivo(s) inteligente(s). Para mayor información, visite: masterbuilt.com/pages/app-device-requirements.
2. Una vez completada la descarga, abra la aplicación de Masterbuilt y siga las instrucciones para emparejar su parrilla con Bluetooth + WiFi y su(s) dispositivo(s) inteligente(s).

BLUETOOTH



Emparejamiento de la parrilla con un dispositivo inteligente:

1. Descargue la aplicación de Masterbuilt desde la Apple App Store o Google Play Store a su(s) dispositivo(s) inteligente(s). Para mayor información, visite: masterbuilt.com/pages/app-device-requirements.
2. Una vez completada la descarga, abra la aplicación de Masterbuilt y siga las instrucciones para emparejar su parrilla con Bluetooth y su(s) dispositivo(s) inteligente(s).

Este dispositivo cumple con la Parte 15 de las Reglas de la FCC. La operación está sujeta a las siguientes dos condiciones:

1. Este dispositivo no puede causar interferencias dañinas y
2. Este dispositivo debe aceptar cualquier interferencia recibida, incluyendo interferencias que puedan causar una operación indeseada.

Advertencia del FCC

Advertencia: Los cambios o modificaciones a este ahumador no explícitamente aprobados por la parte responsable del cumplimiento, podría invalidar la autoridad del usuario de operar el equipo.

Declaración de la FCC

Este equipo ha sido probado y se ha encontrado que cumple con los límites de un dispositivo digital Clase B, conforme a la Parte 15 de las Reglas de la FCC. Estos límites han sido diseñados para ofrecer una protección razonable contra la interferencia perjudicial en una instalación residencial. Este equipo genera, usa y puede irradiar energía de radiofrecuencia y, si no se instala y usa en conformidad con las instrucciones, puede causar interferencias dañinas a las comunicaciones de radio.

Sin embargo, no hay garantía que la interferencia no vaya a ocurrir en una instalación en particular. Si este equipo causa interferencia dañina a la recepción de radio o televisión, lo que se puede determinar encendiendo y apagando el equipo, el usuario deberá intentar corregir la interferencia por medio de una de las siguientes medidas:

1. Reoriente o reubique la antena receptora.
2. Aumente la separación entre el equipo y el receptor.
3. Conecte el equipo a un tomacorrientes en un circuito diferente del de donde está conectado el receptor.
4. Consulte con el representante o con un técnico experimentado con radio o TV si necesita ayuda.

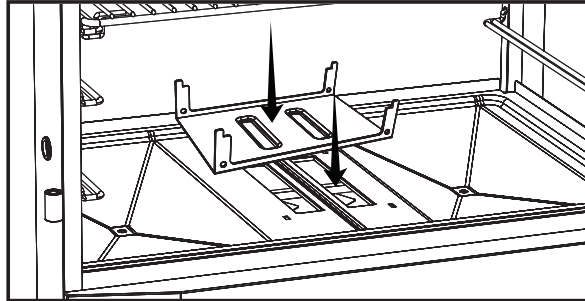
Nota: Si pierde la conexión, el ahumador seguirá programado. El ahumador puede operarse desde el panel de control si el emparejamiento o la conexión fallan.

Guía de inicio rápido

LA BANDEJA DE GRASA Y EL AHUMADOR DEBEN LIMPIARSE ANTES DE CADA COCCIÓN PARA EVITAR FUEGO DE GRASA.

CÓMO ENCENDER (105°C)

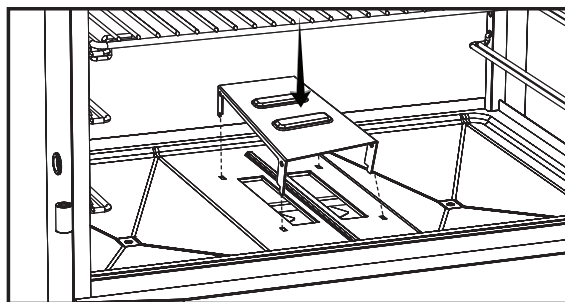
1. Si está cocinando a 105°C, inserte el divisor de carbón en el cesto de carbón y coloque la cubierta del deflector de calor como se muestra.



2. Cargue trozos de madera en el centro del divisor de carbón para añadir un sabor a ahumado
3. Cargue 0.45 kg de carbón vegetal en el cesto para el carbón
4. Cargue 2 arrancadores de fuego en el sujetador del arrancador de fuego en la esquina derecha frontal del cesto para el carbón vegetal
5. Cargue la bandeja de cenizas, el cesto para el carbón vegetal y el divisor en el ahumador
6. Cierre la puerta superior del ahumador
7. Encienda el arrancador de fuego y empuje cuidadosamente la bandeja de cenizas en la cámara inferior del ahumador
8. Deje la puerta inferior abierta por 3 minutos mientras el arrancador de fuego se enciende
9. Luego de 3 minutos, cierre la puerta inferior.
10. Configure su temperatura a 105°C
11. Deje que el ahumador se precaliente a la temperatura configurada.

CÓMO ENCENDER (110°C - 130°C)

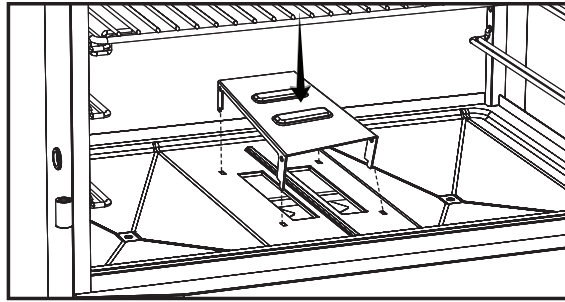
1. Si está cocinando entre 110°C y 130°C, inserte el divisor de carbón en el cesto de carbón y coloque la cubierta del deflector de calor como se muestra.



2. Cargue trozos de madera en el centro del divisor de carbón para añadir un sabor a ahumado
3. Cargue 0.45 kg de carbón vegetal en el cesto para el carbón
4. Cargue 2 arrancadores de fuego en el sujetador del arrancador de fuego en la esquina derecha frontal del cesto para el carbón vegetal
5. Cargue la bandeja de cenizas, el cesto para el carbón vegetal y el divisor en el ahumador
6. Cierre la puerta superior del ahumador
7. Encienda el arrancador de fuego y empuje cuidadosamente la bandeja de cenizas en la cámara inferior del ahumador
8. Deje la puerta inferior abierta por 3 minutos mientras el arrancador de fuego se enciende.
9. Luego de 3 minutos, cierre la puerta inferior.
10. Configure su temperatura de 110°C - 130°C
11. Deje que el ahumador se precaliente a la temperatura configurada.

CÓMO ENCENDER (130°C Y MÁS)

1. Si está cocinando a 130°C y más, no use el divisor de carbón, coloque la cubierta del deflector de calor como se muestra.



2. Cargue 7.25 kg de carbón vegetal en el cesto para el carbón
3. Cargue 2 arrancadores de fuego en el ahumador. Uno en el sujetador del arrancador de fuego, uno en la esquina posterior del cesto
4. Cargue la bandeja de cenizas y el cesto para el carbón vegetal en el ahumador
5. Cierre la puerta superior del ahumador
6. Encienda el arrancador de fuego y empuje cuidadosamente la bandeja en la cámara inferior del ahumador
7. Deje la puerta inferior abierta por 3 minutos mientras el arrancador de fuego se enciende
8. Luego de 3 minutos, cierre la puerta inferior
9. Configure su temperatura a 130°C o más
10. Deje que el ahumador se precaliente a la temperatura configurada.

COSAS QUE HAY QUE SABER

1. El ahumador tiene un rango de temperatura que va de 105°C a 205°C.
2. El ahumador no puede enfriarse más durante la cocción. Si configura la temperatura a 150°C y lo deja precalentarse, no podrá bajar la temperatura a 105°C durante la cocción.
3. Si tiene el divisor de carbón vegetal insertado en el cesto para el carbón vegetal, la unidad no alcanzará una temperatura por encima de los 135°C.
4. Para precalentar más rápidamente, deje que la unidad se precaliente sin el deflector de calor instalado. Una vez que el ahumador alcance la temperatura configurada, inserte la cubierta del deflector de calor en el lugar apropiado.

LIMPIEZA Y ALMACENAMIENTO

SIEMPRE ASEGÚRESE QUE EL AHUMADOR ESTÉ FRÍO AL TACTO ANTES DE LIMPIAR Y ALMACENAR.

- Una vez que la unidad se haya enfriado por completo, retire la bandeja de cenizas del ahumador. Retire todas las cenizas y el carbón vegetal de la bandeja de cenizas.
- Limpie el interior del ahumador.
- Aspire cualquier acumulación de cenizas que haya en la cámara de quemado.
- Frote y limpie sus rejillas de cocción y tazón de agua (ambos pueden lavarse en el lavaplatos).
- Retire su cable de alimentación - no exponga el artefacto a condiciones climáticas (como lluvia o nieve)
- Cubra su ahumador
- Almacene en un lugar frío y seco



MASTERBUILT®

Tenga por seguro que estamos aquí para ayudarle.

Servicio de atención al cliente

masterbuilt.com/contact-us

masterbuilt.com/warranty

masterbuilt.com/collections/parts

@masterbuilt



masterbuilt.com

