

This Owner's Manual is provided and hosted by [Appliance Factory Parts](#).



# Smoke Hollow SH19032819 Owner's Manual

[Shop genuine replacement parts for Smoke Hollow  
SH19032819](#)



[Find Your Smoke Hollow Grill Parts - Select From 115 Models](#)

----- Manual continues below -----



## PT300B

### Propane Tabletop Grill

Manual applies to the following model number(s)

SH19032319, SH19032419, SH19032519, SH19032619,  
SH19030819, SH19032719, SH19032819, SH19032919,  
SH19033019

Your model number

Mfg. Date - Serial Number

*These numbers are located on the rating label of the unit.*

## IMPORTANT

Please record this information immediately and keep in a safe place for future use.

Manual Code: 9803180007 181011-GSB



**THIS IS YOUR ASSEMBLY, CARE & USE MANUAL  
WITH IMPORTANT WARNING & SAFETY INFORMATION.  
PLEASE SAVE THESE INSTRUCTIONS.**

Approximate assembly time: 20 minutes  
Tools needed for assembly: Phillips head screwdriver

---

# FOR OUTDOOR USE ONLY

**THIS INSTRUCTION MANUAL CONTAINS IMPORTANT INFORMATION NECESSARY FOR THE PROPER ASSEMBLY AND SAFE USE OF THE GRILL. READ AND FOLLOW ALL WARNINGS AND INSTRUCTIONS BEFORE ASSEMBLING AND USING THE APPLIANCE. FOLLOW ALL WARNINGS AND INSTRUCTIONS WHEN USING THE APPLIANCE. KEEP THIS MANUAL FOR FUTURE REFERENCE.**

## **⚠ DANGER ⚠**

### **IF YOU SMELL GAS:**

- **SHUT OFF GAS TO THE APPLIANCE**
- **EXTINGUISH ANY OPEN FLAME**
- **OPEN LID**
- **IF ODOR CONTINUES, KEEP AWAY FROM THE APPLIANCE AND IMMEDIATELY CALL YOUR GAS SUPPLIER OR YOUR FIRE DEPARTMENT**

**FAILURE TO FOLLOW THESE WARNINGS AND INSTRUCTIONS COULD RESULT IN FIRE OR EXPLOSION WHICH COULD CAUSE PROPERTY DAMAGE, PERSONAL INJURY OR DEATH.**

## **⚠ DANGER ⚠**

- Never operate this appliance unattended.
- Never operate this appliance within 25ft.(7.5m) of any flammable liquid.
- Never allow oil or grease to get hotter than 400°F (200°C) or if oil begins to smoke, immediately turn the burner or gas supply off.
- If a fire should occur, keep away from the appliance and immediately call your fire department. Do not attempt to extinguish an oil or grease fire with water.

**FAILURE TO FOLLOW THESE WARNINGS AND INSTRUCTIONS COULD RESULT IN FIRE OR EXPLOSION WHICH COULD CAUSE PROPERTY DAMAGE, PERSONAL INJURY OR DEATH.**

## **⚠ IMPORTANT SAFEGUARDS ⚠**

### **⚠ WARNING**

- Do not store or use gasoline or other flammable liquids or vapors in the vicinity of this or any other appliance.
- An LP cylinder not connected for use shall not be stored in the vicinity of this or any other appliance.
- **DO NOT** use gas grill for indoor cooking or heating. Toxic fumes can accumulate and cause asphyxiation.
- Do not store extra cooking oil in the vicinity of this or any other appliance.
- This grill is for use with propane gas only (propane gas cylinder not included).
- Never attempt to attach this grill to a self-contained propane system of a camper trailer, motor home or house.
- Never use charcoal or lighter fluid with the gas grill.
- Do not use gasoline, kerosene or alcohol for lighting. The LP-gas supply cylinder must be constructed and marked in accordance with the specifications for propane gas cylinders of the U.S. Department of Transportation (DOT) CFR 49. This grill is not intended to be used in or installed on recreation vehicles and/or boats.
- Do not attempt to move the grill while it is lit.
- Do not use the grill unless it is completely assembled and all parts are securely fastened and tightened.
- Keep all combustible items and surfaces at least 36 inches (91.4cm) away from grill at all times.

## ⚠ IMPORTANT SAFEGUARDS ⚠

- DO NOT use this grill or any gas product near unprotected combustible constructions.
- Do not attempt to move the grill while it is lit.
- DO NOT store a spare LP gas cylinder under or near this appliance. A fire causing death or serious injury may occur.
- Do not touch metal parts of grill until it has completely cooled (about 45 minutes) to avoid burns, unless you are wearing protective gear (BBQ mittens, pot holders, etc.)
- Do not alter this grill in any manner.
- Never keep a filled gas cylinder in a hot car or car trunk. Heat will cause the gas pressure to increase which may open the relief valve and allow gas to escape.
- Keep the grill's valve compartment, burners and circulating air passages clean. Inspect the grill before each use.
- This grill is for outside use only and should not be used in a building, garage or any other enclosed area.
- The use of alcohol, prescription or non-prescription drugs may impair the operator's ability to properly assemble or safely operate the grill.
- Always open grill lid slowly and carefully as heat and steam trapped within the grill can burn you severely.
- Keep children and pets away from the grill at all times.
- Do not use the grill in high winds.
- Never fold or transport grill while LP cylinder is attached.
- In the event of an oil or grease fire, do not attempt to extinguish with water. Immediately call the fire department. A Type BC or ABC fire extinguisher may, in some circumstances contain the fire.
- This appliance is not intended for commercial use.

### ⚠ DANGER

LIQUID PROPANE (LP) GAS IS FLAMMABLE AND HAZARDOUS IF HANDLED IMPROPERLY. KNOW ITS CHARACTERISTICS BEFORE USING ANY PROPANE PRODUCT.

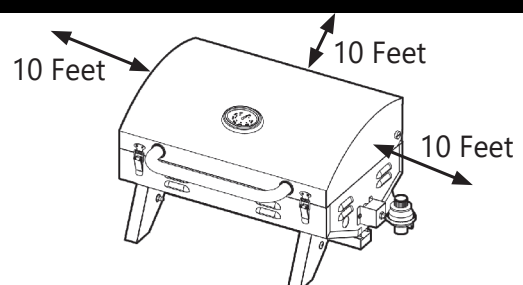
- Propane Characteristics: Flammable, explosive under pressure, heavier than air and settles in pools and low areas.
- In its natural state, propane has no odor. For your safety, an odorant has been added.
- Contact with propane can cause freeze burns to skin.
- This grill is shipped from the factory for propane gas use only.
- Never use a propane cylinder with a damaged body, valve, collar or footing.
- Never refill a 1 lb. cylinder.
- Dented or rusted propane cylinders may be hazardous and should be checked by your propane gas supplier.

THE LP GAS CYLINDER, FOR USE WITH THIS LP GAS GRILL, MUST MEET THE FOLLOWING REQUIREMENTS:

- 1 lb. capacity
- Constructed and marked in accordance with Specifications for LP Gas Cylinders of the U.S. Dept. of Transportation (DOT) or the National Standard of Canada, CAN\CSA-B339, Cylinders, Spheres and Tubes for Transportation of Dangerous Goods; and Commission, as applicable (See collar for marking) Marked "Propane."
- Provided with a cylinder connection device that is compatible with the grill's connection.

## Structural Proximity and Safe Usage Recommendations

**REMINDER:** Maintain a minimum distance of 10 feet from rear, sides and top of smoker to overhead construction, walls, rails or other combustible construction. This clearance provides adequate space for proper combustion, air circulation and venting.





## ***Congratulations***

on your purchase of your new  
Smoke Hollow<sup>®</sup> Propane Tabletop Grill.

With proper set-up, operation and maintenance, this appliance will provide you with years of delicious food and cooking enjoyment.

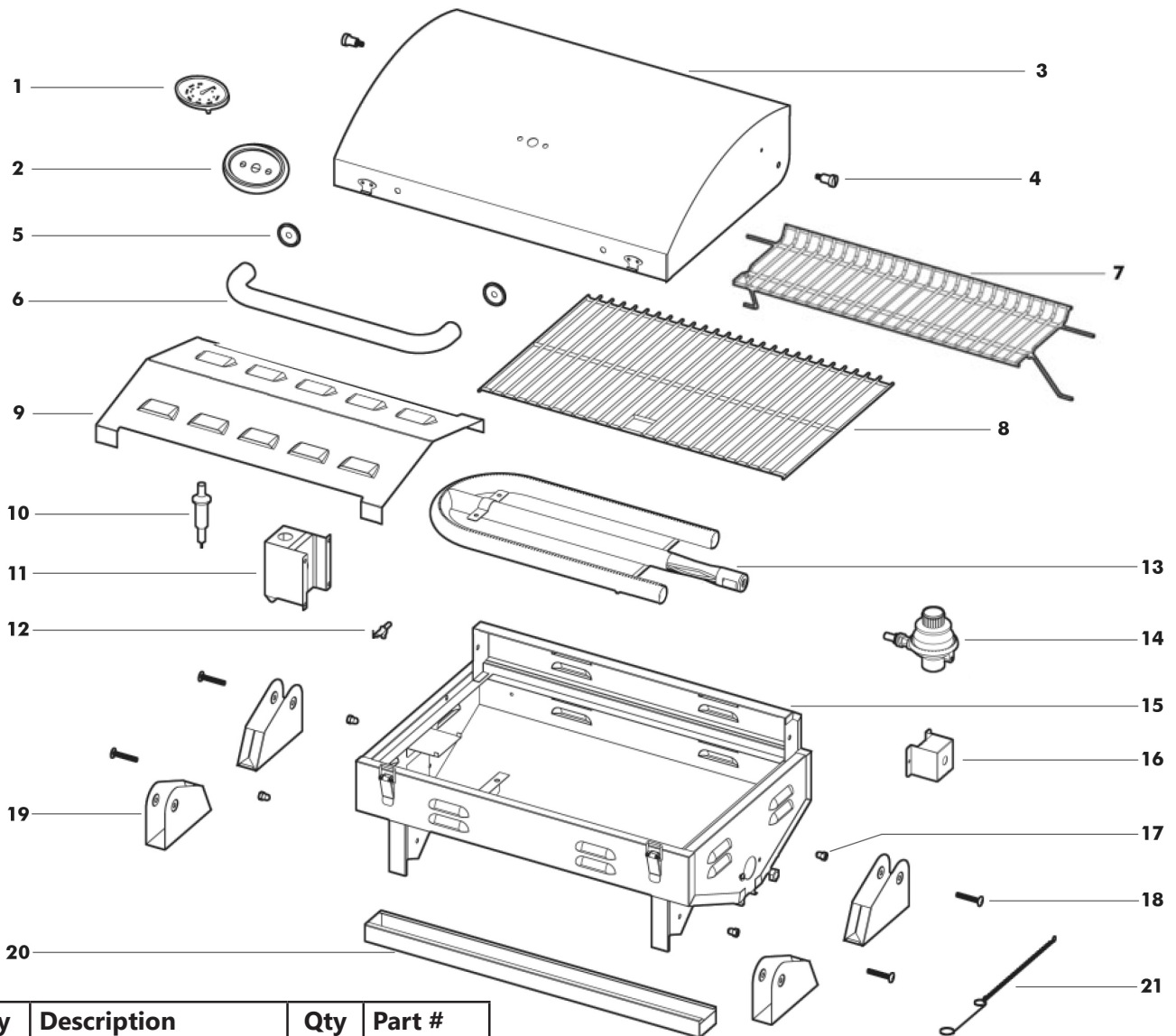
### **IMPORTANT**

When you un-pack your grill, remove all parts and packaging material from the box and inside the grill. Make sure you have all the items on the parts list. Carefully check the unit and make sure there is no damage.

IF YOU HAVE ANY PROBLEMS WITH THIS PRODUCT OR THERE ARE MISSING OR DAMAGED PARTS , PLEASE CALL CUSTOMER SERVICE TOLL FREE 1-866-475-5180.

NOTE : DO NOT RETURN UNIT TO THE STORE BEFORE CALLING THE TOLL FREE NUMBER. Do not dispose of your cartons until you are completely satisfied with your new Smoke Hollow<sup>®</sup> grill.

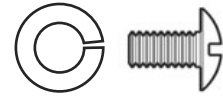
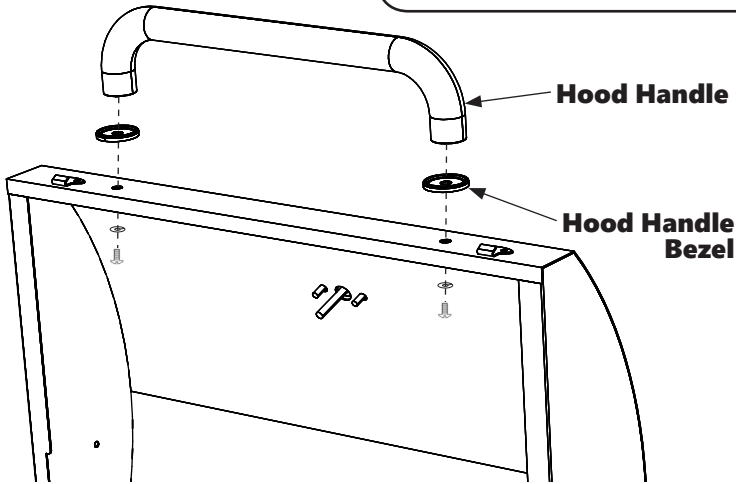
# Parts and Tool List



Key	Description	Qty	Part #
1	Temperature Gauge	1	205-1
2	Temperature Gauge Bezel	1	205-2
3	Hood	1	205-3
4	Hood Pivot Pin	2	205-4
5	Hood Handle Bezel	2	205-5
6	Hood Handle	1	205-6
7	Warming Rack	1	205-7
8	Cooking Grate	1	205-8
9	Heat Tent	1	SST18L-6
10	Piezo Igniter	1	205-10
11	Igniter Housing	1	SST18L-1
12	Electrode (wire not shown)	1	SST18L-2
13	Burner	1	SST18L-3
14	Regulator/Valve	1	SST18L-4
15	Grill Firebowl	1	205-15
16	Regulator Housing	1	SST18L-5
17	Leg Nut	4	205-17
18	Leg Bolt	4	205-18
19	Leg	4	205-19
20	Drip Tray	1	205-20
21	Match Holder	1	205-21
	Hardware Pack	1	205-HDWR

# Grill Assembly

## 1. Hood Handle Assembly

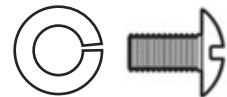
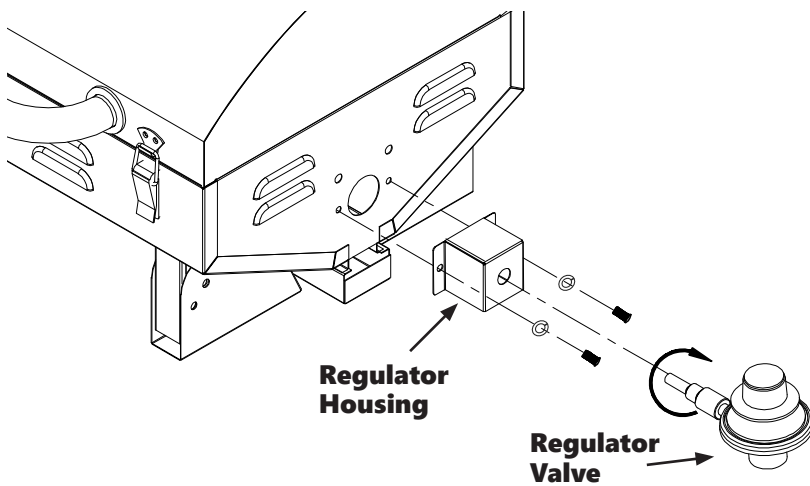


1/4-20 x .50" Bolt set (2pcs.)

### Instructions:

Place a handle bezel between each end of the handle and the grill hood then insert a 1/4-20 x .50" bolt with washer through the inside of the hood into each end of the handle. Tighten the bolts.

## 2. Regulator-Valve Housing Assembly

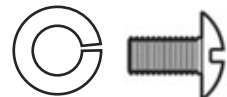
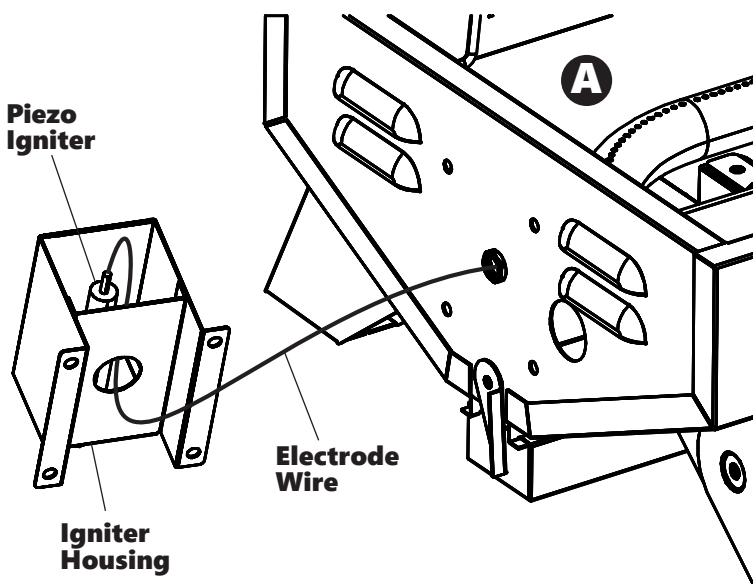


5/32 x .31" Bolt set (2pcs.)

### Instructions:

Align the holes in the regulator housing with the threaded holes in the grill firebox and insert two 5/32 x .31" bolts with washers through the holes in the housing into the threaded holes in the firebox. Tighten the bolts securely. Screw regulator valve into threaded hole of the regulator housing until tight.

## 3. Igniter Housing Assembly



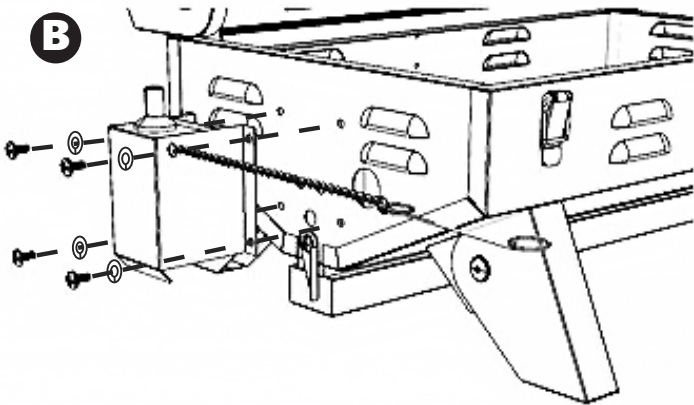
5/32 x .31" Bolt set (4pcs.)

### Instructions:

**A.** Thread the electrode wire through the hole in the igniter housing and attach the end onto the pin at the bottom end of the piezo igniter.

-Continue assembly on next page.

# Grill Assembly



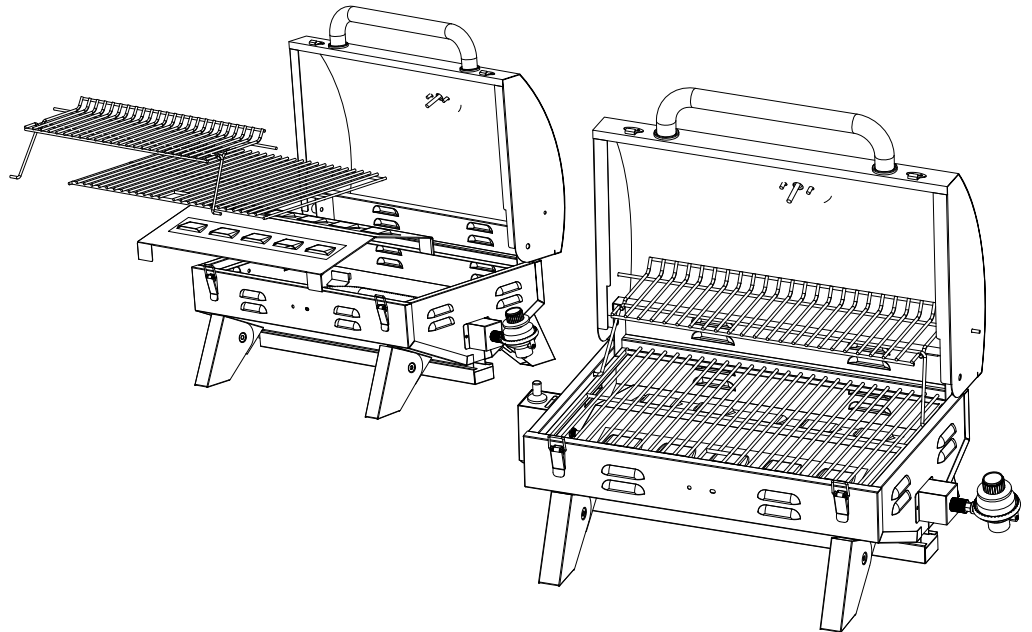
## Instructions:

**B.** Align the holes in the igniter housing with the threaded holes in the firebowl end. Insert four 5/32 x .31" bolts with washers through the housing into the threaded holes. When installing the fourth bolt, first insert it through the ring at the end of the match holder chain and then through the housing and into the firebowl end. Tighten the bolts securely.

## 4. Heat Tent, Cooking Grate and Warming Rack Assembly

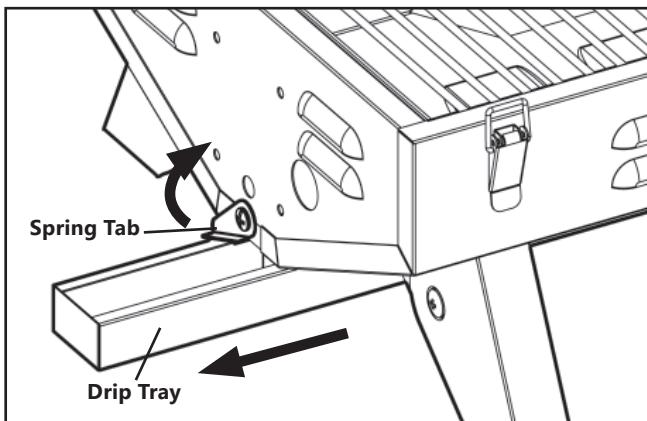
### Instructions:

Install heat tent into grill. The ears on the heat tent should sit outside of the tabs located in the grill. Place the cooking grate onto the grill. Finally, attach the warming rack by inserting the two prongs on the backside of rack through the holes in the lid. Then insert the front leg prongs into the holes located along the side edges of the grill just above the cooking grate.



**ASSEMBLY OF YOUR GRILL IS NOW COMPLETE.**

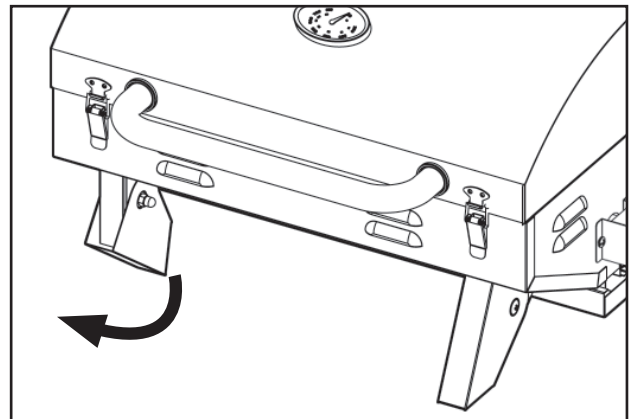
**FOR YOUR SAFETY, FOLLOW ALL SAFE GUARDS AND INSTRUCTIONS.**



### Drip Tray Access:

The drip tray is accessed for cleaning by rotating the spring tab and sliding the tray out from under the grill.

NOTE: Shown here without igniter housing for clarity.



### Tabletop Use:

Unfold the legs as shown and place grill on a level surface. When legs are unfolded completely they will snap into the open position. Dimples in the legs help them remain in position. To close, simply apply enough pressure to overcome the friction fit.

# Before Using Your Propane Grill

## Installation Codes

### ⚠ WARNING ⚠

To reduce the risk of serious bodily injury or death from fire or explosion:

- This installation must conform with local codes, or in the absence of local codes, with either the National Fuel Gas Code, ANSI Z223.1/NFPA 54 Natural Gas and Propane Installation Code, CSA B149.1, or Propane Storage and Handling Code, B149.2.
- If an external electrical source is utilized, the outdoor cooking appliance when installed, must be electrically grounded in accordance with local codes or, in the absence of local codes, with the National Electrical Codes, ANSI/NFPA 70, or the Canadian Electrical Code CSA C22.1.
- Keep the fuel supply hose away from any heated surface(s).

## Selecting a Location

### ⚠ WARNING ⚠

To reduce the risk of serious bodily injury or death from fire or explosion:

- Use this outdoor cooking appliance only outdoors and never in a building, garage, breezeway, carport, porch or in any enclosed area. Locate outdoor cooking appliance in an area with good ventilation, on a level stable surface and clear of combustible and flammable material.
- Locate your propane grill at least 10 feet away from your house or any building.
- Maintain minimum clearances of 10 feet from back and sides of grill to any combustible construction.
- Do not locate this appliance under overhead, unprotected combustible construction.
- This outdoor cooking appliance is not intended to be used in/on boats or installed in/on recreational vehicles.
- Never use gas grill as a space heater.

## Performing a Leak Test

### ⚠ WARNING ⚠

- Perform a leak test before lighting your grill for the first time.
- Perform a leak test if any gas component is changed.
- Perform a leak test after travel, especially over rough or bumpy roads.
- Perform a leak test a minimum of once a season.
- Perform a leak test after a prolonged period of storage or non-use.
- Perform leak tests in a well ventilated area.
- Never use an open flame to test for gas leaks.
- Never smoke near the grill during a leak test.
- Do not perform a leak test on a grill while it is hot or in use.
- Do not use the gas grill if you detect a gas leak that cannot be corrected by using the leak test procedures.

# Before Using Your Propane Grill

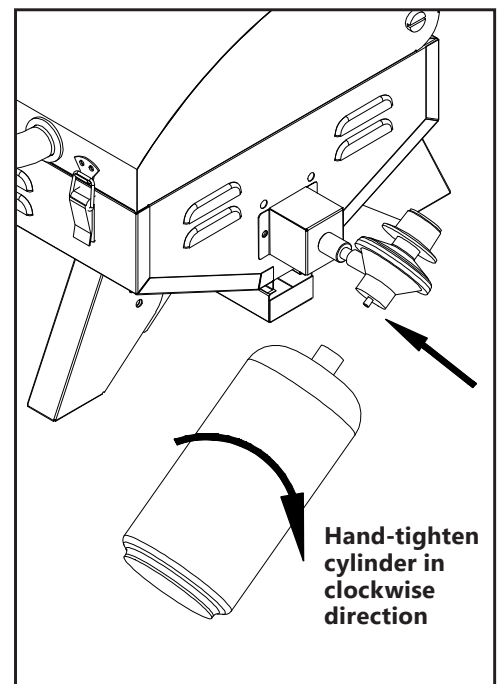
## Installation Safety Precautions

- Use only 1 lb. (16.4 oz) disposable cylinder (DOT39 Cylinder) that is 7-3/8 in. high (not included).
- Only cylinders marked "propane" must be used. The cylinder must be disconnected when the appliance is not in use.
- The pressure regulator supplied with the appliance must be used.
- Replacement pressure regulators must be those specified by the manufacturer.
- Cylinder supply system must be arranged for vapor withdrawal.
- Do not store a spare LP-gas cylinder under or near this appliance.
- If the instructions are not followed exactly, a fire causing death or serious injury may occur.

## Connecting LP Gas Cylinder

1. Purchase 1lb. LP gas cylinder at your local retailer.
2. Turn the regulator knob to the "Off" position.
3. Remove protective cap from regulator opening. Remove plastic cap from top of propane cylinder. Save cylinder cap for replacement on cylinder if gas remains in cylinder after use.
4. Insert the 1lb. LP gas cylinder into the threaded hole in the underside of the regulator. Turn the cylinder clockwise until firmly seated. Hand tighten only.
5. For optimum performance, allow cylinder to hang vertically off the edge of the table when there is no danger of being bumped or disturbed.

**NOTE: NEVER FOLD UP OR TRANSPORT GRILL WITH CYLINDER ATTACHED.**



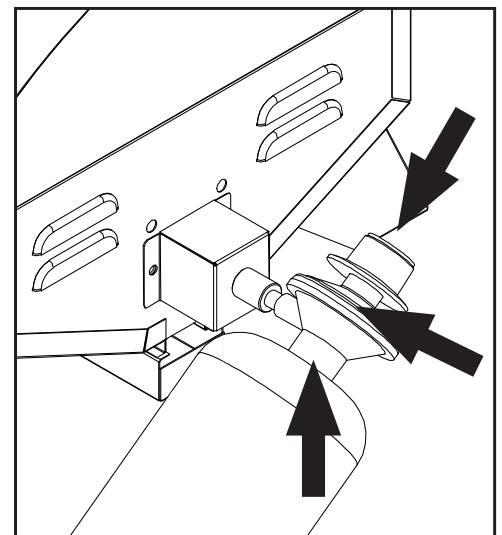
## Disconnecting LP Gas Cylinder

1. Turn regulator knob to the "Off" position.
2. Remove the cylinder by turning counterclockwise.
3. Replace the protective cap over the regulator opening. Replace the plastic cap on the top of propane cylinder for storage if not empty.
4. Store cylinder outdoors and away from grill.

## How to Perform a Leak Test - "FIRST TIME USE"

### SUPPLIES NEEDED:

- Clean paint brush, water, dish washing liquid and an empty bowl or can
1. Make sure the regulator knob is turned to the "Off" position and verify that the LP gas cylinder is tightened securely to the regulator.
  2. Mix one part of water with one part of dish washing liquid.
  3. Brush mix on regulator, propane cylinder and connection as indicated by the heavy arrows in the figure below. If bubbling occurs, there is a gas leak.
  4. If leak appears at the regulator/cylinder connection, repeat cylinder installation procedure, but do not overtighten. (NOTE: Only hand tighten) Repeat leak test.
    - A. If the leak is coming from the gas cylinder or if the leak cannot be stopped, remove the cylinder and DO NOT USE THE GRILL. Call Customer Service at 1-866-475-5180. Be sure to have the grill model number and serial number printed on the label, located on the inside of the rear leg. If you need a replacement part that is under warranty, a proof of purchase will be necessary.



# Lighting the Grill

## ⚠ WARNING ⚠

To reduce the risk of serious bodily injury or death from fire or explosion:

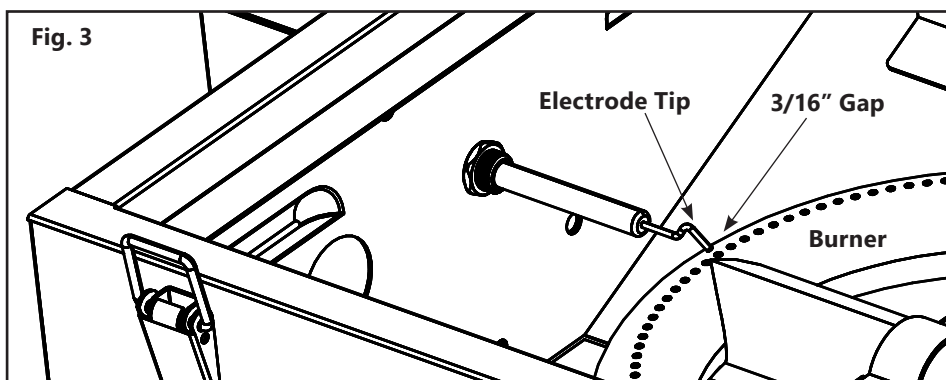
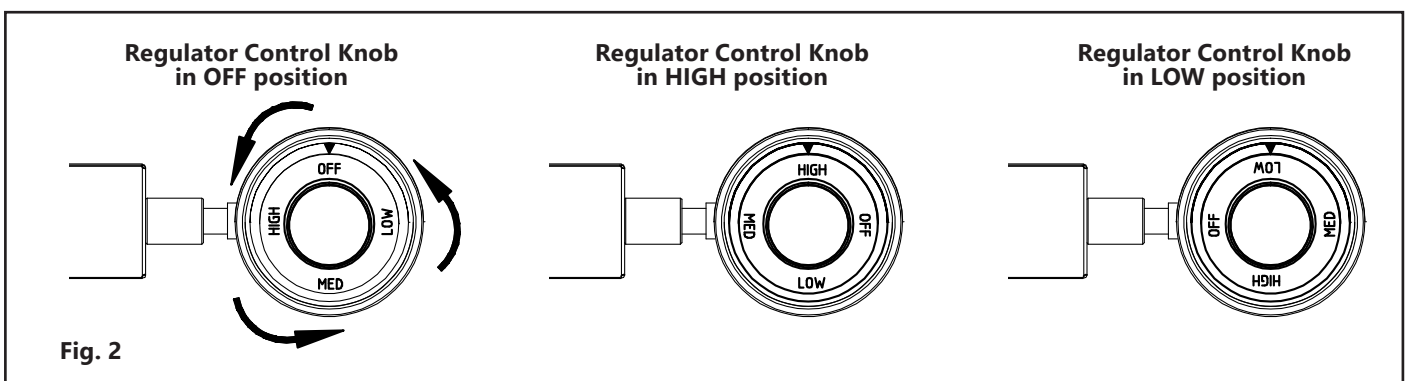
- Open hood before lighting the grill to release trapped gas.
- During failed lighting attempts, or if the burner goes out during operation, turn control knob "OFF" to dissipate any accumulated gas. Wait five minutes before repeating lighting procedure.

1. Open the hood.
2. Push the regulator knob in and turn 270 degrees (or 3/4 turn) counterclockwise to the "HIGH" position (Fig. 2). Note the triangular indicator mark on the silver regulator housing.
3. Push the igniter button in repeatedly until the burner is lit. Listen for the click indicating spark ignition and look to make sure the burner is lit.

If the burner goes out during operation, turn regulator knob to the "OFF" position. Open hood and wait five minutes before attempting to relight the grill to allow any accumulated gas to dissipate.

If burner fails to light after three to four attempts, turn regulator knob to the "OFF" position and allow any accumulated gas to dissipate. Check for igniter spark by pushing igniter button and looking at the igniter tip. If no spark, adjust gap between electrode tip and burner to 3/16" (Fig. 3). If still no spark, see "**Troubleshooting Section.**"

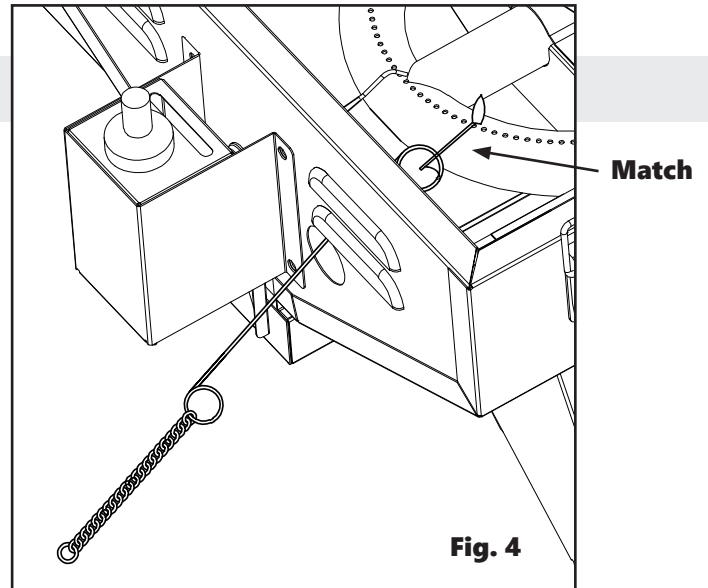
Wait five minutes, then repeat the lighting procedures. The burner can also be lit manually, see "**Manually Lighting the Grill**" on next page. Should you notice that your burner is getting hard to light or the flame is not as hot as it once was, refer to the "**How to Clean the Burner**" to remove any possible obstructions.



## Manually Lighting the Grill

1. Open the hood. **IMPORTANT:** Make sure regulator knob is turned "OFF".
2. While holding a lit match near the burner (Fig. 4), push the regulator knob in and turn 270 degrees (or 3/4 turn) counterclockwise to the "HIGH" position.

If the burner goes out during operation, turn regulator knob to the "OFF" position. Open hood and wait five minutes before attempting to relight the grill to allow any accumulated gas to dissipate.



## Check the Flame

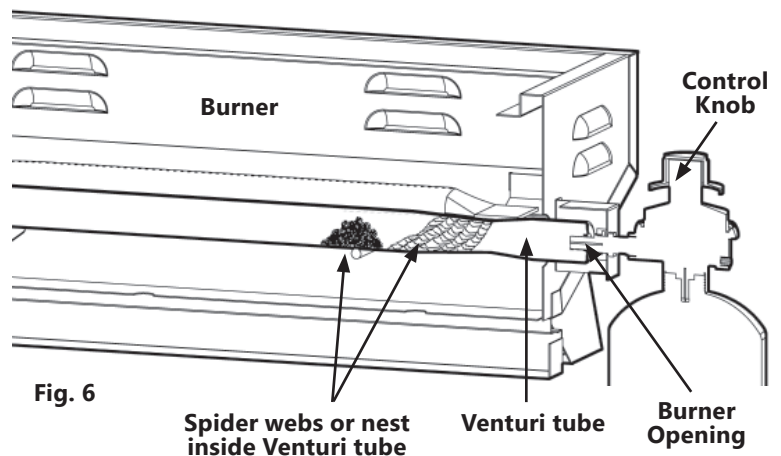
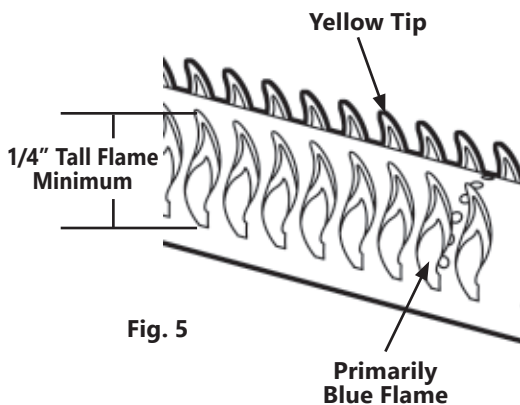
### ⚠ WARNING ⚠

To reduce the risk of death or serious injury from an explosion or a fire:

- Regularly inspect and clean burner/Venturi tube for insects or insect nests, especially after periods of storage. Spiders or small insects can build nests, webs, and lay eggs in the grill's Venturi tube, obstructing the flow of gas to the burner. (Fig. 6) The backed-up gas can ignite and cause a fire. This is known as a "flashback".
- Be sure burner is re-installed properly before using grill.

The burner has been preset by the manufacturer for optimal flame performance. A blue flame, possibly with a small yellow tip, is the result of the optimal air and gas mixture. (Fig. 5)

Check the flame before each cooking session and throughout the grilling season. Check the flame, especially after long periods of storing the grill. Note that the minimum flame height should be 1/4". If the flame is significantly yellow in color, the appropriate amount of LP gas in the air/LP gas mixture is not correct. This could be due to a blocked burner from grease drippings or from insects building a nest inside the burner or burner opening. Should you notice that your burner is getting hard to light or the flame is not as hot as it once was, refer to the "**How to Clean the Burner**" section to remove possible obstructions.



# Cooking On the Propane Grill

## ⚠ WARNING ⚠

To reduce the risk of serious bodily injury or death from fire, explosion or burn hazard:

- Never use charcoal or lighter fluid in your gas grill. Keep this outdoor cooking appliance clear and free from combustible materials, gasoline, and other flammable vapors and liquids.
- Keep any electrical supply cord and regulator hose away from any heated surfaces.
- Make sure there are no gas leaks or obstructions to the flow of combustion and ventilation air before each use.
- Always open the hood before lighting the propane grill.
- Do not attempt to extinguish a grease fire with water or other liquids. Have a BC or ABC fire extinguisher readily accessible. Never douse or spray the grill or cooking surfaces with water when hot. Burns from grease or water splatters could occur.
- If your propane grill catches on fire:
  - If the fire is in the grill portion and you can safely reach the regulator knob, then turn it to the "OFF" position.
  - If the fire involves the LP gas cylinder, leave it alone, evacuate the area, and call the fire department.
  - If there is any type of fire that threatens either personal safety or endangers property, call the fire department.
- Do not use the grill without drip tray in place. Check the drip tray for build-up. Empty excess grease before each use to reduce the risk of a grease fire in the drip tray.
- Do not place containers of oil or grease on or near the grill.
- Do not operate a propane grill if you have knowledge of or suspect a gas leak.
- Do not leave grill unattended.
- Do not wear loose clothing (hanging shirt tails, clothing with frills, etc.) around a propane grill while in use or hot.
- Do not lean your body over the propane grill when lighting it or while it is in use or hot.
- Do not touch hot surfaces. Use heat-resistant gloves, long-handled tongs, or cooking mitts at all times since the grill will become very hot. Open the hood carefully when cooking to avoid burns from the hot air and steam trapped inside.
- Do not allow children to operate or play near a propane grill. Keep children, animals and bystanders out of the grill area.
- Do not move a propane grill when in use or hot.
- When grill is not in use, turn off grill regulator knob, and disconnect the LP gas cylinder.
- Do not cover more than half (50%) of the cooking area if using griddle plates. Full coverage of cooking area will cause overheating below the plates.
- Do not leave any utensils or cookware on a hot cooking surface.

To reduce risk of burn injury from flame roll out or hot air/steam trapped inside grill, open hood carefully.

## Grill Cooking (Direct cooking on the grate)

Food is cooked directly over the heat source. The burner heats up the heat tent under the cooking grate, which in turn cooks the food on the grill. The natural food juices from cooking fall onto the hot heat tent below and vaporize. Rising smoke permeates the food giving it that unique barbecued flavor.

Use the direct cooking method for foods that take less than 25 minutes to cook: steaks, chops, kabobs, sausages, and more. These foods should be turned once halfway through the grilling time.

To sear meat, place over direct high heat for 2 to 5 minutes per side. Smaller pieces require less searing time. Hamburgers, steaks, chops, chicken breasts, and larger cuts of meat all benefit from searing. Usually after searing you finish cooking the food at a lower temperature.

For direct cooking, preheat the grill for 10 minutes with the burner on "HIGH". Place food on the cooking grate and then adjust the burner to the temperature required. Close the hood and lift it only to turn food or to test for doneness at the end of the recommended cooking time.

## Controlling Flare-Ups:

Flare-ups are part of cooking meat on a grill. This adds to the unique flavor of barbecued food. However, excessive flare-ups can overcook your food and create a dangerous situation for you and your grill. Excessive flare-ups may result from large amounts of fat on the food being cooked or the build up of grease in the grill. If excessive flare-ups occur, DO NOT pour water on the flames. This can cause grease to splatter and could result in serious burns or bodily harm. If a grease fire occurs, turn off the burner until the grease burns out. To prevent or minimize flare-ups, trim all excess fat or skin from meat before grilling and keep the grill and drip tray clean of excess grease.

## After Cooking

### ⚠ WARNING ⚠

To reduce the risk of death or serious injury from fire or burn hazard:

- Allow grill and grease in the drip tray to completely cool before emptying, cleaning, moving, or storing grill.
- Empty the drip tray after cooking so grease does not accumulate.

1. After cooking, close the hood and turn the burner to the "HIGH" position and burn for five minutes. This will burn off some cooking residue, thus making cleaning easier.
2. When you have finished using your grill, turn the regulator knob clockwise to the "OFF" position.
3. Remove the propane cylinder and replace the protective cap over the regulator opening. Replace the plastic cap on the top of propane cylinder for storage if not empty.
4. Store cylinder outdoors and away from grill.
5. Wait until the grill is cool to the touch before closing the hood, cleaning, storing or transporting.
6. Clean your propane grill between uses and after extended storage periods. To maintain the condition and extend the life of your grill, the unit should be covered when stored.

## Storage and Transportation

### ⚠ WARNING ⚠

Do not put grill in storage or travel mode immediately after use. Allow grill to cool to touch before moving or storing. Failure to do so could result in fire resulting in property damage, personal injury or death.

1. Disconnect LP gas cylinder from grill and store outside, in a dry, well-ventilated area, away from any sources of heat or ignition. Re-cap LP gas cylinder valve with the safety cap.
2. Cover the regulator opening with the plastic cap supplied with the grill.
3. Before storing grill or before an extended period of non-use, remove burner and wrap with aluminum foil to reduce the risk of insects entering the burner holes. Cooking grate and heat tent may be wrapped in foil as well.
4. Store grill indoors only if the LP gas cylinder is disconnected from the gas grill.
5. Before next use remove aluminum foil and reinstall burner, heat tent, and cooking grate.
6. Before using the grill after periods of storage or non-use (i.e. over winter), check your propane grill for gas leaks, deterioration, proper assembly, and burner obstructions.
7. Periodically check and tighten all nuts, bolts, and screws on grill.

# Care and Maintenance

It is recommended that:

- Inspection and service on this appliance be conducted annually by a qualified service person.
- You regularly check that the outdoor cooking appliance area is clear and free from combustible material, gasoline and other flammable vapors and liquids.
- You regularly check that the flow of combustion and ventilation air is not obstructed.
- You regularly check that the ventilation openings of the cylinder enclosure (cabinet) are free and clear from debris.
- You regularly check and clean the burner/Venturi tubes for insects and insect nests. A clogged tube can lead to a fire beneath the grill.

**⚠ CAUTION:** Some parts may contain sharp edges. Wear protective gloves if necessary.

## Cleaning the Grill

### Drip Tray:

Remove the drip tray under the grill bowl after the grill has cooled completely. Scrape away food and fat residue from the drip tray. Empty and wash the drip tray with hot soapy water and a cloth.

### Grill Body:

Remove excess grease and/or fat with a soft plastic or wooden scraper. Do not use steel wool or other abrasive cleaners that can scratch painted, porcelain-coated or stainless steel surfaces. It is not necessary to remove all the grease from the body. When grill is cool, wipe it down with paper towels or soft damp cloth. On painted grills, if rust appears, clean and buff the affected area with steel wool. Touch up bare metal with a high heat paint specified for barbecue grills. Follow paint manufacturer's instructions for use.

### Cooking Grid/Heat Tent:

Clean the residue off with a baking soda and water solution. For stubborn stains, use a non-abrasive scouring powder. Do not use steel wool or other abrasive cleaners that can scratch the plated, porcelain-coated or stainless steel surfaces. This can cause foods to stick on the cooking grates.

### All Other Cleaning:

For further cleaning, use hot soapy water and a cloth, or nylon-bristled brush only. Do not immerse the gas controls in water. (Avoid getting water in the burner holes).

### Burner:

Burning off the residue after cooking will keep the burner clean with normal usage, provided the burner is operating correctly. Clean the burner annually, or whenever heavy build-up is found, to ensure that there are no signs of blockage (debris, insects) in the burner portholes, the primary air inlet, or the neck of the burner. See **How to Clean the Burner**.

### How to Clean the Burner

1. Make sure the regulator knob is turned "OFF", the grill is completely cooled and the LP gas cylinder is removed.
2. Carefully remove cooking grate and heat tent.
3. To remove the burner, first remove the bolts that fasten the burner to its support bracket.
4. Slide tube burner to the left so that the end of the burner is off of the valve nozzle and inside the firebowl. Lift the Venturi end of the burner up first then slide the burner out from under the electrode.
5. Use a pipe cleaner to clear inset nests of debris from the inlet hole of main burner.
6. Open up the burner holes with a small nail or wire. Use a non-metallic brush to remove food particles and corrosion from the burner surfaces.
7. Check the electrode to see if it is loose. If so, tighten the screw holding the electrode to maintain 3/16" gap between electrode tip and burner. **NOTE:** Before next step, you may wish to clean the rest of the grill. See "**Cleaning the Grill**" section.
8. After cleaning, refit the burner. If the grill is to be stored, the burners may be wrapped in a protective cover such as aluminum foil or plastic wrap to help keep insects out. **NOTE:** When refitting the burner, be sure the burner is positioned correctly. The valve nozzle should protrude inside the Venturi end of the burner. Replace the bolts that fasten the burner flange to the burner bracket.
9. Perform a leak test and check burner operation after re-assembly.
10. Replace heat tent and cooking grate.

# Troubleshooting

Problem	Possible Cause	Solution
Gas leaking from LP gas cylinder	Mechanical failure due to rust or mishandling	Replace LP gas cylinder
Gas leaking between LP gas cylinder and regulator connection	Improper installation, connection not tight, failure of seal on LP gas cylinder	Remove LP gas cylinder. Re-install correctly and tighten. Replace cylinder if damaged. See " <b>Leak Test</b> " and " <b>Connecting Regulator to LP Gas Cylinder</b> " sections.
Grease fire or excessive flames above cooking surface	Too much grease build-up in burner section	Turn off regulator knob and remove LP gas cylinder. Once fire is out and grill has cooled off, clean residual food particles and excess grease from inside firebox area, grease cup, and other surfaces.
Flashback (Fire in or around Venturi tubes)	Clogged or blocked Venturi tube	If you can safely reach the regulator knob, turn it to the "OFF" position, then remove the LP gas cylinder. Once grill has cooled, clean burner and Venturi tubes. See " <b>How to Clean the Burner</b> " section.
Burner will not light using the ignitor	Burner not assembled correctly	See re-assembly after cleaning in " <b>Care and Maintenance</b> ".
	Have not pressed igniter button hard enough to generate spark	Push regulator knob in and turn counterclockwise to the "HIGH" position. Depress the igniter button until a loud click is heard. Repeat until the burner lights.
	No spark- electrode out of place, loose wire, or broken electrode	<ol style="list-style-type: none"> <li>1. Electrode tip is bent (making too large or small of a gap between the electrode and burner). Bend electrode tip back to 3/16" gap to burner. (Pg. 10)</li> <li>2. Tighten electrode mounting screws.</li> <li>3. Replace igniter wire/electrode assembly. (Call Customer Service Department)</li> </ol>
	LP gas cylinder is empty	Purchase new 1 lb. LP gas cylinder.
	LP cylinder is not fully attached to regulator	Tighten cylinder by hand. Do not use tools.
	Obstructions in burner	See " <b>How to Clean the Burner</b> " in " <b>Care and Maintenance.</b> "
	Wet electrode and burner	Allow electrode to air dry or dry with clean cloth or blow dryer.
	Wire loose or disconnected	Reconnect the wire.
	Wire shorting (sparking between igniter and electrode)	Replace igniter wire/electrode assembly. (Call Customer Service Department)
Burner will not light using a match	Burner not assembled correctly	See re-assembly after cleaning in <b>Care and Maintenance.</b>
	LP gas cylinder is empty	Purchase new 1 lb. LP gas cylinder.
	LP cylinder is not fully attached to regulator	Tighten cylinder by hand. Do not use tools.
	Obstructions in burner	See " <b>How to Clean the Burner</b> " in " <b>Care and Maintenance.</b> "
Low flame or low heat	Gas in LP cylinder is low	Purchase new 1 lb. LP gas cylinder.
Flames blow out	High or gusting winds	Turn front of grill away from wind or increase flame height.
	Gas in LP cylinder is low	Purchase new 1 lb. LP gas cylinder.
Flare up	Grease build-up	Clean grill.
	Excessive fat in meat	Trim fat from meat before grilling.
Persistent grease fire	Grease trapped around burner system	Turn regulator knob "OFF" then remove the LP gas cylinder. Open hood carefully and let fire burn out. After the grill cools, remove and clean all parts.

**If your problem is not resolved from the information provided above, please call Customer Service at 1-866-475-5180. If you need a replacement part that is under warranty, proof of purchase will be required.**

# Smoke Hollow® 1-Year Limited Warranty

Smoke Hollow® warrants its products to be free from defects in material and workmanship under proper assembly, normal use and recommended care for 1 year from the date of original retail purchase. The Smoke Hollow® warranty does not cover paint finish as it may burn off during normal use. The Smoke Hollow® warranty does not cover rust. Smoke Hollow® requires proof of purchase for warranty claim, such as a receipt. Upon the expiration of such warranty, all such liability shall terminate.

Within the stated warranty period, Smoke Hollow®, at its discretion, shall replace defective components free of charge, with the owner being responsible for shipping. Should Smoke Hollow® require return of component(s) in question for inspection, Smoke Hollow® will be responsible for shipping charges to return requested item. This warranty excludes property damage sustained due to misuse, abuse, accident, or damage arising out of transportation.

This express warranty is the sole warranty given by Smoke Hollow® and is in lieu of all other warranties, expressed or implied including implied warranty, merchantability, or fitness for a particular purpose. Neither Smoke Hollow® nor the retail establishment selling this product has authority to make any warranties or to promise any remedies in addition to or inconsistent with those stated above. Smoke Hollow®'s maximum liability, in any event, shall not exceed the purchase price of the product paid by the original consumer/ purchaser. Some states do not allow the exclusion or limitation of incidental or consequential damages. In such a case, the above limitations or exclusions may not be applicable.

California residents only: Notwithstanding this limitation of warranty, the following specific restrictions apply; if service, repair, or replacement of the product is not commercially practical, the retailer selling the product or Smoke Hollow® will refund the purchase price paid for the product, less the amount directly attributable to use by the original buyer prior to the discovery of the nonconformity. Owner may take the product to the retail establishment selling this product in order to obtain performance under warranty. This express warranty gives you specific legal rights, and you may also have other rights which vary from state to state.

Visit [smoke-hollow.com](http://smoke-hollow.com) or complete form below and return to:

Attn: Warranty Registration

Smoke Hollow®

5032 Milgen Court | Columbus, GA 31907

Name: \_\_\_\_\_ Address: \_\_\_\_\_

City: \_\_\_\_\_

State/Province: \_\_\_\_\_ Postal Code: \_\_\_\_\_ Phone Number: \_\_\_\_\_

E-mail Address: \_\_\_\_\_

\*Model Number: \_\_\_\_\_ \*Serial Number: \_\_\_\_\_

Purchase Date: \_\_\_\_\_ - \_\_\_\_\_ - \_\_\_\_\_ Place of Purchase: \_\_\_\_\_

**\*Model Number and Serial Number are located on silver label on grill leg.**



## PT300B

### Gril de table au propane

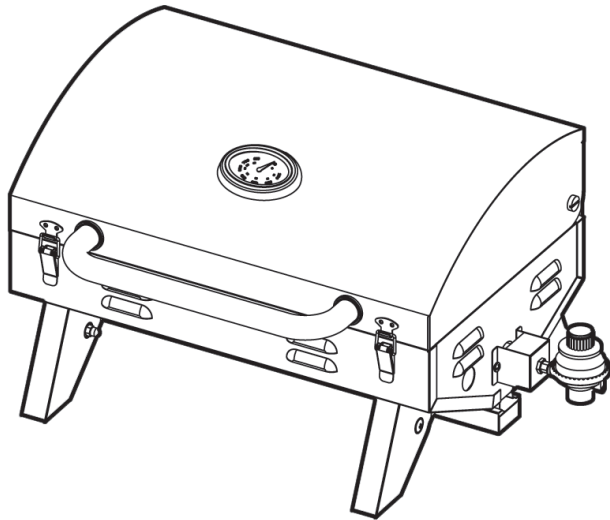
Ce manuel s'applique aux numéros de modèle suivants

SH19032319, SH19032419, SH19032519, SH19032619,  
SH19030819, SH19032719, SH19032819, SH19032919,  
SH19033019

Votre numéro de modèle

Date de fabrication – Numéro de série

Ces numéros se trouvent sur l'étiquette argentée située sur l'appareil.



## IMPORTANT

Veuillez écrire ces renseignements immédiatement et les garder en lieu sûr pour référence future.



**CECI EST VOTRE MANUEL D'ASSEMBLAGE, D'ENTRETIEN ET D'UTILISATION CONTENANT DES AVERTISSEMENTS ET DES CONSIGNES DE SÉCURITÉ IMPORTANTS.**

**VEUILLEZ CONSERVER CES INSTRUCTIONS.**

Temps nécessaire pour l'assemblage : environ 20 minutes  
Outils nécessaires pour l'assemblage : tournevis cruciforme

**POUR UNE UTILISATION EN  
EXTÉRIEUR UNIQUEMENT**

[WWW.SMOKE-HOLLOW.COM](http://WWW.SMOKE-HOLLOW.COM)

CE MANUEL CONTIENT DES INFORMATIONS IMPORTANTES QUI SONT NÉCESSAIRES POUR UN ASSEMBLAGE ET UNE UTILISATION SÛRS ET APPROPRIÉS DU GRIL. LISEZ ET SUIVEZ LA TOTALITÉ DES AVERTISSEMENTS ET DES INSTRUCTIONS FOURNIS AVANT D'ASSEMBLER ET D'UTILISER L'APPAREIL. SUIVEZ LA TOTALITÉ DES AVERTISSEMENTS ET DES INSTRUCTIONS LORS DE L'UTILISATION DE L'APPAREIL. CONSERVEZ CE MANUEL POUR RÉFÉRENCE ULTÉRIEURE.

## **⚠ DANGER ⚠**

SI VOUS DÉTECTEZ UNE ODEUR DE GAZ :

- COUPEZ L'ALIMENTATION EN GAZ DE L'APPAREIL
- ÉTEIGNEZ TOUTE FLAMME NUE
- OUVREZ LE COUVERCLE
- SI L'ODEUR PERSISTE, ÉLOIGNEZ-VOUS DE L'APPAREIL ET APPELEZ IMMÉDIATEMENT LE FOURNISSEUR DE GAZ OU LE SERVICE D'INCENDIE

**LE NON-RESPECT DE CES AVERTISSEMENTS ET DE CES INSTRUCTIONS POURRAIT ENTRAÎNER UN INCENDIE OU UNE EXPLOSION POUVANT CAUSER DES DOMMAGES MATÉRIELS, DES BLESSURES OU LA MORT.**

## **⚠ DANGER ⚠**

- Ne laissez jamais l'appareil fonctionner sans surveillance.
- Ne faites jamais fonctionner cet appareil si des liquides inflammables se trouvent dans un rayon de 7,5 m (25 pi).
- Si la température de l'huile dépasse 200 °C (400 °F) ou si l'huile commence à fumer, éteignez immédiatement le brûleur et l'alimentation en gaz.
- En cas d'incendie, éloignez-vous de l'appareil et appelez immédiatement le service d'incendie. Ne tentez pas d'éteindre un feu de graisse ou d'huile avec de l'eau.

**LE NON-RESPECT DE CES AVERTISSEMENTS ET DE CES INSTRUCTIONS POURRAIT ENTRAÎNER UN INCENDIE OU UNE EXPLOSION POUVANT CAUSER DES DOMMAGES MATÉRIELS, DES BLESSURES OU LA MORT.**

## **⚠ MESURES DE PROTECTION IMPORTANTES ⚠**

### **⚠ AVERTISSEMENT**

- Ne conservez et n'utilisez pas d'essence ou d'autres liquides ou vapeurs inflammables près de cet appareil ou de tout autre appareil.
- Une bouteille de propane non connectée ne doit pas être entreposée près de cet appareil ou de tout autre appareil.
- N'utilisez PAS le gril au gaz à l'intérieur pour la cuisson ou le chauffage. Des émanations toxiques peuvent s'accumuler et causer l'asphyxie.
- Ne conservez et n'utilisez pas d'huile de cuisson supplémentaire près de cet appareil ou de tout autre appareil.
- Ce gril ne doit être utilisé qu'avec du gaz propane (la bouteille de gaz propane n'est pas fournie).
- Ne tentez jamais de raccorder ce gril au système de propane autonome d'une roulotte de camping, d'une maison mobile ou d'une maison.
- N'utilisez pas de charbon ou de liquide d'allumage avec le gril au gaz.
- N'utilisez pas d'essence, de kérosène ou d'alcool pour l'allumage. La bouteille de propane utilisée doit être fabriquée et marquée conformément aux spécifications relatives aux bouteilles de propane du département des Transports américain (DOT) (CFR 49) Ce gril n'est pas conçu pour être utilisé ou installé sur ou dans un véhicule récréatif ou une embarcation.
- Ne tentez pas de déplacer le gril lorsqu'il est en marche.
- N'utilisez pas le gril tant qu'il n'est pas complètement assemblé et que les pièces ne sont pas solidement fixées et serrées.
- Gardez la totalité des articles et des surfaces combustibles à au moins 90 cm (36 pouces) du gril en tout temps.

## ⚠ MESURES DE PROTECTION IMPORTANTES ⚠

- N'utilisez PAS ce gril ou tout autre produit au gaz près de constructions combustibles non protégées.
- Ne tentez pas de déplacer le gril lorsqu'il est en marche.
- Ne conservez PAS une bouteille de propane de rechange sous l'appareil ni à proximité de celui-ci. Un incendie pouvant entraîner la mort ou des blessures graves est possible.
- Pour éviter les brûlures, ne touchez pas les parties métalliques du gril jusqu'à ce qu'il ait complètement refroidi (environ 45 minutes), sauf si vous portez un équipement de protection (gants pour BBQ, poignées, etc.).
- Ne modifiez ce gril d'aucune façon.
- Ne gardez jamais un contenant plein dans une voiture chaude ou un coffre de voiture chaud. La chaleur fera augmenter la pression de gaz, ce qui pourrait ouvrir la soupape de décharge et laisser le gaz s'échapper.
- Gardez propres le compartiment du robinet, les brûleurs et les passages de circulation d'air du gril. Inspectez le gril avant chaque usage.
- Ce gril convient uniquement à un usage en extérieur et ne doit pas être utilisé dans un bâtiment, un garage, une tente ou un autre endroit fermé.
- La consommation d'alcool, de médicaments avec ou sans ordonnance peut nuire à la capacité de l'utilisateur d'assembler correctement le gril et de l'utiliser en toute sécurité.
- Ouvrez toujours le couvercle du gril lentement et prudemment, car la chaleur et la vapeur emprisonnées dans le gril peuvent vous causer de graves brûlures.
- Gardez les enfants et les animaux à l'écart du gril en tout temps.
- N'utilisez pas le gril lorsque le temps est très venteux.
- Ne pliez et ne transportez jamais le gril lorsque la bouteille de propane y est fixée.
- En cas de feu d'huile ou de graisse, ne tentez pas de l'éteindre avec de l'eau. Appelez immédiatement le service d'incendie. Un extincteur de type BC ou ABC pourrait, en certaines circonstances, contenir l'incendie.
- Cet appareil n'est pas destiné à une utilisation commerciale.

### ⚠ DANGER

LE GAZ PROPANE LIQUIDE (GPL) EST INFLAMMABLE ET DANGEREUX S'IL N'EST PAS MANIPULÉ CORRECTEMENT. CONNAISSEZ SES CARACTÉRISTIQUES AVANT D'UTILISER TOUT PRODUIT AU PROPANE.

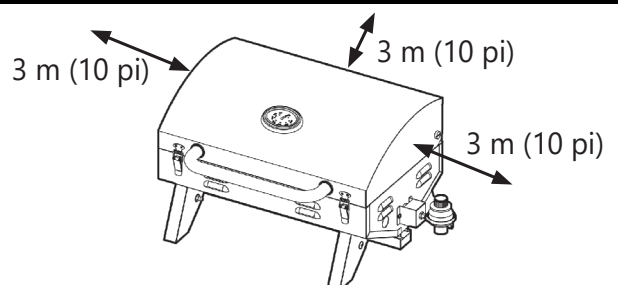
- Caractéristiques du propane : Inflammable, explosif sous pression, plus lourd que l'air, se dépose dans des dépressions.
- Dans son état naturel, le propane est inodore. Pour votre sécurité, un odorisant a été ajouté.
- Le contact avec le propane peut causer des brûlures par le froid.
- Ce gril est expédié par l'usine pour être utilisé avec du gaz propane seulement.
- N'utilisez jamais une bouteille de propane dont le corps, le robinet, le collet ou le pied est endommagé.
- Ne remplissez jamais une bouteille de 1 lb.
- Les bouteilles de propane bosselées ou rouillées peuvent être dangereuses et devraient être vérifiées par votre fournisseur de gaz propane.

LA BOUTEILLE DE PROPANE UTILISÉE AVEC CE GRIL AU PROPANE DOIT SATISFAIRE LES EXIGENCES SUIVANTES :

- Capacité de 1 lb
- Fabriquée et étiquetée conformément aux normes relatives aux bouteilles de propane du département des Transports américain (DOT) (CFR 49) ou à la norme nationale du Canada CAN/CSA-B339 « Bouteilles et tubes utilisés pour le transport des marchandises dangereuses », selon le cas, portant la marque « Propane » (voir sur le collet).
- Fournies avec un dispositif de raccord compatible avec le raccord du gril.

## Proximité avec les structures et recommandations de sécurité lors de l'utilisation

**RAPPEL :** Gardez une distance minimale de 3 m (10 pi) entre l'arrière, les côtés et le dessus du fumoir et une structure surélevée, un mur, une rampe ou une autre installation quelconque. Ce dégagement fournit un espace suffisant pour assurer une combustion, une circulation de l'air et une ventilation appropriées.





## ***Félicitations***

pour l'achat de votre nouveau  
gril de table au propane Smoke Hollow®

S'il est installé, utilisé et entretenu correctement, cet appareil vous fournira de la nourriture délicieuse et du plaisir à cuisiner pendant des années.

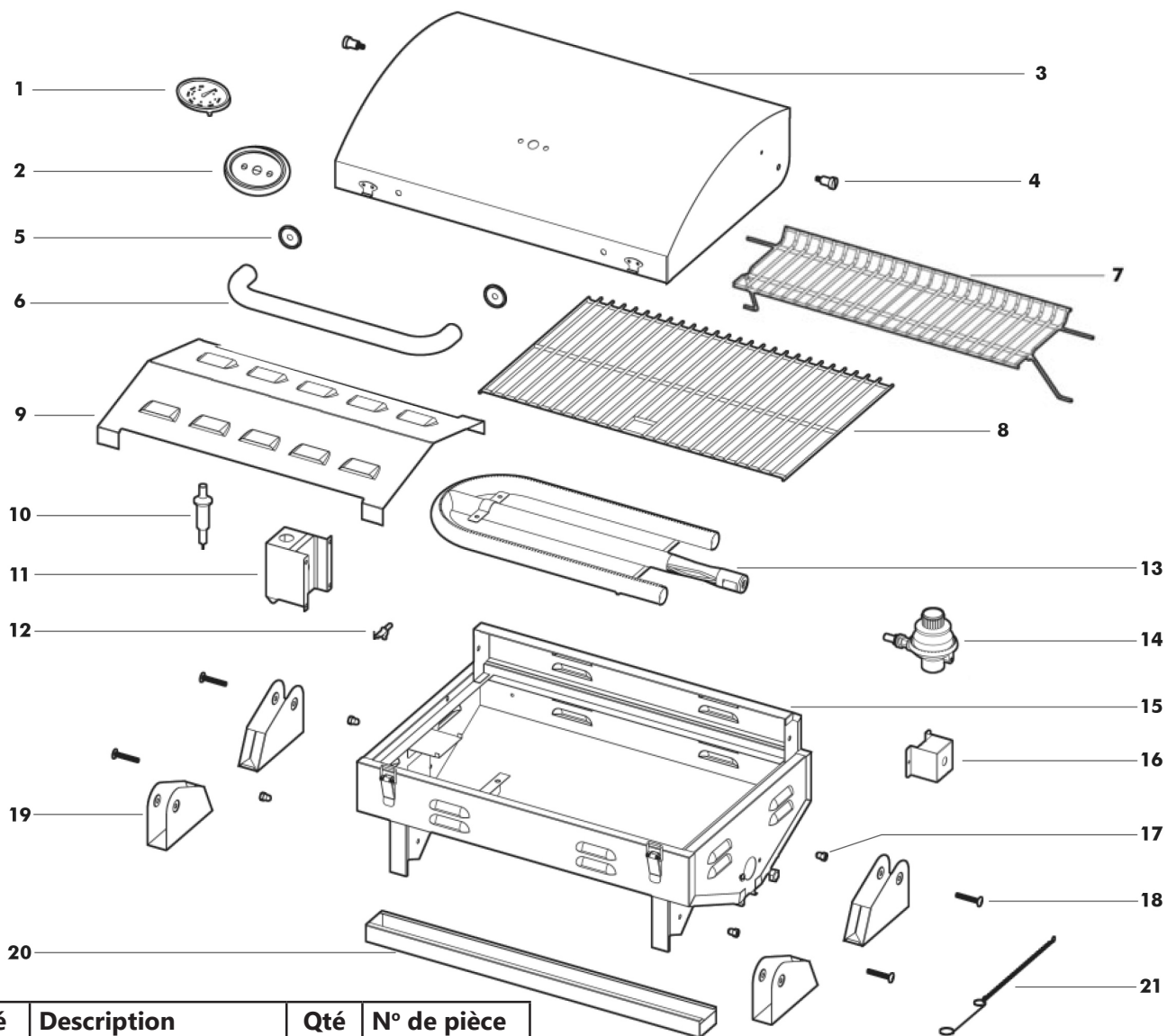
### **IMPORTANT**

Lorsque vous déballez votre gril, retirez la totalité des pièces et de l'emballage de la boîte et de l'intérieur du gril. Assurez-vous d'avoir tous les articles indiqués sur la liste des pièces. Vérifiez bien l'appareil pour vous assurer qu'il n'est pas endommagé.

**SI VOUS AVEZ DES PROBLÈMES AVEC CE PRODUIT OU S'IL Y A DES PIÈCES MANQUANTES OU ENDOMMAGÉES, VEUILLEZ TÉLÉPHONER AU SERVICE À LA CLIENTÈLE SANS FRAIS 1-866-475-5180.**

**REMARQUE : NE RAPPORTEZ PAS L'APPAREIL AU MAGASIN AVANT D'AVOIR TÉLÉPHONÉ AU NUMÉRO SANS FRAIS. Ne jetez pas les boîtes tant que vous n'êtes pas complètement satisfait avec votre nouveau gril Smoke Hollow®.**

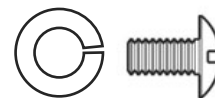
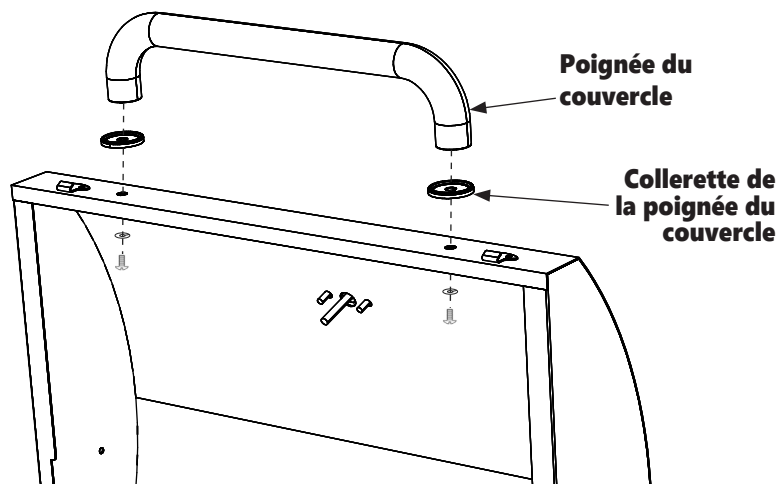
# Liste des pièces et des outils



Clé	Description	Qté	N° de pièce
1	Thermomètre	1	205-1
2	Collerette du thermomètre	1	205-2
3	Couvercle	1	205-3
4	Axe de charnière du couvercle	2	205-4
5	Collerette de la poignée du couvercle	2	205-5
6	Poignée du couvercle	1	205-6
7	Grille-réchaud	1	205-7
8	Grille de cuisson	1	205-8
9	Plaque de recouvrement	1	SST18L-6
10	Piézoallumeur	1	205-10
11	Boîtier de l'allumeur	1	SST18L-1
12	Électrode (fil non illustré)	1	SST18L-2
13	Brûleur	1	SST18L-3
14	Régulateur et robinet	1	SST18L-4
15	Foyer du gril	1	205-15
16	Boîtier du régulateur	1	SST18L-5
17	Écrou du pied	4	205-17
18	Boulon du pied	4	205-18
19	Pied	4	205-19
20	Plateau ramasse-gouttes	1	205-20
21	Porte-allumette	1	205-21
	Trousse de quincaillerie	1	205-HDWR

# Assemblage du grill

## 1. Assemblage de la poignée du couvercle

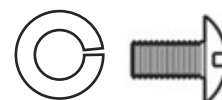
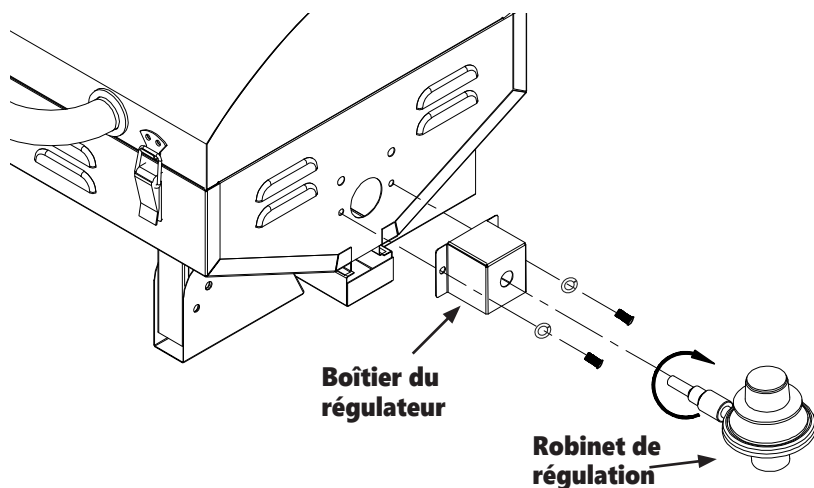


Ensemble de boulons 1/4-20  
× 0,50 po (2 morceaux)

### Instructions :

Insérez une collerette de la poignée entre chaque extrémité de la poignée et le couvercle du grill, puis insérez un boulon de 1/4-20 × 0,50 po avec rondelle dans chaque extrémité de la poignée en passant par l'intérieur du couvercle. Serrez les boulons.

## 2. Assemblage du boîtier du régulateur et du robinet

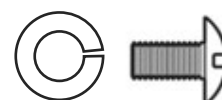
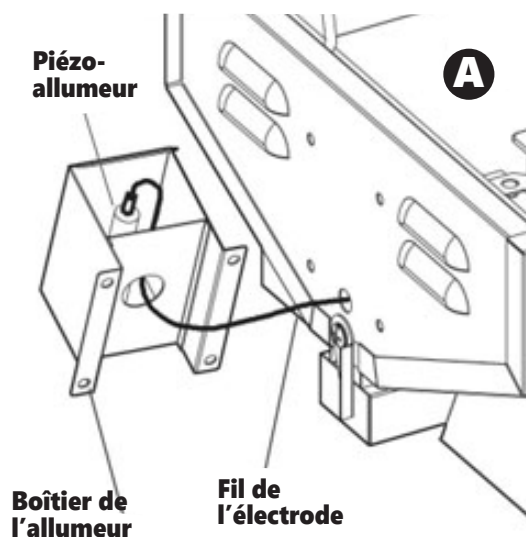


Ensemble de Boulons 5/32 ×  
0,31 po (2 morceaux)

### Instructions :

Alignez les trous dans le boîtier du régulateur avec les trous filetés dans le pare-feu du grill et insérez deux boulons de 5/32 × 0,31 avec des rondelles à travers les trous dans le boîtier dans les trous filetés dans la chambre de combustion. Serrez bien les boulons. Vissez le robinet de régulation dans le trou fileté du boîtier du régulateur jusqu'à ce qu'il soit serré.

## 3. Assemblage du boîtier de l'allumeur



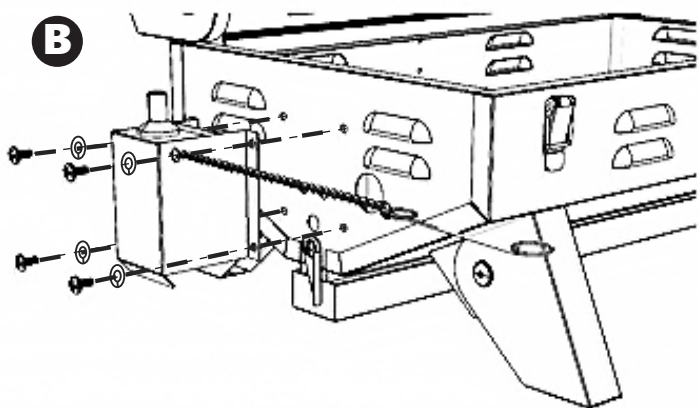
Ensemble de Boulons 5/32 ×  
0,31 po (4 morceaux)

### Instructions :

**A.** Filetez le fil de l'électrode dans le trou dans le boîtier de l'allumeur et fixez l'extrémité à la tige qui se trouve sur l'extrémité inférieure du piézoallumeur.

– Suite de l'assemblage à la page suivante

# Assemblage du grill



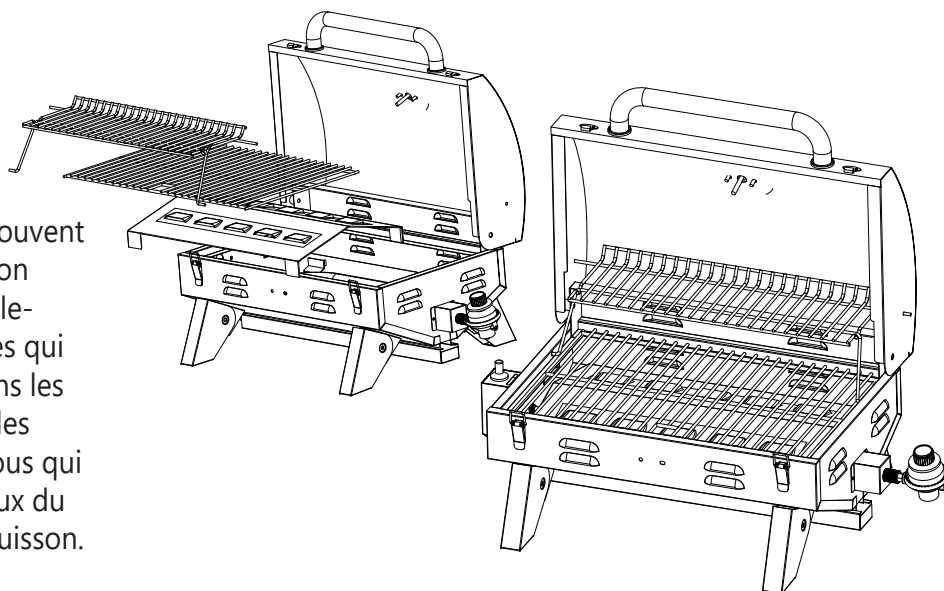
## Instructions :

**B.** Alignez les trous dans le boîtier de l'allumeur avec les trous filetés dans l'extrémité du foyer. Insérez quatre boulons 5/32 x 0,31 avec des rondelles à travers le boîtier dans les trous filetés. Lorsque vous installez le quatrième boulon, insérez-le d'abord au travers de l'anneau qui se trouve à l'extrémité de la chaîne du porte-allumette, puis au travers du boîtier et dans l'extrémité du foyer. Serrez bien les boulons.

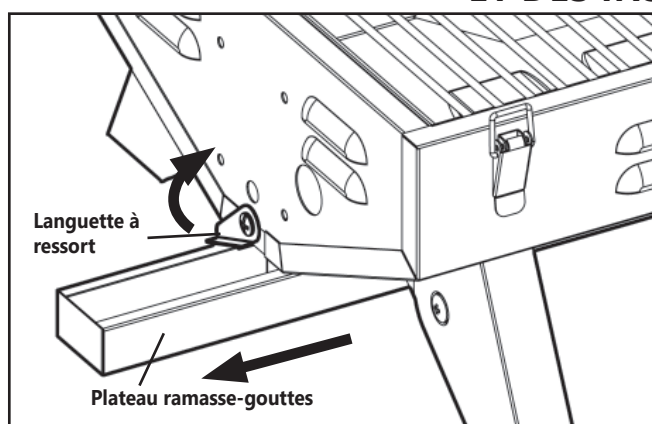
## 4. Assemblage de la plaque de recouvrement, de la grille de cuisson et de la grille-réchaud

### Instructions :

Installez le bouclier thermique sur le grill. Les oreilles du bouclier thermique devraient se trouver à l'extérieur des languettes qui se trouvent dans le grill. Mettez la grille de cuisson sur le grill. Pour terminer, fixez la grille-réchaud en insérant les deux broches qui se trouvent à l'arrière de la grille dans les trous du couvercle. Ensuite, insérez les broches des pieds avant dans les trous qui se trouvent le long des bords latéraux du grill, juste au-dessus de la grille de cuisson.



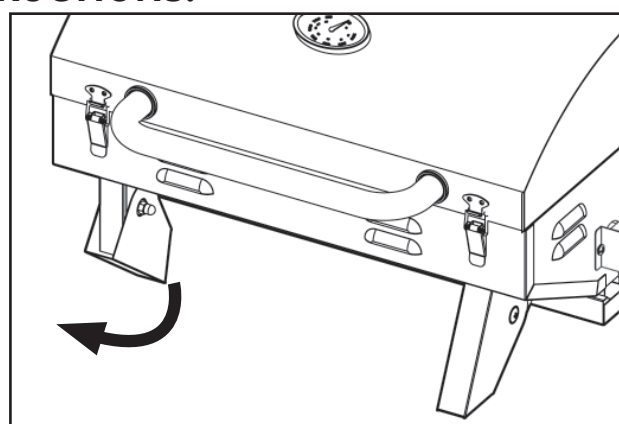
**L'ASSEMBLAGE DE VOTRE GRILL EST MAINTENANT TERMINÉ.  
POUR VOTRE SÉCURITÉ, RESPECTEZ LA TOTALITÉ DES MESURES DE PRÉCAUTION  
ET DES INSTRUCTIONS.**



### Accès au plateau ramasse-gouttes :

Vous pouvez accéder au plateau ramasse-gouttes pour le nettoyer en faisant tourner la languette à ressort et en glissant le plateau hors du dessous du grill.

REMARQUE : Illustré ici dans le boîtier de l'allumeur pour plus de clarté.



### Utilisation sur une table :

Dépliez les pieds de la façon illustrée et mettez le grill sur une surface horizontale. Lorsque les pieds sont complètement dépliés, ils s'enclenchent en position ouverte. Des dépressions dans les pieds les aident à rester en place. Pour refermer le grill, il suffit d'appuyer assez fort pour surmonter l'ajustement par frottement.

# Avant d'utiliser votre gril au propane

## Codes d'installation

### ⚠ AVERTISSEMENT ⚠

Pour réduire le risque de blessures graves ou de mort des suites d'un incendie ou d'une explosion :

- Cette installation doit respecter les codes locaux ou l'un des codes suivants : National Fuel Gas Code, ANSI Z223.1/ NFPA 54, Natural Gas and Propane Installation Code, CSA B149.1, ou Propane Storage and Handling Code, B149.2.
- Si une source d'électricité extérieure est utilisée, l'appareil de cuisson, une fois installé, doit être mis à la terre conformément aux codes locaux ou, en l'absence de codes locaux, au National Electrical Code, ANSI/NFPA 70 ou au Code canadien de l'électricité, CSA C22.1.
- Gardez le tuyau d'alimentation en gaz à distance de toute surface chaude.

## Choix d'un emplacement

### ⚠ AVERTISSEMENT ⚠

Pour réduire le risque de blessures graves ou de mort des suites d'un incendie ou d'une explosion :

- Cet appareil de cuisson pour l'extérieur convient uniquement à un usage en extérieur et ne doit jamais être utilisé dans un bâtiment, un garage, un passage recouvert, un abri d'auto, un porche ou un autre endroit fermé. Installez l'appareil de cuisson pour l'extérieur dans un endroit bien ventilé, sur une surface plane et stable, qui ne contient pas de matières combustibles ou inflammables.
- Installez votre gril au propane à au moins 10 pieds de votre maison ou de tout bâtiment.
- Gardez une distance minimale de 10 pieds entre toute construction combustible et l'arrière et les côtés du gril.
- N'installez pas cet appareil sous des constructions combustibles non protégées.
- Cet appareil de cuisson pour l'extérieur n'est pas destiné à être utilisé dans ou sur un bateau ou à être installé dans ou sur un véhicule récréatif.
- N'utilisez jamais un gril au propane comme appareil de chauffage portatif.

## Exécution d'un test de fuite

### ⚠ AVERTISSEMENT ⚠

- Effectuez un test de fuite avant d'allumer votre gril pour la première fois.
- Effectuez un test de fuite si tout composant du système de gaz a changé.
- Effectuez un test de fuite après avoir déplacé votre gril, surtout sur des chemins accidentés et cahoteux.
- Effectuez un test de fuite au moins une fois par saison.
- Effectuez un test de fuite après toute période prolongée d'entreposage ou de non-utilisation.
- Effectuez les tests de fuite dans un endroit bien ventilé.
- N'utilisez en aucun cas une flamme nue pour détecter une fuite de gaz.
- Ne fumez jamais près du gril pendant un test de fuite.
- N'effectuez pas un test de fuite sur un gril qui est chaud ou en cours d'utilisation.
- N'utilisez pas le gril au gaz si vous détectez une fuite de gaz qui ne peut pas être corrigée en utilisant les procédures décrites dans le test de fuite.

# Avant d'utiliser votre gril au propane

## Précautions lors de l'installation

- Utilisez uniquement des bouteilles jetables de 1 lb (16,4 oz) (DOT39 Cylinder) d'une hauteur de 7-3/8 po (non fournies).
- Seules les bouteilles portant la mention « Propane » doivent être utilisées. La bouteille doit être déconnectée quand l'appareil n'est pas utilisé.
- Le régulateur de pression fourni avec l'appareil doit être utilisé.
- Les régulateurs de pression de rechange doivent être ceux spécifiés par le fabricant.
- Le système d'alimentation de la bouteille doit être disposé pour permettre l'évacuation des vapeurs.
- Ne conservez pas une bouteille de propane de rechange sous l'appareil ni à proximité de celui-ci.
- Si les instructions ne sont pas suivies à la lettre, un incendie pouvant entraîner la mort ou des blessures graves est possible.

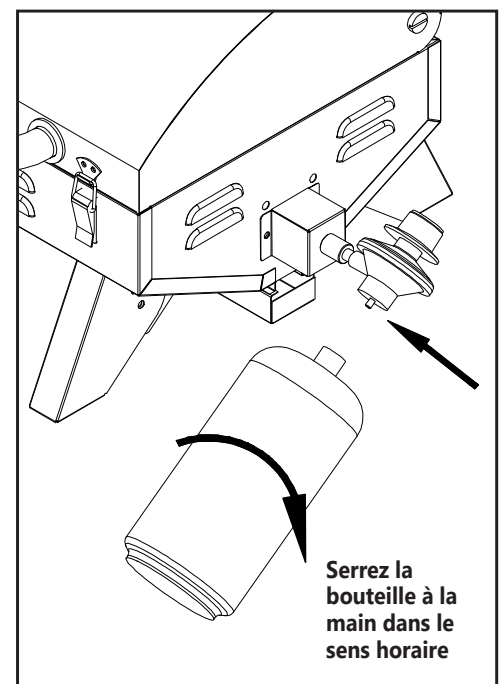
## Branchement de la bouteille de propane

1. Achetez une bouteille de propane de 1 lb auprès de votre détaillant local.
2. Tournez le bouton du régulateur jusqu'en position « Off ».
3. Retirez le capuchon protecteur de l'ouverture du régulateur. Retirez le capuchon en plastique du dessus de la bouteille de propane. Conservez le bouchon de la bouteille afin de la remettre sur la bouteille s'il reste du gaz après l'utilisation.
4. Insérez la bouteille de propane de 1 lb dans le trou fileté qui se trouve sur le dessous du régulateur. Tournez la bouteille dans le sens horaire jusqu'à ce qu'elle soit ferme. Serrez à la main seulement.
5. Pour un rendement optimal, laissez la bouteille pendre verticalement au-dessus du bord de la table lorsqu'il n'y a aucun risque qu'elle soit heurtée ou dérangée.

**REMARQUE : NE PLIEZ ET NE TRANSPORTEZ JAMAIS LE GRIL LORSQUE LA BOUTEILLE DE PROPANE Y EST FIXÉE.**

## Débranchement de la bouteille de propane

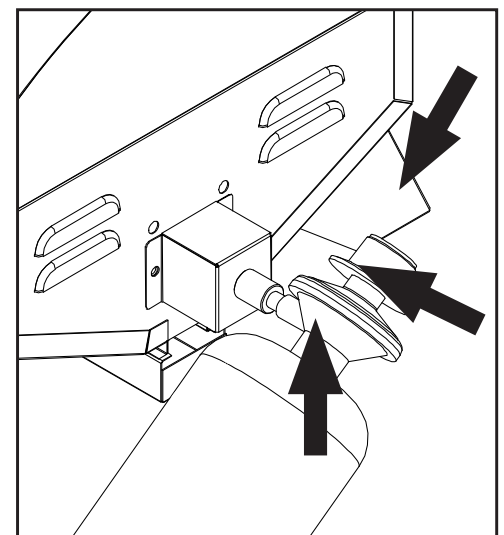
1. Tournez le bouton du régulateur jusqu'en position « Off ».
2. Enlevez la bouteille en la tournant dans le sens antihoraire.
3. Remettez le capuchon protecteur sur l'ouverture du régulateur. Si la bouteille de propane n'est pas vide, remettez le capuchon en plastique sur le dessus pour le rangement.
4. Rangez la bouteille à l'extérieur et à l'écart du gril.



## Comment effectuer un test de fuite – PREMIÈRE UTILISATION

### FOURNITURES NÉCESSAIRES :

- Pinceau propre, eau, savon à vaisselle liquide et bol ou boîte métallique vide
- 1. Assurez-vous que le bouton du régulateur est tourné sur la position « Off » et que la bouteille de propane est bien serrée sur le régulateur.
- 2. Préparez un mélange contenant une partie d'eau et une partie de savon à vaisselle liquide.
- 3. Appliquez le mélange au pinceau sur le régulateur, la bouteille de propane et le raccord, aux endroits indiqués par les flèches épaisses ci-dessous. Si des bulles apparaissent, il y a une fuite.
- 4. Si la fuite apparaît au raccord entre le régulateur et la bouteille, recommencez la procédure d'installation de la bouteille, mais ne serrez pas trop. (REMARQUE : Serrez uniquement à la main.) Recommencez le test de fuite.
  - A. Si la fuite provient de la bouteille de gaz ou s'il est impossible de l'arrêter, enlevez la bouteille et N'UTILISEZ PAS LE GRIL. Téléphonez au service à la clientèle au 1-866-475-5180. Assurez-vous d'avoir le numéro de modèle et le numéro de série du gril, imprimés sur l'étiquette qui se trouve à l'intérieur du pied arrière. Si vous avez besoin d'une pièce de rechange couverte par la garantie, une preuve d'achat sera requise.



## Allumage du gril

### ⚠ AVERTISSEMENT ⚠

Pour réduire le risque de blessures graves ou de mort des suites d'un incendie ou d'une explosion :

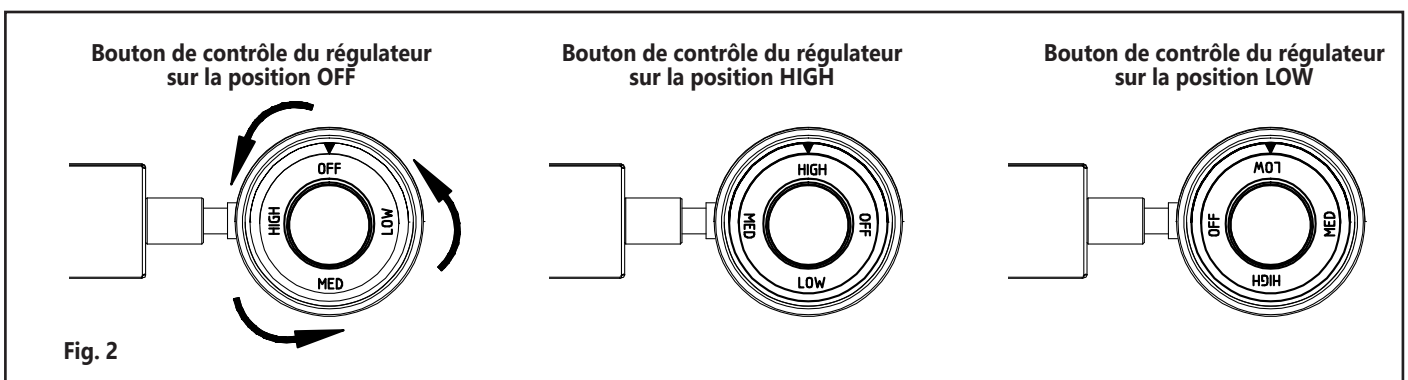
- Ouvrez le couvercle avant d'allumer le gril pour libérer le gaz emprisonné.
- Après l'échec d'une tentative d'allumage, ou si le brûleur s'éteint pendant le fonctionnement, tournez le bouton de réglage sur la position « Off » afin de dissiper tout gaz accumulé. Attendez cinq minutes avant de recommencer la procédure d'allumage.

1. Ouvrez le couvercle.
2. Enfoncez le bouton du régulateur et tournez-le sur 270 degrés (3/4 tour) dans le sens antihoraire jusqu'à la position High (Fig. 2). Notez le repère triangulaire sur le boîtier argent du régulateur.
3. Appuyez sur le bouton de l'allumeur à plusieurs reprises jusqu'à ce que le brûleur s'allume. Assurez-vous d'entendre le clic qui indique l'allumage de l'étincelle, et regardez pour vérifier si le brûleur est allumé.

Si le brûleur s'éteint pendant l'utilisation, tournez le bouton du régulateur jusqu'en position « Off ». Ouvrez le couvercle et attendez cinq minutes avant d'essayer de rallumer le gril, afin de laisser le gaz accumulé se dissiper.

Si le brûleur ne s'est pas allumé après trois ou quatre tentatives, tournez le bouton du régulateur jusqu'en position « Off » et laissez le gaz accumulé se dissiper. Vérifiez si l'allumeur produit une étincelle en appuyant sur le bouton de l'allumeur et en regardant l'extrémité de l'allumeur. S'il n'y a pas d'étincelle, ajustez la distance entre l'extrémité de l'électrode et le brûleur à 3/16 po (Fig. 3). S'il n'y a toujours pas d'étincelle, consultez la **section Dépannage**.

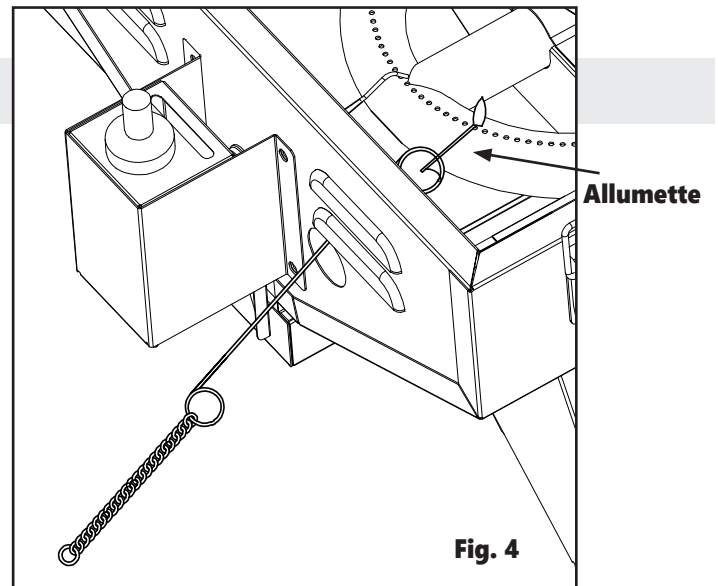
Attendez cinq minutes, puis recommencez les procédures d'allumage. Le brûleur peut également être allumé manuellement : consultez la section **Allumage manuel du gril**, à la page suivante. Si vous vous rendez compte que votre gril devient difficile à allumer ou que la flamme n'est pas aussi chaude qu'elle l'a déjà été, consultez la section **Comment nettoyer votre brûleur** afin d'enlever toute obstruction possible.



## Allumage manuel du grill

1. Ouvrez le couvercle. **IMPORTANT** : Assurez-vous que le bouton du régulateur est sur la position OFF.
2. Tout en tenant une allumette allumée près du brûleur (Fig. 4), enfoncez le bouton du régulateur et tournez-le sur 270 degrés (3/4 tour) dans le sens antihoraire jusqu'à la position High.

Si le brûleur s'éteint pendant l'utilisation, tournez le bouton du régulateur jusqu'en position « Off ». Ouvrez le couvercle et attendez cinq minutes avant d'essayer de rallumer le grill, afin de laisser le gaz accumulé se dissiper.



## Vérifiez la flamme

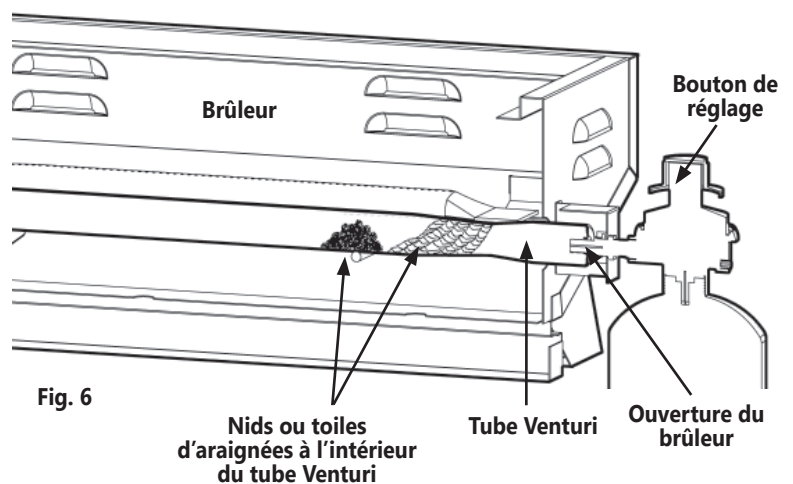
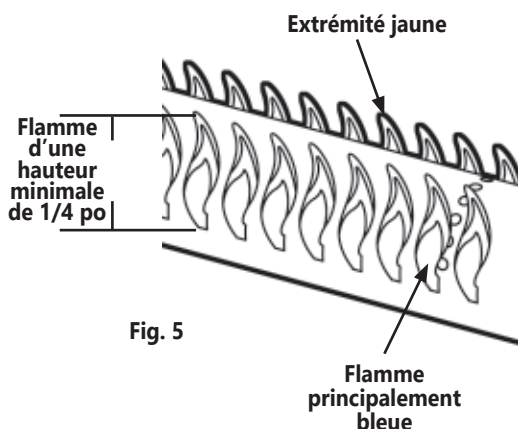
### ⚠ AVERTISSEMENT ⚠

Pour réduire le risque de mort ou de blessures graves des suites d'un incendie ou d'une explosion :

- Inspectez et nettoyez régulièrement le brûleur et le tube Venturi pour enlever les insectes ou les nids d'insectes, surtout après une période d'entreposage prolongée. Les araignées ou de petits insectes peuvent faire des toiles, construire des nids et pondre des œufs dans le tube Venturi du brûleur, obstruant ainsi le débit de gaz vers le brûleur. (Fig. 6) Le gaz bloqué peut s'allumer et causer un incendie. C'est ce qu'on appelle « retour de flamme ».
- Assurez-vous que le brûleur est réinstallé correctement avant d'utiliser le grill.

Le brûleur a été pré réglé par le fabricant pour générer une flamme optimale. Une flamme bleue, avec peut-être une petite extrémité jaune, est le résultat d'un mélange optimal d'air et de gaz. (Fig. 5)

Vérifiez la flamme avant chaque séance de cuisson et pendant la saison de grill. Vérifiez la flamme, particulièrement si le grill a été entreposé pendant une longue période. Notez que la hauteur minimale de la flamme devrait être 1/4 po. Si la flamme a une couleur très jaune, la quantité de propane dans le mélange d'air et de propane est incorrecte. Cela pourrait être attribuable à l'obstruction d'un brûleur par les écoulements de graisse ou à un nid construit par un insecte dans le brûleur ou l'ouverture de celui-ci. Si vous vous rendez compte que votre grill devient difficile à allumer ou que la flamme n'est pas aussi chaude qu'elle l'a déjà été, consultez la section **Comment nettoyer votre brûleur** afin d'enlever toute obstruction possible.



# Cuisson sur le gril au gaz

## ⚠ AVERTISSEMENT ⚠

Pour réduire le risque de blessures graves, de mort ou de brûlures des suites d'un incendie ou d'une explosion :

- N'utilisez pas de charbon ou de liquide d'allumage dans votre gril au gaz. Gardez cet appareil de cuisson pour l'extérieur à distance et libre de tout matériau combustible tel que de l'essence ou tout autre liquide ou gaz inflammable.
- Gardez le cordon d'alimentation électrique et le tuyau du régulateur à distance de toute surface chaude.
- Avant chaque utilisation, assurez-vous qu'il n'y a pas de fuites de gaz ou d'obstruction dans la circulation de l'air de combustion et de ventilation.
- Ouvrez toujours le couvercle avant d'allumer le gril au propane.
- Ne tentez pas d'éteindre un feu de graisse avec de l'eau ou un autre liquide. Gardez un extincteur de type BC ou ABC à portée de la main. N'arrosez jamais le gril ou les surfaces de cuisson avec de l'eau lorsqu'ils sont chauds. Vous pourriez être brûlé par des éclaboussures de graisse ou d'eau.
- Si votre gril au gaz s'enflamme :
  - Si le feu se trouve dans le gril lui-même et vous pouvez atteindre le bouton du régulateur en toute sécurité, tournez-le sur la position « Off ».
  - Si le feu affecte la bouteille de propane, n'y touchez pas : éloignez-vous et appelez le service d'incendie.
  - En cas d'incendie qui menace la sécurité des personnes ou des biens, appelez le service d'incendie.
- N'utilisez pas le gril si le plateau ramasse-gouttes n'est pas en place. Vérifiez s'il y a des accumulations dans le plateau ramasse-gouttes. Pour réduire le risque de feu de graisse dans le plateau ramasse-gouttes, videz l'excédent de graisse avant chaque utilisation.
- Ne mettez pas de contenants d'huile ou de graisse sur le gril ou à proximité de celui-ci.
- Ne faites jamais fonctionner un gril au gaz si vous savez ou soupçonnez qu'il y a une fuite de gaz.
- Ne laissez pas le gril sans surveillance.
- Ne portez pas de vêtements amples (pans de chemise sortis, vêtements avec volants, etc.) autour d'un gril au gaz pendant qu'il est utilisé ou chaud.
- Ne vous penchez pas au-dessus du gril au gaz lorsque vous l'allumez ou pendant qu'il est utilisé ou chaud.
- Ne touchez pas les surfaces chaudes. Portez des gants résistants à la chaleur ou des gants de cuisinier ou utilisez des pinces à long manche en tout temps, car le gril deviendra très chaud. Ouvrez le couvercle prudemment pendant la cuisson pour éviter les brûlures causées par l'air chaud et la vapeur emprisonnés à l'intérieur.
- Ne laissez pas les enfants utiliser un gril au gaz ou jouer à proximité de celui-ci. Gardez les enfants, les animaux et les passants loin des alentours du gril.
- Ne déplacez pas un gril au propane pendant l'utilisation ou tant qu'il est chaud.
- Lorsque le gril ne sert pas, tournez le bouton du régulateur à « Off » et débranchez la bouteille de propane.
- Si vous utilisez des plaques à frire, ne recouvrez pas plus de la moitié (50 %) de la surface de cuisson. Si la surface de cuisson est entièrement recouverte, cela causera une surchauffe sous les plaques.
- Ne laissez pas d'ustensiles ou d'articles de cuisine sur une surface de cuisson chaude.

Pour réduire le risque de brûlures causées par le retour de flamme ou l'air ou la vapeur chauds emprisonnés dans le gril, ouvrez prudemment le couvercle.

## Cuisson sur le gril (cuisson directe sur les grilles)

Les aliments sont cuits directement au-dessus de la source de chaleur. Le brûleur réchauffe la plaque de recouvrement sous la grille de cuisson, ce qui à son tour fait chauffer les aliments qui se trouvent sur la grille. Les jus naturels des aliments produits lors de la cuisson tombent sur la plaque de recouvrement chaude qui se trouve en dessous et se transforment en vapeur. La fumée montante arrose les aliments, ce qui leur confère cette saveur de barbecue unique.

Utilisez la méthode de cuisson directe pour les aliments qui prennent moins de 25 minutes à cuire, comme les steaks, les côtelettes, les brochettes, les saucisses et plus encore. Ces aliments devraient être retournés une fois, à mi-cuisson.

Pour saisir les viandes, mettez-les au-dessus de la chaleur directe élevée pendant 2 à 5 minutes par côté. La durée de saisie est moins longue pour les petits morceaux. Les hamburgers, les steaks, les côtelettes, les poitrines de poulet et les coupes de viande plus grosses bénéficient tous d'être saisis. Généralement, après la saisie, les aliments finissent de cuire à une température moins élevée.

Pour la cuisson directe, préchauffez le gril pendant 10 minutes avec le brûleur sur la position « High ». Mettez les aliments sur la grille de cuisson, puis ajustez le brûleur à la température requise. Fermez le couvercle et ne l'ouvrez que pour retourner les aliments ou pour vérifier s'ils sont prêts à la fin de la durée de cuisson recommandée.

## Contrôle des poussées de flamme :

Les poussées de flamme font partie de la cuisson de la viande sur le gril. Cela ajoute à la saveur unique des aliments cuits au barbecue. Toutefois, des poussées de flamme excessives pourraient faire en sorte que vos aliments sont trop cuits et créer une situation dangereuse pour vous et votre gril. Des poussées de flamme excessives peuvent être le résultat de grandes quantités de graisse sur les aliments que vous faites cuire ou de l'accumulation de graisse sur le gril. En cas de poussées de flamme excessives, ne versez PAS d'eau sur les flammes. Cela pourrait causer des éclaboussures de graisse qui pourraient provoquer des brûlures ou des blessures graves. Dans l'éventualité d'un feu de graisse, éteignez le brûleur jusqu'à ce que la graisse ait fini de brûler. Pour prévenir ou minimiser les poussées de flamme, enlevez l'excédent de graisse ou de peau sur les viandes avant la cuisson, et nettoyez le gril et le plateau ramasse-gouttes pour éliminer l'excédent de graisse.

## Fin de la séance de cuisson

### ⚠ AVERTISSEMENT ⚠

Pour réduire le risque de mort, de blessures graves ou de brûlures des suites d'un incendie :

- Laissez le gril et la graisse dans le plateau ramasse-gouttes refroidir complètement avant de vider, de nettoyer, de déplacer ou de ranger le gril.
- Videz le plateau ramasse-gouttes après la séance de cuisson pour éviter toute accumulation de graisse.

1. Après chaque séance de cuisson, fermez le couvercle, tournez le brûleur sur la position « High » et laissez brûler pendant 5 minutes. Cela permettra de brûler une partie des résidus de cuisson, ce qui facilitera le nettoyage.
2. Lorsque vous avez fini d'utiliser votre gril, tournez le bouton du régulateur dans le sens horaire sur la position « Off ».
3. Enlevez la bouteille de propane et remettez le capuchon protecteur sur l'ouverture du régulateur. Si la bouteille de propane n'est pas vide, remettez le capuchon en plastique sur le dessus pour le rangement.
4. Rangez la bouteille à l'extérieur et à l'écart du gril.
5. Attendez que le gril soit frais au toucher avant de fermer le couvercle, de nettoyer, d'entreposer ou de transporter le gril.
6. Nettoyez votre gril au propane après chaque utilisation et après de longues périodes d'entreposage. Pour maintenir votre gril en bon état et en prolonger la durée de vie, il devrait être recouvert pendant l'entreposage.

## Entreposage et transport

### ⚠ AVERTISSEMENT ⚠

Ne mettez pas le gril en mode entreposage ou déplacement immédiatement après l'utilisation. Attendez que le gril soit frais au toucher avant de le déplacer ou de le ranger. Le non-respect de ces instructions pourrait entraîner un incendie pouvant causer des dommages matériels, des blessures ou la mort.

1. Débranchez la bouteille de propane du gril et entreposez-la à l'extérieur, dans un endroit sec et bien ventilé, loin de toute source de chaleur ou d'allumage. Remettez le capuchon de sécurité sur le robinet de la bouteille de propane.
2. Couvrez l'ouverture du régulateur avec le capuchon en plastique fourni avec le gril.
3. Si vous entreposez le gril ou vous prévoyez ne pas l'utiliser pendant une longue période, enlevez le brûleur et enveloppez-le dans une feuille d'aluminium pour réduire le risque que des insectes entrent dans les trous du brûleur. La grille de cuisson et la plaque de recouvrement peuvent également être enveloppées dans du papier d'aluminium.
4. Entreposez le gril à l'intérieur uniquement si la bouteille de propane est déconnectée du gril au gaz et entreposée à l'extérieur.
5. Avant la prochaine utilisation, enlevez le papier d'aluminium et réinstallez le brûleur, la plaque de recouvrement et la grille de cuisson.
6. Avant d'utiliser votre gril au propane après des périodes d'entreposage ou sans utilisation (p. ex., après l'hiver), vérifiez s'il y a des fuites de gaz, de la détérioration et des obstructions dans le brûleur, et assurez-vous qu'il est assemblé correctement.
7. Vérifiez et serrez périodiquement la totalité des écrous, des boulons et des vis du gril.

# Soins et entretien

Nous faisons les recommandations suivantes :

- Une inspection et l'entretien de cet appareil devraient être faits une fois par an par un réparateur qualifié.
- Vérifiez régulièrement que les alentours de l'appareil de cuisson pour l'extérieur soient libres de tout matériau combustible, d'essence et de tout autre liquide ou vapeur inflammable.
- Vérifiez régulièrement que la circulation d'air de combustion et de ventilation n'est pas obstruée.
- Vérifiez régulièrement que les orifices de ventilation de l'enceinte de la bouteille sont dégagés et libres de tout débris.
- Vérifiez et nettoyez régulièrement le brûleur et les tubes venturi pour vous assurer qu'ils ne contiennent ni insectes ni nids. Un tube bouché peut provoquer un incendie sous l'appareil.

**⚠ ATTENTION** : Certaines pièces pourraient avoir des bords tranchants. Au besoin, portez des gants de protection.

## Nettoyage du gril

### Plateau ramasse-gouttes :

Enlevez le plateau ramasse-gouttes qui se trouve sous la cuvette du gril une fois que celui-ci a complètement refroidi. Raclez les résidus de nourriture et de graisse du plateau ramasse-gouttes. Videz le plateau ramasse-gouttes et lavez-le au moyen d'eau chaude savonneuse et d'un chiffon.

### Bâti du gril :

Enlevez l'excédent de graisse au moyen d'un racloir en plastique souple ou en bois. N'utilisez pas de laine d'acier ou d'autres nettoyeurs abrasifs qui peuvent érafler les surfaces peintes, revêtues de porcelaine ou en acier inoxydable. Il n'est pas nécessaire d'enlever toute la graisse du bâti. Lorsque le gril a refroidi, essuyez-le au moyen d'essuie-tout ou d'un chiffon doux humide. Si de la rouille apparaît sur les grils peints, nettoyez et poncez la partie affectée avec de la laine d'acier. Retouchez le métal nu avec de la peinture résistante aux températures élevées spécifiées pour une utilisation avec les barbecues. Suivez les instructions d'utilisation du fabricant.

### Grille de cuisson/Plaque de recouvrement :

Enlevez les résidus avec une solution de bicarbonate de soude et d'eau. Pour les taches, utilisez une poudre à récurer non abrasive. N'utilisez pas de laine d'acier ou d'autres nettoyeurs abrasifs qui peuvent érafler les surfaces plaquées, revêtues de porcelaine ou en acier inoxydable. La nourriture pourrait coller sur les grilles de cuisson.

### Tout autre nettoyage :

Pour tout autre nettoyage, utilisez de l'eau chaude savonneuse et un chiffon ou une brosse à soies en nylon seulement. N'immergez pas les contrôles de gaz dans l'eau. (Évitez que l'eau pénètre dans les orifices du brûleur.)

### Brûleur :

La combustion des résidus après la cuisson gardera le brûleur propre lors d'une utilisation normale, à condition qu'il fonctionne correctement. Nettoyez le brûleur tous les ans, ou lorsque vous observez une accumulation épaisse, pour vous assurer qu'il n'y a aucun signe d'obstruction (débris, insectes) dans les orifices du brûleur, l'entrée d'air principale ou le col du brûleur. Voir **Comment nettoyer le brûleur**.

#### **Comment nettoyer le brûleur**

1. Assurez-vous que le bouton du régulateur est tourné sur la position « Off », que le gril a complètement refroidi et que la bouteille de propane est enlevée.
2. Retirez soigneusement la grille de cuisson et la plaque de recouvrement.
3. Pour enlever le brûleur, enlevez d'abord les boulons qui fixent le brûleur à son support.
4. Glissez le brûleur à tube vers la gauche jusqu'à ce que l'extrémité du tube soit débarquée de la buse du robinet et se trouve dans le foyer. Soulevez d'abord l'extrémité venturi du brûleur, puis glissez le brûleur hors du dessous de l'électrode.
5. Utilisez un nettoie-pipe pour enlever les nids d'insectes et les débris de l'orifice d'entrée du brûleur principal.
6. Ouvrez les orifices du brûleur au moyen d'un petit clou ou d'un fil métallique. Utilisez une brosse non métallique pour enlever les particules de nourriture et la corrosion des surfaces du brûleur.
7. Vérifiez si l'électrode est desserrée. Si c'est le cas, serrez la vis qui retient l'électrode afin de maintenir un espace de 3/16 po entre l'extrémité de l'électrode et le brûleur. **REMARQUE** : Avant l'étape suivante, vous pourriez souhaiter nettoyer le reste du gril. Voir la section **Nettoyage du gril**.
8. Après le nettoyage, remettez le brûleur. Si le gril doit être entreposé, le brûleur peut être enveloppé dans une housse protectrice, comme une feuille d'aluminium ou une pellicule de plastique, pour éviter que les insectes y entrent. **REMARQUE** : Lorsque vous remettez le brûleur, assurez-vous qu'il est positionné correctement. La buse du robinet devrait dépasser à l'intérieur de l'extrémité Venturi du brûleur. Remettez les boulons qui fixent la collerette du brûleur au support du brûleur.
9. Effectuez un test de fuite et vérifiez le fonctionnement du brûleur après le réassemblage.
10. Remettez en place la plaque de recouvrement et la grille de cuisson

# Dépannage

Problème	Cause possible	Solution
Fuite de gaz de la bouteille de propane	Défaillance mécanique causée par la rouille ou une mauvaise manutention	Remplacez la bouteille de propane
Fuite de gaz entre la bouteille de propane et le branchement au régulateur	Mauvaise installation, raccordement desserré, défaillance du joint d'étanchéité de la bouteille de propane	Enlevez la bouteille de propane. Réinstallez-la correctement et serrez. Remplacez la bouteille si elle est endommagée. Voir les sections <b>Test de fuite</b> et <b>Raccordement du régulateur à la bouteille de propane</b> .
Feu de graisse ou flammes excessives au-dessus de la surface de cuisson	Trop de graisse accumulée dans la zone du brûleur	Fermez le bouton du régulateur et enlevez la bouteille de propane. Une fois que l'incendie est éteint et que le gril a refroidi, nettoyez les particules de nourriture et l'excédent de graisse présents à l'intérieur du foyer, dans le récipient à graisse et sur d'autres surfaces.
Retour de flamme (feu dans ou autour des tubes Venturi)	Tube Venturi obstrué ou bloqué	Si vous pouvez atteindre le bouton du régulateur sans danger, tournez-le sur la position « Off », puis enlevez la bouteille de propane. Une fois que le gril a refroidi, nettoyez le brûleur et les tubes Venturi. Voir la section <b>Comment nettoyer le brûleur</b> .
Le brûleur ne s'allume pas au moyen de l'allumeur	Le brûleur n'est pas assemblé correctement	Voir les instructions pour le réassemblage après le nettoyage dans la section <b>Soins et entretien</b> .
	L'allumeur n'est pas enfoncé suffisamment pour générer une étincelle	Enfoncez le bouton du régulateur et tournez-le dans le sens antihoraire jusqu'à la position « High ». Appuyez sur le bouton de l'allumeur jusqu'à ce que vous entendiez un clic fort. Recommencez jusqu'à ce que le brûleur s'allume.
	Pas d'étincelle – déplacé, desserré ou cassé	<ol style="list-style-type: none"> <li>1. L'extrémité de l'électrode est pliée (ce qui crée un espace trop grand ou trop petit entre l'électrode et le brûleur). Repliez l'extrémité de l'électrode afin qu'il y ait un espace de 3/16 po avec le brûleur. (page 26)</li> <li>2. Serrez les vis de fixation de l'électrode.</li> <li>3. Remplacez l'assemblage du fil de l'allumeur et de l'électrode. (Téléphonez au service à la clientèle.)</li> </ol>
	La bouteille de propane est vide	Achetez une nouvelle bouteille de propane de 1 lb
	La bouteille de propane n'est pas fixée correctement au régulateur	Serrez manuellement la bouteille. N'utilisez pas d'outils.
	Obstruction dans le brûleur	Voir la rubrique <b>Comment nettoyer le brûleur</b> dans la section <b>Soins et entretien</b> .
	Électrodes et brûleurs mouillés	Laissez l'électrode sécher à l'air ou séchez-la avec un chiffon propre ou un séchoir à cheveux.
	Le fil est lâche ou déconnecté	Reconnectez le fil.
Le fil produit un court-circuit (étincelles) entre l'allumeur et l'électrode	Remplacez l'assemblage du fil de l'allumeur et de l'électrode. (Téléphonez au service à la clientèle.)	
Le brûleur ne s'allume pas au moyen d'une allumette	Le brûleur n'est pas assemblé correctement.	Voir les instructions pour le réassemblage après le nettoyage dans la section <b>Soins et entretien</b> .
	Le bouteille de propane est vide	Achetez une nouvelle bouteille de propane de 1 lb.
	La bouteille de propane n'est pas fixée correctement au régulateur	Serrez manuellement la bouteille. N'utilisez pas d'outils.
	Obstruction dans le brûleur.	Voir la rubrique <b>Comment nettoyer le brûleur</b> dans la section <b>Soins et entretien</b> .
Flamme basse ou chaleur insuffisante	Le niveau de propane dans la bouteille de propane est bas	Achetez une nouvelle bouteille de propane de 1 lb
Les flammes s'éteignent.	Vents forts ou en bourrasques.	Tournez le devant du gril en sens contraire du vent ou augmentez la hauteur de la flamme.
	Le niveau de propane dans la bouteille de propane est bas.	Achetez une nouvelle bouteille de propane de 1 lb
Poussée de flamme	Accumulation de graisse.	Nettoyez le gril.
	Quantité excessive de gras dans la viande.	Découpez le gras de la viande avant la cuisson.
Feu de graisse persistant.	Graisse emprisonnée autour du système de brûleur.	Tournez le bouton du régulateur sur la position « Off », puis enlevez la bouteille de propane. Ouvrez prudemment le couvercle et laissez le feu s'éteindre. Une fois que le gril a refroidi, enlevez et nettoyez toutes les pièces.

**Si les renseignements fournis ci-dessus ne permettent pas de résoudre votre problème, veuillez téléphoner au Service à la clientèle au 1-866-475-5180. Si vous avez besoin d'une pièce de rechange couverte par la garantie, une preuve d'achat sera requise.**

## Garantie limitée de 1 an de Smoke Hollow®

Smoke Hollow® garantit que ses produits sont exempts de défauts de matériel et de fabrication pendant un an à partir de la date d'achat d'origine s'ils sont assemblés de la manière appropriée, utilisés normalement et entretenus de la façon recommandée. La garantie de Smoke Hollow® ne couvre pas la finition de peinture, car elle peut brûler au cours d'un usage normal. La garantie de Smoke Hollow® ne couvre pas la rouille. Smoke Hollow® exige une preuve d'achat lors de réclamations au titre de la garantie, par exemple un reçu. Cette responsabilité prend fin dès la date d'expiration de la garantie.

Durant la période de garantie déclarée, Smoke Hollow®, à sa discrétion, remplacera gratuitement tout composant défectueux, le propriétaire étant responsable des frais de transport. Advenant que Smoke Hollow® demande que le ou les composants lui soient retournés pour inspection, Smoke Hollow® assumera les frais de transport pour le retour du composant demandé. Cette garantie exclut les dommages matériels dus au mauvais usage, à l'usage abusif ou à un accident, ainsi que les dommages découlant du transport.

Cette garantie expresse tient lieu de garantie unique offerte par Smoke Hollow® et remplace toute autre garantie expresse ou implicite, y compris toute garantie implicite d'aptitude à la commercialisation ou d'adaptation à un usage particulier. Ni Smoke Hollow® ni le détaillant qui vend ce produit ne sont autorisés à fournir des garanties ou à promettre quoi que ce soit qui dépasse ou qui contredit ce qui est énoncé ci-dessus. La responsabilité maximale de Smoke Hollow®, dans tous les cas, ne peut dépasser le prix d'achat de l'article payé par le consommateur ou l'acheteur d'origine. Certains États et certaines provinces ne permettent pas l'exclusion ni la limitation de dommages accessoires ou consécutifs. Par conséquent, les exclusions ou limitations indiquées ci-dessus peuvent ne pas vous être applicables.

Résidents de la Californie uniquement : Nonobstant les limitations de cette garantie, les restrictions suivantes vous sont applicables; si réparer ou remplacer le produit en question ne s'avère pas rentable pour le revendeur, ce dernier ou Smoke Hollow® remboursera le prix payé d'achat du produit après dépréciation et après déduction d'une somme équivalente à la durée d'utilisation par l'acheteur initial avant la découverte du vice ou de la non-conformité. Le propriétaire peut rapporter le produit au détaillant qui le lui a vendu pour bénéficier des privilèges que lui accorde la présente garantie. Cette garantie expresse vous procure des droits juridiques spécifiques et vous pouvez également bénéficier d'autres droits en fonction de votre lieu de résidence.

**Rendez-vous à [smoke-hollow.com](http://smoke-hollow.com) ou remplissez le formulaire ci-dessous et renvoyez-le à  
Attn: Warranty Registration  
Smoke Hollow®  
5032 Milgen Court | Columbus, GA 31907**

Nom : \_\_\_\_\_ Adresse : \_\_\_\_\_

Ville : \_\_\_\_\_

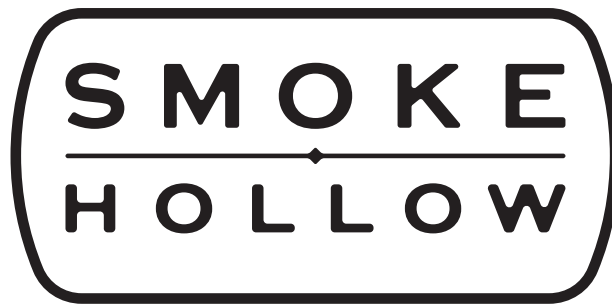
État/Province : \_\_\_\_\_ Code postal : \_\_\_\_\_ Numéro de téléphone : \_\_\_\_\_

Adresse de courriel : \_\_\_\_\_

\*Numéro de modèle : \_\_\_\_\_ \*Numéro de série : \_\_\_\_\_

Date de l'achat : \_\_\_\_\_ - \_\_\_\_\_ - \_\_\_\_\_ Lieu de l'achat : \_\_\_\_\_

**\*Les numéros de série et de modèle se trouvent sur l'étiquette argentée sur le pied du grill.**



## PT300B

### Ahumador de propano para mesa

El manual se aplica a los siguientes números de modelos

SH19032319, SH19032419, SH19032519, SH19032619,  
SH19030819, SH19032719, SH19032819, SH19032919,  
SH19033019

Su número de modelo

Fecha de fabricación - Número de serie

Estos números se ubican en la etiqueta posterior de la unidad.

## IMPORTANTE

Conserve esta información inmediatamente y manténgala en un lugar seguro para uso futuro.



**ESTE ES SU MANUAL DE ENSAMBLAJE,  
CUIDADO Y USO CON INFORMACIÓN IMPORTANTE DE  
ADVERTENCIAS Y SEGURIDAD.**

**CONSERVE ESTAS INSTRUCCIONES.**

Tiempo aproximado de ensamblaje: 20 minutos

Herramientas necesarias para el ensamblaje: Destornillador en cruz Phillips

**SÓLO PARA USO EN EXTERIORES**

ESTE MANUAL DE INSTRUCCIONES CONTIENE INFORMACIÓN IMPORTANTE NECESARIA PARA EL CORRECTO ENSAMBLAJE Y USO SEGURO DE LA PARRILLA. LEA Y SIGA TODAS LAS ADVERTENCIAS E INSTRUCCIONES ANTES DE ENSAMBLAR Y USAR EL ARTEFACTO. SIGA TODAS LAS ADVERTENCIAS E INSTRUCCIONES CUANDO USE LA UNIDAD. CONSERVE ESTE MANUAL PARA REFERENCIA EN EL FUTURO.

## PELIGRO

### SI HUELE GAS:

- APAGUE EL GAS QUE SE DIRIGE AL ARTEFACTO
- APAGUE CUALQUIER LLAMA ABIERTA
- ABRA LA TAPA
- SI EL OLOR CONTINÚA, ALÉJESE DEL APARATO Y LLAME INMEDIATAMENTE A SU PROVEEDOR DE GAS O A SU ESTACIÓN DE BOMBEROS.

**NO SEGUIR ESTAS ADVERTENCIAS E INSTRUCCIONES PUEDE PROVOCAR UN INCENDIO O EXPLOSIÓN, CAUSANDO DAÑO A LA PROPIEDAD, LESIONES PERSONALES O LA MUERTE.**

## PELIGRO

- Nunca opere este artefacto desatendido.
- Nunca opere este artefacto dentro de 25 pies (7.5 m) de cualquier líquido inflamable.
- Nunca deje que el aceite o la grasa se calienten más de 400°F (200°C) o si el aceite comienza a ahumar, apague inmediatamente el quemador o el suministro de gas.
- Si ocurriera un incendio, manténgase alejado del artefacto y llame inmediatamente a su estación de bomberos. No intente apagar un incendio de aceite o grasa con agua.

**NO SEGUIR ESTAS ADVERTENCIAS E INSTRUCCIONES PUEDE PROVOCAR UN INCENDIO O EXPLOSIÓN, CAUSANDO DAÑO A LA PROPIEDAD, LESIONES PERSONALES O LA MUERTE.**

## INDICACIONES DE SEGURIDAD IMPORTANTES

### ADVERTENCIA

- No almacene o use gasolina u otros vapores o líquidos inflamables cerca a este o cualquier otro artefacto.
- Un cilindro de LP no conectado para uso no deberá almacenarse cerca a este o cualquier otro aparato.
- NO use la parrilla de gas para cocción o calefacción en interiores. Los humos tóxicos pueden acumularse y causar asfixia.
- No almacene o use aceite de cocina adicional cerca a este o cualquier otro aparato.
- Esta parrilla debe usarse exclusivamente con gas propano (el cilindro de gas propano no está incluido).
- Nunca intente fijar esta parrilla al sistema de gas propano autocontenido de un remolque, casa rodante o casa.
- Nunca use carbón vegetal o líquido de encendedor con la parrilla a gas.
- No use gasolina, kerosene o alcohol para encender. El cilindro de suministro de gas LP debe estar construido y marcado en conformidad con las especificaciones de cilindros de gas propano del Departamento de Transporte de los EE. UU. (DOT) CFR 49. Esta parrilla no está prevista para ser usada o instalada en vehículos y/o botes recreativos.
- No intente mover la parrilla mientras esté encendida.
- No use la parrilla a menos que esté completamente ensamblada y que todas las partes estén bien aseguradas y ajustadas.
- Mantenga todos los elementos combustibles y superficies al menos a 36 pulgadas (91.4 cm) de distancia de la parrilla en todo momento.



## INDICACIONES DE SEGURIDAD IMPORTANTES



- NO use esta parrilla o cualquier producto de gas cerca de construcciones combustibles desprotegidas.
- No intente mover la parrilla mientras esté encendida.
- NO almacene cilindros de repuesto de gas LP bajo o cerca de este artefacto. Podría ocurrir un incendio que cause la muerte o lesiones graves.
- No toque las partes de metal de la parrilla hasta que se haya enfriado completamente (unos 45 minutos) para evitar quemaduras, a menos que esté usando implementos de protección (guantes de barbacoa, sujetadores de ollas, etc.)
- No modifique esta parrilla de ninguna forma.
- Nunca conserve un contenedor lleno en un auto o cajuela recalentados. El calor hará que la presión del gas aumente, lo que podría hacer que la válvula de alivio se abra, dejando que el gas se escape.
- Mantenga el compartimiento de la válvula de la parrilla, los quemadores y las vías de aire de circulación limpios. Inspeccione la parrilla antes de cada uso.
- Esta parrilla es solamente para uso en exteriores, y no debe usarse dentro de un edificio, garaje u otra área cerrada.
- El uso de alcohol, medicamentos con receta o medicamentos sin receta pueden obstaculizar la habilidad del operador de ensamblar u operar correctamente la parrilla.
- Siempre abra la tapa de la parrilla lenta y cuidadosamente ya que el calor y vapor atrapados dentro de la parrilla pueden quemarlo gravemente. Mantenga a los niños y mascotas lejos de la parrilla en todo momento.
- No use la parrilla cuando haya fuertes vientos.
- Nunca pliegue o transporte la parrilla cuando el cilindro de LP está enganchado.
- En caso de un incendio de aceite o grasa, no intente extinguirlo con agua. Llame inmediatamente a la estación de bomberos. En ciertos casos, un extintor tipo BC o ABC puede contener el incendio.
- Este artefacto no es para uso comercial.

### **▲ PELIGRO**

EL GAS LICUADO DE PROPANO (LP) ES INFLAMABLE Y PELIGROSO SI SE MANEJA INDEBIDAMENTE. CONOZCA SUS CARACTERÍSTICAS ANTES DE USAR CUALQUIER PRODUCTO DE PROPANO.

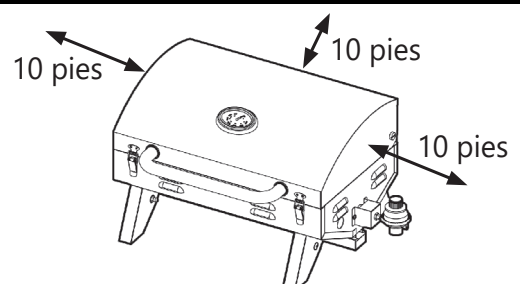
- Características del propano: Inflamable, explosivo bajo presión, más pesado que el aire y se asienta en piscinas y zonas bajas.
- En su estado natural, el propano no tiene olor. Para su seguridad, se le ha añadido un olor.
- El contacto con el propano puede causar quemaduras de congelamiento en la piel.
- Esta parrilla se despacha desde la fábrica sólo para uso con gas propano.
- Nunca use un cilindro de propano si el cuerpo, válvula, anillo o patas están dañados.
- Nunca rellene un cilindro de 1 lb.
- Los cilindros dentados u oxidados pueden ser peligrosos y los debe revisar su proveedor de gas propano.

PARA QUE SE PUEDA USAR CON ESTA PARRILLA DE GAS DE LP, EL CILINDRO DE GAS DE LP DEBE CUMPLIR CON LOS SIGUIENTES REQUISITOS:

- Capacidad de 1 lb.
- Construido y marcado en conformidad con las especificaciones de cilindros de gas propano del Departamento de Transporte de los EE. UU. (DOT) o la Norma Nacional de Canadá, CAN\CSA-B339, sobre cilindros, esferas y tubo para el transporte de artículos peligrosos; y la Comisión, según corresponda (Ver anillo de marcado) Marcado con "Propano".
- Debe venir equipado con un dispositivo de conexión del cilindro que sea compatible con la conexión de la parrilla.

## Recomendaciones de proximidad estructural y uso seguro

**RECORDATORIO:** Mantenga una distancia mínima de 10 pies (3 m) de la parte trasera, lateral y superior del ahumador con construcciones aéreas, paredes, rieles u otras construcciones combustibles. Este despeje ofrece un espacio adecuado para una adecuada combustión, circulación del aire y ventilación.





## ***Felicitaciones***

por comprar su nueva

Parrilla para mesa de gas LP Smoke Hollow®.

Con la correcta instalación, operación y mantenimiento, este artefacto le ofrecerá años de deliciosa comida y disfrute al cocinar.

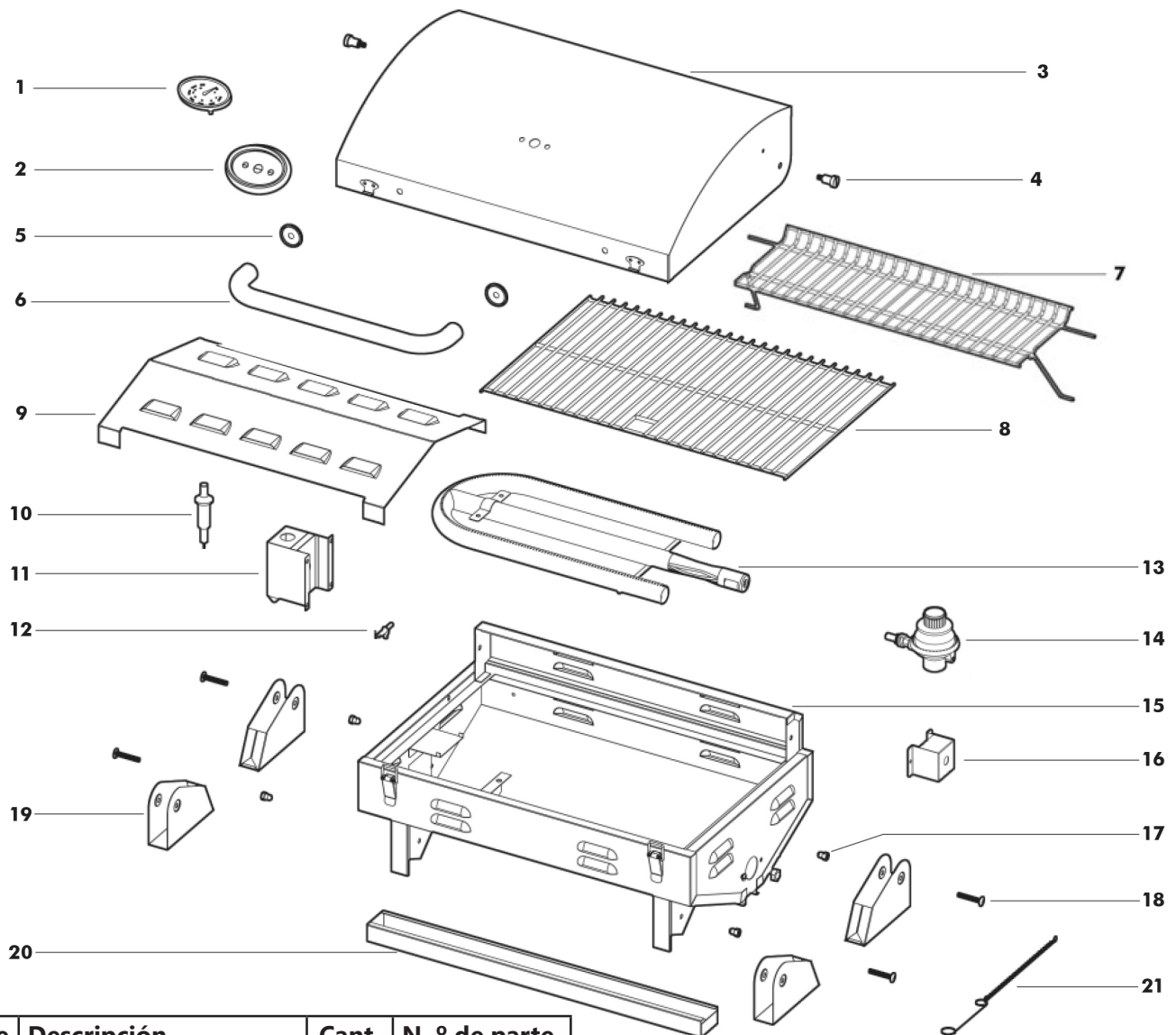
### **IMPORTANTE**

Cuando desempaque su parrilla, retire todas las partes y el material de embalaje de la caja y de dentro de la parrilla. Asegúrese de tener todos los elementos de la lista de partes. Verifique cuidadosamente la unidad y asegúrese que no presente daños.

SI TIENE ALGÚN PROBLEMA CON ESTE PRODUCTO O SI HAY PARTES AUSENTES O DAÑADAS, LLAME AL SERVICIO DE ASISTENCIA AL CLIENTE LLAMADA GRATUITA 1-866-475-5180.

NOTA: NO DEVUELVA LA UNIDAD A LA TIENDA ANTES DE LLAMAR AL NÚMERO DE LLAMADA GRATUITA. No elimine los cartones hasta que esté completamente satisfecho con su nueva parrilla Smoke Hollow®.

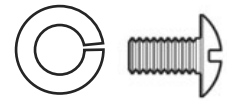
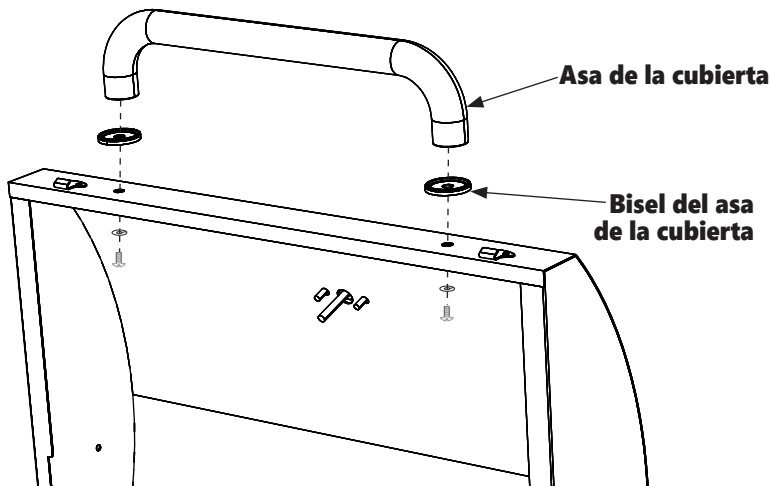
# Lista de partes y herramientas



Clave	Descripción	Cant.	N.º de parte
1	Termómetro	1	205-1
2	Bisel del termómetro	1	205-2
3	Cubierta	1	205-3
4	Pin del pivote de la cubierta	2	205-4
5	Bisel del asa de la cubierta	2	205-5
6	Asa de la cubierta	1	205-6
7	Rejilla de calentamiento	1	205-7
8	Rejilla de cocción	1	205-8
9	Cubierta de calor	1	SST18L-6
10	Arrancador piezoeléctrico	1	205-10
11	Carcasa del arrancador	1	SST18L-1
12	Electrodo (cable no mostrado)	1	SST18L-2
13	Quemador	1	SST18L-3
14	Regulador/Válvula	1	SST18L-4
15	Fogón de la parrilla	1	205-15
16	Carcasa del regulador	1	SST18L-5
17	Tuerca de la pata	4	205-17
18	Perno de la pata	4	205-18
19	Leg	4	205-19
20	Bandeja de goteo	1	205-20
21	Sujetador de fósforos	1	205-21
	Hardware Pack	1	205-HDWR

# Ensamblaje de la parrilla

## 1. Ensamblaje del asa de la cubierta

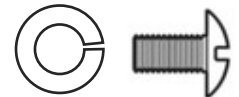
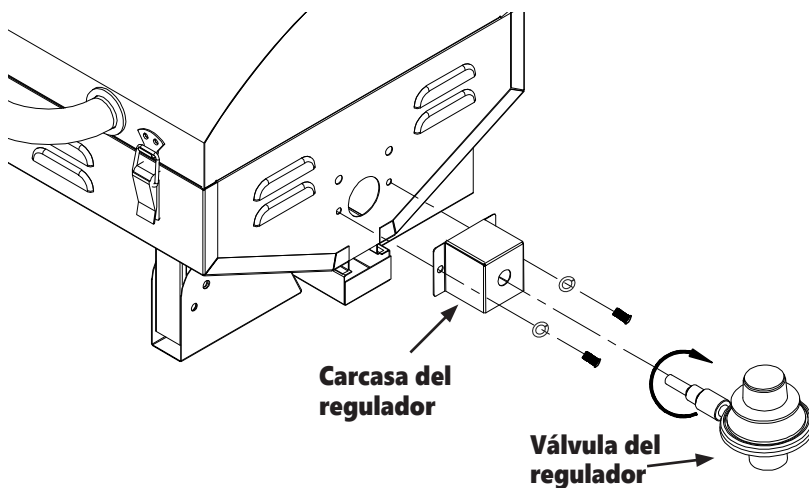


Set de pernos de 1/4-20 x .50" (2 pzas.)

### Instrucciones:

Coloque un bisel del asa entre cada extremo del asa y la cubierta de la parrilla, e inserte un perno de 1/4-20 x .50" con arandela a través de la parte interior de la cubierta hacia cada extremo del asa. Ajuste los pernos.

## 2. Ensamblaje del regulador/carcasa de la válvula

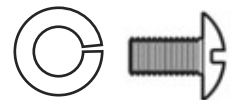
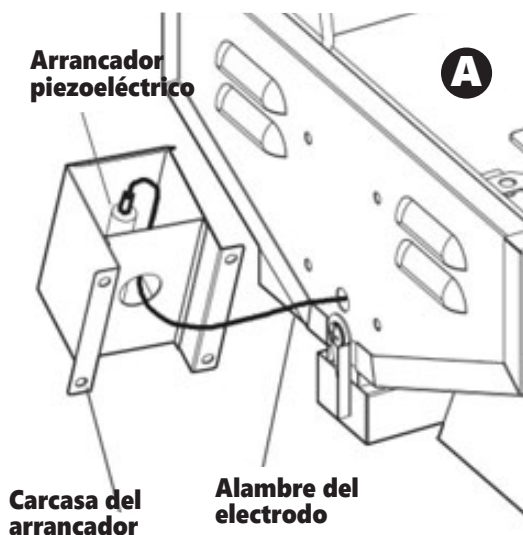


Set de pernos de 5/32 x .31" (2 pzas.)

### Instrucciones:

Alinee los orificios en la carcasa del regulador con los orificios roscados en la campana de la parrilla e inserte dos pernos de 5/32 x .31" con arandelas a través de los orificios de la carcasa en los orificios roscados en la cámara de combustión. Ajuste los pernos firmemente. Entornille la válvula del regulador en el orificio roscado de la carcasa del regulador hasta que esté firme.

## 3. Ensamblaje de la carcasa del arrancador



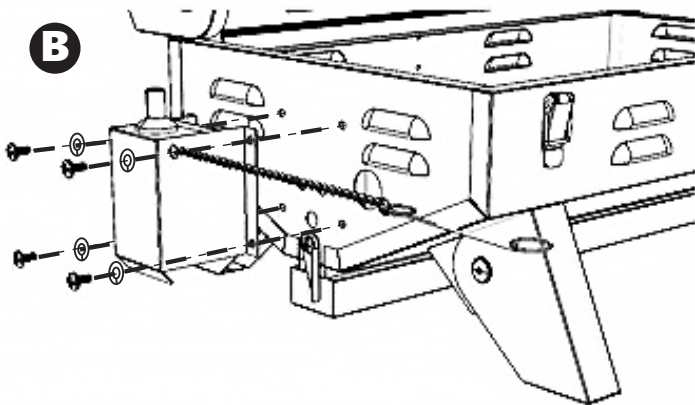
Set de pernos de 5/32 x .31" (4 pzas.)

### Instrucciones:

**A.** Enrosque el alambre del electrodo a través del orificio en la carcasa del arrancador y fije el extremo en el pin en la parte inferior del arrancador piezoeléctrico.

El ensamblaje continúa en la próxima página.

# Ensamblaje de la parrilla



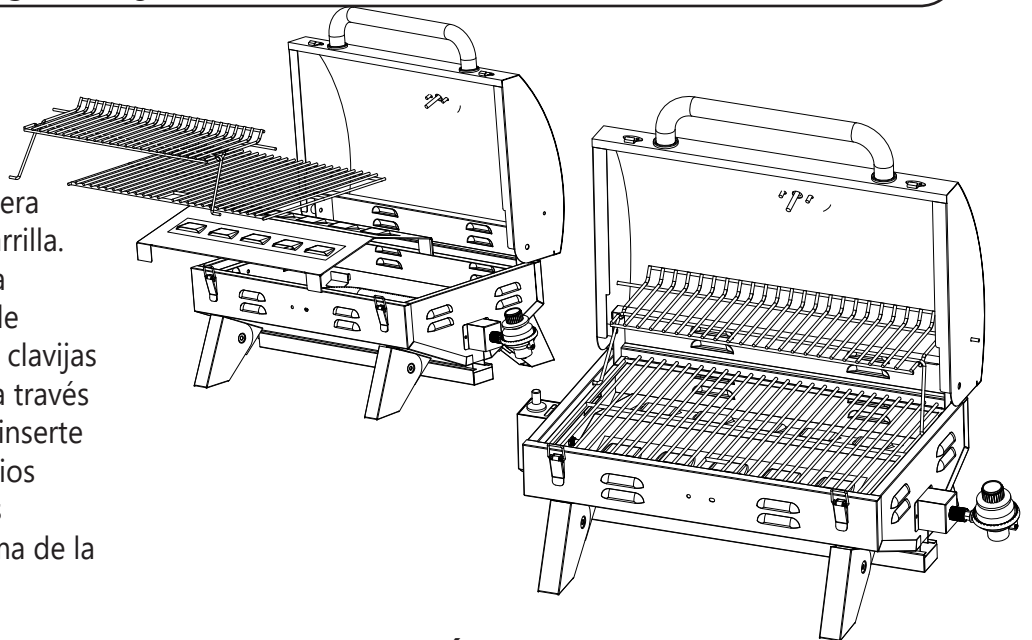
## Instrucciones:

**B.** Alinee los orificios en la carcasa del encendedor con los orificios roscados en el extremo del tazón de fuego. Inserte cuatro pernos de 5/32 x .31" con arandelas a través de la carcasa en los orificios roscados. Cuando instale el cuarto perno, insértelo primero a través del anillo en el extremo de la cadena del sujetador de fósforos y luego a través de la carcasa y hacia el extremo del fogón. Ajuste los pernos firmemente.

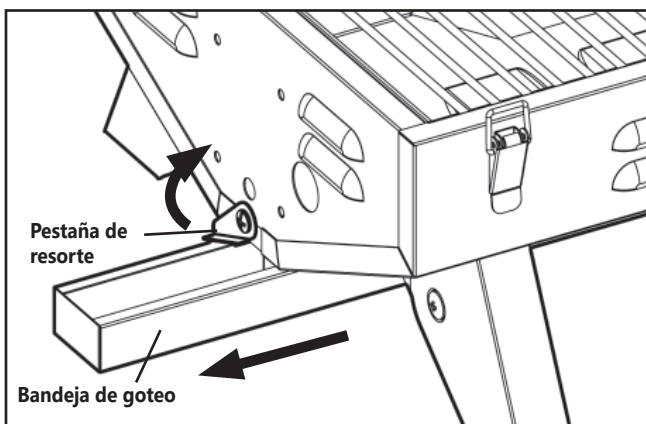
## 4. Ensamblaje de la cubierta de calor, la rejilla de cocción y la rejilla de calentamiento

### Instrucciones:

Instale el protector de calor en la parrilla. Las lengüetas del protector de calor deben estar fuera de las pestañas ubicadas en la parrilla. Coloque la rejilla de cocción en la parrilla. Finalmente, fije la rejilla de calentamiento insertando las dos clavijas en la parte posterior de la rejilla a través de los orificios de la tapa. Luego inserte las clavijas de la pata en los orificios ubicados a lo largo de los bordes laterales de la parrilla, justo encima de la rejilla de cocción.



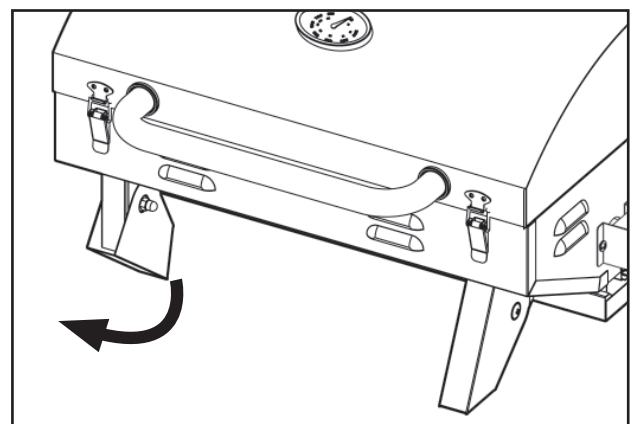
**EL ENSAMBLAJE DE SU PARRILLA ESTÁ AHORA COMPLETO. PARA SU SEGURIDAD, SIGA TODAS LAS SALVAGUARDAS E INSTRUCCIONES.**



### Acceso de la bandeja de goteo:

A la bandeja de goteo se puede acceder para limpiarla, girando la pestaña de resorte y deslizando la bandeja hacia afuera desde abajo de la parrilla.

NOTA: Aquí se muestra sin la carcasa del arrancador para mayor claridad.



### Pasa uso en la mesa:

Despliegue las patas, como se muestra y coloque la parrilla sobre una superficie nivelada. Cuando las patas estén completamente desplegadas, saltarán a la posición de abierto. Las marcas en las patas les ayuda a permanecer en su posición. Para cerrar, simplemente aplique presión suficiente para superar el ajuste con fricción.

# Antes de usar su parrilla de gas LP

## Códigos de instalación

### ⚠ ADVERTENCIA ⚠

Para reducir el riesgo de lesión corporal grave o muerte por incendio o explosión:

- Esta instalación debe estar conforme con los códigos locales o, en ausencia de los códigos locales, con el Código nacional de gas combustible, el Código de instalación de propano y gas natural ANSI Z223.1/NFPA 54, CSA B149.1 o el Código de manejo y almacenamiento de propano, B149.2.
- Si se utiliza una fuente eléctrica externa, cuando se instale el artefacto de cocción para exteriores, éste debe ser puesto a tierra eléctricamente, en conformidad con los códigos locales o en ausencia de ellos, con los Códigos eléctricos nacionales, ANSI/NFPA 70 o el Código eléctrico canadiense CSA C22.1.
- Mantenga la manguera de suministro de combustible lejos de cualquier superficie calentada.

## Seleccione un lugar

### ⚠ ADVERTENCIA ⚠

Para reducir el riesgo de lesión corporal grave o muerte por incendio o explosión:

- Use este artefacto de cocción en exteriores solo al aire libre y nunca dentro de un edificio, garaje, pasillo, terraza techada, porche o cualquier área encerrada. Ubique el artefacto de exteriores en un área con buena ventilación, sobre una superficie estable y donde no haya material combustible e inflamable.
- Ubique su parrilla de gas LP al menos a 10 pies de su casa o edificio.
- Mantenga espacios libres mínimos de 10 pies desde la parte posterior y lateral de la parrilla hasta cualquier construcción combustible.
- No ubique este artefacto bajo ninguna construcción combustible aérea desprotegida.
- Este artefacto de cocción para exteriores no ha de usarse en botes ni de instalarse en vehículos recreativos.
- Nunca use la parrilla a gas como un calefactor de espacios.

## Realice una prueba de fugas

### ⚠ ADVERTENCIA ⚠

- Realice una prueba de fugas antes de encender su parrilla por primera vez.
- Realice una prueba de fugas si se cambia algún componente del gas.
- Realice una prueba de fugas después de viajar, especialmente por caminos ásperos e irregulares.
- Realice una prueba de fugas al menos una vez por temporada.
- Realice una prueba de fugas luego de un período de almacenamiento prolongado o no uso.
- Realice una prueba de fugas en un área bien ventilada.
- Nunca use una llama abierta para probar fugas de gas.
- Nunca ahúme cerca de la parrilla durante una prueba de fugas.
- No realice una prueba de fugas en una parrilla mientras esté caliente o en uso.
- No use la parrilla de gas si detecta una fuga de gas que no puede corregirse usando los procedimientos de prueba de fugas.

# Antes de usar su parrilla de gas LP

## Precauciones de seguridad durante la instalación

- Use solamente cilindros desechables de 1 lb. (16.4 oz) (Cilindro DOT39) que tenga 7-3/8 pulg. de alto (no incluido).
- Solo los cilindros marcados con "propano" deben usarse. El cilindro debe estar desconectado cuando el artefacto no está en uso.
- Se debe usar el regulador de presión suministrado con el artefacto.
- Los reguladores de presión de reemplazo deben ser aquéllos especificados por el fabricante.
- El sistema de suministro por cilindros debe ser ajustado para el retiro del vapor.
- No almacene cilindros de repuesto de gas LP bajo o cerca de este artefacto.
- Si las instrucciones no se siguen con exactitud, podría ocurrir un incendio que cause la muerte o lesiones graves.

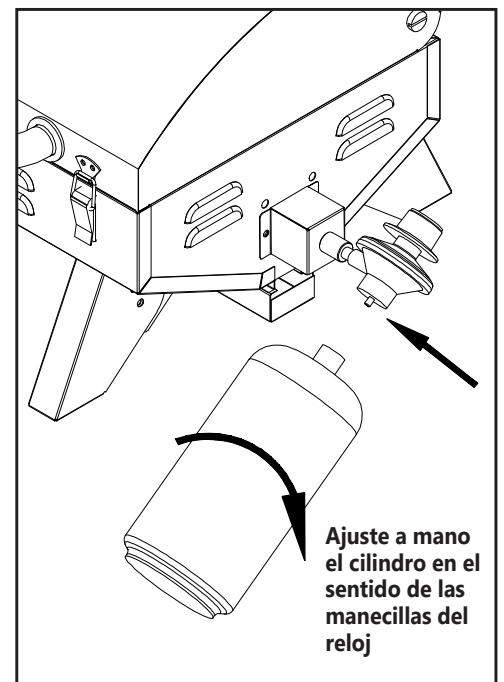
## Conexión del cilindro de gas LP

1. Compre un cilindro de gas LP de 1 lb. en su distribuidor local.
2. Gire la perilla del regulador a la posición de OFF.
3. Retire la tapa protectora de la abertura del regulador. Retire la tapa de plástico de la parte superior del cilindro de propano. Guarde la tapa del cilindro para su reemplazo en el cilindro si queda gas en el cilindro luego de su uso.
4. Inserte el cilindro de gas LP de 1 lb. en el orificio roscado en el lado inferior del regulador. Gire el cilindro en el sentido de las manecillas del reloj hasta que esté bien asentado. Ajuste solamente a mano.
5. Para un rendimiento óptimo, deje que el cilindro cuelgue verticalmente del borde de la mesa cuando no haya peligro de que ser golpeado o afectado.

**NOTA: NUNCA PLIEGUE NI TRANSPORTE LA PARRILLA CON EL CILINDRO FIJADO.**

## Desconexión del cilindro de gas LP

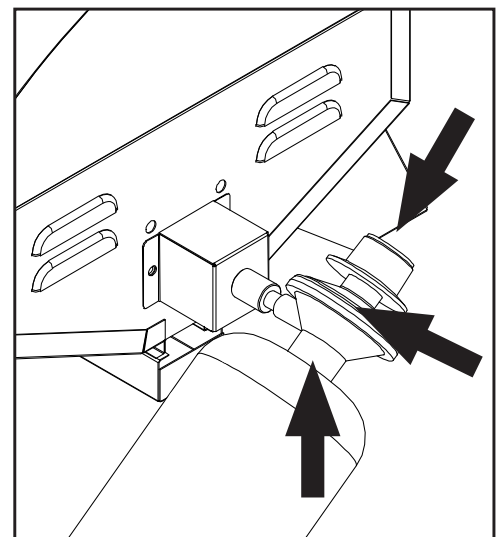
1. Gire la perilla del regulador a la posición de OFF.
2. Retire el cilindro girando en el sentido opuesto de las manecillas del reloj.
3. Reemplace la tapa protectora sobre la abertura del regulador. Reemplace la tapa de plástico en la parte superior del cilindro de propano para su almacenamiento si no está vacío.
4. Guarde el cilindro en exteriores y lejos de la parrilla.



## Cómo realizar una prueba de fugas - "PRIMER USO"

### SUMINISTROS NECESARIOS:

- Brocha de pintar limpia, agua, detergente para lavar platos líquido y un tazón o lata vacío
1. Asegúrese que la perilla del regulador esté en la posición de "OFF" y verifique que el cilindro de gas LP esté bien fijado al regulador.
  2. Mezcle una parte de agua con una parte de detergente para lavar platos líquido.
  3. Esparza la mezcla con la brocha sobre el regulador, el cilindro de propano y la conexión según lo indicado en las flechas de la figura a continuación. Si se observan burbujas, hay una fuga de aire.
  4. Si la fuga aparece en la conexión del regulador/cilindro, repita el procedimiento de instalación del cilindro, pero no ajuste demasiado. (NOTA: Solo ajuste a mano). Repita la prueba de fugas.
    - A. Si la fuga proviene del cilindro de gas o si la fuga no puede detenerse, retire el cilindro y NO USE LA PARRILLA. Llame al Servicio de asistencia al cliente al: 1-866-475-5180. Asegúrese de tener a la mano el número de modelo y el número de serie de la parrilla, los que están impresos en la etiqueta, ubicados en la parte interna de la pata trasera. Si necesita un repuesto bajo garantía, tendrá que presentar una prueba de compra.



## Encendido de la parrilla

### ⚠ ADVERTENCIA ⚠

Para reducir el riesgo de lesión corporal grave o muerte por incendio o explosión:

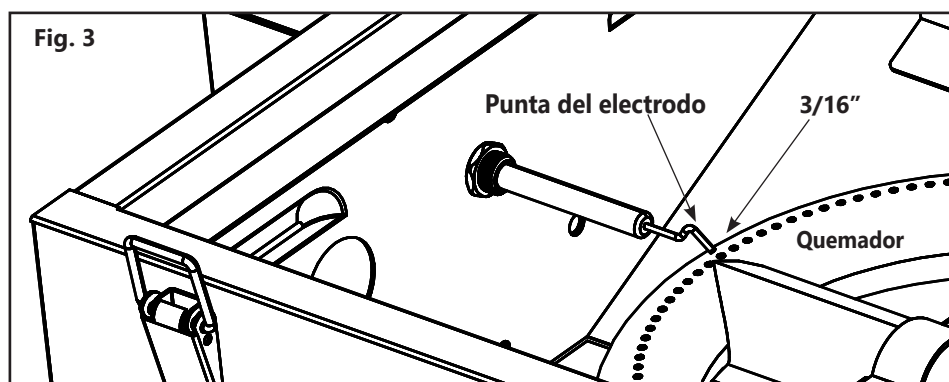
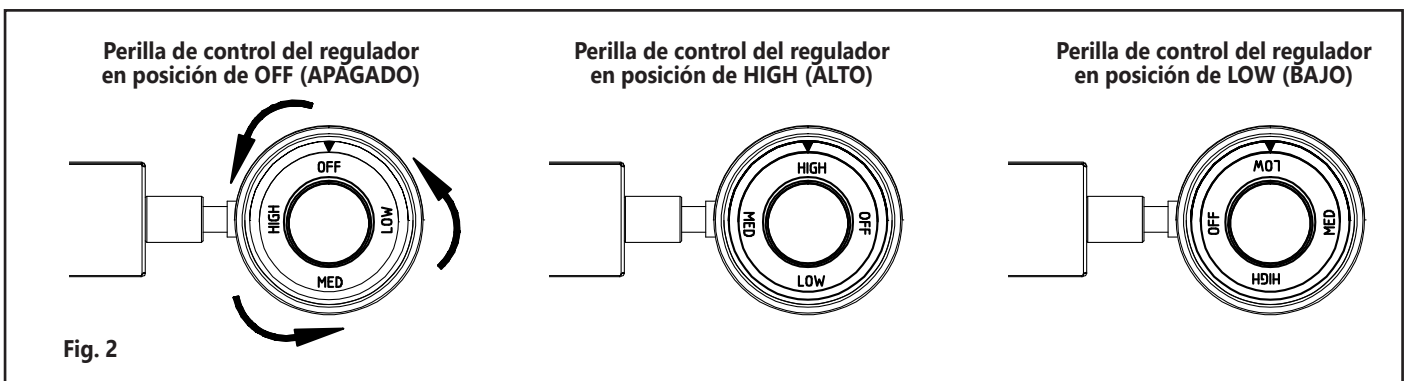
- Abra la cubierta antes de encender la parrilla para liberar el gas atrapado.
- Durante los intentos de encendido fallidos o si el quemador se apaga durante la operación, gire la perilla de control a "OFF" para disipar cualquier cantidad de gas acumulada. Espere cinco minutos antes de repetir los procedimientos de encendido.

1. Abra la cubierta.
2. Presione la perilla del regulador hacia adentro y gírela 270 grados (o 3/4 de giro) en el sentido opuesto a las manecillas del reloj a la posición de High-Alto (Fig. 2). Note la marca indicadora triangular en la carcasa del regulador plateada.
3. Presione el botón del arrancador hacia adentro hasta que se encienda el quemador. Escuche el sonido de "clic" que es el que indica el encendido de la chispa y observe para asegurarse que el quemador está encendido.

Si el quemador se apaga durante la operación, gire la perilla del regulador a la posición de OFF. Abra la cubierta y espere 5 minutos antes de intentar volver a encender la parrilla para permitir que cualquier cantidad de gas acumulado que haya, se disipe.

Si el quemador no se enciende luego de cuatro intentos, gire la perilla del regulador a la posición de "OFF" para permitir que cualquier cantidad de gas acumulado que haya, se disipe. Verifique la chispa del arrancador presionando el botón de encendido y observando la punta del arrancador. Si no hay chispa alguna, ajuste el espacio entre la punta del electrodo y el quemador a 3/16" (Fig. 3). Si todavía no hay chispa, consulte la **Sección de detección y solución de problemas**

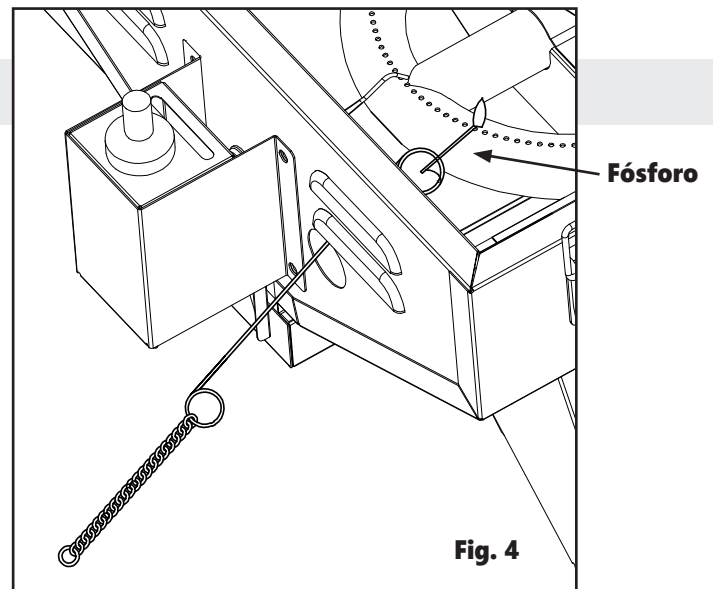
Espere cinco minutos; luego repita los procedimientos de encendido. El quemador también puede encenderse manualmente, consulte el **Encendido manual de la parrilla** en la página siguiente. Si nota que su quemador está poniéndose cada vez más difícil de encender o si a llama no está tan caliente como alguna vez lo fue, consulte "**Cómo limpiar su quemador**" para retirar cualquier posible obstrucción.



## Encendido manual de la parrilla

1. Abra la cubierta. **IMPORTANTE:** Asegúrese que la perilla del regulador esté en "OFF".
2. Mientras sostiene un fósforo, encienda el quemador (Fig. 4), presione la perilla del regulador hacia adentro y gírela 270 grados (o 3/4 de giro) en el sentido opuesto a las manecillas del reloj hasta la posición de High (Alto).

Si el quemador se apaga durante la operación, gire la perilla del regulador a la posición de OFF. Abra la cubierta y espere 5 minutos antes de intentar volver a encender la parrilla para permitir que cualquier cantidad de gas acumulado que haya, se disipe.



## Verifique la llama

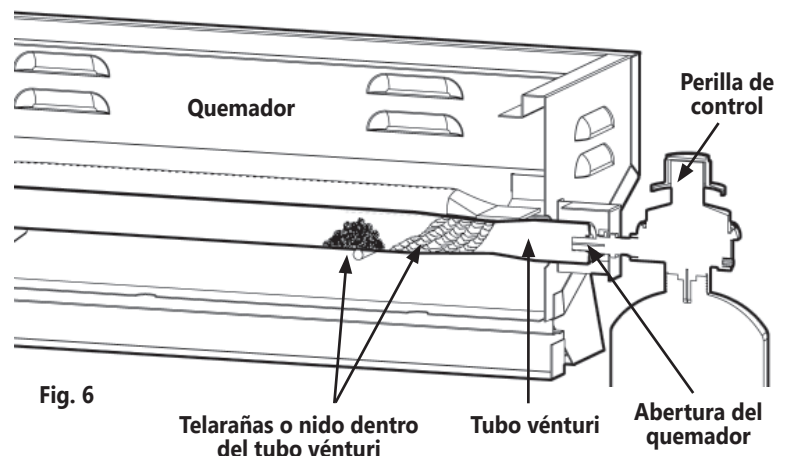
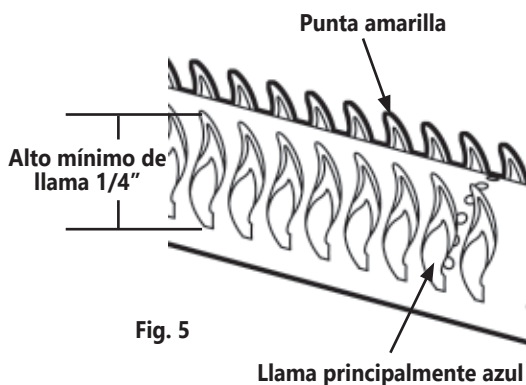
### ⚠ ADVERTENCIA ⚠

Para reducir el riesgo de muerte o lesiones graves por una explosión o incendio:

- Inspeccione y limpie con regularidad el quemador/tubo vénturi en busca de insectos o nidos de insectos, especialmente luego de largos períodos de almacenamiento. Las arañas o insectos pequeños pueden construir nidos, telarañas y depositar huevos en el tubo vénturi de la parrilla, obstruyendo el flujo de gas al quemador. (Fig. 6) El gas atrapado puede arder y ocasionar un incendio. Esto se conoce como "retroceso de la llama".
- Asegúrese que el quemador esté reinstalado adecuadamente antes de usar la parrilla.

El quemador ha sido preconfigurado por el fabricante para un rendimiento óptimo de la llama. Un llama azul, posiblemente con una pequeña punta amarilla, es el resultado de una mezcla óptima de aire y gas. (Fig. 5)

Verifique la llama antes de cada sesión de cocción y durante toda la temporada parrillera. Verifique la llama, especialmente después de largos períodos de almacenamiento de la parrilla. Tome en cuenta que la altura mínima de la llama debe ser de 1/4". Si la llama es de color significativamente amarilla, la cantidad apropiada de gas LP en la mezcla de ares/gas LP no es correcta. Esto podría deberse a un quemador bloqueado por goteos de grasa o por insectos que construyen un nido dentro del quemador o de la abertura del quemador, Si nota que su quemador está poniéndose cada vez más difícil de encender o si a llama no está tan caliente como alguna vez lo fue, consulte la sección "**Cómo limpiar su quemador**" para retirar cualquier posible obstrucción.



# Cocinando en la parrilla a gas

## ⚠️ ADVERTENCIA ⚠️

Para reducir el riesgo de lesiones personales graves o muerte por incendio, explosión o peligro de quemadura:

- Nunca use carbón vegetal o líquido de encendedor en su parrilla a gas. Mantenga esta área de cocción en exteriores despejada y libre de materiales combustibles, gasolina y otros vapores y líquidos inflamables.
- Mantenga cualquier cable de suministro eléctrico y la manguera del regulador lejos de cualquier superficie calentada.
- Asegúrese que no haya fugas de gas u obstrucciones al flujo de la combustión y al aire de la ventilación antes de cada uso.
- Siempre abra la cubierta antes de encender la parrilla a gas LP.
- No intente apagar un incendio de grasa con agua u otros líquidos. Tenga a la mano un extintor BC o ABC. Nunca sofoque o rocíe la parrilla o las superficies de cocción con agua cuando estén calientes. Podrían ocurrir quemaduras de grasa o salpicaduras de agua.
- Si su parrilla a gas se incendia:
  - Si el incendio está en la porción de la parrilla y usted puede alcanzar con seguridad la parrilla del regulador, entonces gírela a la posición de "OFF".
  - Si el incendio envuelve al cilindro de gas LP, déjelo solo, evacúe el área y llame a la estación de bomberos.
  - Si hay algún tipo de incendio que amenace ya sea la seguridad personal o que ponga en peligro la propiedad, llame a la estación de bomberos.
- No use la parrilla sin la bandeja de goteo en su lugar. Verifique la bandeja de goteo para asegurarse que no hay acumulaciones. Vacíe el exceso de grasa antes de cada uso para reducir el riesgo de un incendio de grasa en la bandeja de goteo.
- No coloque contenedores de aceite o grasa encima o cerca de la parrilla.
- No opere una parrilla a gas si sabe o sospecha que tiene una fuga de gas.
- No deje la parrilla desatendida.
- No use ropa suelta (colas de camisa sueltas, ropa con hilachas, etc.) alrededor de una parrilla a gas mientras esté en uso o caliente.
- No recueste su cuerpo sobre la parrilla a gas cuando la encienda o mientras esté en uso o caliente.
- No toque las superficies calientes. Use guantes resistentes al calor, tenazas de mango largo o mitones para cocinar en todo momento, ya que la parrilla se pondrá muy caliente. Abra la cubierta cuidadosamente cuando cocine para evitar quemaduras del aire y vapor caliente atrapados dentro.
- No deje que los niños operen o jueguen cerca de una parrilla a gas. Mantenga a los niños, animales y demás personas lejos del área de la parrilla.
- No mueva una parrilla a gas LP cuando esté en uso o caliente.
- Cuando la parrilla no esté en uso, apague completamente la perilla del regulador y desconecte el cilindro de gas LP.
- No cubra más de la mitad (50%) del área de cocción si está usando placas de cocción a la plancha. La cobertura total del área de cocción causará un sobrecalentamiento por debajo de las placas.
- No deje ningún accesorio o utensilio de cocina sobre una superficies de cocción caliente.

Para reducir el riesgo de lesión por quemaduras debido al despliegue de llamas o al aire/vapor caliente atrapado, abra la cubierta cuidadosamente.

## Cocinando con la parrilla (Cocción directa en las rejillas)

Los alimentos se cocinan directamente sobre la fuente de calor. El quemador calienta la cubierta de calor bajo la rejilla de cocción, lo que a su vez calienta los alimentos de la parrilla. Al cocinar, los jugos naturales de los alimentos caen sobre la cubierta de calor caliente que está debajo y se vaporizan. El humo que se eleva, remoja los alimentos, dándoles ese sabor único a barbacoa.

Use el método de cocción directa para los alimentos que se tardan menos de 25 minutos en cocinarse: bistecs, chuletas, brochetas, salchichas y otros. Estos alimentos deben voltearse una vez a la mitad de la cocción del tiempo total.

Para sellar carnes, colóquelas sobre el calor directo alto por 2 a 5 minutos por lado. Los pedazos más pequeños requieren un menor tiempo de sellado. Las hamburguesas, bistecs, chuletas, pechugas de pollo y cortes más grandes de carne se benefician con el sellado. Generalmente después del sellado, se termina de cocinar los alimentos a una temperatura menor.

Para la cocción directa, precaliente la parrilla por 10 minutos con el quemador en "High" (alto). Coloque los alimentos en la rejilla de cocción y luego ajuste el quemador a la temperatura requerida. Cierre la cubierta y levántela solo para darle la vuelta a los alimentos o para probar si ya están cocidos al final del tiempo de cocción recomendado.

## Control de estallidos:

Los estallidos son parte de las carnes que se están cocinando sobre una parrilla. Esto añade un sabor único a barbacoa a los alimentos. Sin embargo, los estallidos excesivos pueden sobrecocinar sus alimentos y crear una situación peligrosa para usted y su parrilla. Los estallidos excesivos pueden ser el de grandes cantidades de grasa en los alimentos que se están cocinando o la acumulación de grasa en la parrilla. Si se producen estallidos excesivos, NO vierta agua sobre las llamas. Esto podría hacer que la grasa salpique, causando quemaduras o daños corporales graves. Si ocurre un incendio de grasa, apague el quemador hasta que la grasa arda del todo. Para evitar o minimizar los estallidos, recorte todo el exceso de grasa o piel de las carnes antes de asarlas y mantenga la parrilla y la bandeja de goteo limpias y sin exceso de grasa.

## Fin de la sesión de cocción

### ⚠ ADVERTENCIA ⚠

Para reducir el riesgo de muerte o lesiones graves por peligro de incendio o quemadura:

- Deje que la parrilla y la grasa de la bandeja de goteo se enfríen completamente antes de vaciar, limpiar, mover o guardar la parrilla.
- Vacíe la bandeja de goteo después de cada sesión de cocción para que la grasa no se acumule.

1. Luego de cada sesión de cocción, cierre la cubierta y ponga el quemador en la posición de "High" (alto) y déjelo arder por 5 minutos. Esto quemará algo de los residuos de la cocción, facilitando la limpieza.
2. Cuando haya terminado de usar su parrilla, gire la perilla del regulador en el sentido de las manecillas del reloj, hasta la posición de "Off".
3. Retire el cilindro de propano y reemplace la tapa protectora sobre la abertura del regulador. Reemplace la tapa de plástico en la parte superior del cilindro de propano para su almacenamiento si no está vacío.
4. Guarde el cilindro en exteriores y lejos de la parrilla.
5. Espere hasta que la parrilla esté fría al tacto antes de cerrar la cubierta, limpiar, almacenar o transportar.
6. Limpie su parrilla de gas LP entre usos y después de largos períodos de almacenamiento. Para mantener la condición y extender la vida útil de su parrilla, la unidad debe estar cubierta cuando la guarde.

## Almacenamiento y transporte

### ⚠ ADVERTENCIA ⚠

No coloque la parrilla en modo de almacenamiento o de viaje inmediatamente después de su uso. Permita que la parrilla se enfríe al tacto antes de moverla o guardarla. Si no lo hace, podría producirse un incendio que podría dañar la propiedad, o producir lesiones personales o la muerte.

1. Desconecte el cilindro de gas LP de la parrilla y guárdelo afuera, en un área seca y bien ventilada, lejos de cualquier fuente de calor o ignición. Vuelva a tapar la válvula del cilindro de gas LP con la tapa de seguridad.
2. Cubra la abertura del regulador con la tapa de plástico suministrada junto con la parrilla.
3. Si guarda la parrilla o antes de un período prolongado de no usarla, retire el quemador y envuélvalo con papel de aluminio para reducir el riesgo de que ingresen insectos por los orificios del quemador. La rejilla de cocción y la cubierta de calor también pueden envolverse en papel de aluminio.
4. Guarde la parrilla dentro sólo si el cilindro de gas LP está desconectado de la parrilla a gas y si se almacena en exteriores.
5. Antes del siguiente uso, retire el papel de aluminio y vuelva a instalar el quemador, la cubierta de calor y la rejilla de cocción.
6. Antes de usar la parrilla luego de períodos de almacenamiento sin usar (es decir, durante el invierno), revise su parrilla a gas LP en busca de fugas de gas, deterioro, ensamblaje inadecuado y obstrucciones del quemador.
7. Verifique periódicamente y ajuste todas las tuercas, pernos y tornillos en la parrilla.

# Cuidado y mantenimiento

Se recomienda:

- Inspeccionar y hacer mantenimiento a este artefacto anualmente, a cargo de una persona de servicio calificada.
- Verificar con regularidad que el área del artefacto de cocción en exteriores esté despejada y libre de materiales combustibles, gasolina y otros vapores y líquidos inflamables.
- Verificar con regularidad que el flujo de combustión y el aire de ventilación no estén obstruidos.
- Verificar con regularidad que las aberturas de ventilación de la carcasa del cilindro (compartimiento) no tenga escombros.
- Verificar con regularidad y limpiar el quemador/los tubos de vénturi en busca de insectos y nidos de insectos. Un tubo obstruido puede conllevar a un incendio debajo de la parrilla.

**⚠ PRECAUCIÓN:** Algunas partes pueden contener bordes filosos. Use guantes de protección e ser necesario.

## Limpieza de la parrilla

### Bandeja de goteo:

Retire la bandeja de goteo que está debajo del tazón de la parrilla luego que éste se ha enfriado completamente. Raspe los residuos de alimentos y de grasa de la bandeja de goteo. Vacíe y lave la bandeja de goteo con agua caliente jabonosa y un paño.

### Cuerpo de la parrilla:

Retire el exceso de grasa con un raspador suave de plástico o de madera. No use lana de acero u otros limpiadores abrasivos que puedan arañar las superficies pintadas, revestidas en porcelana o de acero inoxidable. No es necesario retirar toda la grasa del cuerpo. Cuando la parrilla está fría, límpiela con toallas de papel o con un paño húmedo suave. En las parrillas pintadas, si aparece óxido, límpielo y pula el área afectada con lana de acero. Retoque el metal al natural con una pintura resistente a altas temperaturas, especificada para parrillas de barbacoa. Siga las instrucciones de uso del fabricante.

### Rejilla de cocción/Cubierta de calor:

Limpie los residuos con una solución de agua y bicarbonato de sodio. Para manchas difíciles de remover, use un polvo desengrasador no abrasivo. No use lana de acero u otros limpiadores abrasivos que puedan arañar las superficies pintadas, revestidas en porcelana o de acero inoxidable. Esto puede hacer que los alimentos se peguen a las rejillas de cocción.

### Para la limpieza de lo demás:

Para limpiar más partes, use agua caliente jabonosa y un paño o simplemente un cepillo de nylon con cerdas. No sumerja los controles del gas en el agua. (Evite que el agua ingrese en los orificios del quemador).

### Quemador:

Quemar los residuos luego de cocinar, mantendrá el quemador limpio con el uso normal, siempre y cuando el quemador esté funcionando correctamente. Limpie el quemador una vez al año o cuando encuentre gran acumulación, para asegurarse que no haya señales de bloqueo (escombros, insectos) en las incisiones del quemador, el ingreso de aire principal o el cuello del quemador. Vea **Cómo limpiar el quemador**.

## Cómo limpiar los quemadores

1. Asegúrese que la perilla del regulador esté en "OFF", que la parrilla se haya enfriado completamente y que el cilindro de propano haya sido retirado.
2. Retire cuidadosamente la rejilla de cocción y la cubierta de calor.
3. Para retirar el quemador, retire primero los pernos que aseguran el quemador a su abrazadera de soporte.
4. Deslice el quemador del tubo hacia la izquierda para que el extremo del quemador esté fuera de la boquilla de la válvula y dentro del fogón. Levante el extremo del vénturi del quemador hacia arriba primero y luego deslice el quemador hacia afuera desde la parte inferior del electrodo.
5. Use un limpiador de pipas para despejar los nidos de insectos de escombros desde el orificio de ingreso del quemador principal.
6. Abra los orificios del quemador con una uña o alambre pequeño. Use un cepillo no metálico para retirar las partículas de alimentos y la corrosión de las superficies del quemador.
7. Verifique el electrodo para ver si está suelto. Si lo está, ajuste el tornillo que sostiene el electrodo para mantener un espacio de 3/16" (0.47 cm) entre la punta del electrodo y el quemador. NOTA: Antes del próximo paso, podría limpiar el resto de la parrilla. Consulte la sección "**Limpieza de la parrilla**".
8. Luego de la limpieza, reacomode el quemador. Si se va a guardar la parrilla, los quemadores deben ir envueltos en una cubierta protectora como el papel de aluminio o fil de plástico para ayudar a mantener fuera a los insectos. NOTA: Cuando reacomode el quemador, asegúrese que esté posicionado correctamente. La boquilla de la válvula debe sobresalir dentro del extremo del vénturi del quemador. Reemplace los pernos que fijan la brida del quemador a su abrazadera.
9. Realice una prueba de fugas y verifique el funcionamiento del quemador luego del reensamblaje.
10. Reemplace la cubierta de calor y la rejilla de cocción.

# DetECCIÓN Y SOLUCIÓN DE PROBLEMAS

Problema	Causa posible	Solución
Fuga de gas desde el cilindro de gas LP	Falla mecánica debido a óxido o mala manipulación	Reemplace el cilindro de gas LP
Fuga de gas entre el cilindro de gas LP y la conexión del regulador	Instalación inapropiada, conexión no firme, falla en el sellado del cilindro de gas LP	Reemplace el cilindro de gas LP. Reinstálelo correctamente y ajuste. Reemplace el cilindro si está dañado. Consulte las secciones de "Prueba de fugas" y " <b>Conexión del regulador al cilindro de gas LP</b> ".
Incendio de grasa o llamas excesivas por encima de la superficie de cocción	Demasiada acumulación de grasa en la sección del quemador	Apague la perilla del regulador y retire el cilindro de gas LP. Una vez que el fuego se ha apagado y la parrilla se ha enfriado, limpie las partículas residuales de alimentos y el exceso de grasa desde la parte interna del área del fogón, la taza de grasa y otras superficies.
Retroceso de la llama (fuego dentro o alrededor de los tubos venturi)	Tubo venturi obstruido o bloqueado	Si puede llegar con seguridad a la perilla del regulador, gírela a la posición de "OFF" y luego retire el cilindro de gas LP. Una vez que la parrilla se ha enfriado, limpie el quemador y los tubos venturi. Vea la sección " <b>Cómo limpiar los quemadores</b> ".
Los quemadores no se encienden usando la ignición	Los quemadores no están ensamblados correctamente	Vea el reensamblaje después de la limpieza en " <b>Cuidado y mantenimiento</b> ".
	No presiona el arrancador dentro lo suficiente para generar una chispa	Presione la perilla del regulador hacia adentro y gírela en el sentido opuesto a las manecillas del reloj, hasta la posición de "High" (alto). Deje de presionar el botón del arrancador hasta que se escuche un sonido de "clic" fuerte. Repita hasta que el quemador se encienda.
	No hay chispa: fuera de lugar, suelto o roto	1. La punta del electrodo está doblada (forma un espacio demasiado grande o pequeño entre el electrodo y el quemador). Doble la punta del electrodo de regreso hasta obtener un espacio de 3/16" (0.47 cm) hasta el quemador. (Pg. 42) 2. Ajuste los tornillos de montaje del electrodo. 3. Reemplace el ensamblaje de alambre/electrodo del arrancador. (Llame al Dpto. de atención al cliente).
	El cilindro de gas LP está vacío	Compre un nuevo cilindro de gas de 1 lb.
	El cilindro LP no está completamente fijado al regulador	Ajuste el cilindro a mano. No use herramientas.
	Hay obstrucciones en los quemadores.	Vea " <b>Cómo limpiar los quemadores</b> " en <b>Cuidado y mantenimiento</b> .
	Electrodos y quemadores mojados	Deje que el electrodo se seque al aire, séquelo con un paño limpio o con una secadora.
	El alambre está suelto o desconectado	Reconecte el alambre.
Los quemadores no se encienden usando un fósforo	Los quemadores no están ensamblados correctamente.	Vea el reensamblaje después de la limpieza en " <b>Cuidado y mantenimiento</b> ".
	El cilindro de gas LP está vacío	Compre un nuevo cilindro de gas de 1 lb.
	El cilindro LP no está completamente fijado al regulador	Ajuste el cilindro a mano. No use herramientas.
	Hay obstrucciones en los quemadores.	Vea " <b>Cómo limpiar los quemadores</b> " en <b>Cuidado y mantenimiento</b> .
Llama baja o calor bajo	El gas LP en el cilindro de gas LP está bajo	Compre un nuevo cilindro de gas de 1 lb.
Las llamas se apagan con el aire	Fuertes ráfagas o vientos.	Voltee la parte frontal de la parrilla para darle la cara al viento o aumente la altura de la llama.
	El gas en el cilindro LP está bajo.	Compre un nuevo cilindro de gas de 1 lb.
Estallido	Acumulación de grasa.	Limpie la parrilla.
	Exceso de grasa en la carne.	Corte la grasa de la carne antes de cocinarla a la parrilla.
Incendio persistente de grasa	Hay grasa atrapada alrededor del sistema del quemador.	Gire la perilla del regulador a "OFF" y luego retire el cilindro de gas LP. Abra la cubierta cuidadosamente y deje que el fuego arda hasta apagarse. Luego que la parrilla se haya enfriado, retire y limpie todas las partes.

Si su problema no se resuelve a partir de la información proporcionada anteriormente, llame al Servicio de atención al cliente al 1-866-475-5180. Si necesita un repuesto bajo garantía, tendrá que presentar una prueba de compra.

## Garantía limitada por 1 año de Smoke Hollow®

Smoke Hollow® garantiza que sus productos no presentan defectos de fabricación, ni de material ni de la mano de obra, si se los ensambla correctamente, se los utiliza de forma normal y se los cuida según las recomendaciones, durante un período de 1 año a partir de la fecha de compra original. La garantía de Smoke Hollow® no cubre el acabado de la pintura ya que puede salirse durante el uso normal. La garantía de Smoke Hollow® no cubre la oxidación. Smoke Hollow® requiere el comprobante de compra para hacer un reclamo de la garantía, como por ejemplo, un recibo. Después de la fecha de vencimiento de la garantía, finalizarán todas las responsabilidades.

Durante el período de vigencia establecido de la garantía, Smoke Hollow®, a su criterio, reemplazará los componentes defectuosos sin costo alguno, debiendo hacerse responsable el propietario de los gastos de envío. Si Smoke Hollow® requiere la devolución del o los componentes en cuestión para su inspección, Smoke Hollow® será responsable de todos los cargos de envío para devolver el artículo solicitado. Esta garantía excluye los daños ocasionados a la propiedad por el mal uso, abuso, los accidentes, o los daños causados por el transporte.

Esta garantía expresa es la única garantía entregada por Smoke Hollow® y reemplaza a todas las demás garantías, expresas o implícitas, incluidas las garantías implícitas de comercialización o idoneidad para cualquier fin en particular. Ni Smoke Hollow® ni el establecimiento minorista que ofrece este producto, tienen autoridad alguna para otorgar garantías o prometer otros recursos que sean adicionales o inconsistentes con los establecidos previamente. La responsabilidad máxima de Smoke Hollow®, en todos los casos, no superará el precio de compra del producto que el cliente o comprador original pagó. Algunos estados no permiten la exclusión o limitación de daños accidentales o resultantes. En dicho caso, no se aplicarán las exclusiones o limitaciones anteriores.

Solo para residentes de California: A pesar de esta limitación de garantía, se aplican las siguientes restricciones específicas; si el mantenimiento, la reparación o el reemplazo del producto no se puede realizar comercialmente, el establecimiento minorista que ofrece el producto o Smoke Hollow® devolverá el monto original de la compra del producto, menos el monto directamente atribuible al uso por parte del comprador original antes de informar su disconformidad. El propietario puede llevar el producto al establecimiento minorista que lo ofrece a fin de obtener la ejecución de cualquier obligación en virtud de esta garantía. Esta garantía expresa le otorga derechos legales específicos, y es posible que también tenga otros derechos que varían de un estado a otro.

**Visite [smoke-hollow.com](http://smoke-hollow.com) o llene el formulario a continuación y devuélvalo a:**

**A la atención de: Registro de garantía**

**Smoke Hollow®**

**5032 Milgen Court | Columbus, GA 31907**

Nombre: \_\_\_\_\_ Dirección: \_\_\_\_\_

Ciudad: \_\_\_\_\_

Estado/Provincia: \_\_\_\_\_ Código postal: \_\_\_\_\_ Teléfono: \_\_\_\_\_

Dirección de e-mail: \_\_\_\_\_

\*Número del modelo: \_\_\_\_\_ \*Número de serie: \_\_\_\_\_

Fecha de compra: \_\_\_\_\_ - \_\_\_\_\_ - \_\_\_\_\_ Lugar de compra: \_\_\_\_\_

**\*El número de modelo y número de serie se encuentran en la etiqueta plateada en la pata de la parrilla.**









**Customer Service | Service à la clientèle | Servicio de atención al cliente**

[SMOKE-HOLLOW.COM/CONTACT-SUPPORT](https://www.smoke-hollow.com/contact-support)

**Toll Free / Sans frais / Número gratuito: 1-866-475-5180**

Monday – Friday | 8:00am-5:00pm EST

Du lundi au vendredi | de 8 h à 17 h, heure de l'Est

Lunes a viernes | 8:00am-5:00pm EST

5032 Milgen Court | Columbus, GA 31907

**WWW.SMOKE-HOLLOW.COM**