

INSTALLATION INFORMATION

This section of the manual covers some of the installation issues that a service technician may need to know when servicing a Wolf Gas Cooktop. If additional installation information is needed after reviewing this section of the manual, please refer to the Installation Guide or contact the Wolf Appliance Customer Service Department.

Electrical Requirements:

- 110-120 volts AC, 60 Hertz, 15 amp fused electrical supply.
- “**ICB ONLY**” 220-240 VAC, 50/60 Hz, 15 amp fused electrical supply.
- A timed-delay fuse or circuit breaker is recommended.
- Separate circuit serving only this appliance.
- Installation site must be equipped with a properly grounded 3-prong receptacle.

This appliance when installed must be properly grounded. This appliance is equipped with a 3-prong (grounding) plug. The power cord must be plugged into a mating 3-prong ground-type receptacle. (See Figure 3-1). If a mating receptacle is not available, it is the obligation of the customer to have a properly grounded, 3-prong receptacle installed by a qualified electrician.

If the electric receptacle or the power cord are not properly grounded and polarized, a shock hazard could exist and the appliance may experience ignition problems.

⚠ WARNING

- **A SHOCK HAZARD COULD EXIST IF THE ELECTRIC RECEPTACLE OR THE POWER CORD ARE NOT PROPERLY GROUNDED AND POLARIZED.**
- **TO AVOID SHOCK HAZARD, NEVER REMOVE THE GROUNDING PRONG FROM THE PLUG OF THE POWER SUPPLY CORD.**

⚠ CAUTION

The appliance may experience ignition problems if not properly grounded and polarized.

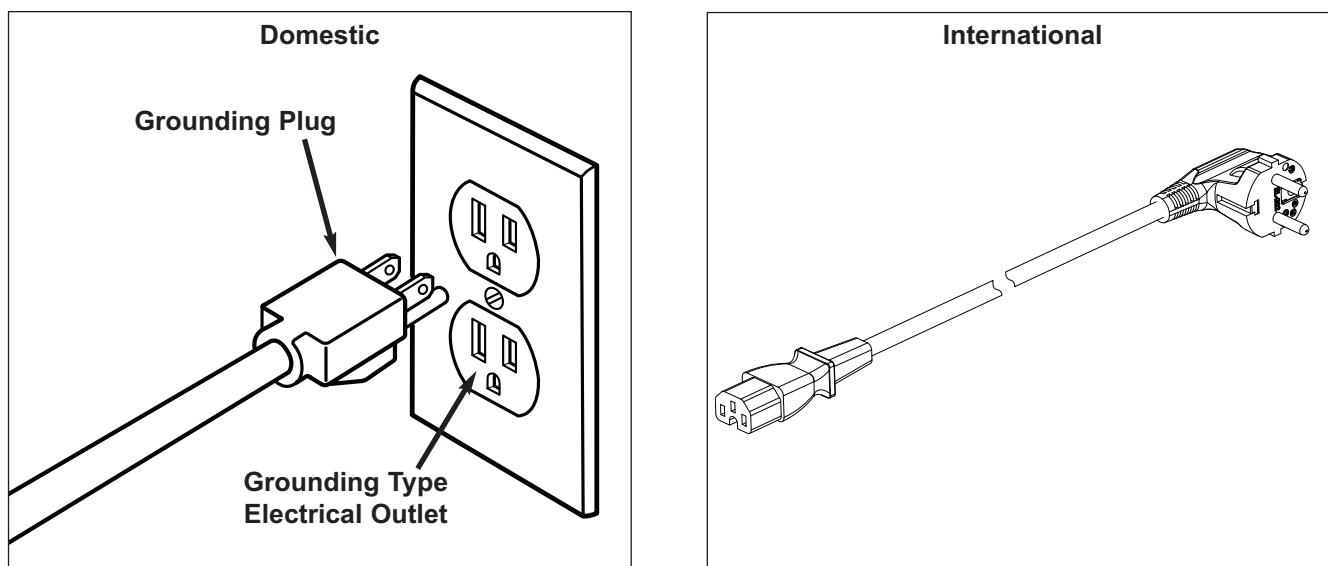


Fig. 3-1. Power Supply Cord

Gas Requirements:

NOTE: All Wolf gas appliances are manufactured to work with natural gas or LP gas (Liquid Propane gas).

Natural Gas Manifold Pressure

Standard natural gas orifices on the appliance are set for 5" WC (Water Column Pressure).

Liquid Propane Manifold Pressure

The standard propane gas orifices on the appliance are set for 10" WC (Water Column Pressure).

Gas Supply Line Size

- 1/2 inch

Gas Supply Pressure for Domestic Units

- Maximum line pressure for natural gas and LP is 14" WC; 1/2 psi (3.5 kPa).
- Minimum line pressure for natural gas is 7" WC.
- Minimum line pressure for LP gas is 11" WC.

ICB units are CE certified for the following gas type and pressure:

- I3P – G31 at 37 mbar
- I2E – G20 at 20 mbar
- I2E+ – G20/25 at 20/25 mbar
- I2H – G20 at 20 mbar

Gas Pressure Regulator (Domestic Models Only)

To control and maintain a uniform gas pressure in the gas manifold, Wolf gas appliances must be connected to the gas supply line through a pressure regulator. The burner orifices are sized for the pressure delivered by the regulator. Never attempt to operate a Wolf gas appliance without the use of the proper pressure regulator.

* **NOTE:** ICB units do not utilize a gas regulator.

⚠ CAUTION

The maximum gas supply pressure to the regulator should never exceed 14" WC (Water Column Pressure); 1/2 psi (3.5kPa)

Gas Shut-off Valve

The supply line must be equipped with an approved shut-off valve. This valve should be located in accordance to all national, local codes and ordinances. (See Figure 3-2).

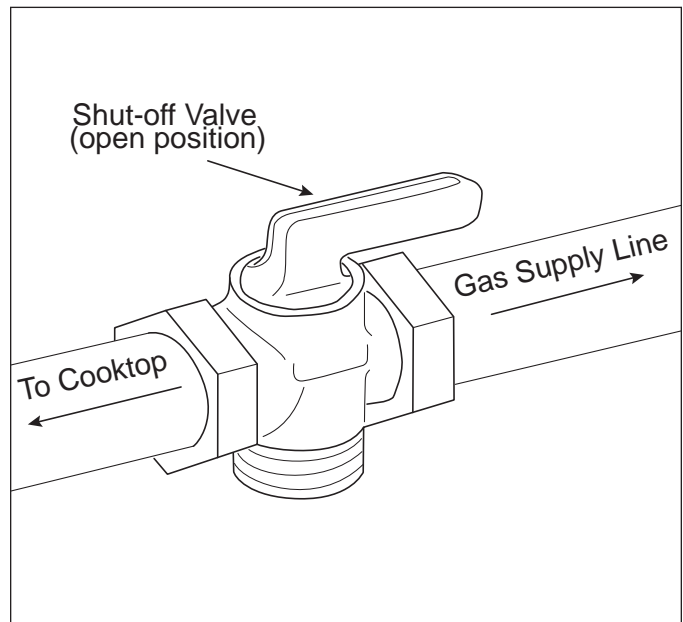


Fig. 3-2. Shut-off Valve

Leak Testing

⚠ WARNING

NEVER USE OPEN FLAMES TO CHECK FOR GAS LEAKS. ONLY USE A LEAK TESTING SOLUTION OF SOAPY WATER OR AN ELECTRONIC LEAK DETECTOR. DO NOT USE LIQUID NEAR VALVE STEMS.

15" AND 30" GAS COOKTOP INSTALLATION DIMENSIONS

Area Requirements:

Note: Countertop opening dimensions that are shown must be used. Given dimensions provide required clearances.

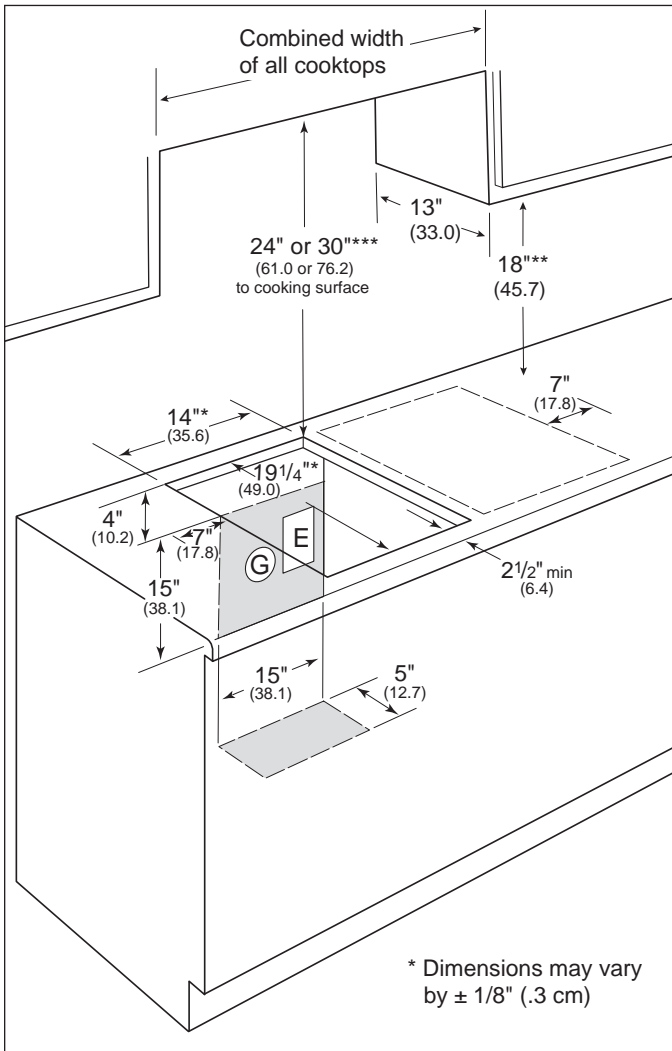


Fig. 3-3. 15" Installation Dimensions

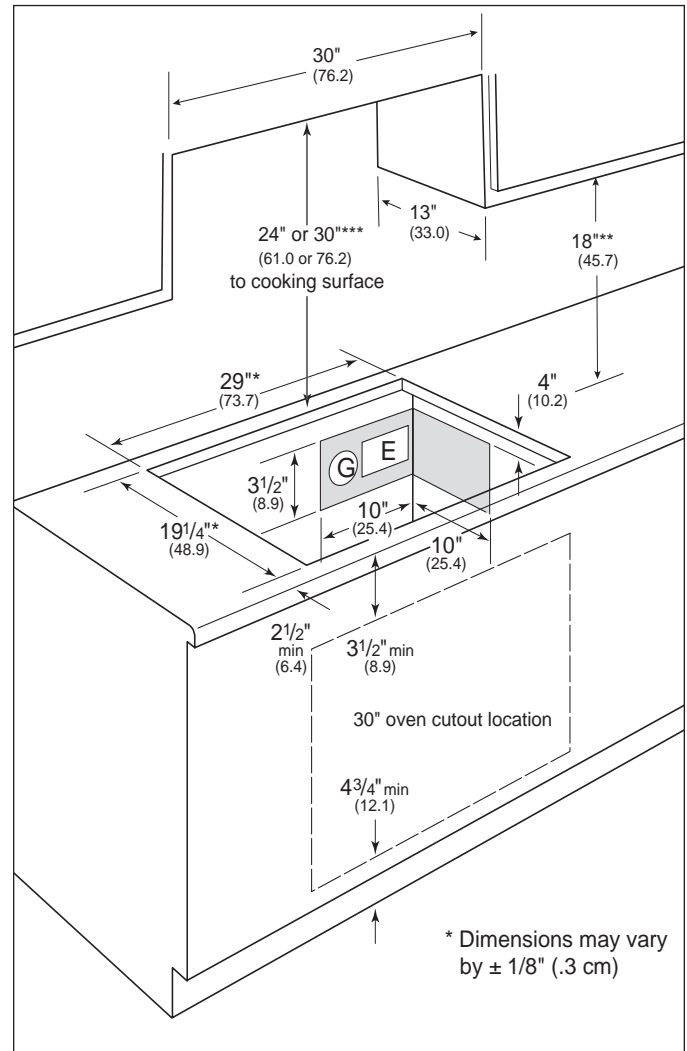


Fig. 3-4. 30" Installation Dimensions

- ** 18" (45.7cm) minimum clearance upper cabinet to countertop within 7" (17.8cm) minimum side clearance to combustible surface above countertop.
- *** 24" (61cm) minimum clearance between top of cooking surface and bottom of wood or metal cabinet which is protected by not less than 1/4" (.6cm) flame retardant millboard covered with not less than No. 28 MSG sheet steel, .015" (.04cm) stainless steel, or .024" (.06cm) aluminum or .02" (.05cm) copper.
- *** 30" (76.2) minimum clearance between top of cooking surface and bottom of an unprotected wood or metal cabinet.

Note: Do not seal cooktop to countertop.

36" GAS COOKTOP INSTALLATION DIMENSIONS

Area Requirements:

Note: Countertop opening dimensions that are shown must be used. Given dimensions provide required clearances.

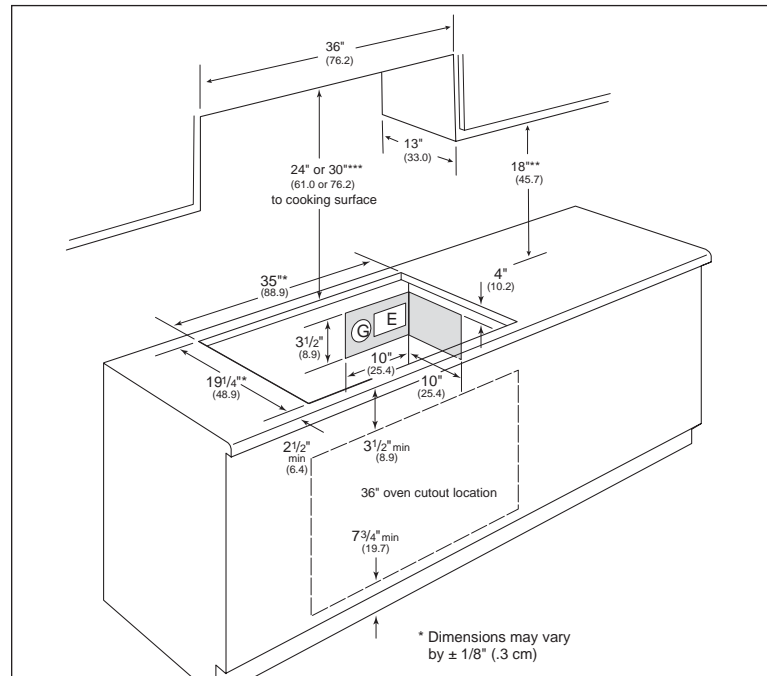


Fig. 3-5. 36" Installation Dimensions

- ** 18" (45.7cm) minimum clearance upper cabinet to countertop within 7" (17.8cm) minimum side clearance to combustible surface above countertop.
- *** 24" (61cm) minimum clearance between top of cooking surface and bottom of wood or metal cabinet which is protected by not less than 1/4" (.6cm) flame retardant millboard covered with not less than No. 28 MSG sheet steel, .015" (.04cm) stainless steel, or .024" (.06cm) aluminum or .02" (.05cm) copper.
- *** 30" (76.2) minimum clearance between top of cooking surface and bottom of an unprotected wood or metal cabinet.

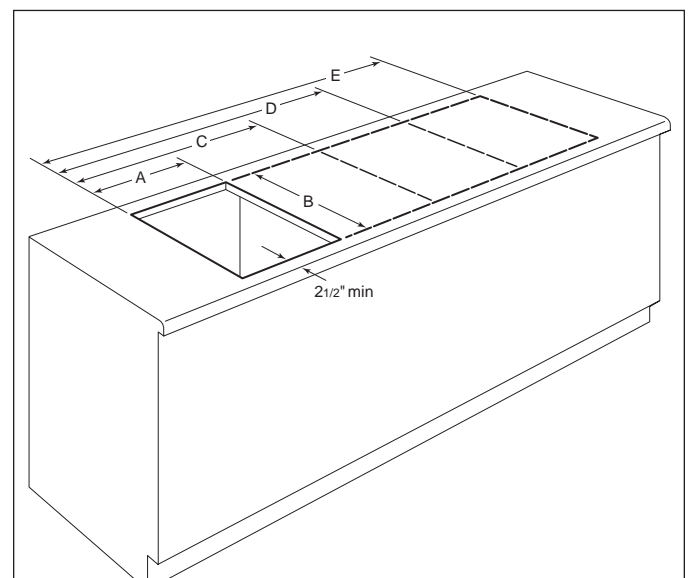
Note: Do not seal cooktop to countertop.

Installation of Multiple Units

Integrated units can be installed together or with 30" or 36" cooktops. Where multiple units are installed side-by-side, the cut out dimensions are added together. Then add an additional space of 1-1/4" to each unit, to get the total cutout width. (See Figure 3-7).

Cut-out Dimensions

- A Width of single module
- B Depth of module
- C Combined width of two modules plus 1-1/4"
- D Combined width of three modules plus 2-1/2"
- E Combined width of four modules plus 3-3/4"



INSTALLATION PROCEDURE

- Insert cooktop into countertop opening and center cooktop. Check that front edge of cooktop is parallel to front edge of countertop. Check that all required clearances are met.
- Use a pencil to outline rear of cooktop on countertop. Then remove cooktop from countertop.
- Apply foam strip around bottom of burner box flush with edge. (See Figure 3-8).
- Reinsert cooktop into countertop opening. Check that cooktop is parallel to front edge of countertop. Lift entire cooktop to make adjustments, aligning with pencil line.
- Attach brackets to burner box. Insert clamping screws into brackets. Use a screw driver to tighten clamping screws against underside of countertop. (See Figure 3-8).

Note: Do not overtighten screws.

- Install pressure regulator with arrow on regulator pointing up towards unit and in a position where you can reach the access cap. (See Figure 3-9).

* **NOTE:** ICB units do not utilize a gas regulator.

- Assemble flexible metal connector from gas supply pipe to pressure regulator. (See Figure 3-10).

- Use a pipe-joint compound made for natural and LP gas. If a flexible connector is used, be certain the tubing is not kinked.

Note: All connections must be wrench tightened. Do not make connections to regulator too tight. Making connections too tight could crack pressure regulator. Do not allow regulator to turn on pipe when tightening fittings.

- Open shut-off valve in supply line. Wait a few minutes for gas to move through line.
- Leak testing of appliance shall be conducted accordingly using a soapy water solution or an electronic leak detector.

* **NOTE:** ICB units require an electrical gas shut off valve that must be energized before gas will flow to burners.

⚠ WARNING
NEVER USE OPEN FLAMES TO CHECK FOR GAS LEAKS. ONLY USE A LEAK TESTING SOLUTION OF SOAPY WATER OR AN ELECTRONIC LEAK DETECTOR. DO NOT USE LIQUID NEAR VALVE STEMS.

⚠ CAUTION
The maximum gas supply pressure to the regulator should never exceed 14" WC (Water Column Pressure); 1/2 psi (3.5kPa)

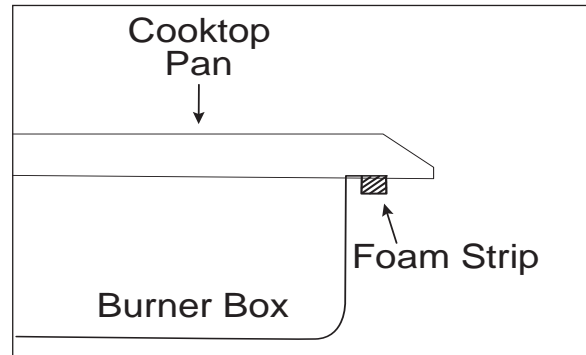


Fig. 3-8. Foam Strip

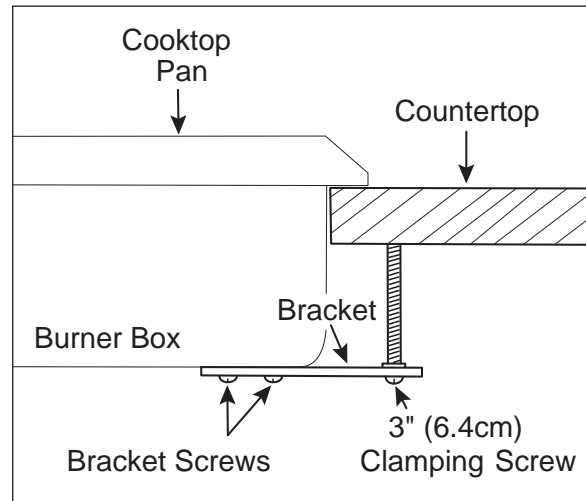


Fig. 3-9. Holding Clamp

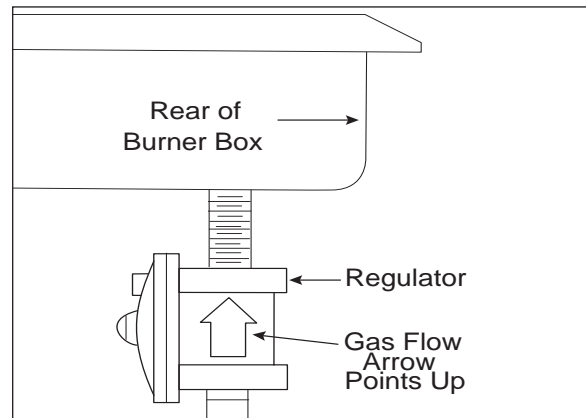


Fig. 3-10. Regulator Flow Arrow

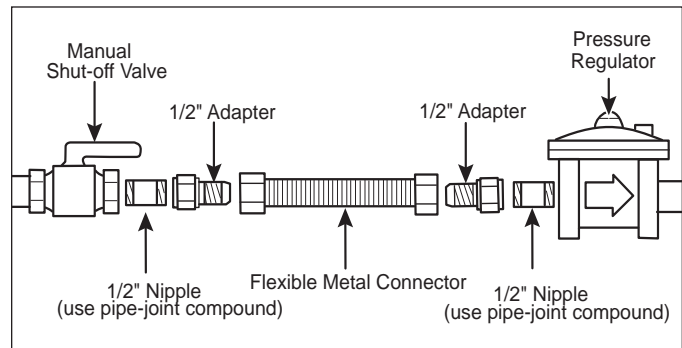


Fig. 3-11. Gas Connection

FILLER STRIP INSTALLATION PROCEDURE

These instructions contain procedural information to install the Integrated Filler Strip Kit into countertop installations.

1. Locate center of Filler Strip Bracket (2) at required distance from cooktop cutout edge.
2. Position Filler Strip Bracket (2) so that top surface is flush with counter top. You may need a straight edge to assist in locating bracket at correct height.
3. Mark center of elongated slots of Filler Strip Bracket (2) on front and rear of cooktop cutout.
4. Using a 3/32" drill bit, drill a 3/4" deep pilot hole for the #6/32 (3) mounting screws.
5. Secure Filler Strip Bracket (2) to counter top.

⚠ WARNING

PLEASE CONSULT WITH THE COUNTERTOP MANUFACTURER/INSTALLER FOR THE PROPER METHOD OF INSTALLING SCREWS INTO THE INSIDE EDGE OF THE COUNTERTOP. DAMAGE MAY OCCUR IF THE PROPER METHODS ARE NOT USED.

6. Install all cooktops into corresponding openings.
7. Position Filler Strip (1) into Filler Strip Bracket (2) and install three #10-24 nuts (4), but do not tighten.
8. Align and adjust cooktops and filler strips in countertop opening and then tighten cooktop hold down clamps and filler strip nuts.

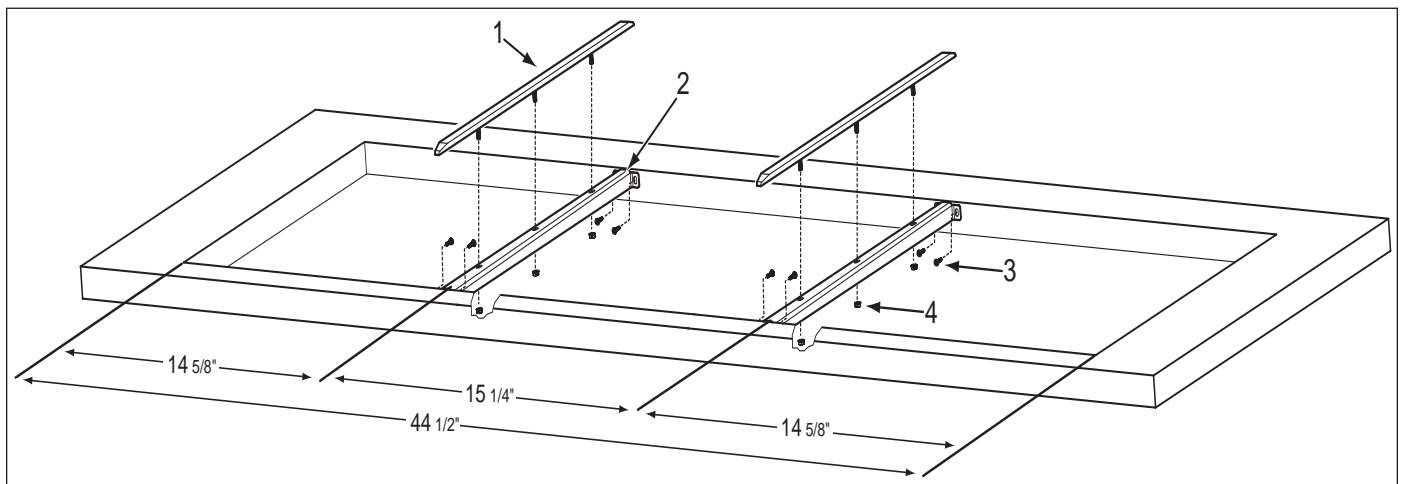


Fig. 3-12. Filler Strip with Three Integrated Cooktops, Typical Installation.

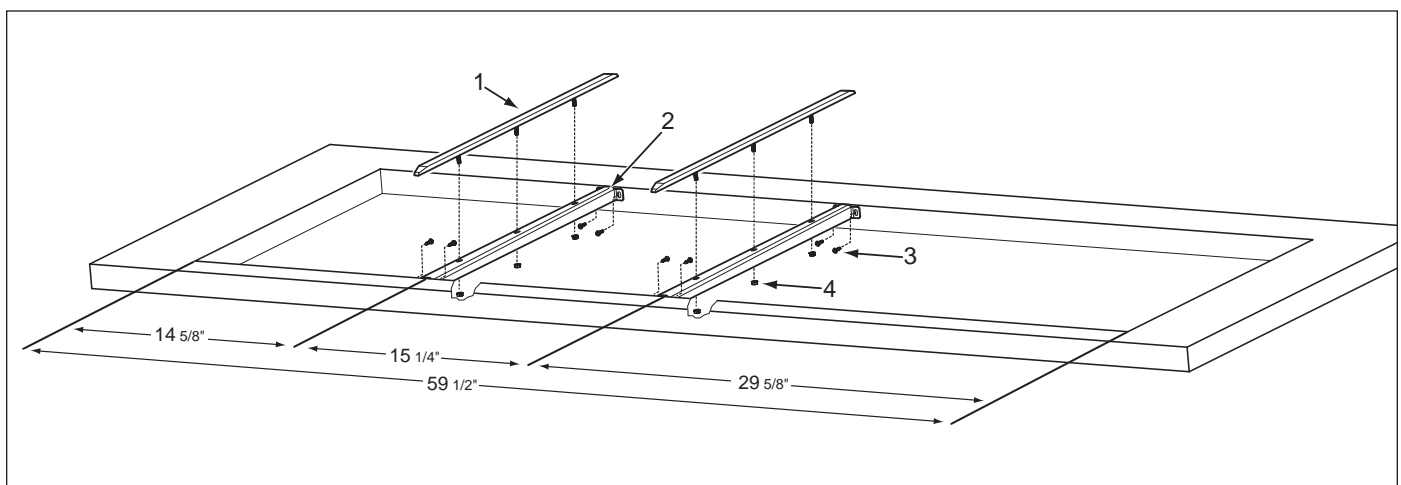


Fig. 3-13. Filler Strip with Two Integrated Cooktops and a 30" Gas or Electric Cooktop, Typical Installation

SUPPORT KIT FOR DOWNDRAFT INSTALLATION PROCEDURE

These instructions contain procedural information to install the Integrated Cooktop Support Kit for downdraft ventilation installations.

NOTE: This kit does not include the Filler Strip Kit Assembly. Please order Kit Model number: 803386.

1. Locate and center Rear Bracket Support (1) in downdraft cutout as shown.
2. Position Rear Bracket Support (1) so that top surface is flush with counter top. You may need a straight edge to assist in locating the bracket at the correct height.
3. Mark center of elongated slots of Rear Bracket Support (1) at both ends on countertop.
4. Mark center of elongated slots of Filler Strip Bracket (not included) on front of cooktop cutout.
5. Using a 3/32" drill bit, drill a 3/4" deep pilot hole for the #6/32 mounting screws (3).

⚠ WARNING

PLEASE CONSULT WITH THE COUNTERTOP MANUFACTURER/INSTALLER FOR THE PROPER METHOD OF INSTALLING SCREWS INTO THE INSIDE EDGE OF THE COUNTERTOP. DAMAGE MAY OCCUR IF THE PROPER METHODS ARE NOT USED.

6. Install Downdraft into countertop opening, but do not secure in place at this time.
7. Secure Rear Bracket Support (1) and Filler Strip Bracket (not included) to countertop using items (2 & 3).
8. Install Integrated cooktops into corresponding openings.
9. Position Filler Strip (not included) into Filler Strip Bracket (not included) and install three #10-24 nuts, but do not tighten.
10. Align and adjust cooktops, downdraft and filler strip in counter top opening and then tighten cooktop hold down clamps, filler strip nuts and secure downdraft per installation instructions.

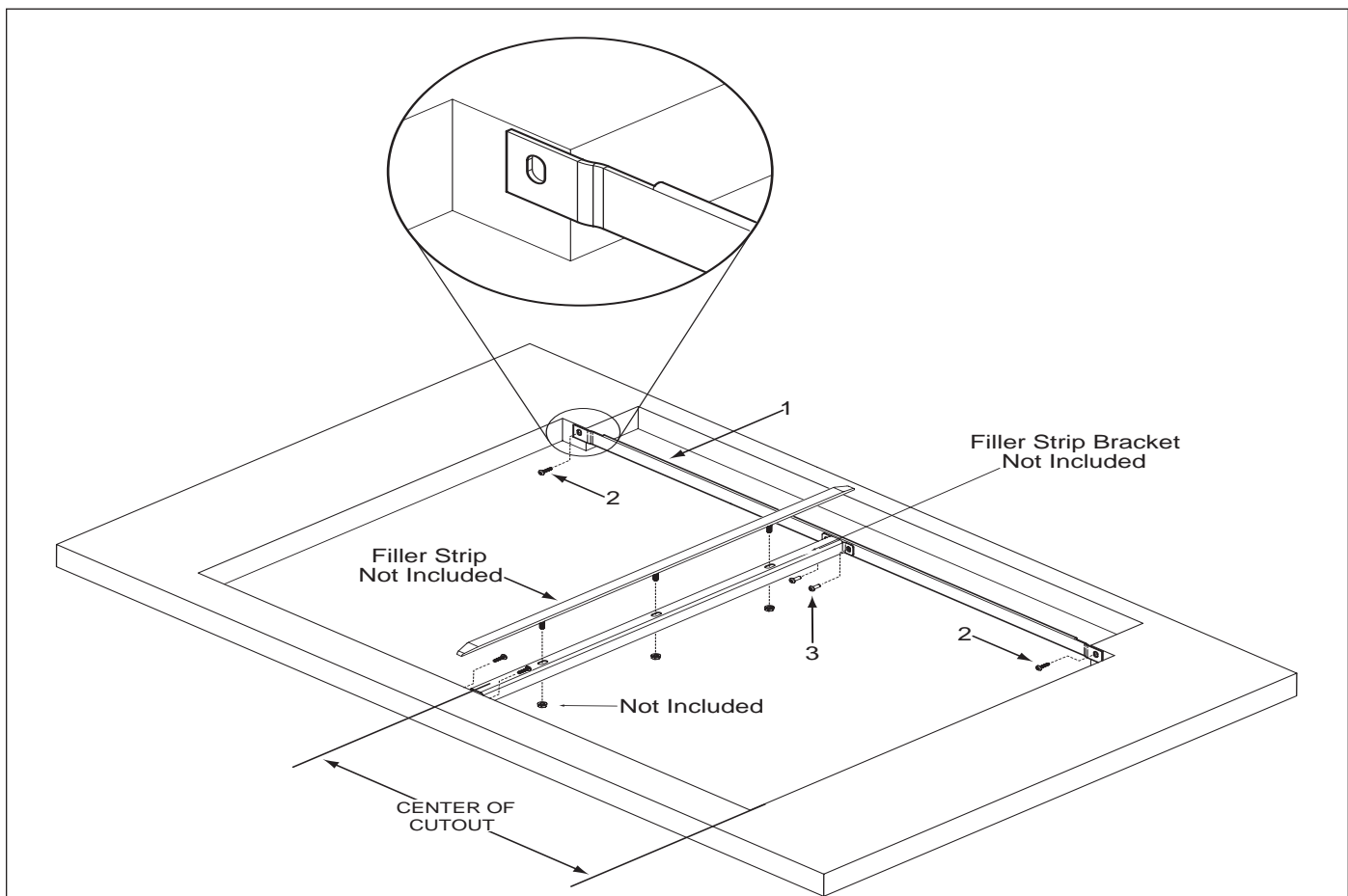


Fig. 3-14. Support Kit for DownDraft Ventilation Installation