

This Owner's Manual is provided and hosted by [Appliance Factory Parts](#).



Breezair TBSI580 Owner's Manual

[Shop genuine replacement parts for Breezair TBSI580](#)



[Find Your Breezair Evaporative Cooler Parts - Select From 59 Models](#)

----- Manual continues below -----

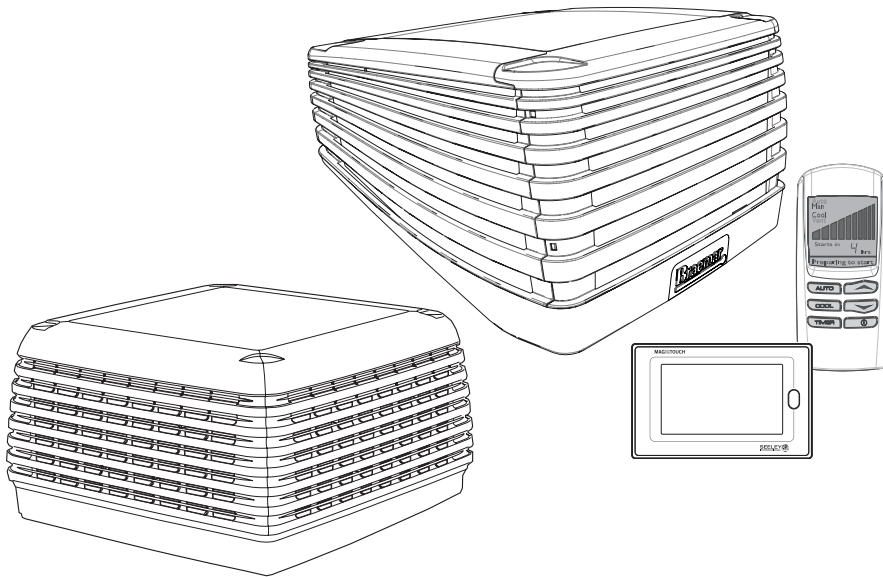


OWNER'S MANUAL

LCQ / LCS / LCQI / LPQI / BMQ / CPQ

TBQ / TBS / TBQI / TBSI

Evaporative Cooler



(English)

Original English Instructions

IMPORTANT SAFETY INSTRUCTIONS

READ AND SAVE THESE INSTRUCTIONS FOR FUTURE REFERENCE.

FOR EUROPE

This appliance can be used by children aged from 8 years and above and persons with reduced physical, sensory or mental capabilities or lack of experience and knowledge if they have been given supervision or instruction concerning use of the appliance in a safe way and understand the hazards involved. Children shall not play with the appliance. Cleaning and user maintenance shall not be made by children without supervision.

FOR AUSTRALIA, NEW ZEALAND & OTHER NON-EUROPEAN COUNTRIES

This appliance is not intended for use by persons (including children) with reduced physical, sensory or mental capabilities, or lack of experience and knowledge, unless they have been given supervision or instruction concerning use of the appliance by a person responsible for their safety. Children should be supervised to ensure that they do not play with the appliance.

If the supply cord is damaged, it must be replaced by the manufacturer, its service agent or similarly qualified persons in order to avoid a hazard. New hose sets supplied with the appliance are to be used and old hose-sets should not be re-used.

WARNING - TO REDUCE THE RISK OF FIRE, ELECTRIC SHOCK, OR INJURY TO PERSONS, OBSERVE THE FOLLOWING:

- a) Use this unit only in the manner intended by the manufacturer. If you have questions, contact the manufacturer.
- b) Before servicing or cleaning unit, switch power off at service panel and lock the service disconnecting means to prevent power from being switched on accidentally. When the service disconnecting means cannot be locked, securely fasten a prominent warning device, such as a tag, to the service panel.

Never force parts to fit because all parts are designed to fit together easily without undue force.

Never drill holes in the cooler's water reservoir.

IMPORTANT SAFETY INSTRUCTIONS

This cooler is fitted with a MagIQtouch or MagIQcool Controller. Please refer to the separate manual provided with the MagIQtouch Controller for instructions on how to set-up and operate this system. For the MagIQcool Controller, you'll find details on set-up and operation in this manual.

IMPORTANT NOTES!

In areas where temperatures can cause water supply pipes to freeze, a drain down facility should be provided during the installation. This drain down facility must be activated prior to freezing conditions, to avoid possible damage to the cooler components.

Details on how to register your product warranty can be found near the end of this Owner's Manual.

As with any product that has moving parts or is subject to wear and tear, it is **VERY IMPORTANT** that you maintain the product and have it regularly serviced. It is a condition of warranty cover for your product that you comply with all of the maintenance and service requirements set out in the Owner's Manual. Compliance with these requirements will prolong the life of your product.

Further, it is also a condition of warranty cover that each item in the Maintenance Schedule in the Owner's Manual is performed with the frequency indicated, by a qualified, licensed technician, and that the Maintenance Schedule is properly filled out (i.e. names, signature, date, and action taken) when the item is completed.

ANY FAILURE TO CARRY OUT THE REQUIRED MAINTENANCE AND SERVICING REQUIREMENTS, AND ANY FAILURE TO PROPERLY FILL OUT THE MAINTENANCE SCHEDULE, WILL VOID YOUR WARRANTY.

TABLE of CONTENTS

OPERATING YOUR COOLER	1
MAGIQTOUCH CONTROLLER OPERATION	1
MAGIQTOUCH CONTROLLER SETTINGS MENU	1
About Appliance	1
Min/Max Set Temperature	1
Night Quiet Mode	1
Manual Drain	1
Pad Flush	1
Autoclean (Breezair® coolers only)	1
MAGIQCOOL CONTROLLER SETTINGS	2
Manual mode	2
Auto mode	2
MAGIQCOOL CONTROLLER OPERATION	2
Turning the Cooler On	2
Preparing to Start	2
Manual Mode	2
Auto Mode	2
Delayed Start or Stop	3
Programming In Manual Mode	3
Programming In Auto Mode	3
Service Mode	3
Drain Mode (Cooler switched OFF)	4
WATER MANAGEMENT	4
WATERMANAGER™	4
DRAIN VALVE	4
CONTINUOUS BLEED SYSTEM	4
POWER OUTAGES	4
HEALTH REGULATIONS	4
MAINTENANCE	5
Access for Servicing and Maintenance	5
Maintenance Schedule	6
Additional Activities	7
Chillcel Cooling Pad Maintenance	7
Seasonal Maintenance	7
Pre-Season	7
End of Season	7
High Duty Cycle Operation Maintenance	7
Water Distribution Channels	8
LPQI Models	8
Cooler Isolation Switch	8
REMOVING PAD FRAMES	9
Removing Pad Frames - LPQI Models	9
Refitting the Pad Frames - LPQI Models	10
TROUBLESHOOTING	11
HOW TO REGISTER YOUR PRODUCT WARRANTY (Australia only)	12
WARRANTY TERMS AND INFORMATION (Australia only)	13

Hello and congratulations on purchasing a Seeley evaporative cooler

At Seeley International we manufacture evaporative coolers from the highest quality materials, and we have designed the product to provide many years of economical, trouble-free cooling.

OPERATING YOUR COOLER

To provide efficient cooling or ventilation the building must have sufficient exhaust openings to the outside of the building.

To assist air flow, open windows and doors that are farthest from the outlet vent in each room. In these rooms, provide an exhaust opening 2 times the vent size of the room.

Where the design of the building prevents adequate exhaust, consideration should be given to the provision of mechanical extractions, such as an exhaust fan.

There are three main ways that an evaporative cooler can operate to provide cooling comfort.

- The cooler can be set to cool at a constant fan speed, without reference to the current temperature.
- The cooler can be given a temperature target, in which case it will vary the fan speed in order to get as close to the target as possible. (**Note!** Humid weather conditions may limit the temperatures that can be achieved).
- The cooler can be set to a fan only mode, providing air circulation only.

MAGIQTOUCH CONTROLLER OPERATION



Refer to the Owner's Manual supplied with the controller for operating instructions.

MAGIQTOUCH CONTROLLER SETTINGS MENU

Your MagiQtouch Controller contains a settings menu, which gives you access to information about your evaporative cooler and to extra functions including:

About Appliance

Access information about the appliances installed in your system.

Min/Max Set Temperature

You can change the minimum and maximum temperature displayed on your slider, depending on what temperature range you prefer your system to work within.

Night Quiet Mode

Restrict fan speed over the night time period for a quiet night's sleep.

Manual Drain

This will turn the cooler off and drain the tank.

Pad Flush

This will turn the cooler off and run the pumps for a specified time. Use this feature to flush the cooler pads.

Drain And Dry

This option allows you to nominate a time each day when the cooler will drain the tank and run the fan for 1 hour.

Autoclean (Breezair® coolers only)

Select the preferred cleaning interval (50 / 100 / 200 hrs). At 8.00am after the selected running hours has been reached, the cooler will drain the tank, fill with fresh water and operate the pump for 5 minutes. When complete, drains the tank and returns to previous operation mode.

Note! There are some settings, which are locked and are only for installers or service technicians.

MAGIQCOOL CONTROLLER SETTINGS

MagIQcool Wall Controllers can operate in manual or automatic mode.

Manual mode

Manual mode will allow you to change settings for operating the cooler, such as altering fan speeds, pump control and manual drain control.

Auto mode

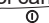
Auto mode will allow thermostatic control to set temperature targets / operating settings. It has the capability of programming ON/OFF delay times, enabling the cooler to automatically start up or shut down after a specified period of hours.

At all times the MagIQcool Controller will monitor the cooler for faults and report them to the controller's screen for your reference.



ILL121-A

Turning the Cooler On

The wall control can be switched on and off by pressing the  button. The wall control will remember the previous setting it was in when the cooler was last used.


Preparing to Start

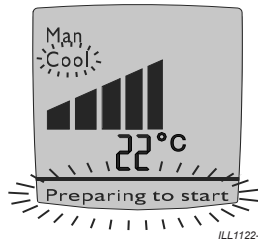
Whenever you select AUTO mode or COOL in MANUAL mode, the cooler will take a few minutes to start as it fills with water and saturates the cooling pads. The time will be decreased if the tank is full or the cooler has only recently been turned OFF.

During this time "Preparing to Start" will flash on the display.


MAGIQCOOL CONTROLLER OPERATION

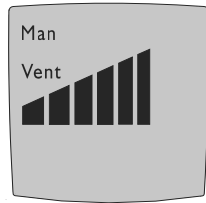
Manual Mode

With the wall control switched ON, press the  button until MAN is shown on the display.





ILL1122-A

You may then press the  button to switch between COOL and VENT (where fresh air is being delivered but not cooled).




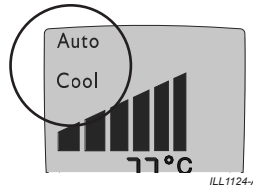
ILL1123-B

Once COOL or VENT has been selected, the wall control will maintain a constant fan speed. This is indicated by the bar graph shown on the display.



To increase or decrease the fan speed required, press either the  or  button.

Auto Mode

To select the AUTO mode press the  button until AUTO is shown on the display.



ILL1124-A

In AUTO mode the cooler will remember the last setting used. Press the  button if you require more cool air or the  button if you require less. Don't alter the setting however, until the room temperature has stabilised.


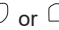
MAGIQCOOL CONTROLLER OPERATION cont

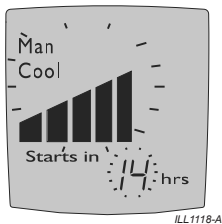
Delayed Start or Stop



The cooler can be programmed to start at a specific time or stop at a specific time.

The delayed start time can only be programmed when the cooler is OFF. To program the cooler to start in a certain amount of hours use the following sequence:



Programming In Manual Mode

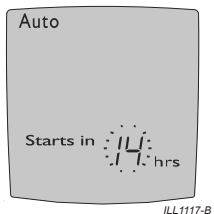
- (1)..... Press the **TIMER** button.
- (2)..... Press the **AUTO** button until MAN is displayed on the screen.
- (3)..... Press the  or  button until the desired fan speed is displayed by the bars in the middle of the screen.



- (4)..... Press the **COOL** button to set either COOL or VENT.
 - (5)..... Press the **TIMER** button and the 'starts in' time will start flashing.
- Use the  and  buttons to select the desired time.
- (6)..... Press **TIMER** again.

Programming In Auto Mode

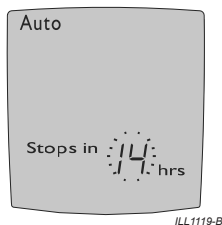
- (1)..... Press the **TIMER** button.
 - (2)..... Press the **AUTO** button until AUTO is displayed.
 - (3)..... Press the **TIMER** button and the 'starts in' time will start flashing.
- Use the  or  button to select the hour.
- (4)..... Press **TIMER** again.



The delayed stop time can only be programmed once the cooler is ON.

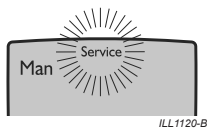
This is ideal if you are going to bed but don't want to turn the cooler off straight away. To program the delayed time in which you want the cooler to stop use the following sequence:

- (1).....Select the **TIMER** button and the 'stops in' time will start flashing.
- Use the  and  buttons to select the desired off time.
- (2).....Press **TIMER** again.

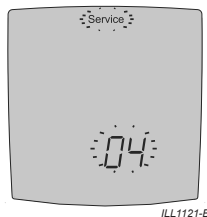


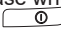
Service Mode

When a fault has been recognised by the wall control the word "Service" flashes on the screen.



When "Service" is displayed it may be necessary for you to phone the service number located near the back of this manual. However, before doing so, turn the wall control OFF. You will notice a number flashing at the bottom of the screen. This number indicates the reason for requiring service.



Please write this number down, then push the  button to turn the cooler back on. If after a short time "Service" is again shown on the display, turn the wall control OFF and check if the flashing number is the same. If it is the same check for the following possible problems.

However, we do recommend that any checks be carried out by an authorised dealer or service agent.

MAGIQCOOL CONTROLLER OPERATION cont.

If '02' is displayed

(1).....Check that the water supply tap to the cooler is turned on.



(2).....Check that your local water authority haven't temporarily disconnected the water in your area.

If '04' is displayed

(1).....If your cooler is fitted with a drain valve, check that the drain is not blocked.

If these do not fix the problem then contact your dealer or the service number near the back of this manual. You will need to quote the flashing number that you wrote down.

Drain Mode (Cooler switched OFF)

Pressing the  and  buttons at the same time for 2 seconds will open the drain valve and empty the water in the tank. The wall control will display "dr" on the screen. Draining the water will leave the tank clean and dry until it is next used.

WATER MANAGEMENT

Your evaporative cooler will either be fitted with a WaterManager™ system, or a continuous bleed system. Check with your dealer to determine which system has been installed.

WATERMANAGER™

Seeley evaporative coolers fitted with the WaterManager™ feature will automatically monitor the quality of the water in the cooler.

The WaterManager™ partially drains the existing water in the cooler to allow it to be replaced with fresh water, when it is needed. Therefore, you may notice your cooler draining water occasionally. How often the WaterManager™ performs this operation depends upon the quality of the water supply and the rate of evaporation. In areas of poor water quality, the WaterManager™ will operate more often as it tries to maintain the optimum water quality in the cooler. This maximises the cooling effect and life of the cooling pads.

The WaterManager™ controls salinity either by measuring the salinity levels in the water (high or low setting), or by performing a timed drain (will drain the tank after a specified operation time regardless of salinity level).

DRAIN VALVE

The WaterManager™ system is installed with a drain valve and it is accompanied by the WaterManager™ salinity probes. When the tank's water salinity level reaches a preset level the WaterManager™ will open the drain valve and release saline water. Fresh water will then be added diluting any minerals or salts accumulated. The WaterManager™ will continue to monitor and drain water as required.

Alternatively, the cooler can be set to drain saline water at a preset period of pump operating time.

Note! When the cooler's tank is empty and the cooler is turned on again, the fan operation will be delayed as the tank is refilled and the pads are saturated.

CONTINUOUS BLEED SYSTEM

During operation, the bleed system will drain small amounts of water. This ensures fresh water is continually added to dilute salt accumulation in the water caused through evaporation. This helps keep the air cooler in good condition and ensure optimum performance. The bleed rate will depend on local operating conditions and will be set by the installer.

POWER OUTAGES

After a power outage the MagIQtouch Controller will prompt you to enter the date and time. If the AUTO RESTART option is switched on in the SETTINGS™ menu, the following actions will result:

If the cooler was last running in MANUAL mode, it will automatically restart only after the date and time have been confirmed.

If the cooler was last running in PROGRAM mode, it will automatically restart, even before the time and date have been set, according to the last time recorded before the power outage.

HEALTH REGULATIONS

In some regions, regulations require that evaporative air coolers be serviced at specific intervals.

MAINTENANCE

Maintenance Schedule servicing is essential to ensure the cooler operates efficiently for many years. It must be carried out by a qualified, licensed service technician. The following pages outline the suitable maintenance requirements to ensure that your cooler continues to operate efficiently.

We require that the following components and the operation thereof, be checked/serviced after the first 6 months of use, then every 2 years for residential purposes or every year for commercial purposes, as Maintenance Schedule servicing. Refer to the Maintenance Schedule section.

Maintenance Schedule servicing should be performed before the summer season. It is important to note that all evaporative coolers have components that may need periodic replacement (eg. filter pads, hoses, o-rings etc).

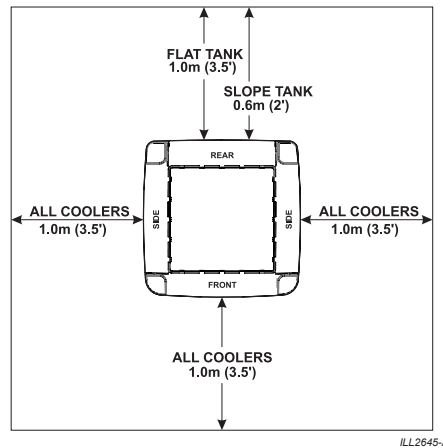
Note! Failure to carry out the Maintenance Schedule services will void your warranty cover.

Note! Maintenance Schedule servicing may be required more frequently in adverse environmental situations or where the appliance is installed in non-residential applications. Please consult with the installer or service personnel to determine if more frequent servicing is required.

WARNING! As your cooler is mounted on the roof, we suggest that any maintenance or checks be carried out by an authorised Seeley International dealer or service agent. Climbing onto the roof can be hazardous and could result in injury to you and damage to your property.

Access for Servicing and Maintenance

Working at heights requires additional safety precautions. Required clearances around the cooler for maintenance and servicing are shown below.



Specific job sites may incur additional charges for servicing in order to provide safe access to the cooler for servicing, which may include, but not limited to sites:-

- with a roof pitch $>35^\circ$
- with limited access to the roof
- where the roof access point is $> 6\text{m}$ above ground level
- where the cooler is located too close to a fall edge
- which are not structurally capable of supporting the weight of the cooler and service technicians

Extra service or warranty charges may apply for the cost of any equipment or additional labour involved in providing safe access to the cooler.

MAINTENANCE cont.

MAINTENANCE SCHEDULE

Service Item	Check/Adjust					Clean					Replace				
	1	2	3	4	5	1	2	3	4	5	1	2	3	4	5
Water Distribution System															
Chillcel Pads (replace as required)															
Pad Retaining Washers/Pins															
Tank/Water Reservoir															
Pump Filter															
Water Probes															
System Washers, Seals and O-Rings (replace as required)															
Drain Valve/Bleed Funnel operation															
Component Function															
Pump operation															
Drain Valve operation															
Motor Operation															
Solenoid operation															
Wall Control operation															
General Operation															
Water Level Set Point															
Water Fill Time															
Water Drain Time															
Water Distribution across Pads															
Airflow through system/Outlets															
General Product condition (includes correct fitting of all components and items - replace as required)															

Service No.	Service Date	Service Technician	Service Company
No.1
No.2
No.3
No.4
No.5

MAINTENANCE cont.

Additional Activities

The maintenance schedule provides a minimum requirement for ensuring your cooler operates effectively. For best performance from your cooler, additional cleaning and maintenance tasks may be required depending on its usage. These are described below.

Chillcel Cooling Pad Maintenance

Efficient cooling and airflow requires clean and un-blocked cooling pads. In areas with airborne dust, contaminants or debris, or for High Duty cycle operation, cleaning of the cooling pads is recommended every 3 months.

SEASONAL MAINTENANCE

When used in a residential application, Seasonal Maintenance is only required if you have a cooler fitted with a constant bleed system. If your cooler is fitted with a drain valve, no Seasonal Maintenance is required. Seasonal Maintenance services must be performed at a minimum before and after the summer season.

Pre-Season

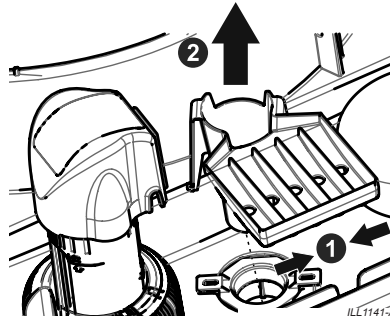
1. Remove the pad frames.
2. Ensure the power is off at the isolating switch inside the cooler.
3. Gently wash the pad frames to remove any dust build up during the winter. Note! Do not wash the pads with high pressure water spray. If pads are salted-up, replace them.
4. Check for water leaks. Check operation of float valve.
5. Turn on the water supply to the cooler.
6. Switch on the isolating switch.
7. Refit the pad frames.
8. Run the cooler.

WARNING! Ensure pad frames are fitted when operating the cooler.

End of Season

1. Turn off the water supply to the cooler.
2. Remove the pad frames
3. Turn off the power at the isolating switch inside the cooler.
4. Check and clean the water distributing spreader tray channels under the lid.
5. Drain the tank.
6. Thoroughly clean the tank, pump filter and salinity probe (if fitted).

7. If a drain valve is fitted it will automatically drain. If a bleed funnel is fitted, remove it from the tank as shown below. Keep the O-Ring in a safe place for later use.



8. Refit the pad frames.

HIGH DUTY CYCLE OPERATION MAINTENANCE

Only applicable for coolers operating more than 12 hours per day continuously throughout the year.

The following maintenance program is required in addition to the servicing required by the Maintenance Schedule:

3 monthly maintenance:

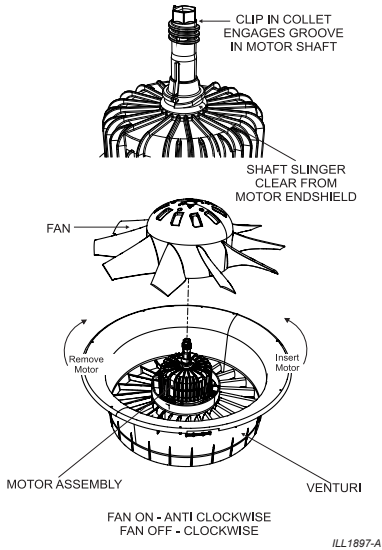
- Inspect the cooler and check the pump, drain valve (if fitted), solenoid and fan motor.
- Check the grub screw securing the fan to the motor shaft is tight. (LCQI/TBQI/LCSI/TBSI models only)
- Check the pads and replace as required.
- Check and clean the tank and the pump filter.

12 monthly maintenance:

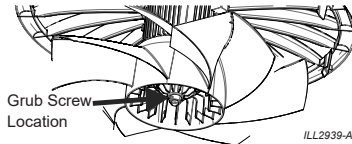
- Replace plastic fan and motor collet and check motor shaft for wear. (CPQ/LCQ/LCS/TBA/TBQ/TBS models only)
- Water distribution channels.
- Pump.
- Drain valve.
- Solenoid and associated filter / fittings.
- Fan motor operation.
- Float valve.
- Salinity probes etc

MAINTENANCE cont.

CPQ/LCQ/LCS/TBA/TBQ/TBS models



LCQ/LPQI/TBQI/TBSI models

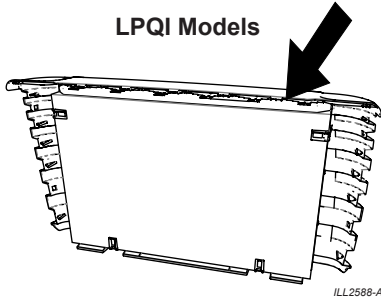


Water Distribution Channels

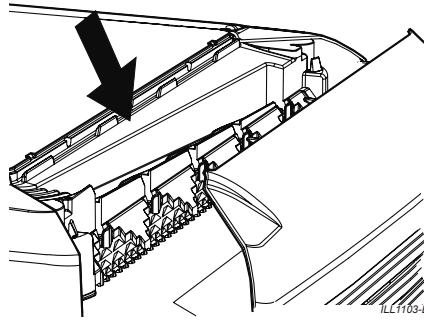
The spreader section of the water distribution system will need occasional maintenance and cleaning, depending on the frequency of use, water quality and associated calcification or solids build-up.

To access the water spreaders, remove the pad frames from the cooler to expose them.

LPQI Models

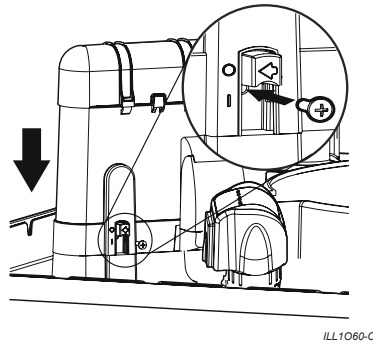


All other models



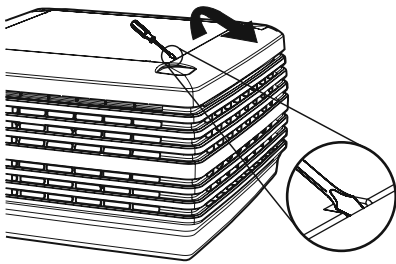
Cooler Isolation Switch

Prior to service or maintenance, ensure the mains power to the cooler has been isolated. There is an additional isolation switch inside the cooler cabinet that should be switched to "OFF" (refer below).



REMOVING PAD FRAMES

Insert a flat screw driver tip into the slot as shown and lever until disengagement occurs.



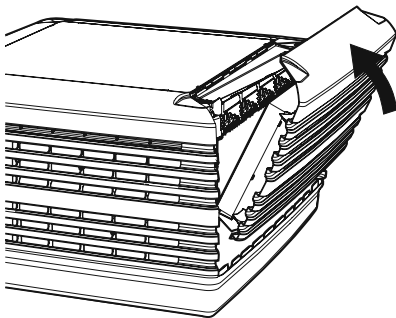
ILL974-B

Take hold of the pad frame and pull it towards you until the internal side clips disengage.



ILL975-C

Pivot the pad frame outwards and lift up. Take care not to damage the pad.

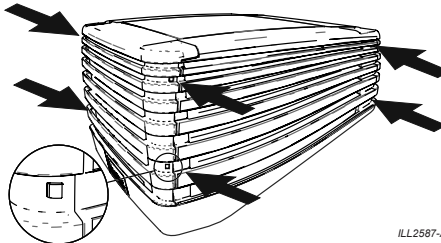


ILL976-D

REMOVING PAD FRAMES - LPQI MODELS

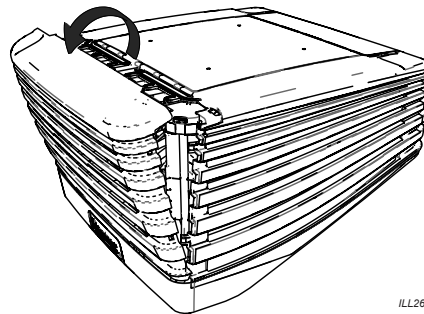
At each corner of the cabinet where the padframes overlap there are 2 clips. These clips will need to be pushed in and disengaged before the pad frames will pull free.

Important! Be careful not to use excessive force when pushing in the clips so as not to damage them.



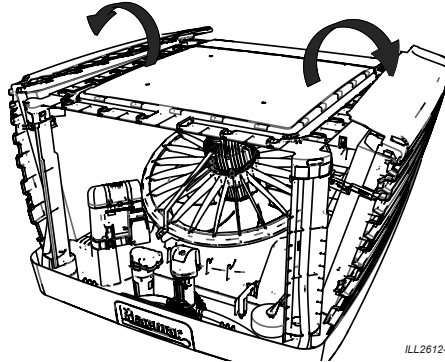
ILL2587-A

Start by removing the front panel. Once the 4 clips have been disengaged, pull the top pad frame towards you so that it rotates free from the cabinet. Lift the pad frame out, taking care not to damage the pad.



ILL2611-A

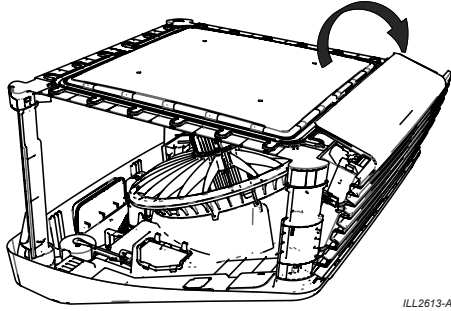
Next remove the side panels, disengaging the clips holding them to the rear pad frame.



ILL2612-A

REMOVING PAD FRAMES - LPQI MODELS cont.

Finally remove the rear pad frame.

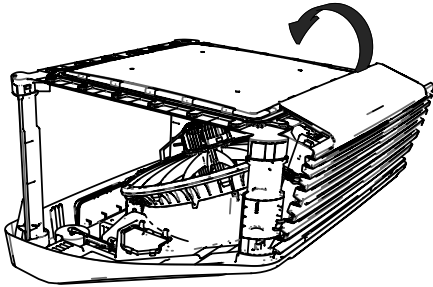


ILL2613-A

REFITTING THE PAD FRAMES - LPQI MODELS

The pad frames are designed to overlap and interlock and so must be assembled in a specific order.

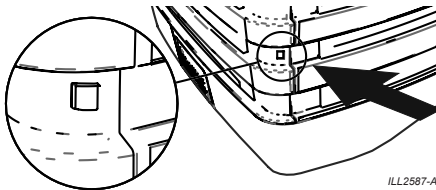
Assemble the rear pad frame first by locating the bottom edge inside the lip of the tank and rotating it forwards. Ensure the retainment lugs along the top of the padframe are fitted securely into the lid.



ILL2578-A

Once the rear pad frame is assembled, the 2 side pad frames can be fitted in the same way. Lastly assemble the front pad frame.

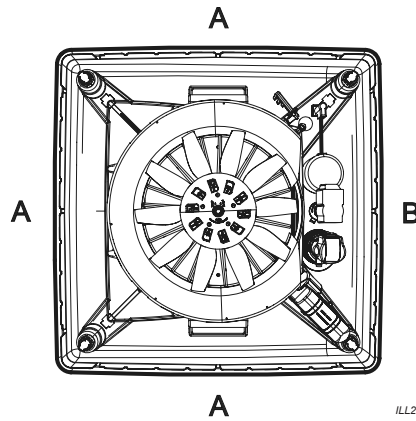
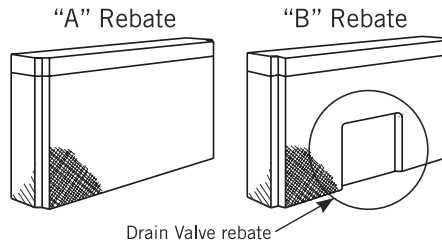
Where each of the padframes overlap there are 2 clips. Ensure all the clips are fully engaged.



ILL2587-A

PAD FRAME POSITIONS

All Supercool Chillcel pads for LCS/TBS or TBSI coolers have the side edges rebated to provide clearance for corner posts. Note the position required for the pad with the Drain Valve ("B" Rebate) rebate.



ILL2128-A

If fitted incorrectly they may cause problems:

- Thicker pads may catch on internal components causing damage.
- Thicker pads may impede the correct operation of the float valve.
- Incorrect positioning of pads may cause a drop in cooler performance.
- Incorrect fitment may allow water to bypass the pad and be carried over into the air stream and ducting.
- Water bypass may cause damage to internal electronic components.

TROUBLESHOOTING

Symptom	Cause	Action
Unpleasant odour	Odour from the new pads	<ul style="list-style-type: none"> Use the 'Pad Flush' function in the SETTINGS menu of your MagIQtouch Controller to flush pads. Fill tank, run pump for a short period to wash pads, drain tank, refill and repeat several times if odour persists. Odour will dissipate after a number of hours of operation.
Inadequate cooling	Dry pads	Ensure the water supply is turned on. Then check the water flow to the pads.
	Dry patches in pads (LPQI Models only)	Check for blockages inside the lid water distribution channels by lifting up the rubber channel cover. Clear out any debris. Ensure the rubber channel cover is refitted and pressed down flush all the way around the lid before refitting pad frames or running the pump.
	Insufficient exhaust openings for conditioned air	Ensure sufficient exhaust openings.
	Excessive ambient humidity	On days during the summer when the ambient humidity is high, the cooler will not reduce the temperature as much as on drier days.
Cooler turns ON and OFF	Fault in the cooler	Contact your Seeley International authorised dealer or service number.

If your controller prompts you to call a service agent, please contact your local Seeley International authorised dealer or the service number on the back of this manual.

HOW TO REGISTER YOUR PRODUCT WARRANTY (Australia only)

Warranty Information section

HOW TO REGISTER YOUR PRODUCT WARRANTY (Australia only)

Please register your warranty online by visiting [seeleyinternational.com](https://www.seeleyinternational.com) and selecting RESIDENTIAL section on the top right hand side of the screen. Then follow these steps:

Step 1 Select **SUPPORT** then **REGISTER A PRODUCT FOR WARRANTY**

Step 2 Enter your product serial number and "**SUBMIT**"

Step 3 Enter the required information and "**SUBMIT**"

Alternatively, go to <https://www.seeleyinternational.com/residential/support/register-a-product-for-warranty/> which will take you directly to the product warranty registration page.

Important Note: You need to have the following information to complete your registration:

- your unit model and size
- serial number
- date your system was installed
- name of the dealer you purchased it from

Please complete this section. You will also need to retain your purchase receipt, and proof of any warranty period extension.

Brand: _____

Model: _____

Serial No: _____

Customer Name: _____

Installation Address: _____

Installation Type: Residential / Non Residential / Commercial

Date of installation: _____

Installer / Dealer: _____

WARRANTY TERMS AND INFORMATION (Australia only)

Warranty Details (Australia only)

In this warranty:

We or us means Seeley International Pty Ltd (Seeley) ABN 23 054 687 035, and our contact details are set out at the end of this warranty;

You means you, the original end-user purchaser of the Goods;

Supplier means the authorised distributor or retailer of the Goods that sold you the Goods in Australia;

Goods means the product, unit, appliance or equipment which was accompanied by this warranty and purchased in Australia; and

Relevant Warranty Period means the various warranty periods as described in clause 1 and clause 3 below, as appropriate.

Our Goods come with guarantees that cannot be excluded under the Australian Consumer Law. You are entitled to a replacement or refund for a major failure and for compensation for any other reasonably foreseeable loss or damage. You are also entitled to have the Goods repaired or replaced if the Goods fail to be of acceptable quality and the failure does not amount to a major failure.

In addition to any rights and remedies that You may have under the Australian Consumer Law or any other law, subject to the terms of this warranty, We provide the following warranty:

1.
 - a. Subject to clause b. below, if during the first five (5) years from the date of purchase when the Goods are used for personal, residential household purposes, and for two (2) years for any other purpose the Goods upon examination prove defective by reason of improper workmanship or material, We will repair or replace, at our option, the Goods or any part thereof without charge for either parts or labour, during normal working hours.
 - b. For Braemar EA Model evaporative coolers, the warranty periods in clause a. above shall be as follows:
 - Braemar EA variable/two speed: the first mentioned period shall also be five (5) years. The second mentioned period shall also be two (2) years, but only if the Goods are used for a commercial purpose.
 - Braemar EA Plug Connect: the warranty period shall be two (2) years, regardless of whether the Goods are used for personal, residential household purposes or any other purpose, however the warranty shall only cover the cost of parts, not labour or any other charge.
2. The warranty granted under clause 1 applies to all components which form part of the original evaporative air cooler, but does not cover:
 - a. fair or normal wear and tear;
 - b. damage, loss or claims caused by, resulting from, or arising out of any utilities that service or are connected to the Goods, electrical surges, inadequacies, failure, or other problems in or with any electricity, power, water, or gas supply to the Goods;
 - c. after the first year: (i) the replacement, supply, or servicing of consumable items (including without limitation cooler pads, washers, seals, drive belts) and (ii) maintenance adjustments to the evaporative air cooler; and
 - d. installation (including without limitation ductwork, fittings, return air filters and other related installation components) which is excluded.
 - e. batteries (including damage caused by leaking or faulty batteries), cracking or breaking of display screens in controllers, physical damage caused by the user or third parties, and accidental breakage.
3. Seeley also warrants the structural integrity of all components made from our exclusive Permatuf polymers for ten (10) years and your evaporative air cooler cabinet (base, top, corner supports, side panels, fan and fan housing) against damage caused to it by all forms of corrosion for twenty five (25) years.
4. During the period to which any expressed warranty applies, all defective part(s) shall be replaced or repaired (at the discretion of Seeley) without charge for either parts or labour, during normal working hours. Should we deem in our absolute discretion to replace the Goods pursuant to clause 1 or clause 3, we may substitute any similar good even if it is not on our current price/equipment list. Further, Goods presented for repair may be replaced by refurbished goods of the same type rather than being repaired. Refurbished parts may be used to repair the Goods.

WARRANTY TERMS AND INFORMATION (Australia only) cont.

5. We are under no obligation to repair or replace the Goods or Parts under clause 1 and 3 above if (i) the Goods have not been installed and commissioned in accordance with the Installation Manual (ii) the Goods have not been installed and commissioned properly or competently, (iii) the Goods have not been operated, serviced and maintained in accordance with the instructions provided in the Owner's Manual, or (iv) if any such service or maintenance has not been properly or competently performed. It is a condition of warranty cover that each item in the Maintenance Schedule in the Owner's Manual (if it was published with such a Schedule) is performed with the frequency indicated, by a qualified, licensed technician, and that the Maintenance Schedule is properly filled out (ie names, signature, date, and action taken) when the item is completed. Any failure to carry out the required maintenance and servicing requirements, and any failure to properly fill out a Maintenance Schedule in the Owner's Manual, will void your warranty. The addition of any third party device, (except where it is required by the installation instructions and complies with those instructions), or the removal or alteration of any Seeley component, or damage due to misuse of the unit, or faulty installation or commissioning, will void this warranty.
6. As far as the law permits, We will not be liable for any consequential loss suffered through, or resulting from, the non-operation, or ineffective operation of the evaporative air cooler. The warranties granted under clause 1 and clause 3 do not cover damage to the evaporative air cooler or other loss resulting from acts of God.
7. No other person, company or corporation is authorised to offer, or give on our behalf, any other warranty. The benefits conferred are in favour of You and any person deriving title to the evaporative air cooler whilst in its original place of installation. Nothing in this warranty shall be construed as affecting any rights You may have under all the relevant laws, or Commonwealth or State Legislation which give You rights which cannot be modified or excluded by agreement.
8. In order to claim under the warranties granted under clause 1 or clause 3 You must:
 - a. either:
 - contact us within the Relevant Warranty Period on 1300 650 644; or
 - log a warranty claim on our website (website address below) within the Relevant Warranty Period; and
 - b. make available for inspection by the service agent who will come to the location of the Goods or send to us at the address below within the Relevant Warranty Period: (i) the legible and unmodified original proof of purchase, which clearly indicates the name and address of the original retailer, the date and place of purchase, the product name or other product serial number, (ii) all of your records of all service and maintenance carried out to the Goods, plus the Maintenance Schedule in the Owner's Manual (if it was published with such a Schedule), (iii) a copy of the completed Warranty Information section above, and (iv) if an extended warranty period was provided by Seeley International for the Goods, then the relevant document provided by Seeley International confirming that extended warranty period. If you choose to send the documents described in (i) to (iv) to Seeley International, then they must be accompanied by a covering letter which states your name and address and daytime telephone number, the address at which the Goods are installed, and the model and serial number of the Goods.
9. The warranty granted in clause 1 and clause 3 covers the costs of parts and labour (note that under clause 1 for Braemar EA Plug Connect models only parts are covered, not labour) but you will be responsible for:
 - a. the cost of travel incurred for a Seeley International service agent to get to and from the location of the Goods if the location of the Goods is either: (i) outside the metropolitan areas of the capital cities; or (ii) more than 35 kilometres from an authorised Seeley International branch or service representative; and
 - b. any costs for additional labour or equipment associated with gaining acceptable and safe service access to the Goods installed in restricted, high or unsafe locations, and/ or the removal and replacement of any barrier, walls, roofs, fences etc; and
 - c. any costs incurred by the Seeley International service agent in gaining access to the Goods which is necessary to comply with any safety or workplace safety requirements and/or any other relevant regulations. For the avoidance of doubt, the reference to any costs incurred also includes the cost of any necessary site inductions.
10. Seeley International is not responsible in any way for any failure and/or inadequate performance of the Goods which arises from or is connected to the use in the Goods of non-genuine spare parts. Seeley International strongly recommends that only spare parts supplied or approved by it are used in the Goods.
11. The employees and Executive of Seeley International are not responsible for the installation of the Goods and expressly disclaim all liability resulting from incorrect installations or installations that do not conform to local electrical codes, local plumbing codes, Occupational Health and Safety requirements, and by laws which are legislated or in effect at the time of installation.

WARRANTY TERMS AND INFORMATION (Australia only) cont.

12. This warranty is only valid and enforceable in Australia.

Note: Seeley and its service agents reserve the right to refuse service unless safety and accessibility to the unit can be guaranteed. If a service call reveals no warranty fault found with the Goods, a charge will be made for the call.

Our liability under this warranty is limited to the extent permitted by law. That is, to the extent that it is fair and reasonable, if the Goods are not of a kind ordinarily acquired for personal, domestic or household use or consumption, your remedies associated with any failure or defect of the Product will be limited to:

- a. the replacement of the Goods or the supply of equivalent goods;
- b. the repair of the Goods;
- c. the payment of the cost of replacing the Goods or of acquiring equivalent goods; or
- d. the payment of the cost of having the Goods repaired

and subject to the terms and conditions included in this warranty.

Service Department

Seeley International Pty Ltd

112 O'Sullivan Beach Road

Lonsdale, South Australia 5160

Customer service centre 1300 650 644

Website: www.seeleyinternational.com

FOR SERVICE

Service call Booking

To book a Service on your Seeley International product Online visit www.seeleyinternational.com

Step 1 Select "**SUPPORT**" and "**BOOK A SERVICE**".

Step 2 On the "**FIND A SERVICE AGENT**" page, enter your **POSTCODE** and select a category (for example "**EVAPORATIVE**"), select the "**SEARCH**" button.

Step 3 On the "**RESULTS**" page, select the "**BRAND**" of your cooler.

Step 4 Choose "**SELECT**" for your preferred agent from the list provided.

Step 5 Select "**BOOK A SERVICE**".

or Phone 1300 650 644 to be directed to your closest authorised Service Agent.

PRIVACY NOTICE

Seeley International Pty Ltd ABN 23 054 687 035 will use the personal information you provide us with to provide warranty support for the product you have purchased and to inform you about other products and services. If you choose not to supply us with the information requested, we may be unable to provide you with warranty support. We may also disclose your information to third parties, such as related entities; retailers, distributors, service agents and contractors who are affiliated with us; or marketing or market research companies. If you would prefer not to receive direct marketing communications from us, please follow the instructions to "unsubscribe" which will be included in the direct marketing communications we send you, or contact our Privacy Officer using the details set out below. While we do not currently transfer personal information to overseas recipients or store personal information overseas, if we transfer your information to third parties who do so, we will take reasonable steps to ensure that the overseas recipients do not breach the *Australian Privacy Principles*. By registering your warranty, you consent to having your personal information used in this way. Please read our Privacy Policy on our website www.seeleyinternational.com for further explanation of how we collect, use, hold and disclose personal information, and how you may access and seek correction of your information. It also sets out how you may complain about a breach of the Australian Privacy Principles, and how we will deal with your complaint. You may contact us at: Privacy Officer, Seeley International Pty Ltd, 112 O'Sullivan Beach Road, Lonsdale, South Australia 5160.

When your product requires servicing, please
quote the cooler serial and model number

Affix serial & model
number sticker here

Warranty (Australia only)

To register your warranty, go to
www.seeleyinternational.com/register-warranty



Service

For Australia contact 1-300-650-644
For outside Australia contact your local dealer
seeleyinternational.com

MANUFACTURED BY: SEELEY INTERNATIONAL PTY LTD
112 O'SULLIVAN BEACH RD, LONSDALE SA, 5160. AUSTRALIA

IMPORTED BY: SEELEY INTERNATIONAL (EUROPE) LTD
UNIT 11 BYRON BUSINESS CENTRE DUKE STREET,
HUCKNALL NOTTINGHAM, NG15 7HP UNITED KINGDOM

SEELEY INTERNATIONAL (AMERICAS) LTD
1002 S 56TH AVENUE, SUITE # 101
PHOENIX, ARIZONA 85043, USA

SEELEY INTERNATIONAL (AFRICA) PTY LTD
6 WITTON ROAD, FOUNDERSVIEW SOUTH,
MODDERFONTEIN 1609, GAUTENG, SOUTH AFRICA

It is the policy of Seeley International to introduce continual product improvement.
Accordingly, specifications are subject to change without notice.
Please consult with your dealer to confirm the specifications of the model selected.



865200-C

seeleyinternational.com

AU EU US 1902