

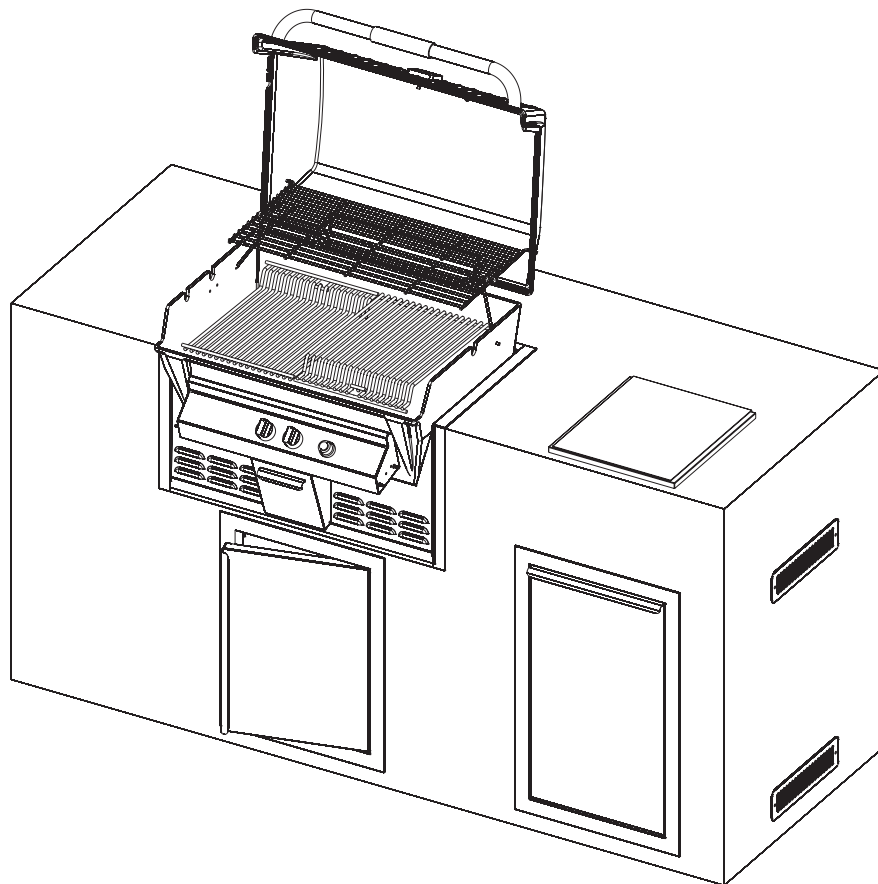


BUILT-IN KIT OWNER'S MANUAL

**BHAX2-1, BBA-1, DPA152-1, BDA-1, AND BRB-1 KITS
OUTDOOR GRILL MOUNTING**

**FOR USE WITH P3, H3, OR Q3 SERIES BROILMASTER PREMIUM GAS
GRILLS**

INSTRUCTIONS MUST BE LEFT WITH THE OWNER FOR FUTURE REFERENCE AFTER INSTALLATION.



RETAIN OWNER'S MANUAL FOR FUTURE REFERENCE.

NOTE: UL CERTIFICATION EXTENDS ONLY TO THE PRODUCT, NOT THE INSTALLATION OF THE PRODUCT.



THIS GAS APPLIANCE IS DESIGNED FOR OUTDOOR USE ONLY.

IMPORTANT

WE ADVISE YOU TO CAREFULLY READ AND FOLLOW THE INSTRUCTIONS IN THIS OWNER'S MANUAL BEFORE INSTALLING OR USING YOUR NEW BROILMASTER® BUILT-IN KIT. WHEN INSTALLED AND USED AS RECOMMENDED, YOUR BUILT-IN KIT WILL OFFER YEARS OF COOKING SATISFACTION. THE INSTALLER SHOULD PRESENT YOU WITH THIS MANUAL. PLEASE RETAIN IT FOR FUTURE REFERENCE.

WARNING

REFERENCE THIS MANUAL FOR PROPER INSTALLATION AND MAINTENANCE INSTRUCTIONS. IMPROPER INSTALLATION, ADJUSTMENT, ALTERATION, SERVICE OR MAINTENANCE CAN CAUSE PERSONAL INJURY OR PROPERTY DAMAGE. FOR ASSISTANCE OR ADDITIONAL INFORMATION CONSULT A QUALIFIED INSTALLER, SERVICE AGENCY OR THE GAS SUPPLIER.

FOR YOUR SAFETY

IF YOU SMELL GAS:

1. SHUT OFF GAS TO THE APPLIANCE.
2. EXTINGUISH ANY OPEN FLAME.
3. OPEN THE GRILL LID.
4. IF ODOR CONTINUES, IMMEDIATELY CALL YOUR GAS SUPPLIER OR FIRE DEPARTMENT.
5. DO NOT TOUCH ELECTRICAL SWITCHES.

FOR YOUR SAFETY

1. DO NOT STORE OR USE GASOLINE OR OTHER FLAMMABLE VAPORS AND LIQUIDS IN THE VICINITY OF THIS OR ANY OTHER APPLIANCE.
2. AN LP CYLINDER NOT CONNECTED FOR USE SHALL NOT BE STORED IN THE VICINITY OF THIS OR ANY OTHER APPLIANCE.

FOR YOUR SAFETY

BE CAREFUL WHEN HANDLING PARTS DURING ASSEMBLY AND USE AS THEY MAY CONTAIN SHARP EDGES. WORK GLOVES ARE HIGHLY RECOMMENDED TO HELP PREVENT POSSIBLE INJURY.

All repair part orders should be placed through your local Broilmaster dealer. To locate a dealer in your area, contact Broilmaster Customer Service at 800-851-3153 • WWW.broilmaster.com. To ensure prompt and accurate service, please provide the following information when placing a repair part order: Model number of your Accessory, Part Name, Part Number, and Quantity of parts needed.

TABLE OF CONTENTS

Congratulations!

You have chosen the finest Built-In Kit for your outdoor cooking pleasure. Please take time to read this entire manual before assembling your premium Broilmaster Built-In Kit.

Location, Connections, and Safety	4
Enclosure Construction Guidelines	5
BHAX2-1 Grill Surround Kits	6 - 9
BHAX2 Grill Surround exploded View & Parts List.....	7
BHAX2 Assembly	8 - 9
BBA-1 Tank Caddy	10 - 13
BBA Tank Caddy Exploded View & Parts List	11
BBA Tank Caddy Installation	12 - 13
DPA152-1 Side Burner Surround Kit	14 - 16
DPA152 Side Burner Surround Kit Exploded View & Parts List	15
DPA152 Installation	16
BDA-1 Single/Double Door Kit	17 - 20
BDA Single Door Exploded View & Parts List	18
BDA Single Door Installation	19
BDA Double Door Installation	20
BRB-1 Vent Register Kit	21 - 22
BRB Vent Register Kit Exploded View & Parts List	22
Warranty	23

Your Broilmaster accessory is identified by model number and gas type. This information is provided on a product identification label located on the accessory. The grill's model number, serial number, and gas type must also be provided when contacting your Broilmaster dealer. For your convenience, complete this section for future reference when contacting your dealer.

Model No. _____ Dealer _____

Dealer Phone No. _____

Gas Type: Propane _____ Natural _____ Date of Purchase _____

LOCATION, CONNECTIONS, AND SAFETY

Built-In Kit Location

Built-In Kits are designed for outdoor use ONLY.

This Built-In Kit is designed for use with all P3, H3, and Q3 Model Broilmaster gas grills and cannot be used with any other grill or in any other capacity.

Never install or operate your Built-In Kit in any building, garage, or other enclosed area.

For your safety, the Built-In Kit should not be installed or operated under any combustible materials, such as carports, covered porches, awnings, or overhangs.

Never install or use your Built-In Kit in or on any recreational vehicle or boat.

CAUTION: THE INSTALLATION AND OPERATION OF THIS BUILT-IN KIT AT CLEARANCES LESS THAN SPECIFIED BELOW MAY LEAD TO THE POSSIBILITY OF FIRE, PROPERTY DAMAGE, OR PERSONAL INJURY.

A minimum clearance of twenty-four (24") inches is required from all sides of the island to any combustible material.

Examples of combustible materials are patio furniture, fences, or the outside of your home.

The area surrounding the built-in kit should be clear to ensure proper ventilation. Do not obstruct the flow of combustion and ventilation air in any way. The ventilation openings on the enclosure must also remain free and clear of debris.

WARNING: DO NOT INSTALL OR OPERATE THIS BUILT-IN KIT WHERE GASOLINE OR OTHER FLAMMABLE MATERIALS ARE USED OR STORED. FAILURE TO COMPLY WITH THIS WARNING COULD RESULT IN EXPLOSION OR FIRE CAUSING PROPERTY DAMAGE OR PERSONAL INJURY.

Connection Requirements

CAUTION: NEVER USE LIQUID PROPANE GAS IN A GRILL DESIGNED FOR NATURAL GAS, OR NATURAL GAS IN A GRILL DESIGNED FOR LIQUID PROPANE GAS. QUESTIONS REGARDING DIFFERENT TYPES OF GASES SHOULD BE DIRECTED TO YOUR LOCAL GAS COMPANY.

Installation must conform to local codes or, in the absence of local codes, with the National Fuel Gas Code, ANSI Z223.1. In Canada, installation shall be in accordance with CAN/CGA-B149.2 Propane Installation Code, or CAN/CGA-B149.1 Natural Gas Installation Code, and local codes where applicable. Consult your local gas company or Propane gas dealer for code regulations and recommended procedures.

Broilmaster gas grills and side burners are NOT equipped with pressure regulators. Your Nat. gas grill operates at a manifold pressure of seven (7") inches water column.

CAUTION: THE GRILL AND ITS INDIVIDUAL SHUTOFF VALVE MUST BE DISCONNECTED FROM THE GAS SUPPLY PIPING SYSTEM DURING ANY SYSTEM PRESSURE TESTING AT TEST PRESSURES IN EXCESS OF 1/2 PSIG.

Checking for Gas Leaks

CAUTION: DO NOT USE AN OPEN FLAME TO CHECK FOR LEAKS. CHECKING FOR LEAKS WITH AN OPEN FLAME MAY LEAD TO A FIRE OR EXPLOSION, RESULTING IN PROPERTY DAMAGE OR PERSONAL INJURY.

Using the following steps, check for gas leaks during initial use and each time your Broilmaster gas grill or side burner is connected to gas or is connected to a cylinder that has not been used recently

1. Using dish washing detergent and water, make a soapy solution.
2. Turn OFF the knob on both the grill and side burner's control panel.
3. Turn ON the gas at the supply. *A hissing sound indicates a leak.* Turn OFF the gas and repair all leaks.
4. If no hissing occurs, apply the soapy solution to all gas connections.
5. Look for bubbles. *Bubbles indicate a leak.*
6. If there are bubbles, turn OFF the gas and repair all leaks.
7. Turn the gas ON and repeat the above procedure until all leaks are repaired.
8. Rinse soap off after done checking for leaks.

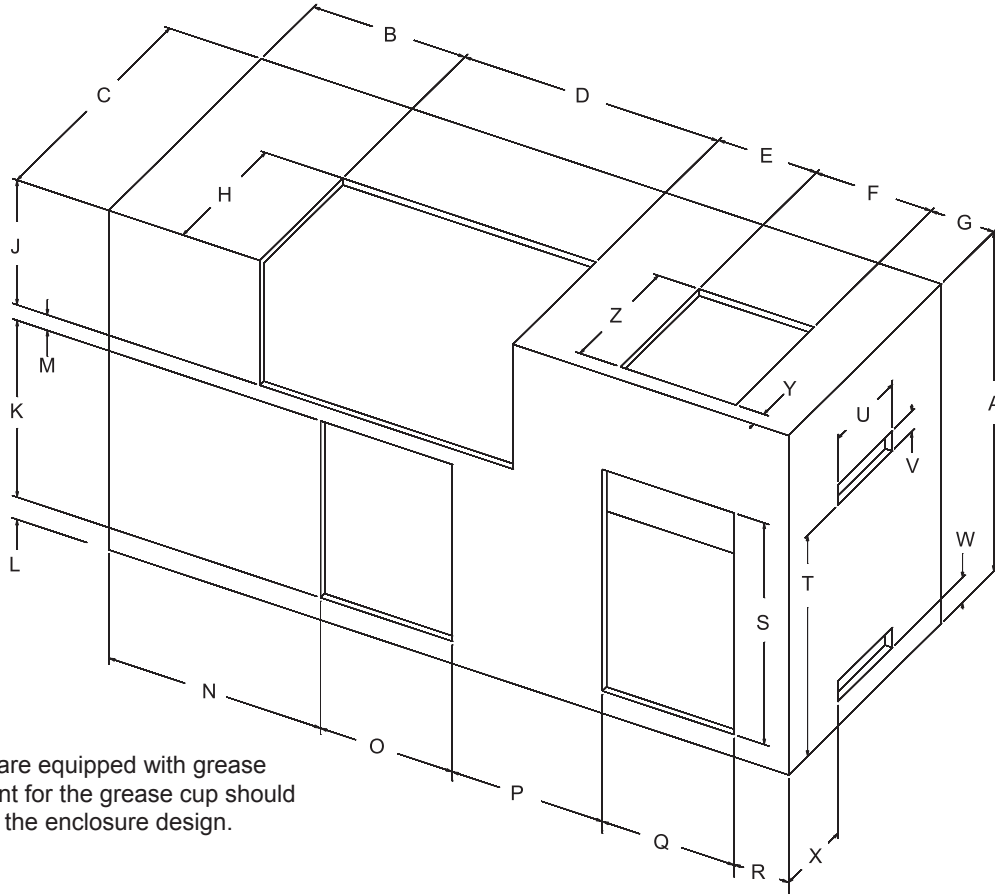
ENCLOSURE CONSTRUCTION GUIDELINES

Enclosure must be construction from non-combustible material.

Screws for enclosure mounting have been supplied. Installer must measure for thickness and use appropriate hardware for installation. If the enclosure is constructed from masonry materials, it may be necessary to substitute appropriate screws and fasteners.

This diagram is only a basic plan for constructing an enclosure for your built-in kit. All construction and installation should comply with all local building codes and requirements.

It may be necessary to adjust the “H” and “J” dimensions to accomodate the finishing materials used on the top and front surfaces..



Note: Side burners are equipped with grease cups. An access point for the grease cup should be incorporated into the enclosure design.

MINIMUM REQUIREMENTS

Key Dimension in Inches

A	38-1/4 (Minimum)
B	16 (Minimum)
C	26-1/2 (Minimum)
D	27
E	10-1/2
F	12-3/4
G	6 (Minimum)
H	13-1/4
J	14
K	19-7/8
L	2-5/8 (Minimum)
M	1-3/4
N	22-3/8 (Single) - 15-5/8 (Double)

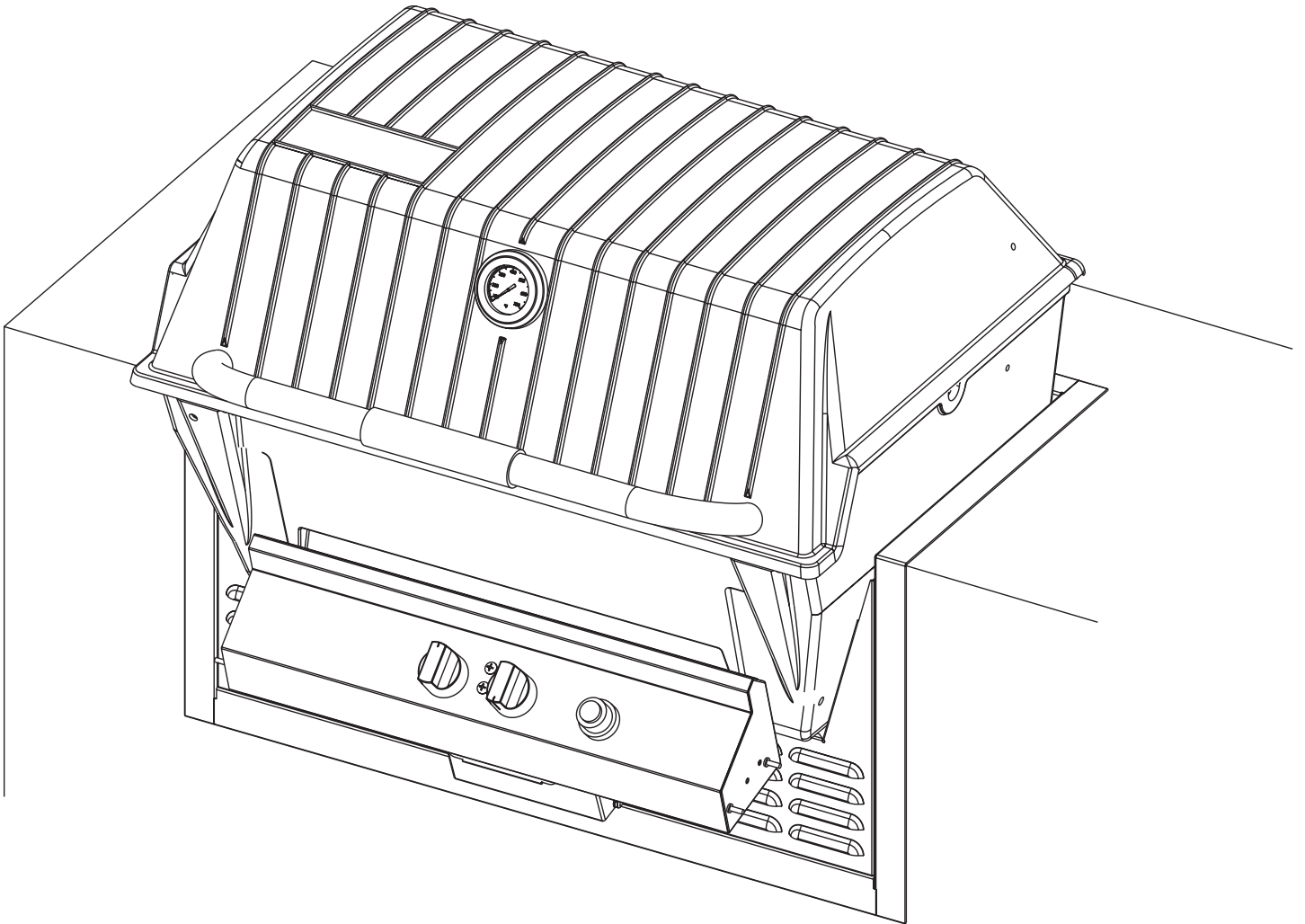
Key Dimension in Inches

O	14 (Single) - 27-1/2 (Double)
P	15-7/8 (Single) - 9-1/8 (Double)
Q	13-15/16
R	5 Minimum
S	24-13/16
T	24-3/4
U	10
V	2-1/4
W	2-3/4
X	9
Y	3/4 Minimum
Z	15-1/4

BHAX2-1 GRILL SURROUND KITS

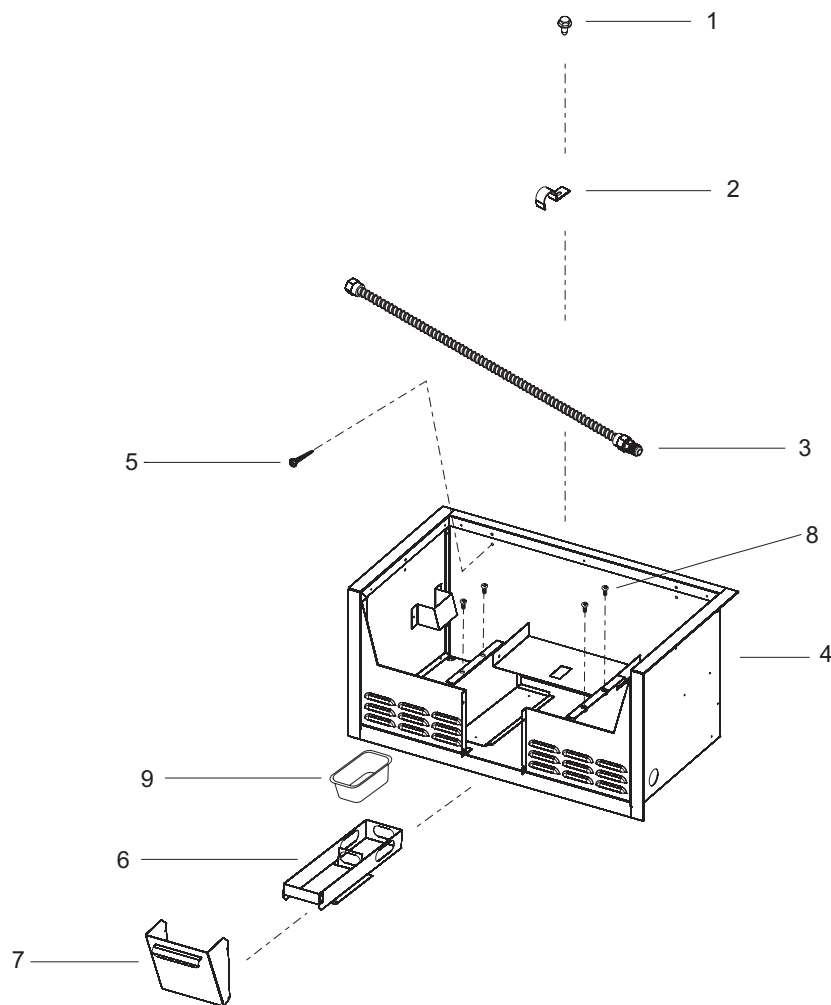
INSTALLATION INSTRUCTIONS

NOTICE: REFER TO THE BUILT-IN KIT ENCLOSURE CONSTRUCTION GUIDE ON PAGE 5 FOR PROPER DIMENSIONS OF THE OPENING FOR THE BHAX2-1 GRILL SURROUND KIT



BHAX2-1 GRILL SURROUND EXPLODED VIEW & PARTS LIST

All repair part orders should be placed through your local Broilmaster dealer. To locate a dealer in your area, contact Broilmaster Customer Service at 800-851-3153 • www.broilmaster.com. To ensure prompt and accurate service, please provide the following information when placing a repair part order: Model Number, Part Name, Part Number, and Quantity of parts needed.



Index No.	Part No.	Description	Quantity
1	R2737	#10 x 1/2 Phillips Head Screw	1
2	B101206	Flexline Bracket	1
3	B101205	Flexline	1
4	B102309	Body Assembly	1
5	R11183	#10 x 1 Pan Head Screw	6
6	B102288	Grease Drawer	1
7	B102311	Door Assembly	1
8	B100113	1/4 - 20 x 1 1/4 Screw	4
9	B060337	Grease Cup	2

Verify that all parts listed on the exploded view of this manual have been included in this Built-In Kit before beginning installation.

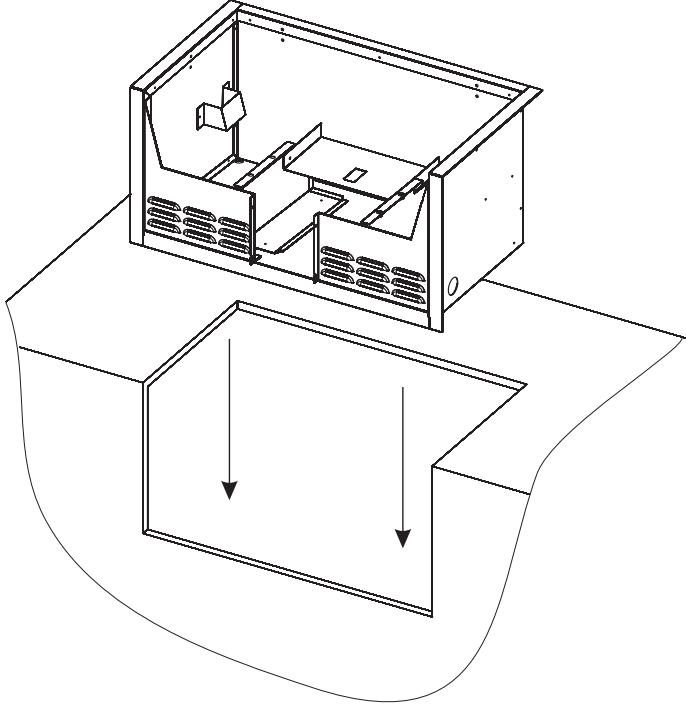
Caution: Use caution when handling parts, as they may contain sharp edges. Work gloves are recommended to prevent injury.

Tools Required: Phillips Head Screw Driver (An electric screw gun is recommended to ease installation)

BHAX2 ASSEMBLY

Attention: If applicable, remove protective film from parts before installation.

1. Place the BHAX2 surround into position in the constructed enclosure. See Figure 1. Check fit of Built-In surround in constructed enclosure.



Note: If a Q3 Series grill is to be installed, a Pipe Extension Kit (DPA148) must be used. Refer to DPA148 instructions before proceeding.

Figure 1

2. Secure the BHAX2 surround to the enclosure using six #10 x 1" self-drilling screws. See Figure 2.
Note: If you have a masonry structure you may need to substitute for the appropriate masonry fasteners.

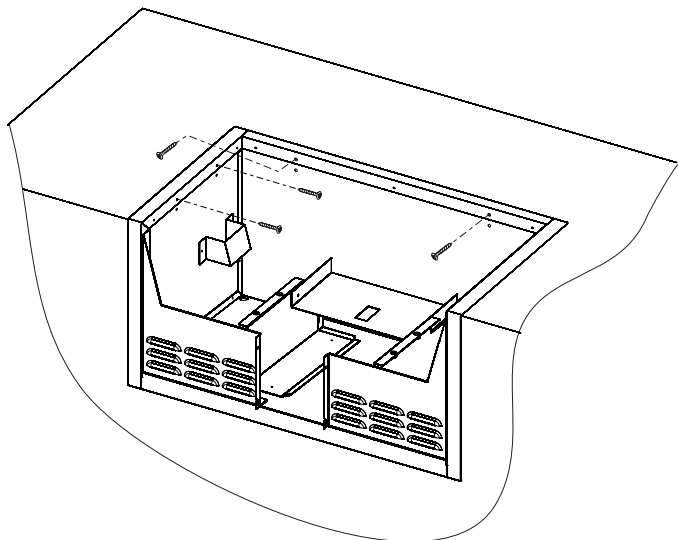


Figure 2

3. Place the grease drawer into BHAX2 surround by sliding it under the bracket. See Figure 3.

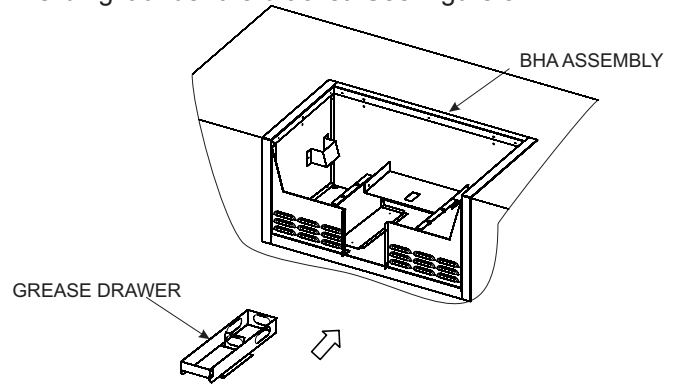


Figure 3

4. The flex line may be routed through either side. Attach the flex line to the bottom of the BHAX2 surround using the flex line bracket and screw. See Figure 4.

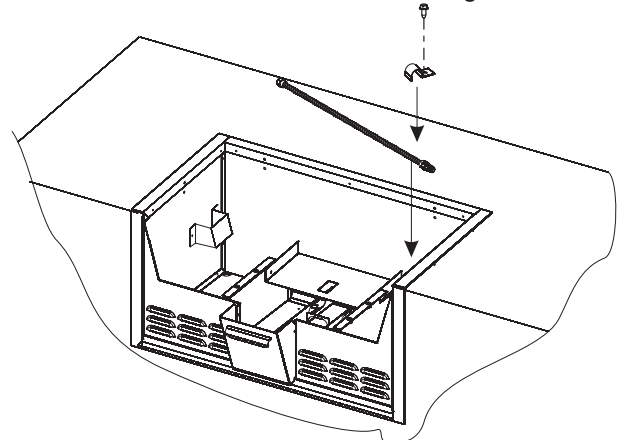


Figure 4

Note: Install the service shut-off valve in a nearby accessible location.

5. After insuring that all the contents are removed from the inside of the grill, install the grill in the BHAX2 surround by slightly tilting the grill forward and placing it on the top of the support bracket. The lid may be temporarily removed to ease installation (not shown). See Figure 5.

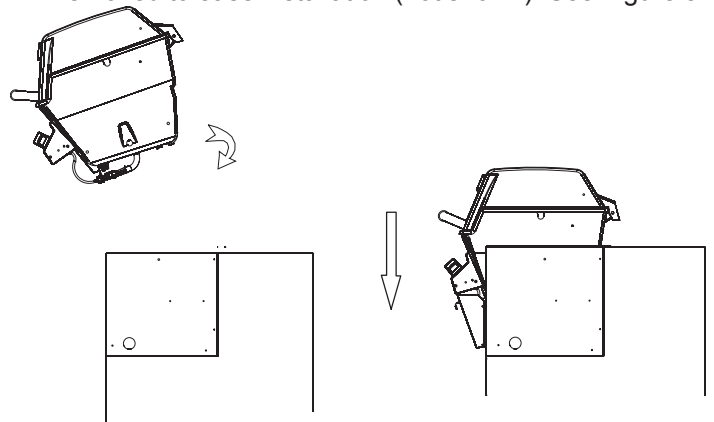


Figure 5

BHAX2 ASSEMBLY

6. Mount the grill to the BHAX2 surround using four 1/4-20 x 1 1/4" screws. See Figure 6.

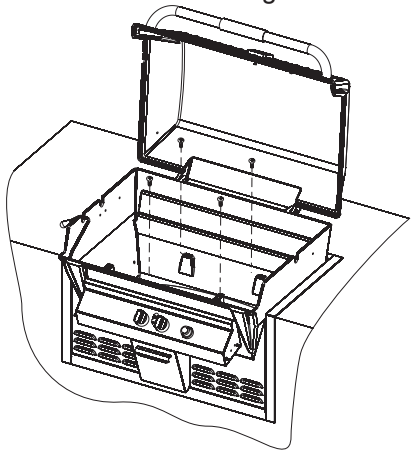


Figure 6

7. Check for gas leaks as discussed in the "Checking for Gas Leaks" Section of this manual on page 4.
8. Open door and connect flex line to the main valve, then close the door. Figure 7.

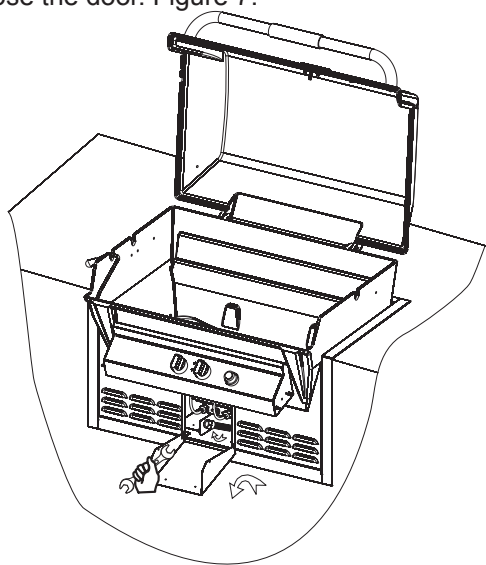


Figure 7

9. Connect ignitor wires before closing the door (see grill assembly manual). Route ignitor wires above venturi tubes to prevent them interfering with the grease door.

10. Install each of the four vent covers (BRB Vent Register Kit) into the Built-In Kit Enclosure using two #8 x 3/4" screws. See Figure 8.

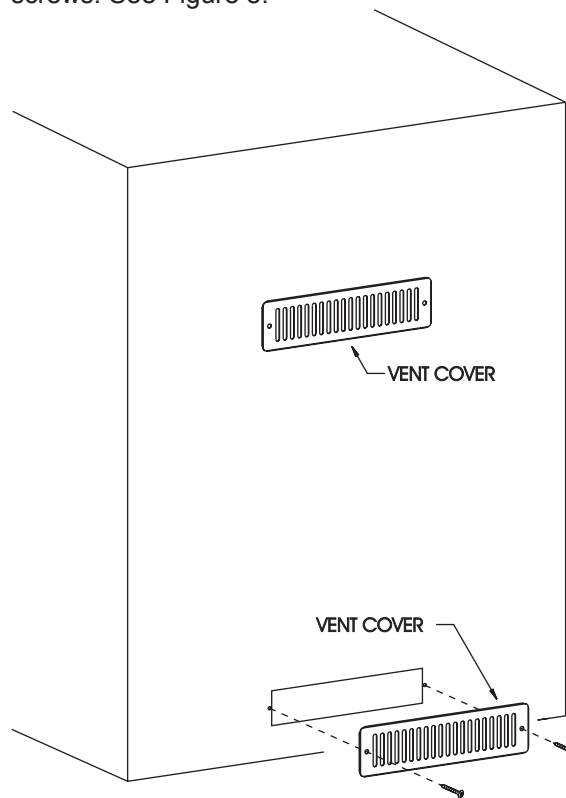


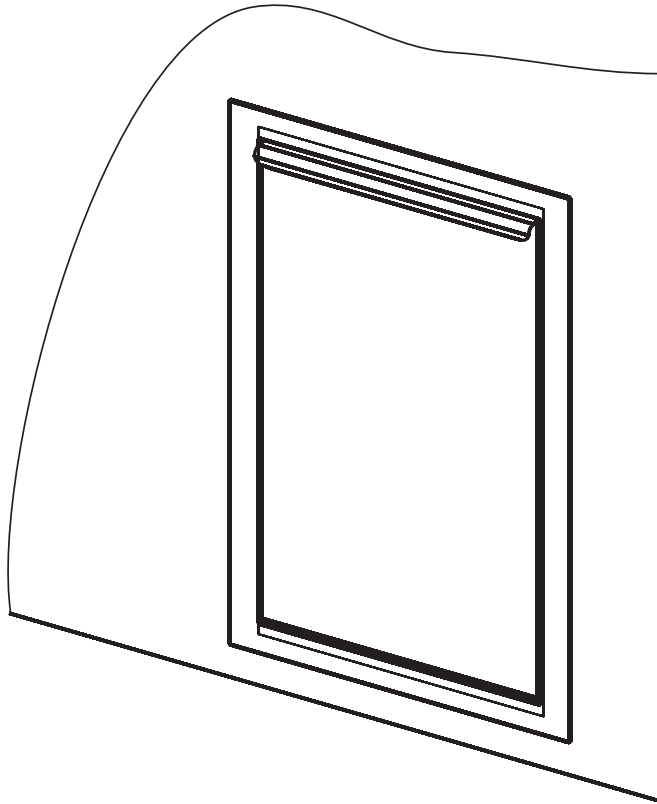
Figure 8

Refer to your Grill Head Installation Instructions to complete installation of your Broilmaster grill.

BBA-1 TANK CADDY

INSTALLATION INSTRUCTIONS

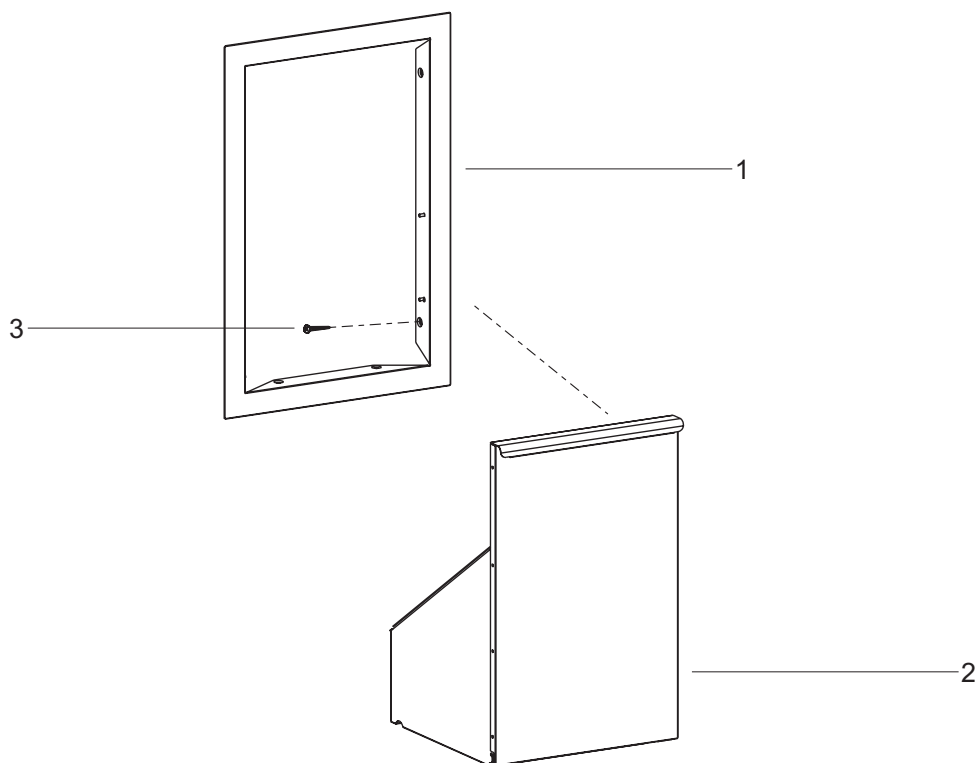
NOTICE: REFER TO THE BUILT-IN KIT ENCLOSURE CONSTRUCTION GUIDE FOR PROPER DIMENSIONS OF THE OPENING FOR THE BBA-1 TANK CADDY.



**THE BBA TANK CADDY IS DESIGNED TO BE USED AS AN ENCLOSURE FOR A PORTABLE PROPANE TANK.
PLEASE REFER TO THE APPROPRIATE SECTIONS OF THIS
MANUAL FOR PROPANE TANK REQUIREMENTS, CONNECTIONS, AND SAFETY.**

BBA TANK CADDY EXPLODED VIEW AND PARTS LIST

All repair part orders should be placed through your local Broilmaster® dealer. To locate a dealer in your area, contact Broilmaster® Customer Service at 800-851-3153 • WWW.broilmaster.com. To ensure prompt and accurate service, please provide the following information when placing a repair part order: Model number of your Single Door, Part Name, Part Number, and Quantity of parts needed.



PARTS LIST			
Index No.	Part No.	Description	Quantity
1	B101180	BBA Frame Assembly	1
2	B101181	BBA Door Assembly	1
3	B101022	8 x 3/4" Hex Head Screw	8

VERIFY THAT ALL PARTS LISTED IN THE EXPLODED VIEW ON THIS PAGE HAVE BEEN INCLUDED IN THIS BUILT-IN KIT BEFORE BEGINNING THIS INSTALLATION.

CAUTION: USE CAUTION WHEN HANDLING PARTS, AS THEY MAY CONTAIN SHARP EDGES. WORK GLOVES ARE RECOMMENDED TO PREVENT INJURY.

BBA TANK CADDY INSTALLATION

Recommended Tools: Phillips Screw Driver or an electric screw driver.

1. Make sure BBA Tank Caddy opening dimensions match those in Figure 1. Place the BBA Frame Assembly in the Built-In Enclosure.

Secure the BBA Frame to the Enclosure with eight 8 x 3/4" Hex Head screws as shown in Figure 1.

Note: The hinge pins on the BBA Frame will be located near the bottom of the Built-In Enclosure when properly installed. Also See the proper dimensions of the opening in Figure 1

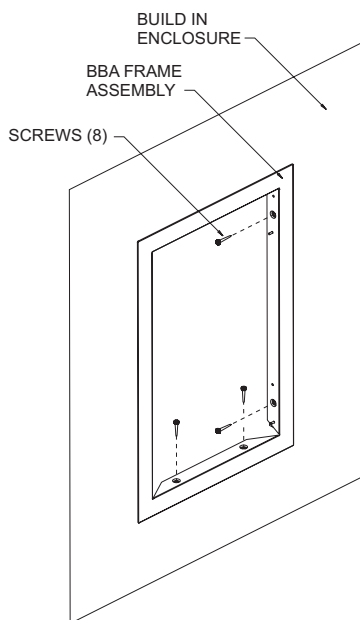
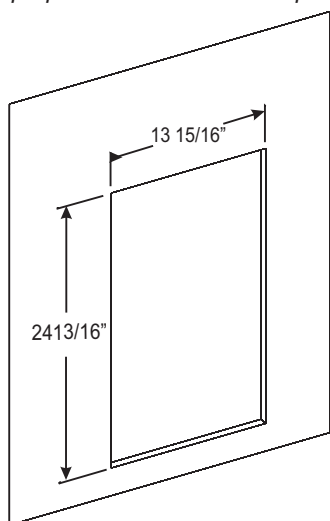


Figure 1

2. While positioned on its side, place the BBA Door Assembly into the BBA Frame opening. See Figure 2.

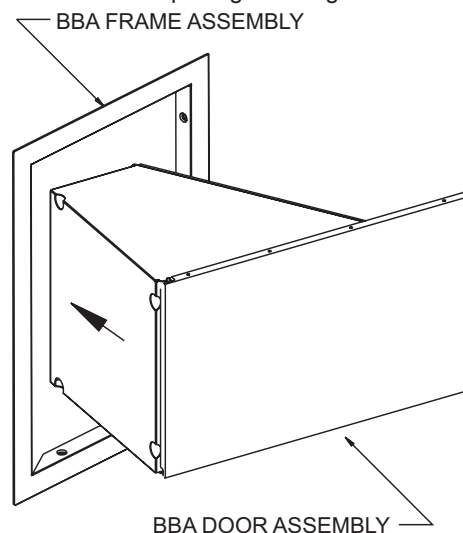


Figure 2

3. Once located inside the BBA Frame, rotate the BBA Door to the upright position. See Figure 3.

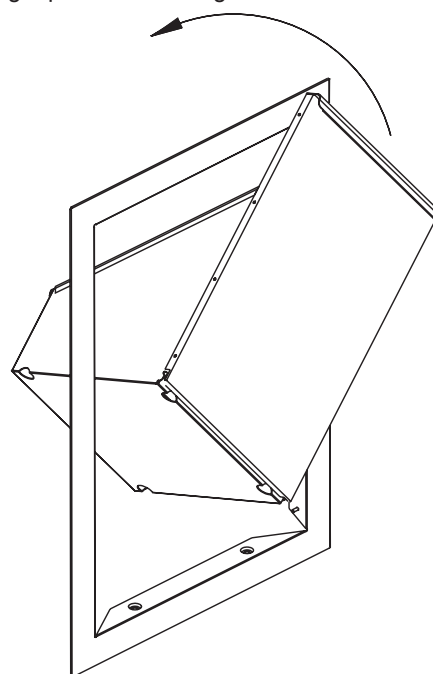


Figure 3

BBA TANK CADDY INSTALLATION

4. Lower the BBA Door Assembly onto the two hinge pins inside the lower left and right sides of the BBA Frame. See Figure 4 .

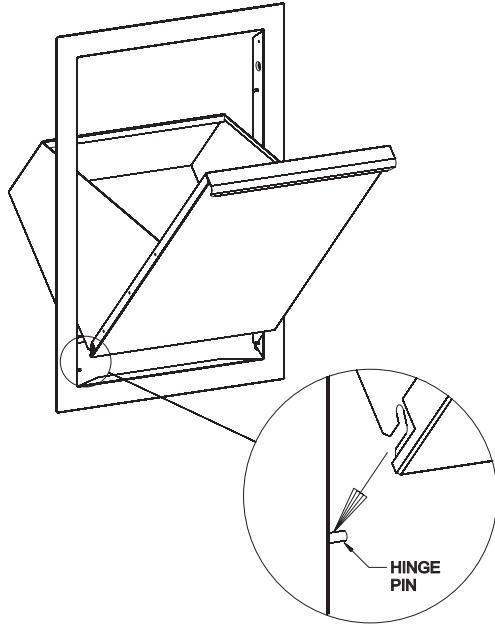


Figure 4

ENCLOSURE REQUIREMENTS

The enclosure design must be constructed to allow only storage of the LP cylinder in use thus preventing storage of a second cylinder. Tank caddy must be provided for use in the enclosure when employing the propane self-contained system so as to prevent the lateral movement of the propane tank cylinder from its enclosure.

An enclosure for a LP gas cylinder shall be ventilated by openings at the level of the cylinder valve and at floor level. The effectiveness of opening(s) for purposes of ventilation shall be determined with the LP gas supply cylinder in place. This shall be accompanied by one of the following: enclosure with one side completely open; or enclosure having four sides, a top and a bottom. Refer to the Built-In Kit enclosure construction guide for proper dimensions of the opening for the BBA-1 Tank Caddy.

1. At least two ventilation openings at cylinder valve level shall be provided in the side wall, equally sized, spaced at 180 degrees (3.14 rad), and unobstructed. Each opening shall have a total free area of not less than 1/2 square inch per pound (7.1 cm²/kg) of stored fuel capacity and not less than a total free area of 10 square inches (64.5 cm²).
2. Ventilation opening(s) shall be provided at floor level and shall have a total free area of not less than 1/2 square inch per pound (7.1 cm²/kg) of stored fuel capacity and not less than a total free area of 10 square inches (64.5 cm²). If ventilation openings at floor level are in a side wall, there shall be at least two openings. The bottom of the openings shall be at floor level and the upper edge no more than 5 inches (127 mm) above the floor. The openings shall be equally sized, spaced at 180 degrees (3.14 rad) and unobstructed.
3. Every opening shall have minimum dimensions so as to permit the entrance of an 1/8 inch (3.2 mm) diameter rod.

The cylinder valve shall be readily accessible for hand operation. A door on the enclosure to gain access to the cylinder valves is acceptable, provided it is non-locking and can be opened without the use of tools.

The enclosure for the LP gas cylinder shall isolate the cylinder from the burner compartment to provide shielding from radiant heat, a flame barrier, and protection from foreign material, such as hot drippings.

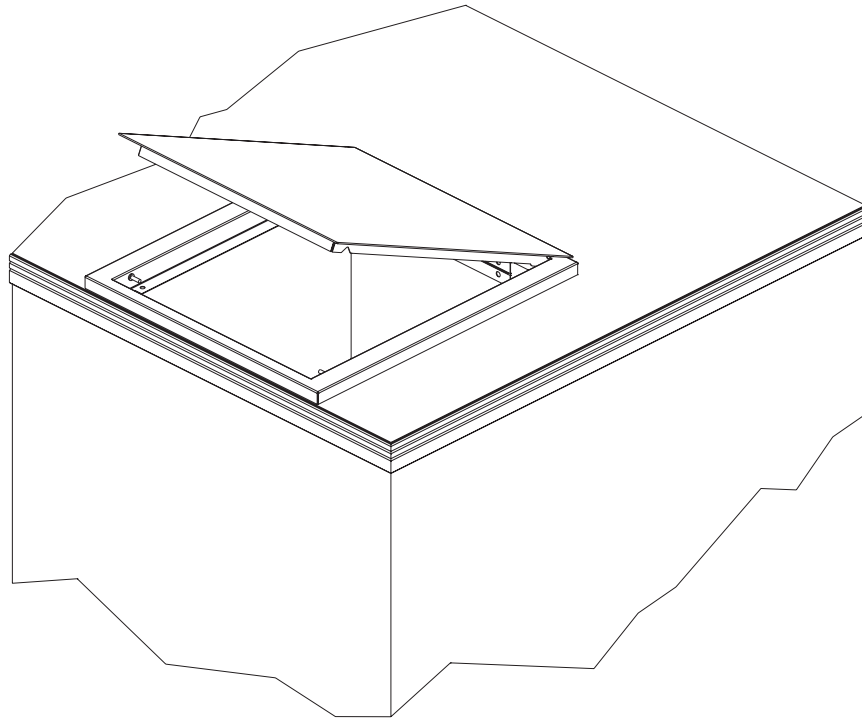
There shall be a minimum clearance of 2 inches (50.8 mm) between the floor of the LP gas cylinder enclosure and the ground.

The design of the outdoor cooking gas appliance shall be such that the LP gas cylinder can be connected, disconnected and the connections inspected and tested outside the cylinder enclosure; and those connections which could be disturbed when installing the cylinder in the enclosure can be leak tested inside the enclosure.

DPA152-1 SIDE BURNER SURROUND KIT

INSTALLATION INSTRUCTIONS

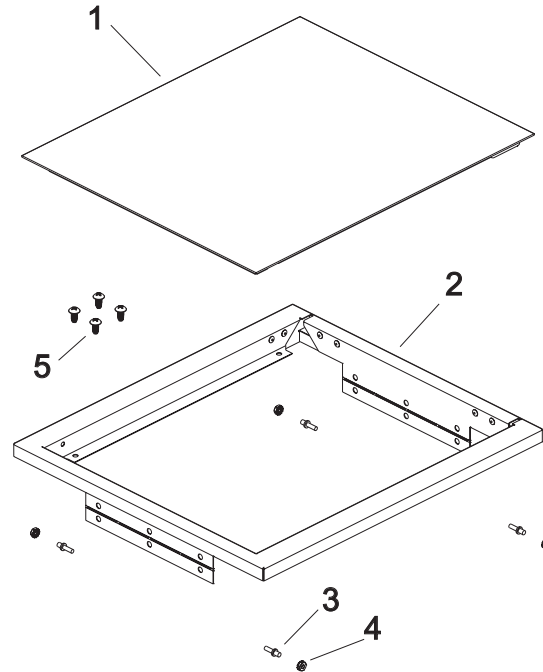
NOTICE: REFER TO THE BUILT-IN KIT SURROUND CONSTRUCTION GUIDE FOR PROPER DIMENSIONS OF THE OPENING FOR THE DPA152-1 SIDE BURNER SURROUND



THE DPA152 SIDE BURNER SURROUND IS DESIGNED TO BE USED WITH THE DPA150 or DPA151 NATURAL and PROPANE GAS SIDE BURNER ONLY. DO NOT USE ANY OTHER SIDE BURNER WITH THE DPA152 SIDE BURNER SURROUND.

DPA152 SIDE BURNER SURROUND EXPLODED VIEW AND PARTS LIST

All repair part orders should be placed through your local Broilmaster dealer. To locate a dealer in your area, contact Broilmaster Customer Service at 800-851-3153 • www.broilmaster.com. To ensure prompt and accurate service, please provide the following information when placing a repair part order: Model number of your Side Burner, Part Name, Part Number, and Quantity of parts needed.



PARTS LIST			
Index No.	Part No.	Description	Quantity
1	B101946	LID	1
2	B101945	BASE	1
3	B073963	PIN	4
4	B073967	10-24 KEPS NUT	4
5	B101902	1/4-20 X 1/2 SCREW	4

VERIFY THAT ALL PARTS LISTED IN THE EXPLODED VIEW ON THIS PAGE HAVE BEEN INCLUDED IN THIS BUILT-IN KIT BEFORE BEGINNING THIS INSTALLATION.

CAUTION: USE CAUTION WHEN HANDLING PARTS, AS THEY MAY CONTAIN SHARP EDGES. WORK GLOVES ARE RECOMMENDED TO PREVENT INJURY.

DPA152 INSTALLATION

Recommended Tools: Phillips Screw Driver or an electric screw driver. A #3 bit is recommended for the 1/4 - 20 x 1/2 screws.

1. Make sure the DPA152 surround opening dimensions match those in Figure 1.

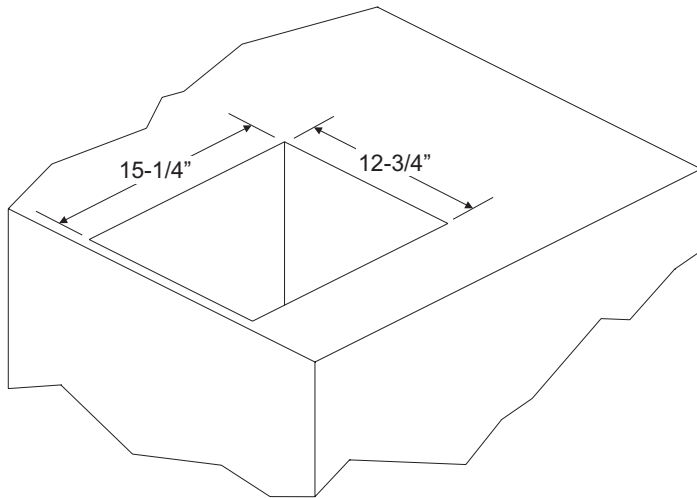


Figure 1

2. Before installing built-in surround, peel protective film from all parts, remove the lid, and unfold mounting flanges on base. See Figure 2.

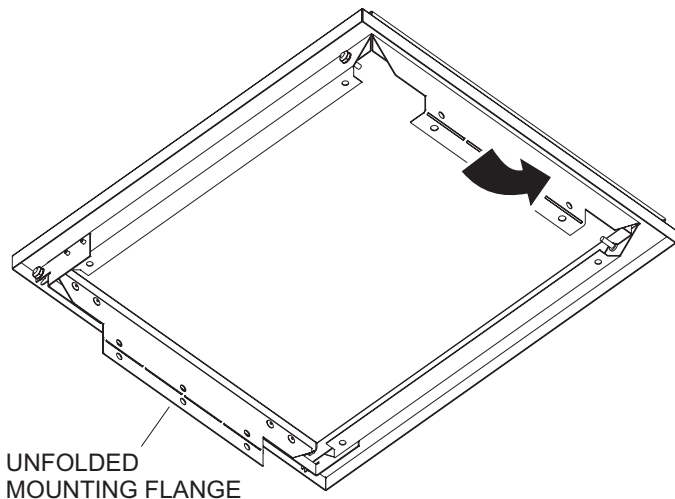


Figure 2

3. Remove lid and place the DPA152 surround into the enclosure and check for proper hole alignment. Secure the DPA 152 surround the enclosure with four #8x3/4" screws (not supplied). See Figure 3.

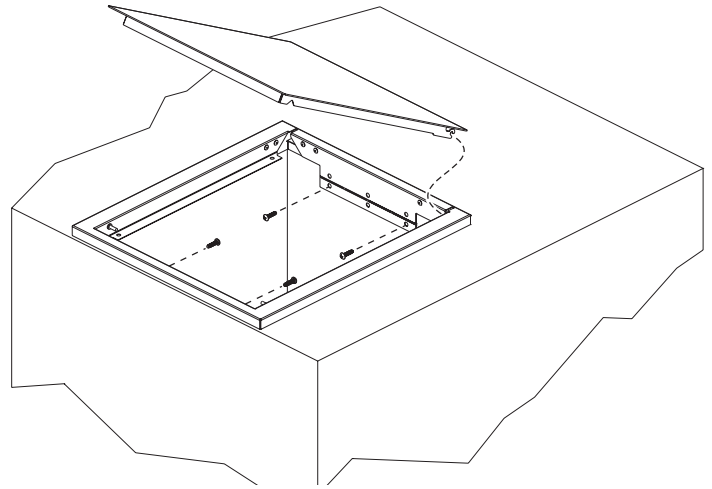


Figure 3

4. Attach the gas line to the side burner before installing into the DPA152 surround. See side burner instructions.
5. Place the side burner into the DPA152 surround. See Figure 4.

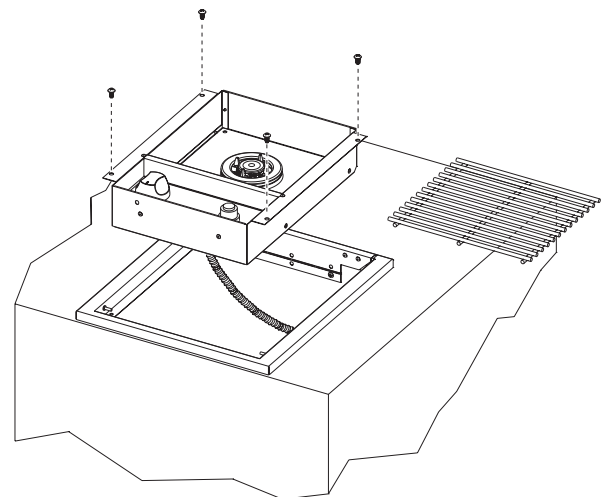


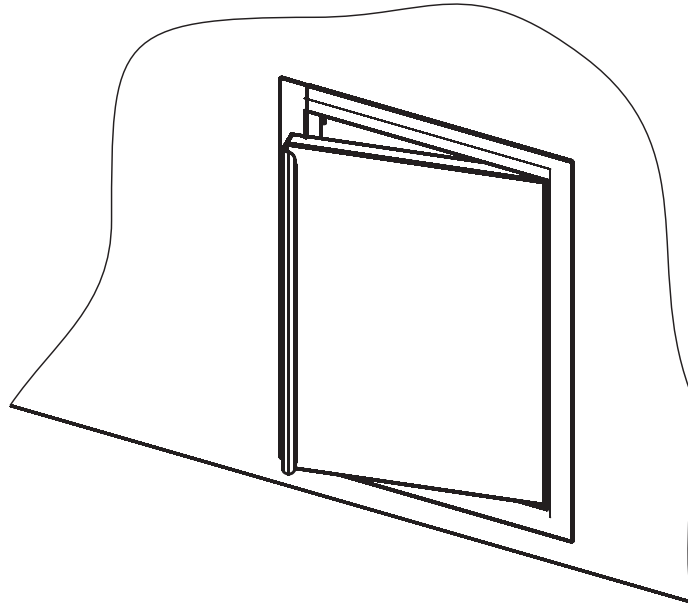
Figure 4

6. Align the four holes on the side burner flange with the four holes on the DPA152 surround and attach with four 1/4-20 x 1/2 screws. See Figure 4.
7. Finish gas line connection and assembly of the side burner as per the side burner installation instructions.
8. Reinstall lid.

BDA-1 SINGLE/DOUBLE DOOR KIT

INSTALLATION INSTRUCTIONS

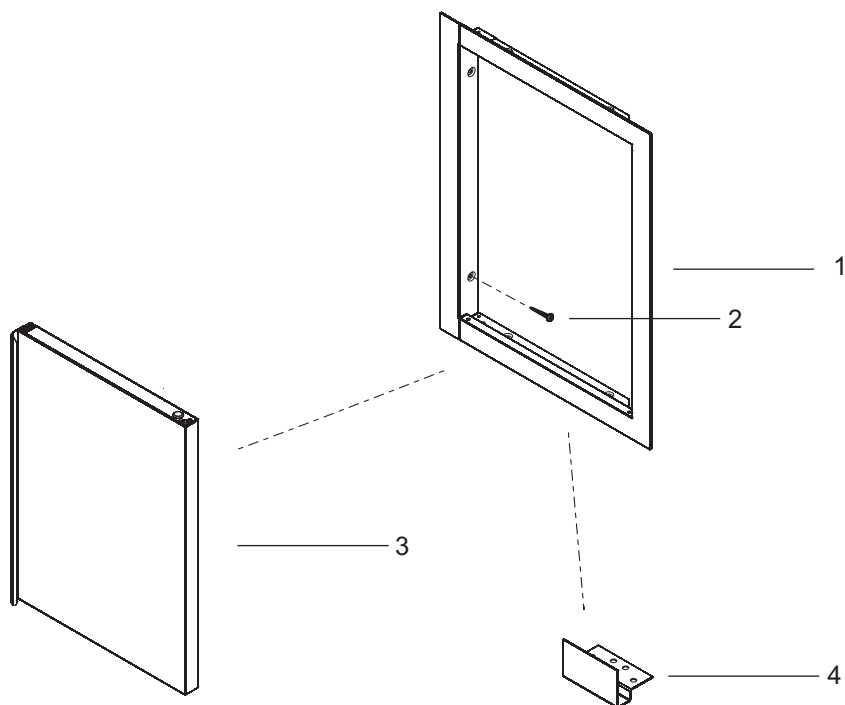
NOTICE: REFER TO THE BUILT-IN KIT ENCLOSURE CONSTRUCTION GUIDE FOR PROPER DIMENSIONS OF THE OPENING FOR THE BDA-1 SINGLE/DOUBLE DOOR KIT



THE BDA SINGLE DOOR KIT IS DESIGNED TO BE USED IN AN ISLAND OR OTHER APPLICATION.

BDA SINGLE DOOR EXPLODED VIEW AND PARTS LIST

All repair part orders should be placed through your local Broilmaster® dealer. To locate a dealer in your area, contact Broilmaster® Customer Service at 800-851-3153 • www.broilmaster.com. To ensure prompt and accurate service, please provide the following information when placing a repair part order: Model number of your Single Door, Part Name, Part Number, and Quantity of parts needed.



PARTS LIST			
Index No.	Part No.	Description	Quantity
1	B101191	BDA Door Frame	1
2	B101022	8 x 3/4" Hex Head Screw	8
3	B101192	BDA Door	1
4	B101153	BDA Door Bracket (used on double door installation only)	1

VERIFY THAT ALL PARTS LISTED IN THE EXPLODED VIEW ON THIS PAGE HAVE BEEN INCLUDED IN THIS BUILT-IN KIT BEFORE BEGINNING THIS INSTALLATION.
CAUTION: USE CAUTION WHEN HANDLING PARTS, AS THEY MAY CONTAIN SHARP EDGES. WORK GLOVES ARE RECOMMENDED TO PREVENT INJURY.

BDA SINGLE DOOR INSTALLATION

Attention: If Applicable, remove protective film from parts before installation.

Recommended Tools: Phillips Screw Driver or an electric screw driver.

1. The BDA Single Door will be fully assembled when it is shipped out. Remove door from frame by depressing one of the spring loaded pins and set aside. See Figure 1.

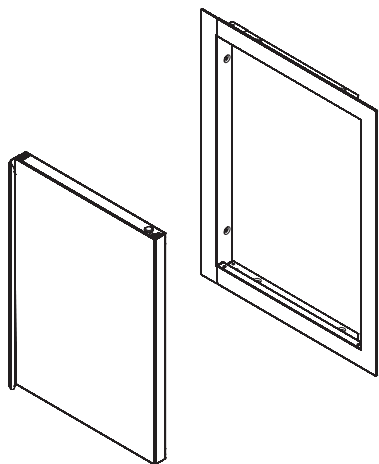


Figure 1

2. Make sure BDA Single Door opening dimensions match those in Figure 2. Place the Frame into the opening and check for proper hole alignment. Secure the Frame to the grill enclosure with eight (8) 8 x 3/4" Hex Head Screw screws. See Figure 3.

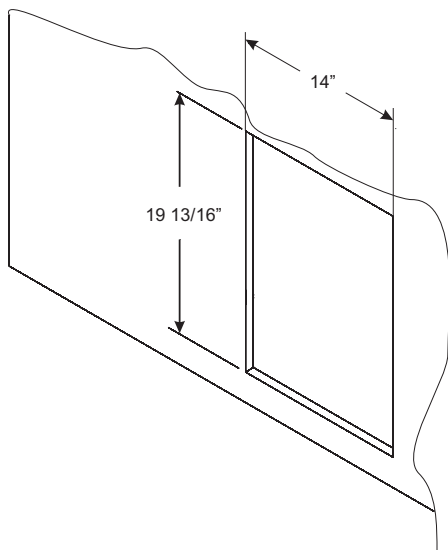


Figure 2

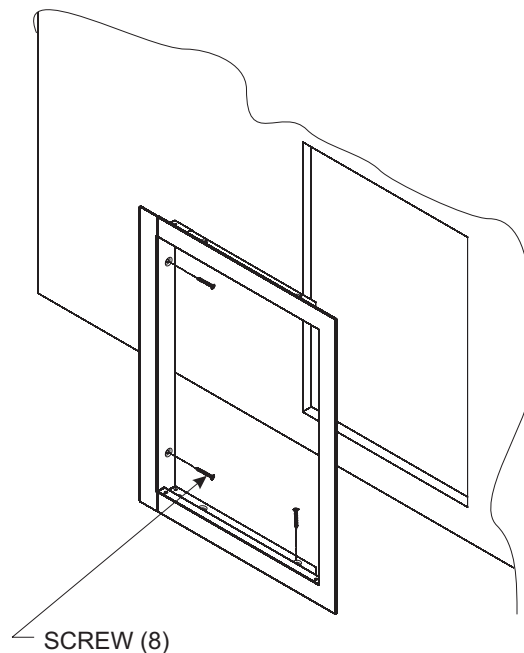


Figure 3

3. Secure the BDA Door to the door frame by inserting the spring loaded pin in the bottom frame hole. Locate the upper hole in the frame then push on the spring loaded pin on the door and insert the door in the frame. See Figure 4. **Make sure the Door is Aligned and Secured properly by opening and closing door.**

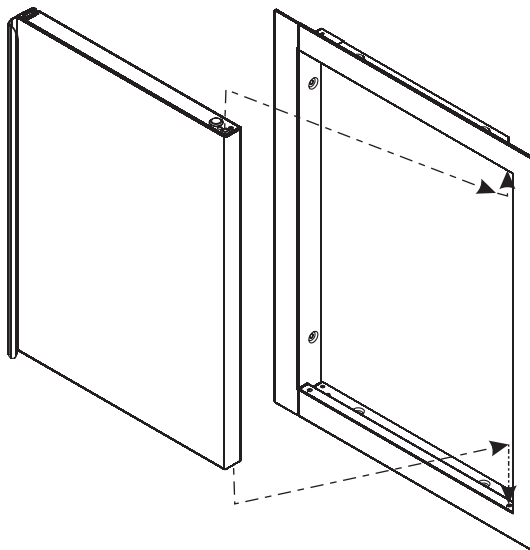


Figure 4

BDA DOUBLE DOOR INSTALLATION

NOTE: You will need two BDA door kits for this installation.

1. Remove doors from frames by depressing one of the spring loaded pins on each door and set them aside. Disassemble frame by removing the two screws and door pin from both door frames as shown in Figure 5.

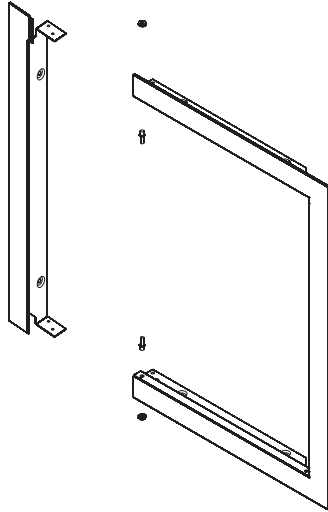


Figure 5

2. Use the door brackets included in the hardware packages to combine the frames. Use the screws from the single door to attach the bracket, and place the door pin in position. See Figure 6.

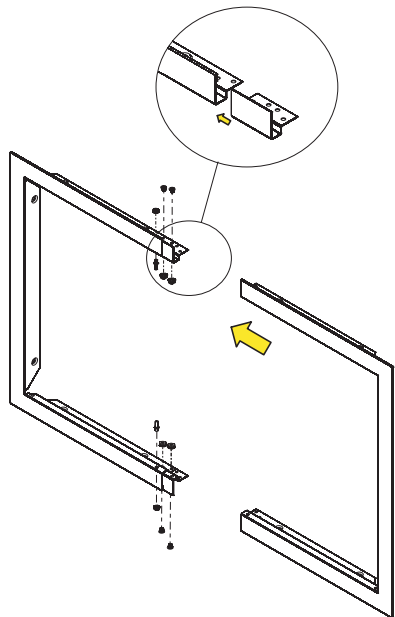


Figure 6

3. Make sure BDA Double Door opening dimensions match those in Figure 7. Place the Frame into the opening and check for proper hole alignment. Secure the Frame to the enclosure with 2 screws. See Figure 7. Secure the Doors to the door frame by inserting the spring loaded pins in the bottom frame holes. Locate the upper hole in the BDA frame and push on the spring loaded pin on the door and insert it into the frame. See Figure 4. **Make sure the Door is Aligned and Secured properly by opening and closing door.**

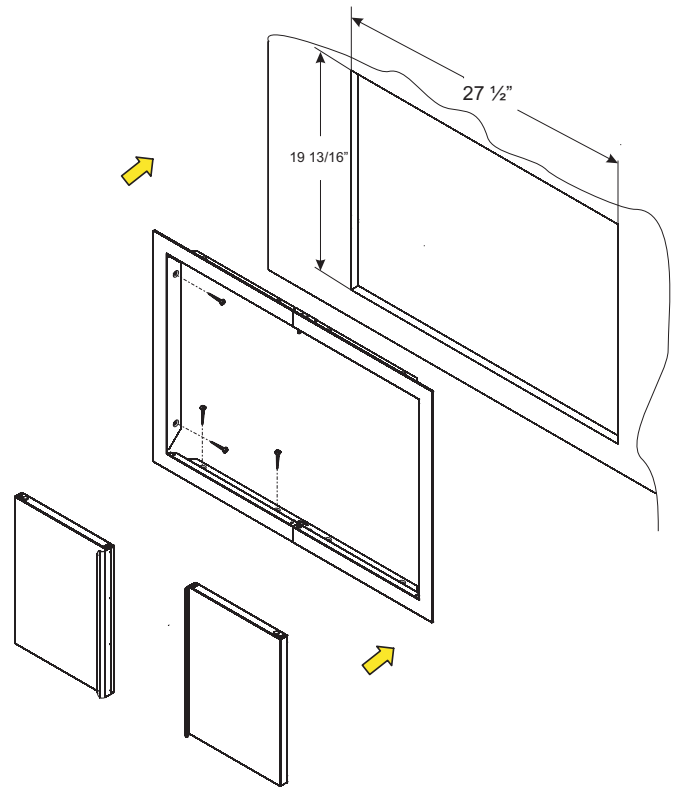
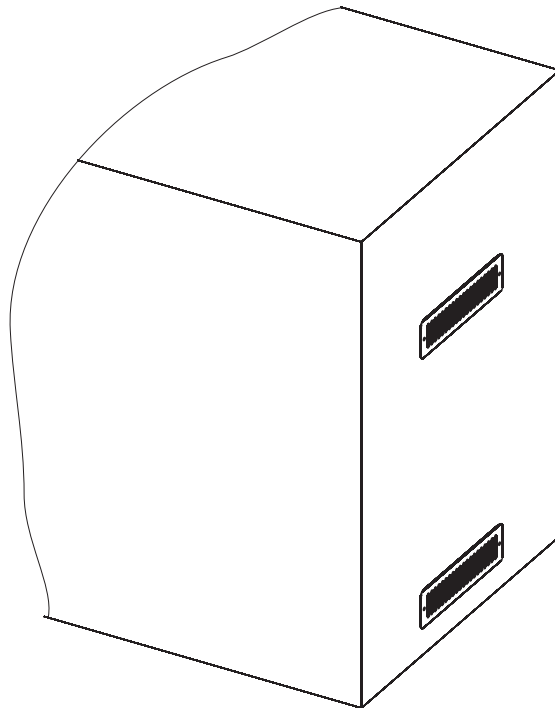


Figure 7

BRB-1 VENT REGISTER KIT

INSTALLATION INSTRUCTIONS

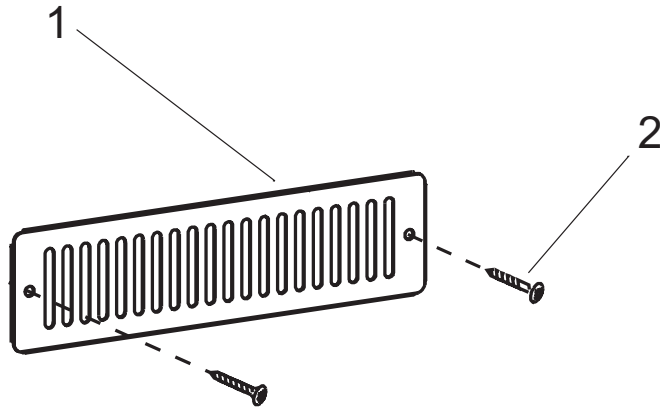
NOTICE: REFER TO THE BUILT-IN KIT ENCLOSURE CONSTRUCTION GUIDE FOR PROPER DIMENSIONS OF THE OPENING FOR THE BRB-1 VENT REGISTER KIT



The BRB Vent Register Kit is designed to be used with any enclosure that has an LP tank.

BRB VENT REGISTER COVER KIT EXPLODED VIEW AND PARTS LIST

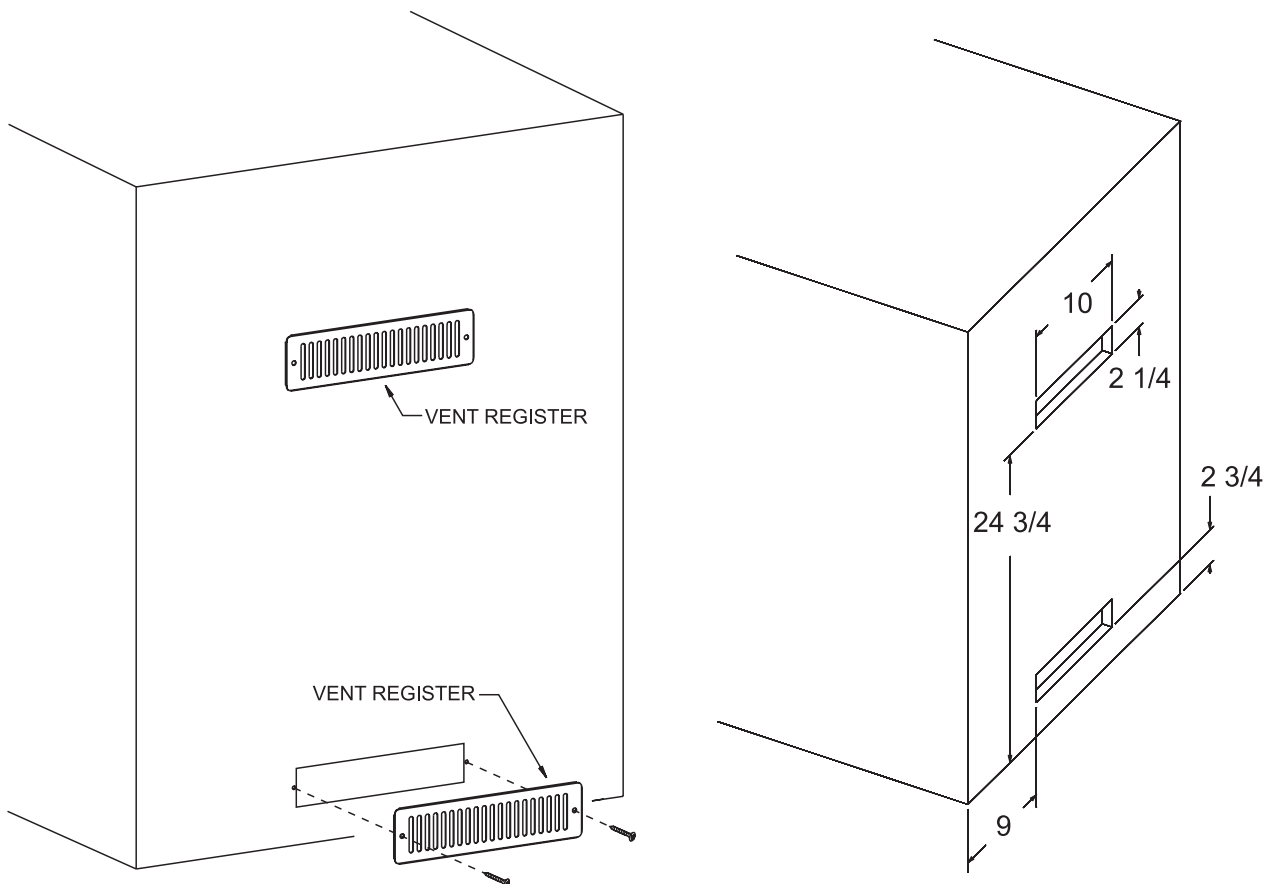
All repair part orders should be placed through your local Broilmaster® dealer. To locate a dealer in your area, contact Broilmaster® Customer Service at 800-851-3153 • www.broilmaster.com. To ensure prompt and accurate service, please provide the following information when placing a repair part order: Model number of your Side Burner, Part Name, Part Number, and Quantity of parts needed.



PARTS LIST			
Index No.	Part No.	Description	Quantity
1	B071712	Vent Register	2
2	B101022	8 x 3/4" Hex Head Screw	4

Two BRB Vent Register kits are needed for proper installation.

Install two vent registers into each side of the Built-In Kit Enclosure using two screws per vent register.





LIMITED WARRANTY

Manufactured in U.S.A. by Broilmaster, a Division of Empire Comfort Systems, Inc.,
P.O. Box 529, Belleville, Illinois 62222.

WHAT IS COVERED AND FOR HOW LONG

From the date these kits are purchased for use, Broilmaster will make available, at our factory, a free replacement for any defective part covered by this warranty on the following basis:

LIMITED LIFETIME WARRANTY

Stainless Components for Built-In Series (BHA, BBA, DPA152, BDA, & BRB)



**THE MOST DURABLE GRILL
KNOWN TO MAN**

BROILMASTER

A Division of Empire Comfort Systems, Inc.

918 Freeburg Ave.

Belleville, Illinois 62220

Phone: 1-800-851-3153

FAX: 1-800-443-8648

VISIT OUR WEB SITE AT WWW.broilmaster.com