

This Owner's Manual is provided and hosted by [Appliance Factory Parts](#).



MASTERBUILT GRAVITY SERIES 560 Owner's Manual

[Shop genuine replacement parts for MASTERBUILT
GRAVITY SERIES 560](#)



[Find Your MASTERBUILT Grill Parts - Select From 590 Models](#)

----- Manual continues below part list -----

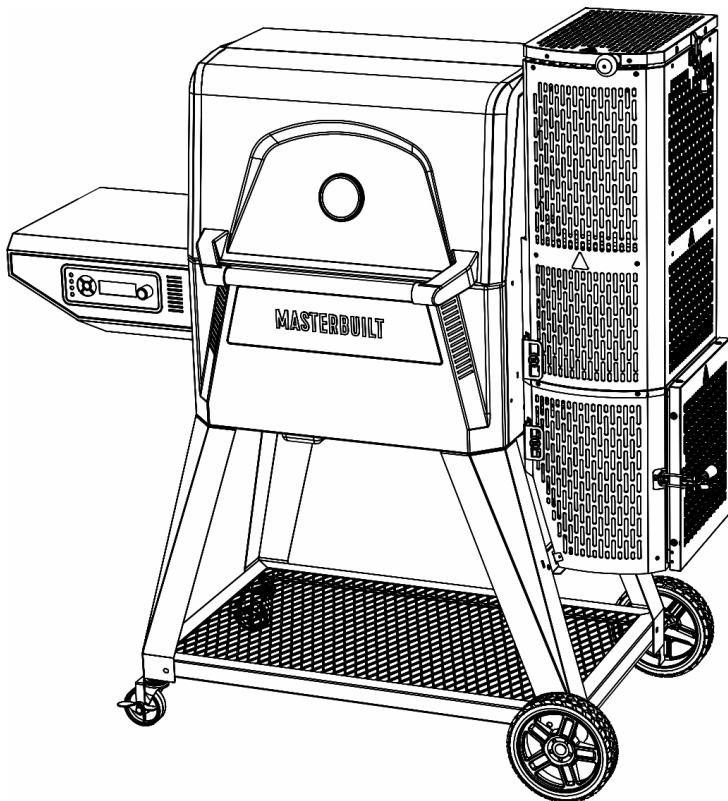
Available Replacement Parts for MASTERBUILT GRAVITY SERIES 560

9904190038	Heat Manifold Kit
9904190024	Temp Probe Kit



MASTERBUILT®

Welcome to the family. Let's get started.
Bienvenue à la famille. Commençons.
Bienvenido a la familia. Empecemos.



GRAVITY SERIES™ 560

Digital Charcoal Grill + Smoker
Gril au charbon + Fumoir numériques
Parrilla de carbón vegetal digital + Ahumador

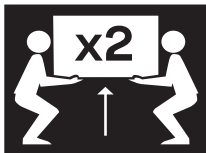
Manual applies to the following model number(s)
Le manuel s'applique aux numéros de modèle suivants
El manual se aplica a los siguientes números de modelo

MB20040220

Your model number | Votre numéro de modèle | Su número de modelo

Mfg. Date - Serial Number | Date de fabrication - Numéro de série | Fecha de fabricación - Número de serie

*These numbers are located on the rating label of the grill.
Ces numéros se trouvent sur la plaque signalétique du gril.
Estos números se ubican en la etiqueta posterior de la parrilla.*



Two people Recommend for assembly
Deux personnes sont recommandées pour l'assemblage
Se recomienda ensamblarlo entre dos personas.

IMPORTANT | IMPORTANTE

Please record this information immediately and keep in a safe place for future use.

S'il vous plaît noter cette information immédiatement et conserver dans un endroit sûr pour une utilisation future.

Por favor, registrar esta información inmediatamente y guardar en un lugar seguro para su uso futuro.

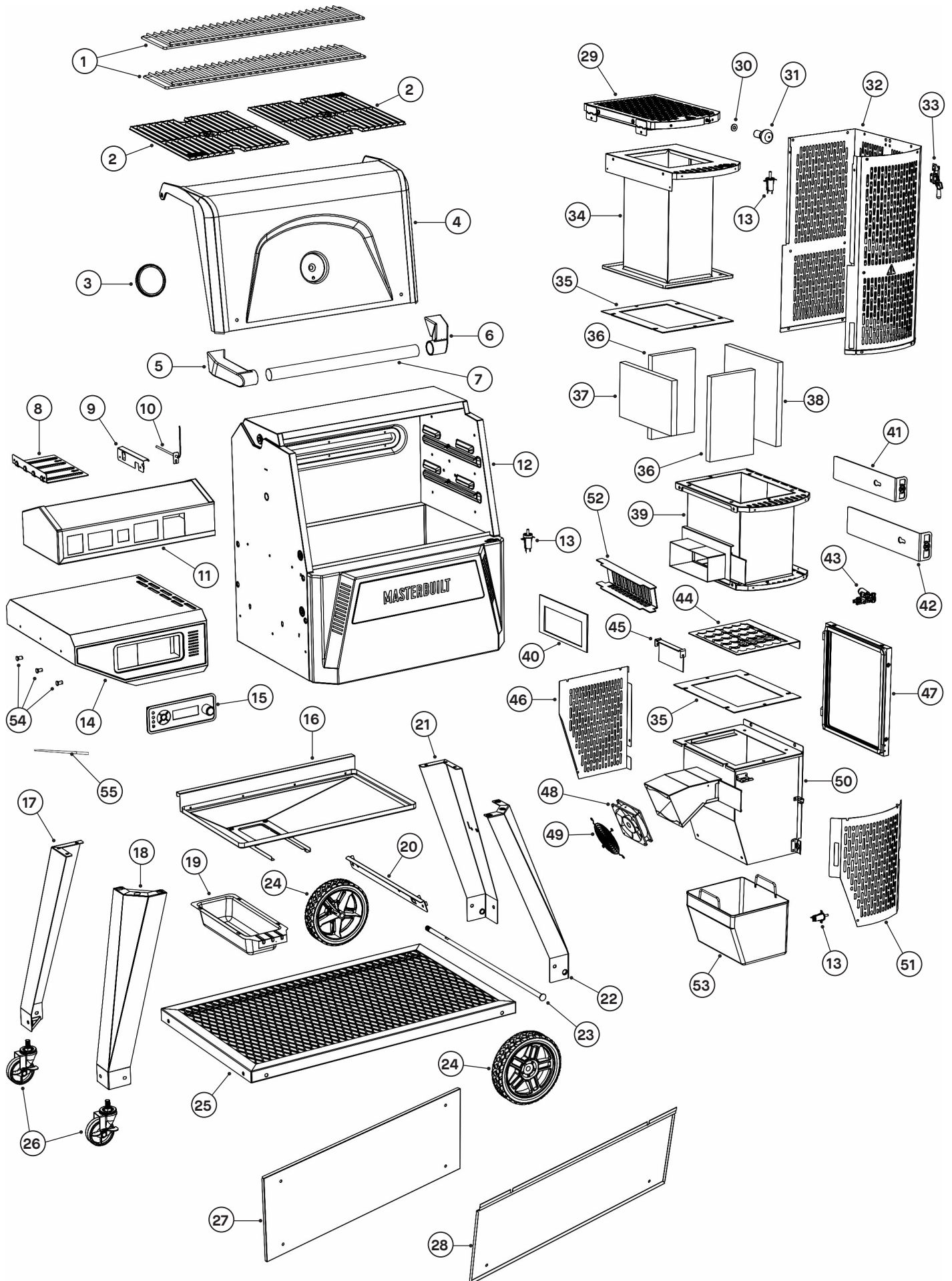
Manual Code / Código del manual: 9804190016 191126-SPS

Master it. Masterbuilt.

Maitrisez-le. Masterbuilt.

Domínelo. Masterbuilt.

Parts Diagram | Diagramme des pieces | Diagrama de partes



Parts List

NO.	QTY.	DESCRIPTION	NO.	QTY.	DESCRIPTION
1	2	Smoking/Warming Racks	30	1	Hopper Lid Handle Washer
2	2	Smoke + Sear Grates	31	1	Hopper Lid Handle
3	1	Temperature Gauge	32	1	Hopper Heat Shield - Top
4	1	Lid Assembly	33	1	Hopper Lid Latch
5	1	Handle Mount, Left	34	1	Hopper Assembly - Top
6	1	Handle Mount, Right	35	1	Hopper Gasket
7	1	Handle Tube	36	2	Front/Rear Fire Brick
8	1	Heat Manifold Support	37	1	Left Fire Brick
9	1	Temperature Probe Bracket	38	1	Right Fire Brick
10	1	Temperature Probe	39	1	Hopper Assembly - Middle
11	1	Heat Manifold Assembly	40	1	Grill Heat Intake Fiber Spacer
12	1	Body Assembly	41	1	Heat Intake Slide (Large)
13	3	Lid/Door Switch	42	1	Air Intake Slide (Small)
14	1	Side Shelf Assembly	43	1	Hopper Door Latch
15	1	Controller Assembly	44	1	Charcoal Grate Assembly
16	1	Bottom Tray Assembly	45	1	Air Intake Flap/Bracket
17	1	Left Rear Leg Assembly	46	1	Hopper Heat Shield - Bottom Rear
18	1	Left Front Leg Assembly	47	1	Hopper Door Assembly
19	1	Grease Tray	48	1	Fan
20	1	Hopper/Cart Support	49	1	Fan Guard
21	1	Right Rear Leg	50	1	Hopper Assembly - Bottom
22	1	Right Front Leg	51	1	Hopper Heat Shield - Bottom Front
23	1	Wheel Axle with Lock Nut	52	1	Grill Heat Intake Grate
24	2	8" Wheel	53	1	Ash Tray Assembly
25	1	Bottom Shelf Assembly	54	3	Tool Hanger
26	2	3" Caster	55	1	Antenna
27	1	Rear Inner Liner		1	Meat Probe - <i>not pictured</i>
28	1	Front Inner Liner		1	Power Cord/Plug - <i>not pictured</i>
29	1	Hopper Lid Assembly			

• **BEFORE ASSEMBLY READ ALL INSTRUCTIONS CAREFULLY.**

- Assemble on a clean flat surface.
- **Recommend assembling on cardboard to avoid oil residue on floors or scratches.**
- **Gloves recommended for assembly. Hopper gasket is fiberglass and will irritate skin.**
- Tools needed: Phillips head screwdriver, adjustable wrench, 19mm socket wrench.
- Approximate assembly time: 1 hour, 45 minutes.
- Recommend two people assemble to increase ease and reduce assembly time.
- Actual product may differ from picture shown.
- It is possible that some assembly steps have been completed in the factory.
- **Remove all printed labels from the grill and hopper before use.**



DO NOT RETURN TO RETAILER for assembly assistance, missing or damaged parts. Please contact MASTERBUILT Customer Service at 1-800-489-1581 or www.masterbuilt.com/pages/support. Please have the model number and serial number available. These numbers are located on the silver rating label on the grill.