

This Owner's Manual is provided and hosted by [Appliance Factory Parts](http://www.appliancefactoryparts.com).



# Broilmaster RSACT42 Owner's Manual

[Shop genuine replacement parts for Broilmaster  
RSACT42](#)



[Find Your Broilmaster Grill Parts - Select From 315 Models](#)

----- Manual continues below -----

# BROILMASTER® PREMIUM GRILLS

Model Numbers: BSACT26-2, BSACT34-2, BSACT42-2

## BEFORE GETTING STARTED

Unpack and lay out all of the included parts. Most of the stainless-steel pieces come with a protective film. Remove all of the film and take care with stainless steel components as to not scratch them during the assembly process.



**CAUTION**



Parts may have sharp edges. Wear leather work gloves and handle parts carefully during unpacking, assembly, and installation.

## Overview - Assemble On Level Surface



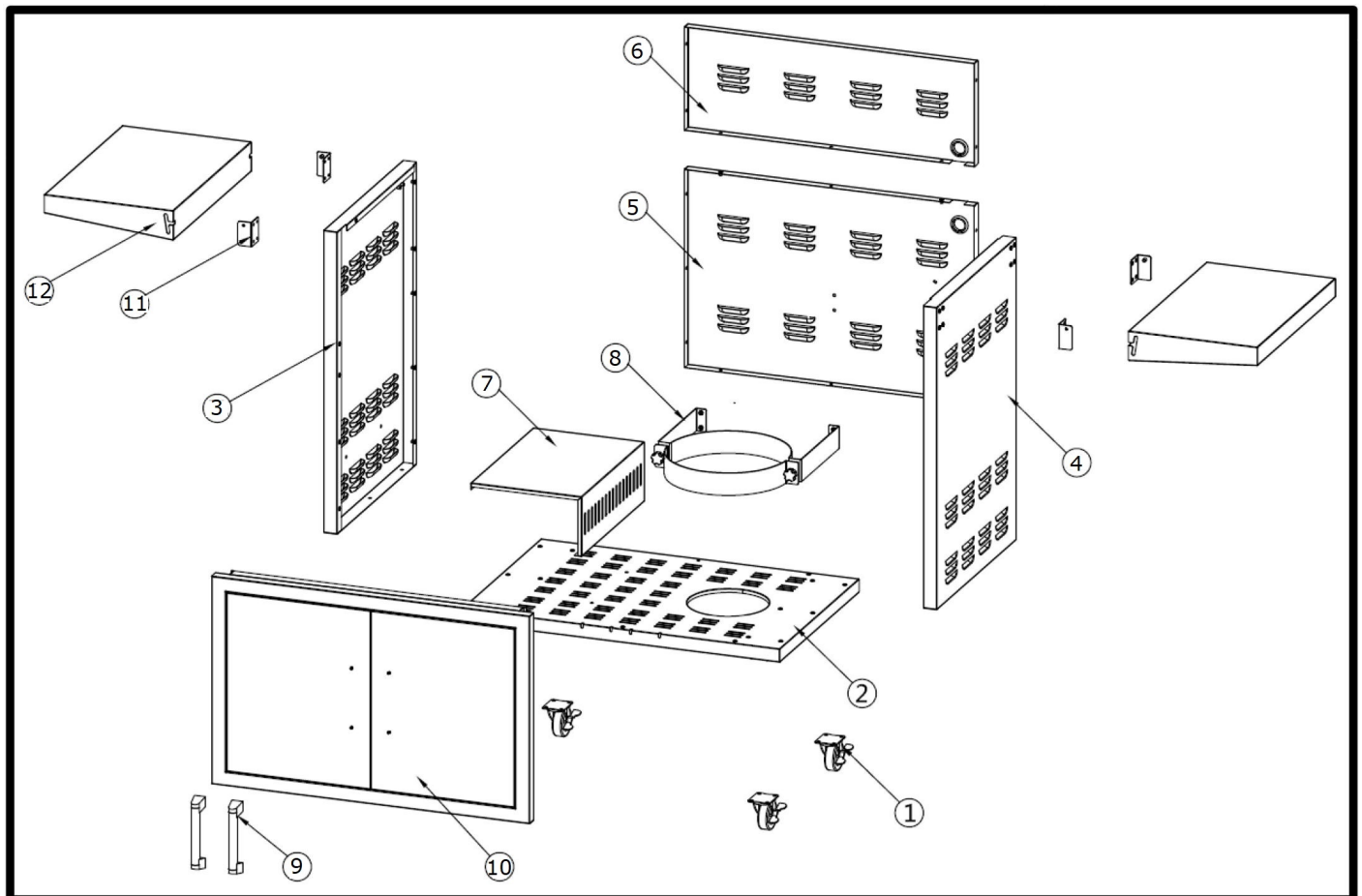
## 26" | 34" | 42" GRILL CART ASSEMBLY

# Hardware And Parts List

| HARDWARE: |   |
|-----------|---|
| 1.        | M5x12 SCREWS 63 pcs                                 |
| 2.        | M5 FLAT WASHERS 63 pcs                              |
| 3.        | M5x12 COUNTERSUNK HEAD SCREWS 17 pcs                |
| 4.        | PLUM SCREWS 2 pcs                                   |
| 5.        | M4x8 FLAT HEAD SCREWS 4 pcs (for door handle)       |
| 6.        | M4 FLAT WASHERS 4 pcs (for door handle)             |
| 7.        | M4 FLAT WASHERS 5 pcs (for transformer)             |
| 8.        | M4x10 SCREW 5PCS+M4 Hex Nut 5 pcs (for transformer) |
| 9.        | SCREWDRIVER 1 pcs                                   |

## GRILL CART ASSEMBLY

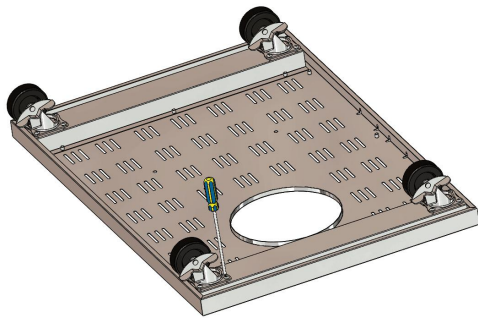
| ITEM NO. | DESCRIPTION             | EMPIRE PART NO. |         |         |
|----------|-------------------------|-----------------|---------|---------|
|          |                         | BSACT26         | BSACT34 | BSACT42 |
| 1        | LOCKING CASTER          | BR0070          | BR0070  | BR0070  |
| 2        | BOTTOM PANEL            | BR0071          | BR0072  | BR0073  |
| 3        | SIDE PANEL, LEFT        | BR0074          | BR0074  | BR0074  |
| 4        | SIDE PANEL, RIGHT       | BR0075          | BR0075  | BR0075  |
| 5        | LOWER BACK PANEL        | BR0076          | BR0077  | BR0078  |
| 6        | UPPER BACK PANEL        | BR0079          | BR0080  | BR0081  |
| 7        | STEP PANEL              | ---             | BR0082  | BR0082  |
| 8        | TANK BRACKET ASSY       | BR0083          | BR0083  | BR0083  |
| 9        | HANDLE                  | BR0084          | BR0084  | BR0084  |
| 10       | DOOR AND FRAME ASSY     | BR0085          | BR0085  | BR0085  |
| 11       | SIDE SHELF BRACKET PAIR | BR0086          | BR0086  | BR0086  |
| 12       | SIDE SHELF              | BR0087          | BR0087  | BR0087  |



## Follow Steps 1 Through 5.

STEP-1: Remove all parts from the carton and please use an assistant to help in this cart assembly.

STEP-2: With the Bottom Panel (#2) positioned upside down on a protective surface, attach all of the Locking Casters (#1) using 4 sets M5x12 screw with captive washer on each castor.



STEP-3 : Attach the Right & Left Side Panel (#3 & 4) to the Bottom Panel (#2) by using 6 sets M5x12 screw with captive washer (The tank hole of Bottom Panel#2 is on the right side.)



STEP-4: Attach Bottom Back Panel (#5) to the Side Panels (#3 & 4) by using 6 sets M5x12 screw with captive washer and then to the Bottom Panel (#2) by using 3 sets M5x12 screw with captive washer.



STEP-5: Attach Upper Back Panel (#6) to the Side Panels (#3 & 4) by using 4 sets M5x12 screw with captive washer, and then to use 3 sets M5x12 screw with captive washer to attach with the Bottom Back Panel (#5) .



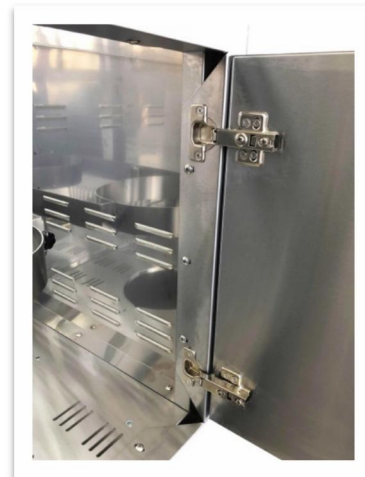
## Follow Steps 6 Through 8.

STEP-6: Attach Tank Interference Step (#7) to the Bottom Panel (#2) by using 2 sets M5x12 screw with captive washer, and then to use 2 sets M5x12 screw with captive washer to be attached with Left Side Panel (#3) .



STEP-8: Attach the Assembled Door Unit (#10) to the Right & Left Side Panel (#3 & 4) by using 8 sets M5x12 screw with captive washer, and then use another 3 sets M5x12 screw with captive washer to attach it to Bottom Panel (#2) .

STEP-7: Attach the Tank Securing Bracket With Ring (#8) by using 2pcs plum screw, and then to use 4 sets M5x12 screw with captive washer to attach with Bottom Back Panel (#5) .

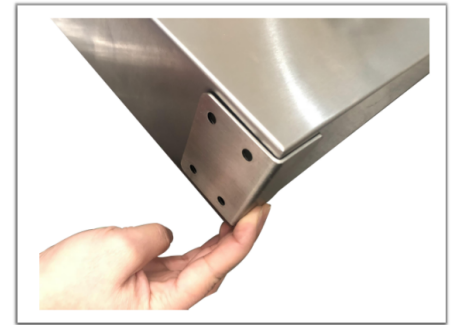
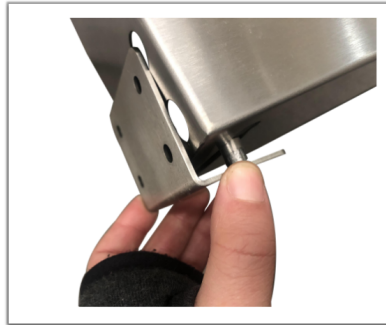


## Follow Steps 9 Through 10.

STEP-9: Attach two Door Handles (#9) to the Assembled Door Unit (#10) by using 4 sets M4x8 screw with captive washer.



STEP-10: Assemble 1 set Left & Right Side Shelf Brackets (#11) to the Left & Right Side Shelves' slots (#3 & 4), then attach a Side Shelf (#12) to each Side Panel by using 16pcs M5x12 Countersunk Head Screw.



## Follow Steps 11.

STEP-11: Finally, the barbecue is ready to be installed into the cart. Once installed, secure the barbecue head with 2pcs M5x12 screw through the holes that are on each side, towards the front, on the inside of the grill.



### ***DRAW YOUR ATTENTION:***

***Note1:*** Mounting holes in the Bottom Back Panel#5: ①&② is for Tank Securing Strap With Ring (#8) . ③ There is also four holes that are for mounting the transformer (*These holes are only for BBQ HEAD WITH LIGHTS*) .

***Note2:*** Large Round holes in the Upper and Bottom Back Panel (#5 & #6) : ④ is for LP Hose; ⑤&⑥ are for transformer wire.

***Note3:*** Some adjustments may be needed to obtain proper placement or level positioning with the cart . Make sure to tighten all screws with screwdriver.



Installation Is Complete.



# **BROILMASTER<sup>®</sup>** **PREMIUM GRILLS**

## **BROILMASTER**

A Division of Empire Comfort Systems, Inc.  
918 Freeburg Ave.

Belleville, Illinois 62220

Visit our web site at [www.broilmaster.com](http://www.broilmaster.com)

If you have a general question about  
our products, please e-mail us  
at [info@empirecomfort.com](mailto:info@empirecomfort.com).

If you have a service or repair question,  
please contact your dealer.

