

This Owner's Manual is provided and hosted by [Appliance Factory Parts](http://ApplianceFactoryParts.com).



# Bayou Classic SV22 Owner's Manual

[Shop genuine replacement parts for Bayou Classic SV22](#)



[Find Your Bayou Classic Wood or Gas Stove Parts - Select From 25 Models](#)

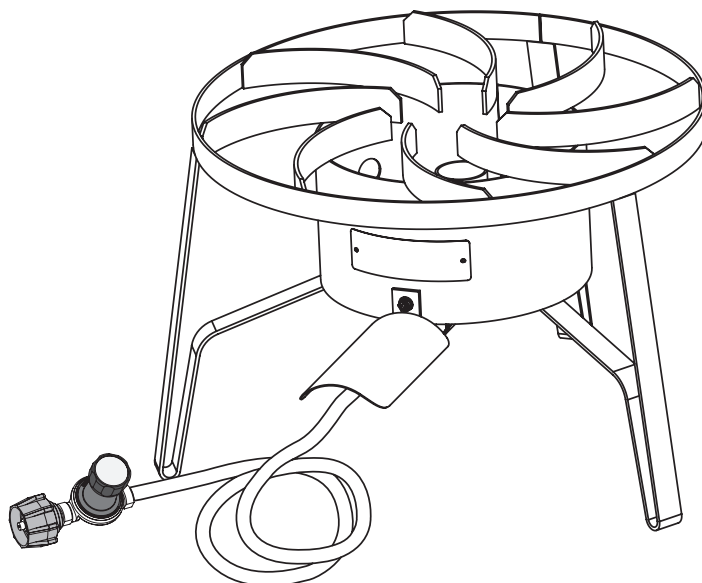
----- Manual continues below -----

MODEL #  
**SV22**

# **BAYOU CLASSIC®**



**READ MANUAL  
BEFORE USE**



## **LP GAS COOKER**

# **OWNER'S MANUAL**

**SAFETY ALERTS, ASSEMBLY & OPERATING INSTRUCTIONS  
GENERAL MAINTENANCE & STORAGE**

**KEEP THIS MANUAL FOR FUTURE REFERENCE  
NOT FOR COMMERCIAL USE**

**This Instruction Manual contains important information necessary for the proper assembly and safe use of the appliance. You must carefully read and follow all warnings and instructions before assembling and using the appliance. Follow all warnings and instructions when using the appliance. This manual is for Barbour International Bayou Classic® products only. If you are using another manufacturer's product, refer to the manual supplied with that product. Only use approved Bayou Classic® replacement parts and accessories with this appliance.**

**For Questions, or to order, please contact:**

Barbour International, Inc. • 101 Cypress Way, Brandon, MS 39042  
1-800-736-8028 (English Only) • Monday - Friday 7:30am - 4:30pm CST

[www.thebayou.com](http://www.thebayou.com)

# SAFETY SYMBOLS



Not following these instructions will most certainly result in fire or explosion which will cause property damage, personal injury, or death.



Hazard or unsafe practices could result in severe property damages, personal injury, or death.



Hazard or unsafe practices possibly resulting in minor property damages, personal injury, or death.



## **IF YOU SMELL GAS:**

- **Shut off gas to the appliance.**
- **Extinguish any open flame.**
- **Open Lid.**
- **If odor continues, keep away from the appliance and immediately call your fire department.**

***Failure to follow these instructions could result in fire or explosion which could cause property damage, personal injury or death.***



- **Never operate this appliance unattended.**
- **Never operate this appliance within 3 m/ 10 ft of any structure, combustible material or other gas cylinder.**
- **Never operate this appliance within 7.5 m/ 25 ft of any flammable liquid.**
- **Do not fill cooking vessel beyond maximum fill line.**
- **Heated liquids remain at scalding temperatures long after the cooking process. Never touch cooking appliance until liquids have cooled to 45°C/ 115°F or less.**
- **If a fire should occur, keep away from the appliance and immediately call your fire department.**
- **This appliance is not intended for and should never be used as a heater.**
- **Do not place an empty cooking vessel on the appliance while in operation.**
- **Never use glassware, plastic, or ceramic cookware with this appliance.**
- **Keep fuel supply away from any sharp edges, or any heated surface(s).**
- **Never use a cooking vessel larger than 54.6 cm/ 21.5 in. diameter, and more than 115.5 L/ 122 Qt in volume.**

***Failure to follow these instructions could result in fire or explosion which could cause property damage, personal injury, or death!***

## **WARNING**

- **Sober adult operation ONLY!** The use of alcohol, prescription or non-prescription drugs may impair ability to properly assemble or safely operate appliance.
- **Do not use appliance for anything other than its intended purpose.**
- **This appliance is not for frying.**
- **This appliance is for OUTDOOR USE ONLY, and shall not be used in a building, garage or any other enclosed area.**
- **Do not use appliance on or under any apartment or condominium balcony or deck. For more details, see instructions for placement of cooker in this manual.**
- **This appliance is not intended for use in or on a boat or recreational vehicle.**
- **Do not move the appliance while in use.**
- **Avoid bumping of or impact with the appliance to prevent spillage or splashing of hot cooking liquid.**
- **Keep children and pets away from the cooking area at all times.**
- **Use caution when placing anything in a cooking vessel while the appliance is in operation. Never drop food or accessories into hot cooking liquid. Lower food and accessories S-L-O-W-L-Y into the cooking liquid in order to prevent splashing or overflow.**
- **Always take care when removing food to avoid burns from steam or hot cooking liquids**
- **Always have a Type BC or ABC fire extinguisher readily accessible during operation. A type BC or ABC fire extinguisher may, in some circumstances, contain a fire.**
- **In the event of rain, snow, hail, sleet or other forms of precipitation while cooking, cover the cooking vessel immediately and turn off the appliance burner(s) and gas supply. Do not attempt to move the appliance or cooking vessel.**
- **All food products MUST be completely thawed before cooking.**

## **REMEMBER: THINK SAFETY AND USE COMMON SENSE!**

If you have any doubts or concerns about your ability to use this product contact Barbour International, Inc. Should you still have concerns about operating this product, then do not use. Contact your dealer for return or refund. Strict compliance to these instructions, plus common sense operation, are primary accident prevention measures. Restrict the use of this appliance to adults who can read, understand and follow the warnings and instructions found in this manual.

# ABOUT THIS PRODUCT

This gas appliance has greater heat output than traditional kitchen stoves. It can be referred to as a “cooker” or “appliance” in this manual. The appliance is designed to work with a cooking vessel (pot). The appliance is only designed to work with the hose and regulator supplied with this product. This appliance is only intended for *boiling or steaming food*. All other applications could void the warranty or create an unsafe situation.

## GENERAL OPERATING

- Always inspect the appliance and its components before every use as described in this manual:
  - A. Ensure appliance is properly assembled and connected to the LP cylinder
  - B. Inspect hose and tank for evidence of abrasion, wear, cuts or leaks
  - C. Confirm that nothing is obstructing the burner
  - D. Perform Gas Leak Test before lighting
- Follow Lighting/Re-Lighting Instructions in this manual
- This appliance will be hot during and after use; always wear protective clothing when operating the appliance. Use insulated mitts or gloves for protection from hot surfaces or splatter from cooking liquids. Wear close-toed shoes.
- Carefully monitor all activity around cooker to avoid burns or other injuries.
- Control the intensity of the jet flame by making adjustments to the brass valve.
- If necessary, use a thermometer to monitor the temperature (thermometer must be purchased separately). Always test thermometer to confirm it is working properly.
- Use caution when near cooker as splattered liquid may have created a slick surface.
- When removing food from the vessel, care should be taken to avoid burns from hot cooking liquids.
- When cooking is completed, turn off gas and follow the Care & Maintenance Instructions.
- After cooking, continue to monitor the area. Never touch, move, or store the appliance or cooking liquids before they have cooled to 115°F/45°C or less. **NOTE: Cool down periods will vary with environment.**
- Use these instructions to determine the maximum fill level when using a vessel without a maximum fill line:
  - A. Place the food product on the holder, and place both into the empty vessel.
  - B. Fill vessel with water just until the food product is completely submerged. There must be a minimum of 8 cm/3 in. between the water level and top of the vessel.
  - C. Remove the food product from the vessel and either mark the water level on the side of the vessel or measure the amount of water in the vessel.
  - D. Remove the water and completely dry the vessel and the food product.
  - E. This is the amount of liquid the vessel is to be filled with to cook the food product.



**NEVER LEAVE UNATTENDED**



**OUTDOOR USE ONLY**



**NEVER USE UNDER FLAMMABLE OVERHANG**



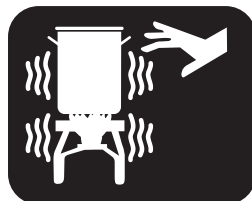
**NEVER USE ON FLAMMABLE SURFACES**



**KEEP CHILDREN AND PETS AWAY**



**NEVER LEAN OVER BURNER**



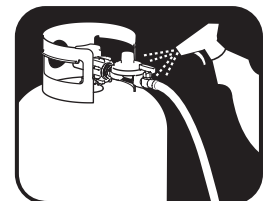
**HOT DURING AND AFTER USE!**



**TRIP HAZARD WATCH YOUR STEP**



**KEEP FIRE EXTINGUISHER NEARBY**



**ALWAYS PERFORM GAS LEAK TEST**

# ASSEMBLY INSTRUCTIONS

**Model #SV22**

Carefully assemble this appliance according to these instructions. Inspect contents in the box to ensure all parts are included and undamaged. Please contact Barbour International, Inc. if any parts appear damaged, missing, or inaccurate. Proof of purchase will be required.

## Parts List:

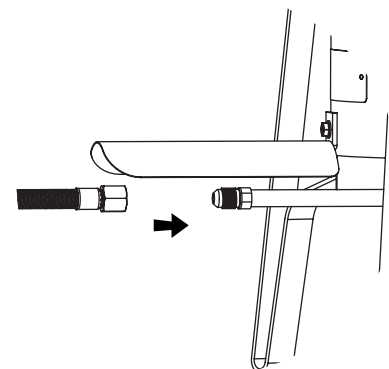
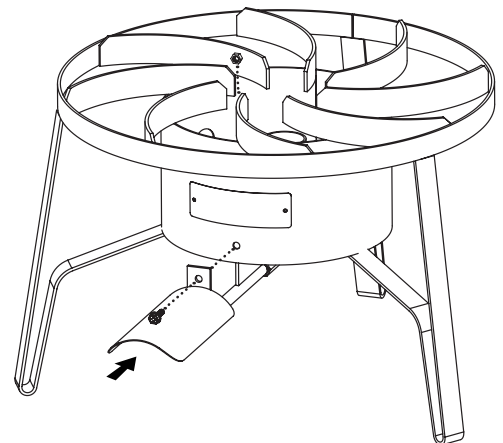
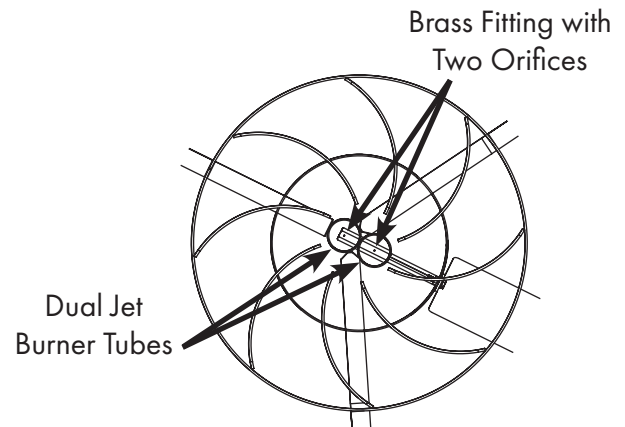
- Cooker Frame
- Hose Guard with attachment hardware (1/4-20 bolt and 1/4 nut)
- Hose and Regulator (pre-assembled)

## Tools Required (not included):

- Adjustable Wrench
- Phillips Head Screwdriver

## To Assemble:

1. Remove components from the box and packaging.
2. **Confirm both Jet Orifices are centered inside the Dual Jet Burner Tubes:** Look down into the jet tubes and make certain that the two orifices in the brass cap are facing straight up. If necessary, use wrench to gently turn the brass cap to direct the orifice straight up into the Dual Jet Burner Tubes.
3. **Attach Hose Guard:** Align hole in hose guard tab with the hole in the frame. Attach the hose guard with nut and bolt as shown. Wrench tighten.
4. **Attach Hose to Cooker:** Attach female hose connector to the brass fitting on the cooker as shown. Gently wrench tighten.



**⚠ WARNING ⚠**

Do not over-tighten brass fittings. Too much force can cause the brittle metal to crack and create a gas leak.

# LIQUID PROPANE (LP) CYLINDER

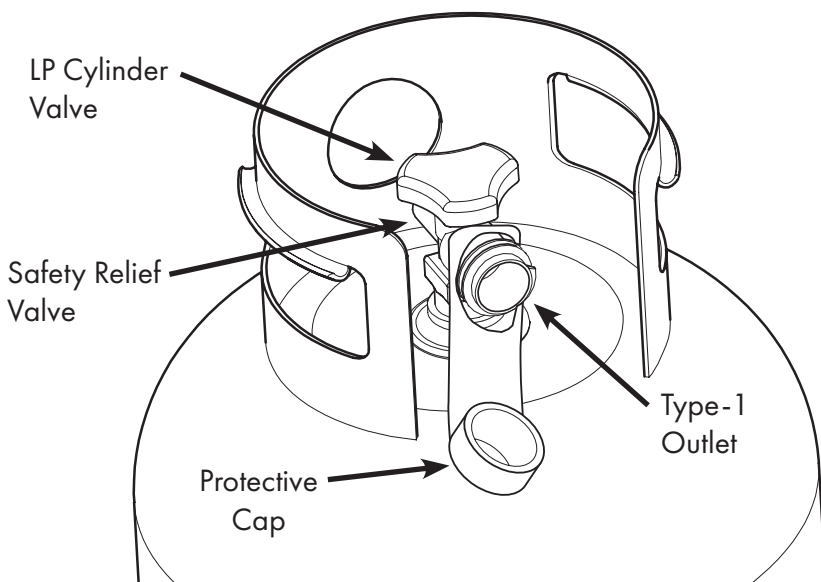
This appliance is designed to only operate using Liquid Propane (LP) gas in a self-contained gas supply system (tank). Please follow these instructions for proper specifications and operation.

**! DANGER !**

## CARBON MONOXIDE HAZARD

**This appliance can produce Carbon Monoxide, an odorless and poisonous gas. Never operate this appliance in a building or confined area where ventilation may be restricted. Using it in an enclosed space can kill you.**

- Read and follow all warnings and instructions on the LP cylinder.
- Specifications (These features and specifications **MUST** be present):
  1. 9.1 Kg/20 lbs; 31.75 cm/ 12.5 in diameter x 45.72 cm/18 in tall
  2. Type-1 gas cylinder valve outlet to accommodate the hose and regulator supplied with this appliance. The Type-1 valve must prevent gas flow until a positive seal is obtained.
  3. Over-Filling Protection Device (OPD)
  4. Collar to protect the cylinder valve
  5. Cylinder must be arranged for vapor withdrawal
  6. Protective cap
- The LP cylinder must be constructed and marked in accordance with the specifications for LP gas cylinders, U.S. Department of Transportation (DOT) or the *Standard for Cylinders, Spheres and Tubes for the Transportation of Dangerous Goods, CAN/CSA-B339*.
- If you exchange the LP cylinder, make sure the new tank complies with all the specifications listed here.



**! CAUTION !**

Place dust cap on cylinder valve outlet whenever the cylinder is not in use. Only install the type of dust cap on the cylinder valve outlet that is provided with the cylinder valve. Other types of caps or plugs may result in leakage of propane.

**! DANGER !**

- A. Never store a spare LP gas cylinder under or near this appliance.**
- B. Never fill the cylinder beyond 80 percent full**

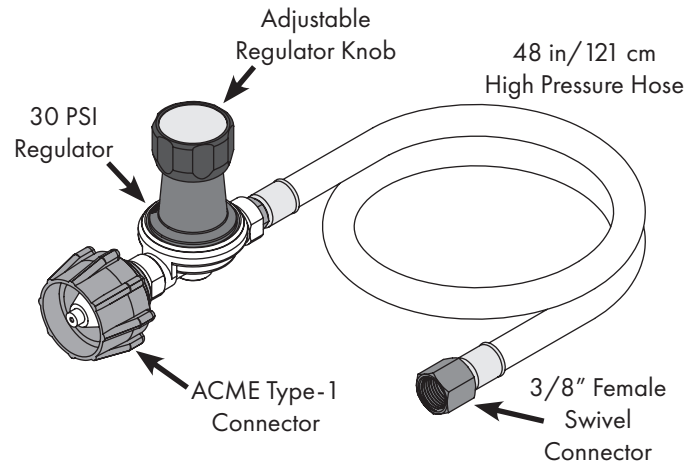
**If the information in (A) and (B) are not followed exactly, a fire causing death or serious injury may occur.**

## ⚠️ WARNING ⚠️

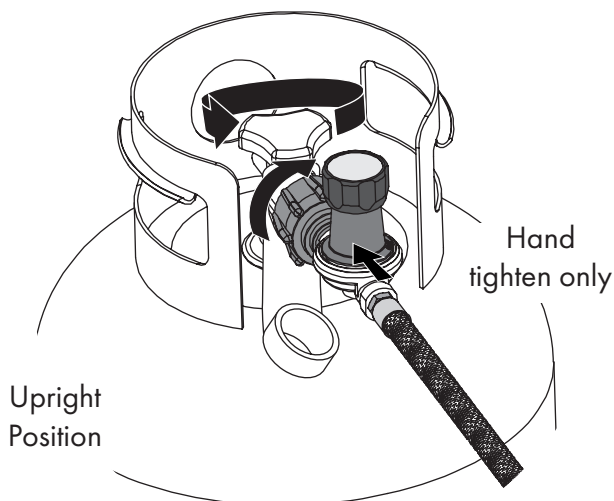
- Do not attempt to move, alter, or disconnect the LP cylinder while the appliance is in use.
- Always secure the LP cylinder in an upright position.
- Always disconnect to move the appliance and/or LP cylinder.
- If the appliance is not in use, the gas must be turned off at the supply LP cylinder.
- LP cylinders must be stored outdoors out of the reach of children, and shall not be stored in a building, garage or any other enclosed area.
- Allow only qualified LP gas dealers to properly fill or repair your LP cylinder.
- Always use the protective cap when not connected to the hose and regulator. Only use the cap supplied with the LP cylinder; any other type may result in leakage of propane.
- The hose and regulator assembly supplied with this appliance must be used.
- Do not attempt to disassemble, alter, or repair any part of the hose and regulator assembly. Approved replacement parts can be obtained from Barbour International, Inc.

## HOSE & REGULATOR

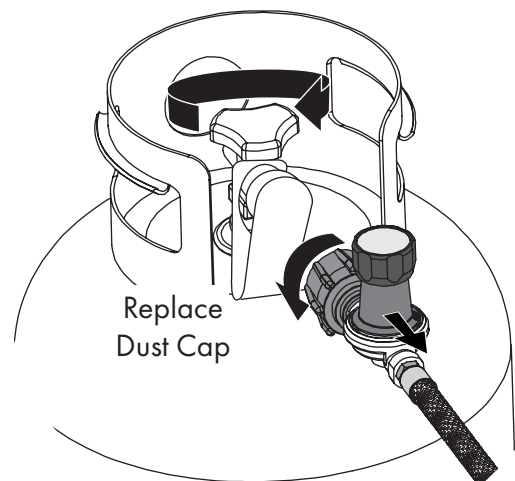
The Hose Valve Regulator (HVR) supplied with this appliance is an independently CSA certified product. It is designed to connect the appliance to a 9.1 Kg/20 lbs LP Cylinder. Read and follow all instructions and warnings on the supply hose safety tags. If there is evidence of abrasion, wear, cuts or leaks, the HVR must be replaced prior to the appliance being put into operation. No matter the physical appearance, replace the HVR assembly every two years. Replace only with **Model #M5HPR-30**.



To CONNECT Hose Valve Regulator to the LP Cylinder:



To DISCONNECT Hose Valve Regulator to the LP Cylinder:



## ⚠️ CAUTION ⚠️

Always confirm both LP Cylinder Valve and Brass Valve are turned to the off (closed) positions before connecting or disconnecting the HVR.

# GAS LEAK TEST

When to test for gas leaks:

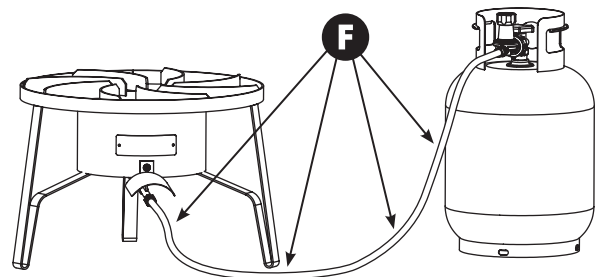
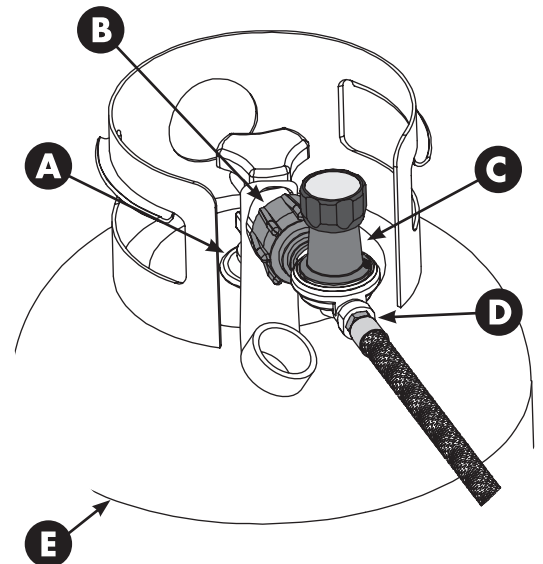
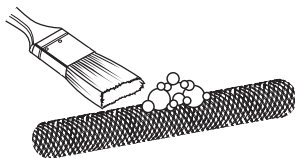
- After assembling your cooker and before lighting for the first time, even if purchased fully assembled.
- Every time the LP gas cylinder is refilled, or if any of the gas components are replaced.
- Any time your cooker has been moved.
- At least once per year or if your cooker has not been used for more than 60 days.

**NOTE:** The gas leak test must be performed in an area that has adequate lighting in order to see if bubbles are developing. **DO NOT** use a flashlight to check for bubbles.

**Performing a Gas Leak Test:**

1. Create a mixture of 50% water and 50% liquid dishwashing soap.
2. Turn the LP Cylinder Valve to the off (closed) position. Then turn the Adjustable Regulator Knob to the off (closed) position.
3. To turn on the fuel supply, turn the LP Cylinder Valve one turn in the open direction. Gas will flow into the Regulator and stop at the Adjustable Regulator Knob still turned to the off (closed) position.
4. Using a clean brush, apply the soap water mixture to the following:

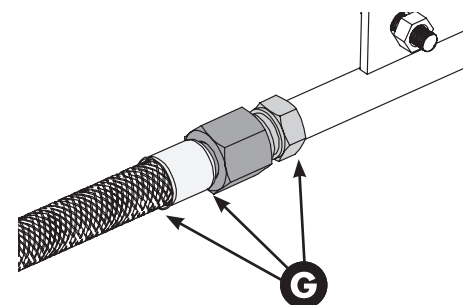
- A** LP Cylinder to LP Cylinder Valve
- B** LP Cylinder Valve to Regulator Connection
- C** All Regulator Housing and Connections
- D** Regulator connection to Gas Supply Hose
- E** LP Cylinder Welds
- F** Full length of Gas Supply Hose
- G** Gas Supply Hose connection to Cooker



5. First, inspect areas **A - E** for growing bubbles.
6. Next, turn on (open) the Adjustable Regulator Knob and permit gas to pass through the hose. Inspect areas **F** and **G**.

**NOTE:** Do not allow gas to flow more than 5 - 10 seconds. During this step, gas will be flowing out the burner into the surrounding air.

7. Turn the LP Cylinder Valve to the off (closed) position. Then turn the Adjustable Regulator Knob to the off (closed) position.
8. Tighten any leaking connections.
9. Repeat soap water mixture test until no leaks are detected.
10. After you are certain there are no leaks, turn the LP Cylinder Valve to the OFF position. **Wait 5 minutes** for any gas fumes to evacuate before lighting the burner.



**⚠ WARNING ⚠**

- If growing soap bubbles persist throughout any portion of the Gas Leak Test, terminate use immediately.
- **DO NOT** use cooker if gas leaks cannot be stopped.

# PLACEMENT OF COOKER

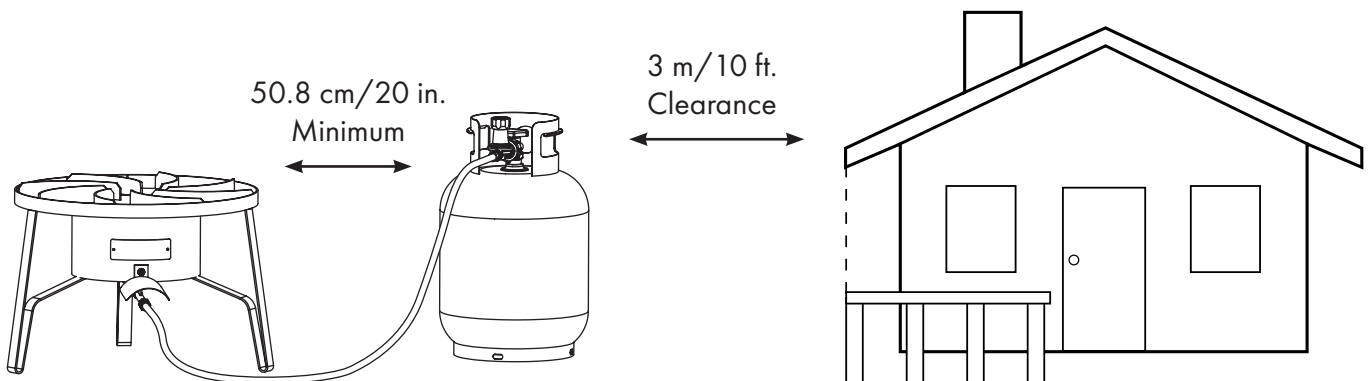
## ! DANGER !

- ***This appliance is portable and should not be installed into cabinetry or any other enclosed casing. Any placement or installation of the appliance must conform with local codes or, in the absence of local codes, with the National Fuel Gas Code, ANSI Z223.1/NFPA 54, Storage and Handling of Liquefied Petroleum Gases, ANSI/NFPA 58; or Natural Gas and Propane Installation Code, CSA B149.1; Propane Storage and Handling, CSA B149.2.***
- **Keep the cooking area clear and free of any combustible material such as spare LP tanks (full or empty), household chemicals, paint, gasoline and other flammable vapors and liquids.**
- **Never enclose the appliance to block the wind. Either relocate your cooker to a less windy location, or choose not to operate your appliance until the wind has stopped.**

- Choose a safe outdoor space, clear of combustible material to operate your appliance.
- Place the appliance on a level, stable noncombustible surface such as brick, concrete, or dirt.
- Make sure the LP Cylinder is fully upright and stable.
- Prior to lighting, check wind direction. Place cooker DOWNWIND from the LP cylinder.
- Place LP cylinder at least 50.8 cm/20 in away from the appliance.

↑ **Make sure overhead is clear of combustible materials!** ↑

← Wind Direction



## ! WARNING !

- **Do not walk between the cooker and the propane tank; the connecting hose creates a tripping hazard. Tripping over the hose may cause the supply cylinder to tip.**
- **Do not locate appliance under overhead unprotected combustible construction or tree limbs.**
- **Do not attempt to move the appliance or cooking vessel when cooking.**
- **Do not position cooker on wood, asphalt, or plastic/rubber mat which may burn blister or melt.**

# LIGHTING INSTRUCTIONS

Follow these instructions for safe and proper lighting and re-lighting of the appliance.

## ⚠ CAUTION 🔥

**Do not attempt to light this appliance without first following the instructions in this manual for proper assembly, placement, and testing.**

## ⚠ WARNING 🔥

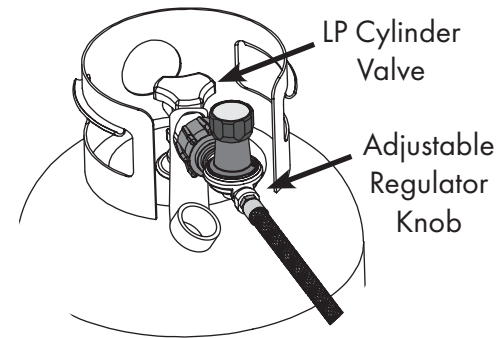
- **Do not stand with head, body or arms over the appliance when lighting. Loose hair and clothing can catch fire.**
- **Even if the flame is extinguished, the tank and regulator will still allow some gas to release until they are fully CLOSED. You must allow gas to evacuate/dissipate before re-lighting.**
- **The appliance will be HOT after being operated. DO NOT TOUCH the frame or cooking vessel when re-lighting the burner.**

### Lighting the appliance:

1. Before lighting, completely turn off (close) the LP Cylinder Valve and the Adjustable Regulator Knob to prevent any gas flow.

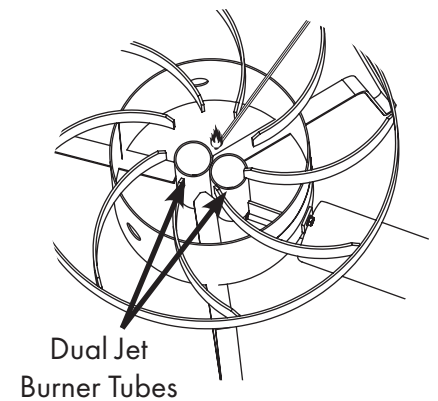
**NOTE:** If the Adjustable Regulator Knob is left in any other position, the Gas Flow Limiting Device will activate.

2. Turn on (open) the fuel supply by S-L-O-W-L-Y rotating the LP Cylinder Valve one full turn.
3. Position a fireplace match or long lighter over the Dual Jet Burner Tubes, then slowly turn on (open) the regulator to allow gas to flow. The burner should light in less than 5 seconds.
4. After lighting the burner, fully open the LP Cylinder Valve, and control the jet flame by turning the Adjustable Regulator Knob.
5. If ignition does not occur in 5 seconds, completely turn off (close) the LP Cylinder Valve and the Adjustable Regulator Knob, wait 5 minutes, and repeat the lighting procedure.



### Re-Lighting the appliance:

If the appliance is accidentally extinguished, completely turn off (close) the LP Cylinder Valve and the Adjustable Regulator Knob, wait 5 minutes to allow gas to evacuate/dissipate, and repeat Steps 1 thru 4 of the Lighting Instructions.



## ⚠ CAUTION 🔥

- **The Regulator supplied with this appliance is equipped with a Gas Flow Limiting Device that will greatly restrict the flow of gas if activated by a rapid release of gas. Reference Trouble-Shooting Tips if flame ever appears weak.**
- **In sunlight or other bright light, the flame may not be visible. Always use caution around an open flame.**
- **If the appliance does not light after 2 or 3 attempts, turn OFF gas supply. Refer to Trouble Shooting Tips and DO NOT attempt to operate the appliance until the problem is resolved.**

# MAINTENANCE & CARE

Follow these simple steps to keep your appliance looking good and functioning properly for years.

1. Before each use of the appliance, light the cooker and let it run for 5 - 7 minutes. This initial fire will burn away the manufacturing oil and residue. It is normal to have smoke or slight odor.
2. If you ever experience a spill over while cooking, make sure you clean off the cooker before storing. Wait until the cooker is completely cool, and simply spray off the residue from the spill-over. **NOTE: The next time you use the cooker, it may burn off residue from the previous spill-over, causing an odor and/or smoke.**
3. To prevent rust on a steel cooker, wipe the appliance clean and spray the cooker frame with high temperature grill paint or non-flammable lubricant on any areas where the paint is chipped or shows signs of wear. Allow paint to cure for at least 24 hours before lighting.
4. Always check the dual jet burner tubes for any obstructions such as insects or insect nests in the burner. (Figure 1)

To remove obstructions:

- A. Use a narrow bottle brush or stiff wire to run up and down the length of the burner tubes.
- B. If necessary, use a water hose or compressed air to flush out any debris.



**Wear eye protection when flushing out the burner.**

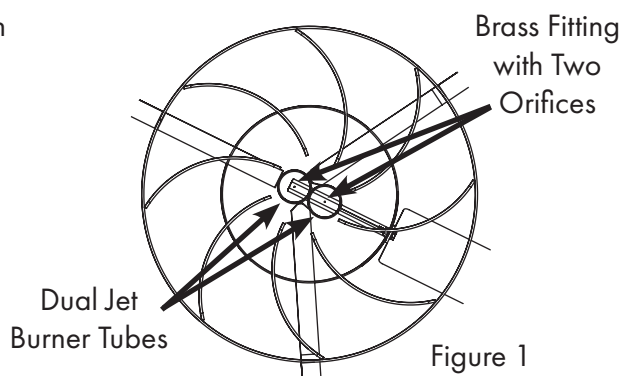


Figure 1

5. Test any thermometer (sold separately) before using it with this appliance. To test, wear a protective glove and hold the thermometer by the dial. Insert the stem into boiling water. The needle should quickly move around the dial and register approximately 212°F/100°C (plus or minus 5°F/2.78°C). This indicates whether or not the temperature reading is accurate. (Figure 2)
6. Store appliance in a dry place. If storing indoors (including a shed or garage), detach the LP cylinder and store the tank outside. For long term storage, cover the burner and the HVR with a plastic bag.
7. Always turn off (close) the gas supply and disconnect the hose and regulator from the LP cylinder to move or store.
8. Do not store this appliance, or any of its components, in a corrosive environment. A corrosive environment can be a highly damp area, or a saltwater/marine environment.

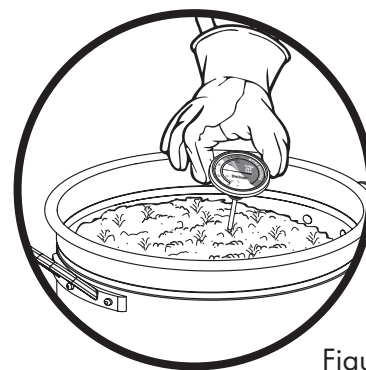


Figure 2

## ! WARNING !

- **Never spray anything on a hot cooker frame:**
  - A. **Spraying water will give off steam that can cause burns.**
  - B. **Spray paint and other petroleum distillates can burst into flame.**
- **Check and clean both jet burner tubes with every use. A clogged tube can lead to a fire beneath the appliance.**
- **Do not obstruct the flow of combustion and ventilation air.**
- **NEVER insert the stem of a liquid thermometer into food. This will cause an incorrect temperature reading.**
- **DO NOT attempt to use a thermometer if it is not working properly.**

# TROUBLE-SHOOTING

Still have questions? Contact Barbour International, Inc. customer service at 1-800-736-8028, or visit [www.thebayou.com](http://www.thebayou.com)

Symptom	Cause	Possible Solution
Burner will not light	Obstruction in the burner	Inspect burner. Wash out and dry if necessary.
	Part of appliance is damaged	Inspect LP tank, burner, and HVR assembly for damage. Replace any damaged or faulty parts.
Burner lights, but has very small/poor quality (sooty) flame	LP tank has low fuel	Use a tank fill gauge to always know gas level. If gas is too low to operate, refill or exchange tank.
	Gas Flow Limiting Device has activated	Completely turn off (close) the LP Cylinder Valve and the Adjustable Regulator Knob to prevent any gas flow. Wait 30 seconds and repeat steps for lighting.
	Not enough gas flow from tank	Turn up (open) LP Cylinder Valve all the way.
	Poor oxygen/gas mixture	Adjust Regulator Knob to obtain optimum blue flame.
Flame dramatically reduces, and LP cylinder has frost on it.	Extended cooking on HIGH	Swap to a full LP tank. If you continue cooking with the same LP tank, stop cooking for a few minutes and then start again operating at MEDIUM setting.
Flame has gone out	LP tank has low fuel	Use a tank fill gauge to always know gas level. If gas is too low to operate, refill or exchange tank.
	Too windy	Check wind direction and wait for wind to die down, or move appliance away from windy areas.
Hissing or gurgling sounds coming from appliance	Damaged or leaking hose and regulator assembly	Turn appliance off, and wait for it to cool down. Perform Gas Leak Test to confirm gas leak. Replace any damaged or faulty parts.
	Moisture in the jet burner/gas tube	Turn appliance off, and wait for it to cool down. Detach the hose and pour out water.

## WARRANTY

Barbour International, Inc. ("Vendor") warrants to the original retail purchaser of this appliance and no other person, that if this appliance is assembled and operated in accordance with the printed instructions accompanying it, then for a period of one (1) year from the date of purchase, all parts in such appliance shall be free from defects in material and workmanship. Vendor may require reasonable proof of your date of purchase from an authorized retailer or distributor. Therefore, you should retain your sales slip or invoice. This Limited Warranty shall be limited to the repair or replacement of parts, which prove defective under normal use and service and which Vendor shall determine in its reasonable discretion upon examination to be defective. Before returning any parts, you should contact Vendor's Customer Service Department using the listed contact information. If Vendor confirms, after examination, a defect covered by this Limited Warranty in any returned part, and if Vendor approves the claim, Vendor will replace such defective part without charge. If you return defective parts, transportation charges must be prepaid by you. Vendor will return replacement parts to the original retail purchaser, freight or postage prepaid.

This Limited Warranty does not cover any failures or operating difficulties due to accident, abuse, misuse, alteration, misapplication, improper installation or improper maintenance or service by you or any third party, or failure to perform normal and routine maintenance on the appliance, as set out in this owner's manual. In addition, the Limited Warranty does not cover damage to the finish, such as scratches, surface chips and cracks, discoloration, rust or other weather damage, after purchase.

This Limited Warranty is in lieu of all other express warranties. Vendor disclaims all warranties for products that are purchased from sellers other than authorized retailers or distributors. AFTER THE PERIOD OF THE ONE (1)-YEAR EXPRESS WARRANTY, VENDOR DISCLAIMS ANY AND ALL IMPLIED WARRANTIES, INCLUDING WITHOUT LIMITATION THE IMPLIED WARRANTIES OF MERCHANTABILITY AND FITNESS FOR A PARTICULAR PURPOSE. FURTHER, VENDOR SHALL HAVE NO LIABILITY WHATSOEVER TO PURCHASER OR ANY THIRD PARTY FOR ANY SPECIAL, INDIRECT, PUNITIVE, INCIDENTAL, OR CONSEQUENTIAL DAMAGES. Vendor assumes no responsibility for any defects caused by third parties. This Limited Warranty gives the purchaser specific legal rights; a purchaser may have other rights depending upon where he or she lives. Some jurisdictions do not allow the exclusion or limitation of special, incidental or consequential damages, or limitations on how long a warranty lasts, so the above exclusion and limitations may apply to you.

Vendor does not authorize any person or company to assume for it any other obligation or liability in connection with the sale, installation, use, removal, return, or replacement of its equipment, and no such representations are binding on Vendor.