

This Owner's Manual is provided and hosted by [Appliance Factory Parts](#).



Napoleon BL36-1 Owner's Manual

[Shop genuine replacement parts for Napoleon BL36-1](#)



ASCENT™ LINEAR 36

Direct Vent, Electronic Ignition

Natural Gas

[Find Your Napoleon Fireplace Parts - Select From 171 Models](#)

----- Manual continues below -----

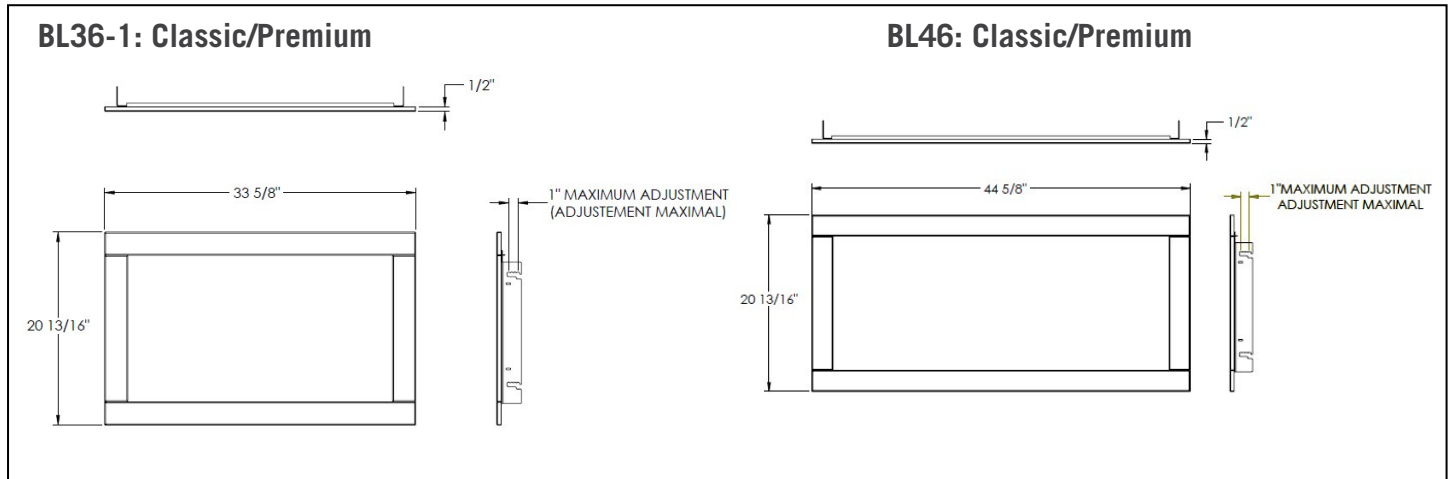
ASCENT™ LINEAR SERIES DIRECT VENT GAS FIREPLACE



Specifications

Model	BTU	Width		Height		Depth		Glass
		Actual	Framing	Actual	Framing	Actual	Framing	
BL36-1	17,500	35 15/16	36 1/2	39 1/16	39 3/8	15 3/4	16	16 3/4 X 30 3/4
BL46	24,000	46 7/8	47 3/8	39 1/16	39 3/8	18 5/16	18 9/16	16 3/4 X 41 11/16

Front Options



Flush Framing Clearances

WARNING

- Do not build into this area - it must be left clear to provide adequate clearance for the vent in this 14" (35.6cm) wide area centered along the front of the appliance. The appliance should be in its final location before framing.

	BL36-1	BL46
B	36 1/2" (92.7cm)	47 3/8" (120.3cm)
G	39 3/8" (100cm)	39 3/8" (100cm)
A	16" (40.6cm)	18 9/16" (47.1cm)
H	56" (142.2cm)	56" (142.2cm)

Recessed Framing Clearances

WARNING

- Do not build into this area - it must be left clear to provide adequate clearance for the vent in this 14" (35.6cm) wide area centered along the front of the appliance. The appliance should be in its final location before framing.

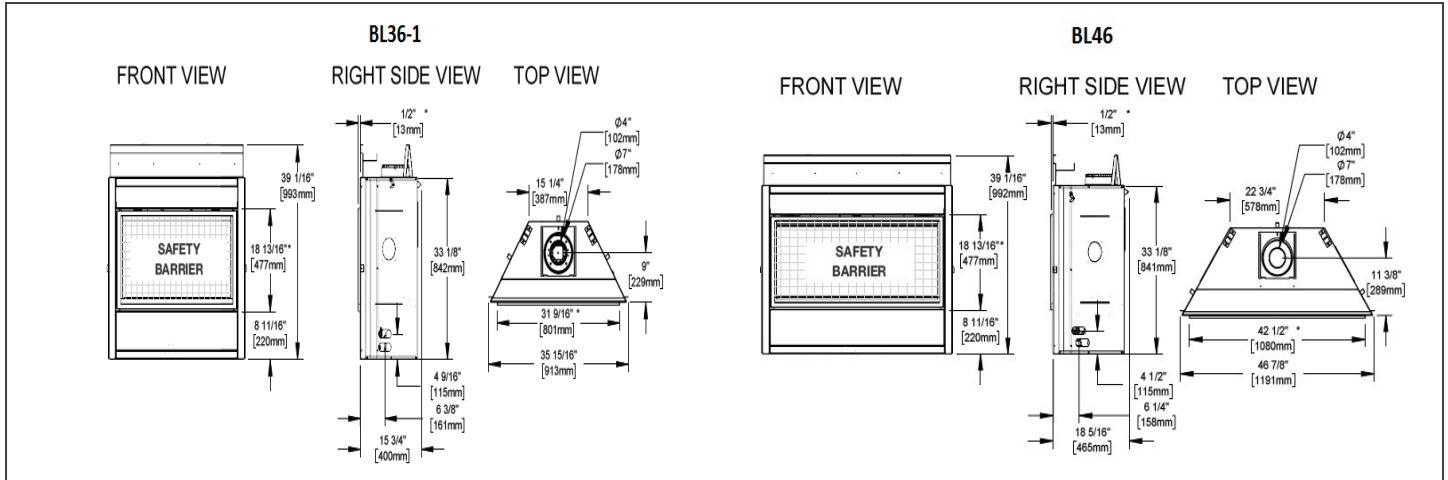
	BL36-1	BL46
I	41 1/2" (105.4cm)	41 1/2" (105.4cm)
A	16" (40.6cm)	18 9/16" (47.1cm)
B	36 1/2" (92.7cm)	47 3/8" (120.3cm)
H	56" (142.2cm)	56" (142.2cm)
J	4" (10.2cm)	4" (10.2cm)

ASCENT™ LINEAR SERIES DIRECT VENT GAS FIREPLACE

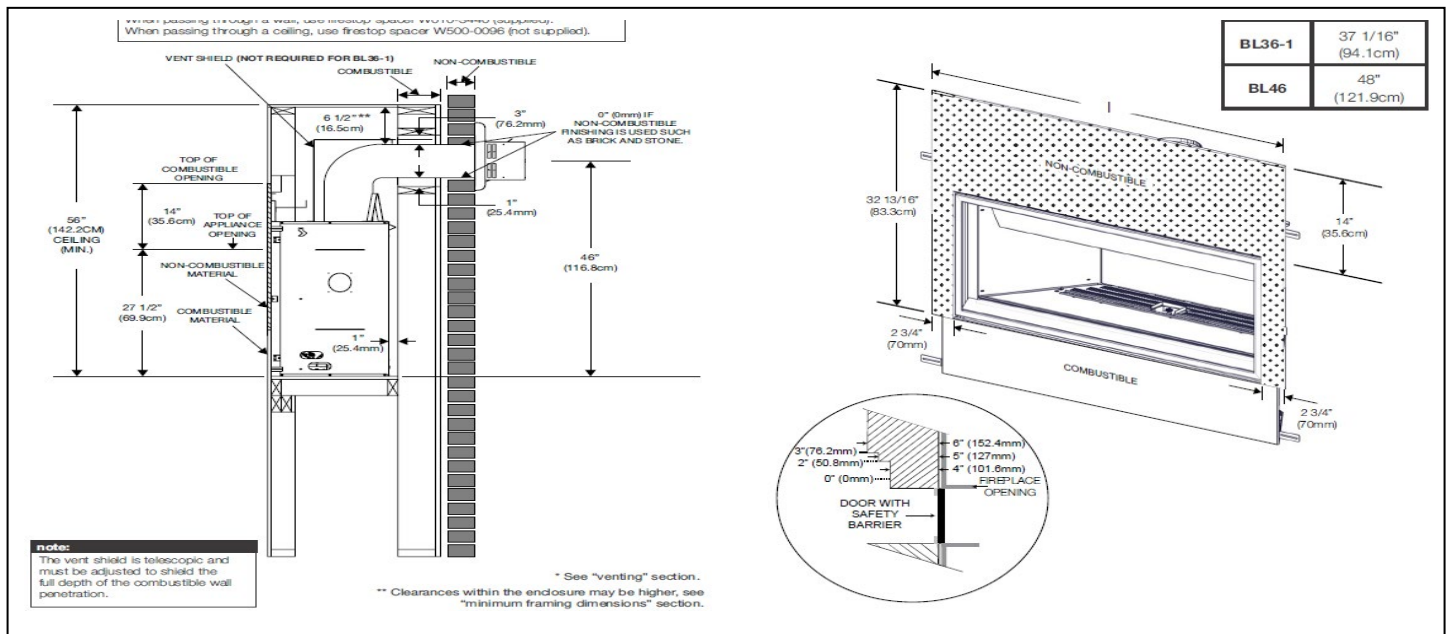


Product information provided is not complete and is subject to change without notice. Please consult the installation manual for the most up to date installation information.

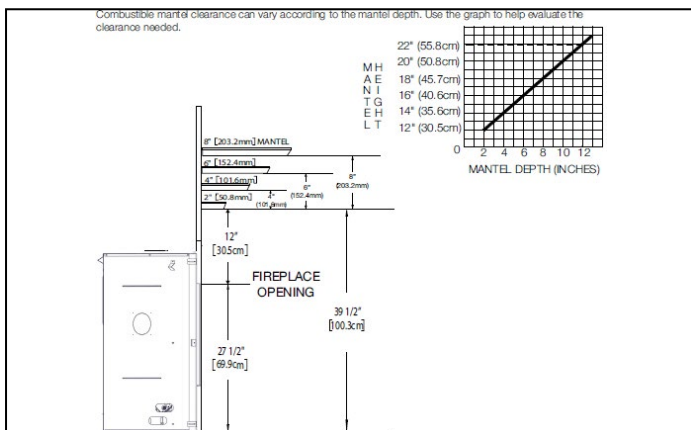
Dimensions



Wall Penetration



Combustible Mantel Clearances



Appliance Location

