

This Owner's Manual is provided and hosted by [Appliance Factory Parts](#).



Napoleon DX42PTRE Owner's Manual

[Shop genuine replacement parts for Napoleon
DX42PTRE](#)



ASCENT™ DEEP X 42

Direct Vent, Electronic Ignition

Propane

[Find Your Napoleon Fireplace Parts - Select From 171 Models](#)

----- Manual continues below -----

TRADITIONAL CHARM PREMIUM DEPTH

INTRODUCING THE NEW ASCENT DEEP SERIES



napoleon.com

Ascent Deep

Building on the popularity of Napoleon's Ascent Series, the new Ascent Deep fireboxes offer premium depth with all the key features and options that builders and remodelers rely on. The Ascent Deep is available in 2 models, both 22" deep. The D42 and DX42 offers a versatile range of options for design flexibility – with decorative brick panels, fronts and trims. The addition of optional heat management; an industry first in this segment, allows for reduction in clearance to combustibles, which reduces distance to sensitive items like TVs, sound equipment and artwork. Making your home layout more comfortable for years of enjoyment.

Competitive Advantages

- 22" framing depth
- Optional heat management for reduced clearance to combustibles
- Wide range of optional accessories
- Will allow Rigid and Flex venting
- Battery back-up, USB charging



D42

- 26,000 BTU
- Rigid & Flex venting available
- Tempered Heat Resistant Glass
- Remote optional
- Blower optional
- Standard safety barrier



DX42

- 31,000 BTU
- Rigid & Flex venting available
- Ceramic Glass
- Remote standard
- Blower standard
- Lighting standard
- Premium safety barrier

Features / Options / Accessories



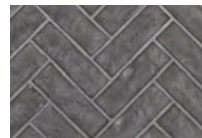
MIRRO-FLAME[™] Porcelain Reflective Radiant Panels



Sandstone Decorative Brick Panels



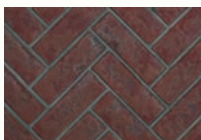
Newport[™] Decorative Brick Panels



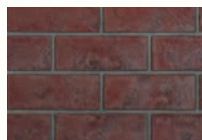
Westminster Grey Herringbone Decorative Brick Panels



Westminster[™] Grey Standard Decorative Brick Panels



Old Town Red[™] Herringbone Decorative Brick Panels



Old Town Red[™] Standard Decorative Brick Panels



Split Oak Log Set Included



Shore Fire Kit



Mineral Rock Kit



Beach Fire Kit



Remote Control (D42)



Remote Control (DX42)



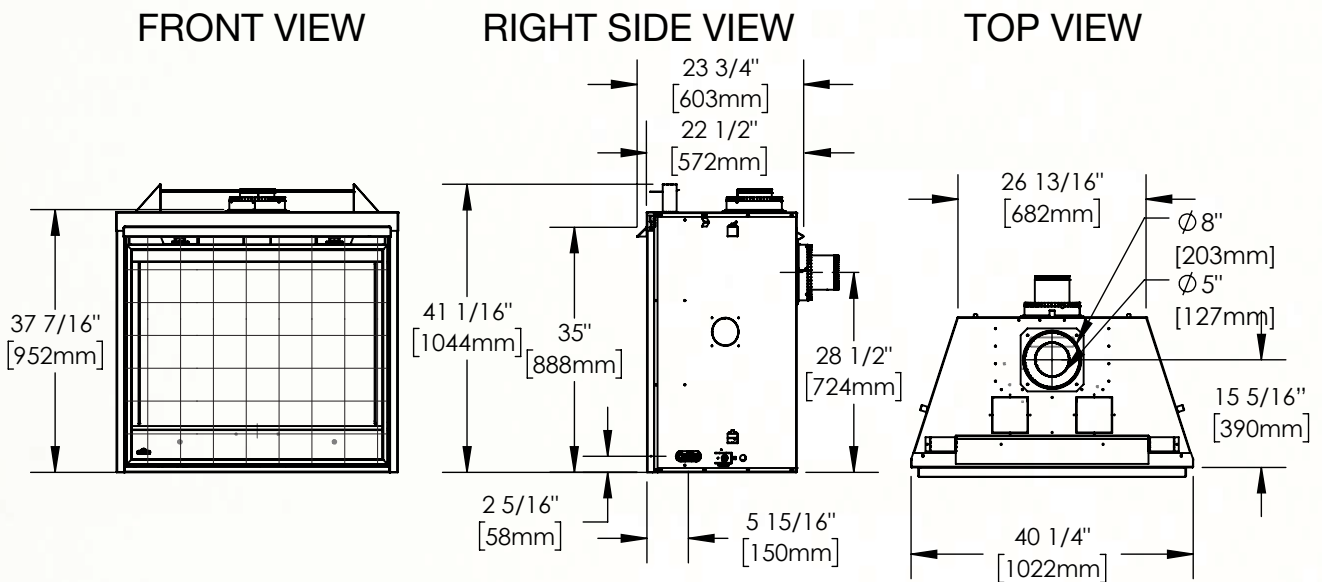
A premium depth builder gas fireplace, the Ascent Deep X DX42 offers a versatile range of options for design flexibility!



Specifications

| Model | BTU's (Input) | Venting | Vent Size | Glass Type | Height | | Front Width | | Depth | | Glass Viewing Area | | Remote | Blower |
|-------|---------------|--------------|----------------|------------|----------|---------|-------------|---------|---------|---------|--------------------|---------|----------|----------|
| | | | | | Actual | Framing | Actual | Framing | Actual | Framing | Height | Width | | |
| D42 | 26,000 | Rigid & Flex | 5/8 Top & Rear | Tempered | 37 7/16" | 42" | 40 1/4" | 40 7/8" | 22 1/2" | 23" | 27" | 35 3/4" | Optional | Optional |
| DX42 | 31,000 | Rigid & Flex | 5/8 Top & Rear | Ceramic | 37 7/16" | 42" | 40 1/4" | 40 7/8" | 22 1/2" | 23" | 27" | 35 3/4" | Included | Included |

Certified under Canadian and American National Standards
 Figures may vary with individual conditions such as floor plan layout, insulation value/heat loss of the house and geographical location.



Authorized Dealer

24 Napoleon Road, Barrie, Ontario, Canada L4M 0G8
 103 Miller Drive, Crittenden, Kentucky, USA 41030
 7200 Trans Canada Highway, Montreal, Quebec, Canada H4T 1A3

Tel: 1-866-820-8686
 napoleon.com



Consult your owner's manual for complete installation instructions, accurate framing dimensions and proper clearances to combustible material.
 Check all local and national building codes. All specifications are subject to change without prior notice due to on-going product improvements.
 Products may not be exactly as shown. Napoleon is a registered trademark of Wolf Steel Ltd. © Wolf Steel inc.

Printed in Canada
 09/2020