

This Owner's Manual is provided and hosted by [Appliance Factory Parts](#).



Napoleon AX36NTE Owner's Manual

[Shop genuine replacement parts for Napoleon
AX36NTE](#)



ALTITUDE™ X 36

Direct Vent, Electronic Ignition

Natural Gas

[Find Your Napoleon Fireplace Parts - Select From 171 Models](#)

----- Manual continues below -----



OWNER'S MANUAL

Altitude™ X Series
(AX42 illustrated)



For indoor use only

SAFETY INFORMATION

⚠ WARNING

FIRE OR EXPLOSION HAZARD

Failure to follow safety warnings exactly could result in serious injury, death, or property damage.

- Do not store or use gasoline or other flammable vapors and liquids in the vicinity of this or any other appliance.

- WHAT TO DO IF YOU SMELL GAS:

- Do not try to light any appliance.
- Do not touch any electrical switch; do not use any phone in your building.
- Immediately call your gas supplier from a neighbour's phone. Follow the gas supplier's instructions.
- If you cannot reach your gas supplier, call the fire department.

- Installation and service must be performed by a qualified installer, service agency, or the supplier.




APPLY SERIAL NUMBER LABEL FROM CARTON



WARNING

- This appliance is hot when operated and can cause severe burns if contacted.
- Any changes to this appliance or its control can be dangerous and are prohibited.
- Do not operate appliance before reading and understanding operating instructions. Failure to operate appliance according to operating instructions could cause fire or injury.
- Risk of fire or asphyxiation do not operate appliance with fixed glass removed.
- Do not connect 110 volts to the control valve.
- Risk of burns. The appliance should be turned off and cooled before servicing.
- Do not install damaged, incomplete or substitute components.
- Risk of cuts and abrasions. Wear protective gloves and safety glasses during installation. Sheet metal edges may be sharp.
- Children and adults should be alerted to the hazards of high surface temperature and should stay away to avoid burns or clothing ignition.
- Young children should be carefully supervised when they are in the same room as the appliance. Toddlers, young children, and others may be susceptible to accidental contact burns. A physical barrier is recommended if there are at risk individuals in the house. To restrict access to an appliance or stove, install an adjustable safety gate to keep toddlers, young children and other at risk individuals out of the room and away from hot surfaces.
- Clothing or other flammable material should not be placed on or near the appliance.
- Due to high temperatures, the appliance should be located out of traffic and away from furniture and draperies.
- Ensure you have incorporated adequate safety measure to protect infants/toddlers from touching hot surfaces.
- Even after the appliance is out, the glass and/or screen will remain hot for an extended period of time.
- Check with your local hearth specialty dealer for safety screens and hearth guards to protect children from hot surfaces. These screens and guards must be fastened to the floor.
- Any safety screen, guard or barrier removed for servicing the appliance, must be replaced prior to operating the appliance.
- The appliance is a vented gas-fired appliance. Do not burn wood or other materials in the appliance.
- The appliance area must be kept clear and free from combustible materials, gasoline and other flammable vapors and liquids.
- Under no circumstances should this appliance be modified.
- This appliance must not be connected to a chimney flue pipe serving a separate solid fuel burning appliance.
- Do not use this appliance if any part has been under water. Immediately call a qualified service technician to inspect the appliance and to replace any part of the control system and any gas control which has been under water.
- Do not operate the appliance with the glass door removed, cracked or broken. Replacement of the glass should be done by a licensed or qualified service person.
- Do not strike or slam shut the appliance glass door.
- When equipped with pressure relief doors, they must be kept closed while the appliance is operating to prevent exhaust fumes containing carbon monoxide, from entering into the home. Temperatures of the exhaust escaping through these openings can also cause the surrounding combustible materials to overheat and catch fire.
- Only doors / optional fronts certified with the unit are to be installed on the appliance.
- Keep the packaging material out of reach of children and dispose of the material in a safe manner. As with all plastic bags, these are not toys and should be kept away from children and infants.
- As with any combustion appliance, we recommend having your appliance regularly inspected and serviced as well as having a carbon monoxide detector installed in the same area to defend you and your family against carbon monoxide.
- Ensure clearances to combustibles are maintained when building a mantel or shelves above the appliance. Elevated temperatures on the wall or in the air above the appliance can cause melting, discoloration or damage to decorations, a T.V. or other electronic components.
- A barrier designed to reduce the risk of burns from the hot viewing glass is provided with this appliance and shall be installed.
- If the barrier becomes damaged, the barrier shall be replaced with the manufacturer's barrier for this appliance.
- Installation and repair should be done by a qualified service person. The appliance should be inspected before use and at least annually by a professional service person. More frequent cleaning may be required due to excessive lint from carpeting, bedding material, etc. It is imperative that control compartments, burners and circulating air passageways of the appliance be kept clean.

 WARNING: This product can expose you to chemicals including lead and lead compounds, which are known to the State of California to cause cancer, and chemicals including carbon monoxide, which are known to the State of California to cause birth defects or other reproductive harm. For more information, go to www.P65Warnings.ca.gov.

1.0	getting to know your appliance	5
1.1	control access	6
1.2	rating plate information	6
2.0	operating your appliance	7
2.1	initializing the transmitter / battery holder for the first time	7
2.2	using your appliance	7
3.0	remote control layout	8
3.1	general transmitter layout	8
3.2	temperature display	8
3.3	flame height	9
3.4	blower speed	9
3.5	night light dimmer control	9
3.6	in the event of a power failure	9
3.7	continuous pilot / intermittent pilot (CPI/IPI) selection	9
3.8	eFIRE Controller application	10
3.9	low battery	10
3.10	battery holder / backup installation	10
4.0	operation	11
4.1	pilot-on-demand	12
5.0	clearances around appliance	13
5.1	optional heat management system (AXHM)	14
6.0	maintenance	16
6.1	care of glass	16
6.2	care of plated parts	17
6.3	safety barrier removal	17
6.4	firebox glass door removal	18
6.5	top and bottom door trim installation	18
7.0	replacement parts	19
8.0	accessories	20
9.0	troubleshooting	21
10.0	warranty	22
11.0	service history	23

Before reading this manual, be sure you know which model of appliance that you have. This information will have been filled out by the installer on the following page and on the rating plate that is permanently attached to the appliance (see “rating plate information” section).

This manual is for the:

- **Altitude™ X Series (AX36 and AX42 models)**

If required, more detailed technical information is included in the appliance installation manual.

The information throughout this manual is believed to be correct at the time of printing. Wolf Steel Ltd. reserves the right to change or modify any information within this manual at any time without notice.

Visit the Napoleon website for the most current version of your appliance’s manual.

Changes, other than editorial, are denoted by a vertical line in the margin.

This appliance is suitable for use with Napoleon’s optional Altitude™ X Heat Management system. THIS MANUAL **DOES NOT** include detailed information relating the optional system. Framing and finishing are NOT the same. For further details, refer to AXHM instructions provided with the kit before starting installation.



Batteries must be disposed of according to the local laws and regulations. Some batteries may be recycled, and may be accepted for disposal at your local recycling center. Check with your municipality for recycling instructions.

welcome congratulations!

Napoleon is proudly committed to your total home comfort. We are proud to say that our products continuously surpass industry standards and our inspiration is you! More than anything, we want you to feel confident in choosing Napoleon for your home. Our products are designed to provide that confidence and ensure that every Napoleon product is beyond compare.

Napoleon products are designed with superior components and materials assembled by trained craftsmen who take great pride in their work.

A barrier designed to reduce the risk of burns from the hot viewing glass is provided with the appliance for your safety. **This barrier must be installed.**

Your Napoleon appliance has been thoroughly inspected by a qualified technician before packaging to ensure that you, the customer, receives the quality product that you expect from Napoleon.

Dealer : Fill in your dealer information (or business card) and the appliance installation information below.

Dealer Information

Name of Dealer: _____

Dealer Location: _____

Dealer Phone: _____

Dealer E-mail: _____

Customer: _____

Customer Address: _____

Date of Installation: _____

Location of the appliance: _____

Installer: _____

Dealer: Business card location

Serial Number: _____

Model:

Natural Gas: AX36NTE
 AX42NTE

Propane: AX36PTE
 AX42PTE

Altitude™ X Heat Management Kit installed (Optional)

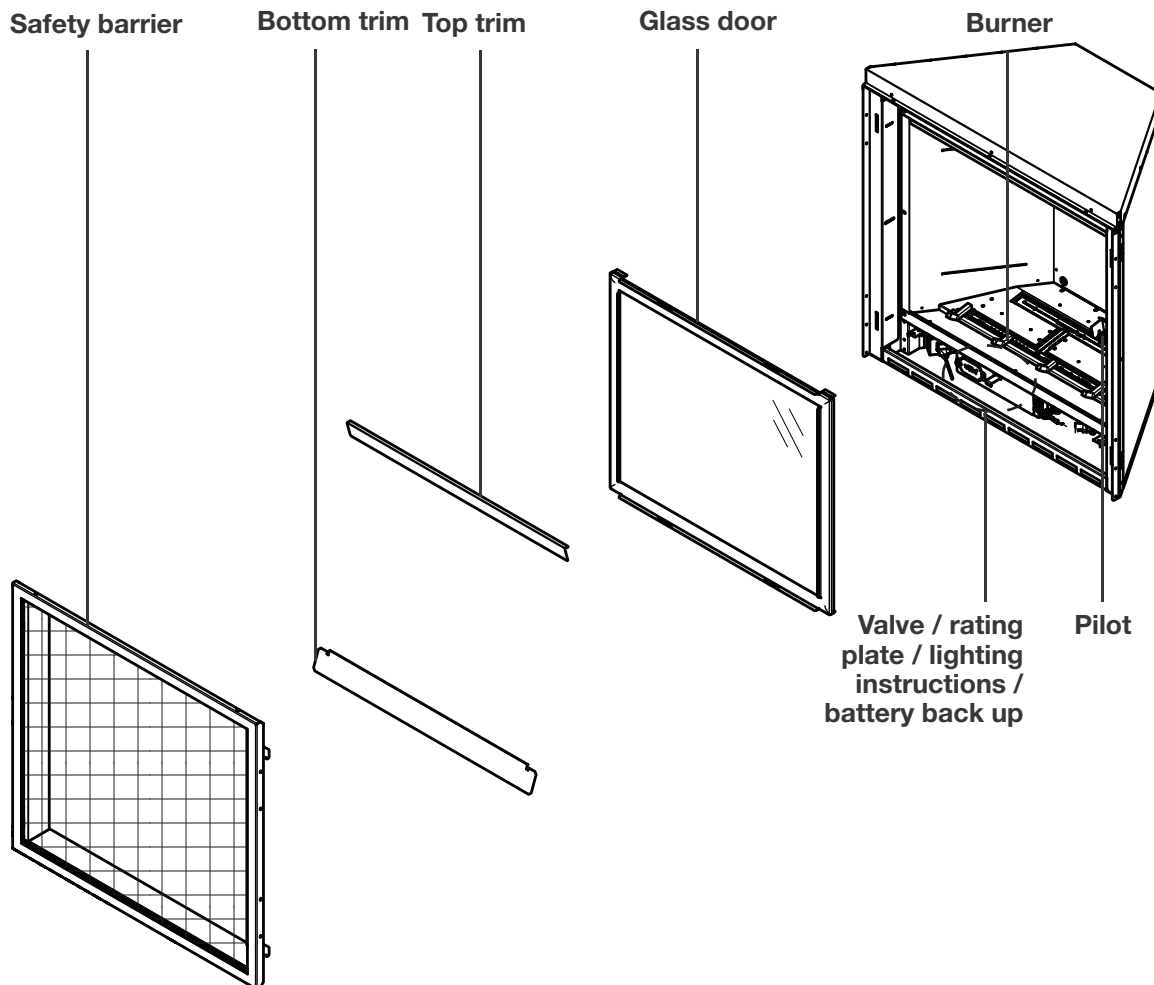
1.0 getting to know your appliance EN

The area above the appliance opening including the safety barrier, barrier frame and the surface of the wall can get very hot during operation and should never be touched until the appliance is off and completely cooled.

DANGER

HOT GLASS WILL CAUSE BURNS.
DO NOT TOUCH GLASS UNTIL COOLED.
NEVER ALLOW CHILDREN TO TOUCH GLASS.

A barrier designed to reduce the risk of burns from the hot viewing glass is provided with this appliance and shall be installed for the protection of children and other at-risk individuals.



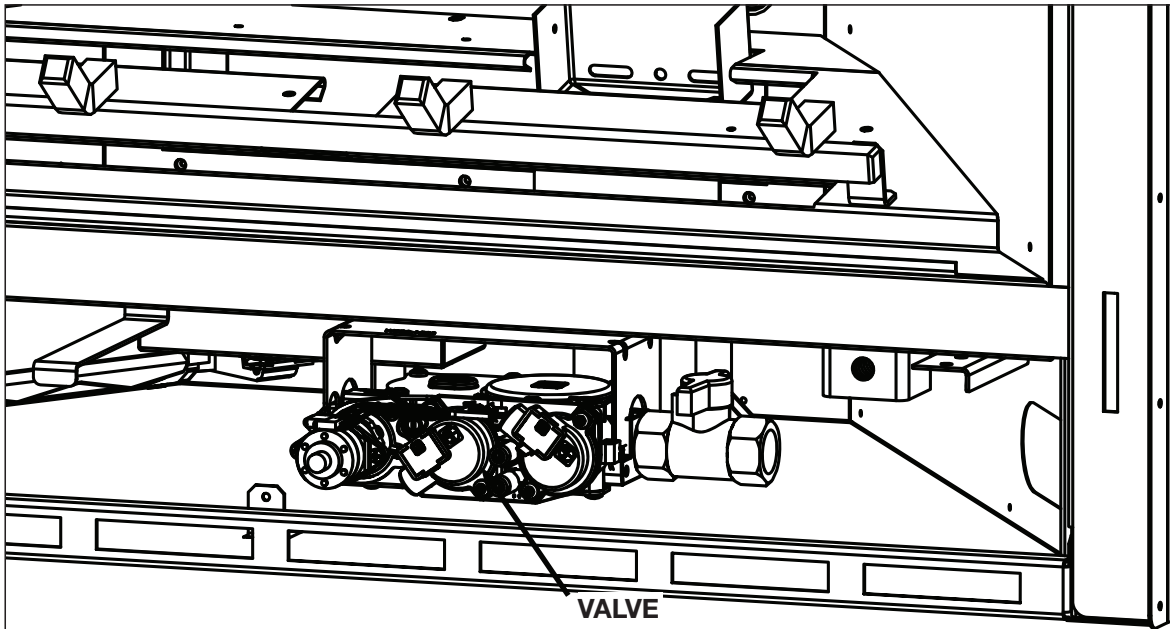
note:

Some features and locations may vary depending on the model.

getting to know your appliance

1.1 control access

Access to the control can be done by removing the safety barrier, glass door and door trims (see “maintenance” section for instructions on how to remove these components).



1.2 rating plate information

This illustration is for reference only. Refer to the rating plate on the appliance for accurate information.

Certified to Canadian and American National Standards: **CSA 2.22-XXXX / ANSI Z21.50-XXXX for Vented Decorative Gas Appliances**
 Certifié selon les normes Nationales Canadiennes et Américaines: **CSA 2.22-XXXX / ANSI Z21.50-XXXX pour les Appareils à gaz décoratif à évacuation**

Direct vent, vented gas fireplaces. Approved for bedroom, bathroom and bed-sitting room installation. Suitable for mobile home installation, if installed in accordance with the current standard CAN / CSA Z240MH Series gas equipped mobile homes in Canada, or, in the United States, the *Manufactured Home Construction and Safety Standard, Title 24 CFR, Part 3280*. When this US Standard is not applicable, use the *Standard for Fire Safety Criteria for Manufactured Home Installations, Sites and Communities, ANSI / NFPA 501A*. This appliance must be installed in accordance with local codes, if any; if none, follow the current ANSI Z223.1 or CSA B149. For use with barrier **WXXX-XXXX**. Follow installation instructions. Foyer à gaz ventilé. Homologué pour installation dans une chambre à coucher, une salle de bain et un studio. Appropriate pour installation dans une maison mobile si son installation conforme aux exigences de la norme CAN / CSA Z240MH Série de maisons mobile équipées au gaz en vigueur au Canada, ou, aux États-Unis selon la norme *24 CFR, Part 3280, Manufactured Home Construction and Safety Standard*. Dans le cas où cette norme d'États-Unis n'est pas pertinente, utiliser la norme *NFPA 501A, Fire Safety Criteria for Manufactured Home Installations, Sites and Communities*. Installer l'appareil selon les codes ou règlements locaux ou, en l'absence de tels règlements, selon les codes d'installation ANSI Z223.1 ou CSA B149 en vigueur. **Utiliser uniquement avec l'écran WXXX-XXXX. Suivre les instructions d'installation.**

9700539 (WSL) 4001658 (NAC) 4001657 (NGZ) 4001659 (WUSA)

MODEL / MODÈLE

<input type="checkbox"/> XXXX	<input type="checkbox"/> XXXX	<input type="checkbox"/> XXXX	<input type="checkbox"/> XXXX
<input type="checkbox"/> XXXX	<input type="checkbox"/> XXXX	<input type="checkbox"/> XXXX	<input type="checkbox"/> XXXX

Altitude Input XX,XXX XX,XXX XX,XXX
 Reduced Input P4 XX,XXX XX,XXX XX,XXX

Manifold Pressure: 3.5" w.c. (NG) Minimum Supply Pressure: 4.5" w.c. (NG) Maximum Supply Pressure: 7" w.c. (NG)
 Pression au Collecteur: 3.5" d'une colonne d'eau (GN) Pression d'Alimentation Min.: 4.5" d'une colonne d'eau (GN) Pression d'Alimentation Max.: 7" ** d'une colonne d'eau (GN)

*** Maximum inlet pressure not to exceed 13". ** Pression d'alimentation maximale ne devrait pas dépasser 13".

Minimum clearance to combustible materials:
 Top, sides & back: per standoff spacers for framing and finishing materials. For non-combustible framing and finishing materials, see installation manual.
 Top X" Floor X" Sides X" Back X" Vent top X" Vent sides & bottom X" Recessed depth X" *** Mantel X" from appliance opening

*** Maximum horizontal extension:
 X". See installation manual for greater extensions, minimum vent lengths and maximum vent lengths.
 Electrical rating: 115V, 60Hz. Less than 12 amperes.

Dégagements minimaux des matériaux combustibles:
 Dessus, côtés et arrière: selon les espacements de dégagements pour les matériaux d'ossature selon le manuel du propriétaire pour les matériaux de finition.
 Dessus X" Plancher X" Côtés X" Arrière X" Dessus du conduit d'évent X" Côtés et dessous du conduit d'évent X" Profondeur d'encastrement une face X" *** Tablette X" de l'ouverture de l'appareil

*** L'extension horizontale maximale: X".
 Référez au manuel d'installation pour des extensions plus grandes, les longueurs d'évacuation minimales et maximum.

Spécifications électriques: 115V, 60Hz. Moins de 12 ampères.

Energy Verified
Énergie vérifiée

REFERENCE# 161746

VENTED DECORATIVE GAS APPLIANCE: NOT A SOURCE OF HEAT, NOT INTENDED FOR USE AS A HEATING APPLIANCE, NOT FOR USE WITH SOLID FUEL.
APPAREIL À GAZ DÉCORATIF À ÉVACUATION: N'EST PAS UNE SOURCE DE CHALEUR; N'EST PAS DESTINÉ À ÊTRE UTILISÉ COMME UN APPAREIL DE CHAUFFAGE; NE CONVIENT PAS AUX COMBUSTIBLES SOLIDES.

FOR USE WITH GLASS DOORS CERTIFIED WITH THIS APPLIANCE ONLY. POUR UTILISATION UNIQUEMENT AVEC LES PORTES EN VERRE CERTIFIÉES AVEC L'APPAREIL.

For natural gas when equipped with No. XX drill size orifice.
 For propane when equipped with No. XX drill size orifice.
 Convient au gaz naturel quand l'appareil est muni d'un injecteur de diamètre no. XX.
 Convient au propane quand l'appareil est muni d'un injecteur de diamètre no. XX.

WARNING: Do not add any material to the appliance which will come in contact with the flames, other than that supplied by the manufacturer with the appliance.
AVERTISSEMENT: N'ajoutez pas à cet appareil aucun matériau devant entrer en contact avec les flammes autre que celui qui est fourni avec cet appareil par le fabricant.

The appliance must be vented using the appropriate Napoleon vent kits. See installation manual for venting specifications. Proper reinstallation and resealing is necessary after servicing the vent-air intake system.
 L'appareil doit être ventilé à l'aide de l'ensemble d'évacuation propre à Napoleon. Référez au manuel d'installation pour les spécifications d'évacuation. Il est nécessaire de bien réinstaller et resceller l'évacuation après avoir exécuté l'entretien du système de prise d'air.

Serial Number / N° de Série: **XXXX** **W385-XXXX**

note:

The rating plate must remain with the appliance at all times. It must not be removed.

2.1 initializing the transmitter / battery holder for the first time

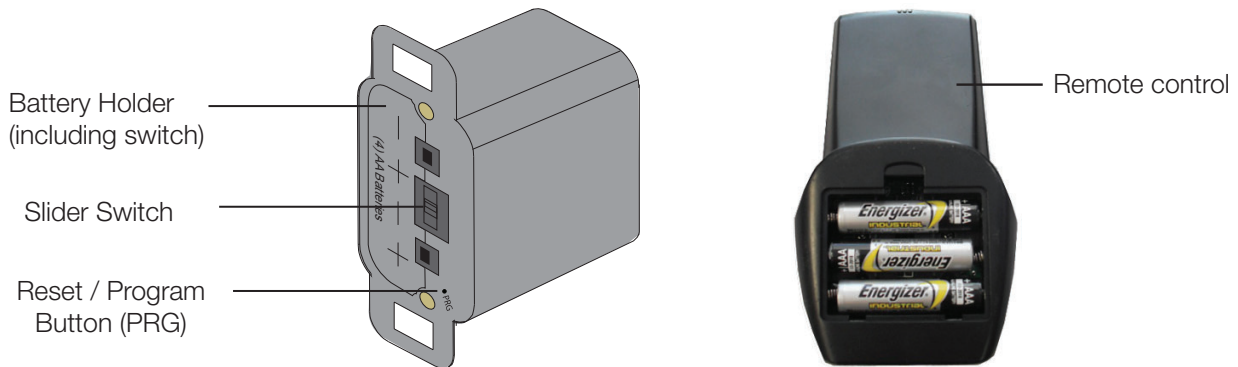
! WARNING

- Ensure the gas and electrical power to the appliance is turned off.
- Appliance may be hot, do not service until the appliance has cooled.

- Install the 4 AA batteries into the Proflame 2 battery holder, note the polarity of the batteries and insert as indicated on the cover (+/-).
- Ensure the 3 position slider switch is switched to the “REMOTE” position (middle position).
- Press the reset/programming button, use a small object such as a paper clip in order to reach the button marked PRG, as shown in the illustration below.
- The battery holder will beep 3 times to indicate that it's ready to synchronize with the transmitter.
- Install the 3 AAA batteries into the transmitter, as shown in the photograph below, then press the ON button. The battery holder will beep 4 times to indicate that the transmitter's command is accepted.

note:

The initializing process must be completed within 10 seconds of pressing the reset/programming button (PRG).



2.2 using your appliance

When operating your appliance for the first time, there is a required burn-in process that cures materials used to manufacture the appliance that may emit both vapors and an odor. These are normal when operating a new appliance for the first time. Ensure adequate air circulation is provided during burn-in process, if this was not completed by the installer during installation.

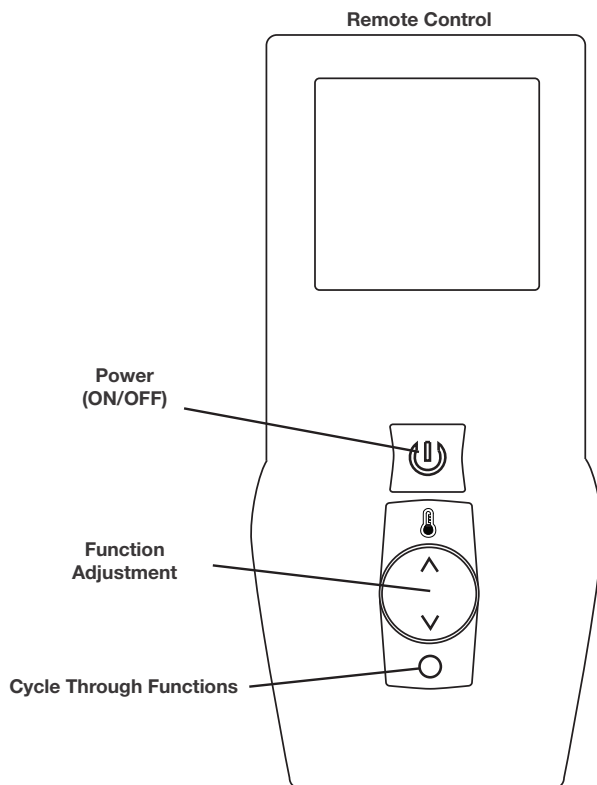
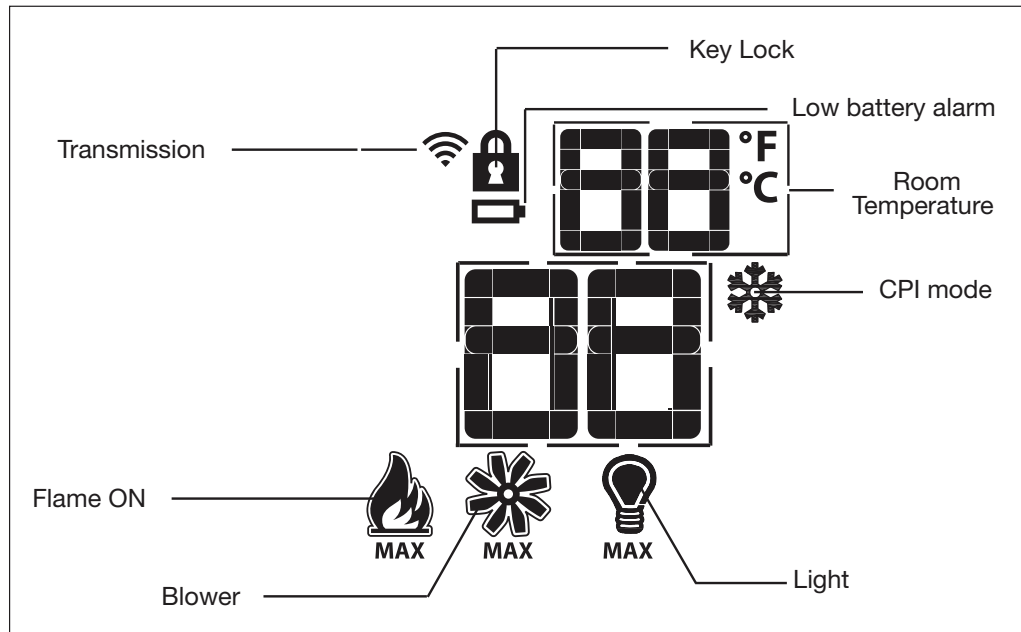
To turn the appliance on:

- Turn the remote on.
- After 3-5 seconds, the control will start a spark at the pilot, light the pilot and then the burner. The spark period will last 60 seconds, or until the pilot has lit.
- When used for the first time, if the burn-in process was not completed by the installer; run appliance continuously for minimum 4 hours (burn-in).
- Turn the appliance off. Wait until appliance is completely cool before moving to the next step.
- Remove the safety barrier, door trims and firebox glass door. Clean firebox glass door (see “maintenance” section). Replace firebox glass door, door trims and safety barrier.

For more detailed information, see your installation manual or contact your authorized dealer.

3.0 remote control layout

3.1 general transmitter layout



note:

Install the 3 'AAA' batteries into the remote control, as shown, then press the ON button. The battery holder will beep 4 times to indicate that the remote's command is accepted.



3.2 temperature display

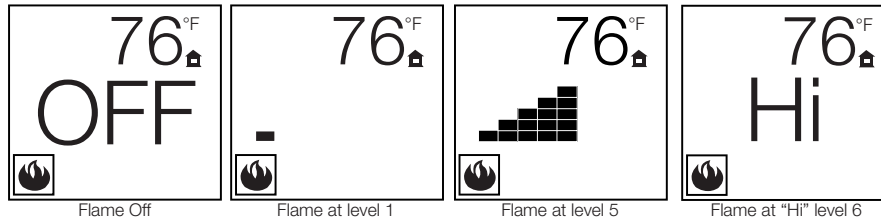
- With the system in the **off** position, press the **temperature key** and the **mode key** at the same time to change from degrees °F to °C.
- Look at the LCD screen on the transmitter to verify that a °C or °F is visible to the right of the room temperature display.



3.3 flame height

The remote control has six (6) flame levels. With the system on and the flame level at the maximum, press the **down arrow key** once and it will reduce the flame height by one step until the flame is turned off.

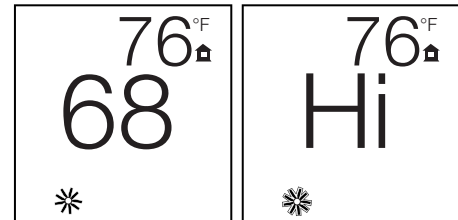
The **up arrow key** will increase the flame height each time it is pressed. If the **up arrow key** is pressed while the system is on but the flame is off, the flame will come on at the high position. A single “beep” will confirm reception of the command.



3.4 blower speed

The speed of the fan can be controlled by the remote system. The fan speed can be adjusted through six (6) speeds.

- Use the **mode key** to guide you to the fan control icon.
- Use the **up/down arrow keys** to turn **on/off** or adjust the fan speed. A single “beep” will confirm reception of the command.



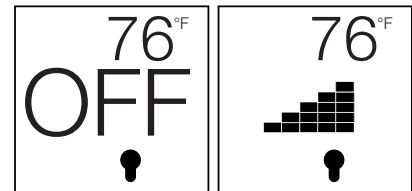
note:

When the desired blower speed is selected, the blower will automatically come on 5 minutes after the main burner has been turned on and remain on twelve minutes after it has been turned off.

3.5 night light dimmer control

The auxiliary function controls the **Night Light™** with dimmable control.

- Use the **mode key** to guide you to the **Night Light™** icon.
- The intensity of the output can be adjusted through 6 levels. Use the **up/down arrow keys** to adjust the output level. A single beep will confirm reception of the command.

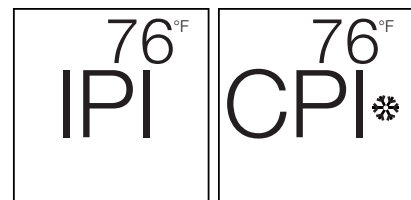


3.6 in the event of a power failure

If the receiver is equipped with batteries they will enable flame height control or **on/off** function to control the appliance during a power failure. Blower and **Night Light™** operation is not possible. Refer to “**appliance operation**” section when communications between receiver and transmitter have been lost. The receiver will emit a “beep” sound to confirm programming has been successful once power is restored. During a power failure, if the appliance was on, the flame height will stay at the setting prior to the failure. If off when the failure occurs and then turned on, the flame height will come on at “**Hi**”. The flame height can then be controlled by the remote.

3.7 continuous pilot / intermittent pilot (CPI/IPI) selection

- When the transmitter is in the **off** position, use the **mode key** to guide you to the CPI mode icon.
- Press the **up/down** to switch between **IPI and CPI modes**. A single beep will confirm reception of the command.



note:

If the appliance is equipped with a CPI/IPI* toggle switch, set the CPI/IPI to CPI position to enable remote CPI operation. If the switch is set to IPI then it will only work in IPI regardless of what is set on the remote control handset.

* Some jurisdictions may prohibit the use of a standing pilot. In these jurisdictions, the CPI switch shall be disconnected to comply with local code.

remote control layout

3.8 eFIRE Controller application

Napoleon's eFIRE application will revolutionize the way you use your fireplace! We have cracked the code and present to you the first fireplace to be controlled by Bluetooth™ technology, using an intuitive app on your mobile device.

When fully equipped (if applicable), the eFIRE application allows you to select from a multitude of colours to suit your mood or décor simply by scrolling through the colour wheel. Additionally, Napoleon's eFIRE application allows you to control many other functions of your fireplace, including on/off, flame height, light feature, blower, and a timer to create a schedule for your fireplace that works for you.

Using the instructions on the eFIRE Controller application website <http://napoleonfireplaces.com/efire>, install the application and enjoy the features the eFIRE Controller application has to offer. *

* Visit the website or contact your authorized dealer for appliance-specific information and/or frequently asked questions regarding features and products available with the eFIRE Controller application.

note:

The remote control is considered the master control for the appliance and can always be used to turn the appliance off (ex. the eFIRE Controller application user, in control of the appliance, leaves the home).

3.9 low battery

The life span of the remote batteries depends on various factors: quality of the batteries, the number of ignitions, etc.

When the transmitter batteries are low, a battery icon will appear on the LCD display before all battery power is lost. When the batteries are replaced, this icon will disappear.

When the receiver batteries are low, no “beep” will be emitted from the receiver when it receives an **on/off** command. This is an alert for the receiver that there's low battery.

When the batteries are replaced the “beep” will be emitted from the receiver when the **on/off key** is pressed.

If the batteries of the receiver or transmitter are low, the appliance can be turned on manually by sliding the three position slider switch on the receiver to the **on** position. This will bypass the remote control feature and the appliance main burner will come on if the gas valve is in the **on** position.

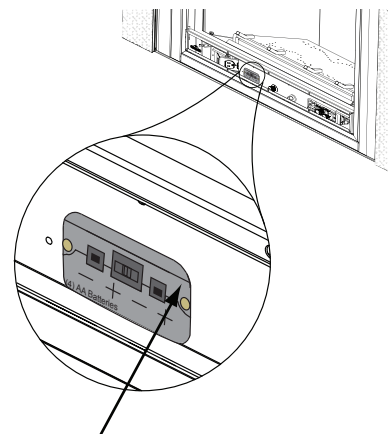


3.10 battery holder / backup installation

- A. The battery holder is located in the valve compartment, accessible for programming the remote.
- B. Install 4 AA batteries, Ensure that the positive and negative ends correspond with those identified in the battery holder.
- C. In the case of a power outage, the 3 position slider switch needs to be in the “ON” position (left).

note:

Ensure the 3 positions slider switch is in the “REMOTE” position (middle).



RESET/PROGRAM BUTTON (PRG)

! WARNING

- If you do not follow these instructions exactly, a fire or explosion may result causing property damage, personal injury, or loss of life.
- If applicable, always light the pilot whether for the first time or if the gas supply has run out with the glass door opened or removed.

Ensure that a continuous gas flow is at the burner before installing the door. When lit for the first time, the appliance will emit an odor for a few hours. This is a normal temporary condition caused by the “burn-in” of paints and lubricants used in the manufacturing process and will not occur again. After extended periods of non-operation, such as, following a vacation or warm weather season, the appliance may emit a slight odor for a few hours. This is caused by dust particules in the heat exchanger burning off. In both cases, open a window to sufficiently ventilate the room.

FOR YOUR SAFETY READ BEFORE LIGHTING

- Do not turn on if children or other at risk individuals are near the appliance.
- This appliance is equipped with an ignition device which automatically lights the pilot. Do not try to light the pilot by hand.
- Before operating, smell all around the appliance area for gas and next to the floor because some gas is heavier than air and will settle on the floor.
- Do not use this appliance if any part has been under water. Immediately call a qualified service technician to inspect the appliance and replace any part of the control system and any gas control which has been underwater.

WHAT TO DO IF YOU SMELL GAS

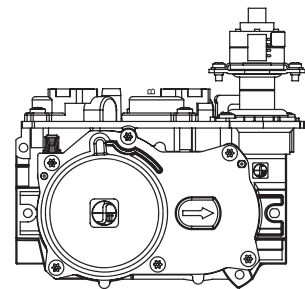
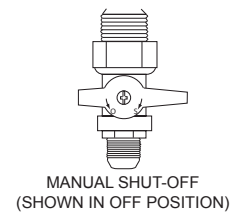
- Turn off all gas to the appliance.
- Open windows.
- Do not try to light any appliance.
- Do not touch any electric switch; do not use any phone in your building.
- Immediately call your gas supplier from a neighbour’s phone. Follow the gas supplier’s instructions.
- If you cannot reach your gas supplier, call the fire department.

LIGHTING INSTRUCTIONS

note:

This appliance is equipped with an ignition device which automatically lights the pilot. Do not try to light the pilot by hand.

- Stop! Read the above safety information on this label.
- Remove batteries from the transmitter and set thermostat to lowest setting, if equipped.
- Turn off all electrical power to the appliance.
- Open the glass door, if equipped.
- Turn the manual shut-off valve clockwise to the “OFF” position. (Shut-off valve is located on the flex connector).
- Wait five (5) minutes to clear out any gas. If you smell gas including near the floor, **STOP!** Follow the instructions above in the “WHAT TO DO IF YOU SMELL GAS” section. If you don’t smell gas; close the glass door and go to the next step.
- Turn the manual shut-off valve counter clockwise to the “ON” position.
- Turn on all electrical power to the appliance and re-install the batteries into the transmitter. Set thermostat to desired setting, if equipped.
- Turn on the remote wall switch to the appliance.
- If the appliance will not operate, follow instructions “TO TURN OFF GAS” and call your service technician or gas supplier.



TO TURN OFF GAS

- Set thermostat to lowest setting, if equipped.
- Turn off the remote wall switch to the appliance.
- Turn off all electric power to the appliance if service is to be performed.
- Turn manual shutoff valve clockwise to the “OFF” position. Do not force.

operation

4.1 pilot-on-demand

This appliance is equipped with an “On Demand” intermittent pilot ignition system (IPI) which also includes a continuous pilot ignition (CPI) mode with an integrated seven day timer. This system minimizes your appliance’s carbon footprint as well as reducing its annual fuel consumption and operating costs.

In IPI mode, the pilot will ignite prior to the main burner, when the appliance is turned on using a switch, remote or from a call for heat with the thermostat (if equipped). Once the appliance is turned off (or the call for heat is satisfied), the main burner and pilot flame will shut down.

The continuous (CPI) mode is intended to enhance the performance of the appliance during the startup phase in colder climates and extreme weather by keeping the system warm when the main burner is not in use. However, the timer feature provides the convenience that the appliance automatically switches off the pilot when the appliance has not been used for seven days to save unnecessary fuel consumption.

When the CPI function is turned on, the pilot will remain on after the main burner is turned off. A timer will then begin the countdown for approximately seven days before shutting off the pilot if the appliance is not used. This countdown will reset anytime the appliance main burner is used. Therefore, if the appliance is regularly used day to day, the pilot will remain on. However, this system does not require the user to remember to turn the pilot off as summer approaches and avoids unnecessary fuel consumption while still readily turned back on when the cold weather returns.

Your appliance may be equipped with an ACS or remote control device which enables you to select IPI or CPI modes.

If your appliance is equipped with an ACS switch, it has the option to change modes. If installed with the blue wire facing up, flipping the switch UP turns on the continuous pilot with timer and flipping the switch DOWN turns on the intermittent pilot ignition. If installed with the white wire facing up, the opposite is true.

If your appliance is equipped with a remote control device capable of selecting IPI / CPI modes, refer to remote operating instructions.

In order to start your pilot, turning the main burner on with the switch, remote or thermostat and then turning it off will reactivate the continuous pilot mode and reset the seven day timer.

For further information, refer to www.napoleon.com/pilotondemand.



! WARNING

- Your appliance, gas/electrical connections, venting and various key components are hidden behind the wall. It is critical that no screws penetrate these components. Failure to follow instructions may cause improper operation, damage, personal injury or fire. Always use a stud finder and only screw into studs.

Without making adequate provisions to account for the heat, the temperatures above the appliance will be hot, making it unsuitable for mounting a TV or other objects sensitive to heat without risk of damage.

Installing a mantel between this appliance and electronics or other materials that may be sensitive to heat will reduce the effect of direct heat on them.

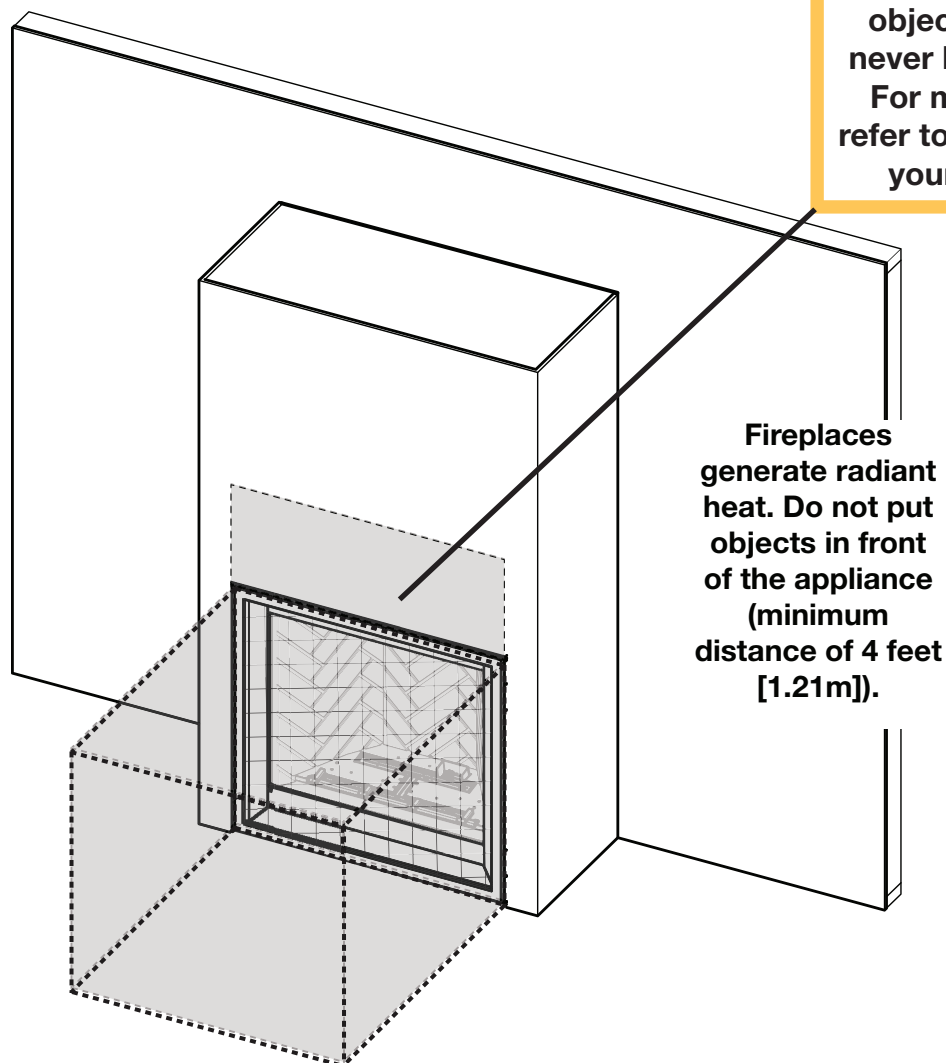
The size and material of the mantel will affect the allowable clearance above your appliance and incorrect placement could become a fire hazard. Consult your installation manual and/or authorized dealer for more information before mounting a mantel, a shelf or any other object above your appliance.

Your appliance, gas/electrical connections and vent are hidden directly behind the finished wall. Great care should be taken to avoid screwing or nailing into these components. Always use a stud finder to determine stud location and only screw into studs.

Do not screw into the area around the appliance opening as some of your appliance may be hidden behind the finished wall. Refer to your installation manual and/or contact your local dealer for more information.

! WARNING

The area above an appliance gets hot. Combustible objects or materials must never be placed in this area. For minimum clearances, refer to installation manual or your authorized dealer.



Fireplaces generate radiant heat. Do not put objects in front of the appliance (minimum distance of 4 feet [1.21m]).

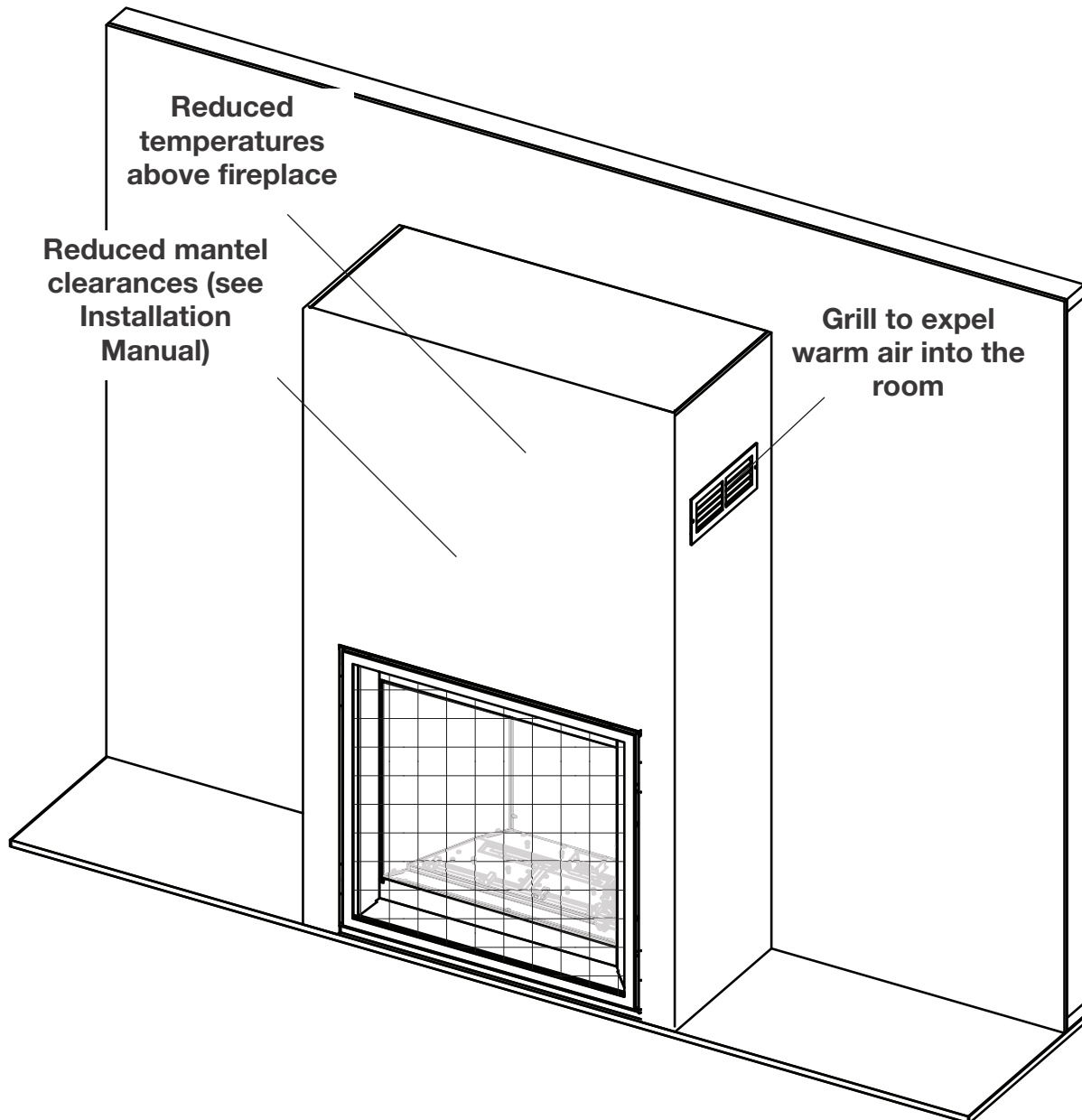
clearances around fireplace

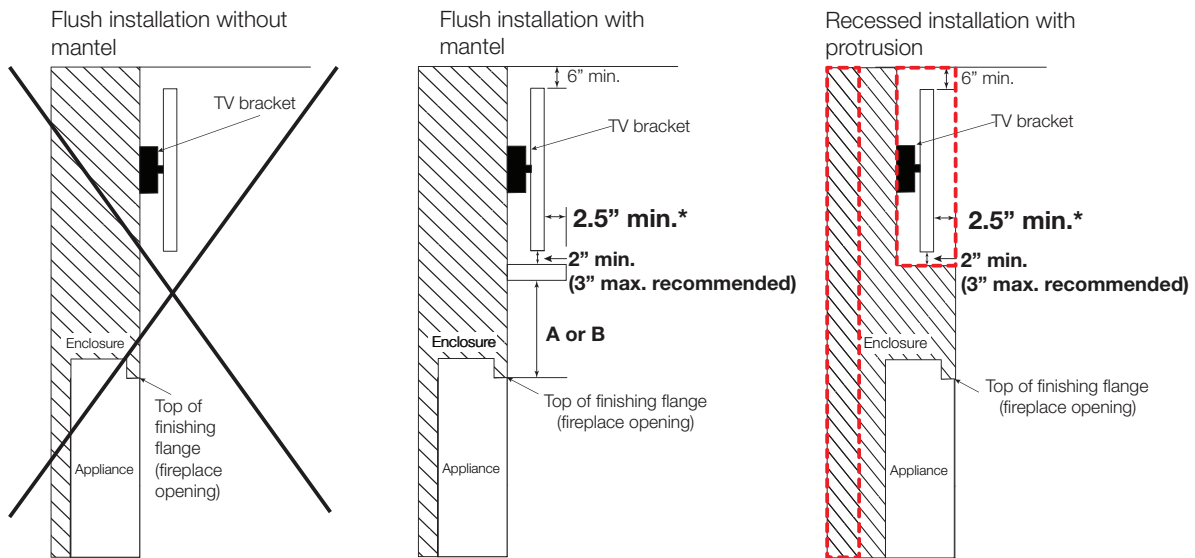
5.1 optional heat management system (AXHM)

Napoleon's Altitude™ X Heat Management system is an optional gravity vent kit that allows you to manage the heat produced by the appliance at and around the fireplace.

We recommend installing the Altitude™ X Heat Management kit during the installation of the appliance **BEFORE** the appliance venting and gas are installed.

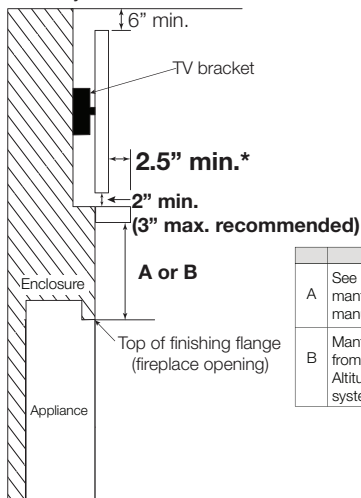
For more information, contact your local authorized dealer.





The volume of air must be added to the enclosure to accommodate the recessed area.

Partially recessed installation with mantel



A	See "minimum clearance to mantel" section (installation manual).
B	Mantle clearances reduced from opening with the use of the Altitude™ X heat management system.

* TV applications were tested with the Altitude™ X series with the minimum enclosure dimensions and the maximum recess permissible. Temperatures suitable for operating typical televisions, whilst operating the fireplace, were obtained **with a minimum of a 7" mantle protruding from front surface of the TV**. This data is provided in good faith and is not a guarantee for every application and television. Care and consideration should be taken when planning these installations to ensure the temperatures around the TV meet all manufacturer's recommended operating temperatures. Increasing the height of the mantel and/or TV above the fireplace opening, the protrusion of mantel and the volume of the enclosure all have the effect of reducing the temperature above the fireplace. **It is always recommended to use the optional heat management kit when considering mounting a television above the fireplace.**

note:

- **Electronic appliance temperatures must be validated at the time of installation** as air flow characteristics within the room can vary and maximum acceptable operating temperatures can vary from appliance to appliance. Electronic appliances cannot be used where the electronic appliance temperature exceeds the manufacturer's maximum allowable operating temperatures (see electronic appliance manufacturer's specifications). **Operating a television above the manufacturer's maximum allowable operating temperature will result in permature failure.**
- Mantel height and depth must conform to mantel clearance requirements specified in this manual, see "minimum clearance to combustible mantel" section in installation manual.
- Electronic appliance temperatures may be further reduced by increasing the horizontal distance between the front of the electronic appliance and the front edge of the mantel or by increasing dimension "A". However, increasing the gap between the top of the mantel and the bottom of the electronic appliance beyond the maximum recommended figure, typically results in higher temperatures. Minimum clearance between the mantel and bottom of the electronic appliance should be maintained to allow air circulation below and behind the electronic appliance.

6.0 maintenance

WARNING

- Turn off the gas and electrical power before servicing the appliance.
- Appliance may be hot. Do not service until appliance has cooled.
- **For qualified technicians only:**
- Label all wires prior to disconnection when servicing controls. Wiring errors can cause improper and dangerous operation. Verify proper operation after servicing.
- This appliance and its venting system should be inspected before use and at least annually by a qualified service person.
- The flow of combustion and ventilation air must not be obstructed.

DOS

- Clean your safety barrier regularly to prevent the build up of excessive lint/dust from carpeting, pet hair, etc. Simply vacuum using the brush attachment.
- Always use ammonia-free glass cleaners.
- Service your appliance annually and/or as required. Service must be conducted by a qualified technician.
- Keep your appliance area clear and free of combustible materials, gasoline, or other flammable vapors and liquids.
- Check to see that the burner ignites completely on all openings when turned on. A 5 to 10 second total light-up period is satisfactory. Service as required.

DON'TS

- Attempt to service the electrical or gas components. Contact a qualified technician.
- Use excessive force.
- Use abrasive cleaners on glass.
- Paint the pilot assembly.
- Place objects too close to the appliance opening.

note:

For any questions and/or concerns regarding your appliance, maintenance and service, please contact your authorized dealer.

6.1 care of glass

WARNING

- Do not clean glass when hot! Do not use abrasive cleaners to clean glass.

Buff lightly with a clean dry soft cloth to remove accumulated dust or fingerprints. Clean both sides of the glass after the first 10 hours of operation with an ammonia-free glass cleaner.

note:

Vinegar-based glass cleaners have demonstrated an ability to provide a clean, streak free glass surface.

Thereafter, clean as required. If the glass is not kept clean permanent discoloration and / or blemishes may result. Contact you local authorized dealer / distributor for complete cleaning instructions.

Razor blades, steel wool, or other metallic objects must not be used on both surfaces of the glass. Doing so can remove a thin layer of metal from the razor blades, steel wool, or other metallic objects that may then be deposited onto the coating. This can result in a discoloured stain or scratch-like mark. More importantly, this can scratch the glass surface, thereby reducing its strength.

Do not operate the appliance with broken glass, as leakage of flue gases may result.

Contact your local authorized dealer / distributor for complete cleaning instructions.

If the glass should ever crack or break while the fire is burning, do not open the door until the fire is out. Do not operate the appliance until the glass has been replaced. Contact you local authorized dealer / distributor for replacement parts. **DO NOT SUBSTITUTE MATERIALS.**

Replacement glass/frame assembly shall be replaced as a complete unit as supplied by the appliance manufacturer.

This appliance is factory equipped with 5mm ceramic glass. Use only replacement parts as supplied by the appliance manufacturer. **DO NOT SUBSTITUTE MATERIALS.**

6.2 care of plated parts

If the appliance is equipped with plated parts, you must clean fingerprints or other marks from the plated surfaces before operating the appliance for the first time. Use an ammonia-free or vinegar-based cleaner and a towel to clean. If not cleaned properly before operating for the first time, the marks can cause permanent blemishes on the plating. After the plating is cured, the fingerprints and oils will not affect the finish and little maintenance is required, just wipe clean as needed. Prolonged high temperature burning with the door ajar may cause discolouration on plated parts.

note:

The protective wrap on plated parts is best removed when the assembly is at room temperature but this can be improved if the assembly is warmed (i.e. using a hair dryer or similar heat source).

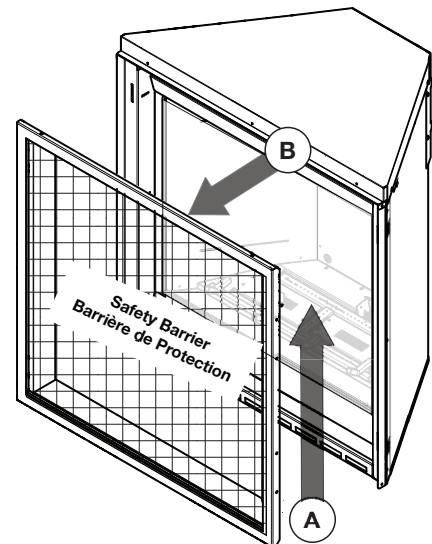
6.3 safety barrier removal

! WARNING

- Glass may be hot. Do not touch glass until cooled.
- If equipped with door latches that are part of a safety system, they must be properly engaged. Do not operate the appliance with latches disengaged.
- Facing and/or finishing materials must not interfere with air flow through air openings, louvre openings, operation of louvres, or doors/access for service. Observe all clearances when applying combustible materials.
- Before door is removed, turn the appliance off and wait until appliance is cool to the touch. Doors are heavy and fragile so handle with care.

A barrier designed to reduce the risk of burns from the hot viewing glass is provided with the appliance and must be installed.

Before the glass door can be removed, the safety screen must be removed. Lift the safety screen off the slots, tilt the top forward and remove from the appliance.



maintenance

6.4 firebox glass door removal

Leave a hand on the glass door during entire door removal. The glass door is secured to the firebox with four spring latches. Pull the handles of the latches forward (door latch tool supplied in manual baggie), then lift the latches out from the door frame to release the door. Next, pivot the door forward until the top edge clears the front of the appliance. Carefully grip the sides of the door lifting it off the appliance.

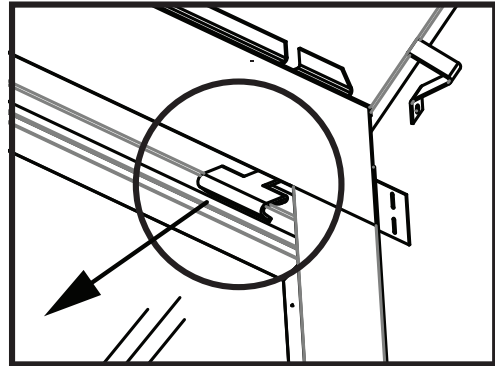
note:

These spring latches make up the spring relief system for the appliance. Ensure the door opens freely and closes sealed.

note:

When mounting the door, ensure there is equal space on both the left and the right side. This allows for easy installation of the front.

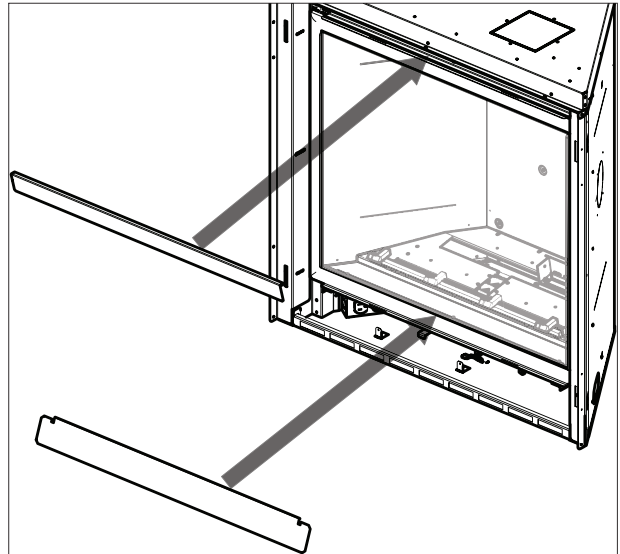
Reverse these steps to reinstall the door. Ensure safety screen is installed correctly.



6.5 top and bottom door trim installation

This appliance is shipped with a top and bottom door trim packaged separately from the appliance.

Both trims **MUST** be installed. See illustration.



! WARNING

- Failure to position the parts in accordance with this manual or failure to use only parts specifically approved with this appliance may result in property damage or personal injury.

Contact your dealer for questions concerning prices and policies on replacement parts. Normally, all parts can be ordered through your Authorized dealer / distributor.

For warranty replacement parts, a photocopy of the original invoice will be required to honour the claim.

When ordering replacement parts always give the following information:

- Model & Serial Number of appliance
- Installation date of appliance
- Part number
- Description of part
- Finish

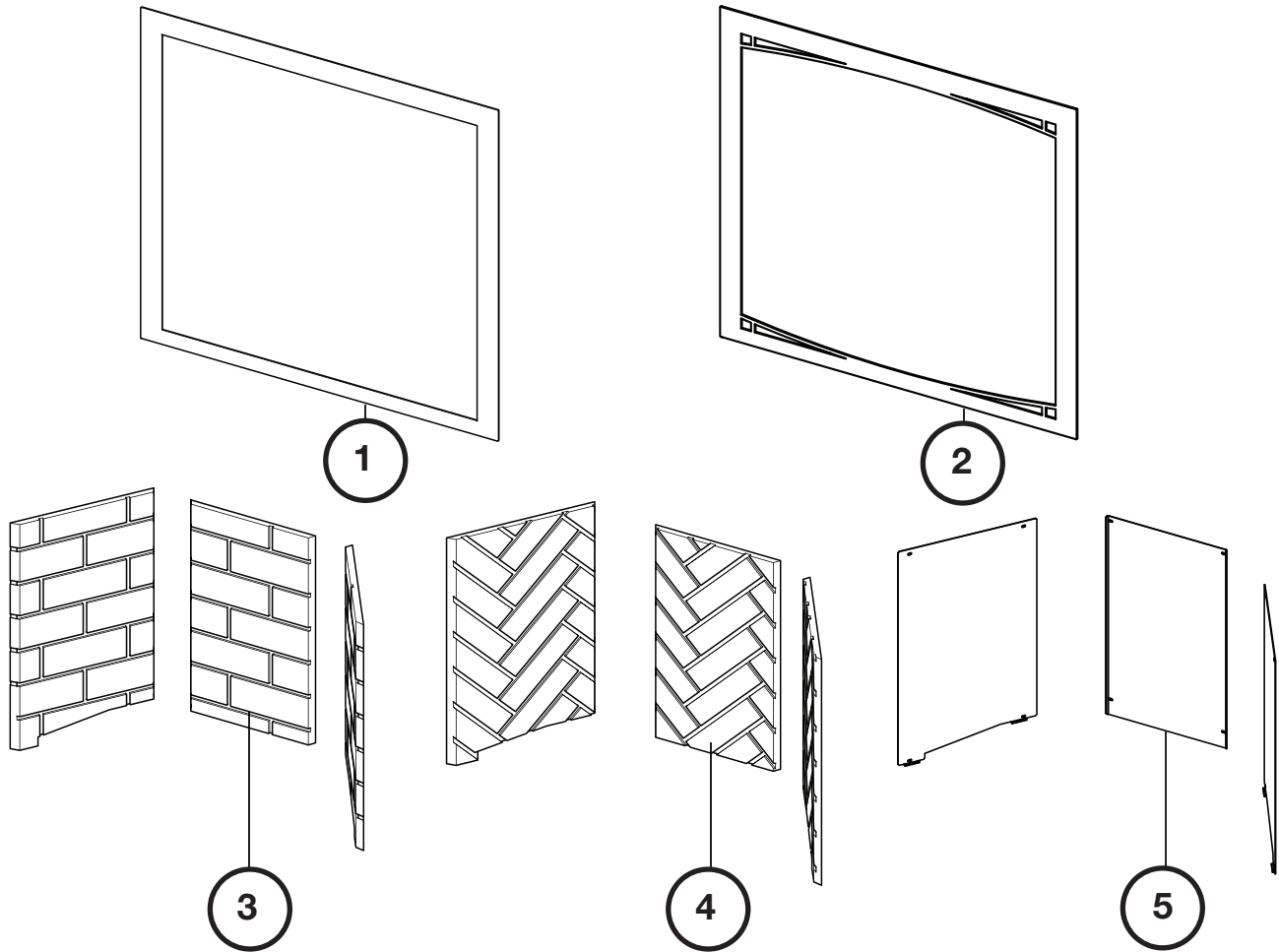
Parts, part numbers, and availability are subject to change without notice.

Parts identified as stocked will be delivered within 2 to 5 business days for most delivery destinations.

Parts not identified as stocked will be delivered within a 2 to 4 week period, for most cases.

Parts identified as 'SO' are special order and can take up to 90 days for delivery.

Consult your installation manual for replacement parts.



Ref.	Part Number	Description	Stocked
1	FTAX36BK/CH/CP/GM	Finishing Trim (Black / Charcoal / Copper / Gunmetal)	
1	FTAX42BK/CH/CP/GM	Finishing Trim (Black / Charcoal / Copper / Gunmetal)	
2	ZAX36BK/CH	Zen Front (Black / Charcoal)	
2	ZAX42BK/CH	Zen Front (Black / Charcoal)	
3	DBPAX36NS/OS/WS	Standard Decorative Brick Panels (Newport / Old Town Red / Westminster)	
3	DBPAX42NS/OS/WS	Standard Decorative Brick Panels (Newport / Old Town Red / Westminster)	
4	DBPAX36WH/OH	Herringbone Decorative Brick Panels (Westminster / Old Town Red)	
4	DBPAX42WH/OH	Herringbone Decorative Brick Panels (Westminster / Old Town Red)	
5	PRPAX36	Porcelain Reflective Panels	
5	PRPAX42	Porcelain Reflective Panels	

*Parts not illustrated

symptom	problem	test solution
Flame is a blue, lazy, transparent flame	Blockage in vent.	- Remove blockage. In really cold conditions, ice buildup may occur on the terminal and should be removed as required.
White / grey film forms on glass.	Sulphur from fuel is being deposited on glass, logs, or surfaces.	- Clean the glass with a recommended gas fireplace glass cleaner. DO NOT CLEAN GLASS WHEN HOT. - If sulphur deposits are not cleaned off regularly, the glass may become permanently marked.
Exhaust fumes smelled in room, headaches.	Appliance may be leaking exhaust fumes into the room.	- Check firebox glass door was properly reinstalled after cleaning - If not rectified, turn off appliance. Contact a qualified technician.
Pilot will not light. Makes noise with no spark at pilot burner.	No signal from remote with no pilot ignition.	- Reprogram receiver code. - Replace battery holder (including switch), if applicable.
Pilot sparks but will not light.	Gas supply.	- Contact a qualified technician.
	Out of propane gas.	- Fill the tank.
	Remote control (if equipped).	- Follow reprogramming instructions for specific remote installed with your appliance. - Replace remote control.
Battery holder (including switch) is in "off" position; burner comes on.	Battery holder (including wall switch) mounted upside down.	- Reverse.
	Battery holder (including switch) and/or wire is grounding.	- Replace. - Check for ground (short); repair ground or replace wire.
	Faulty wire	- Replace.
Remote control and/or battery holder (including switch) is not functioning properly.	Remote control lights but no spark or flame. (Remote is locked out).	- Reset by turning power source off then on.
	Battery holder (including switch) or remote has low battery.	- Replace batteries.
	Error with synchronizing.	- Reset battery holder (including switch) and remote control.
	Remote too far away from battery holder (including switch).	- Refer to "wiring diagram" section in the Installation manual.
Flames are very aggressive.	Door is open.	- Ensure door is secured properly. If not rectified, contact a qualified technician.
Appliance won't perform any functions.	No power to the system.	- Check breaker to verify it's in the "on" position.
	Battery holder (including switch) in wrong position (if equipped).	- Verify that the 3 position switch on the battery holder (including switch) is in the remote position (middle).
	Battery holder, battery holder (including switch) and/or remote control isn't operational.	- Check battery power and battery orientation.

10.0 warranty

Napoleon products are manufactured under the strict Standard of the world recognized ISO 9001 : 2015 Quality Management System.

Napoleon products are designed with superior components and materials assembled by trained craftsmen who take great pride in their work. The burner and valve assembly are leak and test-fired at a quality test station. The complete appliance is again thoroughly inspected by a qualified technician before packaging to ensure that you, the customer, receive the quality product that you expect from Napoleon.

Napoleon Gas Appliance President's Lifetime Limited Warranty

The following materials and workmanship in your new Napoleon gas appliance are warranted against defects for as long as you own the appliance. This covers: combustion chamber, heat exchanger, stainless / steel burner, Phazer™ logs and embers, rocks, ceramic glass (thermal breakage only), gold plated parts against tarnishing, porcelainized enameled components and aluminum extrusion trims.*

Electrical (110V and millivolt) components and wearable parts are covered and Napoleon will provide replacement parts free of charge during the first year of the limited warranty. This covers: blowers, gas valves, thermal switches, switches, wiring, remote controls, ignitors, gaskets and pilot assemblies.*

Labour related to warranty repair is covered free of charge during the first year (labour warranty is not applicable for the Gas Log Sets). Repair work, however, requires the prior approval of an authorized company official. Labour costs to the account of Napoleon are based on a predetermined rate schedule and any repair work must be done through an authorized Napoleon dealer.

* Construction of models vary. Warranty applies only to components included with your specific appliance.

Conditions and Limitations

Napoleon warrants its products against manufacturing defects to the original purchaser only. Registering your warranty is not necessary. Simply provide your proof of purchase along with the model and serial number to make a warranty claim. Napoleon reserves the right to have its representative inspect any product or part thereof prior to honouring any warranty claim. Provided that the purchase was made through an authorized Napoleon dealer your appliance is subject to the following conditions and limitations:

Warranty coverage begins on the date of original installation. This factory warranty is non-transferable and may not be extended whatsoever by any of our representatives. The gas appliance must be installed by a licensed, authorized service technician or contractor qualified and authorized installer, service agency or supplier. Installation must be done in accordance with the installation instructions included with the product and all local and national building and fire codes. This limited warranty does not cover damages caused by misuse, lack of maintenance, accident, alterations, abuse or neglect, and parts installed from other manufacturers will nullify this warranty. This limited warranty further does not cover any scratches, dents, corrosion or discoloring caused by excessive heat, abrasive and chemical cleaners nor chipping on porcelain enamel parts, mechanical breakage of Phazer™ logs and embers. This warranty extends to the repair or replacement of warranted parts which are defective in material or workmanship provided that the product has been operated in accordance with the operation instructions and under normal conditions. After the first year, with respect to this President's Lifetime Limited Warranty, Napoleon may, at its discretion, fully discharge all obligations with respect to this warranty by refunding to the original warranted purchaser the wholesale price of any warranted but defective part(s).

After the first year, Napoleon will not be responsible for installation, labour, or any other expenses related to the reinstallation of a warranted part and such expenses are not covered by this warranty. Notwithstanding any provisions contained in the President's Lifetime Limited Warranty, Napoleon's responsibility under this warranty is defined as above and it shall not in any event extend to any incidental, consequential or indirect damages. This warranty defines the obligations and liability of Napoleon with respect to the Napoleon gas appliance and any other warranties expressed or implied with respect to this product, its components or accessories are excluded. Napoleon neither assumes, nor authorizes any third party to assume, on its behalf, any other liabilities with respect to the sale of this product. Napoleon will not be responsible for: over-firing, downdrafts, spillage caused by environmental conditions such as rooftops, buildings, nearby trees, hills, mountains, inadequate vents or ventilation, excessive venting configurations, insufficient makeup air, or negative air pressures which may or may not be caused by mechanical systems such as exhaust fans, furnaces, clothes dryers, etc. Any damages to the appliance, combustion chamber, heat exchanger, plated trim or other components due to water, weather damage, long periods of dampness, condensation, damaging chemicals or cleaners will not be the responsibility of Napoleon.

During the first 10 years Napoleon will replace or repair the defective parts covered by the lifetime warranty at our discretion free of charge. From 10 years to life, Napoleon will provide replacement parts at 50% of the current retail price. The manufacturer may require that defective parts or products be returned or that digital pictures be provided to support the claim. Returned products are to be shipped prepaid to the manufacturer for investigation. If a product is found to be defective, the manufacturer will repair or replace such defect. Before shipping your appliance or defective components, your dealer must obtain an authorization number. Any merchandise shipped without authorization will be refused and returned to sender. Shipping costs are not covered under this warranty. Additional service fees may apply if you are seeking warranty service from a dealer. Warranty labour allowance is only for the replacement of the warranted part. Travel, diagnostic tests, shipping and other related charges are not covered by this warranty.

All specifications and designed are subject to change without prior notice due to on-going product improvements. Napoleon is a registered trademark of Wolf Steel Ltd.

NAPOLEON CELEBRATING OVER 40 YEARS OF HOME COMFORT PRODUCTS



7200, Route Transcanadienne, Montréal, Québec H4T 1A3
24 Napoleon Road, Barrie, Ontario, Canada L4M 0G8
214 Bayview Drive, Barrie, Ontario, Canada L4N 4Y8
103 Miller Drive, Crittenden, Kentucky, USA 41030

Phone: 1-866-820-8686
napoleon.com



MANUEL DU PROPRIÉTAIRE

Séries Altitude^{MD} X
(AX42 illustré)



CONSIGNES DE SÉCURITÉ Pour l'utilisation intérieure seulement

⚠ AVERTISSEMENT

RISQUE D'INCENDIE OU D'EXPLOSION

Incapacité à suivre ces avertissements exactement peuvent entraîner de grave blessures, des pertes de vie ou des dommages matériels.

- N'entreposez pas et n'utilisez pas d'essence ou autres liquides et vapeurs inflammables à proximité de cet appareil ou tout autre appareil.

- **QUE FAIRE SI VOUS DÉTECTEZ UN ODEUR DE GAZ:**

- N'allumez aucun appareil.
- Ne touchez à aucun téléphone dans votre immeuble.
- Appelez immédiatement votre fournisseur de gaz d'un téléphone dans l'immeuble de votre voisin. Suivez les instructions du fournisseur de gaz.
- Si vous ne pouvez pas rejoindre votre fournisseur de gaz, appelez le service des incendies.

- L'installation et l'entretien doivent être faits par un installateur qualifié, une agence d'entretien ou le fournisseur.



consignes de sécurité

FR

AVERTISSEMENT

- Cet appareil est chaud lorsqu'il fonctionne et peut causer de graves brûlures en cas de contact.
- Toute modification apportée à cet appareil ou aux contrôles peut être dangereuse et est interdite.
- Ne faites pas fonctionner l'appareil avant d'avoir lu et compris les instructions d'opération. Omettre d'utiliser l'appareil selon les instructions d'opération pourrait causer un incendie ou des blessures.
- Risque d'incendie ou d'asphyxie. Ne faites pas fonctionner l'appareil avec la vitre retirée.
- Ne branchez pas la soupape à du courant 110 volts.
- Risque de brûlures. L'appareil doit être éteint et refroidi avant d'effectuer un entretien.
- N'installez pas de composants endommagés ou incomplets ni des composants substitués.
- Risque de coupures et d'éraflures. Portez des gants protecteurs et des lunettes de sécurité lors de l'installation. Les bordures des pièces de métal peuvent être coupantes.
- Les enfants et les adultes devraient être informés des dangers que posent les températures de surface élevées et se tenir à distance afin d'éviter des brûlures ou que leurs vêtements ne s'enflamment.
- Les jeunes enfants doivent être surveillés attentivement lorsqu'ils sont dans la même pièce que l'appareil. Les jeunes enfants et autres personnes à risque sont sujets aux brûlures accidentelles. Une barrière de protection est recommandée si des individus à risque se trouvent dans la maison. Afin de restreindre l'accès à l'appareil, installez une barrière de protection ajustable pour garder les jeunes enfants ou autres personnes à risque hors de la pièce et loin des surfaces chaudes.
- Les vêtements et autres matériaux combustibles ne doivent pas être posés sur l'appareil ou à proximité.
- En raison des températures élevées, l'appareil devrait être placé loin des endroits passants et loin des meubles et des rideaux.
- Assurez-vous de disposer de mesures de sécurité adéquates pour empêcher les jeunes enfants de toucher aux surfaces chaudes.
- Même une fois que l'appareil est éteint, la vitre et/ou le pare-étincelles demeureront chauds pendant un temps prolongé.
- Consultez votre détaillant local de foyer pour connaître les grillages de sécurité et les écrans offerts pour protéger les enfants des surfaces chaudes. Ces grillages de sécurité et ces écrans doivent être fixés au plancher.
- Tout grillage de sécurité, écrans ou barrières enlevés pour faire l'entretien devront être remis en place avant d'utiliser l'appareil.
- Cet appareil est un appareil à gaz ventilé. Ne brûlez pas de bois ou autres matériaux dans cet appareil.
- L'emplacement de l'appareil doit être gardé libre de tous matériaux combustibles, essence ou d'autres liquides et vapeurs inflammables.
- N'utilisez pas cet appareil si une partie quelconque a été submergée. Contactez immédiatement un technicien de service qualifié pour inspecter l'appareil et pour remplacer toute pièce du système de contrôle et du contrôle du gaz qui aurait été submergée.
- Ne pas opérer l'appareil lorsque la porte vitrée est enlevée, fissurée ou brisée. Le remplacement de la vitre devra être effectué par un technicien de service certifié ou qualifié.
- Ne frappez pas et ne claquez pas la porte vitrée de l'appareil.
- Lorsqu'il est équipé avec les portes d'évacuation de pression, les portes doivent demeurer fermées pendant le fonctionnement de l'appareil afin d'empêcher les gaz de combustion contenant du monoxyde de carbone de s'infiltrer dans la maison. La température des gaz de combustion s'échappant par ces ouvertures peut aussi causer les matériaux combustibles avoisinants à surchauffer et à prendre feu.
- Seules les portes/façades certifiées pour cet appareil peuvent être utilisées avec cet appareil.
- Gardez les matériaux d'emballage hors de la portée des enfants et mettez ces matériaux au rebut de façon sécuritaire. Comme tous les emballages de plastique, ces matériaux ne sont pas des jouets et doivent demeurer hors la portée des enfants et des bébés.
- Comme dans le cas de tout appareil à combustion, il est recommandé de faire inspecter et entretenir votre appareil régulièrement. De même, installez un détecteur de monoxyde de carbone dans la pièce pour vous protéger, ainsi que votre famille, contre les intoxications.
- Assurez-vous de respecter les dégagements aux matériaux combustibles lorsque vous installez un manteau ou des tablettes au-dessus de l'appareil. Les températures élevées sur le mur ou de l'air au-dessus de l'appareil peuvent faire fondre, décolorer ou endommager les décorations, les téléviseurs ou autres composants électroniques.
- Une barrière conçue à réduire le risque de brûlures causées par le verre chaud est fournie avec l'appareil et sera installée.
- Si la barrière est endommagée, elle devra être remplacée par la barrière conçue par le fabricant pour cet appareil.
- L'installation et la réparation devraient être effectuées par un technicien qualifié. L'appareil et son système d'évacuation devraient être inspectés avant l'utilisation initiale et au moins une fois l'an par un professionnel qualifié. Un nettoyage plus fréquent peut être requis en raison de la poussière excessive laissée par les moquettes, les couvertures, etc. Il est impératif que les compartiments de contrôle, le brûleur et les passages de circulation d'air soient gardés propres afin de fournir une combustion et une circulation d'air adéquates.

 **AVERTISSEMENT: Ce produit peut vous exposer à des substances chimiques incluant le plomb et les composés de plomb qui, selon l'État de Californie, causeraient le cancer, et des substances chimiques incluant le monoxyde de carbone qui, selon l'État de Californie, causeraient des malformations congénitales ou autres dangers pour la reproduction. Pour de plus amples renseignements, visitez le www.P65Warnings.ca.gov.**

1.0	apprendre à connaître votre appareil	29
1.1	accès aux contrôles	30
1.2	information à propos de la plaque d'homologation	30
2.0	faite fonctionner votre appareil	31
2.1	première installation de la télécommande / bloc-piles	31
2.2	utilisation de votre appareil	31
3.0	disposition de la télécommande	32
3.1	dessin générale de la télécommande	32
3.2	affichage de température	32
3.3	hauteur de la flamme	33
3.4	vitesse du ventilateur	33
3.5	veilleuse gradateur accès aux contrôles	33
3.6	en cas de panne de courant	33
3.7	la sélection pilote continu / pilote intermittente (CPI / IPI)	33
3.8	l'application Contrôleur eFIRE	34
3.9	piles faible	34
3.10	installation du boîtier à piles / piles de secours	34
4.0	opération	35
4.1	veilleuse sur demande	36
5.0	dégagements autour de l'appareil	37
5.1	système de gestion thermique (AXHM)	38
5.2	dégagements autour de l'appareil (téléviseur et des objets précieux)	39
6.0	entretien	40
6.1	soins de la vitre	40
6.2	soins des pièces plaquées	41
6.3	enlèvement / installation de la barrière de protection	41
6.4	enlèvement / installation de la porte vitrée	42
6.5	installation de la moulure supérieure et inférieure	42
7.0	pièces de rechange	43
8.0	accessoires	44
9.0	guide de dépannage	45
10.0	garantie	46
11.0	historique d'entretien	47

Avant de lire ce manuel, assurez-vous de que savoir quel modèle vous avez. Ces informations vont ont été remplies sur la page suivant et sur la plaque signalétique qui est fixée en permanence à l'appareil (voir la section « apprendre à connaître votre appareil »).

Ce manuel s'adresse au

- **Séries Altitude X** (modèles **AX36** et **AX42**)

Si nécessaire, plus d'information technical est inclus dans le manuel d'installation de votre appareil.

L'information tout au long de ce manuel est censée être correctes au moment de l'impression. Wolf Steel Ltée. se réserve le droit de changer ou modifier toute information dans ce manuel à tout moment sans préavis.

Visitez le site web de Napoléon pour la version le plus récent de votre manuel.

Les changements, autres que de nature éditoriale, sont dénoté par une ligne verticale dans la marge.

Cet appareil est approprié pour utilisation avec le système gestion thermique Altitude^{MD} X. CET MANUEL **N'INCLUS PAS** information détaillées concernant ce système. L'encadrement et finition **NE SONT PAS** la même. Pour plus d'information, consultez les instructions fournis avec le kit AXHM avant de commencer l'installation.



Les piles doivent être mises au rebut conformément aux lois et à la réglementation locales. Certaines piles peuvent être recyclées et acceptées dans votre centre de recyclage local. Renseignez-vous auprès de votre municipalité au sujet des directives de recyclage.

bienvenue félicitations!

FR

Napoléon tient fièrement à votre confort domestique. Nous sommes fiers de dire que nos produits continuellement surpassent les normes de l'industrie et notre source d'inspiration c'est vous! Plus que tout, nous voulons vous faire sentir confiant dans le choix de Napoléon pour votre maison. Nos produits sont conçus pour fournir cette confiance et s'assurer que chaque produit de Napoléon est incomparable.

Les produits Napoléon sont conçus avec des composants et des matériaux de qualité supérieure, assemblés par des artisans qualifié qui sont fiers de leur travail.

Une barrière conçu à réduire le risque de brûlures à partir de la vitre chaud est à condition que avec l'appareil et **doit être installés.**

Votre appareil de Napoléon a été soigneusement inspecté par un technicien qualifié avant d'être emballé pour garantir que vous, le client, recevez le produit de qualité dont vous vous attendez de Napoléon.

Détaillant: Renseignez votre information (ou carte de visite) et l'information de l'installation de l'appareil ci-dessous.

Information du Détaillant

Nom du détaillant: _____

Location du détaillant: _____

Téléphone du détaillant: _____

E-mail du détaillant: _____

Client: _____

Adresse du Client: _____

Date d'Installation: _____

Location de l'appareil: _____

Installateur: _____

**Détaillant: Location du Carte de
Visite**

N° de série: _____

Modèle:

Gaz Naturel: AX36NTE
 AX42NTE

Propane: AX36PTE
 AX42PTE

Ensemble du Système Gestion Thermique Altitude^{MD} X installer (Optionnel)

1.0 apprendre à connaître votre appareil

FR

La zone située au-dessus de l'ouverture de la cheminée incluant la barrière de protection, le cadre de la barrière et la surface du mur peuvent devenir très chauds durant l'opération et ne pas être touchés tant que l'appareil est éteint est complètement refroidi.

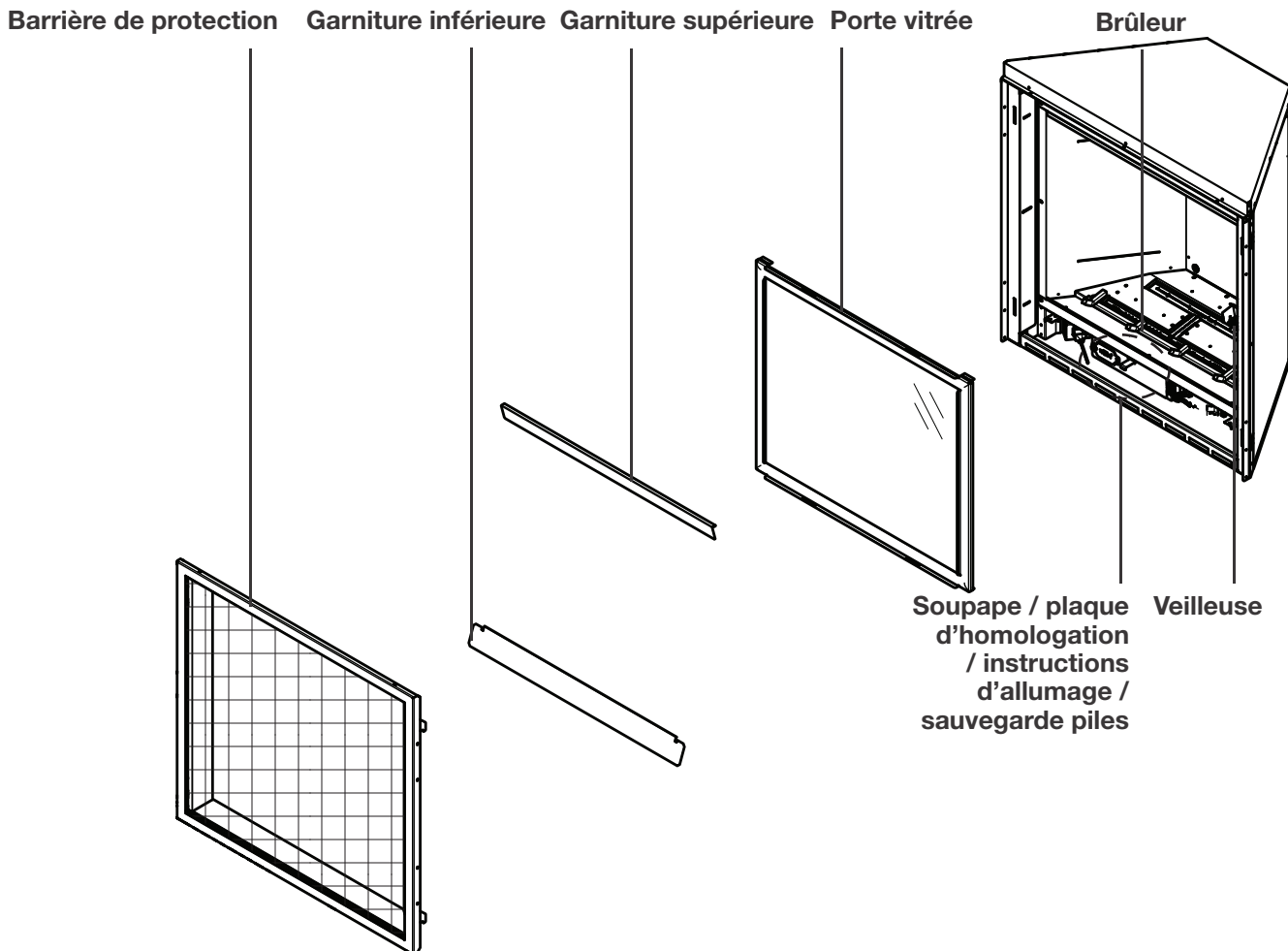
! AVERTISSEMENT

LA VITRE CHAUDE CAUSERA DES BRÛLURES.

NE PAS TOUCHER LA VITRE AVANT QU'ELLE AIT REFROIDI.

NE JAMAIS LAISSER LES ENFANTS TOUCHER LA VITRE.

Une barrière conçue à réduire le risque de brûlures causées par le verre chaud est fournie avec l'appareil et sera installée pour la protection des enfants et d'autres personnes à risque.



note:

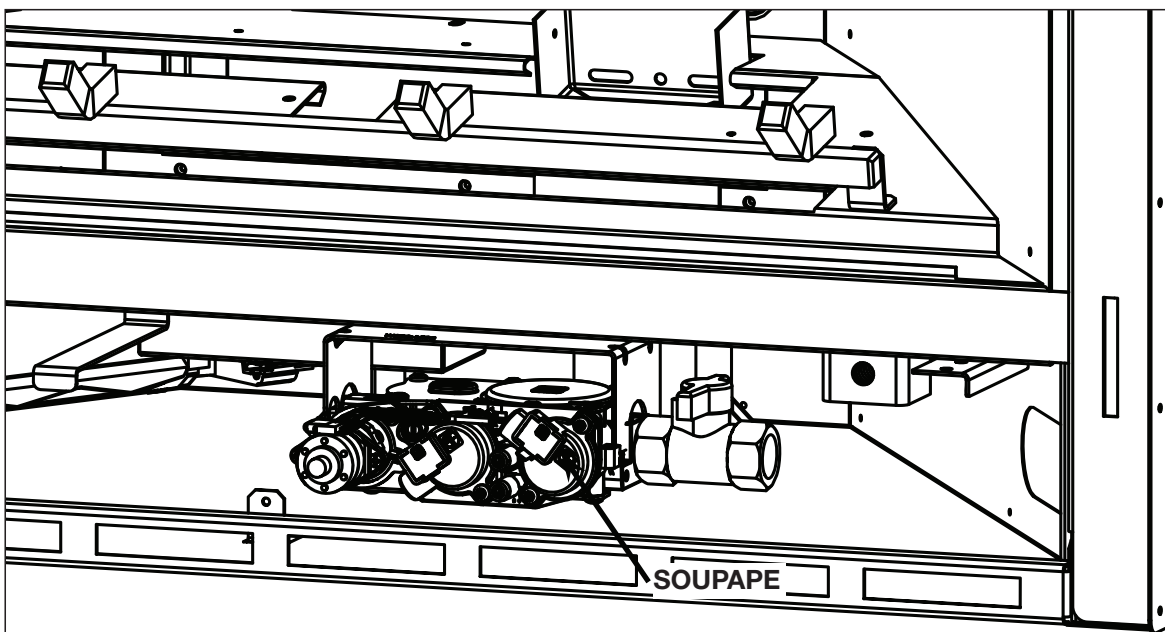
Quelques caractéristiques et locations peuvent varier dépendant de votre appareil.

apprendre à connaître votre appareil

FR

1.1 accès aux contrôles

L'accès aux contrôles peut être fait par enlever la barrière de protection, la porte vitrée et les garnitures de la porte (voir la section « entretien » pour les instructions d'enlèvement pour ses composants).



1.2 information à propos de la plaque d'homologation

Cette illustration est fournie à titre de référence seulement. Pour les renseignements exacts, consultez la plaque d'homologation fixée sur l'appareil.

Certified to Canadian and American National Standards: **CSA 2.22-XXXX / ANSI Z21.50-XXXX for Vented Decorative Gas Appliances**
 Certifié selon les normes Nationales Canadiennes et Américaines: **CSA 2.22-XXXX / ANSI Z21.50-XXXX pour les Appareils à gaz décoratif à évacuation**
 Direct vent, vented gas fireplaces. Approved for bedroom, bathroom and bed-sitting room installation. Suitable for mobile home installation, if installed in accordance with the current standard CAN / CSA Z240MH Series gas equipped mobile homes in Canada, or, in the United States, the *Manufactured Home Construction and Safety Standard, Title 24 CFR, Part 3280*. When this US Standard is not applicable, use the *Standard for Fire Safety Criteria for Manufactured Home Installations, Sites and Communities, ANSI/NFPA 501A*. This appliance must be installed in accordance with local codes, if any; if none, follow the current ANSI Z223.1 or CSA B149. **For use with barrier WXXX-XXXX. Follow installation instructions.**
 Foyer à gaz ventilé. Homologué pour installation dans une chambre à coucher, une salle de bain et un studio. Approuvé pour installation dans une maison mobile si son installation conforme aux exigences de la norme CAN / CSA Z240MH Série de maisons mobile équipées au gaz en vigueur au Canada, ou, aux États-Unis selon la norme *24 CFR, Part 3280, Manufactured Home Construction and Safety Standard*. Dans le cas où cette norme d'États-Unis n'est pas pertinente, utiliser la norme *NFPA 501A, Fire Safety Criteria for Manufactured Home Installations, Sites and Communities*. Installer l'appareil selon les codes ou règlements locaux ou, en l'absence de tels règlements, selon les codes d'installation ANSI Z223.1 ou CSA B149 en vigueur. **Utiliser uniquement avec l'écran WXXX-XXXX. Suivre les instructions d'installation.**

9700539 (WSL) 4001658 (NAC) 4001657 (NGZ) 4001659 (WUSA)

MODEL / MODÈLE

XXXX XXXX XXXX XXXX
 XXXX XXXX XXXX XXXX

Altitude XXXX Élévation XXXX
 Input XX,XXX Alimentation XX,XXX
 Reduced Input XX,XXX Alimentation Réduite XX,XXX
 P4 XX.X% P4 XX.X%

Manifold Pressure: 3.5" w.c. (NG) **Manifold Pressure:** 10" w.c. (P)
Minimum Supply Pressure: 4.5" w.c. (NG) **Minimum Supply Pressure:** 11" w.c. (P)
Maximum Supply Pressure: 7" w.c. (NG) **Maximum Supply Pressure:** 13" w.c. (P)
Pression au Collecteur: 3.5" d'une colonne d'eau (GN) **Pression au Collecteur:** 10" d'une colonne d'eau (P)
Pression d'Alimentation Min.: 4.5" d'une colonne d'eau (GN) **Pression d'Alimentation Min.:** 11" d'une colonne d'eau (P)
Pression d'Alimentation Max.: 7" d'une colonne d'eau (GN) **Pression d'Alimentation Max.:** 13" d'une colonne d'eau (P)
 ** Maximum inlet pressure not to exceed 13". ** Pression d'alimentation maximale ne devait pas dépasser 13".

Minimum clearance to combustible materials:
 Top, sides & back: per standoff spacers for framing and finishing materials. For non-combustible framing and finishing materials, see installation manual.
 Top X" Dessus X"
 Floor X" Plancher X"
 Sides X" Côtés X"
 Back X" Arrière X"
 Vent top X" Dessus du conduit d'évent X"
 Vent sides & bottom X" Côtés et dessous du conduit d'évent X"
 Recessed depth X" Profondeur d'encastré une face X"
 *** Mantel X" from appliance opening *** Tablette X" de l'ouverture de l'appareil
 *** Maximum horizontal extension: *** L'extension horizontale maximale: X"
 X". See installation manual for Référez au manuel d'installation pour des
 greater extensions, minimum vent extensions plus grandes, les longueurs
 lengths and maximum vent lengths. d'évacuation minimaux et maximum.
 Electrical rating: 115V, 60Hz. Less than 12 amperes. Spécifications électriques: 115V, 60Hz. Moins de 12 ampères.

WOLF STEEL LTD. 24 Napoleon Road, Barrie, ON, L4M 0G8 Canada

REFERENCE# 161746

VENTED DECORATIVE GAS APPLIANCE: NOT A SOURCE OF HEAT, NOT INTENDED FOR USE AS A HEATING APPLIANCE, NOT FOR USE WITH SOLID FUEL.
APPAREIL À GAZ DÉCORATIF À ÉVACUATION: N'EST PAS UNE SOURCE DE CHALEUR; N'EST PAS DESTINÉ À ÊTRE UTILISÉ COMME UN APPAREIL DE CHAUFFAGE; NE CONVIENT PAS AUX COMBUSTIBLES SOLIDES.

FOR USE WITH GLASS DOORS CERTIFIED WITH THIS APPLIANCE ONLY. POUR UTILISATION UNIQUEMENT AVEC LES PORTES EN VERRE CERTIFIÉES AVEC L'APPAREIL.

For natural gas when equipped with No. XX drill size orifice.
 For propane when equipped with No. XX drill size orifice.
 Convient au gaz naturel quand l'appareil est muni d'un injecteur de diamètre no. XX.
 Convient au propane quand l'appareil est muni d'un injecteur de diamètre no. XX.

WARNING: Do not add any material to the appliance which will come in contact with the flames, other than that supplied by the manufacturer with the appliance.
AVERTISSEMENT: N'ajoutez pas à cet appareil aucun matériau devant entretenir contact avec les flammes autre que celui qui est fourni avec cet appareil par le fabricant.
 The appliance must be vented using the appropriate Napoleon vent kits. See installation manual for venting specifications. Proper reinstallation and resealing is necessary after servicing the vent-air intake system.
 L'appareil doit être ventilé à l'aide de l'ensemble d'évacuation propre à Napoleon. Référez au manuel d'installation pour les spécifications d'évacuation. Il est nécessaire de bien réinstaller et resceller l'évacuation après avoir exécuté l'entretien du système de prise d'air.

Serial Number / N° de Série: XXXX

W385-XXXX

note:

La plaque d'homologation doit rester avec l'appareil à tout instant. Elle ne doit pas être enlevée.

2.1 première installation de la télécommande / bloc-piles

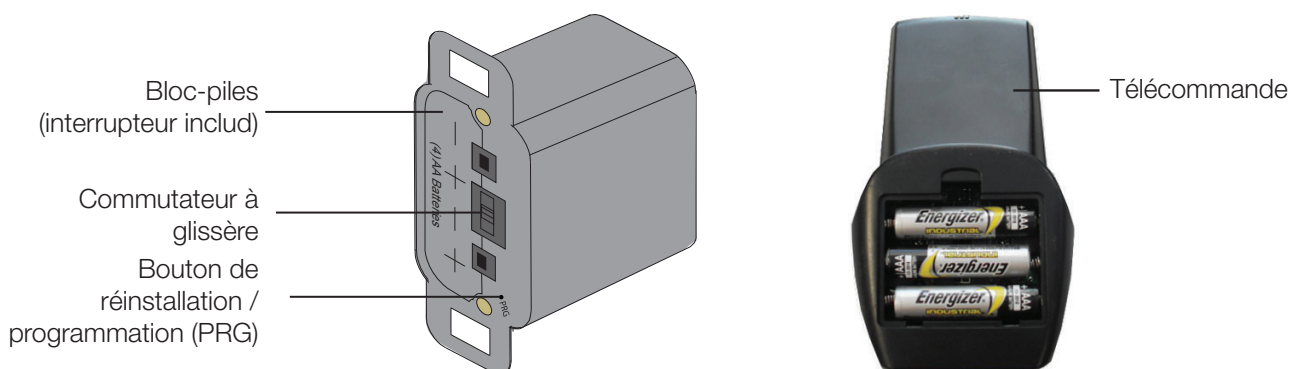
! AVERTISSEMENT

- Assurez-vous que l'alimentation électrique et le gaz à l'appareil est éteint.
- Assurez-vous que l'appareil est complètement refroidi avant de commencer service.

- A. Installer les 4 piles AA dans le bloc-piles du Proflame 2, notez la polarité puis insérez-les comme indiqué sur le couvercle (+/-).
- B. Assurez-vous que le commutateur à glissière est placé à la position REMOTE (position centrale).
- C. Appuyez sur le bouton réinitialisation / programmation, utilisez un objet de petite taille comme un trombone afin d'atteindre le bouton identifié PRG tel qu'illustré ci-dessous.
- D. Le bloc-piles émettra 3 BIPS pour indiquer qu'il est prêt à être synchronisé avec la télécommande.
- E. Installez les 3 piles AAA dans la télécommande comme illustré ci-dessous, puis appuyez sur la touche ON. Le bloc-piles émettra 4 BIPS pour indiquer que le signal de la télécommande est accepté.

note:

La process d'initialisation doit être rempli dans les 10 secondes après avoir appuyé sur le touche bouton de réinitialisation (PRG).



2.2 utilisation de votre appareil

Lorsque vous utilisez votre appareil pour la première fois, il y a un rodage processus requis qui guérit les matériaux utilisés pour la fabrication de la cheminée qui peut émettre une odeur inhabituelle. Ces vapeurs sont normales lorsque vous utilisez un nouvel appareil pour la première fois. Assurer la circulation d'air suffisante est prévue au cours de la procédure de gravure.

Pour allumer l'appareil :

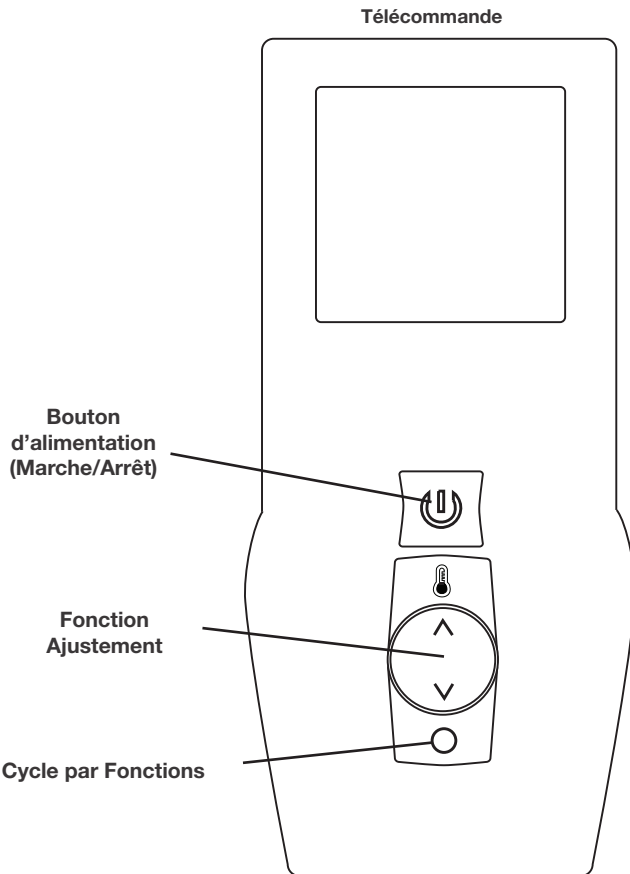
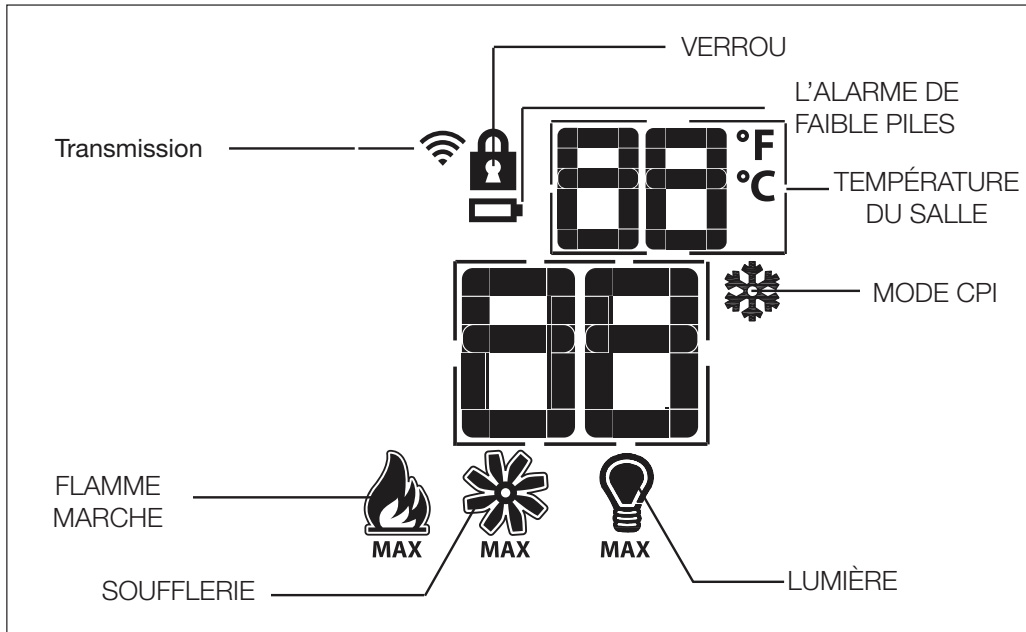
- A Allumez l'interrupteur marche/arrêt.
- B Après 3 à 5 secondes, le contrôle va commencer une étincelle à la veilleuse, allumer le pilote, puis le brûleur. La période d'allumage sera 60 dernières secondes, ou jusqu'à ce que le pilote a allumé.
- C Lorsqu'il est utilisé pour la première fois, si le processus de rodage n'était pas rempli par l'installateur faites fonctionner les appareil en permanence pendant minimum 4 heures (burn-in).
- D Mettez l'appareil hors tension. Attendez que l'appareil est complètement refroidi avant de passer à l'étape suivante.
- E Enlevez la barrière de protection, les garnitures de porte et la porte vitrée. Nettoyez la porte vitrée (voir la section « entretien »). Remplacez la porte vitrée, les garnitures de porte et de la barrière de protection.

Pour plus d'informations, consultez votre manuel d'installation ou de contactez votre revendeur agréé.

3.0 disposition de la télécommande

FR

3.1 dessin générale de la télécommande



note:

Installez les 3 piles « AAA » dans la télécommande, tel qu'illustré, puis appuyez sur la touche « ON ». Le bloc-piles émettra 4 bips pour indiquer que le signal de la télécommande est accepté.



3.2 affichage de température

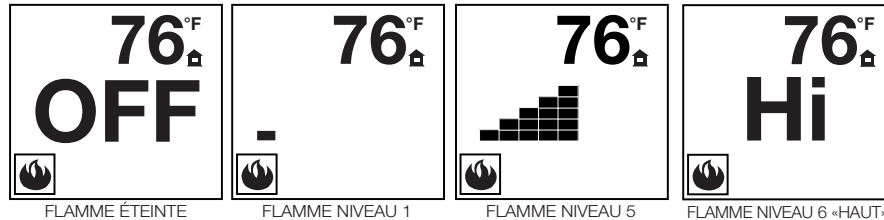
- Avec le système en position « off », appuyez simultanément sur les touches « **temperature** » et « **mode** » pour passer de l'affichage de la température en F à C.
- Vérifiez l'afficheur ACL de la télécommande pour vous assurer que le C ou le F est visible à la droite de l'affichage de la température de la pièce.



3.3 hauteur de la flamme

La télécommande comporte six (6) niveaux de flammes. Avec le système en marche et le niveau de la flamme au maximum, appuyez une fois sur la **touche bas** et cela réduira la hauteur de la flamme d'un niveau jusqu'à ce que la flamme soit éteinte

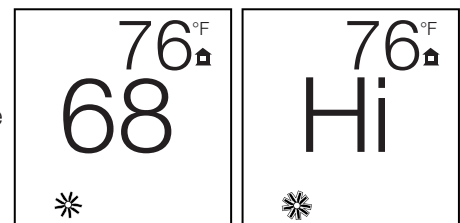
La **touche haut** augmentera la hauteur de la flamme chaque fois qu'elle est enfoncée. Si la **touche haut** est enfoncée lorsque le système est en marche, mais que la flamme est éteinte, la flamme s'allumera en position élevée. Un seul « bip » confirmera la réception de la commande.



3.4 vitesse du ventilateur

Si l'appareil est muni d'une soufflerie, la vitesse de celle-ci peut être contrôlée par le système de télécommande. La soufflerie compte six (6) vitesses.

- Utilisez la touche « **mode** » pour vous guider vers l'icône de contrôle de la soufflerie.
- Utilisez la touche **haut/bas** pour mettre la soufflerie en marche ou l'arrêter, ou pour régler sa vitesse. Un seul « bip » confirmera la réception de la commande.



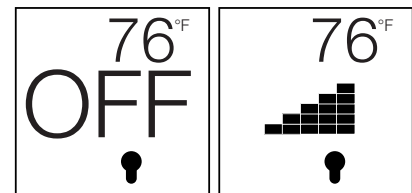
note:

Quand la vitesse désirée de la soufflerie est choisie, la soufflerie allumera automatiquement 5 minutes après le brûleur principal ont été allumées et restent sur douze minutes après lui a été éteint.

3.5 veilleuse gradateur accès aux contrôles

La fonction auxiliaire contrôle la veilleuse avec le contrôle dimmable.

- Utiliser la touche « **mode** » pour vous diriger à l'icône de la veilleuse.
- L'intensité de la production peut être ajustée par 6 niveaux. Utiliser les contrôles « **haut/bas** » pour ajuster le niveau de puissance. Un seul « bip » confirmera la réception de l'ordre.

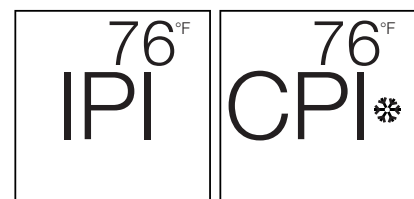


3.6 en cas de panne de courant

Si la réception est muni de piles, celles-ci permettront au contrôle de la hauteur de la flamme, au bouton « **on/off** » ou au thermostat de contrôler l'appareil, lorsque vous survient une panne électrique. Fonctionnement de la soufflerie et des lumières de veilles n'est pas possible. Référez-vous à la section « **appliance operation** » lorsque les communications entre le récepteur et la télécommande sont rompues. La réception émettra un « bip » pour confirmer la réussite de la programmation une fois que le courant est rétabli. Si l'appareil était en marche au moment de la panne de courant, la hauteur de la flamme conservera son réglage. Si l'appareil était éteint au moment de la panne, mais qu'il est allumé par la suite, la hauteur de la flamme sera à « **Hi** ». La hauteur de la flamme peut alors être ajustée par la télécommande.

3.7 la sélection pilote continu / pilote intermittente (CPI / IPI)

- Avec la télécommande à la position « **on** » Utiliser le clé de mode pour vous diriger à l'icône de mode de CPI.
- Utiliser les contrôles **en haut/en bas** pour changer de mode IPI à CPI. Un seul bip confirmera la réception de l'ordre.



note:

Si votre appareil est équipé avec un CPI/IPI* interrupteur à bascule, régler le CPI/IPI à la position de CPI pour rendre capable l'opération du CPI. Si l'interrupteur est placé à IPI, il fonctionnera seulement en IPI indépendamment du réglage sur la télécommande.

* Certains juridictions peuvent interdire avec l'utilisation d'une veilleuse permanente. Dans ces juridictions, l'interrupteur anti-condensation seront débranché pour conformer aux codes locaux.

disposition de la télécommande

FR

3.8 l'application Contrôleur eFIRE

L'application contrôleur eFIRE de Napoléon va révolutionner la façon dont vous utilisez votre cheminée. Nous avons déchiffré le code et vous présente les premières cheminées contrôlées par le technologie Bluetooth™, en utilisant une application intuitive sur votre appareil.

Lorsqu'il est entièrement équipé (si applicable), l'application contrôleur eFIRE vous permet de créer toutes les couleurs imaginables, choisir celui qui correspond à votre état d'esprit actuel, ou votre décor en toute simplicité, l'outil roue couleur simplement défile rapidement le spectre de couleur. L'application contrôleur eFIRE de Napoléon contrôle toutes les fonctions de votre foyer, y compris: marche/arrêt, l'hauteur de la flamme et la vitesse du ventilateur, fonction de lumière, and la soufflerie.

En suivant les instructions sur le site web <http://napoleonfoyers.com/efire>, installez l'application et appréciez les fonctionnalités de l'app eFIRE.*

*Visitez le site web ou contactez votre détaillant autorisé pour information spécifique à votre appareil concernant les caractéristiques et les produits disponible avec l'application contrôleur eFIRE.

note:

La télécommande est considéré comme la régie centrale de l'appareil et peut toujours être utilisée pour éteindre l'appareil (par exemple, dans le cas où l'utilisateur qui a dfeu contrôleur app était contrôler l'appareil quitte la maison).

3.9 piles faible

La durée de vie des piles peut dépendre de plusieurs facteurs: la qualité des piles, le nombre d'allumages, le nombre de changements de réglage du thermostat de la télécommande, etc.

Lorsque les piles de la télécommande sont faibles, l'icône de pile apparaîtra sur l'afficheur ACL avant que les piles soient complètement déchargées. Une fois que les piles sont remplacées, cette icône disparaîtra.

Lorsque les piles du récepteur sont faibles, celui-ci n'émettra pas de « bip » lorsqu'il recevra une commande « **marche/arrêt** ». Ceci est pour vous signaler que les piles du récepteur sont faibles. Lorsque les piles sont remplacées, le récepteur émettra un « bip » lorsque la touche **marche/arrêt** est appuyée.

Si les piles dans le bloc-piles ou dans la télécommande sont faibles, vous pouvez allumer l'appareil manuellement en glissant le commutateur à glissière du bloc-piles à la position « **on** ». Ceci contournera la fonction de la télécommande, et le brûleur principal de l'appareil s'allumera si la soupape de gaz est à la position « **on** ».

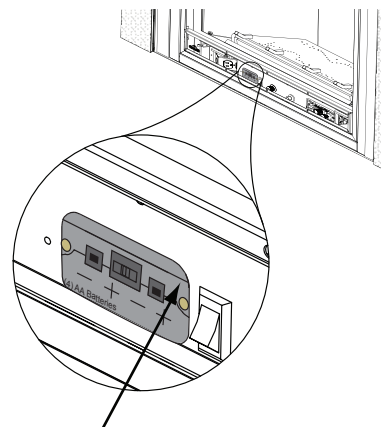


3.10 installation du boîtier à piles / piles de secours

- Le boîtier à piles se trouve dans le compartiment de la soupape, auquel il est possible d'accéder pour configurer le récepteur.
- Installez 4 piles AA (non fourni) dans le bloc-piles du boîtier fourni, notez la polarité des piles puis insérez-les comme indiqué sur le couvercle (+/-).
- Dans le cas d'une panne de courant, le commutateur coulissant à 3 positions doit être dans la position « ON » (à gauche).

note:

Assurez-vous que le commutateur coulissant à 3 positions se trouve en position « REMOTE » (au milieu).



BOUTON DE RÉINITIALISATION (PROGR.)

! AVERTISSEMENT

- Si ces instructions ne sont pas suivies à la lettre, un incendie ou une explosion pourraient s'ensuivre, causant des dommages matériels, des blessures corporelles ou des pertes de vie.
- Si applicable, allumez toujours la veilleuse, que ce soit pour la première fois ou lorsque l'approvisionnement en gaz est épuisé, avec la porte vitrée ouverte ou retirée.

Assurez-vous que l'arrivée de gaz au brûleur est continue avant d'installer la porte. Lorsqu'il est allumé pour la première fois, l'appareil dégagera une légère odeur pendant quelques heures. Cela est une condition normale temporaire causée par le conditionnement des bûches et l'évaporation des peintures et lubrifiants internes utilisés dans le processus de fabrication; elle ne se reproduira plus. Après de longues périodes sans utiliser l'appareil, comme à la suite de vacances ou à la fin de l'été, il se peut qu'une légère odeur se dégage pendant quelques heures. Ceci est causé par des particules de poussière brûlant dans l'échangeur de chaleur. Dans les deux cas, ouvrez une fenêtre pour aérer la pièce.

POUR VOTRE SÉCURITÉ, LISTEZ CE QUI SUIT AVANT D'ALLUMER L'APPAREIL:

- Ne pas allumer si des enfants ou d'autres individus à risque sont à proximité de la veilleuse.
- Cet appareil est équipé d'un dispositif d'allumage qui allume automatiquement la veilleuse. N'essayez pas de l'allumer manuellement.
- Avant d'allumer, sentez autour de l'appareil et près du plancher afin de vous assurer qu'il n'y a pas de fuite de gaz. Certains gaz sont plus lourds que l'air et se déposeront au niveau du plancher.
- N'utilisez pas cet appareil si une partie quelconque a été submergée. Contactez immédiatement un technicien qualifié pour l'inspecter et pour remplacer toute pièce du système de contrôle et du contrôle du gaz qui aurait été submergée.

QUE FAIRE SI VOUS DÉTECTEZ UNE ODEUR DE GAZ

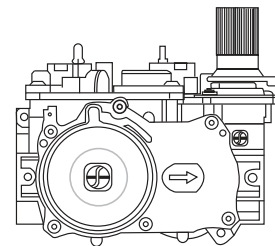
- Coupez l'alimentation en gaz à l'appareil.
- Ouvrez les fenêtres.
- N'allumez aucun appareil.
- Ne touchez à aucun interrupteur électrique; n'utilisez aucun téléphone dans votre immeuble.
- De la maison d'un voisin, appelez immédiatement votre fournisseur de gaz et suivez ses instructions.
- Si vous ne pouvez pas rejoindre votre fournisseur de gaz, appelez le service des incendies.

INSTRUCTIONS D'ALLUMAGE

note:

Cet appareil est équipé d'un dispositif d'allumage qui s'allume automatiquement la veilleuse. N'essayez pas de l'allumer manuellement.

- Arrêtez! Lisez les consignes de sécurité ci-dessus.
- Enlevez tous les piles de la télécommande et régler le thermostat au réglage minimum, si équipé.
- Coupez l'alimentation électrique à l'appareil.
- Ouvrir la porte de l'appareil, si équipé.
- Tournez le bouton de contrôle du gaz vers la droite à « OFF ». (Elle est situé sur le connecteur flexible).
- Attendez cinq (5) minutes pour que le gaz puisse s'échapper. Si vous détectez une odeur de gaz, incluant au niveau du plancher, **ARRÊTEZ!** et suivez les instructions ci-dessus « QUE FAIRE SI VOUS DÉTECTEZ UNE ODEUR DE GAZ ». Continuez à l'étape suivante si vous ne sentez pas de gaz.
- Tournez le soupape fermeture manuelle vers la gauche à « ON ».
- Rétablissez l'alimentation électrique à l'appareil et installez les piles dans le télécommande, si équipé. Régler le thermostat à la position désirée, si équipé.
- Tournez l'interrupteur murale de l'appareil à la position « ON ».
- Si l'appareil ne fonctionne pas, suivre les instructions de « couper l'alimentation de gaz » et puis appelez votre technicien de service ou fournisseur de gaz.



COUPEZ L'ALIMENTATION DE GAZ

- Régler le thermostat à la réglage le plus bas, si équipé.
- Tournez l'interrupteur murale de l'appareil à la position « OFF ».
- Coupez l'alimentation électrique à l'appareil si un travail d'entretien doit être faites.
- Tournez le soupape fermeture manuelle vers la gauche « OFF ». Ne forcez pas.

opération

FR

4.1 veilleuse sur demande

Cet appareil est équipé d'un système de veilleuse à allumage intermittent (IPI) « Sur demande » qui comprend également un mode de veilleuse permanente (CPI) avec une minuterie intégrée de sept jours. Ce système minimise l'empreinte carbone de votre appareil et réduit sa consommation annuelle de combustible ainsi que son coût de fonctionnement.

En mode intermittent (IPI), la veilleuse s'allume avant le brûleur principal, lorsque l'appareil est allumé à l'aide d'un interrupteur, d'une télécommande ou d'un appel de chaleur par le thermostat (s'il y a lieu). Une fois l'appareil éteint (ou l'appel de chaleur satisfait), le brûleur principal et la veilleuse s'éteignent.

Le mode continu (CPI) est destiné à améliorer les performances de l'appareil pendant la phase d'allumage dans des climats plus froids et par temps extrême en maintenant le système au chaud lorsque le brûleur principal n'est pas allumé. Cependant, la fonction de minuterie permet d'éteindre automatiquement la veilleuse lorsque l'appareil n'est pas utilisé pendant sept jours afin de réduire la consommation de combustible.

Lorsque le mode continu (CPI) est activé, la veilleuse reste allumée après que le brûleur principal soit éteint. Une minuterie commencera alors le décompte pendant environ sept jours avant d'éteindre la veilleuse si l'appareil n'est pas utilisé. Ce décompte se réinitialisera chaque fois que le brûleur principal de l'appareil sera allumé. Par conséquent, si l'appareil est utilisé régulièrement sur une base journalière, la veilleuse restera allumée. Ce système ne requiert donc pas que l'utilisateur se souvienne d'éteindre la veilleuse à l'approche de l'été, évitant de consommer inutilement du combustible tout en demeurant prêt à être rallumé lorsque le temps froid est de retour.



Votre appareil peut être équipé d'un interrupteur anticondensation ACS ou d'une télécommande qui vous permet de sélectionner les modes IPI ou CPI.

Si votre appareil est équipé d'un interrupteur ACS, il offre la possibilité de changer de mode. Si l'interrupteur est installé avec le fil bleu orienté vers le haut, basculer l'interrupteur vers le HAUT activera la veilleuse permanente avec la minuterie tandis que basculer l'interrupteur vers le BAS activera le mode d'allumage intermittent de la veilleuse. Si l'interrupteur est installé avec le fil blanc orienté vers le haut, c'est l'inverse qui se produit.

Si votre appareil est pourvu d'une télécommande qui vous permet de sélectionner les modes IPI ou CPI, reportez-vous aux instructions de fonctionnement de la télécommande.

Pour démarrer la veilleuse, en allumant le brûleur principal à l'aide de l'interrupteur, de la télécommande ou du thermostat, et ensuite en l'éteignant, réactivera le mode veilleuse permanente et réinitialisera la minuterie de sept jours.

Pour plus d'informations, consultez le site www.napoleon.com/pilotondemand.

5.0 dégagements autour de l'appareil

FR

! AVERTISSEMENT

- Votre appareil, raccordement gaz/électrique, ventilation et divers composants clés sont cachés derrière le mur. Il est essentiel qu'aucune vis pénètrent ces composants. Non-respect des instructions peut provoquer un fonctionnement incorrect, dommages, blessures ou feu. Utilisez toujours un localisateur de montants et seulement visser dans les montants.

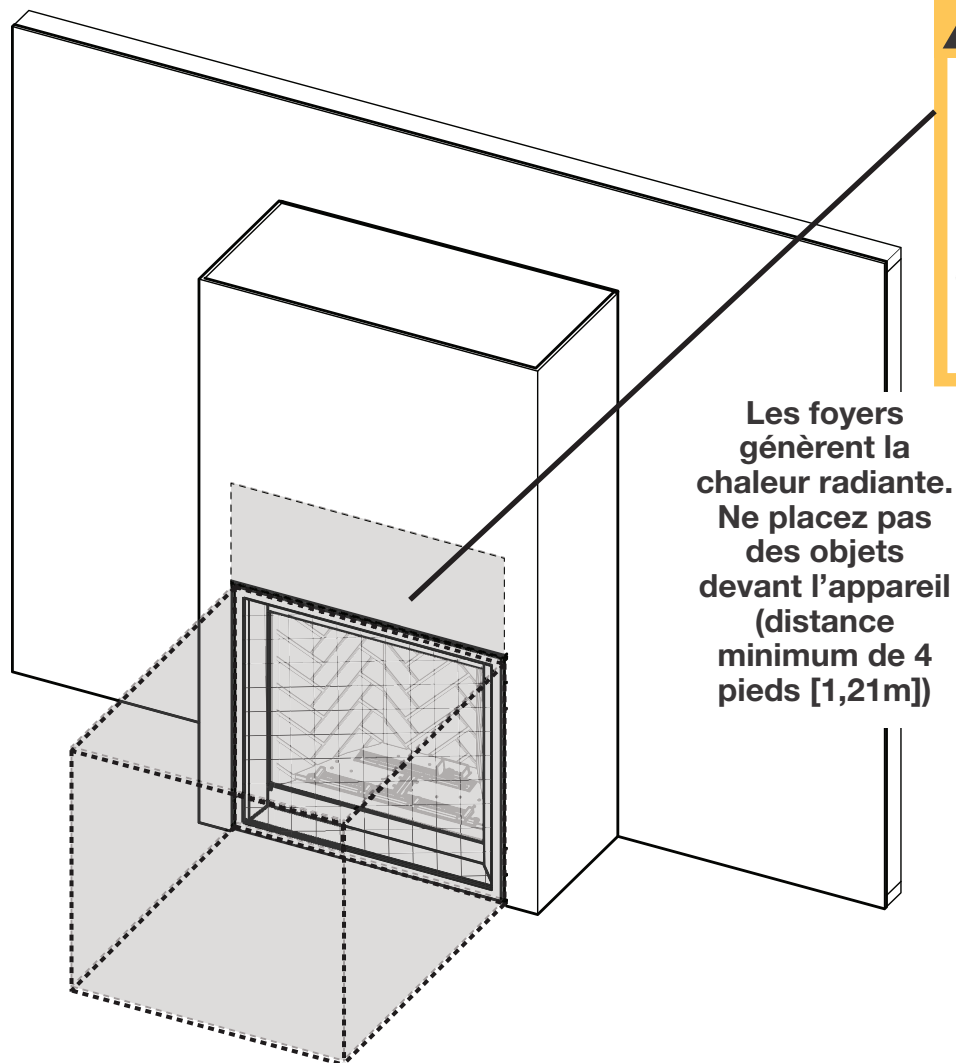
Sans prendre les dispositions adéquates pour tenir compte de la chaleur, les températures au-dessus de la cheminée sera chauds, rendant impropres pour le montage d'un téléviseur ou autres objets sensibles à la chaleur sans risques de dommages.

Installation d'un manteau de cheminée entre cet appareil et électronique ou d'autres matériaux qui peut-être être sensibles à la chaleur réduira l'effet de la chaleur directe sur eux.

La taille et le matériel du manteau affecteront le jeu autorisé au-dessus de votre cheminée et un positionnement incorrect pourrait devenir un risque d'incendie. Consultez votre revendeur d'autorisé et/ou manuel d'installation pour plus d'informations avant d'installer un manteau, une étagère, ou n'importe quel autre objet au-dessus de votre appareil.

Votre appareil, de branchements gaz/électriques et de ventilation sont cachés derrière le mur fini. Il faut en grand pour éviter de visser ou clouer dans ces composants. Utilisez toujours un localisateur de montants pour déterminer l'emplacement des montants et seulement visser dans les montants.

Ne pas vissez dans les environs de l'ouverture de l'appareil car une partie de votre appareil peut être cachée derrière le mur fini. Référez-vous à votre manuel d'installation et/ou contactez votre revendeur local pour plus d'information.



! AVERTISSEMENT

La zone située au-dessus de la cheminée devient chaud. Objets combustibles ne doivent jamais être placés dans ce domaine. Pour les exigences minimaux, référez au manuel d'installation ou de votre revendeur agréé.

Les foyers génèrent la chaleur radiante. Ne placez pas des objets devant l'appareil (distance minimum de 4 pieds [1,21m])

dégagements autour de l'appareil

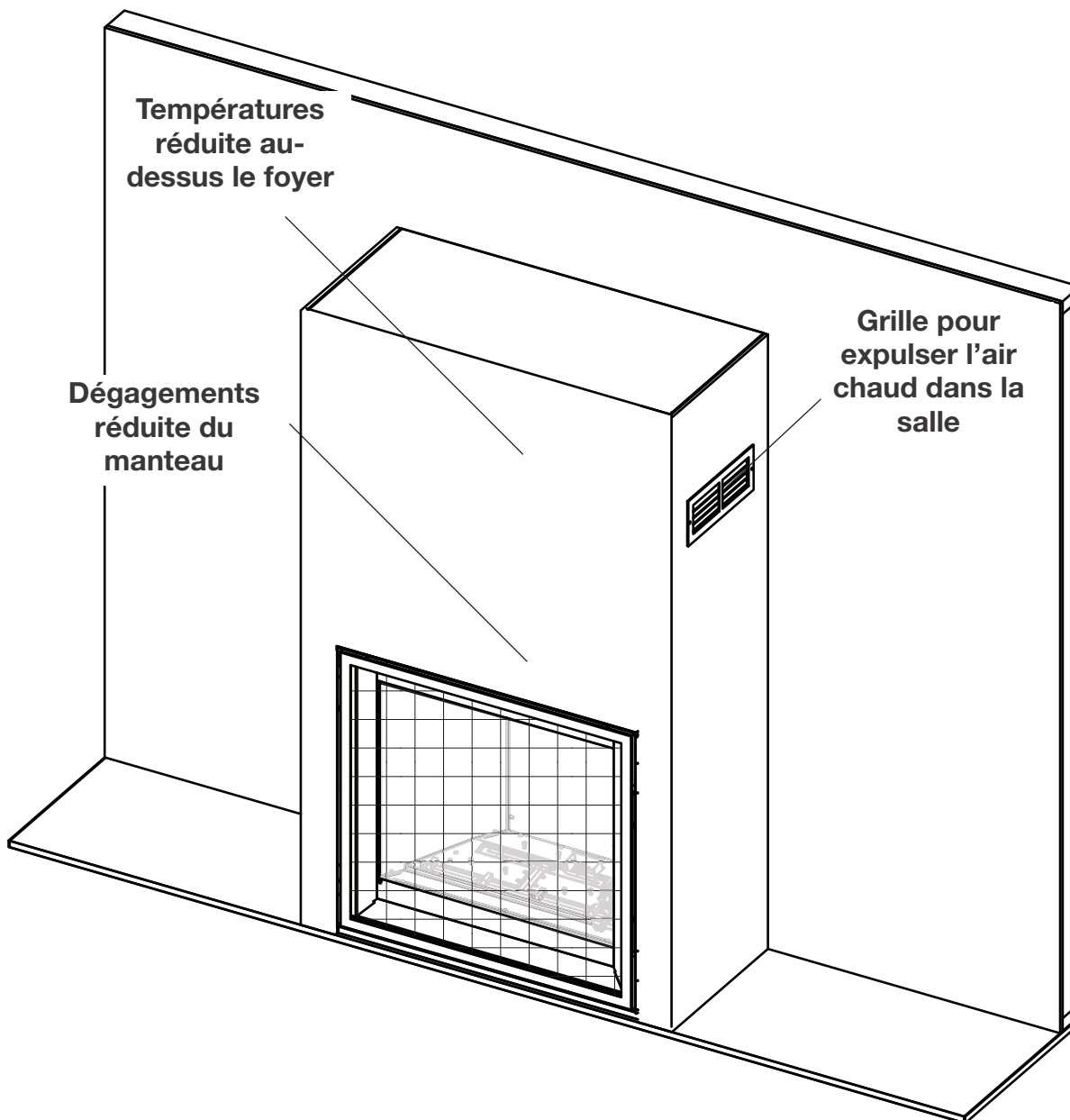
FR

5.1 système de gestion thermique (AXHM)

Le système de gestion thermique Altitude^{MD} X de Napoléon est un ensemble optionnel d'évent par gravité permettant de gérer la chaleur produite par l'appareil à l'ouverture du foyer et autour.

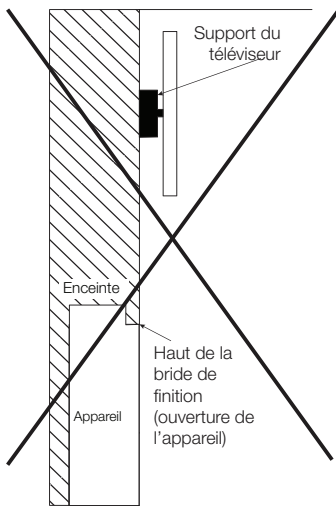
Nous recommandons d'installer l'ensemble du système de gestion thermique Altitude^{MD} X pendant l'installation de l'appareil **AVANT** l'évacuation et le gaz de l'appareil sont installés.

Pour plus d'information, consultez votre détaillant local autorisé.

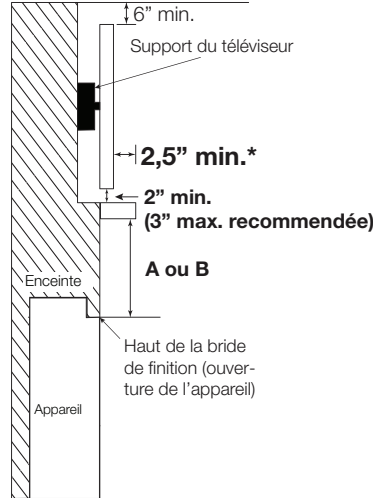


5.2 dégagements autour de l'appareil (téléviseur et des objets précieux)

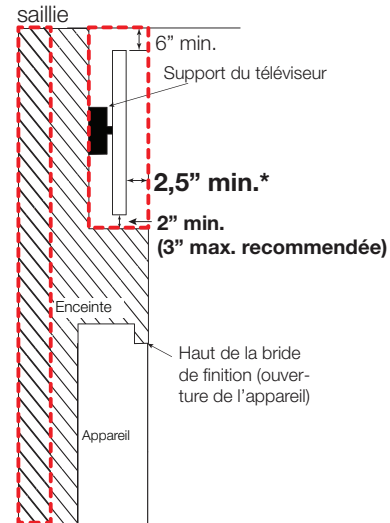
Installation affleurant sans une tablette




Installation partiellement enchâssées avec une tablette

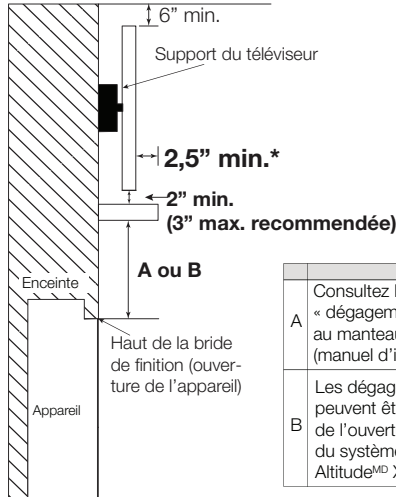


Installation enchâssées avec une saillie



 Le volume d'air doit être ajouté à l'enceinte pour accueillir l'espace encastré.

Installation affleurant avec une tablette



A	Consultez la section « dégagements minimal au manteau combustible » (manuel d'installation).
B	Les dégagements de la tablette peuvent être réduite à 4 pouces de l'ouverture avec l'utilisation du système gestion chaleur Altitude ^{MD} X.

* Les applications avec un téléviseur ont été testés avec la série Altitude^{MD} X avec les dimensions d'enceinte minimaux et l'encasté maximum permissible. Les températures adapté pour opérer les téléviseurs typiques alors que vous opérez le foyer ont été obtenus **avec un protrusion d'un minimum de 7 pouces par l'avant surface du téléviseur**. Les données sont fournis de bonne foi et ne constituent pas une garantie pour chaque application et téléviseur. Lors de la planification de ces installations, l'attention et les considérations doivent être prises pour garantir que les températures autour du téléviseur respectent toutes les températures de fonctionnement recommandées par le fabricant. L'augmentation de la hauteur de la tablette et/ou la hauteur du téléviseur au-dessus de l'ouverture du foyer, le protrusion de la tablette et le volume de l'enceinte ont tous pour effet de réduire la température au-dessus du foyer. **Il est toujours recommandé d'utiliser l'ensemble de gestion de la chaleur (optionnel) lorsque vous envisagez de monter un téléviseur au-dessus du foyer.**

note:

- **Les températures de l'appareil électronique doivent être validées au moment de l'installation**, car les caractéristiques de débit d'air dans la pièce peuvent varier et les températures de fonctionnement maximales acceptables peuvent varier d'un appareil à l'autre. L'appareil électronique ne peut pas être utilisé lorsque sa température dépasse les températures de fonctionnement maximales autorisées par le fabricant (voir les caractéristiques techniques du fabricant de l'appareil électronique). **L'utilisation d'un téléviseur au-dessus de la température de fonctionnement maximale autorisée par le fabricant entraînera une panne prématuré.**
- La hauteur de la profondeur du manteau doivent être conformes aux exigences de dégagements de la tablette précisées dans ce manuel, consultez la section « dégagements minimal au manteau combustible » dans le manuel d'installation.
- Les températures de l'appareil électronique peuvent être encore réduites en augmentant la distance horizontale entre l'avant de l'appareil électronique et le bord avant de la tablette, ou alors en augmentant la dimension « A ». Toutefois, l'augmentation de l'écart entre le haut de la tablette et le bas de l'appareil électronique au-delà de la valeur maximale recommandée entraîne généralement des températures plus élevées. Le dégagement minimale entre la tablette et le bas de l'appareil électronique doit être maintenu pour permettre la circulation de l'air.

6.0 entretien

FR

AVERTISSEMENT

- Coupez l'alimentation en gaz et l'alimentation électrique avant de procéder à l'entretien de l'appareil.
- L'appareil peut être chaud. Attendez qu'il soit refroidi avant d'en faire l'entretien.
- **Pour les techniciens qualifié seulement:**
- Lors de l'entretien des contrôles, assurez-vous d'identifier chacun des fils avant de les débrancher. Une réinstallation incorrecte des fils peut occasionner un mauvais fonctionnement et être dangereuse.
- Cet appareil est son système d'évacuation devraient être inspectés avant la première utilisation et au moins une fois l'an par un technicien service qualifié.
- Les apports d'air comburant et d'air de convection ne doivent pas être obstrués.

IL FAUT

- Nettoyer votre barrière de protection régulièrement pour prévenir les peluches/poussières provenant des tapis, des animaux, etc/. Il suffit de passer l'aspirateur à l'aide de l'embout avec une brosse.
- Toujours utiliser des nettoyeurs à vitres sans ammoniacque.
- Nécessiter un entretien qui devra être effectué sur une base annuelle. L'entretien doit être conduit pas un technicien qualifié.
- Laisser l'espace entourant l'appareil propre et libre de matériaux combustibles, d'essence ou autres liquides et vapeurs inflammables.
- Vérifiez si le brûleur allume sur tous les orifices lorsque l'appareil marche. Un temps d'allumage total de 5 à 10 seconds est satisfaisant. Service selon les besoins.

IL NE FAUT PAS

- Essayez d'entretenir l'électrique ou des composants de gaz. Contacter un technicien qualifié.
- Utiliser une force excessive.
- Utiliser de nettoyeurs abrasifs sur verre.
- Peinturez l'ensemble du pilote.
- Placer pas les objets trop près de l'ouverture de l'appareil.

note:

Pour toute question ou des préoccupations au sujet de votre appareil, l'entretien et le service, contacter votre détaillant agréé.

6.1 soins de la vitre

AVERTISSEMENT

- Nettoyer pas la vitre lorsqu'elle est chaude! N'employez pas de détergents abrasifs pour nettoyer la vitre.

Polissez légèrement à l'aide d'un linge propre et sec pour enlever la poussière et les traces de doigts. Nettoyez les deux côtés de la vitre avec un nettoyeur sans ammoniacque après les dix premières heures de fonctionnement.

note:

Les nettoyeurs à base de vinaigre procurent habituellement une surface propre et sans traces.

Par la suite, nettoyez aussi souvent qu'il le faudra, sinon la vitre risque de rester marquée en permanence.

Ne touchez pas la surface intérieure ou extérieure de la vitre avec des lames de rasoir, de la laine d'acier ou d'autres objets métalliques puisque la mince couche de métal retirée de l'objet pourrait se déposer sur le revêtement causant une décoloration ou une égratignure. Plus important encore, cela peut rayer la surface du verre réduisant ainsi sa puissance.

Ne pas faire fonctionner l'appareil avec la vitre brisée, les fuites de gaz de combustion peut résulter.

Contactez votre détaillant local autorisé pour les instructions de nettoyage complètes.

Si la vitre devait fissurer pendant que le feu brûle, n'ouvrez pas la porte jusqu'à ce que le feu s'éteigne et n'utilisez pas l'appareil jusqu'à ce que la vitre ait été remplacée par une nouvelle, disponible chez votre détaillant autorisé. **N'UTILISEZ PAS DE MATÉRIAUX SUBSTITUTS.**

L'ensemble de verre/cadre de remplacement est remplacé comme une unité cinplète telle que fournie par le fabricant de l'appareil.

L'appareil est muni d'une 5mm en verre céramique. Remplacez uniquement avec une pièce pour le foyer disponible chez votre détaillant autorisé. **N'UTILISEZ PAS DE MATÉRIAUX SUBSTITUTS.**

6.2 soins des pièces plaquées

Si l'appareil est muni de pièces plaquées, vous devez enlever toutes traces de doigts ou autres marques des surfaces plaquées avant d'allumer l'appareil pour la première fois. Utilisez les nettoyeurs sans ammoniaque ou à base de vinaigre. Si la surface plaquée n'est pas bien nettoyée avant le premier allumage de l'appareil, elle risque de rester marquée en permanence. Une fois que la surface plaquée aura chauffé, les traces de doigts et le gras n'affecteront plus la surface et très peu d'entretien sera requis; vous n'aurez qu'à l'essuyer au besoin. Une combustion prolongée à haute température avec la porte ouverte peut causer une décoloration des pièces plaquées.

note:

L'emballage de protection sur les pièces plaquées s'enlève mieux lorsque l'assemblage est à température ambiante ou lorsqu'il est chauffé (c.à.d. avec un séchoir à cheveux ou une autre source de chaleur similaire).

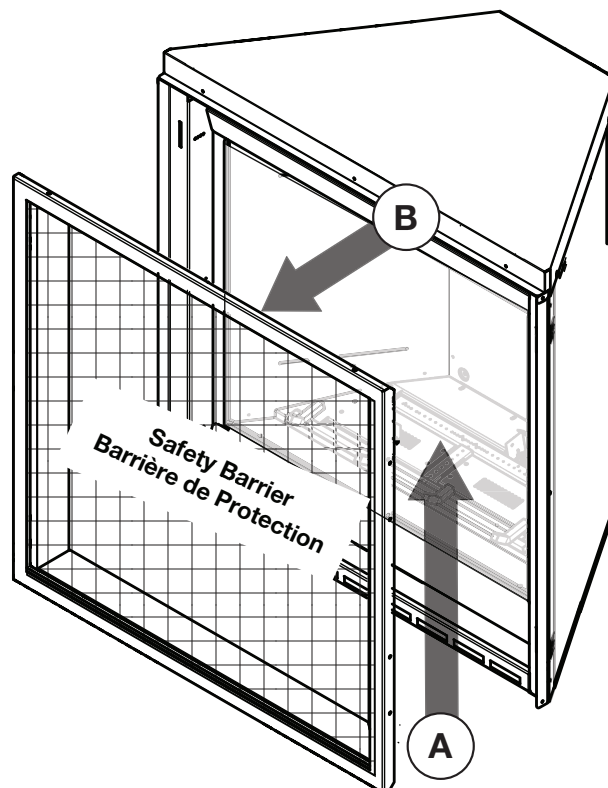
6.3 enlèvement / installation de la barrière de protection

⚠ AVERTISSEMENT

- La vitre peut être chaude. Ne touchez pas la vitre jusqu'à ce qu'elle ait refroidi.
- Si équipé avec les loquets de porte qui font partie d'un dispositif de sécurité, ils doivent être adéquatement verrouillés. Ne faites pas fonctionner l'appareil lorsque les loquets sont déverrouillés.
- Les matériaux de façade et de finition ne doivent pas nuire à la circulation de l'air dans les ouvertures d'air et les persiennes, ni au fonctionnement des persiennes ou des portes ni l'accès pour l'entretien. Respectez tous les dégagements aux matériaux combustibles
- Avant d'enlever la porte, éteignez l'appareil et attendez que ce dernier soit froid au toucher. Les portes sont lourdes et fragiles; manipulez avec soin.

Une barrière conçu à réduire le risque de brûlures à partir de la vitre chaude est à condition que avec l'appareil et sera être installés.

Avant que le verre puisse être retiré, soulevez la barrière de protection hors des 4 goupilles puis inclinez la partie haut de la porte vitrée et enlevez-la de l'appareil.



entretien

FR

6.4 enlèvement / installation de la porte vitrée

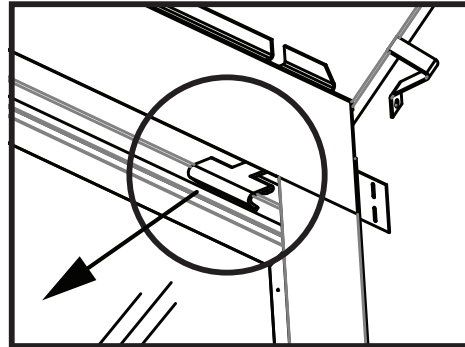
Laissez une main sur la porte vitrée pendant l'enlèvement de la porte. La porte vitrée est maintenue en place par quatre loquets. Tirez les poignées des loquets vers l'avant, puis retirez les loquets du cadre de porte afin de libérer la porte. Pivotez ensuite le haut de la porte vers l'avant jusqu'à ce que vous puissiez saisir les côtés. Soulevez la porte hors de l'appareil.

note:

Ce système de décharge constitue le système de secours de l'appareil. Vérifiez si le système de décharge effectue efficacement.

note:

Lorsque vous installez la porte, assurez-vous que l'espacement sur les côtés gauche et droit soit égal. Ceci facilitera l'installation de la façade.

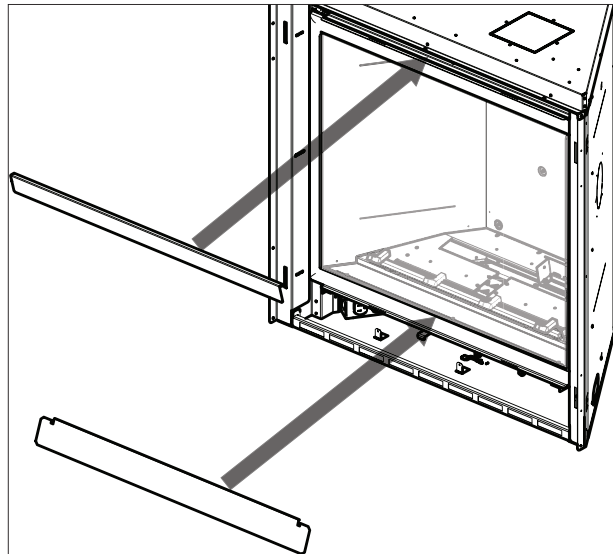


Inversez ces étapes pour réinstaller la porte. Assurez-vous que la barrière de protection est correctement installée.

6.5 installation de la moulure supérieure et inférieure

Cet appareil est expédié avec une moulure de finition supérieure et inférieure emballé séparément de l'appareil.

Les deux moulures **DOIVENT** être installées. Voir l'illustration.



AVERTISSEMENT

- Omettre de positionner les pièces conformément à ce manuel ou d'utiliser uniquement des pièces spécifiquement approuvées pour cet appareil peut causer des dommages matériels ou des blessures corporelles.

Contactez votre détaillant pour les questions concernant les prix et la disponibilité des pièces de remplacement. Normalement, toutes les pièces peuvent être commandées chez votre détaillant autorisé.

Pour un remplacement de pièce sous garantie, une photocopie de la facture originale sera requise afin de pouvoir honorer la demande.

Lorsque vous commandez des pièces, donnez toujours l'information suivante:

- Modèle et numéro de série de l'appareil
- Date d'installation de l'appareil
- Numéro de la pièce
- Description de la pièce
- Fini

Pièces, numéro des pièces et s'il soit disponible peut changer sans préavis.

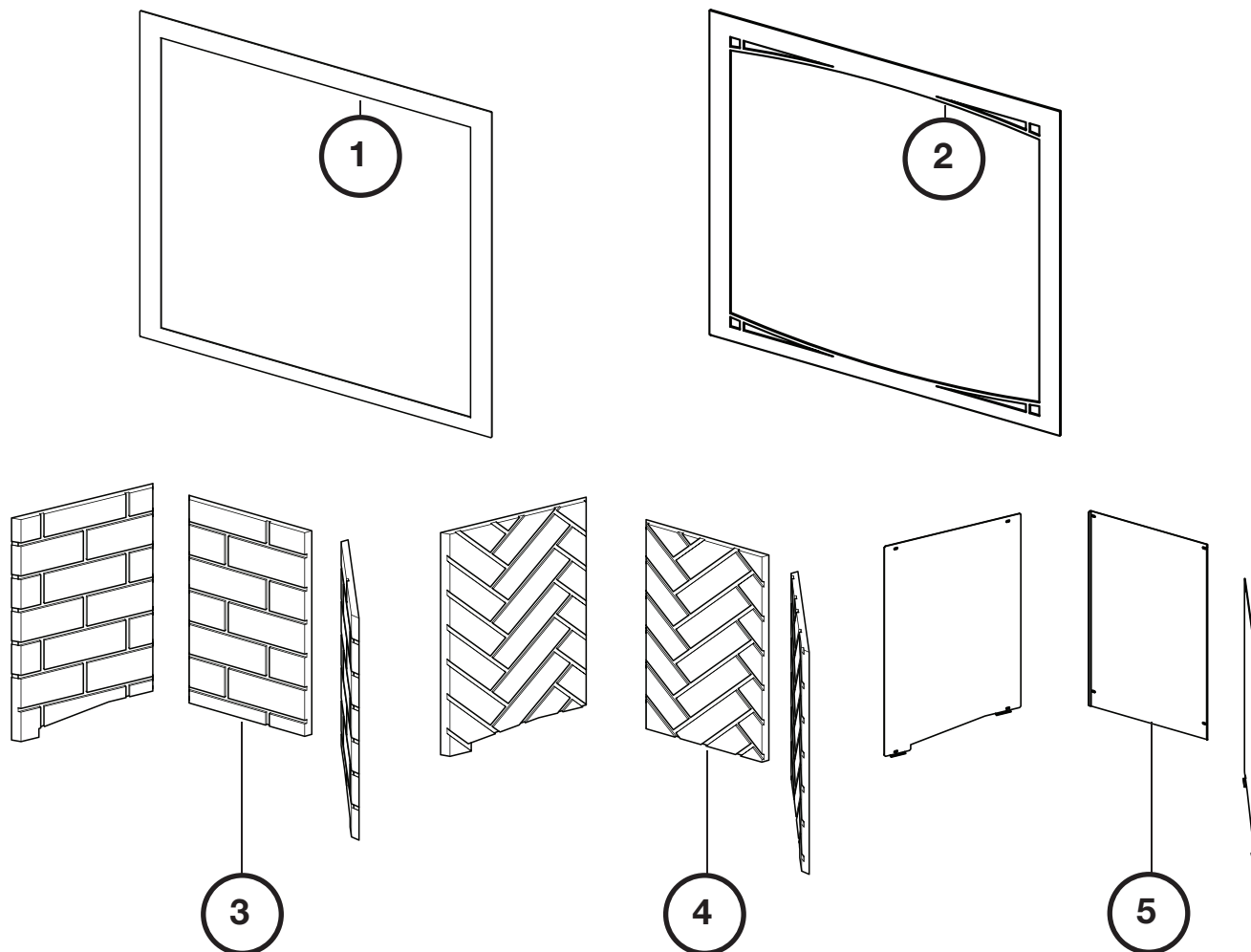
Parties identifiées comme garnie seront livrés dans 2 à 5 jours pour la plupart des destinations de livraison.

Pièces non identifiées que stockés seront livrés dans un délai de 2 à 4 semaines pour la plupart des cas.

Pièces identifiées comme « SO » sont commande spéciale et peuvent prendre jusqu'à 90 jours pour la livraison.

8.0 accessoires

FR



Réf.	No. de pièce	Description	En stock
1	FTAX36BK/CH/CP/GM	Moulure de finition (Noir / Charbon / Cuivre / Graphite)	
1	FTAX42BK/CH/CP/GM	Moulure de finition (Noir / Charbon / Cuivre / Graphite)	
2	ZAX36BK/CH	Façade zen (Noir / Charbon)	
2	ZAX42BK/CH	Façade zen (Noir / Charbon)	
3	DBPAX36NS/OS/WS	Panneaux décoratifs simili-briques classiques (Newport ^{MD} / Rouge rustique / Gris)	
3	DBPAX42NS/OS/WS	Panneaux décoratifs simili-briques classiques (Newport ^{MD} / Rouge rustique / Gris)	
4	DBPAX36WH/OH	Panneaux décoratifs simili-briques victoriens (Gris / Rouge rustique)	
4	DBPAX42WH/OH	Panneaux décoratifs simili-briques victoriens (Gris / Rouge rustique)	
5	PRPAX36	Panneaux réflecteurs radiants en porcelaine	
5	PRPAX42	Panneaux réflecteurs radiants en porcelaine	

* Pièces non illustrées

9.0 guide de dépannage

FR

symptôme	problème	solution
La flamme du brûleur est bleue, parasseuse et transparente.	Système d'évacuation bloqué.	- Enlever ce qui obstrue. Dans des conditions de froid extrême, une accumulation de glace peut se former sur la terminaison et devrait être enlevé lorsque nécessaire.
Formes de film blanc / gris.	Teneur en soufre du combustible-est étant déposé sur les surfaces en verre, bûches, ou chambre de combustion	- Nettoyer la vitre avec un nettoyeur pour vitres de cheminée gaz recommandé. NE PAS NETTOYER VERRE LORSQUE CHAUD. - Si les dépôts ne sont pas nettoyés régulièrement, le verre peut devenir définitivement marqué.
Gaz d'échappement se sentait dans la salle, maux de tête.	Appareil peut y avoir une fuite de gaz d'échappement.	- Vérifier que la porte vitrée a été installée correctement après le nettoyage. Mettez hors de tension de l'appareil. Contactez un technicien qualifié.
Pilote ne s'allume pas. Fait du bruit avec aucune étincelle à veilleuse	Aucun signal à distance avec aucun pilote allumage	- Reprogrammer le code du récepteur. - Remplacer le boîtier de piles (inclus l'interrupteur), s'il y a lieu.
Étincelle à la veilleuse mais celle-ci ne s'allume pas.	Alimentation en gaz.	- Contacter un technicien qualifié.
	Plus de propane.	- Remplir le réservoir.
	Télécommande (si équipé).	- Suivre les instructions fourni avec la télécommande installer avec votre appareil pour réinitialiser le reprogramme. - Remplacer la télécommande.
Le boîtier de piles (inclus l'interrupteur mural) est en position « off »; le brûleur s'allume.	Le boîtier à piles (inclus l'interrupteur mural) est monté à l'inverse.	- Inverse.
	Le boîtier à piles (inclus l'interrupteur mural) et/ou le fil est relié à la terre.	- Remplacer. - Vérifier la masse (court); réparer ou remplacer les fils.
	Câblage défectueux.	- Remplacer.
Le télécommande et/ou le boîtier à piles (inclus l'interrupteur mural) ne fonctionne pas correctement.	La télécommande s'allume mais aucune étincelle ou flamme (la télécommande est verrouillé).	- Réinitialiser en tournant l'alimentation « off » puis « on ».
	Les piles sont faibles.	- Remplacez les piles.
	Erreur de synchronisation.	- Réinitialiser le boîtier de piles (inclus l'interrupteur) et la télécommande.
Les flammes sont très actives.	Télécommande est trop loins du récepteur (inclus l'interrupteur).	- Voir la section « schéma de câblage » dans le manuel d'installation.
	La porte est ouvert.	- Assurez-vous que la porte est bien fermée. Si non, contacter un technicien qualifié.
	L'appareil n'effectue aucune fonction.	Pas de puissance au système.
L'appareil n'effectue aucune fonction.	Le boîtier de piles (inclus l'interrupteur mural) est à la mauvaise position (si équipé).	- Vérifiez que le boîtier de piles (inclus l'interrupteur) est dans la position « remote » (milieu).
	Le boîtier de piles et / ou la télécommande ne fonctionne pas.	- Vérifiez les piles ainsi que leur puissance et leur orientation.

10.0 garantie

FR

Les produits **Napoléon** sont fabriqués conformément aux normes strictes du Système de Gestion de la Qualité mondiallement reconnu ISO 9001 : 2015.

Les produits **Napoléon** sont conçus avec des composants et des matériaux de qualité supérieure, assemblés par des artisans qualifiés qui sont fiers de leur travail. Le brûleur et le montage de la soupape subissent un test de détection de fuite et d'allumage à une station de test de qualité. Une fois assemblé, chaque appareil est soigneusement inspecté par un technicien qualifié avant d'être emballé pour garantie que vous, le client, recevez le produit de qualité dont vous vous attendez de **Napoléon**.

Garantie à Vie Limité du Président des Appareils au Gaz Napoléon

Les matériaux suivants et la fabrication de votre nouveau appareil au gaz **Napoléon** sont garantis contre les défauts tant que vous en êtes le propriétaire. Ceci couvre: la chambre de combustion, l'échangeur de chaleur, le brûleur en acier / inoxydable, les bûches Phazer™ et les braises, les roches, la vitre en céramique (cassure thermique seulement), les pièces plaquées ou contre le ternissement, les composants en porcelaine émaillée et les mouleurs d'extrusion en aluminium.*

Les composants électriques (110V et millivolt) et les pièces soumises à l'usure sont couverts et **Napoléon** fournira gratuitement les pièces de rechange durant la première année de la garantie limitée. Ceci couvre: la soufflerie, les soupapes de gaz, l'interrupteur thermique, les interrupteurs, l'installation électrique, les télécommandes, l'allumeur, les joints d'étanchéité et l'assemblage de la veilleuse.*

Les coûts de main-d'oeuvre relatifs aux réparations garanties sont couverts gratuitement durant la première année. (Les coûts de main-d'oeuvre n'est pas disponible pour l'ensemble de bûches à gaz). Cependant, les travaux de réparation nécessitent l'approbation préalable d'un représentant autorisé de la compagnie. Les coûts de main-d'oeuvre à la charge de **Napoléon** sont basés sur un programme de tarifs prédéterminé et tout travail de réparation doit être accompli par l'entremise d'un représentant autorisé **Napoléon**.

* La fabrication de chaque modèle varie. La garantie s'applique uniquement aux composants disponibles avec votre appareil.

Conditions et Limitations

Napoléon garantit ses produits contre les défauts de fabrication à l'acheteur d'origine seulement. L'enregistrement de la garantie n'est pas nécessaire. Fournissez simplement une preuve d'achat ainsi que la modèle et le numéro de série afin d'effectuer une réclamation de garantie.

Napoléon se réserve le droit de demander à son représentant d'inspecter tous produits ou pièces avant d'honorer toute réclamation. L'achat doit avoir été fait par l'entremise d'un détaillant **Napoléon** autorisé et sous réserve des conditions et limitations suivantes:

La couverture de la garantie débute à partir de la date d'installation originale. Cette garantie du fabricant n'est pas transférable et ne peut être prolongée par aucun de nos représentants. L'appareil au gaz doit être installé par un installateur autorisée qualifié, une agence de service ou fournisseur. L'installation doit être faite conformément aux instructions d'installation incluses avec le produit et à tous les codes d'incendie et de construction locaux et nationaux. Cette garantie limitée ne couvre pas les dommages causés par un mauvais usage, un manque d'entretien, un accident, des altérations, des abus ou de la négligence et l'installation de pièces d'autres fabricants annulera cette garantie. Cette garantie limitée ne couvre pas non plus les égratignures, les bossellements, la corrosion ou la décoloration causés par une chaleur excessive, des produits d'entretien chimiques et abrasifs ou l'écaillage des pièces en porcelaine émaillée, le bris par manipulation des bûches PHAZER™ et des braises.

Cette garantie s'étend à la réparation ou au remplacement des pièces garanties dont les matériaux ou la fabrication sont défectueux à la condition que le produit ait été utilisé conformément aux instructions de fonctionnement et dans des conditions normales. Après la première année, concernant cette Garantie à Vie Limitée du Président, **Napoléon** peut, à sa discrétion, se libérer entièrement de toutes obligations en ce qui concerne cette garantie en remboursant à l'acheteur d'origine le prix de gros de toute pièce garantie qui est défectueuse.

Napoléon ne sera pas responsable de l'installation, de la main-d'oeuvre ou autres dépenses relatives à la réinstallation d'une pièce garantie et de telles dépenses ne sont pas couvertes par cette garantie.

Nonobstant toutes les dispositions contenues dans cette Garantie à Vie Limitée du Président, la responsabilité de **Napoléon** sous cette garantie est définie comme ci-dessus et elle ne s'appliquera à aucun dommage accidentel, consécutif ou indirect. Cette garantie définit l'obligation et la responsabilité de **Napoléon** en ce qui concerne l'appareil au gaz **Napoléon** et toute autre garantie énoncée ou implicite en ce qui concerne ce produit, ses composants ou accessoires est exclue.

Napoléon n'endosse ni n'autorise aucun tiers à assumer en son nom, toute autre responsabilité concernant la vente de ce produit.

Napoléon ne sera pas responsable d'une surchauffe, des refoulements, des déversements causés par des conditions environnementales telles que des toits, des bâtiments, la proximité d'arbres, de collines, de montagnes, une ventilation ou des événements inadéquats, une configuration d'évacuation excessive, un apport d'air insuffisant ou des pressions négatives qui peuvent ou non être causés par des systèmes mécaniques tels que les ventilateurs d'évacuation, les fournaies, les sècheuses de linge, etc. Tout dommage causé à l'appareil, à la chambre de combustion, à l'échangeur de chaleur, aux garnitures plaquées ou autres composants par l'eau, les dommages causés par les intempéries, de longues périodes d'humidité, la condensation, des produits chimiques ou produits d'entretien nuisibles ne seront pas la responsabilité de **Napoléon**. Toutes les pièces remplacées en vertu de la politique de Garantie à vie limitée du Président ne peuvent faire l'objet que d'une seule réclamation. Durant les dix premières années, **Napoléon** remplacera ou réparera les pièces défectueuses qui sont couvertes par la garantie à vie limitée à sa discrétion gratuitement. Après les dix premières années, **Napoléon** fournira les pièces de rechange à 50% du prix de détail courant. Toutes les pièces remplacées au titre de la garantie seront couvertes pour une période de 90 jours à partir de leur date d'installation. Le fabricant peut exiger que les pièces défectueuses ou les produits soient retournés ou que des photos numériques soient fournies pour valider la réclamation. Les produits retournés doivent être expédiés port payé au fabricant pour une inspection en usine. Si un produit est déclaré défectueux, le fabricant le réparera ou le remplacera. Avant d'expédier votre appareil ou les pièces défectueuses, votre détaillant doit obtenir un numéro d'autorisation. Toute marchandise expédiée à notre usine sans autorisation sera refusée et retournée à l'expéditeur.

Les coûts d'expédition ne sont pas couverts par cette garantie.

Des frais de service supplémentaires peuvent être appliqués si vous cherchez à obtenir des services au titre de la garantie auprès d'un détaillant.

Les indemnités de main-d'oeuvre au titre de la garantie s'appliquent uniquement pour le remplacement d'une pièce garantie.

Les frais de déplacement, de tests de diagnostic, d'expédition et autres frais afférents ne sont pas couverts par cette garantie.

Toutes les spécifications et les conceptions sont sujettes à modifications sans préavis en raison des améliorations constantes apportées au produit. **Napoléon** est une marque de commerce déposée de Wolf Steel Ltée.

NAPOLÉON CÉLÈBRE PLUS DE 40 ANS D'EXISTENCE CONSACRÉS À LA CONCEPTION DE PRODUITS DE CONFORT



7200, Route Transcanadienne, Montréal, Québec H4T 1A3
24 Napoleon Road, Barrie, Ontario, Canada L4M 0G8
214 Bayview Drive, Barrie, Ontario, Canada L4N 4Y8
103 Miller Drive, Crittenden, Kentucky, USA 41030

Téléphone: 1-866-820-8686
napoleon.com