

This Owner's Manual is provided and hosted by [Appliance Factory Parts](#).



# Napoleon HDX52PT-2 Owner's Manual

[Shop genuine replacement parts for Napoleon  
HDX52PT-2](#)



STARFIRE™ 52

*Direct Vent, Electronic Ignition*

Propane

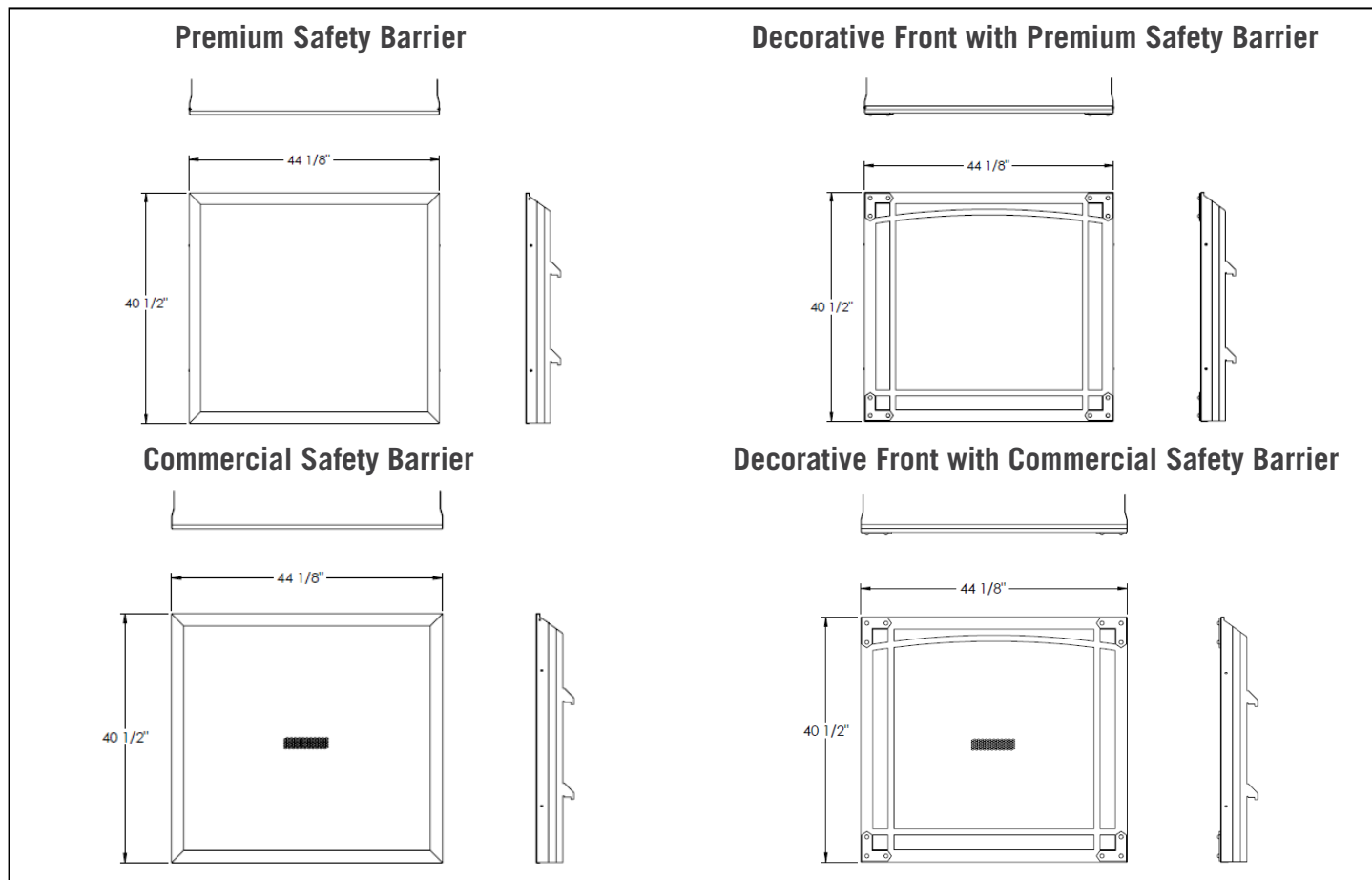
[Find Your Napoleon Fireplace Parts - Select From 171 Models](#)

----- Manual continues below -----

## Specifications

Model	BTU	Width		Height		Depth		Glass
		Actual	Framing	Actual	Framing	Actual	Framing	
HDX52	55,000	56 7/8"	57 3/8"	54 13/16"	55 1/4"	29 1/8"	29 3/8"	37 1/2" X 41 3/4"

## Front Options



## Minimum Framing Clearances

**Maintain these minimum clearances to combustibles from appliance and vent surfaces:**

**Appliance framing:**  
Use steel stud framing provided.

**Non-Combustible Appliance finishing:**

- Front - 6" (152mm) to sides of appliance opening
- 13" (330mm) above appliance opening

**Combustible Appliance finishing:**

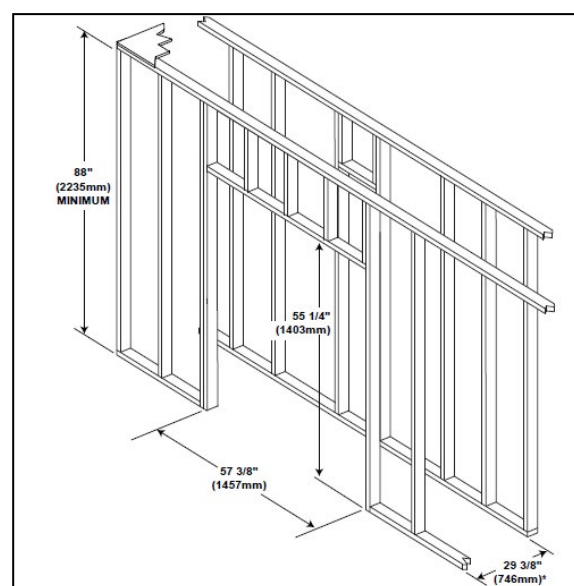
- 88" (2235mm) from bottom of appliance to enclosure top
- 4 1/2" (114mm) to top of vent pipe\*
- 1 1/2" (38mm) to sides and bottom of vent pipe\*

**Ceiling height is minimum 24" (610mm) from the top of the appliance opening.**

**\*HORIZONTAL VENT SECTIONS:** A minimum clearance of 4 1/2" (114mm) to the top and 1 1/2" (38mm) to the sides and bottom of the vent pipe on all horizontal runs to combustibles is required. Horizontal vent sections within enclosures require a minimum clearance of 11" (279mm) at the top of the vent pipe, see "MINIMUM CLEARANCE TO COMBUSTIBLE ENCLOSURES" section. Use firestop spacer W010-3364 (supplied).

**\*VERTICAL VENT SECTIONS:** A minimum of 1" (25mm) all around the vent pipe on all vertical runs to combustibles is required except for clearances in appliance enclosures. Vertical vent sections within enclosures require a minimum clearance of 2" (51mm) around the vent pipe. Use firestop spacer W010-3364 (not supplied).

## Minimum Framing Clearances

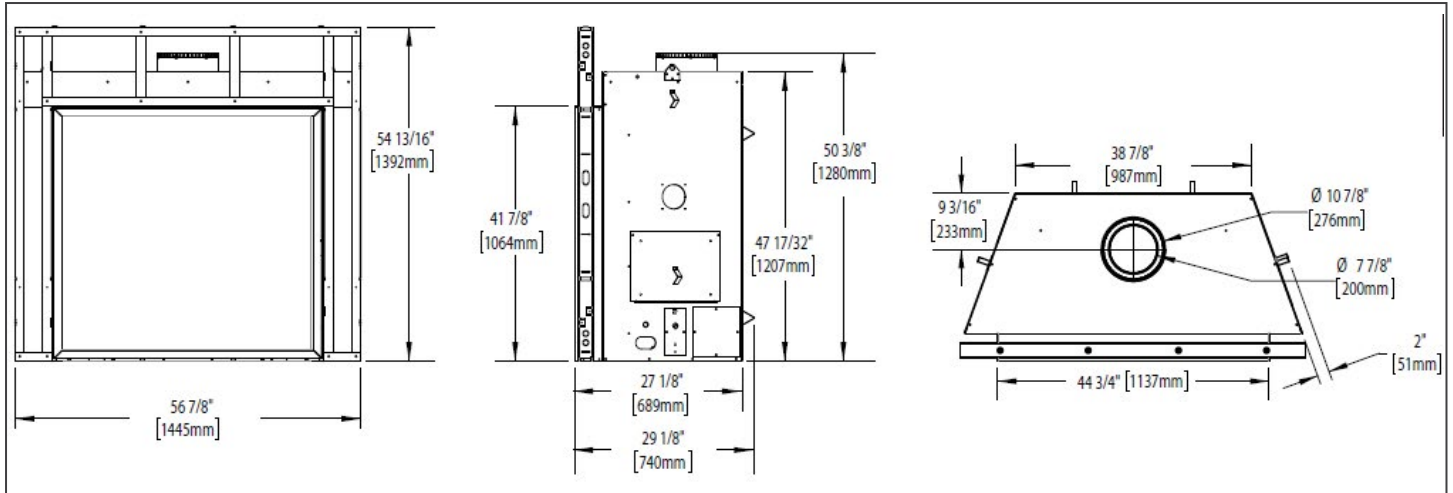


# STARFIRE™ 52 DIRECT VENT GAS FIREPLACE

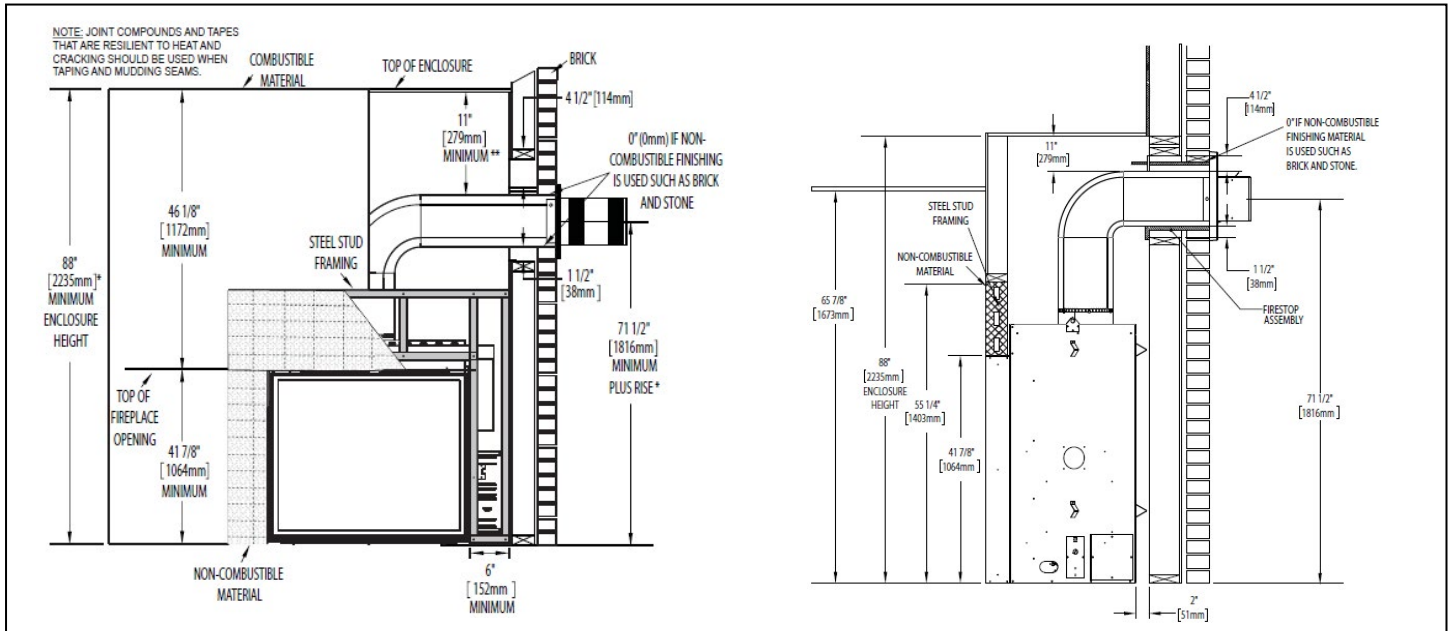


Product information provided is not complete and is subject to change without notice. Please consult the installation manual for the most up to date installation information.

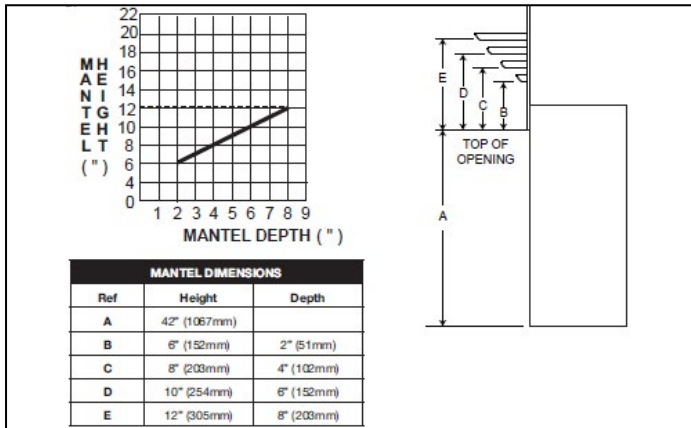
## Dimensions



## Wall Penetration



## Combustible Mantel Clearances



## Appliance Location

