

This Owner's Manual is provided and hosted by [Appliance Factory Parts](http://www.appliancefactoryparts.com).



TWIN EAGLES TEPB24-CN Owner's Manual

[Shop genuine replacement parts for TWIN EAGLES
TEPB24-CN](#)



[Find Your TWIN EAGLES Grill Parts - Select From 58 Models](#)

----- Manual continues below -----



TWIN EAGLES

U S A

INNOVATION AND INSPIRATION ON FIRE™

TWIN EAGLES POWER BURNER INSTALLATION, USE, & CARE MANUAL



MODELS:
TEPB24HG-C (SHOWN)
TEPB24-C

A message to our customers...

Congratulations on the purchase of your TWIN EAGLES Power Burner! Our products are engineered for precision and designed for style. Each TWIN EAGLES Power Burner is manufactured in the USA at our own state of the art facility in California.

This manual will give you easy to follow instructions for installing, operating and maintaining your TWIN EAGLES Power Burner. We recommend reading this manual carefully before your first use to ensure safety, proper care and operation.

At TWIN EAGLES, we want you to enjoy grilling and spending time together as much as we do – making memories that linger long after the grill cools down.

Thank you and welcome!

Dante Cantal
Owner and Founder

FOR YOUR RECORDS

Please record the product information below and refer to it when contacting TWIN EAGLES. This information is found on the data nameplate, located on the bottom right hand side of the body near the regulator. A second label with model number and serial number is located under the right side of the front panel. Remove the drip tray to visually access the nameplate from the front of the Power Burner.

Model #: _____

Serial #: _____

Date of Purchase: _____

Place of Purchase: _____

Type of Gas: NG LP



To the Installer:

Please read these instructions completely before installation and give this manual to the owner.

To the Owner:

Keep this manual in a safe place for future reference.

IMPORTANT SAFETY INFORMATION

WARNING! Read this manual carefully and completely before using your Power Burner to ensure proper operation, proper installation, proper servicing and to reduce the risk of fire, burn hazard and/ or other injury.

AVERTISSEMENT! Lire ce manuel avec soin et en entier avant l'utilisation de votre barbecue afin d'en assurer un fonctionnement, une installation et un entretien adéquats et réduire le risque d'incendie, de brûlures et d'autres blessures.

<p>F O R Y O U R S A F E T Y</p> <p>If you smell gas:</p> <ol style="list-style-type: none">1. Shut off gas to the appliance.2. Extinguish any open flames.3. Open lid.4. If odor continues, keep away from the appliance and immediately call your gas supplier or fire department.	<p>A V E R T I S S E M E N T</p> <p>S'il y a une odeur de gaz:</p> <ol style="list-style-type: none">1. Coupez l'admission de gaz de l'appareil.2. Éteindre toute flamme nue.3. Ouvrir le couvercle.4. Si l'odeur continue, évitez l'appareil et appelez tout de suite votre fournisseur de gaz ou les pompiers.
<p>F O R Y O U R S A F E T Y</p> <ol style="list-style-type: none">1. Do not store or use gasoline or other flammable vapors and liquids in the vicinity of this or any other appliance.2. An LP cylinder not connected for use shall not be stored in the vicinity of this or any other appliance.	<p>A V E R T I S S E M E N T</p> <ol style="list-style-type: none">1. Ne pas entreposer ni utiliser de l'essence ni d'autres vapeurs ou liquides inflammables dans le voisinage de l'appareil, ni de tout autre appareil.2. Une bouteille de propane qui n'est pas raccordée en vue de son utilisation, ne doit pas être entreposée dans le voisinage de cet appareil ou de tout autre appareil.
<p>THIS APPLIANCE IS FOR OUTDOOR USE ONLY:</p> <p>If stored indoors, detach and leave L.P. cylinder outdoors.</p>	<p>CE APPAREIL EST POUR UTILISATION à L'EXTÉRIEUR SEULEMENT:</p> <p>Si l'appareil est entreposé à l'intérieur, enlever les bouteilles et les laisser à l'extérieur.</p>
<p>B E F O R E L I G H T I N G</p> <ol style="list-style-type: none">1. Read instructions before lighting.2. Remove cover during lighting.3. If ignition does not occur in 5 seconds, turn the burner control(s) off, wait 5 minutes, and repeat the lighting procedure.	<p>A V A N T D ' A L L U M E R L ' A P P A R E I L</p> <ol style="list-style-type: none">1. Lisez les instructions avant d'allumer l'appareil.2. Enlevez le couvercle avant d'allumer l'appareil.3. Si l'appareil ne s'allume pas en 5 secondes, fermez le robinet du brûleur, attendez 5 minutes, et procédez de nouveau à l'allumage.
<p>W A R N I N G</p> <p>Electrical Grounding Instructions: This outdoor gas cooking appliance is equipped with a three prong (grounding) plug for your protection against shock hazard and should be plugged directly into a properly grounded three prong outlet. Do not cut or remove the third prong from this plug.</p>	<p>A V E R T I S S E M E N T</p> <p>Instruction pour la mise à la terre électrique: Cet appareil est muni d'une fiche à trois broches (mise à la terre) afin de vous protéger des chocs et doit être branché directement dans une prise de courant à trois broches adéquatement mise à la terre. Il ne faut pas couper ou enlever la broche de mise à la terre de cette fiche.</p>

GENERAL SAFETY REQUIREMENTS

1. The installation of this appliance must conform with local codes or, in the absence of local codes, either the *National Fuel Gas Code, ANSI Z223.1/NFPA 54, Natural Gas and Propane Installation Code, CSA B149.1 or Propane Storage and Handling Code, B149.2*
2. The utilization of an external electrical source requires that when installed, this outdoor cooking gas appliance must be electrically grounded in accordance with the local codes or, in the absence of local codes, with the National Electrical Code, ANSI/NFPA 70, or the Canadian Electrical Code, CSA C22.1. Keep any electrical supply cord, or the fuel supply hose away from any heated surfaces.
3. This outdoor cooking gas appliance shall be used only outdoors and shall not be used in a building, garage or any other enclosed area.
4. This outdoor cooking gas appliance is not intended to be installed in or on recreational vehicles and /or boats.
5. **Minimum clearance of 12 inches from the back and sides of the Power Burner to adjacent combustible construction must be maintained. This outdoor cooking gas appliance shall not be located under overhead-unprotected combustible construction.**
6. Keep your Power Burner in an area clear and free from combustible materials, gasoline and other flammable vapors and liquids.
7. DO NOT obstruct the flow of combustion and ventilation air to this appliance. Keep the ventilation openings of the cylinder enclosure free and clear from debris.
8. Check all gas connections for leaks with soapy water solution and brush. Never use an open flame. (Reference page 6 for leak test procedure).
9. Check flexible hoses for cuts and wear that may affect the safety before each use.
10. Always use caution when operating the power burner in a windy area.
11. Never use the Power Burner without the drip pan installed and push all the way to the back of the Power Burner. Without the drip pan, hot liquid and debris could leak downward and produce a fire hazard.
12. The pressure regulator supplied with the Twin Eagles Gas Power Burner must be used. Replacement pressure regulators must be those specified by Twin Eagles.

WARNING: CALIFORNIA PROPOSITION 65

This product can expose you to chemicals including carbon monoxide which is known to the State of California to cause cancer and reproductive harm. To minimize exposure to the by-products of the burning fuel or from combustion, always operate this unit according to the use and care manual and provide good ventilation. California law requires businesses to warn customers of potential exposure to such substances. For more information go to www.P65Warnings.ca.gov.

AVERTISSEMENT: PROPOSITION 65 DE L'ETAT DE LA CALIFORNIE

Cet appareil peut vous exposer aux produits chimiques et au gaz monoxyde de carbone reconnue dans l'Etat de la Californie pour causer le cancer et des problemes de fertilité. Pour minimiser l'exposition de ces-sous produits combustibles ou de la combustion, utiliser toujours cet appareil en conformitee au manuel d'utilisation et d'entretien en s'assurant egalement d'une bonne ventilation. La loi de la Californie exige aux fabricants d'informer leurs clients aux risques d'exposition potentielle a de telles substances. Pour plus d'information, visiter le site www.P65Warnings.ca.gov

In Massachusetts: All gas products must be installed using a "Massachusetts" licensed plumber or gasfitter. A "T" handle type manual gas valve must be installed in the gas supply line to this appliance. This applies to permanently installed natural gas and propane installations. This does not apply to propane portable installations using a 20 pound tank.

TABLE OF CONTENTS

GETTING STARTED	1
LOCATING THE POWER BURNER	
○ CLEARANCE TO COMBUSTIBLE CONSTRUCTION.....	2
○ CLEARANCE TO NONCOMBUSTIBLE CONSTRUCTION.....	2
GAS REQUIREMENTS	
○ GAS SAFETY REQUIREMENT.....	3
○ LP GAS HOOKUP.....	4
○ NATURAL GAS INSTALLATION.....	5
○ LEAK TEST.....	6
○ BURNER FLAME / AIR SHUTTER ADJUSTMENT	7
ELECTRICAL REQUIREMENTS	8
CUTOUT DIMENSIONS	9
OPERATING INSTRUCTIONS	
○ BEFORE LIGHTING.....	10
○ HOW TO LIGHT.....	10
○ MATCH LIGHTING INSTRUCTIONS	10
CLEANING AND MAINTENANCE	
○ STAINLESS STEEL.....	11
○ GRATES.....	12
○ BURNER	12
○ SPIDER AND INSECT WARNING.....	12
○ BURNER INSTALLATION CHECK.....	13
○ WIRING DIAGRAM.....	13
REPLACEMENT PARTS	
○ EXPLODED VIEW.....	14
○ REPLACEMENT PARTS LIST.....	15
○ TROUBLE SHOOTING GUIDE.....	16
○ LIMITED PRODUCT WARRANTY.....	17
○ WARRANTY REGISTRATION CARD	

GETTING STARTED

1. Remove all packaging materials, labels and protective plastic film. DO NOT LEAVE UNIT UNDER THE SUN WITH PROTECTIVE PLASTIC FILM ON FOR A LONG PERIOD OF TIME AS IT WILL BE DIFFICULT TO REMOVE THE FILM.
2. Check to ensure that all Power Burner accessories listed below are included.

Power burner Accessories	TEPB24-BN	TEPB24-BL	TEPB24HG-BN	TEPB24HG-BL
Grate, Round, Stainless Steel	1	1		
Grate, Round, Middle, Stainless Steel	1	1		
Grate, Power Burner (Optional heavy duty)			1	1
Regulator, NG (NG Power burner only)	PRE-INSTALLED			
Regulator, LP (LP Power burner only)	PRE-INSTALLED			

3. Fill up the Warranty Registration Card and mail it to the indicated address.

Specifications	Value
Counter Opening Height	11.50"
Counter Opening Width	22.00"
Counter Opening Depth	20.50"
Btu	70,000
NG Orifice Outer Ring	#30
NG Orifice Inner Ring	#41
LP Orifice Outer Ring	#49
LP Orifice Inner Ring	#53



LOCATING THE POWER BURNER

This gas appliance is designed and certified for outdoor use only. Do not locate this Power Burner under overhead combustible surfaces. Do not operate the Power Burner inside a building, garage, recreation vehicle or any enclosed area. CAUTION should be taken when grills are used near glass, vinyl siding or other temperature sensitive construction materials. In some cases it may be necessary to increase the clearance around the grill to avoid damage to vinyl siding. Check with the manufacturer of the siding material for details. When choosing an area, consider exposure to wind, proximity to traffic paths and length of gas supply line. Keep gas supply lines as short as possible to reduce pressure drop. Keep the Power Burner away from windy area but keep the Power Burner in a well-ventilated area. Do not obstruct the flow of combustion and ventilation air around the Power Burner. The supporting edges of the Power Burner must be located level and flat. The counter should also be leveled.

CLEARANCE TO COMBUSTIBLE CONSTRUCTION

A minimum clearance of 12” from the sides and 6” from the back of the Power Burner to adjacent vertical combustible construction must be maintained.

DÉGAGEMENT DE TOUTE CONSTRUCTION COMBUSTIBLE

Il faut maintenir une distance minimum de 12 po (30.48 cm) sur les côtés et de 6 po (15.24 cm) sur l'arrière du gril par rapport aux constructions combustibles verticales adjacentes.

CLEARANCE TO NONCOMBUSTIBLE CONSTRUCTION

A minimum clearance of 1” from the back of the Power Burner above cooking surface to non-combustible construction is required.

A minimum of 1” clearance to the sides of the Power Burner above cooking surface to non-combustible construction is recommended. The Power Burner can be installed directly next to non-combustible construction below the cooking surface.

DÉGAGEMENT DE TOUTE CONSTRUCTION INCOMBUSTIBLE

Une distance minimum de 1 po (2.54 cm) de l'arrière du Puissant Bruleur au-dessus de toute surface de cuisson à la construction incombustible est prescrite. Une distance minimum de 1 po (2.54 cm) des côtés du Puissant Bruleur au-dessus de la surface de cuisson à la construction incombustible est recommandée. Le Puissant Bruleur peut être installé directement à proximité d'une construction incombustible en-dessous de la surface de cuisson.



GAS SAFETY REQUIREMENTS

Each appliance is set and tested at the factory for the type of gas supply to be used. Identify the type of gas, either natural gas or LP gas and make sure that the marking on the data plate (rating plate) matches the gas being supplied to the Power Burner. The data plate is located on the panel behind the control panel of the Power Burner. Remove the drip pan to visually access the nameplate label from the front of the Power Burner. A second label with model number and serial number is located under the right side of the control panel.

All gas connections should be made by a qualified technician and in accordance with local codes and ordinances. The installation must conform with local codes or, in the absence of local codes, with either the *National Fuel Gas Code, ANSI Z223.1/NFPA 54, Natural Gas and Propane Installation Code, CSA B149.1 or Propane Storage and Handling Code, B149.2*

WARNING:

CHECK TO ENSURE THAT THE GAS SUPPLY HOSE DOES NOT COME IN CONTACT WITH ANY HOT SURFACE OF THE POWER BURNER.

NEVER CONNECT THE POWER BURNER TO AN UNREGULATED GAS SUPPLY.

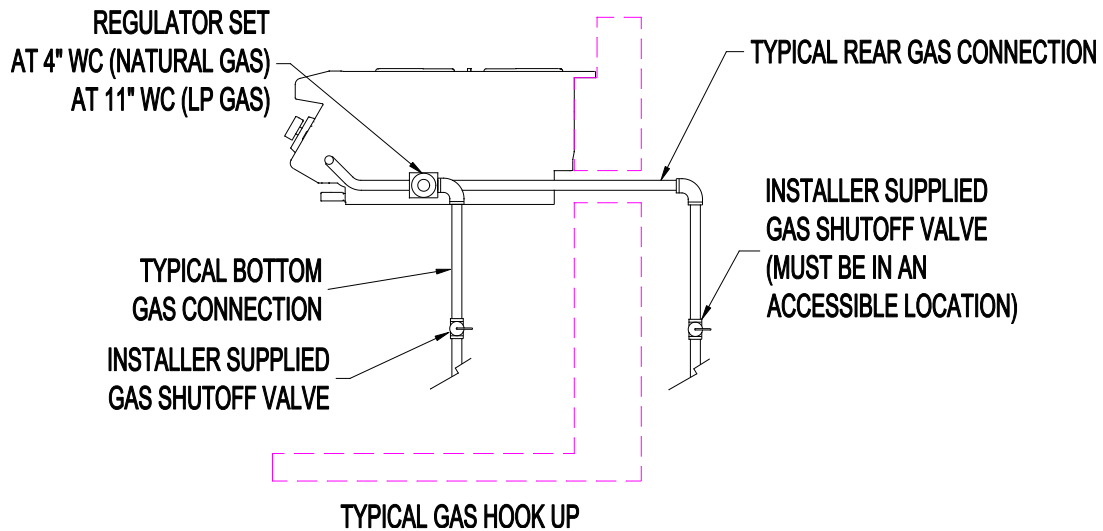
L.P. GAS SAFETY REQUIREMENT

The LP-gas supply cylinder must be constructed and marked in accordance with the *Specifications for LP-gas Cylinders* of the U.S. Department of Transportation (D.O.T.) or the National Standards of Canada *CAN/CSA-B339, Cylinders, Spheres and Tubes for the Transportation of Dangerous Goods, and Commission*, as applicable; and

1. Provided with a listed overfilling prevention device.
 2. Provided with a cylinder connection device compatible with the connection for outdoor cooking appliances.
- It must be provided with a shut-off valve terminating in gas tank valve outlet. It must include a collar to protect the cylinder valve. The cylinder supply system must be arranged for vapor withdrawal.
 - Do not operate the gas grill indoors or in any enclosed area. If the gas grill is not in use, the gas must be turned off at the supply cylinder. If the grill is to be stored indoors, disconnect the gas supply cylinder and leave the cylinder outdoors out of reach of children and must not be stored in a building, garage or any other enclosed area.



LP GAS HOOK-UP



CAUTION: Provide adequate ventilation holes in the enclosure for safety purposes in the event of a gas leak.

A typical LP gas installation is shown on the right. Make sure that the factory-supplied regulator is used and installed with the arrow mark on the regulator pointing towards the Power Burner. Do not use any replacement regulator other than that specified by Twin Eagles. Use only pipe sealants that are approved for use with natural and LP gases. An installer-supplied gas shutoff valve must be installed in an accessible location. (Reference: page 6 for leak test procedure). **Although LP gas cylinder may be used, it is not recommended due to the large amount of gas consumption of the unit and will freeze up the LP gas cylinder**

Note: An enclosure for LP gas cylinder must be vented on the level of the cylinder valve and at floor level. The effectiveness of the opening(s) for purposes of ventilation shall be determined with the LP gas supply cylinder in place. This shall be accomplished by one of the following:

- a. *One side of the enclosure shall be fully open; or*
- b. *For a cylinder enclosure having four sides, a top and a bottom, and intended for installation in a built-in enclosure:*
 1. *At least one ventilation opening shall be provided on the exposed exterior side of the enclosure located within 5 in (1.27mm) of the top of the enclosure and unobstructed. The opening(s) shall have a total free area of not less than 1 in²/lb (14.2 cm²/kg) of stored fuel capacity.*
 2. *At least one ventilation opening shall be provided on the exposed, exterior side of the enclosure 1 in (25.4 mm) or less from the floor level and shall have a total free area of not less than ½ in²/lb (7.1 cm²/kg) of stored fuel capacity. The upper edge shall be no more than 5 in (127 mm) above the floor level.*
 3. *Every opening shall have a minimum dimension so as to permit the entrance of 1/8 in (3.2 mm) rod.*

! WARNING !

- DO NOT STORE SPARE LP-GAS CYLINDER UNDER OR NEAR THIS APPLIANCE.
- NEVER FILL THE CYLINDER BEYOND 80 PERCENT FULL.
- FAILURE TO DO SO A FIRE CAUSING DEATH OR SERIOUS INJURY MAY OCCUR.
- USE ONLY A 20-lbs (5 GALLON CAPACITY) GAS CYLINDER
- DO NOT USE A DENTED OR RUSTED LP CYLINDER
- NEVER USE A CYLINDER WITH A DAMAGED VALVE
- ALWAYS CHECK FOR LEAKS AFTER CHANGING THE LP CYLINDER
- THE LP REGULATOR AND HOSE SUPPLIED WITH THIS UNIT MUST BE USED WITHOUT ALTERATION



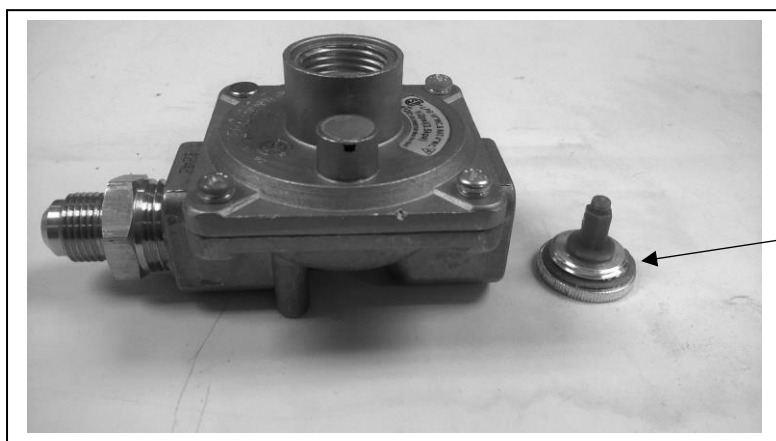
NATURAL GAS HOOK-UP

The installation must conform with local codes or, in the absence of local codes, with either the *National Fuel Gas Code, ANSI Z223.1/NFPA 54, Natural Gas and Propane Installation Code, CSA B149.1 or Propane Storage and Handling Code, B149.2.*

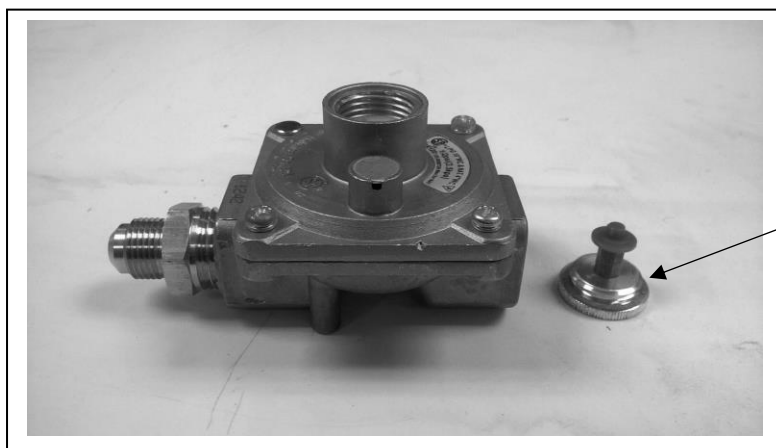
1. This gas appliance and its individual shutoff valve must be disconnected from the gas supply piping system during any pressure testing of that system at the test pressures in excess of 1/2 psi (3.5 kPa).
2. This appliance must be isolated from the gas supply piping system by closing its individual manual shutoff valve during any pressure testing of the gas supply piping system at test pressures equal to or less than 1/2 psi (3.5 kPa).

If the gas Power Burner is factory built for natural gas, the regulator supplied is set for 4" water column. The regulator is convertible to 10 in wc (2.49 kPa) water column for system LP application. Do not use with a 20-lb LP cylinder. Make sure that the regulator is set for natural gas. To check, remove the brass hex cap. You will find the conversion plastic pin attached to the cap to the underside of the cap. If the disc (1/2 in. diameter) of the pin is close to the cap, then the regulator is set for natural gas. If the disc is at the tip of the pin, away from the brass cap, the regulator is set for system LP application. To convert to natural gas, remove the plastic conversion pin and invert and replace it back in a manner such that the disc is close to the brass cap. For both natural and LP, the maximum inlet pressure is 14 in wc (3.5 kPa).

Make sure that the factory-supplied regulator is used and installed with the arrow mark on the regulator pointing towards the gas Power Burner. Do not use any replacement regulator other than that specified by Twin Eagles. Use only pipe sealants that are approved for use with natural and LP gases. An installer-supplied gas shutoff valve must be installed in an accessible location.



REGULATOR IS SET
TO NATURAL GAS



REGULATOR IS SET
TO LP GAS



LEAK TEST

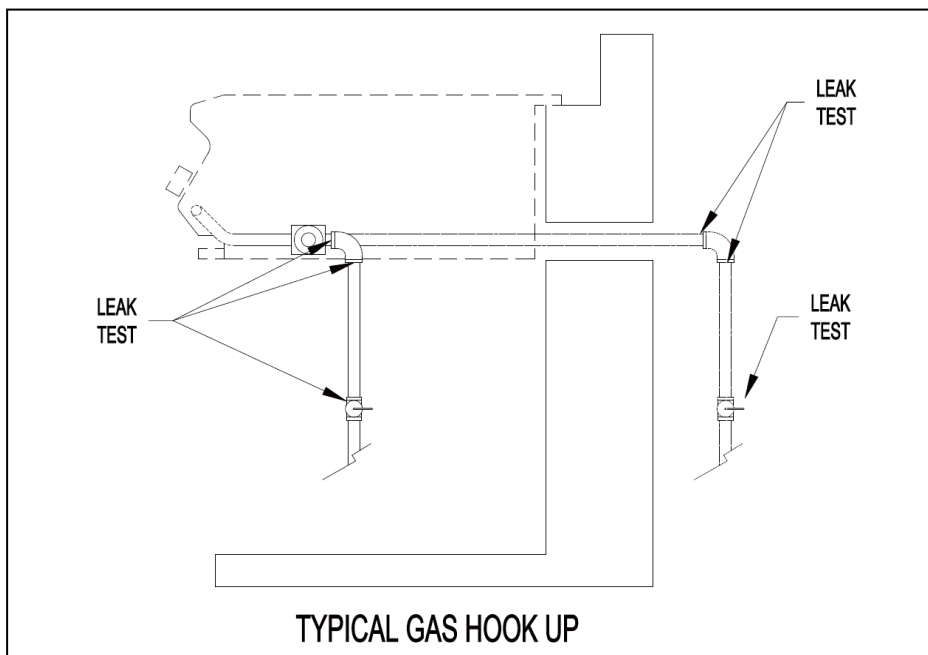


CAUTION BEFORE LIGHTING

- Finding and/or fixing a gas leak is NOT a “DO IT YOURSELF” procedure.
- NEVER USE THE POWER BURNER WITHOUT FIRST LEAK TESTING THE GAS CONNECTIONS
- WARNING: DO NOT USE AN OPEN FLAME TO CHECK FOR LEAKS. USE OF AN OPEN FLAME COULD RESULT IN A FIRE, EXPLOSION, AND BODILY HARM.
- DO NOT SMOKE WHILE PERFORMING THE LEAK TEST!
- To prevent fire or explosion hazard, DO NOT use or permit sources of ignition in the area while performing a leak test. Perform leak test outdoors only.
- Check to ensure that flexible hose do not have any cuts and wear that may affect the safety before each use. Only the factory supplied regulator must be used. Use only replacement regulator specified by Twin Eagles.

LEAK TEST

1. Prepare a leak testing solution of sudsy water by mixing in a spray bottle with half liquid soap and half water.
2. Confirm that all control knobs are in the OFF position.
3. Turn the main gas valve ON.
4. Apply leak testing solution by spraying on the pipe joints, fitting, and hose.
5. A gas leak is detected if,
 - a. There is a faint gas smell and/or...
 - b. ...growing bubbles appear on any of the connection points and/or hose, DO NOT attempt to ignite Power Burner and IMMEDIATELY turn off the gas supply valve.
6. When there is a gas leak, call a qualified service technician. DO NOT use the Power Burner until the leak is corrected.



BURNER FLAME / AIR SHUTTER ADJUSTMENT

Each grill burner is tested and adjusted at the factory prior to shipment; however, variations in the local gas supply may make it necessary to adjust the burners. The flames of the U-burners should be visually checked. Flames should be blue and stable with little to no yellow tips, no excessive noise or lifting. If any of these conditions exist, remove the burner and check to see if any air shutter or burner ports are blocked by dirt, debris, spider webs, etc. if it is clear, the air shutter may need to be adjusted.

ADJUSTING THE GRILL BURNER FLAME - The amount of air is controlled by a sheet metal cup at the inlet of the burner called an air shutter. It is locked in place by a set screw which must be loosened prior to lighting the burner for adjustment. The air shutter adjustment screws are accessible with a phillips screwdriver. Loosen the lock screw of the air shutter. Adjust according to the following directions. **Be careful as the burner may be very hot.**

- If the flame is yellow, indicating insufficient air, turn the air shutter counter-clockwise to allow more air to the burner.
- If the flame is noisy and tends to lift away from the burner, indicating too much air, turn the air shutter clockwise.

Remember to tighten the set screw prior to re-installing the burner.

ENSURE THAT THE BURNERS ARE SITTING PROPERLY ON THE ORIFICES BEFORE LIGHTING THE BURNERS.



ELECTRICAL REQUIREMENTS

The appliance should only be taken apart by a qualified technician, or electrical shock may occur. It is rated at 120V, 60Hz, and 2.2A.

REMINDER:

Keep any electrical supply cord and the fuel supply hose away from any heated features.

WARNING

Electrical Grounding Instructions:

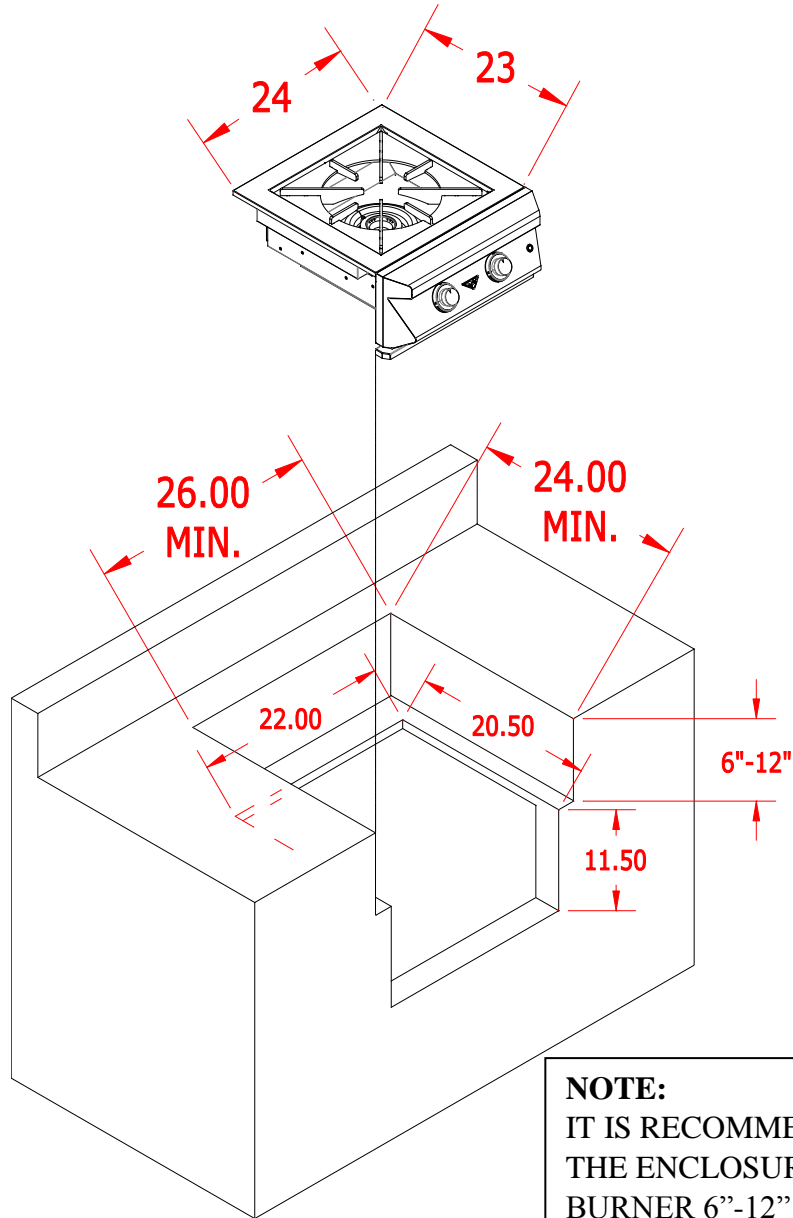
This outdoor gas cooking appliance is equipped with a three prong (grounding) plug for your protection against shock hazard and should be plugged directly into a properly grounded three prong outlet. Do not cut or remove the third prong from this plug.

Electrical equipment provided with the outdoor cooking appliance shall follow these guidelines:

1. To protect against electrical shock, do not immerse cord or plugs in water or other liquid;
2. Unplug from the outlet when not in use and before cleaning. Allow to cool before putting on or taking off parts;
3. Do not operate any outdoor cooking gas appliance with a damaged cord, plug, or after the appliance malfunctions or has been damaged in any manner. Contact the manufacturer for repair;
4. Do not let cord hang over the edge or touch hot surfaces;
5. Do not use an outdoor cooking gas appliance for purposes other than intended;
6. When connecting, first connect plug to the outdoor cooking gas appliance then plug appliance into outlet;
7. Use only Ground Fault Interrupter (GFI) protected circuit with this outdoor cooking gas appliance;
8. Never remove the grounding plug or use with an adapter of two prongs; and
9. Use only extension cords with three prong grounding plug, rated for the power of the equipment, and approved for outdoor use with a W-A marking.



CUT-OUT DIMENSIONS



NOTE:

IT IS RECOMMENDED TO BUILD THE ENCLOSURE FOR THE POWER BURNER 6"-12" **LOWER** THAN THE COUNTERTOP.

WARNING: The Power Burner must be installed in a **NON-COMBUSTIBLE ENCLOSURE ONLY.**



OPERATING INSTRUCTIONS

BEFORE LIGHTING THE POWER BURNER

DO NOT ATTEMPT TO LIGHT THE POWER BURNER IF YOU SMELL GAS

- **WARNING! IT IS CRITICAL THAT THE GAS BURNER IS PROPERLY INSTALLED WITH THEIR ORIFICES INSIDE THE BURNERS AIR SHUTTERS. If not properly installed, gas may leak outside of the burner that could lead to fire, potential damage to your Power Burner and bodily injury.**
- Inspect the gas supply piping or hose prior to turning the gas ON. If there is evidence of cuts, wear, or abrasion, it must be replaced prior to use. The replacement pressure regulator and hose assembly must be the type specified by the manufacturer. Do not use the Power Burner if the odor of gas is present. The pressure regulator and hose assembly supplied with the units must be used.
- If the unit is LP, screw the regulator and hand tighten to the valve of the cylinder and leak check the hose and regulator connections with a soap and water solution before operating the Power Burner. Reference page 6 for leak test procedure.
- Always keep your face and body as far away as possible when lighting.
- Refer to spiders and insects warning and procedure under the cleaning and maintenance page of this manual.

TO LIGHT THE POWER BURNER'S BURNER

Lighting the Power Burner

1. Open the gas supply shut-off valve.
2. Push in the knob and verify that the hot surface igniter glows. If the igniter does not glow, verify for proper power supply. (Reference page 8 for electrical requirements).
3. Once the glowing is verified for 5 seconds simultaneously push-in and turn the knob counter-clock-wise to the biggest flame marking on the bezel. Hold the knob pushed in for 5 seconds. Once you see or hear a flame you can release the knob.



CAUTION: If ignition does not take place within 5 seconds, turn knob to the OFF position, wait for five minutes and repeat step 3.

Match/BBQ Lighter Lighting Instructions:

If there is no electrical power supply available or if hot surface igniter will not light the burner, the burner can be lit manually using a lighted long match, taper or BBQ lighter.

1. Push and turn the knob counter-clock-wise to the biggest flame marking on the bezel. Hold the knob pushed in for 5 seconds.
2. Insert a lit match or BBQ lighter thru the grates and near the top of the burner. Once you see or hear a flame you can release the knob.

Important: If burner fails to light within 5 seconds, turn off gas and wait 5 minutes before repeating the process.

Warning: If you smell gas, shutoff the gas supply and immediately check for leaks using the soapy water technique outlined in the Leak Test section (Pg 6).



CLEANING AND MAINTENANCE

General Overview

Proper care, maintenance, and cleaning will help ensure a long life of your Power Burner. Periodic cleaning will help avoid accumulations of flammable grease, fats, and other debris.

Caution: *Always allow the Power Burner to cool before cleaning.*

Stainless Steel & General Product Care

To keep your Power Burner free of surface corrosion and in good working order, it is important to take additional precautions under certain conditions.

If your Power Burner is located in corrosive conditions, such as:

- A coastal environment where corrosive salty air is present
- Near a swimming pool, hot tub or water feature with exposure to corrosive pool chemicals and/or chlorinated water
- Areas where muriatic acid (hydrochloric acid) or other corrosive cleaning solutions are used to clean concrete and masonry
- Areas where corrosive masonry dust and debris are created by cutting stone or mixing cements

These conditions can create a highly corrosive environment that will cause the corrosion resistant type 304 stainless steel to develop surface oxidation, corrosion or rust.

TWIN EAGLES products have been tested in saline solutions, highly chlorinated solutions and have been tested against exposure to highly acidic foods. The test results proved the type 304 stainless steel can withstand exposure over prolonged periods of time. However, the conditions outlined above, along with neglect, can lead to surface corrosion or rust.

ATTENTION:

- Do not allow food particles or grease to be left on the surfaces of the Power Burner. These can attract rodents, which are unsanitary and are likely to cause physical damage by chewing on the wiring, which can cause permanent damage to the electrical components.
- Specks of grease can gather on the surface of the stainless steel and get baked-on. These can be removed by using a mild abrasive pad with a stainless steel cleaner. Use the mildest cleaner and always scrub in the direction of the grain. **Do not use steel wool to clean any surfaces on the Power Burner.**
- In the event that surface corrosion has developed on the stainless steel, it is typically not the stainless steel that is corroding but corrosive particles that have been deposited on the surface.

WARNING:

It is recommended that your TWIN EAGLES products be kept dry and covered when not in use. This is even more important when long-term storage is intended.

If you are located along the coast or in the desert, wind driven sand is extremely abrasive and can pit and scratch the stainless steel. Keep your TWIN EAGLES products covered when not in use.

KEEP IN MIND:

TWIN EAGLES products are made of all welded stainless steel. It is non-rusting and non-magnetic. Never clean the stainless steel when it is hot. After the initial use, certain areas of the Power Burner may discolor. This is a normal discoloration caused by the stainless steel being exposed to high heat.



GRATES

Round Grates

- The easiest way to clean the grates is to scrub them with a barbeque brush immediately after cooking is completed and the flame is turned off.
- Wear a barbeque mitt to protect your hands from the heat and steam. Dip a brass bristle barbeque brush in tap water and scrub the hot grates. Dip the brush frequently in tap water. Steam, created as water comes in contact with the hot Power Burner, helps loosen food particles stuck in the Power Burner. These food particles will either get burned or fall into the cleaning pan. Cleaning of the Power Burner would be longer and more difficult if the Power Burner grates are allowed to cool before cleaning.



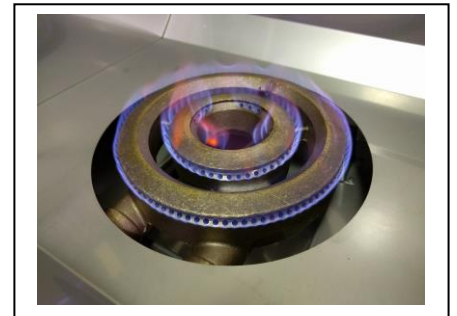
Heavy Duty Grate

Use warm water and soap to clean the heavy duty grates. Use non-abrasive sponge to clean off the food particles.



BURNERS

Burners are made of heavy gauge brass and can be cleaned using a bristle brush, warm water and soap. Check every port hole for clogs. Use a wire pin to clean out clogged ports. Make sure the burner is dry before installing it back to the Power Burner.



DRIP PAN

The drip pan collects grease, liquid and fallen food particles. Allow the pan and its contents to cool before cleaning. Slide the pan out and wipe it clean. Make sure the drip pan is fully inserted back into the Power Burner. It is highly recommended to clean the pan after every use to avoid any possibility of a grease fire. **DO NOT** use the Power Burner without the drip pan pushed all the way to the back of the Power Burner unit.



SPIDER AND INSECT WARNING

Spiders and other insects can nest in the burners and orifices of this and any other outdoor products, which causes the gas to flow from the front of the burner. This can create a dangerous condition that can cause a fire behind the valve panel, damaging the Power Burner and making it unsafe to operate.

Inspect the burners once a year, or if the Power Burner has not been used for more than a month or if any of the following conditions occur:

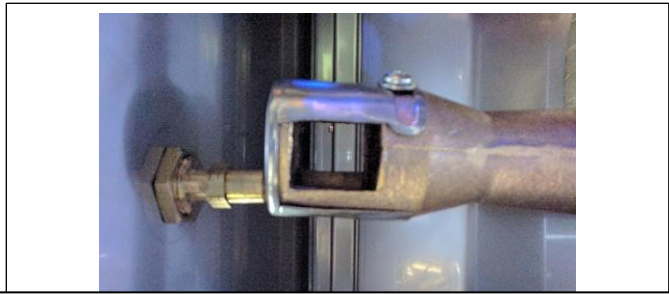
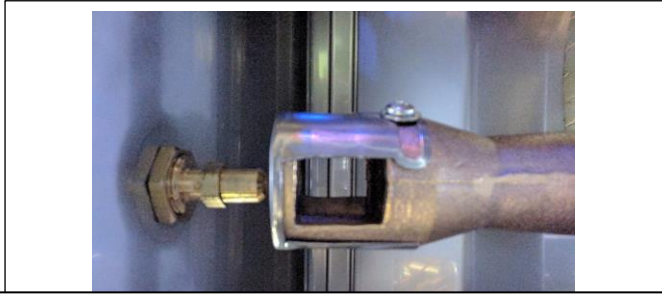
1. **The smell of gas in conjunction with the burner flames appearing yellow.**
2. **The burner does not reach temperature.**
3. **The burner heats unevenly.**
4. **The burner makes popping noise.**



BURNER INSTALLATION CHECK

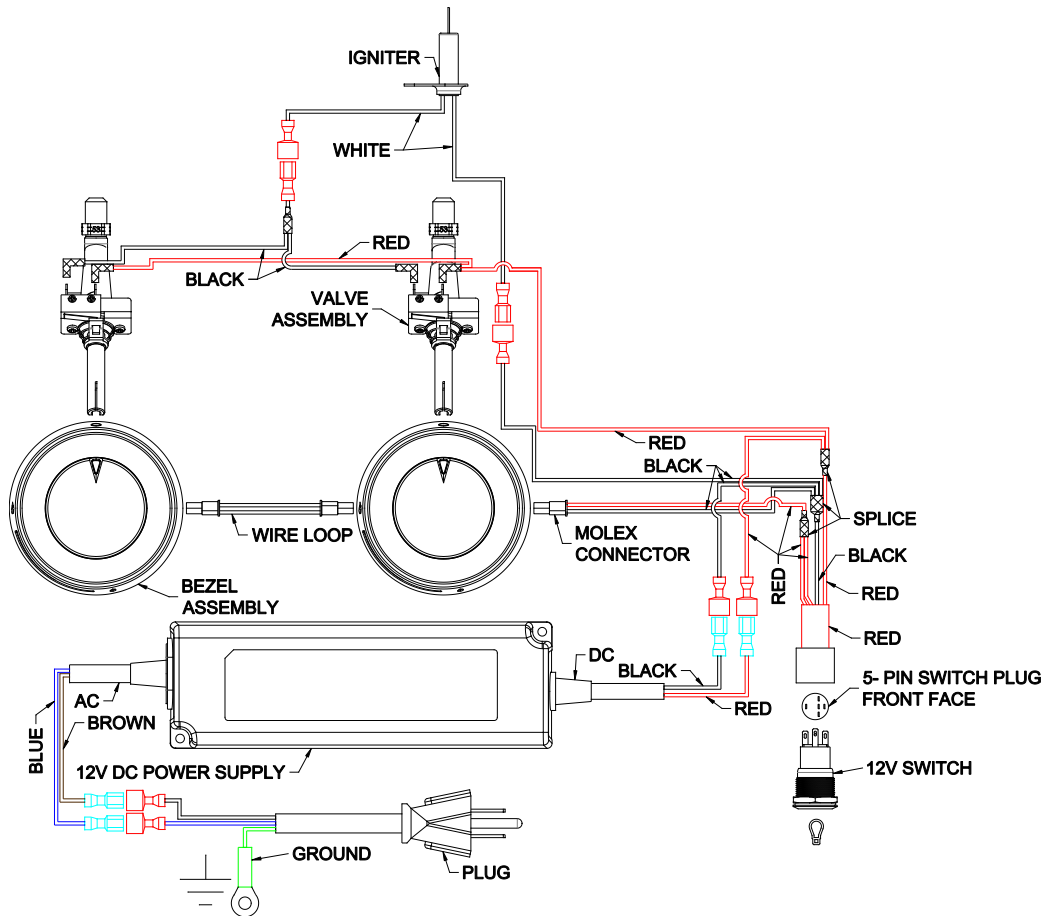


CORRECT INSTALLATION
THE ORIFICE IS COMPLETELY
INSERTED INTO THE VENTURI



INCORRECT INSTALLATION
THE ORIFICE IS OUT OF POSITION AND IS NOT INSERTED INTO THE VENTURI

ELECTRICAL DIAGRAM



REPLACEMENT PARTS LIST

Item No.	Part Number	Description	TEPB24HG -CN	TEPB24HG -CL	TEPB24- CN	TEPB24- CL
1	S22321	Power Burner Cover	1	1	1	1
2	S22330Y	Heavy Duty Grate	1	1	-	-
3	S13362Y	Brass Burner	1	1	1	1
4	S14289	Brass Bushing	1	1	1	1
5	S16322Y	Hot Surface Igniter	1	1	1	1
6	S22309	Top Trim	1	1	1	1
7	S22341Y	Flame Diverter	1	1	1	1
8	S13117	Cover Handle	1	1	1	1
9	S22315Y	Drip Pan Assembly	1	1	1	1
10	S13892	Round Middle Grate	-	-	1	1
11	S13891	Round Grate	-	-	1	1
12	S14420	Roller Bearing	4	4	4	4
13	S15110-30	Center Orifice #30, NG	1	-	1	-
14	S15110-41	Outside Orifice #41, NG	1	-	1	-
15	S12408	Regulator, NG	1	-	1	-
16	S16323	Regulator, NG (converted to LP)	-	1	-	1
17	S12762	Manifold Pipe	1	1	1	1
18	S12407	SS Flexible Tubing, .375 x 7	2	2	2	2
19	S12601	Elbow, .375CC x .125FIP	2	2	2	2
20	S15149	Gas Valve With Microswitch	2	2	2	2
21	S12688Y	IR Burner Elbow Assembly	2	2	2	2
22	S16404	Power Supply, LPV-60-12	1	1	1	1
23	S26366Y	Power Supply Bracket	1	1	1	1
24	S16111	Electrical Cord	1	1	1	1
25	S16112	Strain Relief	1	1	1	1
26	S13204	Logo, Twin Eagles	1	1	1	1
27	S14160	Tinnerman Clips	2	2	2	2
28	S26331-24WY	Front Panel Welded Assy.	1	1	1	1
29	S16196	12V Switch, Illuminated, 19mm, Blue	1	1	1	1
30	S13270	Light Bezel	2	2	2	2
31	S13224	Bezel Glass	2	2	2	2
32	S13226	Rubber Retention Ring	2	2	2	2
33	S13235	Knob Assembly	2	2	2	2
Non-Shown Parts						
	S15110-49	Center Orifice, #49, LP	-	1	-	1
	S15110-53	Outside Orifice, #53, LP	-	1	-	1
	S16403	Power Burner Wire Harness	1	1	1	1
	S16300	Wire Harness, Igniter to Switch	1	1	1	1



TROUBLESHOOTING GUIDE

BEFORE CALLING FOR SERVICE:

If your Twin Eagles Power Burner does not function properly, use the following troubleshooting guide before contacting your dealer for service. The troubleshooting guide may save the cost of a service call and the inconvenience of being without your Power Burner.

PROBLEM	WHAT TO DO
Power Burner will not light.	<ol style="list-style-type: none"> 1. Push in the knob and verify that the igniter glow. 2. If the igniter does not glow, verify proper power supply. GFCI 120V. <ol style="list-style-type: none"> a. Purge the line of any trapped air. b. Check if you can match-light the burner. <p>NOTE: It is normal to hear a popping sound when the Power Burner burners are first turned ON.</p>
Burner flame is yellow and gas odor can be smelled.	<ol style="list-style-type: none"> 1. Check the burner inlet for obstruction...ex. Spiders, insects, etc. 2. Check the air shutter for proper adjustment. 3. Check any source of gas leak.
Low heat generated with knob in HI position.	<ol style="list-style-type: none"> 1. Check if the problem is isolated to only one burner. If it appears so, clean the orifice and burner, clearing ports of any obstruction. 2. Check for any bent or kinked fuel hose. 3. Check if the air shutter is properly adjusted. 4. Check for proper gas supply and pressure. 5. Pre-heat Power Burner for 15 minutes. 6. If using LP gas, check for empty tank.
Too much heat.	<ol style="list-style-type: none"> 1. Check for damaged orifice or no orifice. 2. Check for unauthorized regulator adjustment.
Burner blows out	<ol style="list-style-type: none"> 1. Check for any burner defect. 2. Check for proper burner installation. 3. Check if fuel mixture is too lean. 4. Check if gas supply is sufficient. 5. Check if LP tank is empty. 6. Check if the Power Burner location is subject to high winds.
Glow igniter will not turn ON.	<ol style="list-style-type: none"> 1. Check if the unit is plugged into proper voltage (GFCI 120V).
Front panel lights will not turn ON.	<ol style="list-style-type: none"> 1. Check if the unit is plugged into proper voltage (GFCI 120V).





TWIN EAGLES

U S A

INNOVATION AND INSPIRATION ON FIRE™

TWIN EAGLES POWER BURNER WARRANTY

LIMITED TWO YEAR WARRANTY: Twin Eagles warrants the Power Burner to be free from defects in materials and workmanship under normal residential use for a period of two years from the original date of purchase. The actual part will be repaired or replaced, free of charge, with the owner paying for all other costs including labor, shipping and handling.

ONE-YEAR FULL WARRANTY: Twin Eagles warrants the Power Burner and all other components to be free from defects in materials and workmanship under normal residential use for a period of one year from the original date of purchase. Twin Eagles will repair or replace parts found to be defective at no cost to the original purchaser. Warranty service must be performed by a Twin Eagles authorized representative during normal business hours.

NINETY (90) DAY RESIDENTIAL PLUS WARRANTY: This warranty applies to applications where use of the product extends beyond normal residential use such as bed and breakfast inn and private clubs. The actual part will be repaired or replaced, free of charge, with the owner paying for all other costs including labor, shipping and handling. This warranty excludes all commercial locations such as restaurants and food service locations.

WARRANTY LIMITATIONS & EXCLUSIONS

This warranty shall apply only to the products purchased and located in the continental United States and Canada. The warranty coverage begins on the original date of purchase and proof of date of purchase is required. To activate the warranty, we require that you send in the attached warranty registration card. This warranty applies only to the original owner and may not be transferred.

This warranty excludes discoloration, surface scratches, weather and atmospheric related staining, and minor surface rust and oxidation which are normal conditions and are to be expected with any outdoor product. This warranty does not apply to damages resulting from negligence, alteration, misuse, abuse, accident, natural disaster, loss of electrical power to the product for any reason, improper installation or improper operation, unauthorized adjustments or calibrations, dings, dents, scratches, or damages due to harsh cleaning chemicals. This warranty does not apply to commercial use, or to products with altered or removed serial numbers. Display models are generally sold "as is" and are subject to the following warranty exclusions: missing components, scratches, dents and other exterior or cosmetic damages, electrical, gas and ignition system. Twin Eagles shall not be liable for incidental, consequential, special or contingent damages resulting from its breach of this written warranty or any implied warranty.

WARRANTY SERVICE & REPLACEMENT PARTS: Call your authorized selling dealer or call Twin Eagles directly at **800-789-2206**. Be prepared to furnish the following information: Purchaser's name, model and serial number of the Power Burner, date of purchase and the accurate description of the problem. Twin Eagles will not pay for service calls for correcting an installation problem. Owner shall be responsible for proper installation, providing normal care and maintenance, providing proof of purchase upon request and making the Power Burner accessible for service. In the event of any warranty replacement, all removal, replacement, installation and shipping costs are the responsibility of the Power Burner owner.

Some states do not allow limitations on how long an implied warranty lasts, or the exclusions of or limitations on consequential damages. This warranty gives you specific legal rights and you may have other rights, which vary from state to state



HOW TO OBTAIN SERVICE

For service, please contact your TWIN EAGLES dealer or call TWIN EAGLES direct at (800) 789-2206 or (562) 802-3488 or fax (562) 802-3391

Mailing address:
Twin Eagles, Inc.
13259 East 166th Street
Cerritos, CA 90703

Visit us at www.twineaglesgrills.com

Please provide:

- Model number
- Serial Number
- Date of Purchase
- A description of the problem



INNOVATION AND INSPIRATION ON FIRE™

WARRANTY REGISTRATION

Customer Name	Model #
Address	Serial #
City, State	Date Purchased
Zip	Dealer's Name
Phone #	Dealer's Address
e-mail:	

THIS WARRANTY REGISTRATION CARD MUST BE RETURNED WITHIN THIRTY DAYS OF PURCHASED TO PROPERLY ACTIVATE YOUR WARRANTY. THIS INFORMATION IS FOR INTERNAL USE ONLY.
OR YOU MAY REGISTER ONLINE AT <https://www.twineaglesgrills.com/resources/warranty-registration>



Cut
Here

Place
Postage
Here



INNOVATION AND INSPIRATION ON FIRE™

Customer Service
ATTN: Warranty Department
13259 East 166th Street
Cerritos, CA 90703
Fax no. (562) 802-3391

