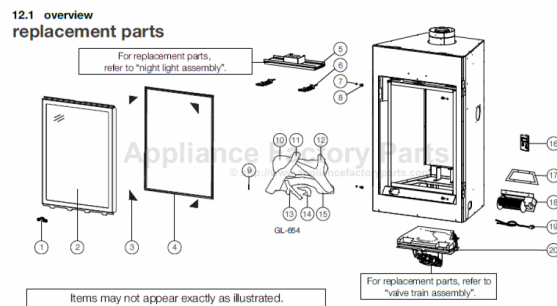


This Owner's Manual is provided and hosted by [Appliance Factory Parts](#).



Napoleon GD82NT-PAE Owner's Manual

[Shop genuine replacement parts for Napoleon
GD82NT-PAE](#)



[Find Your Napoleon Fireplace Parts - Select From 171 Models](#)

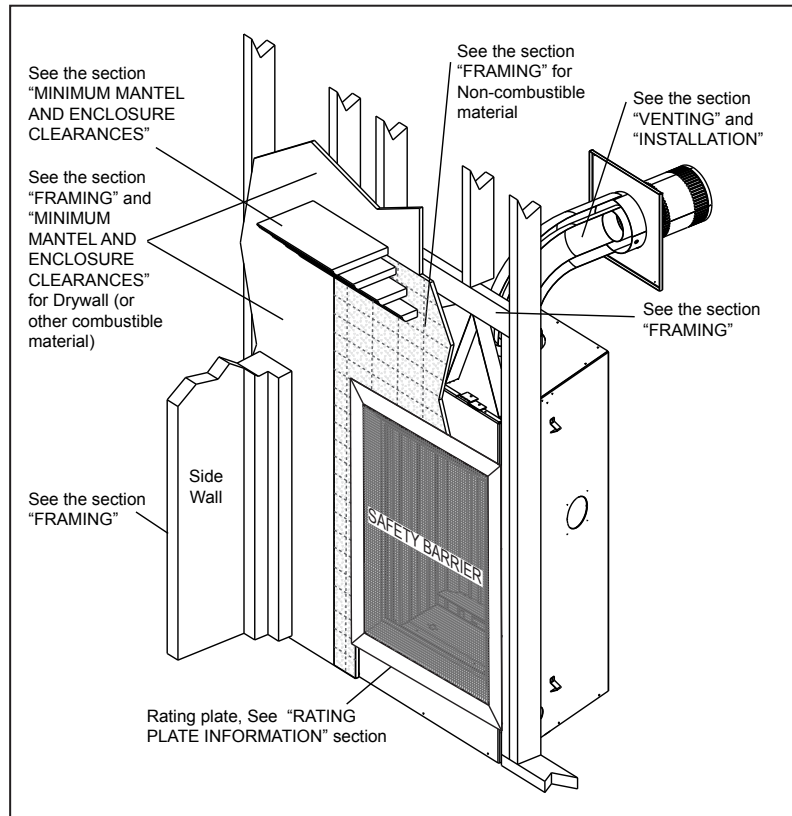
----- Manual continues below -----

PARK AVENUE™ DIRECT VENT GAS FIREPLACE

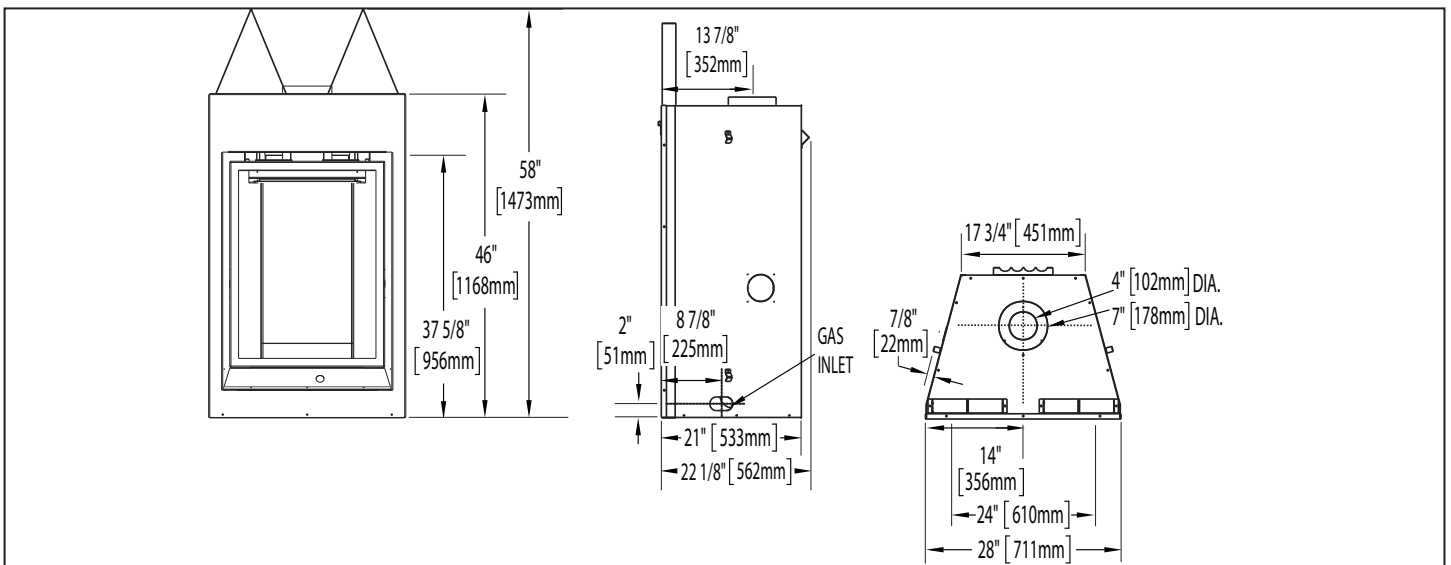
Specifications

Model	BTU	Width		Height		Depth		Glass
		Actual	Framing	Actual	Framing	Actual	Framing	
GD82T-PA	26,000	28	29	58	58 1/4	22 1/8	22 1/2	29 X 22

Overview



Dimensions



PARK AVENUE™ DIRECT VENT GAS FIREPLACE

Framing & Clearances

Minimum Fireplace Clearances

Maintain these minimum clearances to combustibles from appliance and vent surfaces

Non-combustible appliance finishing:

- 4" (102mm) from the sides of the appliance opening
- 22 3/8" (568mm) to the top of the appliance opening

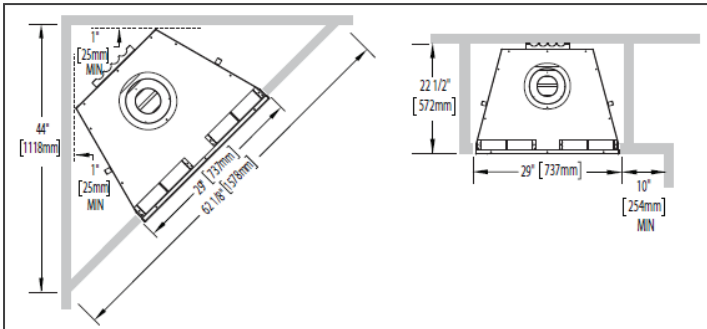
Combustible appliance finishing:

- 0" (0mm) to rear
- 2" (51mm) all around the vent pipe*
- 22 1/2" (572mm) recessed depth
- 64" (1626mm) from the bottom of the appliance to the ceiling
- 72" (1829mm) from bottom of appliance to the enclosure top

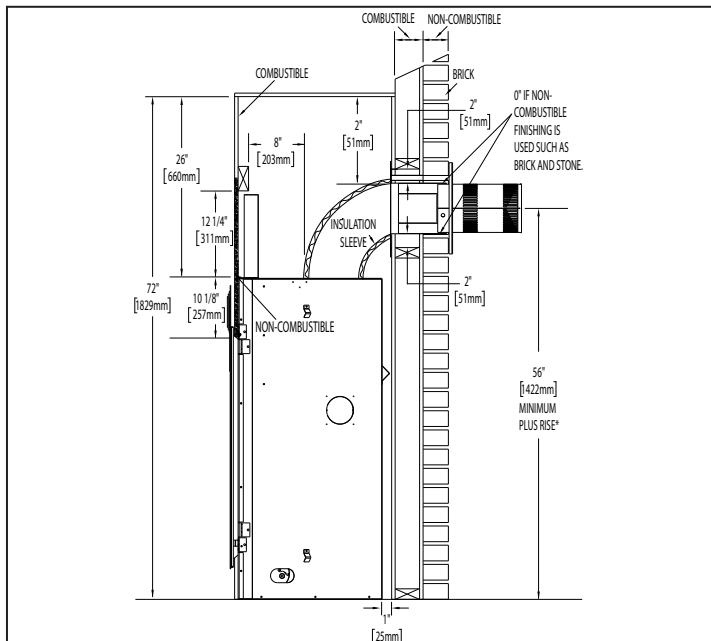
***HORIZONTAL VENT SECTIONS:** A minimum clearance of 2" (51mm) all around the vent pipe on all horizontal runs to combustibles is required. Use firestop spacer W010-1799 (supplied).

***VERTICAL VENT SECTIONS:** A minimum of 1" (25mm) all around the vent pipe on all vertical runs to combustibles is required except for clearances in appliance enclosures. Use firestop spacer W500-0096 (not supplied).

Appliance Location

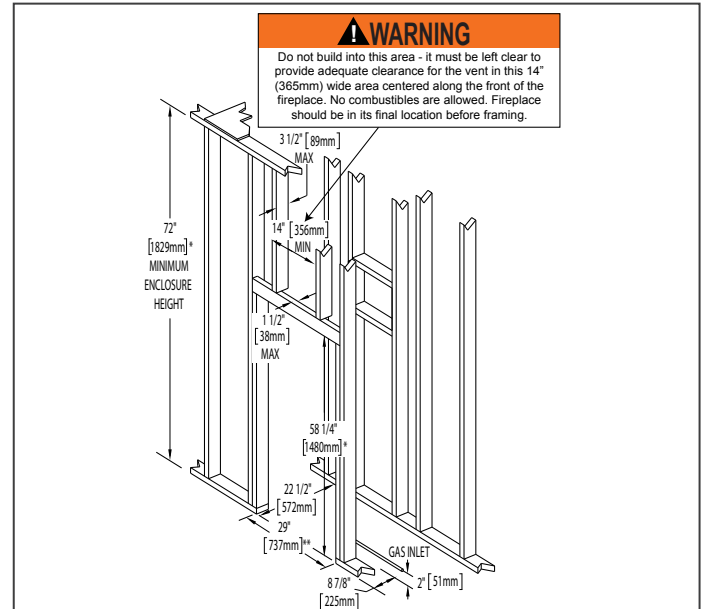


Wall Penetration

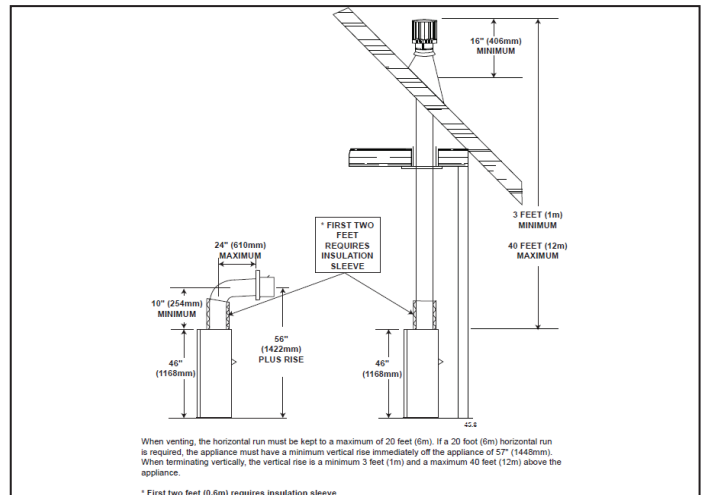


Product information provided is not complete and is subject to change without notice. Please consult the installation manual for the most up to date installation information.

Framing Dimensions



Minimum Vertical Vent Rise



Combustible Mantel Clearances

