

This Owner's Manual is provided and hosted by [Appliance Factory Parts](http://ApplianceFactoryParts.com).



ROYAL SOVEREIGN PFNC-20 Owner's Manual

[Shop genuine replacement parts for ROYAL SOVEREIGN PFNC-20](#)



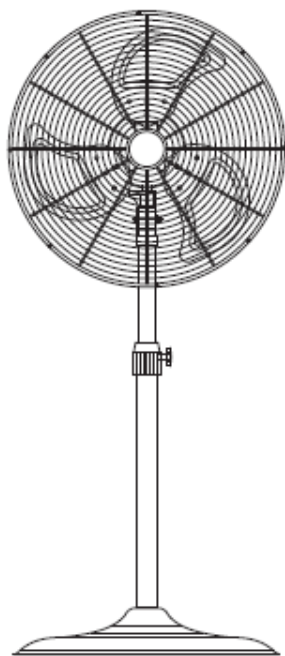
[Find Your ROYAL SOVEREIGN Other Parts - Select From 12 Models](#)

----- Manual continues below -----



Owner's Manual

PFNC-20



20" INDUSTRIAL OSCILLATING PEDESTAL FAN

Please read and retain these instructions

Royal Sovereign International Inc.

Because our products are subject to continuous improvement, Royal Sovereign reserves the right to modify product design and specifications without notice and without incurring any obligation. E&OE

SAFETY INSTRUCTIONS

CAUTION: Read and follow all instructions before operating fan. Do not use fan if any part is damaged or missing.

WARNING:

- To reduce the risk of fire or electrical shock, do not expose to water or rain.
- To reduce the risk of fire or electrical shock, do not use this fan with any solid state speed control device.
- Automatically operated device - To reduce the risk of injury, disconnect from power supply before servicing.
- If the power supply cord is damaged, contact your local service center or a qualified electrician to install an appropriate replacement cord to prevent any injury or damage.
- The appliance does not apply to be used in locations where special conditions prevail, such as the presence of a corrosive or explosive atmosphere (dust, vapour or gas).
- This appliance is not intended for use by persons (including children) with reduced physical, sensory or mental capabilities, or lack of experience and knowledge, unless they have been given supervision or instruction concerning use of the appliance by a person responsible for their safety.
- Children should be supervised to ensure that they do not play with the appliance

ADDITIONAL SAFETY PRECAUTIONS:

1. Never insert fingers or any other objects through the grill guard when fan is in operation.
2. Disconnect the fan from its power source when moving from one location to another.
3. Disconnect the fan from its power source when removing guards for cleaning.
4. Be sure fan is on a stable, flat surface when in operation.
5. Do not use fan in windows. Rain and moisture may create an electrical hazard.
6. Close supervision is necessary when this fan is used near children, the elderly and pets.
7. Do not place the fan near an open flame, cooking or heating appliance, or hot surface.
8. This fan should not be operated outside.

CAUTION: Do not alter the fan's assembly.

WARNING: Be sure that both front and rear guard screws are completely tightened in locking position before operation.

ASSEMBLY INSTRUCTIONS

COLUMN /BASE ASSEMBLY INSTRUCTION

1. Attach COUPLING to the BASE with the 4 screws as shown.
2. Loosen set knob on coupling and extend inner tube to desired height.
3. Slide COVER RING down the OUTER TUBE to rest on top of the BASE.

CAUTION: The set knob must be fully tightened before assembling the fan head to the inner tube.

MOTOR / COLUMN ASSEMBLY INSTRUCTIONS:

1. Set the MOTOR in the hole of the SUPPORTER. Insert the BOLT, WASHER and NUT, then firmly fasten the NUT to lock in place.
2. Insert and fasten the locating screw at the SUPPORTER.

GRILLE / MOTOR ASSEMBLY INSTRUCTIONS:

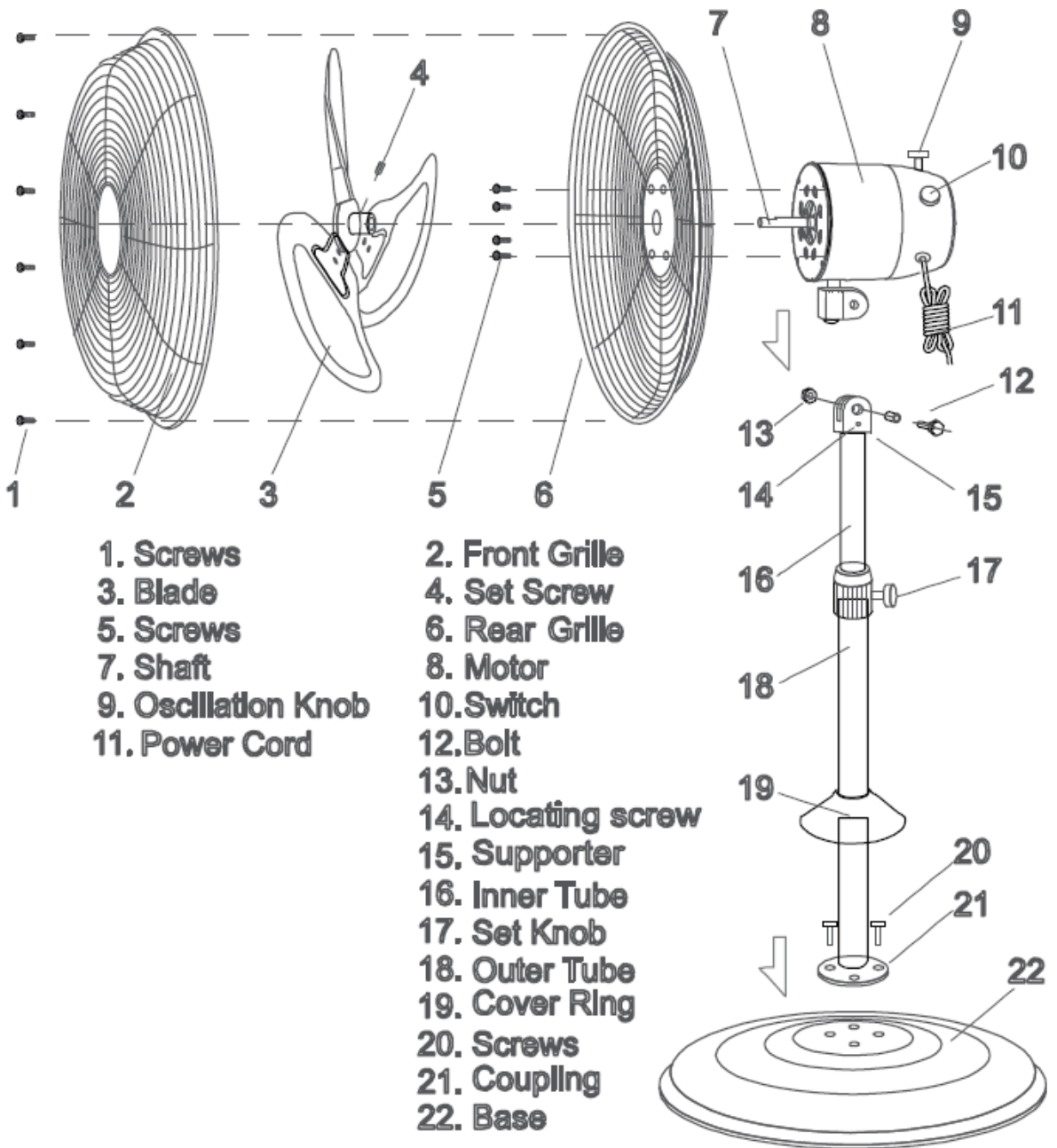
1. Set the REAR GRILLE in its proper position. Please make sure the REAR GRILLE fits securely against the motor housing.
2. Attach the REAR GRILLE by inserting and tightening the screws to the motor.
3. Insert the BLADE on the motor shaft until it reaches a stopping point and the set screw is in line with the flat groove on the motor shaft.

NOTE: Be sure the set screw of the blade is facing the motor of the fan.

4. Securely tighten the BLADE set screw. **CAUTION:** Do not alter the angles of blade.
5. Center the FRONT GRILLE by aligning the logo on the logo plate so it is horizontal and parallel with the floor.
6. Combine the FRONT GRILLE with REAR GRILLE by fastening screws.
7. Completely tighten grille screw on FRONT GRILLE and into REAR GRILLE.

OPERATING INSTRUCTIONS

- TO ADJUST AIRFLOW UPWARD OR DOWNWARD: Tilt fan head to the desired angle. Loosen the LOCATING SCREW first and then loosen the NUT of the SUPPORTER, Tilt fan head to the desired angle then firmly tighten the LOCATING SCREW first and then tighten NUT of the SUPPORTER.
- TO MAKE THE FAN OSCILLATE: Press the knob at the top of the fan head.
- TO STOP THE FAN OSCILLATE: Pull the knob at the top of the fan head.
- SPEED CONTROL: Rotate the SWITCH to 0, 1, 2 and 3 designates OFF, LOW, MEDIUM and HIGH speeds respectively.



CLEANING

WARNING: Unplug from electrical supply source before cleaning.

1. Use soft damp cloth, then wipe with dry cloth.
2. Do not use harmful cleaners to paints or plastics.
3. Do not bend the blades.

IMPORTANT:

Surges in electrical power or excessive heat may cause the fan to turn off. Wait approximately 15 minutes for the fan to resume operation.

SPECIFICATIONS

Model Name	PFNC-20
Fan Size	20"
Settings	High /Middle/Low/OFF
Air Delivery (High)	5600 cfm
Speed (High)	1500 rpm
Decibel (High)	66 dB
Motor	1 /11 HP
Adjustable Height	42-54"
Tilt	Up to 30°
Blade	Aluminum
Amperage (High)	1.65 a
Voltage	120V 60 Hz
Wattage (High)	165 W
Unit (w x h)	21.6" x 54" (adjustable)
Base	19" (Metal Base)
Unit Weight	21.8 lbs

WARRANTY

Royal Sovereign warrants each fan to be free from defects in material and workmanship. Our obligation under this warranty is limited to the repair or replacement, free of charge, when delivered to an authorized Royal Sovereign service center, of any defective part(s) thereof, other than parts damaged in transit. This warranty is in effect to the original purchaser, for a period of one year from the date of purchase and is not transferable. This warranty shall apply only if the fan is used in accordance with the factory provided instructions which accompany it.

EXCLUSIONS

This warranty excludes and does not cover defects, malfunctions or failures of your Royal Sovereign Fan, caused by repairs by unauthorized persons or service centers, mishandling, improper installation, modification or unreasonable use including incorrect voltage, acts of God, or failure to provide reasonable and necessary maintenance. This warranty is in lieu of any and all expressed warranties. In no event shall Royal Sovereign be liable for consequential or incidental damages. This limitation would not apply if you live in a location that does not permit the exclusion of limitation of incidental or consequential damages.

ROYAL SOVEREIGN INTERNATIONAL, INC.

2 Volvo Drive Rockleigh, NJ 07647 USA

TEL : +1) 800-397-1025

FAX : +1) 201-750-1022

www.royalsovereign.com

RS INTERNATIONAL CANADA INC.

191 Superior Blvd., Mississauga, ON L5T 2L6 CANADA

TEL: +1) 905-461-1095 TF: +1) 866 961-6673

FAX: +1) 905-461-1096

www.royalsovereign.ca