

This Owner's Manual is provided and hosted by [Appliance Factory Parts](#).



ROYAL SOVEREIGN RMW-1000-38SS Owner's Manual

[Shop genuine replacement parts for ROYAL
SOVEREIGN RMW-1000-38SS](#)



[Find Your ROYAL SOVEREIGN Microwave Parts - Select From 4 Models](#)

----- Manual continues below -----



Owner's Manual

RMW1000-38SS

MICROWAVE OVEN



Página en Español 9
Page en Français 17

*Please read and retain these instructions.
To register your product, please go to www.royalsovereign.com USA.
Click the Customer Support Tab then Registration Tab.*

www.royalsovereign.com

MICROWAVE OVEN

INTRODUCTION

Thank you for choosing Royal Sovereign microwave oven, RMW1000-38SS. This microwave oven can be set-up in just minutes and easily operated to satisfy your food preparation needs. This manual will provide you information for operation, use, and maintenance. Please take a few moments to read the instructions thoroughly and always follow the precautions.

PRECAUTIONS TO AVOID POSSIBLE EXPOSURE TO EXCESSIVE MICROWAVE ENERGY

1. Do not attempt to operate this oven with the door-open since open-door operation can result in harmful exposure to microwave energy. It is important not to defeat or tamper with the safety interlocks.
2. Do not place any object between the oven front face and the door or allow soil or cleaner residue to accumulate on sealing surfaces.
3. Do not open the oven if it is damaged. It is particularly important that the oven door is closed properly and that there is no damage to the door, hinges and latches, door seals and sealing surfaces.
4. The oven should not be adjusted or repaired by anyone except properly qualified service personnel.

IMPORTANT SAFETY INSTRUCTIONS

When using electrical appliances, basic safety precautions should be followed, including the following:

WARNING: To reduce the risk of burns, electric shock, fire, and injury to persons or exposure to excessive microwave energy:

1. Read all instructions before using the appliance.
2. Read and follow the specific "PRECAUTIONS TO AVOID POSSIBLE EXPOSURE TO EXCESSIVE MICROWAVE ENERGY" on page 2.
3. This appliance must be grounded. Connect only to properly grounded outlet. See "GROUNDING INSTRUCTIONS" on page 5.
4. Install or locate this appliance only in accordance with the provided installation instructions.
5. Some products such as whole eggs and sealed containers -for example, closed glass jars- are able to explode and should not be heated in this oven.
6. Use this appliance only for its intended use as described in this manual. Do not use corrosive chemicals or vapors in this appliance. This type of oven is specifically designed to heat, cook, or dry food. It is not designed for industrial or laboratory use.
7. As with any appliance, close supervision is necessary when used by children.
8. To reduce the risk of fire in the oven cavity:
 - a. Do not overcook food. Carefully attend appliance when paper, plastic, or other combustible materials are placed inside the oven to facilitate cooking.
 - b. Remove wire twist-ties from paper or plastic bags before placing bag in oven.
 - c. If materials inside the oven should ignite, keep oven door closed, turn oven off, and disconnect the power cord or shut off power at the fuse or circuit breaker panel.
 - d. Do not use the cavity for storage purposes. Do not leave paper products, cooking utensils or food in the cavity when not in use.
9. Liquids, such as water, coffee, or tea can be overheated beyond the boiling point without appearing to be boiling due to surface tension of the liquid. Visible bubbling or boiling when the container is removed from the microwave oven is not always present. THIS COULD RESULT IN VERY HOT LIQUIDS SUDDENLY BOILING OVER WHEN A SPOON OR OTHER UTENSIL IS INSERTED INTO THE LIQUID. To reduce the risk of injury to person:
 - 1) Do not overheat the liquid.
 - 2) Stir the liquid both before and halfway through heating it.
 - 3) Do not use straight-sided containers with narrow necks.
 - 4) After heating, allow the container to stand in the microwave oven for a short time before removing the container.
 - 5) Use extreme care when inserting a spoon or other utensil into the container.
10. Do not heat oil or fat for deep-frying. It is difficult to control the temperature of oil in microwave oven.
11. Pierce foods with heavy skins such as potatoes, whole squash, apples and chestnuts before cooking.
12. The contents of feeding bottles and baby jars should be stirred or shaken and the temperature should be checked before serving in order to avoid burns.
13. Cooking utensils may become hot because of heat transferred from the heated food. Potholders may be needed to handle the utensil.
14. Do not cover or block any openings on the appliance.
15. Do not store or use this appliance outdoors. Do not use this product near water; for example, near a kitchen sink, in a wet basement, near a swimming pool, or similar locations.
16. Do not operate this appliance if it has a damaged cord or a plug, if it is not working properly or if it has been damaged or dropped.
17. Do not immerse cord or plug in water.

CONTENTS

PRECAUTIONS TO AVOID POSSIBLE EXPOSURE TO EXCESSIVE MICROWAVE ENERGY	2
IMPORTANT SAFETY INSTRUCTIONS	3
SAVE THESE INSTRUCTIONS	
INSTALLATION GUIDE	5
GROUNDING INSTRUCTIONS	5
UTENSILS GUIDE	6
COOKING TECHNIQUES	8
PART	9
CONTROL	9
OPERATION INSTRUCTIONS	10
QUICK COOK SETTINGS	13
CLEANING AND CARE	14
SPECIFICATIONS	15
WARRANTY	16
CONTACT INFORMATION	16
PAGE EN FRANÇAIS	17

SAVE THESE INSTRUCTIONS

INSTALLATION GUIDE

1. Make sure that all the packing materials are removed from the inside of the door.
2. Check the oven for any damage, such as misaligned or bent door, damaged door seals and sealing surface, broken or loose door hinges and latches and dents inside the cavity or on the door. If there is any damage, do not operate the oven but contact qualified service personnel.
3. This microwave oven must be placed on.
4. Do not place the oven where heat, moisture, or high humidity are generated, or near combustible materials.
5. For correct operation, the oven must have sufficient airflow. Allow 20cm of space above the oven, 10cm at back and 5cm at both sides. Do not cover or block any openings on the appliance. Do not remove feet on which oven stands.
6. Do not operate the oven without glass tray, roller support, and shaft in their proper positions.
7. Make sure that the power supply cord is undamaged and does not run under the oven or over any hot or sharp surface.
8. The socket must be readily accessible so that it can be easily unplugged in an emergency.

GROUNDING INSTRUCTIONS

This appliance must be grounded. In the event of an electrical short circuit, grounding reduces risk of electric shock by providing an escape wire for the electric current.

WARNING: Improper use of the grounding plug can result in a risk of electric shock.

Consult a qualified electrician or serviceman if the grounding instructions are not completely understood, or if doubt exists as to whether the appliance is properly grounded, and either:

- 1) If it is necessary to use an extension cord, use only a 3-wire extension cord that has a 3-blade grounding plug and a 3-slot receptacle that will accept the plug on the appliance. The marked rating of the extension cord shall be equal to or greater than the electrical rating of the appliance, or
- 2) Do not use an extension cord. If the power supply cord is too short, have a qualified electrician or serviceman install an outlet near the appliance.

Electrical Requirements

The electrical requirements are a 120 volt 60 Hz, AC only, 20 amp. It is recommended that a separate circuit serving only the oven be

provided. The oven is equipped with a 3-prong grounding plug. It must be plugged into a wall receptacle that is properly installed and grounded.

Power Supply Cord

1. A short power supply cord is provided to reduce the risks resulting from becoming entangled in or tripping over a longer cord.
2. Longer cord sets or extension cords are available and may be used if care is exercised in their use.
3. If long cord or extension cord is used:
 - a) The marked electrical rating of the cord set or extension cord should be at least as great as the electrical rating of the appliance.
 - b) The extension cord must be a grounding-type 3-wire cord, and The longer cord should be arranged so that it will not drape over the counter top or table top where it can be pulled on by children or tripped over unintentionally.

Notes: If you have any questions about the grounding or electrical instructions, consult a qualified electrician or service person.

Neither the manufacturer nor the dealer can accept any liability for damage to the oven or personal injury resulting from failure to observe the electrical connection procedures.

Radio or TV Interference

Should there be any interference caused by the microwave oven to your radio or TV, check that the microwave oven is on a different circuit, relocate the radio or TV as far away from the oven as feasible or check position and signal of receiving antenna.

UTENSILS GUIDE

This section lists which utensils can be used in the microwave, which ones have limited use for short periods, and which ones should not be used in the microwave.

RECOMMENDED

Microwave browning dish: Use to brown the exterior of small items such as steaks, chops, or pancakes. Follow the directions provided with your browning dish.

Microwaveable plastic wrap: Use to retain steam. Leave a small opening for some steam to escape and avoid placing it directly on the food.

Paper towels and napkins: Use for short-term heating and covering; these absorb excess moisture and prevent spattering. Do not use recycled paper towels, which may contain metal and could ignite.

Glass and glass-ceramic bowls and dishes: Use for heating or cooking.

Paper plates and cups : Use for short-term heating at low temperatures. Do not use recycled paper, which may contain metal and

could ignite.

Wax paper: Use as a cover to prevent spattering.

Thermometers: Use only those labeled "Microwave Safe" and follow all directions. Check the food in several places. Conventional thermometers may be used on microwave food once the food has been removed from the oven.

LIMITED USE

Aluminum foil: Use narrow strips of foil to prevent overcooking of exposed areas. Using too much foil can damage your oven, so be careful. You should keep distance of 1 inch (2.54cm) between aluminum foil and cavity.

Ceramic, porcelain, and stoneware: Use these if they are labeled "Microwave Safe". If they are not labeled, test them to make sure they can be used safely.

Plastic: Use only if labeled "Microwave Safe". Other plastics can melt.

Not Recommended

Glass jars and bottles: Regular glass is too thin to be used in a microwave. It can shatter and cause damage and injury.

Paper bags: These are a fire hazard, except for popcorn bags that are designed for microwave use.

Styrofoam plates and cups: These can melt and leave an unhealthy residue on food.

Plastic storage and food containers: Containers such as margarine tubs can melt in the microwave.

Metal utensils: These can damage your oven. Remove all metal before cooking.

Note: Should you wish to check if a dish is safe for microwaving, place the empty dish in the oven and microwave on HIGH for 30 seconds. A dish which becomes very hot should not be used.

COOKING TECHNIQUES

Your microwave makes cooking easier than conventional cooking, provided you keep these considerations in mind:

Stirring

Stir foods such as casseroles and vegetables while cooking to distribute heat evenly. Food at the outside of the dish absorbs more energy and heats more quickly, so stir from the outside to the center. The oven will turn off when you open the door to stir your food.

Arrangement

Arrange unevenly shaped foods, such as chicken pieces or chops, with the thicker, meatier parts toward the outside of the turntable where they receive more microwave energy. To prevent overcooking, place delicate areas, such as asparagus tips, toward the center of the turntable.

Shielding

Shield food with narrow strips of aluminum foil to prevent overcooking. Areas that need shielding include poultry wing tips, the ends of poultry legs, and corners of square baking dishes. Use only small amounts of aluminum foil. Larger amounts can damage your oven.

Turning

Turn foods over midway through cooking to expose all parts to microwave energy. This is especially important with large foods such as roasts.

Standing

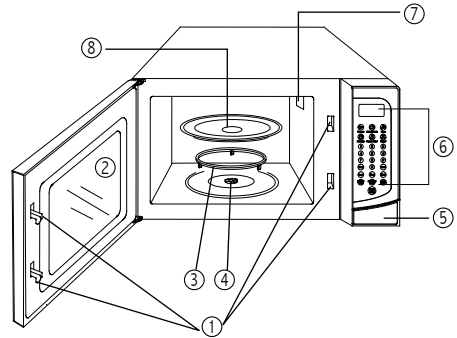
Foods cooked in the microwave build up internal heat and continue to cook for a few minutes after heating stops. Let foods stand to complete cooking, especially foods such as cakes and whole vegetables. Roasts need this time to complete cooking in the center without overcooking the outer areas. All liquids, such as soup or hot chocolate, should be shaken or stirred when cooking is complete. Let liquids stand a moment before serving. When heating baby food, stir well at removal and test the temperature before serving.

Adding moisture

Microwave energy is attracted to water molecules. Food that is uneven in moisture content should be covered or allowed to stand so that the heat disperses evenly. Add a small amount of water to dry food to help it cook.

PARTS

1. Door Safety Lock System
 2. Oven Window
 3. Roller Ring
 4. Shaft
 5. Door Release Button
 6. Control Panel
 7. Wave Guide
 8. Glass Tray
- (Please do not remove the mica plate covering the wave guide)



CONTROL

MENU ACTION SCREEN: Cooking time, power, indicators and present time are displayed.

QUICK COOK BUTTONS: Instant settings to cook popular foods

NUMBER PADS (0-9): Touch to set time or amount.

CLOCK: Touch to set the clock time.

RESET: Touch to clear all previous settings.

POWER: Use to set microwave power levels.

TIMER: Timer functions independently, even while a cooking program is in process.

COOK: Use for multi-stage cooking. It enables cooking at multiple power and time settings automatically.

COOK BY WEIGHT: Programmed cooking based on weight of foods.

DEFROST BY WEIGHT: Programmed defrosting based on the weight of the foods to be defrosted.

SPEED DEFROST: Speed defrost function that alternates defrost and stand times to quickly and effectively defrost foods.

START/STOP: Touch to start or stop cooking.



OPERATION INSTRUCTIONS

SIGNALS DURING OVEN SETTINGS

ONE SIGNAL: Oven accepts the entry.

TWO SIGNALS: Oven does not accept the entry, please check and try again.

Setting the clock

1. Touch CLOCK pad.
2. Use the number pads to enter clock time.
3. Touch CLOCK pad again.

NOTE: This is a 12 hour clock. When the oven is first plugged in or when power resumes after a power interruption, the display will show ENTER CLOCK TIME. If you prefer not to have the clock displayed, touch RESET.

Setting the timer

1. Touch TIMER pad.
2. Enter the amount of time by touching the number pads.
3. Touch START/STOP pad.

NOTE: •The maximum time you can enter is 99 minutes and 99 seconds.

- Time countdown can be seen in display for 5 seconds before clock or cooking time is returned to display.
- Touch TIMER and then touch RESET to cancel TIMER during timing process.

Setting micro. cooking program

A. One-stage Cooking

1. Use the number pads to set a cooking time. The longest cooking time is 99 minutes and 99 seconds.
2. If you want to set a power level other than 100% power, touch POWER, and then use the number pads to enter the power level.
3. Touch START/STOP pad to start cooking.

Use digit to set a cooking power level:

Number pad	1,0	9	8	7	6	5	4	3	2	1	0
Cooking power	100%	90%	80%	70%	60%	50%	40%	30%	20%	10%	0

B. Two-stage Cooking

Some recipes require different stages of cooking at different power levels.

1. SET STAGE 1: Follow steps 1 and 2 in "One-stage Cooking". DO NOT TOUCH START/STOP
2. SET STAGE 2: Touch COOK then enter proper cooking time and (lower) power level.
(Most 2-stage recipes use lower power for second stage.)
3. Touch START/STOP.

NOTE: • After total time elapsed, the system will sound beeps with END in display. And the beeps will continue to sound every two minutes automatically until the door is opened or any pad is touched.

Speed defrost

1. Touch SPEED DEFROST pad.
2. Enter desired defrosting time by touching correct number pads.
3. Touch START/STOP.

NOTE: • After total time elapsed, the system will sound beeps with END in display. And the beeps will continue to sound every two minutes automatically until the door is opened or any pad is touched.

- After setting SPEED DEFROST, oven can be programmed to automatically switch to one or two-stage cooking.
- For speed defrost and one stage cooking, follow steps above. Before touching START/STOP, touch COOK, enter time and power level. Then touch START/STOP.
- For speed defrost and two stage cooking, follow steps above. Before touching START/STOP, enter two-stage cooking programs.

Cook by weight

1. Touch COOK BY WEIGHT.
2. Enter the one digit code by touching the correct number pad (1~3).
3. Enter weight.
4. Touch START/STOP.

Cook By Weight Code Description

CODE	TYPE	MAX WEIGHT
1	Beef	5 lb. 16 oz.
2	Mutton	5 lb. 16 oz.
3	Pork	5 lb. 4 oz.

Note: • Weight must be in pounds and ounces.

- Ounce weights less than 10 must be preceded by a 0. If label gives weight in pounds only, change the fraction of a pound to ounces using the following chart.

Converting Fractions of a Pound to Ounces

Fractions of a pound	Ounces	Fractions of a pound	Ounces
Less than .03	0	.47 to .53	8
.03 to .09	1	.54 to .59	9
.10 to .15	2	.60 to .65	10
.16 to .21	3	.66 to .71	11
.22 to .27	4	.72 to .78	12
.28 to .34	5	.79 to .84	13
.35 to .40	6	.85 to .90	14
.41 to .46	7	.91 to .97	15
		above .97	go to next even

- During cooking, the system will pause automatically and sound to remind user to turn meat over. After that, touch START/STOP to resume cooking.
- After total time elapsed, the system will sound beeps with END in display. And the beeps will continue to sound every two minutes automatically until the door is opened or any pad is touched.

Defrost by weight

1. Touch DEFROST BY WEIGHT pad.
2. Enter weight.
3. Touch START/STOP pad.

NOTE: • Weight must be in pounds and ounces. Ounce weights less than 10 must be preceded by a 0. If label gives weight in pounds only, change the fraction of a pound to ounces by using the chart given above. The maximum weight is 5lb.16oz.

- During defrosting the system will sound to remind user to turn food over.
- After total time elapsed, the system will sound beeps with END in display. And the beeps will continue to sound every two minutes automatically until the door is opened or any pad is touched.

Setting child lock

The safety lock prevents unsupervised operation by children.

To set, press and hold RESET for 3 seconds. Lock indicator will appear on the display, and the oven can not be operated.

To cancel, press and hold RESET for 3 seconds. Lock indicator will disappear.

QUICK COOK SETTINGS

The QUICK COOK settings allow you to cook or reheat food automatically without entering power level or time. For smaller portions, simply touch the applicable pad and start. For larger portions, push the pad twice. FROZEN DINNER, BAKED POTATO and BEVERAGE allow you to cook multiple amounts of the same food.

POPCORN

1. Touch POPCORN.
POPCORN automatically sets the cooking time for a 3.5 oz. bag of microwave popcorn.
2. Touch START/STOP.

NOTE: To change the preset POPCORN time:

1. Touch POPCORN twice.
2. Use number pads to enter minutes and seconds.
3. Touch START/STOP.

BAKED POTATO

- < For potatoes (4 to 6 oz. per entries) >
1. Touch BAKED POTATO pad once.
 2. Enter number of potatoes by touching number pads from 1 to 4.
 3. Touch START/STOP.
- <For the large potatoes (8 to 10 oz. per entries)>
1. Touch BAKED POTATO twice.
 2. Enter number of potatoes by touching number pads from 1 to 4.
 3. Touch START/STOP.

PIZZA

- < Reheating a slice of pizza >
1. Touch PIZZA pad once.
 2. Touch START/STOP.
- < Heating a whole frozen pizza >
1. Touch PIZZA pad twice.
 2. Touch START/STOP.

BEVERAGE

- < For coffee cups (5 to 7 oz. per share) >
1. Touch BEVERAGE pad once.
 2. Enter number of cups by touching number pads from 1 to 4.
 3. Touch START/STOP.
- < For the larger coffee cups (9 to 11 oz. per share) >
1. Touch BEVERAGE twice.
 2. Enter number of cups by touching number pads from 1 to 4.
 3. Touch START/STOP.

FROZEN DINNER

- <For small (7 to 9 oz. per share) frozen dinners>
1. Touch FROZEN DINNER once.
 2. For 1 entree or 2 entrees, touch the number pad "1" or "2"
 3. Touch START/STOP pad.
- Microwaving larger (10 to 12 oz. per share) frozen dinners:
1. Touch FROZEN DINNER twice.
 2. For 1 entree or 2 entrees, touch the number pad "1" or "2":
 3. Touch START/STOP.

REHEAT

- < For a plate of cool food (11 to 14 oz.) >
1. Touch REHEAT pad.
 2. Touch START/STOP.
- NOTE: This setting lets you reheat a dinner plate of chilled leftovers with good results.

CLEANING AND CARE

1. Turn off the oven and remove the power plug from the wall socket before cleaning.
2. Keep the inside of the oven clean. When food splatters or spilled liquids adhere to oven walls, wipe with a damp cloth. Mild detergent may be used if the oven gets very dirty. Avoid the use of spray and other harsh cleaners as they may stain, streak or dull the door surface.
3. The outside surfaces should be cleaned with a damp cloth. To prevent damage to the operating parts inside the oven, water should not be allowed to seep into the ventilation openings.
4. Wipe the window on both sides with a damp cloth to remove any spills or splatters.
5. Do not allow the control panel to become wet. Clean with a soft, damp cloth. When cleaning the control panel, leave oven door open to prevent oven from accidentally turning on.
6. If steam accumulates inside or around the outside of the oven door, wipe with a soft cloth. This may occur when the microwave oven is operated under high humidity conditions. In such case, it is normal.
7. It is occasionally necessary to remove the glass tray for cleaning. Wash the tray in warm sudsy water or in a dishwasher.
8. The roller ring and oven floor should be cleaned regularly to avoid excessive noise. Simply wipe the bottom surface of the oven with mild detergent. The roller ring may be washed in mild sudsy water or dishwasher. When removing the roller ring from cavity floor for cleaning, be sure to replace in the proper position.
9. Remove odors from your oven by combining a cup of water with the juice and skin of one lemon in a deep microwaveable bowl, microwave for 5 minutes. Wipe thoroughly and dry with a soft cloth.
10. When it becomes necessary to replace the oven light, please consult a dealer to have it replaced.
11. The oven should be cleaned regularly and any food deposits removed. Failure to maintain the oven in a clean condition could lead to deterioration of the surface that could adversely affect the life of the appliance and possibly result in a hazardous situation.
12. Please do not dispose this appliance into the domestic rubbish bin, it should be disposed to the particular disposal center provided by the municipalities.

SPECIFICATIONS

Model Name	RMW1000-38SS
Power Consumption:	120V~60Hz, 1450W (Microwave)
Output:	1000W
Operation Frequency:	2450MHz
Outside Dimensions(H×W×D):	12 1/4×21 3/4×17 15/16 (in) / 311×552×456 (mm)
Oven Cavity Dimensions(H×W×D):	9 13/16×14 13/16×15 7/8 (in) / 250×402×403 (mm)
Oven Capacity:	1.34 cu.ft
Cooking Uniformity:	Turntable System
Net Weight:	Approx. 38.1lb. / 17.3Kg

LIMITED 18 MONTHS WARRANTY

This warranty applies to repair or replacement of product found to be defective in material or workmanship for 18 months from the date of the original purchase. This warranty is extended only to the original purchaser.

This warranty does not apply to damage resulting from abuse, misuse, or improper maintenance of damage that is attributable to acts of nature. Royal Sovereign International, Inc. (and its affiliated companies) is not liable for incidental or consequential damages of any nature. This limitation would not apply if you live in those areas that do not permit the exclusion or limitation of incidental or consequential damages.

Defective products for warranty repair or replacement cannot be returned without a Return Authorization number. Please go to www.royalsovereign.com USA-Customer Support Tab to make a request for an Office Product Return Authorization.

Defective products must be returned to Royal Sovereign International Consumer Return Department, freight prepaid, with proof of purchase and Return Shipping and Handling payment (check or money order). Upon repair or replacement the product will be returned to the customer.

Return defective product to the following address with a detailed description of the problem. If possible, pack in original carton. Please prepay shipping charges.

For out of warranty service or frequently asked questions please go to www.royalsovereign.com USA- Customer Support Tab.
For sales of product, parts or accessories please visit us at www.royalfulfillmentcorp.com.
For service or sales please contact your local Royal Sovereign Office:

ROYAL SOVEREIGN INTERNATIONAL, INC.

2 Volvo Drive Rockleigh, NJ 07647 USA
TEL : +1) 800-397-1025 FAX : +1) 201-750-1022

RS CANADA INC.

1025 Westport Crescent, Mississauga On L5T 1E8 CANADA
TEL : +1) 905-461-1095 TF # : +1) 866-961-6673
FAX : +1) 905-461-1096

www.royalsovereign.com

Guide de l'utilisateur

RMW1000-38SS

FOUR À MICRO-ONDES



Página en Español 9
Page en Français 17

*Veillez lire et conserver ces directives.
Pour enregistrer votre produit, veuillez accéder au www.royalsovereign.com USA.
Cliquez sur l'onglet Customer Support (service à la clientèle), puis sur l'onglet Registration (enregistrement)..*

www.royalsovereign.com

FOUR À MICRO-ONDES

INTRODUCTION

Merci d'avoir choisi le four à micro-ondes RMW1000-38SS de Royal Sovereign. Cet appareil se configure en seulement quelques minutes et fonctionne de sorte à répondre à vos besoins en matière de préparation des aliments. Ce manuel contient des renseignements sur le fonctionnement, l'utilisation et l'entretien. Veuillez consacrer quelques instants à la lecture des directives et toujours en prendre les précautions.

PRÉCAUTIONS POUR ÉVITER LES RISQUES D'EXPOSITION EXCESSIVE À L'ÉNERGIE DES MICRO-ONDES

1. Tenter de faire fonctionner le four pendant que le portillon est ouvert peut mener à une exposition dangereuse à l'énergie des micro-ondes. Il est important de ne pas contourner ou altérer les dispositifs de verrouillage de sûreté.
2. N'interposez aucun objet entre la face avant du four et le portillon et ne laissez pas s'accumuler la saleté ou les résidus de nettoyant sur les surfaces d'étanchéité.
3. N'ouvrez pas le four s'il est endommagé. Il est particulièrement important que le portillon du four soit correctement fermé et que ce dernier ainsi que les pentures, les loquets, les joints d'étanchéité du portillon et les surfaces d'étanchéité ne soient pas endommagés.
4. Seul le personnel de service adéquatement formé à cette fin doit régler ou réparer le four.

CONSIGNES DE SÉCURITÉ IMPORTANTES

Lors de l'utilisation d'appareils électriques, des précautions de sécurité élémentaires doivent être prises, dont les suivantes :

AVERTISSEMENT: Pour diminuer les risques de brûlure, de décharge électrique, d'incendie et de blessures corporelles ainsi que l'exposition excessive à l'énergie des micro-ondes :

1. Lisez toutes les directives avant d'utiliser l'appareil.
2. Lisez et suivez les directives « PRÉCAUTIONS POUR ÉVITER L'EXPOSITION EXCESSIVE POSSIBLE À L'ÉNERGIE DES MICRO-ONDES » à la page 2.
3. Cet appareil doit être mis à la terre. Ne le branchez que sur une prise de courant correctement mise à la terre. Reportez-vous à « DIRECTIVES DE MISE À LA TERRE » à la page 5.
4. N'installez ou ne situez cet appareil que conformément aux directives d'installation fournies.
5. Certains produits comme les œufs entiers et les contenants scellés - par exemple, les pots en verre fermés - risquent d'exploser et ne doivent pas être chauffés dans ce four.
6. N'utilisez cet appareil qu'aux fins prévues indiquées dans ce manuel. N'utilisez aucune substance chimique ou vapeur corrosive dans cet appareil. Ce type de four est spécialement conçu pour le réchauffement, la cuisson ou les aliments secs. Il n'est pas conçu pour l'usage industriel ou l'utilisation en laboratoire.
7. Comme pour tout appareil, une surveillance attentive s'impose lors de l'utilisation par les enfants.
8. Pour diminuer les risques d'incendie à l'intérieur du four :
 - a. Ne surcuissez pas les aliments. Surveillez attentivement l'appareil lorsque le four contient du papier, du plastique ou d'autres matières combustibles visant à favoriser la cuisson.
 - b. Retirez les liens torsadés à fil métallique ou les sacs en plastique avant de placer des sacs dans le four.
 - c. Si le contenu du four s'enflamme, gardez le portillon fermé, mettez l'appareil hors fonction et débranchez le cordon d'alimentation ou coupez l'alimentation au panneau de fusibles ou de disjoncteurs.
 - d. N'utilisez pas l'intérieur du four aux fins de rangement. Ne laissez aucun article en papier, ustensile de cuisson ou aliment à l'intérieur du four lorsqu'il n'est pas utilisé.
9. Les liquides, tels que l'eau, le café ou le thé, peuvent être portés au-delà du point d'ébullition sans en donner l'apparence en raison de la tension superficielle du liquide. Le bouillonnement ou l'ébullition n'est pas toujours visible lors du retrait d'un contenant du four. CELA PEUT PROVOQUER UN DÉVERSEMENT PAR ÉBULLITION SOUDAIN DES LIQUIDES TRÈS CHAUDS LORSQU'UNE CUILLER OU UN AUTRE USTENSILE SONT PLONGÉS DANS LE LIQUIDE. Pour diminuer les risques de blessures corporelles :
 - 1) Ne surchauffez pas les liquides.
 - 2) Retirez les liquides avant le processus de réchauffement et à mi-chemin dans le processus.
 - 3) N'utilisez aucun contenant à parois droites comportant un goulot étroit.
 - 4) Après le réchauffement, laissez le contenant refroidir quelques instants dans le four à micro-ondes avant de retirer le récipient.
 - 5) Faites preuve de très grande prudence lors de l'introduction d'une cuillère ou d'un autre ustensile dans le contenant.
10. Ne réchauffez pas de l'huile ou de la graisse destinée à la friture. Il est difficile de contrôler la température de l'huile dans les fours à micro-ondes.
11. Perforez les aliments dont l'enveloppe est épaisse, tels que pommes de terre, courges entières, pommes et marrons, avant la cuisson.
12. Le contenu des biberons et des pots pour bébés doit être remué et agité et sa température vérifiée avant de servir pour éviter les brûlures.
13. Les ustensiles de cuisson peuvent devenir chauds en raison de la chaleur transférée depuis l'aliment chauffé. La manipulation de l'ustensile peut devoir s'effectuer à l'aide de poignées isolées.
14. Ne recouvrez et ne bloquez pas les ouvertures de l'appareil.
15. Ne rangez et n'utilisez pas cet appareil à l'extérieur. N'utilisez pas cet article à proximité de l'eau, par exemple, près d'un évier de cuisine, dans un sous-sol trempé, près d'une piscine ou des endroits semblables.
16. N'utilisez pas cet appareil si le cordon ou la fiche sont endommagés, s'il ne fonctionne pas correctement ou s'il a été endommagé ou a chuté.
17. N'immergez pas le cordon ni la fiche dans l'eau.

TABLE DES MATIÈRES

PRÉCAUTIONS POUR ÉVITER L'EXPOSITION EXCESSIVE POSSIBLE À L'ÉNERGIE DES MICRO-ONDES	18
DIRECTIVES IMPORTANTES EN MATIÈRE DE SÉCURITÉ	19
CONSERVEZ CES DIRECTIVES	
NOTICE D'INSTALLATION	21
DIRECTIVES DE MISE À LA TERRE	21
GUIDE DES USTENSILES	22
TECHNIQUES DE CUISSON	24
PIÈCES	25
COMMANDE	25
DIRECTIVES DE FONCTIONNEMENT	26
RÉGLAGES DE CUISSON RAPIDE	29
NETTOYAGE ET ENTRETIEN	30
FICHE TECHNIQUE	31
GARANTIE	32
COORDONNÉES	32

CONSERVEZ CES DIRECTIVES

NOTICE D'INSTALLATION

1. Veuillez à retirer tout le matériel d'emballage situé derrière le portillon.
2. Vérifiez la présence de tout signe d'endommagement, tel que portillon désaligné ou gauchi, joints et surface d'étanchéité du portillon endommagés, pentures et loquets de portillon brisés ou relâchés et intérieur du four ou portillon bosselé. En cas de dommage, ne faites pas fonctionner le four, mais communiquez plutôt avec du personnel d'entretien/réparation compétent.
3. Ce four à micro-ondes doit être installé sur une surface plane et stable pouvant soutenir son poids et celui des aliments les plus lourds qui pourraient y être cuits.
4. N'installez pas le four près d'une source de chaleur, de moiteur ou d'humidité élevée, ni près des matières combustibles.
5. Le fonctionnement approprié du four exige une circulation d'air suffisante. Maintenez un espacement de 20 cm au-dessus du four, de 10 cm à l'arrière et de 5 cm aux deux côtés. Ne recouvrez et ne bloquez pas les ouvertures de l'appareil. Ne retirez pas les pieds sur lesquels repose le four.
6. Ne faites pas fonctionner le four si le plateau en verre, le support à rouleaux et l'arbre sont mal situés.
7. Assurez-vous que le cordon d'alimentation n'est pas abîmé ni acheminé sous le four ou au-dessus d'une surface chauffante ou tranchante.
8. La prise doit être aisément accessible de sorte à faciliter le débranchement en cas d'urgence.

DIRECTIVES DE MISE À LA TERRE

Cet appareil doit être mis à la terre. Dans le cas d'un court-circuit électrique, la mise à la terre diminue les risques de décharge électrique en offrant une voie de fuite au courant électrique.

AVERTISSEMENT: L'usage inapproprié de la fiche de mise à la terre peut créer un risque de décharge électrique.

Consultez un électricien ou un réparateur compétent en cas d'incompréhension des directives de mise à la terre, ou si vous avez des doutes quant à la mise à la terre appropriée de l'appareil, et pour ce qui suit :

- 1) Si un cordon prolongateur doit être utilisé, ne recourez qu'à un cordon à trois conducteurs doté d'une fiche à trois broches à mise à la terre et d'une prise à trois fentes adaptée à la fiche de l'appareil. La valeur nominale indiquée sur le cordon prolongateur doit équivaloir aux valeurs électriques nominales de l'appareil ou les dépasser, sinon, 2) n'utilisez pas de cordon prolongateur. Si le cordon d'alimentation est trop court, demandez à un électricien ou un réparateur compétent d'installer une prise électrique près de l'appareil.

Exigences électriques

Les valeurs électriques requises sont 120 volts, 60 Hz, c.a. seulement, 20 amp. Il est recommandé d'alimenter le four seul à partir d'un circuit distinct à cette fin. Le four est doté d'une fiche à trois broches à mise à la terre. Elle doit être branchée sur une prise murale correctement installée et mise à la terre.

Cordon d'alimentation

1. Un cordon d'alimentation de courte dimension est prévu pour diminuer les risques d'entremêlement ou de trébuchement qu'entraîne un cordon de plus longue dimension.
2. Des cordons amovibles ou cordons prolongateurs sont disponibles et peuvent être utilisés en faisant preuve de prudence.
3. Dans le cas de l'utilisation d'un cordon plus long ou d'un cordon prolongateur :
 - a) Les valeurs électriques nominales marquées sur le cordon amovible ou cordon prolongateur doivent au moins correspondre à celles de l'appareil.
 - b) Le cordon prolongateur doit être du type à trois conducteurs et à mise à la terre, et le cordon plus long doit être disposé de sorte qu'il ne pend pas sur un dessus de comptoir ou un dessus de table où il risque d'être tiré par les enfants ou d'entraîner un trébuchement accidentel.

Remarques: Si vous avez des questions concernant les directives en matière de mise à la terre ou d'électricité, consultez un électricien ou un technicien réparateur compétent. Ni le fabricant, ni le distributeur ne peuvent être tenus pour responsables des dommages au four ou des blessures personnelles résultant de l'omission d'appliquer les directives de connexion électrique.

Interférence radio ou télé

Dans le cas d'interférence attribuable au four à micro-ondes à l'endroit d'une radio ou d'un téléviseur, vérifiez que le four est branché sur un circuit distinct, distancez la radio ou le téléviseur le plus possible du four ou vérifiez le positionnement et le signal de l'antenne réceptrice.

GUIDE DES USTENSILES

Cette section traite des ustensiles pouvant être utilisés dans le four à micro-ondes, de ceux dont l'utilisation est restreinte à de courtes périodes et de ceux qui ne doivent pas être utilisés dans le four.

USTENSILES RECOMMANDÉS

Plat à brunir pour micro-ondes: Utiliser pour brunir l'extérieur des petits aliments, tels que steaks, côtelettes ou crêpes. Suivez les directives accompagnant votre plat à brunir.

Emballage plastique pour cuisson au micro-ondes: Utiliser pour retenir la vapeur. Percer une petite ouverture pour laisser s'échapper une part de vapeur et éviter de déposer directement sur l'aliment.

Essuie-tout et serviettes en papier: Utiliser pour le réchauffement et le recouvrement de courte durée; ces articles absorbent l'humidité excédentaire et préviennent l'éclaboussement. Ne pas utiliser d'essuie-tout en papier recyclé : ils peuvent contenir du métal et s'enflammer.

Bols et plats en verre et en vitrocéramique: Utiliser pour réchauffer ou cuire.

Assiettes et gobelets en papier : Utiliser pour le réchauffement de courte durée à basse température. Ne pas utiliser d'essuie-tout en papier recyclé : ils peuvent contenir du métal et s'enflammer.

Papier ciré: Utiliser pour couvrir dans le but de prévenir l'éclaboussement.

Thermomètres: Utiliser seulement ceux étiquetés en tant que transparents aux micro-ondes et suivre les directives. Vérifier la nourriture à plusieurs endroits. Les thermomètres traditionnels peuvent être utilisés pour les aliments cuits par micro-ondes à la sortie de l'aliment du four.

EMPLOI RESTREINT

Papier d'aluminium: Utiliser en bandelettes étroites pour prévenir la surcuisson des zones exposées. Utiliser avec prudence, car sa surutilisation peut endommager le four. Un écart d'un pouce (2,54 cm) doit être maintenu entre l'aluminium et les parois internes du four.

Céramique, porcelaine et terre cuite: Utiliser s'ils sont étiquetés en tant que transparents aux micro-ondes. S'ils ne portent pas d'étiquettes, en faire l'essai pour déterminer s'ils peuvent être utilisés en toute sécurité.

Matières plastiques: Utiliser seulement si elles sont étiquetées en tant que transparentes aux micro-ondes. Les autres matières plastiques peuvent fondre.

USTENSILES NON RECOMMANDÉS

Pots et bouteilles en verre: Le verre ordinaire est trop mince pour être utilisé avec les micro-ondes. Il peut éclater et entraîner des dommages et des blessures.

Sac en papier: Ils créent des risques d'incendie, exception faite des sacs pour maïs à éclater conçus pour l'exposition aux micro-ondes.

Assiettes et gobelets en styromousse: Ces articles peuvent fondre et laisser des résidus malsains sur la nourriture.

Contenants de rangement et d'aliments en plastique: Les contenants tels que ceux utilisés pour la margarine peuvent fondre sous l'effet des micro-ondes.

Ustensiles métalliques: Ils peuvent endommager le four. Retirez tout objet métallique avant la cuisson.

Remarque: Pour déterminer si l'exposition d'un article au micro-ondes est sans danger, déposer le contenant vide dans le four et le chauffer au micro-ondes à température élevée pendant 30 secondes. Un contenant qui devient très chaud ne doit pas être utilisé.

TECHNIQUES DE CUISSON

Votre four à micro-ondes rend la cuisson plus facile qu'avec les fours traditionnels, pourvu que vous teniez compte des facteurs suivants :

Le remuage

Remuez les aliments comme les ragoûts et les légumes pour diffuser la chaleur uniformément. Puisque la nourriture sur le pourtour du contenant absorbe plus d'énergie et se réchauffe plus rapidement, remuez depuis le pourtour jusqu'au centre. Le four s'éteint lorsque le portillon s'ouvre pour permettre de remuer les aliments.

La disposition

Disposez les aliments de forme irrégulière, comme les morceaux de poulet et les côtelettes, en déposant les coupes plus épaisses et plus consistantes vers l'extérieur du plateau tournant, là où elles seront exposées à une plus forte énergie de micro-ondes. Pour prévenir la surcuisson, placez les parties délicates, telles que les têtes d'asperge, vers le centre du plateau tournant.

La protection

Protégez les aliments à l'aide de bandelettes étroites d'aluminium pour prévenir la surcuisson. Les parties devant être protégées comprennent le bout des ailes de volaille, l'extrémité des pattes de volaille et les coins des plats carrés allant au four. N'utilisez le papier d'aluminium qu'en petites quantités. Utiliser de plus grandes quantités peut endommager votre four.

Le retournement

Retournez les aliments à mi-chemin dans la cuisson pour exposer toutes les zones à l'énergie des micro-ondes. Cela est particulièrement important pour les plats volumineux comme les rôtis.

Le repos

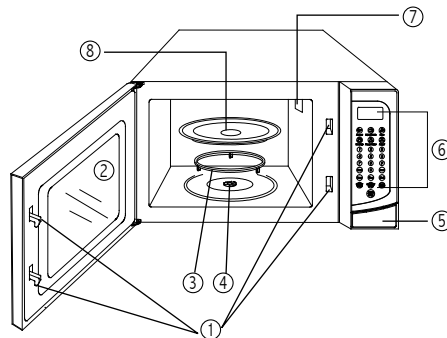
La nourriture cuite au micro-ondes accumule intérieurement la chaleur et continue de cuire pendant quelques minutes après l'arrêt du four. Laissez reposer les aliments pour compléter la cuisson, spécialement pour les gâteaux et les légumes. Ce délai est nécessaire à la cuisson des rôtis en leur centre sans surcuisson des zones externes. Tous les liquides, tels que potages ou chocolats chauds, doivent être agités ou remués à la fin de la cuisson. Laissez reposer les liquides pendant un moment avant de servir. Pour réchauffer la nourriture pour bébés, bien remuer au moment du retrait et sonder la température avant de servir.

L'humidification

Les molécules d'eau attirent l'énergie des micro-ondes. Les aliments dont la teneur en eau est irrégulière doivent être recouverts ou laissés au repos de sorte à diffuser uniformément la chaleur. Ajouter une petite quantité d'eau aux aliments secs en favorise la cuisson.

PIÈCES

1. Dispositif de verrouillage de sûreté du portillon
2. Hublot du four
3. Anneau à rouleaux
4. Arbre
5. Bouton de dégagement du portillon
6. Panneau de commande
7. Guide-ondes (Prière de ne pas retirer la plaquette en mica recouvrant le guide-ondes)
8. Plateau en verre



COMMANDE

AFFICHEUR DES TÂCHES DU MENU: Affichage du temps de cuisson, de l'intensité, des indicateurs et de l'heure actuelle.

TOUCHES DE CUISSON ÉCLAIR: Réglages instantanés de cuisson d'aliments courants.

BOUTONS NUMÉRIQUES (0-9): Toucher pour régler le temps ou la quantité.

CLOCK (horloge): Toucher pour régler l'heure de l'horloge.

RESET (réinitialisation): Toucher pour effacer tous les réglages précédents.

TIMER (minuterie): La minuterie fonctionne distinctement, même pendant qu'un programme de cuisson est en cours.

POWER LEVEL (niveau d'intensité): Utiliser pour régler les niveaux d'intensité des micro-ondes.

COOK (cuisson): Utiliser pour la cuisson multiphase. Permet la cuisson automatique selon divers niveaux d'intensité et réglages du temps.

COOK BY WEIGHT (cuisson selon le poids): Programmation de la cuisson selon le poids des aliments.

DEFROST BY WEIGHT (décongélation selon le poids): Programmation de la décongélation selon le poids des aliments à décongeler.

SPEED DEFROST (décongélation rapide): Fonction de décongélation rapide alternant les périodes de décongélation et de repos pour décongeler rapidement et efficacement les aliments.

START/STOP (marche/arrêt): Toucher pour commencer ou arrêter la cuisson.



DIRECTIVES DE FONCTIONNEMENT

SIGNALISATION DURANT LES RÉGLAGES DU FOUR

UN SIGNAL : Le four accepte l'entrée.

DEUX SIGNAUX : Le four n'accepte pas l'entrée; veuillez vérifier et ressayer.

Réglage de l'horloge

1. Touchez le bouton CLOCK.
2. Utilisez le pavé numérique pour entrer l'heure de l'horloge.
3. Touchez le bouton CLOCK de nouveau.

REMARQUE: Le format de l'horloge couvre 12 heures. Lors de la mise sous tension initiale du four ou du rétablissement de l'alimentation après une interruption, l'afficheur indique ENTER CLOCK TIME (entrer l'heure de l'horloge). Si vous ne souhaitez pas afficher l'heure, touchez RESET.

Réglage de la minuterie

1. Touchez le bouton TIMER.
2. Entrez le temps à l'aide du pavé numérique.
3. Touchez le bouton START/STOP.

REMARQUE: • La période maximale pouvant être entrée est de 99 minutes et 99 secondes.
• Touchez TIMER et ensuite RESET pour annuler la minuterie durant le processus de minutage.

Réglage du programme de cuisson

A. Cuisson une phase

1. Réglez le temps de cuisson à l'aide du pavé numérique. La période maximale de cuisson est de 99 minutes et 99 secondes.
2. Pour choisir un niveau d'intensité autre que 100 %, touchez le bouton POWER LEVEL et utilisez ensuite le pavé numérique pour entrer le niveau d'intensité. Le niveau d'intensité est réglable de 0 À 100 % (nul besoin d'utiliser le pavé numérique pour fixer le niveau d'intensité à 100 %).
3. Touchez le bouton START/STOP pour commencer la cuisson.

Utilisez un chiffre pour fixer le niveau d'intensité de la cuisson :

Bouton numérique	1,0	9	8	7	6	5	4	3	2	1	0
Intensité de la cuisson	100%	90%	80%	70%	60%	50%	40%	30%	20%	10%	0

B. Cuisson deux phases

Certaines recettes dictent des phases de cuisson distinctes à différents niveaux d'intensité.

1. RÉGLER LA PHASE 1 : Suivez les étapes 1 et 2 à la rubrique « Cuisson une phase ». NE TOUCHEZ PAS LE BOUTON START/STOP
2. RÉGLER LA PHASE 2 : Touchez le bouton COOK et entrez ensuite le temps de cuisson et le niveau (inférieur) d'intensité appropriés.
(La plupart des recettes dictent une intensité moindre lors de la seconde phase.)
3. Touchez le bouton START/STOP.

Décongélation rapide

1. Touchez le bouton SPEED DEFROST.
2. Entrez le temps de décongélation voulu en touchant les boutons numériques appropriés.
3. Touchez le bouton START/STOP.

REMARQUE:

- Suivant le réglage de la décongélation rapide, le four peut être programmé pour passer automatiquement à la cuisson une phase ou deux phases.
- Pour la décongélation rapide et la cuisson une phase, suivez les étapes ci-dessus. Avant de toucher le bouton START/STOP, touchez le bouton COOK et entrez ensuite le temps et le niveau d'intensité. Touchez ensuite le bouton START/STOP.
- Pour la décongélation rapide et la cuisson deux phases, suivez les étapes ci-dessus. Avant de toucher le bouton START/STOP, entrez les programmes de cuisson deux phases.

Cuisson selon le poids

1. Touchez le bouton COOK BY WEIGHT.
2. Entrez le code à un chiffre en touchant le bouton numérique approprié (1~3).
3. Entrez le poids à l'aide des boutons numériques.
4. Touchez le bouton START/STOP.

Description du code de cuisson selon le poids

CODE	TYPE	POIDS MAX
1	Bœuf	5 lb 16 oz
2	Mouton	5 lb 16 oz
3	Porc	5 lb 4 oz

Remarque: • Le poids doit être établi en livres et en onces.

- Les poids en onces inférieurs à 10 doivent être précédés d'un 0. Si l'étiquette n'indique le poids qu'en livres seulement, convertissez les fractions de livre en onces à l'aide du tableau suivant.

Conversion des fractions de livre en onces

Fractions de livre	Onces	Fractions de livre	Onces
Moins de 0,03	0	0,47 à 0,53	8
0,03 à 0,09	1	0,54 à 0,59	9
0,10 à 0,15	2	0,60 à 0,65	10
0,16 à 0,21	3	0,66 à 0,71	11
0,22 à 0,27	4	0,72 à 0,78	12
0,28 à 0,34	5	0,79 à 0,84	13
0,35 à 0,40	6	0,85 à 0,90	14
0,41 à 0,46	7	0,91 à 0,97	15
		plus de 0,97	indiquer la prochaine valeur arrondie

- Durant la cuisson, le dispositif s'arrêtera et émettra une sonnerie automatiquement pour rappeler à l'utilisateur de retourner l'aliment. Touchez ensuite le bouton START/STOP pour relancer la cuisson.

Décongélation selon le poids

1. Touchez le bouton DEFROST BY WEIGHT.
2. Entrez le poids à l'aide des boutons numériques.
3. Touchez le bouton START/STOP.

REMARQUE:

- Le poids doit être établi en livres et en onces. Les poids en onces inférieurs à 10 doivent être précédés d'un 0. Si l'étiquette n'indique le poids qu'en livres seulement, convertissez les fractions de livre en onces à l'aide du tableau plus haut. Le poids maximal est de 5 lb et 16 oz.
- Durant la décongélation, le dispositif émettra une sonnerie pour rappeler à l'utilisateur de retourner l'aliment; puis touchez ensuite START/STOP pour relancer la décongélation.

Réglage du verrouillage de protection des enfants

Le verrouillage de sécurité prévient la mise en fonction par les enfants non surveillés.

1. Pour le réglage, en mode d'attente, maintenez pressé RESET pendant 3 secondes. L'indicateur de verrouillage apparaîtra à l'afficheur.
2. Pour annuler la fonction, en mode d'attente, maintenez pressé RESET pendant 3 secondes. L'indicateur de verrouillage s'effacera.

RÉGLAGES DE CUISSON RAPIDE

Les réglages de cuisson rapide (QUICK COOK) permettent de cuire et de réchauffer les aliments automatiquement sans entrer un niveau d'intensité ou une période de cuisson. Pour les plus petites portions, touchez simplement le bouton correspondant et mettez en marche. Pour les plus grandes portions, pressez deux fois le bouton. Les boutons FROZEN DINNER (repas congelé), BAKED POTATO (pomme de terre au four) et BEVERAGE (boisson) vous permettent de cuire des quantités différentes du même aliment. Touchez simplement le bouton une fois, puis ENTER AMT apparaît à l'afficheur. Entrez la quantité des portions et mettez en marche.

POPCORN (maïs à éclater)

1. Touchez le bouton POPCORN.
2. Le bouton POPCORN règle automatiquement le temps de cuisson pour un sac de maïs à éclater pour micro-ondes de 3,5 oz.
3. Touchez le bouton START/STOP.

REMARQUE :

Pour changer le temps préréglé de cuisson du bouton POPCORN

1. Touchez deux fois le bouton POPCORN.
2. Entrez les minutes et les secondes à l'aide du pavé numérique.
3. Touchez le bouton START/STOP.

BAKED POTATO (pomme de terre au four)

< Pour les pommes de terre (4 à 6 oz par entrées) >

1. Touchez une fois le bouton BAKED POTATO.
2. Entrez le nombre de pommes de terre en touchant les boutons numériques 1 à 4.
3. Touchez le bouton START/STOP.

< Pour les grosses pommes de terre (8 à 10 oz par entrées) >

1. Touchez deux fois le bouton BAKED POTATO.
2. Entrez le nombre de pommes de terre en touchant les boutons numériques 1 à 4.
3. Touchez le bouton START/STOP.

PIZZA

< Réchauffage d'une pointe de pizza >

1. Touchez une fois le bouton PIZZA.
2. Touchez le bouton START/STOP.

< Chauffage d'une pizza entière congelée >

1. Touchez deux fois le bouton PIZZA.
2. Touchez le bouton START/STOP.

BEVERAGE (boisson)

< Pour tasses de café (5 à 7 oz par portion) >

1. Touchez une fois le bouton BEVERAGE.
2. Entrez le nombre de tasses en touchant les boutons numériques 1 à 4.
3. Touchez le bouton START/STOP.

< Pour de plus grosses tasses de café (9 à 11 oz par portion) >

1. Touchez deux fois le bouton BEVERAGE.
2. Entrez le nombre de tasses en touchant les boutons numériques 1 à 4.
3. Touchez le bouton START/STOP.

FROZEN DINNER (repas congelé)

< Pour petits (7 à 9 oz par portion) repas congelés >

1. Touchez une fois le bouton FROZEN DINNER.
2. Pour 1 entrée ou 2 entrées, touchez le bouton numérique « 1 » ou « 2 »
3. Touchez le bouton START/STOP.

< Cuisson au micro-ondes de repas congelés plus volumineux (10 à 12 oz par portion) >

1. Touchez deux fois le bouton FROZEN DINNER.
2. Pour 1 entrée ou 2 entrées, touchez le bouton numérique « 1 » ou « 2 »
3. Touchez le bouton START/STOP.

REHEAT (réchauffer)

< Pour une assiette de nourriture refroidie (11 à 14 oz) >

1. Touchez le bouton REHEAT.
2. Touchez le bouton START/STOP.

REMARQUE: Ce réglage permet de réchauffer une assiette de repas de la veille refroidi avec de bons résultats.

NETTOYAGE ET ENTRETIEN

1. Arrêtez le four et débranchez le cordon d'alimentation de la prise murale avant le nettoyage.
2. Gardez l'intérieur du four propre. Essayez à l'aide d'un linge humide la nourriture éclaboussée ou les liquides adhérents aux parois du four. Un détergent doux peut être utilisé lorsque le four est très souillé. Évitez d'utiliser des nettoyeurs aérosol ou autres nettoyeurs corrosifs qui peuvent tacher, rayer ou ternir la surface du portillon.
3. Les surfaces externes doivent être nettoyées à l'aide d'un linge humide. Pour éviter d'endommager les pièces fonctionnelles à l'intérieur du four, empêchez l'infiltration d'eau dans les ouvertures de ventilation.
4. Essayez le hublot des deux côtés à l'aide d'un linge humide pour éliminer les déversements ou les éclaboussures.
5. Empêchez le contact de l'eau avec le panneau de commande. Nettoyez-le à l'aide d'un linge doux et humide. Lors du nettoyage du panneau de commande, ouvrez le portillon pour prévenir la mise en marche accidentelle du four.
6. S'il y a accumulation de vapeur à l'extérieur ou autour du portillon du four, essuyez à l'aide d'un linge doux. Cette accumulation peut se produire lorsque le four à micro-ondes fonctionne dans des conditions d'humidité élevée. Dans ce cas, l'accumulation est normale.
7. Il est parfois nécessaire de retirer le plateau en verre pour le nettoyer. Lavez le plateau dans l'eau savonneuse tiède ou dans le lave-vaisselle.
8. L'anneau à rouleaux et le fond du four doivent être nettoyés régulièrement pour éviter le bruit excessif. Essayez simplement la surface du fond du four à l'aide d'un détergent doux. L'anneau à rouleaux peut être lavé dans l'eau avec un détergent doux ou au lave-vaisselle. Lors du retrait de l'anneau à rouleaux du fond de l'intérieur du four, veillez à le réinstaller à la position appropriée.
9. Éliminez les odeurs émanant du four en ajoutant à une tasse d'eau versée dans un bol profond transparent aux micro-ondes le jus et la pelure d'un citron et chauffez au micro-ondes pendant 5 minutes. Essayez soigneusement et séchez le four à l'aide d'un linge doux.
10. Lorsque vient le temps de remplacer la lampe du four, veuillez consulter un distributeur pour le remplacement.
11. Le four doit être nettoyé régulièrement et les dépôts de nourriture doivent être éliminés. Omettre de maintenir la propreté du four peut entraîner une détérioration des surfaces qui peut compromettre la durée de vie de l'appareil et possiblement créer une situation dangereuse.
12. Veuillez ne pas jeter cet appareil avec les ordures ménagères; il devrait être confié aux centres d'élimination prévus par les autorités municipales.

FICHE TECHNIQUE

Nom du modèle	RMW1000-38SS
Consommation énergétique :	120 V~60 Hz, 1450 W (micro-ondes)
Puissance :	1000 W
Fréquence de fonctionnement :	2450 MHz
Dimensions externes (HxLxP) :	12 1/4×21 3/4×17 15/16 (po) / 311×552×456 (mm)
Dimensions internes du four (HxLxP) :	9 13/16×14 13/16×15 7/8 (po) / 250×402×403 (mm)
Volume du four :	1.34 pi ²
Uniformité de la cuisson :	Mécanisme de plateau tournant
Poids net :	Approx. 38.1lb. / 17.3Kg

GARANTIE LIMITÉE DE 18 MOIS

Cette garantie prévoit la réparation ou le remplacement d'un produit comportant un vice matériel ou de fabrication pendant 18 mois à partir de la date de l'achat initial. Cette garantie est offerte uniquement à l'acheteur d'origine.

Cette garantie ne couvre pas les dommages causés par l'abus, le mésusage, l'entretien inapproprié ou les dommages attribuables aux calamités naturelles. Royal Sovereign International, Inc. (et ses filiales) n'accepte aucune responsabilité pour les dommages consécutifs ou indirects, quelle que soit leur nature. Cette restriction ne s'applique pas si vous résidez dans un endroit qui ne permet pas l'exclusion ou la restriction des dommages consécutifs ou indirects.

Les produits défectueux couverts par la garantie en vue de la réparation ou du remplacement ne peuvent pas être retournés sans un numéro d'autorisation de retour. Veuillez accéder au www.royalsoleign.com, USA, onglet Customer Support, pour présenter une demande d'autorisation de retour d'article de bureau (Office Product Return Authorization).

Les produits défectueux doivent être expédiés au service à la clientèle de Royal Sovereign International, port payé, et accompagnés d'une preuve d'achat et du paiement des frais de port et de manutention pour le retour (chèque ou mandat postal). Suivant la réparation ou le remplacement, le produit sera retourné au client.

Retournez le produit défectueux à l'adresse ci-dessous, accompagné d'une explication détaillée du problème. Lorsque cela est possible, retournez le produit dans son emballage d'origine. Veuillez payer les frais d'expédition à l'avance.

Pour un service non couvert par la garantie et pour consulter une foire aux questions, veuillez accéder au www.royalsoleign.com, USA, onglet Customer Support. Pour la vente de produits, de pièces et d'accessoires, veuillez accéder au www.royalfulfillmentcorp.com. Pour le service ou les ventes, veuillez communiquer avec votre bureau local de Royal Sovereign :

ROYAL SOVEREIGN INTERNATIONAL, INC.

2 Volvo Drive Rockleigh, NJ 07647 États-Unis
TÉL : +1) 800-397-1025 TÉLÉC : +1) 201-750-1022

RS CANADA INC.

1025 Westport Crescent, Mississauga On L5T 1E8 CANADA
TÉL : +1) 905-461-1095 N° TÉLÉC. : +1) 866-961-6673
TÉLÉC : +1) 905-461-1096

www.royalsoleign.com