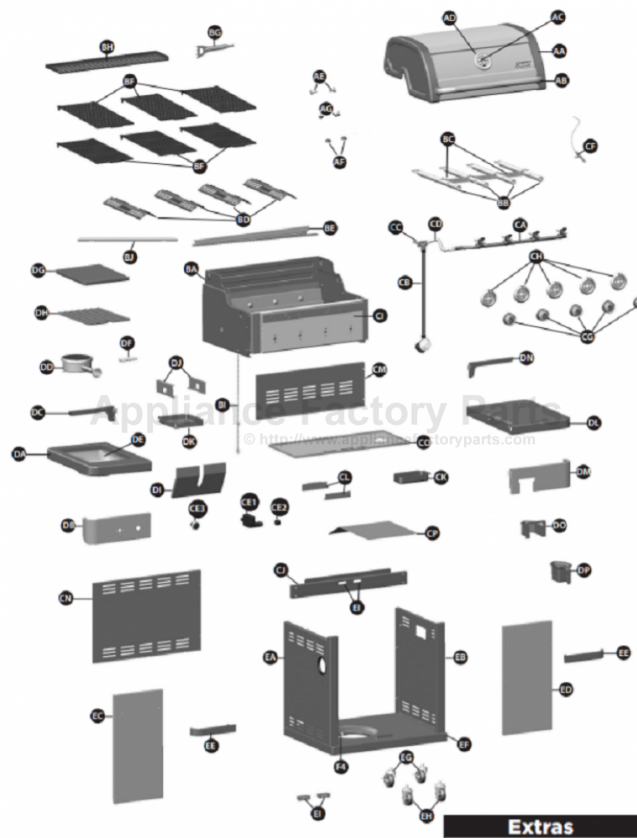


This Owner's Manual is provided and hosted by [Appliance Factory Parts](http://ApplianceFactoryParts.com).



Coleman G53203 Owner's Manual

[Shop genuine replacement parts for Coleman G53203](#)



[Find Your Coleman Grill Parts - Select From 255 Models](#)

----- Manual continues below -----



REVOLUTION™

4 BURNER



FLARE FREE
TECHNOLOGY™

ASSEMBLY MANUAL

85-3120-4 (G53203) Propane
85-3121-2 (G53204) Natural Gas

LIMITED 5-YEAR WARRANTY

Read and save manual for future reference.

Assemble your grill immediately. Missing or damaged parts should be claimed within 30 days of purchase.

For product inquiries, parts, warranty and troubleshooting support, please call 1-800-275-4617.



HEAVY ARTICLE NEEDS 2 TO LIFT

THIS MANUAL MUST REMAIN WITH THE PRODUCT AT ALL TIMES

To ORDER non-warranty replacement parts or accessories,
or to register your warranty, please visit us on the web at
www.colemanbbqs.com

⚠ CAUTION

Sharp edges. Wear gloves when assembling your grill.

⚠ CAUTION

Read and follow all safety statements, assembly instructions, use and care directions before attempting to assemble and cook.

⚠ INSTALLER OR ASSEMBLER/ CONSUMER

This manual should be kept with the BBQ at all times.

⚠ WARNING

Failure to follow all of the Manufacturer's instructions could result in hazardous fires, explosions, property damage, or serious personal injury or even death.

Follow all leak check procedures carefully prior to operation of barbecue, even if grill was dealer assembled. Do not try to light this barbecue without reading the Lighting Instructions section of this manual.

⚠ DANGER

1. If you smell Gas:
 - a. Shut off gas to the appliance
 - b. Extinguish any open flame
 - c. Open lid
 - d. If odor continues, keep away from the appliance and immediately call your gas supplier or your fire department
 2. Requires two people to complete the assembly process.
 3. Beware of sharp edges.
-

⚠ WARNING

1. Do not store or use gasoline or other flammable liquids or vapours in the vicinity of this or any other appliance.
 2. An LP cylinder not connected for use shall not be stored in the vicinity of this or any other appliance.
-

⚠ WARNING

IN DIRECT SUN, AND IN OPERATION, YOUR BBQ'S STAINLESS STEEL AND PAINTED STEEL PARTS CAN BECOME VERY HOT.

THIS BARBECUE IS FOR OUTDOOR USE ONLY

CONTACT CALL CENTRE IF ANY PARTS ARE MISSING

1-800-275-4617


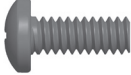













HARDWARE PACK

TOOLS NEEDED FOR ASSEMBLY

- #2 Phillips screwdriver (long and short)
- 1/4" Slotted screwdriver (long and short)
- Adjustable wrench
- Pliers

No.	Description	Part Number	Qty.
1	1/4"-20UNCx38 Screw	20120-13038-250	6
2	1/4"-20UNCx16 Screw	20120-13016-250	26
3	NO.10-24UNCX35 Screw	20124-10035-250	1
4	NO.10-24UNCX13 Screw	20124-10013-250	24
5	NO.8-32UNCX18 Screw	20132-08018-250	2
6	NO.8-32UNCX10 Screw	20332-08010-250	5
7	ST4.2X10 Tapping Screw	22500-42010-137B	8
8	Rubberized Washer	G501-0054-9100	10
9	1/4"-20UNC Nut	30220-13000-250	2
10	NO.8-32UNC Nut	30232-08000-250	2
11	Side Burner Knob	G532-3600-9000	1
12	Electrode spacer	G453-0065-9000	1
13	Venturi Clip, Side Burner	G405-0019-9200	1
14	Wheel Lock Pin	G350-0026-9000	1
15	Spacer for Door Handle	G466-0035-9000	4

⚠ Caution:
Sheet metal can cause injury. Wear gloves when installing the grill.

 <p>1 1/4"-20UNCx38 Screw X 6</p>	 <p>2 1/4"-20UNCx16 Screw X 26</p>	 <p>3 NO.10-24UNCX35 Screw X 1</p>
 <p>4 NO.10-24UNCX13 Screw X 24</p>	 <p>5 NO.8-32UNCX18 Screw X 2</p>	 <p>6 NO.8-32UNCX10 Screw X 5</p>
 <p>7 ST4.2X10 Tapping Screw X 8</p>	 <p>8 Rubberized Washer X 10</p>	 <p>9 1/4"-20UNC Nut X 2</p>
 <p>10 NO.8-32UNC Nut X 2</p>	 <p>11 Side Burner Knob X 1</p>	 <p>12 Electrode Spacer X 1</p>
 <p>13 Venturi Clip, Side Burner X 1</p>	 <p>14 Wheel Lock Pin X 1</p>	 <p>15 Spacer for Door Handle X 4</p>

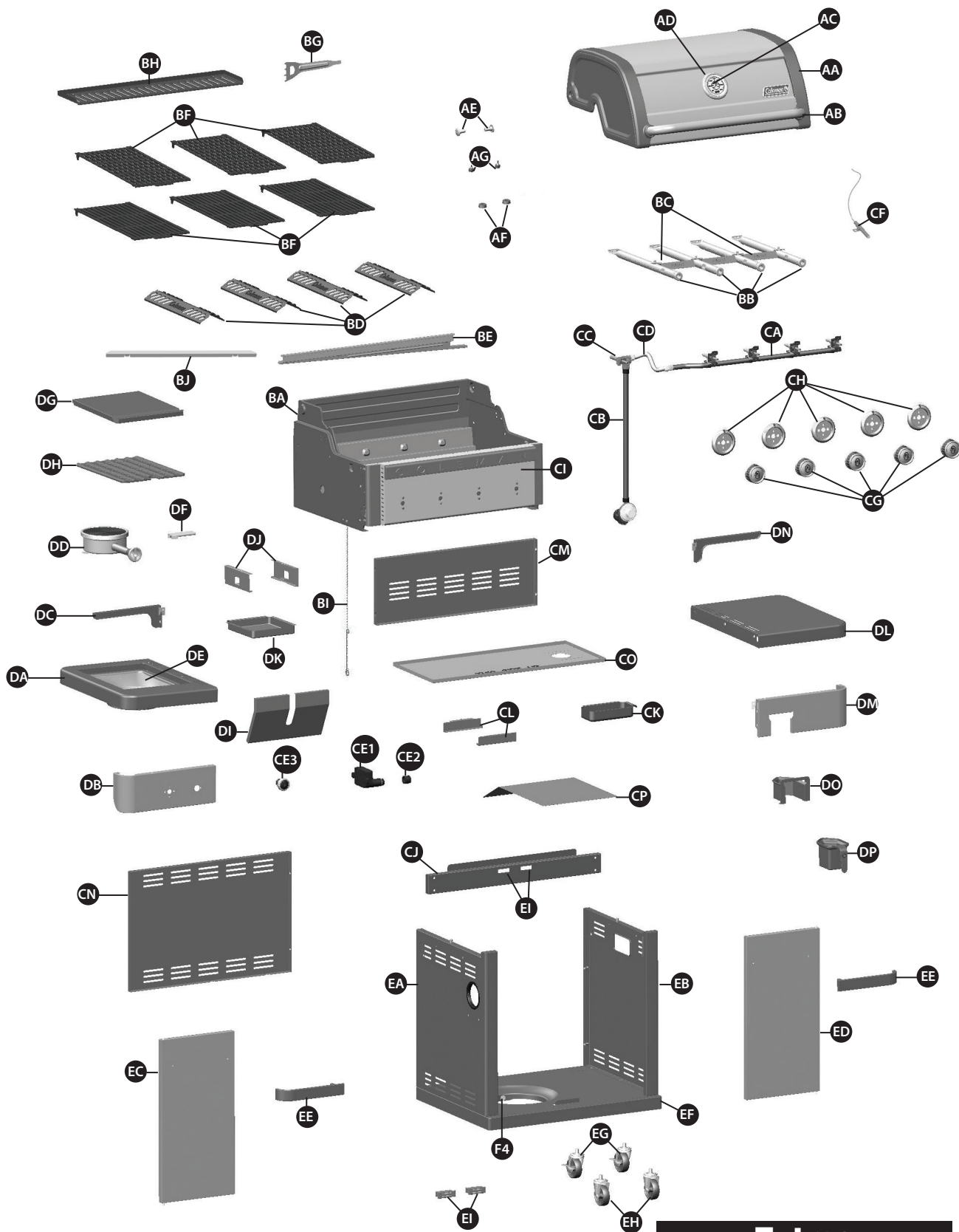
BEFORE ASSEMBLING THIS BARBECUE, READ THE INSTRUCTIONS CAREFULLY.

Assemble the barbecue on a flat, clean surface. Grill is heavy. Two people are recommended to assemble this barbecue.

PARTS LIST (PROPANE) FOR 85-3120-4 (G53203)

Item No.	Qty.	Description	Part No.	Item No.	Qty.	Description	Part No.
AA	1	Top Lid Assembly	G532-2500-02	DA	1	Sear Stove Side Shelf, Left	G532-0900-01
AB	1	Lid Handle	G532-0004-01	DB	1	Side Shelf Fascia, Left	G532-4300-01
AC	1	Thermometer	G532-0007-01	DC	1	Side Shelf Table Rear Brace, Left	G532-1300-01
AD	1	Thermometer Bezel	G532-0006-01	DD	1	Sear Stove Burner	G532-4900-01
AE	2	Screw, Top Lid	G466-0007-01	DE	1	Sear Stove Support Frame	G453-0063-01
AF	2	Lid Bumper, Front	G527-0002-02	DF	1	Electrode Set, Sear Stove	G532-0042-01
AG	2	Lid Bumper, Rear	G303-0038-01	DG	1	Sear Stove Lid	G532-0029-01
BA	1	Burner Box Assembly	G532-2700-01	DH	1	Sear Stove Cooking Grate	G522-00D8-01
BB	4	Main Burner	G532-3500-01	DI	1	Sear Stove Heat Shield	G532-0047-01
BC	3	Carryover Assembly	G532-0041-01	DJ	2	Sear Stove grease tray rail	G453-0064-01
BD	4	Heat Distribution Plate	G532-0016-01	DK	1	Sear Stove grease tray	G453-0059-01
BE	1	Grease Channel	G532-0015-01	DL	1	Side Shelf Table, Right	G532-0030-01
BF	6	Cooking Grate	G532-0017-01	DM	1	Side Shelf Fascia, Right	G532-4500-01
BG	1	Cleaning Tool	G532-0049-01	DN	1	Side Shelf Table Rear Brace, Right	G532-1700-01
BH	1	Warming Rack	G532-0018-01	DO	1	Grease Cup Holder, Flare-Free	G532-0031-02
BI	1	Match Holder	G501-0068-01	DP	1	Grease Cup, Flare-Free	G532-0031-02
BJ	1	Grease Channel Shield	G532-0063-01	EA	1	Cart Side Panel, Left	G532-1000-01
CA	1	Manifold Assembly, LP	G532-3700-01	EB	1	Cart Side Panel, Right	G532-1100-01
CB	1	Regulator	G606-0008-01	EC	1	Left Door Assembly	G532-3900-01
CC	1	Sear Stove Valve, LP	G532-0039-01	ED	1	Right Door Assembly	G532-4100-01
CD	1	Metal Hose, Sear Stove	G608-0039-01	EE	2	Door Handle	G532-0026-01
CE1	1	Electronic Ignition Assembly	G532-0019-01	EF	1	Bottom Shelf, LP	G532-0600-01
CE2	1	Ignition Battery Cover	G532-0019-02	EG	2	Locking Castor	G350-0023-01
CE3	1	Instastart™ Ignition Button	G532-0013-01	EH	2	Castor	G350-0024-01
CF	1	Electrode Set, Main Burner	G515-0067-01	EI	2	Door Magnet Assembly	G527-0037-01
CG	5	Control Knob	G532-3600-01	F1	1	Hardware Pack	G532-B003-01
CH	5	Knob Bezel	G532-0012-01	F2	1	Assembly Manual	G532-M003-01
CI	1	Control Panel	G532-0040-01	F3	1	Safe Use and Care Manual	G532-M003-02
CJ	1	Front Brace	G532-9000-01	F4	1	Tank Screw	G505-0047-01
CK	1	Grease Cup, Burner Box	G416-0015-01				
CL	2	Grease Cup Rails	G466-0034-01				
CM	1	Upper Back Panel	G532-0022-01				
CN	1	Lower Back Panel	G532-0021-01				
CO	1	Heat Shield, Burner Box	G532-0023-01				
CP	1	Heat Shield, Tank	G532-0033-01				

EXPLODED DIAGRAM (PROPANE) FOR 85-3120-4 (G53203)

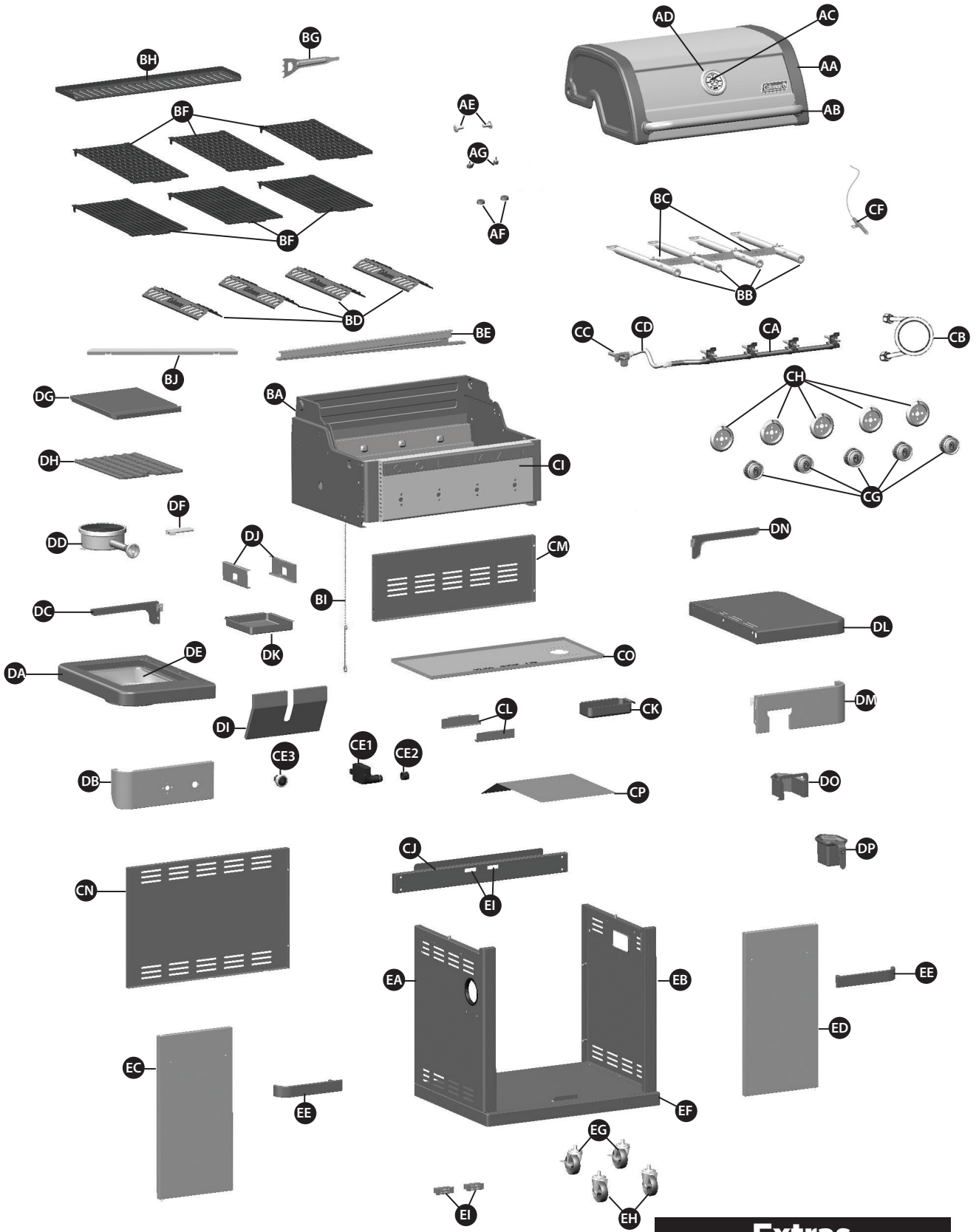


Extras		
Hardware Pack F1	Assembly Manual F2	Safe Use & Care Manual F3

PARTS LIST (NATURAL GAS) FOR 85-3121-2 (G53204)

Item No.	Qty.	Description	Part No.	Item No.	Qty.	Description	Part No.
AA	1	Top Lid Assembly	G532-2500-02	DA	1	Sear Stove Side Shelf, Left	G532-0900-01
AB	1	Lid Handle	G532-0004-01	DB	1	Side Shelf Fascia, Left	G532-4300-01
AC	1	Thermometer	G532-0007-01	DC	1	Side Shelf Table Rear Brace, Left	G532-1300-01
AD	1	Thermometer Bezel	G532-0006-01	DD	1	Sear Stove Burner	G532-4900-01
AE	2	Screw, Top Lid	G466-0007-01	DE	1	Sear Stove Support Frame	G453-0063-01
AF	2	Lid Bumper, Front	G527-0002-02	DF	1	Electrode Set, Sear Stove	G532-0042-01
AG	2	Lid Bumper, Rear	G303-0038-01	DG	1	Sear Stove Lid	G532-0029-01
BA	1	Burner Box Assembly	G532-2700-01	DH	1	Sear Stove Cooking Grate	G522-00D8-01
BB	4	Main Burner	G532-3500-01	DI	1	Sear Stove Heat Shield	G532-0047-01
BC	3	Carryover Assembly	G532-0041-01	DJ	2	Sear Stove grease tray rail	G453-0064-01
BD	4	Heat Distribution Plate	G532-0016-01	DK	1	Sear Stove grease tray	G453-0059-01
BE	1	Grease Channel	G532-0015-01	DL	1	Side Shelf Table, Right	G532-0030-01
BF	6	Cooking Grate	G532-0017-01	DM	1	Side Shelf Fascia, Right	G532-4500-01
BG	1	Cleaning Tool	G532-0049-01	DN	1	Side Shelf Table Rear Brace, Right	G532-1700-01
BH	1	Warming Rack	G532-0018-01	DO	1	Grease Cup Holder, Flare-Free	G532-0031-02
BI	1	Match Holder	G501-0068-01	DP	1	Grease Cup, Flare-Free	G532-0031-02
BJ	1	Grease Channel Shield	G532-0063-01	EA	1	Cart Side Panel, Left	G532-1000-01
CA	1	Manifold Assembly, NG	G532-4800-01	EB	1	Cart Side Panel, Right	G532-1100-01
CB	1	Natural Gas Hose	G501-0099-01	EC	1	Left Door Assembly	G532-3900-01
CC	1	Sear Stove Valve, NG	G532-0046-01	ED	1	Right Door Assembly	G532-4100-01
CD	1	Metal Hose, Sear Stove	G608-0039-01	EE	2	Door Handle	G532-0026-01
CE1	1	Electronic Ignition Assembly	G532-0019-01	EF	1	Bottom Shelf, NG	G532-2400-01
CE2	1	Ignition Battery Cover	G532-0019-02	EG	2	Locking Castor	G350-0023-01
CE3	1	Instastart™ Ignition Button	G532-0013-01	EH	2	Castor	G350-0024-01
CF	1	Electrode Set, Main Burner	G515-0067-01	EI	2	Door Magnet Assembly	G527-0037-01
CG	5	Control Knob	G532-3600-01	F1	1	Hardware Pack	G532-B003-01
CH	5	Knob Bezel	G532-0012-01	F2	1	Assembly Manual	G532-M003-01
CI	1	Control Panel	G532-0040-01	F3	1	Safe Use and Care Manual	G532-M003-02
CJ	1	Front Brace	G532-9000-01				
CK	1	Grease Cup, Burner Box	G416-0015-01				
CL	2	Grease Cup Rails	G466-0034-01				
CM	1	Upper Back Panel	G532-0022-01				
CN	1	Lower Back Panel	G532-0021-01				
CO	1	Heat Shield, Burner Box	G532-0023-01				
CP	1	Heat Shield, Tank	G532-0033-01				

EXPLODED DIAGRAM (NATURAL GAS) FOR 85-3121-2 (G53204)

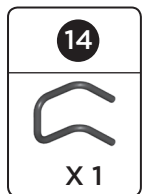
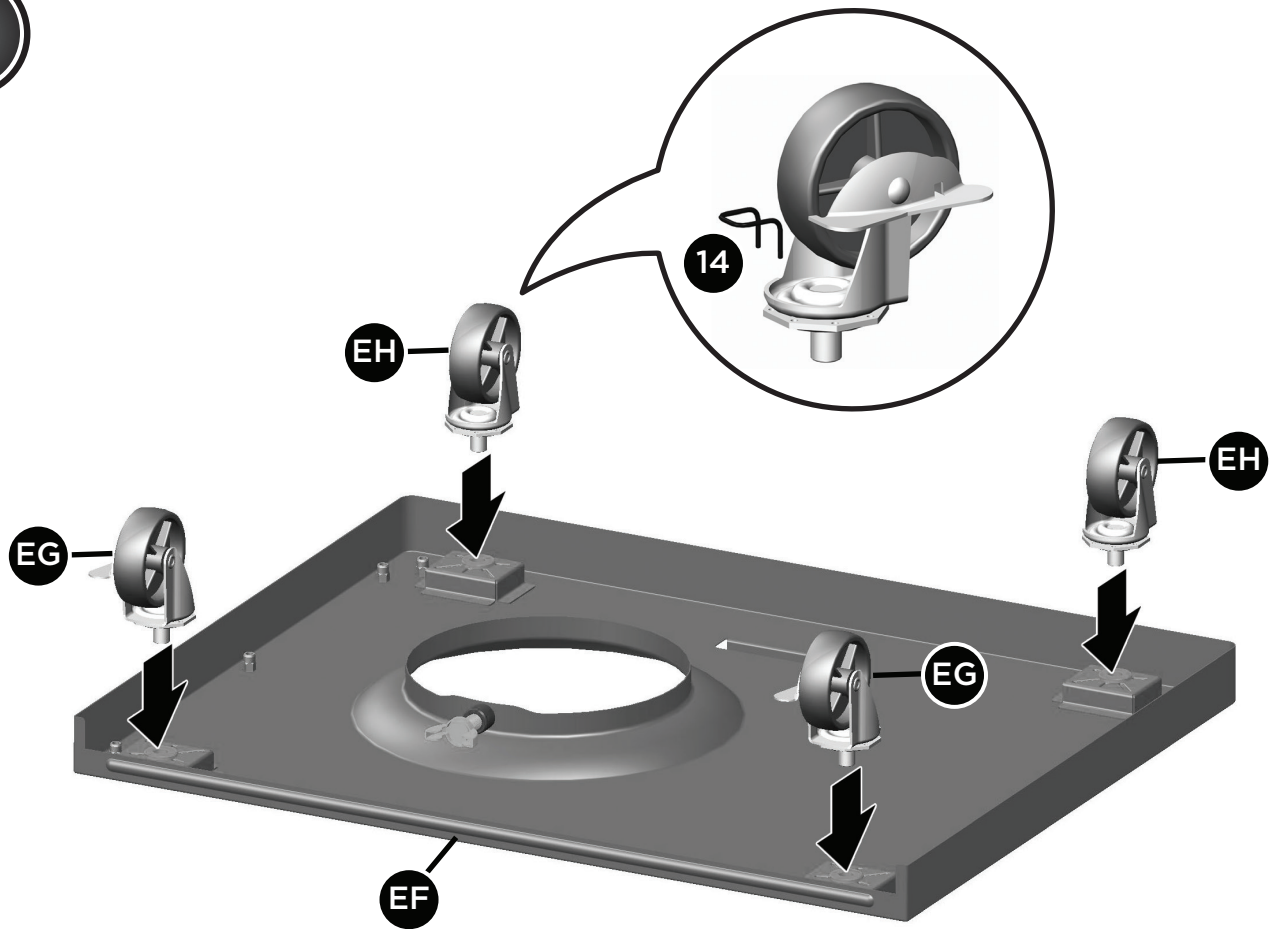


Extras

Hardware Pack F1	Assembly Manual F2	Safe Use & Care Manual F3
----------------------------	------------------------------	-------------------------------------

ASSEMBLY INSTRUCTIONS


1

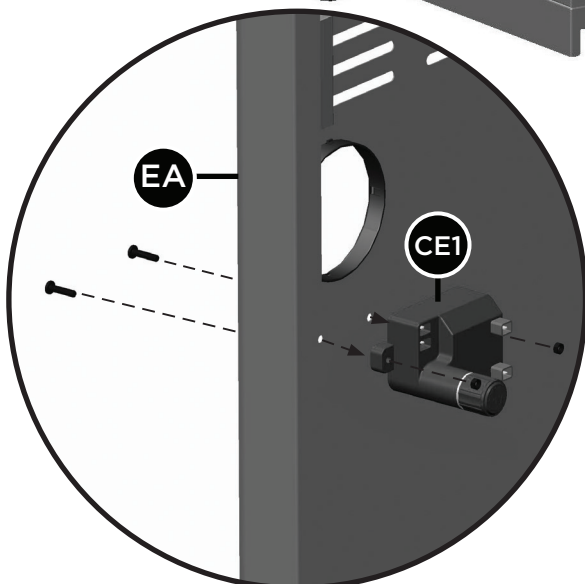
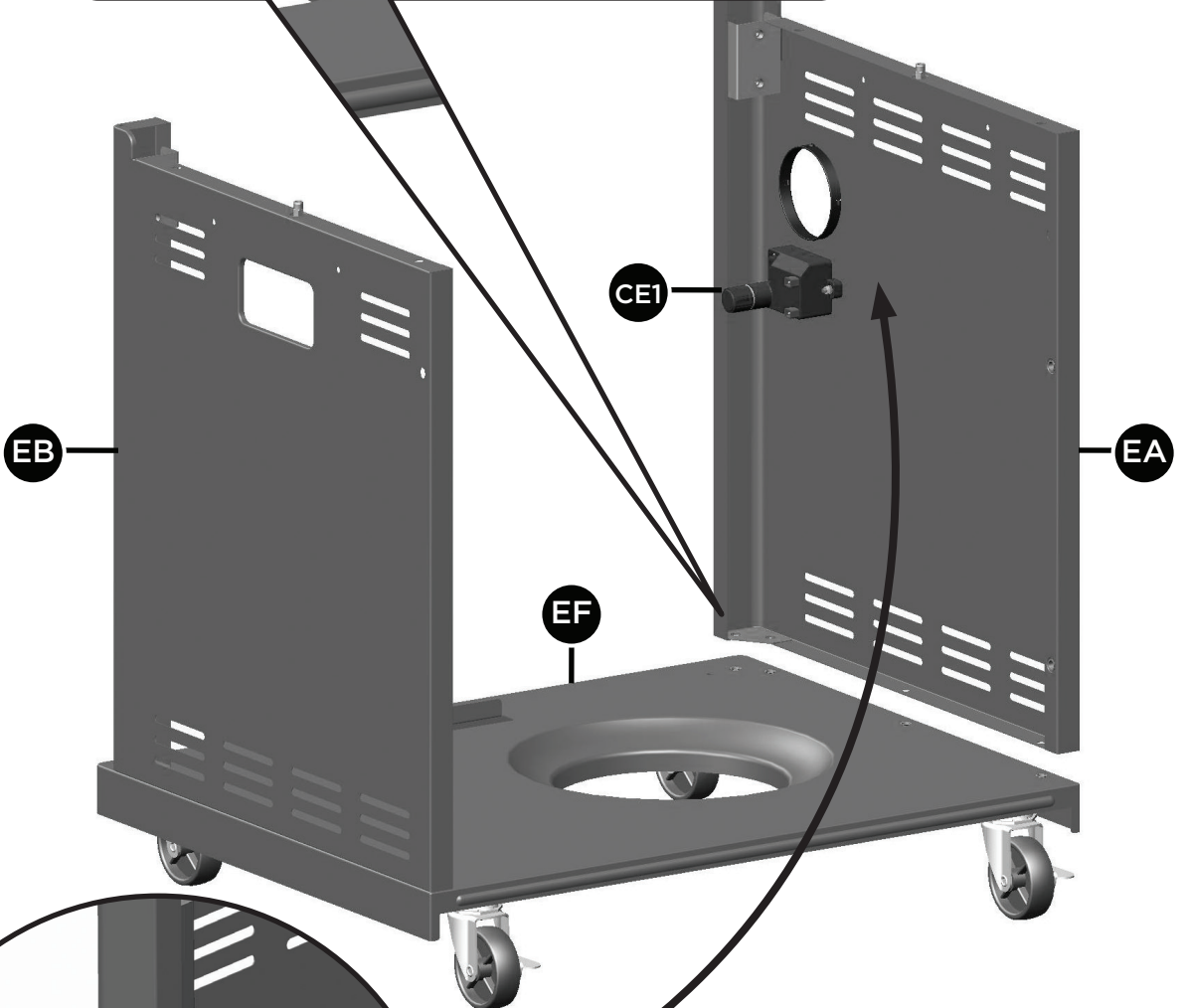
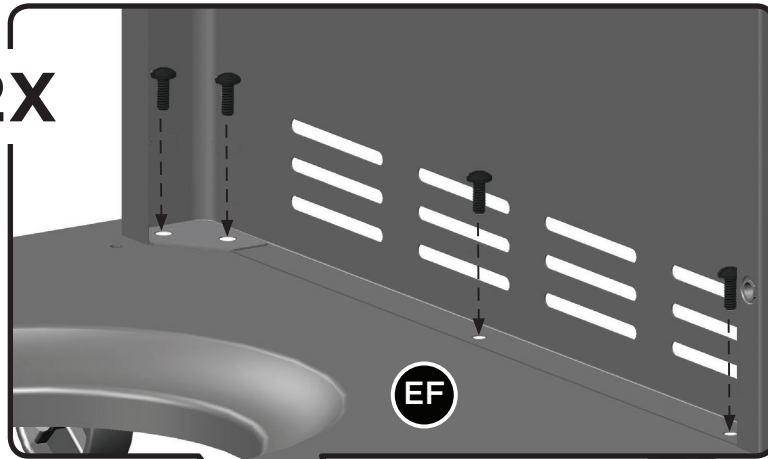




ASSEMBLY INSTRUCTIONS

2

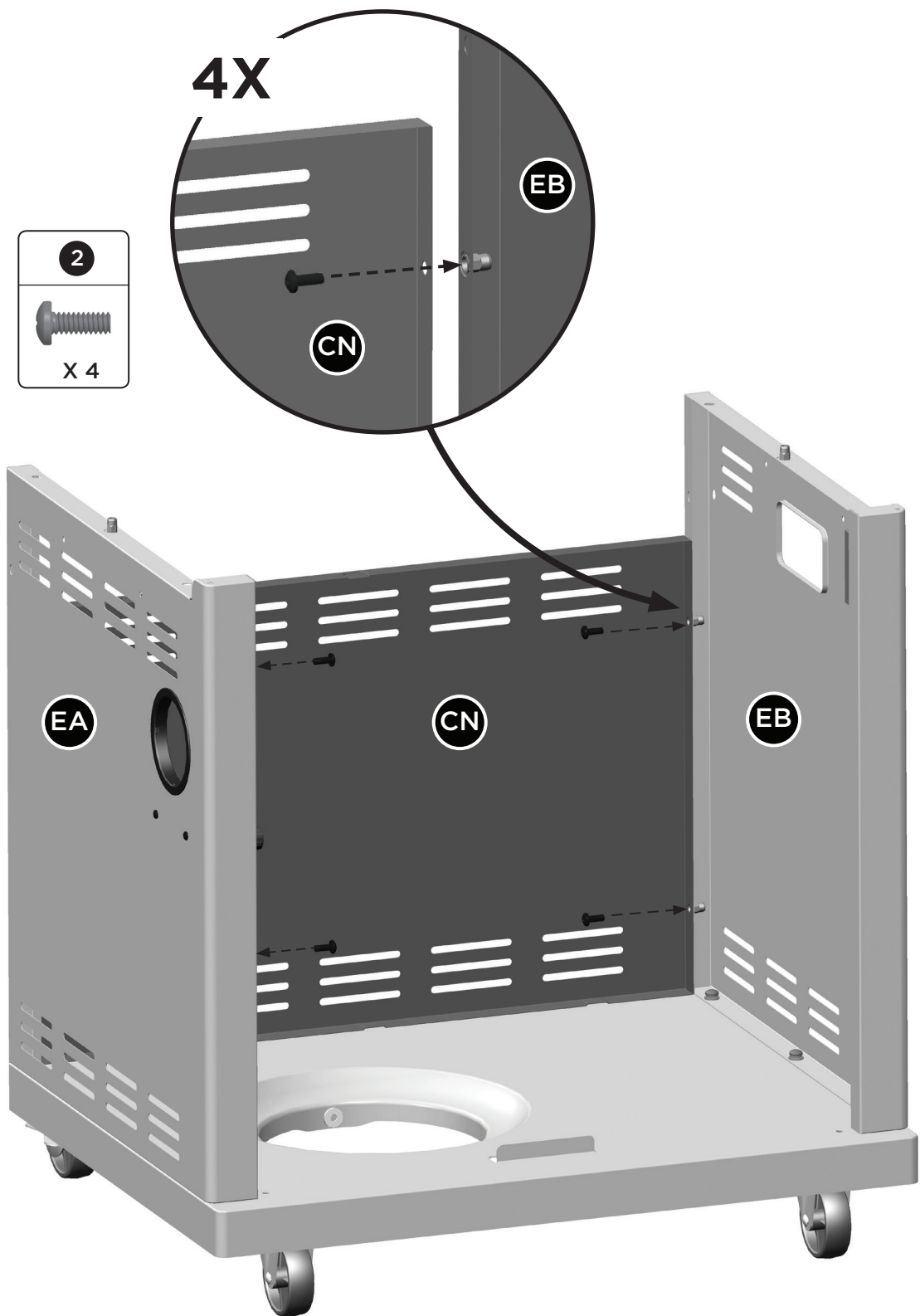
2X

2

X 8

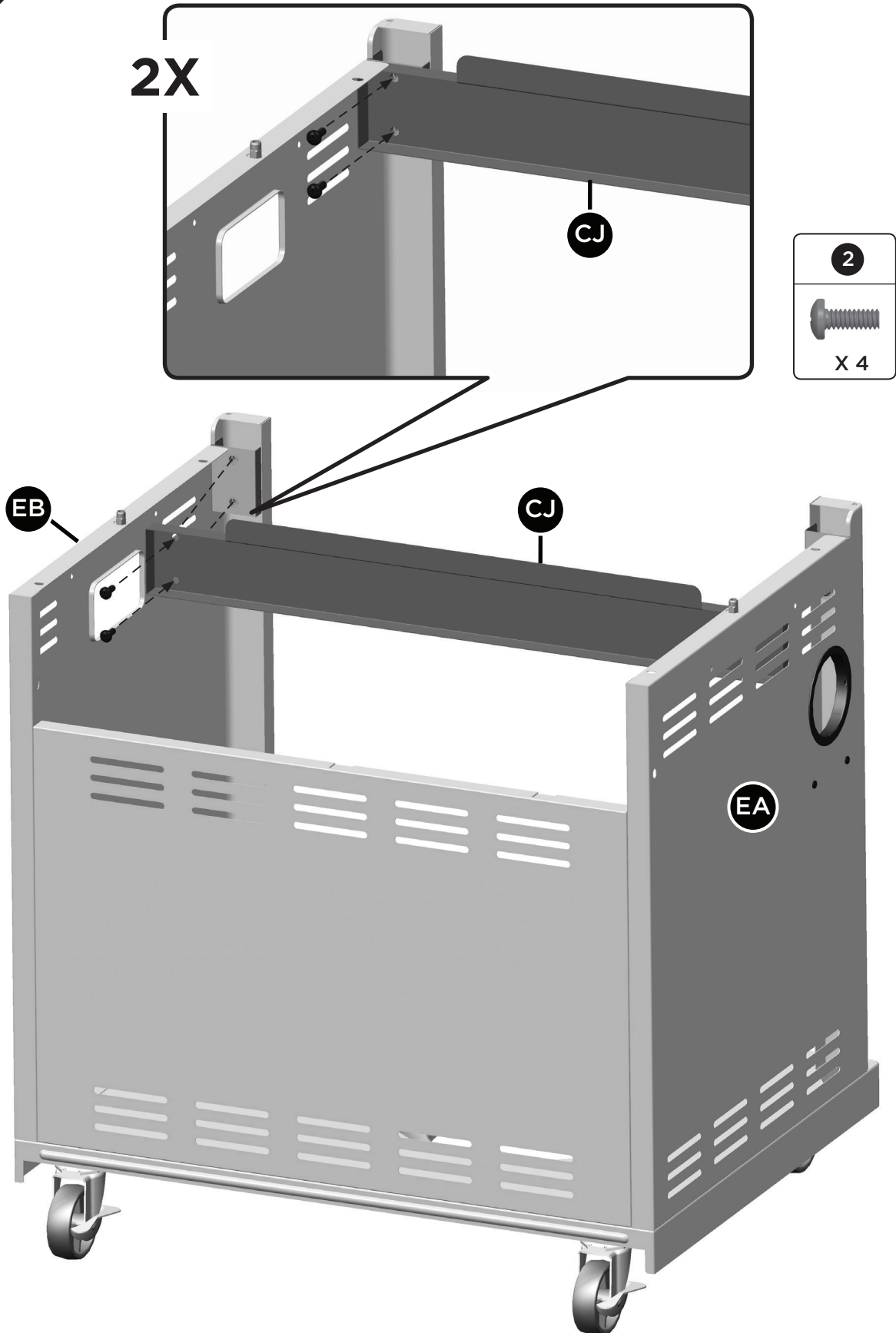


5	10
	
X 2	X 2

3

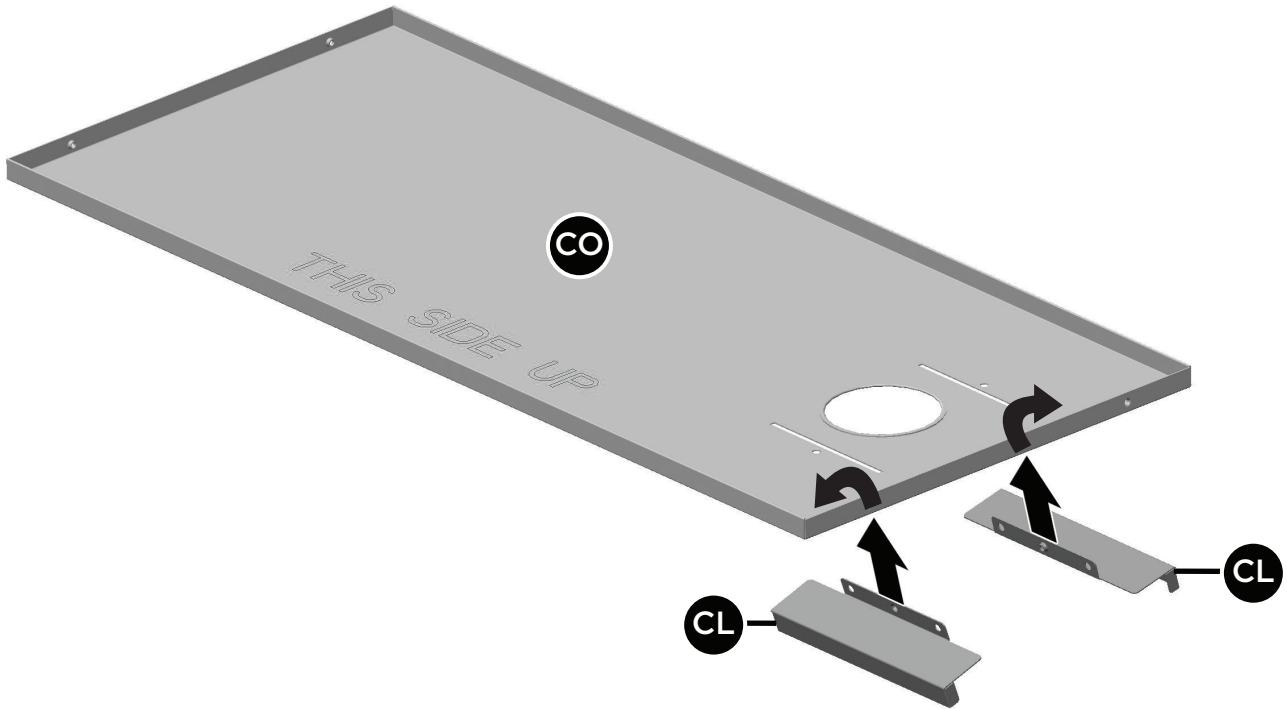


4

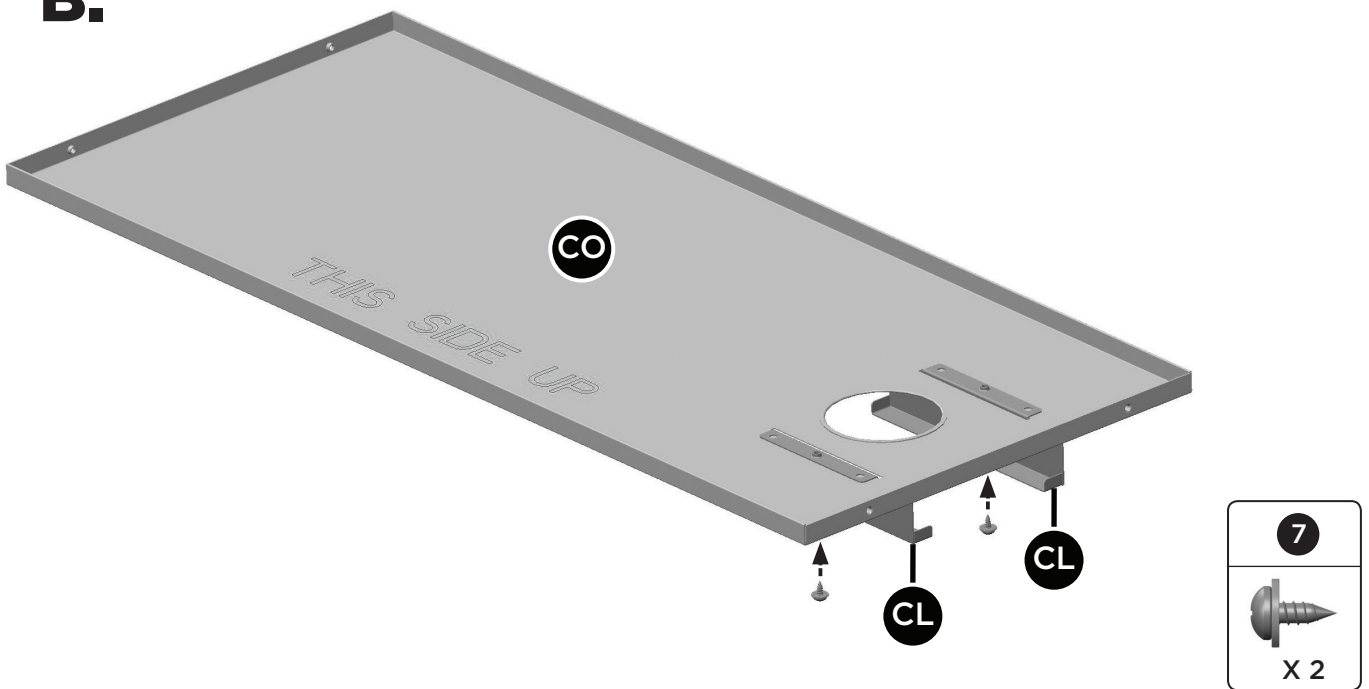


5

A.

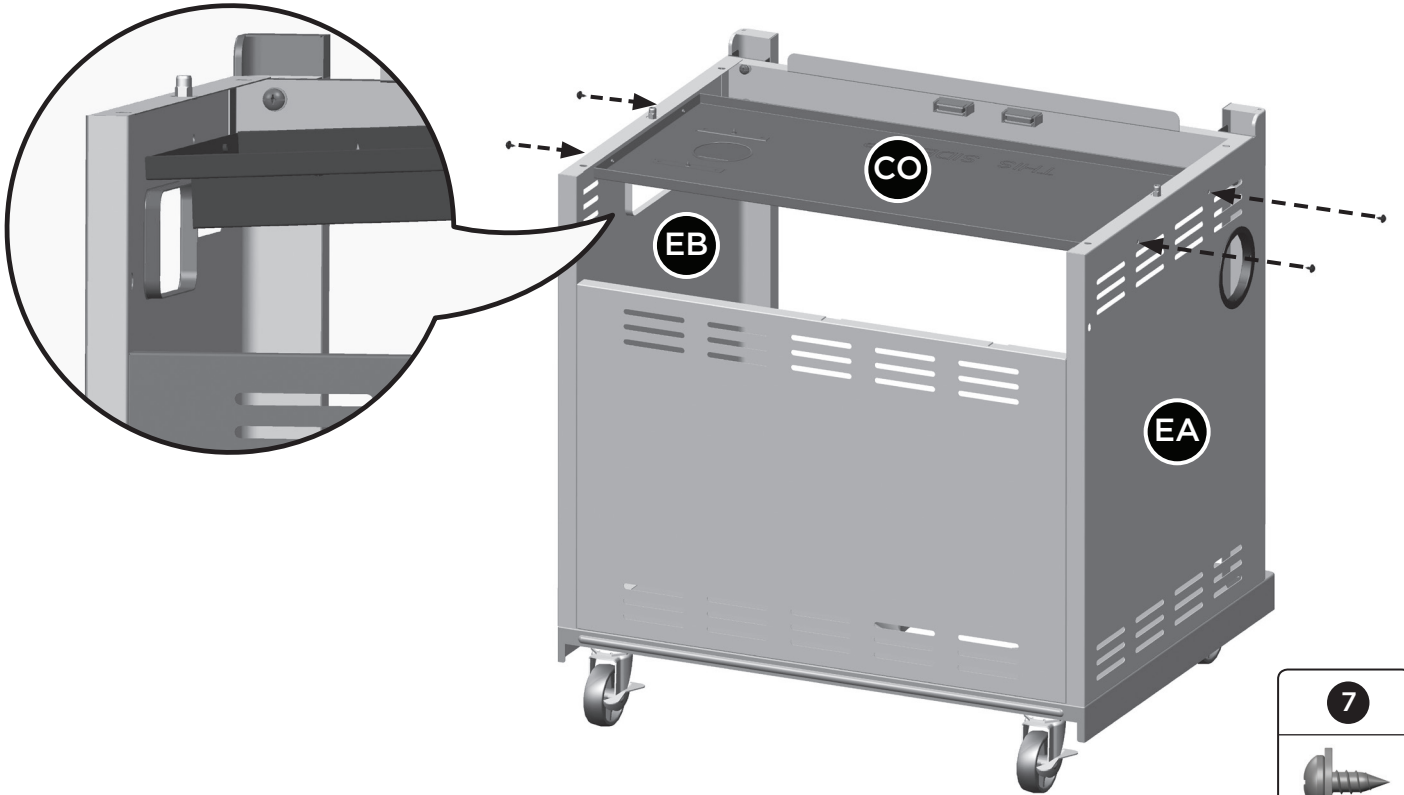


B.

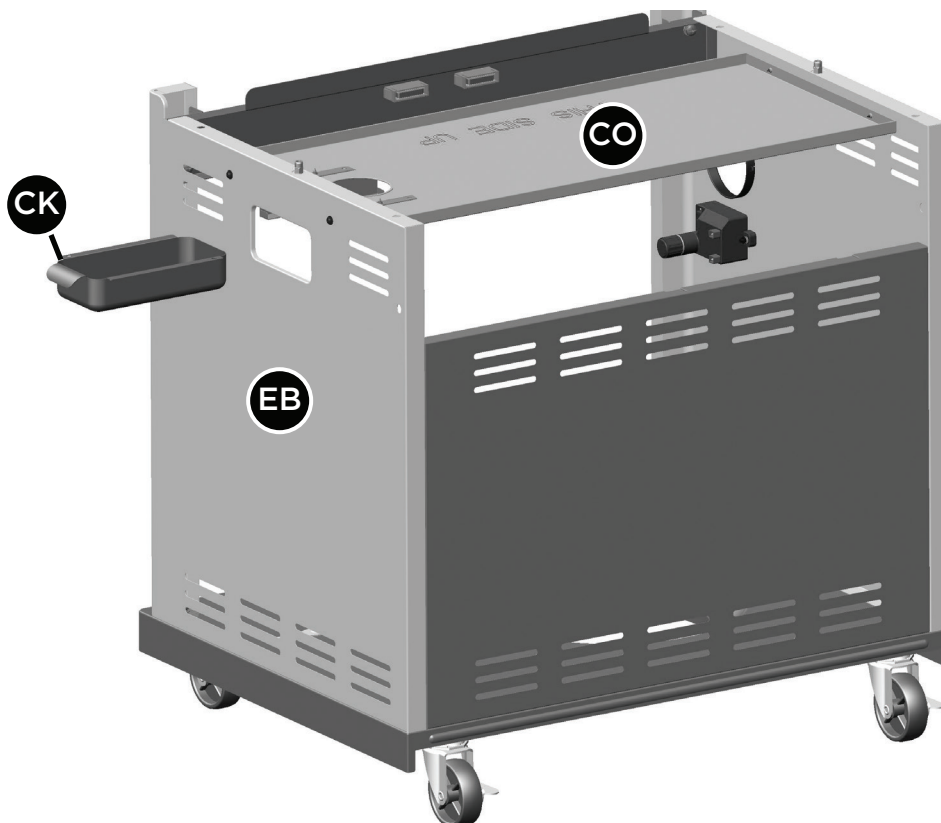


5

C.

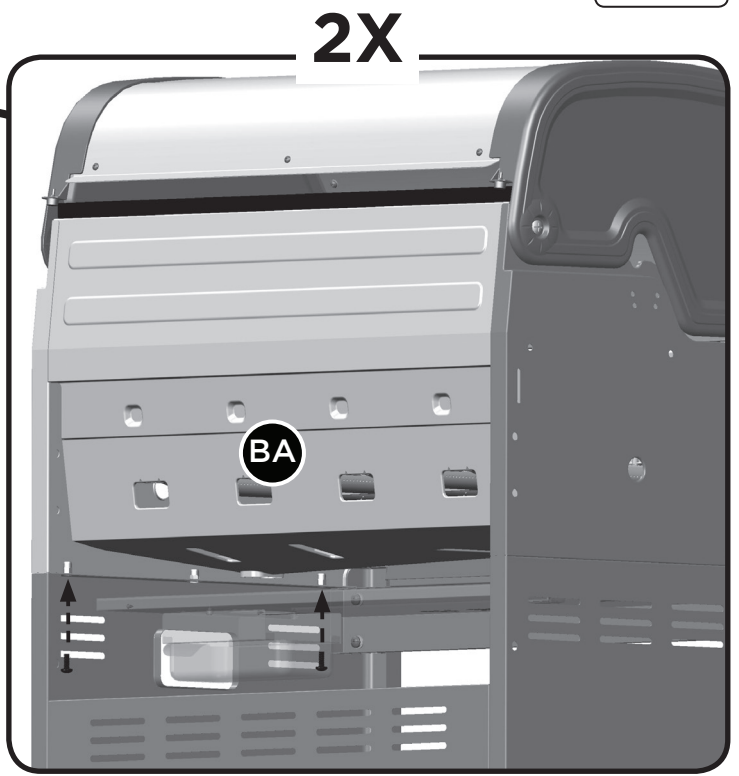
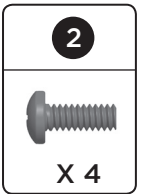
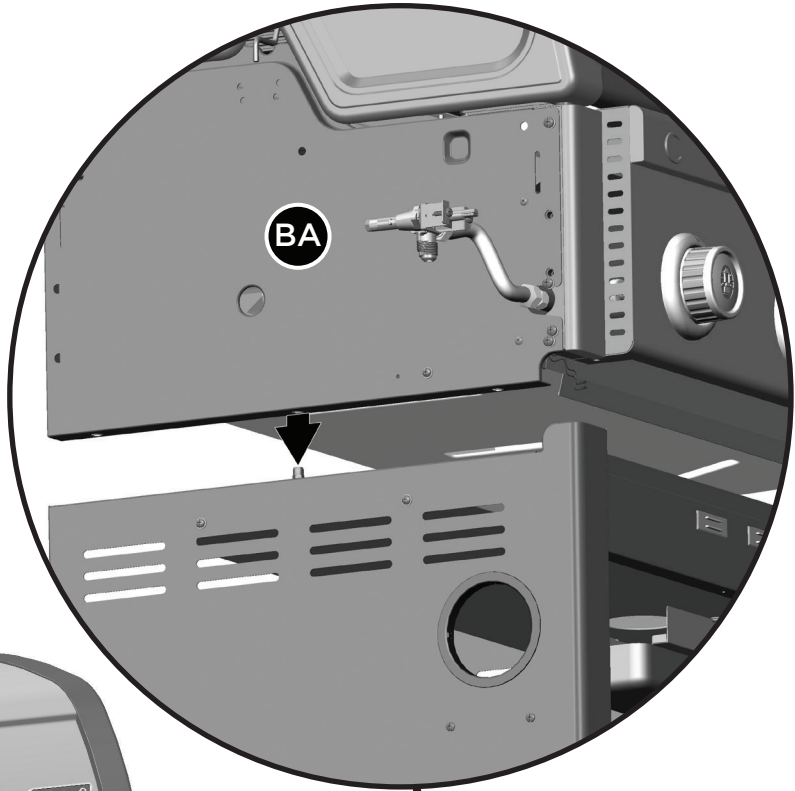


D.



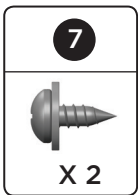
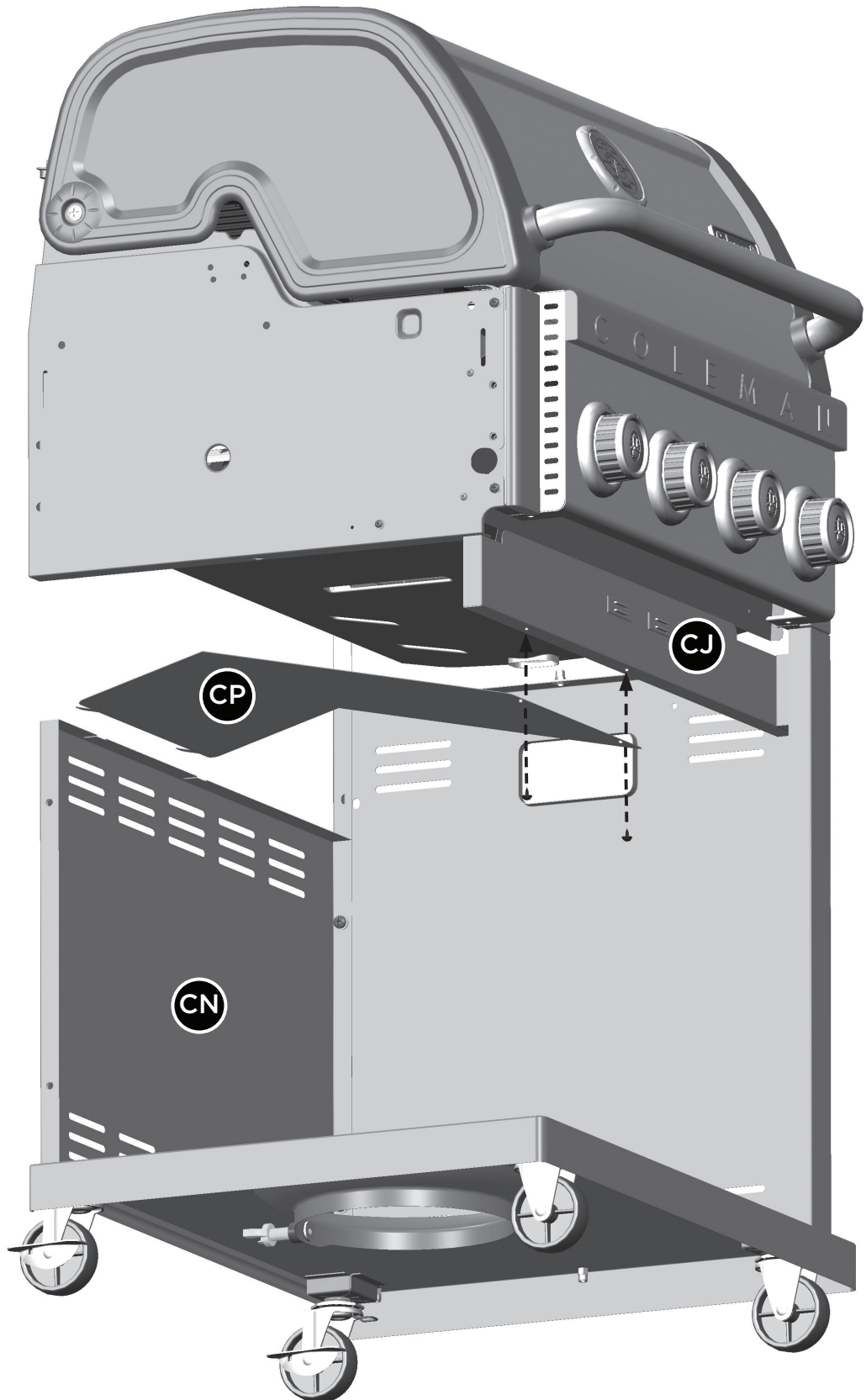
ASSEMBLY INSTRUCTIONS

6

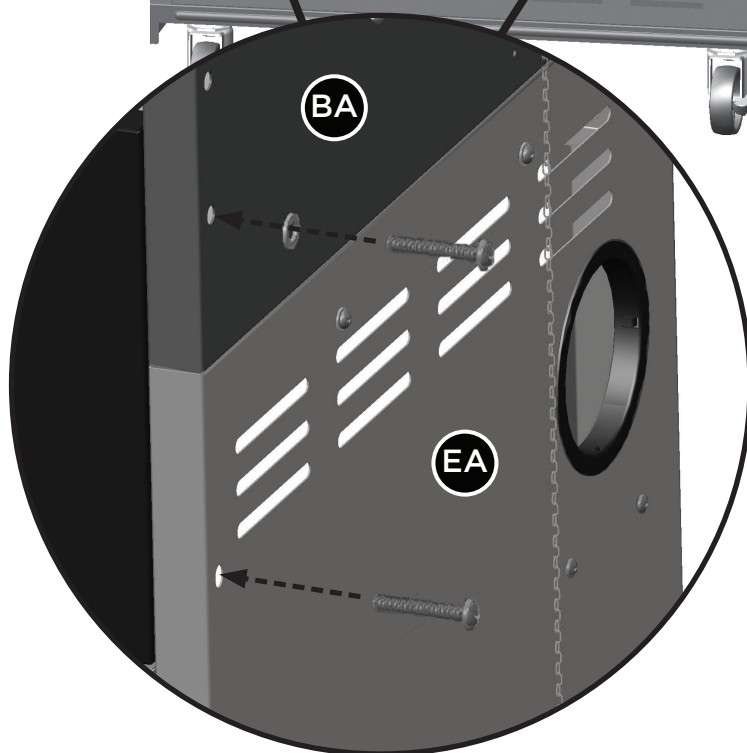
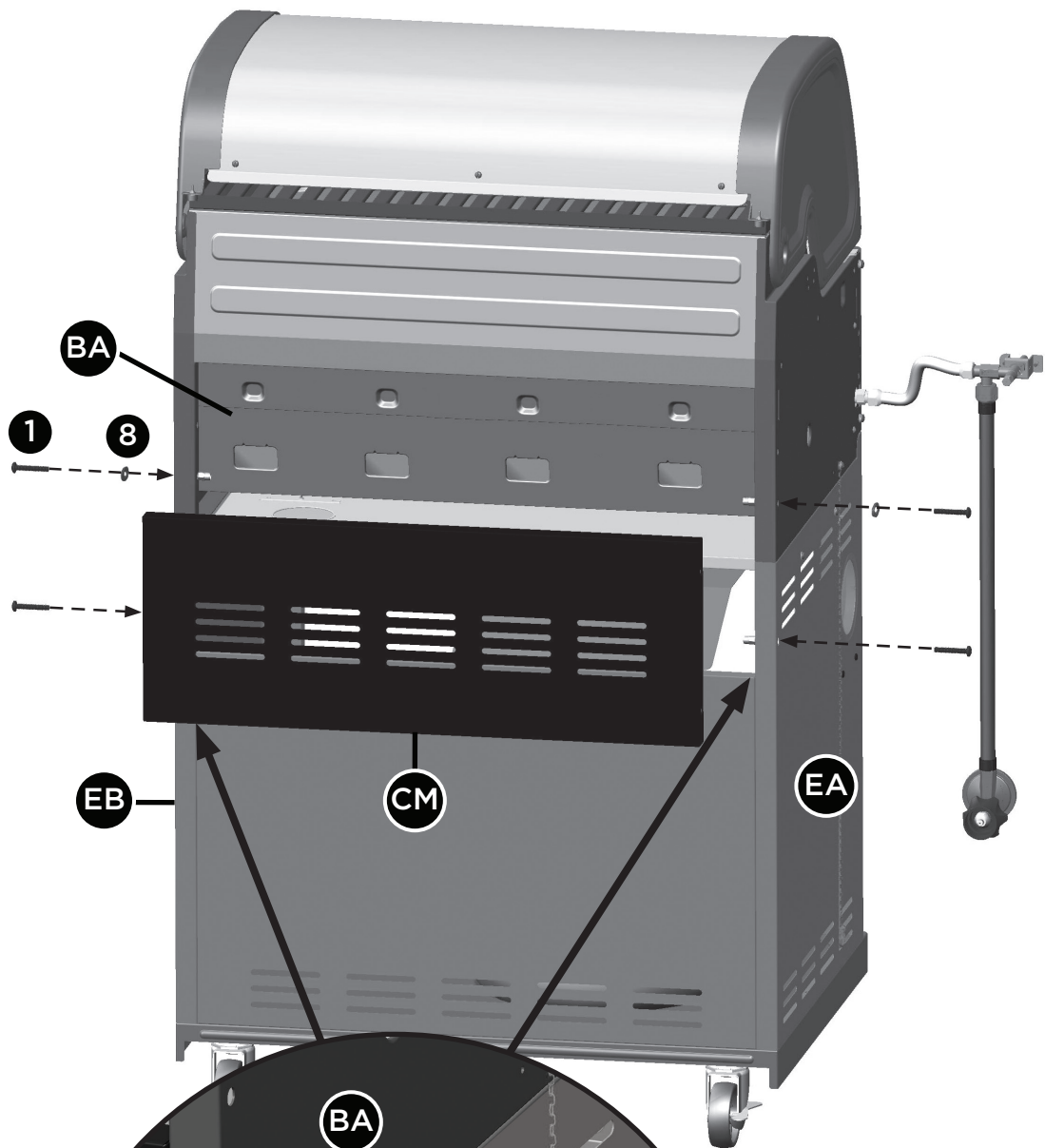




⚠ WARNING:
WATCH YOUR HANDS!

7



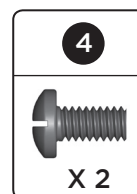
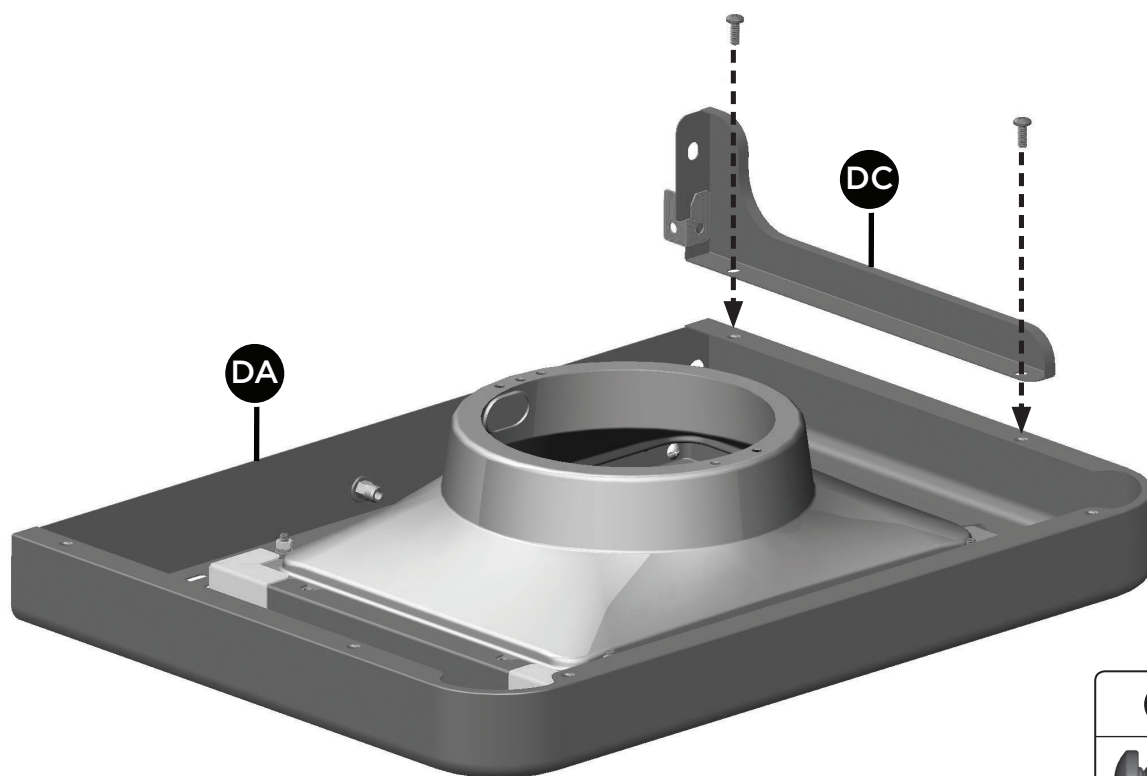
8



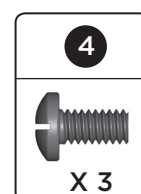
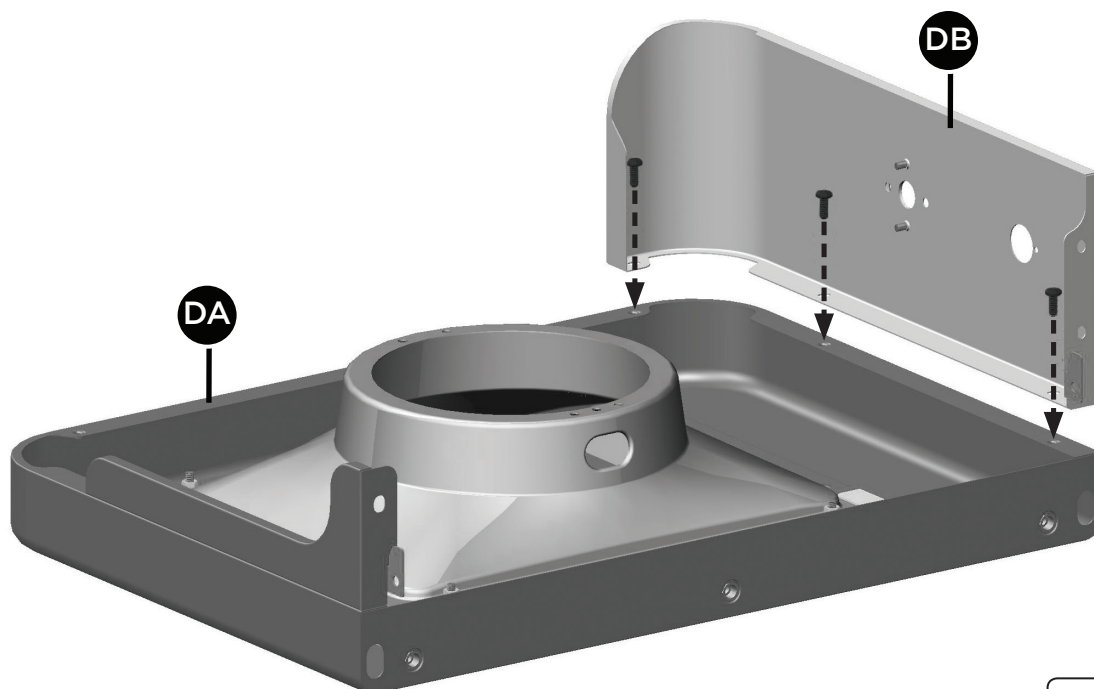
1	8
	
X 4	X 2

9

A.



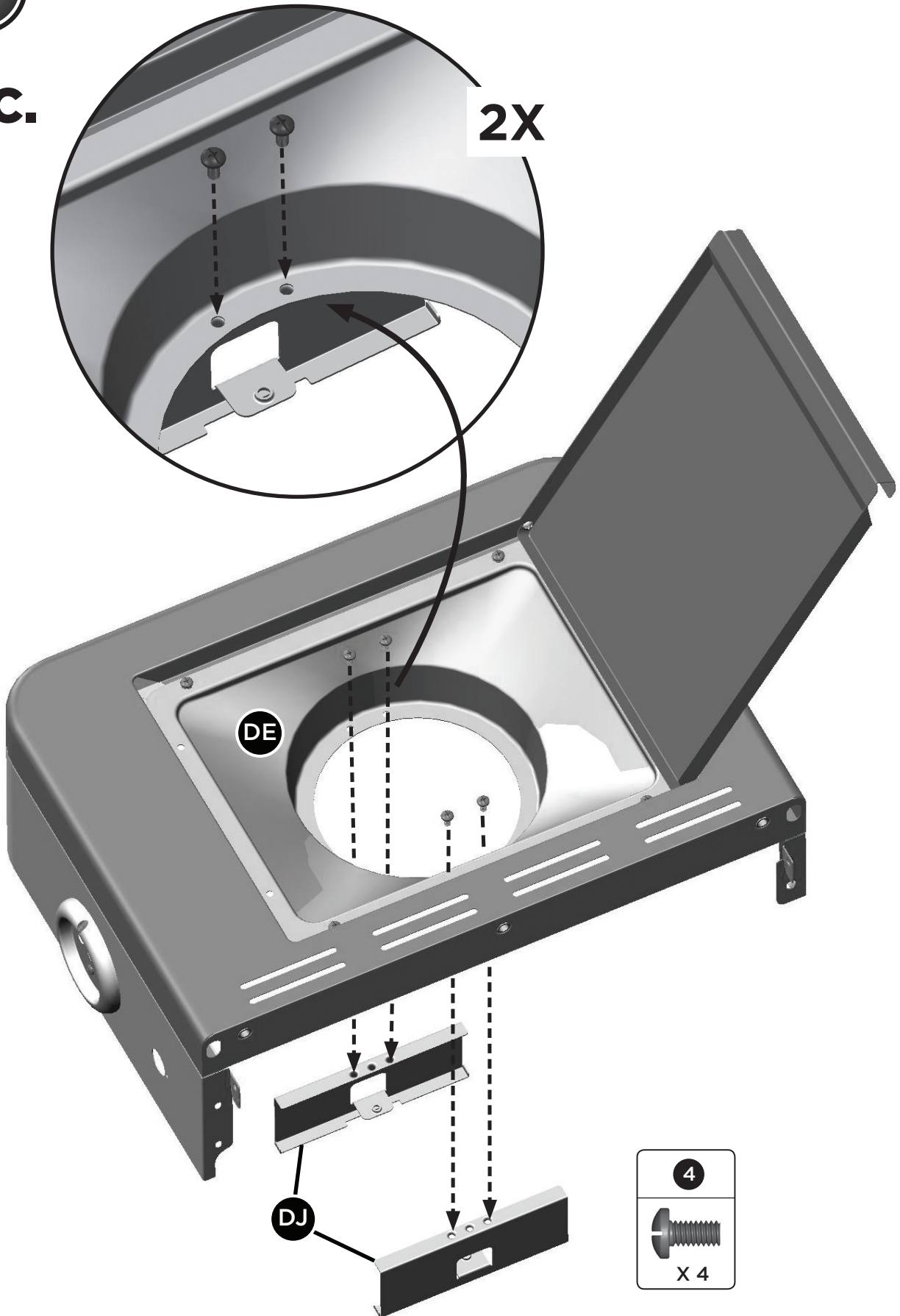
B.



9

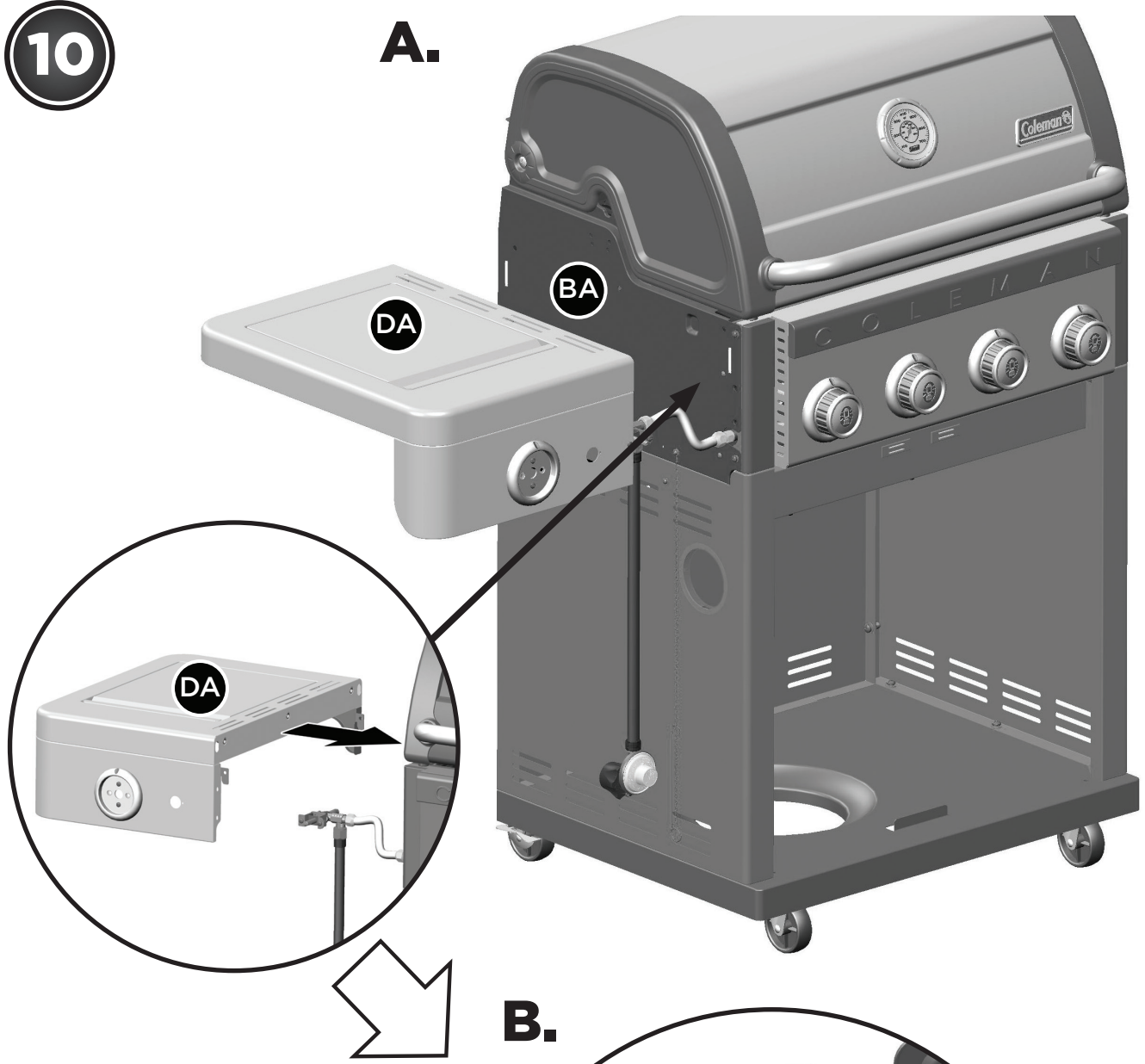
C.

2X

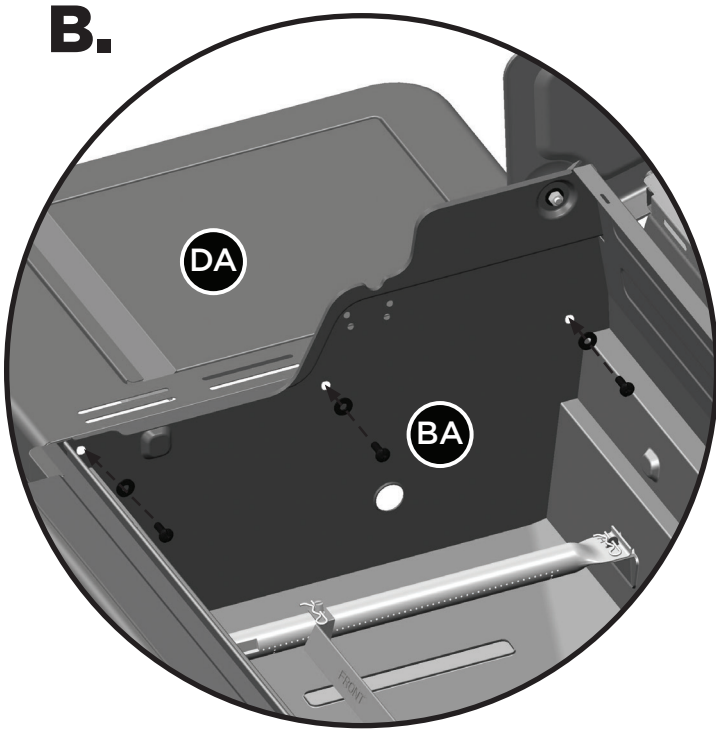


10



A.



B.

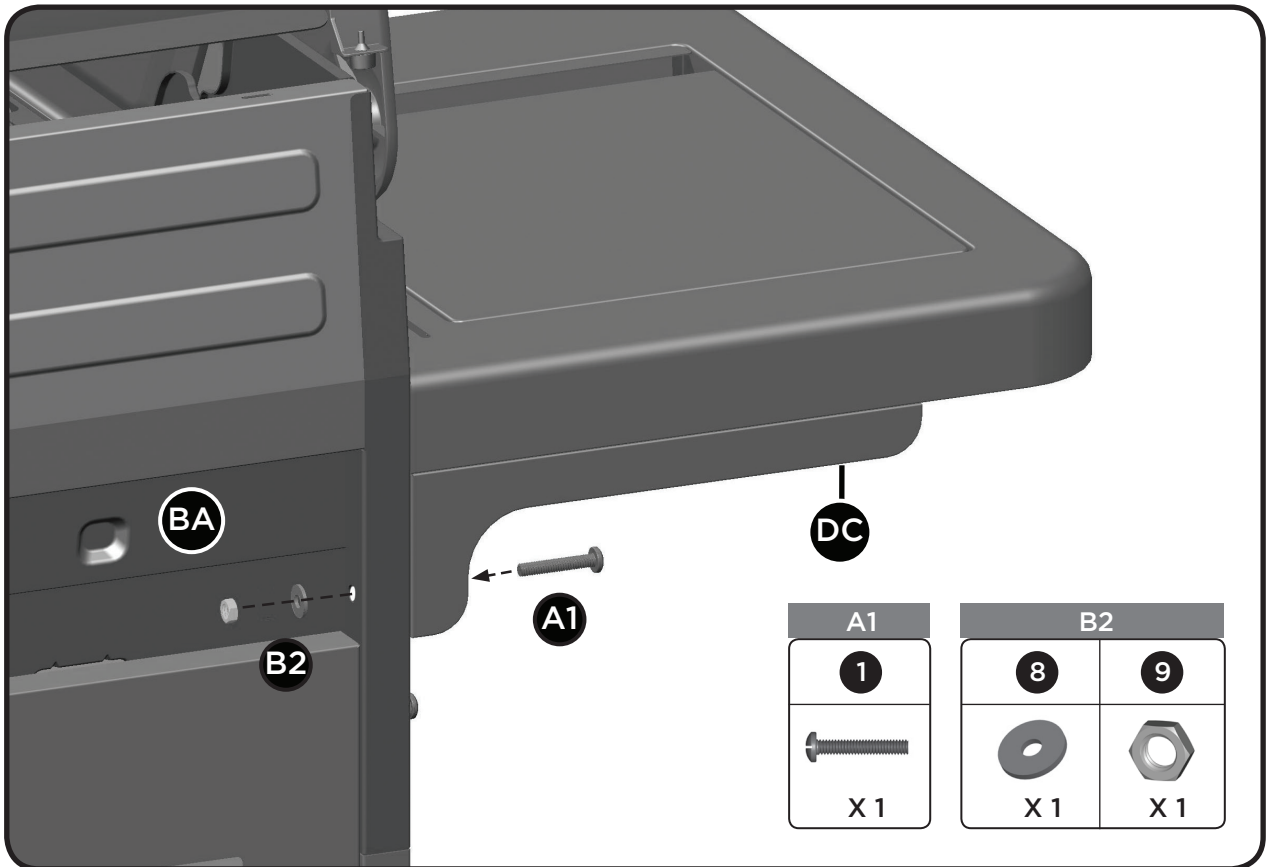


TIP:
Ensure that the rubber side of the rubberized washer makes contact with the burner box.

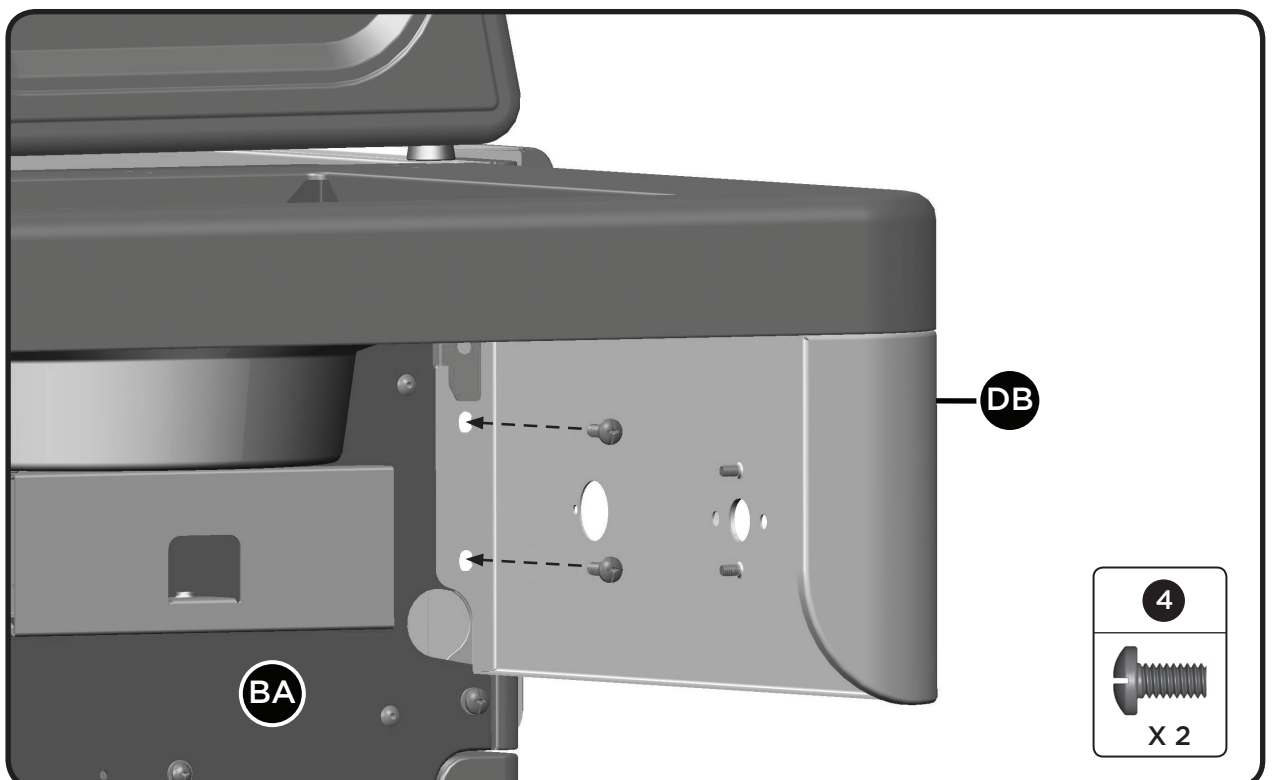
2	8
	
X 3	X 3

10

C.

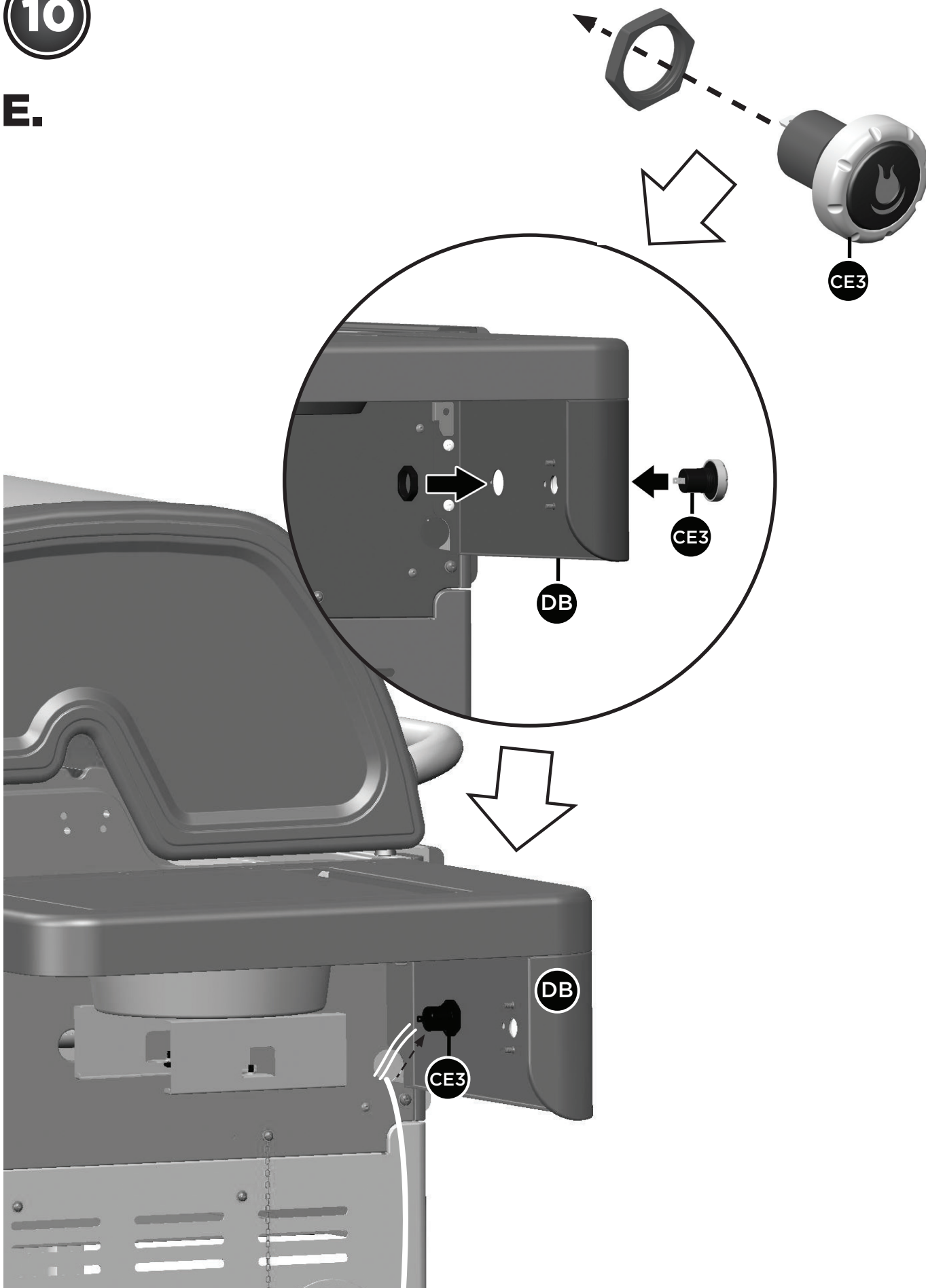


D.

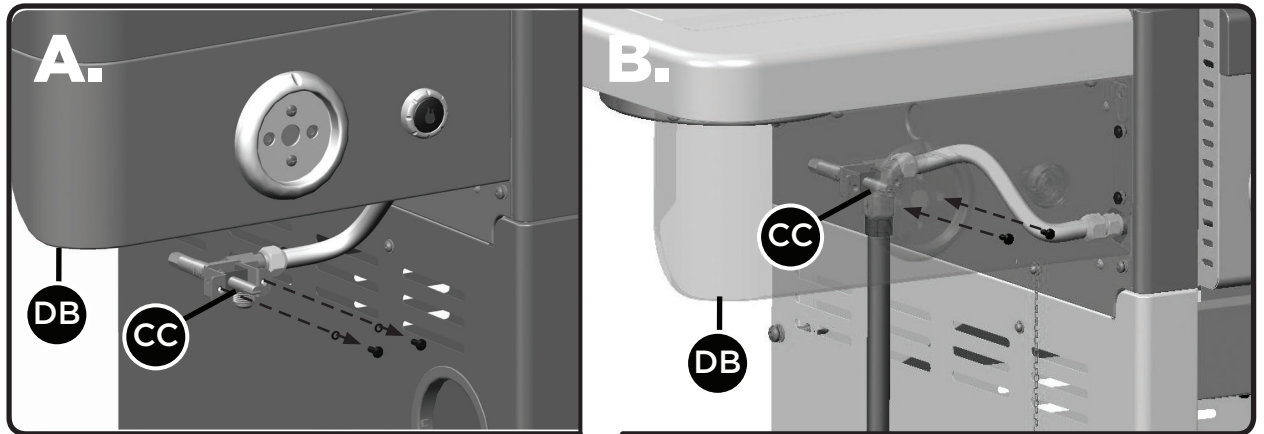


10

E.





11

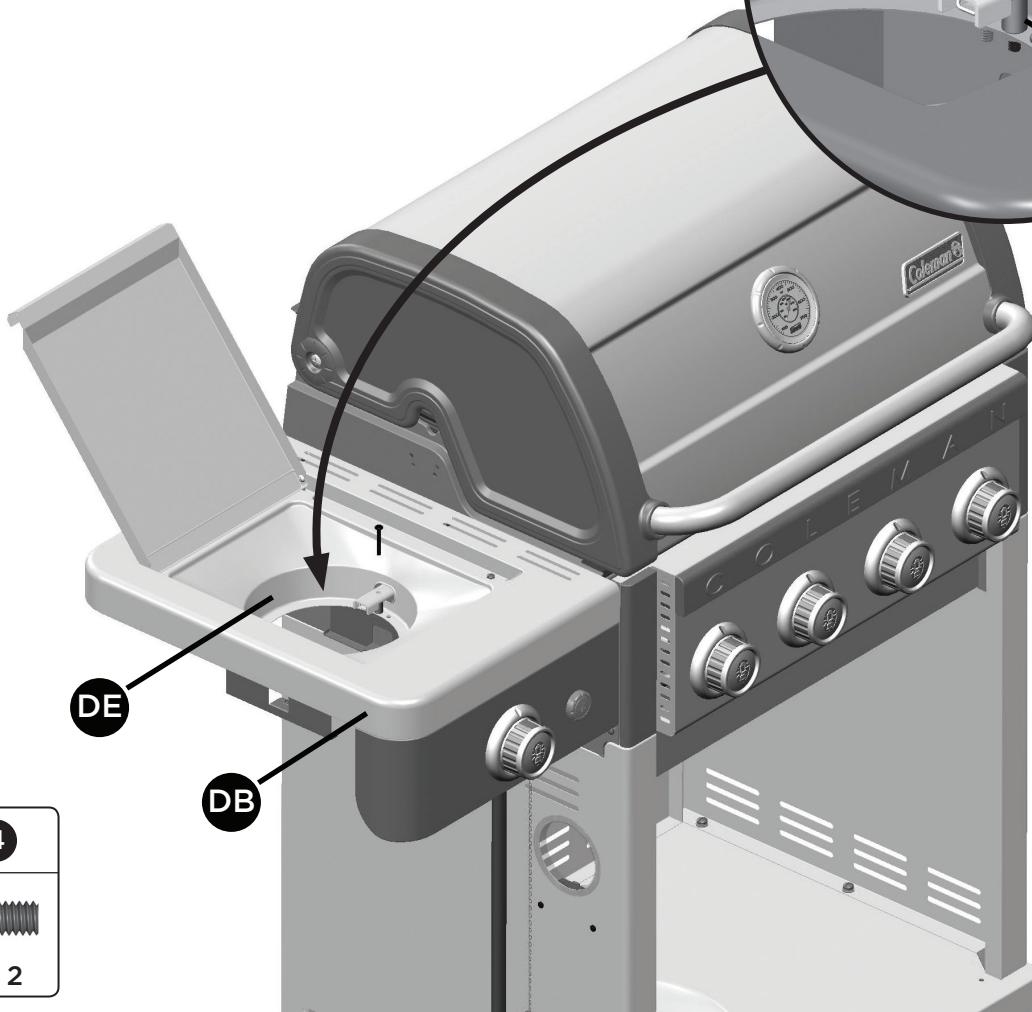
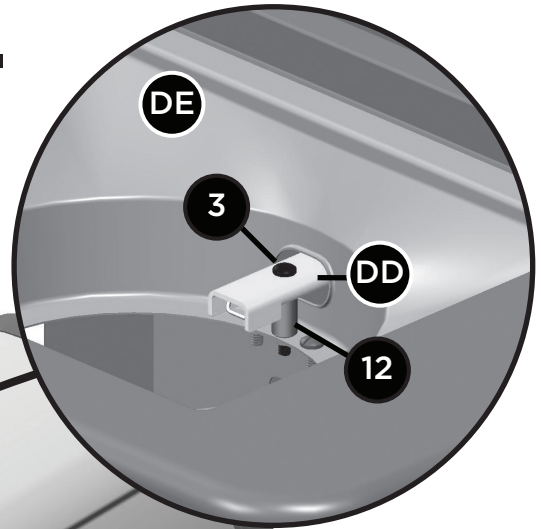



ASSEMBLY INSTRUCTIONS

11

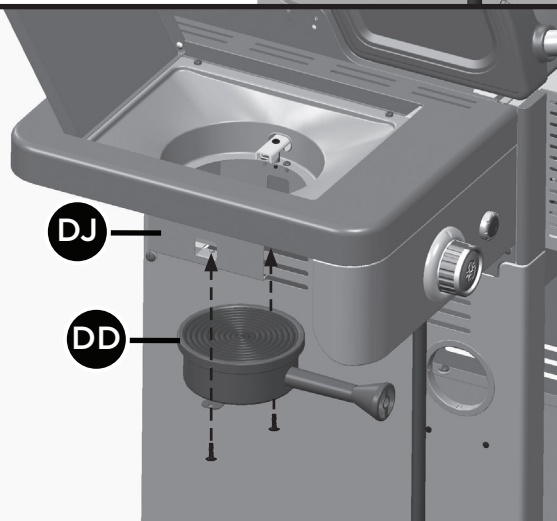
D.

3	12
	
X 1	X 1

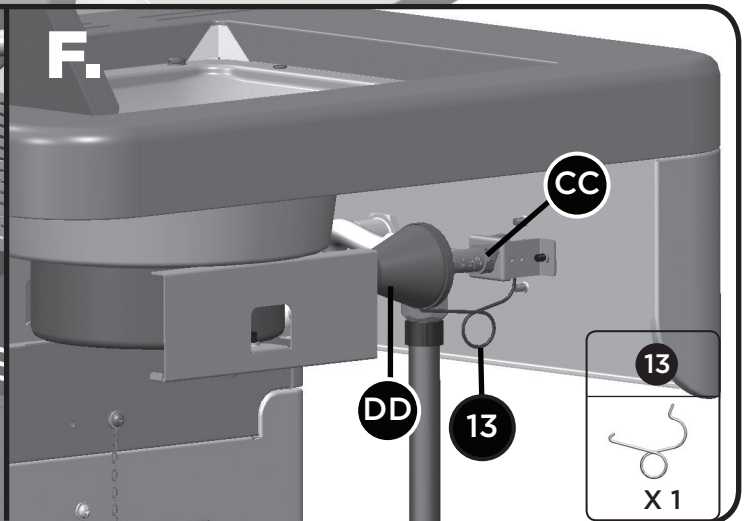



4

X 2

E.



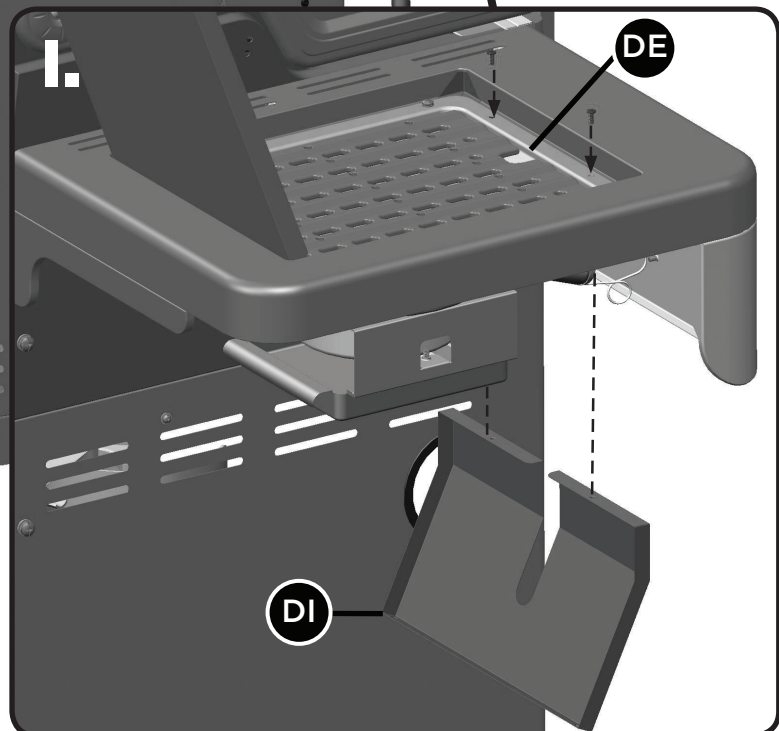
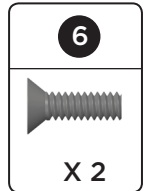
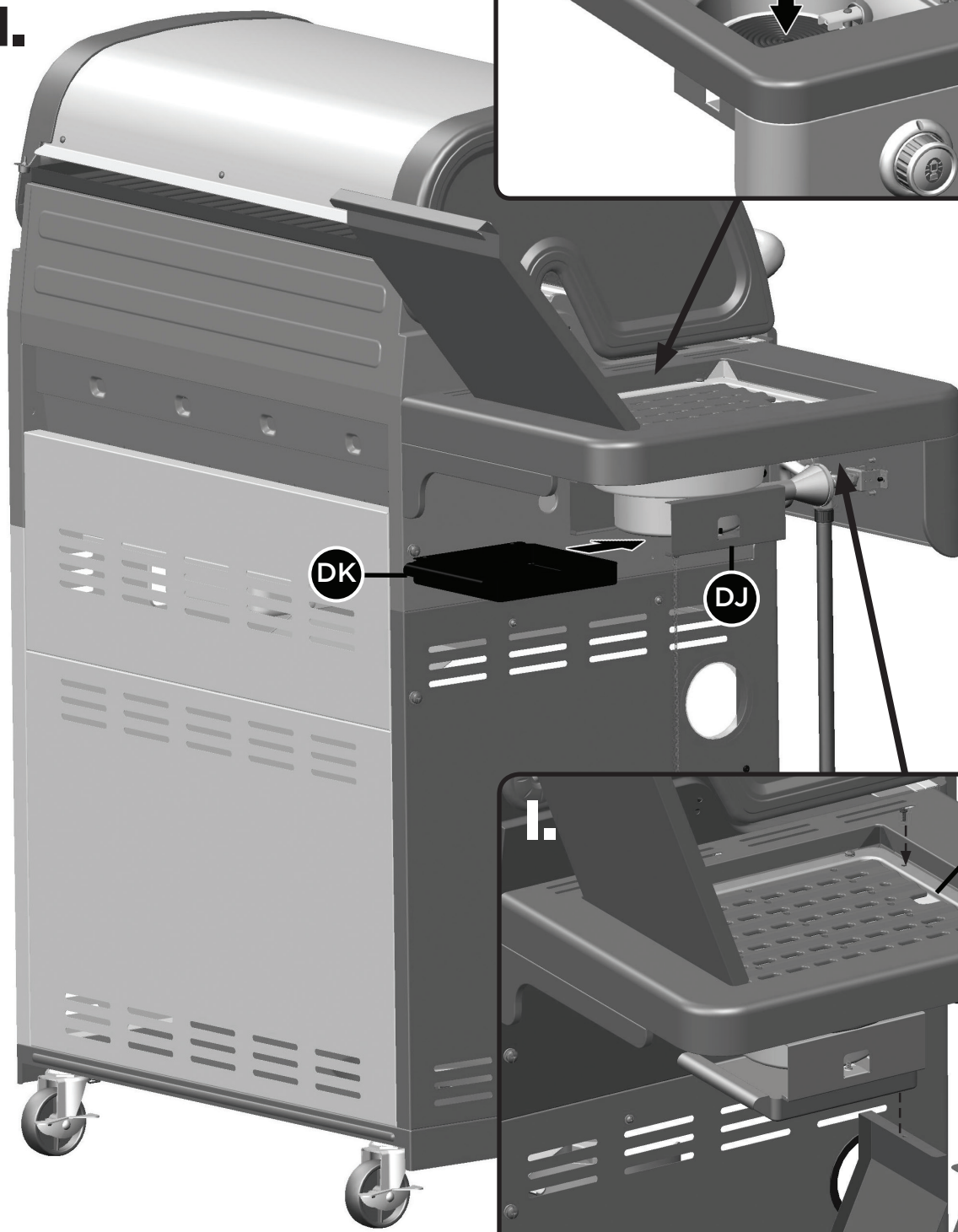
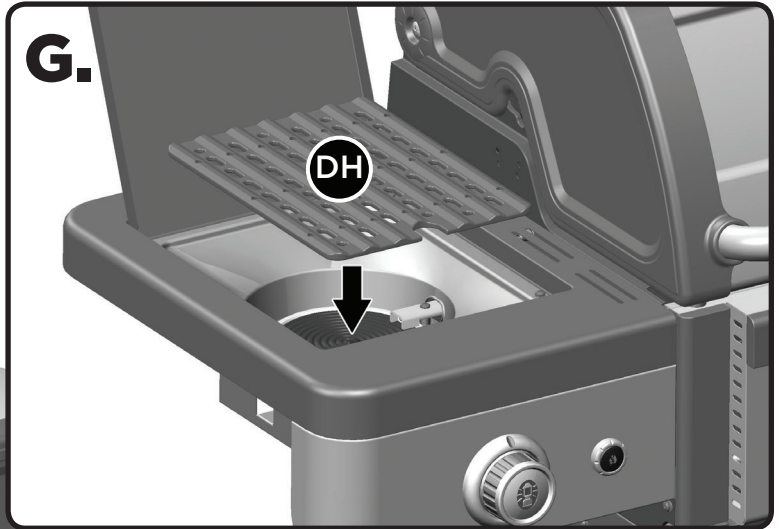
F.



13

X 1

11

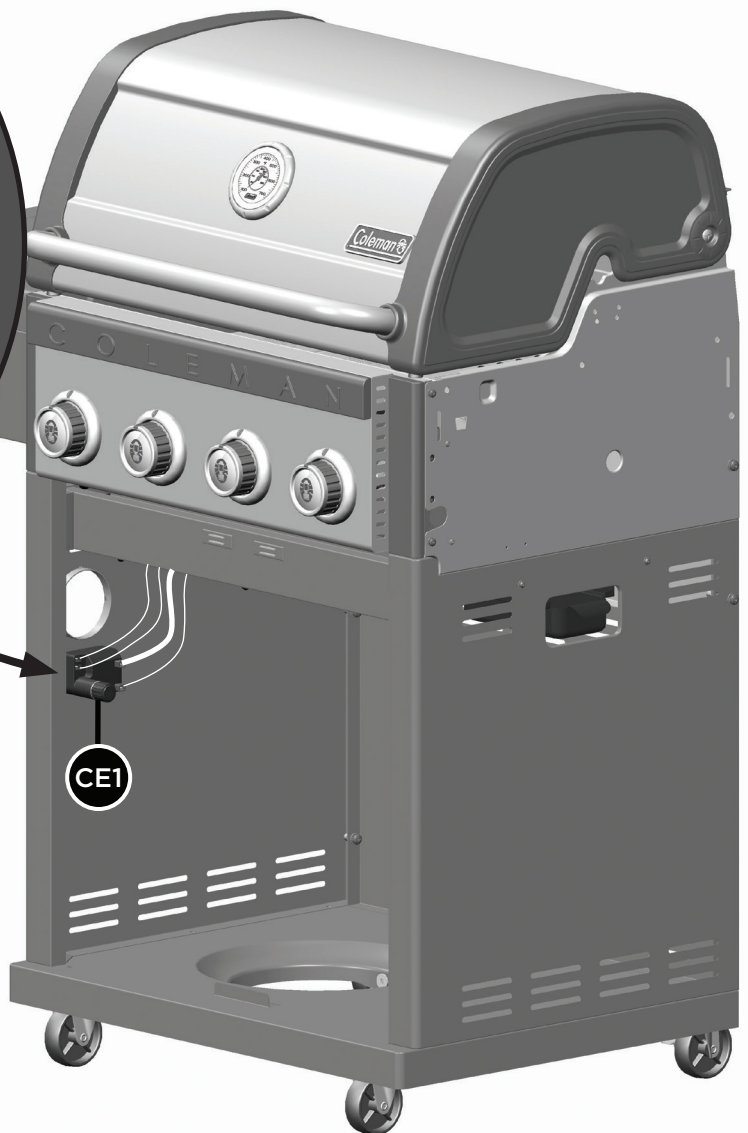
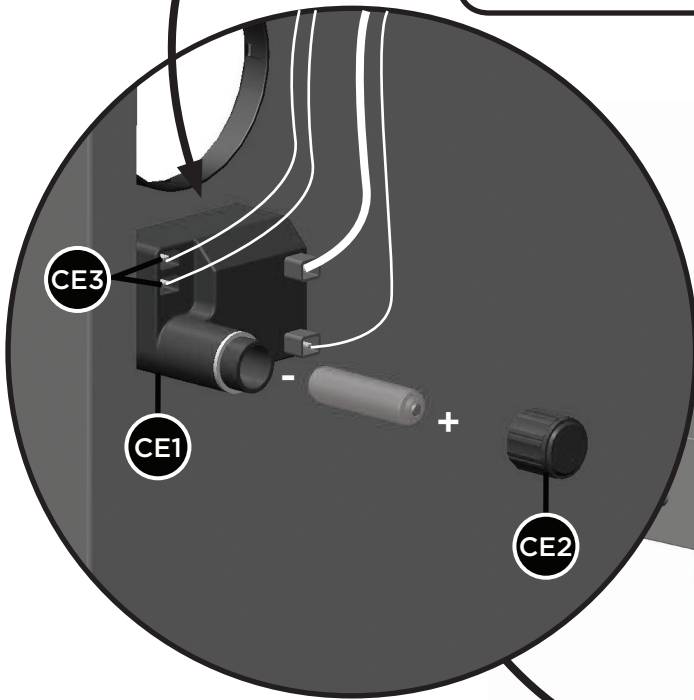
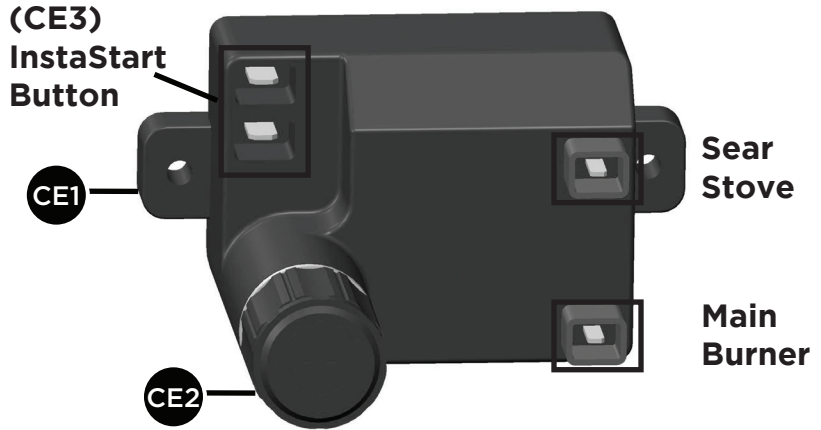
H.



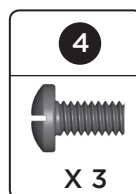
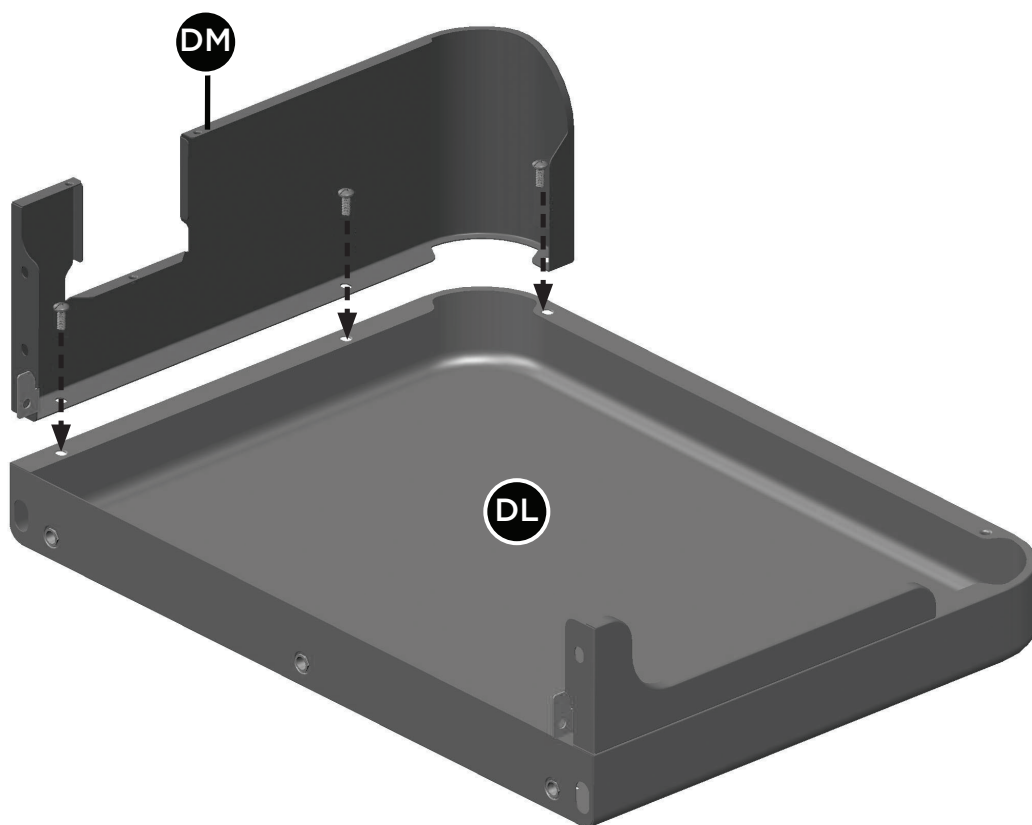
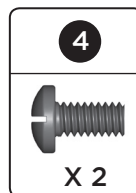
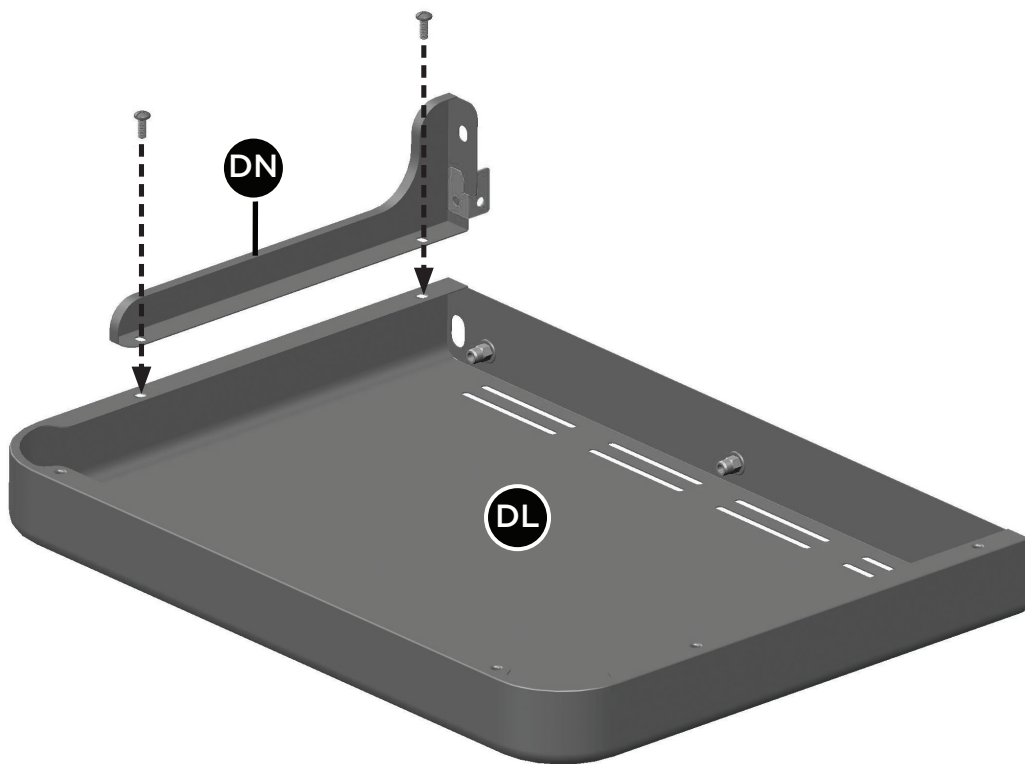
12

Electronic Ignition Assembly

The electrode sets for main burner (CF), sear stove (DF) and instastart buttons (CE3) are found under the control panel, attached to the manifold (CA). Insert them into the electronic ignition (CE1).

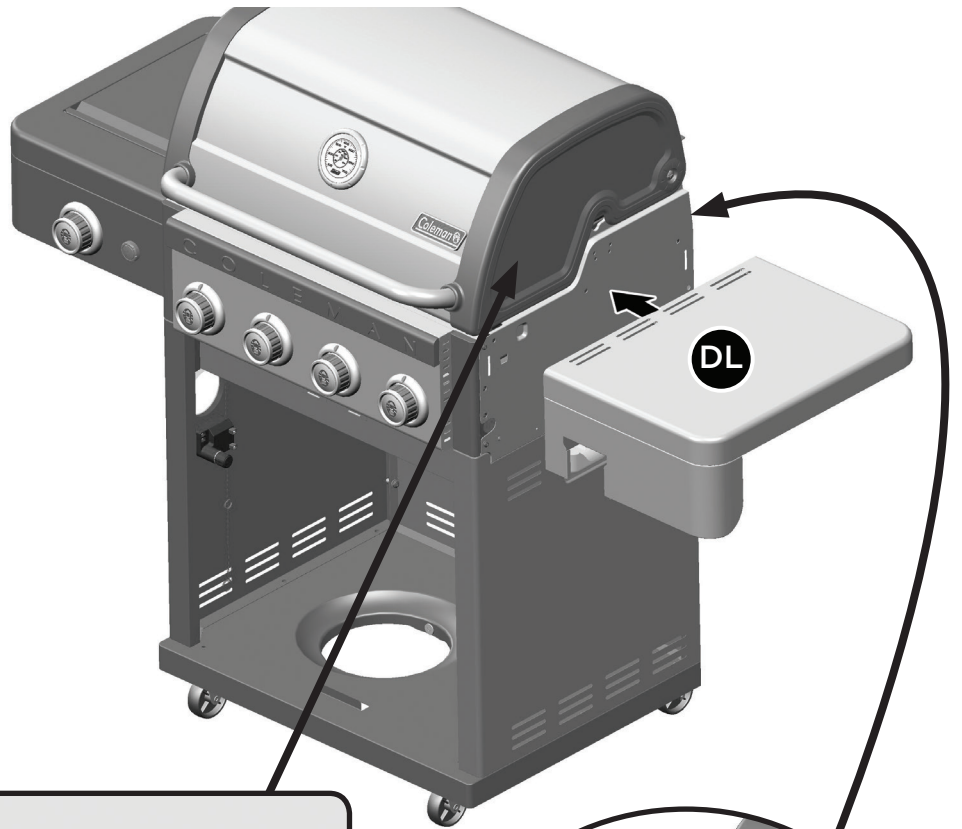


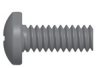

13

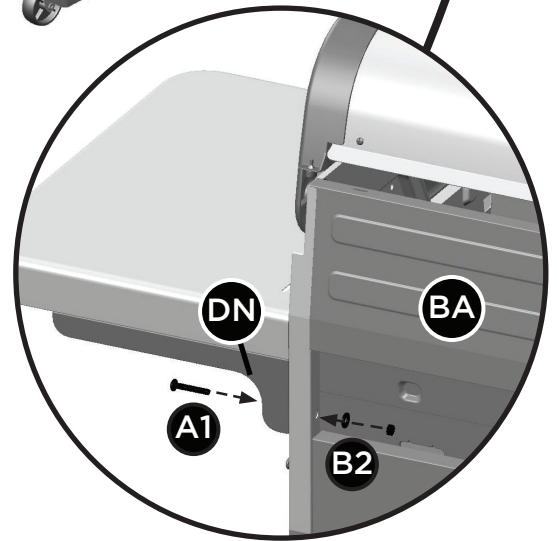
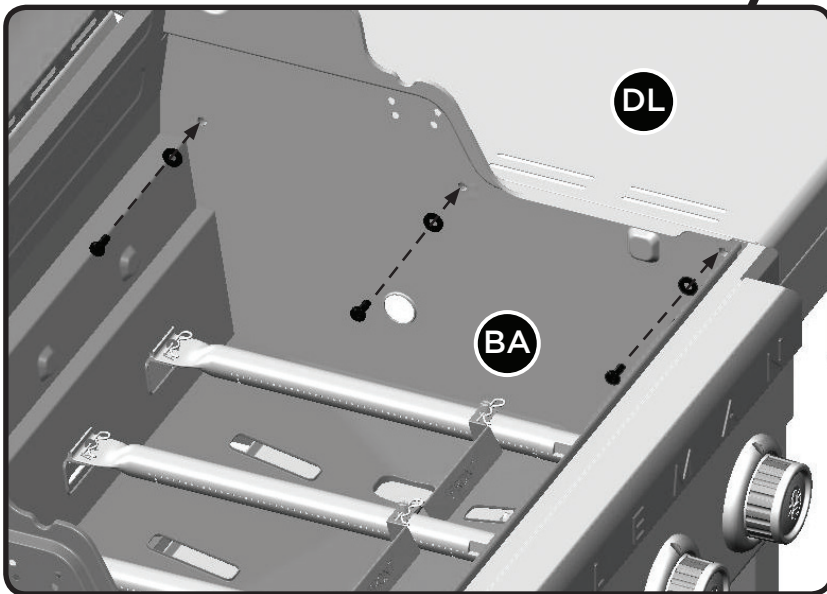



ASSEMBLY INSTRUCTIONS



14

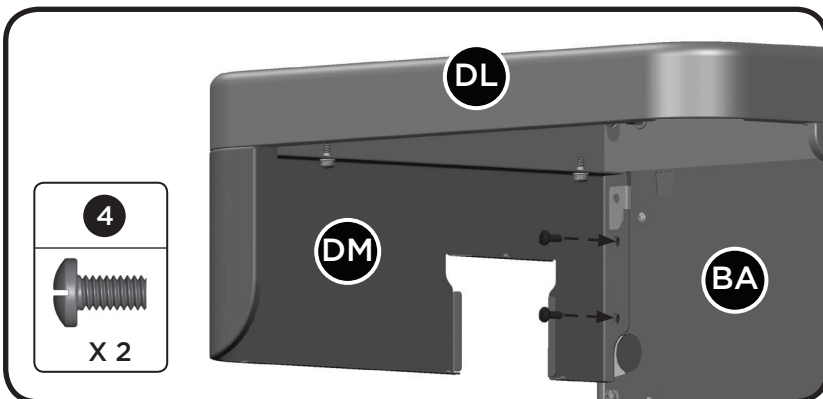


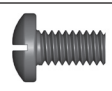
2	8
	
X 3	X 3



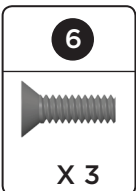
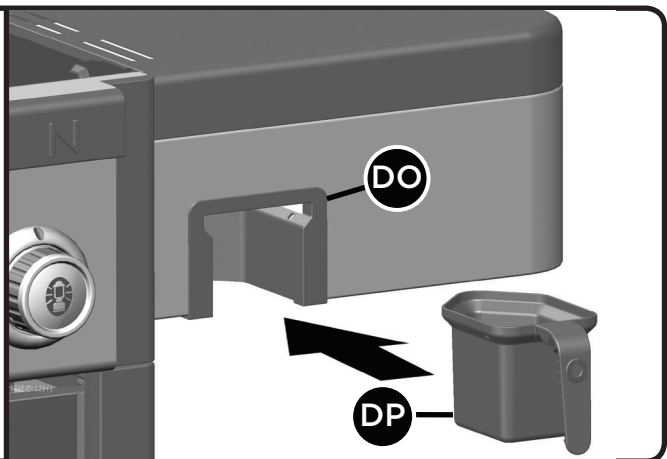
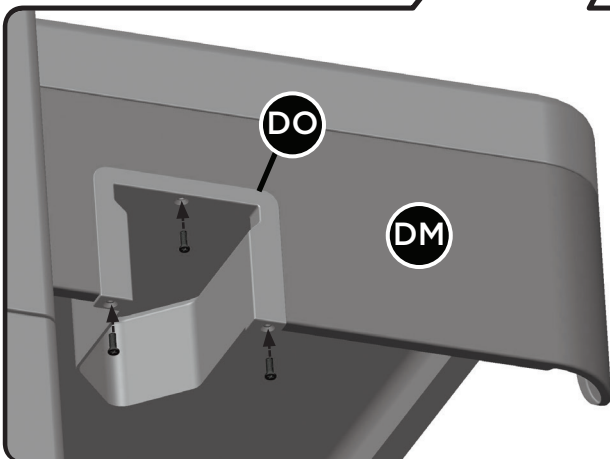
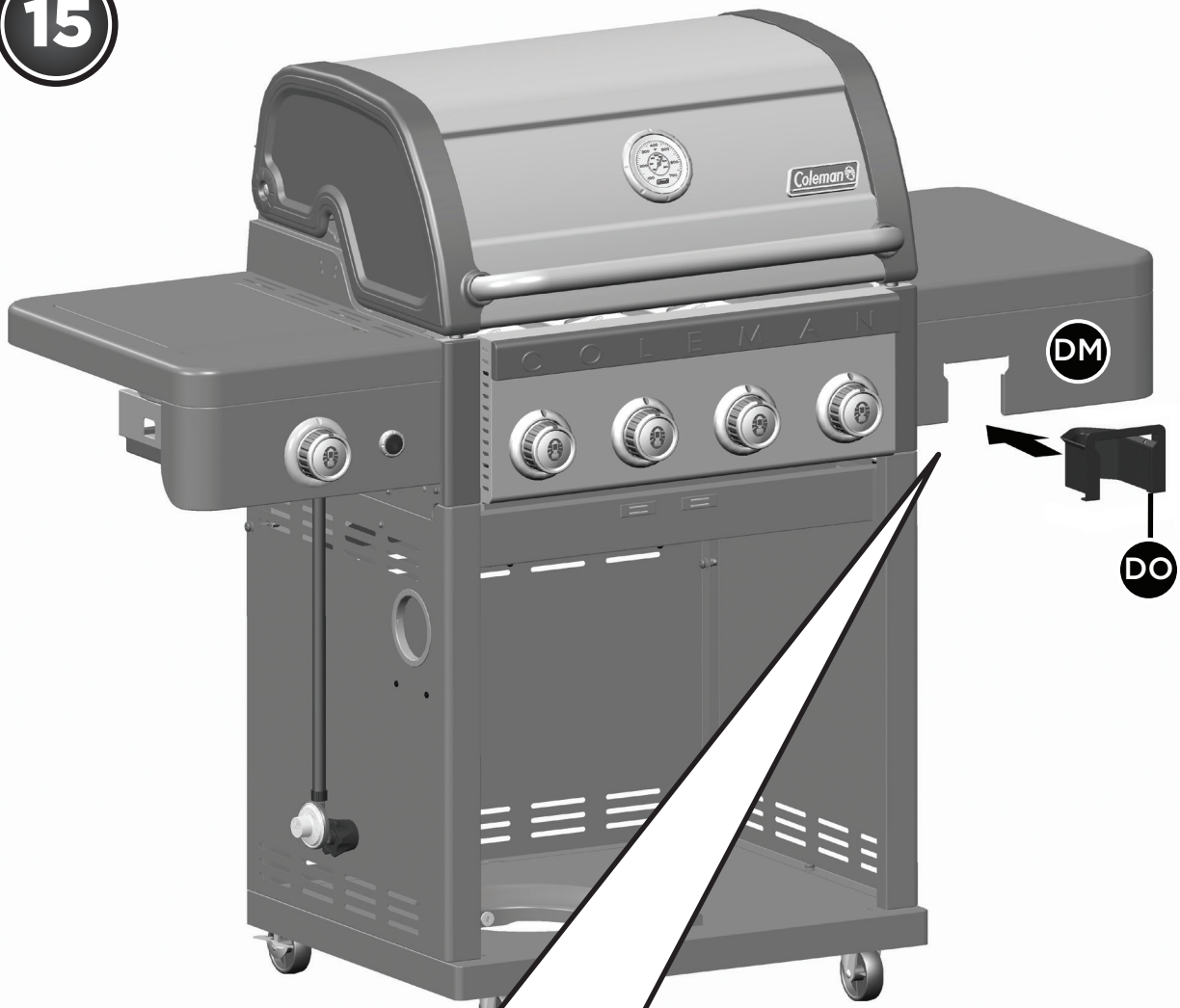
A1
1

X 1

B2	
8	9
	
X 1	X 1



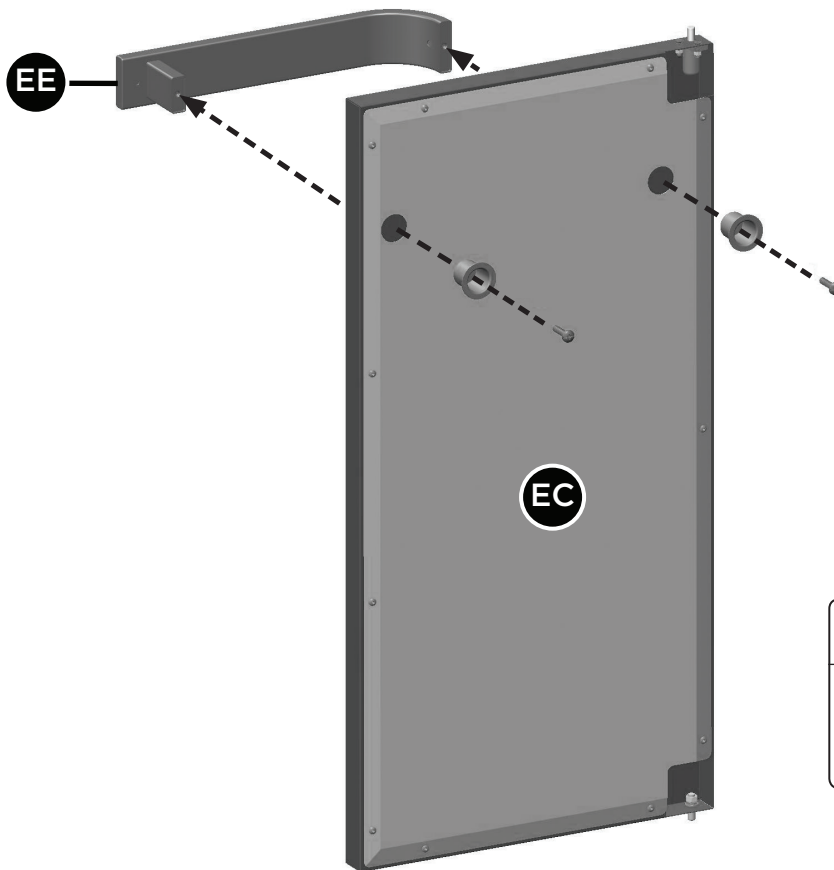
4

X 2



15

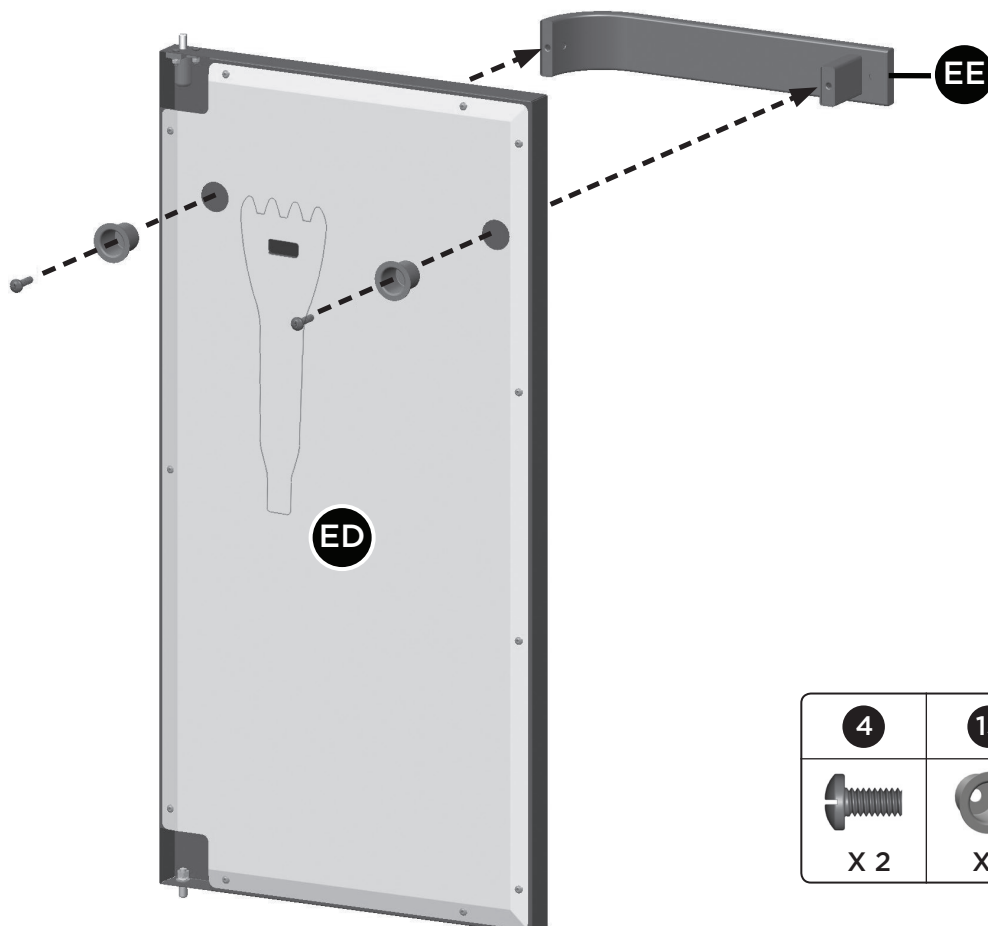




ATTENTION:
EMPTY GREASE CUP AFTER
EACH USE.

16

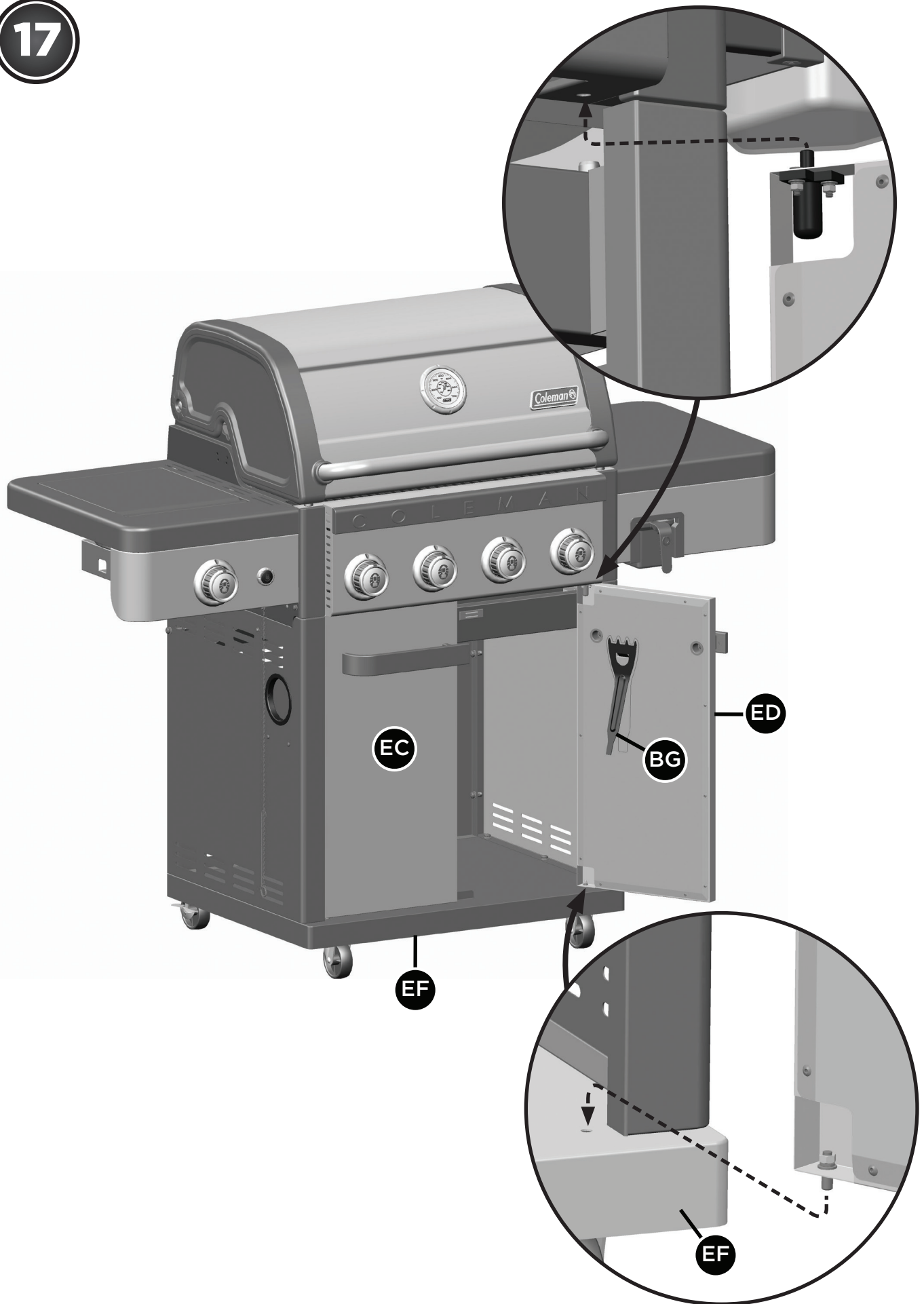


4	15
	
X 2	X 2

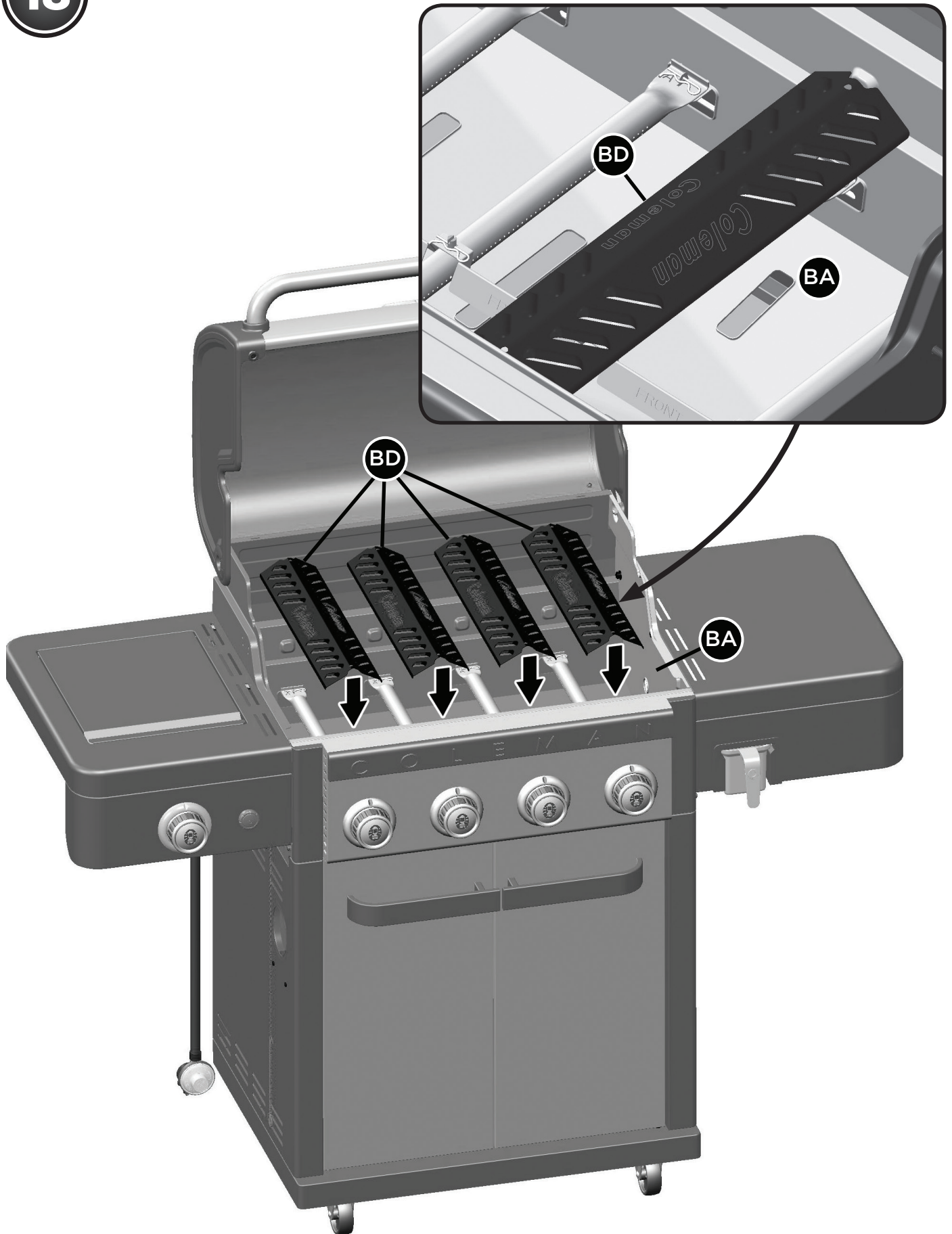


4	15
	
X 2	X 2

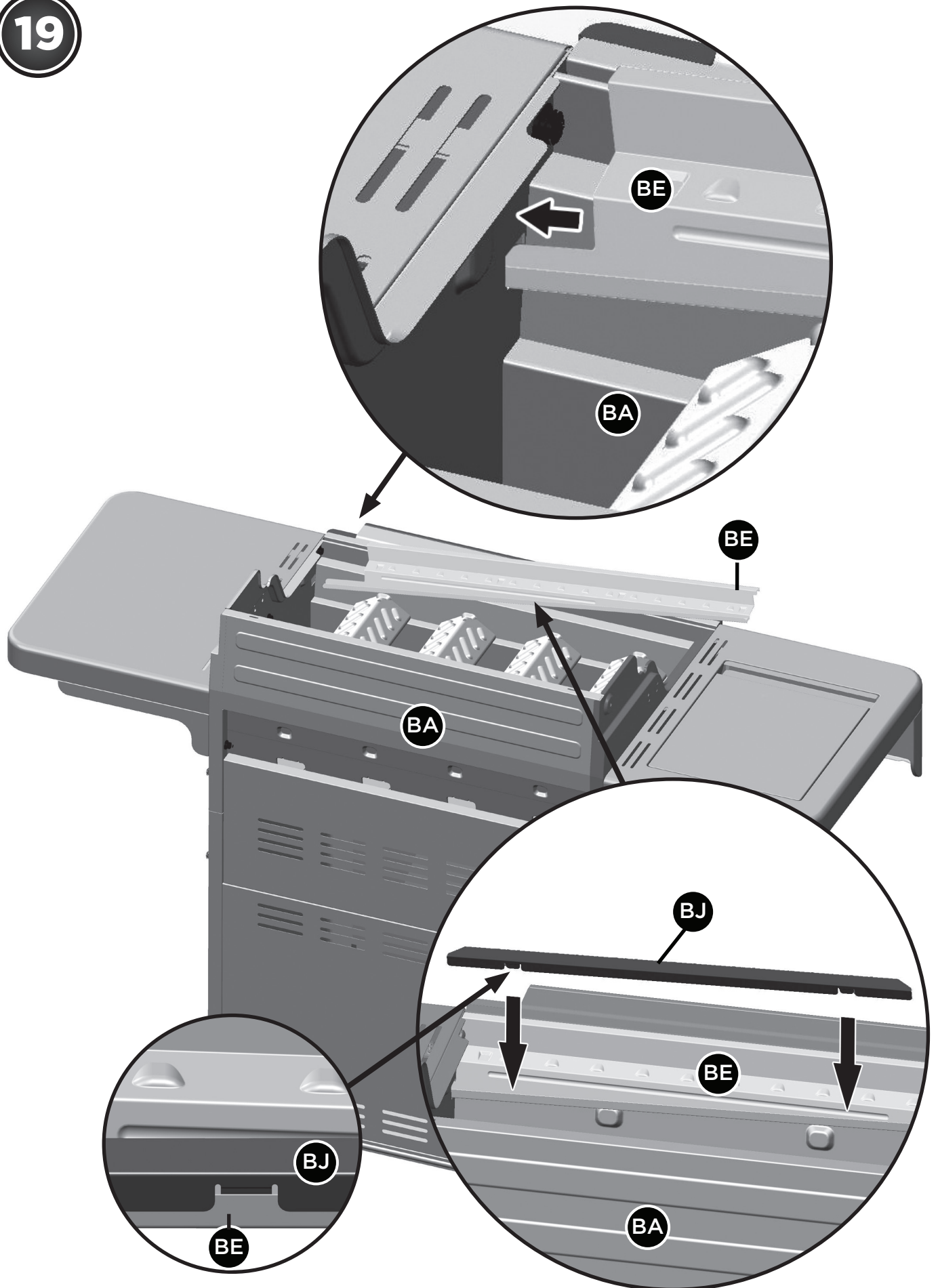
17



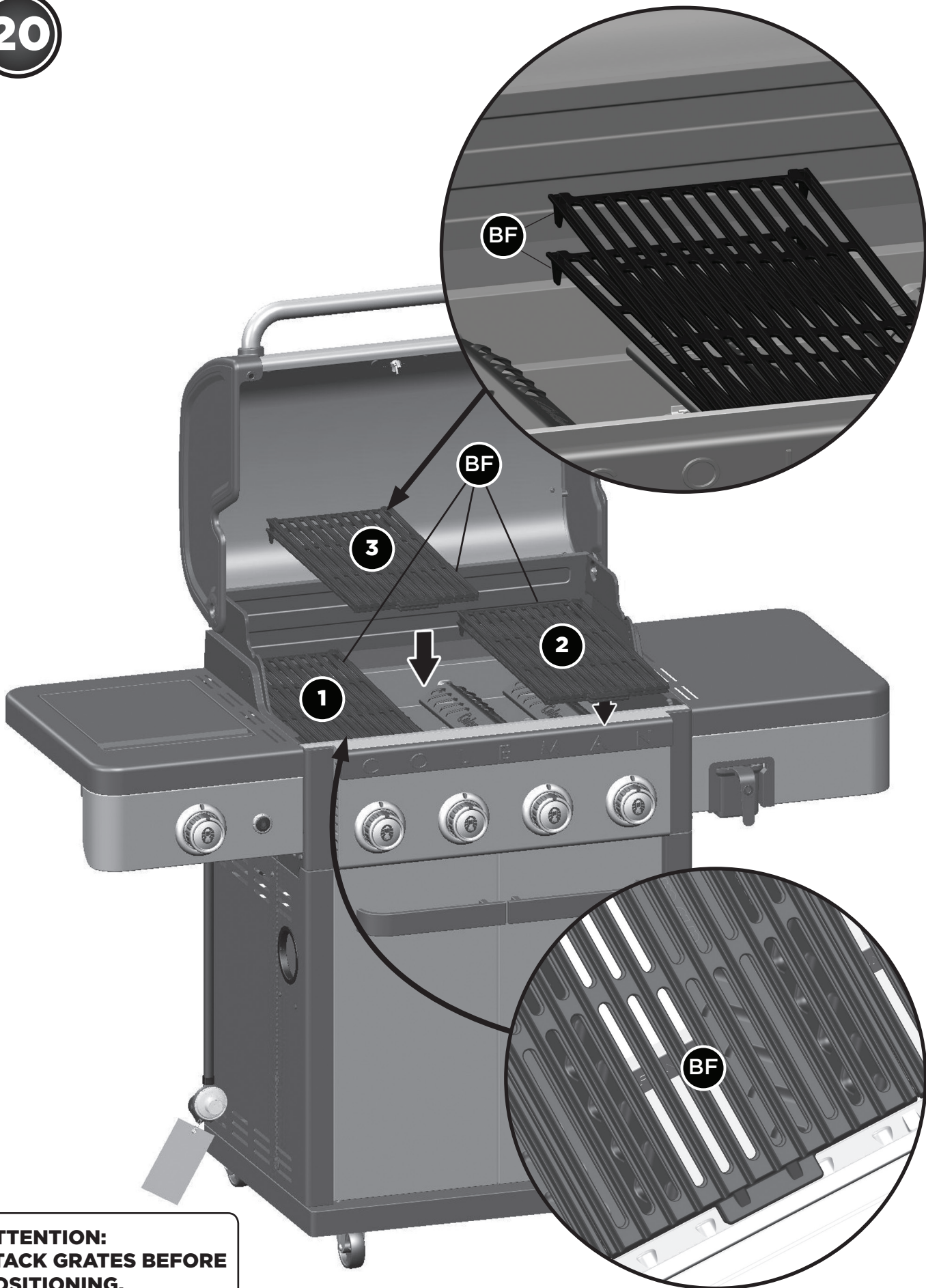
18



19

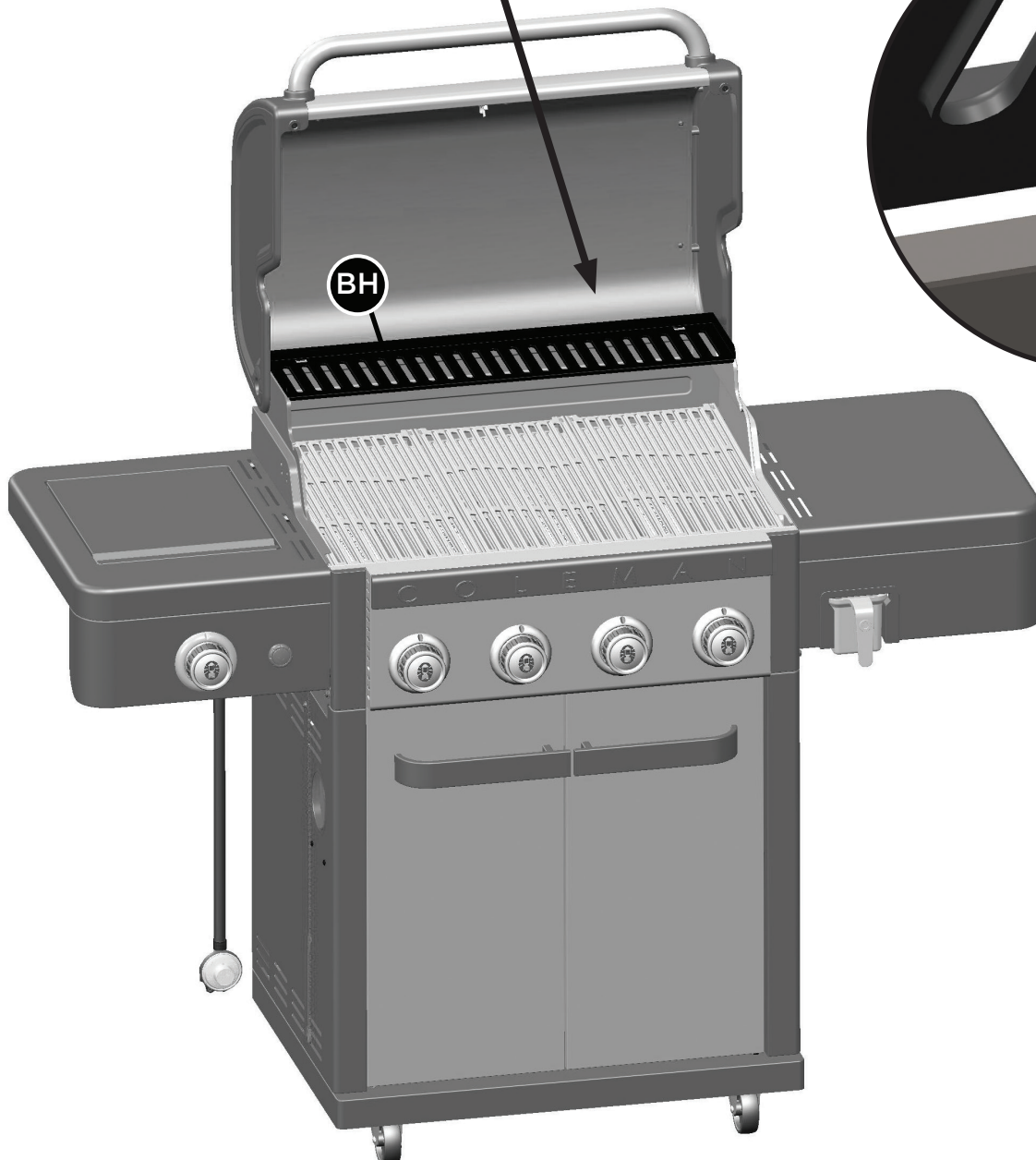
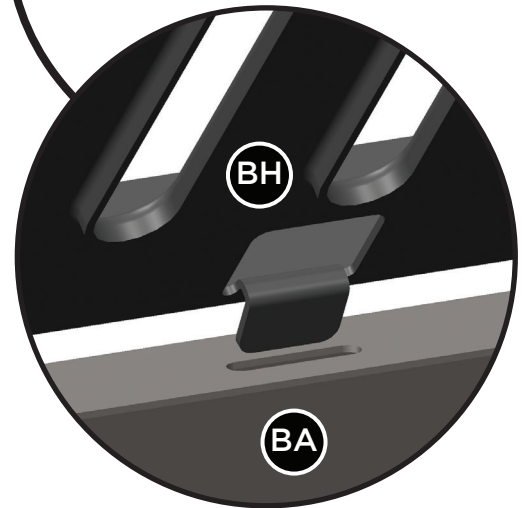
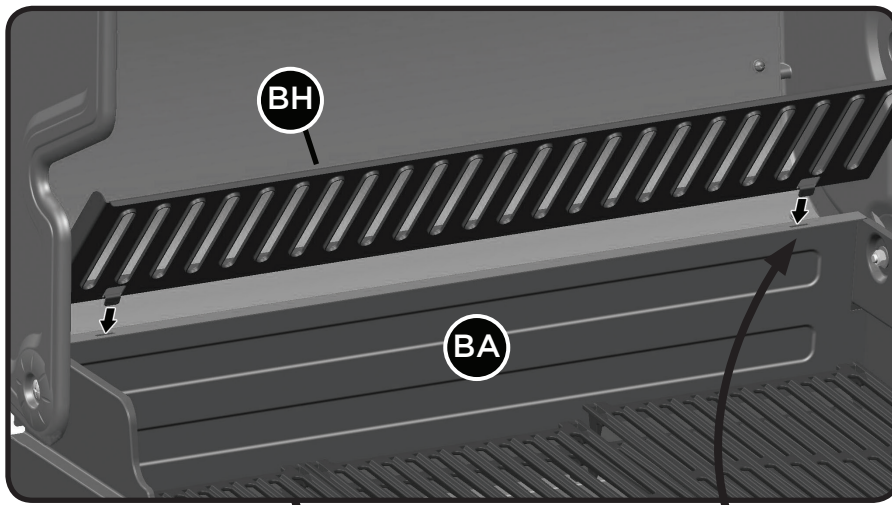


20



**⚠ ATTENTION:
STACK GRATES BEFORE
POSITIONING.**

21

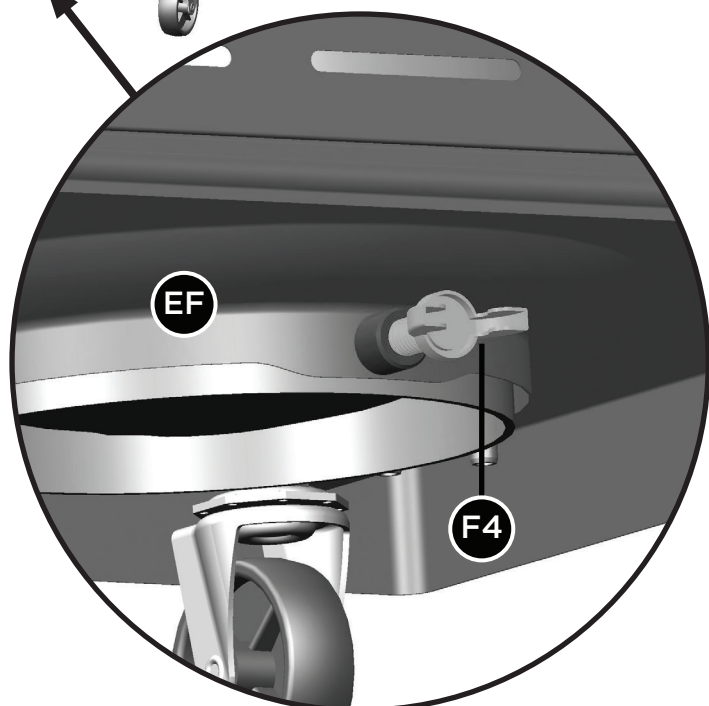


22

**FOR PROPANE
MODEL ONLY**



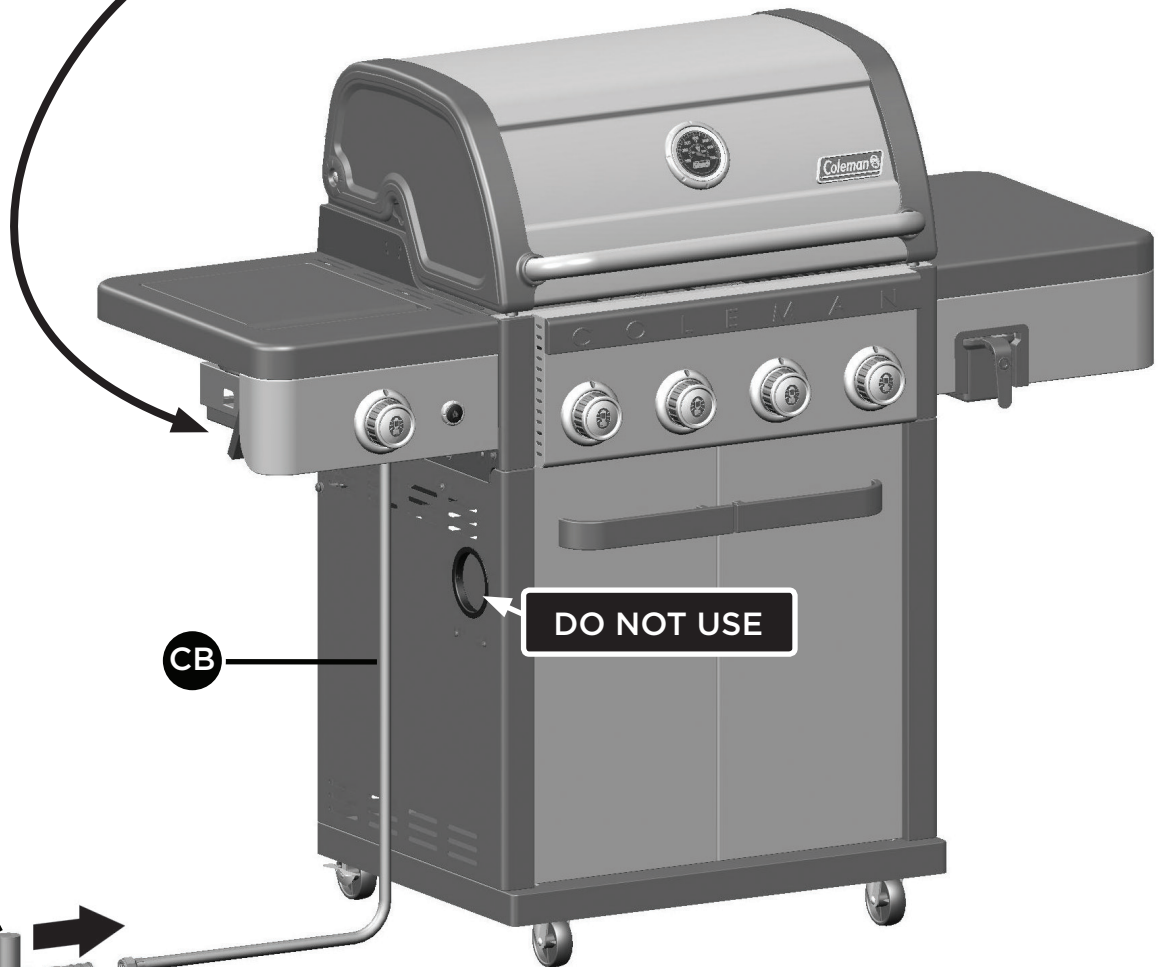
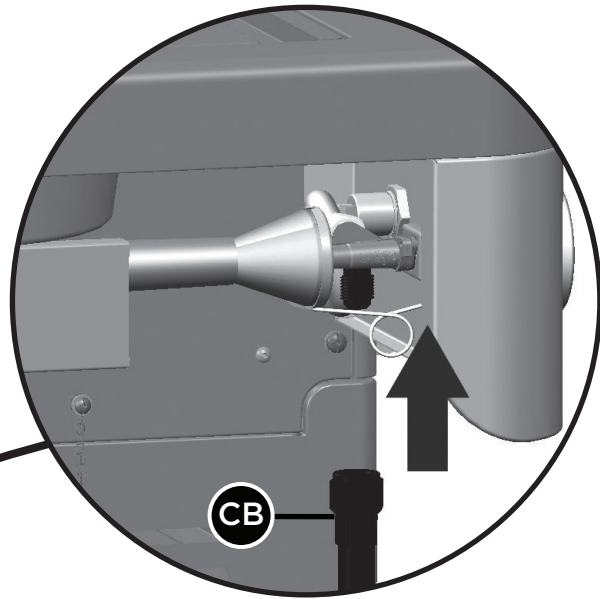
**⚠ ATTENTION:
DO NOT STORE EXTRA PROPANE
TANK WITHIN BBQ CART.**



23

FOR NATURAL GAS MODEL ONLY

⚠ ATTENTION:
Your BBQ's natural gas hose comes with a 3/8" connection. For 1/2" home connections, an adapter may be required. Contact your natural gas supplier to purchase the necessary part.



Natural Gas Home Supply

Quick Connector

DO NOT USE

CB

CB

ADDITIONAL WARNINGS

You have now completed the Assembly of your COLEMAN® REVOLUTION™ BARBECUE.

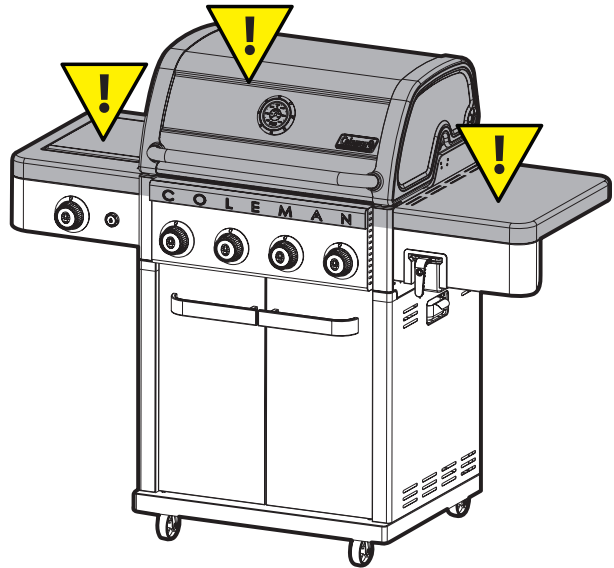
NEXT STEPS:

1. Position your BARBECUE
2. Read SAFE USE & CARE MANUAL
3. Perform Grill Safety Check-list

▲ **WARNING:**

FOR YOUR FAMILIES SAFETY, DO NOT ATTEMPT TO LIGHT THIS BBQ UNTIL YOU HAVE REVIEWED PAGES 4-7 OF THE COLEMAN® SAFE USE & CARE MANUAL. ALL SAFETY AND LEAK TESTS MUST BE PERFORMED BY THE END USER, PRIOR TO LIGHTING THIS BBQ.

▲ **WARNING HOT SURFACES:**



POSITION YOUR BARBECUE

Always confirm that this Barbecue is not positioned under a combustible object (e.g., an awning or umbrella) or in a covered area (e.g., porch or gazebo) before lighting it, to prevent a possible fire.

Always confirm that this Barbecue is not positioned under the overhang of a house, a garage or other structure before lighting it. An overhang will serve to deflect flare-ups and radiate heat into the structure itself, which could result in a fire.

Always confirm that this Barbecue is positioned more than 36" (91.4cm) away from any combustible materials or surfaces before lighting it, and that no gasoline or other volatile substances are stored in the vicinity of this Barbecue. The temperature of a grease fire or of the radiated heat might otherwise be sufficient to ignite nearby combustibles or volatile substances. Do not position near windows, siding, or fencing.

Always locate the Barbecue where there will be ample combustion and ventilation air, but never position it in the direct path of a strong wind.

Level your barbecue for optimal performance of Flare-Free Technology™.



Join the conversation




facebook.com/colemangrills



twitter.com/colemangrills

Manufactured by Winners Products Engineering Ltd.

Coleman®, *Coleman* and  are registered trademarks of The Coleman Company, Inc. used under license. ©2018 The Coleman Company, Inc.