

This wood appliance needs periodic inspection and repair. It is against United States federal regulations to operate this wood appliance in a manner inconsistent with the operating instructions in this manual.



# INSTALLATION MANUAL

## INSTALLER:

Leave this manual with the appliance.

## CONSUMER:

Retain this manual for future reference.

## SAFETY INFORMATION

### WARNING

If the information in these instructions are not followed exactly, a fire or explosion may result causing property damage, personal injury or death. Please read the entire manual before you install and use your appliance. This heater has not been tested with an unvented gas log set. To reduce risk of fire or injury, do not install an unvented gas log set into the heater.

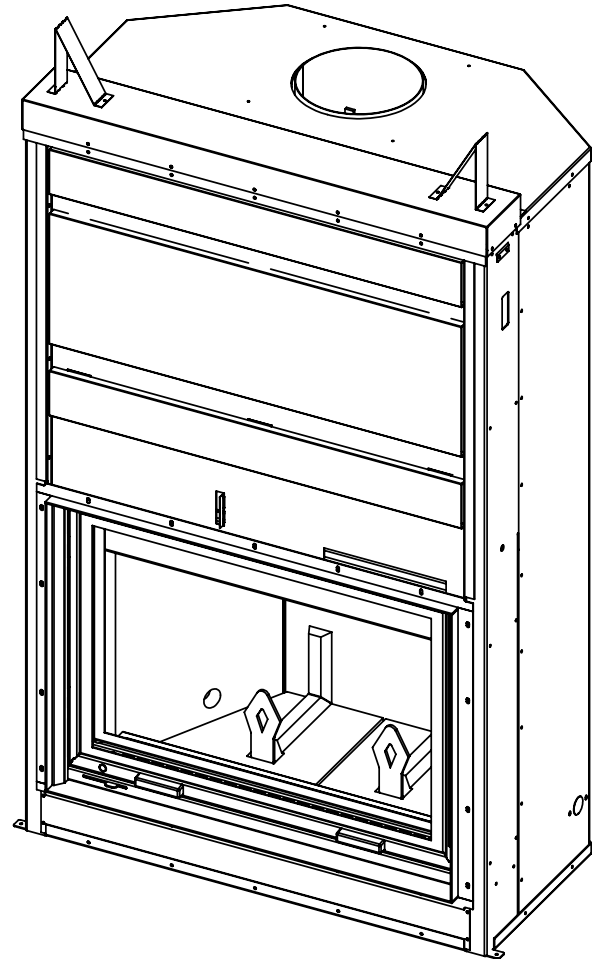
- This heater can be very hot when burning.
- Combustible materials such as firewood, wet clothing, etc. placed too close can catch fire.
- Children and pets must be kept from touching the heater when it is hot.
- The chimney must be sound and free of cracks. Before installing this appliance, contact the local building or fire authority and follow their guidelines.
- Operate only with the doors tightly closed.
- Burn wood behind the log retainer directly on the firebricks.
- Do not use an elevated grate or otherwise raise the fire.
- This appliance is designed to burn natural wood only. Higher efficiencies and lower emissions generally result when burning air dried seasoned hardwoods, as compared to softwoods or to green or freshly cut hardwoods.
- Do not start a fire with chemicals or fluids such as gasoline, engine oil, etc.
- Do not burn trash or garbage, lawn clippings/waste, rubber, waste petroleum products, paints or paint thinners/solvents, plastic, materials containing asbestos, construction debris, railroad ties or treated wood, manure or animal remains, salt water driftwood or salted materials, unseasoned wood, coal, charcoal, coloured paper, cardboard, plywood or particleboard. Burning these materials may result in release of toxic fumes or render the appliance ineffective and cause smoke.
- Do not let the appliance become hot enough for any part to glow red.

### Wood Stoves ONLY

- At least 14 squares inches (90.3 square centimeters) of outside air must be admitted to the room or directly to the appliance through a 4" (101.6mm) diameter pipe.
- KEEP THE STOVE TOP TEMPERATURE BELOW 700°F (371°C). Attempts to achieve heat output rates that exceed design specifications can result in steel distortion and damage.



## HIGH COUNTRY™ 5000 (NZ5000-T illustrated)



### FOR INDOOR USE ONLY

THIS APPLIANCE HAS BEEN SAFETY TESTED AND LISTED BY OMNI TEST LABORATORIES, INC. AS PER THE STANDARDS : ULC S610, UL 127 U.S. THE NZ5000 IS AN EPA LOW MASS WOOD-BURNING FIREPLACE MEETING THE VOLUNTARY PROGRAM PHASE 2 EMISSION QUALIFIED LEVEL.



Project Number:  
0415WF013S  
0415WF013E

**PLACE BARCODE LABEL ON THE  
OWNER'S MANUAL**

Wolf Steel Ltd., 24 Napoleon Rd., Barrie, ON, L4M 0G8 Canada / 103 Miller Drive, Crittenden, Kentucky, USA, 41030  
Phone 1 (866) 820-8686 • www.napoleonfireplaces.com • hearth@napoleonproducts.com

## WARNING

- This appliance is hot when operated and can cause severe burns if contacted.
- Any changes or alterations to this appliance or its controls can be dangerous and is prohibited.
- Do not operate appliance before reading and understanding operating instructions. Failure to operate appliance according to operating instructions could cause fire or injury.
- Before installing this appliance, contact the local building or fire authority and follow their guidelines.
- This appliance must be installed by a qualified installer. Never try to repair or replace any part of the appliance unless instructions are given in this manual. All other work should be done by a trained technician.
- Risk of burns. The appliance should be turned off and cooled before servicing.
- Do not operate without fully assembling all components. Do not install damaged, incomplete or substitute components.
- Do not let the appliance become hot enough for any part to glow red.
- Risk of cuts and abrasions. Wear protective gloves, footwear and safety glasses during installation. Sheet metal edges may be sharp.
- All wiring should be done by a qualified electrician and shall be in compliance with local codes. In the absence of local codes, use the current CSA22.1 Canadian Electric Code in Canada or the current National Electric Code ANSI/NFPA No. 70 in the United States.
- If equipped, burning your appliance with the ash dump door ajar creates a fire hazard that may result in discolouration to the door, internal damage to the appliance or a house chimney fire.
- Do not connect this appliance to a chimney flue serving another appliance.
- Clothing or other flammable material should not be placed on or near the appliance. Objects placed in front of the appliance must be kept a minimum of 48" (121.9cm) away from the front face of the appliance.
- Due to high temperatures, the appliance should be located out of traffic and away from furniture and draperies.
- Even after the appliance is off, it will remain hot for an extended period of time.
- Any safety screen or guard removed for servicing must be replaced prior to operating the appliance.
- Under no circumstances should this appliance be modified.
- This appliance must not be connected to a chimney flue pipe servicing a separate solid fuel burning appliance.
- Do not operate the appliance with the glass door removed, cracked or broken. Replacement of the glass should be done by a licensed or qualified service person.
- Do not strike or slam shut the appliance glass door.
- Only doors / optional fronts certified with the appliance are to be installed on the appliance.
- If the appliance is not properly installed, a house fire may result. Do not expose the appliance to the elements (ex. rain, etc.) and keep the appliance dry at all times. Wet insulation will produce an odour when the appliance is used.
- The chimney must be sound and free of cracks. Clean your chimney a minimum of twice a year and as required.
- Children and adults should be alerted to the hazards of high surface temperature and should stay away to avoid burns or clothing ignition.
- Young children should be carefully supervised when they are in the same room as the appliance. Toddlers, young children and others may be susceptible to accidental contact burns. A physical barrier is recommended if there are at risk individuals in the house. To restrict access to an appliance or stove, install an adjustable safety gate to keep toddlers, young children and other at risk individuals out of the room and away from hot surfaces.
- Ensure you have incorporated adequate safety measures to protect infants/toddlers from touching hot surfaces.
- Check with your local hearth specialty dealer for safety screens and hearth guards to protect children from hot surfaces. These screens and guards must be fastened to the floor.
- Keep the packaging material out of reach of children and dispose of the material in a safe manner. As with all plastic bags, these are not toys and should be kept away from children and infants.



**! WARNING**

- Do not start a fire with chemicals or fluids such as gasoline, engine oil, etc.
- Your appliance requires periodic maintenance and cleaning. Failure to maintain your appliance may lead to smoke spillage in your home.
- Ashes must be disposed in a metal container with a tight lid and placed on a non-combustible surface well away from the home or structure until completely cool.
- Ensure clearances to combustibles are maintained when building a mantel or shelves above the appliance. Elevated temperatures on the wall or in the air above the appliance can cause melting, discolouration or damage to decorations, a T.V. or other electronic components.

**For wood appliances:**

- Lower emissions generally result when burning air dried seasoned hardwoods, as compared to softwoods or too green or freshly cut hardwoods. Burning wet unseasoned wood can cause excessive creosote accumulation. When this is ignited it can cause a chimney fire that may result in a serious house fire.
- This appliance is designed to burn natural wood only. Do not burn trash or garbage, lawn clippings / waste, rubber, waste petroleum products, paints or paint thinners / solvents, plastic, materials containing asbestos, construction debris, railroad ties or treated wood, manure or animal remains, salt water driftwood or salted materials, unseasoned wood, coal, charcoal, coloured paper, gift wrapping, cardboard, plywood or particleboard. Burning these materials may result in release of toxic fumes or render the appliance ineffective and cause smoke.
- Burn wood directly on the firebricks. Do not elevate grate or otherwise raise the fire.
- Do not store wood within appliance installation clearances or within the space required for re-fueling and ash removal.

**THE NZ5000 HAS BEEN EPA QUALIFIED.****CALIFORNIA PROP 65 WARNING:**

**Use of this product may produce smoke which contains chemicals known to the State of California to cause cancer, birth defects, or other reproductive harm. Do not use makeshift compromises during installation. Do not block or restrict air, grille or louvre openings! Do not add a hood.**

**Burning your appliance with the door open or ajar creates a fire hazard that may result in a house and/or chimney fire.**

**All venting connections must be in compliance with the chimney manufacturers installation instructions. Clearances referred to throughout this manual are the minimum requirements.**

**Your appliance must be installed in accordance with all national and local building code standards and the standard of Chimney and Appliances, Vents and Solid Fuel Burning Appliances NFPA #211. Consult the authority having jurisdiction (such as municipal building department, fire department, fire prevention bureau, etc.) to determine the need to obtain a permit. If you are in doubt about the proper installation for your situation, contact your dealer or local building or fire official. The manufacturer does not guarantee that this appliance and its options will completely heat your entire home.**

**Expansion / contraction noises during heating up and cooling down cycles are normal and to be expected.**

**It is recommended that in all cases, the appliance be secured to the floor. Use the pallet packing brackets to accomplish this.**



We suggest that our woodburning hearth products be installed and serviced by professionals who are certified in the U.S. by the National Fireplace Institute® (NFI) as NFI Woodburning Specialists or who are certified in Canada by Wood Energy Technical Training (WETT).



# table of contents

<b>1.0</b>	<b>dimensions</b>	<b>5</b>
<b>2.0</b>	<b>general information</b>	<b>6</b>
2.1	general instructions	6
2.2	features	7
2.3	this fireplace	7
2.4	packing list	7
2.5	hardware list	7
2.6	rating plate information	8
<b>3.0</b>	<b>installation planning</b>	<b>9</b>
3.1	location and clearances	9
3.2	ventilation openings	10
3.3	outside combustion air	10
3.3.1	outside combustion air operation	11
3.4	floor protection / ember strip and hearth extensions	12
3.5	hearth examples	13
3.6	flue damper operation	14
<b>4.0</b>	<b>installation</b>	<b>15</b>
4.1	chimney	15
4.2	typical chimney installation	16
4.3	adding chimney sections	17
4.4	offset chimney installation	18
4.5	installing flashing and storm collar	19
4.6	air cooled chimney installation	19
4.7	use with gas log sets (vented and unvented)	20
<b>5.0</b>	<b>framing</b>	<b>21</b>
5.1	finishing material	22
5.2	minimum clearance to combustibles	23
5.3	minimum enclosure clearances	23
5.4	minimum combustible mantel clearances	24
<b>6.0</b>	<b>operation and adjustment</b>	<b>25</b>
6.1	door & screen operation	25
6.2	door level adjustment	26
6.3	counter weight adjustment	28
<b>7.0</b>	<b>installation and replacement</b>	<b>29</b>
7.1	firebrick installation	29
7.2	baffle installation	30
7.3	smoke chamber insulation panel overview	31
7.3.1	smoke chamber insulation panel replacement	32
7.4	door glass replacement	33
7.5	screen replacement	34
<b>8.0</b>	<b>replacement parts</b>	<b>35</b>
8.1	overview	36
<b>9.0</b>	<b>accessories</b>	<b>37</b>
<b>10.0</b>	<b>troubleshooting</b>	<b>38</b>
<b>11.0</b>	<b>warranty</b>	<b>39</b>

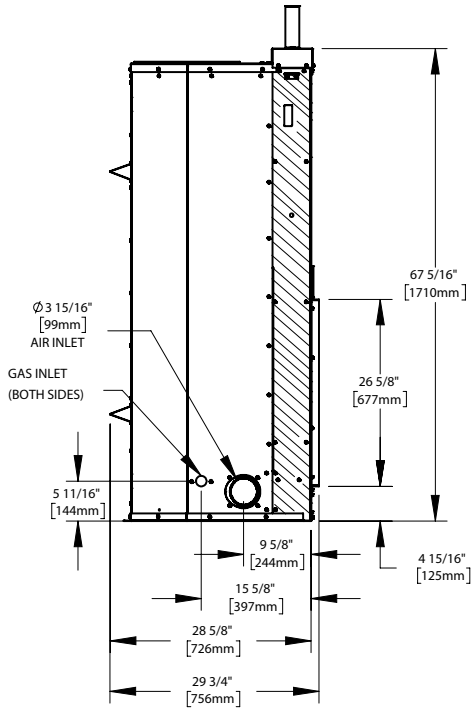


The camera icon indicates video tutorials are available as additional reference, visit <http://mynapoleon.napoleonproducts.com/download/index/44/1>

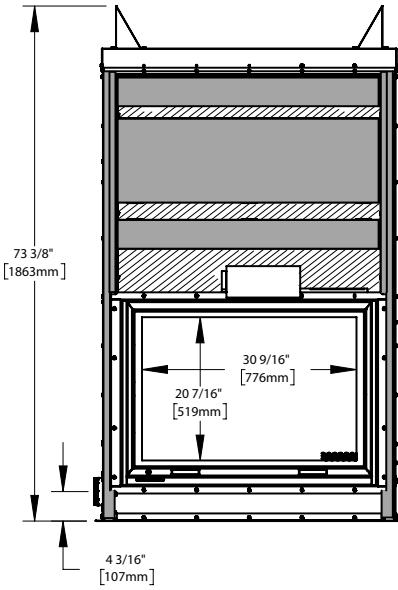
## note:

Changes, other than editorial, are denoted by a vertical line in the margin

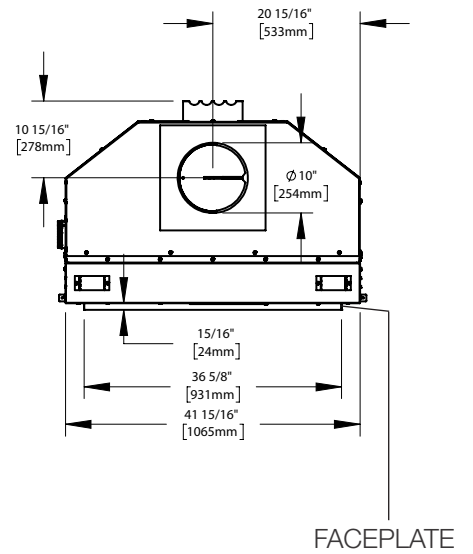
**LEFT SIDE VIEW**




**FRONT VIEW**



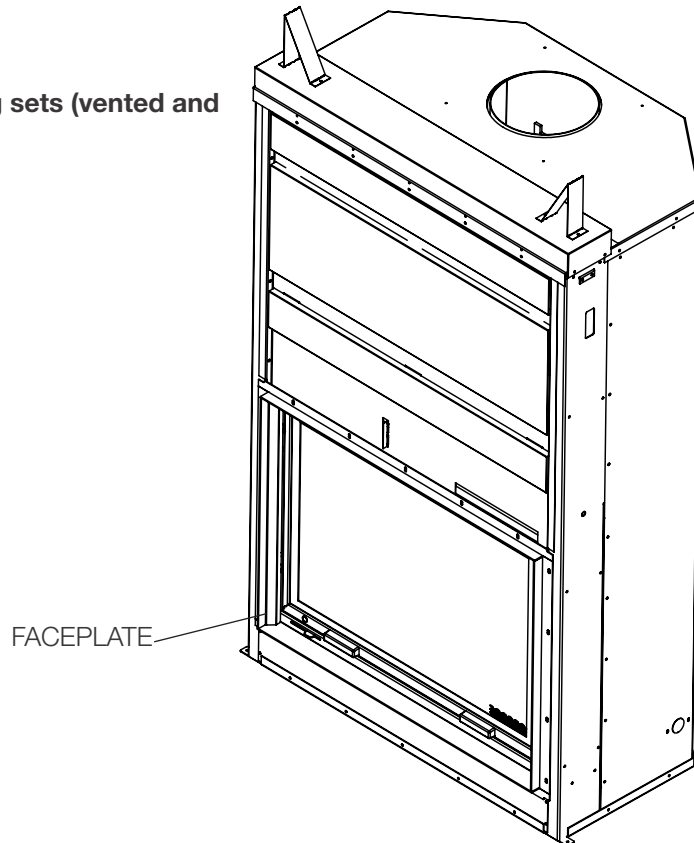
**TOP VIEW**



 No screws greater than 1/2" penetration

 No screws

\* Gas Inlet, see "use with gas log sets (vented and unvented)" section.



## 2.0 general information

### 2.1 general instructions

#### **! WARNING**

- Before installing this appliance, contact the local building or fire authority and follow their guidelines.
- This appliance must be installed by a qualified installer. Follow the installation directions. Do not operate without fully assembling all components.
- If this appliance is not properly installed, a house fire may result.
- Do not expose the appliance to the elements (ex. rain, etc.) and keep the appliance dry at all times. Wet insulation will produce an odour when the appliance is used.
- This appliance is hot when operated and can cause severe burns if contacted. Children and pets must be kept from touching the appliance when it is hot. Contact your local authorized dealer/distributor for safety screens that may be available for this product.
- Combustible material such as firewood, wet clothing, etc. placed too close can catch fire. Objects placed in front of the appliance must be kept a minimum of 48" (121.9cm) from the front of the appliance.
- All wiring should be done by a qualified electrician and shall be in compliance with local codes and with the National Electric Code ANSI/NF NO. 70-Current (in the United States), or with the current CSA C22.1 Canadian Electric Code (in Canada).
- This appliance and its components are designed to be installed and operated as a system. Any alteration to or substitution for items in this system, unless allowed by these installation instructions, will void the OMNI listing and may void the product warranty. It may also create a hazardous installation. Read through these instructions thoroughly before starting your installation and follow them carefully throughout your project.

#### **note:**

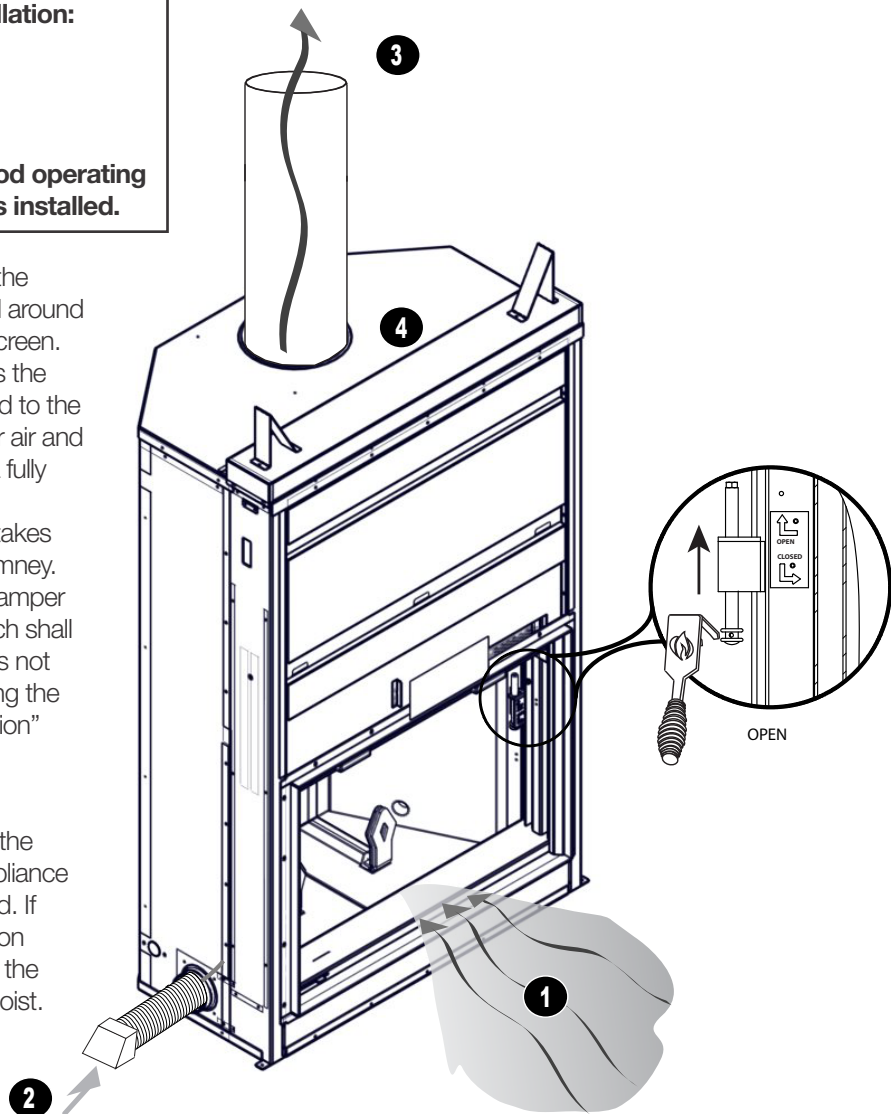
**It is recommended to test the listed components below before installation:**

- **Doors**
- **Balance weights**
- **Outside air damper**
- **Flue damper**

**All components should be in good operating condition before the appliance is installed.**

1. Combustion air is brought into the appliance through the slots and around the glass door or through the screen.
2. An outside air damper regulates the amount of outside air introduced to the appliance to supplement indoor air and can only be adjusted to either a fully closed or fully open position.
3. Inside the firebox, combustion takes place and exhausts out the chimney.
4. The appliance includes a flue damper at the base of the chimney which shall be closed when the appliance is not in use to prevent cold air entering the home, see "flue damper operation" section.

The location of windows, doors and the traffic flow in the room where the appliance is to be located should be considered. If possible, you should choose a location where the chimney will pass through the house without cutting a floor or roof joist.



## 2.2 features

- Depending on the loading method and size of log, maximum length of 24" (61cm).
- Large glass door for maximum visibility.
- Fully refractory lined firebox.
- Closable outside combustion air damper.
- Closable flue damper.
- Shipping weight, without firebricks, 552lbs (250kg).
- Net weight, with firebricks, 745 lbs (338kg).
- Shipping weight of firebricks, 225lbs (102kg).
- Flue outlet diameter 10" (254mm).
- Max. fuel load 30lbs (13.6kg).
- Max. fuel height, halfway or top of the first firebrick.

## 2.3 this fireplace

This appliance is a decorative product and not intended as a primary source of heat.

Approximate heating capacity up to 1,000 square feet (92 square meters).

### **! WARNING**

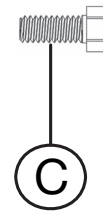
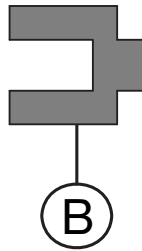
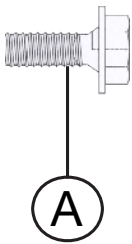
- Do not let the appliance become hot enough for any part to glow red.

## 2.4 packing list

### Shipped with appliance:

Installation manual	Door Tool	Hardware	Flue damper tool
Owner's manual	Gloves	Baffles (x5)	
Ember Strip	Andirons	Counterweights (x6)	

## 2.5 hardware list



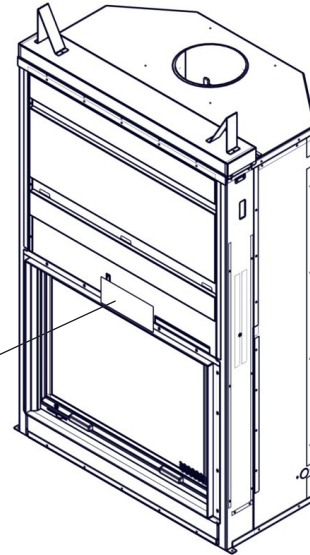
Reference	Part #	Description	Quantity
<b>A</b>	W570-0176	#10-24 x 1/2" Machine Screw	10
<b>B</b>	W615-0159	Door Levelling Shim	6
<b>C</b>	W570-0058	1/4"-20 x 5/8" Machine Screw	4

# general information

## 2.6 rating plate information

Rating plate is located above the screen door on the right.

This illustration is for reference only. Refer to the rating plate on the appliance for accurate information.



CERTIFIED TO / CERTIFIÉ SELON: ULC-S610-M87 (R2016), UL 127-2011 (R2016)	
 Tested & Listed By OTH Test Laboratories, Inc.	<input type="checkbox"/> 9700539 (WSL) <input type="checkbox"/> 4001657 (NGZ) <input type="checkbox"/> 4001658 (NAC) <input type="checkbox"/> 4001659 (WUSA)
 <b>HIGH COUNTRY</b>	<b>NZ5000</b> NZ5000 AVERAGE EMISSION / EMISSION MOYENNE 4.6 g/kg PROJECT NO. 0415WF013S / 0415WF013E / PROJET N°. 0415WF013S / 0415WF013E MODEL NO. NZ5000 / N° DE MODÈLE NZ5000
LISTED FACTORY BUILT FIREPLACE MODEL. PHASE 2 EMISSION LEVEL QUALIFIED. / FOYER PRÉFABRIQUÉ HOMOLOGUÉ. LA PHASE 2 NIVEAU QUALIFIÉ D'ÉMISSION	
MODEL CERTIFICATION DATE / DATE DE CERTIFICATION DU MODÈLE: <b>04/23/17</b>	
INSTALL AND USE ONLY IN ACCORDANCE WITH WOLF STEEL LTD. INSTALLATION INSTRUCTIONS AND OWNER'S MANUAL. CONTACT LOCAL BUILDING OR FIRE OFFICIALS ABOUT RESTRICTIONS AND INSTALLATION INSPECTION IN YOUR AREA. DO NOT CONNECT THIS UNIT TO A CHIMNEY SERVING ANOTHER APPLIANCE.	
POUR INSTALLATION ET UTILISATION CONFORMÉMENT AUX MANUEL WOLF STEEL LTÉE. RENSEIGNEZ-VOUS AUPRÈS DES AUTORITÉS LOCALES DU BÂTIMENT OU DU SERVICE DES INCENDIES AU SUJET DES RESTRICTIONS ET DES INSPECTIONS D'INSTALLATION DANS VOTRE RÉGION. NE PAS RACCORDER À LA CHEMINÉE D'UN AUTRE APPAREIL.	
Use Solid wood, processed solid fuel fire logs (or other specified type) fuel only. / Utilisez du bois massif, transformés solides bûches de combustible (ou un autre type spécifié) combustible seulement.	
QUALIFIED EPA PHASE 2 MODEL UNTIL JULY 2020 / QUALIFIÉ EPA PHASE 2 MODÈLE JUSQU'À JUILLET 2020. <input type="checkbox"/> 2017 <input type="checkbox"/> 2018 <input type="checkbox"/> 2019 <input type="checkbox"/> 2020 <input type="checkbox"/> Jan./Jan. <input type="checkbox"/> Apr./Avr. <input type="checkbox"/> Jul./Juill. <input type="checkbox"/> Oct./Oct. <input type="checkbox"/> Feb./Fév. <input type="checkbox"/> May/Mai <input type="checkbox"/> Aug./Août. <input type="checkbox"/> Nov/Nov. <input type="checkbox"/> Mar./Mars. <input type="checkbox"/> Jun/Juin <input type="checkbox"/> Sep/Sept. <input type="checkbox"/> Dec/Déc.	<b>WARNING:</b> • Replace ceramic glass only with ceramic glass obtained from the dealer and certified for use with this appliance. • Not for use in a Mobile Home.
<b>WARNING:</b> DO NOT OPERATE AN UNVENTED GAS LOG SET IN THIS APPLIANCE WITH THE CHIMNEY REMOVED. ONLY UNVENTED GAS LOG SETS CERTIFIED TO ANSI / IAS / AGA Z21.11.2 ARE TO BE INSTALLED IN THIS APPLIANCE.	<b>AVERTISSEMENT:</b> • Remplacer verre céramique seulement uniquement avec verre céramique obtenue auprès du concessionnaire et certifiés pour une utilisation avec cet appareil. • Ne peut être installé dans une maison mobile.
<b>AVERTISSEMENT:</b> N'UTILISER PAS UN ENSEMBLE DE BÛCHES SANS VENTILATION DANS CET APPAREIL AVEC LA CHEMINÉE ENLEVÉE. SEULEMENT LES ENSEMBLE DE BÛCHES CERTIFIÉ SELON ANSI / IAS / AGA Z21.11.2 PEUVENT ÊTRE INSTALLÉS DANS CET APPAREIL.	
Do not use a fireplace insert or other products not specified for use with this product. / N'utiliser pas un insert de cheminée ou d'autres produits non spécifiés pour l'utilisation avec ce produit.	
<b>COMPONENTS REQUIRED FOR INSTALLATION:</b> SHIPPED WITH THE FIREPLACE: INSTALLATION MANUAL, EMBER STRIP, LIFTING HANDLE, LOG RETAINERS (ANDIRONS) NOT SHIPPED WITH THE FIREPLACE: REFRACTORY BRICKS	
<b>CHIMNEY REQUIREMENTS (see installation manual):</b> Chimney must be certified to one of the following standards ULC-S604 and ULC S629 for Canada or UL-103 and UL-103HT for the United States. Masonry chimney installation: Stainless steel liner must be certified to ULC S640 M91 or ULC 639 for Canada or UL 1777 for the United States. Air Cooled Chimney: Use DuraVent DuraChimney II only.	
MINIMUM CHIMNEY HEIGHT 15 ft (4.57 m) MAXIMUM CHIMNEY HEIGHT 34 ft (10.4 m) MAXIMUM OFFSET ANGLE 30° US - 45° CANADA	MAXIMUM # OF ELBOWS 4 FLUE COLLAR 10"ø MIN. CHIMNEY DIA. 8"ø
<b>COMPOSANTS REQUIS POUR L'INSTALLATION:</b> LIVRÉ AVEC LE FOYER: MANUEL D'INSTRUCTIONS, PARE-BRAISÉS, POIGNÉES DE TRANSPORT, RETENUE DES BÛCHES (CHENETS) NE LIVRÉ AVEC LE FOYER: BRIQUE RÉFRACTAIRE	
<b>EXIGENCES POUR LA CHEMINÉE (voir le manuel d'instructions)</b> La cheminée doit être certifiée selon l'une des normes suivantes : ULC-S604 et ULC S629 pour le Canada ou selon les normes UL-103 et UL-103HT pour les États-Unis. Installation de la cheminée de maçonnerie: revêtement en acier inoxydable doit être certifié à la norme ULC S640 M91 ou ULC 639 pour le Canada ou UL 1777 pour les États-Unis. Cheminée Refroidie à l'Air: Utiliser DuraVent DuraChimney II seulement.	
HAUTEUR MINIMALE DE LA CHEMINÉE 15 pi (4,57 m) HAUTEUR MAXIMALE DE LA CHEMINÉE 34 pi (10,4 m) ANGLE DE DÉVIATION MAXIMAL 30° US - 45° CANADA	# MAXIMAL DE COUDES: 4 BUSE D'ÉVACUATION: 10"ø DIA. MIN. CHEMINÉE 8"ø
Prevent creosote fire: inspect chimney and chimney connector, if applicable, twice monthly and clean if necessary. Do not overfire. If exterior of unit glows red, you are overfiring. Keep furnishings and other combustible materials a considerable distance away from appliance. Type of fuel: solid wood only. Prévenir les feux de créosote: Inspectez la cheminée ou le raccord de cheminée, si applicable, deux fois par mois et nettoyez si nécessaire. Ne surchauffez pas. Si l'extérieur de l'appareil devient rouge, vous surchauffez. Gardez les meubles et autres matériels combustible à une distance considérable de l'appareil de chauffage. Type de combustible: solide bois seulement.	Important: Before commencing installation, refer to the label located behind the faceplate and to the manufacturer's installation instructions packaged together with this unit. The installation must be approved by the authority having jurisdiction. Avant de commencer l'installation, référez-vous à l'étiquette qui se trouve derrière la façade ainsi qu'aux instructions d'installation du fabricant fournies avec l'appareil. L'installation doit être approuvée par l'autorité compétente.
<b>CAUTION:</b> This fireplace needs a large amount of air to operate which may starve other fuel burning appliances of combustion, ventilation and dilution air. <b>ATTENTION:</b> Cette cheminée a besoin d'une grande quantité d'air pour l'exploitation qui peut affamer les autres appareils de combustion, ventilation et dilution d'air de combustion.	
This model meets the U.S. EPA Wood-burning Fireplace Program Phase 2 emission level. To minimize smoke, always operate your fireplace in accordance with the manufacturer's instructions found in the owner's manual. Additional information about EPA's Program is available at <a href="http://www.epa.gov/burnwise/index.html">www.epa.gov/burnwise/index.html</a> / Ce modèle répond à la Cheminée programme de phase de niveau 2 des émissions États Unis EPA à bois. Pour minimiser la fumée, toujours fonctionner votre foyer conformément aux instructions du fabricant figurant dans le manuel du propriétaire. Des renseignements supplémentaires sur le programme de l'EPA est disponible à <a href="http://www.epa.gov/burnwise/index.html">www.epa.gov/burnwise/index.html</a>	
 <b>WOLF STEEL</b> <sup>TM</sup> 24 NAPOLEON ROAD, BARRIE, ONTARIO L4M 0G8 CANADA	<b>NZ5000</b> W385-2174

### note:

The rating plate must remain with the appliance at all times. It must not be removed.



**! WARNING**

- Wear gloves, protective footwear and safety glasses for protection.
- Carefully follow the instructions for assembly of the pipe and other parts needed to install the appliance. Failure to do so may result in a fire, especially if combustibles are too close to the appliance or chimney and air spacers are blocked, preventing the free movement of cooling air.
- Do not draw outside air from garage spaces. Exhaust products of gasoline engines are hazardous. Do not install outside air ducts such that the air may be drawn from attic spaces, basements or above the roofing where other heating appliances or fans and chimneys exhaust or utilize air. These precautions will reduce the possibility of appliance smoking or air flow reversal. The outside air inlet must remain clear of leaves, debris, ice and/or snow. It must be unrestricted while appliance is in use to prevent room air starvation which can cause smoke spillage and an inability to maintain a fire. Smoke spillage can also set off smoke alarms.
- Negative pressure within your home may inadvertently affect your appliance.
- To prevent contact with sagging or loose insulation, the appliance must not be installed against vapour barriers or exposed insulation. Localized overheating could occur and a fire could result.
- Do not use makeshift compromises during installation. Do not block or restrict air, grille or louvre openings. Do not add a hood.
- To prevent personal injury, keep hand tools in good condition, sharpen cutting edges and make sure tool handles are secure.
- Always maintain the minimum air space required to the enclosure to prevent fires.
- Check with local building officials for any permits required for installation of this appliance and notify your insurance company prior to proceeding.

**note:**

The enclosure must be ventilated, see “framing” section.

**3.1 location and clearances****! WARNING**

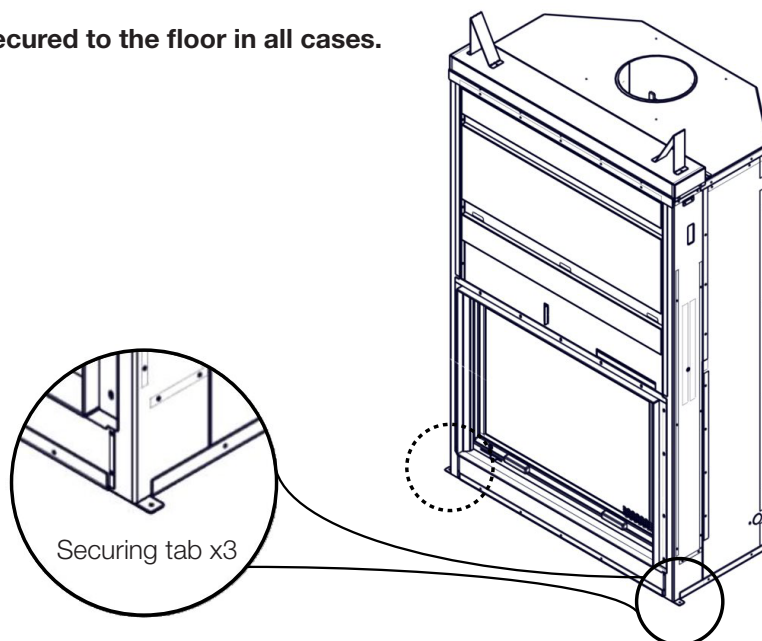
- Do not install into any area having a height less than 7 feet (2.1 m) (ceiling of enclosure to appliance bottom, excluding hearth height).

**IMPORTANT**

This appliance, fully dressed, weighs 745lbs (338kg). Ensure there is adequate floor support for the appliance, chimney and facing material. Some material could weigh thousands of pounds.

**We recommend that the appliance be secured to the floor in all cases.**

Using the door opening as a datum, level the appliance by shimming underneath the appliance. Using the pallet securing tabs on the front corners and rear (not illustrated), secure the appliance to the floor.



# installation planning

## 3.2 ventilation openings

The appliance enclosure must be provided with sufficient air circulation to avoid a fire hazard. Install ventilation grilles (minimum free air opening of 40 sq. in. [0.03 sq. meters]) at both floor and ceiling levels of the enclosure. These grilles must not restrict the flow of heat by more than 25%. Do not install into any area having a height less than 7 ft. (2m) (ceiling enclosure to appliance bottom, excluding hearth height).

## 3.3 outside combustion air

### note:

Outside air kit (111-KT) is an optional accessory. Outside air is to be supplied directly to the appliance in some jurisdictions. Install according to local codes.

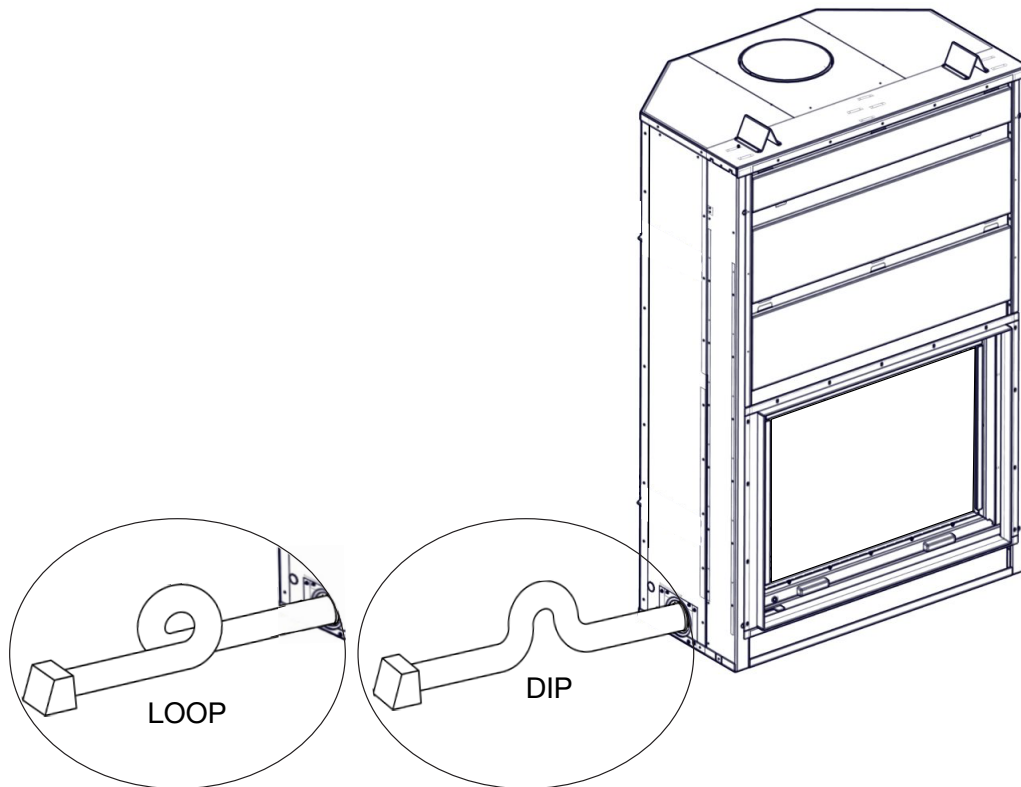
It is recommended to install outside air to the appliance as this will help to prevent any smoke entering the living space in homes that experience negative pressures. Check with local authorities having jurisdiction in your area, it may be mandatory.

Insulating the intake liner is recommended in colder climates to prevent condensation from occurring.

It is recommended that a dip or loop is put into the duct creating a cold air trap in order to prevent cold air from flowing into the room when the appliance is not being operated (see illustration below).

The NZ5000 takes outside air directly into the appliance through the opening on the left side.

The fresh air inlet duct and hood must be installed lower than the firebox. Secure and seal the intake liner to the collar using 3 sheet metal screws, and high temperature sealant.



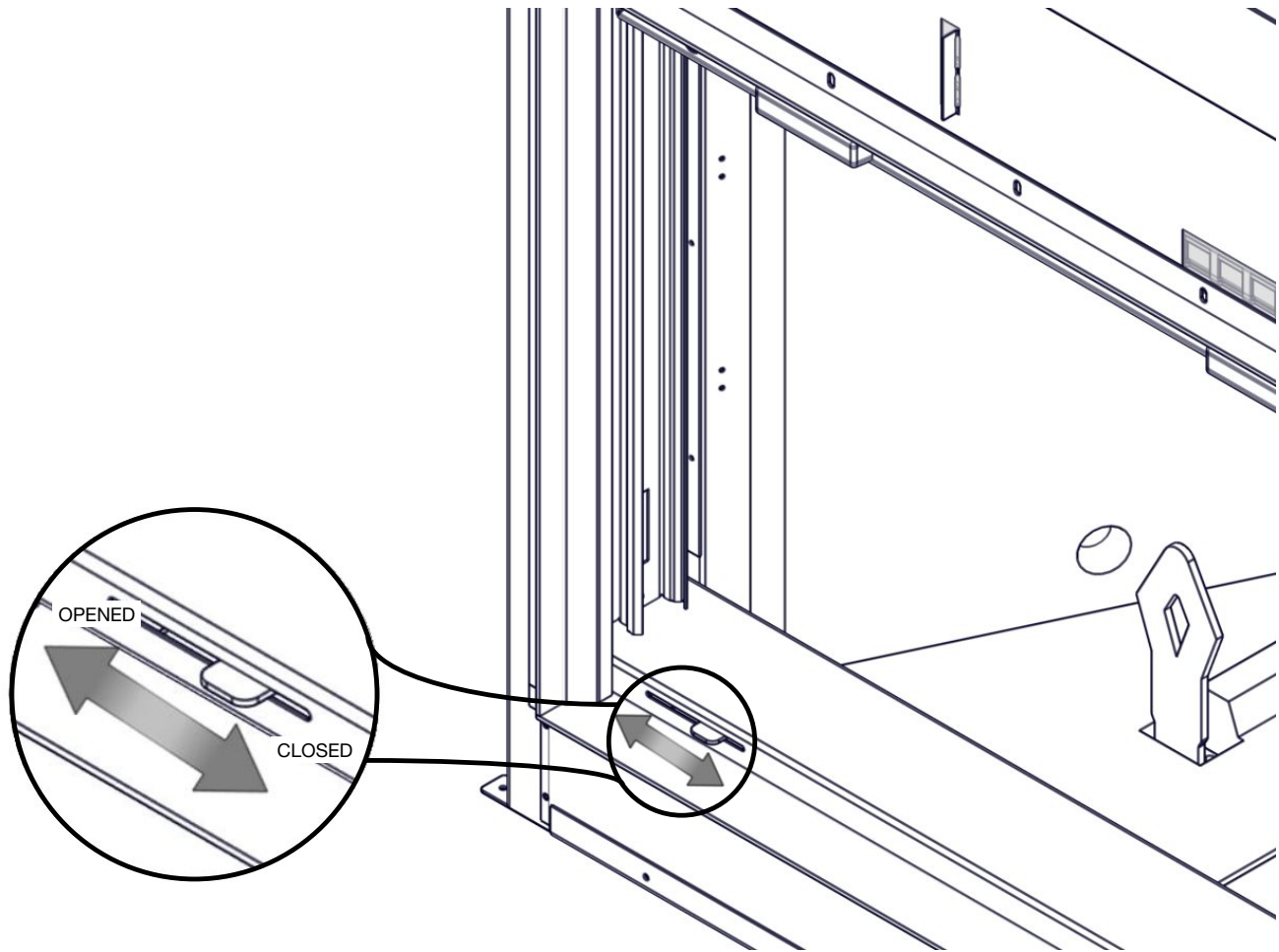
The duct inlet must be located so they cannot be blocked (i.e. snowdrifts). 12" (30.5cm) above grade is recommended. Make a 4 ½" (114mm) inch hole to suit in an outside wall of the house. From outside, place the fresh air hood into the hole, open side down. Seal with caulking and secure.

### 3.3.1 outside combustion air operation

The outside combustion air control is located on the bottom left hand side of the appliance below the screen door.

Before lighting the appliance, ensure the outside combustion air control is open by pushing the lever to the left.

Before closing the outside combustion air control, allow the appliance to cool completely. To close, push lever to the right.



# installation planning

## 3.4 floor protection / ember strip and hearth extensions

### ! WARNING

- Hearth extensions are to be installed only as described to prevent high temperatures from occurring on concealed combustible materials. Hearth ember strips prevent burning or hot particles from inadvertently falling directly on combustible surfaces in the event the building should settle and disturb the original construction.

An acceptable non-combustible (ie: brick, stone or ceramic tile) hearth extension that meets the criteria outlined in this section must be installed.

Hearth must extend 20" (50.8cm) in front of the fireplace when it is not elevated (see local building codes). Hearth must extend a minimum of 12" (30.5cm) to both sides of the appliance faceplate.

The hearth must be constructed of a minimum of 1" (25mm) thick cement board (or equivalent) plus ¼" (6.4mm) ceramic tile.

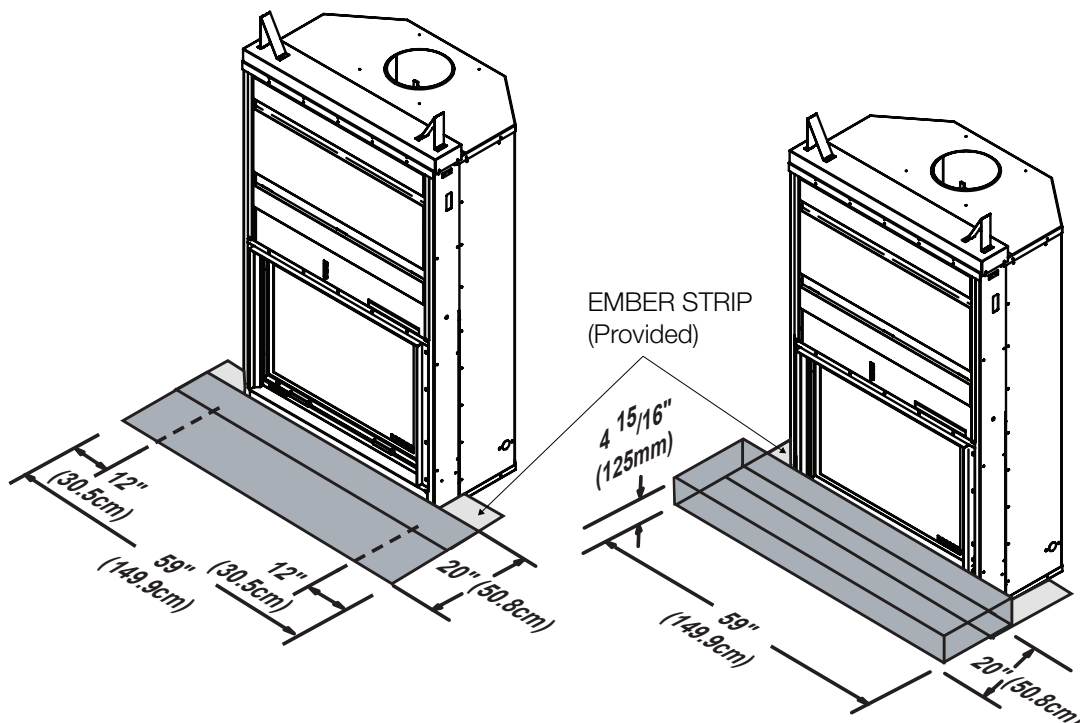
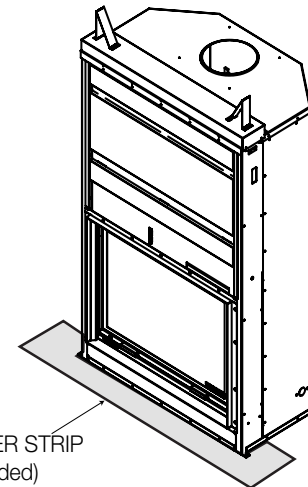
Ensure that the gap between the appliance and a non-combustible hearth extension is sealed with sand/cement grout or covered with an ember strip (or both) to prevent sparks and embers from falling into this area.

### HEARTH EXTENSION

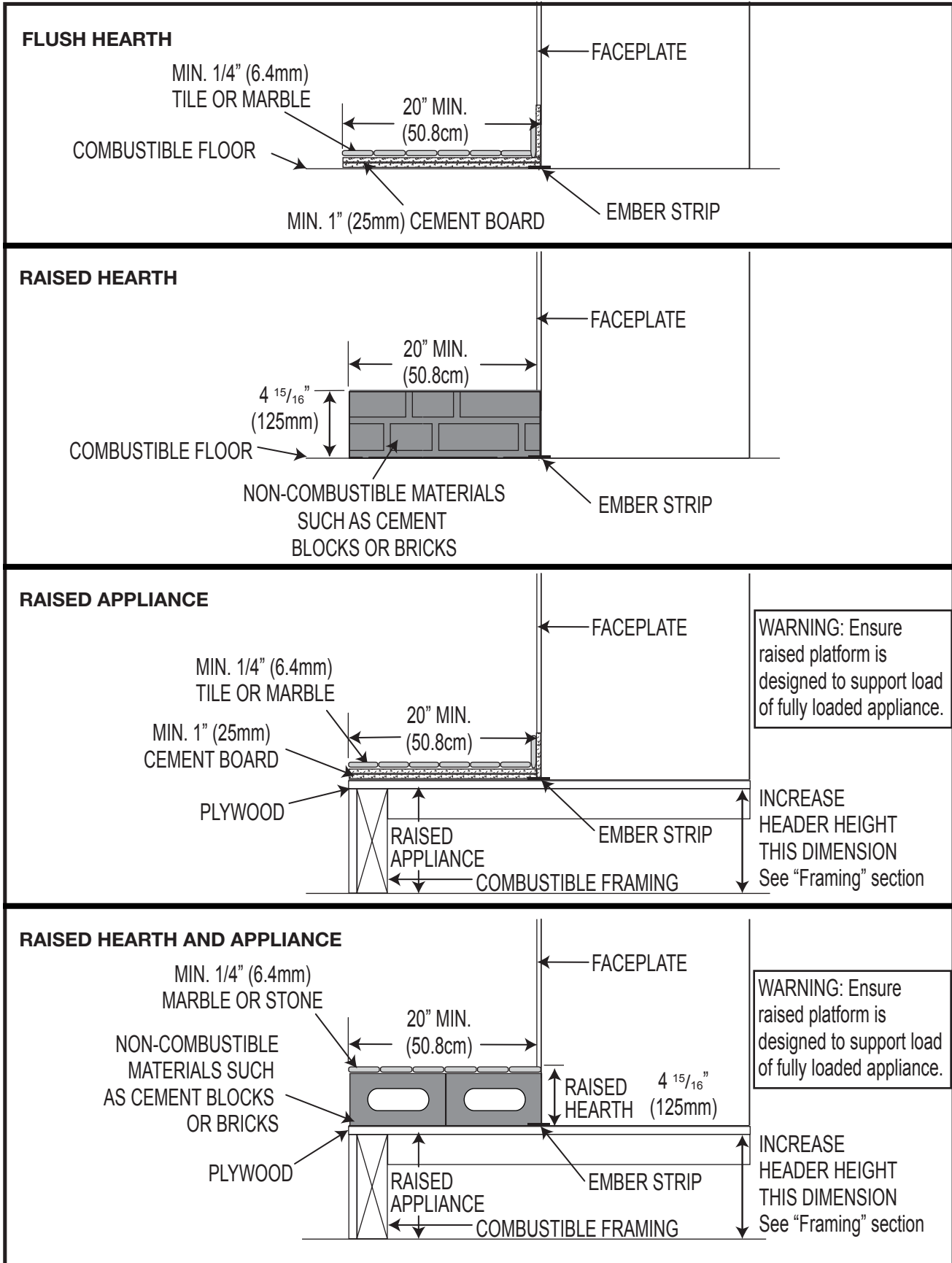
Raised hearths must be constructed of non-combustible materials such as cement blocks or bricks.

While the appliance can be installed directly on the floor (using the ember strip), a non-combustible hearth extension is required in front of the appliance, that must not be built higher than the bottom of the appliance faceplate. It may therefore be advisable to build the appliance on a raised platform.

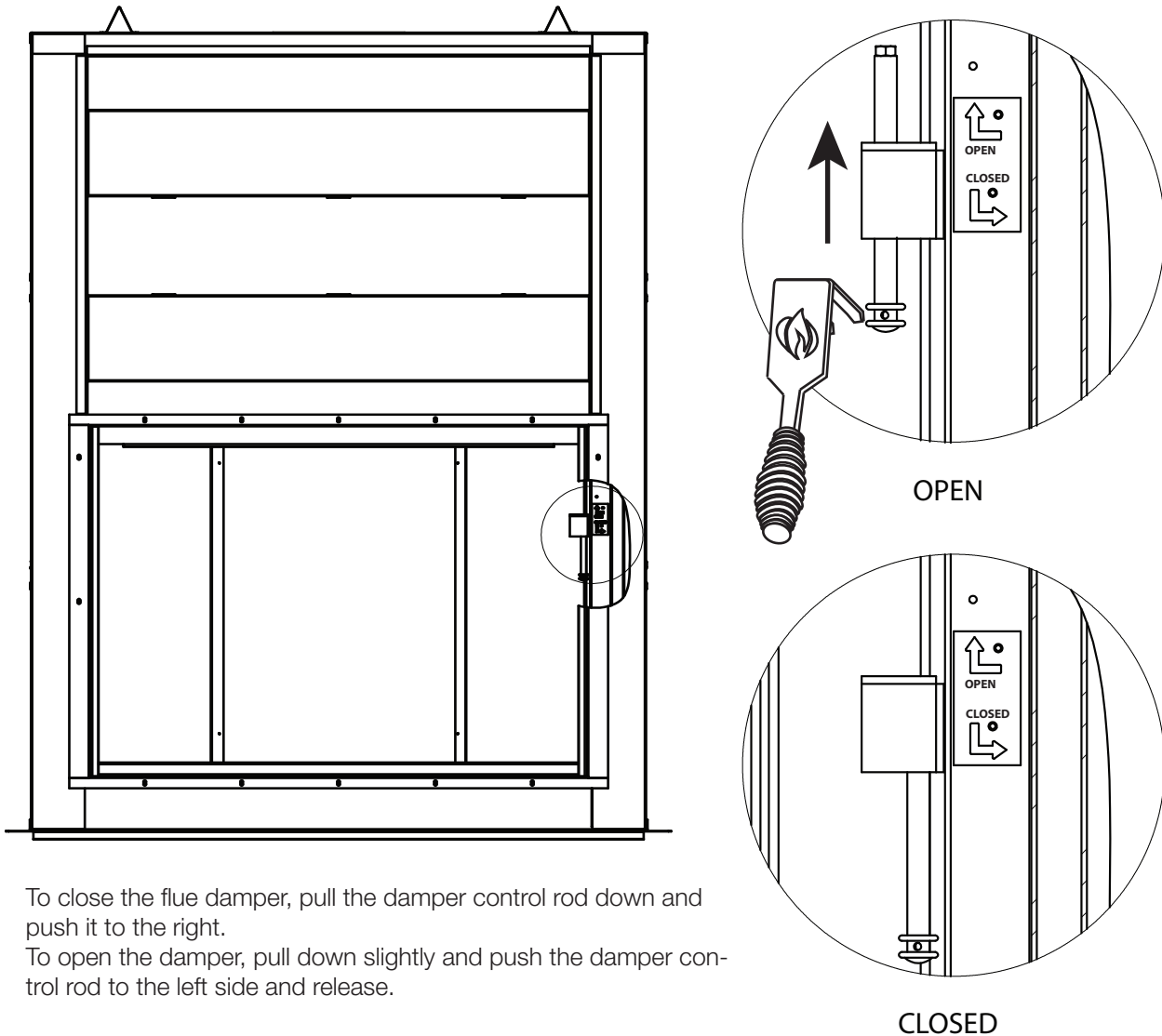
A raised hearth together with the appliance built on a raised platform is recommended for easier wood loading and fire viewing.



### 3.5 hearth examples



## 3.6 flue damper operation



To close the flue damper, pull the damper control rod down and push it to the right.  
To open the damper, pull down slightly and push the damper control rod to the left side and release.

**note:**

**The damper must be in the “open” position when burning.**

**note:**

If the damper becomes unthreaded, it will remain in the “open” position.

**note:**

If the damper does not operate properly, do not proceed with chimney installation. The damper operation should be thoroughly checked before the chimney is installed.

## 4.0 installation

### **! WARNING**

- Never install a single wall slip section or smoke pipe in a chase structure. The higher temperature of this single wall pipe may radiate sufficient heat to combustible chase materials to cause a fire.
- To avoid danger of fire, all instructions must be strictly followed, including the provision of air space clearance between chimney system and enclosure. To protect against the effects of corrosion on those parts exposed to the weather.
- Maintain a minimum 2" (51mm) air clearance to all parts of the chimney system at all times. Failure to maintain this 2" (51mm) air clearance will cause a structure fire.
- Detailed instructions for installation of the storm collar and termination cap are packaged with these parts.
- Firestop spacers must be used whenever the chimney penetrates a ceiling/floor area.
- The chimney must be sound and free of cracks. Clean your chimney a minimum of twice a year and as required.
- Always seal penetrations with temperature rated sealing products.
- Installation of a combustible chase enclosure above the roof is permissible if done in accordance with the chimney manufacturer's installation instructions.

### 4.1 chimney

#### **note:**

All venting connections must be in compliance with the chimney manufacturer's installation instructions.

This appliance was tested to CAN/ULC S610 and UL 127 Factory Built Fireplace Standards. This appliance has met the test criteria for Zero Clearance Installation to Combustible Surfaces and Certified to burn firewood only.

Any chimney 8" (203mm) in diameter certified on an appliance listed to CAN/ULC S610 for Canada or UL127 for the United States or to the following standards; CAN/ULC-S604 and CAN/ULC-S629 for Canada or UL-103 or UL-103HT for the United States may be installed.

Installation of all types of factory-built chimney systems is to be in accordance with the chimney manufacturer's installation instructions. An appropriate chimney manufacturer's anchor base plate and anchor base plate gasket is required in order to initiate their system. Use the high temperature gasket, supplied, to seal between the anchor plate and the appliance top. Air cooled chimney systems are not recommended in colder climates.

For complete installation instructions, refer to instructions provided with the manufactured chimney system.

A chimney venting the appliance shall not vent any other appliance. The minimum overall chimney height from the top of the appliance is 15ft (4.6m). The maximum overall chimney height from the top of the appliance is 34ft (10.4m).

Factory-built chimney systems for use in dwellings constructed for three or more families must be enclosed above the room in which the appliance is located. This enclosure must have a fire resistance rating equal to or greater than that of the floor or roof assembly through which they pass.

The chimney should not be built with an offset angle in excess of 45° in Canada and 30° in USA. Ensure that minimum clearances are maintained.

Portions of the chimney that extend through accessible spaces must always be encased to avoid personal contact with the chimney and thereby avoid damage to the chimney.

The chimney must be supported at a maximum of 20ft (6.1m) intervals. Every 20 ft (6.1m) of chimney can weigh up to approximately 200lbs (90.7kg). Refer to chimney manufacturer's specifications.

When using an 8" chimney, carefully center the anchor plate to the appliance flue outlet. Ensure the anchor plate flange and gasket completely cover the flue outlet.

#### **note:**

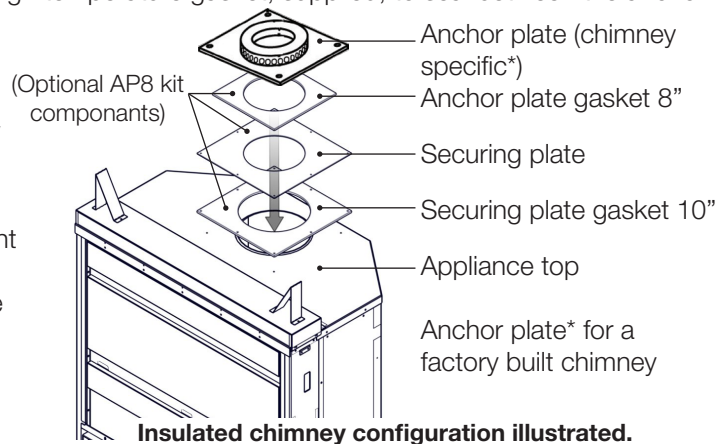
When installing insulated chimney with an anchor plate smaller than 12" (30.5cm) x 12" (30.5cm), an AP8 kit must be installed (securing plate).

#### **note:**

Masonry chimney installs are not permitted.

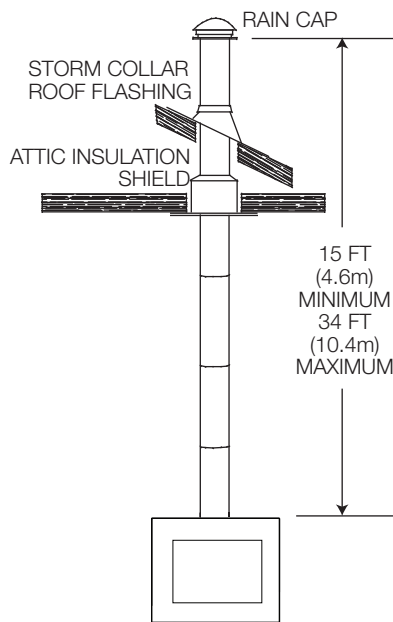
#### **note:**

Gasket supplied must suit chimney anchor plate or use chimney supplier's gasket.

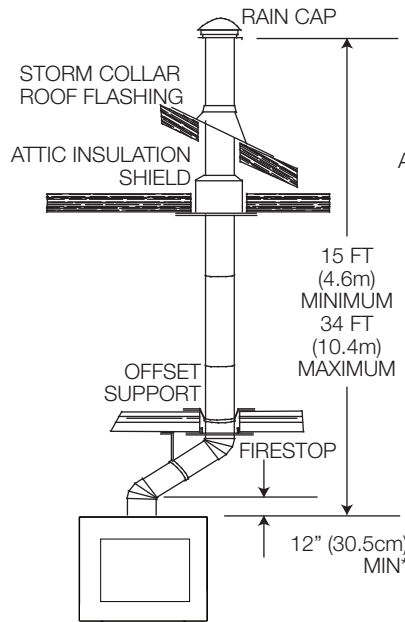


## 4.2 typical chimney installation

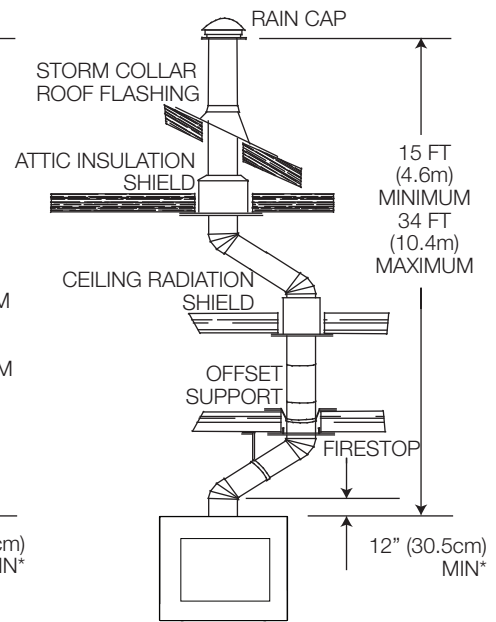
(8" solid packed or air cooled chimney)



**STRAIGHT CHIMNEY**



**SINGLE OFF-SET CHIMNEY**



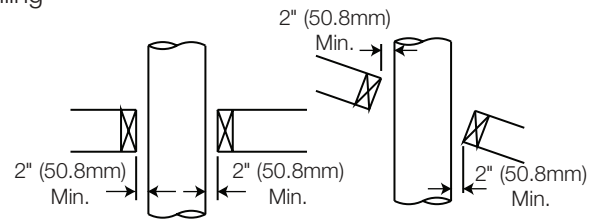
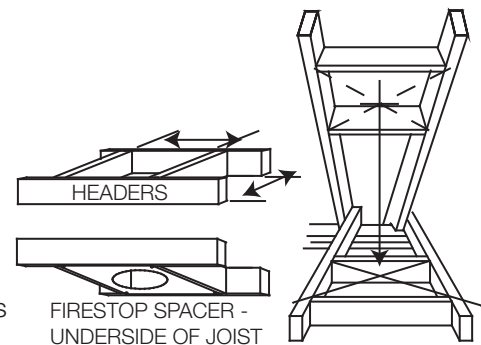
**DOUBLE OFF-SET CHIMNEY**

\* The first flue offset closest to the top of the appliance must be a minimum distance of 12" (30.5cm) from the top of the appliance.

- Move the appliance into position. Try to center the exhaust flue of the appliance, midpoint between two joists to prevent having to cut them. Use a plumb bob to line up the centre.
- Cut and frame an opening in the ceiling to provide a minimum clearance of 2" (50.8mm) between the outside of the chimney and any combustible material. **DO NOT FILL THIS SPACE WITH ANY TYPE OF MATERIAL!** Nail headers between the joists for extra support. Firestop spacers must be placed on each framed opening in any floor or ceiling that the chimney passes through.
- Hold a plumb bob from the underside of the roof to determine where the opening in the roof should be. Cut and frame the roof opening maintaining proper 2" (50.8mm) clearances.

**note:**

30° or 45° offsets may be installed back to back.



**Typical Joist Framing**

**Typical Roof Joist Framing**

**note:**

When installing chimney with an anchor plate smaller than 12" (30.5cm) x 12" (30.5cm), an AP8 kit must be installed.

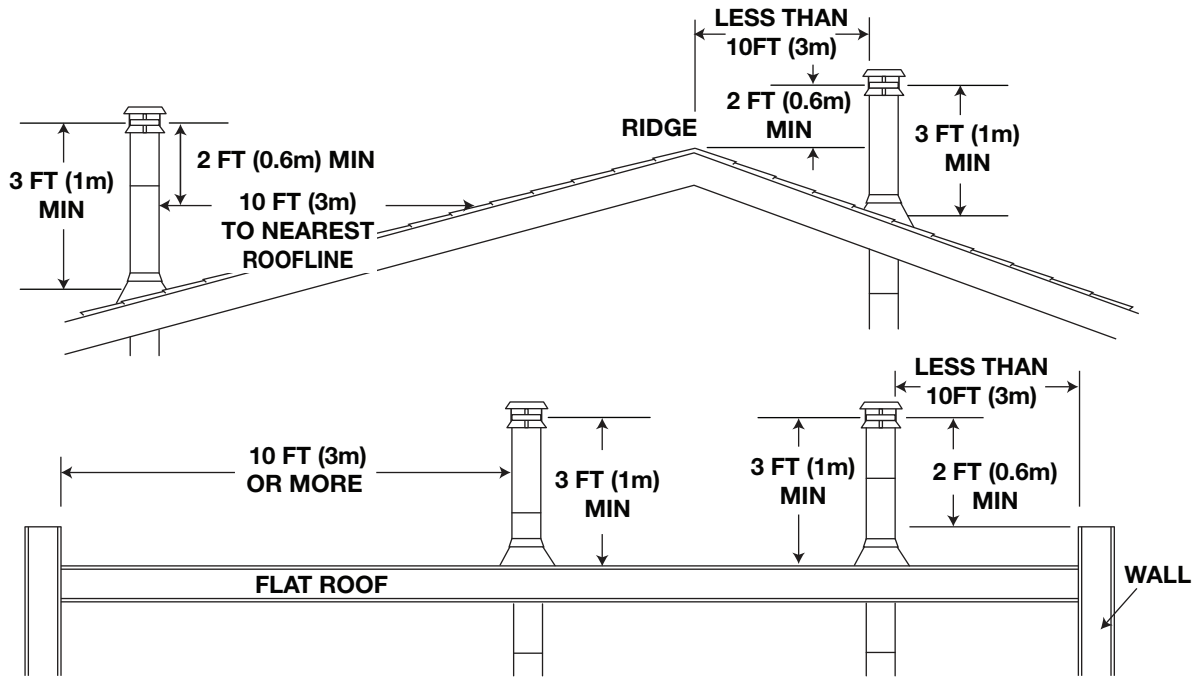
**note:**

When installing 8" air cooled chimney, an NZAC8KT must be installed (see "air cooled chimney installation" section).

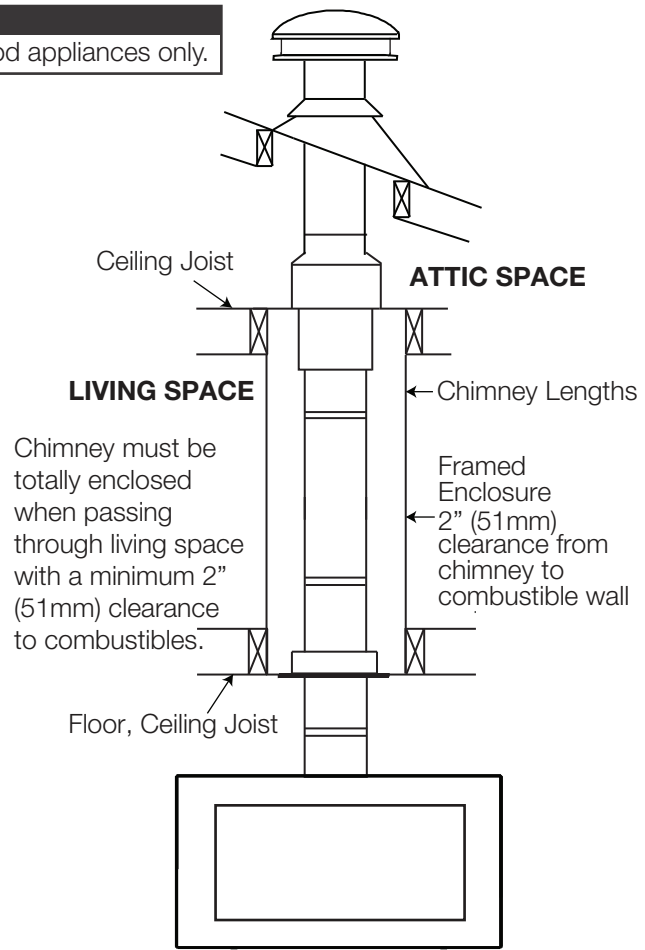


### 4.3 adding chimney sections

Add chimney sections, according to the manufacturer’s installation instructions. If the chimney system passes through an attic space, a rafter radiation shield or attic insulation shield is required. The chimney must extend at least 3ft (0.9m) above its point of contact with the roof and at least 2ft (0.6m) higher than any wall, roof or building within 10ft (3.1m). If the chimney extends more than 5ft (1.5m) above the roof, it must be secured using a roof brace or guide wires. A raincap must be installed to avoid internal damage and corrosion.



**note:**  
This illustration is for wood appliances only.



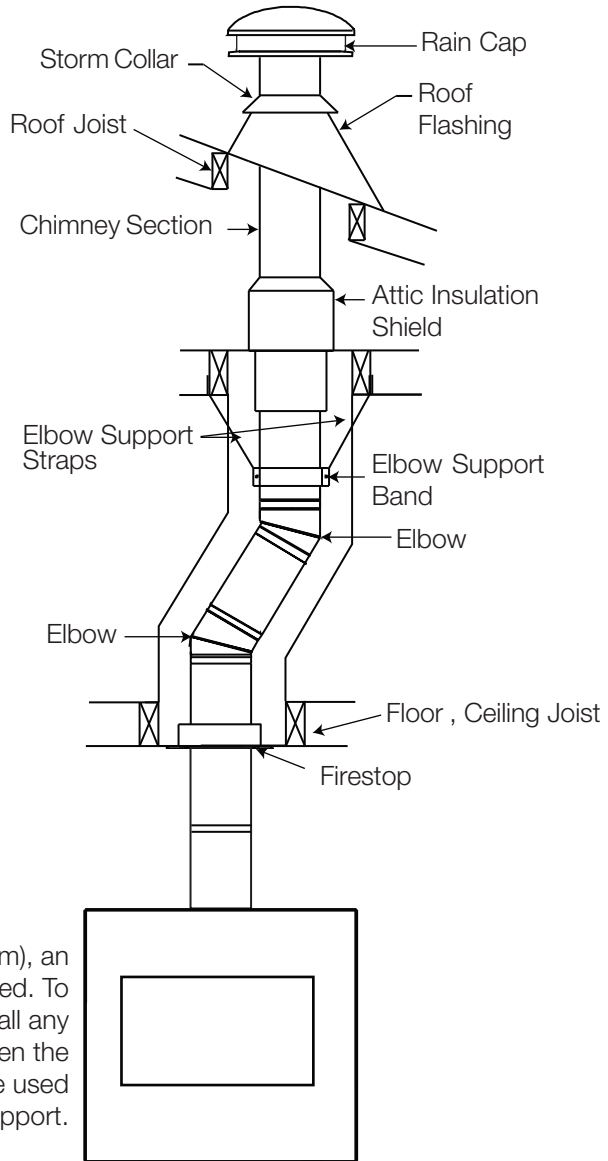
## 4.4 offset chimney installation

**! WARNING**

- Chimney sections installed between an offset and return require structural support to reduce off-center loading and to prevent chimney sections from separating at the chimney joists.
- The chimney should not be built with an offset angle in excess of 45° in Canada and 30° in USA. Do not combine offset chimney components to exceed these angles.

The first flue offset closest to the top of the appliance must be a minimum distance of 12" (30.5cm) from the top of the appliance.

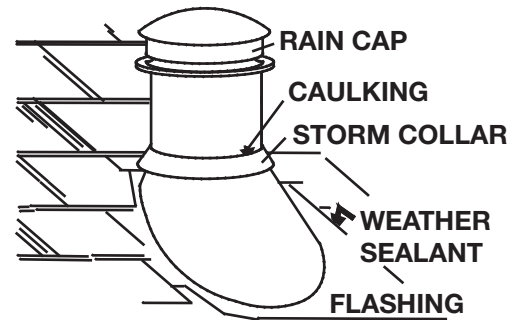
Attach an elbow to the chimney section, angled toward the offset. Secure according to chimney manufacturer's instructions. Chimney sections must be adequately secured one to the other to ensure they do not separate. To achieve the minimum offset, attach and secure a second elbow. To achieve longer offsets, you may install any available length of chimney pipe between the elbows. Supports must be used on the first vertical chimney section after a return elbow.



If the offset length is more than 36" (91.4cm), an intermediate support must be employed. To achieve longer offsets, you may install any available length of chimney pipe between the elbows. The intermediate support must be used in conjunction with an offset support.

## 4.5 installing flashing and storm collar

The following are generic installation instructions for installing the flashing around a chimney. Installation of all types of factory-built chimney systems is to be in accordance with the chimney manufacturer's installation instructions. Remove the nails from the shingles above and to the sides of the chimney. Place the flashing over the chimney pipe and slide underneath the sides and upper edge of the shingles. Ensure that the chimney pipe is properly centered within the flashing, giving a 3/4" (19.1mm) margin all around. Fasten to the roof on the top and sides. **DO NOT NAIL** through the lower portion of the flashing. Make weather-tight by sealing with caulking. Where possible, cover the sides and top edges of the flashing with roofing material. Apply waterproof caulking, provided with the flashing, around the chimney, 1" (25.4mm) above the top of the flashing and push the storm collar down into the caulking. Insert a rain cap onto the top of the last chimney section.



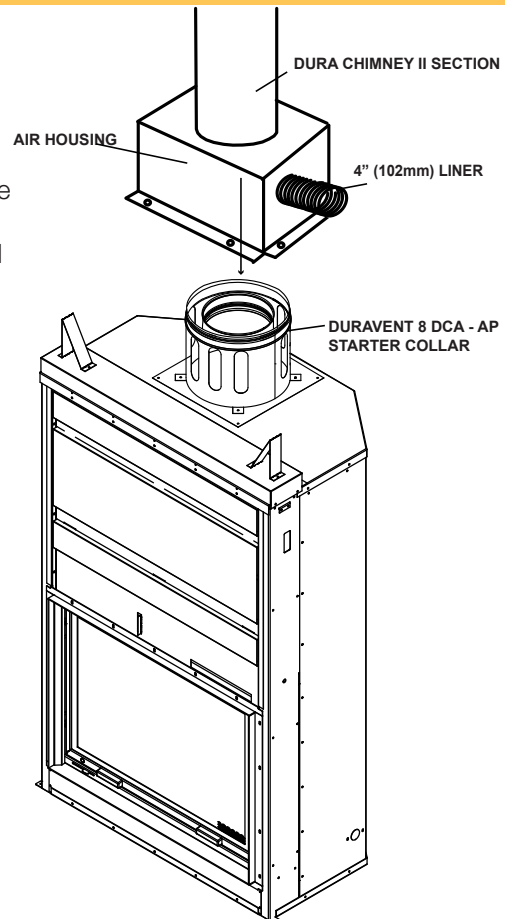
## 4.6 air cooled chimney installation

### WARNING

- Do not block the outside air inlet opening on the exterior of the house. Doing so will result in fire or death.

This appliance has been tested for use with DuraVent, DuraChimney II. The NZAC8KT air housing must be used in conjunction with DuraVent 8DCA-AP starter collar to complete the installation.

- Install the starter collar using the gasket provided over the flue and fasten to the top of the fireplace.
- Slide the air housing onto the first section of the chimney and secure the chimney to the starter collar.
- Slide the air housing down the chimney section and secure housing to the top of the fireplace.
- Connect the outside air connection for the chimney.



#### note:

Air slots in the starter collar are to be completely covered by the air housing

#### note:

Follow the chimney manufacturer's instructions for installing the chimney

#### note:

Use 111KT outside air kit to connect to air housing. Maximum length of 4" (101.5mm) liner is 20' (6m). If greater length is required then increase the liner diameter to 6" (154.4mm).

#### note:

An air cooled chimney requires its own dedicated outside air supply with a minimum of 4" liner diameter. (Not to be shared with appliance outside air).

**4.7 use with gas log sets (vented and unvented)****! WARNING**

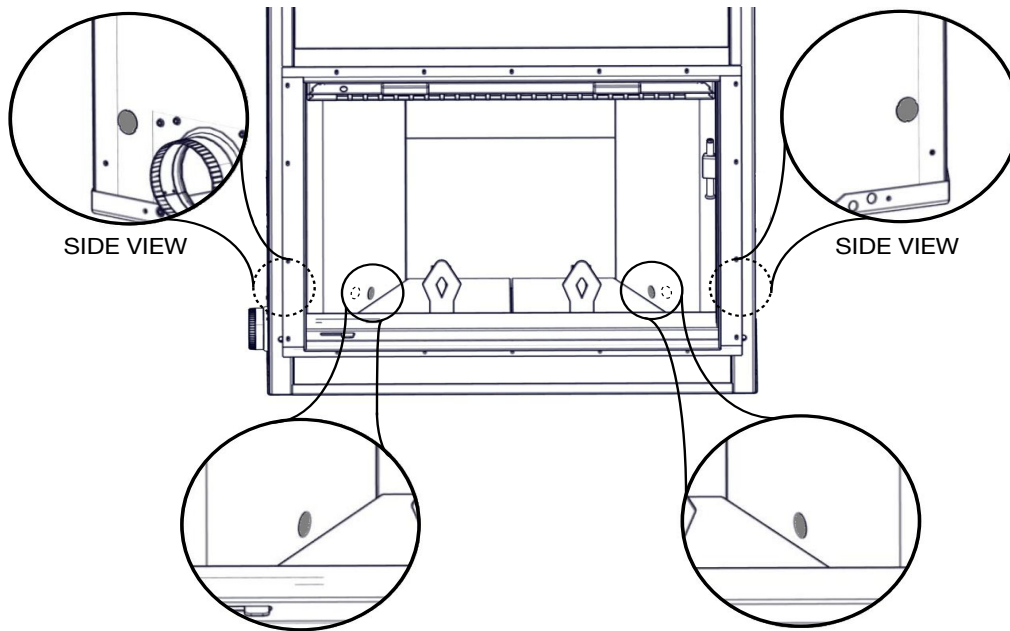
- It is mandatory that the flue damper is set open for use with vented type gas log sets.
- Only unvented gas log sets which have been found to comply with the standard for unvented room heaters, ANSI/IAS/AGA Z21.11.2, are to be installed with this appliance.
- Do not operate an unvented gas log set in this appliance with the chimney removed.
- Before installing or operating the gas log set, ensure all refractory bricks and insulation are installed and in good working order.
- The doors must be fully opened when operating the appliance with a gas log set installed.

This appliance has been tested for use with manufactured gas log sets (max. 40,000 BTU's). When vented type log sets are used, the flue damper must be affixed open.

This appliance has been designed for easy installation of gas pipe through the sides of the firebox. The refractory brick has moulded dimples in the bottom front corners of the firebox that can be knocked out. There are corresponding knockouts for the firebox and outer shell. Once removed, install the gas log set according to the manufacturer's installation instructions.

**note:**

To complete the installation of the gas log set, it may be necessary to remove the andirons.



## 5.0 framing

### ! WARNING

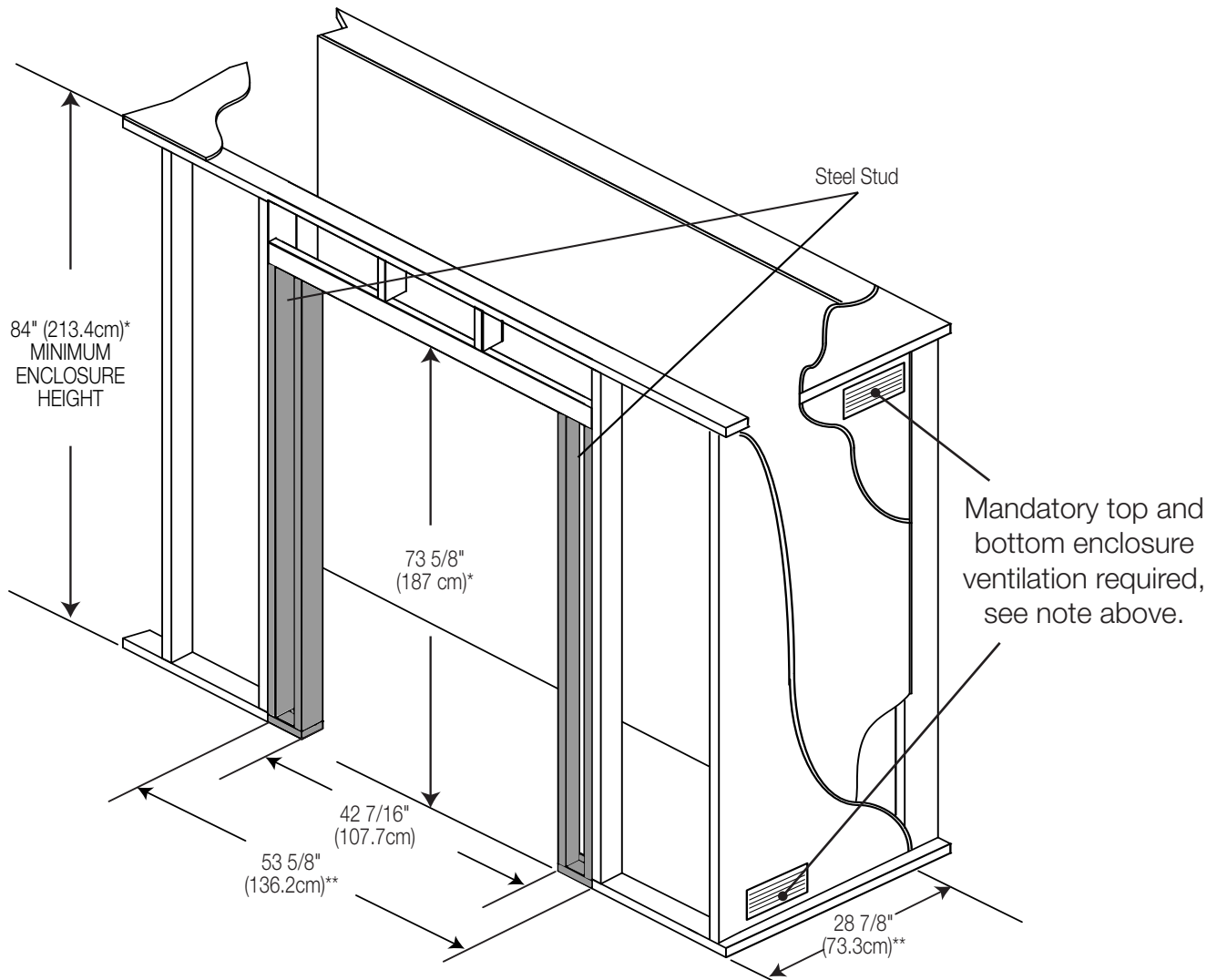
- In order to avoid the possibility of exposed insulation or vapour barrier coming in contact with the appliance body, it is recommended that the walls of the appliance enclosure be "finished" (i.e.: drywall/sheetrock), as you would finish any other visible wall of a home. This will ensure that clearance to combustibles is maintained within the cavity.
- Do not build shelves or cupboards into the area above the appliance.
- Objects placed in front of the appliance must be kept a minimum of 48" (121.9cm) away from the front face of the appliance.

#### note:

Use metal studs wherever non-combustible facing is required.

#### note:

The appliance enclosure must be provided with sufficient air circulation to avoid a fire hazard. Install ventilation grilles (minimum free air opening of 40 sq. in. [0.03 sq. meters]) at both floor and ceiling levels of the enclosure. These grilles must not restrict the flow of heat by more than 25%. Do not install into any area having a height less than 7 ft. (2m) (ceiling enclosure to appliance bottom, excluding hearth height). The location of windows, doors and the traffic flow in the room where the stove is to be located should be considered. If possible, you should choose a location where the chimney will pass through the house without cutting a floor or roof joist.



\* Allow for finished floor and hearth thickness when setting these dimensions.

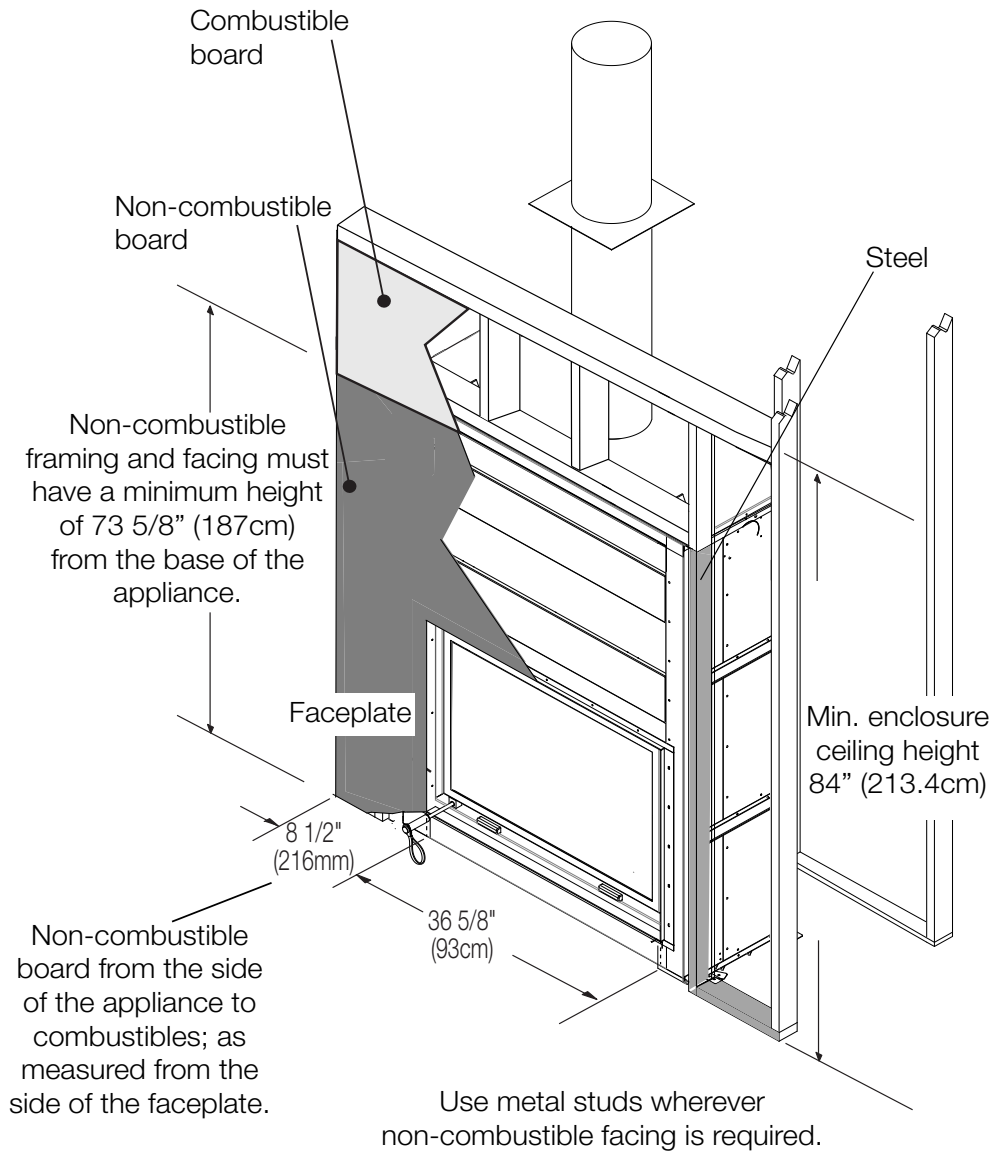
\*\* When constructing the enclosure allow for finishing material thickness to maintain clearances.

# framing

## 5.1 finishing material

### **!** WARNING

- Screws used to fasten finishing materials to the face of the appliance above the guillotine screen and door must not penetrate more than 1/2" (13mm) into the sheet metal front panels. Refer to the "dimensions" section for specific requirements.
- Do not pack air spaces with insulation or other materials.
- Use only a non-combustible material to finish the face of the appliance. A non-combustible material such as cement board is required for this purpose.
- Ventilation openings are mandatory for enclosures.
- Above 73 5/8" (187cm) combustible finishing materials may be used on the front face (measured appliance from base of unit).
- Do not insulate around the appliance.



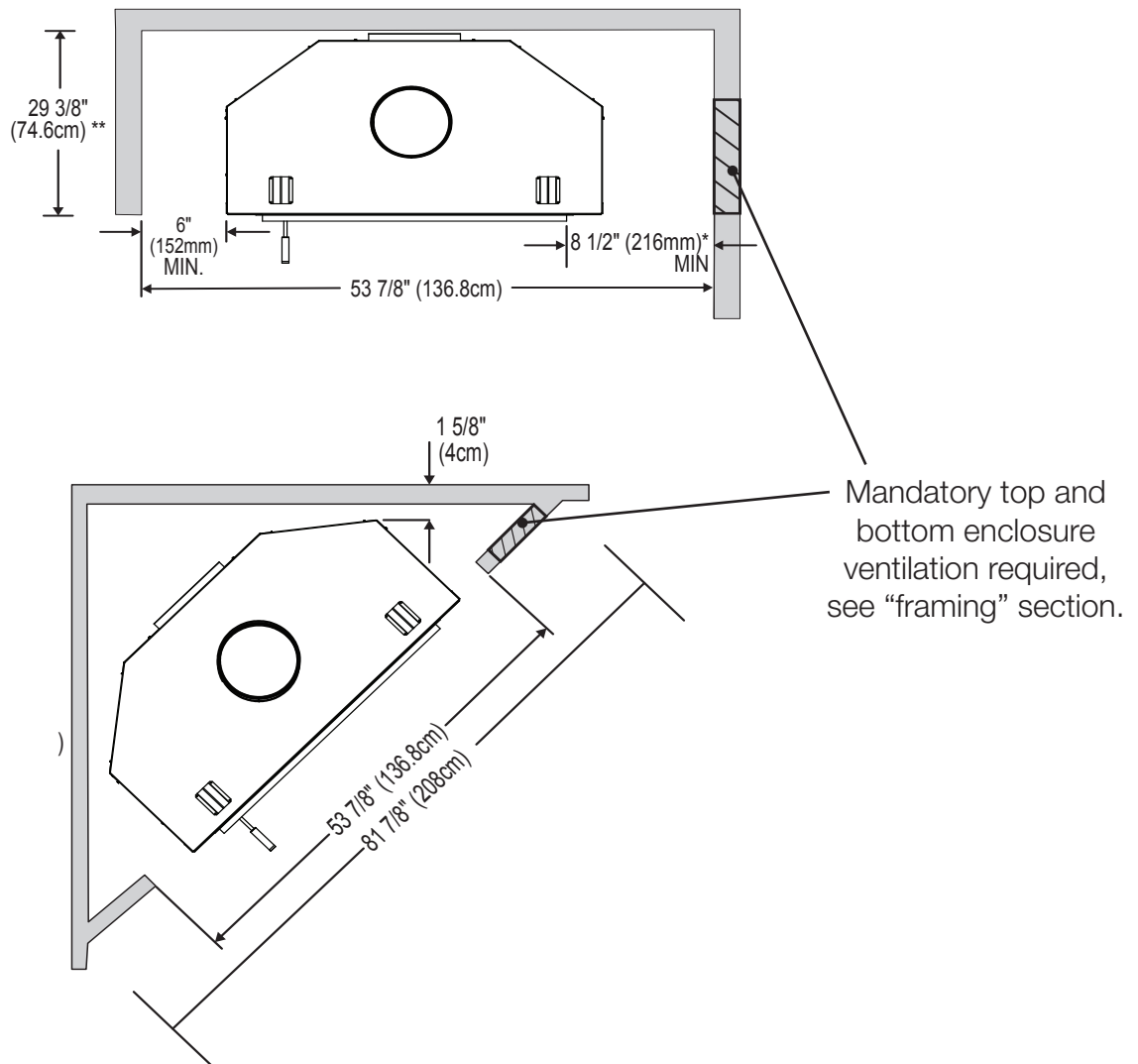
#### **note:**

Before you completely close up the enclosure, ensure the air control, flue damper and the door / screen assemblies perform as intended.

## 5.2 minimum clearance to combustibles

Framed enclosure	
Rear	- 0" (0mm) to stand-offs
Sides of the appliance	- 6" (15.2cm) from the side of the appliance
Enclosure ceiling	- 84" (213.4cm) from the base of the appliance
Ceiling in front of appliance	- 84" (213.4cm) from the base of the appliance
Chimney	- 2" (51mm) (follow manufacturer's instructions)

## 5.3 minimum enclosure clearances



When framing in appliance, allow for finishing material thickness.

\* Minimum combustible side wall clearance

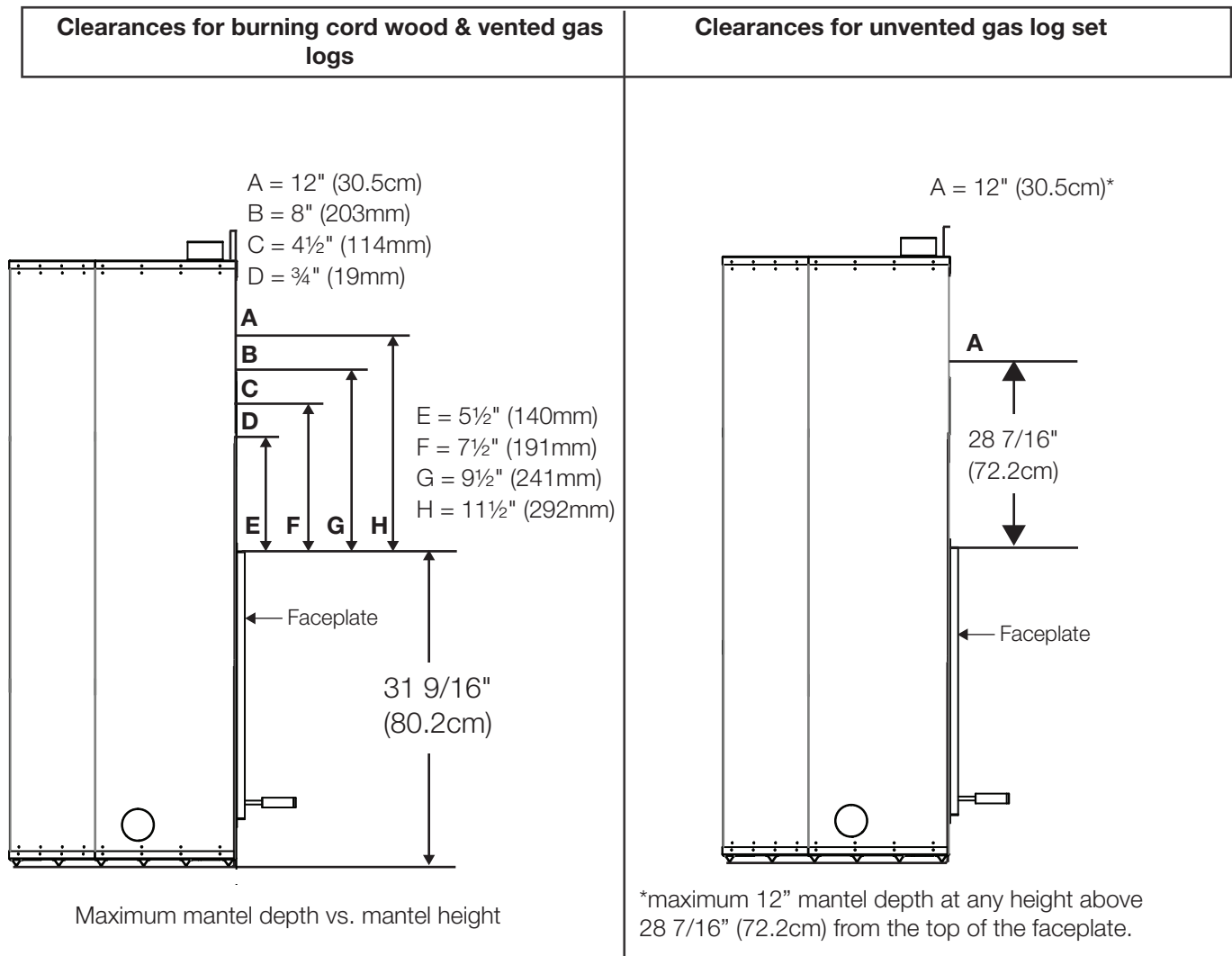
\*\* Does not include finishing trim depth

## 5.4 minimum combustible mantel clearances

**! WARNING**

- Risk of fire. Maintain all specified air space clearances to combustibles. Failure to comply with these instructions may cause a fire or cause the appliance to overheat. Ensure all clearances (i.e. back, side, top, vent, mantel, front, etc.) are clearly maintained.
- When using paint or lacquer to finish the mantel, the paint or lacquer must be heat resistant to prevent discoloration.
- When installing an unvented gas log set, all minimum clearances must be adhered to.
- **If the mantel is installed to cord wood clearances, an unvented gas log set cannot be installed.**

See chart below for further information on mantel installation. Do not exceed the specified mantel depths or minimum mantel heights outlined.





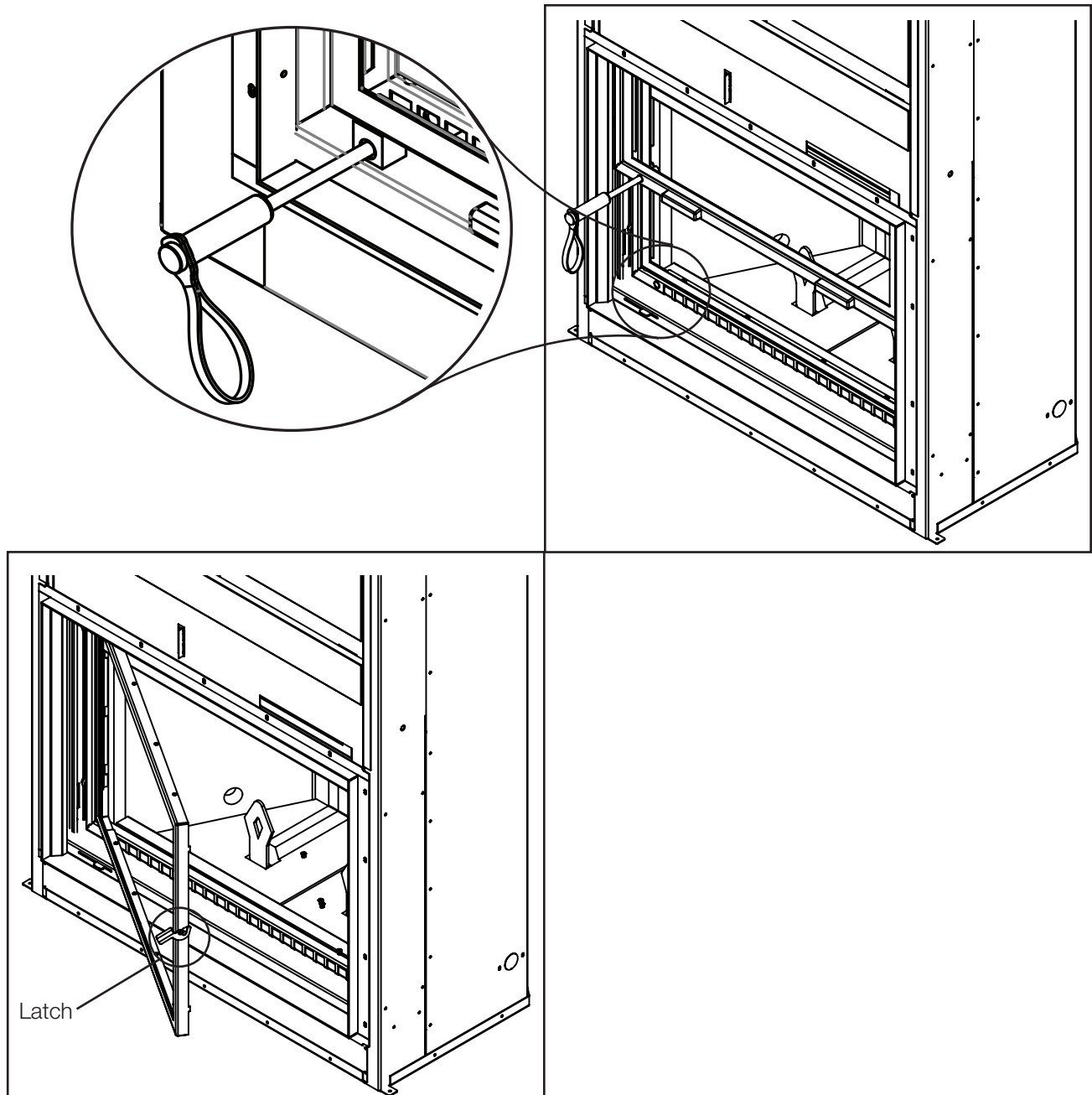
## 6.1 door & screen operation

Insert door tool into screen and glass door receiver bottom left corner to raise and lower the door. When not in use, store in a close by location. Do not leave the door tool installed during regular operation as it will become extremely hot.

To swing open the glass door, lift the latch on the right side up and swing the door outward.

### WARNING

- The appliance should be operated with either the glass or screen door closed other than when loading wood.



#### **note:**

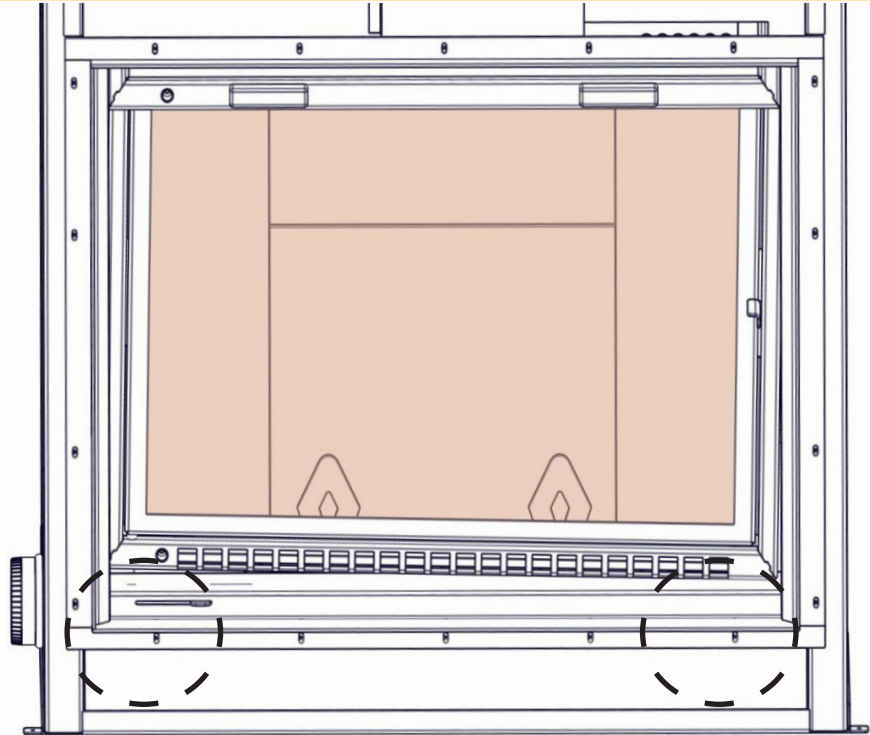
To prevent the rapid rise of the doors, since they are balanced with counterweights, it is recommended to secure the cable on the top of the door frame when removing the door or screen frames for service.

## 6.2 door level adjustment

**! WARNING**

- Do not use substitute materials.
- Glass may be hot; do not touch glass until cooled.

Door adjustment may be necessary if door is not level.

**note:**

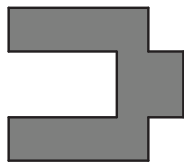
The safety screen and glass door are equipped with the same adjustment mechanism. If necessary, follow the same "door level adjustment" procedure for the safety screen and/or glass door.

**note:**

Door adjustment is strictly trial and error; you may need to perform this adjustment a few times until the desired door angle is attained.

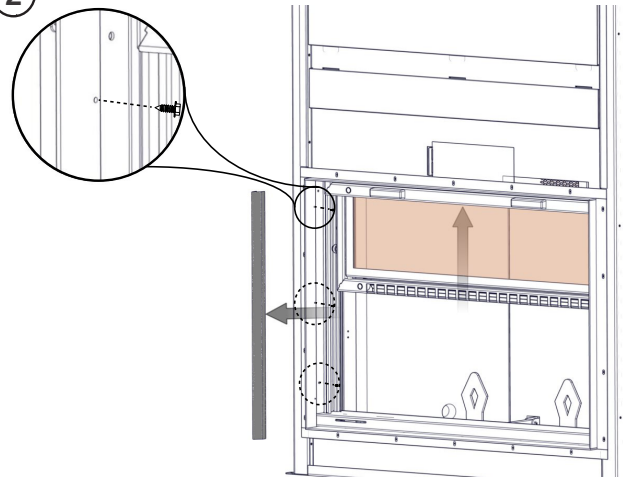
①

Type B x 6

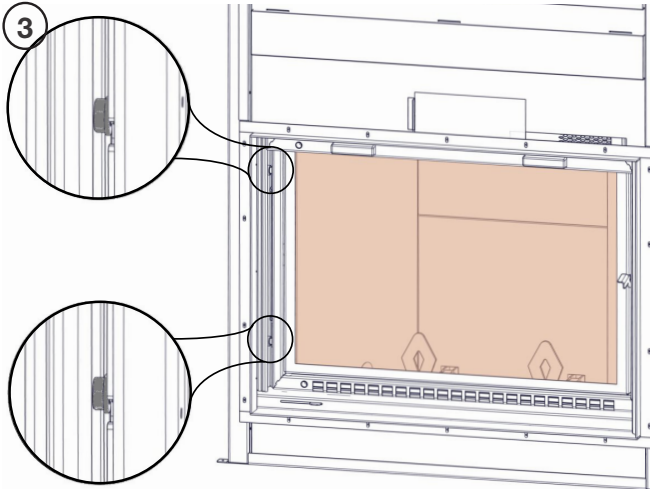


Six (6) shims are provided (max. 3 per side).

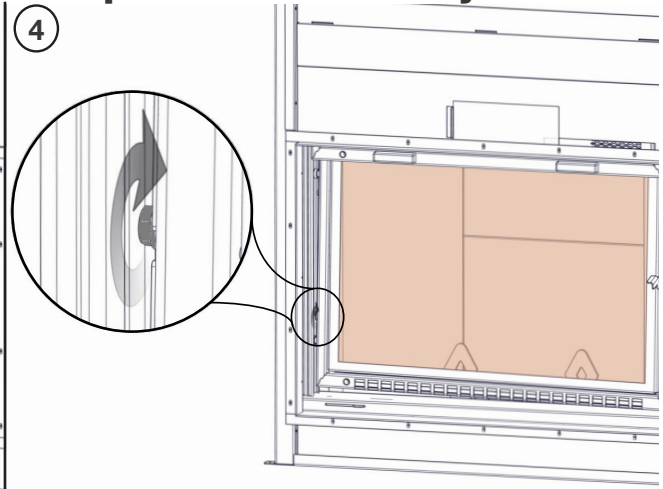
②



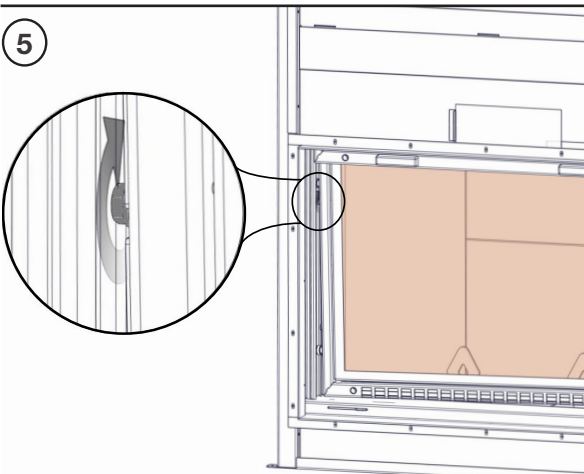
Open the door, **loosen** the three retaining screw and slide the left side trim forward off of the appliance.



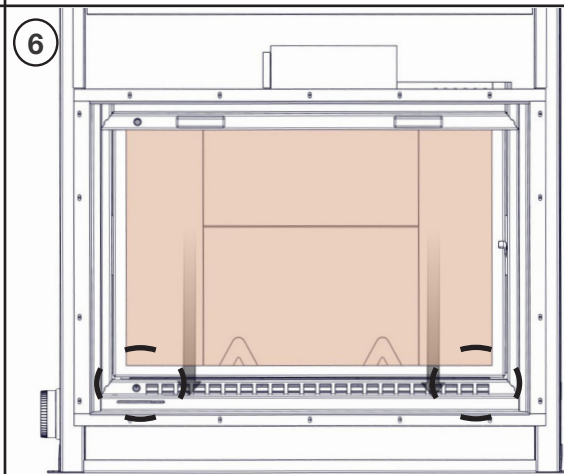
Close door. Locate the two hex screws on the left side of the door that secure the bearing assembly.  
**Do not loosen the bearing bolts.**



If the left side of the door is not resting on the hearth when the door is fully closed, significantly loosen (but do not remove) the lower hex screw.



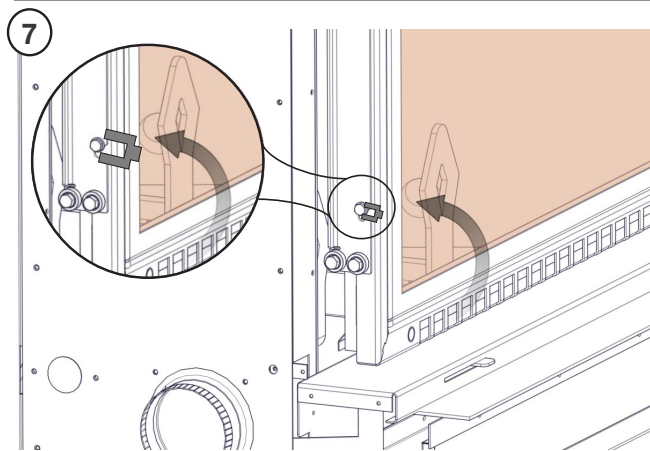
If the right side of the door is not resting on the hearth when the door is fully closed, significantly loosen (**but do not remove**) the upper hex screw.



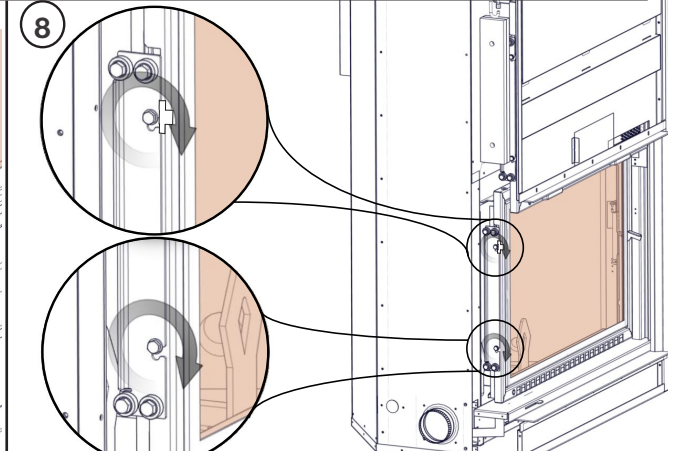
Pull the door down fully until it is completely resting flat on the hearth.

**note:**

For clarity purposes, some parts of the appliance have been hidden.



Insert shims in behind the bearing bracket until the gap is filled.



Tighten loosened hex screw and verify the door is level. It may be necessary to add or remove an additional shim to achieve optimal results. **It should never be necessary to shim both upper and lower hex screws.**

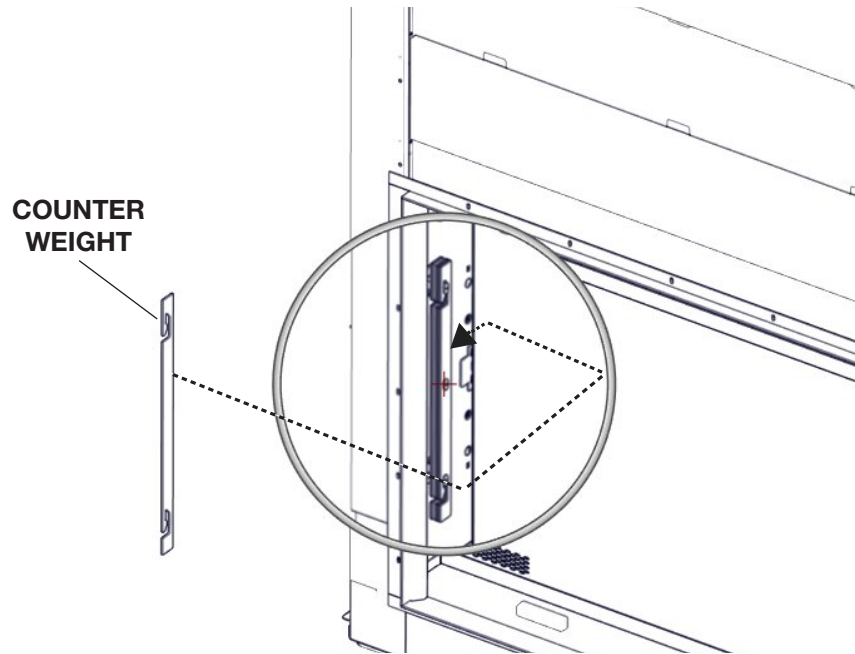
9 Reverse instructions in step 2 to reinstall the left side trim.

# operation and adjustments

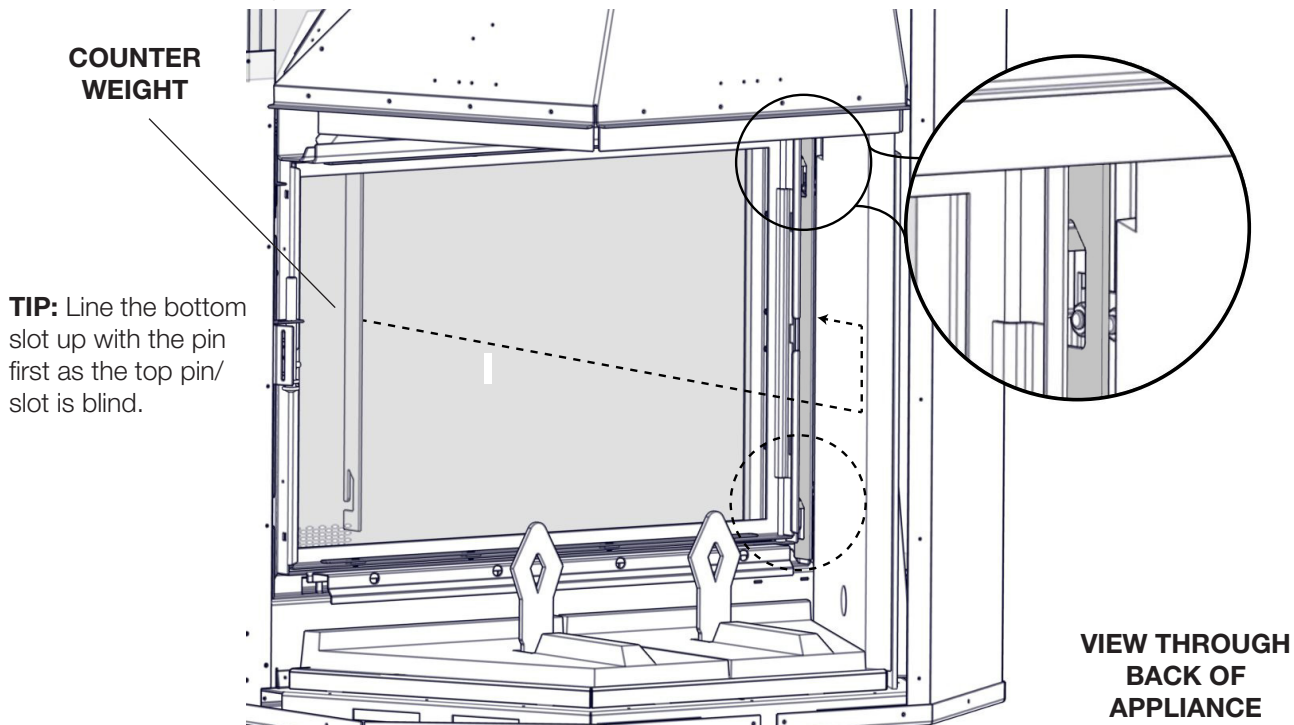
## 6.3 counter weight adjustment

Counter weights have been installed and supplied in this appliance to ensure your screen and glass door movement is balanced and operates smoothly.

If the glass or screen door become unbalanced (falling or rising rapidly), it is important to add or subtract the counter weight to the doors to ensure they perform properly.



The screen door counter weights are located on the outer screen frame on the inside left of the screen frame. Remove or add as required to balance.



The glass door weights are located on the outer glass frame on the left side. Remove or add as required to balance.

## 7.1 firebrick installation

### **! WARNING**

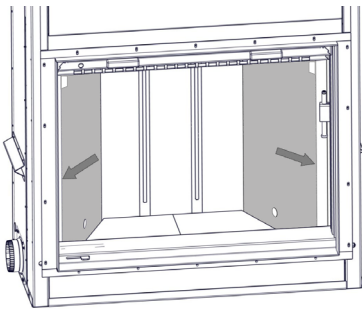
- Risk of fire! Operation of the appliance without the firebricks can result in excessive temperatures that will damage the appliance, chimney and the surrounding enclosure.

#### **note:**

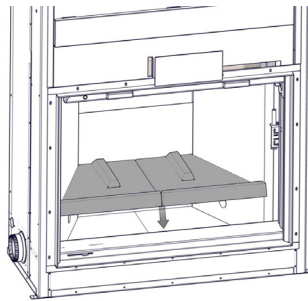
Ensure fibre panels set in behind brick are in good condition before installing firebrick. If fibre panels need to be replaced, hold panels in position or secure with masking tape until firebrick is installed.

#### **Proper Installation of Side Panels:**

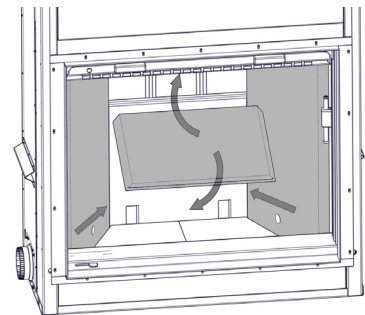
Side panels will have two distinct angles on either side of each panel. The shallow angle should face the outside of the appliance. The steeper angle should face to the inside of the appliance and will match to the adjacent panel.



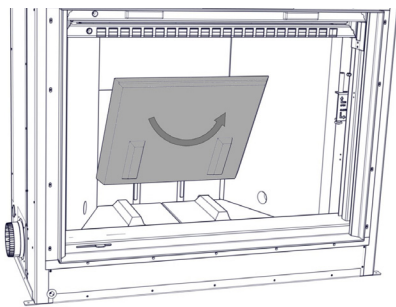
1. Tilt and install the right and left rear firebrick against the wall with cutouts towards the front. Pull towards the front of the appliance.



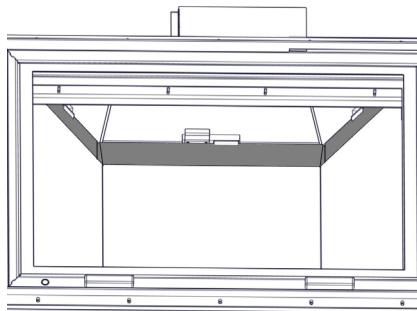
2. Install the bottom firebricks and pull forward until rear brick is installed.



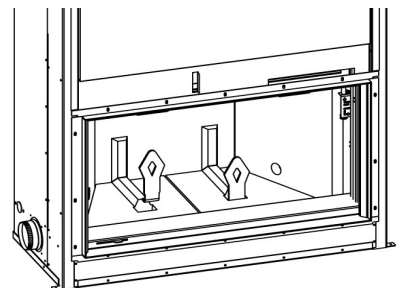
3. Tilt and install the bottom rear firebrick against the wall.



4. Install the middle top rear firebrick.



5. Position the two side and back fiber panels (shipped inside the appliance box), then secure with the retaining brackets supplied.



6. Using the screws supplied secure andirons (shipped in appliance box) in place.

# installation and replacement

## 7.2 baffle installation

Your appliance is shipped with two baffles. For protection, the rear baffle is shipped inside your appliance box and the front baffle is shipped laying on the firebox base inside your appliance. For proper appliance operation and installation, the rear baffle should rest against the back of the smoke chamber and the front baffle should rest against the front of the smoke chamber.

1. To install the rear baffle (Fig. 1), tilt and move the baffle up into the smoke chamber until the baffle clears the top support bracket at the back of the appliance.
2. Place the baffle on the upper support brackets and lean the bottom against the bracket on the back of the smoke chamber.

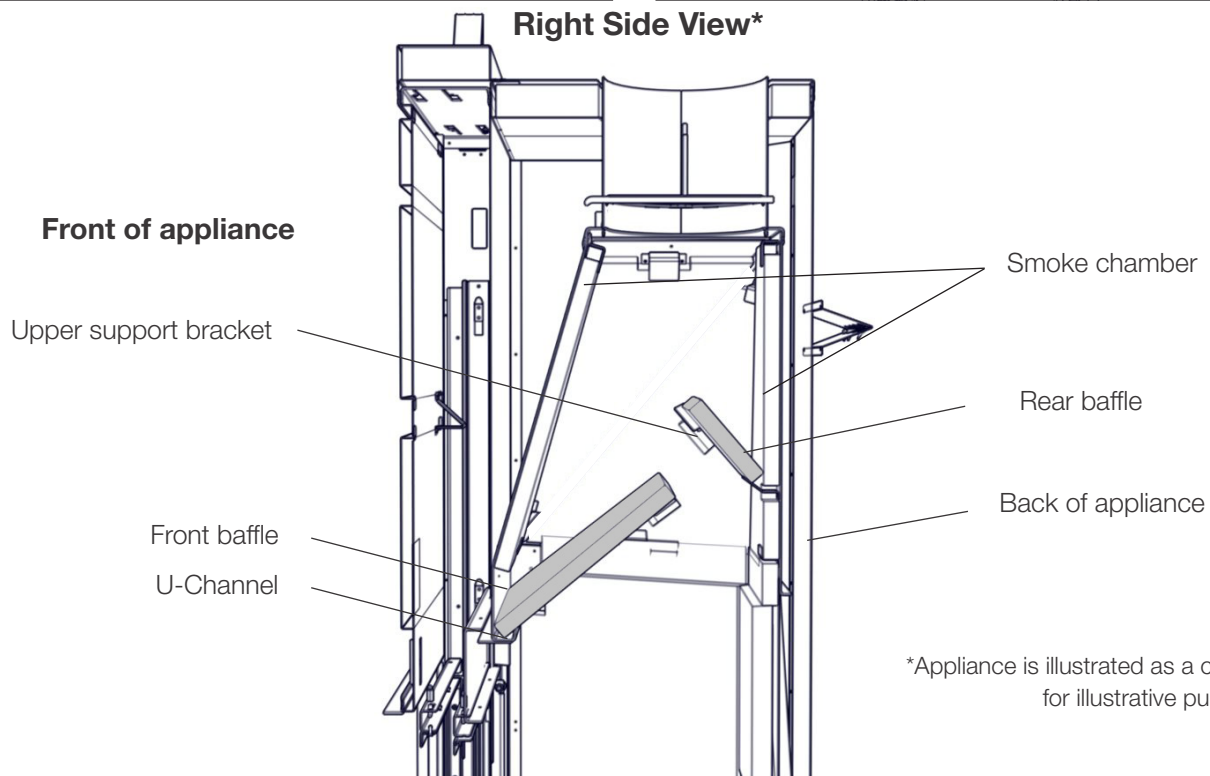
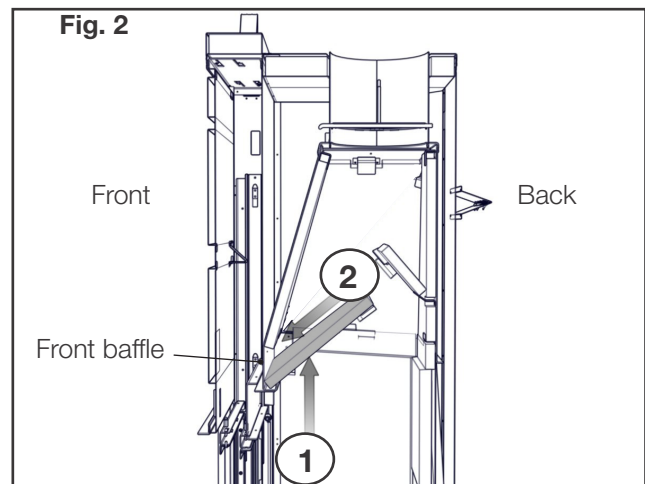
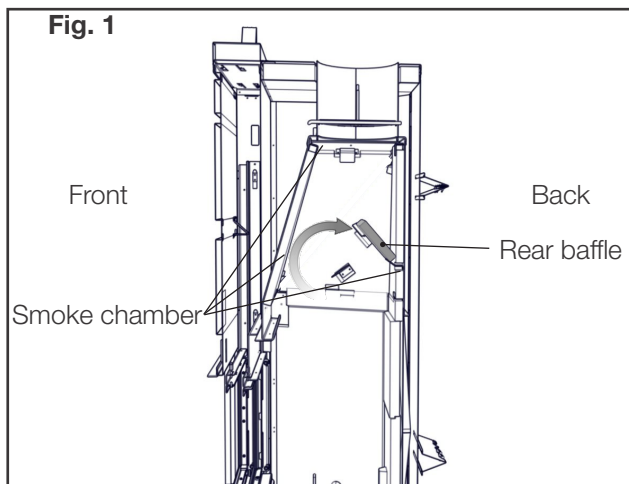
**note:**

The narrowest part of the rear baffle must lean against the back of the smoke chamber.

3. To install the front baffle (Fig. 2), slide the baffle vertically up the front of the smoke chamber.
4. Once the bottom of the baffle has cleared the U-Channel, slide the bottom of the baffle into the channel.
5. Lean the top of the baffle down onto the support brackets. Slide the baffle to center.

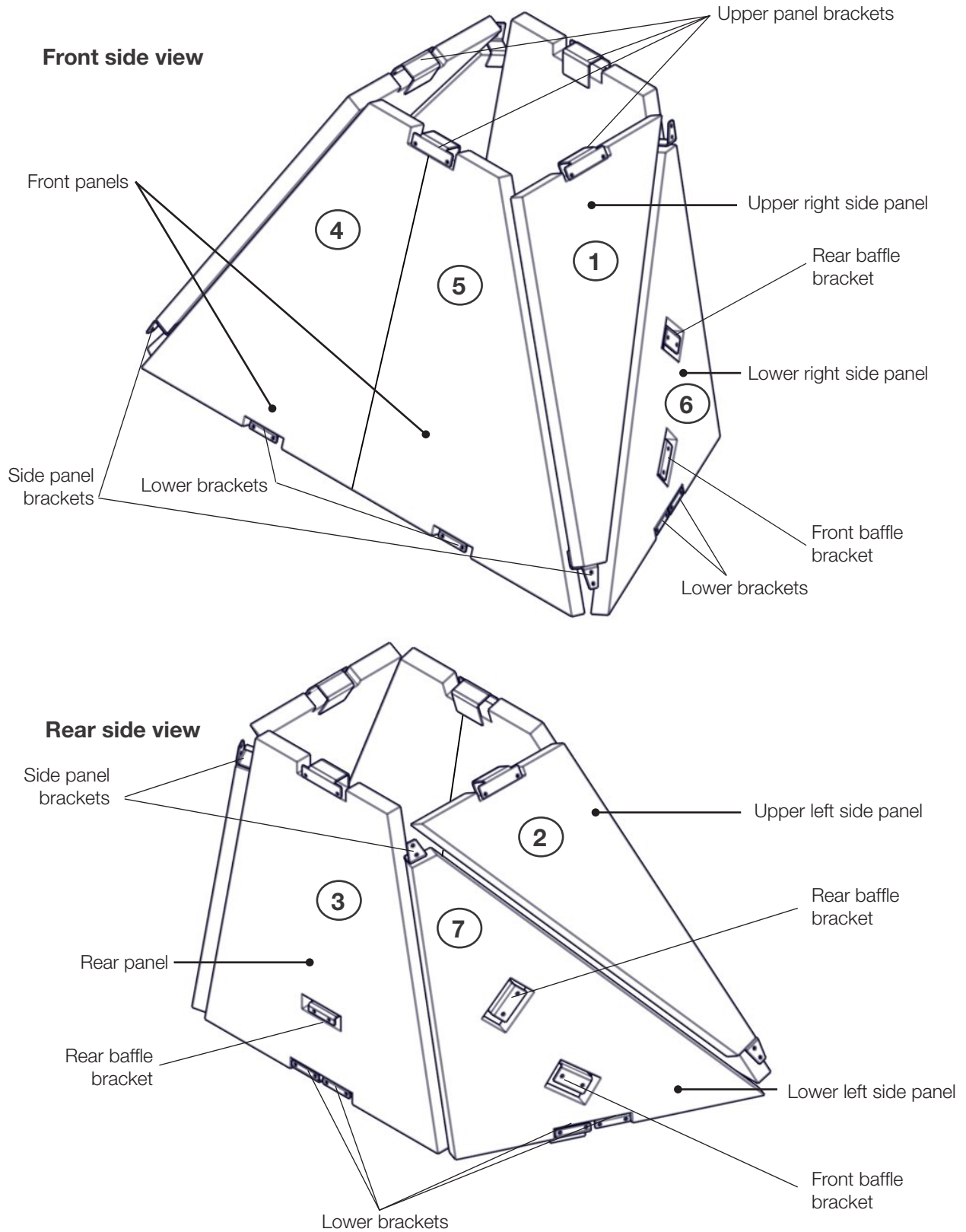
**note:**

The widest part of the front baffle must lean against the front of the smoke chamber.



\*Appliance is illustrated as a cutaway for illustrative purposes.

### 7.3 smoke chamber insulation panel overview



**note:**

Smoke chamber insulation panels are fragile. Handle with care.

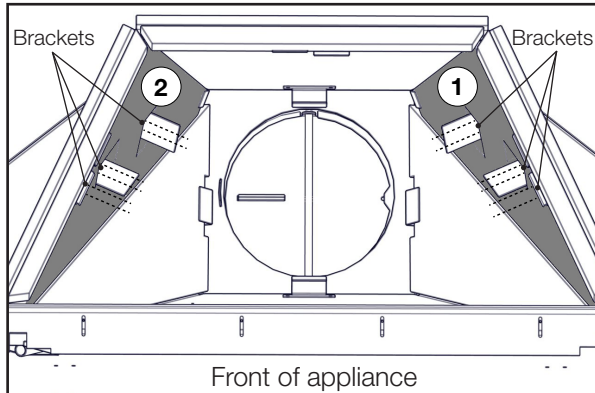
# installation and replacement

## 7.3.1 smoke chamber insulation panel replacement

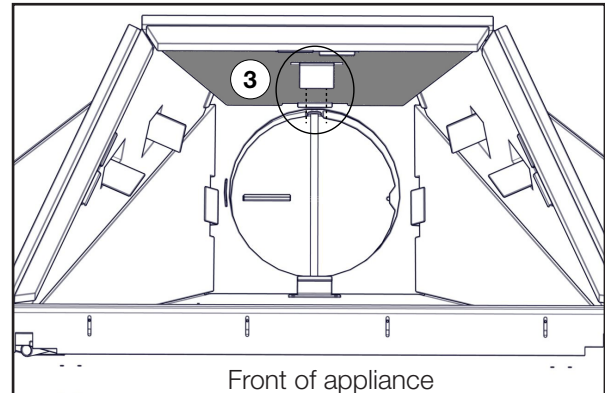
### note:

For clarity purposes, some parts of the appliance have been hidden. The illustrations below are of views looking up into the smoke chamber.

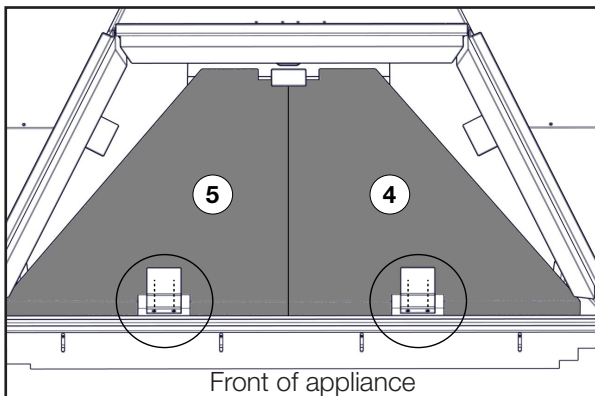
- Slide front and rear baffle up and out of retaining bracket and pivot straight down and out of smoke chamber.



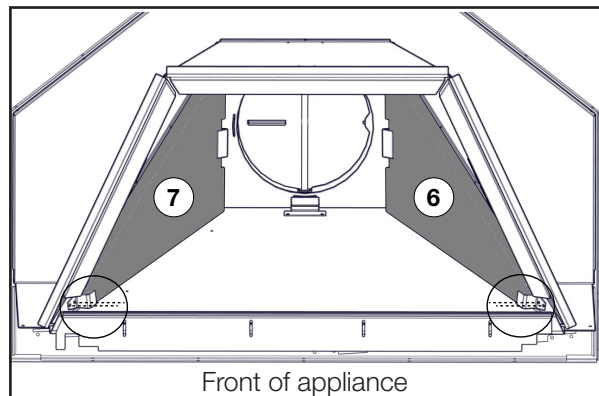
- Remove 2 screws from 3 brackets then slide upper right side panel (1) out. Repeat for upper left side panel (2).



- Remove 2 screws from rear baffle bracket and slide rear panel (3) out of smoke chamber.



- Remove 2 screws from front right bracket and slide front right panel (4) out of smoke chamber. Repeat for front left panel (5).



- Remove 2 screws from bottom bracket and slide lower right side panel (6) out. Repeat for lower left side panel (7).

### note:

To ease installation, we recommend loosely installing the side and front panel brackets in place then installing panels and tightening fasteners to secure.

- Slide lower left side panel into smoke chamber and install the bracket removed in step 5. Repeat for lower right side panel.
- Slide front panels into smoke chamber and install brackets removed in step 4.
- Slide rear panel into smoke chamber and install bracket removed in step 3.
- Slide upper right side panel into smoke chamber and install brackets removed in step 2. Repeat for upper left side panel.
- Slide rear baffle into smoke chamber and install bracket removed in step 1. Repeat for front baffle.

### note:

Smoke chamber insulation panels are fragile. Handle with care.

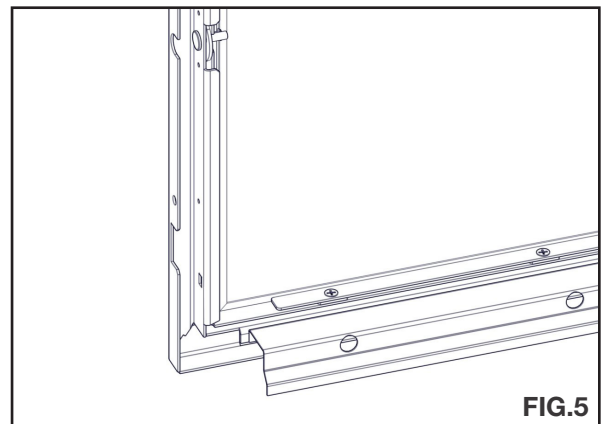
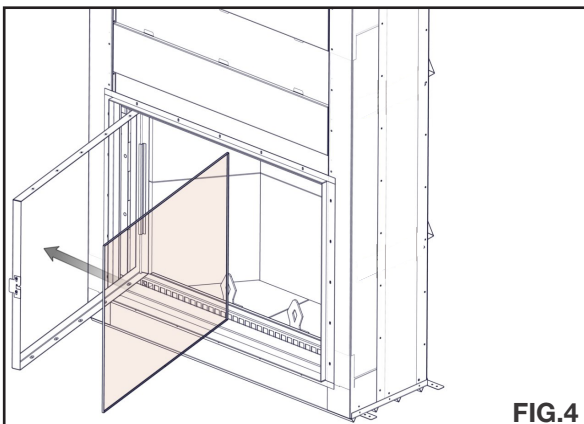
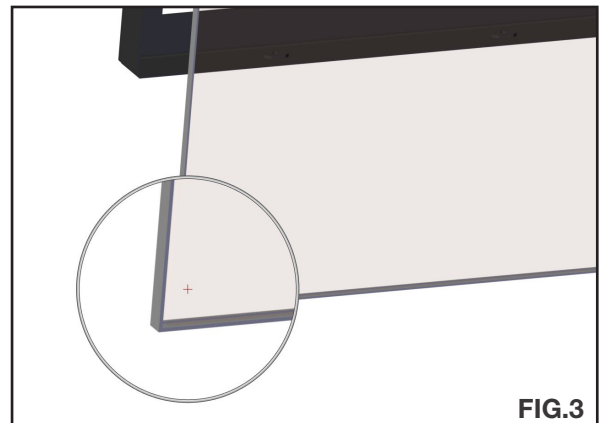
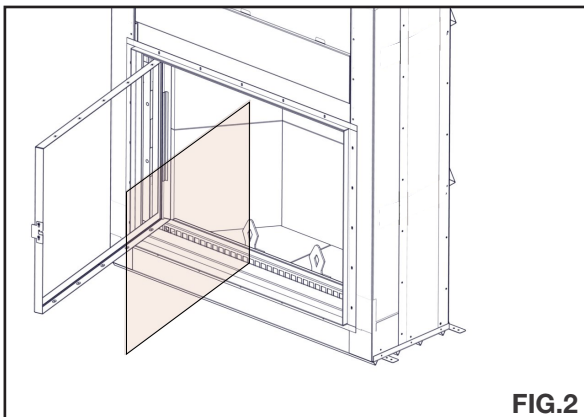
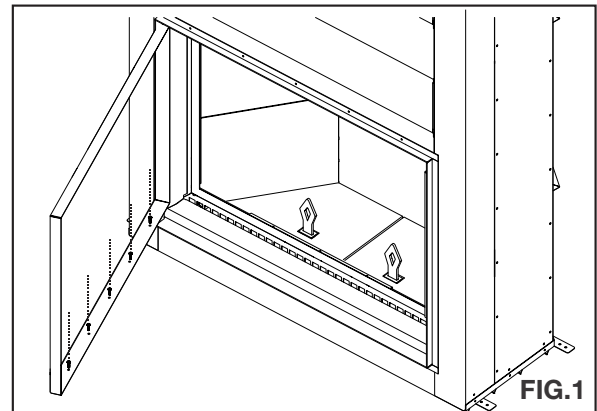


## 7.4 door glass replacement

### **!** WARNING

- Do not use substitute materials.
- Glass may be hot; do not touch glass until cooled.
- Care must be taken when removing and disposing of any broken door glass or damaged components. Be sure to vacuum up any broken glass from inside the appliance before operation.
- Do not strike, slam or scratch glass. Do not operate appliance with glass removed, cracked, broken or scratched.

1. **Removing the glass will result in the door frame immediately rising, use caution. It is recommended to place a shim between the top of the door frame and the appliance frame to prevent damage to the door frame.**
2. Lift the screen up into the appliance.
3. Lower the glass door down and unlatch. Swing the glass door open.
4. Unscrew the top and bottom retainers inside the door frame. **(FIG.1)**
5. Remove the glass from the door frame. **(FIG.2)**
6. Center and apply the gasket to the edge of the glass. Ensure the gasket is a continuous loop around the perimeter of the replacement glass. **(FIG.3)**
7. Reinstall the glass inside the door frame. **(FIG.4)**
8. Reposition top and bottom retainers using screws removed in step 4. Ensure retainers are in position correctly. **(FIG.5)**



# installation and replacement

## 7.5 screen replacement

### WARNING

- Risk of Injury!
- Perform only when appliance is cool
- Clean firebox of all embers and ash
- Remove andirons

1. **Removing the screen will result in the screen immediately rising, use caution. It is recommended to have another person assist in holding the screen door while the screen frame is being removed.**
2. Lift the screen. From inside the appliance, lower the screen (**FIG.1**).
3. Remove the 10 top and bottom screws and the 8 side screws (**FIG. 2**).
4. Remove the screen from the frame and replace.
5. Reverse these steps to reinstall the screen frame into the appliance.
6. If the screen door becomes unbalanced, refer to the “balance weight adjustment” section.

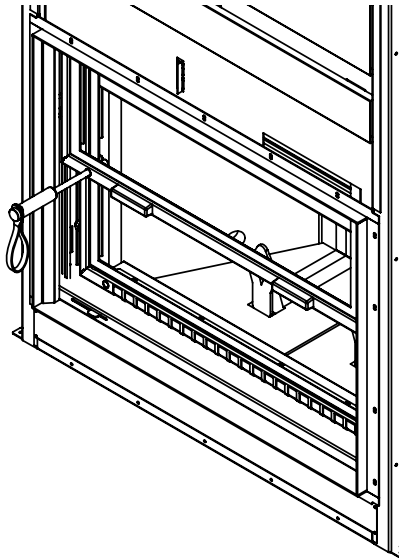


FIG.1

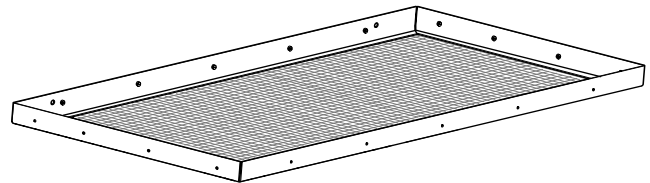


FIG.2

**note:**

Do not leave the door slightly open. Ensure your counter weights are balanced and the doors close properly

**! WARNING**

- Failure to position the parts in accordance with this manual or failure to use only parts specifically approved with this appliance may result in property damage or personal injury.

Contact your dealer for questions concerning prices and policies on replacement parts. Normally, all parts can be ordered through your Authorized dealer / distributor.

**For warranty replacement parts, a photocopy of the original invoice will be required to honour the claim.**

When ordering replacement parts always give the following information:

- Model & Serial Number of appliance
- Installation date of appliance
- Part number
- Description of part
- Finish

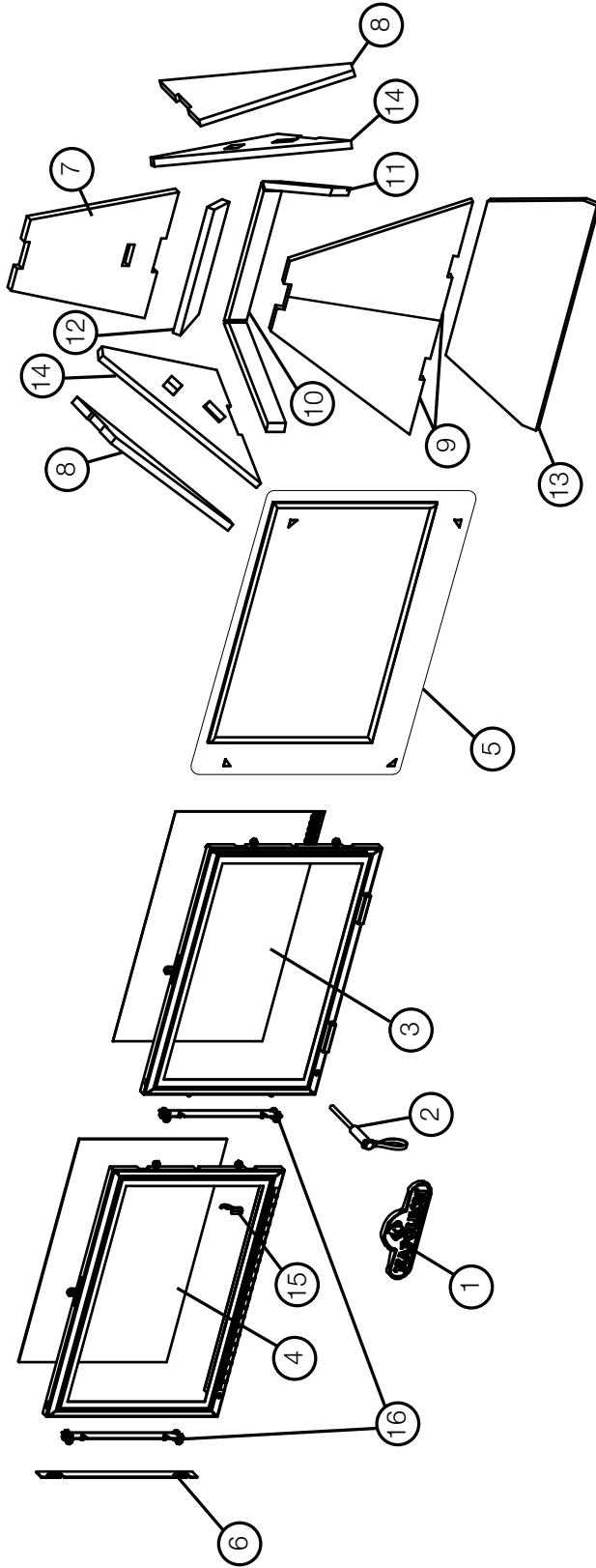
**Parts, part numbers, and availability are subject to change without notice.**

**Parts identified as stocked will be delivered within 2 to 5 business days for most delivery destinations.**

**Parts not identified as stocked will be delivered within a 2 to 4 week period, for most cases.**

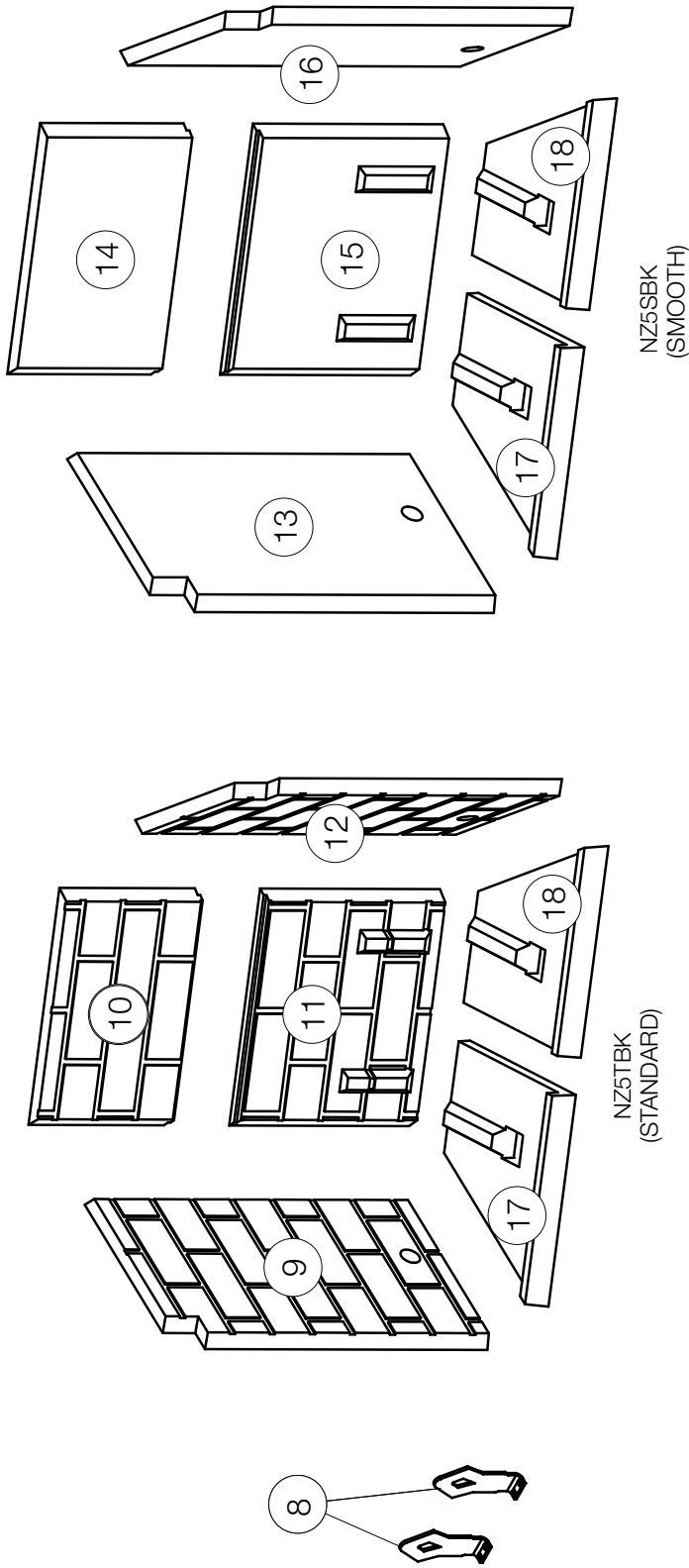
**Parts identified as 'SO' are special order and can take up to 90 days for delivery.**

8.1 overview



Items may not appear exactly as illustrated.

Ref. No	Part Number	Description	Stocked	Ref. No	Part Number	Description	Stocked
1	W385-2010	Napoleon Logo	Yes	9	W361-0285	Front Panel (Smoke Chamber)	Yes
2	W325-0086	Handle, Wood	Yes	10	W361-0290	Insulation, Firebox Top Back	Yes
3	W565-0238	Screen	Yes	11	W361-0291	Insulation, Firebox Top Side	Yes
4	W010-4273-SER	Complete door assembly		12	W361-0302	Rear Baffle	Yes
5	W562-0068	Kit, Replacement Gasket	Yes	13	W361-0303	Front Baffle	Yes
6	W740-0015	Weight, Door Adjustment		14	W361-0282	Lower Side Panel (Smoke Chamber)	Yes
7	W361-0283	Rear Panel (Smoke Chamber)	Yes	15	W390-0032	Latch, Glass Door	
8	W361-0284	Upper Side Panel (Smoke Chamber)	Yes	16	W010-4115	Door Bearing Assembly	

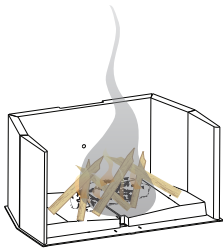
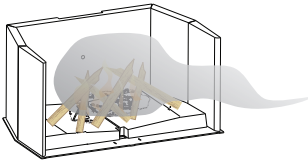


Items may not appear exactly as illustrated.

Ref. No	Part Number	Description	Stocked
8	W715-1157	Andiron (X2)	
9	W090-0329	Right Side Standard Brick Panel (NZ5TBK)	
10	W090-0324	Top, Center Standard Brick Panel (NZ5TBK)	
11	W090-0325	Bottom Center Standard Brick Panel (NZ5TBK)	
12	W090-0327	Left Side Standard Brick Panel (NZ5TBK)	
13	W090-0337	Left Side Panel Smooth (NZ5SBK)	
14	W090-0332	Top, Center Smooth Panel (NZ5SBK)	
15	W090-0333	Bottom, Center Smooth Panel (NZ5SBK)	
16	W090-0335	Right Side Smooth Panel (NZ5SBK)	
17	W090-0322	Bottom, Left Side Smooth Panel	
18	W090-0323	Bottom, Right Side Smooth Panel	

# 10.0 troubleshooting

symptom	problem	test solution
Smoke enters the room during start-up	Damper in closed position.	Open damper. See "operation" section.
	Cold air blockage in chimney.	Burn a piece of newspaper to establish a draft.
	Negative pressure in building.	Open outside air control damper. Open a door or window.
	The outside air damper opened.	Close damper. See "operation" section.
Smoke enters the room while re-loading	Damper in closed position.	Open damper. See "operation" section.
	Insufficient draft.	Chimney height and outside conditions can negatively affect draft. In these cases, a small amount of smoke may enter the home. Adding more pipe or a draft-inducing cap may help.  Clean chimney.
	The outside air damper opened.	Close damper. See "operation" section.
Appliance smoking.	Damper in closed position.	Open damper. See "operation" section.
	Chimney cold.	Burn a piece of paper to establish a draft, fuel as necessary to establish a hot flame.
	Inadequate supply of combustion air.	Chimney height and outside conditions can negatively affect draft. In these, a small amount of smoke may enter the home. Adding more pipe or a draft-inducing cap may help.
	The outside air damper opened.	Close damper. See "operation" section.
	The smoke passage is blocked in the appliance or chimney.	Check chimney for blockage and clear, if necessary.
	The smoke flow impeded by too long of a horizontal pipe or too many bends.	Refer to "typical chimney installation" section for proper chimney bends.
	A weak draft perhaps caused by a leaky chimney, a cold outside chimney, too short a chimney, or a chimney too close to a tree or a higher roof.	Chimney height and outside conditions can negatively affect draft. In these cases, a small amount of smoke may enter the home. Adding more pipe or a draft-inducing cap may help. Refer to "typical chimney installation" section for proper chimney bends.
Glass or screen door won't stay in position.	Door slowly opens.	Add adjustment weight to door.
	Door slowly closes.	Remove adjustment weight from door.
Glass or screen door isn't level.	Corner of the door is raised when fully closed.	Refer to "door level adjustment" section.



**Napoleon** Wood Appliances are manufactured under the strict Standard of the world recognized ISO 9001 : 2015 Quality Management System.

**Napoleon** products are designed with superior components and materials assembled by trained craftsmen who take great pride in their work. The complete appliance is again thoroughly inspected by a qualified technician before packaging to ensure that you, the customer, receives the quality product that you expect from Napoleon.

## **Napoleon Wood Appliances President's Lifetime Limited Warranty**

The following materials and workmanship in your new **Napoleon** Wood Appliance are warranted against defects for as long as you own the appliance. For pellet appliances this covers: the pellet hopper, outer shell, ceramic glass (thermal breakage only) and ash drawer.\* For wood appliances this covers: combustion chamber, heat exchanger, stainless steel baffle retainer ceramic glass (thermal breakage only), gold plated parts against tarnishing, porcelainized enameled components, aluminum extrusion trims, vortex baffles, ash drawer and iron castings.\*

For pellet appliances, the combustion chamber and heat exchanger are warranted against defects for a period of 5 years.

For wood appliances equipped with a guillotine door/screen system, they are warranted against defects for a period of 5 years.

Electrical (110V) components and wearable parts are covered and **Napoleon** will provide replacement parts free of charge during the first year of the limited warranty. For pellet appliances this covers: blowers, thermal switches and burn pot.\* For wood appliances this covers: blowers, thermal switch, switches, wiring, firebrick, secondary air tubes and gasketing.\*

Labour related to warranty repair is covered free of charge during the first year, with the exception of the guillotine door/screen system which will be warranted for a period of 3 years. Repair work, however, requires the prior approval of an authorized company official. Labour costs to the account of **Napoleon** are based on a predetermined rate schedule and any repair work must be done through an authorized **Napoleon** dealer.

For appliances that include firebricks and baffles, they should routinely be removed by the operator as part of the regular service and therefore, any warranty replacement of these parts does not qualify for any labour allowances.

\* Construction of models vary. Warranty applies only to components included with your specific appliance.

## **Conditions and Limitations**

**Napoleon** warrants its products against manufacturing defects to the original purchaser only. Registering your warranty is not necessary. Simply provide your proof of purchase along with the model and serial number to make a warranty claim. Provided that the purchase was made through an authorized **Napoleon** dealer, your appliance is subject to the following conditions and limitations:

Warranty coverage begins on the date of original installation. This factory warranty is non-transferable and may not be extended whatsoever by any of our representatives. The wood appliance must be installed by a qualified and authorized installer, service agency or supplier. Installation must be done in accordance with the installation instructions included with the product and all local and national building and fire codes. This limited warranty does not cover damages caused by misuse, lack of maintenance, accident, alterations, abuse or neglect. Operating the appliance on high for extended periods of time, is neglect. Parts installed from other manufacturers will nullify this warranty.

This limited warranty further does not cover any scratches, dents, corrosion or discoloring caused by excessive heat, abrasive and chemical cleaners nor chipping on porcelain enamel parts, nor any venting components used in the installation of the appliance. In the first year only, this warranty extends to the repair or replacement of warranted parts which are defective in material or workmanship provided that the product has been operated in accordance with the operation instructions and under normal conditions. After the first year, with respect to the President's Limited Lifetime Warranty, **Napoleon** may, at its discretion, fully discharge all obligations with respect to this warranty by refunding to the original warranted purchaser the wholesale price of any warranted but defective parts. After the first year, **Napoleon** will not be responsible for installation, labour or any other costs or expenses related to the reinstallation of a warranted part, and such expenses are not covered by this warranty. Notwithstanding any provisions contained in the President's Limited Lifetime Warranty, **Napoleon's** responsibility under this warranty is defined as above and it shall not, in any event, extend to any incidental, consequential or indirect damages. This warranty defines the obligations and liability of **Napoleon** with respect to the **Napoleon** wood appliance and any other warranties expressed or implied with respect to this product, its components or accessories are excluded. **Napoleon** neither assumes, nor authorizes any third party to assume, on its behalf, any other liabilities with respect to the sale of this product. **Napoleon** will not be responsible for: over-firing, downdrafts, spillage caused by environmental conditions such as rooftops, buildings, nearby trees, hills, mountains, inadequate vents or ventilation, excessive venting configurations, insufficient makeup air, or negative air pressures which may or may not be caused by mechanical systems such as exhaust blowers, furnaces, clothes dryers, etc.

Any damages to appliance, combustion chamber, heat exchanger, brass trim or other component due to water, weather damage, long periods of dampness, condensation, damaging chemicals or cleaners will not be the responsibility of **Napoleon**. Regular cleaning of the fine ash generated during the operation of this appliance is a necessary part of maintaining your wood appliance. Failure of any components, which is attributed to poor maintenance, is not warrantable and will not be covered by this policy. **Napoleon** reserves the right to have its representative inspect any product or part thereof prior to honouring any warranty claim. All parts replaced under the President's Limited Lifetime Warranty Policy are subject to a single claim. During the first 10 years **Napoleon** will replace or repair the defective parts covered by the lifetime warranty at our discretion free of charge. From 10 years to life, **Napoleon** will provide replacement parts at 50% of the current retail price. All parts replaced under the warranty will be covered for a period of 90 days from the date of their installation. The manufacturer may require that defective parts or products be returned or that digital pictures be provided to support the claim. Returned products are to be shipped prepaid to the manufacturer for investigation. If a product is found to be defective, the manufacturer will repair or replace such defect. Before shipping your appliance or defective components, your dealer must obtain an authorization number. Any merchandise shipped without authorization will be refused and returned to sender. Shipping costs are not covered under this warranty. Additional service fees may apply if you are seeking warranty service from a dealer. Warranty labour allowance is only for the replacement of the warranted part. Travel, diagnostic tests, shipping and other related charges are not covered by this warranty and other related charges are not covered by this warranty.

Any damages to appliance, combustion chamber, heat exchanger, brass trim or other component due to water, weather damage, long periods of dampness, condensation, damaging chemicals or cleaners will not be the responsibility of **Napoleon**. Regular cleaning of the fine ash generated during the operation of this appliance is a necessary part of maintaining your wood appliance. Failure of any components, which is attributed to poor maintenance, is not warrantable and will not be covered by this policy. **Napoleon** reserves the right to have its representative inspect any product or part thereof prior to honouring any warranty claim. All parts replaced under the President's Limited Lifetime Warranty Policy are subject to a single claim. During the first 10 years **Napoleon** will replace or repair the defective parts covered by the lifetime warranty at our discretion free of charge. From 10 years to life, **Napoleon** will provide replacement parts at 50% of the current retail price. All parts replaced under the warranty will be covered for a period of 90 days from the date of their installation. The manufacturer may require that defective parts or products be returned or that digital pictures be provided to support the claim. Returned products are to be shipped prepaid to the manufacturer for investigation. If a product is found to be defective, the manufacturer will repair or replace such defect. Before shipping your appliance or defective components, your dealer must obtain an authorization number. Any merchandise shipped without authorization will be refused and returned to sender. Shipping costs are not covered under this warranty. Additional service fees may apply if you are seeking warranty service from a dealer. Warranty labour allowance is only for the replacement of the warranted part. Travel, diagnostic tests, shipping and other related charges are not covered by this warranty and other related charges are not covered by this warranty.

Any damages to appliance, combustion chamber, heat exchanger, brass trim or other component due to water, weather damage, long periods of dampness, condensation, damaging chemicals or cleaners will not be the responsibility of **Napoleon**. Regular cleaning of the fine ash generated during the operation of this appliance is a necessary part of maintaining your wood appliance. Failure of any components, which is attributed to poor maintenance, is not warrantable and will not be covered by this policy. **Napoleon** reserves the right to have its representative inspect any product or part thereof prior to honouring any warranty claim. All parts replaced under the President's Limited Lifetime Warranty Policy are subject to a single claim. During the first 10 years **Napoleon** will replace or repair the defective parts covered by the lifetime warranty at our discretion free of charge. From 10 years to life, **Napoleon** will provide replacement parts at 50% of the current retail price. All parts replaced under the warranty will be covered for a period of 90 days from the date of their installation. The manufacturer may require that defective parts or products be returned or that digital pictures be provided to support the claim. Returned products are to be shipped prepaid to the manufacturer for investigation. If a product is found to be defective, the manufacturer will repair or replace such defect. Before shipping your appliance or defective components, your dealer must obtain an authorization number. Any merchandise shipped without authorization will be refused and returned to sender. Shipping costs are not covered under this warranty. Additional service fees may apply if you are seeking warranty service from a dealer. Warranty labour allowance is only for the replacement of the warranted part. Travel, diagnostic tests, shipping and other related charges are not covered by this warranty and other related charges are not covered by this warranty.

Any damages to appliance, combustion chamber, heat exchanger, brass trim or other component due to water, weather damage, long periods of dampness, condensation, damaging chemicals or cleaners will not be the responsibility of **Napoleon**. Regular cleaning of the fine ash generated during the operation of this appliance is a necessary part of maintaining your wood appliance. Failure of any components, which is attributed to poor maintenance, is not warrantable and will not be covered by this policy. **Napoleon** reserves the right to have its representative inspect any product or part thereof prior to honouring any warranty claim. All parts replaced under the President's Limited Lifetime Warranty Policy are subject to a single claim. During the first 10 years **Napoleon** will replace or repair the defective parts covered by the lifetime warranty at our discretion free of charge. From 10 years to life, **Napoleon** will provide replacement parts at 50% of the current retail price. All parts replaced under the warranty will be covered for a period of 90 days from the date of their installation. The manufacturer may require that defective parts or products be returned or that digital pictures be provided to support the claim. Returned products are to be shipped prepaid to the manufacturer for investigation. If a product is found to be defective, the manufacturer will repair or replace such defect. Before shipping your appliance or defective components, your dealer must obtain an authorization number. Any merchandise shipped without authorization will be refused and returned to sender. Shipping costs are not covered under this warranty. Additional service fees may apply if you are seeking warranty service from a dealer. Warranty labour allowance is only for the replacement of the warranted part. Travel, diagnostic tests, shipping and other related charges are not covered by this warranty and other related charges are not covered by this warranty.

Any damages to appliance, combustion chamber, heat exchanger, brass trim or other component due to water, weather damage, long periods of dampness, condensation, damaging chemicals or cleaners will not be the responsibility of **Napoleon**. Regular cleaning of the fine ash generated during the operation of this appliance is a necessary part of maintaining your wood appliance. Failure of any components, which is attributed to poor maintenance, is not warrantable and will not be covered by this policy. **Napoleon** reserves the right to have its representative inspect any product or part thereof prior to honouring any warranty claim. All parts replaced under the President's Limited Lifetime Warranty Policy are subject to a single claim. During the first 10 years **Napoleon** will replace or repair the defective parts covered by the lifetime warranty at our discretion free of charge. From 10 years to life, **Napoleon** will provide replacement parts at 50% of the current retail price. All parts replaced under the warranty will be covered for a period of 90 days from the date of their installation. The manufacturer may require that defective parts or products be returned or that digital pictures be provided to support the claim. Returned products are to be shipped prepaid to the manufacturer for investigation. If a product is found to be defective, the manufacturer will repair or replace such defect. Before shipping your appliance or defective components, your dealer must obtain an authorization number. Any merchandise shipped without authorization will be refused and returned to sender. Shipping costs are not covered under this warranty. Additional service fees may apply if you are seeking warranty service from a dealer. Warranty labour allowance is only for the replacement of the warranted part. Travel, diagnostic tests, shipping and other related charges are not covered by this warranty and other related charges are not covered by this warranty.

All specifications and designed are subject to change without prior notice due to on-going product improvements. **Napoleon** is a registered trademark of Wolf Steel Ltd.

# NAPOLEON CELEBRATING OVER 40 YEARS OF HOME COMFORT PRODUCTS



7200, Route Transcanadienne, Montréal, Québec H4T 1A3  
24 Napoleon Road, Barrie, Ontario, Canada L4M 0G8  
214 Bayview Drive, Barrie, Ontario, Canada L4N 4Y8  
103 Miller Drive, Crittenden, Kentucky, USA 41030

Phone: 1-866-820-8686  
[napoleonproducts.com](http://napoleonproducts.com)





# MANUEL D'INSTALLATION

## INSTALLATEUR:

Laissez ce manuel avec l'appareil.

## PROPRIÉTAIRE:

Conservez ce manuel pour consultation ultérieure.

## CONSIGNES DE SÉCURITÉ

### **AVERTISSEMENT**

Si ces instructions ne sont pas suivies à la lettre, un incendie ou une explosion pourraient s'ensuivre, causant des dommages matériels, des blessures corporelles ou des pertes de vie. Veuillez lire le manuel en entier avant d'installer et d'utiliser cet appareil. Cet appareil n'a pas été testé avec un ensemble de bûches à gaz non ventilées. Afin de réduire le risque d'incendie ou de blessure, n'installez pas d'ensemble de bûches à gaz non ventilées dans cet appareil.

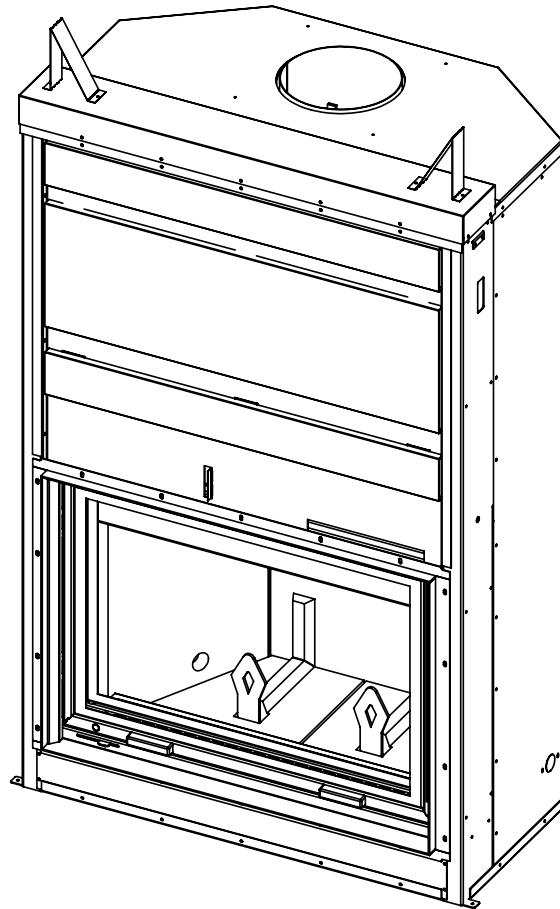
- Cet appareil peut devenir très chaud lorsqu'il fonctionne.
- Les matériaux combustibles, tels que le bois de chauffage, les vêtements mouillés, etc. placés trop près de l'appareil pourraient prendre feu.
- Il faut empêcher les enfants et les animaux de toucher l'appareil quand il est chaud.
- La cheminée doit être en bon état et ne pas être fêlée. Avant d'installer cet appareil, contactez le service du bâtiment ou le service d'incendie de votre municipalité et suivez leurs directives.
- Faites fonctionner l'appareil seulement avec la porte bien fermée.
- Brûlez le bois en arrière du pare-bûches, directement sur les briques réfractaires.
- N'utilisez pas un chenet et n'essayez pas de surélever le feu de quelque manière.
- Cet appareil a été conçu pour brûler seulement le bois naturel. Vous obtenez une meilleure efficacité et des émissions plus basses avec du bois dur séché à l'air qu'avec du bois résineux ou vert, ou du bois dur fraîchement coupé.
- N'allumez pas votre feu à l'aide de produits chimiques ou de liquides, tels que l'essence, de l'huile à moteur, etc.
- Ne brûlez pas de déchets, des résidus de tonte de pelouse, de caoutchouc, des produits pétroliers résiduels, de la peinture ou du diluant / de solvants, de plastique, des matériaux contenant de l'amiante, des débris de construction, des traverses de chemin de fer ou de bois traités, du fumier ou des restes d'animaux, du bois de grève imprégné de sel ou des matériaux salés, du bois non séché, de charbon, de papiers de couleur, de cartons, des contreplaqués ou des panneaux de particules. Brûler ces matériaux pourrait entraîner la libération de fumées toxiques ou rendre l'appareil inefficace et générer de la fumée.
- Ne laissez pas l'appareil chauffer au point où des parties deviennent rougeoyantes.

### **Poêles à bois SEULEMENT**

- Au moins 14 pouces carrés (90,3 centimètre carrés) d'air extérieur doit être admis dans le pièce ou directement dans l'appareil par un conduit de 4 pouces (102mm) de diamètre.
- GARDEZ LA TEMPÉRATURE SUR LE DESSUS DE L'APPAREIL SOUS 700°F (371°C). Toute tentative d'atteindre débits maximaux de chaleur, pourrait provoquer la distorsion de l'acier et causer des dommages.

## HIGH COUNTRY™ 5000

(NZ5000-T illustré)



### **POUR L'UTILISATION INTÉRIEUR SEULEMENT**

CET APPAREIL A ÉTÉ TESTÉ ET HOMOLOGUÉ PAR INTERTEK TESTING SERVICES LTÉ. SELON LES NORMES : POUR LES PRÉFABRIQUÉS. LE NZ5000 EST UN EPA FAIBLE MASSE BOIS CHEMINÉE CONFORMÉ SELON LA PROGRAMME VOLONTAIRE PHASE 2 D'ÉMISSION NIVEAU QUALIFIÉ MODÈLE.



Numéro de Projet:  
0415WF013S  
0415WF013E

**PLACER L'ÉTIQUETTE BARCODE SUR LE  
MANUEL DU PROPRIÉTAIRE**

Wolf Steel Ltd., 24 Napoleon Rd., Barrie, ON, L4M 0G8 Canada / 103 Miller Drive, Crittenden, Kentucky, USA, 41030  
Téléphone 1 (866) 820-8686 • www.napoleonfoyers.com • hearth@napoleonproducts.com

# consignes de sécurité

FR

## **AVERTISSEMENT**

- Cet appareil est chaud lorsqu'il fonctionne et peut causer de graves brûlures en cas de contact.
- Toute modification apportée à cet appareil ou aux contrôles peut être dangereux et est interdit.
- Ne faites pas fonctionner l'appareil avant d'avoir lu et compris les instructions d'opération. Omettre d'utiliser l'appareil selon les instructions d'opération pourrait causer un incendie ou des blessures.
- Avant d'installer cet appareil, contactez les autorités locales du bâtiment ou le service des incendies et suivez leurs directives.
- Cet appareil doit être installé par un installateur qualifié. N'essayez jamais de réparer ou de remplacer les pièces de cet appareil à moins que des instructions soient fournies à cet effet dans ce manuel. Tout autre travail devrait être effectué par un technicien qualifié.
- Risque de brûlures. L'appareil doit être éteint et refroidi avant d'effectuer un entretien.
- Ne faites pas fonctionner tant que tous les composants ne sont pas complètement installés. N'installez pas de composants endommagés ou incomplets ni des composants substitués.
- Ne laissez pas l'appareil chauffer au point où des parties deviennent rougeoyantes.
- Risque de coupures et d'éraflures. Portez des gants protecteurs et des lunettes de sécurité lors de l'installation. Les bordures des pièces de métal peuvent être coupantes.
- Cet appareil doit être raccordé électriquement par un électricien qualifié conformément aux codes locaux. En l'absence de codes locaux, utilisez la version courante du code canadien de l'électricité CSA C22.1 au Canada ou le national electrical code ANSI/NFPA 70 aux États-Unis.
- Brûler votre appareil avec la porte de décharge de cendre ouvert crée un risque d'incendie qui peuvent entraîner une décoloration de la porte, les dommages internes à l'appareil ou un feu de cheminée.
- Cet appareil ne doit pas être raccordé au conduit d'une cheminée desservant un autre appareil.
- Les enfants et les adultes devraient être informés des dangers que posent les températures de surface élevées et se tenir à distance afin d'éviter des brûlures ou que leurs vêtements ne s'enflamment.
- Surveillez attentivement les jeunes enfants lorsqu'ils sont dans la même pièce que l'appareil. Les jeunes enfants et autres sont plus à risque de contacts accidentels causant des brûlures. Une barrière physique est conseillée lorsque qu'il y a des individus à risque dans la maison. Pour empêcher l'accès à un appareil ou un poêle, installez une barrière de sécurité pour garder les jeunes enfants et autres individus à risque hors de la pièce et éloignés des surfaces chaudes. Les vêtements et autres matériaux combustibles ne doivent pas être posés sur le foyer ou à proximité.
- En raison des températures élevées, le foyer devrait être placé loin des endroits passants et loin des meubles et des rideaux. Les objets placés devant l'appareil doivent être gardés à une distance d'au moins 4 pieds (1,2m) de l'avant de l'appareil.
- En raison des températures élevées, l'appareil devrait être placé loin des endroits passants et loin des meubles et des rideaux.
- Assurez-vous de disposer de mesures de sécurité adéquates pour empêcher les jeunes enfants de toucher aux surfaces chaudes.
- Même une fois que le foyer est éteint, la vitre et/ou le pare-étincelles demeureront chauds pendant un temps prolongé.
- Consultez votre détaillant local de foyer pour connaître les grillages de sécurité et les écrans offerts pour protéger les enfants des surfaces chaudes. Ces grillages de sécurité et ces écrans doivent être fixés au plancher.
- Les grillages de sécurité ou écrans enlevés pour faire l'entretien devront être remis en place avant d'utiliser l'appareil.
- Cet appareil ne devra être modifié en aucun cas.
- Cet appareil ne doit pas être raccordé au conduit d'une cheminée desservant un autre appareil de chauffage à combustible solide.
- Ne pas opérer l'appareil lorsque la porte vitrée est enlevée, fissurée ou brisée. Le remplacement de la vitre devra être effectué par un technicien de service certifié ou qualifié.
- Ne frappez pas et ne claquez pas la porte vitrée de l'appareil.
- Seulement les portes/façades certifiées pour cet appareil peuvent être utilisées avec cet appareil.



## AVERTISSEMENT

- Gardez les matériaux d'emballage hors de la portée des enfants et mettez ces matériaux au rebut de façon sécuritaire. Comme tous les emballages de plastique, ces matériaux ne sont pas des jouets et doivent demeurer hors de la portée des enfants et des bébés.
- Si cet appareil n'est pas installé de façon adéquate, un incendie pourrait s'ensuivre. N'exposez pas l'appareil aux éléments (p. ex. la pluie, etc.) et gardez-le au sec en tout temps. De l'isolant humide produira une odeur lorsque l'appareil est utilisé.
- La cheminée doit être en bon état et ne pas être fissurée. Nettoyez la cheminée au moins deux fois par année et lorsque nécessaire.
- N'allumez pas votre feu à l'aide de produits chimiques ou de liquides tels que de l'essence, de l'huile à moteur, etc.
- Votre appareil nécessite un entretien et un nettoyage périodiques. Négliger cet entretien peut causer des refoulements de fumée dans la maison.
- Les cendres doivent être mises dans un contenant métallique avec un couvercle hermétique et déposé sur une surface incombustible suffisamment éloigné de la maison ou de toute structure jusqu'à ce qu'elles soient complètement refroidies.
- Assurez-vous de respecter les dégagements aux matériaux combustibles lorsque vous installez un manteau ou des tablettes au-dessus de l'appareil. Les températures élevées sur le mur ou de l'air au-dessus de l'appareil peuvent faire fondre, décolorer ou endommager les décorations, les téléviseurs ou autres composants électroniques.

### **Pour les appareils de bois:**

- Vous obtenez une meilleure efficacité et des émissions plus basses avec du bois dur séché à l'air qu'avec du bois résineux ou vert, ou des bois durs fraîchement coupés. Brûler du bois vert ou humide peut causer des accumulations excessives de crésote. Lorsqu'elle est allumée, cette dernière peut causer un feu de cheminée et un incendie grave pourrait s'ensuivre.
- Cet appareil a été conçu pour brûler du bois naturel uniquement. Ne brûlez pas de déchets, des résidus de tonte de pelouse, de caoutchouc, des produits pétroliers résiduels, de la peinture ou du diluant / de solvants, de plastique, des matériaux contenant de l'amiante, des débris de construction, des traverses de chemin de fer ou de bois traités, du fumier ou des restes d'animaux, du bois de grève imprégné de sel ou des matériaux salés, du bois non séché, de charbon, de papiers de couleur, emballage-cadeau, de cartons, des contreplaqués ou des panneaux de particules. La combustion de ces matériaux peut entraîner la libération de fumées toxiques ou rendre l'appareil inefficace et causer de la fumée.
- Brûlez le bois directement sur les briques réfractaires. N'utilisez pas un chenet et n'essayez pas de surélever le feu de quelque manière.
- Ne rangez pas de bois à l'intérieur des dégagements prescrits ou à l'intérieur de la zone nécessaire pour procéder au ravitaillement ou à l'enlèvement des cendres.

#### **AVERTISSEMENT - PROPOSITION 65 DE LA CALIFORNIE :**

L'utilisation de cet appareil peut produire de la fumée qui contient des substances chimiques qui, selon l'État de Californie, causeraient le cancer, des malformations congénitales ou autres dangers pour la reproduction.

N'utilisez pas de compromis de fortune lors de l'installation.  
N'obstruez pas, entièrement ou partiellement, la grille et les ouvertures de l'appareil! N'ajoutez pas de hotte.

Faire fonctionner cet appareil avec la porte ouverte ou entrouverte crée un risque d'incendie de cheminée ou du domicile.

Tous les raccordements d'évacuation doivent se conformer aux instructions d'installation du fabricant de la cheminée.  
Les dégagements mentionnés dans ce manuel correspondent aux exigences minimales.

Votre appareil doit être installé selon les codes du bâtiment locaux et nationaux et selon les normes des Cheminées et Foyers, Événements et Appareils à combustion solide NFPA #211. Consultez l'autorité compétente (comme le service municipal du bâtiment, le service des incendies, le bureau de prévention des incendies, etc.) afin de déterminer si vous avez besoin d'un permis d'installation. Si vous avez des doutes au sujet de l'installation appropriée pour votre situation particulière, contactez votre détaillant ou l'autorité locale des incendies ou du bâtiment. Le fabricant ne garantit pas que cet appareil et ses composants optionnels pourront chauffer votre maison au complet.

Les bruits causés par l'expansion et la contraction lors des cycles de chauffage et de refroidissement sont tout à fait normaux et il faut s'y attendre.

L'appareil doit être fixé au plancher. Pour ce faire, utilisez les supports servant à ancrer l'appareil sur la palette.

### **LA MODÈLE NZ5000 EST CERTIFIÉ EPA - QUALIFIÉ.**



Nous suggérons que nos poêles à bois soient installés et entretenus par des professionnels certifiés aux États-Unis par le National Fireplace Institute® (NFI) et au Canada par le Wood Energy Technical Training (WETT).



# table des matières

FR

<b>1.0</b>	<b>dimensions</b>	<b>45</b>
<b>2.0</b>	<b>information générale</b>	<b>46</b>
2.1	instructions générale	46
2.2	caractéristiques	47
2.3	cet appareil	47
2.4	liste des articles	47
2.5	liste des matériels	47
2.6	information sur la plaque d'homologation	48
<b>3.0</b>	<b>planification de l'installation</b>	<b>49</b>
3.1	dégagement et placement	49
3.2	ouvertures de ventilation	50
3.3	air comburant extérieur	50
3.3.1	l'opération d'air combustion extérieur	51
3.4	pare-braises et base de protection	52
3.5	exemples de bases de protection	53
3.6	opération de registre	54
<b>4.0</b>	<b>installation</b>	<b>55</b>
4.1	cheminée	55
4.2	installation typique de la cheminée	56
4.3	ajout de sections de cheminée	57
4.4	installation de la cheminée avec déviation	58
4.5	installation du solin et du collet de solin	59
4.6	installation d'une cheminée refroidie à l'air	59
4.7	utilisation avec les ensembles de bûches à gaz (ventilés et non ventilés)	60
<b>5.0</b>	<b>ossature</b>	<b>61</b>
5.1	matériaux de finition	62
5.2	dégagements minimaux aux matériaux combustibles	63
5.3	dégagements minimaux aux enceintes	63
5.4	dégagements minimaux de la tablette combustible	64
<b>6.0</b>	<b>opération et ajustement</b>	<b>65</b>
6.1	opération de la porte et l'écran	65
6.2	réglage du niveau de la porte	66
6.3	réglage des masses d'équilibrage	68
<b>7.0</b>	<b>installation et remplacement</b>	<b>69</b>
7.1	installation de la brique réfractaire	69
7.2	installation des déflecteurs	70
7.3	vue d'ensemble des panneaux d'isolation de la chambre à fumée	71
7.4	installation des panneaux d'isolation de la chambre à fumée	72
7.5	remplacement de verre porte	73
7.6	remplacement de l'écran	74
<b>8.0</b>	<b>rechanges</b>	<b>75</b>
8.1	vue d'ensemble	76
<b>9.0</b>	<b>accessoires</b>	<b>77</b>
<b>10.0</b>	<b>guide de dépannage</b>	<b>78</b>
<b>11.0</b>	<b>garantie</b>	<b>79</b>



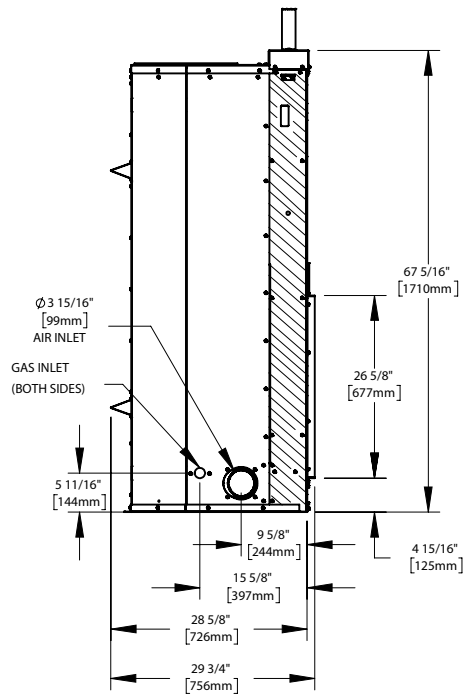
L'icône du caméra indique que les vidéos sont disponibles comme une référence supplémentaire, visitez <http://mynapoleon.napoleonproducts.com/download/index/44/1>

## note:

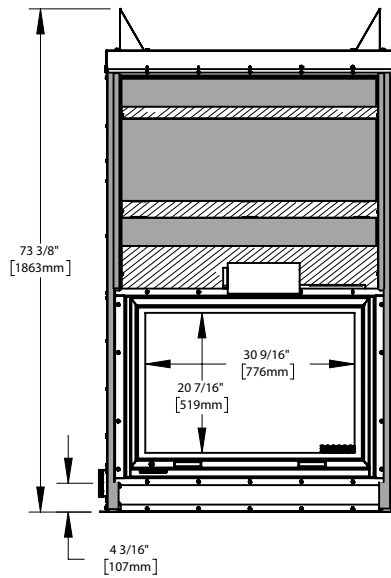
Les changements autres que de nature éditoriale sont dénotés par une ligne verticale dans la marge.

# 1.0 dimensions

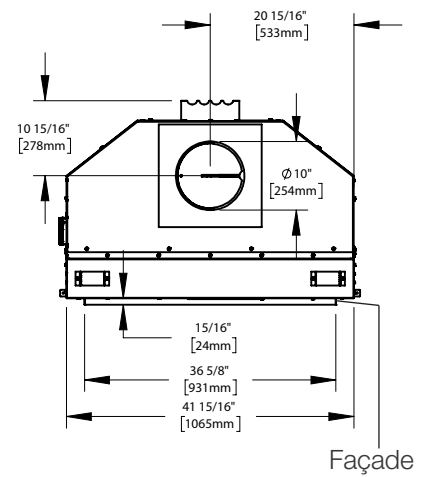
VUE DU CÔTÉ GAUCHE





VUE FRONTALE



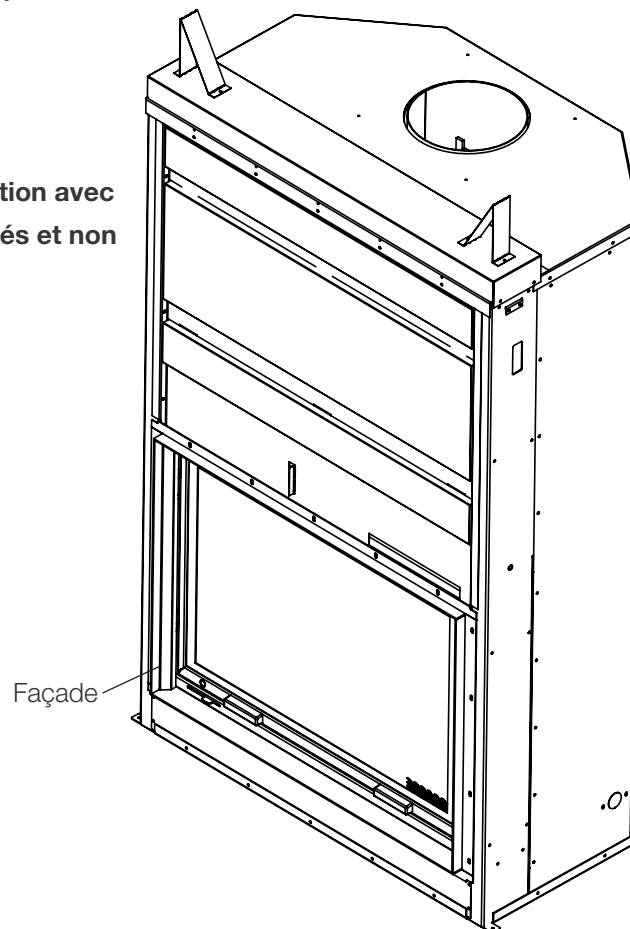
VUE DE DESSUS



 Les vis ne peut pas pénétrer de plus de  $1/2''$  dans cette zone

 Aucun vis dans ce zone

\* Arrivée de gaz, voir la section « utilisation avec les ensembles de bûches de gaz (ventilés et non ventilés) ».



## 2.0 information générale

FR

### 2.1 instructions générale

#### **! AVERTISSEMENT**

- Avant d'installer cet appareil, contactez les autorités locale du bâtiment ou le service des incendies et suivez leurs directives.
- Cet appareil doit être installé par un installateur qualifié. Suivez les instructions d'installation. Ne pas utiliser sans installer tous les composants.
- Si cet appareil n'est pas installé de façon adéquate, un incendie pourrait s'ensuivre.
- N'exposez pas l'appareil aux éléments (par ex. la pluie, etc.) et gardez-le sec en tout temps. Des matériaux isolants mouillés dégageront une odeur lors du fonctionnement de l'appareil.
- Cet appareil est chaud lorsqu'il fonctionne et il peut causer de graves brûlures en cas de contact. Il faut empêcher les enfants et les animaux de toucher l'appareil quand il est chaud. Contactez votre détaillant local pour connaître les grillages de sécurité disponibles pour ce produit.
- Les matériaux combustibles tels que le bois de chauffage, les vêtements mouillés, etc. Placés trop près de l'appareil pourraient prendre feu. Less objets placés devant l'appareil doivent être gardés à une distance d'au moins 48" (121,9cm) de la face vitrée de l'appareil.
- L'installation électrique doit être effectuée par un électricien qualifié, en conformité avec les codes locaux et avec la version courante du National Electric Code ANSI/NF N°. 70 (aux États-Unis), ou avec le code Canadien d'Electricité CSA C22.1 (en Canada).
- Cet appareil et ses composants sont conçus pour être installés et fonctionner comme un système. Toute altération ou substitution d'éléments dans ce système, à moins d'être autorisée par ces instructions d'installation, annulera l'homologation ETL et pourrait annuler la garantie du produit. Cela peut aussi créer une installation dangereuse. Lisez bien toutes les instructions avant de commencer votre installation et suivez-les à la lettre tout au long de l'installation.

#### remarque :

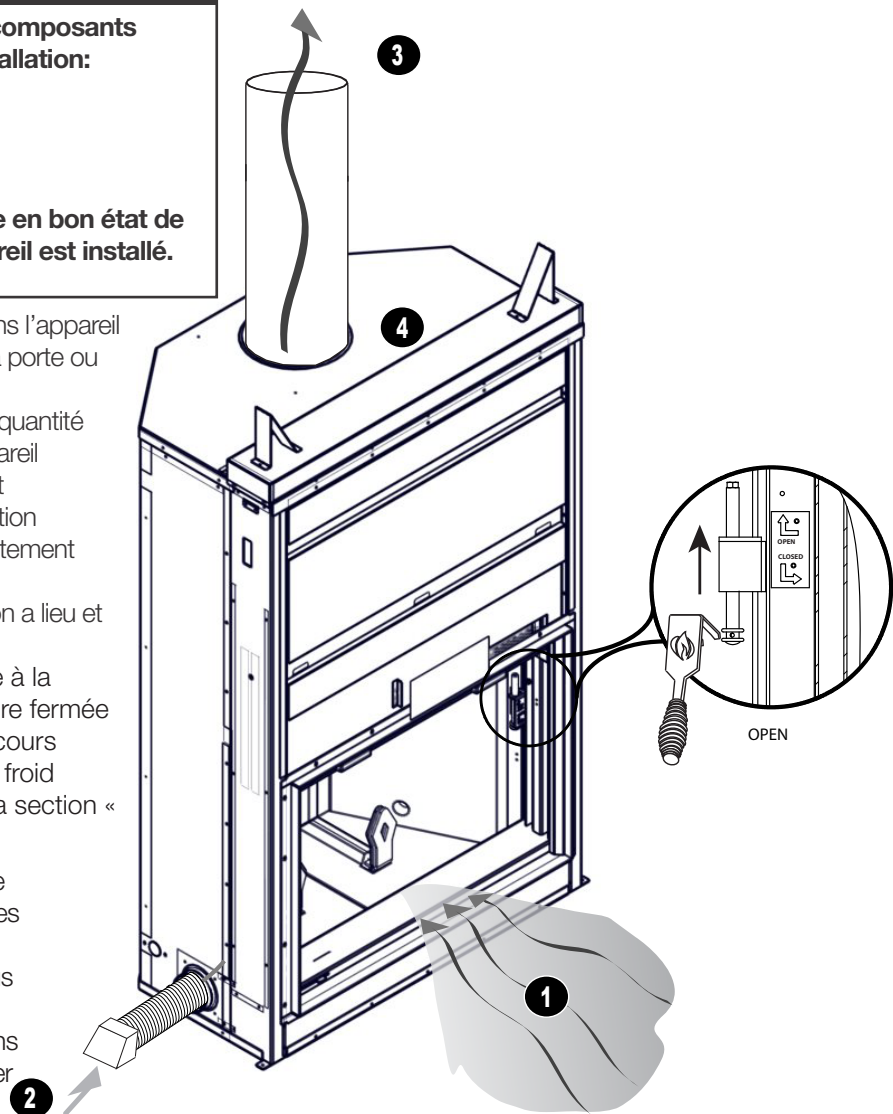
**Il est recommandé de tester les composants énumérés ci-dessous avant l'installation:**

- **Portes**
- **Masse d'équilibrage**
- **Louvre pour l'admission d'air**
- **Registre**

**Tous les composants doivent être en bon état de fonctionnement avant que l'appareil est installé.**

1. L'air comburant est acheminé dans l'appareil en entrant par les prises d'air et la porte ou l'écran de l'appareil.
2. Un clapet d'air extérieur régule la quantité d'air extérieur introduit dans l'appareil en complément de l'air intérieur et peut seulement être réglé en position complètement fermée ou complètement ouverte.
3. À l'intérieur du foyer, la combustion a lieu et sort par la cheminée.
4. L'appareil comprend un registre à la base de la cheminée qui doit être fermée lorsque l'appareil n'est pas en cours d'utilisation pour éviter que l'air froid d'entrant dans la maison, voir la section « opération du registre » section.

Il est recommandé de tenir compte de l'emplacement des fenêtres, des portes et de la circulation dans la pièce où sera installé l'appareil. Si possible, vous devriez choisir un emplacement où la cheminée passera dans la maison sans que vous ayez à découper un plancher ou une solive de toit.



## 2.2 caractéristiques

- Selon la méthode de chargement et la taille des bûches, la longueur maximale des bûches est de 24 po (61 cm).
- Grande portes vitrées pour un maximum de visibilité.
- Revêtement de briques réfractaires qui protège la chambre de combustion.
- Clapet d'air extérieure obturable.
- Registre du conduit à fermeture.
- Poids à l'expédition, sans briques réfractaires, 552lbs (250kg).
- Poids net, avec briques réfractaires, 745 lb (338 kg).
- Poids à l'expédition des briques réfractaires, 225 lb (102 kg).
- Diamètre de buse de sortie 10" (254mm).
- Charge de carburant maximum 30lbs (13,6kg).
- Hauteur de carburant maximum, à mi-chemin ou en haut de la première brique réfractaire.

## 2.3 cet appareil

Cet appareil est un produit décorative et n'est pas conçu comme une source primaire du chaleur.

Capacité de chauffage approximative jusqu'à 1 000 pieds carrés (92 mètres carrés).

## ! AVERTISSEMENT

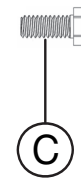
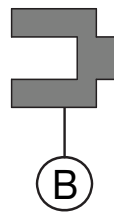
- Ne laissez pas l'appareil chauffé au point où des parties deviennent rougeoyantes.

## 2.4 liste des articles

### Livré avec l'appareil:

Manuel d'instructions	Outil pour porte	Quincaillerie	Outil du registre
Pare-braises	Gants	Défecteurs (x5)	
Bande de braises	Bornes de chenets	Masses d'équilibrage (x6)	

## 2.5 liste des matériels



Référence	No. de pièce	Description	Quantité
<b>A</b>	W570-0176	#10-24 x 1/2" Vis à métaux	10
<b>B</b>	W615-0159	Cale de nivellement de la porte	6
<b>C</b>	W570-0058	1/4" - 20 x 5/8" Vis à métaux	4

# information générale

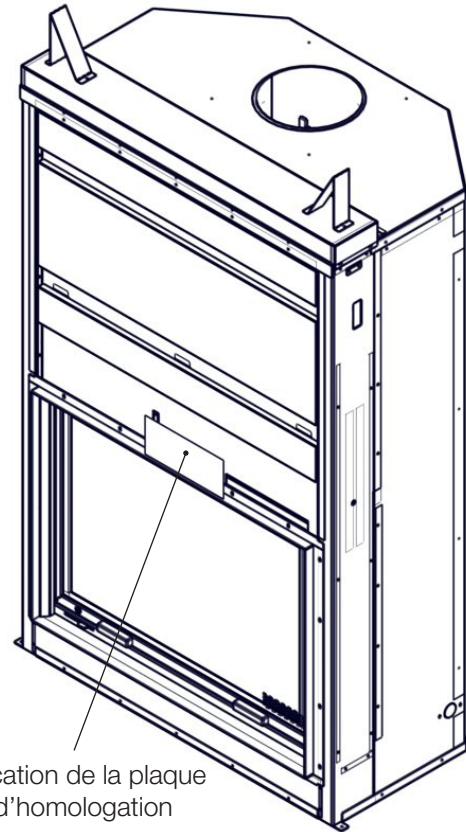
FR

## 2.6 information sur la plaque d'homologation

La plaque d'homologation est situé au-dessus de la porte sur la droite.

Cette illustration est à titre de référence seulement. Consultez la plaque d'homologation sur l'appareil pour obtenir l'information précise.

CERTIFIED TO / CERTIFIÉ SELON: ULC-S610-M87 (R2016), UL 127-2011 (R2016)	
 Tested & Listed in Oregon USA OTH Test Laboratories, Inc.	■ 9700539 (WSL) ■ 4001657 (NGZ) ■ 4001658 (NAC) ■ 4001659 (WUSA)
 PROJECT NO. 0415WF013S / 0415WF013E / PROJET N°. 0415WF013S / 0415WF013E MODEL NO. NZ5000 / N° DE MODÈLE NZ5000	<b>NZ5000</b> NZ5000 AVERAGE EMISSION / EMISSION MOYENNE 4.6 g/kg
LISTED FACTORY BUILT FIREPLACE MODEL, PHASE 2 EMISSION LEVEL QUALIFIED. / FOYER PRÉFABRIQUÉ HOMOLOGUÉ. LA PHASE 2 NIVEAU QUALIFIÉ D'ÉMISSION	
MODEL CERTIFICATION DATE / DATE DE CERTIFICATION DU MODÈLE: 04/23/17	
INSTALL AND USE ONLY IN ACCORDANCE WITH WOLF STEEL LTD. INSTALLATION INSTRUCTIONS AND OWNER'S MANUAL. CONTACT LOCAL BUILDING OR FIRE OFFICIALS ABOUT RESTRICTIONS AND INSTALLATION INSPECTION IN YOUR AREA. DO NOT CONNECT THIS UNIT TO A CHIMNEY SERVING ANOTHER APPLIANCE.	
POUR INSTALLATION ET UTILISATION CONFORMÉMENT AUX MANUEL WOLF STEEL L.TÉE. RENSEIGNEZ-VOUS AUPRÈS DES AUTORITÉS LOCALES DU BÂTIMENT OU DU SERVICE DES INCENDIES AU SUJET DES RESTRICTIONS ET DES INSPECTIONS D'INSTALLATION DANS VOTRE RÉGION. NE PAS RACCORDER À LA CHEMINÉE D'UN AUTRE APPAREIL.	
Use Solid wood, processed solid fuel fire logs (or other specified type) fuel only. / Utilisez du bois massif, transformés solides bûches de combustible (ou un autre type spécifié) combustible seulement.	
QUALIFIED EPA PHASE 2 MODEL UNTIL JULY 2020 / QUALIFIÉ EPA PHASE 2 MODÈLE JUSQU'À JUILLET 2020.	<b>WARNING: / AVERTISSEMENT:</b>
<input type="checkbox"/> 2017 <input type="checkbox"/> 2018 <input type="checkbox"/> 2019 <input type="checkbox"/> 2020 <input type="checkbox"/> Jan./Jan. <input type="checkbox"/> Apr./Avr. <input type="checkbox"/> Jul./Juill. <input type="checkbox"/> Oct./Oct. <input type="checkbox"/> Feb./Fév. <input type="checkbox"/> May/Mai <input type="checkbox"/> Aug./Août. <input type="checkbox"/> Nov/Nov. <input type="checkbox"/> Mar./Mars. <input type="checkbox"/> Jun/Juin <input type="checkbox"/> Sep/Sept. <input type="checkbox"/> Dec/Déc.	• Replace ceramic glass only with ceramic glass obtained from the dealer and certified for use with this appliance. • Not for use in a Mobile Home.
WARNING: DO NOT OPERATE AN UNVENTED GAS LOG SET IN THIS APPLIANCE WITH THE CHIMNEY REMOVED. ONLY UNVENTED GAS LOG SETS CERTIFIED TO ANSI / IAS / AGA Z21.11.2 ARE TO BE INSTALLED IN THIS APPLIANCE. AVERTISSEMENT: N'UTILISER PAS UN ENSEMBLE DE BÛCHES SANS VENTILATION DANS CET APPAREIL AVEC LA CHEMINÉE ENLEVÉE. SEULEMENT LES ENSEMBLE DE BÛCHES CERTIFIÉ SELON ANSI / IAS / AGA Z21.11.2 PEUVENT ÊTRE INSTALLÉS DANS CET APPAREIL.	• Remplacer verre céramique seulement avec verre céramique obtenue auprès du concessionnaire et certifiés pour une utilisation avec cet appareil. • Ne peut être installé dans une maison mobile.
Do not use a fireplace insert or other products not specified for use with this product. / N'utiliser pas un insert de cheminée ou d'autres produits non spécifiées pour l'utilisation avec ce produit.	
<b>COMPONENTS REQUIRED FOR INSTALLATION:</b> SHIPPED WITH THE FIREPLACE: INSTALLATION MANUAL, EMBER STRIP, LIFTING HANDLE, LOG RETAINERS (ANDIRONS). NOT SHIPPED WITH THE FIREPLACE: REFRACTORY BRICKS.	
<b>CHIMNEY REQUIREMENTS (see installation manual):</b> Chimney must be certified to one of the following standards ULC-S604 and ULC S629 for Canada or UL-103HT and UL-103HT for the United States. Masonry chimney installation: Stainless steel liner must be certified to ULC S640 M91 or ULC 639 for Canada or UL 1777 for the United States. Air Cooled Chimney: Use DuraVent DuraChimney II only.	
MINIMUM CHIMNEY HEIGHT 15 ft (4.57 m) MAXIMUM CHIMNEY HEIGHT 34 ft (10.4 m) MAXIMUM OFFSET ANGLE 30° US - 45° CANADA	MAXIMUM # OF ELBOWS 4 FLUE COLLAR 10"ø MIN. CHIMNEY DIA. 8"ø
<b>COMPOSANTS REQUIS POUR L'INSTALLATION:</b> LIVRÉ AVEC LE FOYER: MANUEL D'INSTRUCTIONS, PARE-BRAISSES, POIGNÉES DE TRANSPORT, RETENUE DES BÛCHES (CHENETS). NE LIVRÉ AVEC LE FOYER: BRIQUE RÉFRACTAIRE.	
<b>EXIGENCES POUR LA CHEMINÉE (voir le manuel d'instructions)</b> La cheminée doit être certifiée selon l'une des normes suivantes: ULC-S604 et ULC S629 pour le Canada ou selon les normes UL-103 et UL-103HT pour les États-Unis. Installation de la cheminée de maçonnerie: revêtement en acier inoxydable doit être certifié à la norme ULC S640 M91 ou ULC 639 pour le Canada ou UL 1777 pour les États-Unis. Cheminée Refroidie à l'Air: Utiliser DuraVent DuraChimney II seulement. HAUTEUR MINIMALE DE LA CHEMINÉE 15 pi (4,57 m) # MAXIMAL DE COUDES: 4 HAUTEUR MAXIMALE DE LA CHEMINÉE 34 pi (10,4 m) BUSE D'ÉVACUATION: 10"ø ANGLE DE DÉVIATION MAXIMAL 30° US - 45° CANADA DIA. MIN. CHEMINÉE 8"ø	
Prevent creosote fire: Inspect chimney and chimney connector, if applicable, twice monthly and clean if necessary. Do not overfire. If exterior of unit glows red, you are overfiring. Keep furnishings and other combustible materials a considerable distance away from appliance. Type of fuel: solid wood only. Prévenir les feux de créosote: Inspectez la cheminée ou le raccord de cheminée, si applicable, deux fois par mois et nettoyez si nécessaire. Ne surchauffez pas. Si l'extérieur de l'appareil devient rouge, vous surchauffez. Gardez les meubles et autres matériels combustible à une distance considérable de l'appareil de chauffage. Type de combustible: solide bois seulement.	Important: Before commencing installation, refer to the label located behind the faceplate and to the manufacturer's installation instructions packaged together with this unit. The installation must be approved by the authority having jurisdiction. Avant de commencer l'installation, référez-vous à l'étiquette qui se trouve derrière la façade ainsi qu'aux instructions d'installation du fabricant fournies avec l'appareil. L'installation doit être approuvée par l'autorité compétente.
<b>CAUTION:</b> This fireplace needs a large amount of air to operate which may starve other fuel burning appliances of combustion, ventilation and dilution air. <b>ATTENTION:</b> Cette cheminée a besoin d'une grande quantité d'air pour l'exploitation qui peut affamer les autre appareils de combustion, ventilation et dilution d'air de combustion.	
This model meets the U.S. EPA Wood-burning Fireplace Program Phase 2 emission level. To minimize smoke, always operate your fireplace in accordance with the manufacturer's instructions found in the owner's manual. Additional information about EPA's Program is available at <a href="http://www.epa.gov/burnwise/index.html">www.epa.gov/burnwise/index.html</a> / Ce modèle répond à la Cheminée programme de phase de niveau 2 des émissions États Unis EPA à bois. Pour minimiser la fumée, toujours fonctionner votre foyer conformément aux instructions du fabricant figurant dans le manuel du propriétaire. Des renseignements supplémentaires sur le programme de l'EPA est disponible à <a href="http://www.epa.gov/burnwise/index.html">www.epa.gov/burnwise/index.html</a>	
 24 NAPOLEON ROAD, BARRIE, ONTARIO L4M 0G8 CANADA	W385-2174



Location de la plaque d'homologation

### remarque:

La plaque d'homologation doit rester avec l'appareil à tout instant. Il ne doit pas être enlevé.



### ! AVERTISSEMENT

- Portez des gants, chaussures et des lunettes de protection.
- Suivez attentivement les instructions pour l'assemblage de la cheminée et des autres composants nécessaires à l'installation de l'appareil. Toute omission pourrait causer un incendie, particulièrement si des matériaux combustibles sont trop près de l'appareil ou de la cheminée et que des ouvertures d'air sont bloquées, empêchant la libre circulation de l'air de refroidissement.
- N'installez pas la prise d'air extérieur dans le garage. Les produits d'échappement provenant des moteurs à essence sont dangereux. N'installez pas la prise d'air extérieur dans un grenier, un sous-sol ou au-dessus du toit où d'autres appareils de chauffage, des ventilateurs et des cheminées évacuent ou tirent de l'air. Ces mesures réduiront les possibilités de refoulement de fumée ou une inversion du débit d'air. L'entrée de la prise d'air doit demeurer dégagée de feuilles, de débris, de glace ou de neige. Elle doit être dégagée lorsque l'appareil fonctionne afin que la pièce ne soit pas privée d'air, ce qui peut causer des refoulements de fumée ou une incapacité à maintenir un feu. Les refoulements de fumée peuvent aussi déclencher les détecteurs de fumée.
- Une pression négative dans la maison pourrait nuire au rendement de l'appareil.
- Afin d'éviter tout contact avec de l'isolant qui s'affaisse, l'appareil ne doit pas être installé contre un coupe-vapeur ou de l'isolant à découvert. Une surchauffe localisée peut survenir et un incendie pourrait s'ensuire.
- N'utilisez pas de compromis de fortune lors de l'installation. N'obstruez pas, entièrement ni partiellement, les ouvertures d'air, les grilles ou les persiennes. N'ajoutez pas de hotte.
- Pour prévenir des blessures, gardez vos outils à main en bon état, affutez les tranchants et assurez-vous que les manches sont solides. En tout temps, conservez l'espace vide minimal requis à l'enceinte afin de prévenir les incendies.
- Vérifiez avec les responsables de la construction locale pour les permis requis pour l'installation de cet appareil et notifié votre compagnie d'assurance avant de procéder.

#### note:

L'enceinte doit être ventilé, voir la section « ossature ».

### 3.1 dégagement et placement

#### ! AVERTISSEMENT

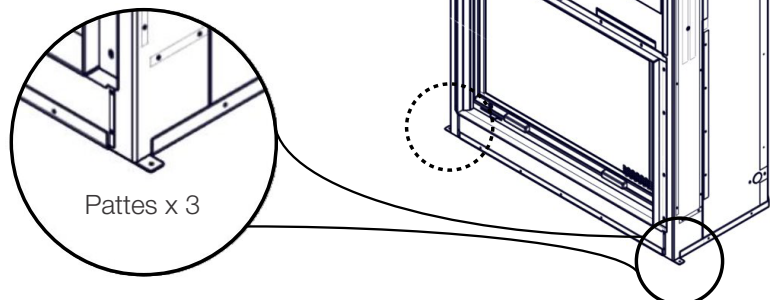
- N'installez pas dans n'importe quelle zone ayant une hauteur inférieure à 7 pieds (2,1m) (plafond de l'enceinte à l'appareil de fond, excluant l'hauteur de la cheminée).

#### **IMPORTANT**

Cet appareil, tout habillé, pèse 745lbs (338kg). Assurez-vous qu'il est le soutien au sol adéquat pour l'appareil, cheminée et matériau de parement. Certains matériaux pourraient peser des milliers de livres.

**Dans toutes les installations, nous vous recommandons de fixer l'appareil au plancher.**

En vous servant de l'ouverture de la porte comme point de référence, placez des cales sous l'appareil jusqu'à ce qu'il soit de niveau. Utilisant la palette sur le devant des coins et l'arrière (pas illustré), fixez l'appareil au plancher.



# planification de l'installation

FR

## 3.2 ouvertures de ventilation

Il est requis d'installez une grille d'aération (ouvertures minimales de 40 pouces carrés [0,03 mètres carrés) au niveau de plancher et une autre au niveau du plafond de l'enceinte. Ces grilles ne peut pas restreindre la circulation de la chaleur de plus de 25%. N'installez pas l'appareil dans un espace ayant moins de 7 pieds (2,1 m) (du plafond de l'enceinte au bas de l'appareil, excluant la hauteur de la base de protection).

## 3.3 air comburant extérieur

### remarque:

L'ensemble de prise d'air extérieur (111-KT) est un accessoire optionnel. Dans certaines régions, l'air extérieur doit être acheminé directement à l'appareil. Installez l'appareil conformément aux codes locaux.

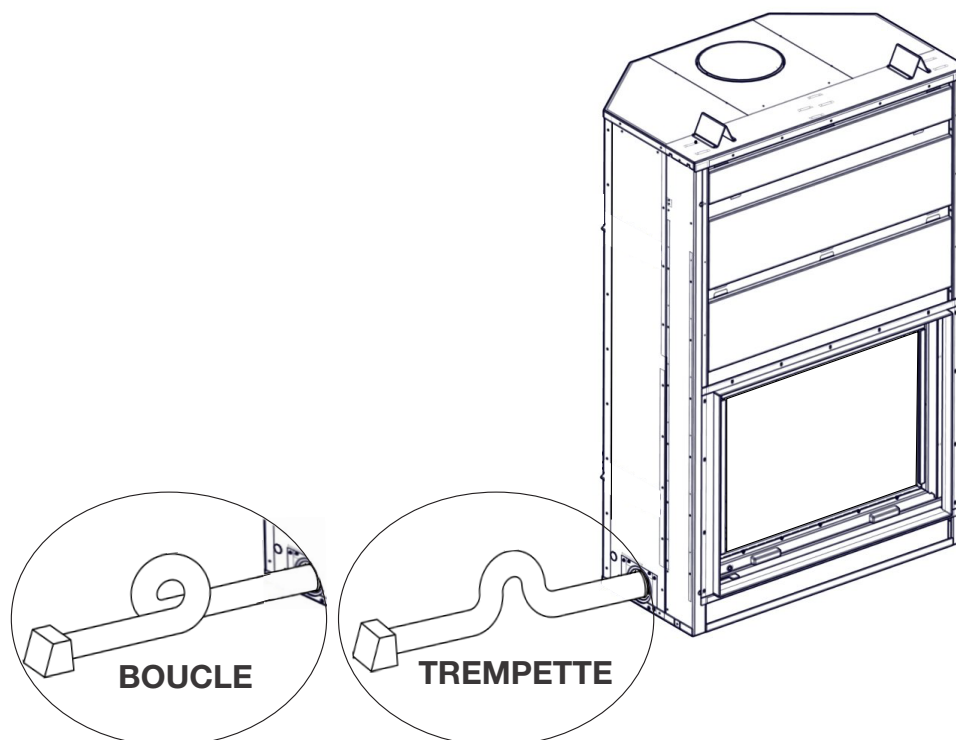
Il est recommandé d'installer l'air extérieur à l'appareil car cela vous aidera à empêcher toute fumée entrant dans l'espace de vie dans les foyers que expérimentent des pressions négatives. Consultez les autorités locale compétente, il peut être requis.

Il est conseillé d'isoler les gaines de prise d'air dans les climats plus froids afin d'éviter la condensation.

Il est recommandé qu'une trempette ou la boucle est mis dans le conduit à créer un piège à air froid afin d'éviter l'air froid qui se jettent dans la chambre quand l'appareil est hors de service (voir l'illustration ci-dessous).

La modèle NZ5000 achemine l'air extérieur directement dans l'appareil à travers les ouvertures situées du côté gauche de l'appareil.

Les conduits d'air extérieur et les hottes doivent être installés inférieur au foyer. Fixez et scellez les conduits d'air



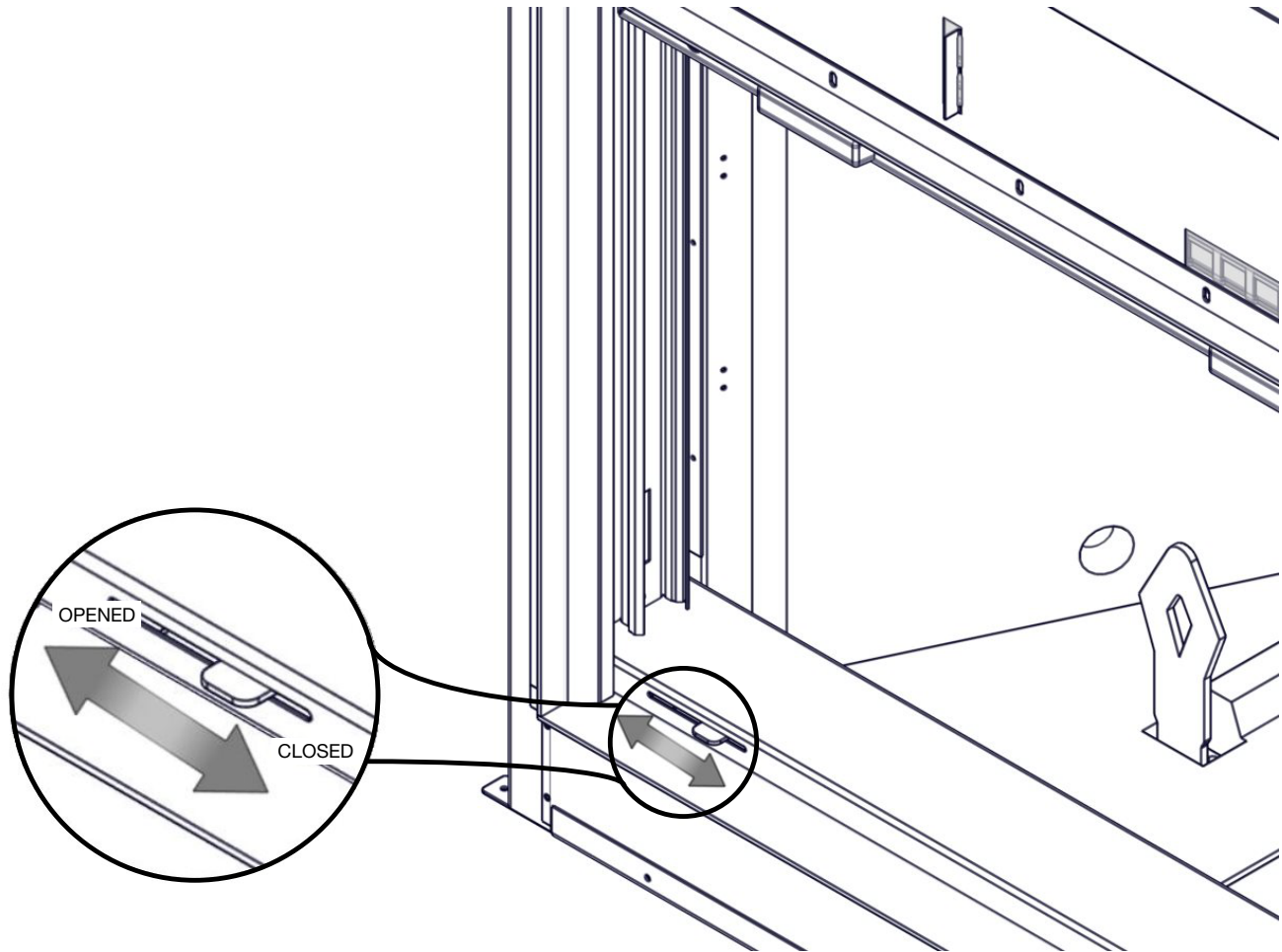
L'entrée du conduit doit être placée de sorte qu'elle ne peut pas être bloqué (c.-congères). 12" (30,5cm) du sol est recommandé. Faites un trou de 4 1/2" (114mm) pour répondre dans un mur extérieur de la maison. De l'extérieur, placez le capot de l'air frais dans le trou, côté ouvert vers le bas. Sceller avec du calfeutrage et sécurisé.

## 3.3.1 l'opération d'air combustion extérieur

Le contrôle d'air de combustion extérieur se trouve sur le côté gauche inférieure de l'appareil dessous la porte d'écran. **(FIG.1)**

Avant d'allumer l'appareil, s'assurer que le contrôle d'air de combustion extérieure est ouverte en poussant le levier vers le gauche de l'appareil.

Avant de fermer le contrôle d'air de combustion à l'extérieur, laissez l'appareil refroidir complètement. Pour fermer, poussez le levier vers la droite.



# planification de l'installation

FR

## 3.4 pare-braises et base de protection

### ! AVERTISSEMENT

- Les bases de protection doivent être installées uniquement comme décrit, afin d'empêcher les matériaux combustibles dissimulés d'être exposés à de hautes températures. Les pare-braises empêchent toute particule chaude ou en combustion de tomber de façon accidentelle directement sur des surfaces combustibles, dans l'éventualité où le bâtiment bougerait et que la construction d'origine serait dérangée.

Une base de protection incombustible (ie: brique, pierre ou tuile de céramique) qui répond aux critères décrit dans cette section doit être installé.

La base de protection doit se prolonger d'un minimum de 20" (50,8cm) à l'avant de l'appareil tant qu'elle n'est pas élevée (voir les codes de bâtiment locaux. Le foyer doit étendre au moins 12" (30,5cm) aux deux côtés de l'appareil.

La base de protection doit consister d'un panneau de ciment (ou équivalent) d'un minimum de 1" (25mm) d'épaisseur (ou equivalent) plus une tuile de céramique de 1/4" (6.4mm).

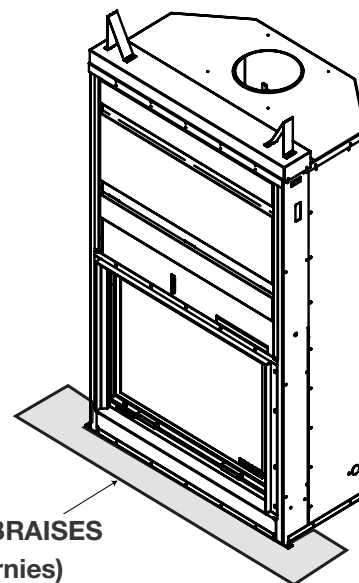
Assurez-vous que l'espace entre l'appareil et la base de protection incombustion est scellé avec un coulis de sable/ciment ou recouvert d'un pare-braises (ou les deux) afin d'éviter que des étincelles et des braises ne tombent dans cette zone.

#### BASE DE PROTECTION

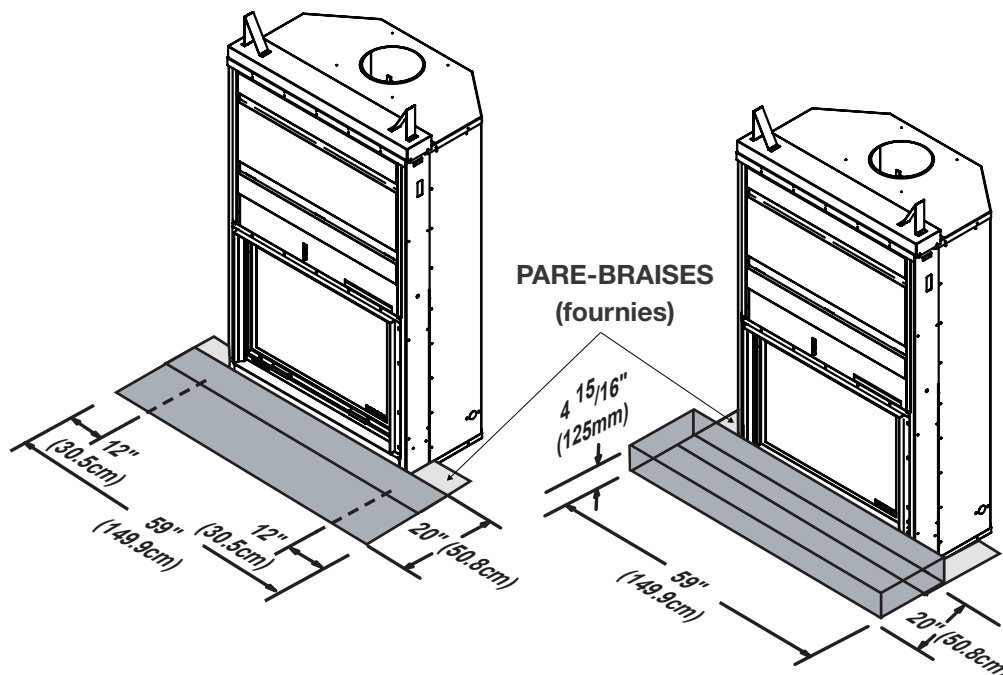
Des bases de protection surélevées doivent être construites avec des matériaux incombustibles comme des blocs de ciment ou des briques.

Bien que l'appareil puisse être installé directement sur le plancher (à l'aide du pare-braises), une base de protection incombustible est requise à l'avant de l'appareil. Cette base ne doit pas être plus élevée que le bas de la façade de l'appareil. Il serait donc conseillé d'installer l'appareil sur une plate-forme.

Une base de protection surélevée conjointement avec un appareil installé sur une plate-forme sont conseillés pour faciliter le chargement du bois et avoir une meilleure visibilité de feu.

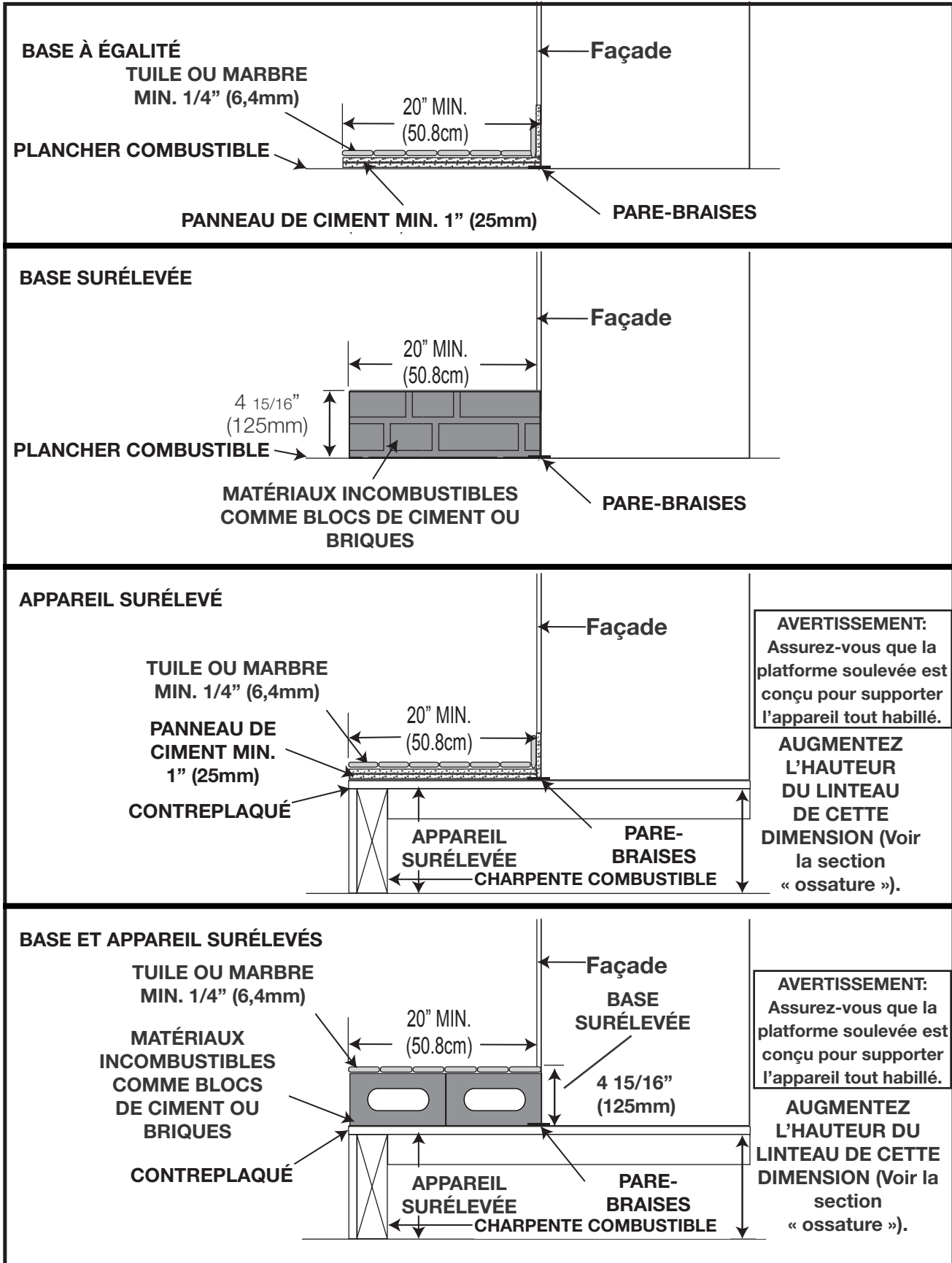


PARE-BRAISES  
(fournies)



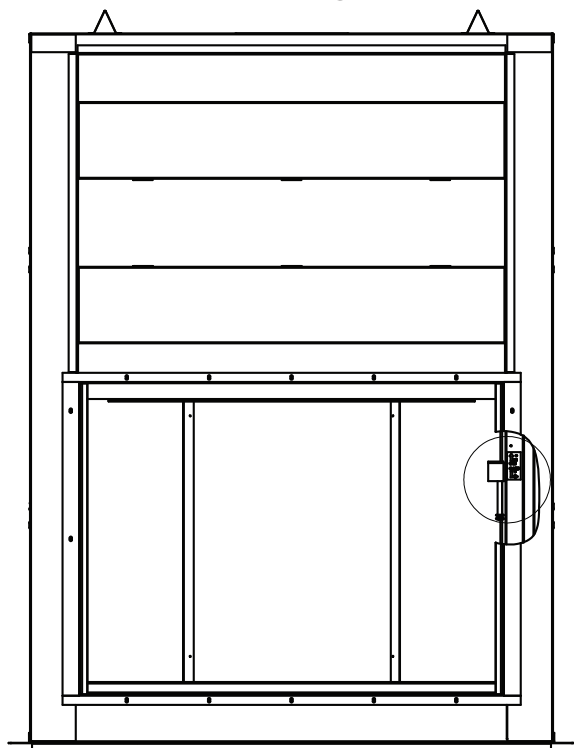
PARE-BRAISES  
(fournies)

3.5 exemples de bases de protection



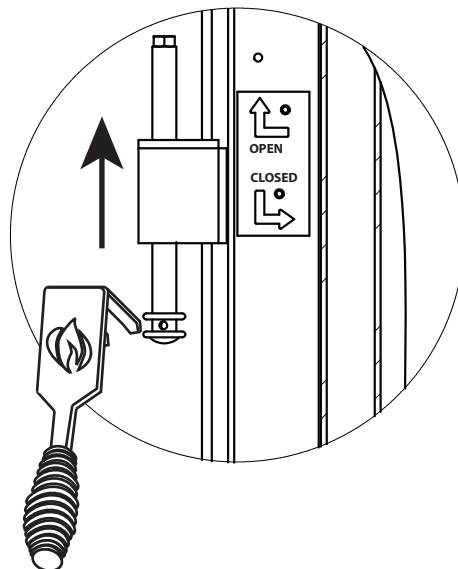
# planification de l'installation

## FR 3.6 opération de registre

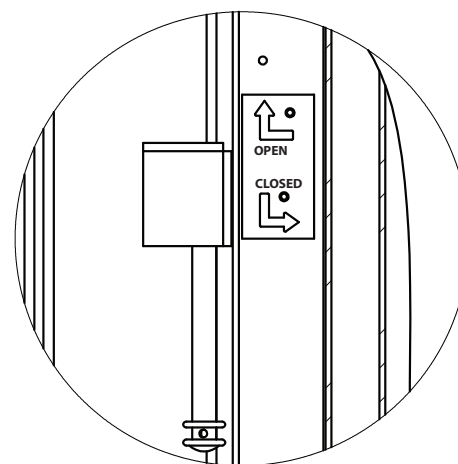


Pour fermer le registre, tirez sur le levier de commande du registre et poussez-le vers la droite.  
Pour ouvrir le registre, tirez sur le levier de commande du registre légèrement vers le bas et poussez-le vers la gauche, puis relâchez-le.

OUVRIR



FERMÉ



### remarque:

**Le registre doit être en position « ouverte » lorsqu'un feu brûle.**

### remarque :

Si le registre se dévisse, il demeurera en position « ouverte ».

### note:

Si le registre ne fonctionne pas correctement, ne procédez pas avec l'installation de la cheminée. L'opération du registre devrait être vérifiée à fond avant la cheminée est installée.

## ! AVERTISSEMENT

- Ne jamais installer un conduit de raccordement à paroi simple ou un tuyau de poêle dans une structure d'enceinte. Les températures plus élevées de ce conduit à paroi simple peuvent irradier suffisamment de chaleur aux matériaux combustibles de l'enceinte pour causer un incendie.
- Pour éviter le risque d'incendie, toutes les instructions doivent être respectées à la lettre, y compris l'aménagement d'un espace d'air libre entre le système de conduits et le caisson.
- Maintenez un espace d'air libre d'au moins 2 po (51 mm) autour de toutes les parties du système de conduits en tout temps. Sans cet espace d'air libre de 2 po (51 mm), un incendie de structure pourrait survenir.
- Des instructions détaillées pour l'installation du collet de solin et du chapeau sont incluses avec ces pièces.
- Des espaceurs coupe-feu doivent être utilisés lorsque le système de conduits traverse un plafond ou un plancher.
- La cheminée doit être en bon état et ne doit pas être fêlée. Nettoyez la cheminée au moins deux fois par année et lorsque nécessaire.
- Scellez toujours les pénétrations à l'aide de produits de scellement homologués haute température.
- Ce foyer n'a pas été testé pour une utilisation avec une enceinte au-dessus du toit. Pour réduire tout risque d'incendie, n'installez pas d'enceinte au-dessus du toit.
- L'installation d'une enceinte combustible au-dessus du toit est admissible si effectuée conformément aux instructions d'installation du fabricant de cheminée.

### 4.1 cheminée

#### remarque:

Toutes les raccordements d'évacuation doivent se conformer aux instructions d'installation du fabricant de la cheminée.

Cet appareil a été testé selon les normes CAN/ULC S610 et UL 127 pour les foyers préfabriqués. Cet appareil est approuvé pour des installations à dégagement zéro aux surfaces combustibles et est certifié pour brûler du bois de chauffage uniquement.

Toutes les cheminées de 8 po (203mm) de diamètre homologuées aux normes CAN/ULC S610 pour Canada ou UL127 pour l'États-Unis ou aux normes ci-après; CAN/ULC-S604 et CAN/ULC-S629 pour Canada ou UL-103 ou UL-103HT pour l'États-Unis peut être installé.

L'installation des différents types de système de cheminée préfabriquée devra se conformer aux instructions d'installation du fabricant de la cheminée. Pour amorcer l'installation, une plaque d'ancrage et un joint d'étanchéité adéquats, provenant du fabricant de la cheminée, sont requis. Utilisez le joint d'étanchéité à haute température fourni pour sceller l'espace entre la plaque d'ancrage et le dessus de l'appareil. Un système de cheminée refroidie à l'air n'est pas recommandé dans les climats plus froids.

Pour obtenir les instructions d'installation complètes de la cheminée, référez-vous aux instructions fournies avec le système de cheminée.

Une cheminée servant d'évacuation à l'appareil ne doit pas servir pour aucun autre appareil. L'hauteur minimale de la cheminée à partir du dessus de l'appareil est de 15 pi (4,6m). L'hauteur maximale de la cheminée à partir du dessus de l'appareil est de 34 pi (10,4m).

Les systèmes de cheminée préfabriquée conçus pour des résidences de trois familles ou plus doivent être enchâssés au-dessus de la pièce où se trouve l'appareil. Ce coffrage doit avoir un indice de résistance au feu égal ou supérieur à celui du plancher ou du toit qu'il traverse.

La cheminée ne devrait pas être construite avec un angle de déviation excédant 45° au Canada et 30° aux États-Unis. Les parties de la cheminée qui franchissent des espaces accessibles devront toujours être enchâssées afin d'éviter tout contact personnel et par conséquent éviter d'endommager la cheminée.

La cheminée doit être supportée à des intervalles de 20pi (6,1m) maximum. Chaque 20 pi (6,1m) de cheminée peut peser jusqu'à environ 200lbs (90,7kg). Consultez les spécifications du fabricant de la cheminée.

Lors de l'utilisation d'une cheminée de 8 po (203mm), centrez soigneusement la plaque d'ancrage à la buse de l'appareil.

#### note:

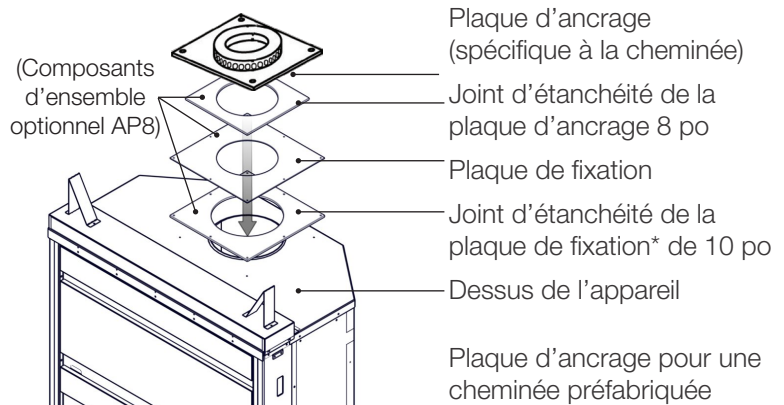
Tant qu'une cheminée isolée avec une plaque d'ancrage plus petit que 12 po (30,5cm) par 12 po (30,5cm), une ensemble de AP8 doit être installée (plaque de fixation).

#### note:

Des installations de la cheminée de maçonnerie ne sont pas permis.

#### note:

Joint d'étanchéité fourni doit convenir la plaque d'ancrage de la cheminée ou utiliser le joint d'étanchéité fourni par le fabricant de la cheminée.

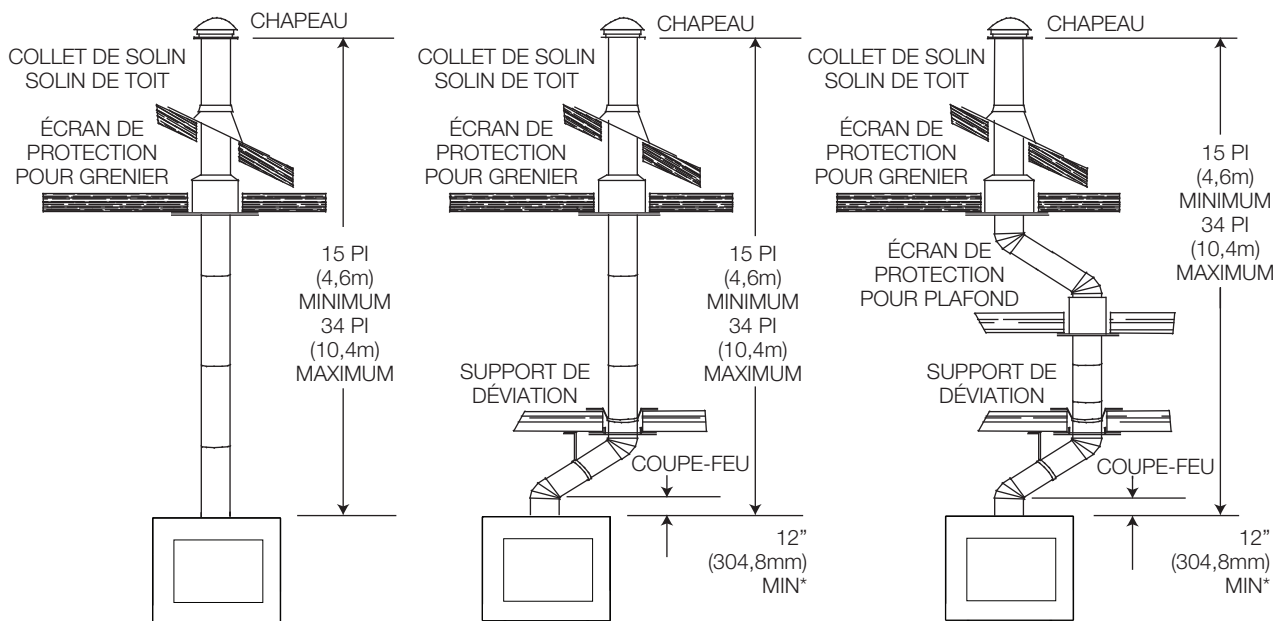


Configuration d'une cheminée isolée illustrée.

# installation

## FR 4.2 installation typique de la cheminée

(Cheminée pleine ou redroïdie à l'air de 8 po)



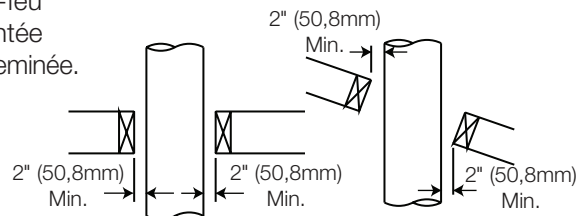
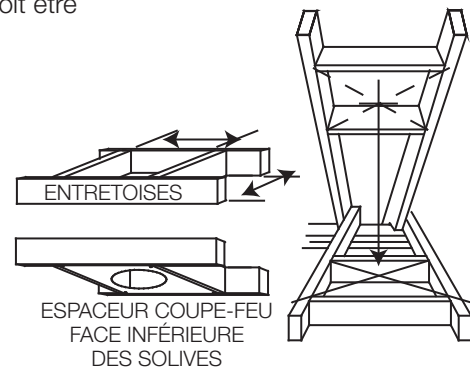
**CHEMINÉE DROITE**

**CHEMINÉE À UNE DÉRIATION**

**CHEMINÉE À DEUX DÉRIATIONS**

\* La première déviation du conduit, plus proche du haut de l'appareil doit être à une distance minimale de 12" (304,8mm) du dessus de l'appareil.

- A. Mettez l'appareil en place. Essayez de positionner la buse de l'appareil à mi-chemin entre deux solives pour ne pas être obligé de les couper. Utilisez du fil à plomb pour aligner le centre de la buse.
- B. Découpez et charpentez une ouverture dans le plafond afin de maintenir un dégagement minimal de 2" (50,8mm) entre l'extérieur de la cheminée et les matériaux combustibles. **NE REMPLISSEZ CET ESPACE AVEC AUCUN TYPE DE MATÉRIAU!** Fixez des entretoises entre les solives pour assurer un support additionnel. Des espaceurs coupe-feu doivent être fixés au bas de chaque ouverture charpentée dans un plancher ou un plafond par lequel traverse la cheminée.
- C. Tenez un fil à plomb à partir du dessous du toit pour déterminer où doit se trouver l'ouverture du toit. Découpez et charpentez une ouverture dans le toit tout en conservant le dégagement de 2" (50,8mm).



**Installation typique avec solive**

**Installation typique avec solive de toit**

**note:**

Des coudes de 30° ou 45° peuvent être installés bout à bout.

**note:**

Tant qu'une cheminée avec une plaque d'ancrage plus petit que 12 po (30,5cm) par 12 po (30,5cm), une ensemble de AP8 doit être installée.

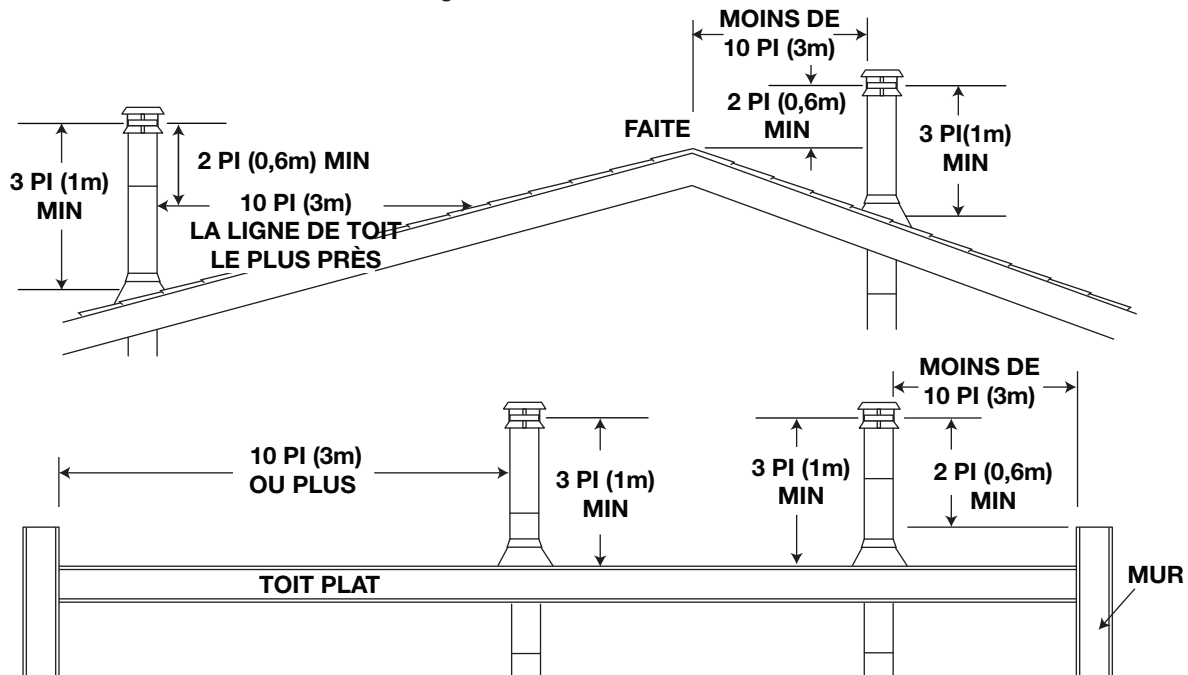
**note:**

Des installations de la cheminée de maçonnerie ne sont pas permis (voir la section « installation d'une cheminée refroidie à l'air »).



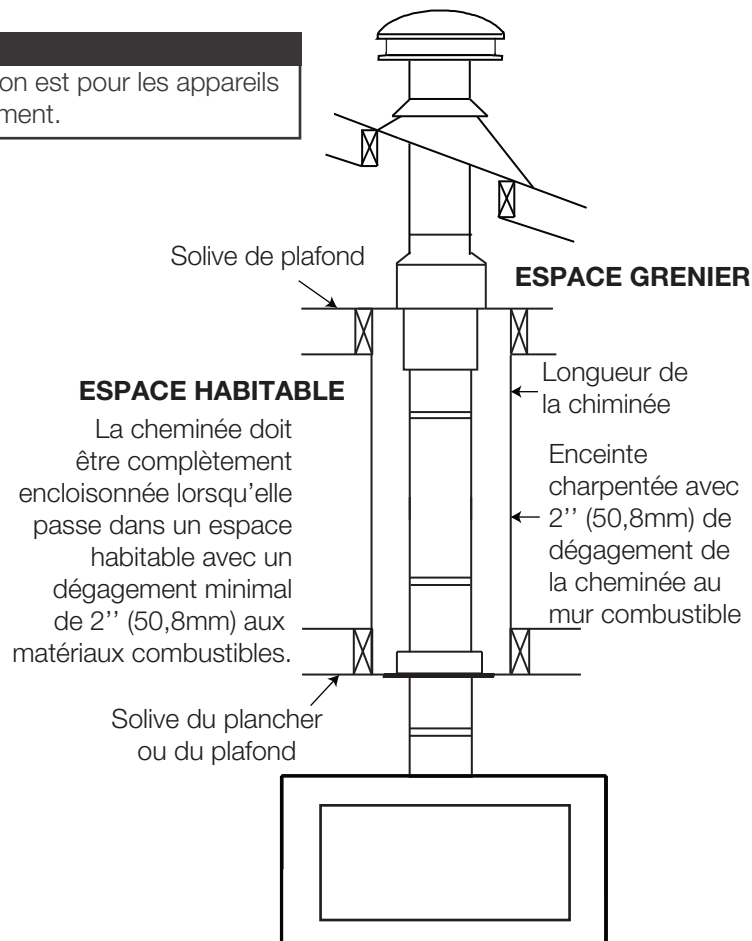
## 4.3 ajout de sections de cheminée

Ajoutez des sections de cheminée, selon les instructions d'installation du fabricant. Si la cheminée devra dépasser par l'espace grenier un écran protecteur de chevrons ou une bouclier d'isolation du grenier est requis. La cheminée doit dépasser le toit d'au moins 3' (0,9m) de son point de contact avec la toiture, et 2' (0,6m) de tout mur, toit ou édifice se trouvant à l'intérieur d'une distance horizontale de 10' (3,1m). Si la cheminée dépasse le toit de plus de 5' (1,5m), elle devra être fixée au toit avec un support de toit ou des brides de sécurité. Un chapeau de cheminée devra être installé afin d'éviter des dommages internes et la corrosion.



### remarque:

Cette illustration est pour les appareils de bois seulement.

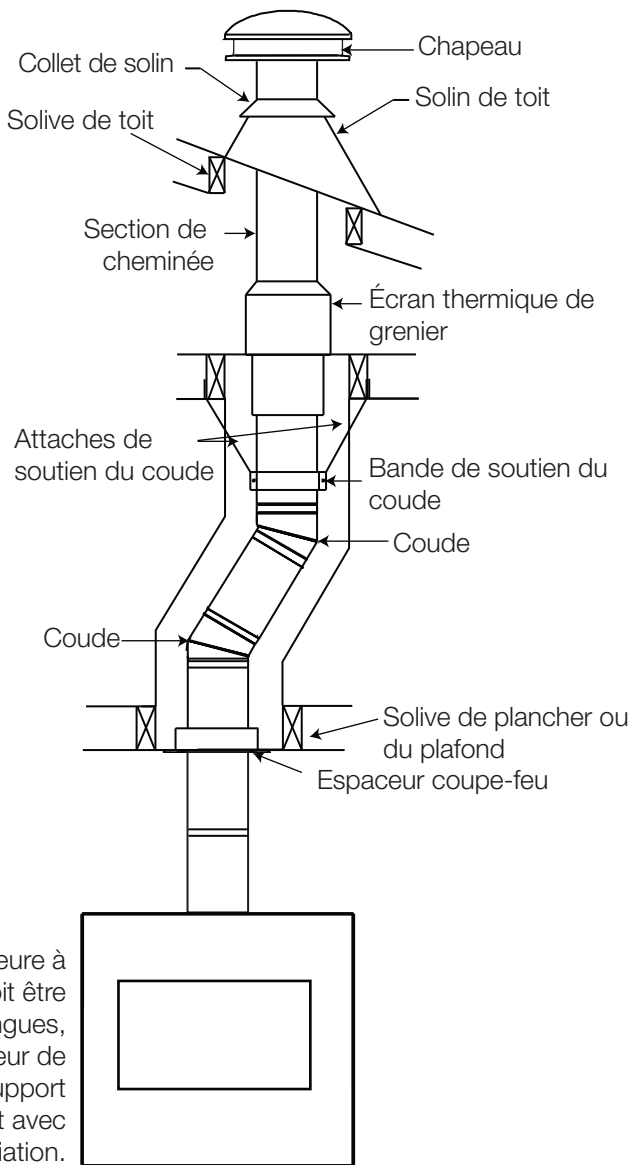


### **AVERTISSEMENT**

- Les conduits de raccordement installés entre une déviation et un coude de retour requièrent un support afin de réduire la charge excentrée et prévenir toute séparation entre les sections de conduit aux joints.
- La cheminée ne devrait pas être construite avec un angle de déviation excédant 45° au Canada et 30° aux États-Unis. Ne combinez pas de coudes de manière à excéder ces angles.

La première déviation du conduit la plus proche au dessus de l'appareil doit être à une distance minimale de 12" (30.5cm) du dessus de l'appareil.

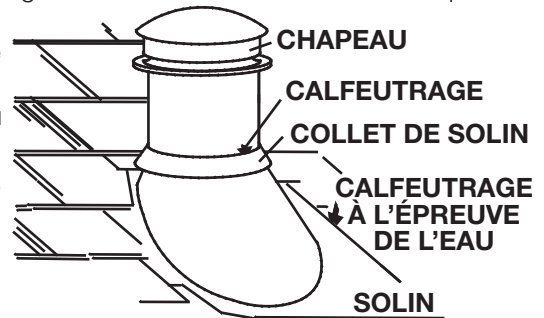
Fixez un coude à la section de cheminée dans la direction de la déviation. Fixez selon les instructions du fabricant de la cheminée. Les sections de cheminée doivent être adéquatement fixer un à l'autre pour assurez qu'elles ne se séparent pas. Pour une déviation minimale, fixez un coude de retour au premier. Pour obtenir des déviations plus longues, vous pouvez installer n'importe qu'elle longueur du tuyau disponible entre les coudes. Des supports doivent être utilisés sur la première section verticale de cheminée après un coude de retour.



Si la longueur de la déviation est supérieure à 36" (91,4cm), un support intermédiaire doit être utilisé. Pour obtenir des déviations plus longues, vous pouvez installer n'importe quel longueur de tuyau disponible entre les coudes. Le support intermédiaire doit être utilisé conjointement avec le support de déviation.

## 4.5 installation du solin et du collet de solin

Les instructions d'installation suivants sont générales pour l'installation du solin autour de la cheminée. L'Installation de tous les types de systèmes construits en usine doivent être installées en conformité avec les instructions d'installation du fabricant de la cheminée. Enlevez les clous des bardeaux sur le dessus et les côtés de la cheminée. Placez le solin par-dessus le tuyau d'évacuation et glissez-le sous les côtés et le bord supérieur des bardeaux. Assurez-vous que le tuyau est bien centré dans le solin en laissant une marge de 3/4" (19,1mm) tout autour. Fixez-le au toit sur le dessus et les côtés. **NE CLOUEZ PAS** à travers la partie inférieure du solin. Imperméabilisez-le en le scellant avec du calfeutrage. Si possible, recouvrez les côtés et les bords supérieurs du solin avec des matériaux de couvertures. Appliquez un joint de calfeutrage à l'épreuve de l'eau autour de l'évacuation à 1" (25,4mm) au-dessus du haut du solin et glissez le collet de solin jusqu'à la ligne de calfeutrage. Fixez un chapeau vertical au sommet de la dernière section de l'évacuation.



## 4.6 installation d'une cheminée refroidie à l'air

### ⚠ AVERTISSEMENT

- Ne bloquez pas l'ouverture de prise d'air extérieur à l'extérieur de la maison. Cela entraînera un incendie et la mort.

Cet appareil a été testé pour utilisation avec DuraVent, DuraChimney II. Le NZAC8KT doit être utilisé en conjonction avec DuraVent 8DCA-AP pour compléter l'installation.

1. Installez le collet de départ (à l'aide du joint d'étanchéité fournie) sur le conduit et fixez-le sur le dessus du foyer.
2. Insérez le boîtier à air sur la première section de la cheminée et fixez la cheminée sur le collet de départ.
3. Faites glisser le boîtier à air long de la cheminée et fixez-le sur le dessus du foyer.
4. Branchez la prise d'air extérieur connection pour la cheminée.

#### remarque:

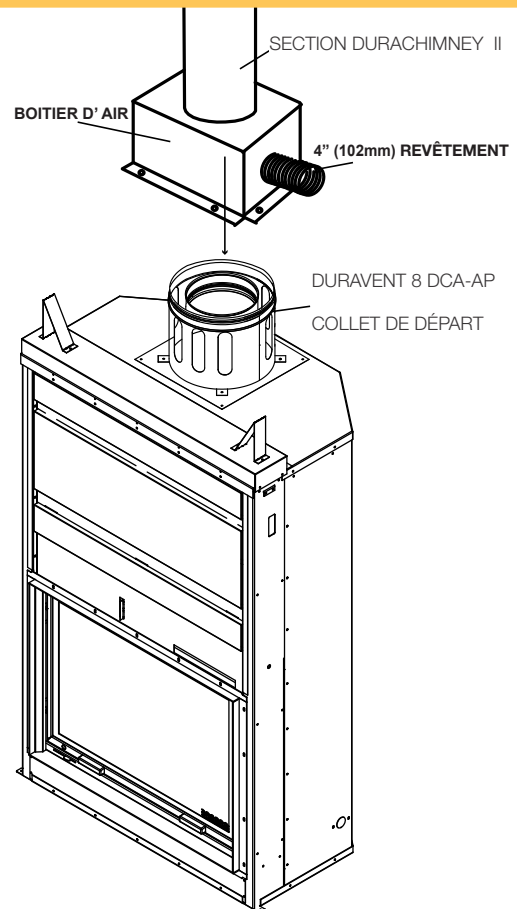
Les fentes de prise d'air du collet de départ doivent être intégralement couvertes par le boîtier à air.

#### remarque:

Suivez les instructions du fabricant de la cheminée pour l'installation de la cheminée.

#### remarque:

Utiliser l'ensemble de 111KT pour l'air extérieur pour se connecter à un logement de l'air. Longueur maximale de 4" (101,5mm) revêtement est 20 pi (6m). S'il faut une plus grande longueur, augmentez le diamètre du revêtement à 6" (152,4mm).



#### note:

Une cheminée d'air refroidie requiert un approvisionnement d'air extérieur dédié avec un minimum diamètre de revêtement de 4 po. (Pour ne pas être partagés avec l'air extérieur de l'appareil).

### ! AVERTISSEMENT

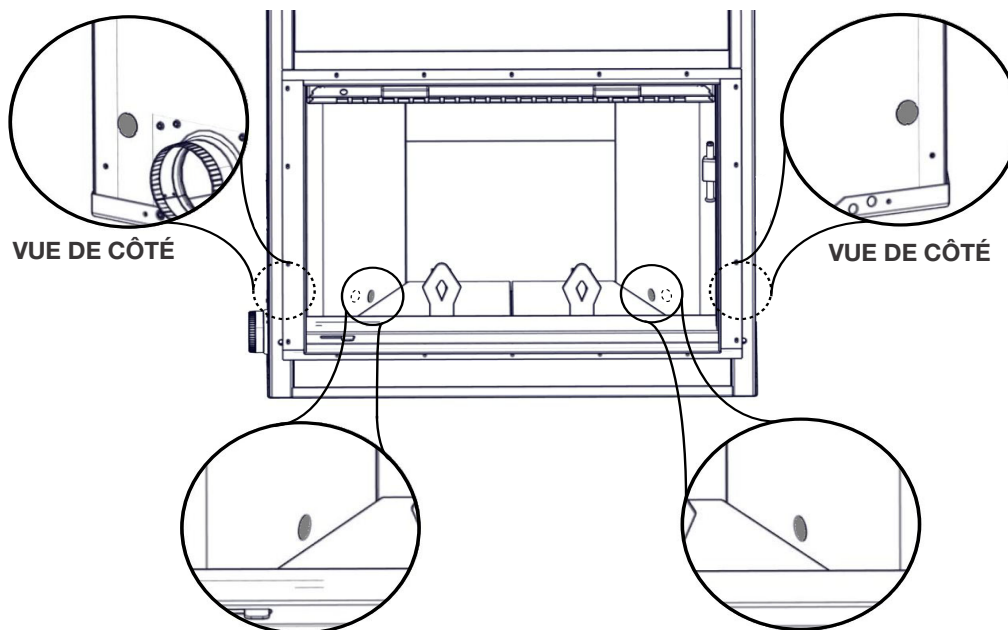
- Il est obligatoire que le registre de tirage soit tenu ouvert pour une utilisation avec les ensembles de bûches à gaz ventilés.
- Seuls les ensembles de bûches à gaz non ventilés qui s'avèrent conformes à la norme pour les appareils de chauffage non ventilés, ANSI/IA S/AGA Z21.11.2, peuvent être installés avec cet appareil.
- N'utilisez pas un ensemble de bûches à gaz non ventilé dans cet appareil sans cheminée installée.
- Avant d'installer ou d'utiliser l'ensemble de bûches à gaz, assurez-vous que toutes les briques réfractaires et l'isolation sont installées et en bon état de marche.
- Les portes doivent être ouvertes complètement lorsque l'appareil fonctionne et un ensemble de bûches à gaz est installé.

Cet appareil a été testé pour une utilisation avec des ensembles de bûches à gaz manufacturés. Pour l'utilisation d'ensembles de bûches ventilés, le registre de tirage doit être fixé en position ouverte.

Cet appareil a été conçu pour une installation facile de la conduite de gaz par les côtés du foyer. La brique réfractaire est munie d'encoches moulées dans le bas des coins avant du foyer qui peuvent être défoncées. Des alvéoles défonçables correspondantes sont présentes sur le foyer et le caisson extérieur. Une fois celles-ci retirées, installez l'ensemble de bûches à gaz conformément aux instructions d'installation du fabricant.

#### remarque:

Pour effectuer l'installation de l'ensemble de bûches à gaz, il peut être nécessaire de retirer les bornes de chenet.



## ! AVERTISSEMENT

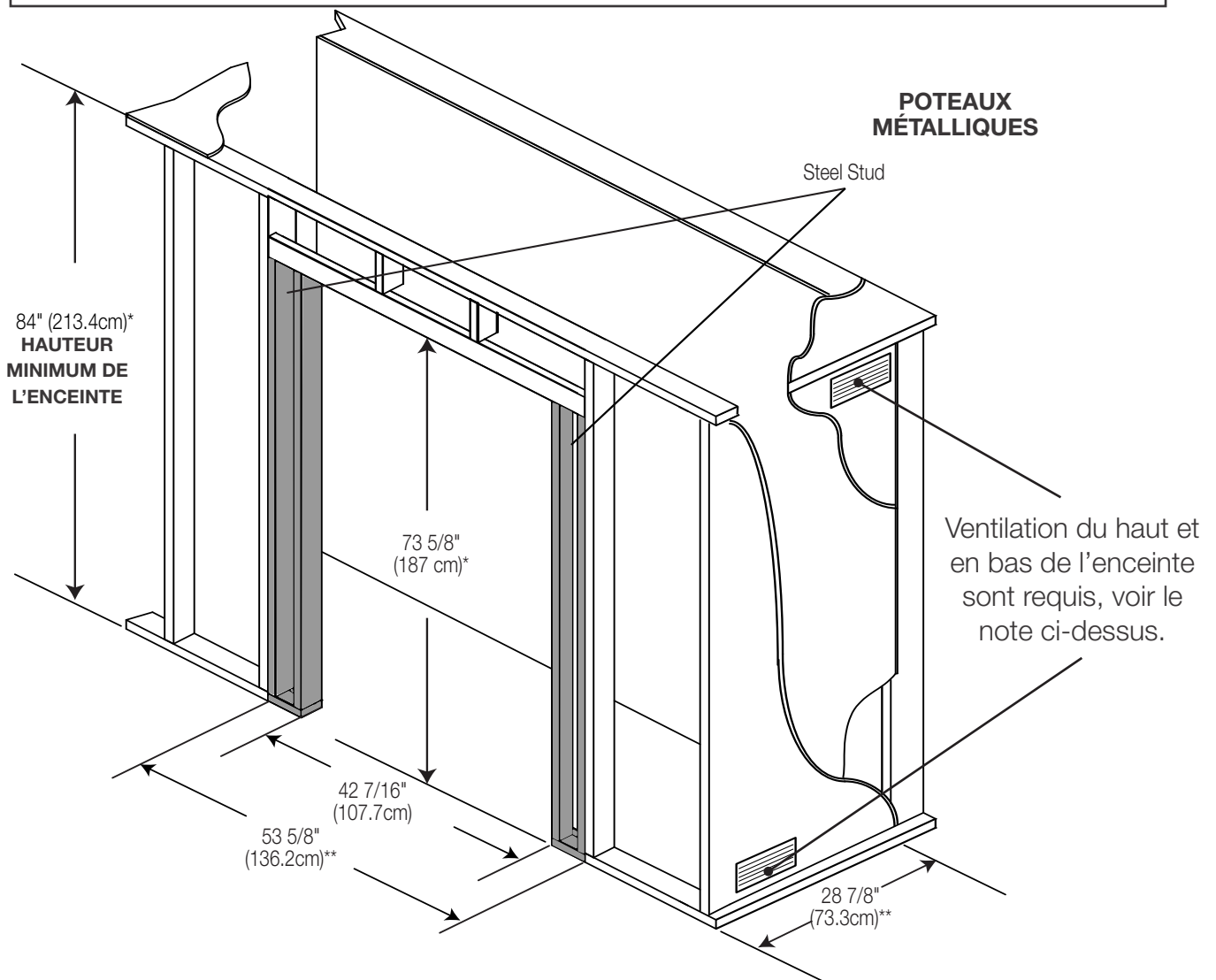
- Afin d'éviter la possibilité que de l'isolant ou un coupe-vapeur n'entrent en contact avec l'extérieur du caisson, il est conseillé d'installer l'appareil contre des murs « finis » (c.-à.-d. panneau de gypse), comme tout autre mur de la maison. Ceci assurera que le dégagement aux matériaux combustibles est maintenu.
- Ne construisez pas d'étagères ou d'armoires dans l'espace au-dessus de l'appareil.
- Les objets placés devant l'appareil doivent être gardés à une distance d'au moins 48" (121,9cm) de la face vitrée de l'appareil.

### remarque:

Utilisez des poteaux métalliques où incombustible faisant face est nécessaire.

### note:

L'enceinte de l'appareil doit permettre une circulation d'air suffisante pour éviter une risque d'incendie. Installez une grille d'aération (ouvertures d'air libre minimales de 40 po carrés [0,03 mètres carrés]) au niveau du plancher et une autre au niveau du plafond de l'enceinte. Ces grilles ne doivent pas restreindre la circulation de la chaleur de plus de 25%. N'installez pas l'appareil dans un espace ayant moins de 7 pieds (2m) d'hauteur (du plafond de l'enceinte au bas de l'appareil, excluant la hauteur de la base de protection). L'emplacement des fenêtres et des portes, ainsi que la circulation dans la pièce où l'appareil est installé doivent être pris en considération. Si possible, vous devriez choisir un emplacement où la cheminée passera dans la maison sans que vous ayez à découper un plancher ou une solive de toit.

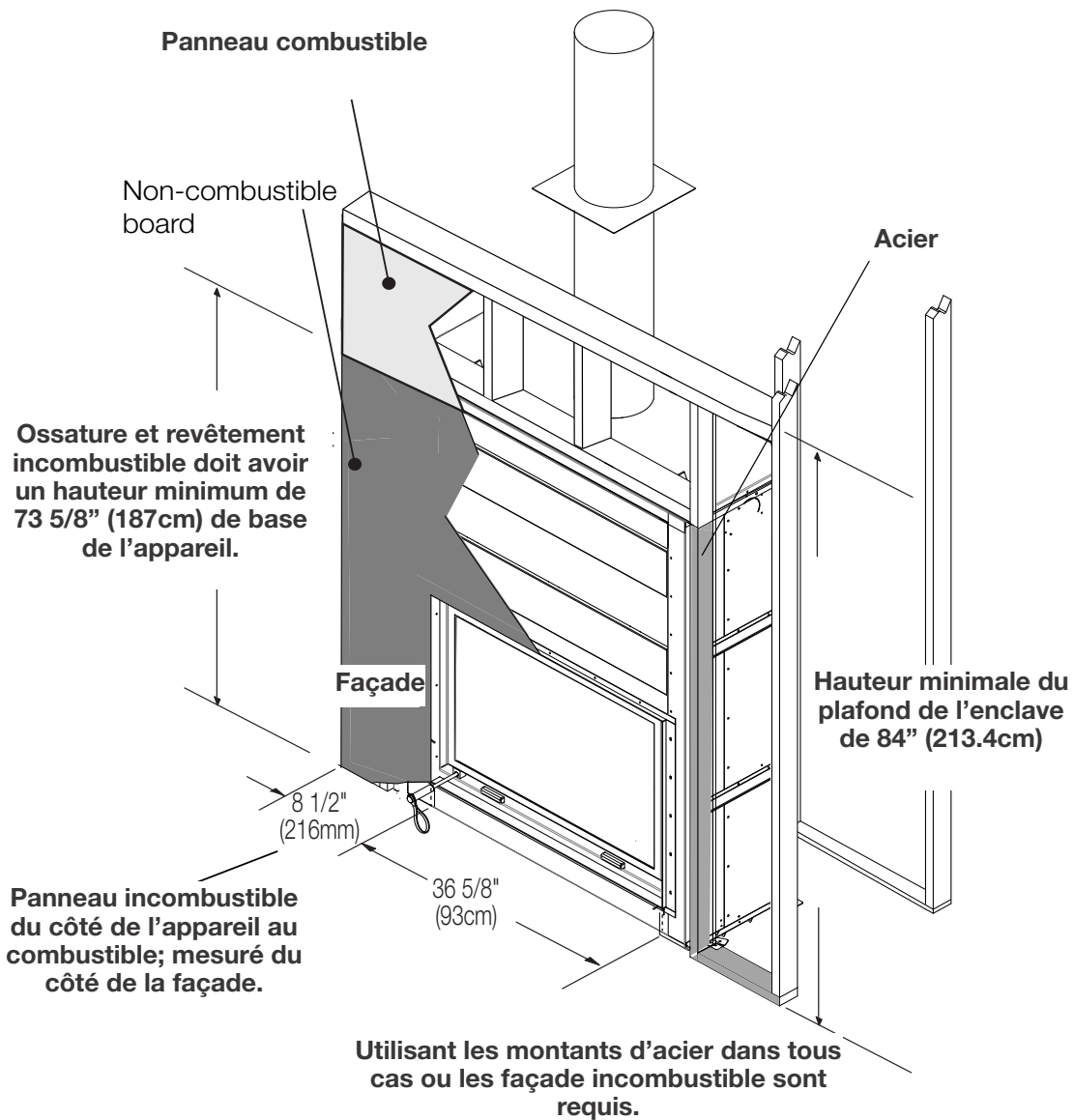


\* Prévoyez l'épaisseur du plancher fini et de la base de protection lorsque vous déterminez ces dimensions.

\*\* Lors de la construction de l'enceinte, prenez en compte l'épaisseur des matériaux de finition pour maintenir les dégagements.

### ! AVERTISSEMENT

- Les vis utilisées pour fixer les matériaux de finition à la face de l'appareil au-dessus de l'écran de la guilotine et la porte ne doivent pas dépasser 1/2" (13mm) dans les panneaux frontale de tôle. Référez à la section « dimensions » pour les besoins spécifiques.
- Ne comblez pas l'espace d'air libre avec de l'isolant ou d'autres matériaux.
- Utilisez uniquement un matériau incombustible pour la finition de la façade de l'appareil. Un matériau incombustible tel un panneau de ciment est requis à cette fin.
- Des ouvertures de ventilation sont requises pour toutes les enceintes.
- Au-delà de 73 5/8" (187cm) des matériaux de finition combustibles peuvent être utilisés en façade, mesuré du bas de l'appareil.
- N'isolez pas le contour de l'appareil.



**note:**

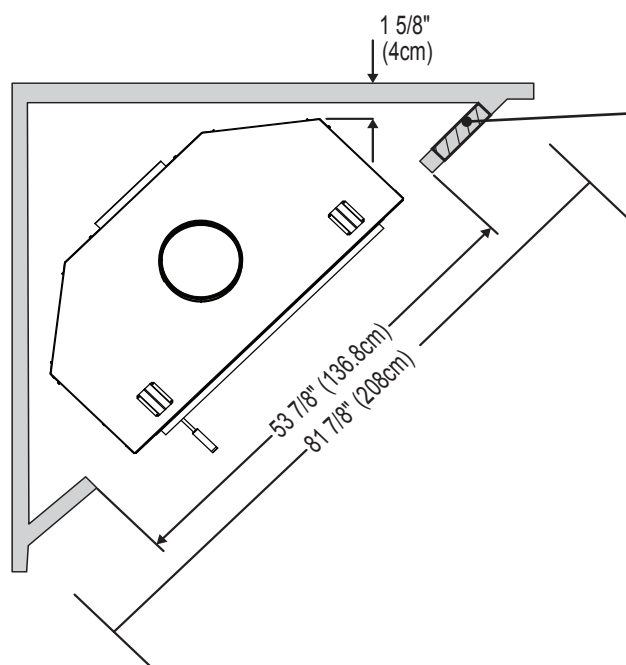
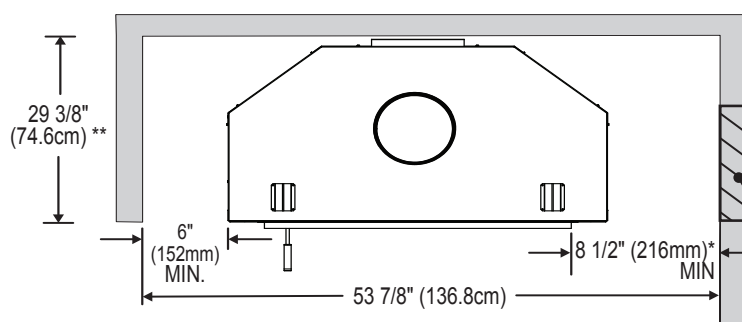
Avant de finissez l'enceinte complètement, assurez-vous que le tige de contrôle, le registre et les assemblages d'écran et porte fonctionne comme prévu.

## 5.2 dégagements minimaux aux matériaux combustibles

### Ossature de l'appareil

Arrière	- 0" (0mm) aux espaceurs
Côtés de l'appareil	- 6" (15.2cm) du côté de l'appareil
Plafond de l'enceinte	- 84" (213.4cm) du base de l'appareil
Plafond en avant de l'appareil	- 84" (213.4cm) du base de l'appareil
Cheminée	- 2" (51mm) (suivre les instructions du fabricant)

## 5.3 dégagements minimaux aux enceintes



Ventilation du haut et en bas de l'enceinte sont requis, voir la section « ossature ».

Lors du cadrage de l'appareil, assurez-vous de prévoir l'épaisseur du matériel de finition.

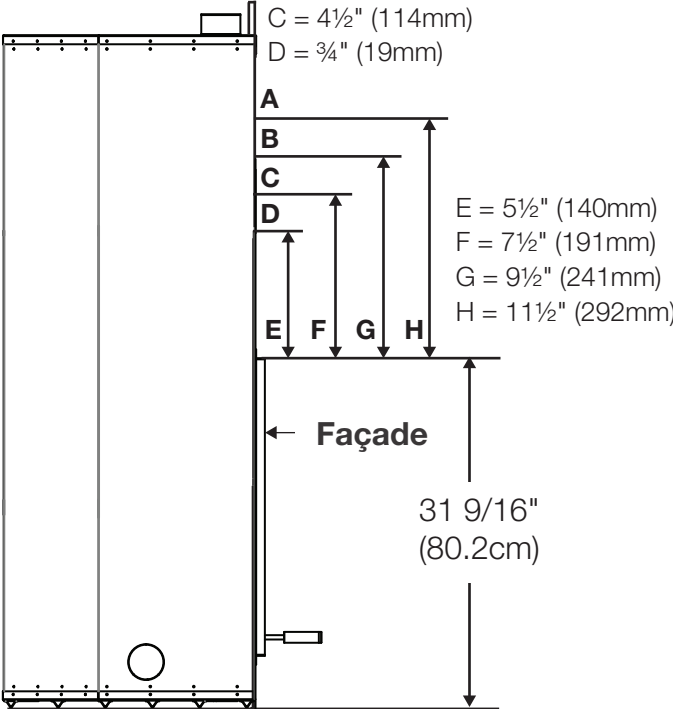
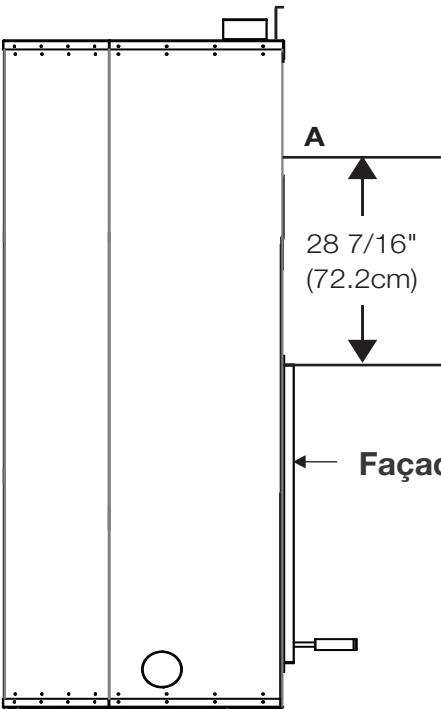
\* Dégagement minimale du mur du côté combustible

\*\* N'inclus pas la profondeur de la garniture de finition

### ! AVERTISSEMENT

- Risque d'incendie. Conservez tous les dégagements aux matériaux combustibles spécifiés. Ne pas respecter ces instructions peut causer un incendie ou une surchauffe. Assurez-vous que tous les dégagements (arrière, côtés, dessus, événements, tablette, façade, etc.) sont respectés à la lettre.
- Lorsque vous utilisez de la peinture ou du vernis comme finition pour votre tablette, assurez-vous qu'ils soient résistants à la chaleur afin de prévenir la décoloration.
- Lors de l'installation d'un ensemble de bûches à gaz non ventilé, tous les dégagements minimaux doivent être respectés.
- **Si l'installation a été effectuée en fonction de dégagements pour du bois naturel, il n'est pas possible d'installer un ensemble de bûches à gaz non ventilé.**

Voir le tableau ci-dessous pour plus d'informations sur l'installation de la tablette. N'excédez pas les profondeurs spécifiées de la tablette ou les hauteurs minimum spécifiées.

Dégagements pour l'utilisation de bois naturel et les bûches ventilés	Dégagements pour ensemble de bûches à gaz non ventilé
<p>                     A = 12" (30.5cm)                      B = 8" (203mm)                      C = 4½" (114mm)                      D = ¾" (19mm)                 </p>  <p>                     E = 5½" (140mm)                      F = 7½" (191mm)                      G = 9½" (241mm)                      H = 11½" (292mm)                 </p> <p>31 9/16" (80.2cm)</p> <p>Profondeur maximale du manteau par rapport à la hauteur du manteau</p>	<p>A = 12" (30.5cm)*</p>  <p>28 7/16" (72.2cm)</p> <p>*profondeur maximale du manteau de 12 po pour toute hauteur supérieure à 28 7/16 po (72,2 cm)</p>



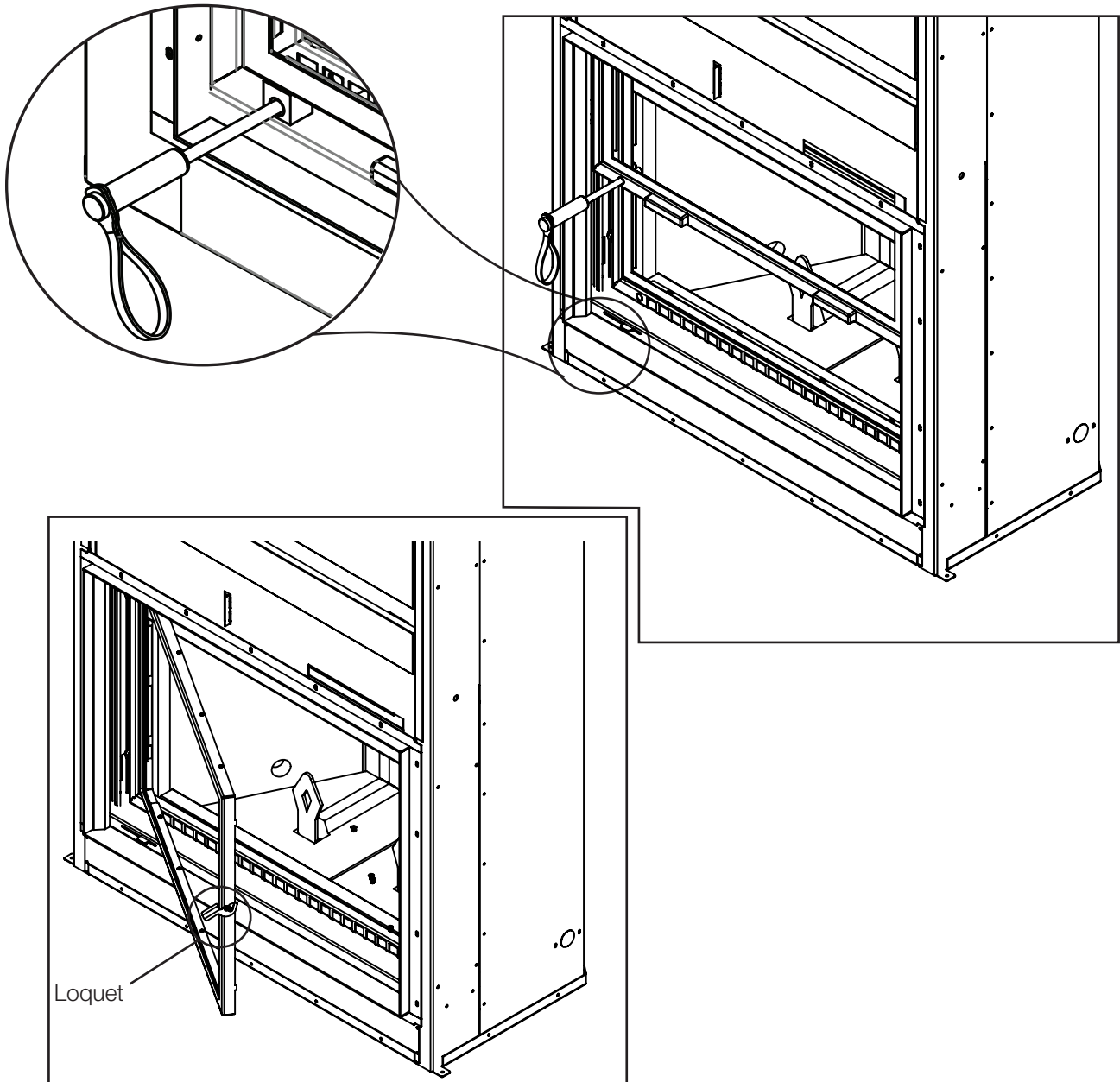
### 6.1 opération de la porte et l'écran

Insérez l'outil de la porte dans le récepteur de l'écran et la porte vitrée dans le coin inférieur gauche pour soulever et abaisser la porte. Lorsqu'elle n'est pas en cours d'utilisation, entreposer dans un location à proximité. Ne laissez pas l'outil de la porte installer durant opération tant qu'il devient extrêmement chaud.

Pour balancer la porte vitrée ouvert, soulevez le loquet sur le côté droit et ouvrez la porte vers l'extérieur.

#### AVERTISSEMENT

- L'appareil aurait fonctionner avec la porte vitrée ou l'écran fermer sauf durant chargement.



#### remarque:

Il est recommandé de fixer la câble sur le haut du cadre de la porte en enlevant la porte ou les cadres d'écran, pour empêcher la hausse rapide des portes.

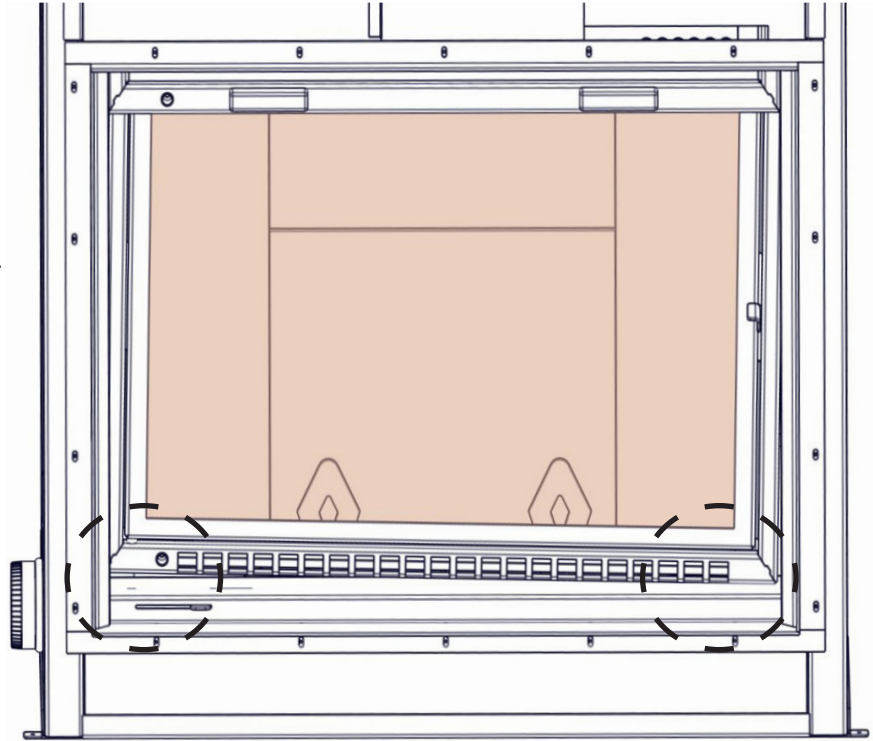
# opération et ajustements

## FR 6.2 réglage du niveau de la porte

### ! AVERTISSEMENT

- N'utilisez pas de matériaux de substitution.
- La vitre peut être chaude, ne touchez pas la vitre jusqu'à ce qu'elle ait refroidi.

Réglage de la porte peut être nécessaire si la porte n'est pas d'aplomb.



#### remarque:

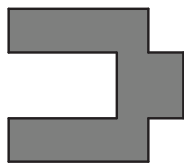
L'écran de sécurité et la porte vitrée sont équipés du même mécanisme de réglage. Si nécessaire, suivez la même procédure de « réglage du niveau de la porte » pour l'écran de sécurité et la porte vitrée.

#### remarque:

Le réglage de la porte est strictement tâtonnements; vous pouvez effectuer ce réglage plusieurs fois jusqu'à ce que l'angle de la porte désirée est atteinte.

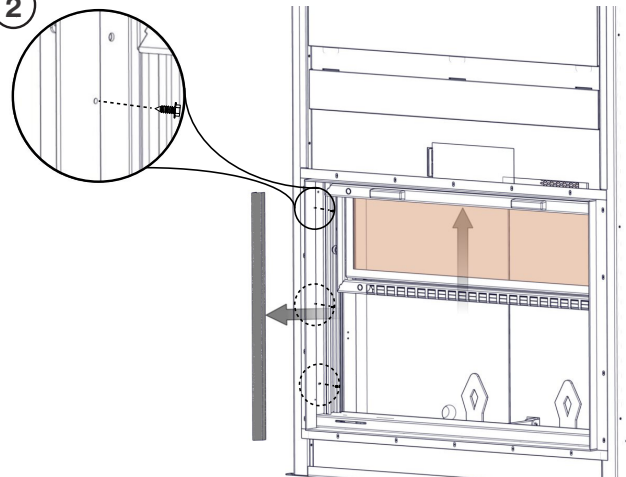
1

Type B x 6

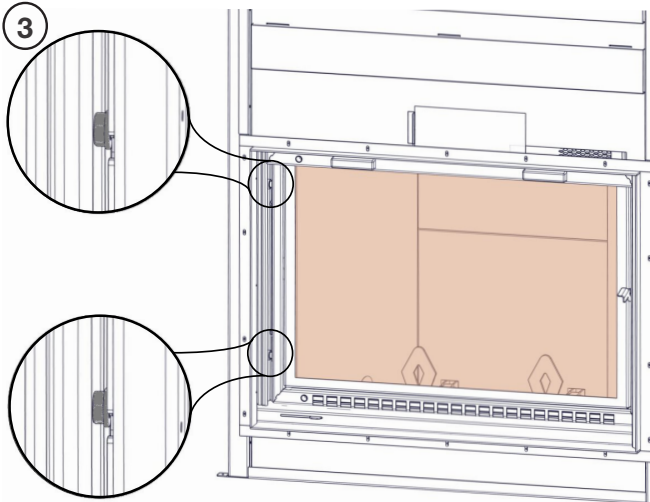


Six (6) cales sont fournies (max. 3 par côté).

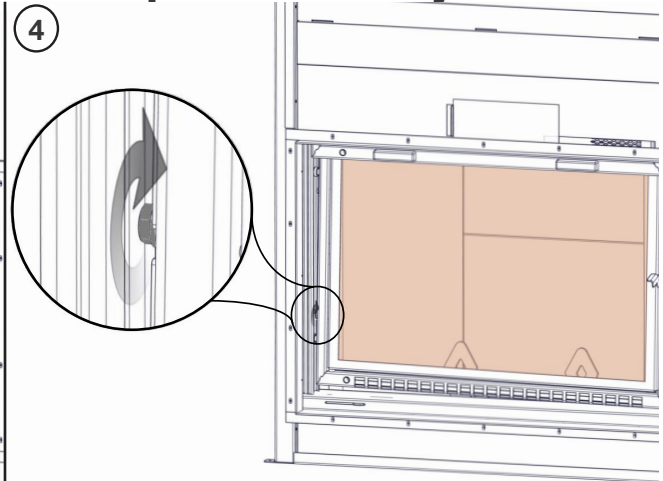
2



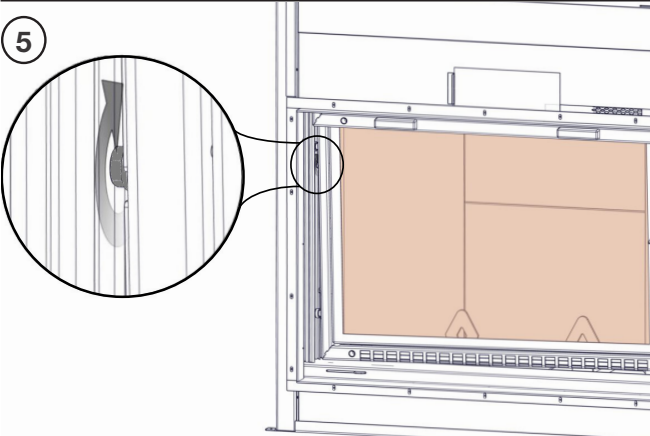
Ouvrez la porte, **desserrez** les trois vis de retenue et retirez la pièce de garniture du côté gauche de l'appareil en la faisant glisser vers l'avant.



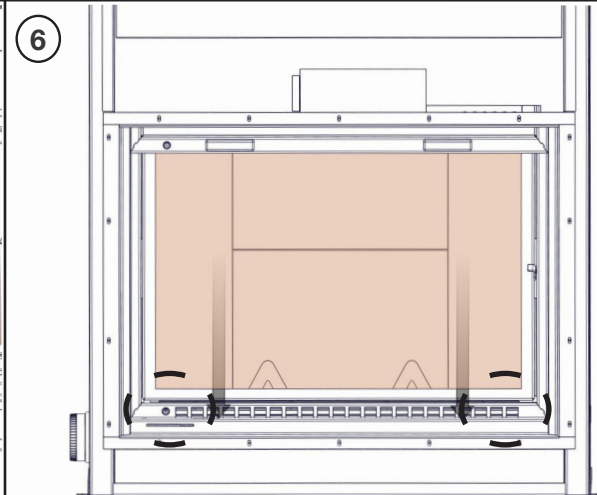
Fermez la porte. Repérez les six vis hexagonales sur le côté gauche de la porte qui maintiennent l'ensemble de charnière.  
**Ne desserrez pas les boulons de la charnière.**



Si le côté gauche de la porte n'est pas appuyé sur le foyer quand la porte est fermée, desserrez fortement la vis hexagonale du bas (mais ne l'enlevez pas).



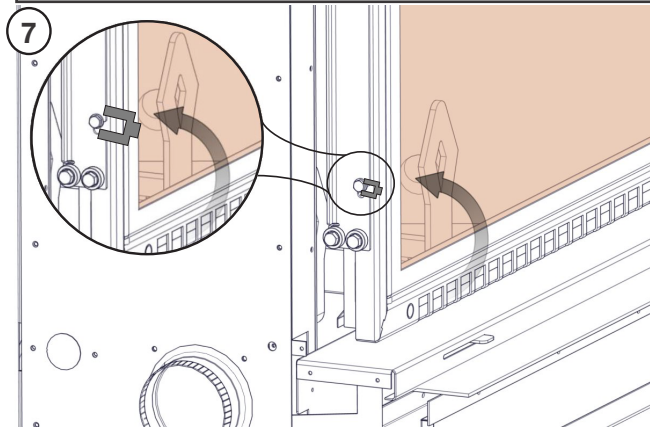
Si le côté droit de la porte n'est pas appuyé sur le foyer quand la porte est fermée, desserrez fortement la vis hexagonale du haut (**mais ne l'enlevez pas**).



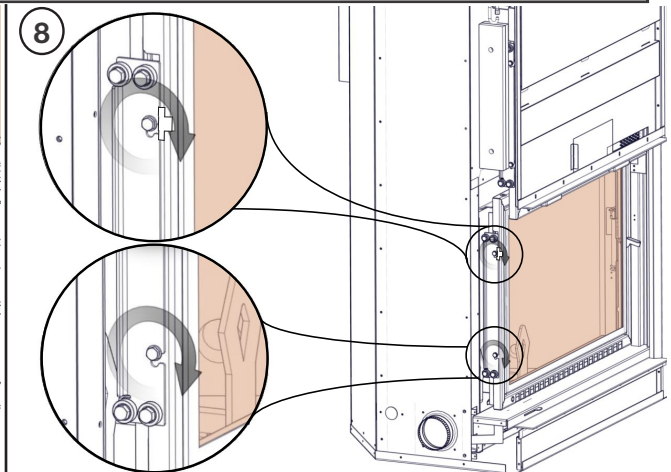
Tirez la porte complètement vers le bas jusqu'à ce qu'elle soit tout à fait appuyée sur le foyer.

**remarque:**

Par souci de clarté, certaines pièces de l'appareil ont été masquées.



Insérez des cales derrière le support de la charnière jusqu'à ce que l'écart soit comblé.



Serrez la vis hexagonale desserrée et assurez-vous que la porte est d'aplomb. Vous pourriez devoir ajouter ou enlever une cale pour obtenir un résultat optimal. **Vous ne devriez jamais avoir à caler à la fois la vis hexagonale du haut et celle du bas.**

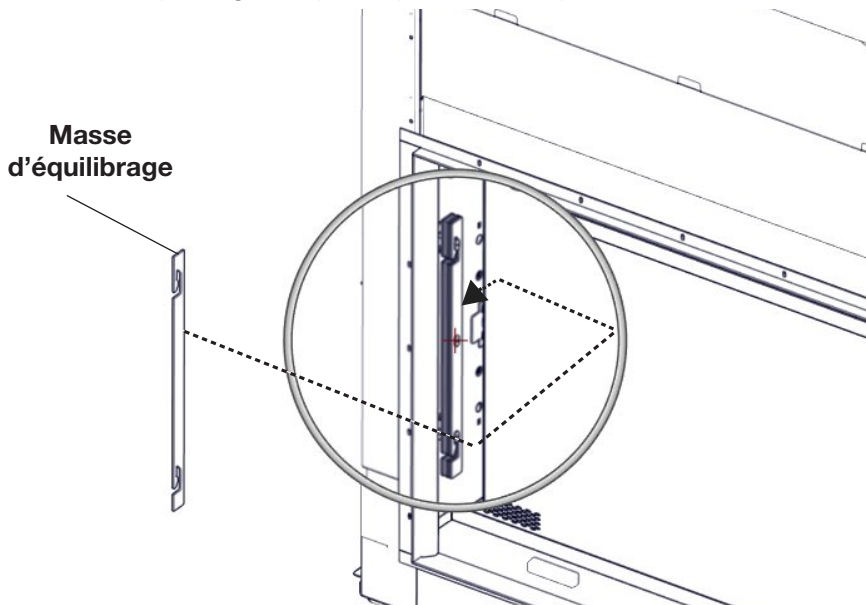
9 Reprenez les instructions de l'étape 2 en sens inverse pour réinstaller la garniture du côté gauche.

# opération et ajustements

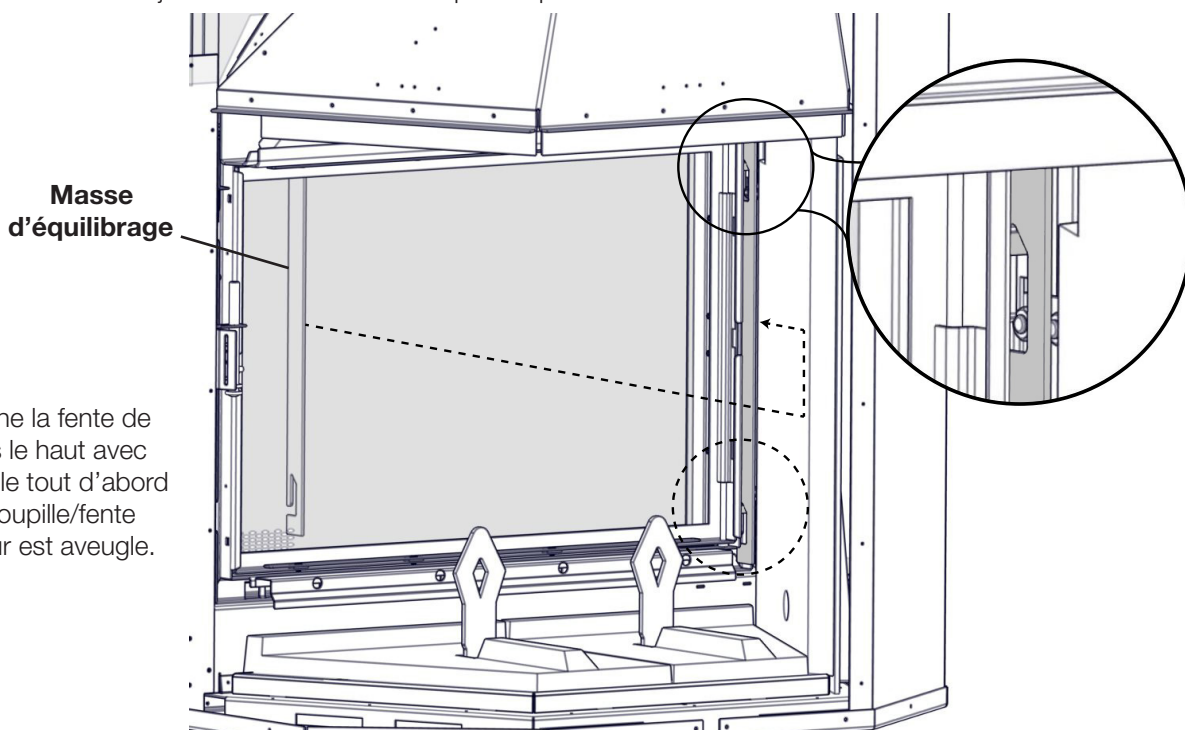
## FR 6.3 réglage des masses d'équilibrage

Masses d'équilibrage ont été ajoutées à cet appareil pour aller à l'encontre du poids de la guillotine à l'arrière de l'appareil, Ils stabilisent l'équilibre entre le mouvement de la porte et de l'écran.

Si la porte vitrée ou la porte d'écran deviennent déséquilibrée (tombe ou augmente rapidement), il est important d'ajuster les masses d'équilibrage des portes pour assurer qu'ils effectuent correctement.



Les masses d'équilibrage de la porte d'écran sont situés sur le cadre principal sur la droite, à l'intérieur du cadre d'écran. Enlever ou ajouter comme nécessaire pour équilibrer.



**TIP:** Ligne la fente de bas vers le haut avec la goupille tout d'abord que la goupille/fente supérieur est aveugle.

### VUE PAR L'ARRIÈRE DU FOYER

Les masses d'équilibrage de la porte vitrée sont situés sur le bâti de verre extérieur du côté gauche. Enlever ou ajouter comme nécessaire pour équilibrer.

### ! AVERTISSEMENT

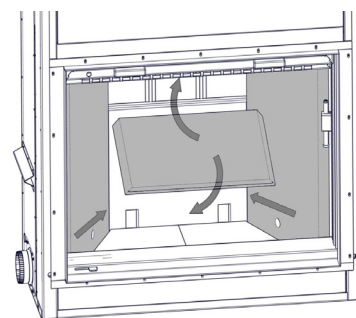
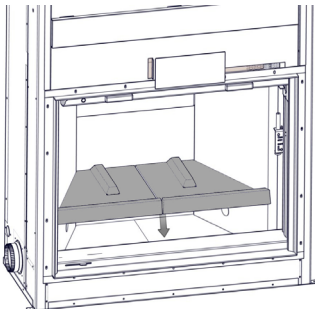
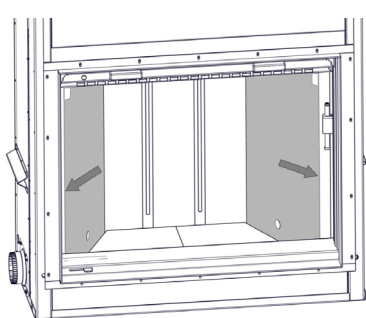
- Risque d'incendie! L'utilisation de l'appareil sans les déflecteurs peut causer des températures excessive qui peuvent endommager l'appareil, la cheminée et l'enceinte.

#### remarque:

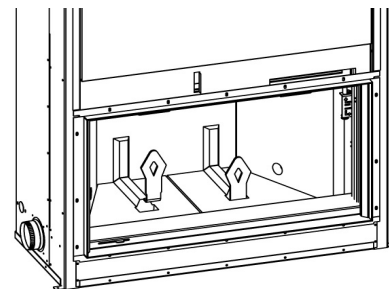
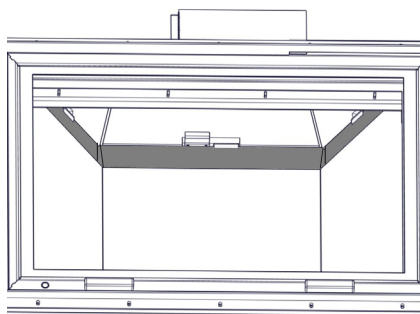
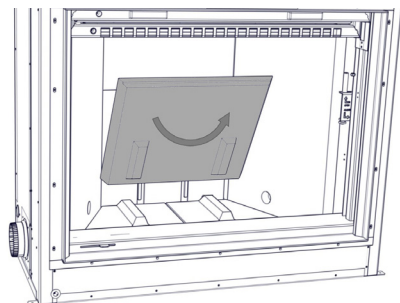
Assurez-vous que les panneaux en fibre installés derrière la brique sont en bon état avant d'installer la brique réfractaire. Si les panneaux de fibre ont besoin d'être remplacés, tenez-les en place ou fixez-les au moyen de ruban-cache jusqu'à ce que la brique réfractaire soit installée.

#### Installation correcte des panneaux latéraux :

Panneaux latéraux auront deux angles distincts de chaque côté de chaque panneau. Le faible angle doit faire face à l'extérieur de l'appareil. L'angle plus raide devrait faire face à l'intérieur de l'appareil et correspondra au panneau adjacent.



1. Inclinez et installez les briques réfractaires arrière de droite et de gauche contre le mur avec les découper vers l'avant. Tirez vers l'avant de l'appareil.
2. Installez les briques réfractaires du bas et tirez vers l'avant jusqu'à la brique réfractaire arrière est installée.
3. Inclinez et installez la brique réfractaire arrière du bas contre le mur.



4. Installez la brique réfractaire arrière supérieur du milieu.
5. Positionnez les deux panneaux de fibre latéraux et le panneau arrière (expédié dans la boîte de l'appareil), puis fixez-les au moyen des supports de retenue fournis.
6. Au moyen des vis fournies, fixez les bornes de chenet (expédié dans la boîte de l'appareil) en place.

# opération et ajustements

FR

## 7.2 installation des déflecteurs

Votre appareil est expédié avec deux déflecteurs. À titre de protection, le déflecteur arrière est livré dans la boîte de l'appareil, alors que le déflecteur avant est livré déposé sur la base du foyer à l'intérieur de l'appareil. Pour que l'appareil soit installé et fonctionne correctement, le déflecteur arrière devrait être appuyé sur l'arrière de la chambre à fumée, et le déflecteur avant devrait être appuyé contre l'avant de la chambre à fumée.

1. Pour installer le déflecteur arrière (Fig. 1), inclinez et déplacez le déflecteur dans la chambre à fumée jusqu'à ce qu'il ait dépassé le support du haut au fond de l'appareil.
2. Placez le déflecteur sur les supports du haut et appuyez-en le bas contre le support au fond de la chambre à fumée.

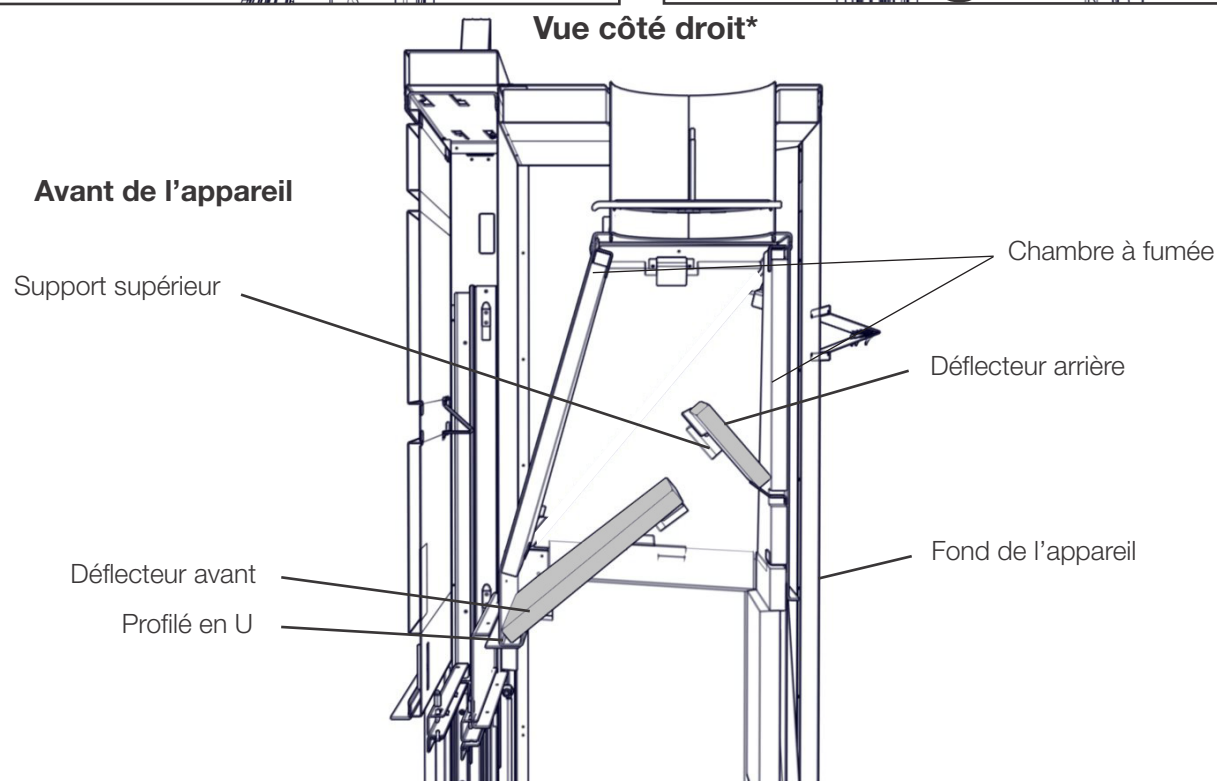
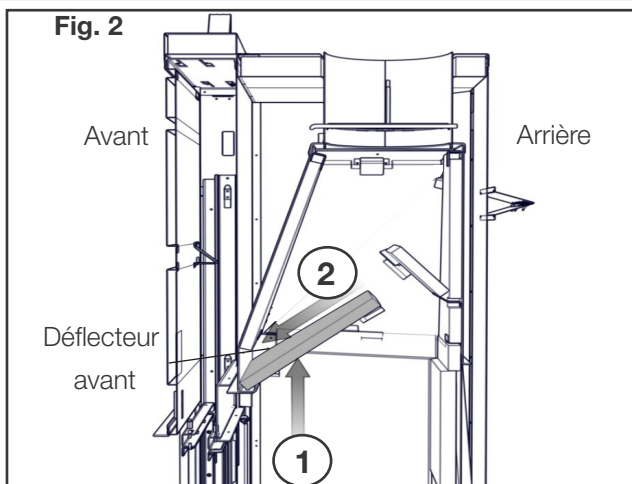
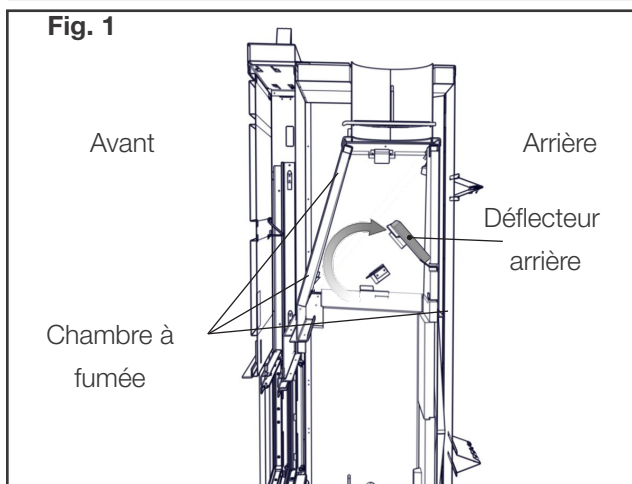
### remarque:

La partie la plus étroite du déflecteur arrière doit être appuyée sur le fond de la chambre à fumée.

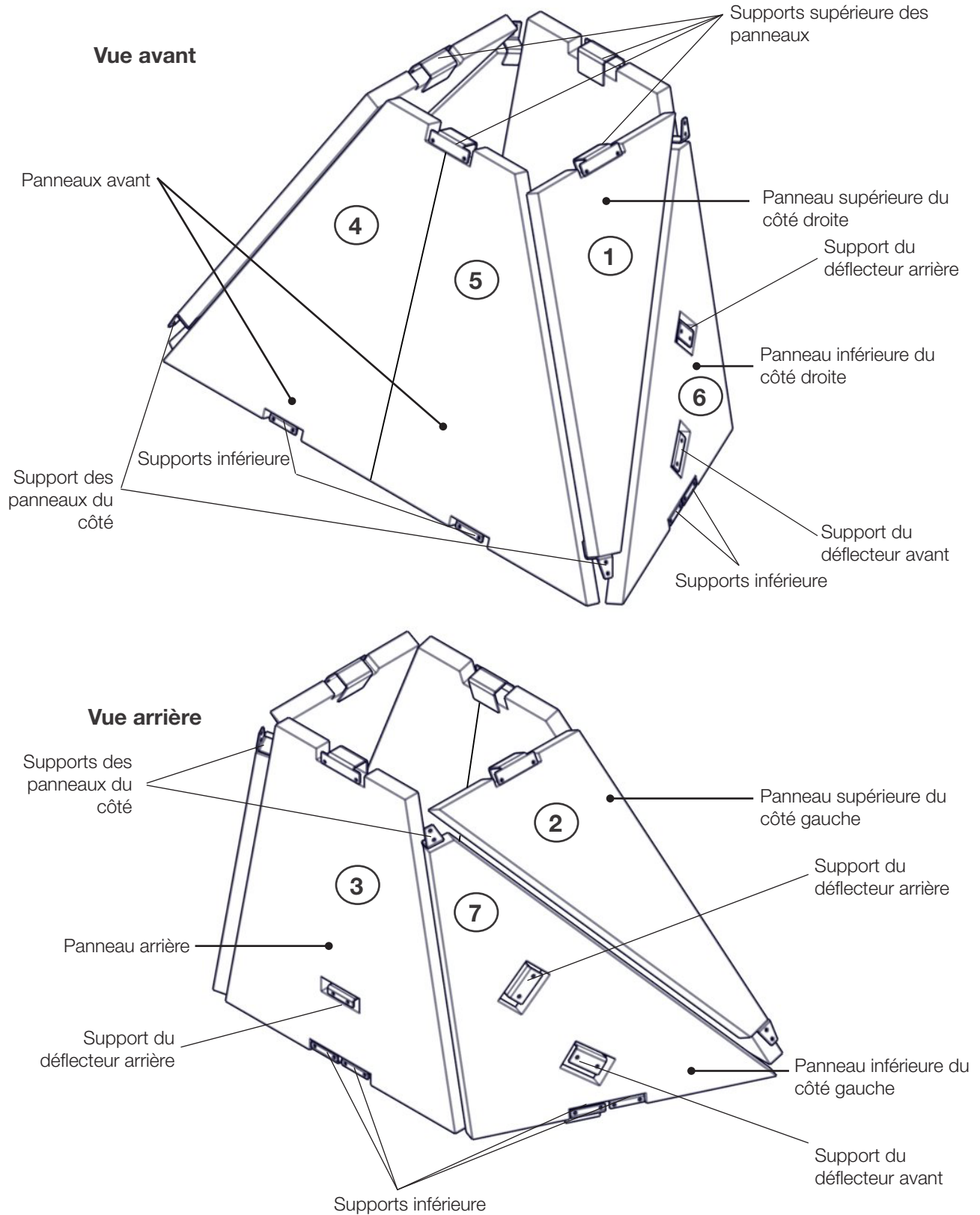
3. Pour installer le déflecteur avant (Fig. 2), glissez-le à la verticale vers l'avant de la chambre à fumée.
4. Lorsque le bas du déflecteur a dépassé le profilé en U, faites glisser le bas du déflecteur dans le profilé.
5. Appuyez le haut du déflecteur sur les supports. Glissez le déflecteur pour le centrer.

### remarque:

Le point le plus large du déflecteur doit être appuyé contre l'avant de la chambre à fumée.



## 7.3 vue d'ensemble des panneaux d'isolation de la chambre à fumée



**note:**

Les panneaux d'isolation de la chambre à fumée sont fragiles. Manipulez-les avec soin.

# opération et ajustements

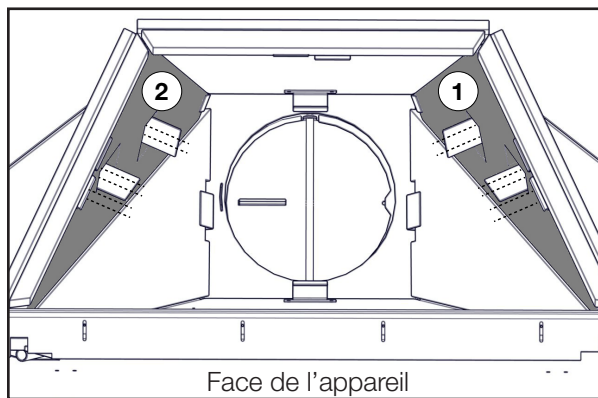
FR

## 7.4 installation des panneaux d'isolation de la chambre à fumée

### remarque:

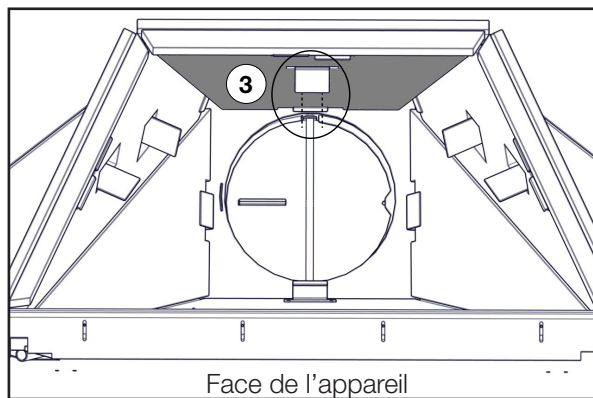
Par souci de clarté, certaines pièces de l'appareil ont été masquées. Les illustrations ci-dessous sont des vues regardant jusqu'à l'haut de la chambre à fumée.

1. Faites glisser le déflecteur avant vers le haut pour le sortir du support et inclinez-le vers le bas pour le sortir de la chambre à fumée. Répétez pour le déflecteur arrière.



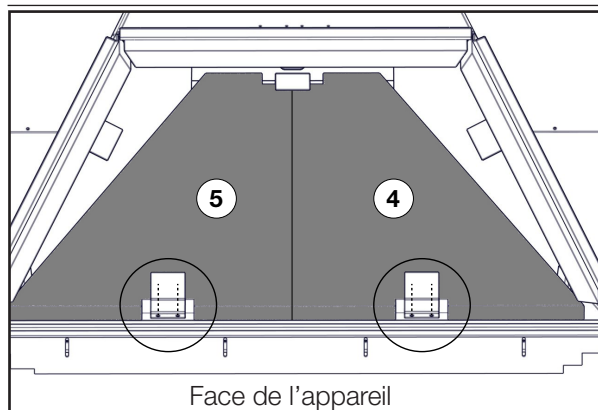
Face de l'appareil

2. Enlevez les deux vis des 3 supports puis glissez le panneau supérieur du côté droite (1). Répétez pour le panneau supérieur du côté gauche (2).



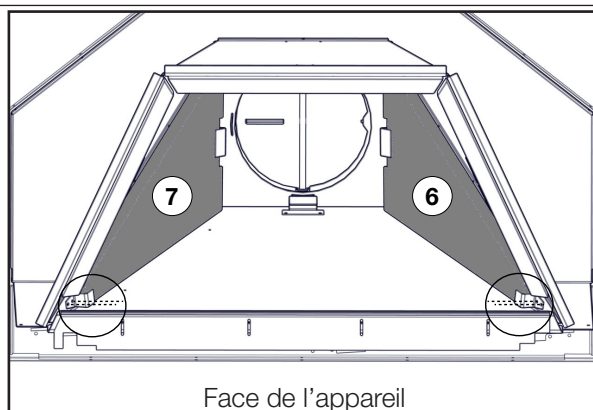
Face de l'appareil

3. Enlevez les deux vis du support du déflecteur arrière et glissez le panneau arrière (3) hors de la chambre à fumée.



Face de l'appareil

4. Enlevez les deux vis du support inférieure et glissez le panneau avant droit (4) hors de la chambre à fumée. Répétez pour le panneau avant gauche (5).



Face de l'appareil

5. Enlevez les deux vis du support inférieure puis glissez le panneau inférieur du côté droite (6) hors de la chambre à fumée. Répétez pour le panneau inférieur du côté gauche (7).

### note:

Pour faciliter l'installation, nous recommandons simplement installer les supports des panneaux du côté et avant en place puis installer les panneaux avant de serrer les attaches complètement.

6. Glissez le panneau inférieur du côté gauche dedans la chambre à fumée et installez le support enlever dans étape 5. Répétez pour le panneau inférieur du côté droite.
7. Glissez les panneaux avant dedans la chambre à fumée et installez le support enlever en étape 4.
8. Glissez le panneau d'arrière dedans la chambre à fumée et installez le support enlever en étape 3.
9. Glissez le panneau supérieur du côté droite dedans la chambre à fumée et installez le support enlever en étape 2. Répétez pour le panneau supérieur du côté gauche.
10. Glissez le déflecteur arrière dans la chambre à fumée et installez le support enlever en étape 1. Répétez pour le déflecteur avant.

### note:

Les panneaux d'isolation de la chambre à fumée sont fragiles. Manipulez-les avec soin.



## 7.5 remplacement de verre porte

### ! AVERTISSEMENT

- N'utilisez pas de matériaux de substitution.
- La vitre peut être chaude, ne touchez pas la vitre jusqu'à ce qu'elle ait refroidi. Utilisez de prudence lorsque vous enlevez et jetez des débris de verrie ou des composants endommagés.
- Assurez-vous d'aspirer tous les débris de verre à l'intérieur de l'appareil avant de le faire fonctionner.
- Ne frappez pas ne claquez pas et n'égratignez pas la porte vitrée. Ne faites pas fonctionner l'appareil lorsque la porte vitrée est enlevée, fissurée, brisée ou égratignée.

**1. Lorsque vous retirerez la vitre, le cadre de porte se soulèvera immédiatement; soyez prudent. Il est recommandé de placer une cale entre le haut du cadre de la porte et le cadre de l'appareil pour éviter d'endommager le cadre de porte.**

**2.** Soulevez l'écran vers le haut dans l'appareil.  
**3.** Abaissez la porte vitrée vers le bas et déverrouillez-la. Faites pivoter la porte vitrée pour l'ouvrir.

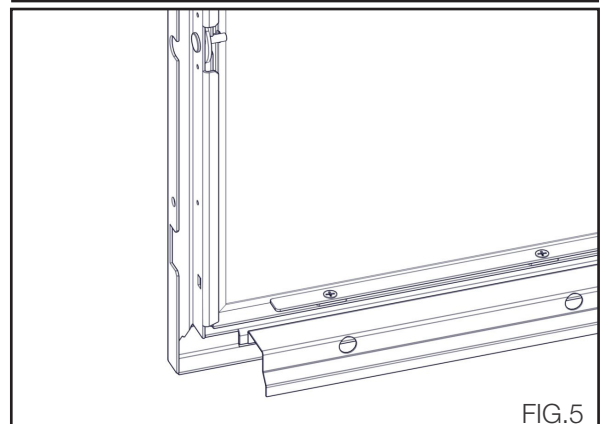
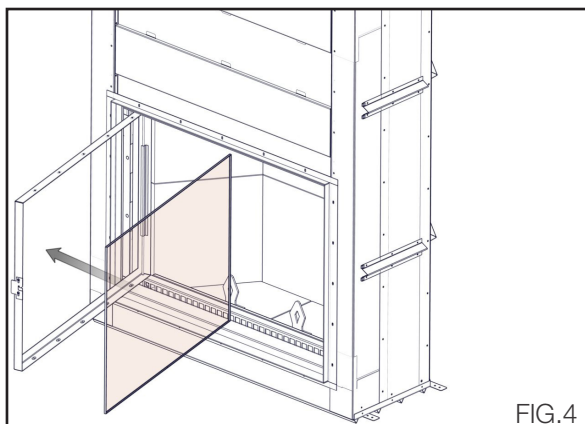
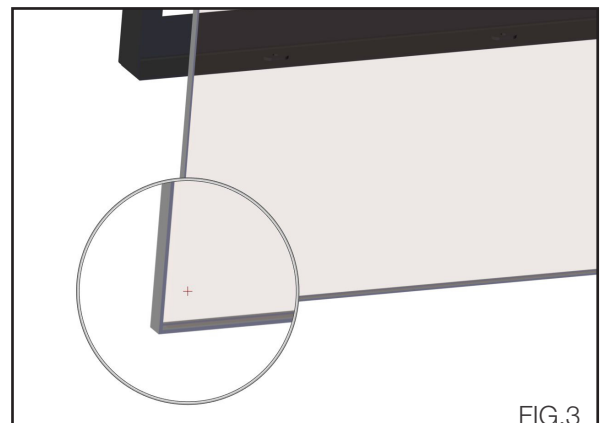
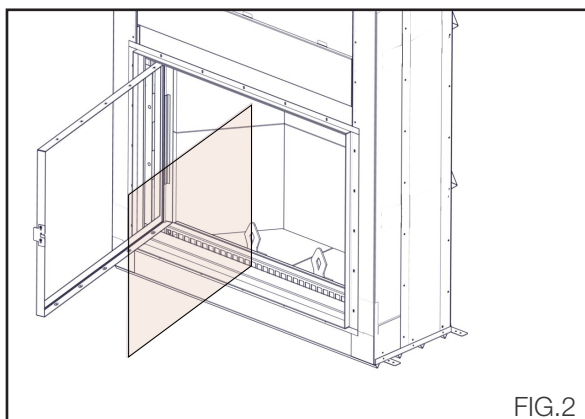
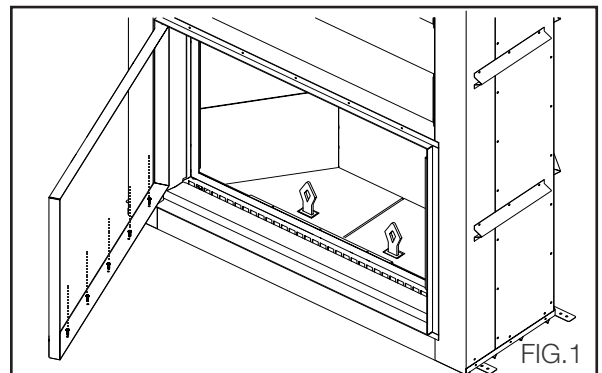
**4.** Dévissez les dispositifs de retenue supérieurs et inférieurs à l'intérieur du cadre de porte. (FIG.1)

**5.** Retirez la vitre du cadre de porte. (FIG.2)

**6.** Centrez et appliquez le joint d'étanchéité sur le bord de la vitre. Assurez-vous que le joint d'étanchéité forme une boucle continue autour du périmètre de la vitre de remplacement. (FIG.3)

**7.** Réinstallez la vitre à l'intérieur du cadre du porte. (FIG.4)

**8.** Repositionnez les dispositifs de retenue supérieurs et inférieurs à l'aide des vis retirées à l'étape 4). Assurez-vous que les dispositifs de retenue sont bien positionnés. (FIG.5)



## 7.6 remplacement de l'écran

### **! AVERTISSEMENT**

- Risque de blessure!
- N'effectuez le remplacement qu'une fois l'appareil refroidi.
- Retirez toutes les braises et cendres du foyer.
- Retirez les bornes de chenet.

1. **Lorsque vous retirerez l'écran, celui-ci se soulèvera immédiatement; soyez prudent. Il est recommandé de demander à une autre personne de vous aider à tenir la porte de l'écran lorsque vous en retirez le cadre.**
2. Soulevez l'écran. Abaissez l'écran depuis l'intérieur de l'appareil (Fig. 1).
3. Retirez les 10 vis du haut et du bas et les 8 vis latérales (Fig. 2).
4. Retirez l'écran du cadre et remplacez-le.
5. Reprenez les étapes précédentes en sens inverse pour réinstaller le cadre de l'écran dans l'appareil.
6. Si la porte de l'écran devient déséquilibrée, reportez-vous à la section « Réglage du contrepois ».

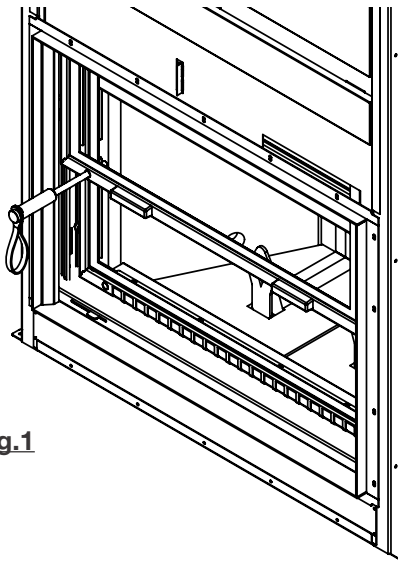


fig.1

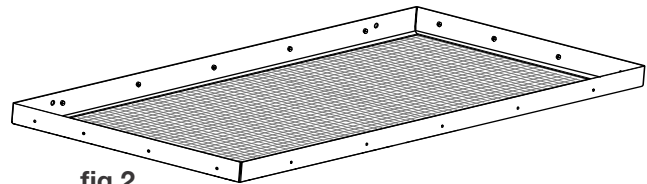


fig.2

#### **remarque:**

Ne laissez pas la porte entrouverte. Assurez-vous que les contrepois sont équilibrés et que les portes ferment bien.

**! AVERTISSEMENT**

- Omettre de positionner les pièces conformément à ce manuel ou d'utiliser uniquement des pièces spécifiquement approuvées pour cet appareil peut causer des dommages matériels ou des blessures corporelles.

Contactez votre détaillant pour les questions concernant les prix et la disponibilité des pièces de remplacement. Normalement, toutes les pièces peuvent être commandées chez votre détaillant autorisé.

**Pour un remplacement de pièce sous garantie, une photocopie de la facture originale sera requise afin de pouvoir honorer la demande.**

Lorsque vous commandez des pièces, donnez toujours l'information suivante:

- Modèle et numéro de série de l'appareil
- Date d'installation de l'appareil
- Numéro de la pièce
- Description de la pièce
- Fini

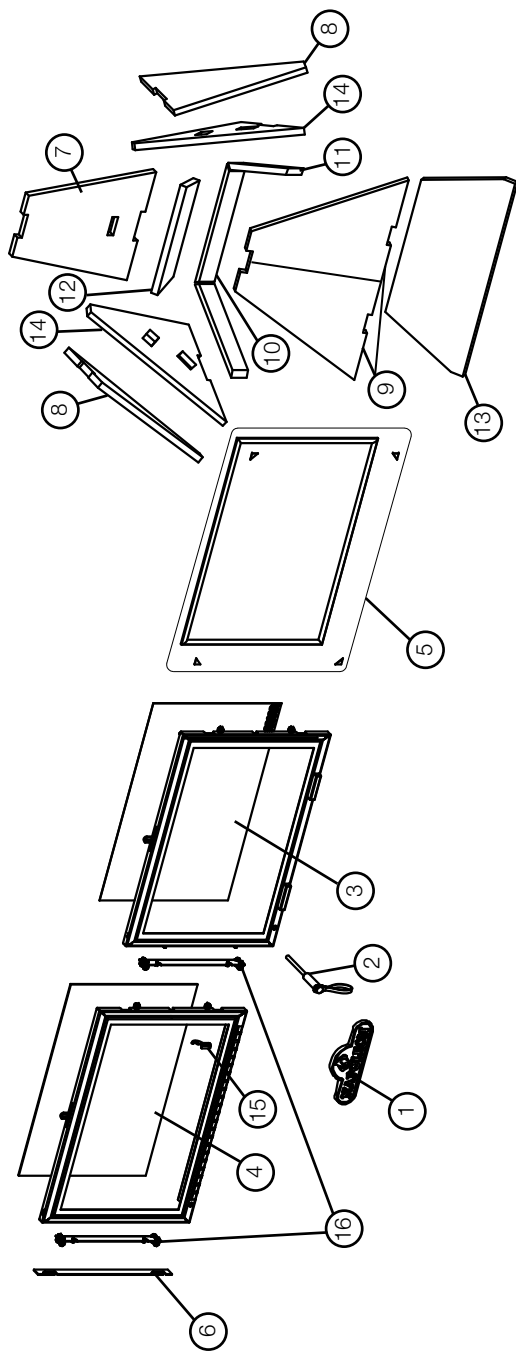
**Pièces, numéro des pièces et s'il soit disponible peut changer sans préavis.**

**Parties identifiées comme garnie seront livrés dans 2 à 5 jours pour la plupart des destinations de livraison.**

**Pièces non identifiées que stockés seront livrés dans un délai de 2 à 4 semaines pour la plupart des cas.**

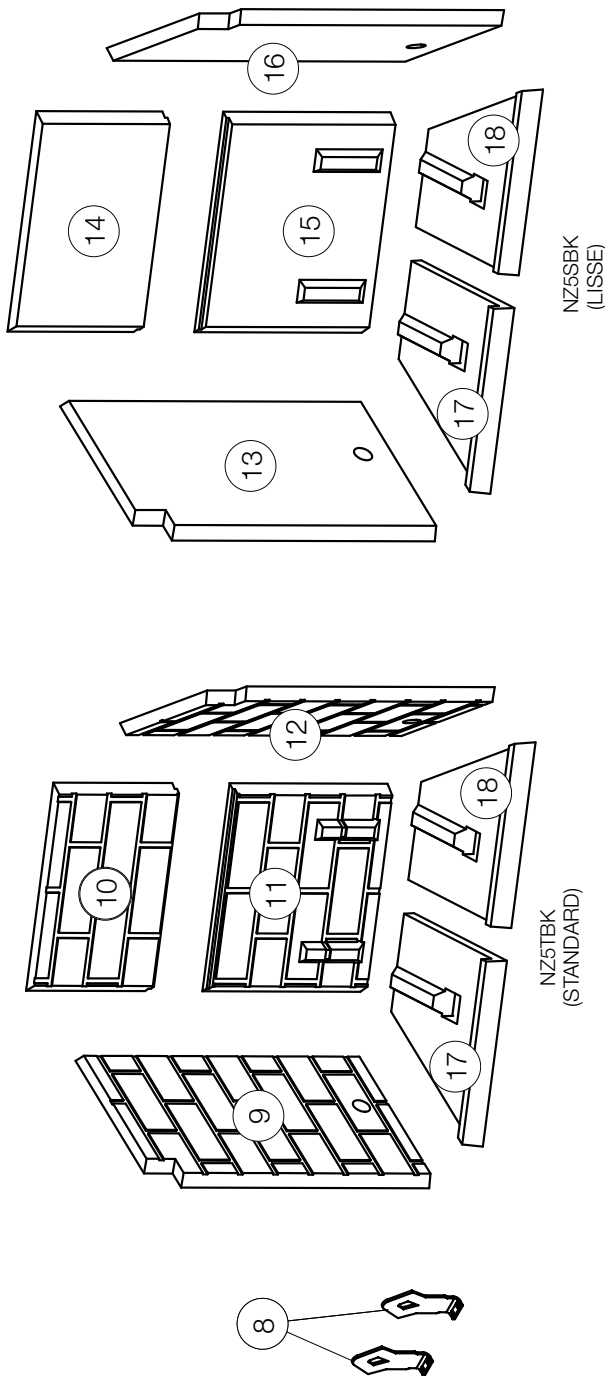
**Pièces identifiées comme « SO » sont commande spéciale et peuvent prendre jusqu'à 90 jours pour la livraison.**

## 8.1 vue d'ensemble



Ces articles peut différer de celle illustré.

N° réf.	Numéro de pièce	Description	En stock	N° réf.	Numéro de pièce	Description	En stock
1	W385-2010	Logo Napoléon	Oui	9	W361-0285	Panneaux avant	Oui
2	W325-0086	Poignée de bois	Oui	10	W361-0290	Isolation sup. arrière du caisson	Oui
3	W565-0238	Écran	Oui	11	W361-0291	Isolation sup. latérale du caisson	Oui
4	W010-4273-SER	Ensemble de la porte		12	W361-0302	Défecteur arrière	Oui
5	W562-0068	Ensemble de joint d'étanchéité de rechange	Oui	13	W361-0303	Défecteur avant	Oui
6	W740-0015	Contreponds de réglage de la porte	Oui	14	W361-0282	Panneaux inférieure	Oui
7	W361-0283	Panneau arrière	Oui	15	W390-0032	Loquet de porte vitrée	Oui
8	W361-0284	Panneaux supérieure	Oui	16	W010-4115	Charnière de porte, ensemble	

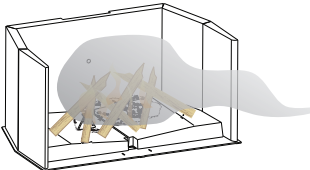
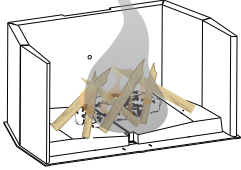


Ces articles peut différer de celle illustré.

N° réf.	Numéro de pièce	Description	En stock
8	W715-1157	Bornes de chenet (X2)	
9	W090-0329	Panneau de brique standard côté droite (NZ5TBK)	
10	W090-0324	Panneau de brique standard centre haut (NZ5TBK)	
11	W090-0325	Panneau de brique standard centre bas (NZ5TBK)	
12	W090-0327	Panneau de brique standard côté gauche (NZ5TBK)	
13	W090-0337	Panneau lisse côté gauche (NZ5SBK)	
14	W090-0332	Panneau lisse centre haut (NZ5SBK)	
15	W090-0333	Panneau lisse centre bas (NZ5SBK)	
16	W090-0335	Panneau lisse côté droite (NZ5SBK)	
17	W090-0322	Panneau lisse côté gauche bas	
18	W090-0323	Panneau lisse côté droite bas	

# 10.0 guide de dépannage

FR

symptôme	problème	solutions
De la fumée se répand dans la pièce durant l'allumage.	Fermé registre d'air	- Registre d'air ouvert.
	Blocage d'air froid dans la cheminée.	- Brûlez un morceau de papier journal pour créer un tirage.
	Les portes sont fermées.	- Si le feu ne reçoit pas suffisamment d'air, assurez-vous d'abord que le levier du contrôle de combustion est ouvert. Si plus d'air est nécessaire, ouvrez les portes légèrement, l'équivalent d'une petite fente seulement.
	Le registre d'air extérieur ouvert.	- Fermer registre.
De la fumée se répand dans la pièce lors du rechargement	Fermé registre d'air	- Nettoyage cheminée
	Tirage insuffisant.	- La hauteur de la cheminée et les conditions extérieures peuvent nuire au tirage. Dans ces cas, il est possible qu'une petite quantité de fumée puisse refouler dans la maison. Augmenter la hauteur de la cheminée ou ajouter un chapeau à tirage induit peut aider. - Nettoyez la cheminée.
L'appareil fume.	Le registre d'air extérieur ouvert.	- Fermer registre.
	Fermé registre d'air	- Registre d'air ouvert
	Cheminée froide	- Graver un morceau de papier pour établir un projet, alimenter nécessaires pour établir une flamme chaude.
	Offre insuffisante d'air de combustion	- Hauteur de la cheminée et en dehors de conditions peuvent nuire au tirage. Dans ces cas, une petite quantité de fumée peut entrer dans la maison. Ajout de plus de tuyau ou un chapeau à tirage induit peut aider.
	Le registre d'air extérieur ouvert.	- Fermer amortisseur.
	Le passage de fumée est bloqué dans l'appareil ou de la cheminée.	- Vérifiez cheminée pour blocage et claire si nécessaire. -
	Le débit de fumée entravée par une trop longue d'un tuyau horizontal ou trop de coudes.	- Reporter à la section « INSTALLATION TYPIQUE DE LA CHEMINÉE » pour les coudes de cheminée propres à.
	Un tirage faible causé par une cheminée non hermétique, une cheminée extérieure froide, trop court d'une cheminée ou une cheminée trop près d'un arbre ou un toit plus élevé.	- Hauteur de la cheminée et en dehors de conditions peuvent nuire au tirage. Dans ces cas, une petite quantité de fumée peut entrer dans la maison. Ajout de plus de tuyau ou un chapeau à tirage induit peut aider. Reporter à la section « INSTALLATION TYPIQUE DE LA CHEMINÉE » pour les coudes de cheminée propres à.

Les produits **Napoléon** sont fabriqués conformément aux normes strictes du Système de Gestion de la Qualité mondialement reconnu ISO 9001 : 2015.

Les produits **Napoléon** sont conçus avec des composants et des matériaux de qualité supérieure, assemblés par des artisans qualifiés qui sont fiers de leur travail. Une fois assemblé, chaque appareil est soigneusement inspecté par un technicien qualifié avant d'être emballé pour garantir que vous, le client, recevez le produit de qualité dont vous vous attendez de **Napoléon**.

## Garantie à Vie Limitée du Président des appareils à bois Napoléon

Les matériaux suivants et la fabrication de votre nouveau poêle à bois **Napoléon** sont garantis contre les défauts tant que vous en êtes le propriétaire. Pour les appareils aux granules ceci couvre: le réservoir à granules, le caisson extérieur, la vitre en céramique (cassure thermique seulement) et le tiroir à cendres.\* Pour les appareils à bois ceci couvre: la chambre de combustion, l'échangeur de chaleur, l'attache du déflecteur en acier inoxydable, la vitre en céramique (cassure thermique seulement), les pièces plaquées or contre le ternissement, les composants en porcelaine émaillée, les moulures d'extrusion en aluminium, déflecteurs vortex, le tiroir à cendres et les pièces moulées en fonte.\*

Pour l'appareil aux granules la chambre de combustion et l'échangeur de chaleur sont garantis contre les défauts pour une période de 5ans. Pour les appareils à bois équipée avec une système de guillotine du porte/écran il sera garanti contre les défauts pour une période de 5ans.

Les composants électriques (110V) et les pièces soumises à l'usure sont couverts et **Napoléon** fournira gratuitement les pièces de rechange durant la première année de la garantie limitée. Pour les appareils aux granules ceci couvre: la soufflerie, l'interrupteur thermique et le tiroir à cendres.\* Pour les appareils à bois ceci couvre: la soufflerie, l'interrupteur thermique, les interrupteurs, l'installation électrique, les briques réfractaires, tuyaux d'air secondaires et les joints d'étanchéité.\*

Les coûts de main-d'oeuvre relatifs aux réparations garanties sont couverts gratuitement durant la première année, avec l'exception du système de guillotine du porte/écran qui sera couverts gratuitement pour une période de 3 ans. Cependant, les travaux de réparation nécessitent l'approbation préalable d'un représentant autorisé de la compagnie. Les coûts de main-d'oeuvre à la charge de **Napoléon** sont basés sur un programme de tarifs prédéterminés et tout travail de réparation doit être accompli par l'entremise d'un détaillant autorisé **Napoléon**.

Les pièces telles que les briques réfractaires et les déflecteurs devraient être retirées occasionnellement par l'opérateur dans le cadre d'un entretien normal. Par conséquent, les coûts de main-d'oeuvre associés au remplacement de l'une de ces pièces ne sont pas couverts par la garantie.

\* La fabrication de chaque modèle varie. La garantie s'applique uniquement aux composants disponibles avec votre appareil.

## Conditions et Limitations

**Napoléon** garantit ses produits contre les défauts de fabrication à l'acheteur d'origine seulement. L'enregistrement de la garantie n'est pas nécessaire. Fournissez simplement une preuve d'achat ainsi que le modèle et le numéro de série afin d'effectuer une réclamation de garantie. L'achat doit avoir été fait par l'entremise d'un détaillant **Napoléon** autorisé et sous réserve des conditions et limitations suivantes:

La couverture de la garantie débute à partir de la date d'installation originale.

Cette garantie du fabricant n'est pas transférable et ne peut être prolongée ou étendue par aucun de nos représentants quelle qu'en soit la raison.

L'appareil à bois doit être installé par un installateur autorisée qualifiée, une agence de service ou fournisseur. L'installation doit être faite conformément aux instructions d'installation incluses avec le produit et à tous les codes d'incendie et de construction locaux et nationaux.

Cette garantie limitée ne couvre pas les dommages causés par un mauvais usage, un manque d'entretien, un accident, des altérations, des abus ou de la négligence, et l'installation de pièces d'autres fabricants annulera cette garantie.

Cette garantie limitée ne couvre pas les dommages causés par un mauvais usage, un manque d'entretien, un accident, des altérations, des abus ou de la négligence, et l'installation de pièces d'autres fabricants annulera cette garantie.

Faire fonctionner l'appareil au réglage maximal pendant des périodes prolongées constitue de la négligence. L'installation de pièces d'autres fabricants annulera cette garantie.

Cette garantie limitée ne couvre pas non plus les égratignures, le bossellement, la corrosion ou la décoloration causée par une chaleur excessive, des produits d'entretien chimiques et abrasifs ou l'écaillage des pièces en porcelaine émaillée, le bris de tout composant de ventilation utilisé dans l'installation de l'appareil.

Au cours de la première année seulement, cette garantie s'étend à la réparation ou au remplacement des pièces garanties dont les matériaux ou la fabrication sont défectueux sous condition que le produit ait été utilisé conformément aux instructions de fonctionnement et dans des conditions normales.

Après la première année, concernant cette Garantie à Vie Limitée du Président, **Napoléon** peut, à sa discrétion, se libérer entièrement de toutes obligations en ce qui concerne cette garantie en remboursant à l'acheteur d'origine le prix de gros de toute pièce garantie qui est défectueuse.

Après la première année, **Napoléon** ne sera pas responsable de l'installation, de la main-d'oeuvre ou autres coûts ou dépenses relatives à la réinstallation d'une pièce garantie et de telles dépenses ne sont pas couvertes par cette garantie.

Nonobstant toutes les dispositions contenues dans cette Garantie à Vie Limitée du Président, la responsabilité de **Napoléon** sous cette garantie est définie comme ci-dessus et elle ne s'étendra à aucun dommage accidentel consécutif ou indirect.

Cette garantie définit l'obligation et la responsabilité de **Napoléon** en ce qui concerne l'appareil à bois **Napoléon**. Toute autre garantie énoncée ou implicite en ce qui concerne ce produit, ses composants ou accessoires est exclue.

**Napoléon** n'endosse ni n'autorise aucun tiers à assumer en son nom toute autre responsabilité concernant la vente de ce produit. **Napoléon** ne sera pas responsable d'une surchauffe, des refoulements, des déversements causés par des conditions environnementales telles que des toits, des bâtiments, la proximité d'arbres, de collines, de montagnes, une ventilation ou des événements inadéquats, des configurations d'évacuation excessives, un apport d'air insuffisant ou des pressions négatives qui peuvent ou non être causés par des systèmes mécaniques tels que les ventilateurs d'évacuation, les fournaies, les sèche-linge, etc.

Tout dommage causé à l'appareil, à la chambre de combustion, à l'échangeur de chaleur, aux garnitures plaquées ou autres composants par l'eau, les dommages causés par les intempéries, de longues périodes d'humidité, la condensation, des produits chimiques ou produits d'entretien nuisibles ne seront pas la responsabilité de **Napoléon**.

Le nettoyage régulier de la fine cendre générée durant le fonctionnement de cet appareil est nécessaire au bon entretien de votre appareil aux granules. Tout dommage aux composants qui est attribuable à un manque d'entretien ne sera pas couvert par cette garantie.

**Napoléon** se réserve le droit de demander à son représentant d'inspecter tout produit ou pièce avant d'honorer toute réclamation.

Toutes les pièces remplacées en vertu de la politique de Garantie à vie limitée du Président ne peuvent faire l'objet que d'une seule réclamation.

Durant les dix premières années, **Napoléon** remplacera ou réparera les pièces défectueuses qui sont couvertes par la garantie à vie limitée à sa discrétion gratuitement. Après les dix premières années, **Napoléon** fournira les pièces de rechange à 50 % du prix de détail courant.

Toutes les pièces remplacées au titre de la garantie seront couvertes pour une période de 90 jours à partir de leur date d'installation.

Le fabricant peut exiger que les pièces défectueuses ou les produits soient retournés ou que des photos numériques soient fournies pour valider la réclamation. Les produits retournés doivent être expédiés port payé au fabricant pour une inspection en usine. Si un produit est déclaré défectueux, le fabricant le réparera ou le remplacera.

Avant d'expédier votre appareil ou les pièces défectueuses, votre détaillant doit obtenir un numéro d'autorisation. Toute marchandise expédiée à notre usine sans autorisation sera refusée et retournée à l'expéditeur.

Les coûts d'expédition ne sont pas couverts par cette garantie.

Des frais de service supplémentaires peuvent être appliqués si vous cherchez à obtenir des services au titre de la garantie auprès d'un détaillant.

Les indemnités de main-d'oeuvre au titre de la garantie s'appliquent uniquement pour le remplacement d'une pièce garantie. Les frais de déplacement, de tests de diagnostic, d'expédition et autres frais afférents ne sont pas couverts par cette garantie.

Toutes les spécifications et les conceptions sont sujet à modifications sans préavis en raison des améliorations constantes apportées au produit.

**Napoléon** est une marque de commerce déposée de Wolf Steel Ltée.

# NAPOLÉON CÉLÈBRE PLUS DE 40 ANS D'EXISTENCE CONSACRÉS À LA CONCEPTION DE PRODUITS DE CONFORT



7200, Route Transcanadienne, Montréal, Québec H4T 1A3  
24 Napoleon Road, Barrie, Ontario, Canada L4M 0G8  
214 Bayview Drive, Barrie, Ontario, Canada L4N 4Y8  
103 Miller Drive, Crittenden, Kentucky, USA 41030

Téléphone: 1-866-820-8686  
[napoleonproducts.com](http://napoleonproducts.com)