

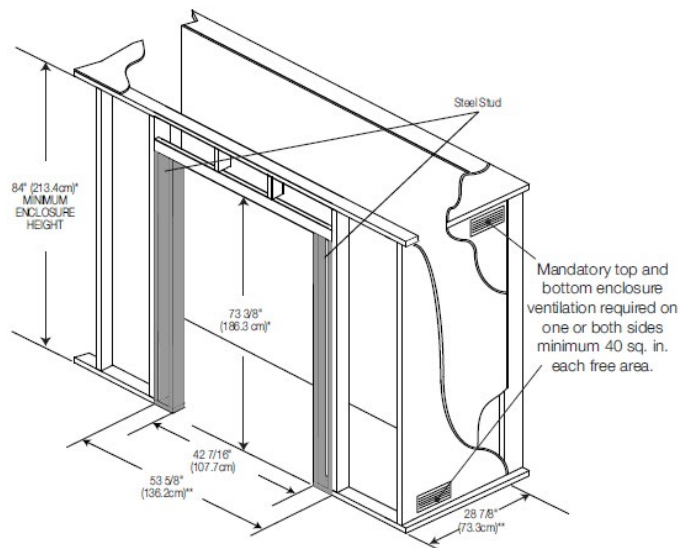
## Specifications

Model	BTU	Width		Height		Depth		Glass
		Actual	Framing	Actual	Framing	Actual	Framing	
NZ5000-T	N/A	41 15/16	42 7/16	67 3/8	73 3/8	29 3/4	28 7/8	36 5/8 X 26 5/8

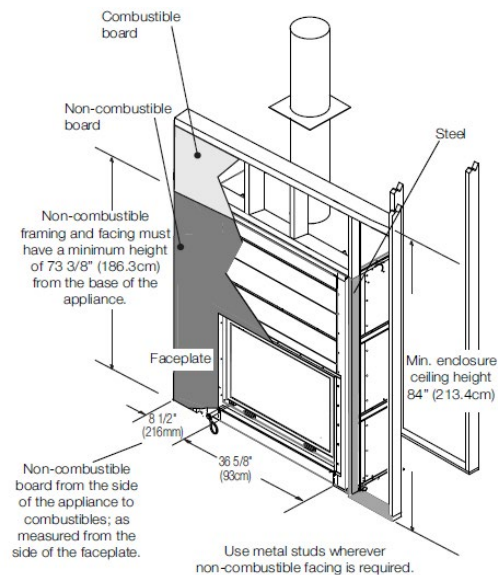
## Framing Dimensions

**note:**  
Use metal studs wherever non-combustible facing is required.

**note:**  
The appliance enclosure must be provided with sufficient air circulation to avoid a fire hazard. Install ventilation grilles (minimum opening of 40 sq. in. [0.03 sq. meters]) at both floor and ceiling levels of the enclosure. These grilles must not restrict the flow of heat by more than 25%. Do not install into any area having a height less than 7 ft. (2m) (ceiling enclosure to appliance bottom, excluding hearth height). The location of windows, doors and the traffic flow in the room where the stove is to be located should be considered. If possible, you should choose a location where the chimney will pass through the house without cutting a floor or roof joist.



\* Allow for finished floor and hearth thickness when setting these dimensions.  
\*\* When constructing the enclosure allow for finishing material thickness to maintain clearances.



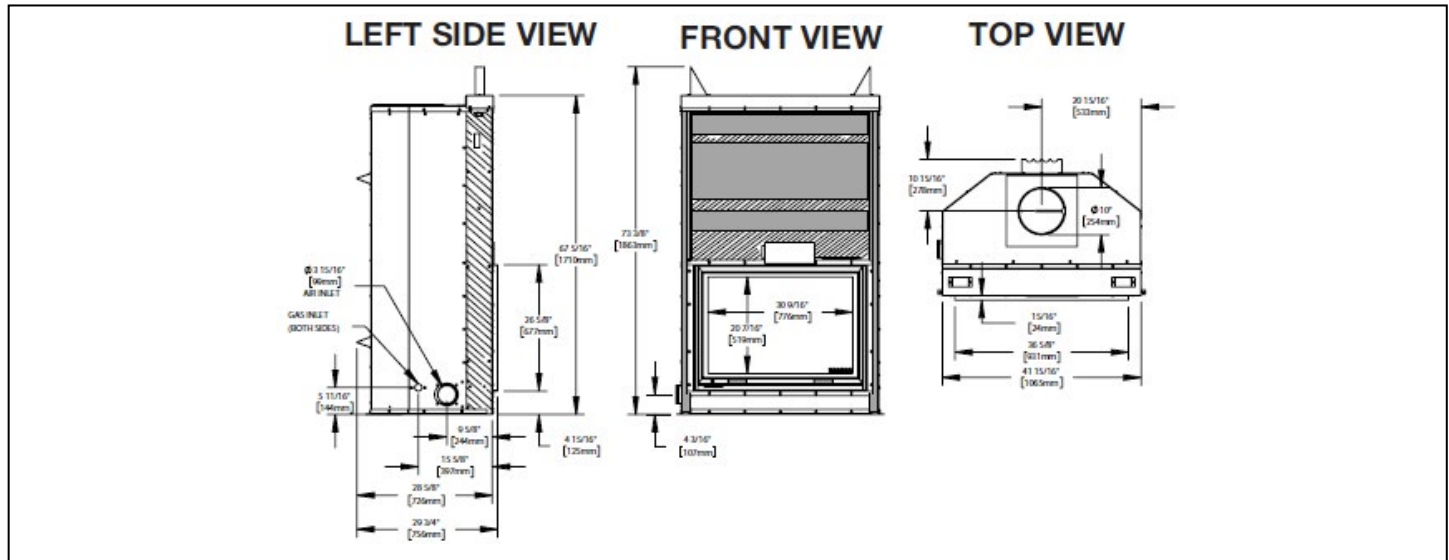
**note:**  
Before you completely close up the enclosure, ensure the air control, flue damper and the door / screen assemblies perform as intended.

# HIGH COUNTRY™ NZ5000-T WOOD FIREPLACE

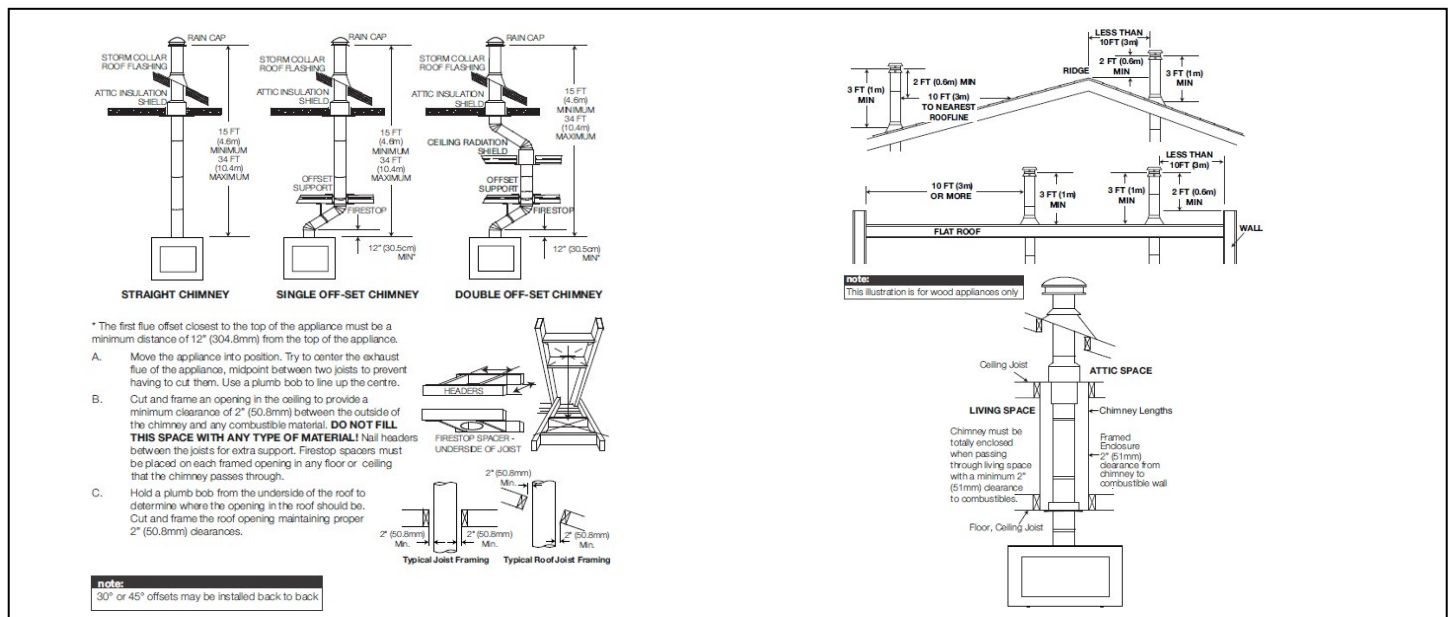


Product information provided is not complete and is subject to change without notice. Please consult the installation manual for the most up to date installation information.

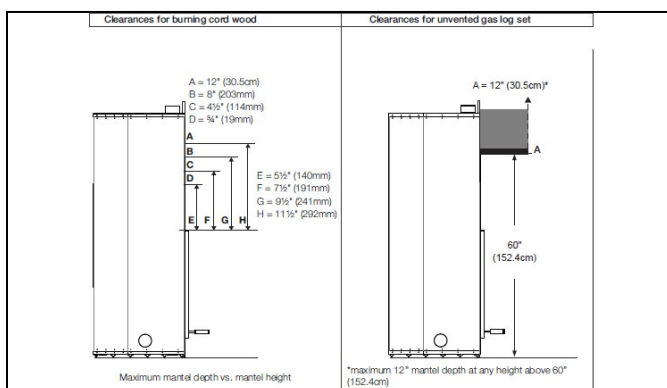
## Dimensions



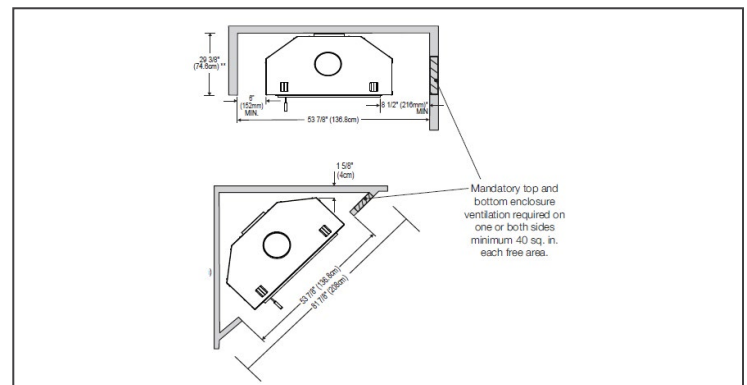
## Chimney Installation (8" Solid Packed or Air Cooled Chimney)



## Combustible Mantel Clearances



## Appliance Location



09/2017