

This Owner's Manual is provided and hosted by [Appliance Factory Parts](#).



Landmann 42301LP Owner's Manual

[Shop genuine replacement parts for Landmann
42301LP](#)



[Find Your Landmann Grill Parts - Select From 200 Models](#)

----- Manual continues below part list -----

Available Replacement Parts for Landmann 42301LP

AV0004	SIDE BURNER GRATE
AV0006	SIDE BURNER LID HANDLE
AV0011	TEMPERATURE GAUGE 2.5"
AV0013	HEAT TENT
AV0014	COOKING GRATE SMALL
AV0018	SIDE BURNER
AV0019	SIDE BURNER ELECTRODE WIRE
AV0022	LOWER HEAT SHEILD
AV0029	SUPPORT PIN
AV0031	MAIN BURNER
AV0032	MAIN BURNER
AV0035	MAIN BURNER ELECTRODE & WIRE
AV0048	CART LEG FRONT RIGHT
AV0053	CART LEG BACK LEFT
AV0056	CART DOOR HANDLE SLEEVE
AV0059	CART LEG FRONT LEFT
AV0062	CART LEG BACK RIGHT
AV0075	WARMING RACK
AV0082	ROTISSERIE BURNER ELECTRODE
AV0087	ELECTRONIC IGNITER
AV0096	ROTISSERIE BURNER CONTROL KNOB
AV0098	ROTISSERIE BURNER COVER
AV0120	HARDWARE PACK
PC0003	NON-LOCKING CASTER
PC0118	HOSE & REGULATOR PS-1
PC0146	CONTROL KNOB BEZEL PTS-7
PC0156	MATCH LIGHTING TOOL & CHAIN
PF0001	RUBBER BUMPER PTS-18
PC0005	Locking caster



LANDMANN[®]
Avalon 5 Burner Gas Grill

ⓔ **EN Assembly Instruction 1**

ⓕ **FR Instructions de montage 52**

ⓔ **ES Instrucciones de uso y de montaje 103**



This appliance is for outdoor use only.

This is not a commercial appliance.



Intertek
5010242

MODEL
42301 (LP)/ 42304 (NG)

**ASSEMBLY, CARE AND USE INSTRUCTIONS
READ CAREFULLY**

**IMPORTANT:
RETAIN THESE INSTRUCTIONS FOR FUTURE REFERENCE**

Questions, problems, missing parts? Before returning to your retailer, call our customer service department at: 1-800-321-3473 8:00 AM - 5:00 PM (EST) English Only, or Email CustomerService@landmann-usa.com



VERSION: 42301/42304
DATED: #2018
EDITION: 01/18LI

Table of Contents

<p>Important Safety Information 3-4</p> <p>Liquid Propane (LP) Safety Information 5</p> <p>Package Contents 6-7</p> <p>Preparation 8</p> <p>Hardware Contents 8</p> <p>Tools Required 8</p> <p>Assembly Instructions 9-30</p> <p>Connecting Gas Cylinder 31</p> <p>Main Burner Lighting Instructions 32</p>	<p>Using the Rotisserie Burner..... 33</p> <p>Care and Maintenance 34-35</p> <p>Cooking Methods and Grilling Tips..... 36</p> <p>Troubleshooting 37</p> <p>Replacement Parts..... 38-40</p> <p>Natural Gas Conversion 41-48</p> <p>Connecting Grill to the Natural Gas Source..... 49-50</p> <p>Warranty 51</p>
---	---

Assembler/Installer

This instruction manual contains important information necessary for the proper assembly and safe use of this appliance. Read and follow all warnings and instructions before assembling and using this appliance.

Leave these instructions with the consumer.

Consumer/User

Follow all warnings and instructions when using this appliance.

Keep these instructions for future reference.


DANGER

If you smell gas:

- 1. Shut off gas to the appliance.**
- 2. Extinguish any open flame.**
- 3. Open lid.**
- 4. If odor continues, keep away from the appliance and immediately call your gas supplier or your fire department.**
- 5. Failure to follow these instructions could result in explosion, or burn hazard which could cause property damage, personal injury or death.**


WARNING

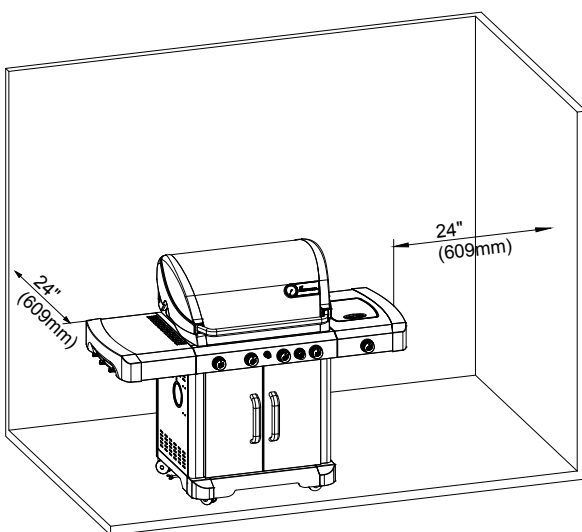
- 1. DO NOT** store or use gasoline or other flammable liquids or vapors in the vicinity of this or any other appliance.
- An LP (liquid propane) cylinder not connected for use should not be stored in the vicinity of this or any other appliance.
- This grill is **FOR OUTDOOR USE** only and shall not be used in a building, garage, under overhangs or any other enclosed area.
- DO NOT** leave a lit grill unattended. Keep children and pets away from the grill at all times.
- This appliance is for Household use only. This is not a commercial appliance.**

Important Safety Information



Warnings and Cautions contained in this instruction manual may result in serious bodily injury or death, or may result in a fire or explosion causing damage to property.

- Make sure to follow all assembly instructions carefully. Improper assembly of this grill may be dangerous.
- **NEVER** use charcoal, lighter fluid, gasoline, kerosene or alcohol to ignite this grill.
- **NEVER** place more than 10 pounds on a side table. **DO NOT** lean on grill.
- **NEVER** use charcoal briquettes or lighter fluid in a gas grill. **DO NOT** move grill while it is lit.
- When igniting the grill or cooking, **DO NOT** lean over the open grill.
- Always open the grill lid slowly and carefully as heat trapped inside the grill can cause severe burns.
- **DO NOT** place hands or fingers at edge of the firebox and the lid when the lid is open or the grill is hot.
- Keep children and pets away from the grill when in use. Accessible parts may be very hot.
- **DO NOT** attempt to disconnect the gas regulator and hose assembly or any gas fitting while your grill is operating.
- This grill **SHOULD NOT** be located under any overhead unprotected combustible construction. Always allow at least 24" from the top, bottom, back and 24" from the sides of the grill (see below).



- This grill is an outside appliance and **SHOULD NOT** be operated in a building, garage, or any other enclosed area.
- **DO NOT** obstruct the flow of combustion and

ventilation air. Keep the ventilation openings of the cylinder enclosure free and clear of debris.

- Should the burners go out while the grill is in operation, turn all gas valves off. Open the lid and wait five minutes before attempting to relight the grill, using the igniting instructions.
- Keep this grill clear and free from combustible material, gasoline and other flammable vapors and liquids.
- **NEVER** store an extra or disconnected liquid propane cylinder under or near this grill.
- Always use heat-resistant barbecue mitts or gloves when operating the grill.
- **DO NOT** leave a hot grill unattended or move it during operation.
- This grill is not intended to be used in or installed on recreational vehicles, boats, portable trailers, or in any moving location.
- **DO NOT** put a grill cover or anything flammable on the grill while the grill is in operation or is hot.
- Storage of an outdoor cooking gas appliance indoors is permissible only if the cylinder is disconnected and removed from the outdoor cooking gas appliance.
- When the grill is not in use, make sure the gas is turned **OFF** at the supply cylinder.
- Cylinders must be stored outdoors and out of the reach of children. Cylinder must not be stored in a building, garage or other enclosed areas.
- Always inspect the gas supply hose before every use. If the hose shows any signs of abrasions or cuts, **DO NOT** use the grill. The hose must be replaced before using again.
- Always check the burners and venturi tubes for insects and insect nests. A clogged tube can lead to a fire beneath the grill.
- Always check the connections for leaks each time you connect and disconnect the LP gas supply cylinder.



The pressure regulator and hose assembly supplied with this grill must be used. Any requirements for a replacement regulator and hose assembly must be made through the manufacturer, LANDMANN-USA.

- **DO NOT** enlarge the valve orifices or burner ports when cleaning the valves or burners.


Important Safety Information


- If you see, smell or hear hissing of gas escaping from the LP gas cylinder, move away from the LP gas cylinder. **DO NOT** attempt to correct the problem yourself and call the fire department.
- If a grease fire occurs, turn **OFF** the burner and leave the lid closed until the fire is out.
- **DO NOT** alter this grill in any manner. Any alteration automatically voids the warranty.
- **DO NOT** use the grill in high wind situations.

To avoid the possibility of tipping over the grill, **NEVER** place more than 10 pounds on the side table.


NEVER leave cooking food unattended. Continually observing the food will help in maintaining an even temperature, conserve fuel, improve the food's flavor and lessen flare-ups.

The LP gas supply cylinder to be used must be constructed and marked in accordance with the Specification for LP Gas Cylinders of the U.S. Department of Transportation (DOT) or the National Standard of Canada, CAN/CSA-b339 (Cylinders, Spheres, and Tubes for transportation of Dangerous Goods).

 DANGER	<p>A fire causing death or serious injury may occur if the following is not followed exactly:</p> <p>NEVER store or use gasoline or other volatile substances in the vicinity of this grill. NEVER store a spare propane cylinder in the vicinity of this grill, or in the vicinity of another potential heat source.</p>
--	--

 WARNING	<p>DO NOT store spare gas cylinder in or near grill.</p> <p>Place dust cap on cylinder valve outlet whenever the cylinder is not in use. Install only the type of dust cap on cylinder valve outlet that is provided with the cylinder valve. Other types of caps or plugs may result in leakage of propane.</p>
---	---

State of California Proposition 65 Warnings

 WARNING	<p>This product contains chemicals known to the State of California to cause cancer and birth defects or other reproductive harm.</p>
---	---

Liquid Propane (LP) Safety Information

Please review the below guidelines and safety information when using Liquid Propane (LP) gas.

General Information

- This grill is designed to be used with a standard 20 lb. LP gas cylinder.
- Any brand of 20 lb. LP gas cylinder is acceptable for use on this grill, provided that it is compatible with the grill's retention means (tank tray bolt).
- This grill is designed certified by ETL international for local LP gas supply.

Safety Information

- LP gas has an odor similar to natural gas.
- LP gas is heavier than air and leaking gas may collect in low areas and resist dispersion.
- LP cylinders should not be dropped or handled roughly.
- DO NOT use a damaged LP cylinder. A dented or rusty LP cylinder or an LP cylinder with a damaged valve may be hazardous and should be replaced with a new cylinder immediately.
- **ALWAYS** close the cylinder valve after use.
- **ALWAYS** close the cylinder valve when disconnecting the regulator.
- **ALWAYS** treat possible empty LP cylinders with the same care as a full LP cylinder. There may still be gas pressure inside a possible empty LP cylinder.
- **NEVER** store or transport an LP cylinder where the temperature can reach 125°F.
- Keep LP cylinders away from children and pets.
- **DO NOT** store disconnected LP cylinders in a building, garage or other enclosed areas.
- If the LP cylinder is kept in the grill between uses, make sure to keep both the grill and the cylinder in an outdoor area with good ventilation.
- **ALWAYS** leak test the LP cylinder connection to the regulator when ever changing LP cylinders.

Installation of LP Cylinder

1. Make sure all burner controls are in the **OFF** position.
2. Open the cabinet door.
3. Carefully position in the large hole on the bottom panel.
4. To secure the LP cylinder in place, screw the tank holding tray bolt through the bottom section of the LP cylinder.
5. Attach the regulator to the cylinder by carefully **HAND TIGHTENING** only.
6. **NEVER** use a wrench or other tool to tighten this connection.
7. Observe all governing codes and ordinances.

Important

The United States LP gas appliance installation must conform with local codes and ordinances. In the absence of local codes, appliance installation must conform with either the National Fuel Gas Code, ANSI Z223.1/NFPA54, Natural Gas and Propane Appliance code, CSA B149.1, or Propane Storage and Handling Code, B149.2, as applicable.

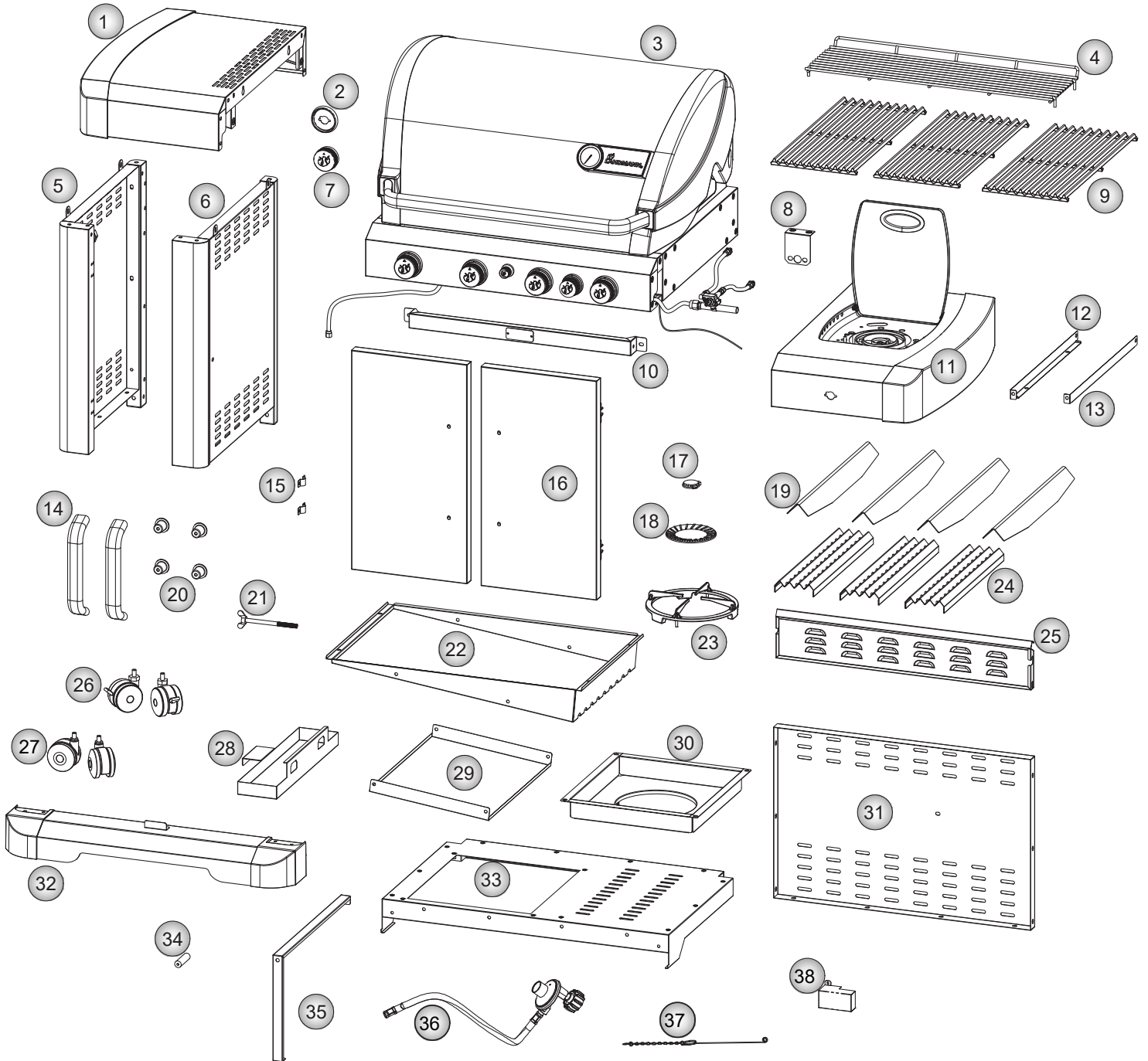
For Canada, installation of this grill must comply with local codes and/or Standard CSA B149.2 (Propane Storage and Handling Code).

Always check the rating plate to verify that the appliance is the correct gas type for the gas supply that you are connecting to. A natural gas grill requires natural gas to operate and an LP gas grill requires liquid propane to operate.

Package Contents

Part	Description	Quantity
1	Side shelf left assembly	1
2	Control knob bezel	1
3	Grill assembly	1
4	Warming rack	1
5	Cart left side panel assembly	1
6	Cart right side panel assembly	1
7	Control knob	1
8	Side burner bracket A	1
9	Cooking grate small	3
10	Cart top cross brace	1
11	Side burner shelf assembly	1
12	Grease tray support left assembly	1
13	Grease tray support right assembly	1
14	Cart door handle	2
15	Clamp	2
16	Cart door assembly	2
17	Side burner cap small	1
18	Side burner cap big	1
19	Heat tent	4
20	Cart door handle sleeve	4
21	LP tank screw	1
22	Grease tray	1
23	Side burner grate	1
24	Lower heat shield	3
25	Grease tray door	1
26	Locking caster	2
27	Non-locking caster	2
28	Grease cup	1
29	Grease tray heat shield	1
30	LP tank tray	1
31	Cart back panel	1
32	Cart base front assembly	1
33	Cart base panel	1
34	AA battery	1
35	LP Tank bar A	1
36	LP hose & regulator	1
37	Match lighting tool & chain	1
38	Rotisserie burner electrode cover	1

Package Contents



Preparation

Before beginning assembly of this grill, please remove all packing material and verify that all of the assembly parts are included (see Package Contents on page 6). If any part is missing or damaged, **DO NOT** attempt to assemble the product.

Estimated assembly time: 60 minutes with two people.

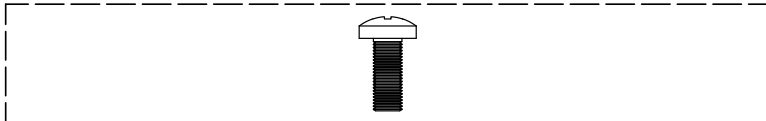
Tools Needed: Phillips Head screw driver and wrench.

Hardware Contents

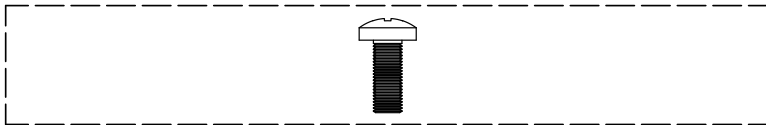
Tools Required



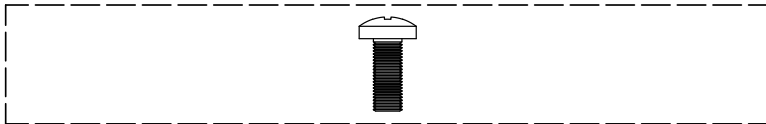
Avalon PTS+ 5.1 +



B M6X15 25X



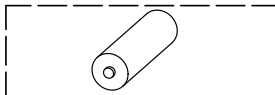
B M6X15 25X



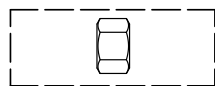
B M6X15 24X



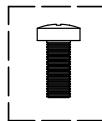
G M4X12 16X



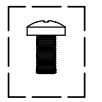
CU AA 1X



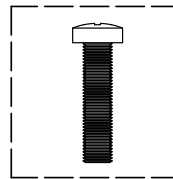
E M6 8X



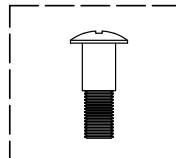
A M5X12 2X



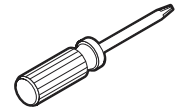
F M4X8 2X



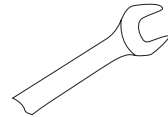
C M6X25 4X



D M6X20 4X



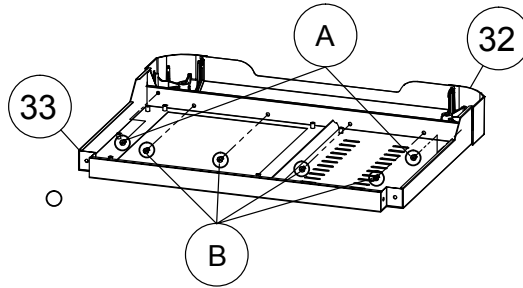
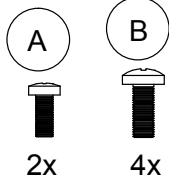
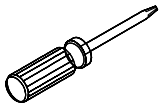
2 pt Phillips Screwdriver



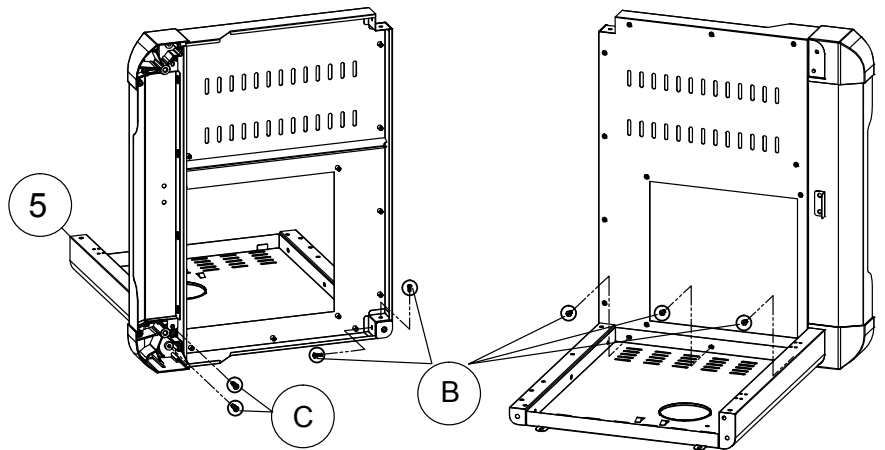
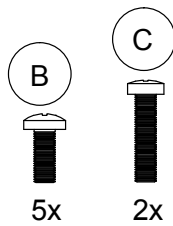
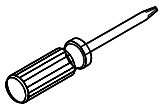
Adjustable Wrench

Assembly Instructions

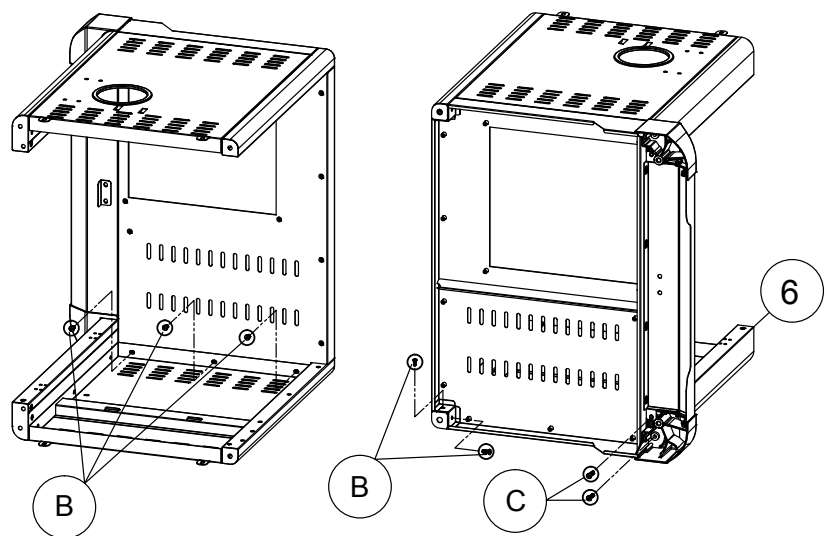
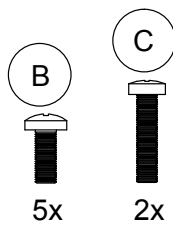
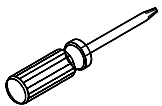
1.



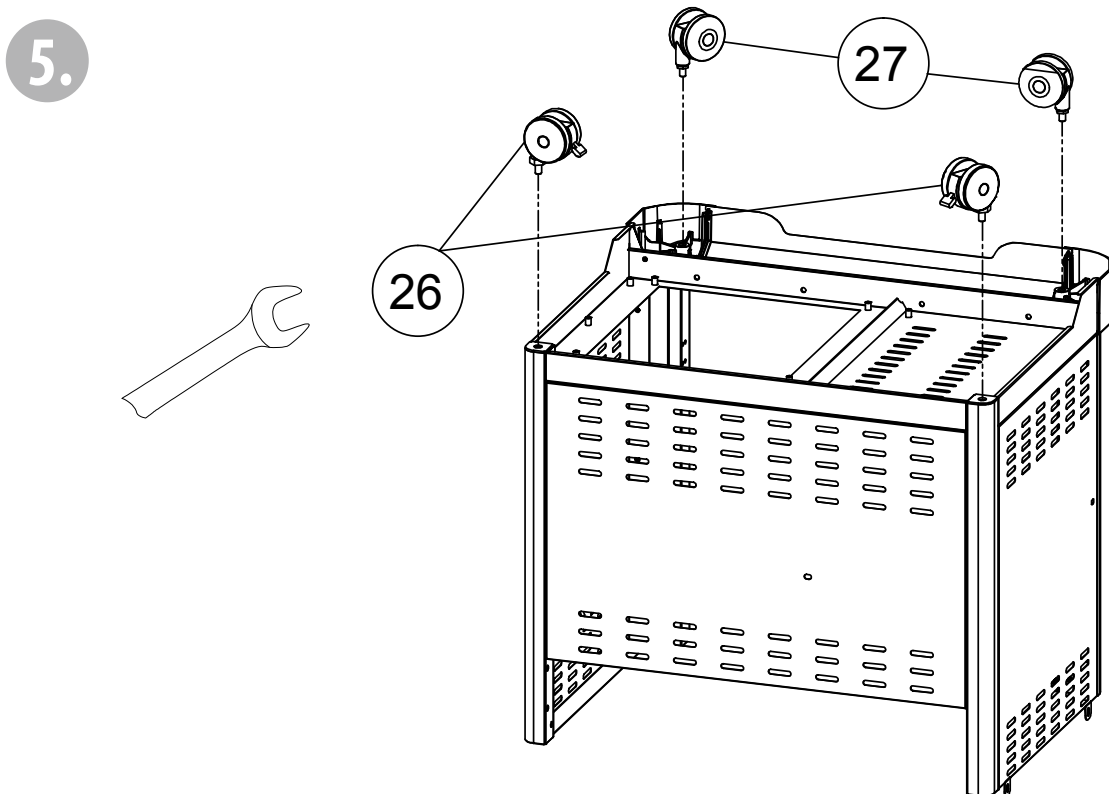
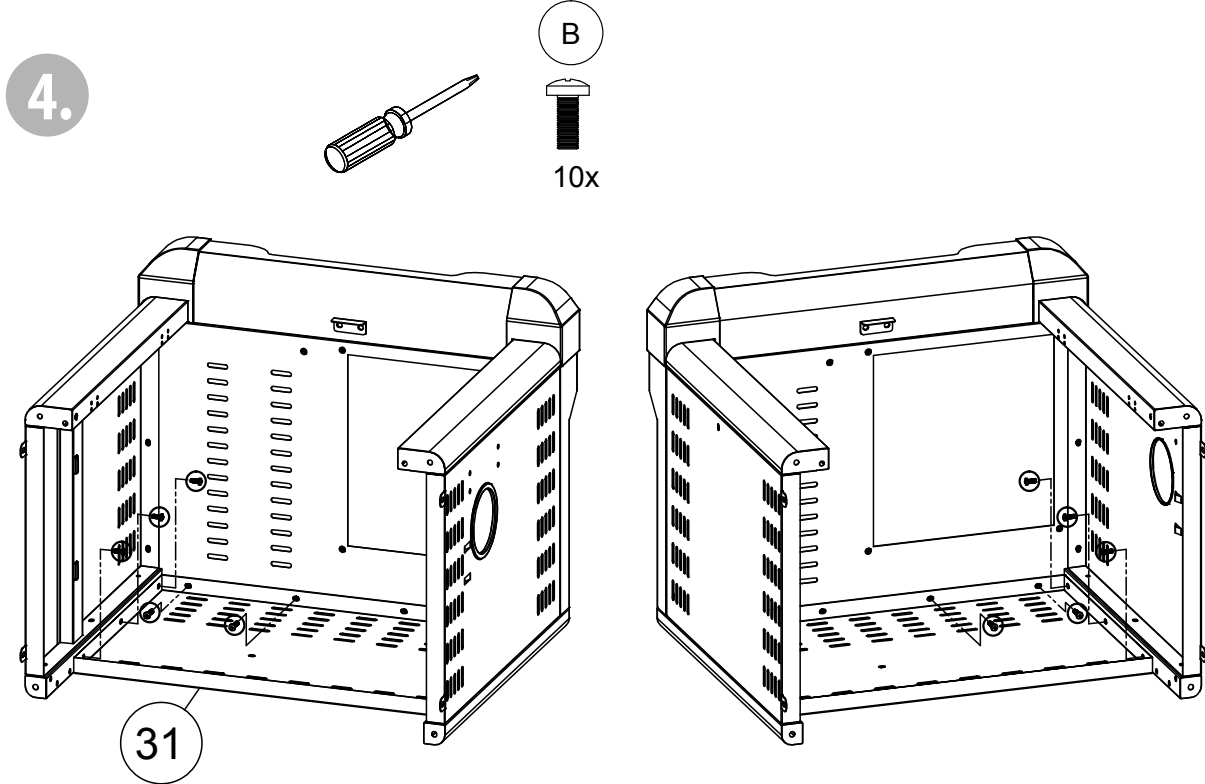
2.



3.



Assembly Instructions



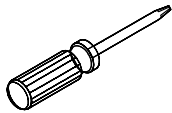
Assembly Instructions

6.

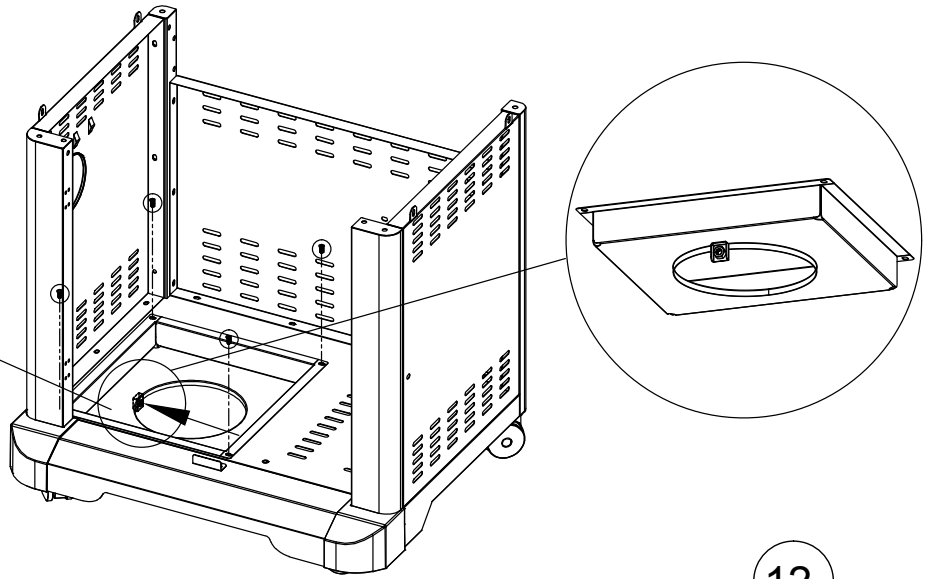
B



4x



30



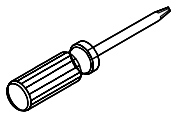
Make sure to install the LP tank tray with the nut on the left side.

7.

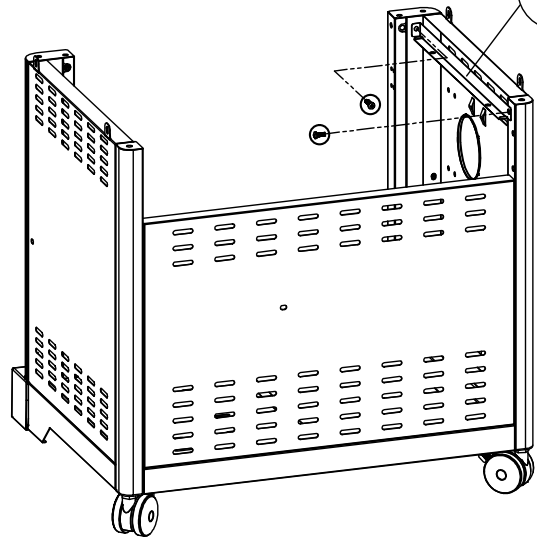
B



2x



12

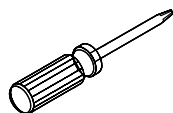


8.

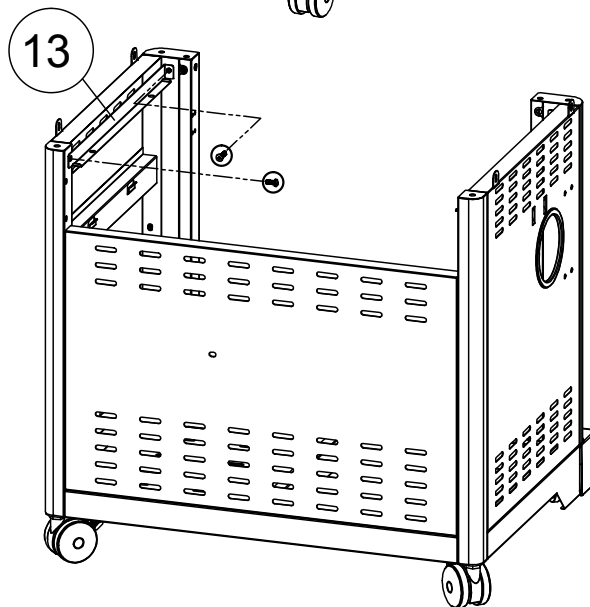
B



2x

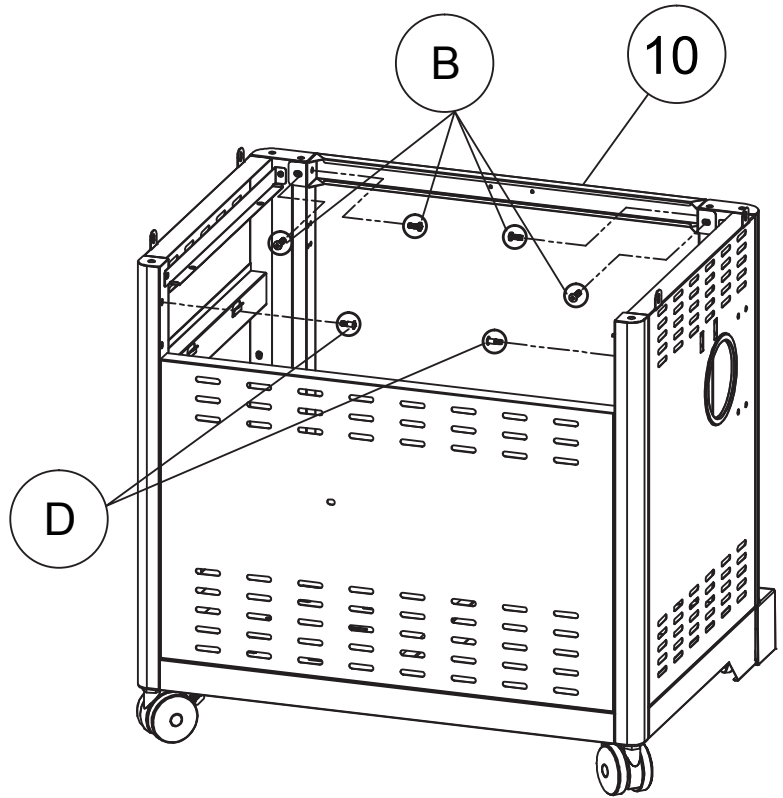
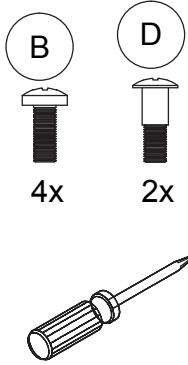


13

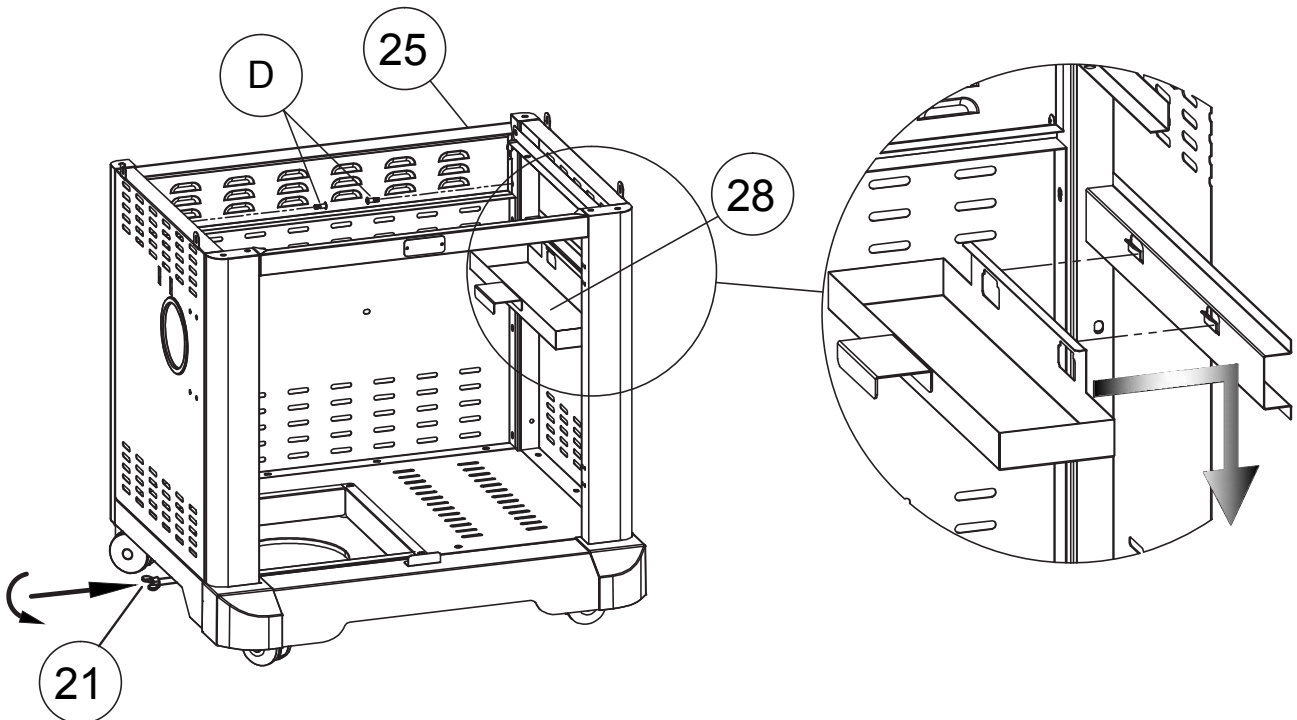
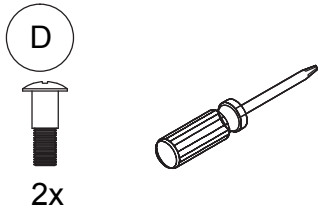


Assembly Instructions

9.

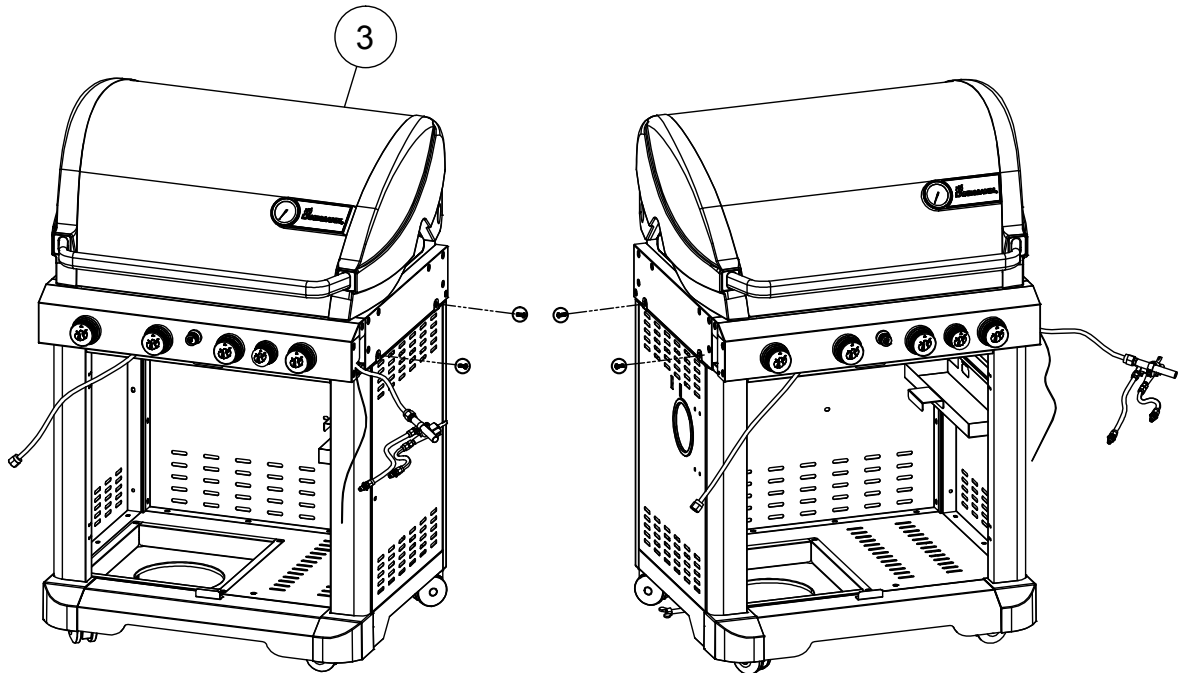
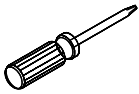


10.

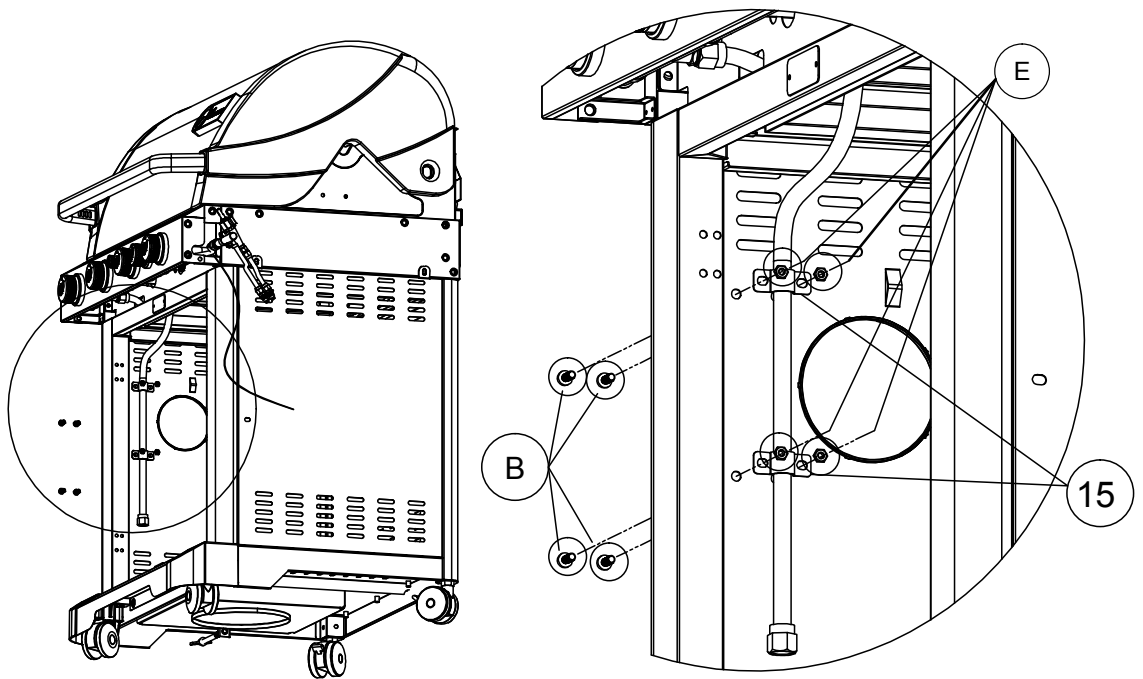
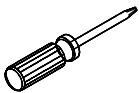
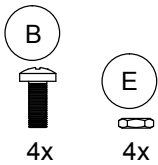


Assembly Instructions

11.

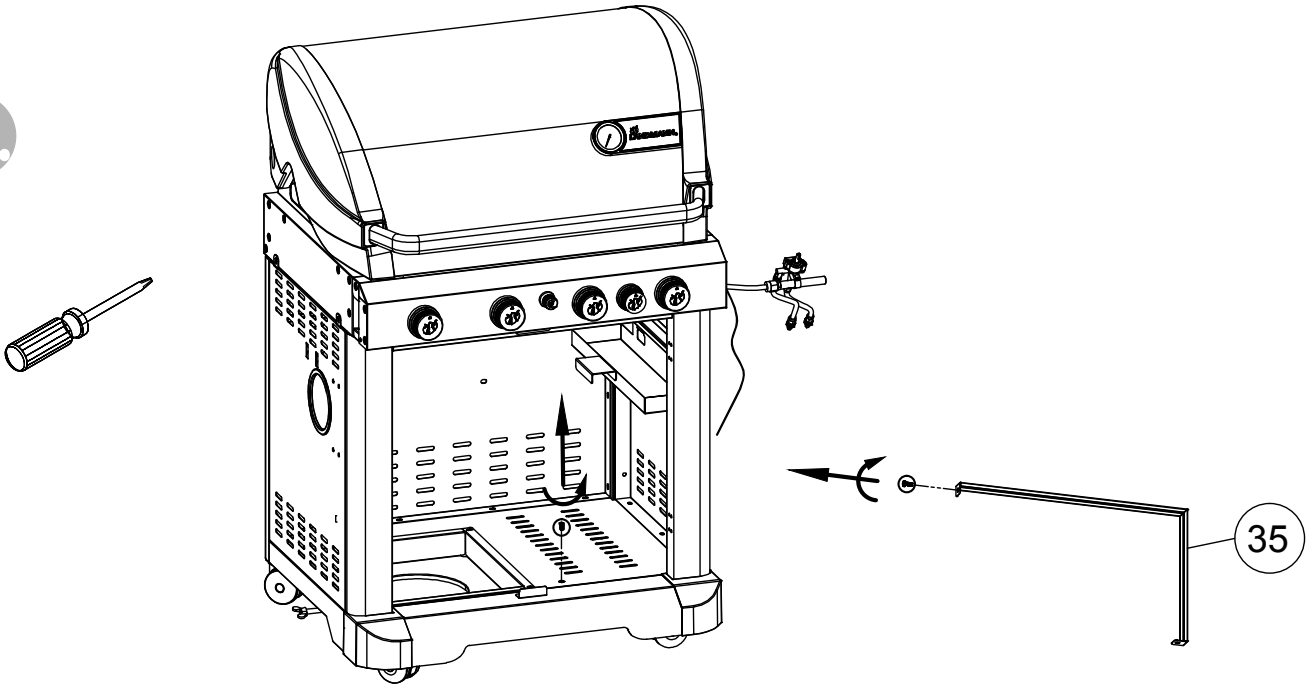


12.

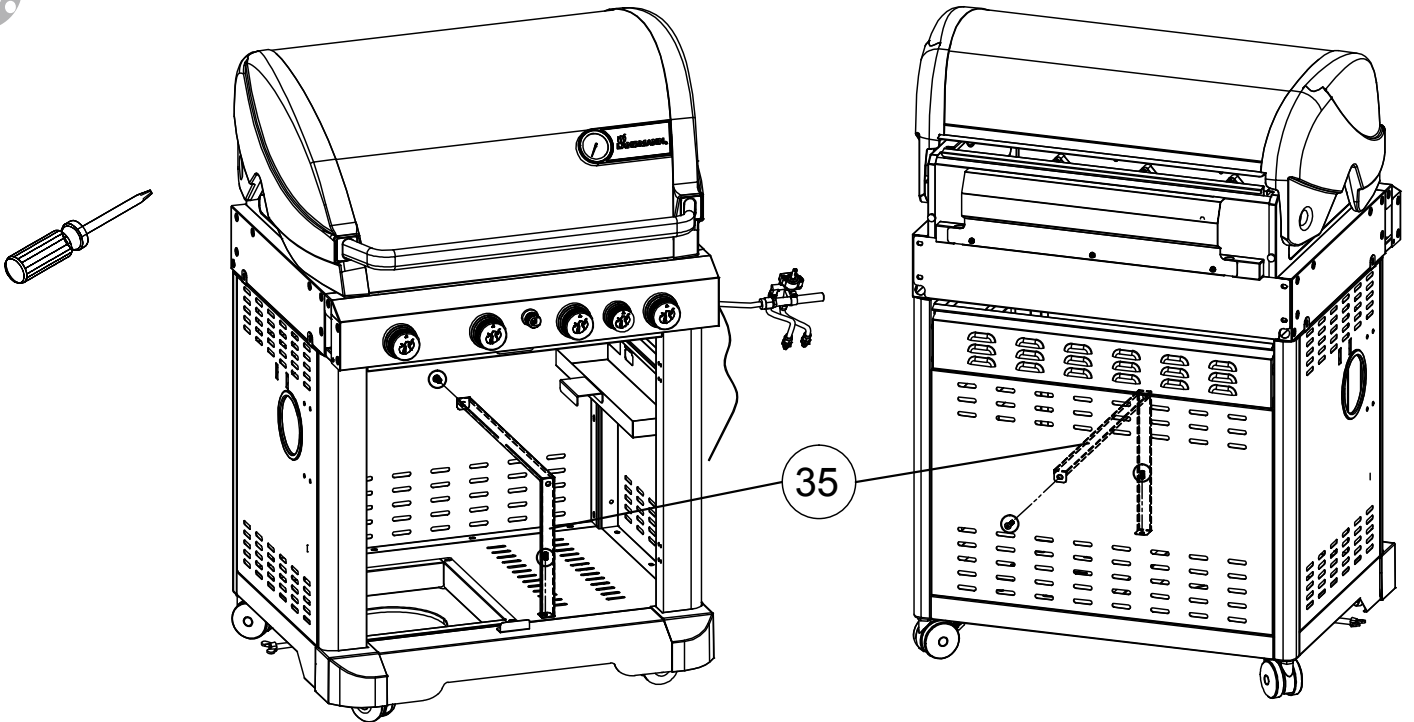


Assembly Instructions

13.



14.



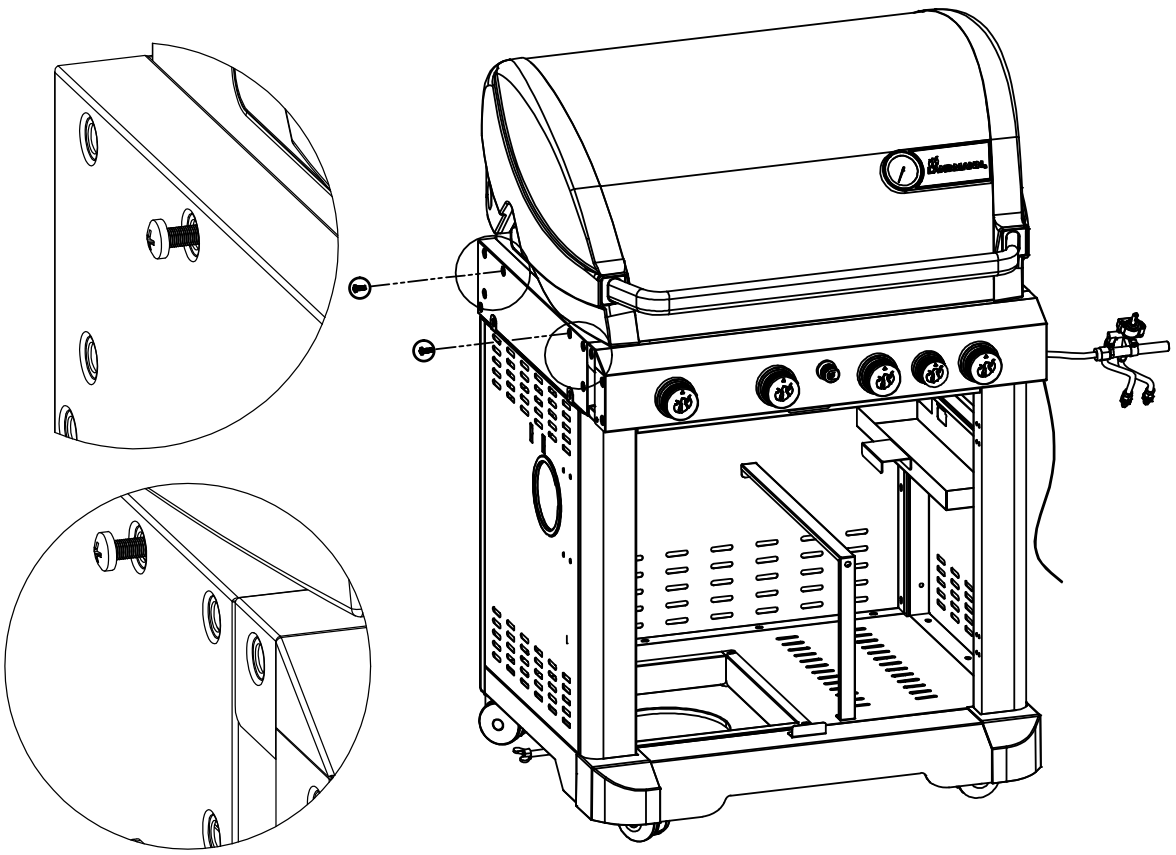
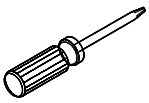
Assembly Instructions

15.

B



2x

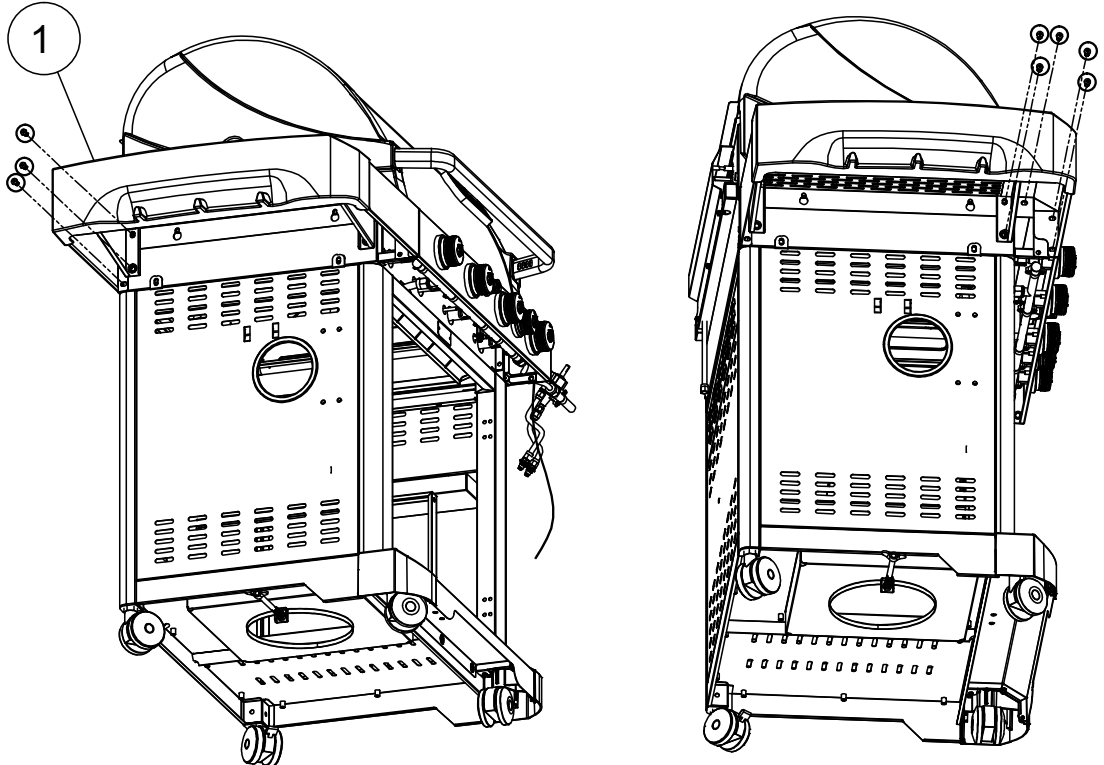
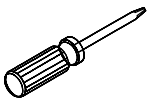


16.

B



8x

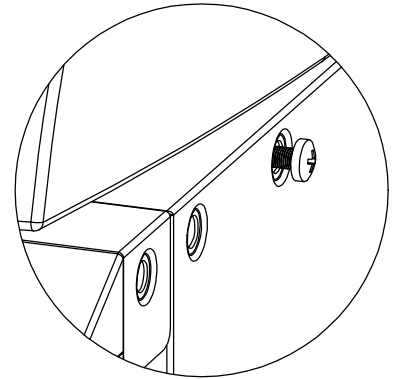
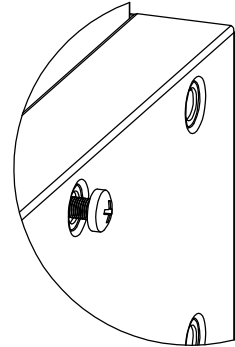
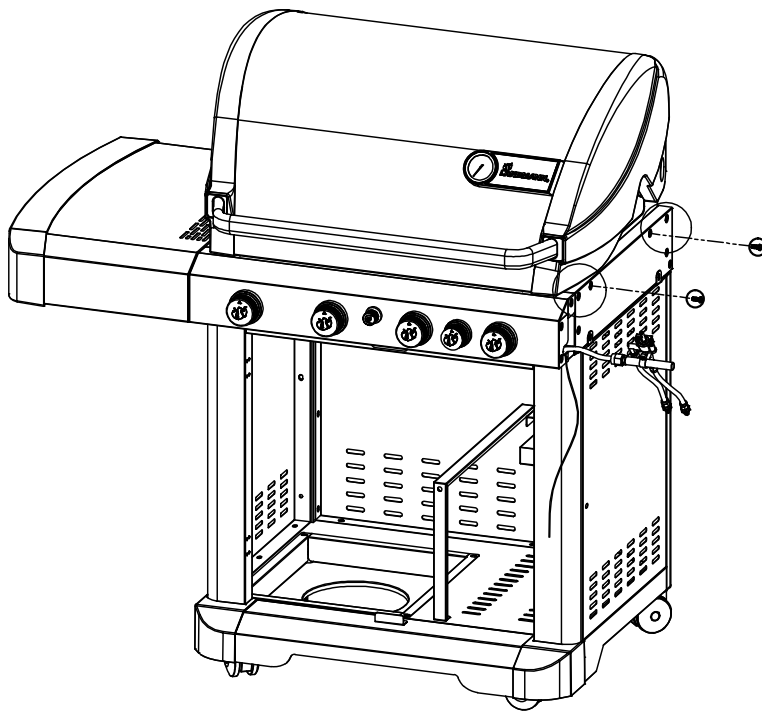
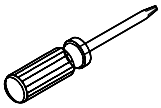


Assembly Instructions

17.

B

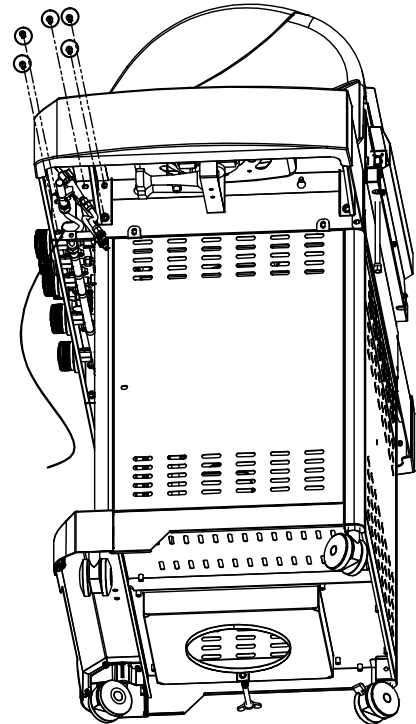
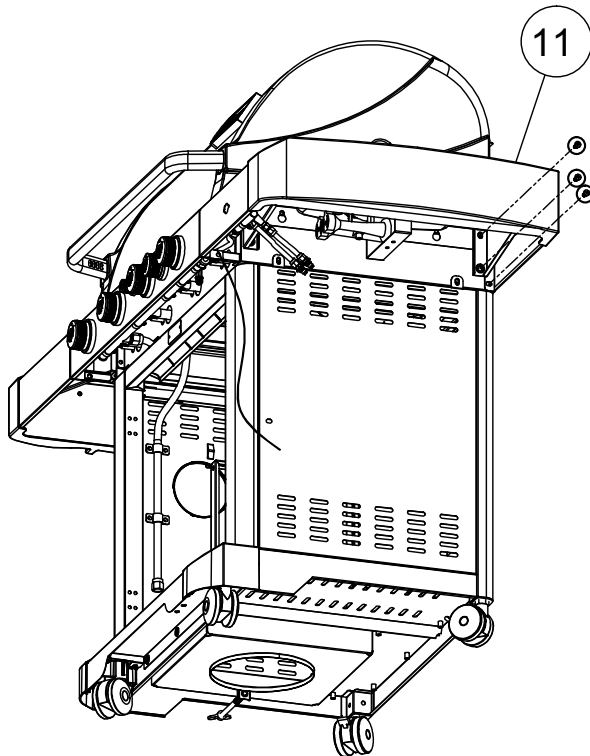
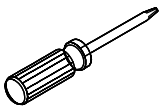
2x



18.

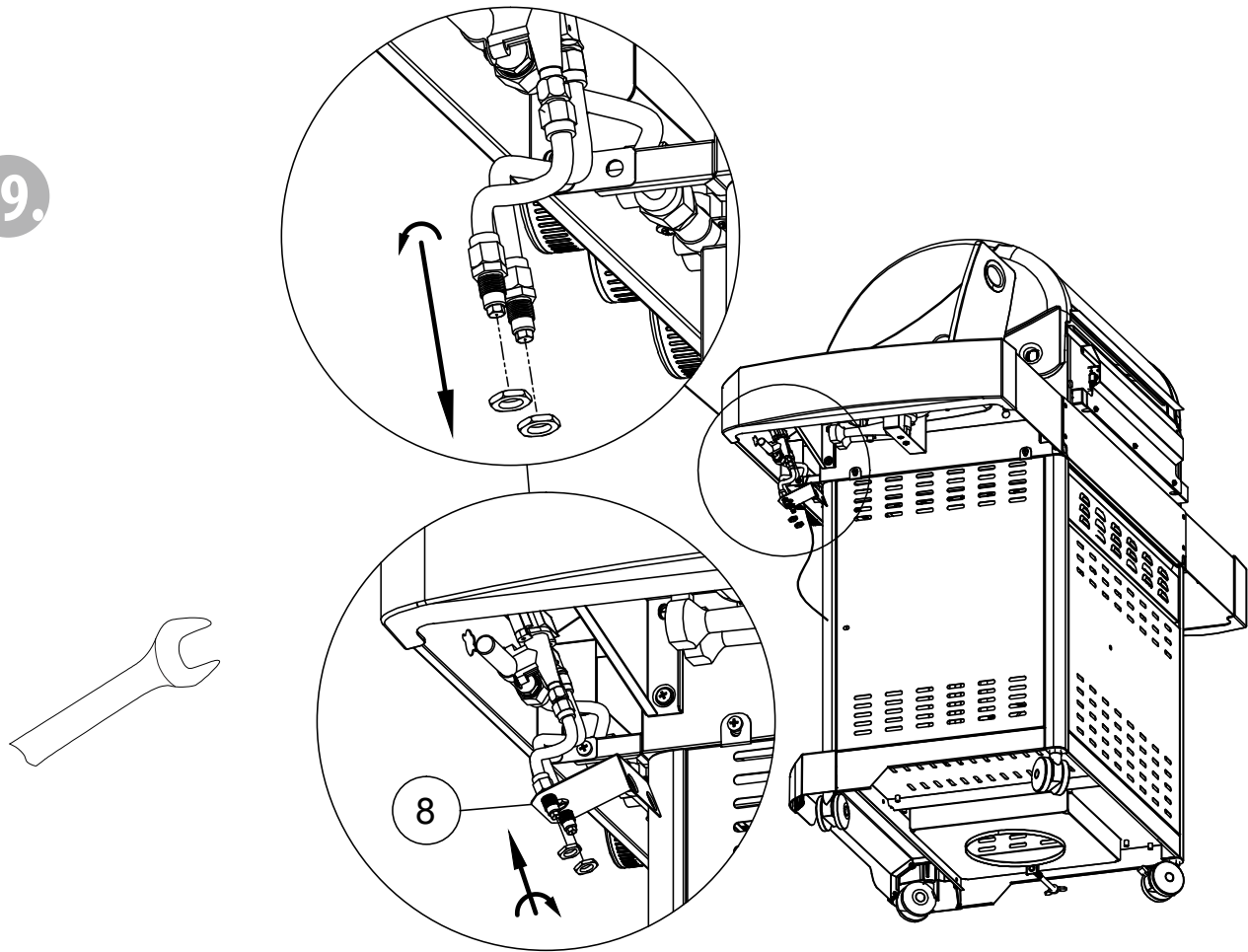
B

8x

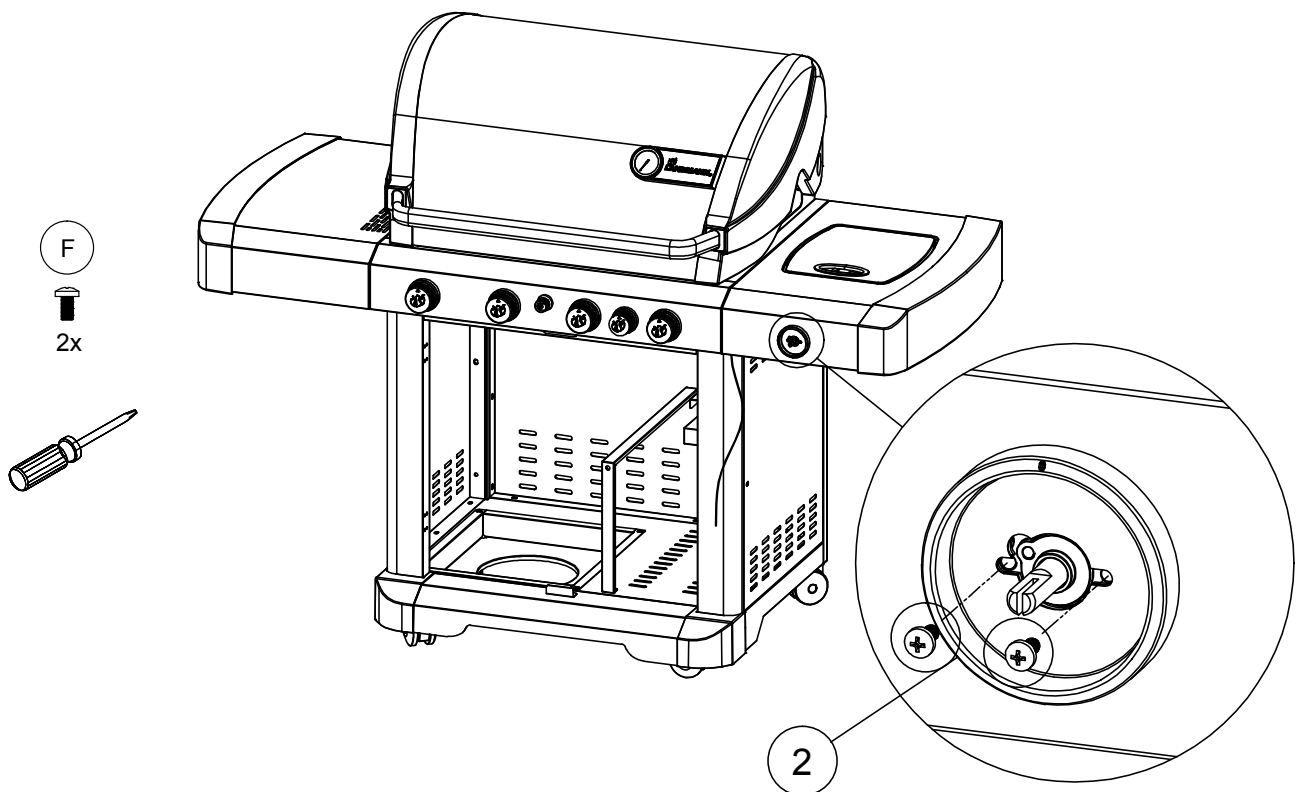


Assembly Instructions

19.



20.



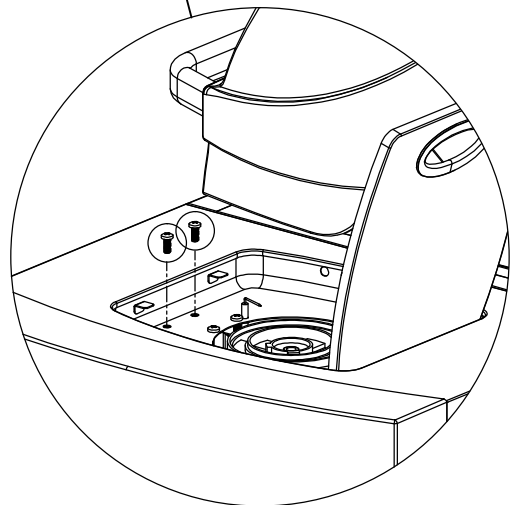
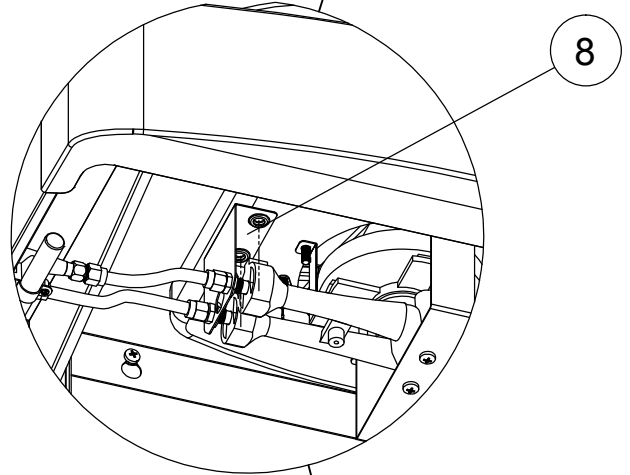
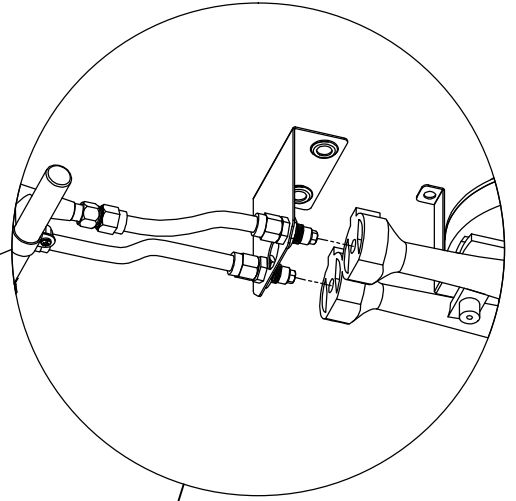
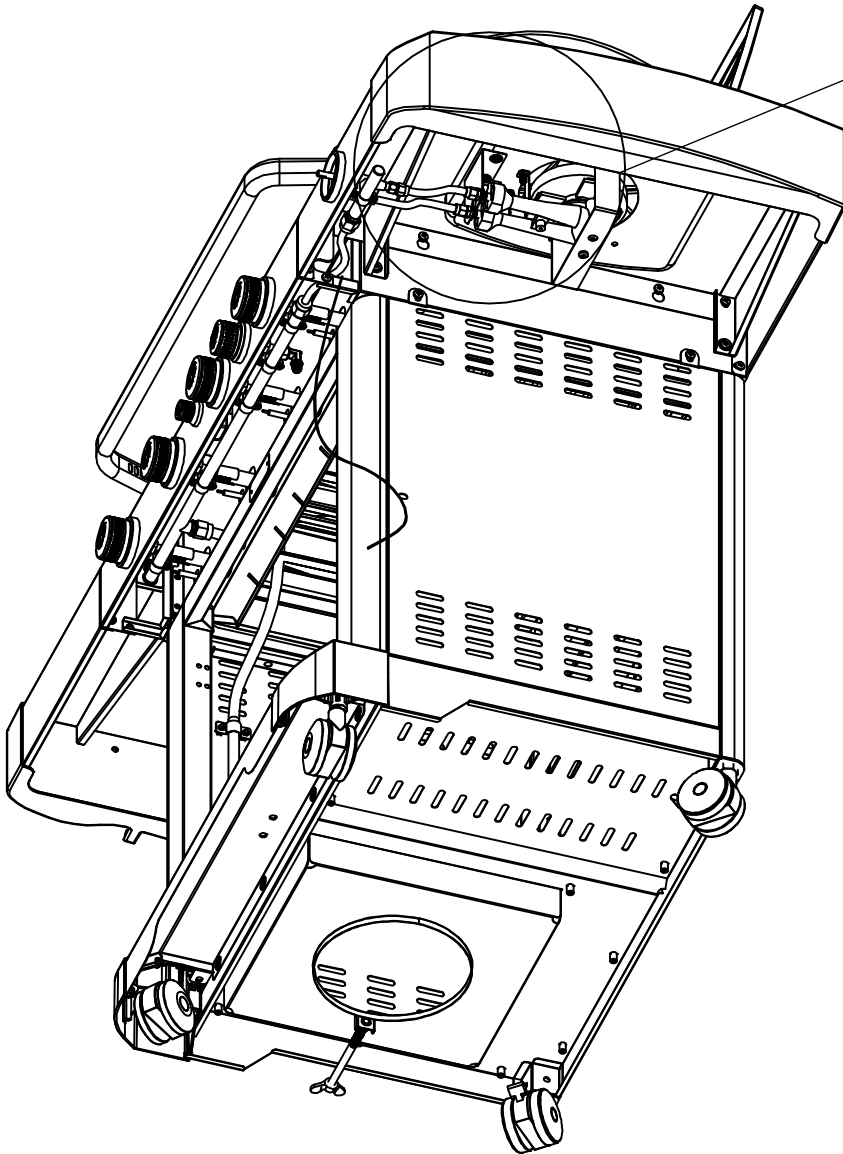
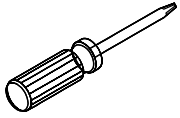
Assembly Instructions

21.

B

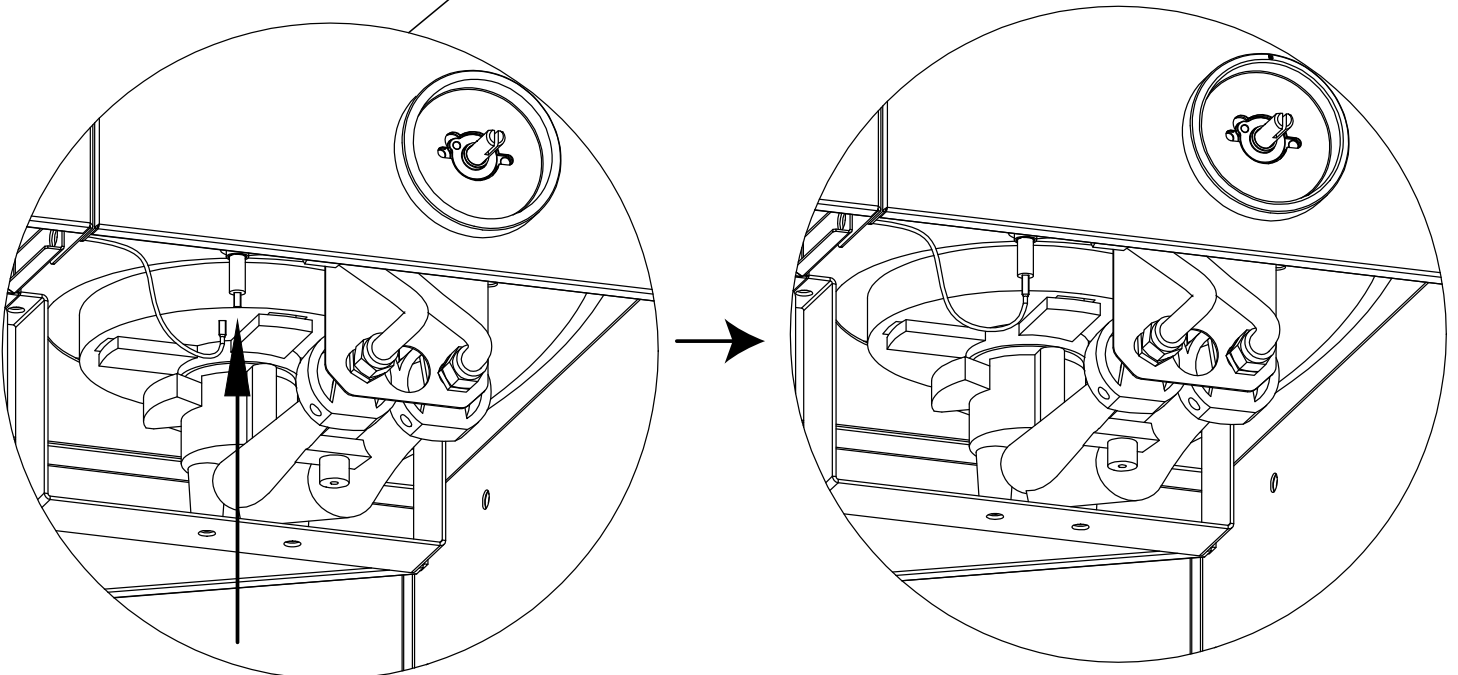
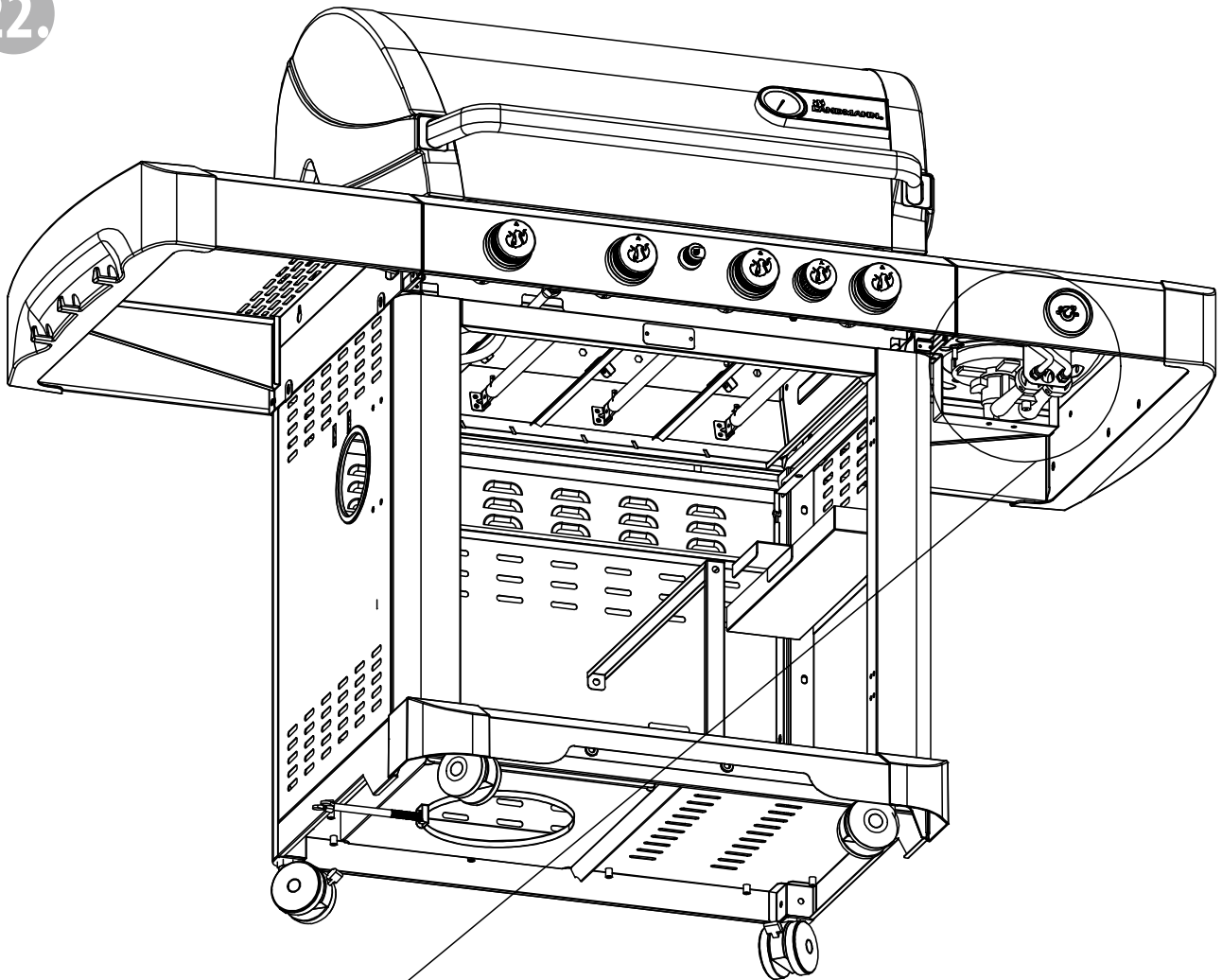


2x



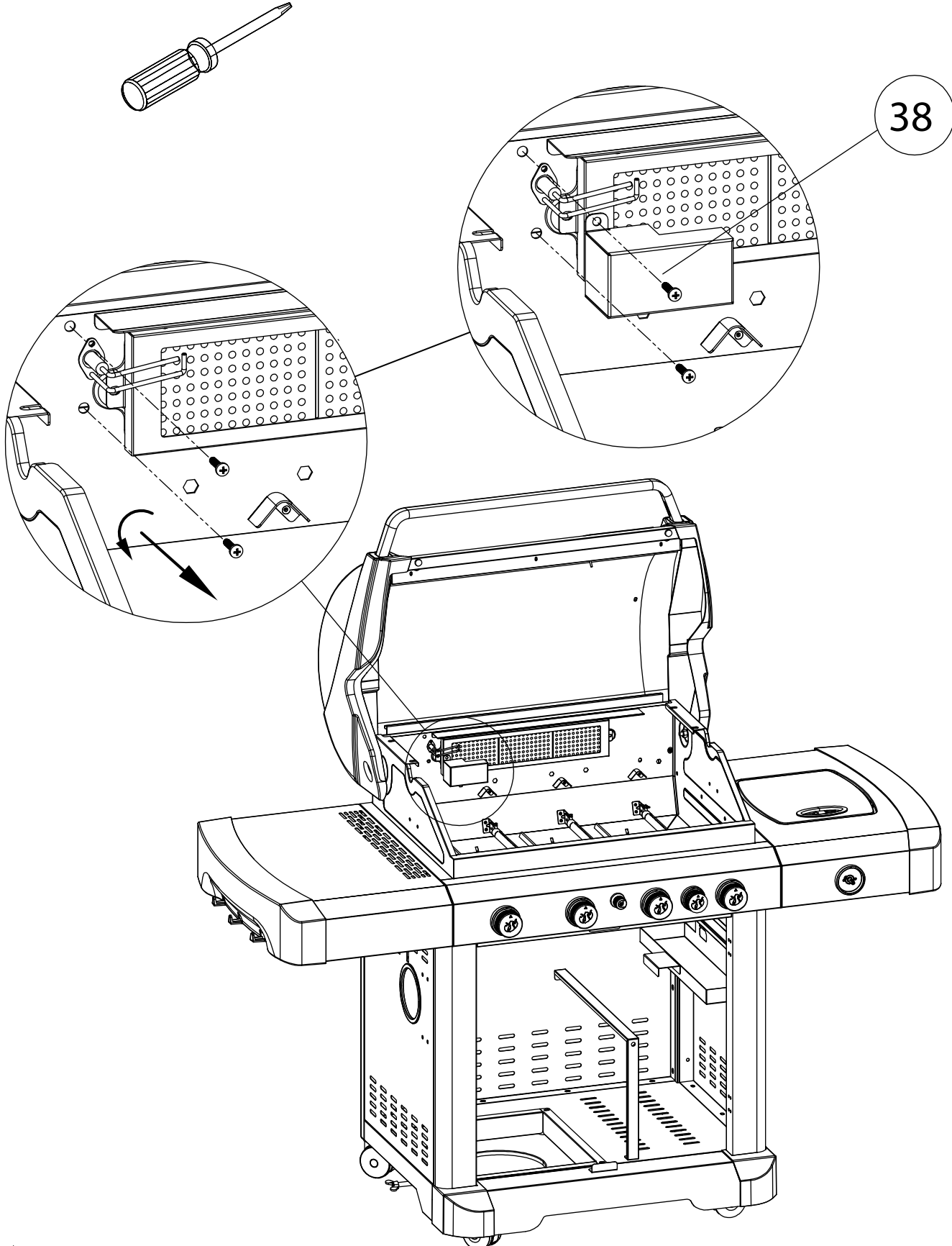
Assembly Instructions

22.

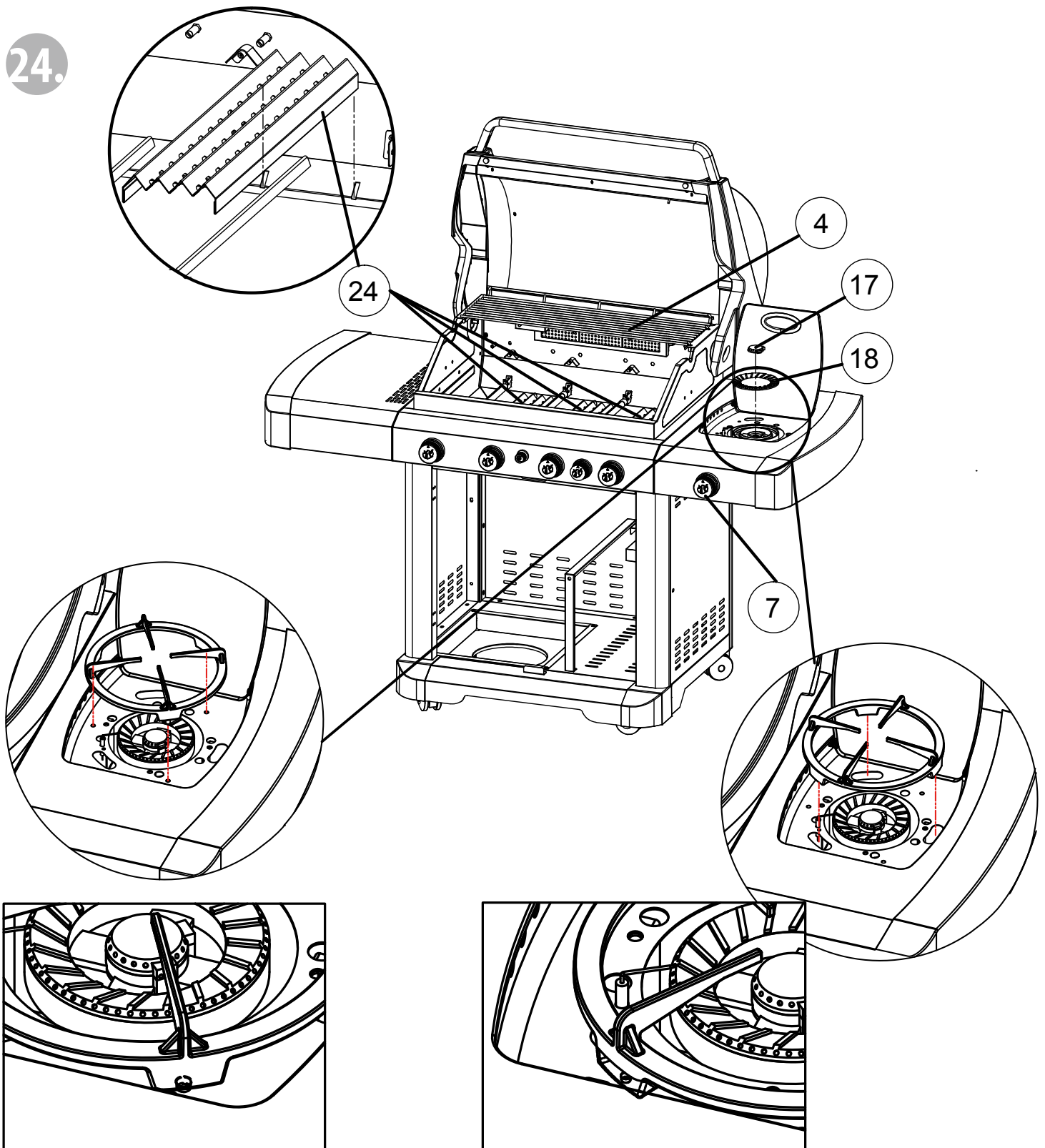


Assembly Instructions

23.



Assembly Instructions

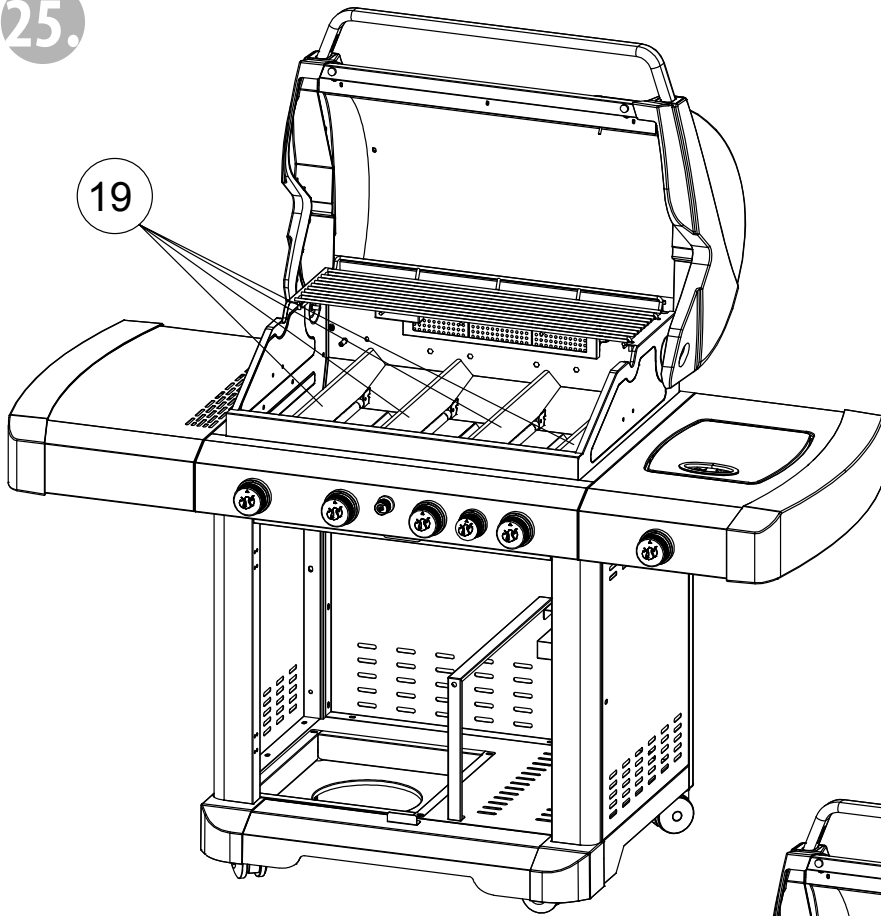


To use side burner - Lift and rotate cooking grate so that legs are resting directly on side burner shelf (not in slots).

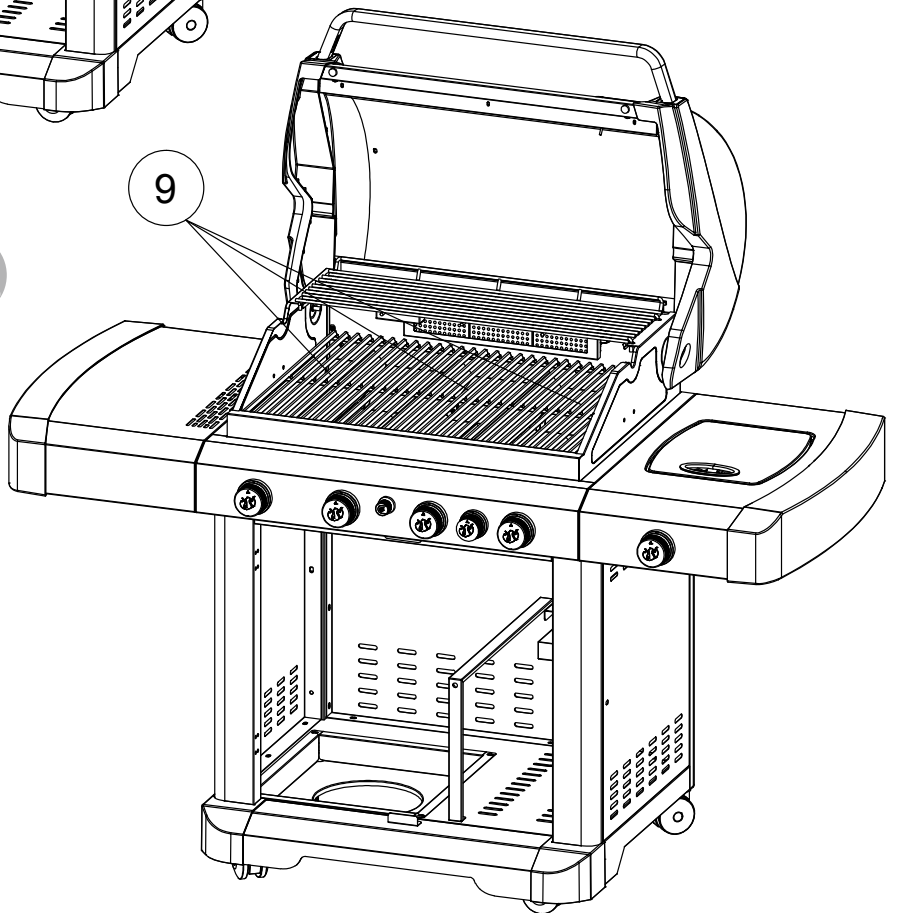
For storage - Rotate cooking grate so that the legs are positioned within slots on side burner shelf.

Assembly Instructions

25.

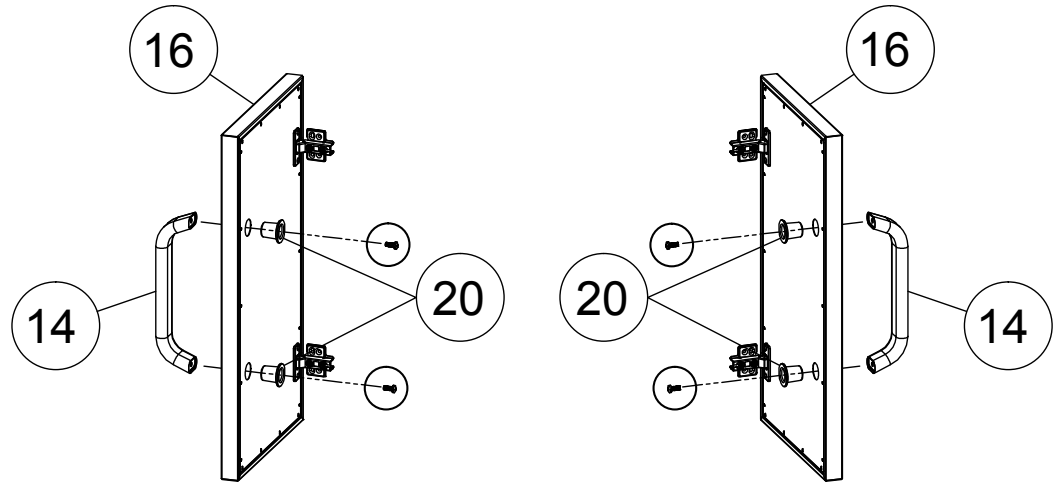
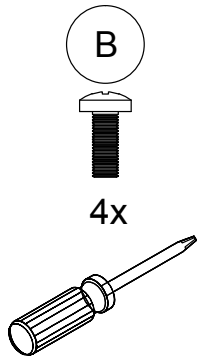


26.

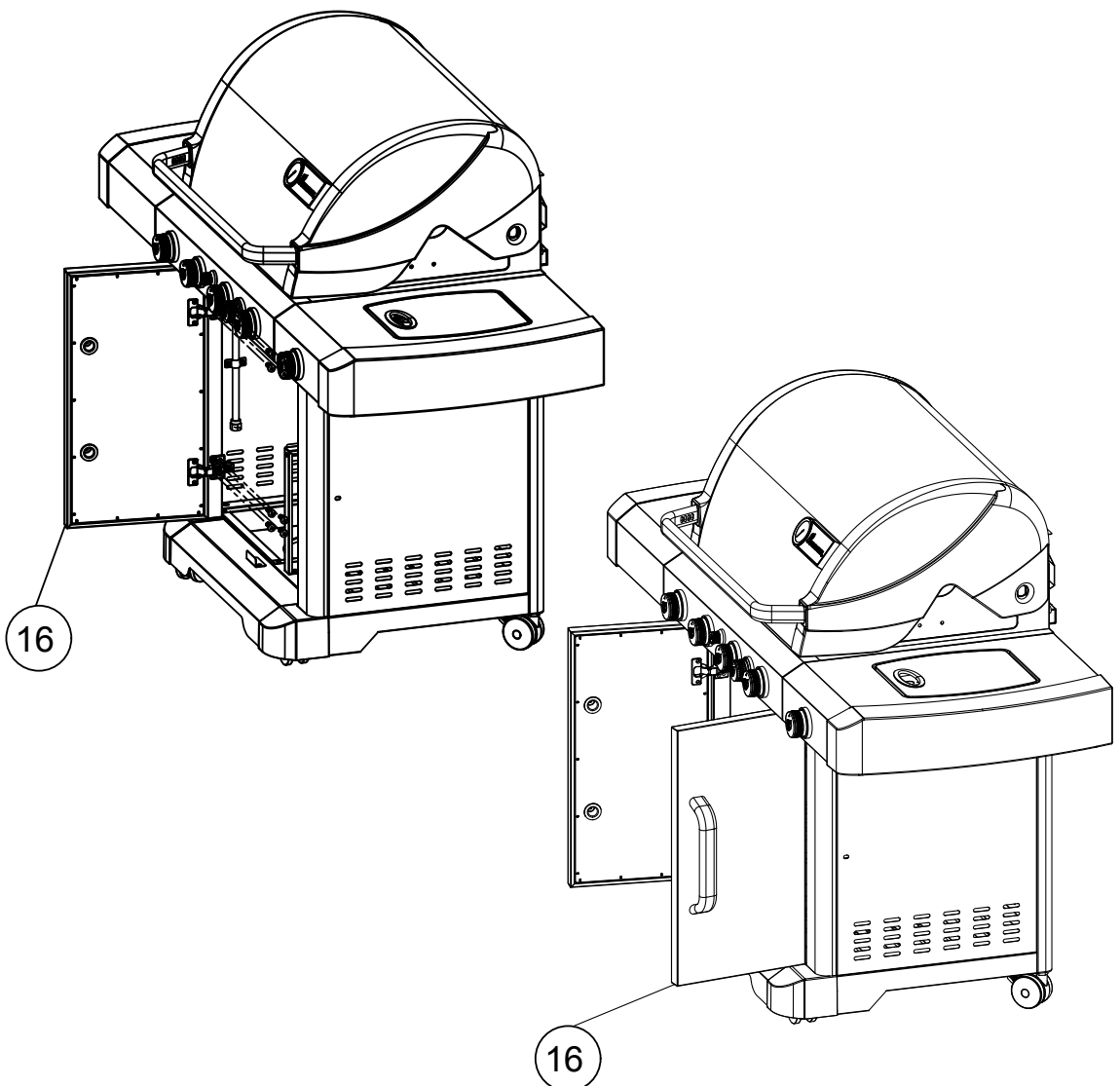
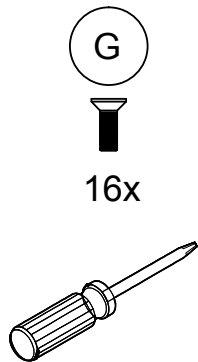


Assembly Instructions

27.



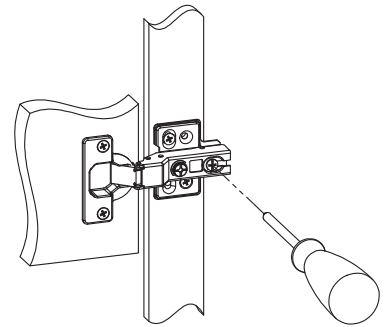
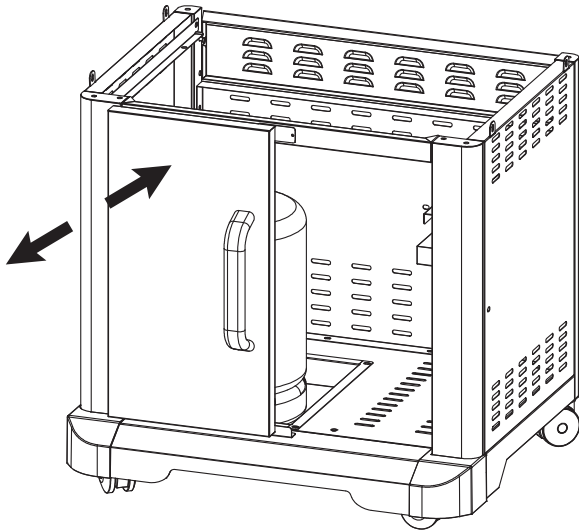
28.



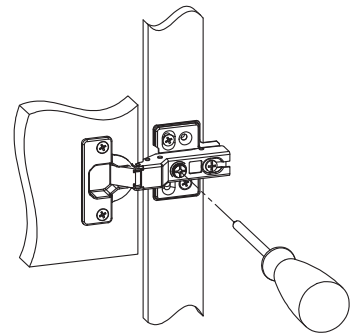
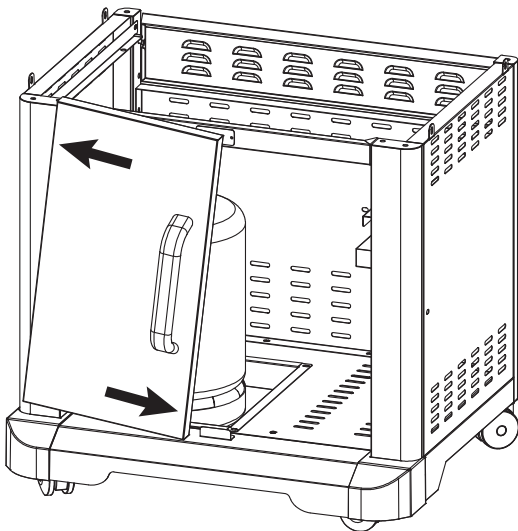
Assembly Instructions

29.

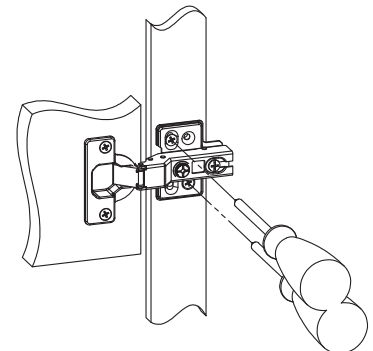
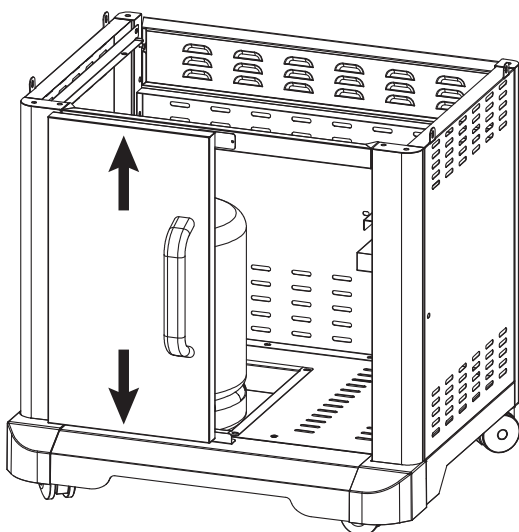
Tips of hinge adjustment



Adjust clearance between door and pillar



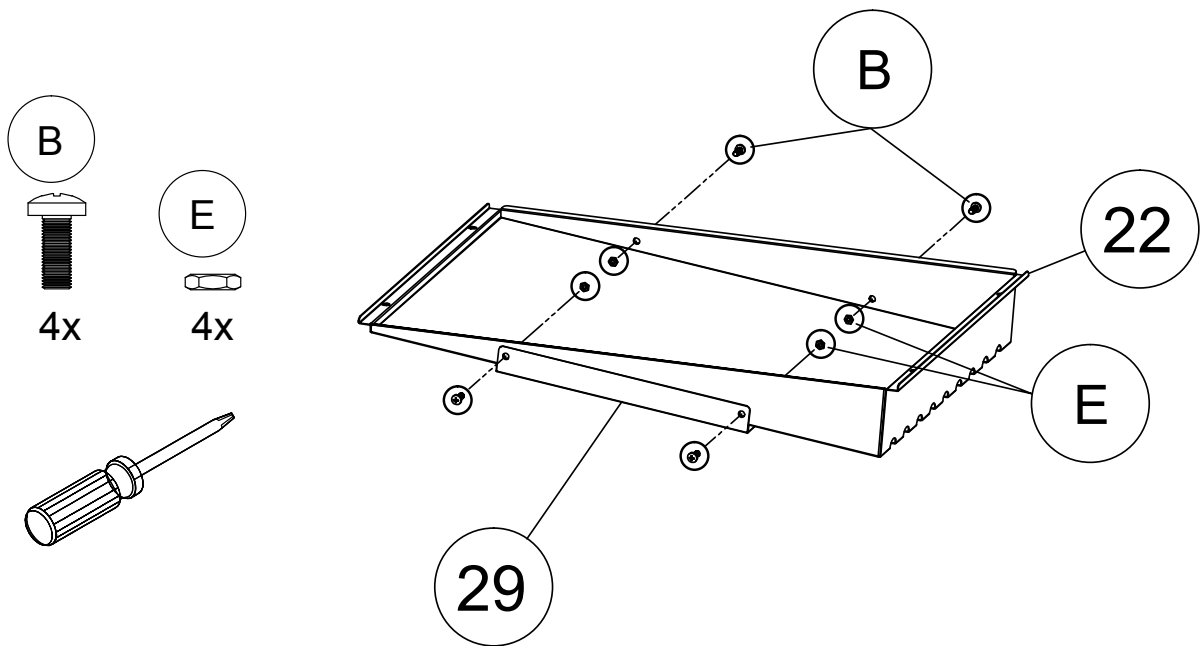
Adjust overlap area between door and pillar



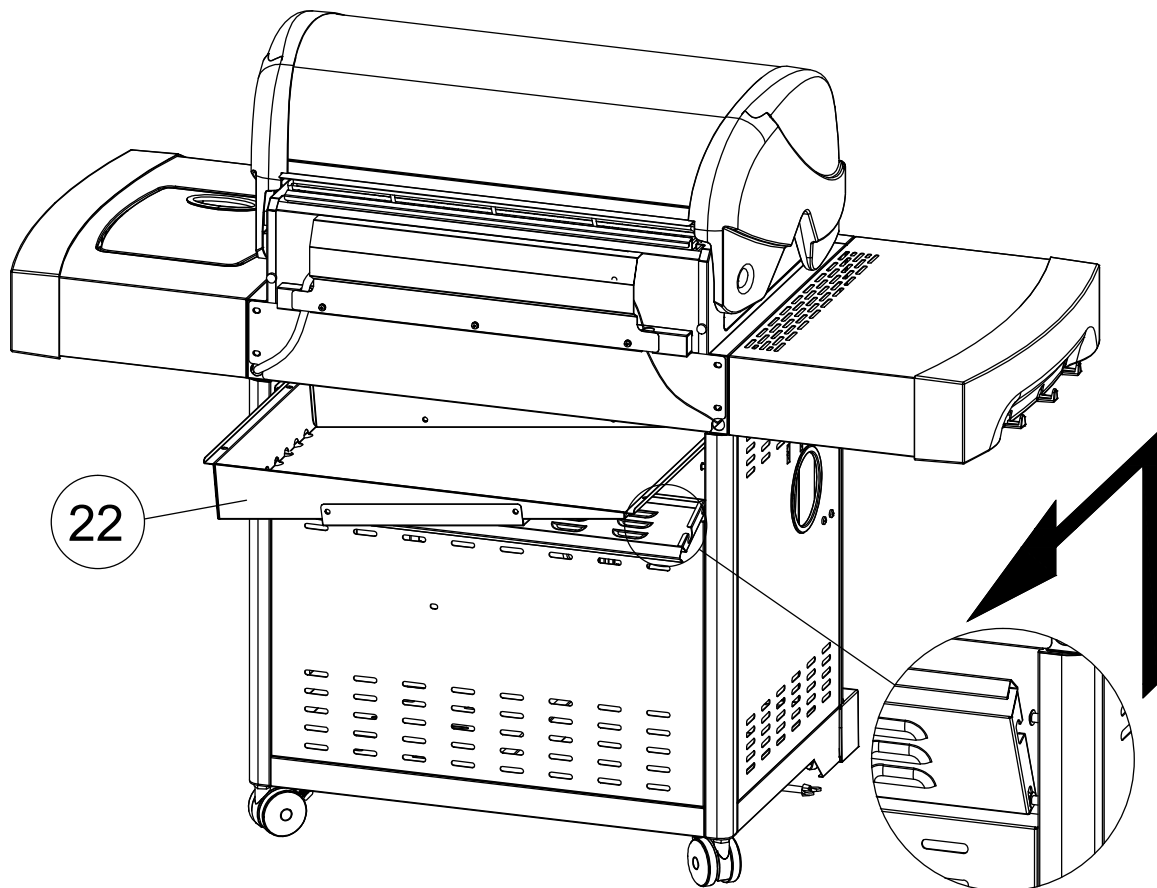
Adjust upper and lower position of door

Assembly Instructions

30.

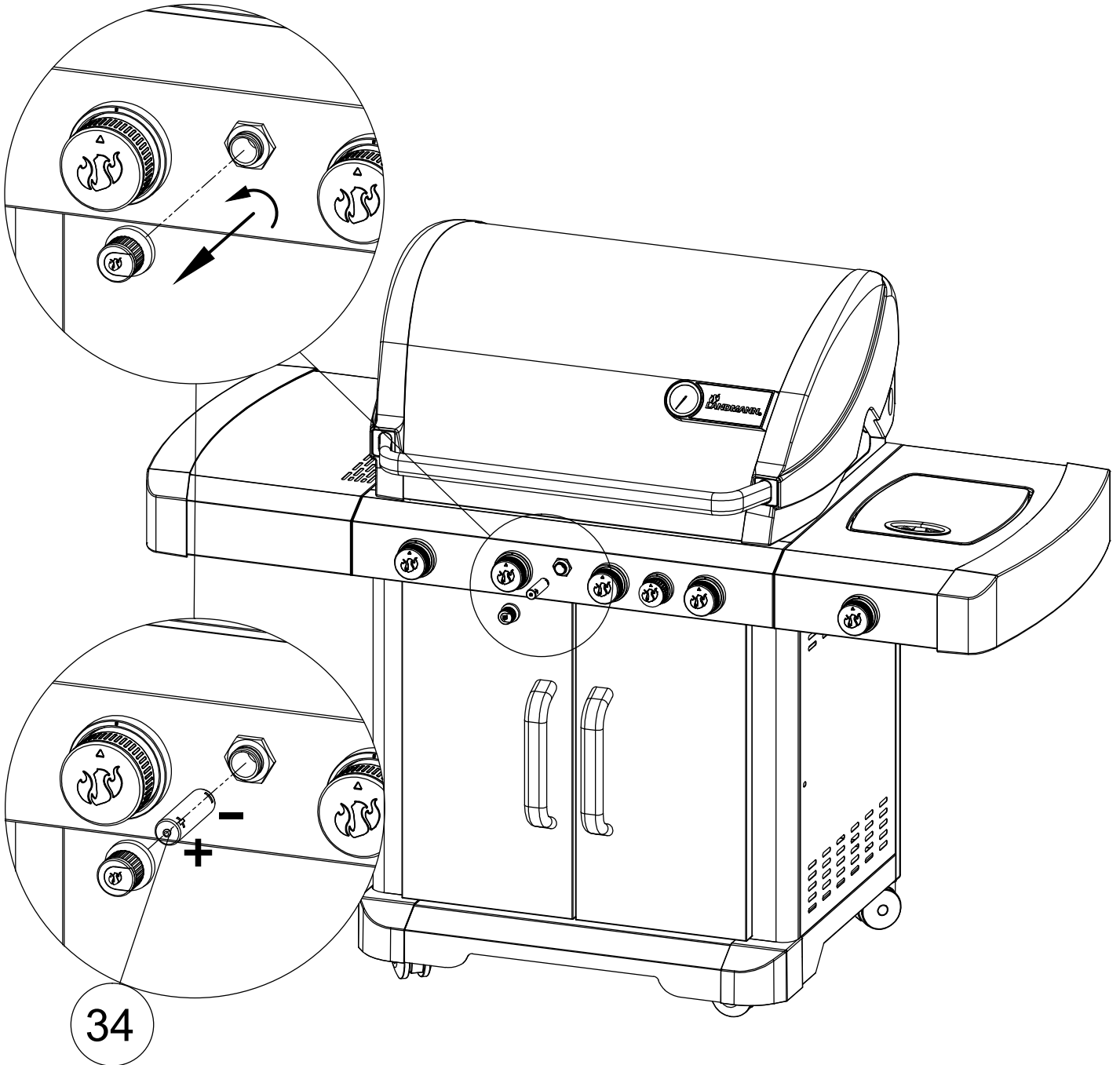


31.



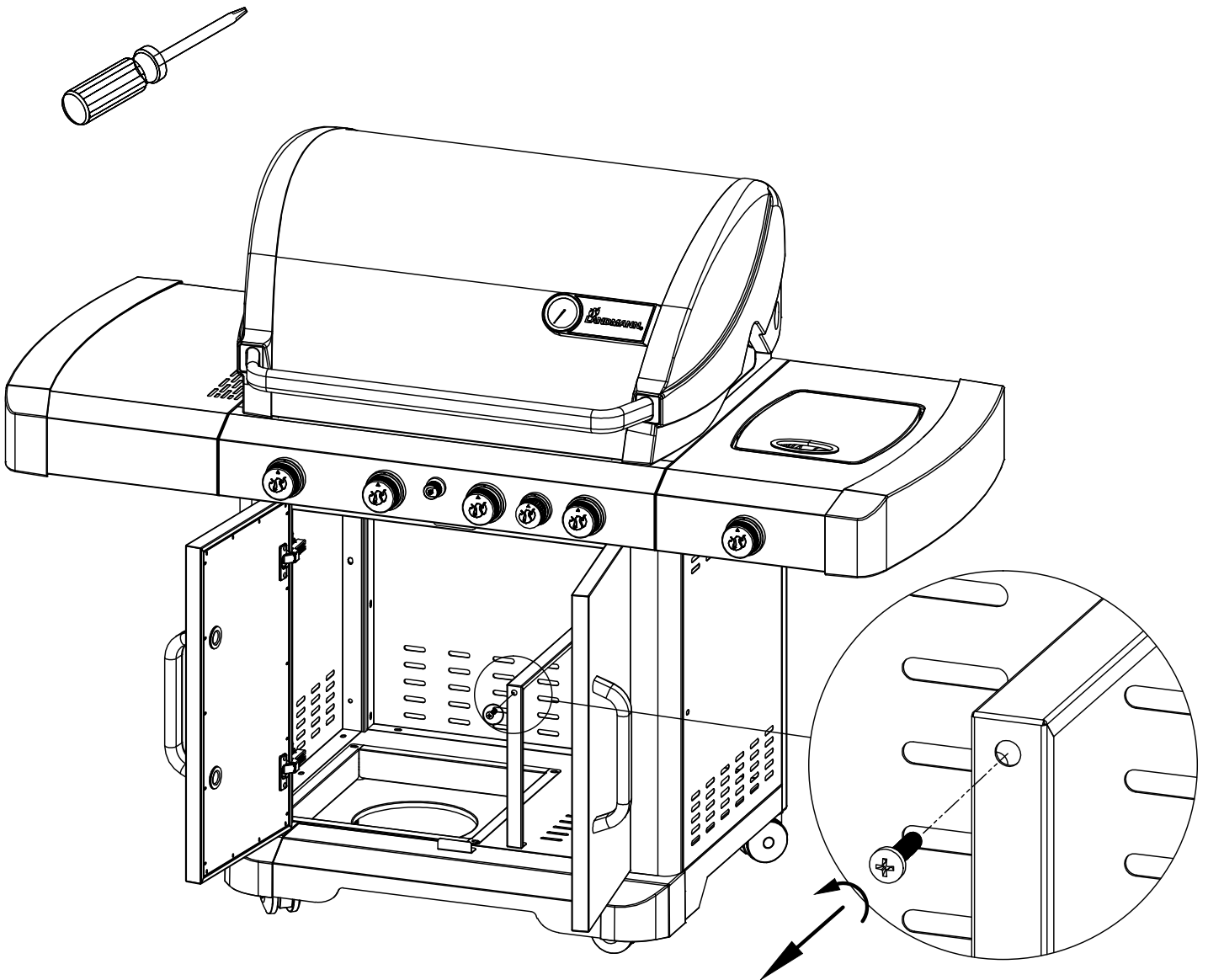
Assembly Instructions

32.



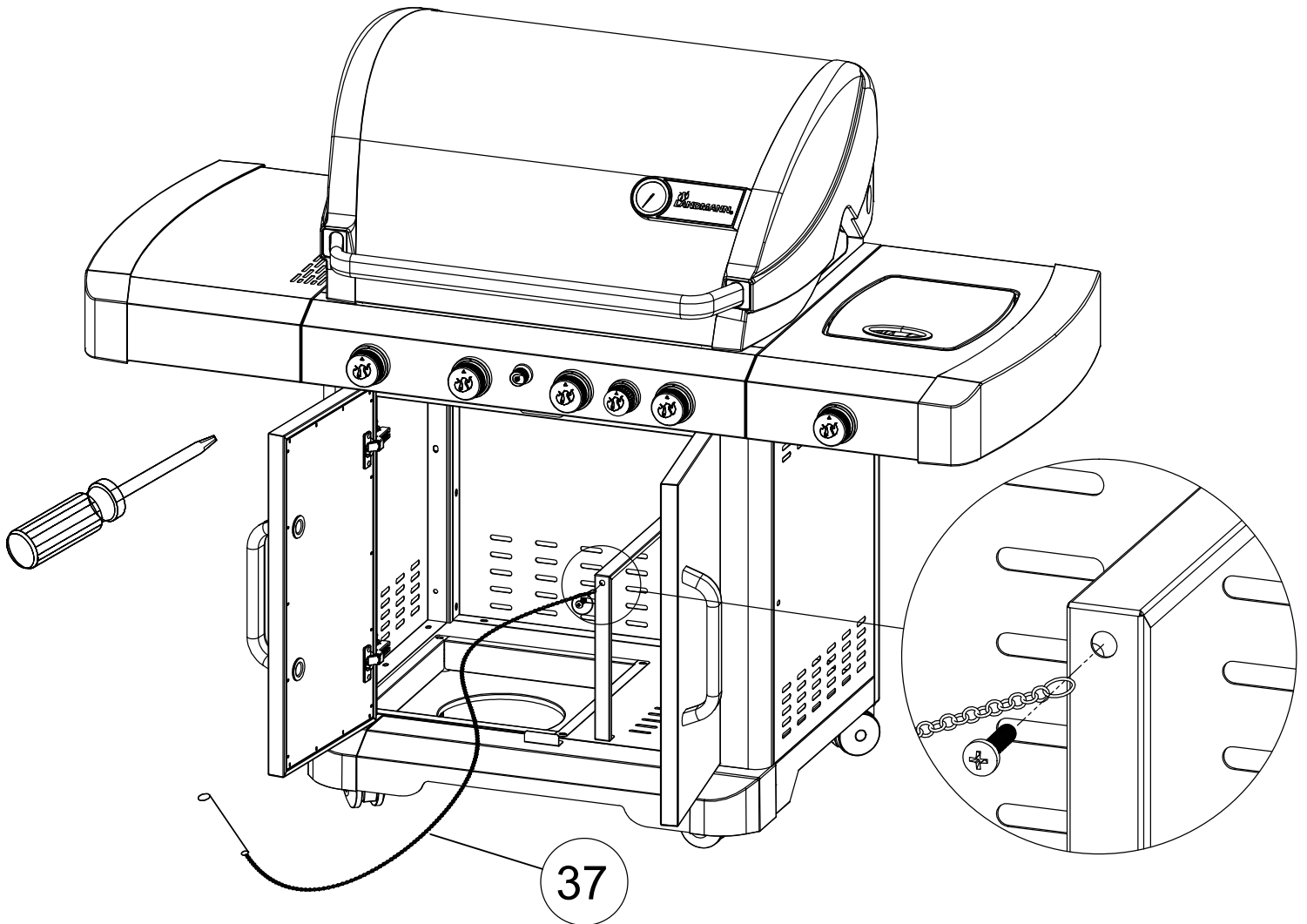
Assembly Instructions

33.



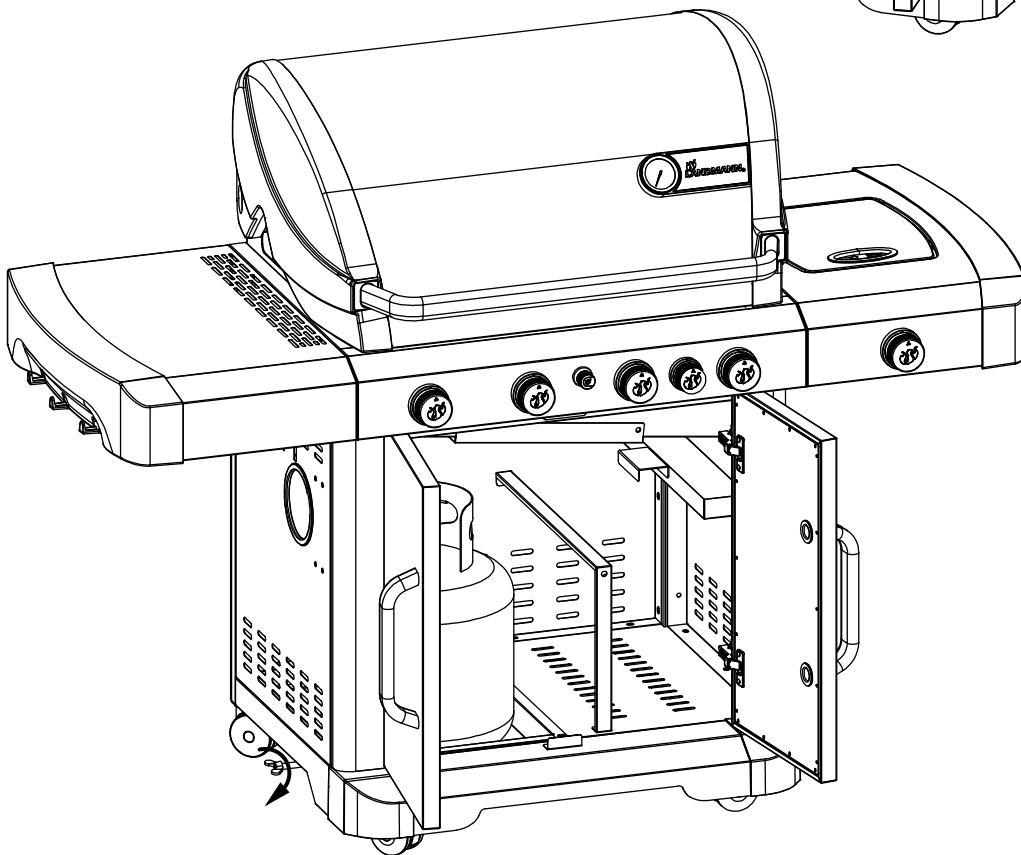
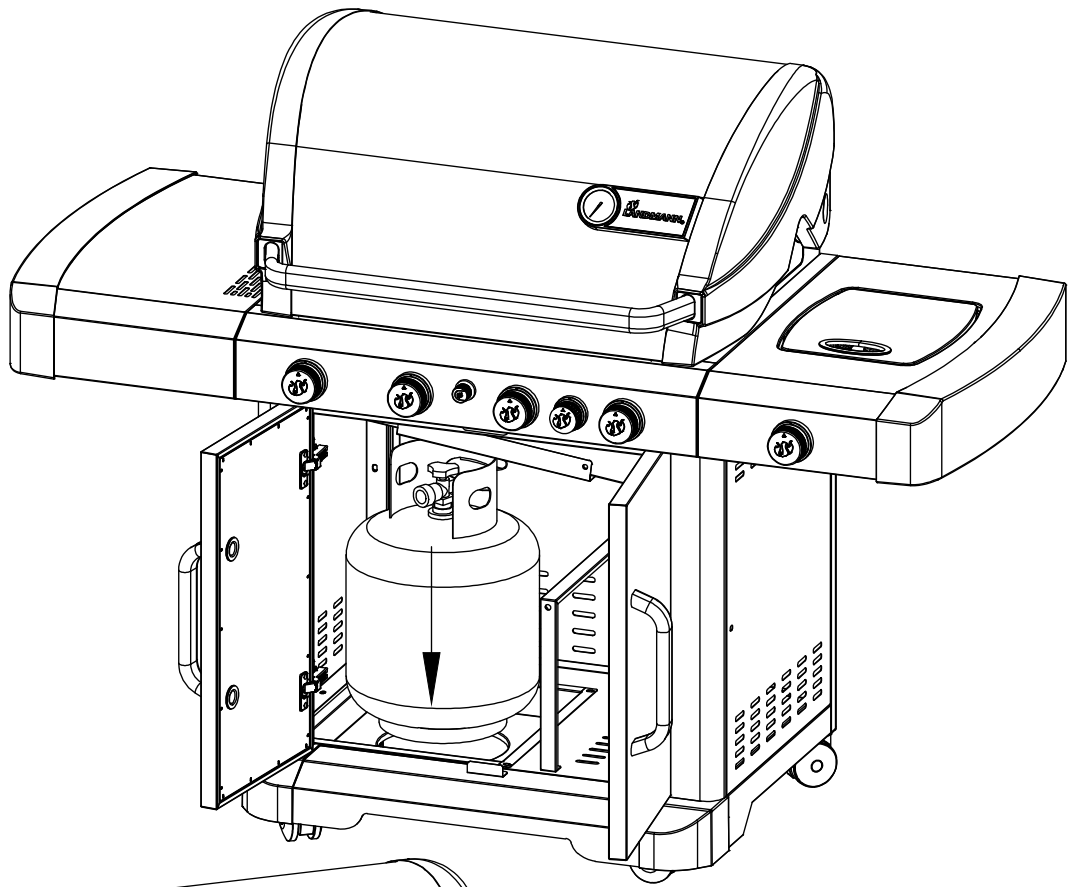
Assembly Instructions

34.

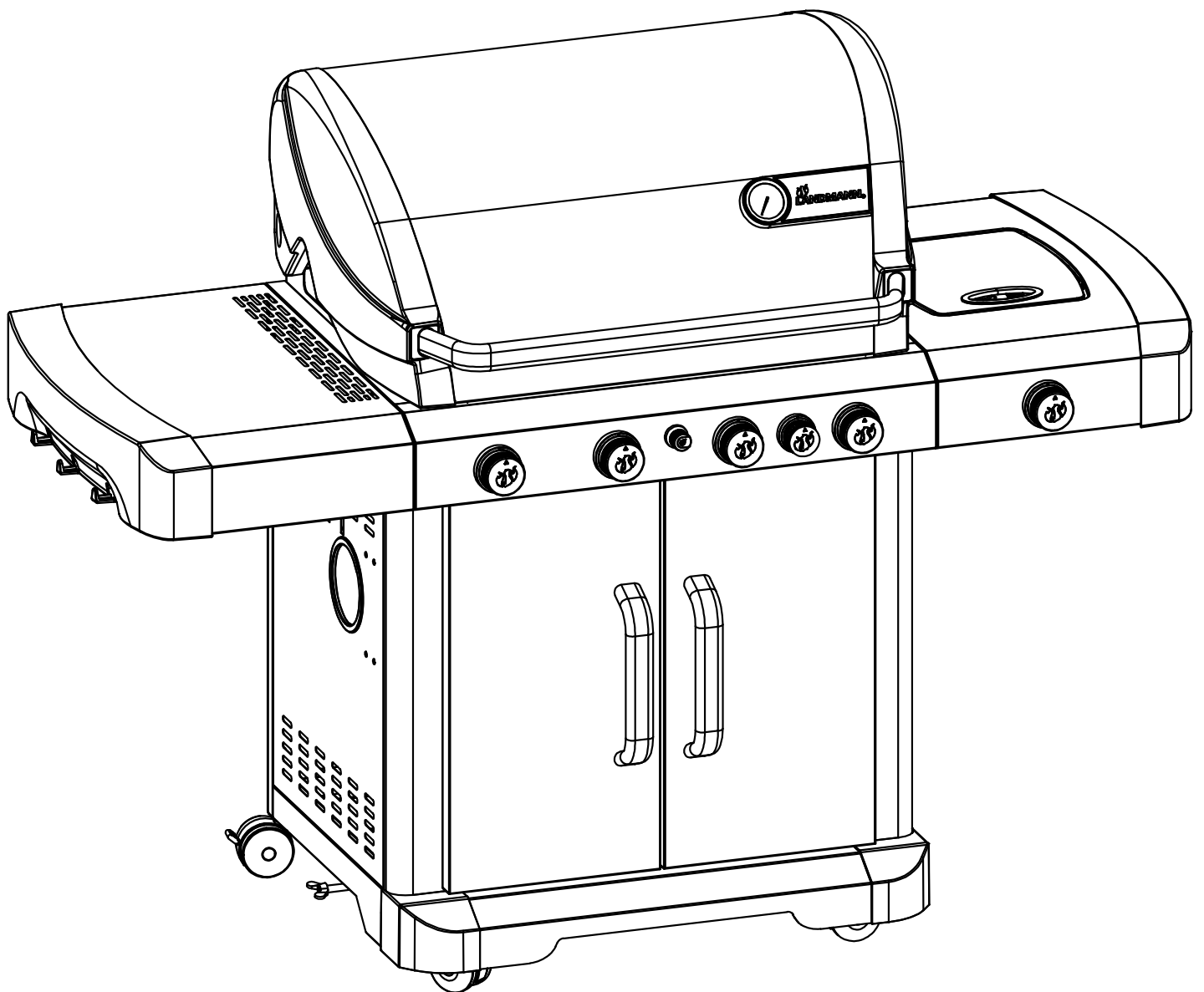


Assembly Instructions

35.



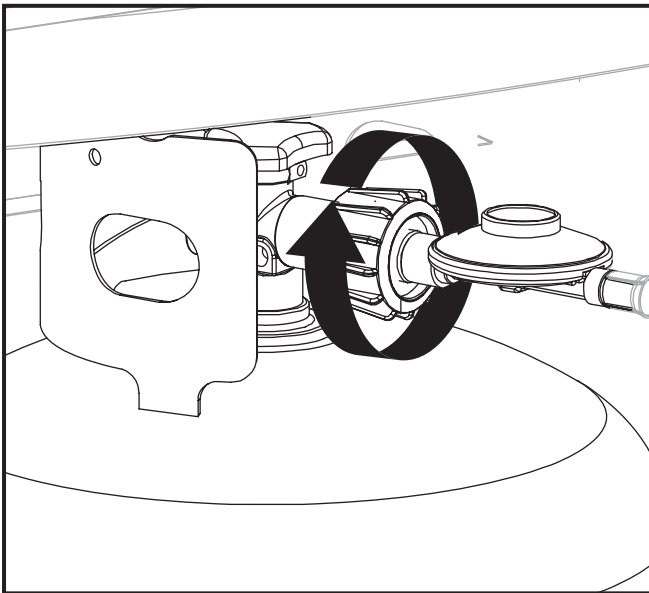
Assembly Instructions




Connecting Gas Cylinder

1. **ALWAYS** place the propane cylinder on the tank holder under the cart.
2. **ALWAYS** confirm that all burner control knobs are in OFF position before activating the gas supply.
3. Before connection, be sure that there is no debris caught in the head of the gas cylinder, head of the regulator valve, or in the head of the burner and burner ports.
4. **ALWAYS** connect the gas supply regulator as follows: Insert the nipple of the valve coupling into the tank valve and tighten the connection collar by turning it clockwise with one hand while holding the regulator with the other hand.
5. Disconnect the propane cylinder from the regulator valve when the grill is not in use.
6. **DO NOT** obstruct the flow of combustion air and ventilation air to the grill.
7. Keep ventilation openings of the cylinder enclosure free and clear from debris.

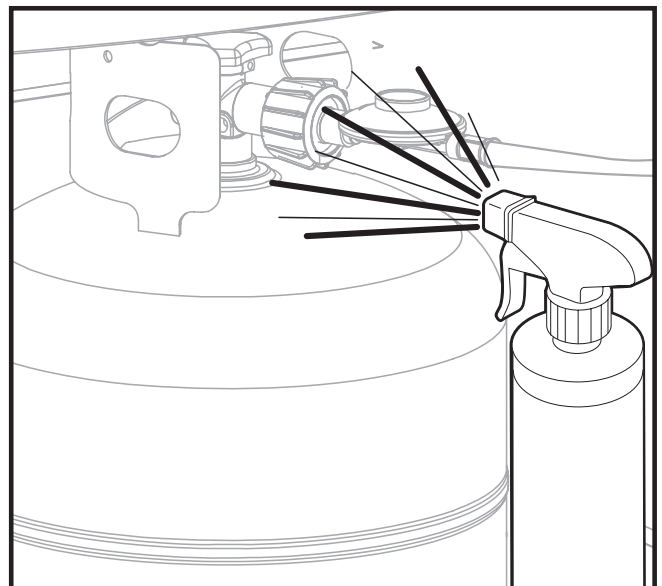
Please make sure the cylinder valve connection device shall properly and safely mate with the connection device attached to the inlet of the pressure regulator.



 DANGER	<p>prevent fire or explosion hazard when testing for a leak:</p> <p>ALWAYS perform the 'leak test' before lighting the grill and each time the cylinder is connected for use.</p> <p>DO NOT smoke or allow other sources of ignition in the area while conducting a leak test. Conduct the leak test outdoors in a well-ventilated area.</p> <p>DO NOT use matches, lighters or a flame to check for leaks.</p> <p>DO NOT use grill until all leaks have been stopped. If you are unable to stop a leak, disconnect the propane supply, call for gas appliance service or your local propane gas supplier.</p>
--	---

Checking for Leaks

1. Make 2-3 oz. of leak solution by mixing one part liquid dishwashing soap with three parts water.
2. Make sure control knobs are in the **OFF** position.
3. Spray some solution on the tank valve up to the valve connection. (See diagram to below.)
4. Inspect the solution at the connections for bubbles. If no bubbles appear, the connection is secure.
5. If bubbles appear, you have a leak. Go to step 6.
6. Disconnect the regulator from the tank and reconnect. Make sure the connection is tight and secured.
7. Retest with solution.
8. If "growing" bubbles appear do not use or move the LP cylinder. Contact an LP gas supplier or your fire department!





Main Burner Lighting Instructions

Prior to the first use, it is important to clean your grill with heat. This will clean the internal parts by burning off any residue and odor from the manufacturing process. To perform this cleaning, operate the grill for approximately 15-20 minutes at the highest heat setting with the cooking hood closed.


IMPORTANT

Please read these instructions before attempting to light the grill.

 WARNING	Failure to open the lid before igniting may result in an explosive flare-up, which can cause serious bodily injury or death.
---	--

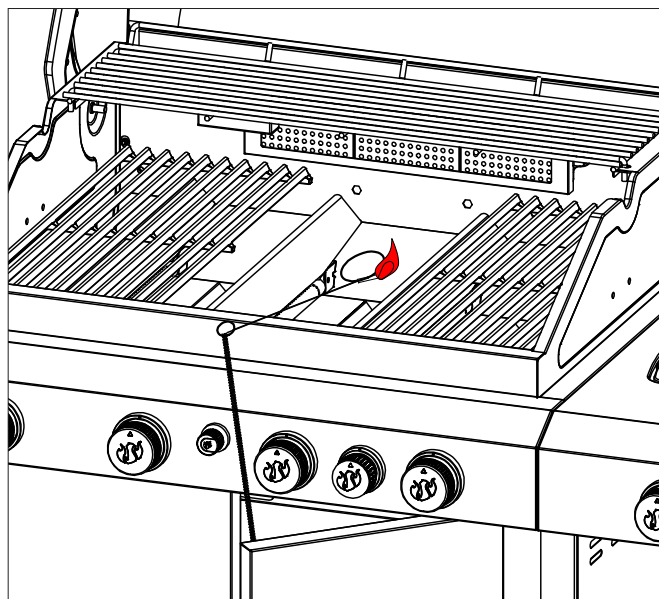
 WARNING	DO NOT lean over the open grill when lighting.
---	---

1. Open lid.
2. Ensure that all burner control knobs are in the “● OFF” position.
3. Turn on the gas supply.
4. Push and turn any main burner control knob to the “**Max**” position. Push and hold the electronic igniter button.
5. If the burner does not ignite, then immediately turn the control knob back to the “● OFF” position and repeat step 4 several times.
6. If the ignition flame and burner will not ignite within 5 seconds, turn the control knob to the “● OFF” position and wait 5 minutes for the gas to dissipate and then repeat step 4.

 WARNING	Failure to follow the five-minute waiting period may result in an explosive flare-up, which can cause serious bodily injury or death.
---	---

7. To extinguish the burner, push in the control knob and turn clockwise to the “● OFF” position.

Match Lighting



Note: Match lighting tool is located on the inside of the Cabinet.

1. Turn all gas control knobs to the ● OFF position
2. Turn on gas valve from gas source.
3. Lid **MUST** be open when lighting.
4. Remove the match lighting tool and stick a match into the end of the tool.
5. Light the match.
6. Once lit, guide the lit match under the grate.
7. Push in and turn the control knob to **Max** for the burner closest to the light match. The burner should light immediately.
8. Adjust burner control knob to the desired cooking temperature.

Using the Rotisserie Burner

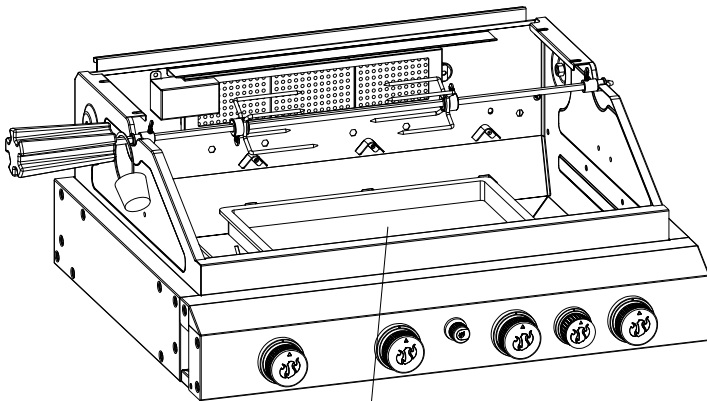
The rear infrared rotisserie burner allows for slow rotisserie cooking of meats & poultry. The infrared rotisserie burner radiates heat onto the outer surface of the food and allows cooking without grease dripping on the hot burners. Rotisserie cooking generally requires 1^{1/2} to 4^{1/2} hours to cook depending on the size and type of meat being cooked.

The rotisserie burner is designed only to be used for rotisserie cooking with the compatible rotisserie kit accessory which is sold separately and available from your local dealer.



Warning rack must be removed when operating the rotisserie burner.

Remove cooking grates and heat tents to provide adequate space for food to turn. Always place a large basting pan underneath the rotisserie food to catch grease and drippings and to prevent them from clogging up the main burners. The basting pan can be set directly on top of the main burners.



Basting pan

IMPORTANT

Please read these instructions before attempting to light the grill.



Failure to open the lid before igniting may result in an explosive flare-up, which can cause serious bodily injury or death.



DO NOT lean over the open grill when lighting.

1. Turn all gas control knobs to the **OFF** position.
2. Turn on gas valve from gas source.
3. Lid **MUST** be open when lighting.
4. Remove warming rack.

5. Push in and slowly turn the rotisserie burner knob to the **Max** position. Push and hold the electronic igniter button.
6. If the burner does **NOT** ignite within 5 attempts, turn the burner control knob to the **OFF** position, wait at least five minutes for the gas to clear and repeat this lighting procedure.

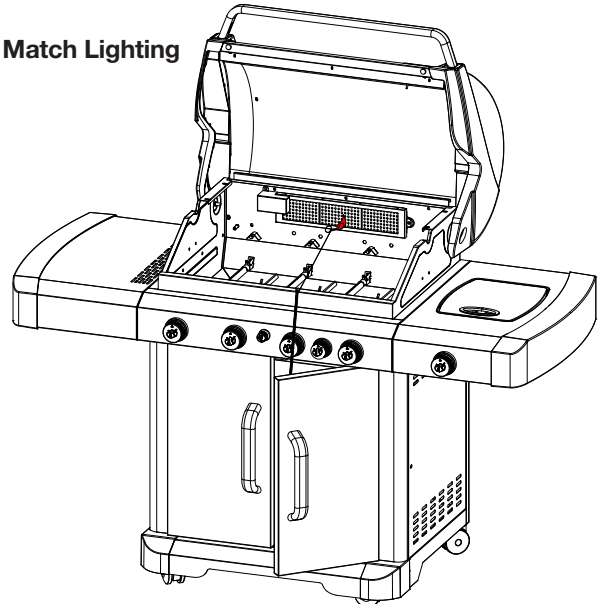


Failure to follow the five-minute waiting period may result in an explosive flare-up, which can cause serious bodily injury or death.

7. To extinguish the burner, push in the control knob and turn clockwise to the **OFF** position.

Note: Because there is some distance between the gas valve and the rotisserie burner, lighting the rotisserie burner may take several attempts to ignite the burner.

Match Lighting



Note: Match lighting tool is located on the inside of the door.

1. Turn all gas control knobs to the **OFF** position.
2. Turn on gas valve from gas source
3. Lid **MUST** be open when lighting.
4. Remove warming rack.
5. Remove the match lighting tool and stick a match into the end of the tool.
6. Light the match.
7. Once lit, guide the lit match to the front of the infrared rotisserie burner.
8. Push in and turn the rotisserie burner control knob to **Max**.
9. Adjust burner control knob to the desired cooking temperature.

Care and Maintenance

Please use the following guidelines to keep your grill clean and looking new. Before any cleaning, make sure the control knobs are in the **OFF** position and grill is cool to the touch.

Cleaning the Outside of the Grill


For painted surfaces clean thoroughly with a hot soapy water solution. Rinse with water and allow to completely dry.


For the stainless steel surfaces, use a good quality stainless steel cleaner.

- When cleaning, always rub or wipe in the direction of the stainless steel grain.
- For stubborn spots, always scrub in the direction of the stainless steel grain.
- **DO NOT** clean stainless steel with anything containing acid, mineral spirits or xylene.
- **DO NOT** use a wire brush or any abrasive cleaner on the stainless steel surface as this will cause scratches in the stainless steel finish.


Cleaning the Inside of the Grill

For safety and efficiency, it is important to remove any debris or excess grease that may accumulate inside the grill.

 WARNING	<p>If using a bristle brush to clean cooking surfaces make sure no loose bristles remain on the cooking surface as they may attach to food.</p>
---	---

 CAUTION	<p>Do not allow drippings or food residue to remain on the heat tents or grease tray. Clean regularly to ensure proper cooking performance.</p>
---	---

- Wipe off the inner lid liner with a paper towel to prevent grease build up.
- For the stainless steel heat tents, clean residue off with wire brush or a flat scraper.
- Remove the grease cup and empty into a suitable container. Then wipe with a paper towel to remove excess grease.
- Remove the grease tray from the grill and clean off residue with a wire brush or flat scraper, then wipe with a paper towel to remove any excess grease.

 CAUTION	<p>DO NOT line grease tray or grease cup with aluminum foil.</p>
---	---

Grease cup

The grease cup is located below the grill and should be cleaned after each use to prevent heavy buildup of debris.

Note: Allow the grease cup to cool before attempting to clean.

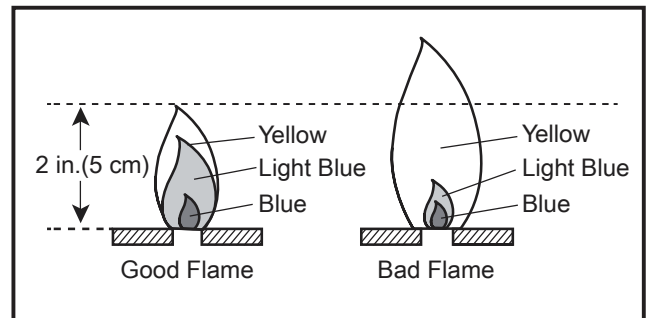
Hose Inspection

The hose should be inspected periodically for any signs of cracking, nicks, cuts or abrasions.

- If the hose is found to be damaged in any way **DO NOT** use the grill.
- The hose must be replaced by a certified hose as shown in the replacement parts section.

Checking the Flame

The flame coming out of the burners should be a blue/yellow combination and between one to two inches tall (see below).



To Remove Burner

Make sure all control knobs are in the OFF position, the LP gas supply valve has been closed, and the gas hose is disconnected from the gas supply.

1. Open Lid and remove warming rack, cooking grates and heat tents.
2. Using a 2 pt Phillips screw driver, loosen the screw holding the burner in the back of the grill.

Note: This is a screw/nut combination so make sure to hold the nut while removing the screw.
3. Slide the burner forward and then lift up and out of the firebox.
4. Unscrew the electrode & wire from the burner.

To Clean Burner

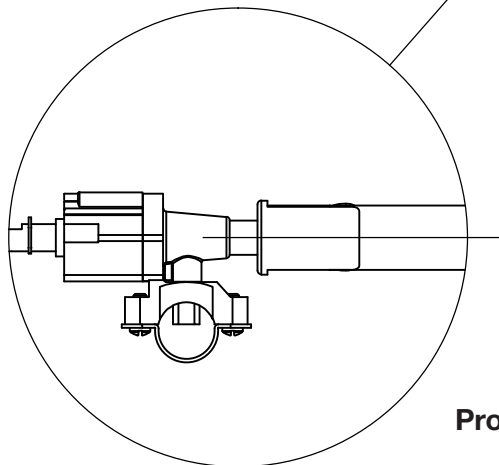
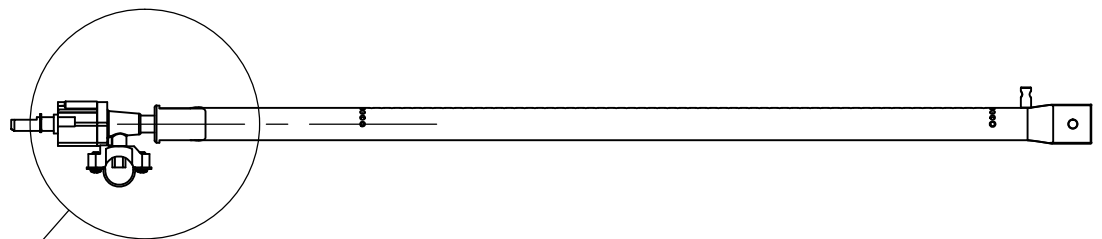
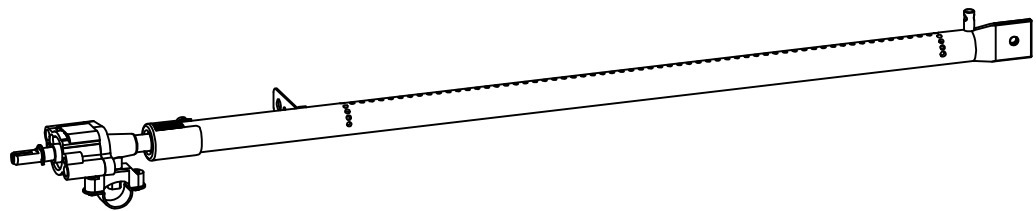
- Make sure all burner ports are clear of any clogs.

Tip: Use a pin or paper clip to unclog.
- Make sure the burner is free of any damage. If damage is found, replace the burner.
- Make sure the end of the burner and primary air screen are clear from insect nests, dirt, or debris.

Care and Maintenance

To Reinstall Burner

1. Be sure the gas valve orifices are correctly positioned inside the burner inlet.
2. Reattach the electrode and wire to the burner.
3. Reattach the screw/nut combination.
4. Reposition flame tents, cooking racks, and warming rack.



Proper alignment of gas valve orifices inside burner inlet.

Cooking Methods And Grilling Tips

Direct Heat

Direct heat cooking means that the food is placed on grill grates directly over the lighted burners.

- The lid position can be either up or down.
- If the lid is in the up position, generally cooking time may be longer.
- Direct heat is used to sear the food to seal in the natural juices by cooking with intense heat for a short period of time. The outside of the food is browned with a flavorful grilled coating


Before Grilling

- Make sure that the food items are completely thawed before grilling.
- With the grill lid closed, heat the grill on high for 5-10 minutes.
- **DO NOT** lift the lid during the preheating process.
- The preheating process with high heat is necessary to brown and seal juices of the food.
- For high-fat meat and poultry, trim excess fat from meats and shorten the preheat time. Both will help reduce flare-ups from dripping grease.
- Lightly oil the cooking grates when cooking low-fat meat, fish or poultry. Beware that using too much oil can cause a gray ash to deposit on the food.

During Grilling

- The temperature gauge on the lid indicates the cooking temperature inside the grill.
- Turn foods only once if possible. Juices are lost when meat is turned several times.
- Turn meat just when the juices begin to appear on the surface.
- Avoid puncturing or cutting the meat to test doneness. This allows the juices to escape.
- Add barbecue sauce only during the last 10 minutes of cooking to avoid burning the sauce.
- The doneness of the meat will be controlled by the type of meat, the size, shape and thickness of the meat, the heat setting or method, and the length of time on the grill.
- Cooking time will be longer with an open grill lid.
- Allow for more cooking time on cold and windy days, or at higher altitudes. In reverse, allow for less cooking time in extremely hot weather.
- Grilling conditions may require adjustments of the burners to obtain and maintain the correct cooking temperatures.
- Use tongs for turning and handling meat instead of a fork, to avoid losing the meat juices.
- If a flare up occurs, turn the control knob to the “● **OFF**” position and move the food to another area of the cooking grate. After flames subside, relight the burners using the lighting instruction in this manual.
- **NEVER** use water to extinguish flame on a gas grill.

Troubleshooting

Problem	Cause	Solution
Grill will not light.	<ol style="list-style-type: none"> 1. LP cylinder valve is closed. 2. LP cylinder gas level is low. 3. No ticking sound when electronic igniter button is pushed. 4. "Match lighting" may be necessary. 5. Electrodes may be wet. 6. Debris is blocking the electrodes. 7. No spark shows at electrode tip. 	<ol style="list-style-type: none"> 1. Turn ON LP cylinder valve. 2. Replace LP cylinder. 3. Check to make sure that battery is installed correctly with + facing out. Replace battery if necessary. 4. "Match lighting" light grill per this manual's instructions. 5. Dry electrodes with dry cloth. 6. Clean electrodes with rubbing alcohol and retry. 7. Replace electrode.
Flame will not stay lit.	<ol style="list-style-type: none"> 1. LP cylinder valve is closed. 2. LP cylinder gas level is low. 3. Burner is not properly installed or dirty. 	<ol style="list-style-type: none"> 1. Turn ON LP cylinder valve. 2. Replace LP cylinder. 3. Reinstall burner properly and clean out any debris.
Flame is low, irregular or noisy.	<ol style="list-style-type: none"> 1. LP cylinder gas level is low. 2. Improper lighting procedure. 3. Burner ports may be clogged. 4. Gas supply may be bent or kinked. 5. Grill may be in an area that is too windy. 6. There are obstructions such as grease debris, or insects in air inlets. 	<ol style="list-style-type: none"> 1. Replace propane cylinder. 2. Disconnect LP hose regulator from LP tank, reconnect and then follow lighting procedure exactly as listed. 3. If only one burner is affected, check and clean the burner ports. 4. Straighten out the gas supply hose. 5. Wait until wind subsides to continue. 6. Clean burner air inlets of obstructions.
Excessive flare-ups <div style="border: 1px solid black; padding: 5px; margin-top: 10px;">  <p style="text-align: center; font-weight: bold; margin: 0;">CAUTION</p> <p>DO NOT spray water on the gas flames – this could damage the grill.</p> </div>	<ol style="list-style-type: none"> 1. Flare-up are normally caused by excessive fat from meat being grilled. 2. Grill is dirty. 3. The cooking temperature may be too high. 4. Lid is closed. 5. Food is overcooked or burnt. 6. Firebox, grease tray and grease cup are full of grease. 	<ol style="list-style-type: none"> 1. Trim fat from meat being grilled. 2. Make sure grill is clean. 3. Keep flame on low or turn one burner off. 4. Keep the lid up when grilling to avoid excessive flare-ups. 5. Move food to another area of the grill until flames subside. 6. Clean firebox, grease tray and grease cup.
Grill does not get hot enough.	<ol style="list-style-type: none"> 1. Propane cylinder gas level is low. 2. Gas flow limiting device may have been activated. 	<ol style="list-style-type: none"> 1. Replace or refill LP Cylinder. 2. Turn OFF Control Knobs & LP Cylinder valve. Disconnect regulator from LP Cylinder. Inspect & clean LP Cylinder fitting and regulator connector. Wait 1minute. Reconnect regulator and perform leak test. Light grill following exact lighting procedure.

Replacement Parts

Part	Description	QTY	Part #
AA	Grill lid	1	AV0073
AB	Locknut	2	AV0002
AC	Rotisserie burner	1	AV0074
AD	Warming rack	1	AV0075
AE	Rotisserie burner gas hose	1	AV0076
AF	Rotisserie burner gas elbow & orifice	1	AV0077
AG	Side burner grate	1	AV0004
AH	Side burner lid	1	AV0005
AI	Side burner lid handle	1	AV0006
AJ	Side burner lid hinge assembly	2	AV0007
AK	Rubber bumper	4	PF0001
AL	Lid hinge	2	AV0008
AM	Lid handle	1	AV0078
AN	Logo plate	1	AV0010
AO	Temperature gauge 2.5"	1	AV0011
AP	Cooking grate small	3	AV0014
AQ	Heat tent	4	AV0013
AR	Front heat shield	1	AV0079
AS	Side burner shelf	1	AV0016
AT	Side burner shelf end cap	1	AV0017
AU	Side burner electrode	1	AV0018
AV	Side burner electrode wire	1	AV0019
AW	Side shelf end cap left	1	AV0020
AX	Side shelf left	1	AV0021
AY	Lower heat shield	3	AV0022
AZ	Control panel	1	AV0080
BA	Flexible gas hose	1	AV0024
BB	Side burner bracket A	1	AV0025
BC	Side burner	1	AV0026
BD	Side burner manifold & valve assembly	1	AV0027
BE	Side burner bracket B	1	AV0028
BF	Support pin	12	AV0029
BG	Firebowl side cover left	1	AV0030
BH	Rotisserie burner electrode cover	1	AV0081
BI	Rotisserie burner electrode & wire	1	AV0082
BJ	Main burner electrode & wire 450mm	2	AV0035
BK	Main burner assembly	4	AV0032
BL	Screw (M6x16)	2	AV0033
BM	LP tank screw	1	AV0034
BN	Rotisserie burner shield	1	AV0083
BO	Side burner bracket C	1	AV0037
BP	Side burner gas hose	2	AV0038
BQ	Main burner electrode & wire 250mm	2	AV0031
BR	Grill firebox	1	AV0084
BS	Cart side panel gasket	1	AV0039
BT	Cart left side panel	1	AV0040


Replacement Parts

Part	Description	QTY	Part #
BU	Cart right side panel	1	AV0041
BV	Cart top cross brace	1	AV0085
BW	Manifold and valve assembly	1	AV0086
BX	Electronic igniter	1	AV0087
BY	Clamp	2	AV0045
BZ	Door hinge	4	AV0046
CA	Flexible gas hose	1	AV0047
CB	Cart leg front right	1	AV0048
CC	Cart door	2	AV0088
CD	Grease cup	1	AV0050
CE	Firebowl back cover	1	AV0089
CF	Firebowl side cover right	1	AV0052
CG	Cart leg back left	1	AV0053
CH	Grease tray door	1	AV0090
CI	Cart door handle	2	AV0055
CJ	Cart door handle sleeve	4	AV0056
CK	Cart base door stop	1	AV0091
CL	Cart base front left	1	AV0057
CM	Cart base front center	1	AV0092
CN	Cart leg front left	1	AV0059
CO	Non-locking caster	2	PC0003
CP	Cart base panel	1	AV0093
CQ	Locking caster	2	PC0005
CR	Cart back panel	1	AV0094
CS	Grease tray	1	AV0095
CT	LP tank tray	1	AV0066
CU	Cart leg back right	1	AV0062
CV	Cart base front right	1	AV0064
CW	Control knob bezel	5	PC0146
CX	Control knob	5	AV0063
CY	Rotisserie burner control knob	1	AV0096
CZ	Rotisserie burner control knob bezel	1	AV0097
DA	Grease tray support left	1	AV0067
DB	Grease tray support right	1	AV0068
DC	Rotisserie burner cover	1	AV0098
DD	Grease tray heat shield	1	AV0070
DE	LP Tank bar A	1	AV0099
DF	AA battery	1	AV0069
DG	LP hose & regulator	1	PC0118
DH	Match lighting tool & chain	1	PC0156
Parts Not Shown			
	Instruction manual	1	AV0119
	Hardware pack	1	AV0120

Natural Gas Conversion

Installation Safety Precautions

Natural Gas Conversion Kit (part # 42306) sold separately and available through your local dealer.

 WARNING	<p>This grill is designed for natural gas use at 7 inch water column supply pressure. Verify supply pressure with your local gas company. If supply pressure is different than this, contact a certified plumber for assistance. Once appliance is converted to use with natural gas (NG), do not use with LP gas.</p>
---	--

Grill installation must conform with local codes, or in their absence with **National Fuel Gas Code, NFPA 54/ ANSI Z223.1**. Grill is not for use in or on recreational vehicles and/ or boats.

All electrical accessories (such as rotisserie sold separately) must be electrically grounded in accordance with local codes, or **National Electrical Code, ANSI/NFPA 70**. Keep any electrical cords and / or fuel supply hoses away from any hot surfaces.

This grill is safety certified for use in the United States and Canada only. Do not modify for use in any other location. Modification will result in a safety hazard.

Natural Gas Connections and Service Regulators Above 1/2 psi.

Prior to 1998, all residual gas service regulators were set with an outlet pressure of 7 inches water column.

In the 1998 edition of NFPA54, the National Fuel Gas Code, a change was made allowing service regulators of 2 and 5 psi.


With this change it was also required that an in line regulator be connected between the service regulator and the appliance regulator if the 2 or 5 psi system is used. This additional regulator is not supplied with the product.

It is possible for a consumer, making the connection themselves, or a plumber, not checking, to tap into a 2 or 5 psi line. If a pressure of 2 psi or greater is supplied to the appliance regulator on certain grills it will shut down and not deliver any gas to the grill. Other concerns are if you use a quick disconnect socket and hose these are typically only rated for 1/2 psi.

If a quick disconnect socket, hose, and grill are properly connected and still not getting gas, delivery pressure needs to be verified. If pressure is greater than 1/2 psi, make sure that an in line regulator is present.

Once the grill has been over-pressured, the regulator may or may not have been damaged.

The best practice is to replace the regulator.

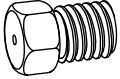
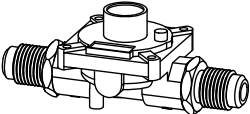
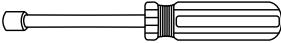
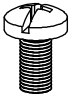
 WARNING	<p>Incorrect connection can result in a gas leak with possibility of fire.</p>
---	--

 WARNING	<p>For residential use only. Do not use for commercial applications</p>
---	--

Natural Gas Conversion

Parts List/ Diagram

Natural Gas Conversion Kit (part # 42306) sold separately and available through your local dealer.

	<p>Natural gas orifices 7PCS</p>
	<p>Natural gas regulator 1PCS</p>
	<p>Orifice removal tool 1PCS</p>
	<p>Screw M4x8 2PCS</p>
	<p>42304 NG rating label 1 PCS</p>



WARNINGS & CAUTIONS:

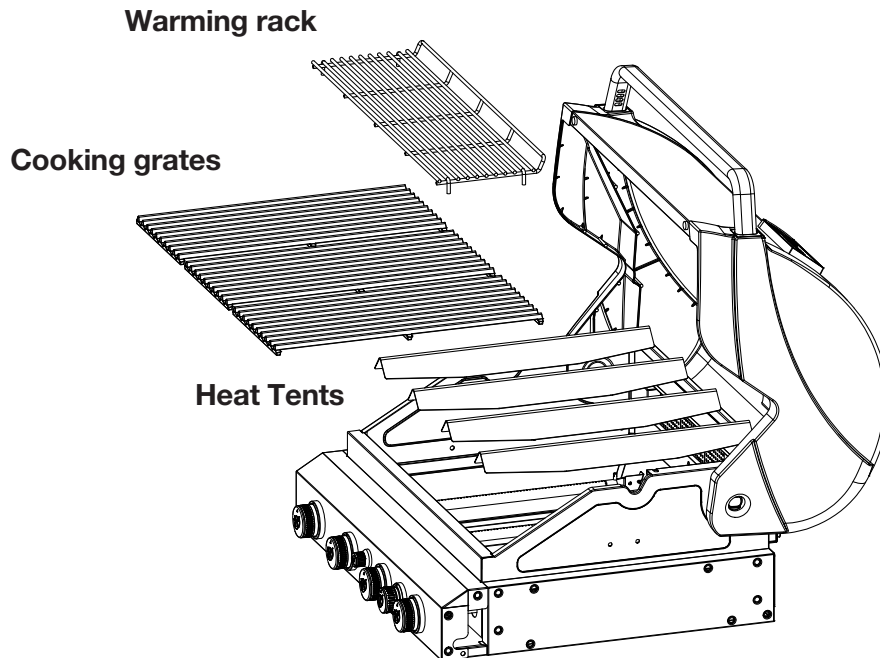
1. For OUTDOOR USE ONLY.

2. Turn off NG supply at piping when the appliance is not in use.
3. Use only the gas pressure regulator supplied with this appliance.
4. This regulator is set for an outlet pressure of 4" W.C.
5. If the information above is not followed exactly, a fire causing death or serious injury may occur.
6. Minimum clearance from sides and back of unit to combustible construction, 24 inches from sides and 24 inches from back.

Natural Gas Conversion

Step 1

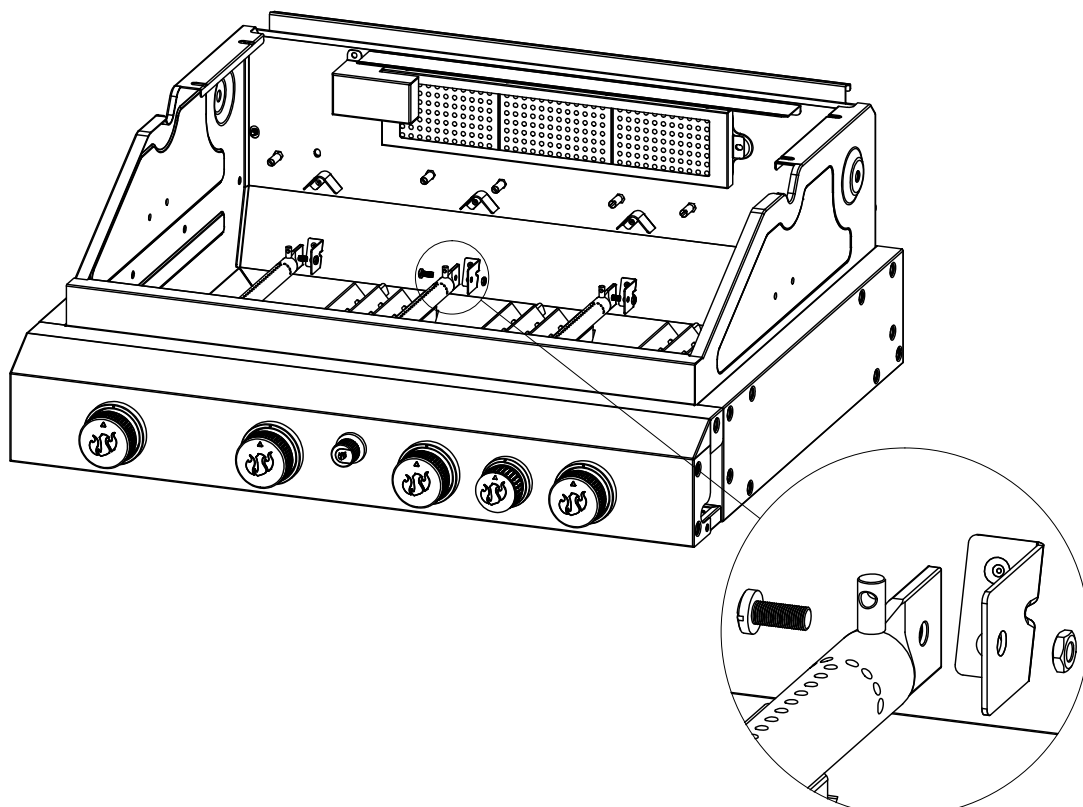
- First, make sure all control knobs are in the OFF position, LP tank valve is closed, and tank is disconnected from regulator and removed from grill.
- Next, open Lid and remove Warming Rack, Cooking Grates, and Heat Tents.



Step 2

- Using a Phillips head screwdriver and a wrench, remove the screws and nuts from the burners. Then remove burners from gas valve orifices.

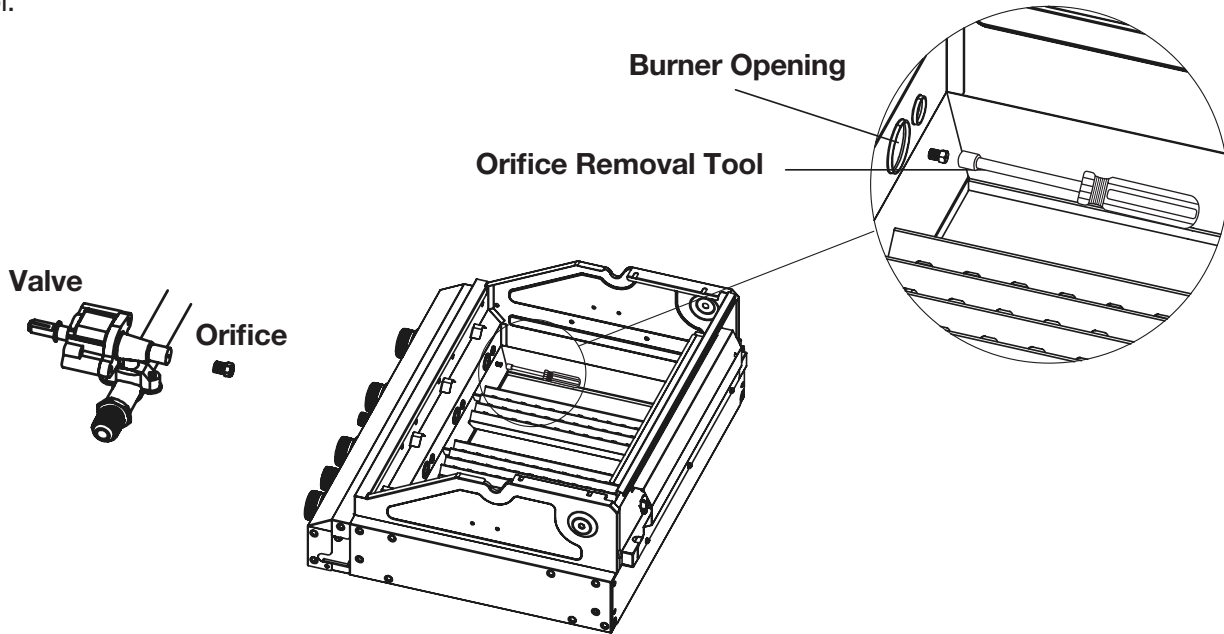
Note: The burners can rest inside of the firebox with the igniter wires still attached.



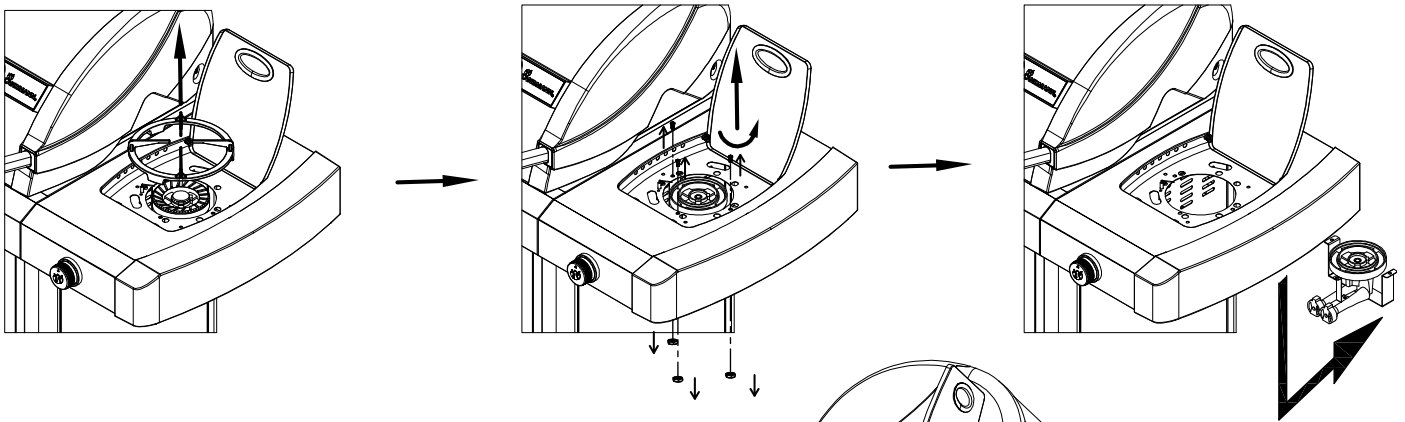
Natural Gas Conversion

Step 3

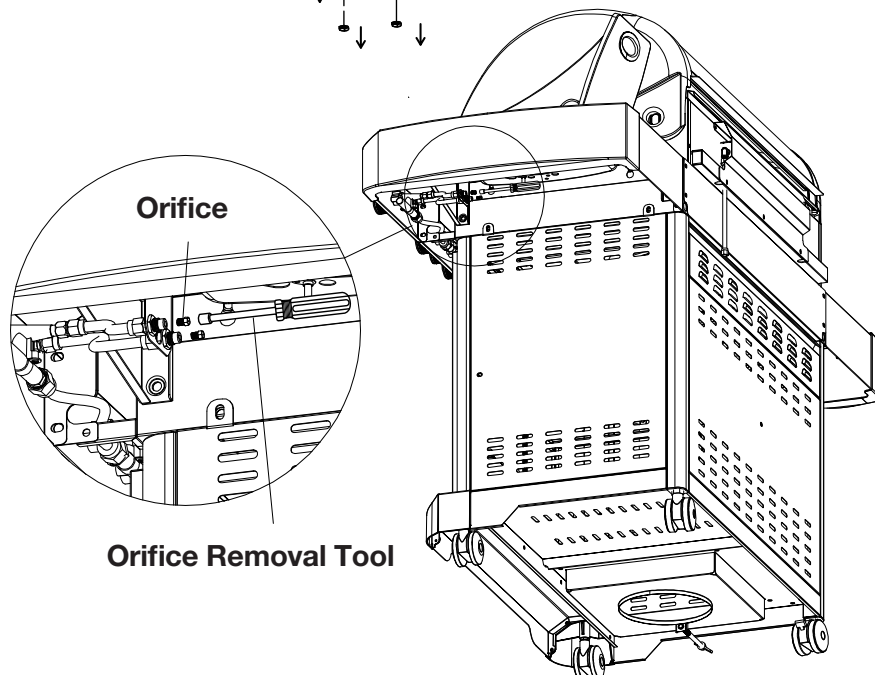
- Insert Orifice Removal Tool into Firebox Burner opening and unscrew Main Burner Orifices from ends of Valves. Save removed Orifices for later use if converting back to LP Gas. Use the Burner Orifice Reference Chart on the bottom of page 45 to install the correct NG orifices in each burner using the orifice removal tool.



Step 4

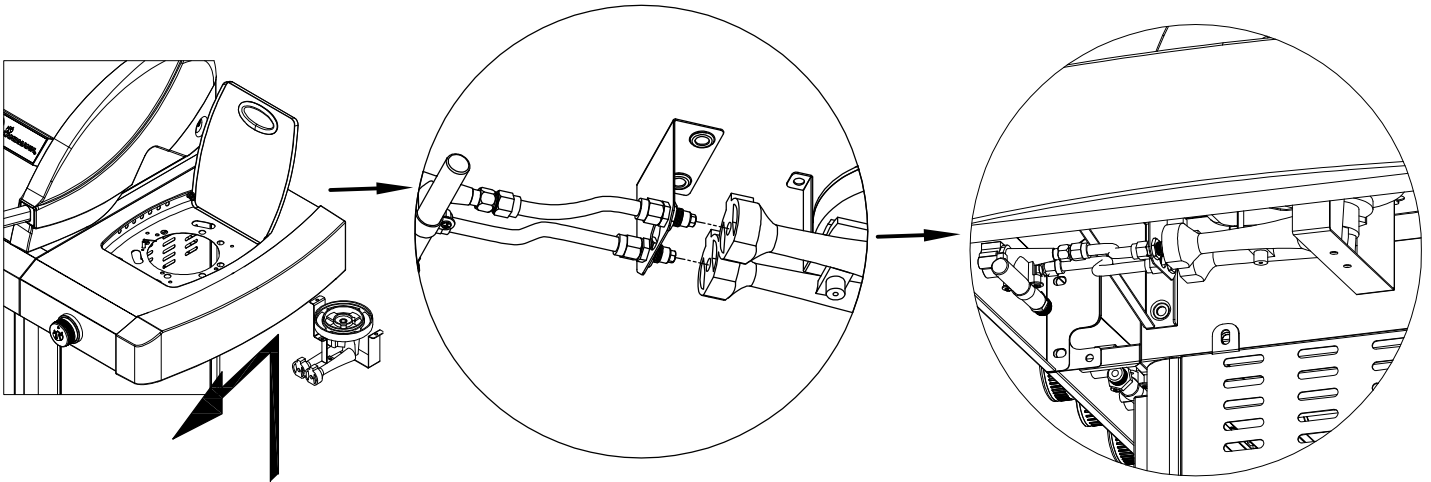


Step 5

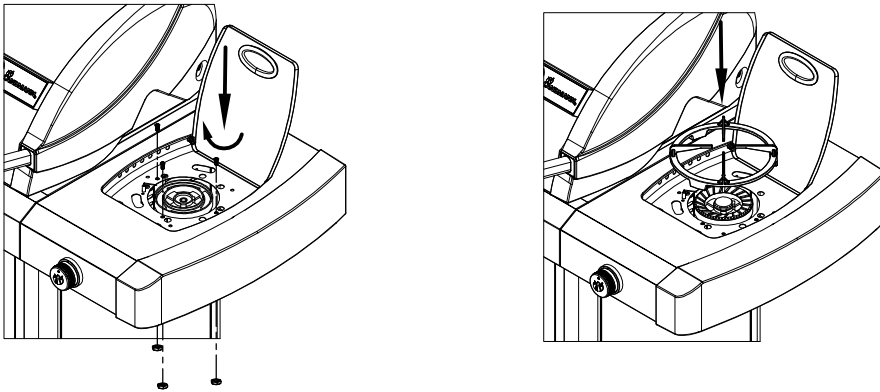


Natural Gas Conversion

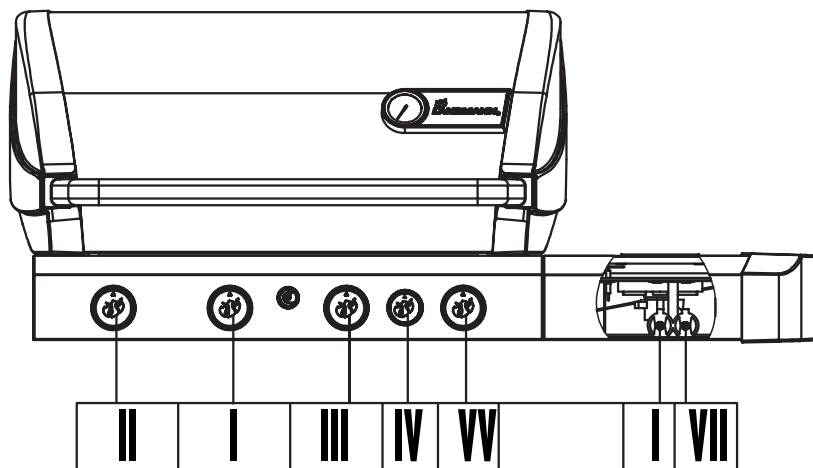
Step 6



Step 7



Burner Orifice Reference Chart



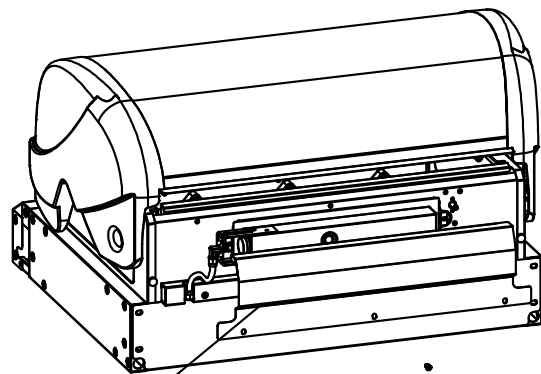
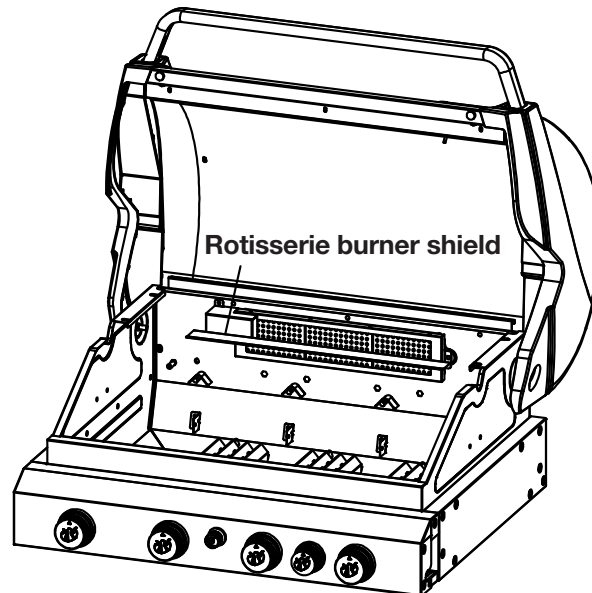
Model	Burner #	I	II	III	IV	V	VI	VII
42301	Orifice Size (LP) (mm)	Ø 0.93	Ø 0.89	Ø 0.89	Ø 1.02	Ø 0.93	Ø 0.69	Ø 1.12
42304	Orifice Size (NG) (mm)	Ø 1.49	Ø 1.41	Ø 1.41	Ø 1.75	Ø 1.49	Ø 1.15	Ø 2.15

The orifice sizes are stamped on the end of the orifices.

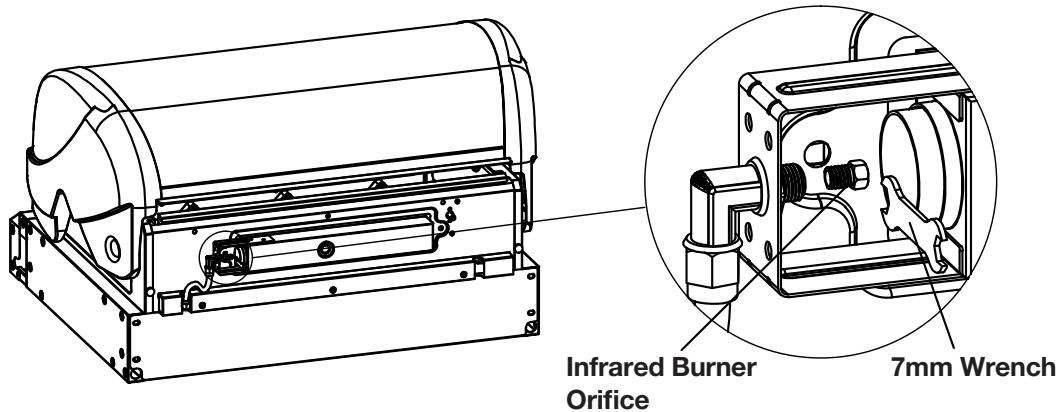
Natural Gas Conversion

Step 8

- Use Phillips head screwdriver to remove Rotisserie burner shield and Rotisserie burner cover
- Remove Infrared Burner Orifice with 7mm wrench
- Install Orifice for Natural Gas
- Install Rotisserie burner cover. Do not reinstall Rotisserie burner shield



Rotisserie burner cover



Infrared Burner Orifice

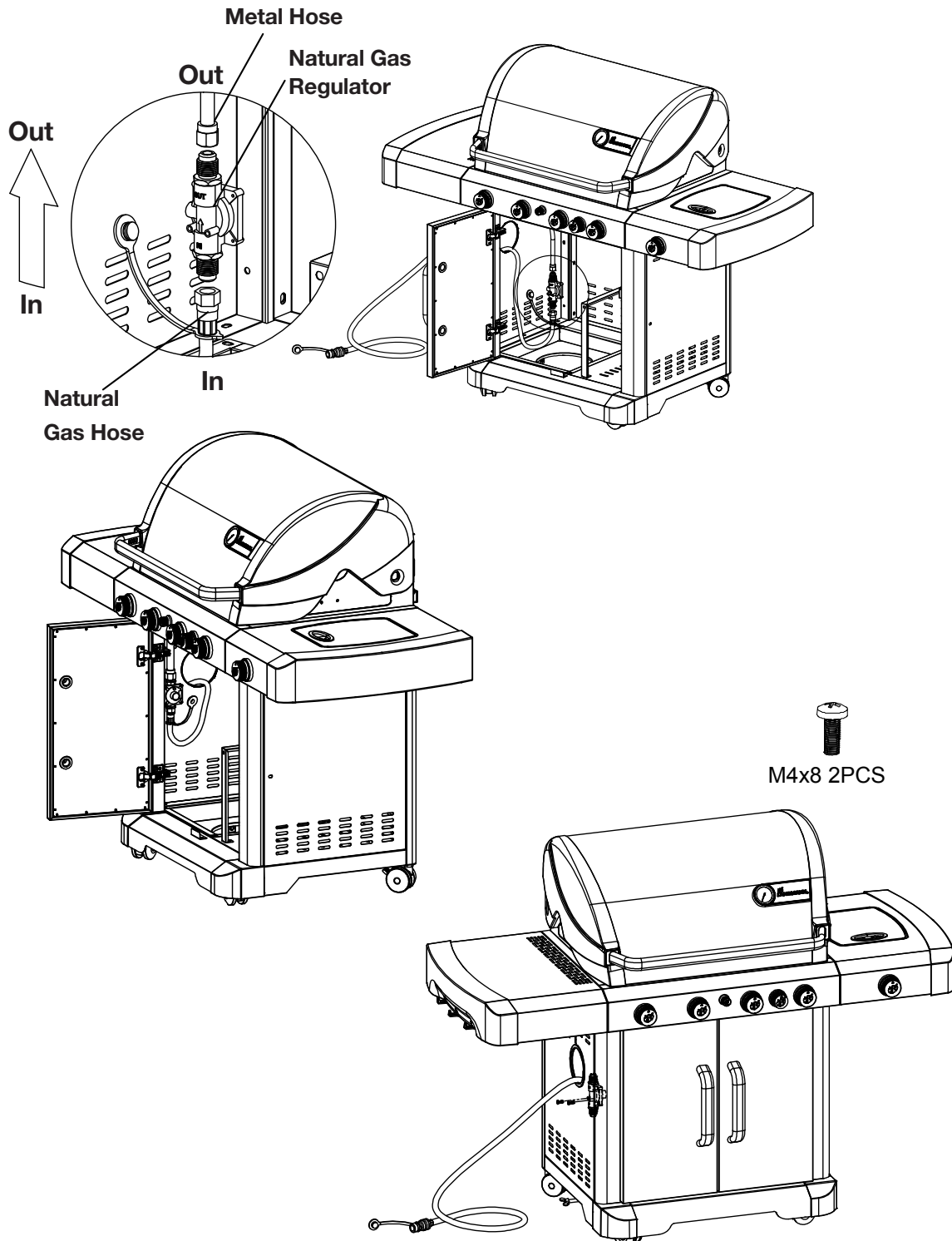
7mm Wrench

Natural Gas Conversion

Step 9

- Remove LP hose & regulator and connector from metal hose.
- Connect Natural Gas Regulator to Metal Hose
- Connect Natural Gas Hose to Natural Gas Regulator
- Fix Natural Gas Regulator
- Attach Natural Gas regulator to cart left side panel using two M4x8 screws

Make Sure the “In” and “Out” of Natural Gas Regulator are in the correct direction.



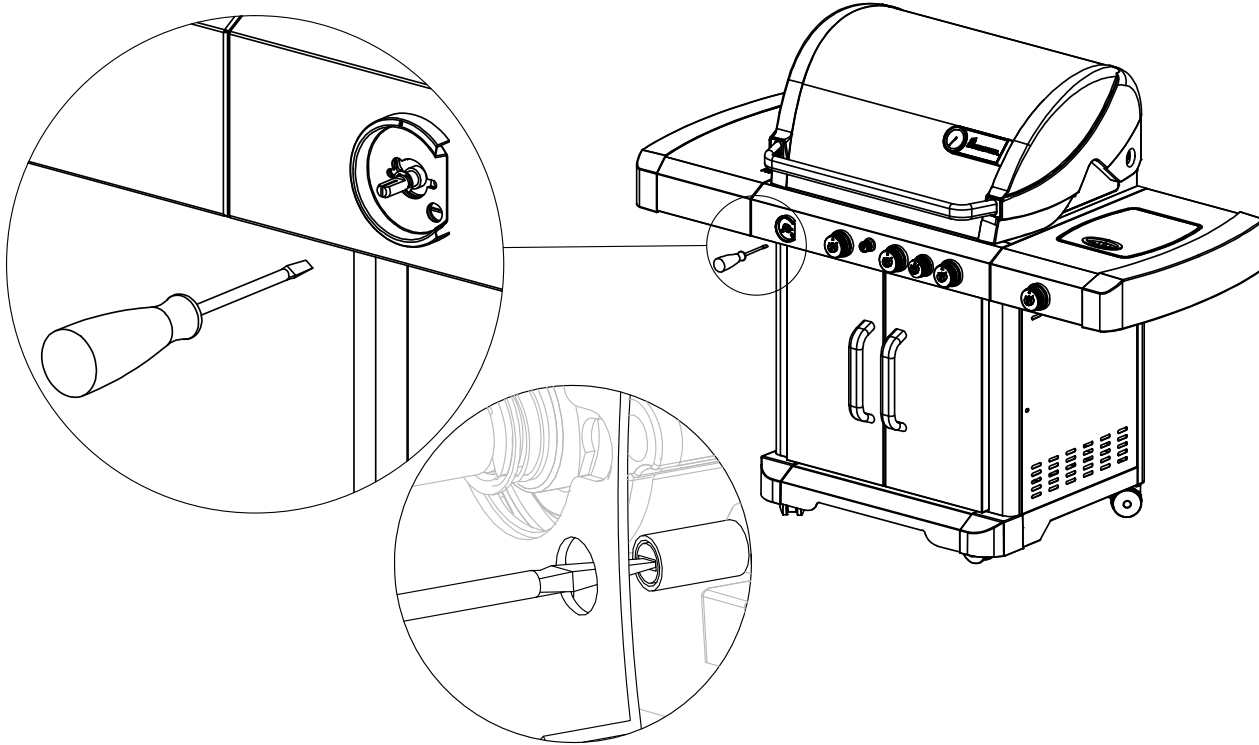
Natural Gas Conversion

Step 10

Convert Valves to Natural Gas:

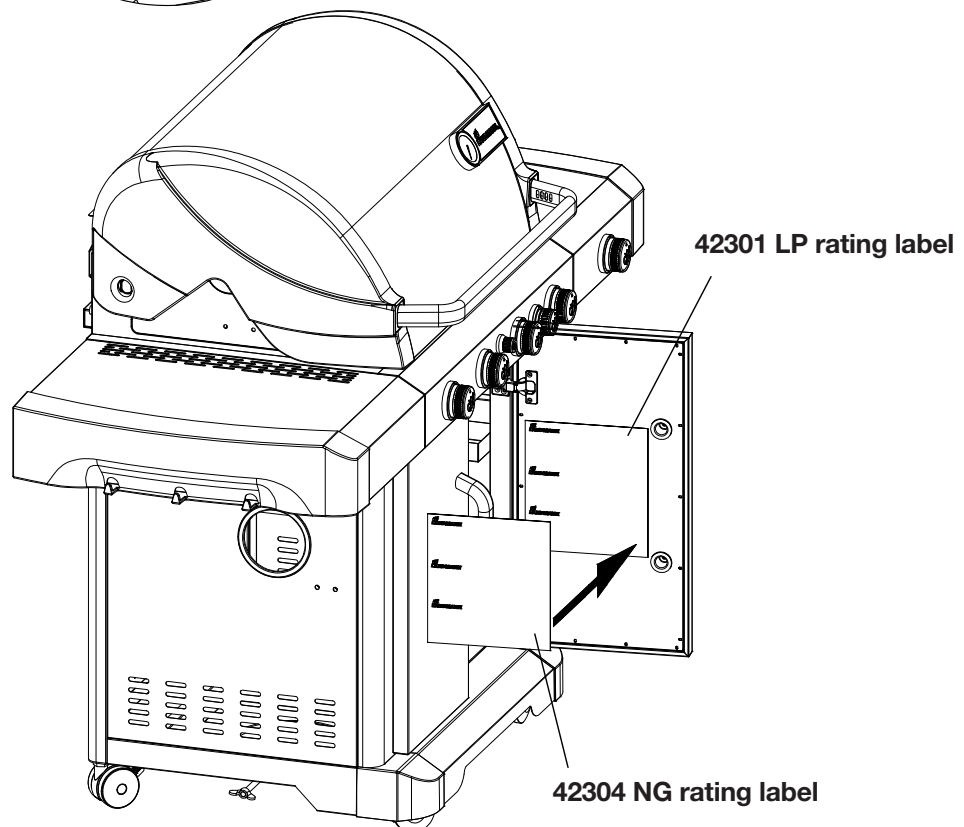
- Remove control knobs.
- Using a small flat head screwdriver turn the minimum rate screw counterclockwise until it stops.
- Reinstall control knobs.

Note: The minimum rate screw setting for Natural Gas is turned all the way counterclockwise, for LP it should be turned all the way clockwise.



Step 11

Apply NG rating label

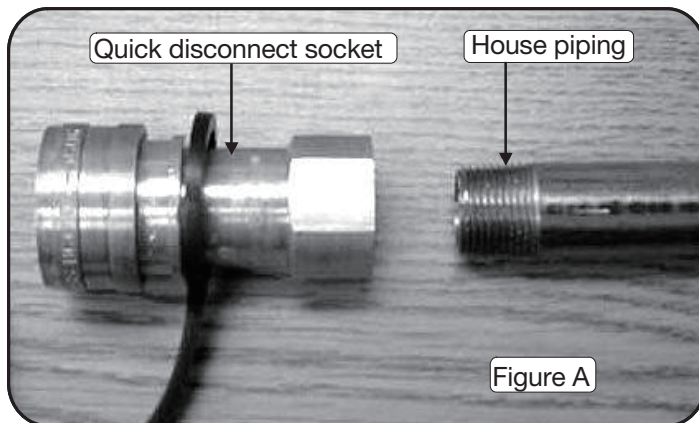


Connecting Grill to A Natural Gas Source

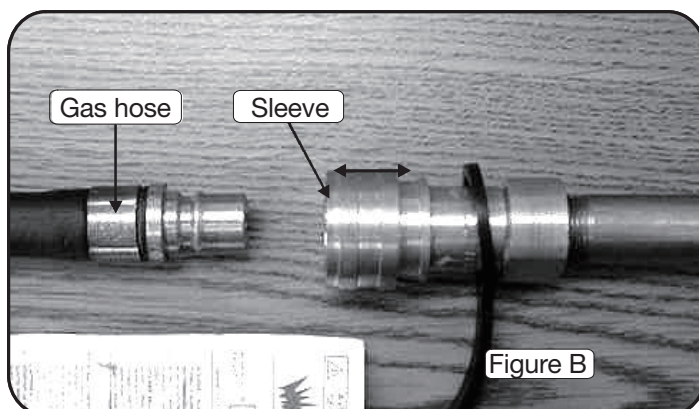
A Natural gas hose and quick connect are not supplied with this product but are available as an accessory for purchase from your local dealer.

1. A professionally-installed shut-off valve between the supply piping and the socket is always recommended, but may not be required, by the National Fuel Gas Code. The socket connection must always be made outdoors.
2. Coat the gas supply pipe nipple with gas resistant pipe dope or teflon tape. Screw socket on gas supply pipe (house gas souce) shown in **Figure A** below, and wrench-tighten.

WARNING The quick disconnect socket should never be connected to the grill. Direction of gas flow is indicated on the socket.

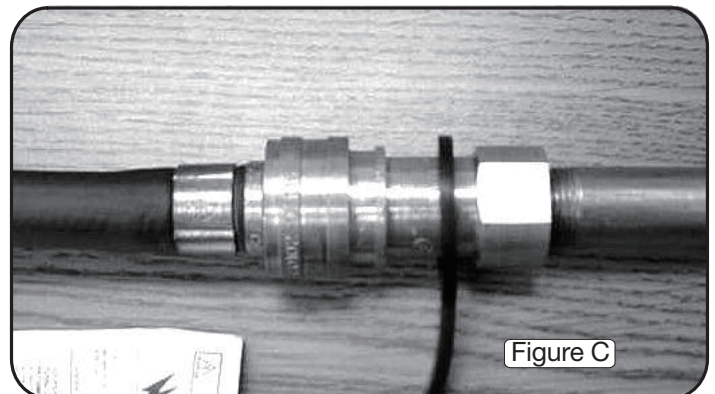


3. Pull back the sleeve on the quick disconnect socket and insert the unattached end of the gas hose into the socket. Release the sleeve and continue pushing the hose into the socket until the sleeve snaps into the locked position. See **Figure B**.



4. When the quick disconnect socket and the gas hose are connected, a valve in the socket opens automatically to permit full gas flow. When the gas hose is disconnected, the valve in the socket instantly and positively shuts off the flow of gas.

Because the valve in the socket positively shuts off the flow of gas, the grill can be disconnected from the gas source by disconnecting the gas hose from the quick disconnect socket. The socket should be left attached to the gas source (house piping) **Figure C** below, shows properly connected hose and socket.



With proper assembly, the gas hose cannot be removed without pushing the quick disconnect sleeve back. To disconnect, push sleeve back and pull plug out of sleeve (this automatically shuts off gas).

Please Note: Only hose and assemblies that are C.S.A. listed for natural gas, manufactured gas, mixed gas and for liquefied petroleum and for LP Gas-Air mixtures on basis of 0.64 specific gravity for 1000 BTU's per cubic foot of gas at 0.3 in. water column pressure drop. Only ANSI Z21.54 approved hose should be used with this grill.

The appliance and its individual shut off valve must be disconnected from the gas supply piping system during any pressure testing on that system at test pressures in excess of 1/2 psi (3.5kPa).

The appliance must be isolated from the gas supply piping system by closing its individual manual shutoff valve during any pressure testing of the gas supply piping system at test pressure equal to or less than 1/2 psi (3.5kPa).

WARNING Do not use hard metal piping of any kind to connect this type of grill to natural gas source. Use only hose specified by manufacturer. Using hard metal piping or convoluted metal tubing is an unsafe practice. Movement of the grill can cause breakage of metal pipe.

Connecting Grill to A Natural Gas Source

5. Checking for Leaks

- a. Make 2-3 oz. of leak solution by mixing one part liquid dishwashing soap with three parts water.
- b. Make sure control knobs are in the OFF position.
- c. Spray some solution on all fittings, pipe connections and regulator assembly.
- d. Inspect the solution at the connections for bubbles. If no bubbles appear, the connection is secure.
- e. If bubbles appear, you have a leak. Go to step f.
- f. Disconnect the connections where bubbles appear and then reconnect.
- g. Retest with solution.
- h. If “growing” bubbles appear, do not use any more. Contact a gas gas supplier or your fire department!

Warranty

This Gas Grill is warranted to be free of defects in material and workmanship when properly assembled, used in a normal household setting and cared for as directed in these instructions from the date of original retail purchase for the following durations:

Lifetime - Stainless steel panels & lid

10 years - Main burners, grill firebox, heat tents & cooking grates

2 years - All other parts

This warranty does not cover: rust, fading, peeling, damage or issues related to neglect, abuse, accident, misuse, misapplication, improper assembly, transportation damages, commercial use or **ANY** modifications made to this product.

Repair labor is not covered. This warranty is the only warranty offered and is in lieu of all other warranties, whether expressed or implied, which includes implied warranty, merchandising or use for a particular purpose.

All replacement parts that meet the warranty requirements will be shipped at no charge via the discretion of the manufacturer (ground shipments, US Mail, UPS or FedEx). Any special handling charges (i.e. Second Day, overnight, etc.) will be the responsibility of the consumer.

All warranty claims apply only to the original purchaser and require a proof of purchase verifying the purchase date. Do not return parts without first obtaining a return authorization number from our customer service department.

Our customer service department can be reached at 1-800-321-3473 8:00 AM - 5:00 PM (EST) English Only, or Email CustomerService@landmann-usa.com

Please note for the United States, that some states do not allow the exclusion or limitation of incident or consequential damages or limitations on how long an implied warranty lasts, so the above limitations or exclusions may not apply to you. This warranty gives you specific legal rights and you may also have other legal rights which may vary from state to state.



Landmann USA, Inc.

7405 Graham Rd

Fairburn, Ga 302130

www.landmann-usa.com

ⓔⓃ **Assembly Instruction 1**

ⓕⓇ **Instructions de montage 52**

ⓔⓈ **Instrucciones de uso y de montaje 103**



Cet appareil est conçu pour une utilisation en extérieur uniquement.

Il ne s'agit pas d'un appareil commercial.



Intertek
5010242

MODELE
42301 (LP)/ 42304 (NG)

**LIRE ATTENTIVEMENT LES INSTRUCTIONS DE MONTAGE,
D'ENTRETIEN ET D'UTILISATION**

IMPORTANT :
**CONSERVER CES INSTRUCTIONS POUR S'Y RÉFÉRER
ULTÉRIEUREMENT**

Des questions, des problèmes, des pièces manquantes ? Avant de retourner chez le revendeur, contacter notre service après-vente au : 1-800-321-3473 de 8h00 à 17h00 (EST) (anglais uniquement), ou envoyer un courriel à : CustomerService@landmann-usa.com

Table des matières

Informations de sécurité importantes.....	54-55	Utilisation du brûleur pour rôtissoire.....	84
Informations de sécurité relatives au propane liquide (PL)..	56	Entretien et maintenance.....	85-86
Étendue des fournitures	57-58	Méthodes et conseils de cuisson.....	87
Préparation	59	Dépannage.....	88
Fournitures matérielles	59	Pièces de rechange.....	89-91
Outils nécessaires.....	59	Adaptation pour gaz naturel.....	92-99
Instructions de montage	60-81	Branchement du gril à la source de gaz naturel.....	100-101
Raccordement de la bouteille de gaz	82	Garantie	102
Instructions d'allumage du brûleur principal	83		

Monteur/installateur

Ces instructions de service contiennent des informations importantes nécessaires pour le montage correct et l'utilisation sûre de cet appareil. Lire et respecter tous les avertissements et instructions avant de monter et d'utiliser cet appareil.

Laisser ces instructions au client.

Client/utilisateur

Respecter tous les avertissements et instructions lors de l'utilisation de cet appareil.

Conserver ces instructions pour s'y référer ultérieurement.



DANGER

Si une odeur de gaz est perçue :

1. Couper le gaz qui alimente l'appareil.
2. Éteindre toute flamme nue.
3. Ouvrir le couvercle.
4. Si l'odeur persiste, se tenir à l'écart de l'appareil et appeler immédiatement le fournisseur de gaz ou les pompiers.
5. Tout manquement au respect de ces instructions peut entraîner une explosion ou un risque de brûlure qui peut engendrer des dommages matériels, des blessures corporelles ou la mort.



WARNING

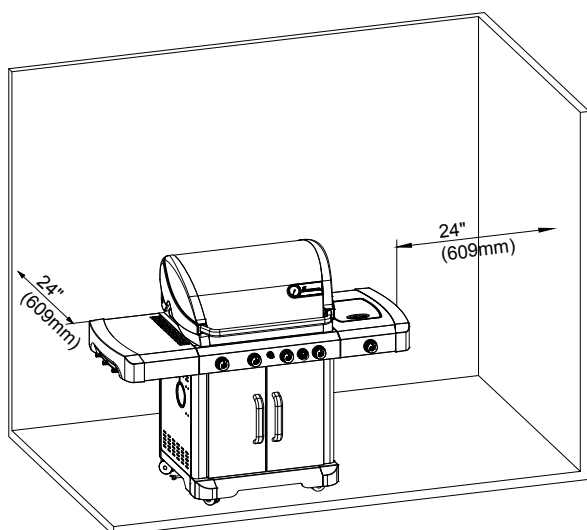
1. **NE PAS** entreposer ou utiliser de l'essence ou tout autre liquide ou vapeur inflammable à proximité de cet appareil ou tout autre appareil.
2. Il est interdit d'entreposer une bouteille de PL (propane liquide) non raccordée pour l'utilisation à proximité de cet appareil ou de tout autre appareil.
3. Ce gril est destiné à une **UTILISATION EN EXTÉRIEUR** uniquement et ne doit pas être utilisé dans un bâtiment, un garage, sous des surplombs ou toute autre zone fermée.
4. **NE PAS** laisser un gril allumé sans surveillance. Tenir les enfants et les animaux à distance du gril en toutes circonstances.
5. **Cet appareil est conçu pour un usage domestique uniquement. Il ne s'agit pas d'un appareil commercial.**

Informations de sécurité importantes



Avertissements et mises en garde figurant dans ces instructions de service peuvent entraîner de graves blessures corporelles ou la mort, ou peuvent engendrer un incendie ou une explosion responsable de dommages matériels.

- Veiller à suivre scrupuleusement toutes les instructions de montage. Le montage incorrect de ce gril peut se révéler dangereux.
- **NE JAMAIS** utiliser de charbon, d'essence à briquets, d'essence, de kérosène ou d'alcool pour allumer ce gril.
- Ne **JAMAIS** placer un poids supérieur à 10 livres sur une tablette latérale. **NE PAS** s'appuyer sur le gril.
- **NE JAMAIS** utiliser des briquettes de charbon ou de l'essence à briquets dans un gril à gaz. **NE PAS** déplacer le gril lorsqu'il est allumé.
- **NE PAS** se pencher au-dessus du gril ouvert lors de l'allumage ou de la cuisson.
- Toujours ouvrir le couvercle du gril lentement et avec précaution car la chaleur emprisonnée dans le gril peut engendrer de graves brûlures.
- **NE PAS** placer les mains ou les doigts sur le bord du foyer et du couvercle lorsque ce dernier est ouvert ou que le gril est chaud.
- Tenir les enfants et les animaux à distance du gril lors de l'utilisation. Les pièces accessibles peuvent être brûlantes.
- **NE PAS** tenter de débrancher le détendeur et l'assemblage de tuyau ou tout autre raccord de gaz lorsque le gril est en service.
- **IL EST INTERDIT** de placer ce gril sous une construction combustible suspendue non protégée. Toujours respecter une distance minimale de 24" par rapport au bas, au haut et à l'arrière et de 24" par rapport aux côtés du gril (voir ci-dessous).



- Ce gril est un appareil d'extérieur et **NE DOIT PAS** être exploité dans un bâtiment, un garage ou toute autre zone fermée.

- **NE PAS** obstruer le flux d'air de combustion et de ventilation. Garder les orifices de ventilation du corps de la bouteille dégagés et exempts de débris.
- Si les brûleurs devaient s'éteindre lorsque le gril est en service, fermer toutes les valves de gaz. Ouvrir le couvercle et attendre cinq minutes avant de tenter de rallumer le gril en utilisant les instructions d'allumage.
- Garder ce gril dégagé et exempt de matériau combustible, d'essence ou d'autres vapeurs et liquides inflammables.
- **NE JAMAIS** entreposer une bouteille de propane liquide supplémentaire ou débranchée sous ou à proximité de ce gril.
- Toujours utiliser des gants ou des maniques thermorésistant(e)s pour barbecue lors de l'exploitation du gril.
- **NE PAS** laisser un gril chaud sans surveillance et ne pas le déplacer pendant l'exploitation.
- Ce gril n'est pas destiné à être utilisé dans ou installé sur des véhicules de loisir, des bateaux, des remorques mobiles ou tout autre emplacement mobile.
- **NE PAS** placer une housse de protection pour gril ou tout autre objet inflammable sur le gril lorsqu'il est en service ou qu'il est chaud.
- L'entreposage d'un appareil de cuisson d'extérieur à l'intérieur est permis uniquement si la bouteille est débranchée et retirée de l'appareil de cuisson au gaz d'extérieur.
- Lorsque l'appareil n'est pas utilisé, s'assurer que le gaz est **COUPÉ** sur la bouteille d'alimentation.
- Les bouteilles doivent être entreposées à l'extérieur et hors de portée des enfants. La bouteille ne doit pas être entreposée dans un bâtiment, un garage ou d'autres zones fermées.
- Toujours inspecter le tuyau d'alimentation en gaz avant chaque utilisation. Si le tuyau présente des signes d'abrasion ou de coupure, **NE PAS** utiliser le gril. Le tuyau doit être remplacé avant de réutiliser l'appareil.
- Toujours contrôler l'absence d'insectes et de nids d'insectes sur les brûleurs et les tubes de Venturi. Un tube obstrué peut entraîner un incendie sous le gril.
- Toujours vérifier l'absence de fuites sur les raccords à chaque raccordement et débranchement de la bouteille d'alimentation en gaz PL.



Le détendeur et l'assemblage de tuyau fourni avec ce gril doivent impérativement être utilisés. Toute demande de détendeur et d'assemblage de tuyau de rechange doit être effectuée par l'intermédiaire du fabricant, LANDMANN-USA.


Informations de sécurité importantes

- **NE PAS** élargir les orifices des valves ou des brûleurs lors du nettoyage des valves ou des brûleurs.
- Si un sifflement de gaz s'échappant de la bouteille de gaz PL est vu, entendu ou senti, s'écartez de la bouteille de gaz PL. **NE PAS** tenter de résoudre le problème soi-même, et appeler les pompiers.
- Si un feu de graisse se déclare, **ÉTEINDRE** le brûleur et laisser le couvercle fermé jusqu'à ce que le feu s'éteigne.
- **NE PAS** modifier ce gril de quelque façon que ce soit. Toute modification annule automatiquement la garantie.
- **NE PAS** utiliser le gril dans des conditions de vent fort.

Pour éviter toute possibilité de renversement du gril, **NE JAMAIS** placer plus de 10 livres sur la table latérale.


NE JAMAIS laisser de la nourriture en train de cuire sans surveillance. Surveiller en permanence la nourriture aide à maintenir une température constante, à économiser du combustible, à améliorer la saveur des aliments et à limiter les flambées soudaines.

La bouteille d'alimentation en gaz PL à utiliser doit être construite et marquée conformément à la spécification relative aux bouteilles de gaz PL du Ministère américain des transports (DOT) ou de la Norme nationale canadienne CAN/CSA-b339 (bouteilles, sphères et tubes pour le transport de marchandises dangereuses).

 DANGER	<p>Un incendie entraînant la mort ou des blessures graves peut se déclarer si les points suivants ne sont pas scrupuleusement respectés :</p> <p>NE JAMAIS entreposer ou utiliser de l'essence ou toute autre substance volatile à proximité de ce gril. NE JAMAIS entreposer une bouteille de propane de rechange à proximité de ce gril ou à proximité de toute autre source potentielle de chaleur.</p>
--	---

 WARNING	<p>NE PAS entreposer de bouteilles de gaz de rechange dans ou à proximité du gril.</p> <p>Placer un capuchon anti-poussière sur la valve de la bouteille lorsqu'elle n'est pas utilisée. Installer uniquement le type de capuchon anti-poussière fourni avec la valve de la bouteille sur la sortie de la valve de la bouteille. Les autres types de capuchons ou bouchons peuvent entraîner une fuite de propane.</p>
---	---

Avertissements de la Proposition 65 de l'État de Californie

 WARNING	<p>Ce produit contient des substances chimiques reconnues par l'État de Californie comme causes de cancers, de malformations congénitales ou d'autres troubles de l'appareil reproducteur.</p>
---	--

Informations de sécurité relatives au propane liquide (PL)

Examiner les directives et consignes de sécurité ci-dessous lors de l'utilisation du gaz au propane liquide (PL).

Informations générales

- Ce gril est conçu pour une utilisation avec une bouteille de PL de 10 kg standard.
- Toute marque de bouteilles de PL de 10 kg peut être utilisée sur ce gril, sous réserve qu'elle soit compatible avec les moyens de fixation du gril (boulon du plateau de bouteille de gaz).
- Ce gril est conçu par ETL international exclusivement pour une alimentation locale en PL.

Informations de sécurité

- L'odeur du gaz PL est similaire à celle du gaz naturel.
- Le gaz PL est plus lourd que l'air et du gaz qui fuit peut s'accumuler dans des zones basses et résister à la dispersion.
- Ne pas faire tomber ou malmener les bouteilles de PL.
- **NE PAS** utiliser une bouteille de gaz PL endommagée. Une bouteille de PL cabossée ou rouillée ou une bouteille de PL avec une valve endommagée susceptible d'être dangereuse doit être immédiatement remplacée par une nouvelle bouteille.
- **TOUJOURS** fermer la valve de la bouteille après utilisation.
- **TOUJOURS** fermer la valve de la bouteille lors du débranchement du détendeur.
- **TOUJOURS** manipuler les bouteilles de PL potentiellement vides avec autant de précaution qu'une bouteille de PL pleine. De la pression de gaz peut être encore présente à l'intérieur d'une bouteille de PL potentiellement vide.
- **NE JAMAIS** entreposer ou transporter une bouteille de PL dans un endroit où la température peut atteindre 125 °F (52 °C).
- Tenir les bouteilles de PL hors de portée des enfants et des animaux.
- **NE PAS** entreposer des bouteilles de gaz PL débranchées dans un bâtiment, un garage ou d'autres zones fermées.
- Si la bouteille de PL est conservée dans le gril entre les utilisations, s'assurer de conserver à la fois le gril et la bouteille dans une zone à l'extérieur avec une bonne ventilation.
- **TOUJOURS** effectuer un test de fuite sur le raccord entre la bouteille de gaz PL et le détendeur lors du remplacement des bouteilles de gaz PL.

Installation de la bouteille de gaz PL

1. S'assurer que tous les boutons de commande du brûleur sont sur la position **OFF** (arrêt).
2. Ouvrir la porte du meuble.
3. La positionner avec précaution dans le large trou sur le panneau inférieur.
4. Pour fixer la bouteille de gaz PL en place, visser le boulon du support du réservoir à travers la partie inférieure de la bouteille de gaz PL.
5. Fixer le détendeur avec précaution sur la bouteille en le **SERRANT À LA MAIN** uniquement.
6. **NE JAMAIS** utiliser une clé ni aucun autre outil pour serrer cette jonction.
7. Observer tous les règlements et décrets en vigueur.

Important

L'installation de l'appareil à gaz PL des États-Unis doit être conforme aux règlements et décrets locaux. En l'absence de règlements locaux, l'installation de l'appareil doit être conforme soit au National Fuel Gas Code, ANSI Z223.1/NFPA54, soit au Natural Gas and Propane Appliance code, CSA B149.1, soit au Propane Storage and Handling Code, B149.2, si applicable.

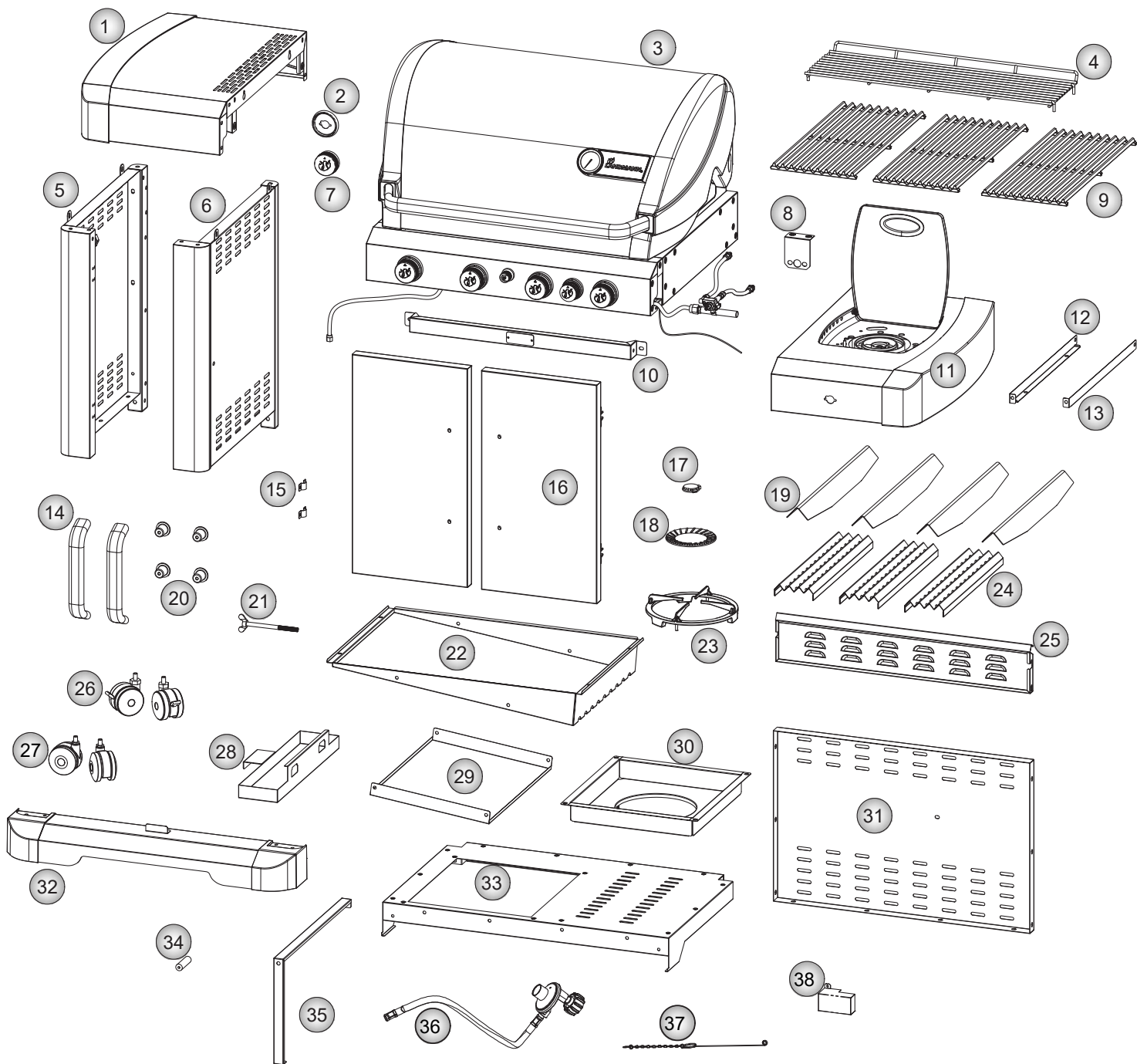
Pour le Canada, l'installation de ce barbecue doit être conforme aux règlements locaux et/ou à la norme CSA B149.2 (Propane Storage and Handling Code).

Toujours consulter la plaque signalétique pour s'assurer que l'appareil est adapté au type d'alimentation de gaz auquel il est raccordé. Un gril au gaz naturel doit être alimenté en gaz naturel et un gril au PL doit être alimenté en propane liquide pour fonctionner.

Étendue des fournitures

Pièce	Description	Quantité
1	Tablette latérale, gauche	1
2	Douille de bouton pour brûleur principal/latéral	1
3	Sous-ensemble de foyer avec couvercle	1
4	Grille de maintien au chaud	1
5	Panneau de chariot, gauche	1
6	Panneau de chariot, droit	1
7	Bouton pour brûleur principal/latéral	1
8	Support de buses pour le brûleur latéral	1
9	Grille de cuisson	3
10	Barre transversale	1
11	Tablette latérale, droite (avec brûleur latéral)	1
12	Rail du bac récupérateur de graisse, gauche	1
13	Rail du bac récupérateur de graisse, droit	1
14	Poignée de porte	2
15	Agrafe pour flexible	2
16	Assemblage de porte	2
17	Rebord étroit du brûleur latéral	1
18	Rebord large du brûleur latéral	1
19	Couvercle pour le brûleur	4
20	Manche en plastique pour poignée de porte	4
21	Vis pour bloquer le réservoir de gaz	1
22	Guide-graisse	1
23	Étrier pour brûleur latéral	1
24	Écran thermique inférieur	3
25	Panneau arrière du chariot, supérieur	1
26	Roulette avec frein	2
27	Roulette sans frein	2
28	Récupérateur de graisse	1
29	Écran thermique pour guide-graisse	1
30	Plateau du réservoir de gaz	1
31	Panneau arrière du chariot, inférieur	1
32	Moulure du chariot	1
33	Plateau inférieur	1
34	Pile AA	1
35	Barre de retenue de la seconde bouteille de gaz	1
36	Tuyau et régulateur de PL	1
37	Outil d'allumage par allumette et chaîne	1
38	Recouvrement d'électrode de brûleur pour rôtissoire	1

Étendue des fournitures



Préparation

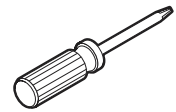
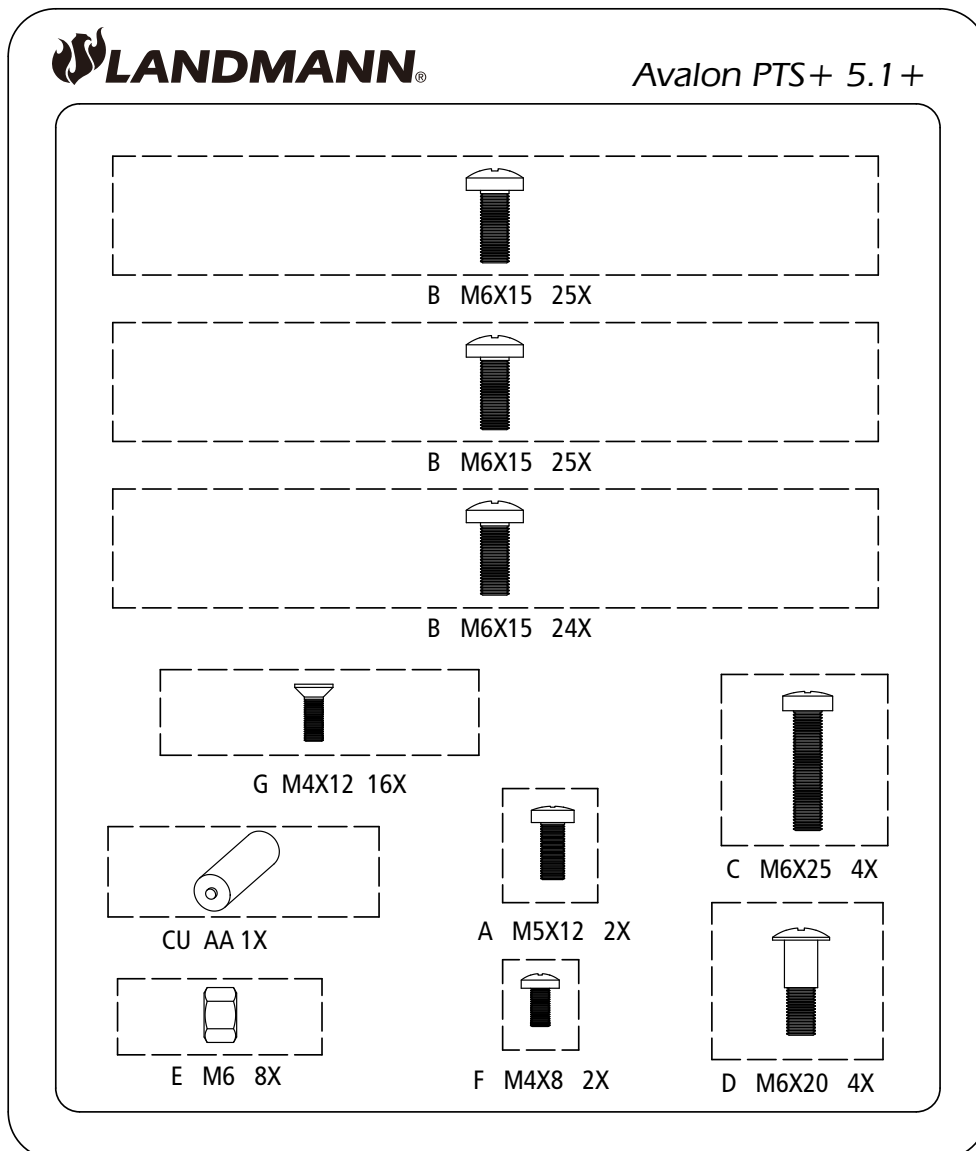
Avant de commencer le montage de ce gril, retirer l'intégralité de l'emballage et vérifier que toutes les pièces de montage sont incluses (voir Étendue des fournitures, p. 6). Si une pièce manque ou est endommagée, **NE PAS** tenter de monter le produit.

Temps de montage estimé : 60 minutes à deux personnes.

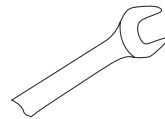
Outils requis : tournevis cruciforme et clé.

Fournitures matérielles

Outils nécessaires



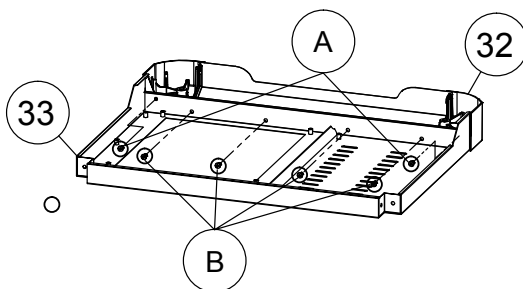
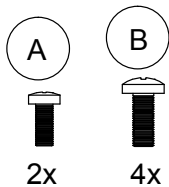
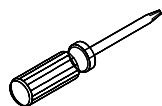
Tournevis cruciforme 2 points



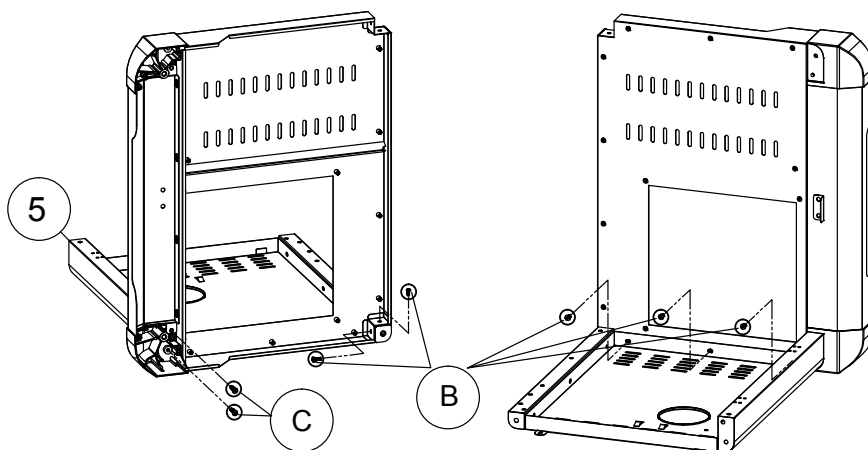
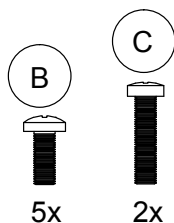
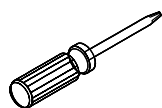
Clé réglable

Instructions de montage

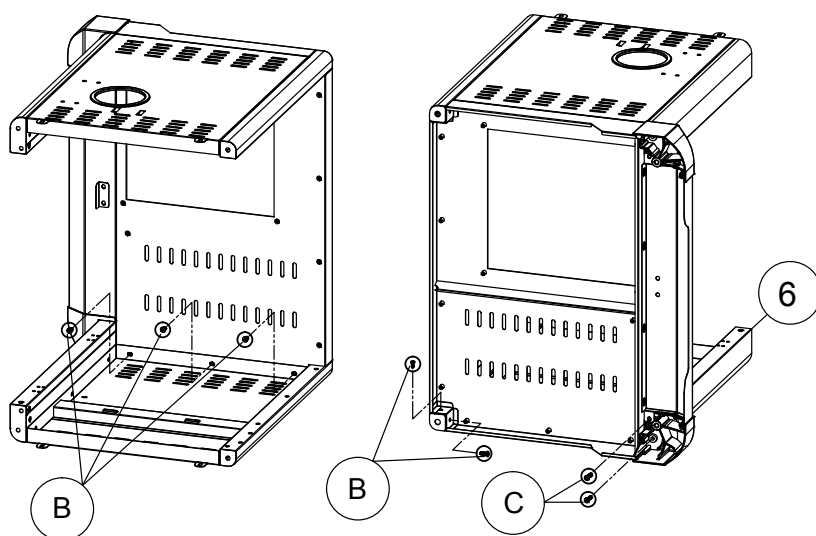
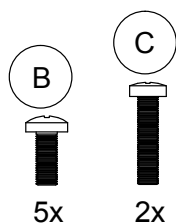
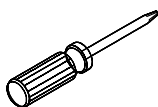
1.



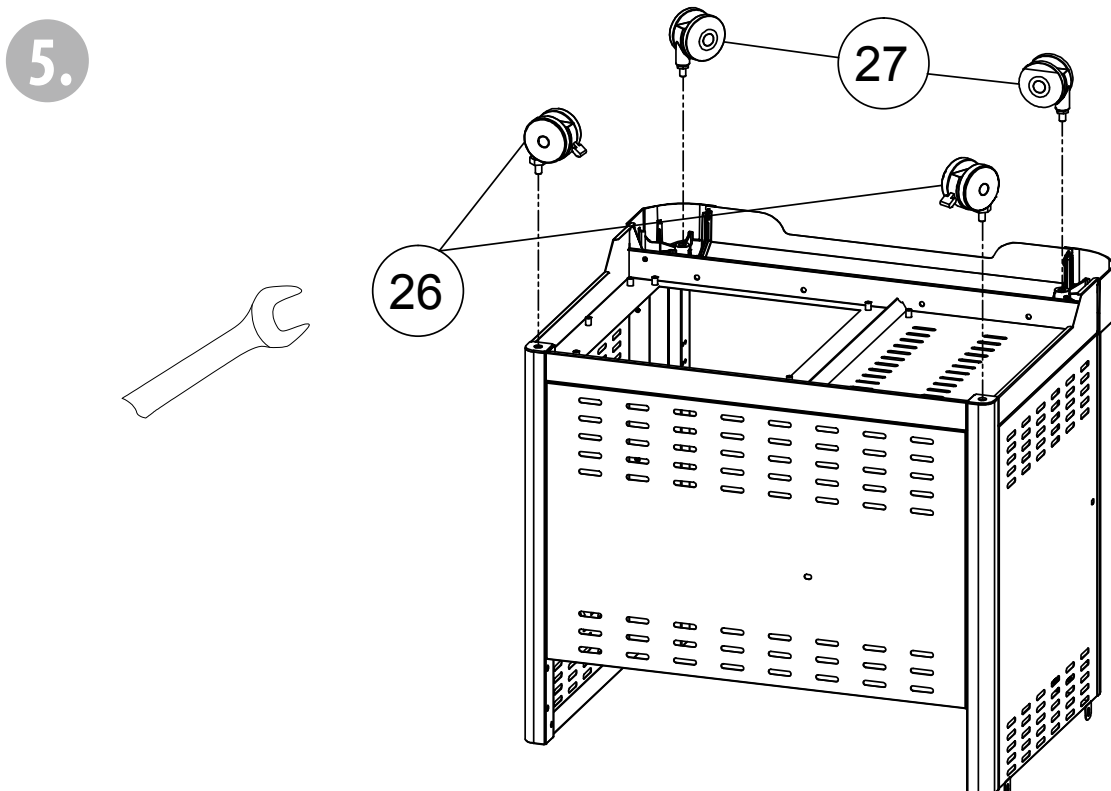
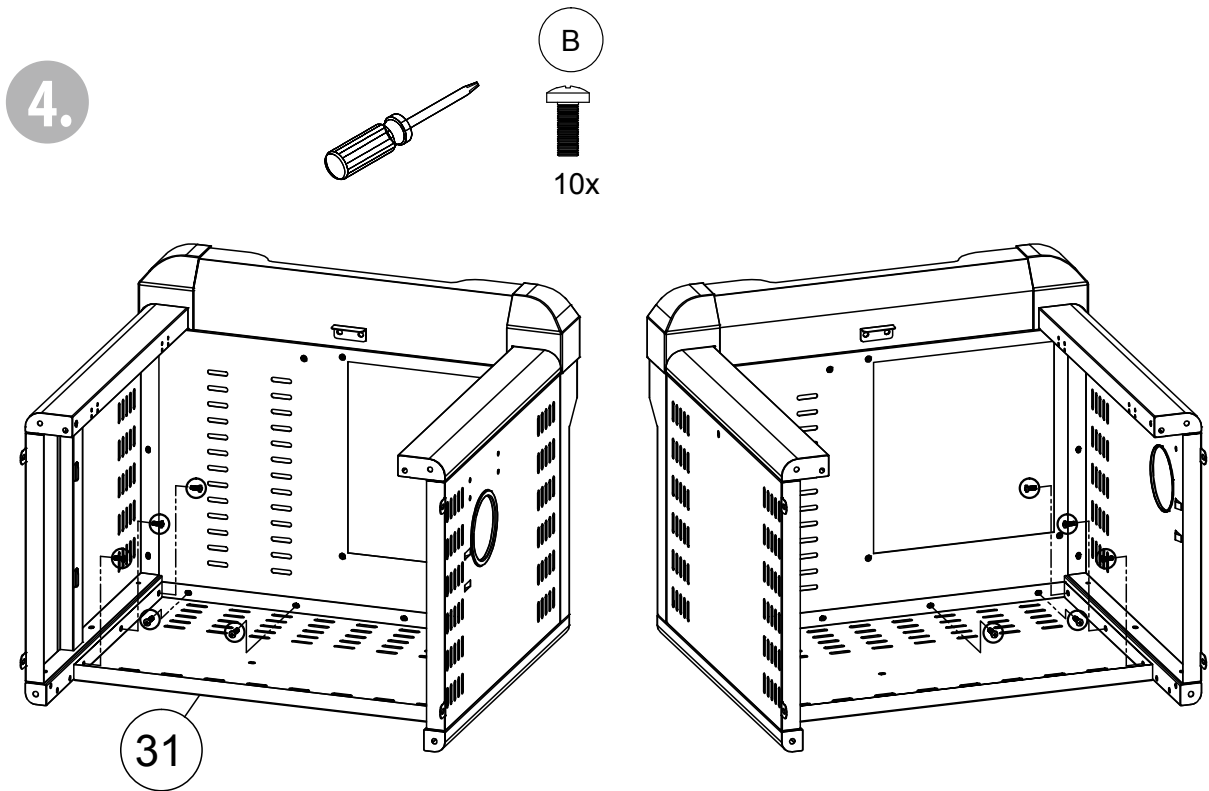
2.



3.



Instructions de montage



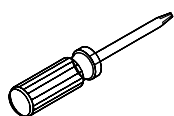
Instructions de montage

6.

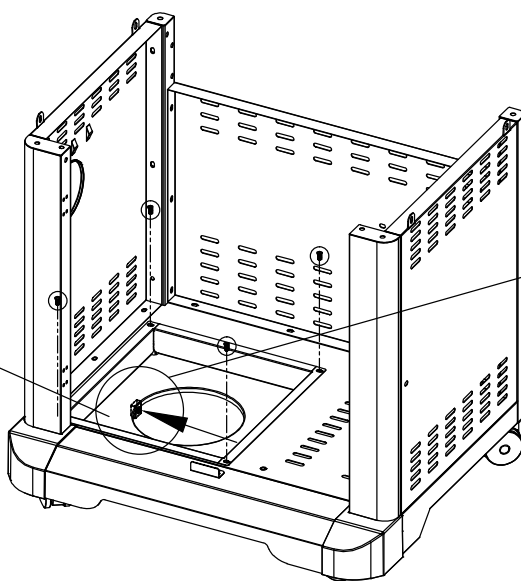
B



4x



30



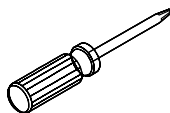
S'assurer d'installer le plateau de réservoir LP avec l'écrou sur le côté gauche.

7.

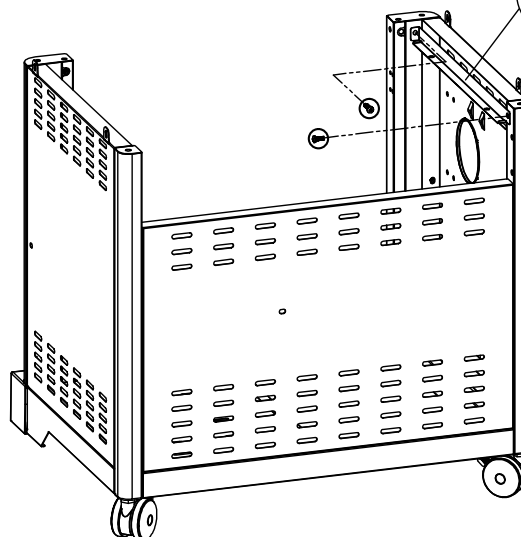
B



2x



12

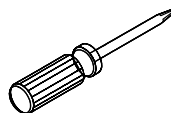


8.

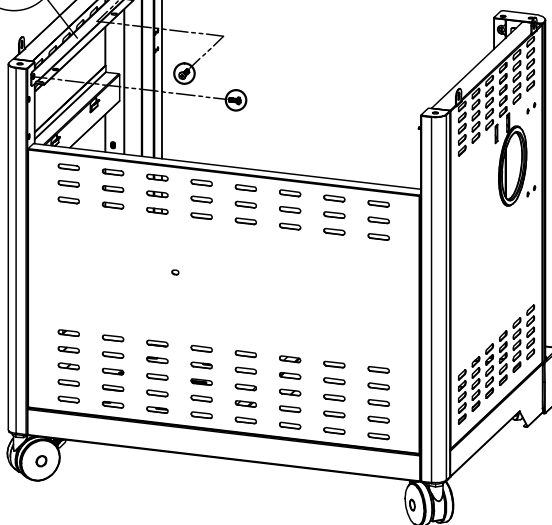
B



2x

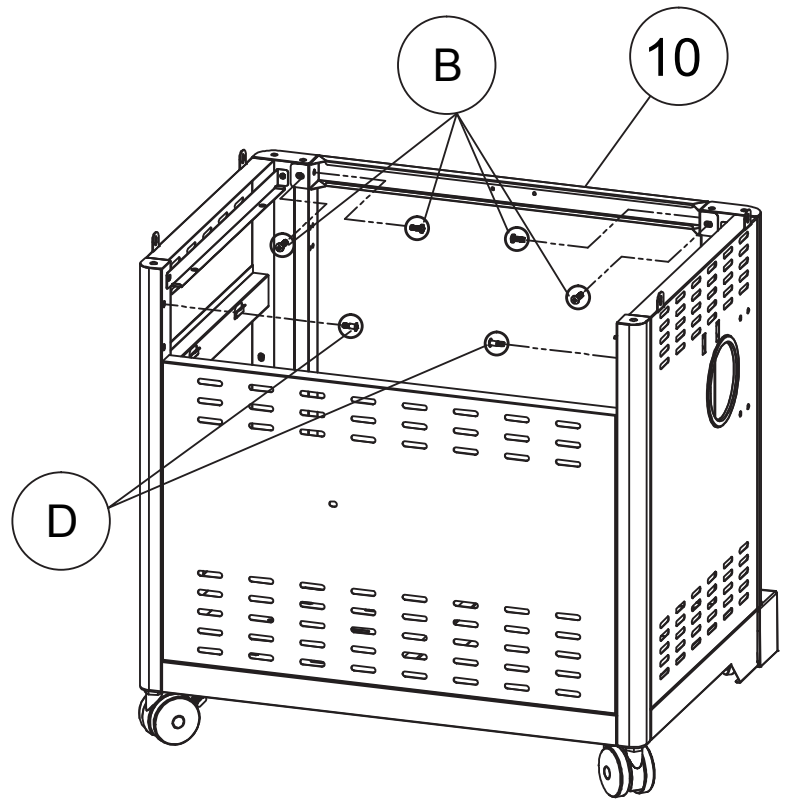
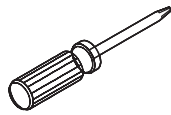
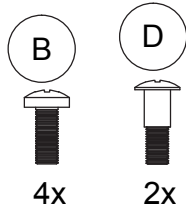


13

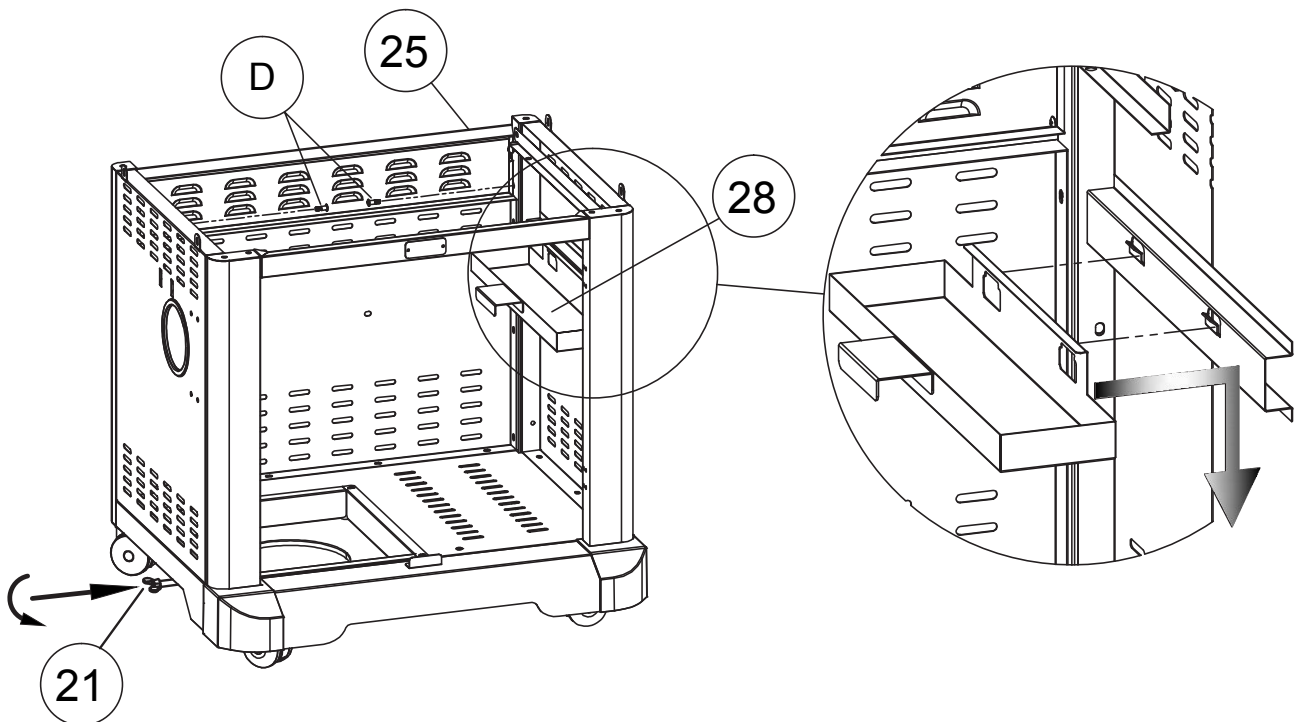
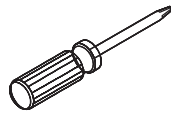
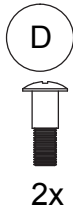


Instructions de montage

9.

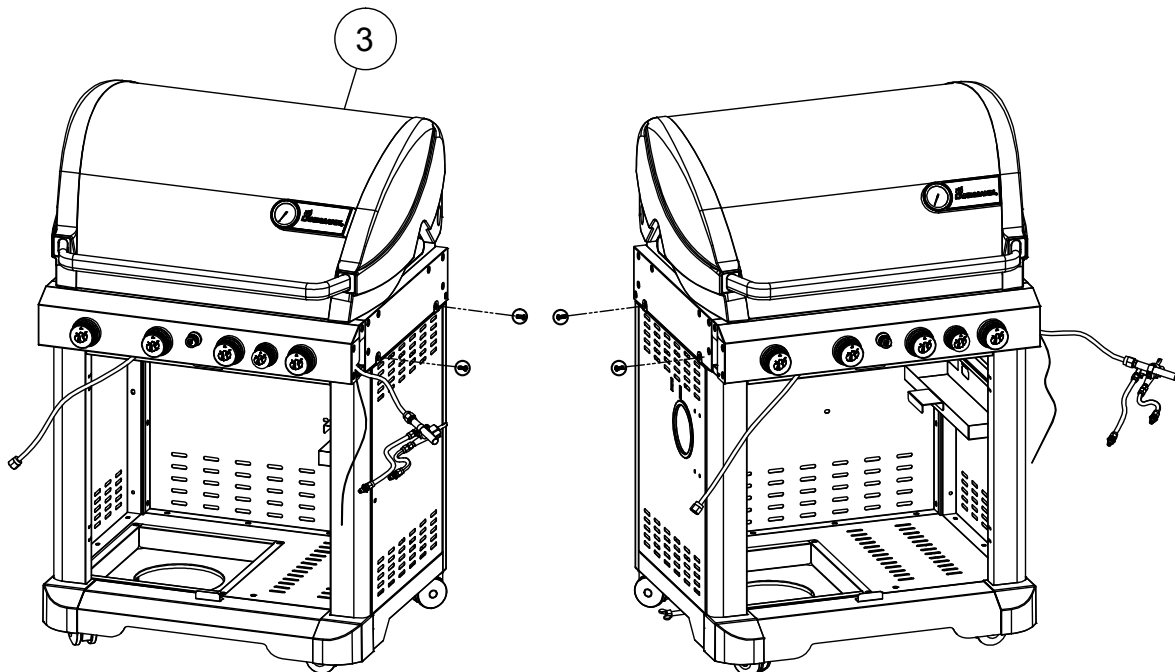
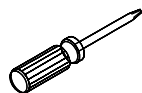


10.

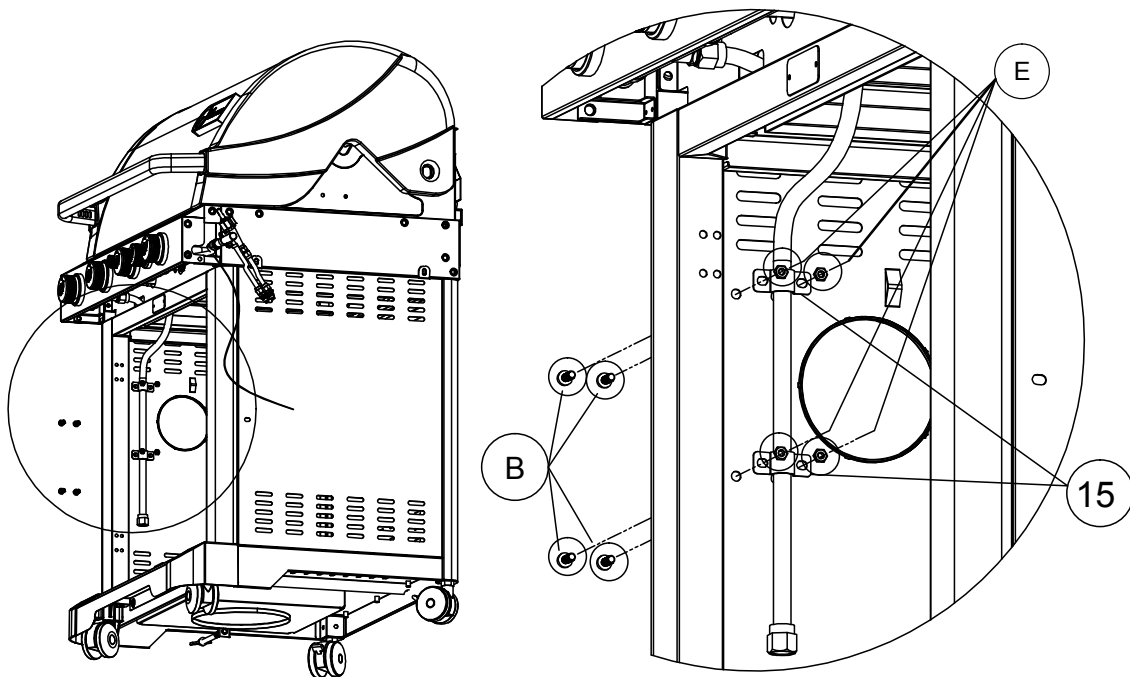
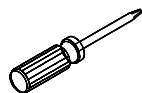
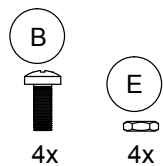


Instructions de montage

11.

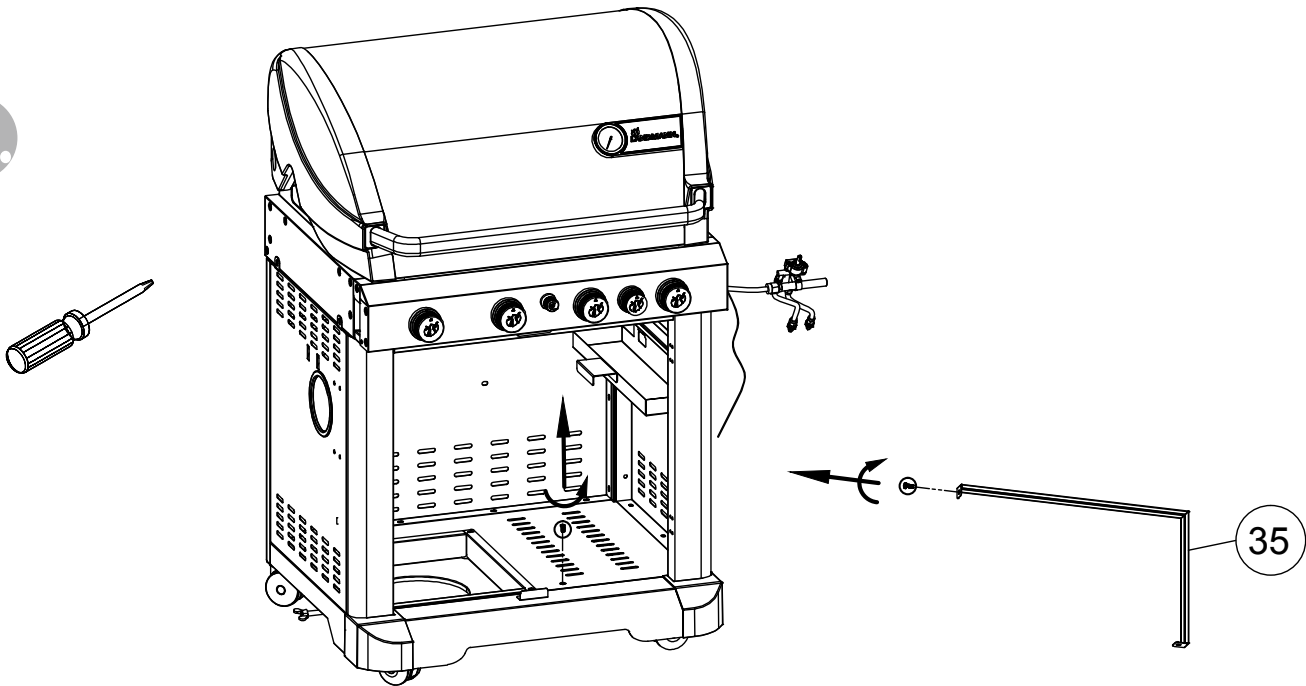


12.

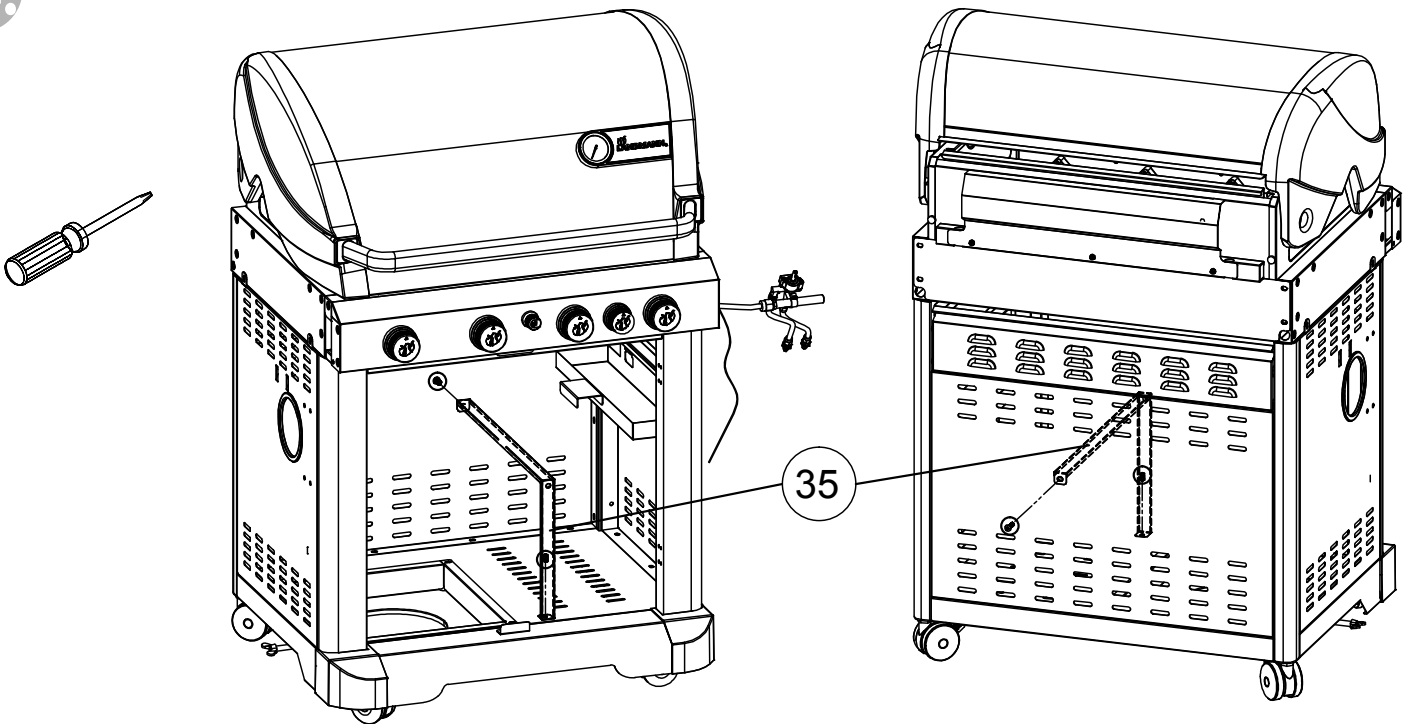


Instructions de montage

13.

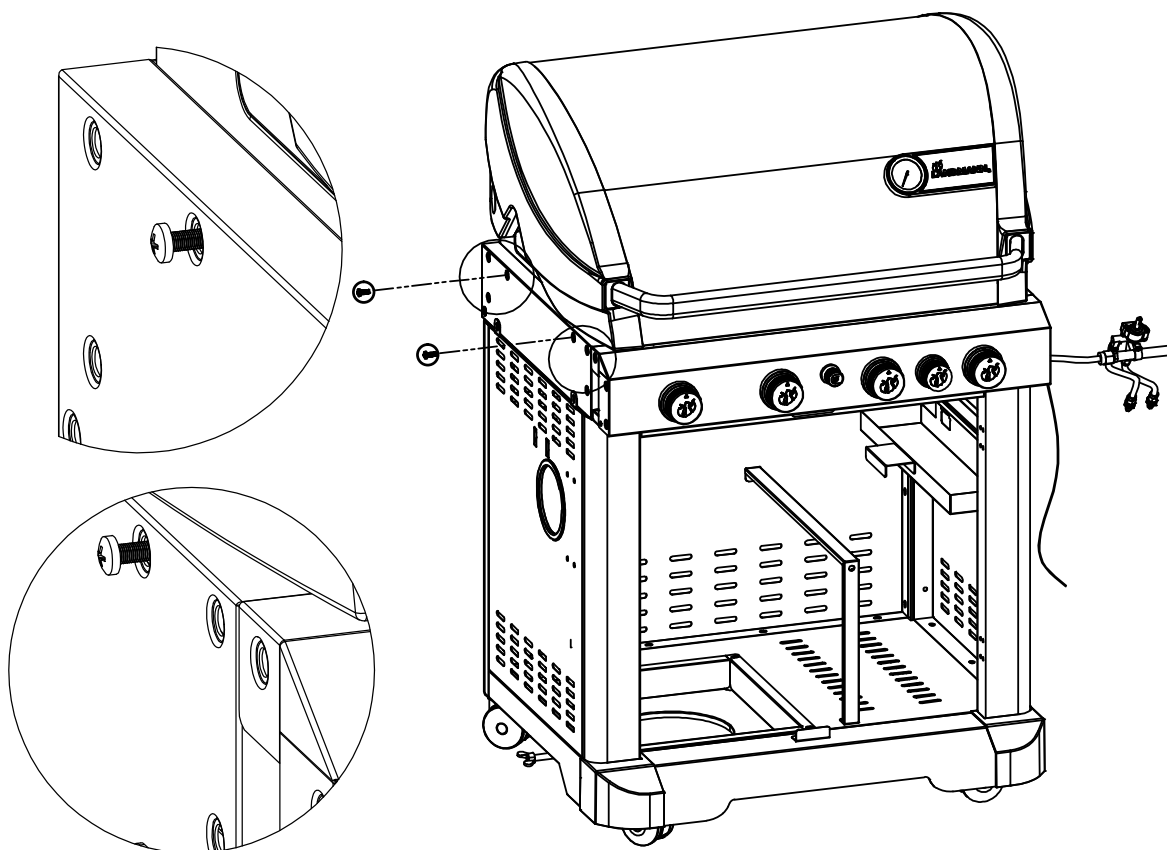
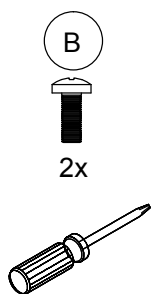


14.

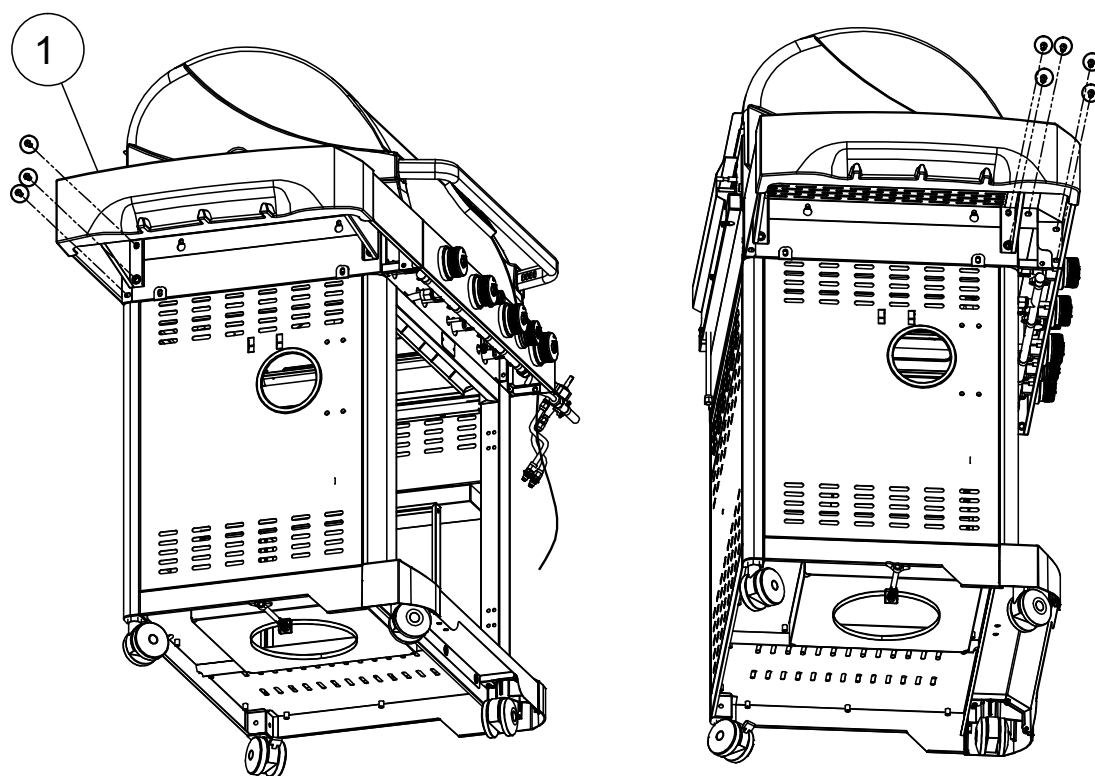
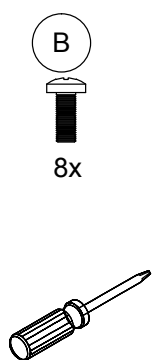


Instructions de montage

15.



16.

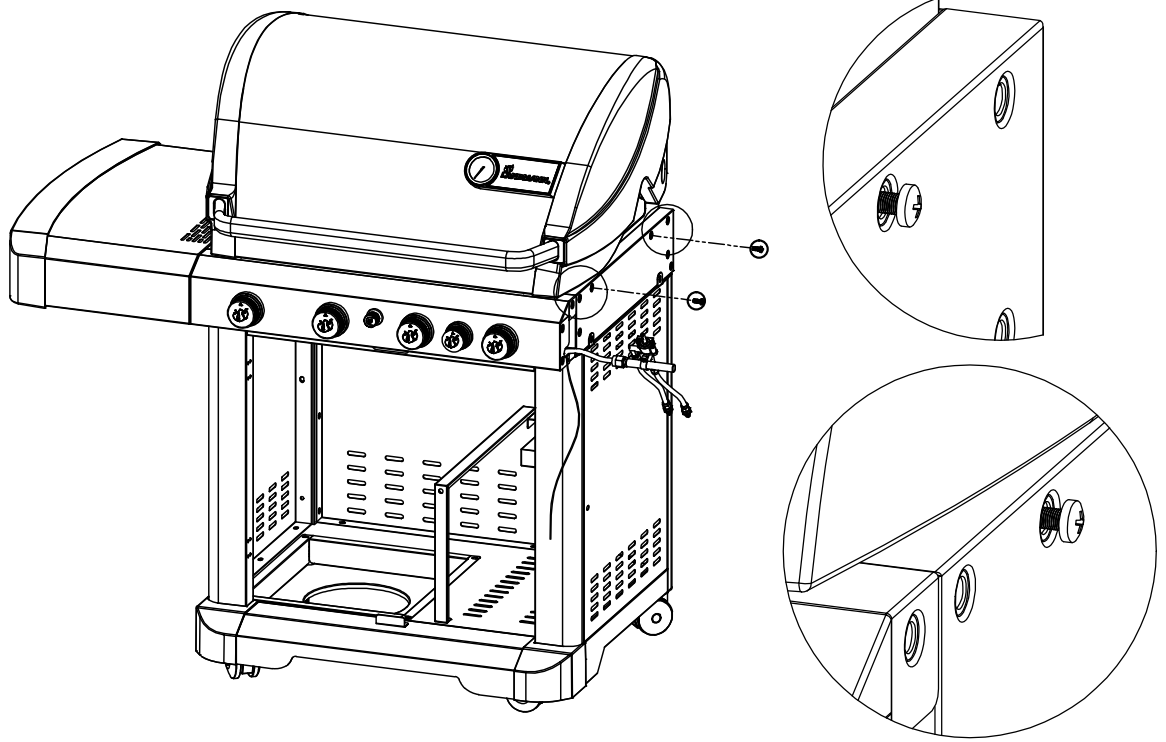
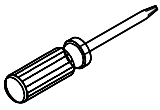


Instructions de montage

17.

B

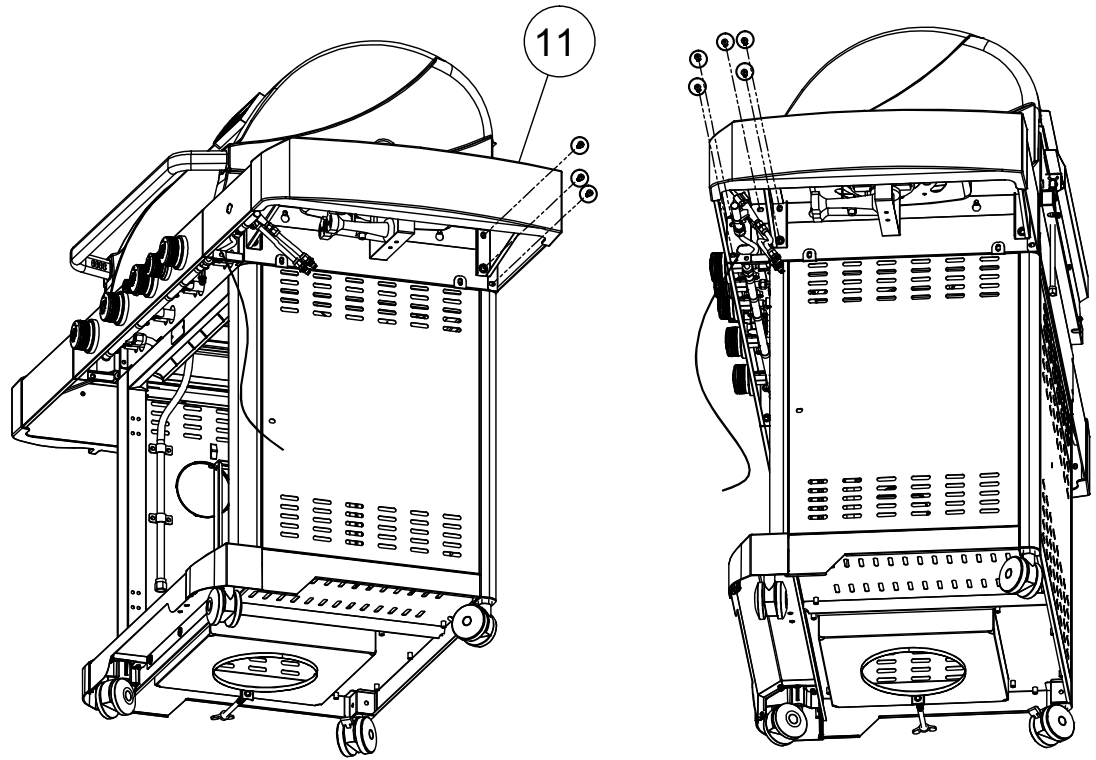
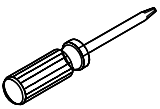
2x



18.

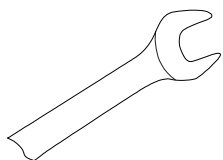
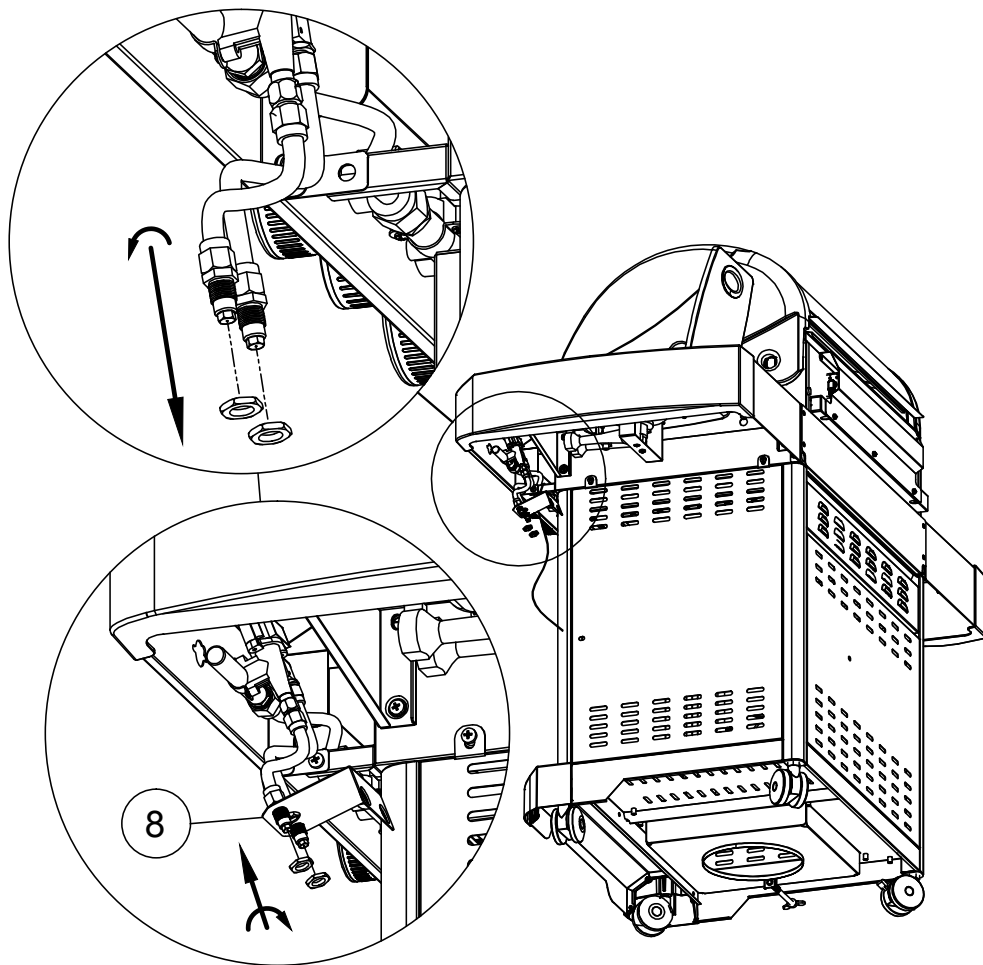
B

8x



Instructions de montage

19.

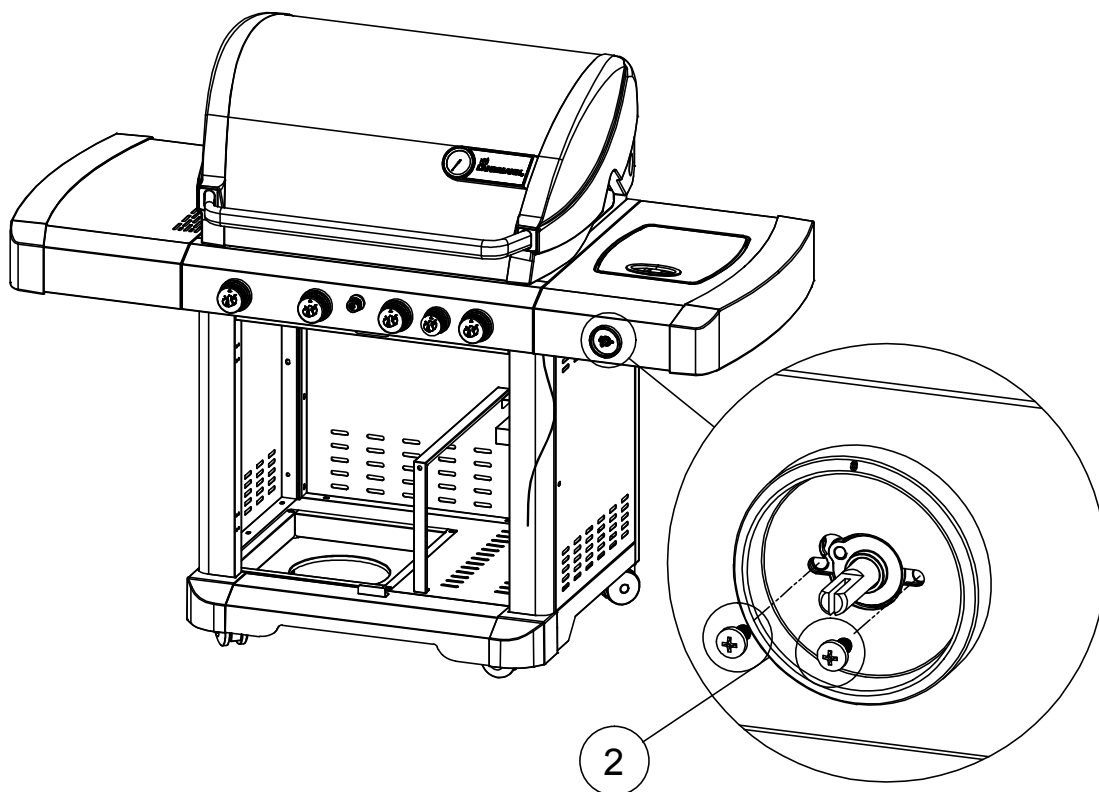
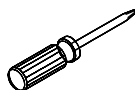


20.

F



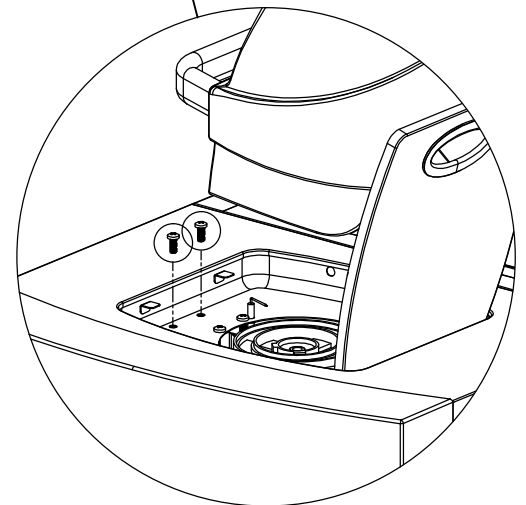
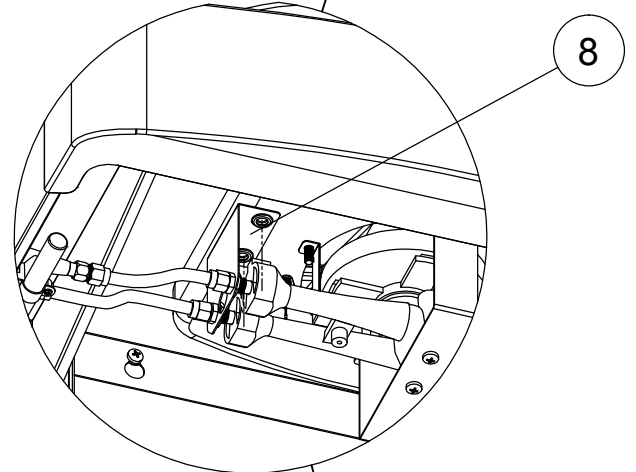
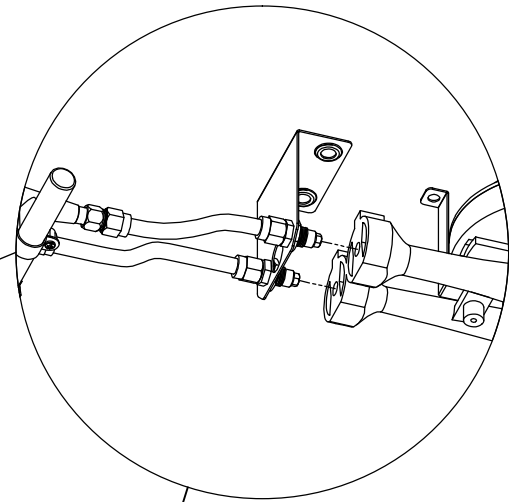
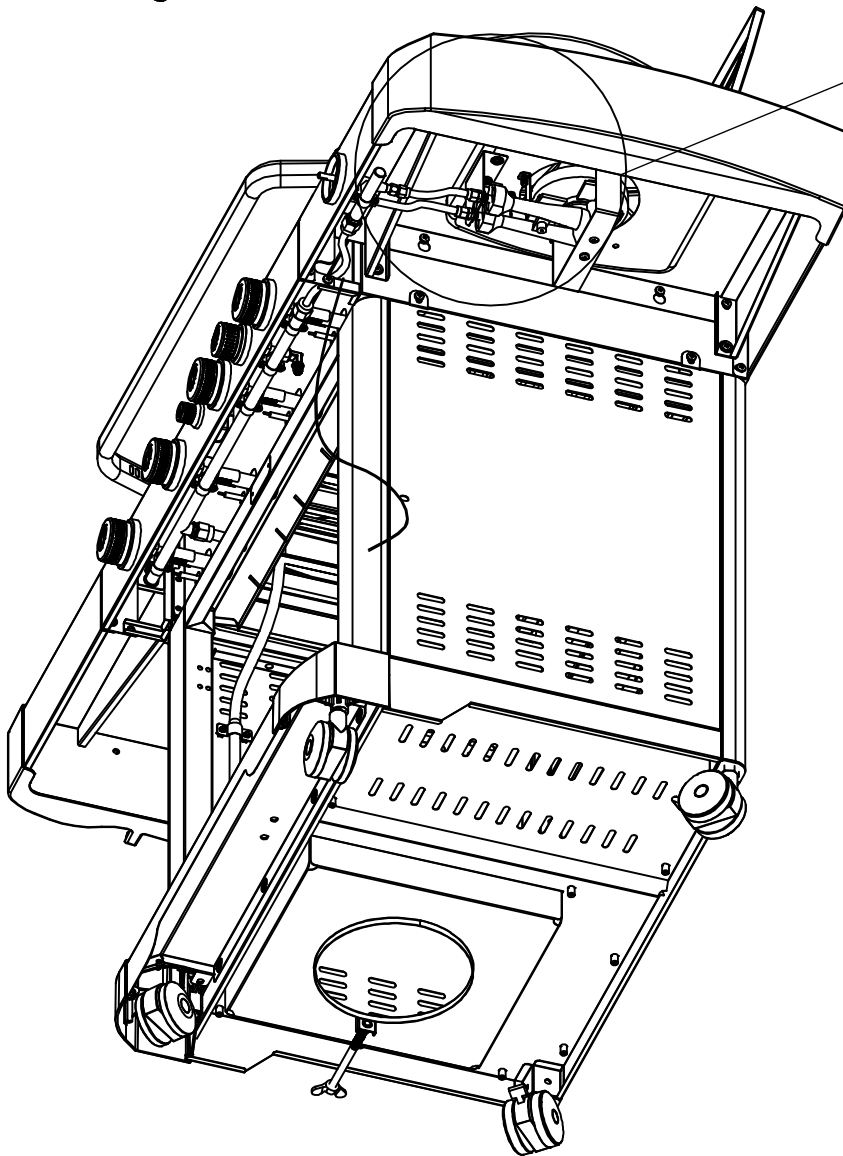
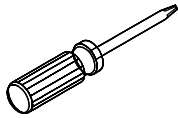
2x



Instructions de montage

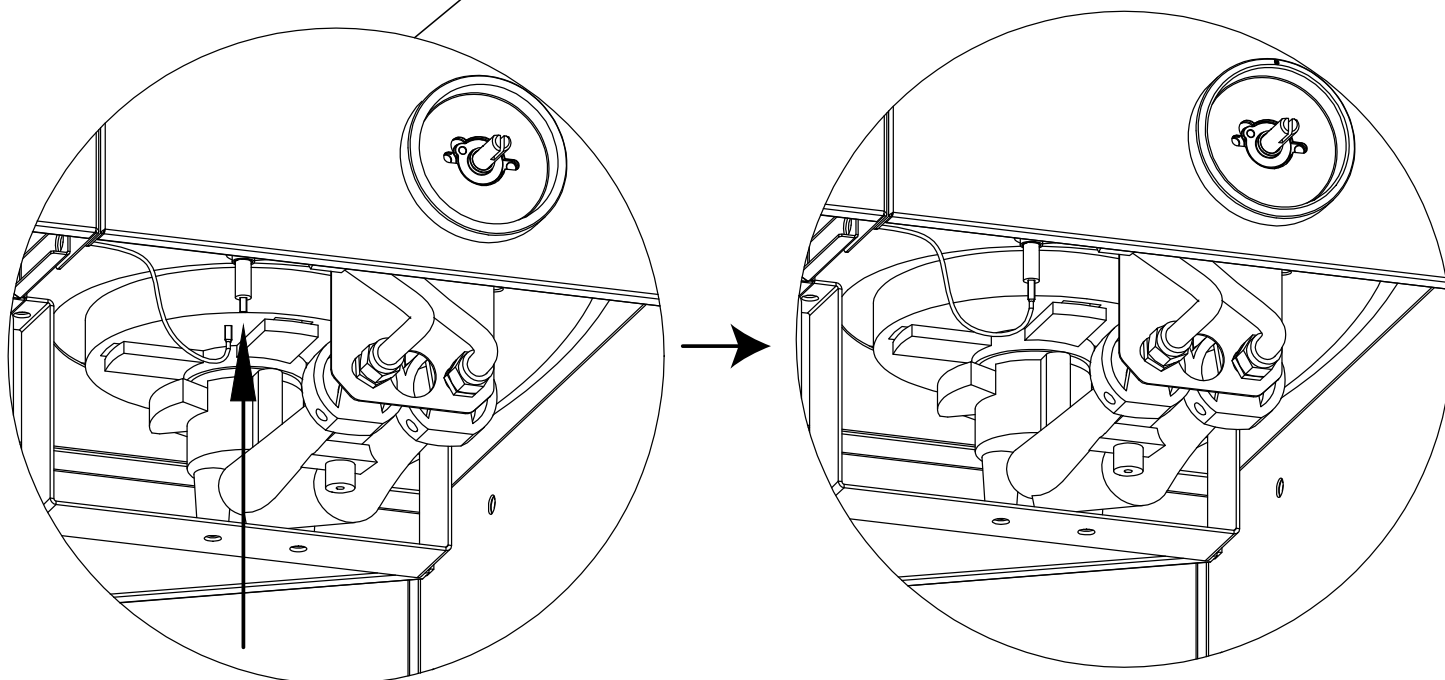
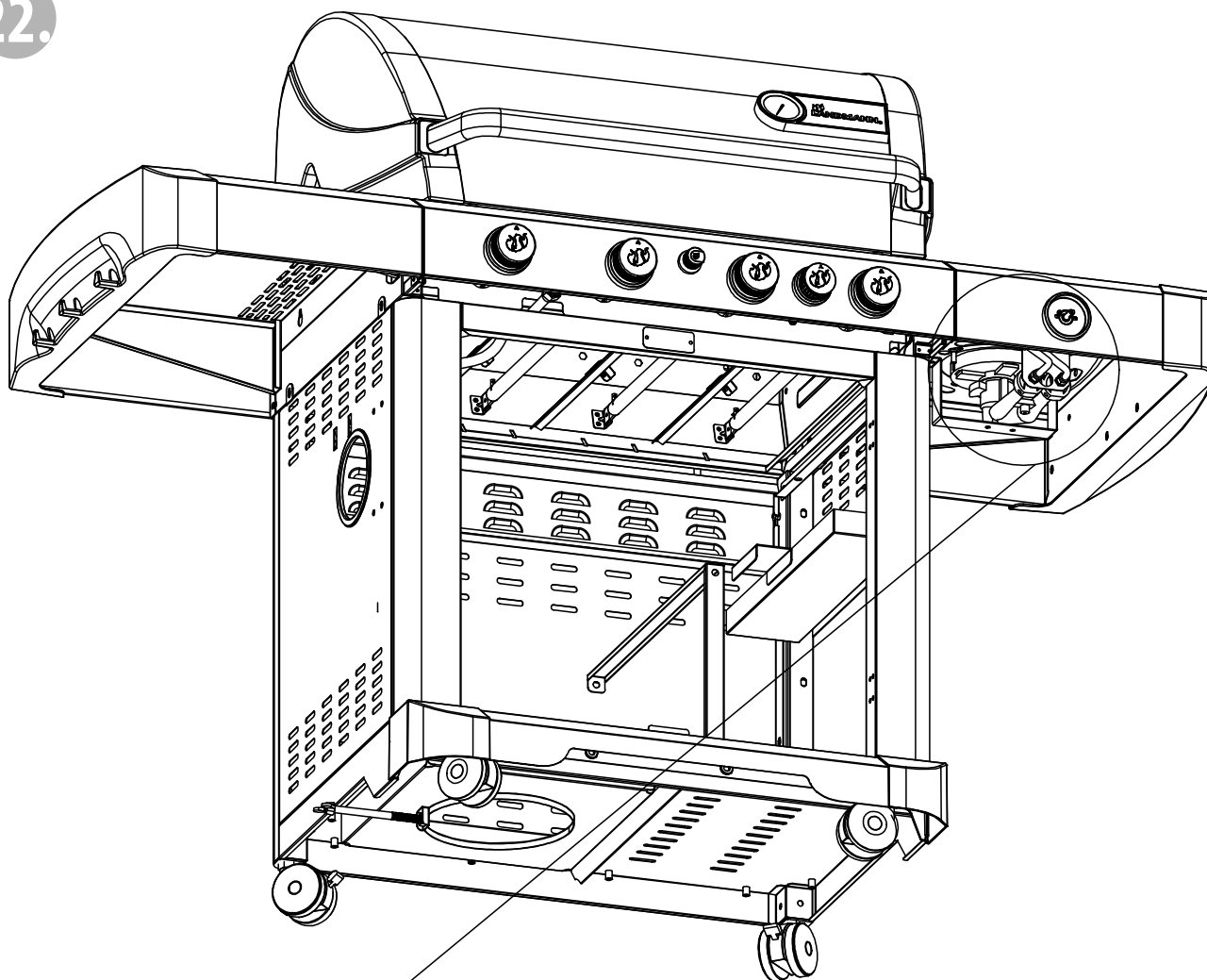
21.

B
2x



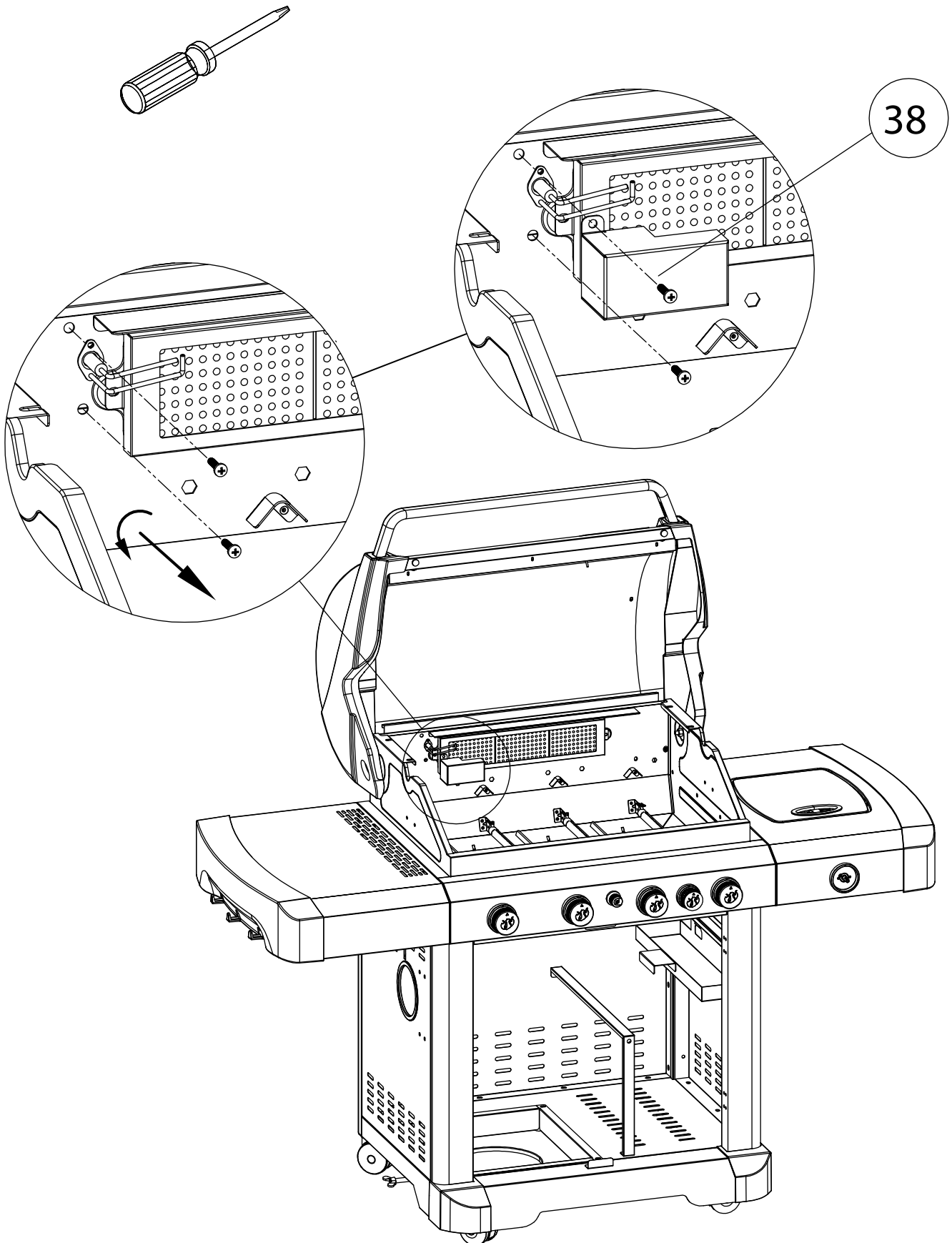
Instructions de montage

22.

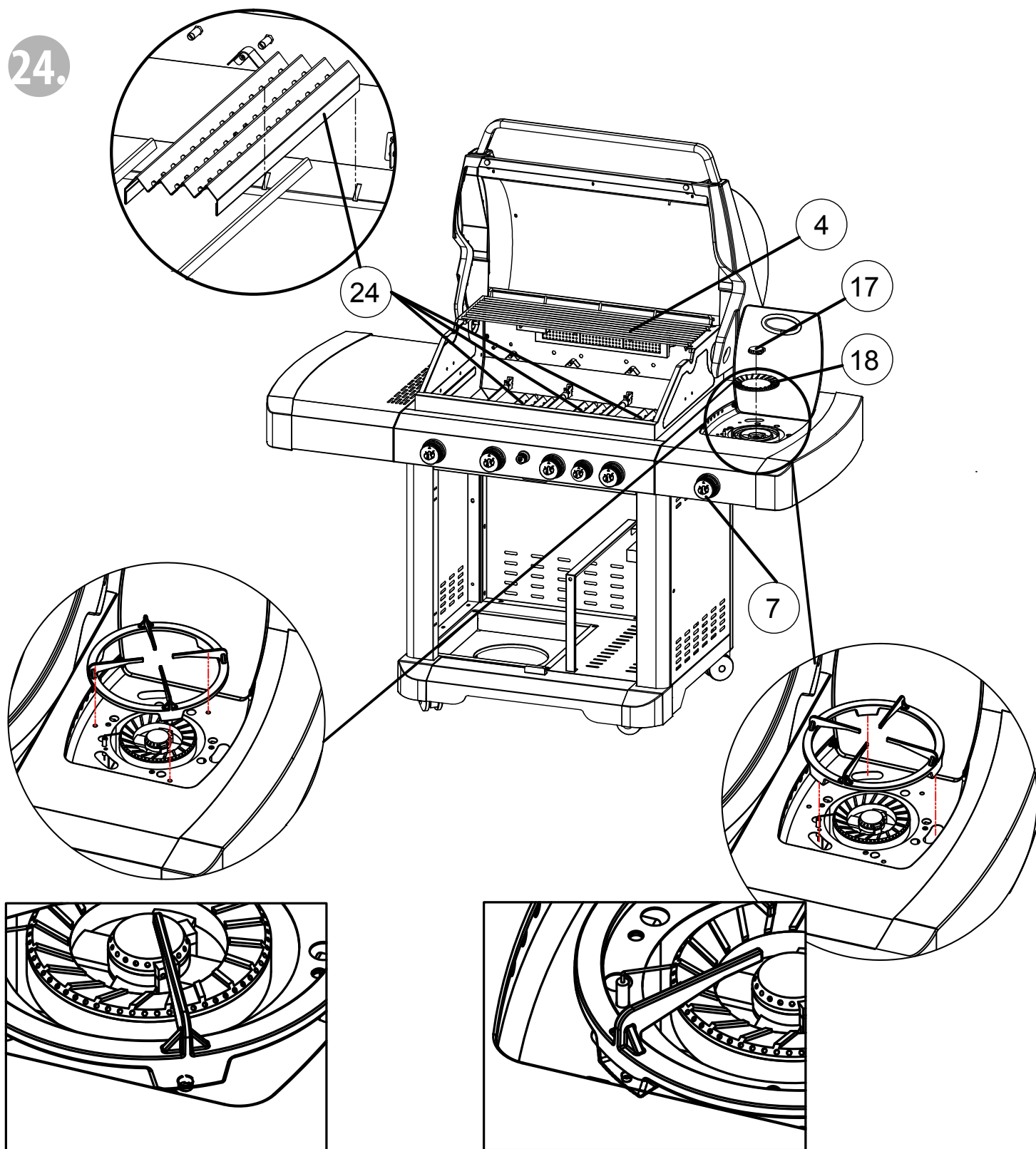


Instructions de montage

23.



Instructions de montage

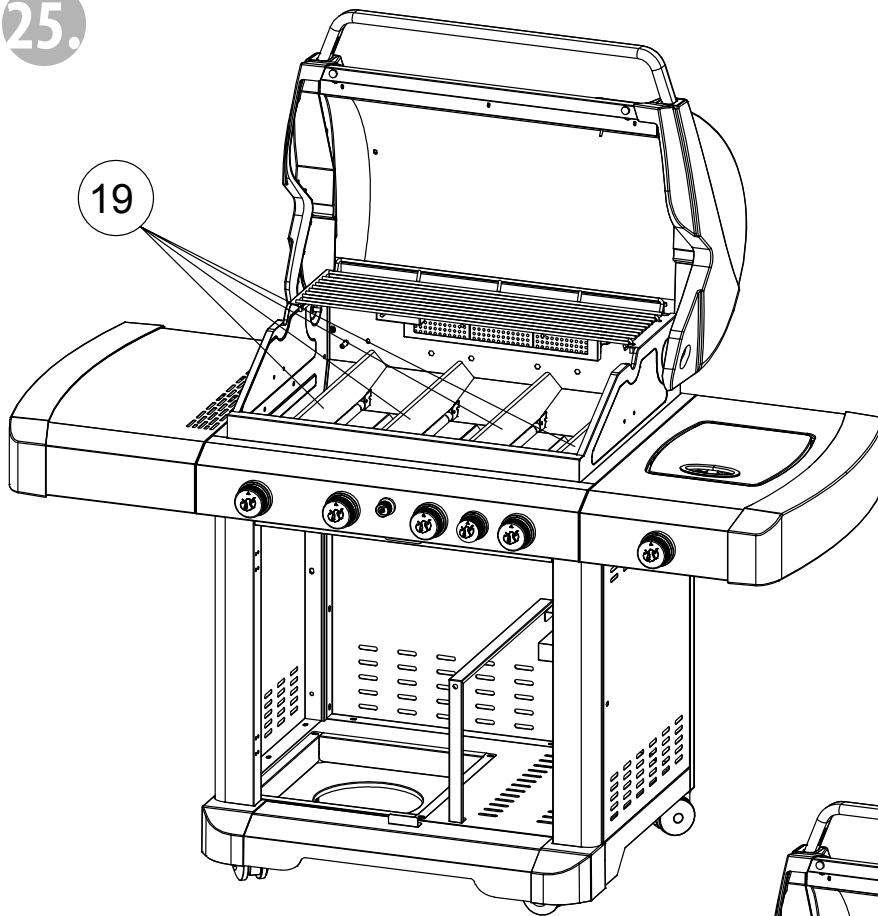


Pour utiliser le brûleur latéral, lever et tourner la grille de cuisson de sorte que les pieds reposent directement sur la tablette du brûleur latéral (pas dans les fentes).

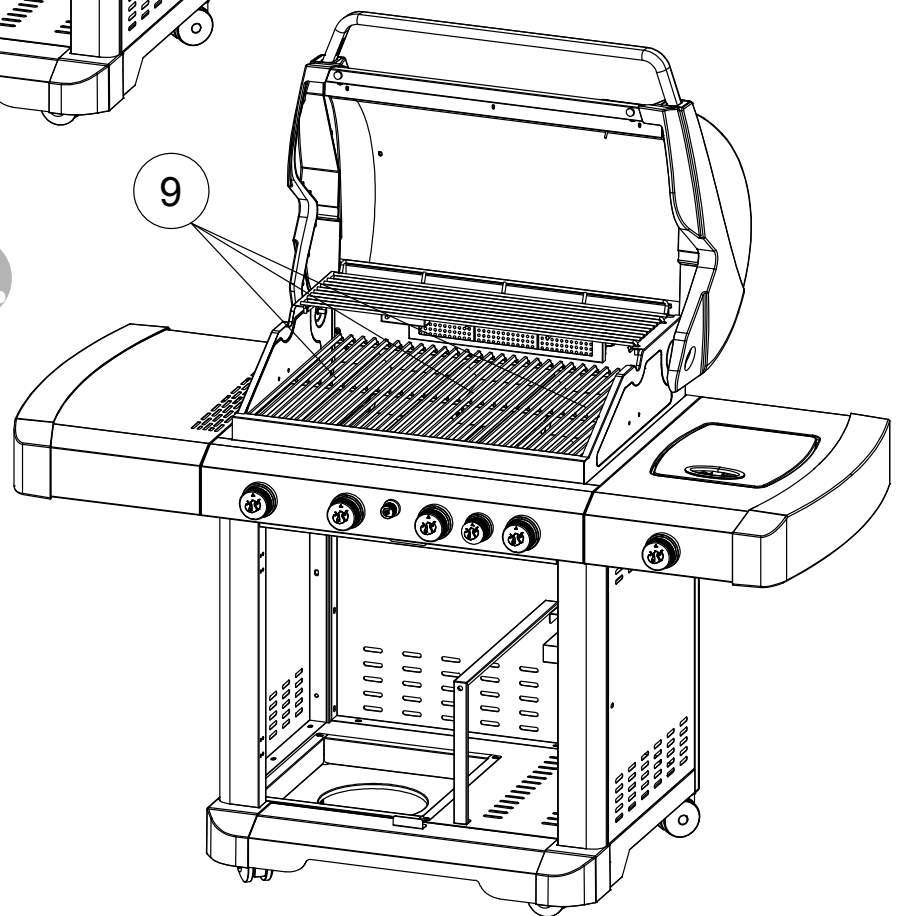
Pour l'entreposage, tourner la grille de cuisson de sorte que les pieds reposent directement sur la tablette du brûleur latéral (pas dans les fentes).

Instructions de montage

25.

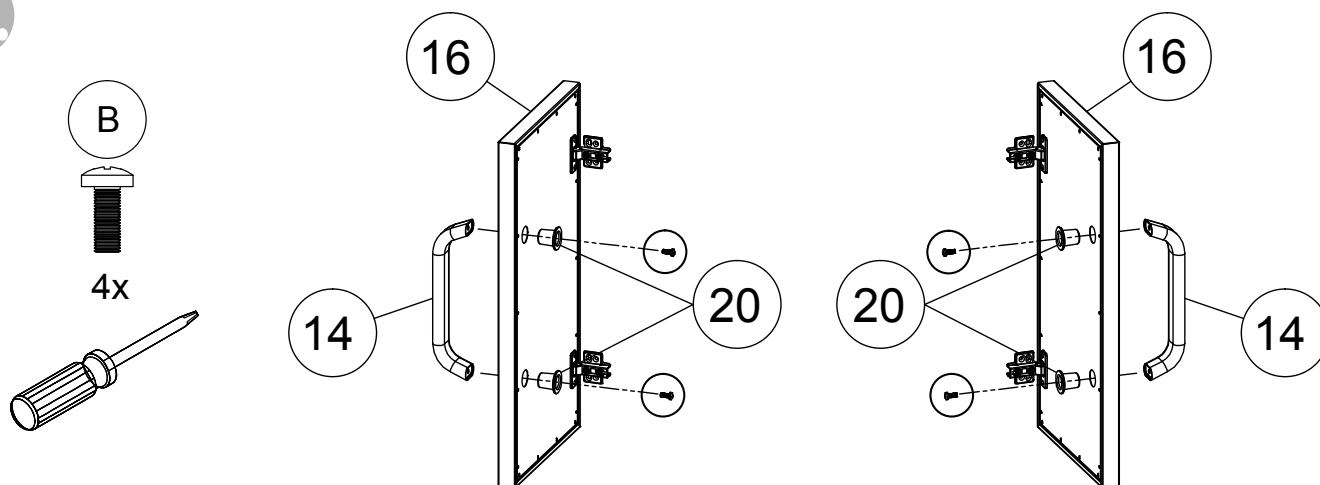


26.

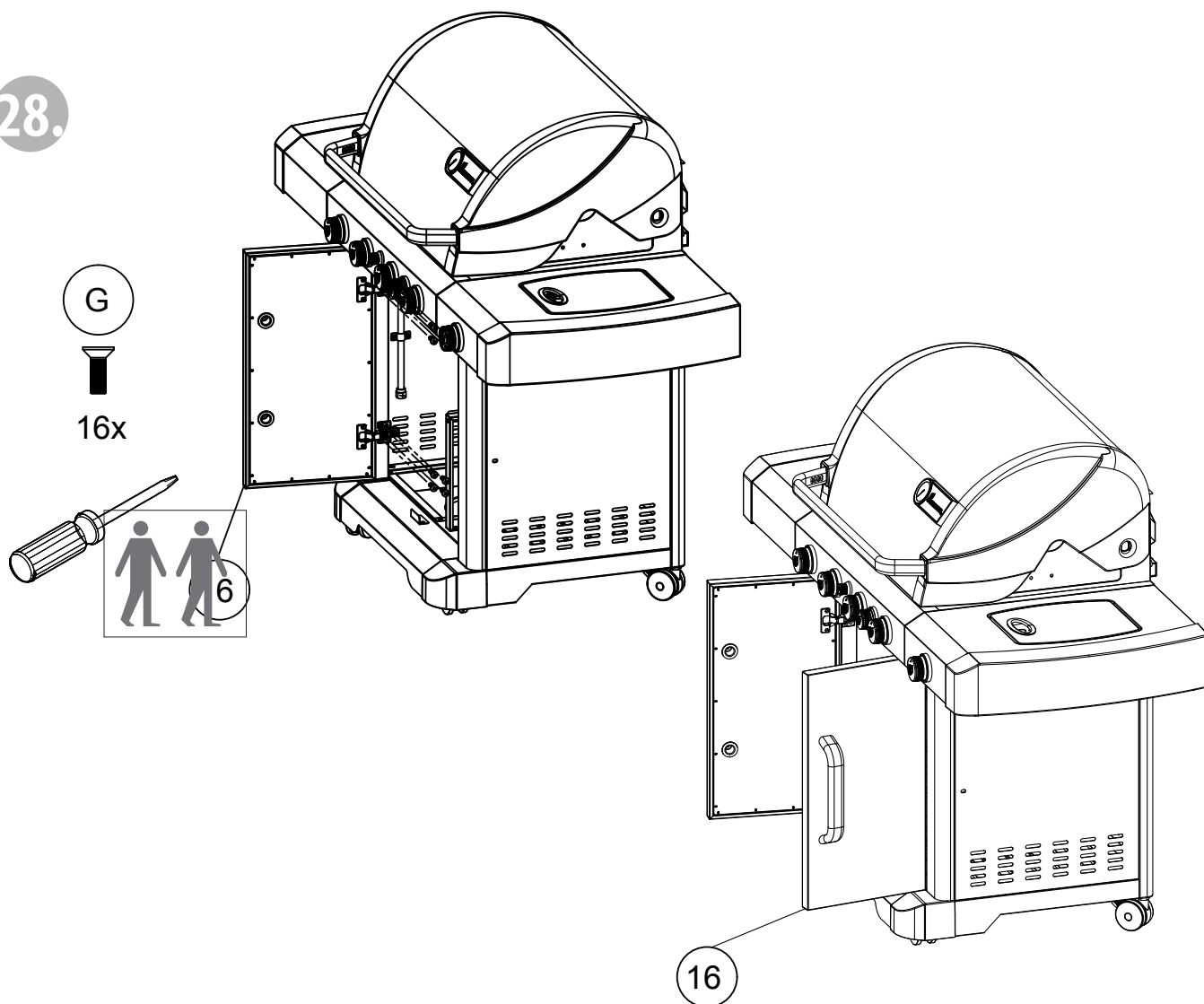


Instructions de montage

27.



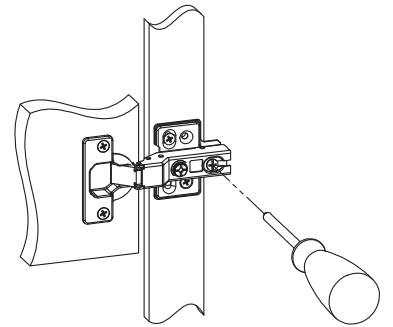
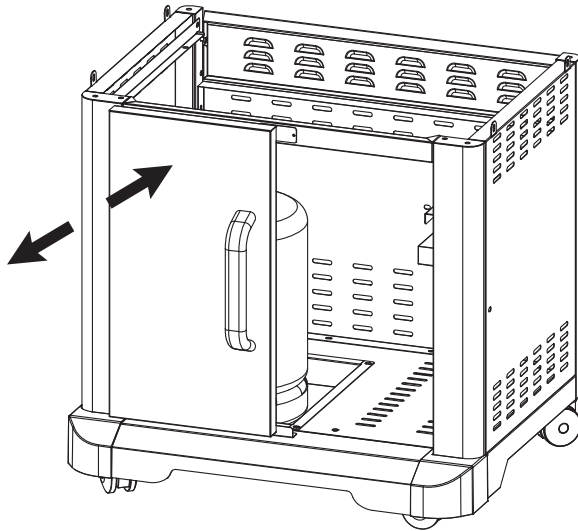
28.



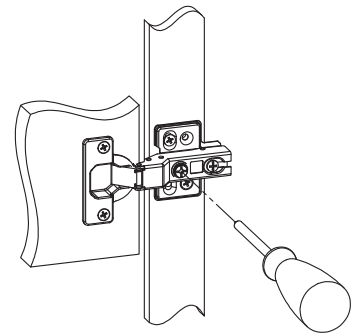
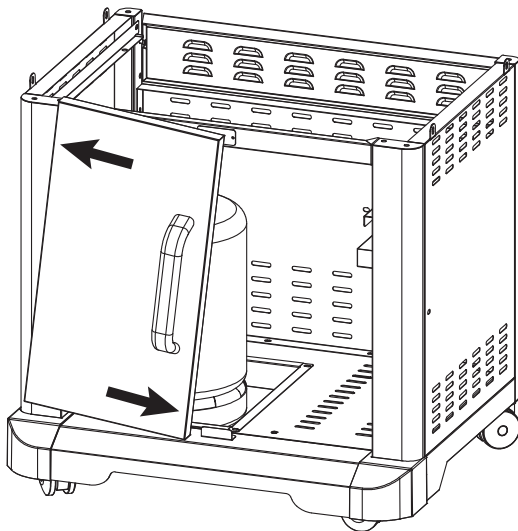
Instructions de montage

29.

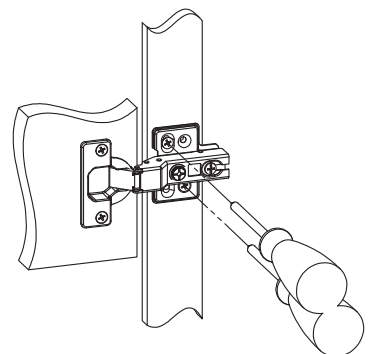
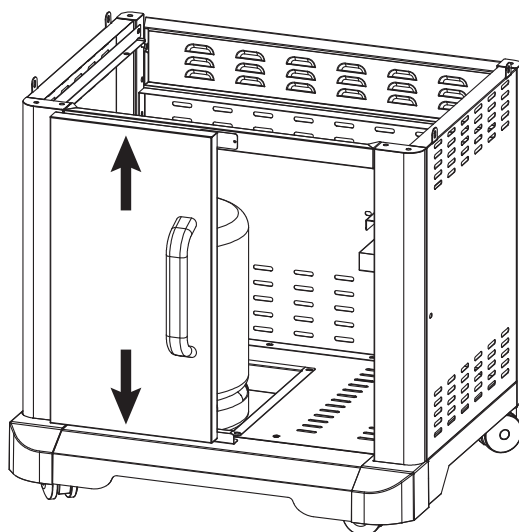
Conseils pour le réglage de la charnière



Ajuster l'espace libre entre la porte et le pilier



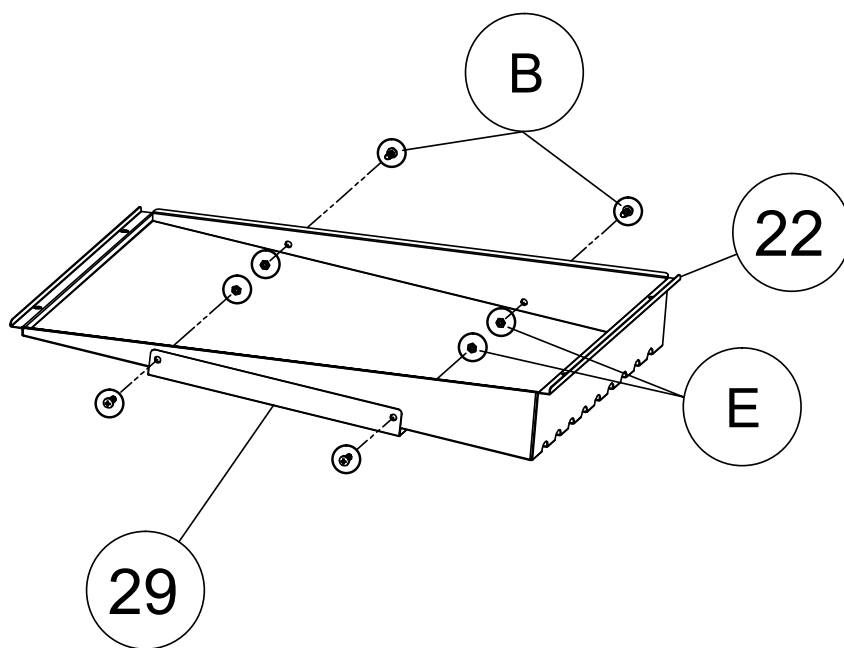
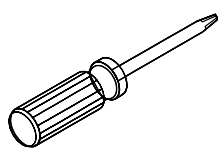
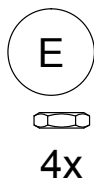
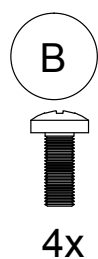
Ajuster l'espace de chevauchement entre la porte et le pilier



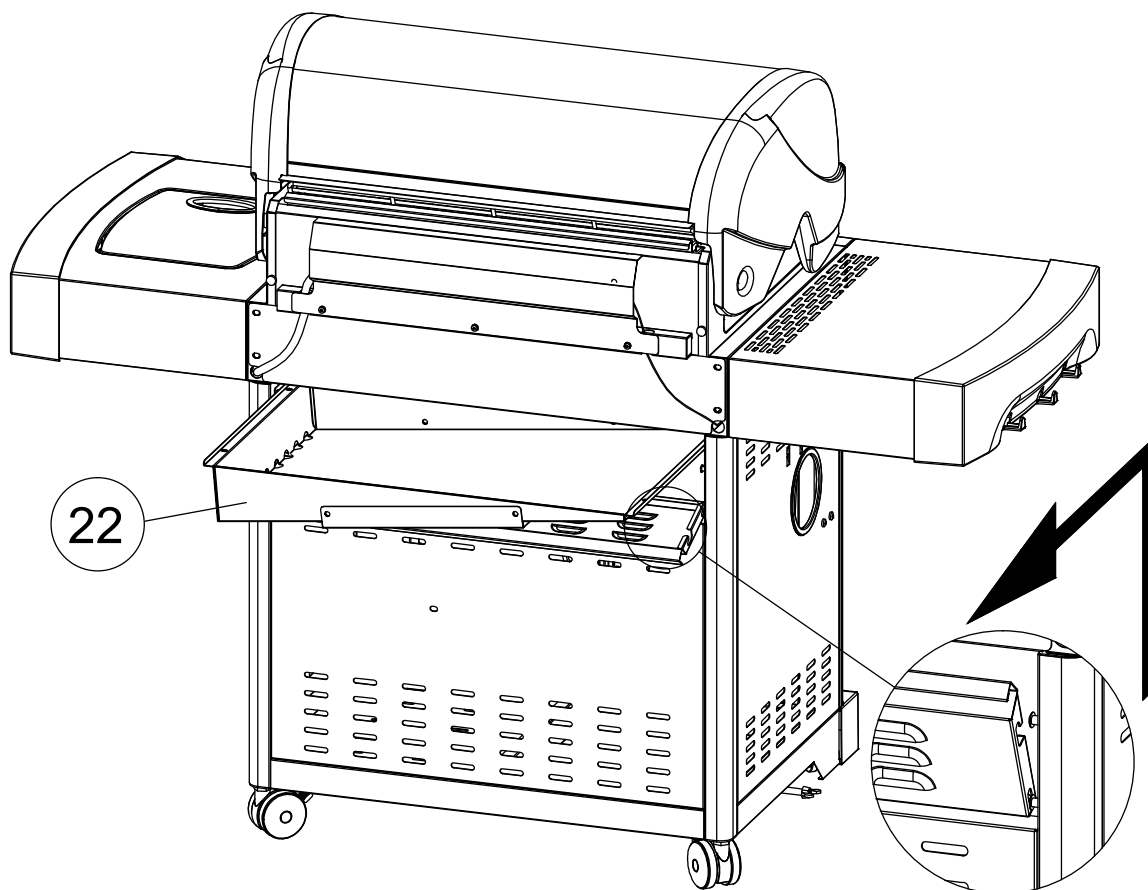
Ajuster la position supérieure et inférieure de la porte

Instructions de montage

30.

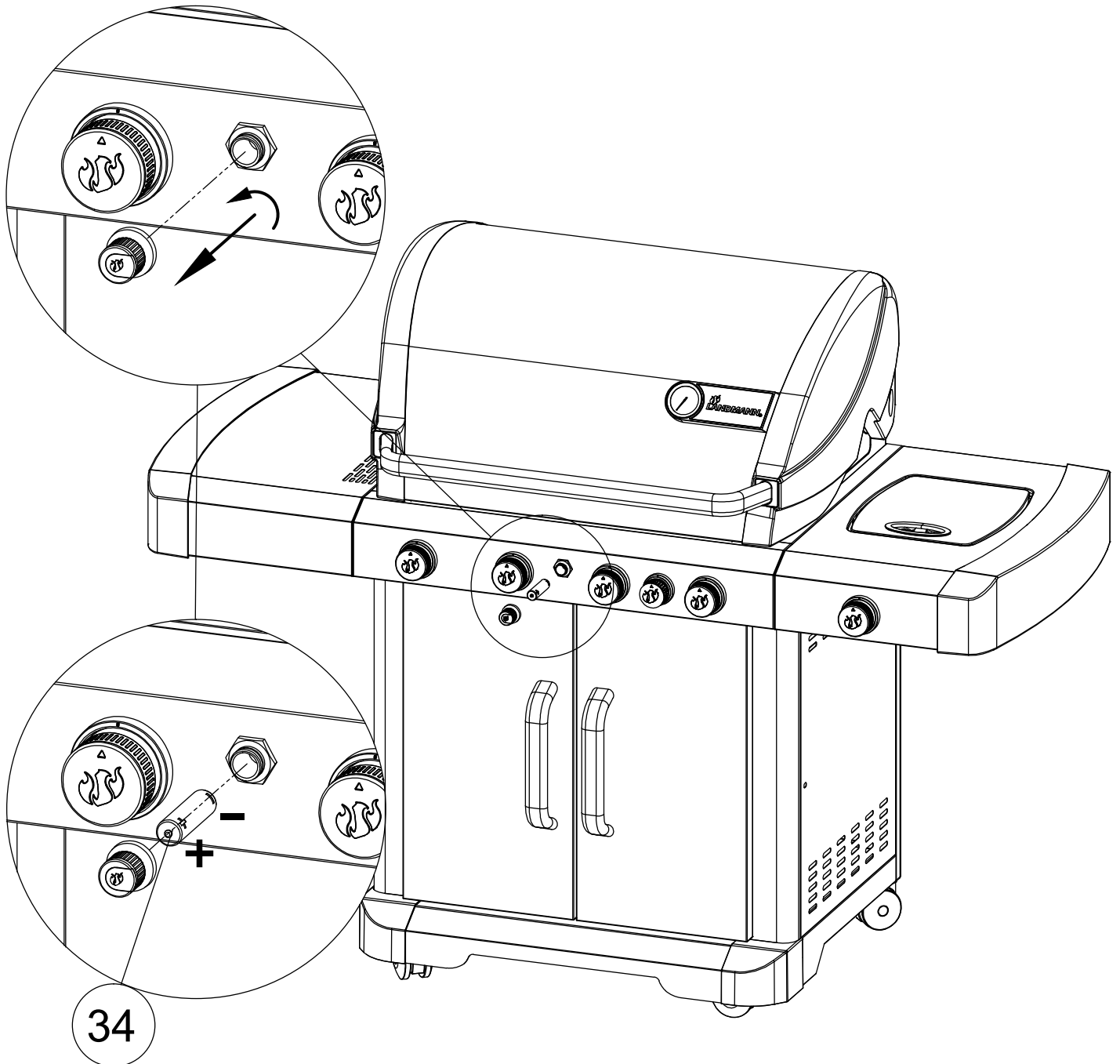


31.



Instructions de montage

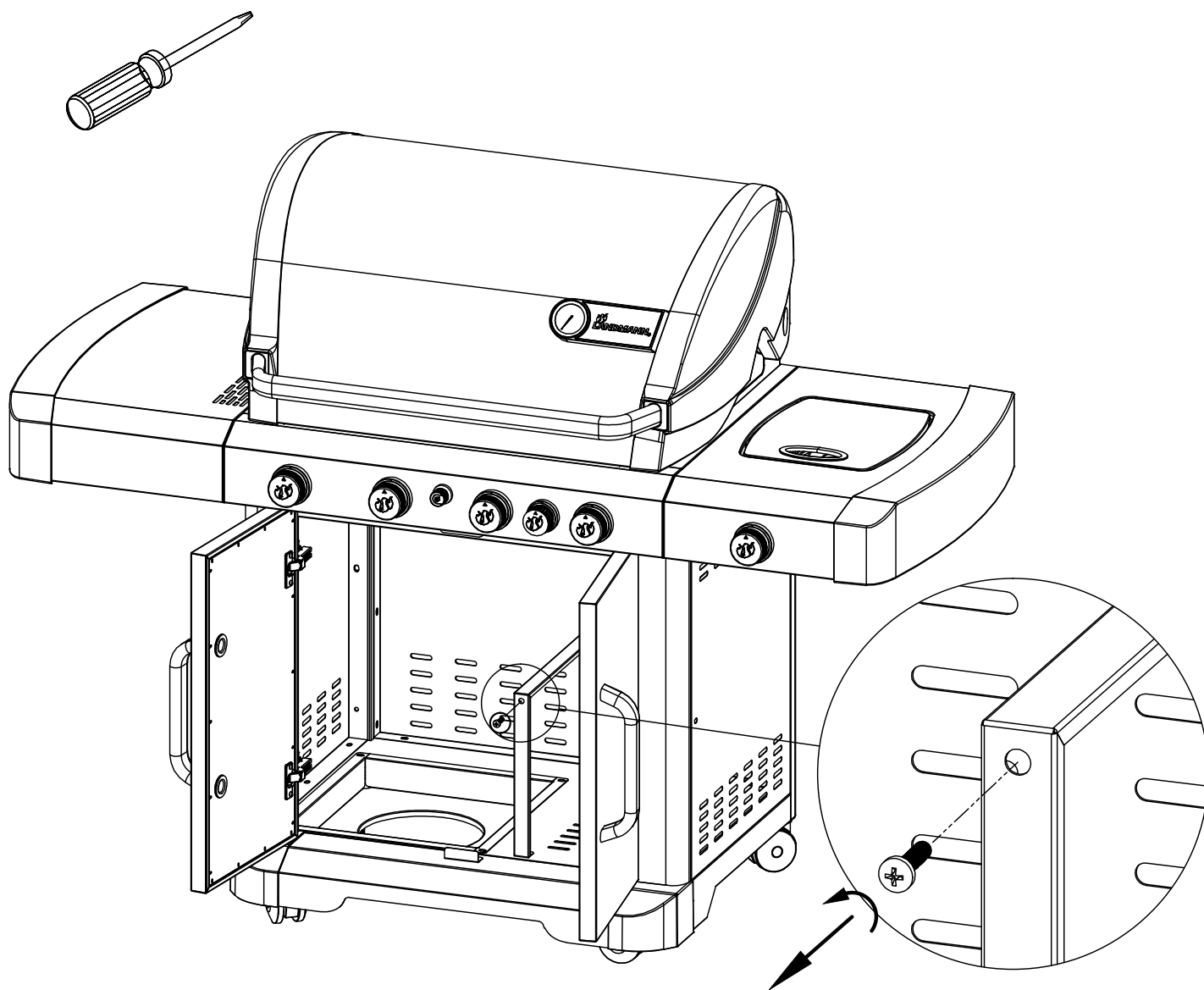
32.



34

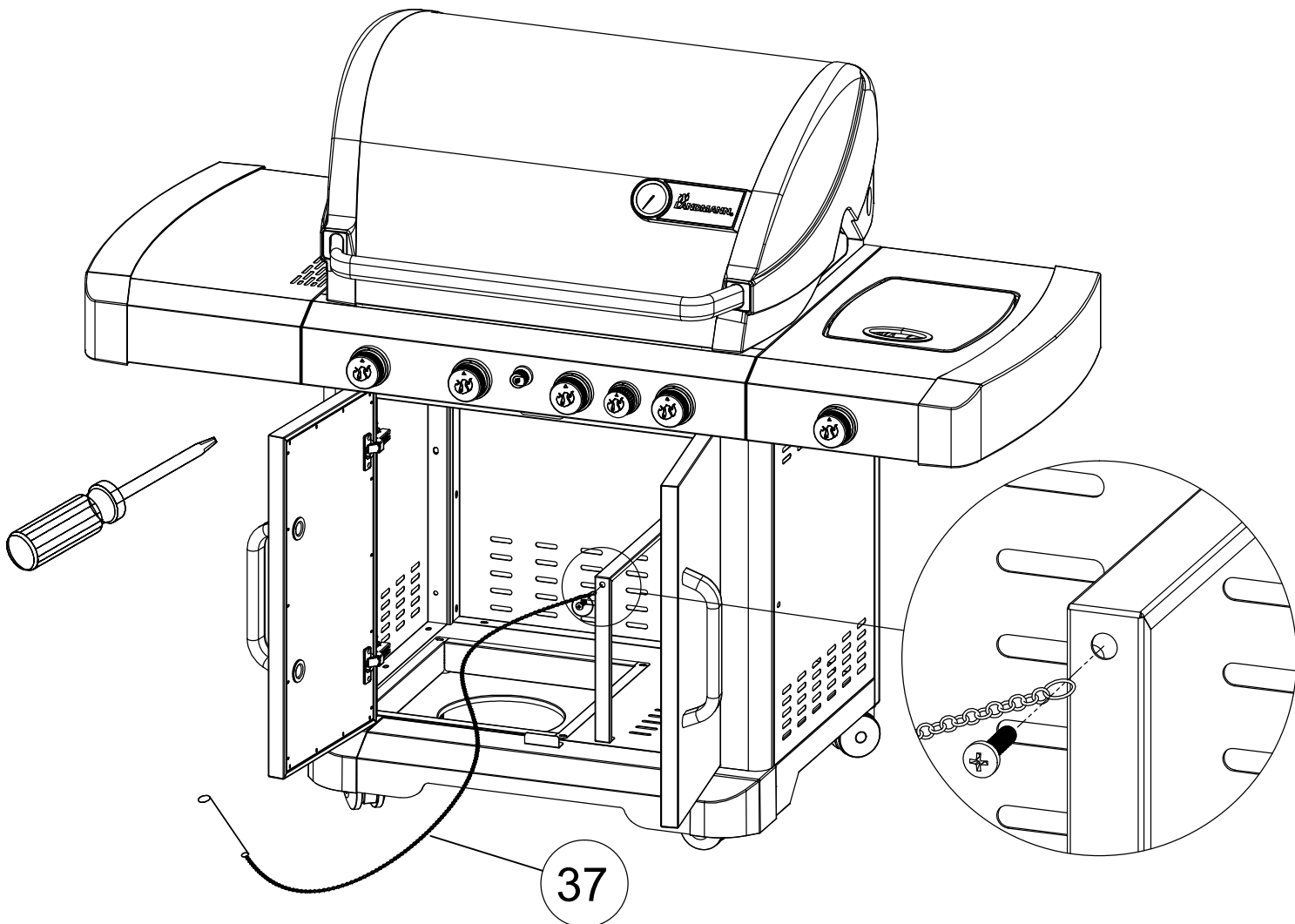
Instructions de montage

33.



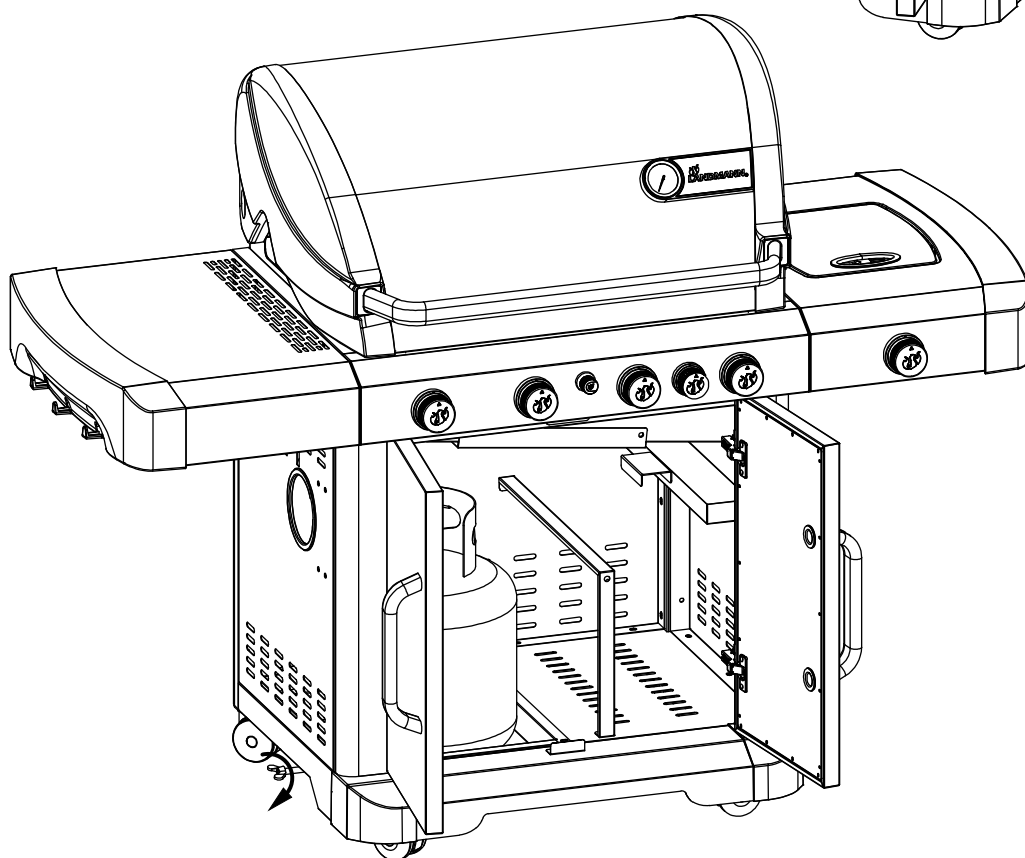
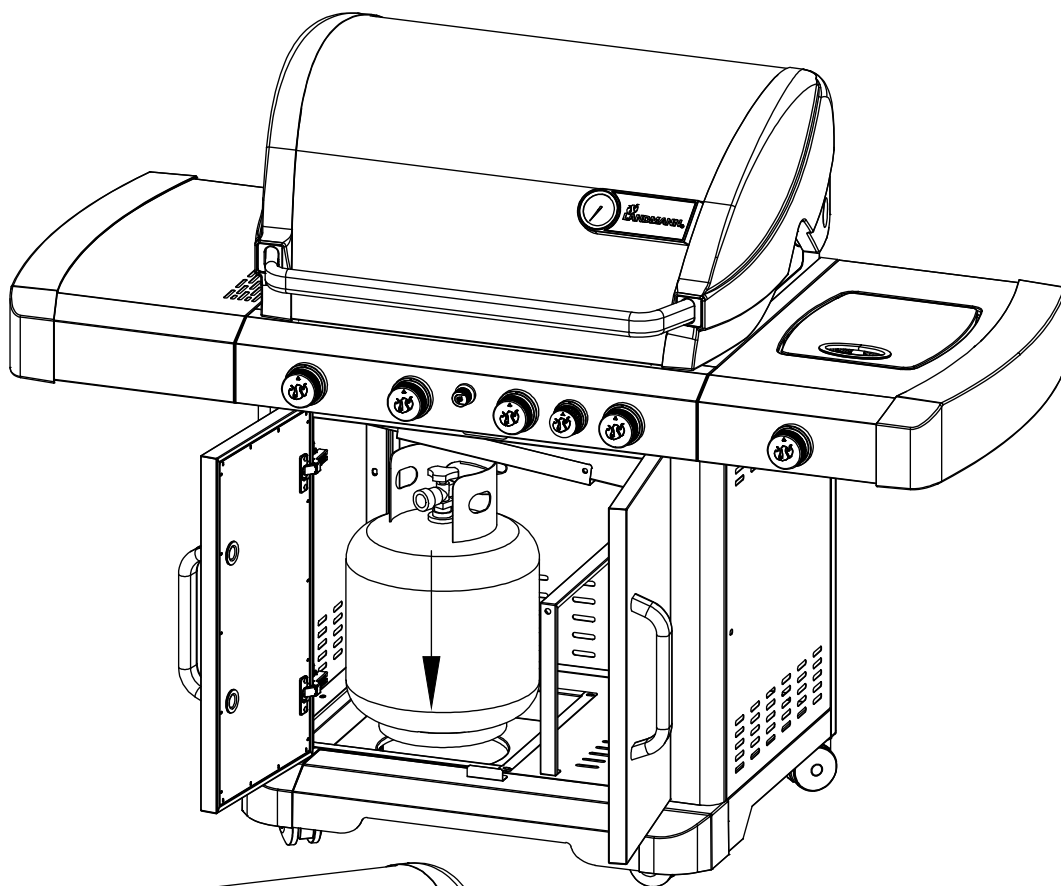
Instructions de montage

34.

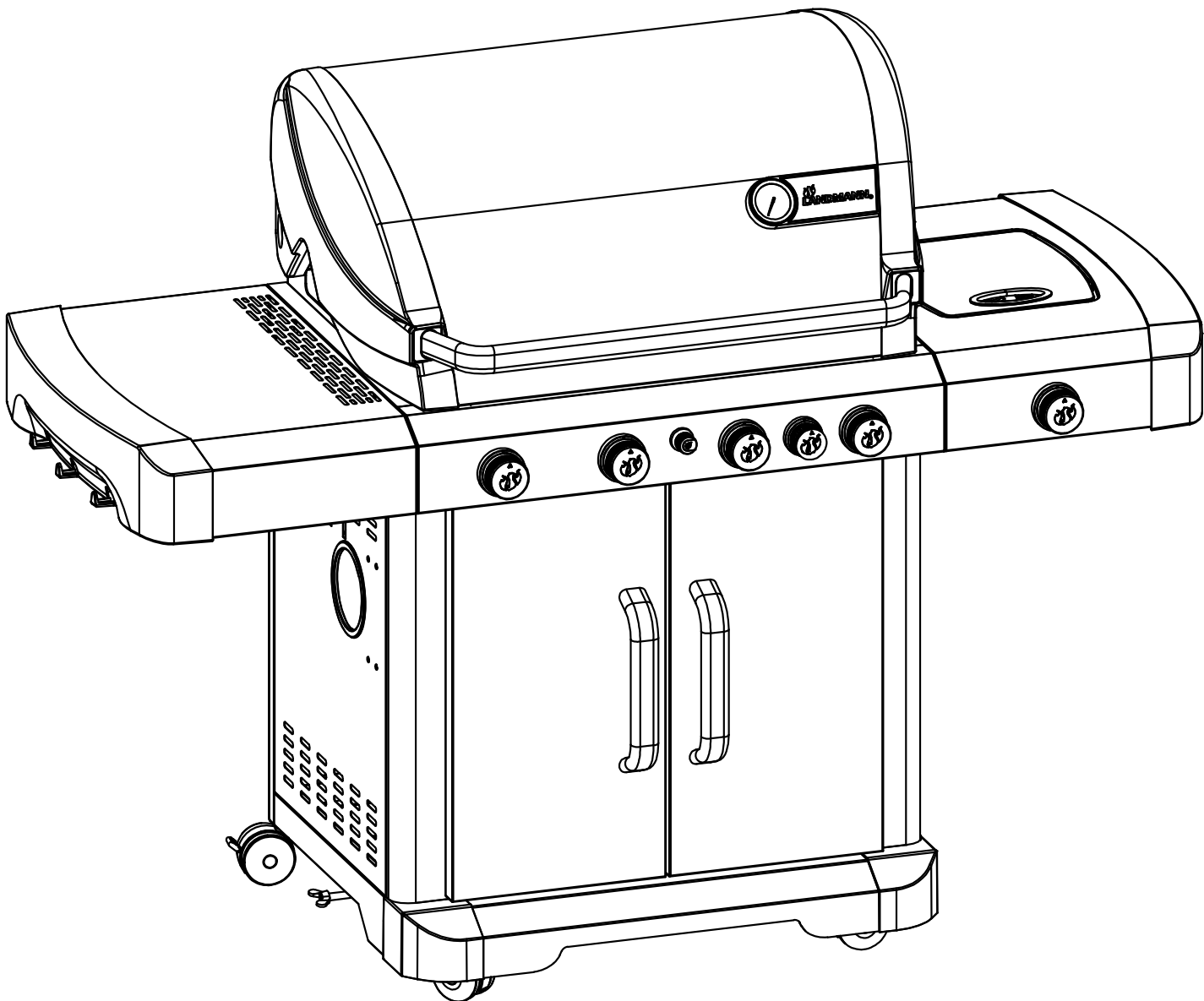


Instructions de montage

35.



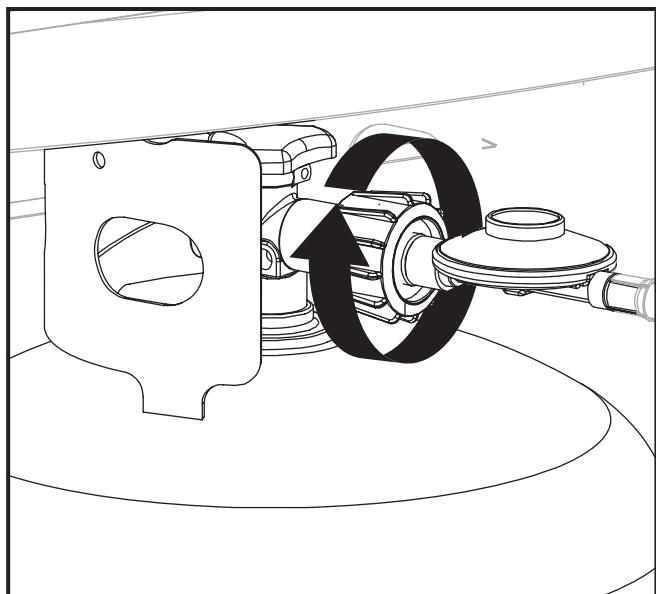
Instructions de montage



Raccordement de la bouteille de gaz

1. **ALWAYS** place the propane cylinder on the tank holder under the cart.
2. **TOUJOURS** s'assurer que tous les boutons de commande du brûleur sont sur la position OFF (arrêt) avant d'ouvrir l'alimentation en gaz.
3. Avant de procéder au raccordement, veiller à ce qu'il n'y ait aucun débris coincé dans la tête de la bouteille de gaz du détendeur ni dans la tête et les orifices du brûleur.
4. **ALWAYS** connect the gas supply regulator as follows: Insert the nipple of the valve coupling into the tank valve and tighten the connection collar by turning it clockwise with one hand while holding the regulator with the other hand.
5. Débrancher la bouteille de propane de la valve du régulateur lorsque le gril n'est pas utilisé.
6. **NE PAS** obstruer le flux d'air de combustion et d'air de ventilation vers le gril.
7. Maintenir les orifices de ventilation du corps de la bouteille dégagés et exempts de débris.

Veillez-vous assurer que le système de raccordement de la valve de la bouteille coïncide correctement et de manière fiable avec le dispositif de raccordement fixé à l'entrée du détendeur.

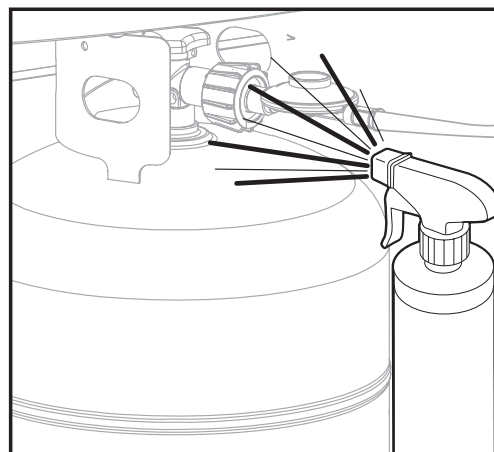


Pour éviter tout risque d'incendie ou d'explosion lors du test de fuite :

1. **TOUJOURS** effectuer le « test de fuite » avant l'allumage du gril et à chaque fois que la bouteille est raccordée pour utilisation.
2. **NE PAS** fumer ou permettre d'autres sources d'allumage dans la zone lors de la réalisation d'un test de fuite.
3. Effectuer le test de fuite à l'extérieur, dans une zone bien ventilée.
4. **NE PAS** utiliser d'allumettes, de briquets ou une flamme pour vérifier l'absence de fuites.
5. **NE PAS** utiliser le gril avant que toutes les fuites aient été colmatées. Si le colmatage d'une fuite est impossible, débrancher l'alimentation en propane, appeler un service pour appareils au gaz ou le fournisseur local de gaz propane.

Contrôle des fuites

1. Préparer une solution pour fuites de 2 à 3 onces en mélangeant une dose de liquide vaisselle avec trois doses d'eau.
2. S'assurer que les boutons de commande sont en position **OFF** (arrêt).
3. Pulvériser de la solution sur la valve du réservoir jusqu'au raccord de la valve. (Voir diagramme ci-dessous.)
4. Inspecter si la solution fait des bulles sur les raccords. Si aucune bulle n'apparaît, le raccord est sûr.
5. Si des bulles apparaissent, une fuite est présente. Aller à l'étape 6.
6. Débrancher le détendeur du réservoir et le rebrancher. S'assurer que le raccord est serré et sûr.
7. Répéter le test avec la solution.
8. Si des bulles se forment, ne pas utiliser ou déplacer la bouteille de PL. Contacter un fournisseur de gaz PL ou les pompiers !





Instructions d'allumage du brûleur principal

Avant la première utilisation, il est important de nettoyer le gril avec de la chaleur. Cela va nettoyer les pièces internes en brûlant les résidus ou les odeurs issus du processus de fabrication. Pour effectuer ce nettoyage, exploiter le gril pendant environ 15 à 20 minutes au réglage de chaleur maximal avec le couvercle de cuisson fermé.


IMPORTANT

Lire ces instructions avant de tenter d'allumer le gril.

 WARNING	<p>Tout manquement à ouvrir le couvercle avant l'allumage peut entraîner une flambée explosive, qui peut causer de graves blessures corporelles ou la mort.</p>
---	---

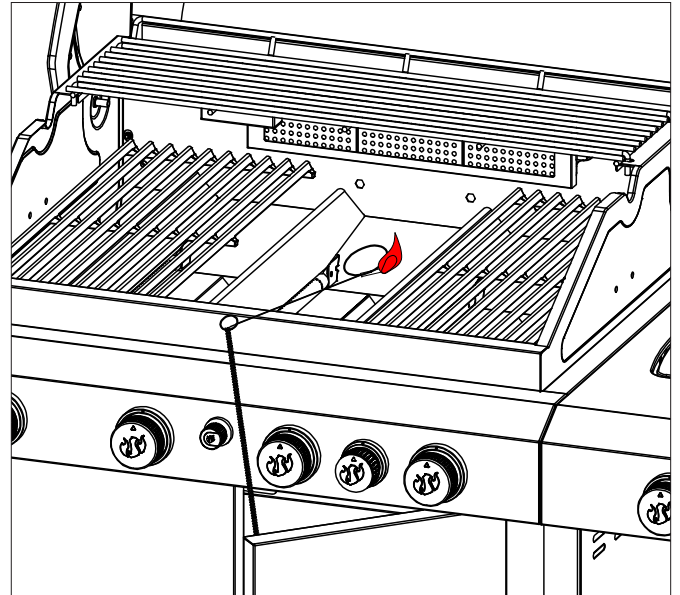
 WARNING	<p>NE PAS se pencher au-dessus du gril ouvert lors de l'allumage.</p>
---	--

1. Ouvrir le couvercle.
2. S'assurer que les boutons de commande sont en position « **• OFF** » (arrêt).
3. Tourner l'alimentation en gaz sur ON.
4. Appuyer sur un bouton de commande et le tourner sur la position « **Max** ». Appuyer sur le bouton d'allumage de l'impulsion d'allumage et le maintenir enfoncé.
5. Si le brûleur ne s'allume pas, ramener immédiatement le bouton de commande sur la position « **• OFF** » et répéter plusieurs fois l'étape 4.
6. Si la flamme d'allumage et le brûleur ne s'allument pas dans les cinq secondes, tourner le bouton de commande sur la position « **• OFF** », attendre au moins cinq minutes pour que le gaz se dissipe avant de réitérer l'étape 4.

 WARNING	<p>Tout manquement au respect de la période de cinq minutes d'attente peut entraîner une flambée explosive, qui peut causer de graves blessures corporelles ou la mort.</p>
---	---

7. Pour éteindre le brûleur, enfoncer le bouton de commande et le tourner dans le sens horaire en position « **• OFF** » (arrêt).

Allumage avec une allumette



Remarque : L'outil d'allumage par allumette se trouve à l'intérieur du meuble.

1. Tourner tous les boutons de commande sur la position **• OFF** (arrêt).
2. Allumer la valve de gaz de la source de gaz.
3. Le couvercle **DOIT** être ouvert pendant l'allumage.
4. Retirer l'outil d'allumage par allumette et insérer une allumette dans l'extrémité de l'outil.
5. Allumer l'allumette.
6. Une fois allumé, placer l'allumette allumée sous la grille.
7. Appuyer sur le bouton de commande et le tourner sur la position « **Max** » pour le brûleur le plus proche de l'allumette allumée. Le brûleur doit s'allumer immédiatement.
8. Régler le bouton de commande du brûleur à la température de cuisson souhaitée..

Utilisation du brûleur pour rôtissoire

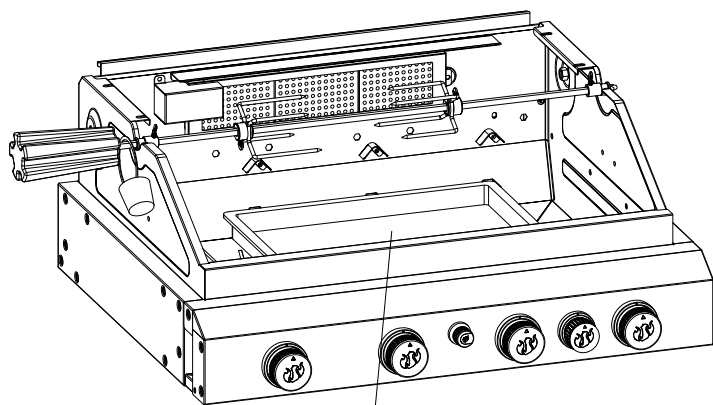
Le brûleur de rôtissoire infrarouge arrière permet une cuisson lente des viandes rouges et volailles. Le brûleur de rôtissoire infrarouge rayonne de la chaleur sur les surfaces extérieure des aliments et permet une cuisson sans écoulement de graisse sur les brûleurs chauds. La cuisson de rôtissoire requiert généralement 1 1/2 à 4 1/2 heures de cuisson, en fonction de la taille et du type de la pièce de viande à cuire.

Le brûleur de rôtissoire est conçu uniquement pour une cuisson de rôtissoire avec le kit de rôtissoire compatible vendu séparément comme accessoire et disponible auprès de votre revendeur local.



La grille de maintien au chaud doit être retirée pour utiliser le brûleur de rôtissoire.

Retirer les grilles de cuisson et tentes de chaleur pour obtenir suffisamment d'espace pour la rotation de la viande. Toujours placer un grand lèche-frites sous les viandes de rôtisserie, afin de collecter les graisse et le jus et empêcher qu'ils ne colmatent les brûleurs principaux. Le lèche-frites peut être posé directement sur les brûleurs principaux.



Lèche-frites

IMPORTANT

Lire ces instructions avant de tenter d'allumer le gril.



Tout manquement à ouvrir le couvercle avant l'allumage peut entraîner une flambée explosive, qui peut causer de graves blessures corporelles ou la mort.



NE PAS se pencher au-dessus du gril ouvert lors de l'allumage.

1. Tourner tous les boutons de commande sur la position **OFF** (arrêt).
2. Allumer la valve de gaz de la source de gaz.
3. Le couvercle **DOIT** être ouvert pendant l'allumage.

4. Retirer la grille de maintien au chaud.
5. Enfoncer et tourner lentement le bouton du brûleur de rôtissoire sur la position **Max**. Appuyer sur le bouton d'allumage de l'impulsion d'allumage et le maintenir enfoncé.
6. Si le brûleur ne s'allume **PAS** après la 5ème tentative au plus tard, tourner le bouton de commande du brûleur sur la position **OFF**, attendre au moins cinq minutes pour que le gaz se dissipe avant réitérer la procédure d'allumage.

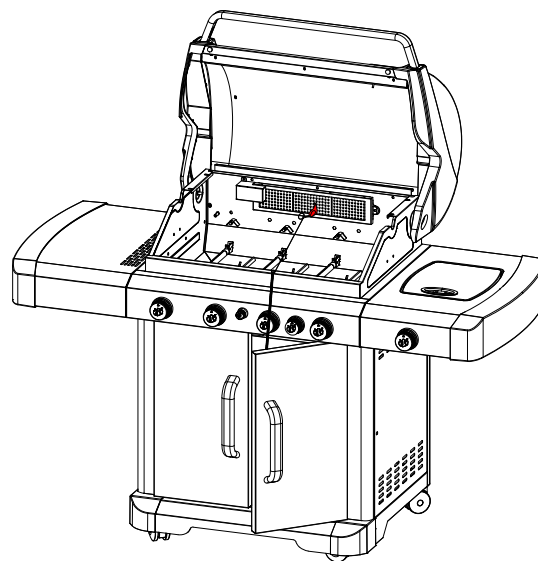


Tout manquement au respect de la période de cinq minutes d'attente peut entraîner une flambée explosive, qui peut causer de graves blessures corporelles ou la mort.

7. Pour éteindre le brûleur, enfoncer le bouton de commande et le tourner dans le sens horaire en position **OFF** (arrêt).

Remarque : En raison de la distance entre la vanne de gaz et le brûleur de rôtissoire, l'allumage du brûleur de rôtissoire peut prendre plusieurs essais pour allumer le brûleur.

Allumage avec une allumette



Remarque : L'outil d'allumage par allumette se trouve à l'intérieur de la porte.

1. Tourner tous les boutons de commande sur la position **OFF** (arrêt).
2. Allumer la valve de gaz de la source de gaz.
3. Le couvercle **DOIT** être ouvert pendant l'allumage.
4. Retirer la grille de maintien au chaud.
5. Retirer l'outil d'allumage par allumette et insérer une allumette dans l'extrémité de l'outil.
6. Allumer l'allumette.
7. Une fois allumée, guider l'allumette sur le devant du brûleur de rôtissoire infrarouge.
8. Appuyer sur le bouton de commande du brûleur de rôtissoire et le tourner sur la position **Max**.
9. Régler le bouton de commande du brûleur à la température de cuisson souhaitée.

Entretien et maintenance

Utiliser les directives suivantes pour garder le grill propre et conserver son aspect neuf. Avant chaque nettoyage, s'assurer que le bouton de commande est en position **• OFF** (arrêt) et que le grill est froid au toucher.

Nettoyage de l'extérieur du grill

Nettoyer soigneusement les surfaces peintes avec une solution d'eau savonneuse chaude. Rincer à l'eau et laisser sécher complètement.

Pour les surfaces en acier inox, utiliser un bon nettoyant pour acier inox.

- Lors du nettoyage, toujours frotter ou essuyer dans le sens du grain de l'acier inox.
- Pour les tâches tenaces, toujours frotter dans le sens du grain de l'acier inox.
- **NE PAS** nettoyer l'acier inox avec un détergent acide, un solvant ou du xylène.
- **NE PAS** utiliser de brosse métallique ou de détergent abrasif pour nettoyer les surfaces en inox, puisque cela occasionnera des rayures sur la surface en inox.

Nettoyage de l'intérieur du grill

Pour la sécurité et l'efficacité, il est important de retirer tous les débris ou excès de graisse qui peuvent s'accumuler à l'intérieur du grill.



Si une brosse à poils est utilisée pour nettoyer les surfaces de cuisson, s'assurer qu'aucun poil détaché ne reste sur la surface de travail, car ils peuvent coller aux aliments.



Ne pas laisser de gouttes ou de résidus alimentaires sur les tentes de chaleur ou le bac récupérateur de graisse. Nettoyer régulièrement pour assurer une performance de cuisson correcte.

- Essuyer le revêtement du couvercle intérieur avec de l'essuie-tout pour prévenir l'accumulation de graisse.
- Pour les tentes de chaleur en acier inoxydable, nettoyer les résidus avec une brosse métallique ou un grattoir plat.
- Retirer le récupérateur de graisse et le vider dans un récipient adapté. Essuyer ensuite avec de l'essuie-tout pour retirer l'excès de graisse.
- Éliminer la graisse du bac récupérateur de graisse du grill et nettoyer les résidus avec une brosse à métaux ou un racloir plat, puis essuyer avec un essuie-tout pour retirer les excédents de graisse.



NE PAS habiller le bac récupérateur de graisse d'une feuille aluminium.

Récupérateur de graisse

Le collecteur de graisse se trouve sous le grill et doit être nettoyé après chaque utilisation pour éviter l'accumulation de résidus.

Note : laisser refroidir le récupérateur de graisse avant de tenter de le nettoyer.

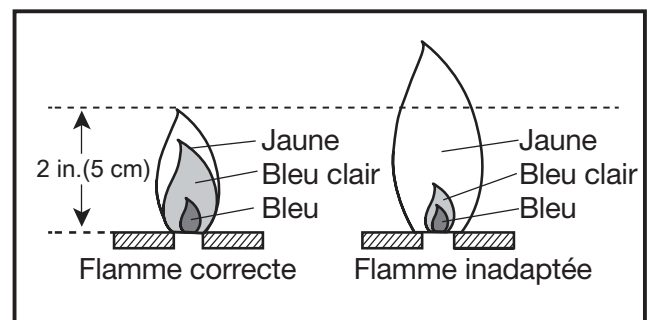
Contrôle du tuyau

Le tuyau doit faire l'objet de contrôles réguliers pour déceler les craquelures, plis, coupures ou traces de frottement.

- Si le tuyau est endommagé, **NE PAS** utiliser le grill.
- Le tuyau doit être remplacé par un tuyau homologué comme indiqué dans le chapitre relatif aux pièces détachées.

Contrôle de la flamme

La flamme sortant des brûleurs doit être une combinaison de bleu et de jaune et doit mesurer entre un et deux pouces (voir ci-dessus).



Retirer le brûleur

S'assurer que tous les boutons de commande sont positionnés sur OFF, que la vanne de gaz PL est fermée et que le tuyau de gaz est débranché de

1. Ouvrir le couvercle et retirer la grille de maintien au chaud, les grilles de cuisson et les tentes de chaleur.
2. À l'aide d'un tournevis cruciforme 2 pt, desserrer la vis retenant le brûleur au dos du grill. **Note :** il s'agit d'une combinaison vis/écrou ; s'assurer donc de tenir l'écrou lors du dévissage de la vis.
3. Glisser le brûleur vers l'avant, puis l'extraire du foyer.
4. Dévisser l'électrode et le câble du brûleur.

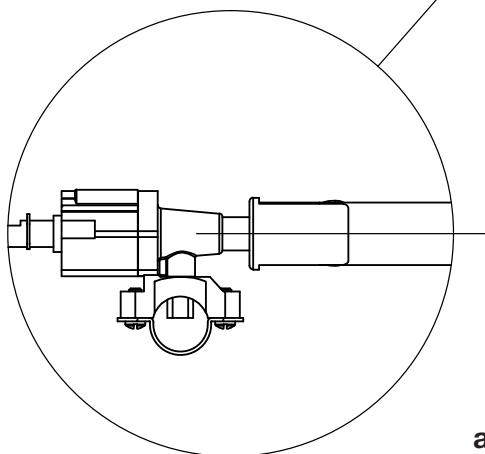
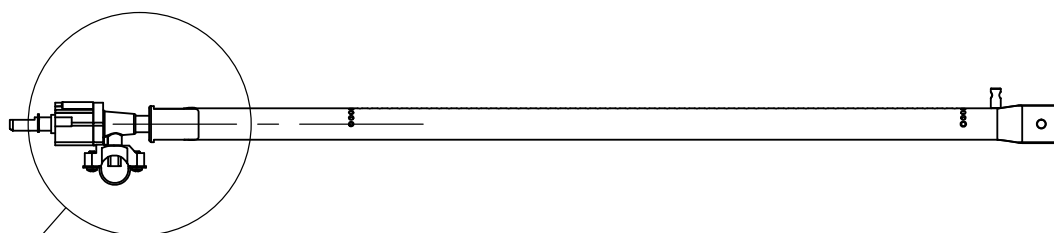
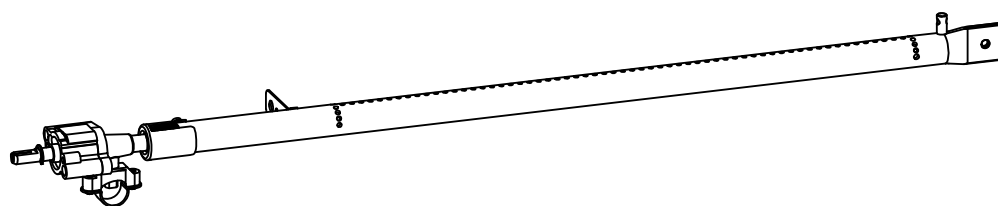
Nettoyer le brûleur

- S'assurer que tous les orifices du brûleur sont exempts d'obstructions. **Astuce :** Pour déboucher, utiliser une épingle ou un trombone.
- S'assurer que le brûleur est exempt de dommages. Si un dommage est détecté, remplacer le brûleur.
- S'assurer que l'extrémité du brûleur et le filtre à air primaire sont exempts de nids d'insectes, de poussière ou de débris.

Entretien et maintenance

Remontage du brûleur

1. S'assurer que les orifices de la vanne de gaz sont correctement positionnés à l'intérieur de l'alimentation du brûleur.
2. Rebrancher l'électrode et le câble au brûleur.
3. Refixer l'ensemble vis et écrou..
4. Remettre en place les tentes de chaleur, grilles de cuisson et grille de maintien au chaud.



**aligner correctement les buses de la
valve de gaz dans l'entrée du brûleur.**

Méthodes et conseils de cuisson

Chaleur directe

Pour la cuisson à chaleur directe, les aliments sont placés sur les grilles du gril, directement au-dessus des brûleurs allumés.

- Le couvercle peut être ouvert ou fermé.
- Si le couvercle est ouvert, le temps de cuisson est généralement plus long.
- La chaleur directe est utilisée pour griller les aliments afin d'emprisonner les jus naturels en cuisant les aliments à chaleur intense pendant une courte durée. L'extérieur de l'aliment est brun et possède une croûte au goût grillé


Avant de faire griller des aliments

- S'assurer que les aliments sont complètement décongelés avant de les faire griller.
- Avec le couvercle du gril fermé, chauffer le gril à une puissance élevée pendant 5 à 10 minutes.
- **NE PAS** soulever le couvercle pendant le processus de préchauffage.
- Le processus de préchauffage à chaleur élevée est nécessaire pour faire dorer et saisir les jus des aliments.
- Pour la viande et la volaille très grasses, enlever l'excédent de gras de la viande et réduire le temps de préchauffage. Ces deux mesures aident à réduire les flambées de graisse qui goutte.
- Huiler légèrement les grilles de cuisson lors de la cuisson de viande, poisson ou volaille pauvre en graisse. Tenir compte du fait qu'une utilisation excessive d'huile peut engendrer un dépôt de cendre grise sur la nourriture.

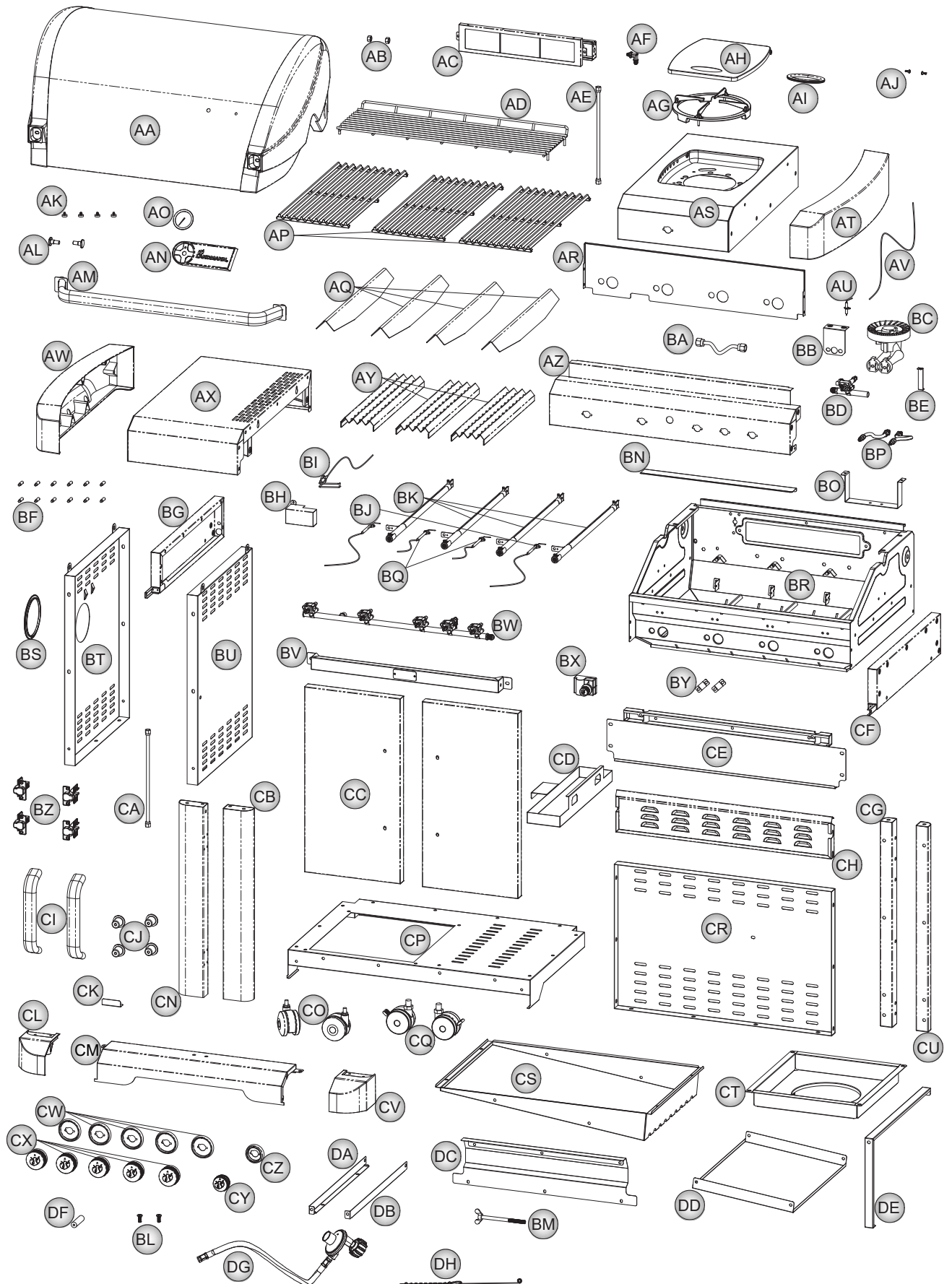
Pendant la cuisson

- La jauge de température sur le couvercle indique la température de cuisson à l'intérieur du gril.
- Retourner les aliments une seule fois si possible. Les jus sont perdus lorsque la viande est retournée plusieurs fois.
- Retourner la viande juste quand les jus commencent à apparaître à la surface.
- Éviter de piquer ou de couper la viande pour tester la cuisson. Cela entraîne l'écoulement des jus.
- Ajouter de la sauce de barbecue uniquement au cours des 10 dernières minutes de cuisson pour éviter qu'elle ne brûle.
- La cuisson de la viande dépend du type de viande, de la taille, de la forme et de l'épaisseur de la viande, du réglage ou de la méthode de chauffe et de la durée sur le gril.
- Le temps de cuisson est plus long lorsque le couvercle du gril est ouvert.
- Prolonger le temps de cuisson lorsqu'il fait froid et qu'il y a du vent, ou à des altitudes plus élevées. À l'inverse, réduire le temps de cuisson lorsqu'il fait extrêmement chaud.
- Les conditions de grillade peuvent requérir des ajustements des brûleurs pour obtenir et maintenir les bonnes températures de cuisson.
- Utiliser des pinces pour tourner et manipuler la viande et non une fourchette pour éviter de perdre les jus de la viande.
- En cas d'embrasement, tourner le bouton de commande en position "● OFF" (arrêt) et déplacer les aliments sur une autre zone de la grille de cuisson. Une fois que les flammes se sont atténuées, rallumer les brûleurs à l'aide des instructions d'allumage décrites dans ces instructions de service.
- **NE JAMAIS** utiliser de l'eau pour éteindre une flamme sur un gril au gaz.

Dépannage

Problème	Cause	Solution
Le gril ne s'allume pas.	<ol style="list-style-type: none"> 1. La valve de la bouteille de gaz PL est fermée. 2. Le niveau de gaz dans la bouteille de gaz PL est bas.. 3. Aucun cliquetis lorsque le bouton d'allumage électronique n'est actionné. 4. Un « allumage avec une allumette » peut s'avérer nécessaire. 5. Les électrodes peuvent être humides. 6. Des débris colmatent les électrodes. 7. Aucune étincelle ne s'allume à la pointe de l'électrode. 	<ol style="list-style-type: none"> 1. OUVRIR la valve de la bouteille de gaz PL. 2. Remplacer la bouteille de gaz PL. 3. Contrôler si la pile est installée correctement avec le + orienté vers l'extérieur. Remplacer la pile le cas échéant. 4. Allumer le gril selon l'« allumage avec une allumette » décrit dans ces instructions de service. 5. Sécher les électrodes avec un chiffon sec. 6. Nettoyer les électrodes à l'alcool et réessayer. 7. Remplacer l'électrode.
La flamme ne reste pas allumée.	<ol style="list-style-type: none"> 1. La valve de la bouteille de gaz PL est fermée. 2. Le niveau de gaz dans la bouteille de gaz PL est bas.. 3. Le brûleur n'est pas installé correctement ou est sale. 	<ol style="list-style-type: none"> 1. OUVRIR la valve de la bouteille de gaz PL. 2. Remplacer la bouteille de gaz PL. 3. Réinstaller le brûleur correctement et nettoyer les débris.
La flamme est faible, irrégulière ou bruyante.	<ol style="list-style-type: none"> 1. Le niveau de gaz dans la bouteille de gaz PL est bas.. 2. Procédure d'allumage incorrecte. 3. Les orifices du brûleur sont peut-être bouchés. 4. L'alimentation en gaz est peut-être pliée ou pincée. 5. Le gril est peut-être placé dans une zone trop exposée au vent. 6. Les arrivées d'air sont obstruées par des débris de graisse ou des insectes. 	<ol style="list-style-type: none"> 1. Remplacer la bouteille de propane. 2. Débrancher le tuyau du détendeur du réservoir de PL, le rebrancher et suivre exactement la procédure d'allumage telle qu'elle est décrite. 3. Si seul un brûleur est affecté, inspecter et nettoyer les orifices du brûleur. 4. Redresser le flexible d'alimentation en gaz. 5. Attendre que le vent faiblisse pour continuer. 6. Nettoyer les obstructions présentes dans les arrivées d'air du brûleur.
Flambées excessives <div style="border: 1px solid black; padding: 5px; margin-top: 10px;">  <p style="text-align: center; font-weight: bold; font-size: 1.2em;">CAUTION</p> <p>NE PAS pulvériser d'eau sur les flammes de gaz - cela pourrait endommager le gril.</p> </div>	<ol style="list-style-type: none"> 1. Les flambées sont normalement dues à un excès de graisse de la viande en train de cuire. 2. Le gril est sale. 3. La température de cuisson est peut-être trop élevée. 4. Le couvercle est fermé. 5. Les aliments sont trop cuits ou brûlés. 6. Le foyer, le récipient de récupération de la graisse et le bac récupérateur de graisse sont remplis de graisse. 	<ol style="list-style-type: none"> 1. Enlever le gras de la viande en train de cuire. 2. S'assurer que le gril est propre. 3. Garder la flamme à petit feu ou couper un des brûleurs. 4. Laisser le couvercle ouvert lors de la cuisson pour éviter les flambées excessives. 5. Déplacer les aliments sur une autre zone du gril jusqu'à ce que les flammes s'atténuent. 6. Nettoyer le foyer, le récipient de récupérateur de la graisse et le bac récupérateur de graisse.
Le gril ne chauffe pas suffisamment.	<ol style="list-style-type: none"> 1. Le niveau de gaz de la bouteille de propane est faible. 2. Le limiteur de débit de gaz a peut-être été activé. 	<ol style="list-style-type: none"> 1. Remplacer ou remplir la bouteille de gaz PL. 2. FERMER tous les boutons de commande et la valve de la bouteille de gaz PL. Débrancher le détendeur de la bouteille de gaz PL. Inspecter et nettoyer le raccord de la bouteille de gaz PL et le connecteur du détendeur. Attendre 1 minute. Rebrancher le détendeur et procéder à un test de fuite. Allumer le gril en suivant la procédure d'allumage à la lettre.

Pièces de rechange



Pièces de rechange

Pièce	Description	Qté	Pièce #
AA	Couvercle du gril	1	AV0073
AB	Contrécrou	2	AV0002
AC	Brûleur pour rôtissoire	1	AV0074
AD	Grille de maintien au chaud	1	AV0075
AE	Tuyau de gaz pour brûleur pour rôtissoire	1	AV0076
AF	Coude et orifice de gaz pour brûleur pour rôtissoire	1	AV0077
AG	Grille du brûleur latéral	1	AV0004
AH	Couvercle de brûleur latéral	1	AV0005
AI	Poignée du couvercle de brûleur latéral	1	AV0006
AJ	Sous-ensemble de charnières du couvercle de brûleur latéral	2	AV0007
AK	Tampon en caoutchouc	4	PF0001
AL	Charnière du couvercle	2	AV0008
AM	Poignée du couvercle	1	AV0078
AN	Plaque à logo	1	AV0010
AO	Jauge de température 2.5"	1	AV0011
AP	Grille de cuisson, petit modèle	3	AV0014
AQ	Tente de chaleur	4	AV0013
AR	Écran thermique avant	1	AV0079
AS	Tablette de brûleur latéral	1	AV0016
AT	Capuchon terminal de la tablette de brûleur latéral	1	AV0017
AU	Electrode de brûleur latéral	1	AV0018
AV	Câble d'électrode de brûleur latéral	1	AV0019
AW	Capuchon terminal de la tablette latérale, gauche	1	AV0020
AX	Tablette latérale, gauche	1	AV0021
AY	Écran thermique inférieur	3	AV0022
AZ	Panneau de commande	1	AV0080
BA	Tuyau de gaz flexible	1	AV0024
BB	Étrier pour brûleur latéral A	1	AV0025
BC	Brûleur latéral	1	AV0026
BD	Sous-ensemble de distributeur et de vanne de brûleur latéral	1	AV0027
BE	Étrier pour brûleur latéral B	1	AV0028
BF	Axe de support	12	AV0029
BG	Cache latéral du foyer, gauche	1	AV0030
BH	Cache d'électrode de brûleur pour rôtissoire	1	AV0081
BI	Electrode de brûleur pour rôtissoire et câble	1	AV0082
BJ	Electrode de brûleur principal et câble 450 mm	2	AV0035
BK	Sous-ensemble de brûleur principal	4	AV0032
BL	Vis (M6x16)	2	AV0033
BM	Vis pour bouteille PL	1	AV0034
BN	Ecran pour brûleur pour rôtissoire	1	AV0083
BO	Étrier pour brûleur latéral C	1	AV0037
BP	Tuyau de gaz du brûleur latéral	2	AV0038
BQ	Electrode de brûleur principal et câble 250 mm	2	AV0031
BR	Foyer du gril	1	AV0084
BS	Joint du panneau latéral du chariot	1	AV0039
BT	Panneau latéral de chariot, gauche	1	AV0040


Pièces de rechange

Pièce	Description	Qté	Pièce #
BU	Panneau latéral de chariot, droit	1	AV0041
BV	Renfort transversal supérieur du chariot	1	AV0085
BW	Sous-ensemble de distributeur et de vanne	1	AV0086
BX	Allumeur électronique	1	AV0087
BY	Pince	2	AV0045
BZ	Charnière de porte	4	AV0046
CA	Tuyau de gaz flexible	1	AV0047
CB	Pied avant droit du chariot	1	AV0048
CC	Porte du chariot	2	AV0088
CD	Récupérateur de graisse	1	AV0050
CE	Cache arrière du foyer	1	AV0089
CF	Cache latéral du foyer, droit	1	AV0052
CG	Pied arrière gauche du chariot	1	AV0053
CH	Porte du bac récupérateur de graisse	1	AV0090
CI	Poignée de porte du chariot	2	AV0055
CJ	Manche de poignée de porte du chariot	4	AV0056
CK	Butée de porte de base du chariot	1	AV0091
CL	Base avant gauche du chariot	1	AV0057
CM	Bave avant centrale du chariot	1	AV0092
CN	Pied avant gauche du chariot	1	AV0059
CO	Roulette sans frein	2	PC0003
CP	Panneau de base du chariot	1	AV0093
CQ	Roulette à frein	2	PC0005
CR	Panneau arrière du chariot	1	AV0094
CS	Bac récupérateur de graisse	1	AV0095
CT	Plateau de bouteille PL	1	AV0066
CU	Pied arrière gauche du chariot	1	AV0062
CV	Base avant droite du chariot	1	AV0064
CW	Collerette de bouton de commande	5	PC0146
CX	Bouton de commande	5	AV0063
CY	Bouton de commande du brûleur pour rôtissoire	1	AV0096
CZ	Collerette du bouton de commande du brûleur pour rôtissoire	1	AV0097
DA	Support de bac récupérateur de graisse, gauche	1	AV0067
DB	Support de bac récupérateur de graisse, droit	1	AV0068
DC	Couvercle du brûleur pour rôtissoire	1	AV0098
DD	Écran thermique pour bac récupérateur de graisse	1	AV0070
DE	Barre pour bouteille PL A	1	AV0099
DF	Pile AA	1	AV0069
DG	Tuyau et régulateur de PL	1	PC0118
DH	Outil d'allumage par allumette et chaîne	1	PC0156
Pièces non illustrées			
	Instructions de service	1	AV0119
	Pack matériel	1	AV0120

Adaptation pour gaz naturel

Précautions pour l'installation

Kit de conversion au gaz naturel (réf. 42306) vendu séparément et disponible auprès de votre revendeur local.

 WARNING	Ce gril est conçu pour une utilisation avec du gaz naturel à une pression d'alimentation équivalente à une colonne d'eau de 7 pouces (17,8 cm). Vérifier la pression d'alimentation auprès du fournisseur de gaz local. Si la pression d'alimentation ne correspond pas, contacter un plombier agréé pour obtenir de l'aide. Après l'adaptation de l'appareil à une alimentation au gaz naturel (GN), il convient de ne plus l'utiliser avec du gaz PL.
---	---

L'installation du gril doit être conforme aux réglementations locales ou, le cas échéant, aux **réglementations nationales relatives aux combustibles gazeux NFPA 54 / ANSI Z223.1**. Le gril n'est pas destiné à une utilisation sur ou dans des véhicules de loisir et/ou des bateaux.

Tous les accessoires électriques (tels que la rôtière vendue séparément) doivent être reliés à la terre conformément à la législation locale ou aux **réglementations nationales relatives aux installations électriques, ANSI/NFPA 70**. Tenir les câbles électriques et/ou tuyaux de combustible à l'écart des surfaces chaudes.

En matière de sécurité, ce gril est certifié pour une utilisation aux Etats-Unis et au Canada uniquement. Ne pas le modifier ou l'utiliser en d'autres endroits. Toute modification occasionne des risques de sécurité.

Raccords de gaz naturel et détendeurs de service supérieurs à 1/2 psi.

Avant 1998, tous les détendeurs de gaz de service destinés à un usage non professionnel étaient réglés sur une pression de sortie équivalente à une colonne d'eau de 7 pouces (17,8 cm).

Dans l'édition de 1998 de la réglementation NFPA54 nationale relative au gaz, une modification a été intégrée permettant l'utilisation de détendeurs de ligne de 2 à 5 psi.


Suite à cette modification, la mise en place d'un détendeur de conduite entre le détendeur de service et le détendeur de l'appareil est devenue obligatoire si un système de 2 ou 5 psi est utilisé. Ce détendeur supplémentaire n'est pas fourni avec le produit.


Un consommateur peut, s'il effectue le raccordement lui-même ou le fait réaliser par un plombier, se brancher par mégarde à une conduite de 2 ou 5 psi. Si le détendeur d'appareil est alimenté avec une pression de 2 psi ou plus, certains grils se coupent et n'alimentent plus les brûleurs en gaz. Une autre considération sont les raccords rapides et leurs tuyaux, qui ne sont typiquement dimensionnés que pour des pressions de 1/2 psi.

Si le raccord rapide, le tuyau et le gril sont correctement branchés et que le gaz n'arrive toujours pas, la pression d'alimentation doit être contrôlée. Si la pression est supérieure à 1/2 psi, s'assurer qu'un détendeur de conduite est installé.

En cas de surpression du gril, le régulateur peut être endommagé.

La meilleure pratique est de remplacer le détendeur.

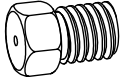
 WARNING	Un branchement erroné peut occasionner une fuite de gaz et éventuellement un incendie.
---	--

 WARNING	Pour une utilisation non professionnelle uniquement. Ne pas utiliser à des fins commerciales.
---	--

Adaptation pour gaz naturel

Liste des pièces détachées / diagramme

Kit de conversion au gaz naturel (réf. 42306) vendu séparément et disponible auprès de votre revendeur local.

	<p>Orifices de gaz naturel 7 pce</p>
	<p>Détendeur de gaz naturel 1 pce</p>
	<p>Extracteur de buse 1 pce</p>
	<p>Vis M4x8 2 pces</p>
	<p>Plaque d'identification 42304 NG 1 pce</p>

AVERTISSEMENTS & MISES EN GARDE :

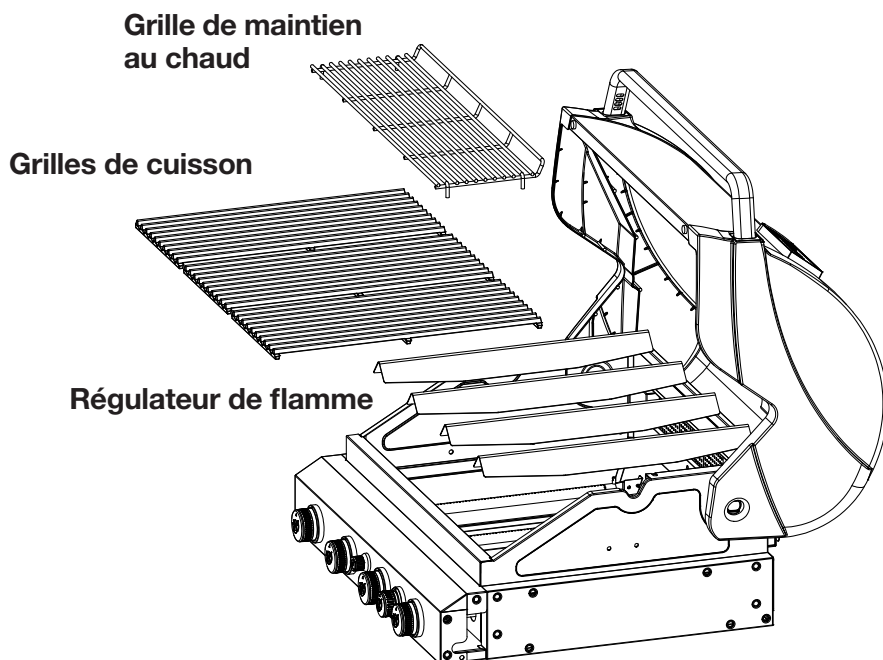


1. **Pour UTILISATION EN EXTÉRIEUR UNIQUEMENT.**
2. Couper l'alimentation en GN au niveau du tuyau lorsque l'appareil n'est pas utilisé.
3. Utiliser exclusivement le régulateur de pression du gaz fourni avec cet appareil.
4. Ce régulateur est défini pour une pression de sortie de 4" de colonne d'eau.
5. Si les consignes ci-dessus ne sont pas respectées à la lettre, un incendie provoquant la mort ou des blessures graves peut se déclarer.
6. Dégagement minimal entre les côtés et l'arrière de l'unité et la construction combustible : 24 pouces (609 mm) pour les côtés et 24 pouces (609 mm) pour l'arrière.

Adaptation pour gaz naturel

Étape 1

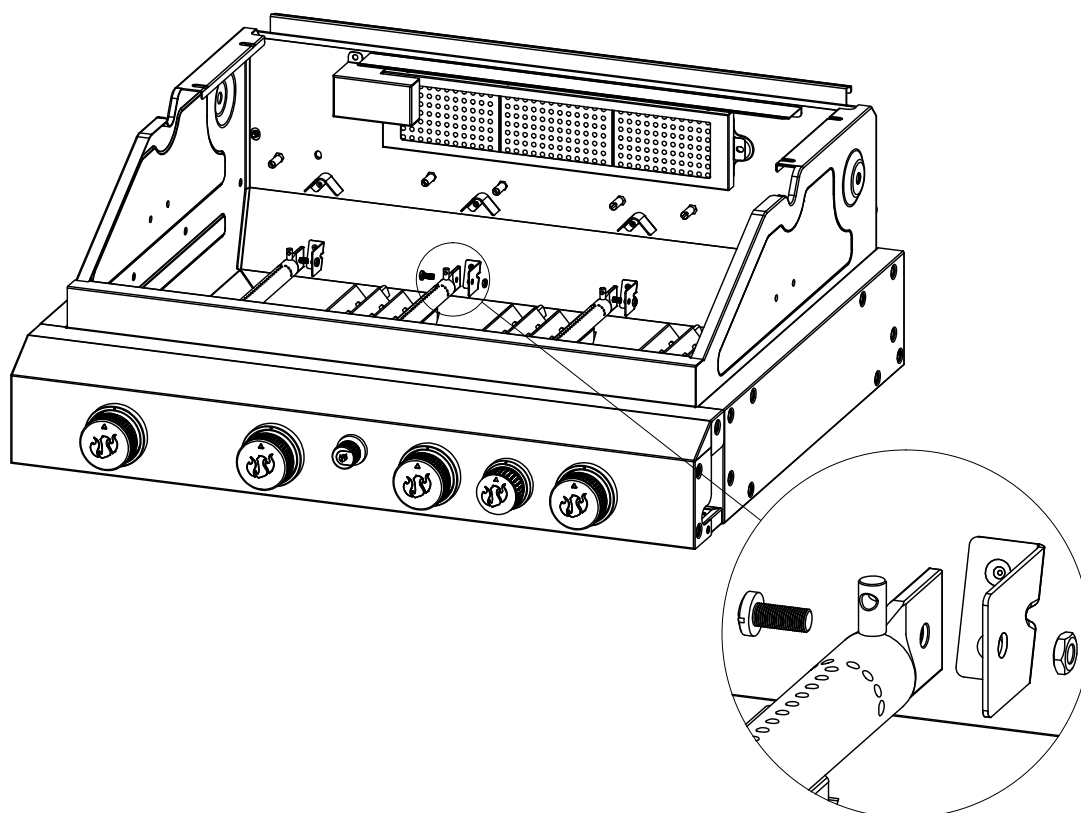
- S'assurer d'abord que tous les boutons de commande sont positionnés sur OFF, que la vanne de la bouteille de PL est fermée et que le tuyau de gaz est débranché du détendeur et retirée du gril.
- Ouvrir ensuite le couvercle et retirer la grille de maintien au chaud, les grilles de cuisson et les régulateurs de flammes.



Étape 2

- Utiliser un tournevis cruciforme et une clé pour retirer les vis et écrous des brûleurs. Extraire les brûleurs des buses de valves de gaz.

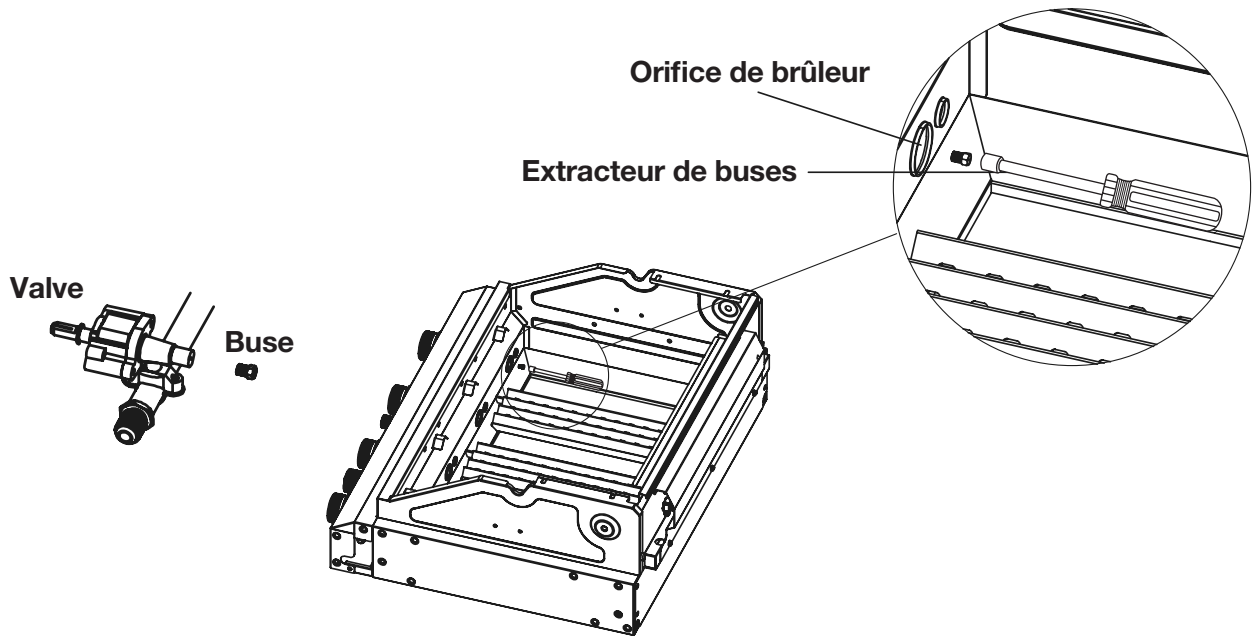
Remarque : les brûleurs peuvent rester dans le foyer sans en débrancher les câbles d'allumages.



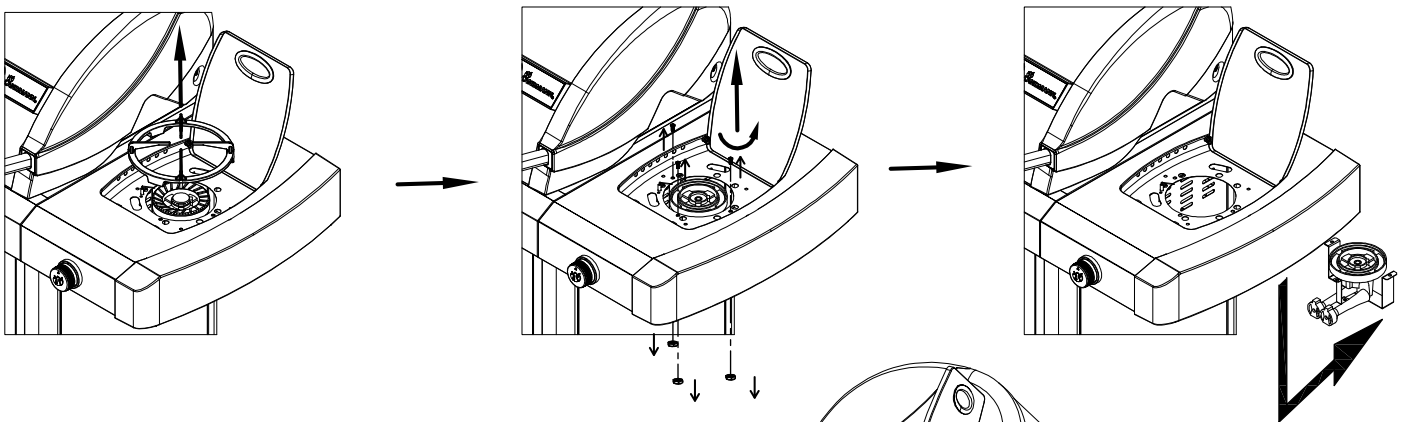
Adaptation pour gaz naturel

Étape 3

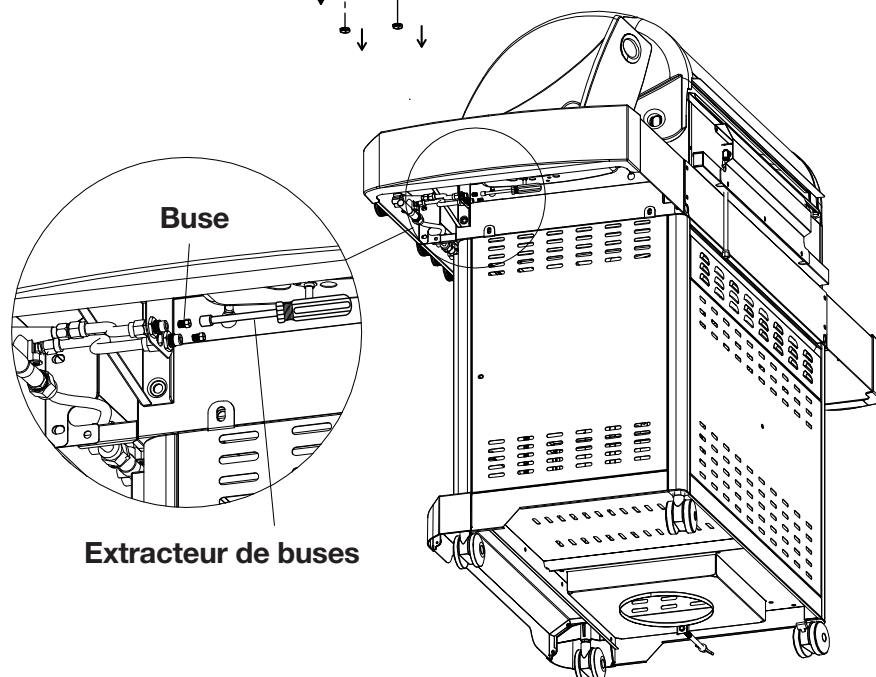
- Insérer l'extracteur de buse dans l'orifice de brûleur du foyer et dévisser les buses du brûleur principal des extrémités des valves. Conserver les buses extraites pour une utilisation ultérieure lors d'une reconfiguration pour le gaz PL. Utiliser le tableau de référence des orifices de brûleur en bas de la page 96 pour installer les orifices GN appropriés dans chaque brûleur au moyen de l'outil d'extraction d'orifice.



Étape 4

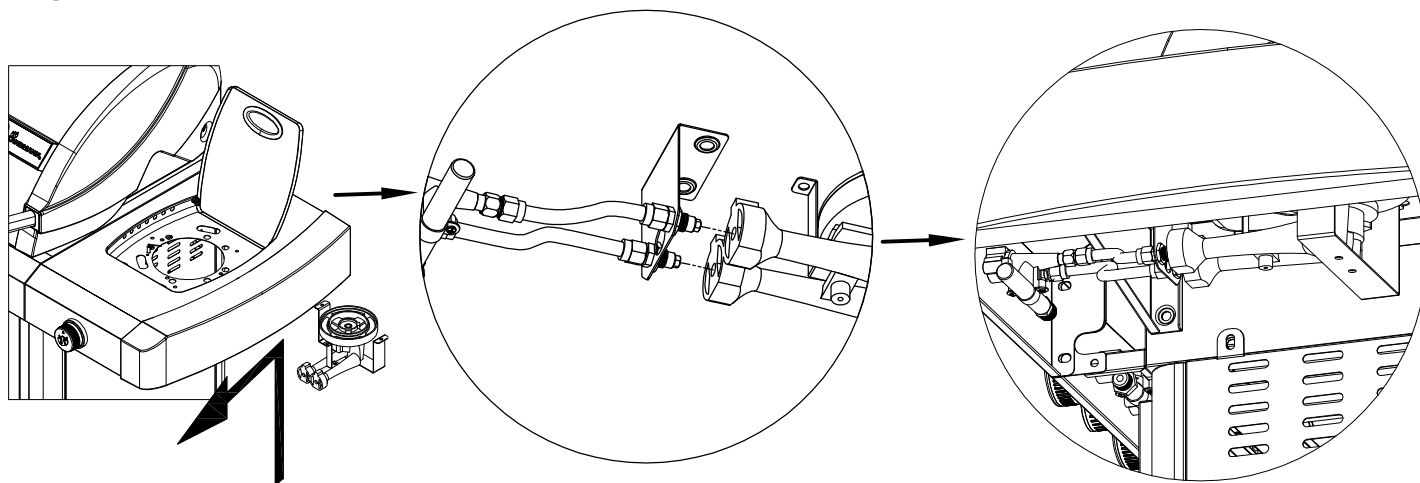


Étape 5



Adaptation pour gaz naturel

Étape 6



Étape 7

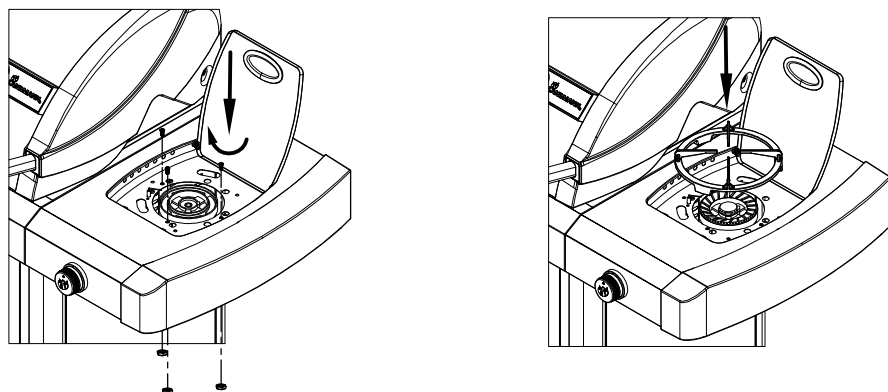
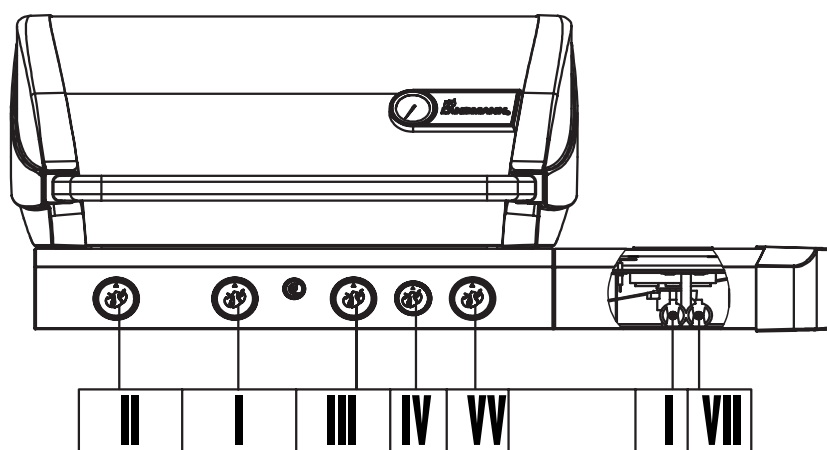


Diagramme de références des buses de brûleurs



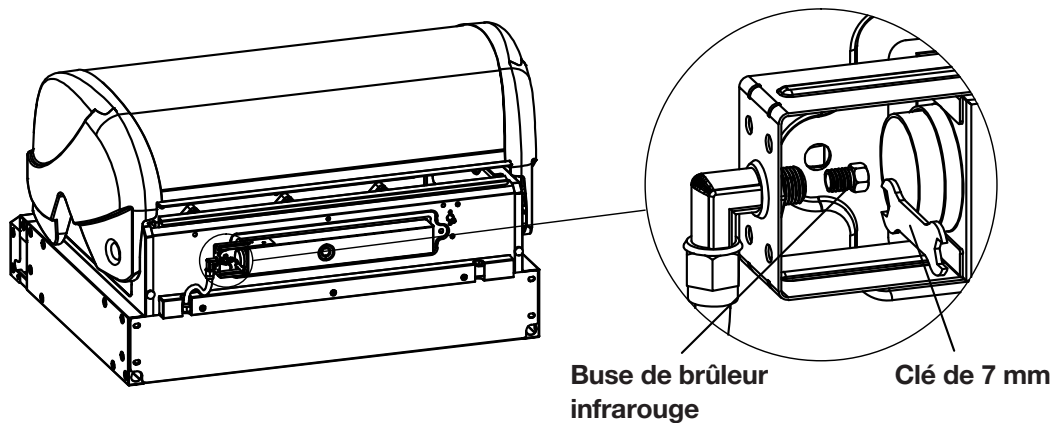
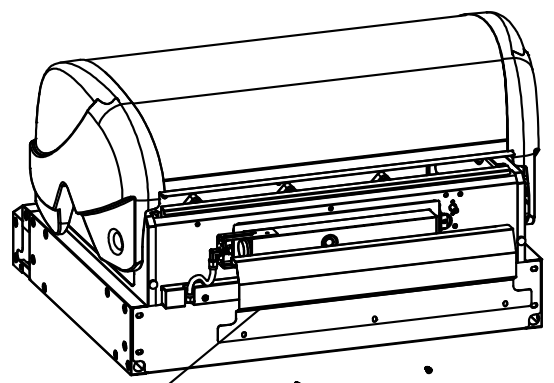
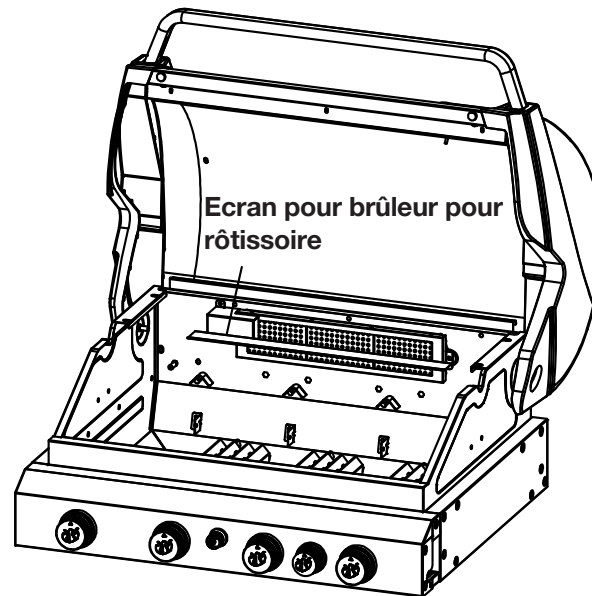
Modèle	N° de brûleur	I	II	III	IV	V	VI	VII
42301	Taille de buse (PL) (mm)	Ø 0,93	Ø 0,89	Ø 0,89	Ø 1,02	Ø 0,93	Ø 1,12	Ø 0,69
42304	Taille de buse (GN) (mm)	Ø 1,49	Ø 1,41	Ø 1,41	Ø 1,75	Ø 1,49	Ø 2,15	Ø 1,15

Les tailles des orifices sont estampillées sur l'extrémité des orifices.

Adaptation pour gaz naturel

Étape 8

- Utiliser un tournevis cruciforme pour retirer l'écran pour brûleur pour rôtisserie et le couvercle du brûleur pour rôtisserie
- Retirer la buse de brûleur infrarouge avec une clé de 7 mm
- Installer une buse pour gaz naturel
- Installer le couvercle du brûleur pour rôtissoire. Ne pas réinstaller l'écran pour brûleur de rôtisserie

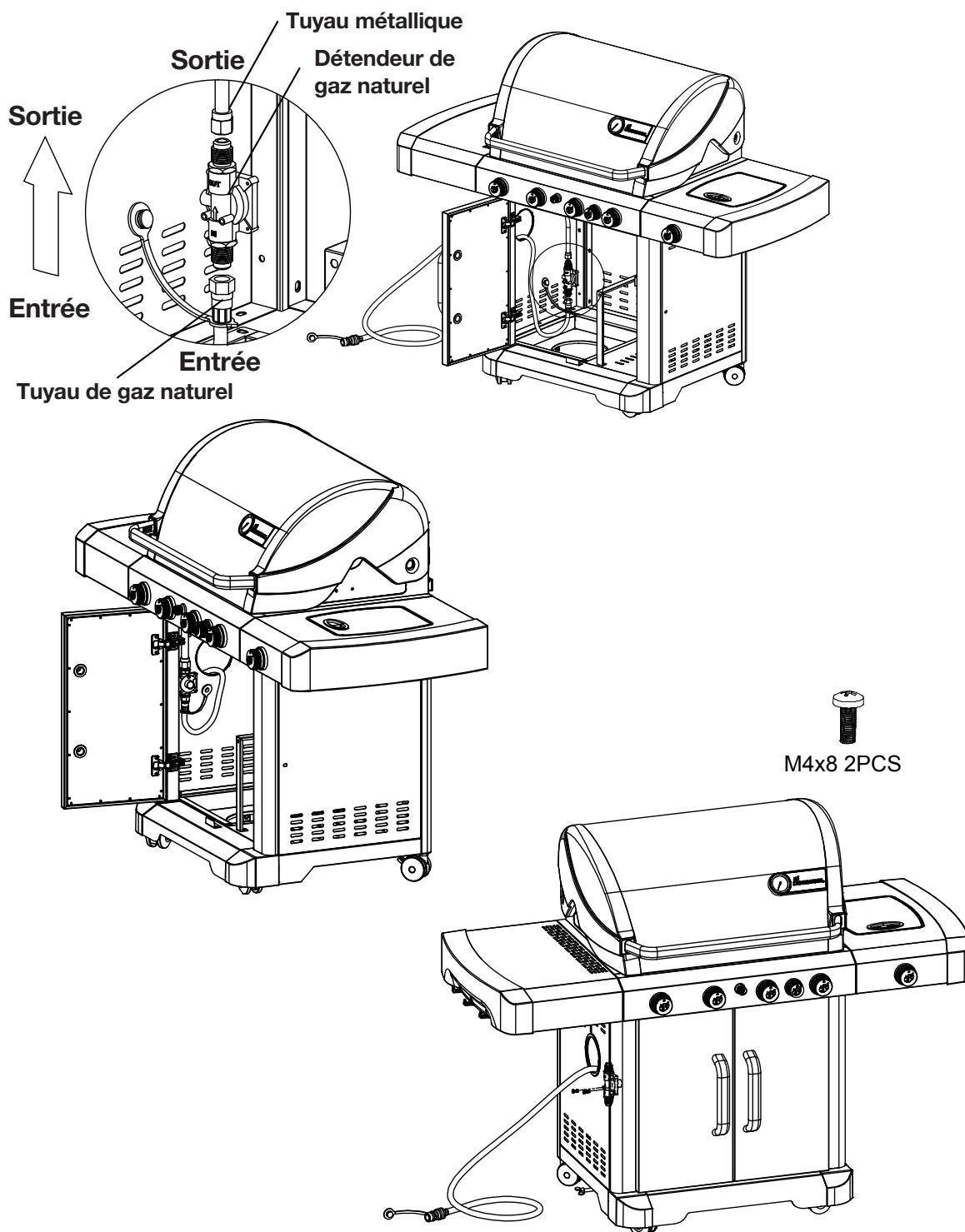


Adaptation pour gaz naturel

Étape 9

- Retirer le flexible & le régulateur de PL et le connecteur du tuyau en métal.
- Brancher le détendeur de gaz naturel au tuyau métallique
- Brancher le tuyau de gaz naturel au détendeur de gaz naturel
- Fixer le détendeur de gaz naturel
- Fixer le détendeur de gaz naturel au panneau gauche du chariot à l'aide de deux vis M4x8

S'assurer que les orifices « Entrée » et « Sortie » du détendeur de gaz naturel sont orientés correctement.



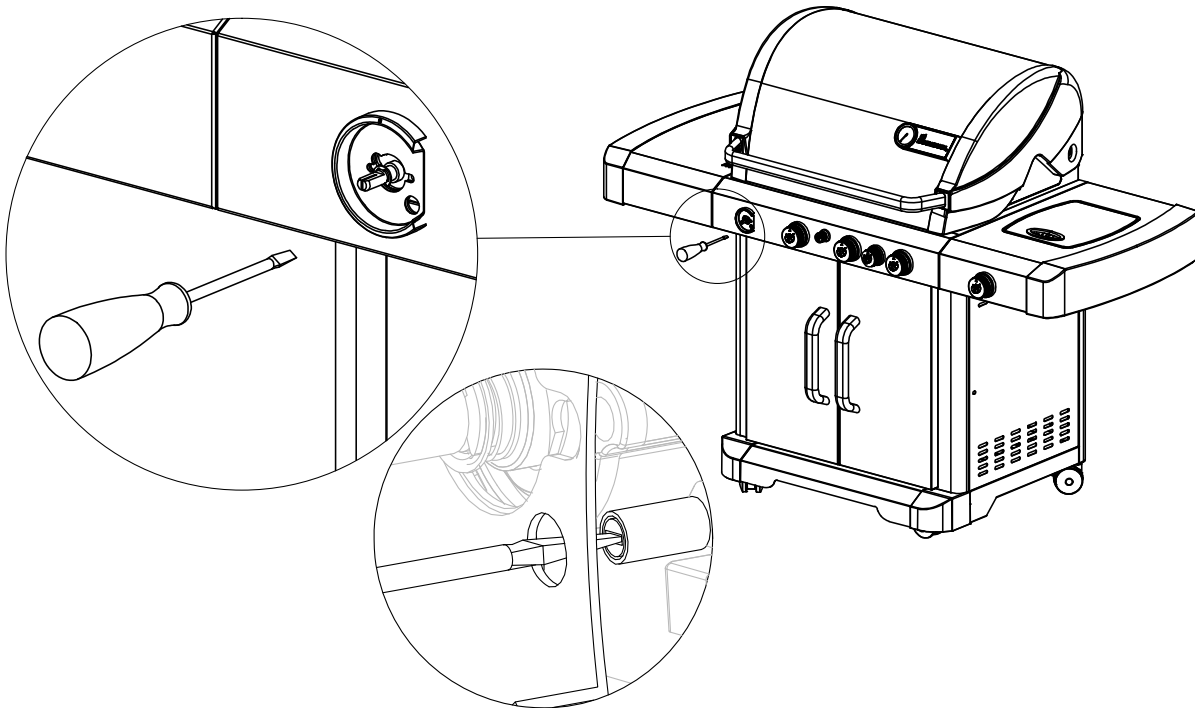
Adaptation pour gaz naturel

Étape 10

Reconfigurer les valves pour le gaz naturel :

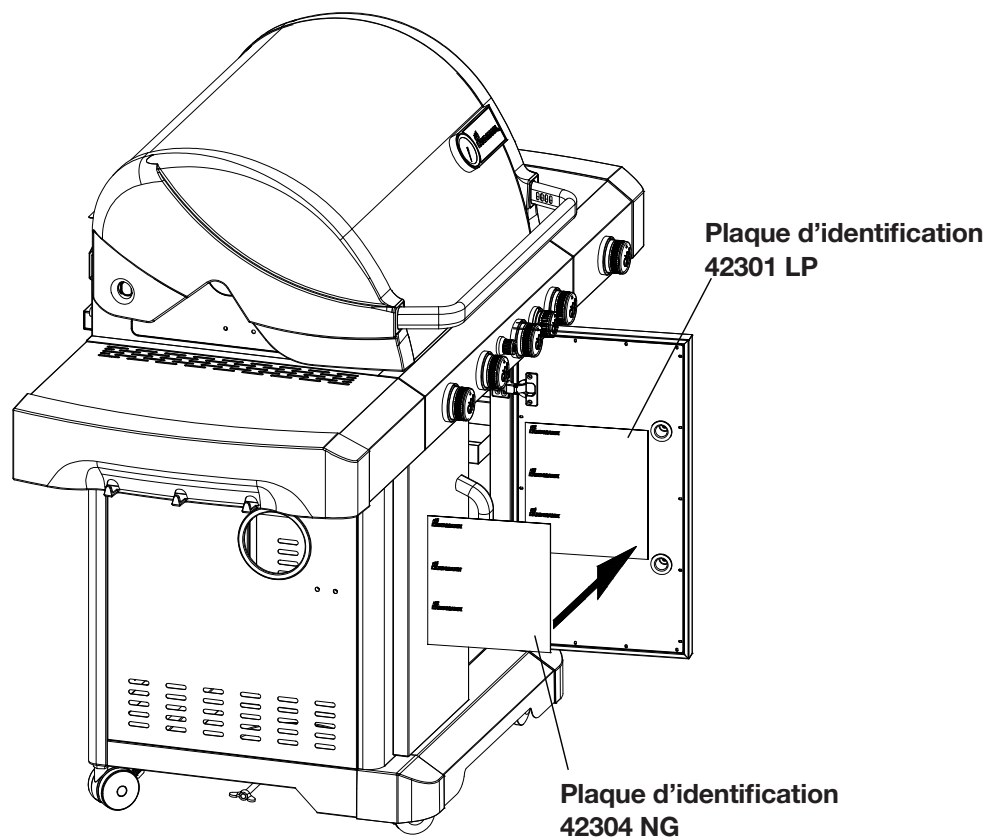
- Retirer les boutons de commande.
- A l'aide d'un petit tournevis plat, tourner les vis de débit minimal dans le sens antihoraire jusqu'à la butée.
- Remettre en place les boutons de commande.

Remarque : Le réglage de la vis de débit minimum pour le gaz naturel est tournée dans le sens antihoraire jusqu'à la butée. Pour le PL, elle doit être tournée jusqu'à la butée dans le sens horaire.



Étape 11

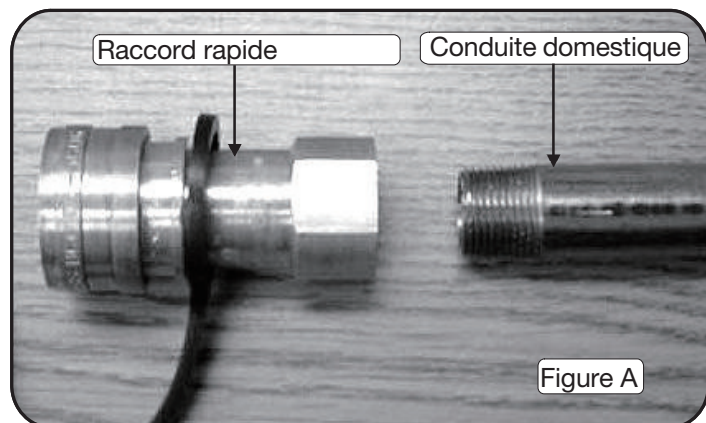
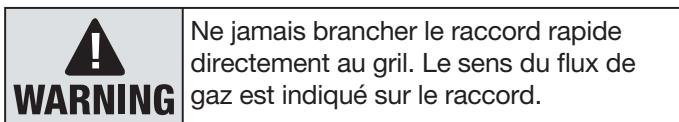
Mettre en place la plaque signalétique GN



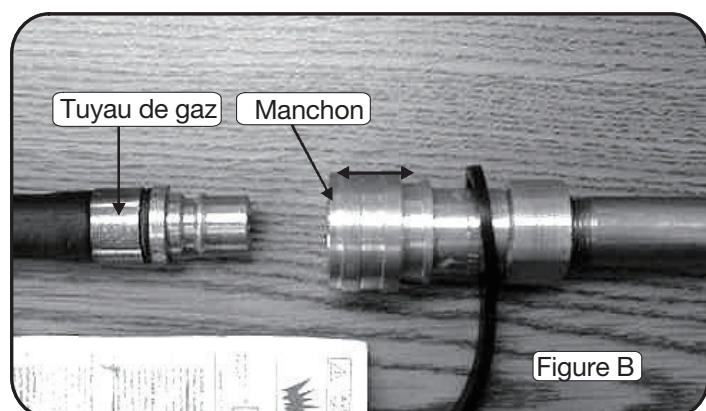
Branchement du gril à la source de gaz naturel

Le tuyau de gaz naturel et le raccord rapide ne sont pas fournis avec ce produit, mais sont disponibles en tant qu'accessoires auprès de votre revendeur local.

1. Nous recommandons de faire installer par un professionnel une vanne d'arrêt entre les conduites d'alimentation et le raccord, bien que cela ne soit pas obligatoire au titre des réglementations nationales relatives aux appareils à gaz. Le branchement au raccord doit toujours se trouver à l'extérieur du bâtiment.
2. Entourer le raccord mâle de l'alimentation de gaz avec un joint de conduite résistant au gaz ou avec du ruban Téflon. Visser le raccord sur le conduit d'alimentation de gaz (alimentation de gaz domestique) indiqué dans la **Figure A** ci-dessous, puis le serrer avec une clé.

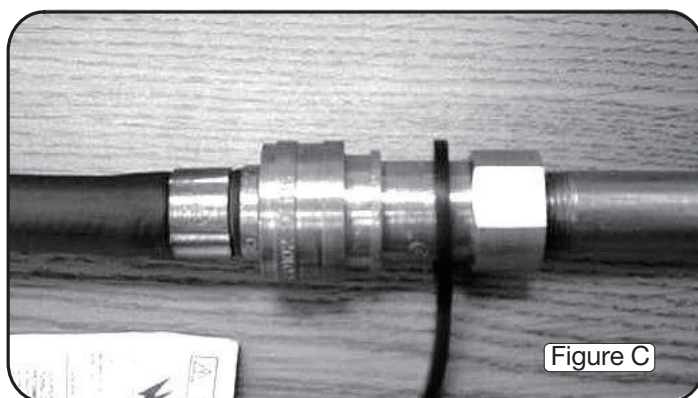


3. Retirer le manchon du raccord rapide et insérer l'extrémité libre du tuyau de gaz dans le raccord. Relâcher le manchon et continuer de pousser le tuyau dans le raccord jusqu'à ce que le manchon s'enclenche sur sa position de verrouillage. Voir la **Figure B**.



4. Lorsque le raccord rapide et le tuyau de gaz sont branchés, une valve dans le raccord s'ouvre automatiquement pour permettre le passage du gaz. Lorsque le tuyau de gaz est débranché, la valve dans le raccord se ferme immédiatement et coupe l'arrivée du gaz.

Comme la valve dans le raccord coupe le débit de gaz, le gril peut être débranché dans l'alimentation de gaz en débranchant le tuyau de gaz du raccord rapide. Le raccord doit rester fixé à l'alimentation de gaz (conduite domestique). La Figure C ci-dessous montre le branchement correct du tuyau et du raccord.



Lorsque le montage est correct, le tuyau de gaz ne peut pas être retiré sans repousser le manchon du raccord rapide. Pour débrancher, repousser le manchon et extraire le raccord mâle du raccord femelle (cela coupe automatiquement l'alimentation de gaz).

Attention : uniquement les tuyaux et sous-ensembles homologués C.S.A. pour le gaz naturel, le gaz de production, le gaz mélangé et pour le pétrole liquéfié et les mélanges gaz air à base de PL avec une gravité spécifique de 0,64 pour 1000 BTU par pied cube de gaz à une chute de pression équivalent à 0,3 pouce de colonne d'eau. Seuls des tuyaux homologués ANSI Z21.54 sont à utiliser avec ce gril.

L'appareil et sa vanne d'arrêt individuelle doivent être débranchés du système de conduite d'alimentation de gaz lors des essais de pression sur ce système dès lors que les pressions d'essai sont supérieures à 1/2 psi (3,5 kPa).

L'appareil doit être isolé du système de conduites d'alimentation de gaz en fermant sa vanne d'arrêt individuelle lors des essais de pression sur le système de conduites de gaz dès que la pression d'essai est égale ou inférieure à 1/2 psi (3,5 kPa).

Branchement du gril à la source de gaz naturel



Ne pas utiliser des conduites en métal dur de tous type pour brancher ce type de gril à une alimentation de gaz naturel. Utiliser uniquement des tuyaux spécifiés par le fabricant. Utiliser des conduites en métal dur ou des tuyaux entourés d'une spirale métallique fait partie des mauvaises pratiques. Les mouvements du gril peuvent occasionner la rupture de la conduite métallique.

5. Contrôle des fuites

- a. Préparer une solution pour fuites de 2 à 3 onces en mélangeant une dose de liquide vaisselle avec trois doses d'eau.
- b. S'assurer que les boutons de commande son en position OFF (arrêt).
- c. Pulvériser un peu de solution sur tous les raccords, branchements de conduites et détendeurs.
- d. Inspecter si la solution fait des bulles sur les raccords. Si aucune bulle n'apparaît, le raccord est sûr.
- e. Si des bulles apparaissent, une fuite est présente. Aller à l'étape f.
- f. Débrancher les raccords lorsque des bulles apparaissent, puis rebrancher.
- g. Répéter le test avec la solution.
- h. Si les bulles augmentent, ne plus utiliser. Contacter un fournisseur de gaz ou les services de lutte anti-incendie !

Garantie

Ce gril au gaz propane est garanti exempt de défauts de matériaux et de fabrication s'il est assemblé correctement, utilisé dans un environnement domestique normal et entretenu comme indiqué dans ces instructions pour les durées suivantes, à compter de la date de l'achat au détail d'origine :

A vie - panneaux en acier inox et couvercle

10 ans - brûleurs principaux, grille de foyer, hentes de chaleur et grilles de cuisson

2 ans - toutes les autres pièces

Cette garantie ne couvre pas les dommages dus à la corrosion, la décoloration, l'écaillage ou les problèmes liés à la négligence, une utilisation abusive, un accident, une utilisation incorrecte, une application non conforme, un montage incorrect, des dommages de transport, une utilisation commerciale ou **TOUTE** modification apportée à ce produit.

Les coûts de main d'œuvre pour la réparation ne sont pas couverts. Cette garantie est la seule garantie offerte et remplace toutes les autres garanties, implicites ou explicites, ce qui inclut la garantie tacite, le merchandising ou l'utilisation à une fin particulière.

Toutes les pièces de rechange qui satisfont les exigences de garantie seront expédiées sans frais à la discrétion du fabricant (expéditions par voie terrestre, US Mail, UPS ou FedEx). Les frais de traitement spéciaux (par ex. le lendemain ou surlendemain) seront à la charge du client.

Toutes les réclamations en garantie s'appliquent uniquement à l'acheteur original et requièrent une preuve de l'achat certifiant la date d'achat. Ne pas renvoyer de pièces sans avoir au préalable obtenu un numéro d'autorisation de retour de notre service après-vente.

Notre service après-vente peut être contacté au : 1-800-321-3473 de 8h00 à 17h00 (EST) (anglais uniquement), ou par courriel à : CustomerService@landmann-usa.com

Noter que pour les États-Unis, certains états n'autorisent pas l'exclusion ou la limitation des dommages accidentels ou consécutifs ou des limitations de la durée d'une garantie tacite, les limitations ou exclusions susmentionnées ne s'appliquent donc pas dans ce cas. Cette garantie vous confère des droits légaux spécifiques, et vous pouvez également disposer d'autres droits légaux qui peuvent varier d'un état à l'autre.



Landmann USA, Inc.

7405 Graham Rd

Fairburn, Ga 302130

www.landmann-usa.com

ⓔ **EN Assembly Instruction 1**

ⓕ **FR Instructions de montage 52**

ⓔ **ES Instrucciones de uso y de montaje 103**



Este aparato sólo debe utilizarse en exteriores.

Este aparato no está diseñado para uso comercial.



Intertek
5010242

MODELO
42301 (LP)/ 42304 (NG)

**LEER DETENIDAMENTE LAS INSTRUCCIONES DE MONTAJE,
MANTENIMIENTO Y USO**

**IMPORTANTE:
GUARDE ESTAS INSTRUCCIONES PARA CONSULTAS FUTURAS**

¿Preguntas, problemas, piezas que faltan? Antes de volver a la tienda, llame a nuestro servicio de atención al cliente: 1-800-321-3473 de 8:00 a 17:00 h, sólo en inglés, o envíe un e-mail a CustomerService@landmann-usa.com

Índice general

Información importante de seguridad.....	105-106	Uso del quemador de asado	135
Información de seguridad sobre propano líquido (LP)	107	Cuidados y mantenimiento	136-137
Contenido del embalaje	108-109	Métodos de cocción y consejos para asar a la parrilla	138
Preparación.....	110	Solución de problemas	139
Contenido de hardware	110	Piezas de repuesto	140-142
Herramientas requeridas.....	110	Conversión de gas natural	143-150
Instrucciones de montaje.....	111-132	Conexión del grill a la fuente de gas natural.....	151-152
Conexión de la bombona de gas.....	133	Garantía	153
Instrucciones de encendido del quemador principal	134		

Montador/instalador

El manual de instrucciones contiene información importante necesaria para el montaje correcto y el uso seguro del aparato. Lea y siga todas las advertencias e instrucciones antes de montar y utilizar el aparato.

Entregue estas instrucciones al consumidor.

Consumidor/usuario

Siga todas las advertencias e instrucciones al utilizar el aparato.

Guarde estas instrucciones para consultas futuras.



DANGER

Si huele a gas:

1. Corte el gas del aparato.
2. Apague cualquier llama abierta.
3. Abra la tapa.
4. Si el olor persiste, manténgase alejado del aparato y llame inmediatamente a su compañía de gas o a los bomberos.
5. El incumplimiento de esta advertencia de peligro podría provocar incendios, explosiones o quemaduras que podrían causar daños materiales, lesiones personales o incluso la muerte.



WARNING

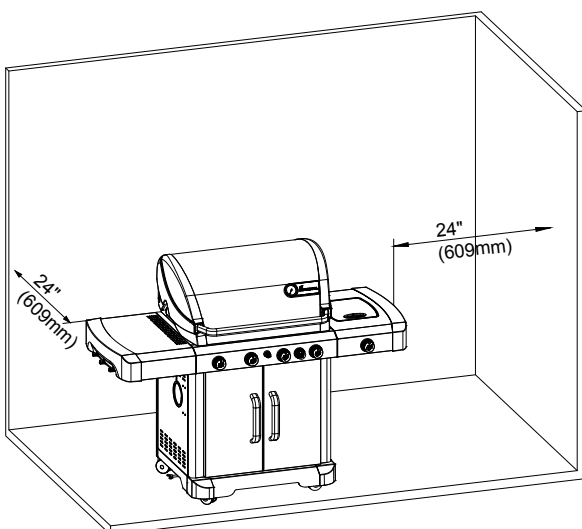
1. **NO** guarde ni utilice gasolina u otros líquidos o vapores inflamables cerca de éste o cualquier otro aparato.
2. Una bombona de gas LP (propano líquido) que no esté conectada para ser usada no debe guardarse cerca de éste ni de cualquier otro aparato.
3. Esta parrilla sólo **DEBE USARSE EN EXTERIORES** y no dentro de un edificio, garaje, bajo voladizos o cualquier otra área cerrada.
4. **NO** deje la parrilla sin vigilancia. Mantenga la parrilla fuera del alcance de los niños en todo momento.
5. **Este aparato está destinado solo a uso doméstico. Este aparato no está diseñado para uso comercial.**

Información importante de seguridad



Las advertencias y precauciones incluidas en este manual de instrucciones pueden causar graves lesiones personales o incluso la muerte, también pueden causar incendios o explosión causando daños materiales.

- Siga detenidamente todas las instrucciones de montaje. Un montaje incorrecto de la parrilla puede resultar peligroso.
- No use **NUNCA** carbón de leña, líquido encendedor, gasolina, queroseno o alcohol para encender esta parrilla.
- No coloque **NUNCA** más de 5 kg de material sobre la mesa lateral. **NO SE APOYE** en el grill
- No use **NUNCA** briquetas de carbón o líquido encendedor en una parrilla de gas. **NO** mueva la parrilla mientras esté encendida.
- Cuando encienda la parrilla o cocine, **NO** se incline sobre la parrilla abierta.
- Abra siempre la tapa de la parrilla lentamente y con cuidado, ya que el calor atrapado dentro de la parrilla puede causar quemaduras graves.
- **NO** coloque las manos o los dedos en el borde del fogón y la tapa cuando la tapa esté abierta o la parrilla esté caliente.
- Mantenga la parrilla fuera del alcance de los niños cuando la esté usando. Las partes expuestas pueden estar muy calientes.
- **NO** intente desconectar el conjunto de regulador de gas y manguera o cualquier accesorio de gas mientras la parrilla esté funcionando.
- Esta parrilla **NO DEBE** colocarse debajo de ninguna estructura combustible sin protección. Deje siempre por lo menos 24" de espacio con respecto a la parte superior, inferior y trasera y 24" a los lados de la parrilla (ver abajo).



- Esta parrilla es un aparato para exteriores y **NO DEBERÍA** usarse en un edificio, garaje o cualquier otra área cerrada.

- **NO** obstruya el flujo de aire de combustión y ventilación. Mantenga las aberturas de ventilación del recipiente de la bombona libres y sin residuos.
- Si los quemadores se apagan mientras la parrilla está en funcionamiento, apague todas las válvulas de gas. Abra la tapa y espere cinco minutos antes de volver a encender la parrilla, usando las instrucciones de encendido.
- Mantenga esta parrilla limpia y libre de materiales combustibles, gasolina y otros vapores y líquidos inflamables.
- **NUNCA** guarde una bombona de propano líquido extra o desconectada debajo o cerca de esta parrilla.
- Utilice siempre manoplas o guantes de barbacoa resistentes al calor cuando utilice la parrilla.
- **NO** deje una parrilla caliente sin supervisión ni la mueva cuando esté funcionando.
- Esta parrilla no está diseñada para usarse o instalarse en vehículos recreativos, botes, remolques portátiles o en cualquier lugar en movimiento.
- **NO** coloque una cubierta ni nada inflamable en la parrilla mientras esté en funcionamiento o caliente.
- Un aparato de gas de cocina para exteriores sólo puede guardarse en interiores si se desconecta la bombona y se retira del aparato de gas de cocción para exteriores.
- Cuando la parrilla no esté en uso, asegúrese de que el gas esté apagado (**OFF**) en la bombona de suministro.
- Las bombonas deben guardarse en el exterior y fuera del alcance de los niños. La bombona no debe guardarse en un edificio, garaje o áreas cerradas.
- Inspeccione siempre la manguera de suministro de gas antes de cada uso. Si la manguera muestra signos de abrasión o cortes, **NO** use la parrilla. Sustituya la manguera antes de usar el grill de nuevo.
- Revise siempre los quemadores y tubos de Venturi en busca de insectos y nidos de insectos. Un tubo obstruido puede provocar un incendio debajo de la parrilla.
- Compruebe siempre que no haya fugas en las conexiones cada vez que conecte y desconecte la bombona de suministro de gas LP.



Se debe utilizar el regulador de presión y la conexión de manguera suministrada con esta parrilla. Cualquier pedido de conjunto de regulador y manguera de repuesto debe hacerse a través del fabricante, LANDMANN-USA.


Información importante de seguridad

- **NO** agrande los orificios de las válvulas ni los orificios del quemador cuando limpie las válvulas o los quemadores.
- Si usted ve, huele u oye silbidos de gas saliendo de la bombona de gas LP, aléjese de la misma. **NO** intente corregir el problema usted mismo y llame a los bomberos.
- Si se produce un fuego por grasa, apague (**OFF**) el quemador y deje la tapa cerrada hasta que se apague el fuego.
- **NO** altere esta parrilla de ninguna manera. Cualquier alteración anula automáticamente la garantía.
- **NO** use la parrilla en caso de que haga mucho viento.

La bombona de suministro de gas LP que se vaya a utilizar debe estar construida y marcada de acuerdo con la normativa para bombonas de gas LP de EE. UU.


Departamento de Transporte (DOT) o la Norma Nacional de Canadá, CAN/CSA-b339 (Bombonas, Esferas y Tubos para el transporte de Mercancías Peligrosas).


Advertencias de la Propuesta 65 del Estado de California

 WARNING	<p>Este producto contiene sustancias químicas conocidas en el Estado de California por ser cancerígenas y causar defectos congénitos u otros daños reproductivos.</p>
---	---

Para evitar la posibilidad de que vuelque la parrilla, **NUNCA** coloque más de 10 kg sobre la mesa lateral.

No deje **NUNCA** sin supervisión la comida que se esté cocinando sobre la parrilla. La observación continua de los alimentos ayudará a mantener una temperatura uniforme, conservar el combustible, mejorar el sabor de los alimentos y evitar que se reaviven las llamas.

 DANGER	<p>Si no se observan las instrucciones siguientes puede producirse un incendio que cause la muerte o lesiones graves:</p> <p>No guarde ni use NUNCA gasolina u otras sustancias inflamables cerca de esta parrilla. No guarde NUNCA la bombona de gas de repuesto cerca de esta parrilla o de cualquier otra posible fuente de calor.</p>
--	--

 WARNING	<p>NO guarde una bombona de gas LP de repuesto debajo o cerca del aparato.</p> <p>Coloque la tapa antipolvo en la salida de la válvula de la bombona siempre que la bombona no esté en uso. Instale sólo el tipo de tapa antipolvo en la salida de la válvula de la bombona que se suministra con dicha válvula. El uso de otro tipo de tapas o tapones puede ocasionar fugas de propano.</p>
---	--

Información de seguridad sobre propano líquido (LP)

Revise las siguientes directivas e información de seguridad cuando utilice gas propano líquido (LP).

Información general

- Este grill está diseñado para funcionar con una bombona de gas propano de 20 lb.
- Puede utilizar cualquier bombona de gas propano de 20 lb con este grill, siempre que sea compatible con los dispositivos de retención (tornillo de fijación de la bandeja).
- Este grill está diseñado con certificación de ETL internacional para abastecimiento de gas propano local.

Instrucciones de seguridad

- El gas LP tiene un olor similar al del gas natural.
- El gas LP es más pesado que el aire y el gas que gotea puede acumularse en áreas bajas y resistir la dispersión.
- Las bombonas de gas LP no deben dejarse caer o manipularse bruscamente.
- NO use bombonas de gas LP defectuosas. Una bombona de gas LP abollada u oxidada o una bombona de gas LP con una válvula dañada puede ser peligrosa y debe ser reemplazada por una nueva inmediatamente.
- Cierre **SIEMPRE** la válvula de la bombona después de su uso.
- Cierre **SIEMPRE** la válvula de la bombona al desconectar el regulador.
- Trate **SIEMPRE** las bombonas de gas supuestamente LP vacías con el mismo cuidado que las bombonas llenas. Todavía puede haber presión de gas dentro de una bombona de gas supuestamente vacía.
- No guarde ni transporte **NUNCA** una bombona de gas LP si la temperatura puede alcanzar los 125° F (52° C).
- Mantenga las bombonas de gas LP fuera del alcance de niños y mascotas.
- **NO** guarde bombonas de gas LP desconectadas en un edificio, garaje u otras áreas cerradas.
- Si la bombona de gas LP se mantiene dentro del grill cuando no se use, asegúrese de mantener tanto la parrilla como la bombona en un área al aire libre con buena ventilación.
- Compruebe **SIEMPRE** que la conexión entre la bombona de gas y el regulador no presente fugas cada vez que cambie la bombona de gas LP.

Instalación de la bombona de gas propano

1. Asegúrese de que todos los mandos de quemadores están en **OFF**.
2. Abra la puerta del armario inferior.
3. Coloque con cuidado la bombona en el orificio grande del panel inferior..
4. Para asegurar la bombona de gas propano, apriete el tornillo de fijación de la bandeja a través de la sección inferior de la bombona.
5. Fije el regulador a la bombona solo con **APRIETE MANUAL**.
6. No utilice **NUNCA** una llave inglesa u otra herramienta para apretar esta conexión.
7. Cumpla todas las normativas y leyes locales.

Importante

La instalación de aparatos de gas LP en Estados Unidos debe cumplir los códigos y reglamentos locales. En ausencia de códigos locales, la instalación del aparato debe cumplir el Código Nacional de Gas de Combustible, ANSI Z223.1/ NFPA54, el Código de Aparatos de Gas Natural y Propano, CSA B149.1, o el Código de Almacenamiento y Manipulación de Propano, B149.2, según corresponda.

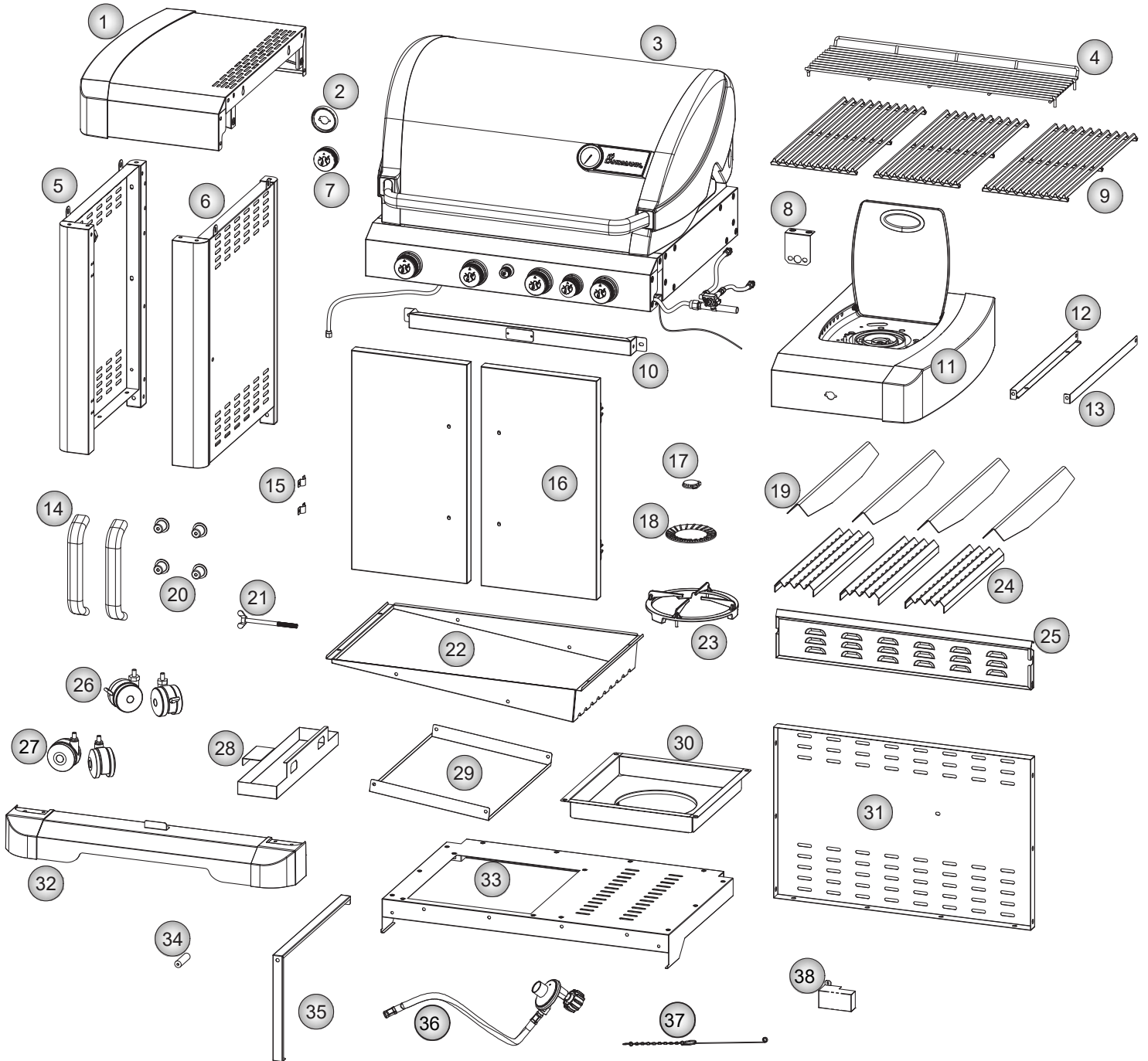
Para Canadá, la instalación de esta parrilla debe cumplir los códigos locales y/o la Norma CSA B149.2 (Código de Almacenamiento y Manipulación de Propano).

Compruebe siempre la placa de características conforme el aparato está configurado para el tipo de gas adecuado al que lo está conectando. Un grill de gas natural requiere gas natural para funcionar, y un grill de gas propano necesita propano líquido para funcionar.

Contenido del embalaje

Pieza	Descripción	Cantidad
1	Bandeja lateral izquierda	1
2	Base de mandos para quemadores principales/laterales	1
3	Conjunto de fogones y tapa	1
4	Parrilla de conservación de calor	1
5	Panel izquierdo del carro	1
6	Panel derecho del carro	1
7	Mandos para quemadores principales/laterales	1
8	Soporte de boquillas para quemador lateral	1
9	Parrilla de cocción	3
10	Travesaño	1
11	Bandeja lateral derecha	1
12	Raíl izquierdo de bandeja recogegrasas	1
13	Raíl derecho de bandeja recogegrasas	1
14	Asa de puerta	2
15	Brida de manguera	2
16	Conjunto de puertas	2
17	Disco pequeño del quemador lateral	1
18	Disco grande del quemador lateral	1
19	Atenuador de llama	4
20	Manguito de plástico para manilla de puerta	4
21	Tornillo de fijación de bombona	1
22	Guía de grasas	1
23	Hierros del quemador lateral	1
24	Escudo térmico inferior	3
25	Panel posterior superior del carro	1
26	Rueda con freno	2
27	Rueda sin freno	2
28	Bandeja recogegrasas	1
29	Escudo térmico para guía de grasas	1
30	Bandeja de bombona de gas	1
31	Panel posterior inferior del carro	1
32	Embellecedor del carro	1
33	Bandeja inferior	1
34	Pila AA	1
35	Barra para soportar segunda bombona	1
36	Manguera y regulador para propano	1
37	Herramienta y cadena de encendedor	1
38	Cubierta del electrodo del asador de infrarrojos	1

Contenido del embalaje



Preparación

Antes de comenzar el montaje de esta parrilla, retire todo el material de embalaje y verifique que todas las piezas estén incluidas (consulte el Contenido del embalaje en las página 6). Si falta alguna pieza o está dañada, **NO** intente montar el producto.

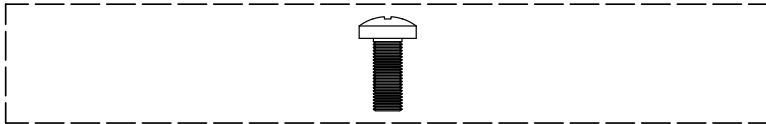
Tiempo estimado de montaje: unos 60 minutos con dos personas.

Herramientas necesarias: Destornillador de estrella y llave inglesa.

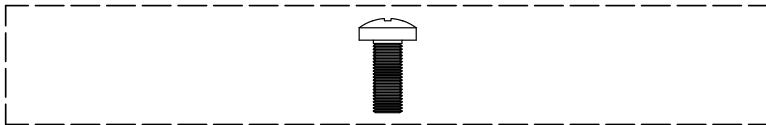
Contenido de hardware



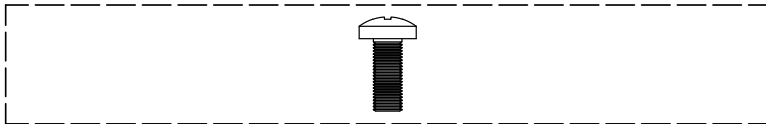
Avalon PTS+ 5.1 +



B M6X15 25X



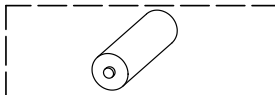
B M6X15 25X



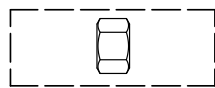
B M6X15 24X



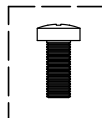
G M4X12 16X



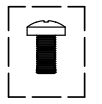
CU AA 1X



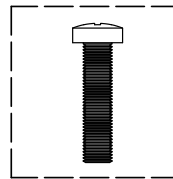
E M6 8X



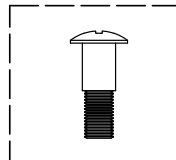
A M5X12 2X



F M4X8 2X

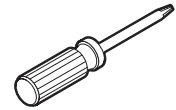


C M6X25 4X

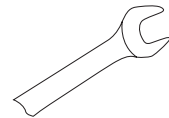


D M6X20 4X

Herramientas requeridas



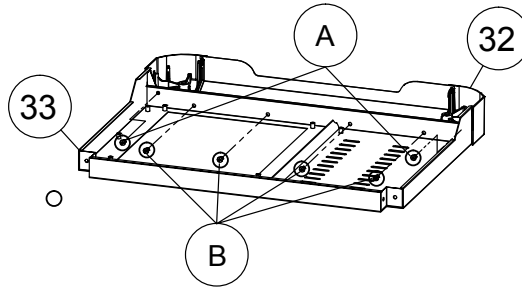
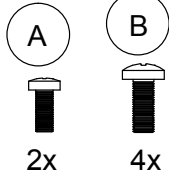
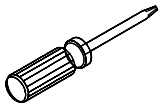
Destornillador Phillips de 2 puntas



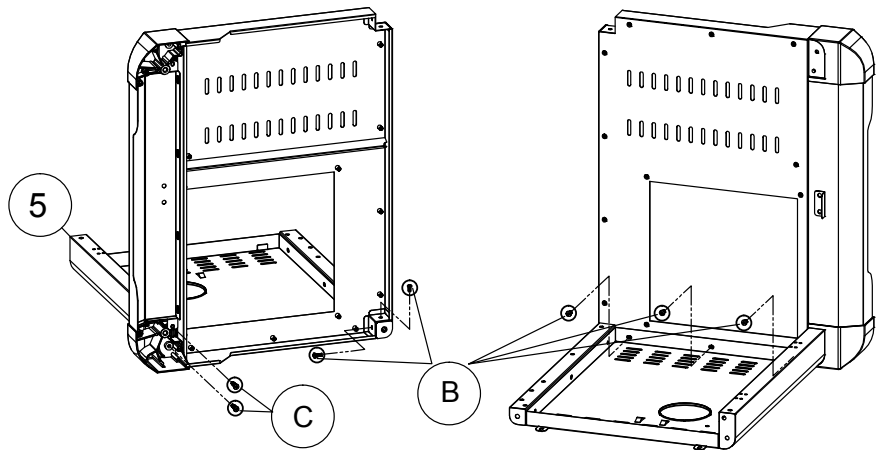
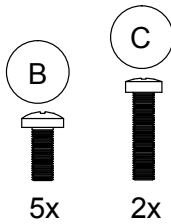
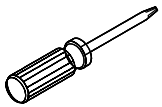
Llave inglesa ajustable

Instrucciones de montaje

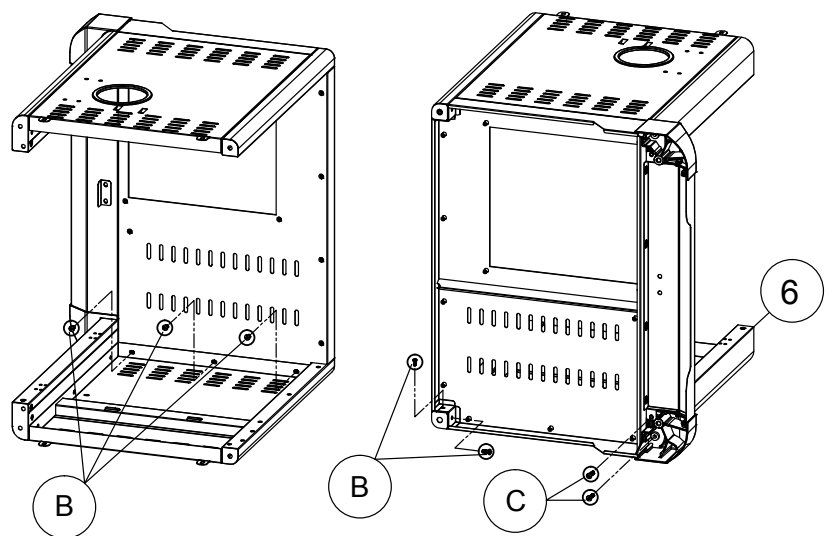
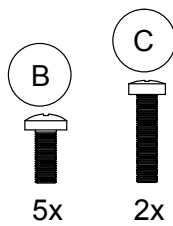
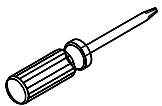
1.



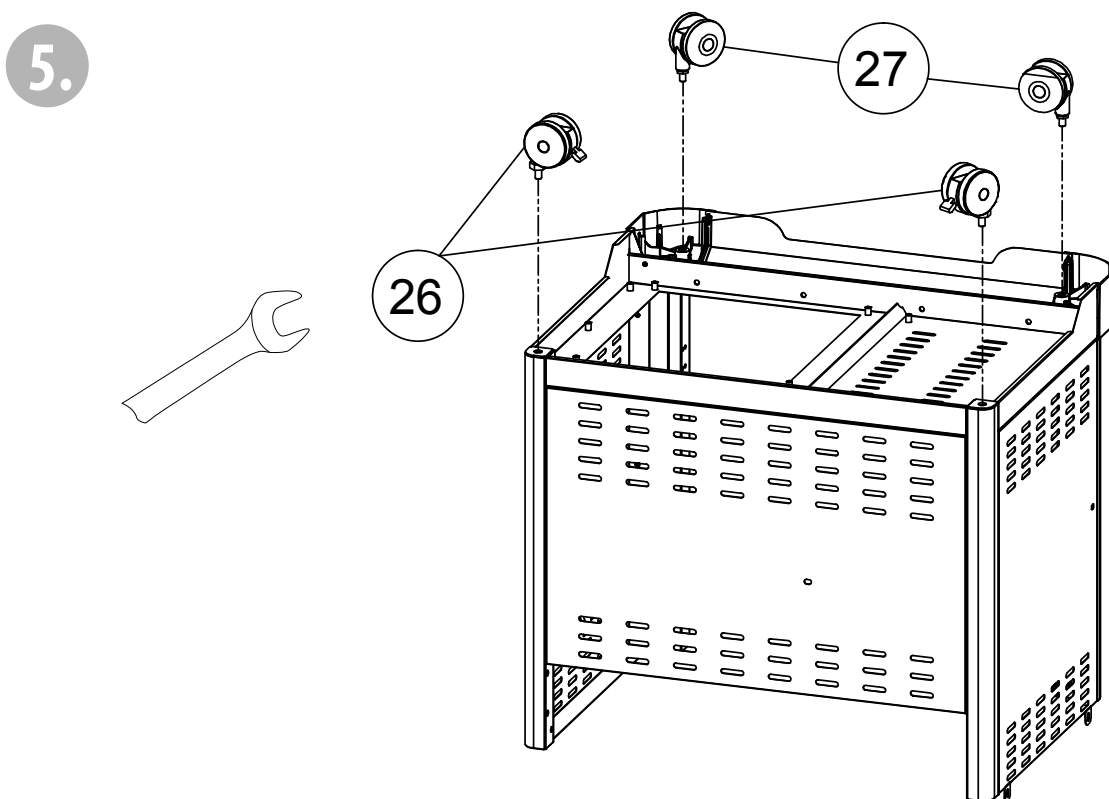
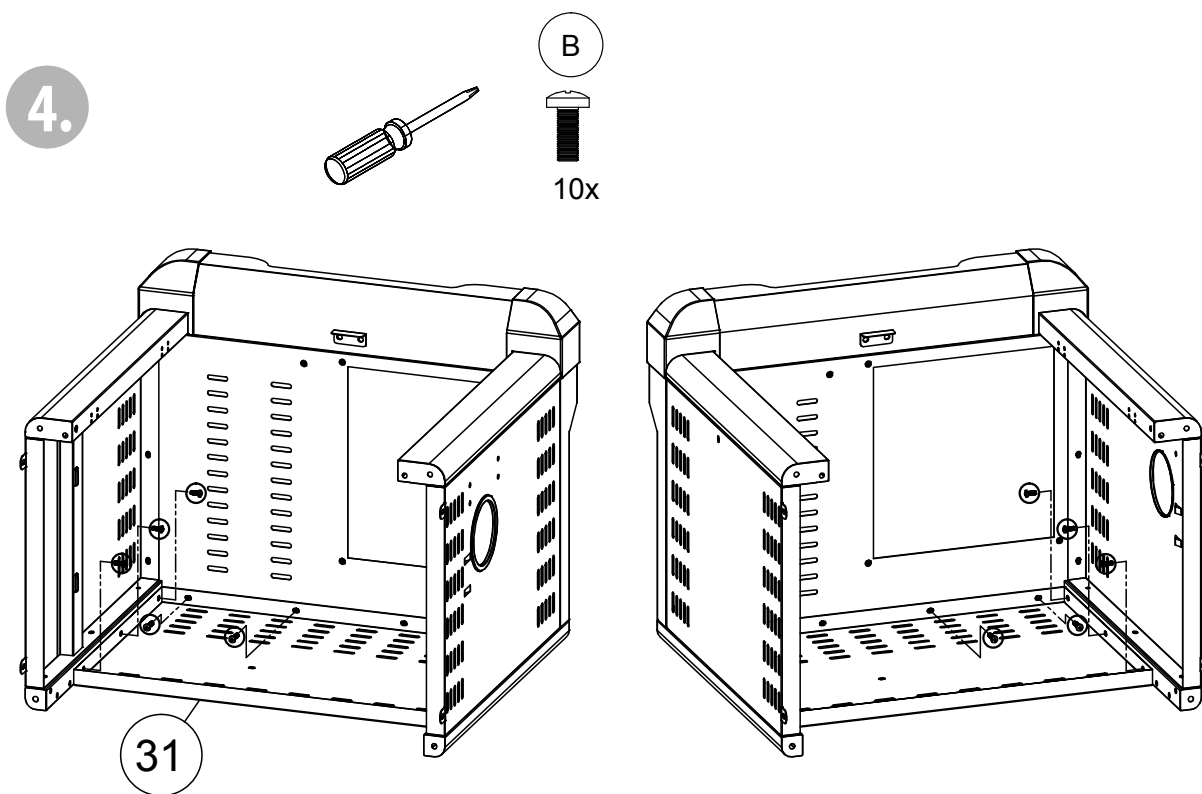
2.



3.

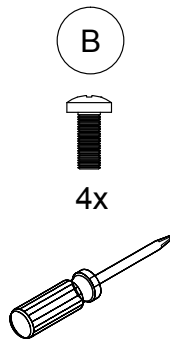


Instrucciones de montaje

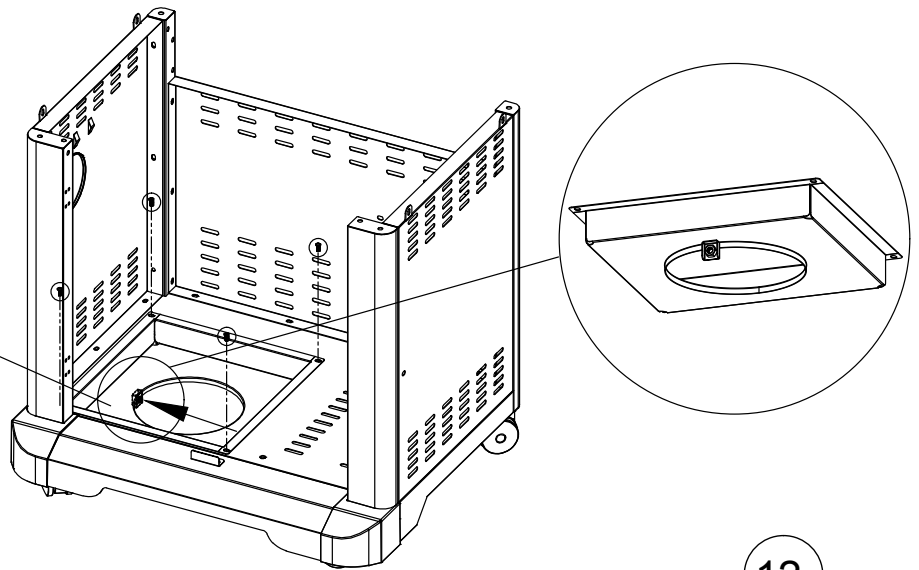


Instrucciones de montaje

6.

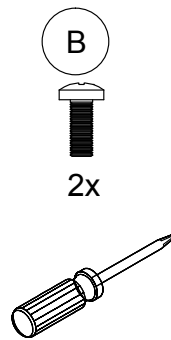


30

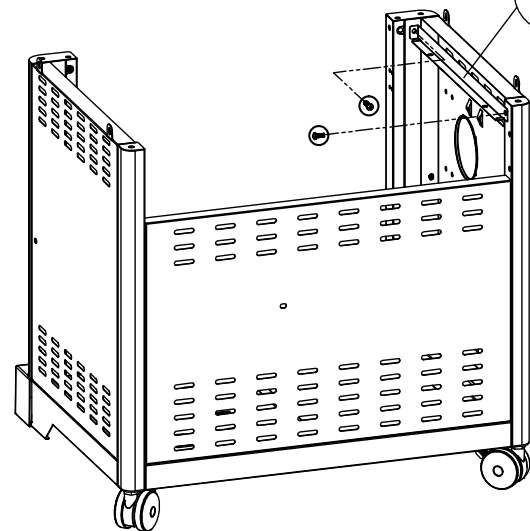


Asegúrese de instalar la bandeja del depósito de LP con la tuerca en el lado izquierdo.

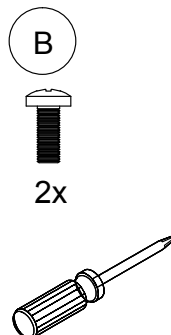
7.



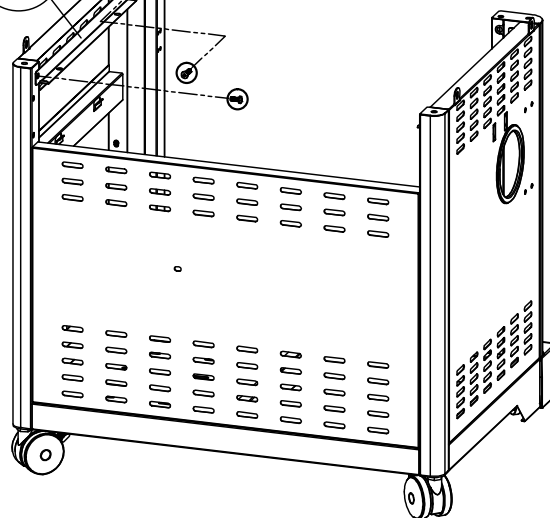
12



8.

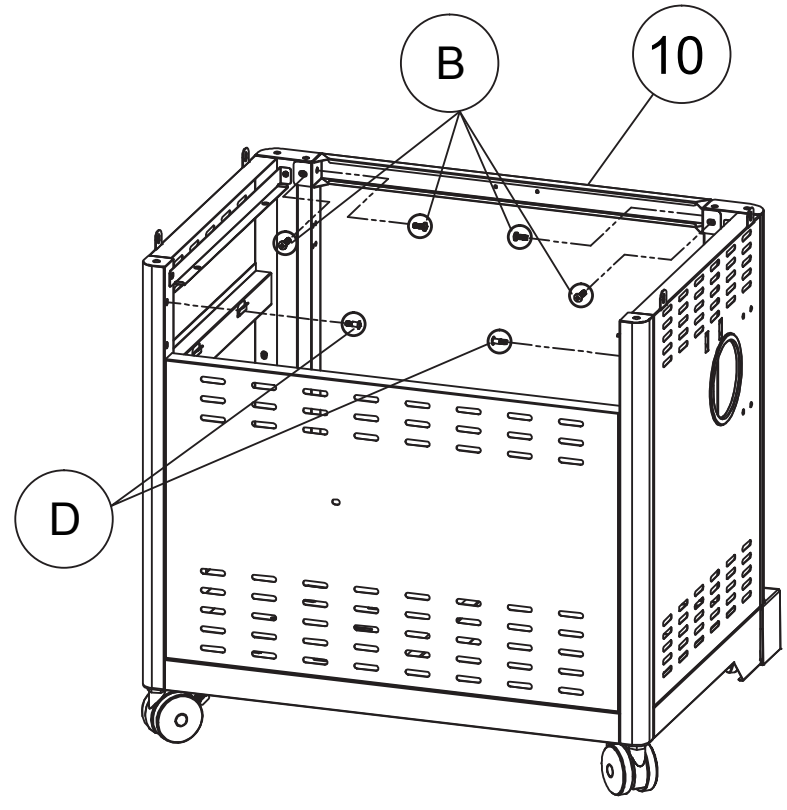
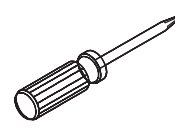
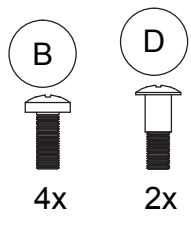


13

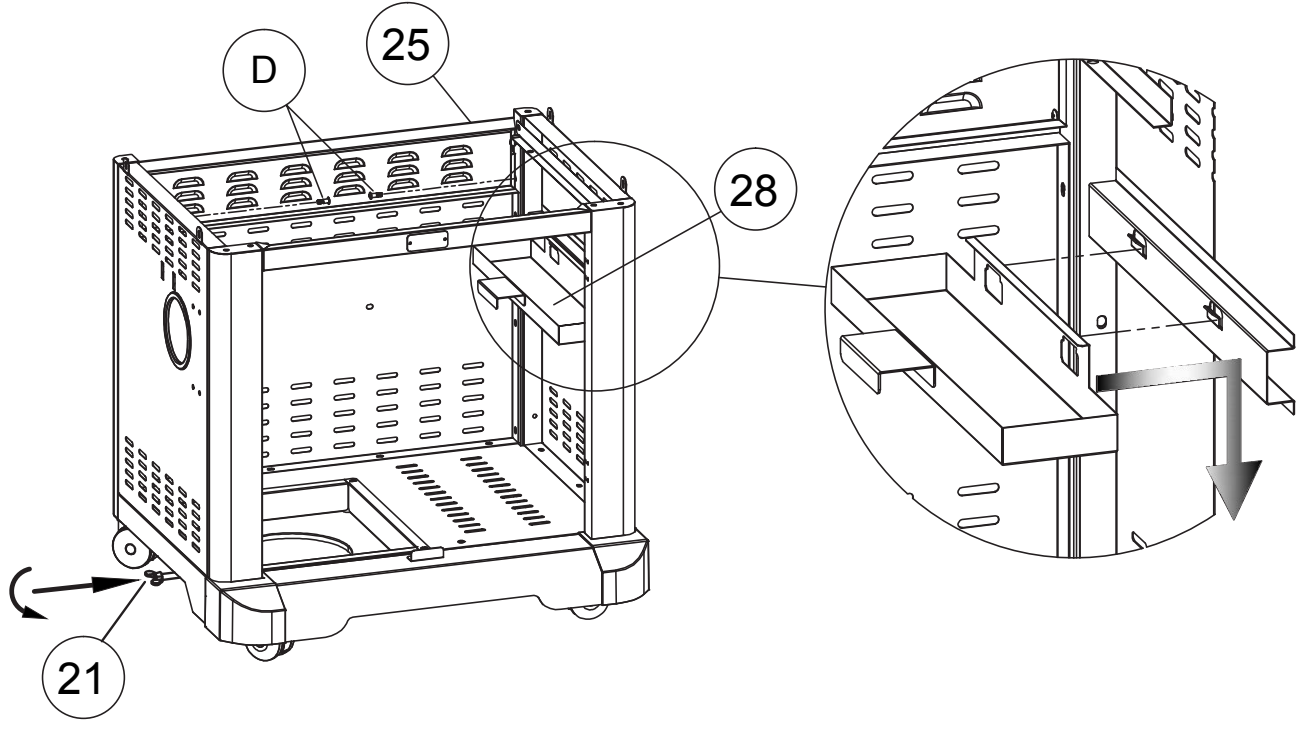
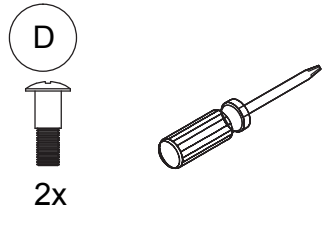


Instrucciones de montaje

9.

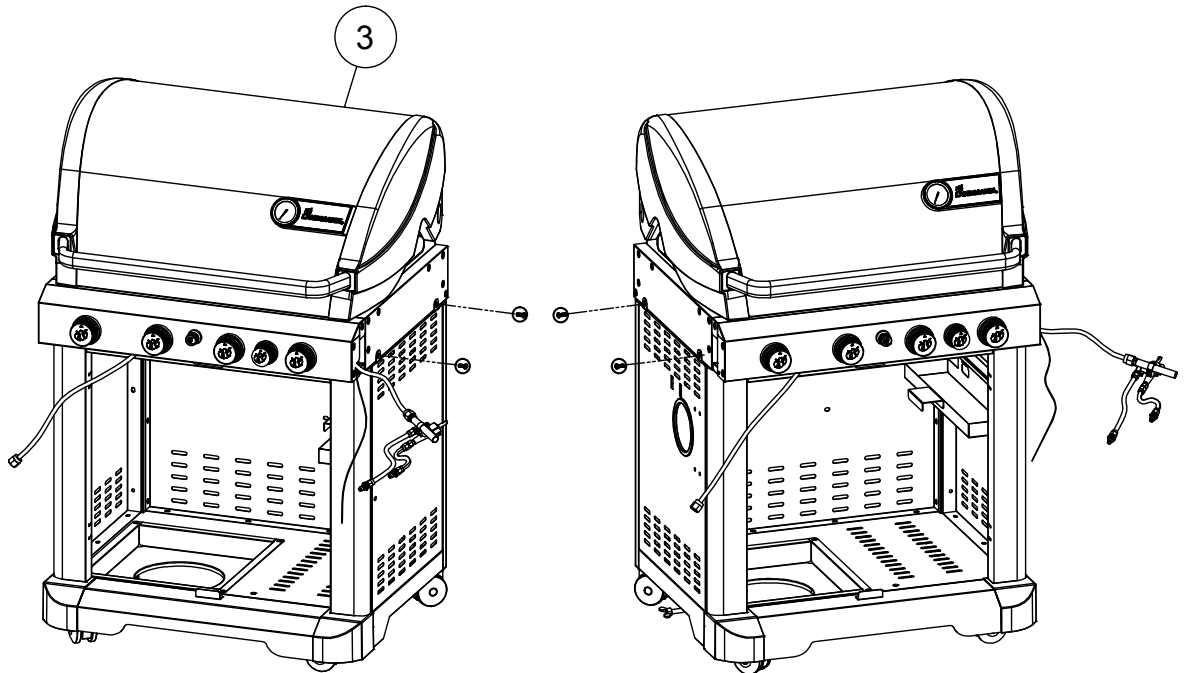
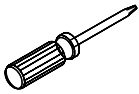


10.

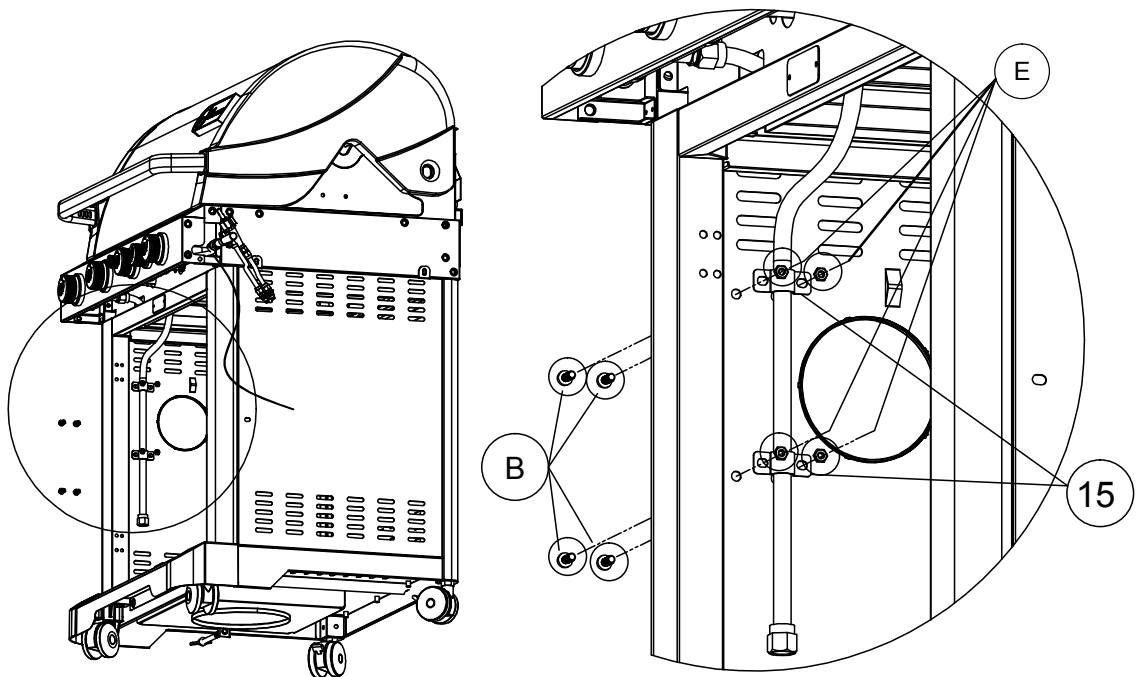
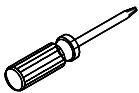
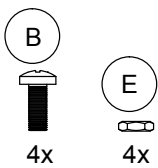


Instrucciones de montaje

11.

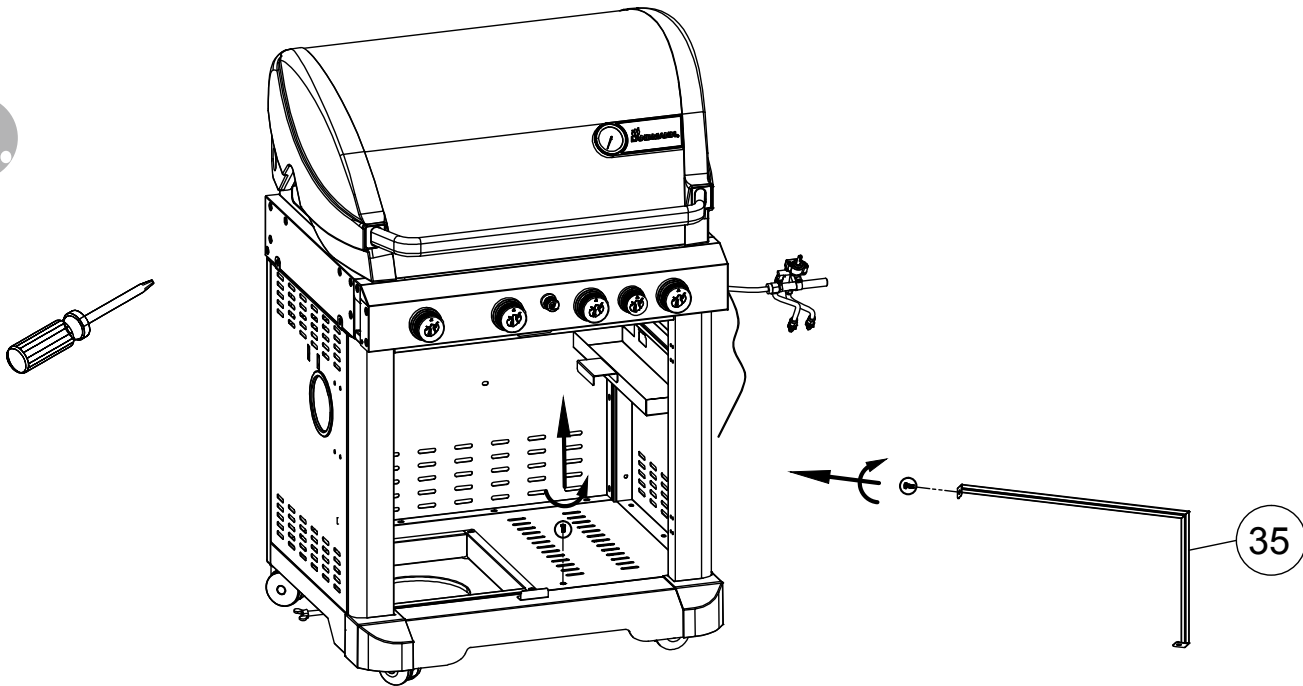


12.

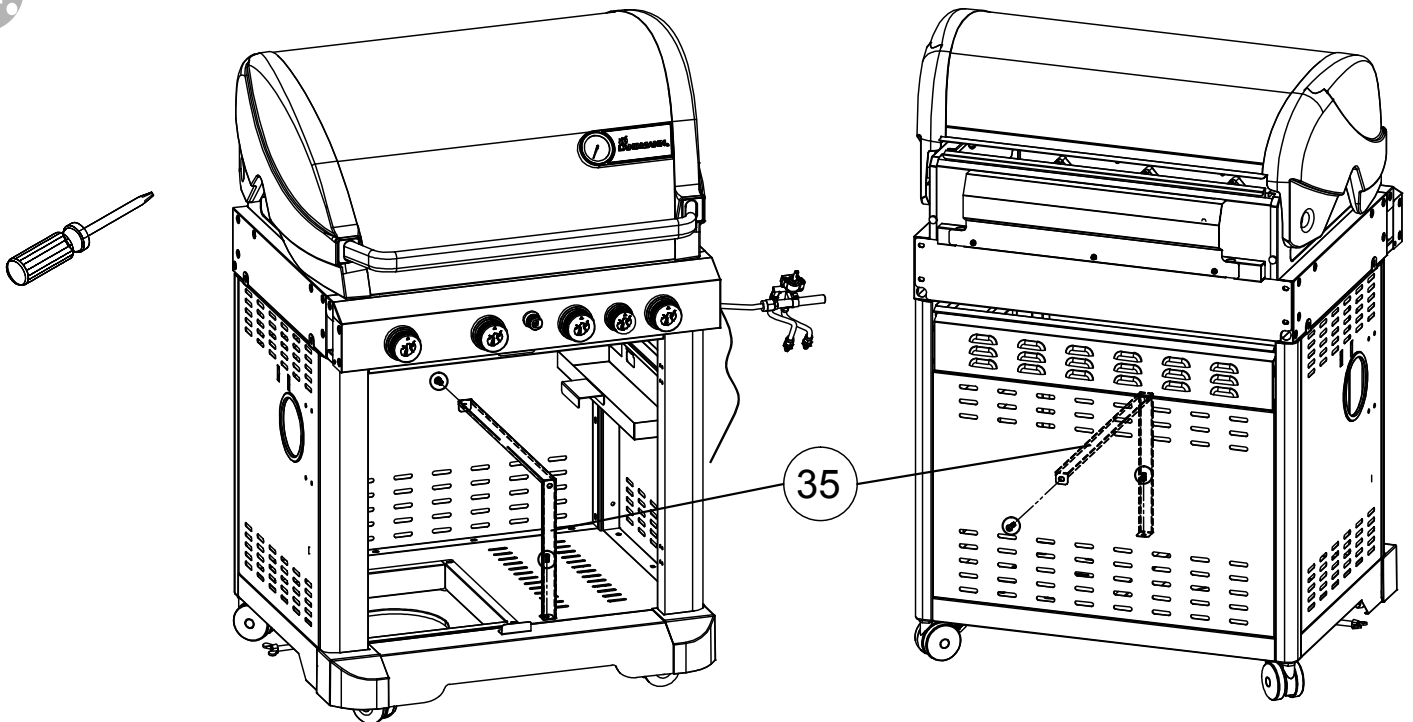


Instrucciones de montaje

13.

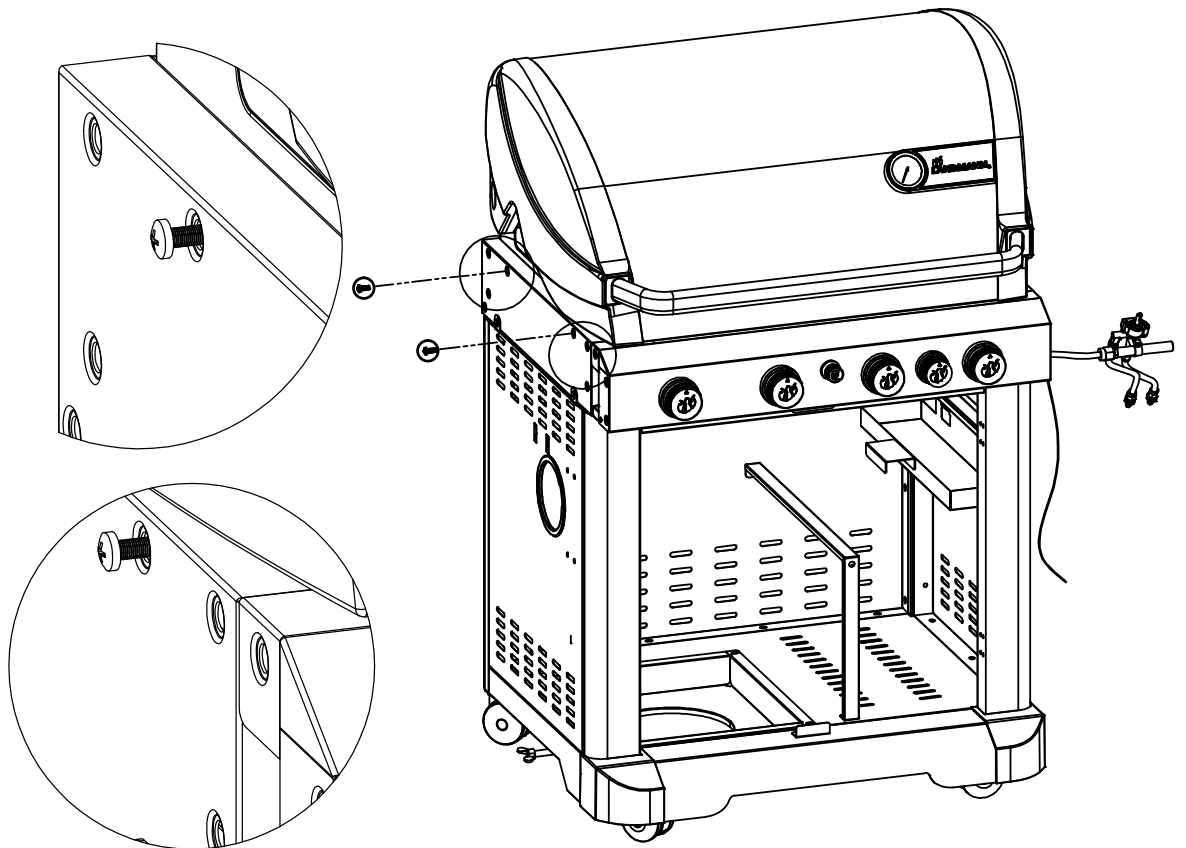
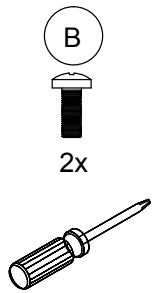


14.

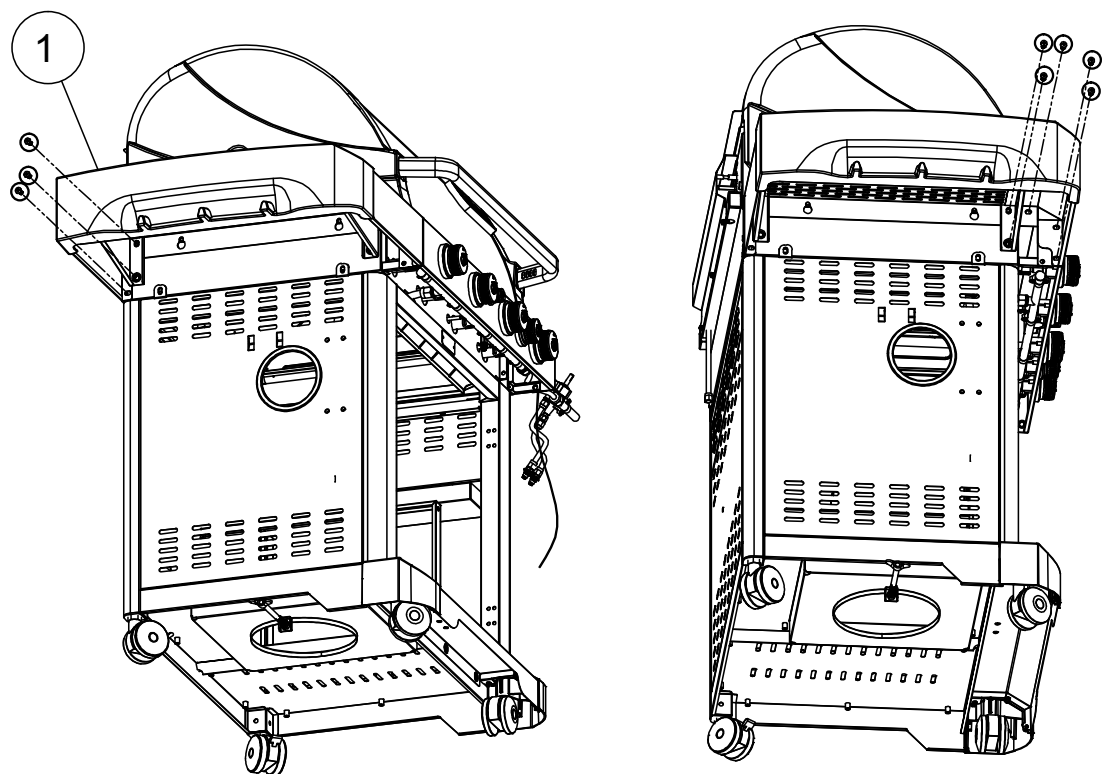
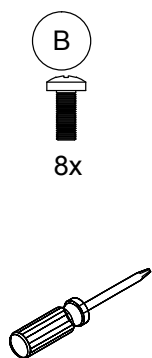


Instrucciones de montaje

15.

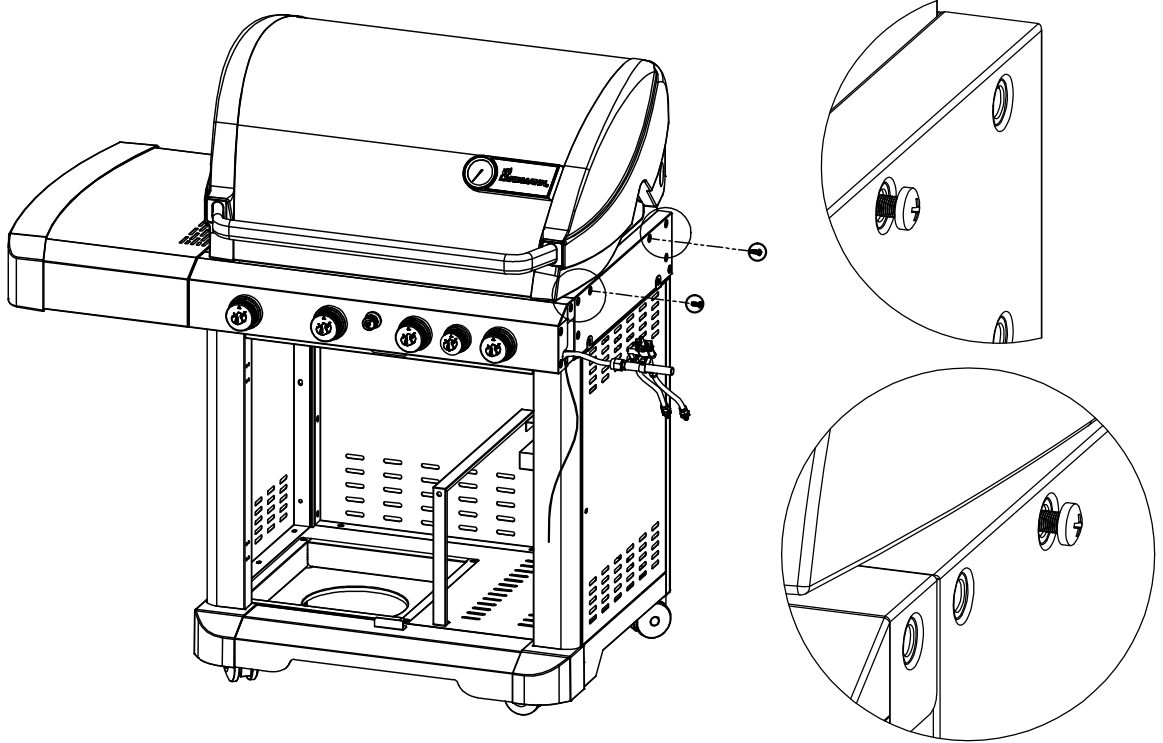
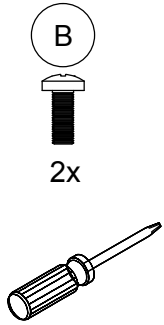


16.

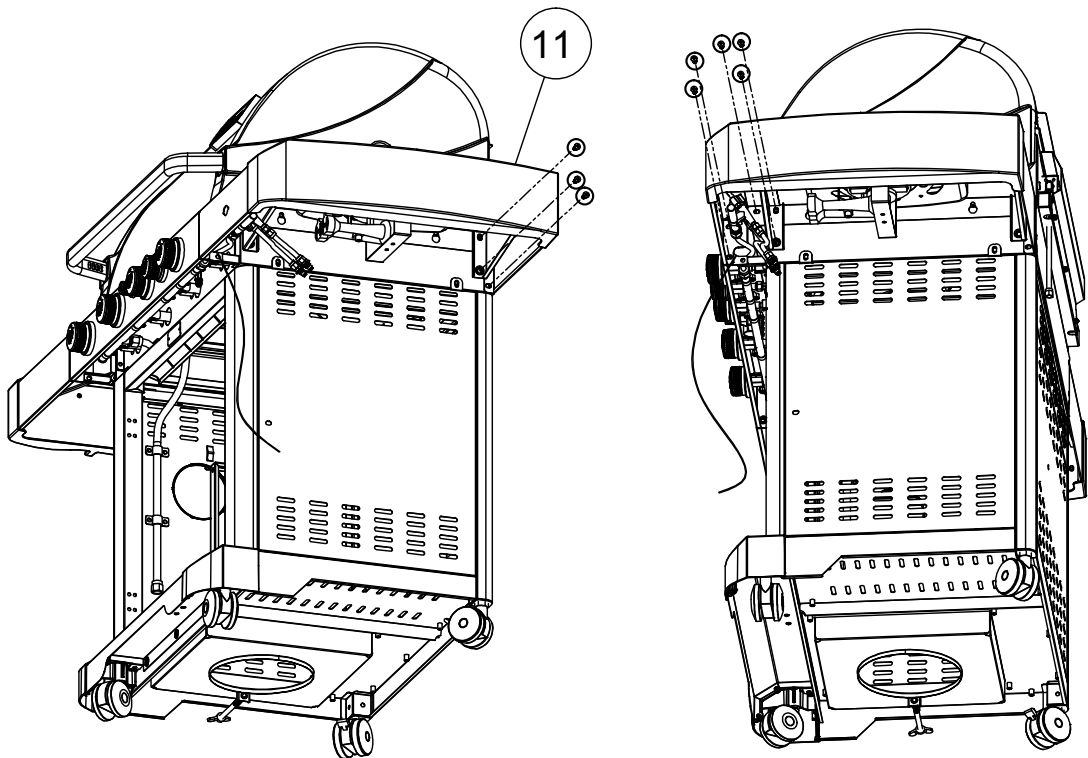
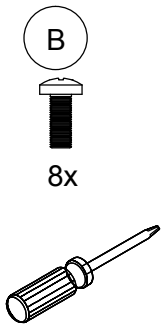


Instrucciones de montaje

17.

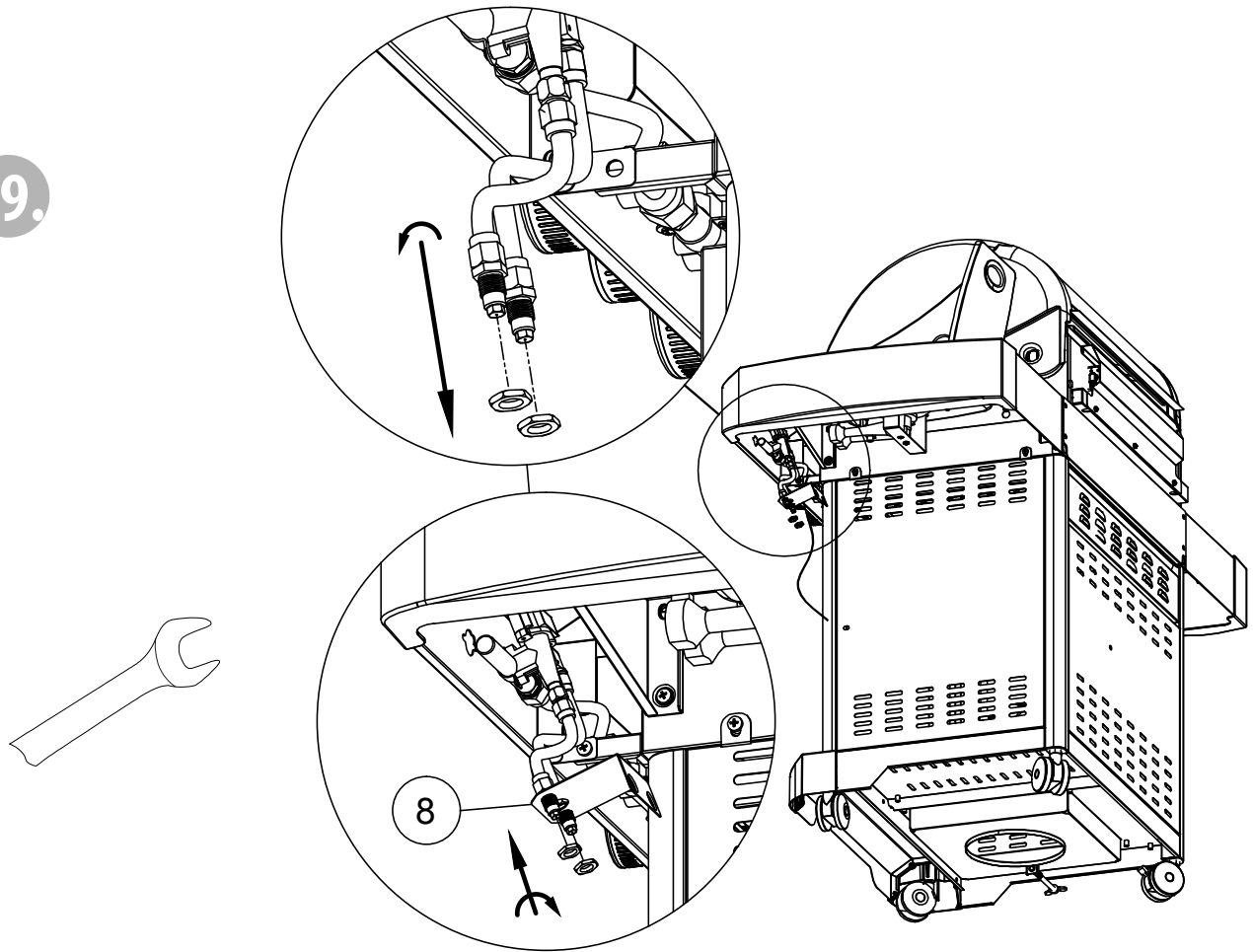


18.

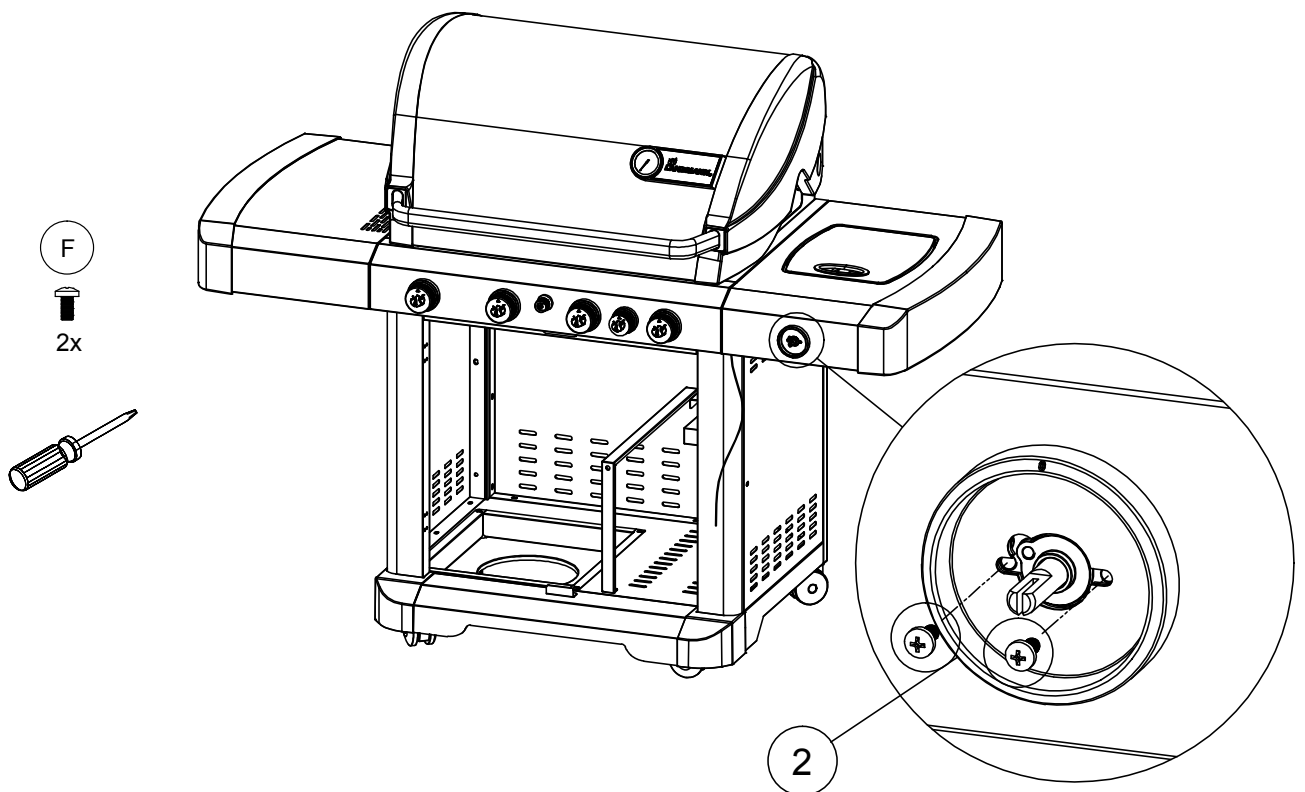


Instrucciones de montaje

19.



20.



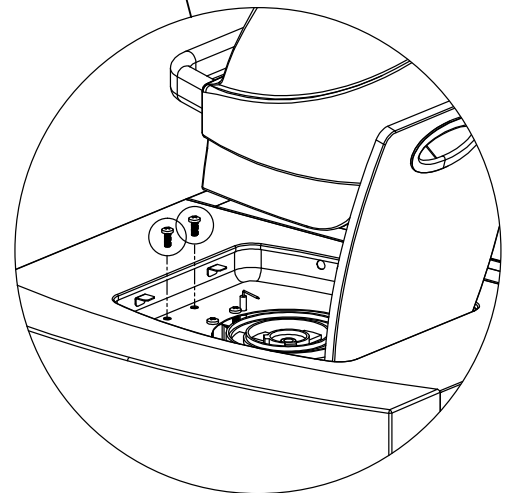
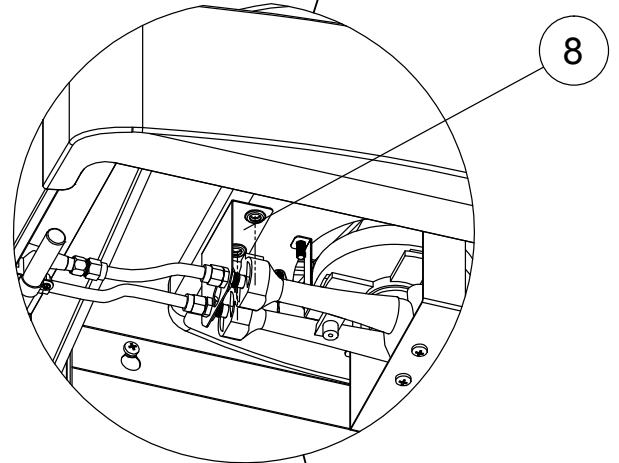
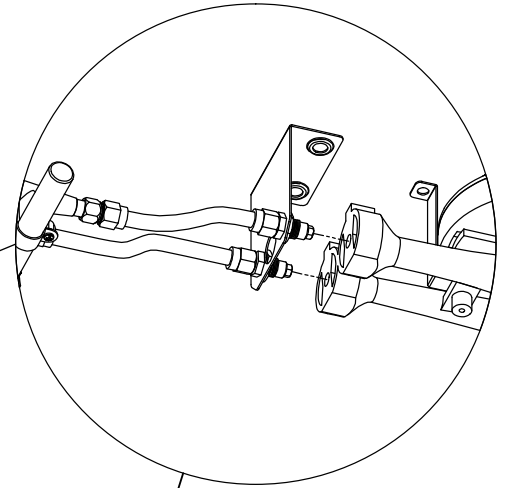
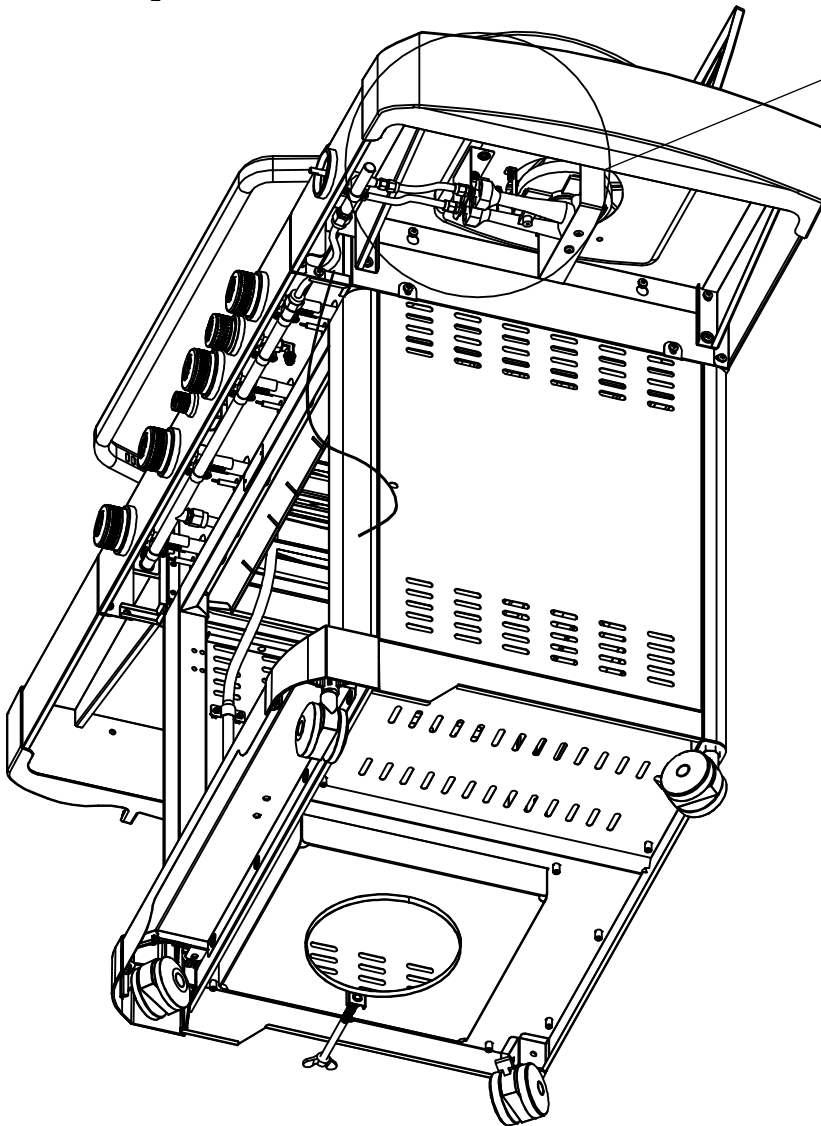
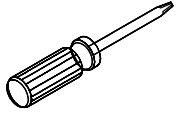
Instrucciones de montaje

21.

B

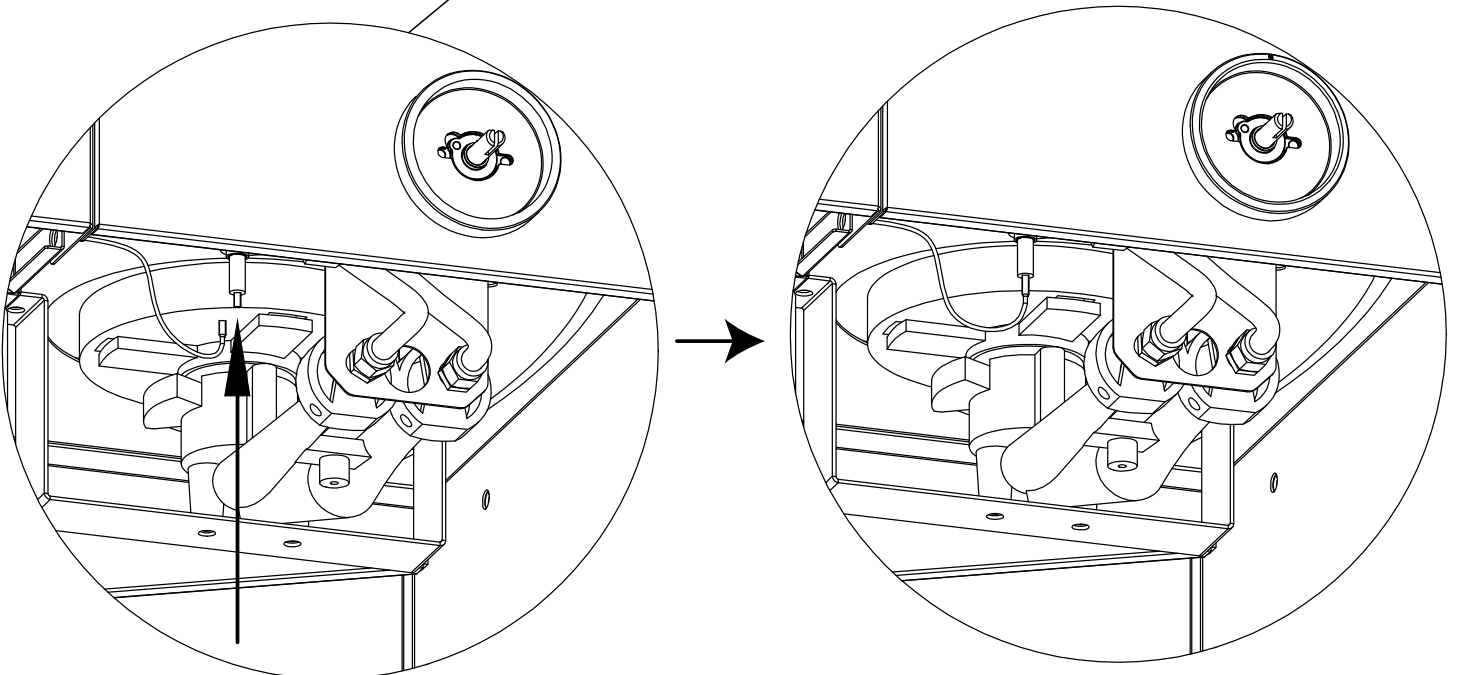
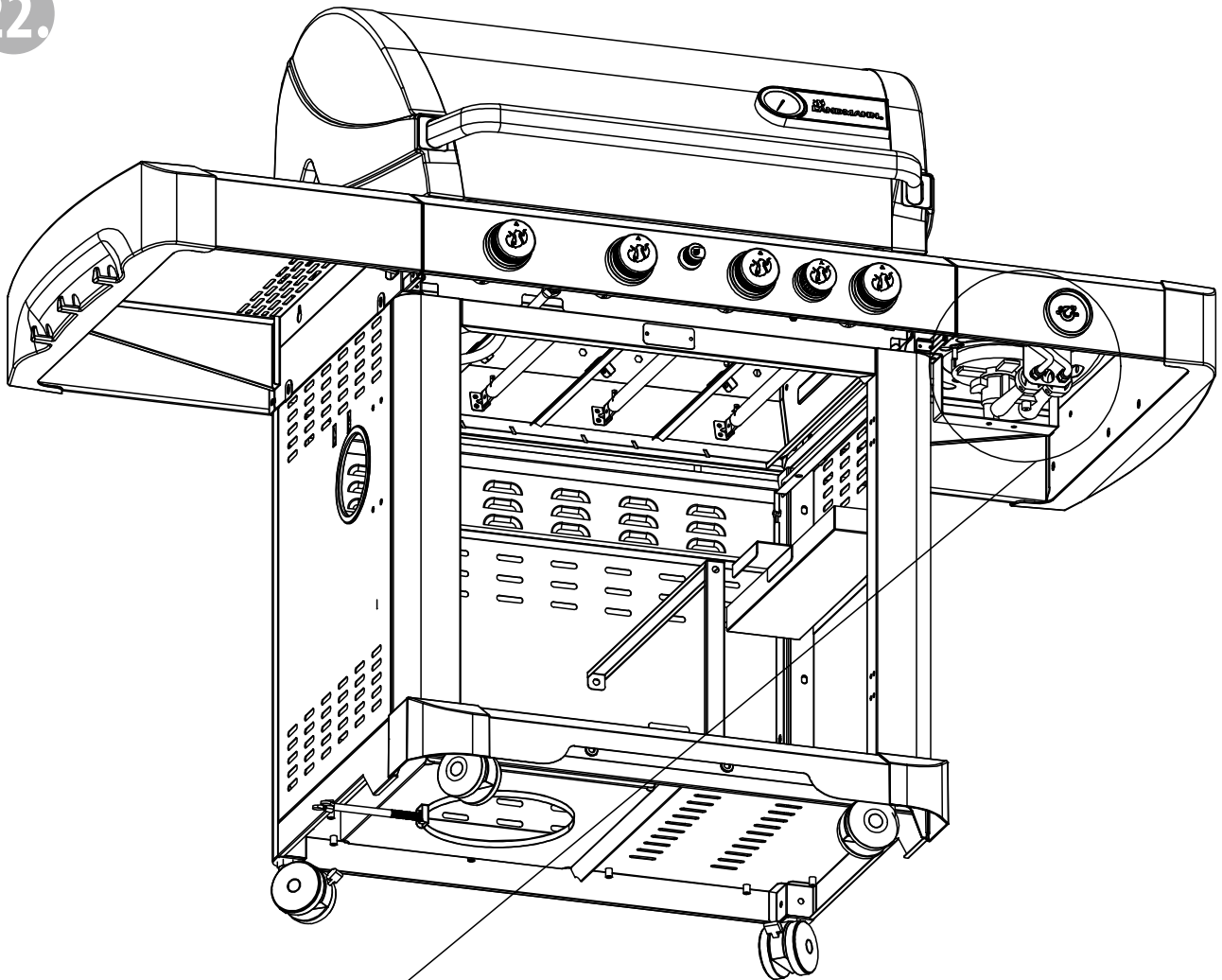


2x



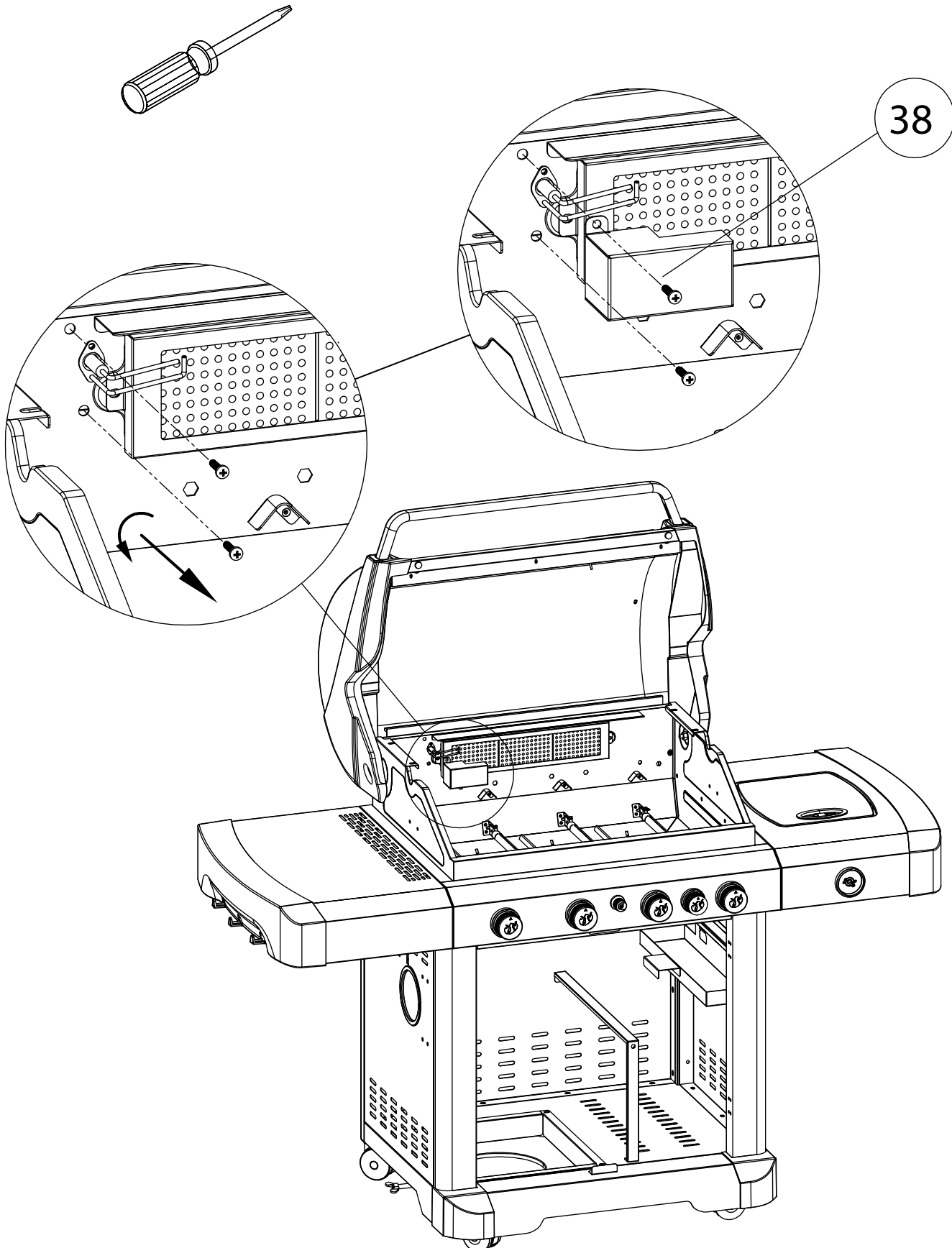
Instrucciones de montaje

22.



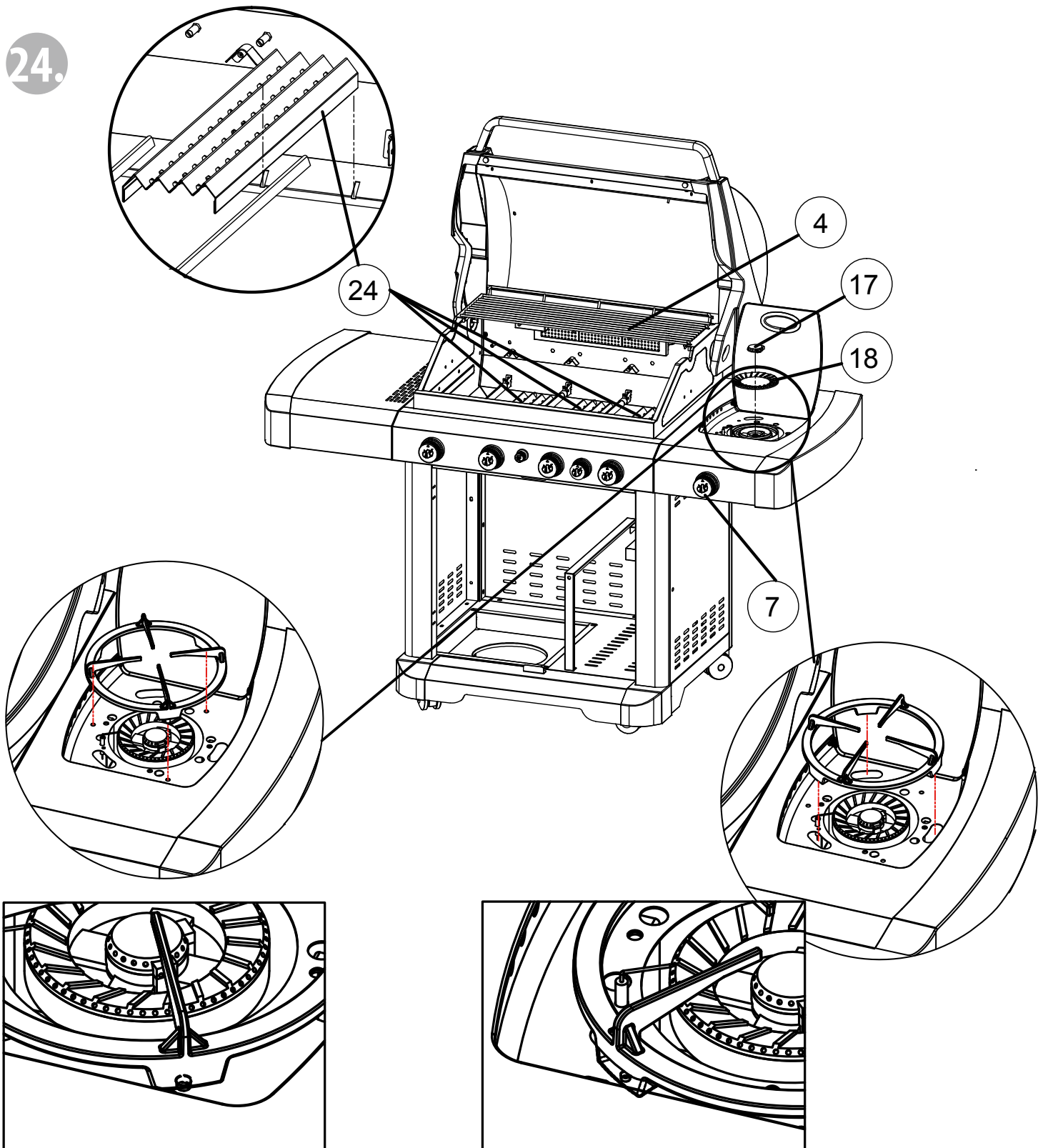
Instrucciones de montaje

23.



Instrucciones de montaje

24.

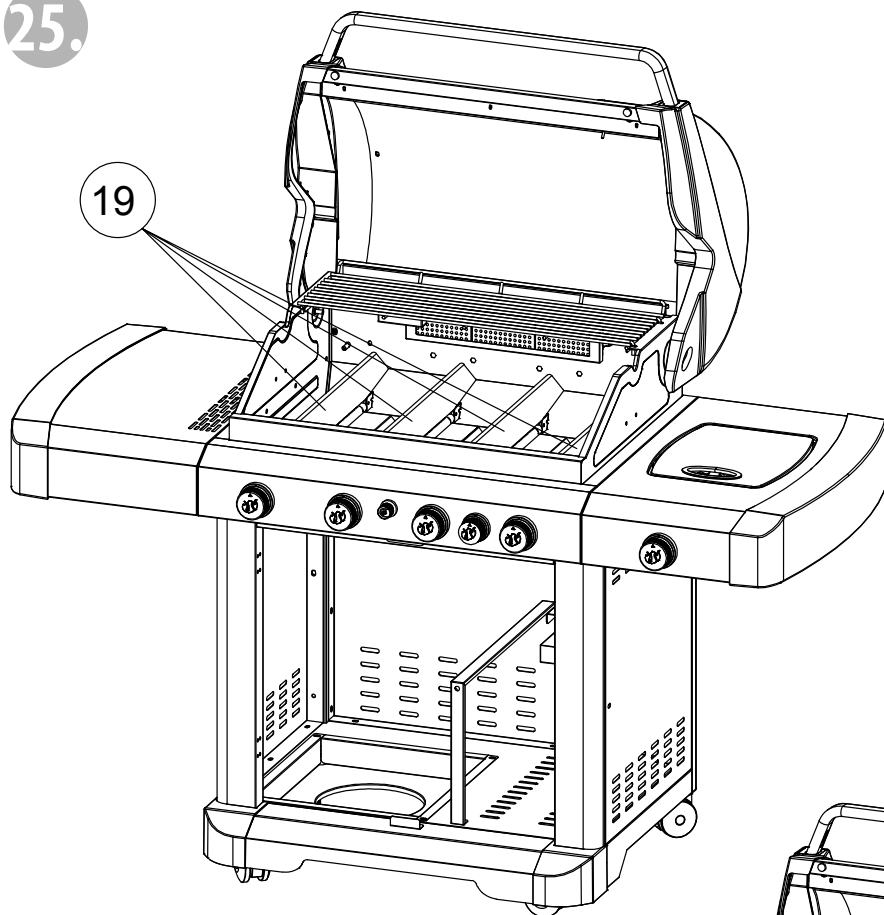


Para usar el quemador lateral - Levante y gire la parrilla de cocción para que las patas descansen directamente en el estante del quemador lateral (no en las ranuras).

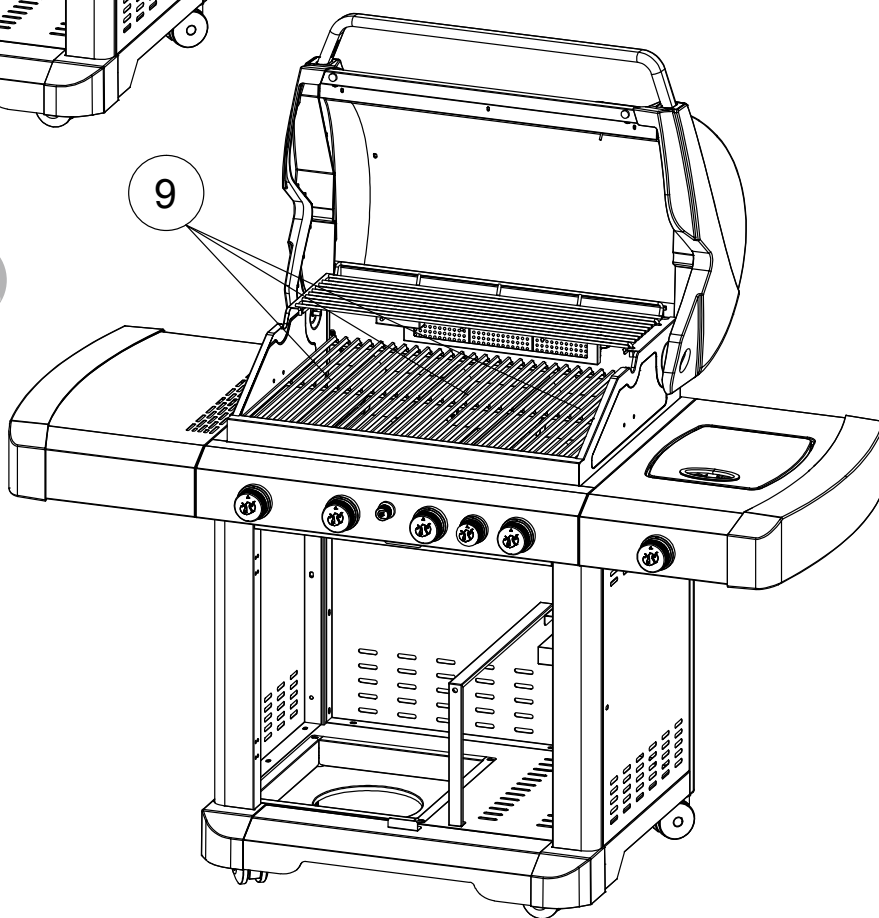
Para almacenamiento - Gire la parrilla de cocción de forma que las patas se sitúen dentro de las ranuras en el estante del quemador lateral.

Instrucciones de montaje

25.

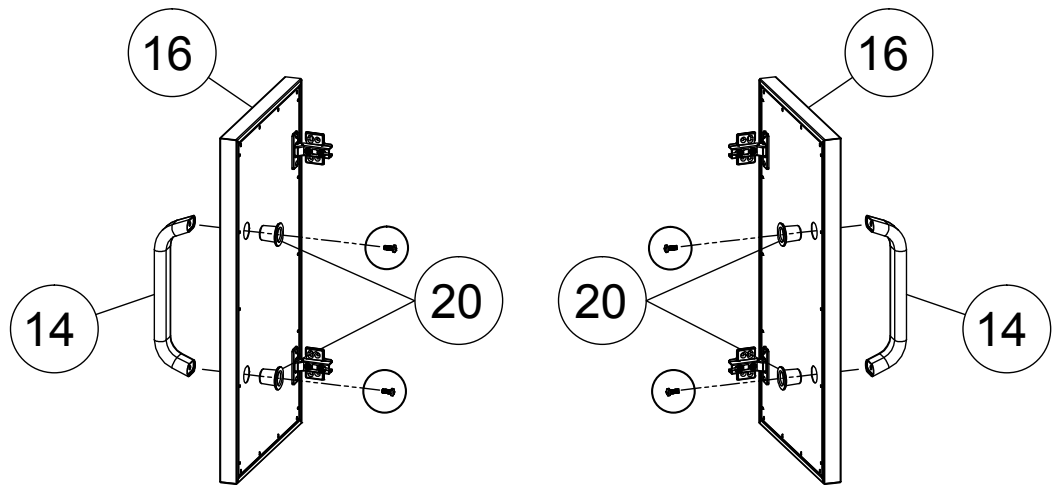
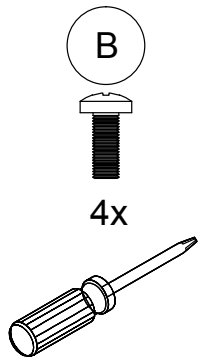


26.

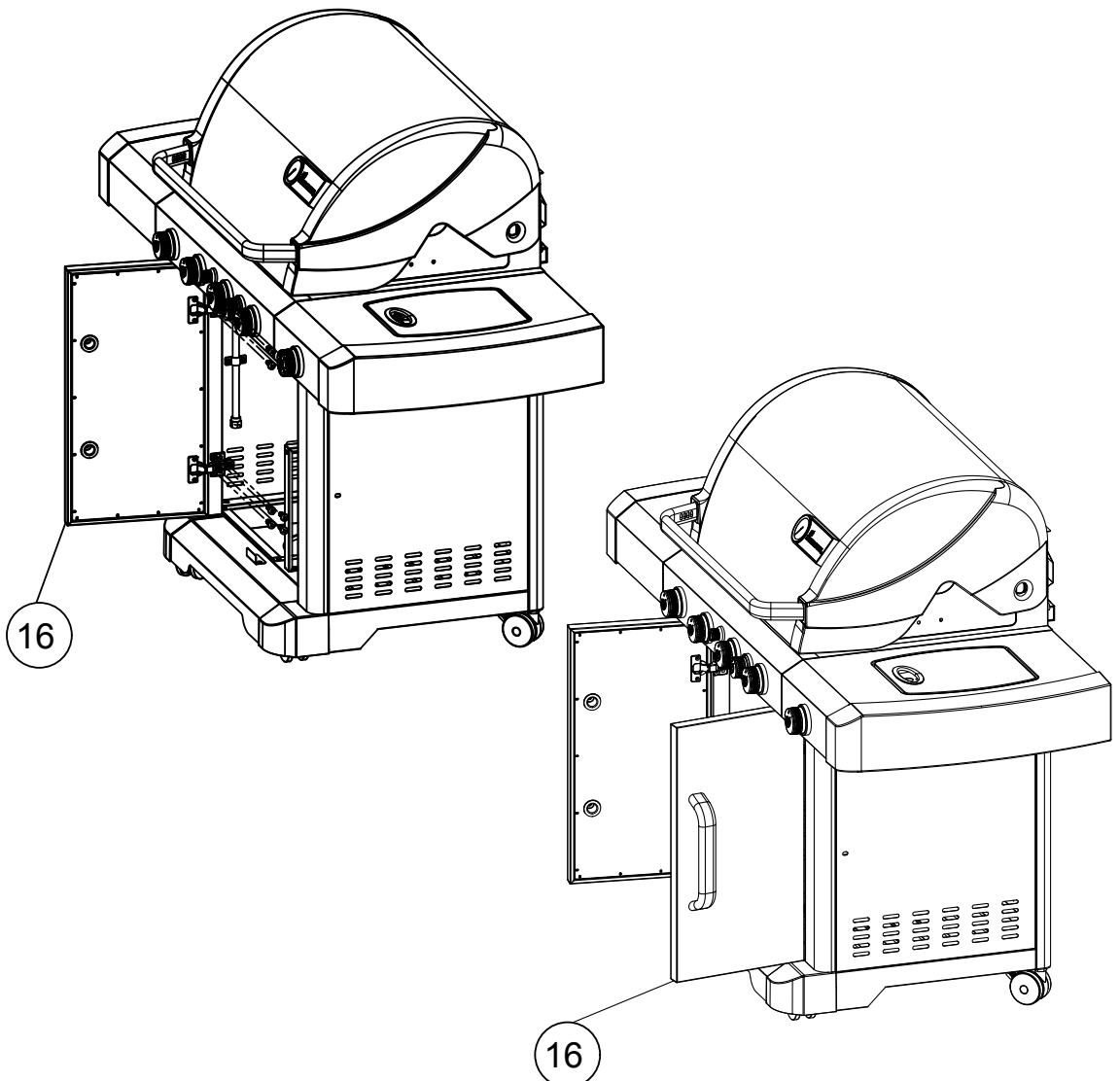
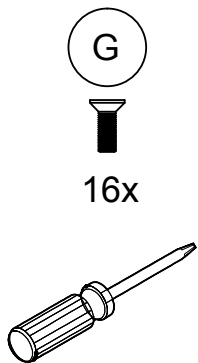


Instrucciones de montaje

27.



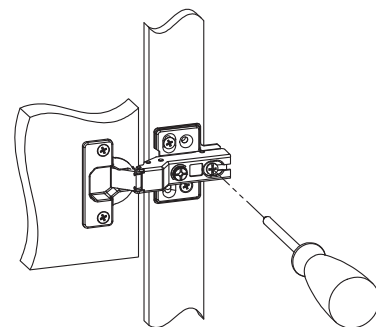
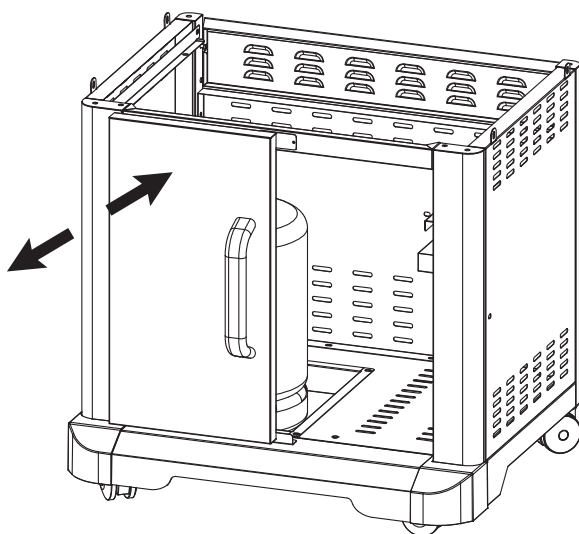
28.



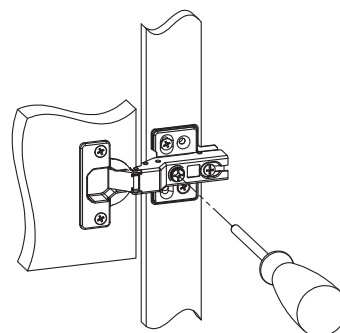
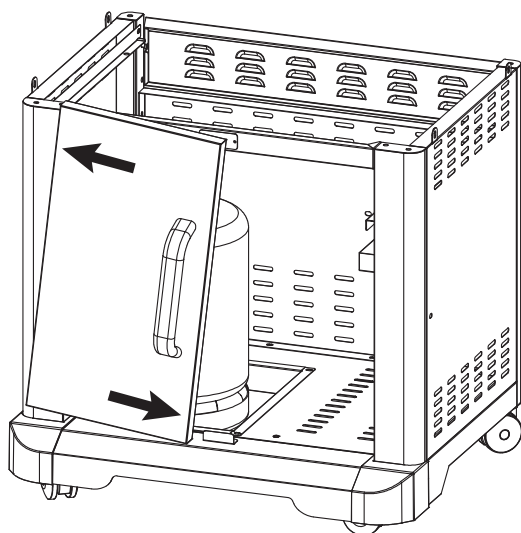
Instrucciones de montaje

29.

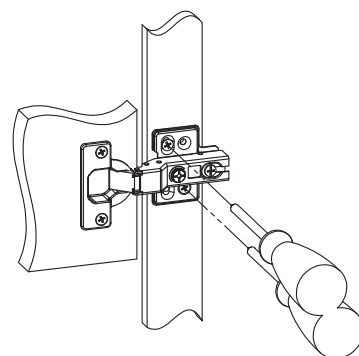
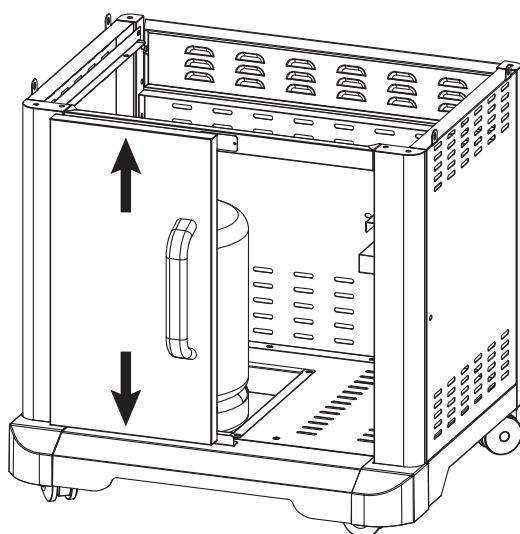
Consejos de ajuste de bisagras



Ajuste el espacio entre
puerta y pilar



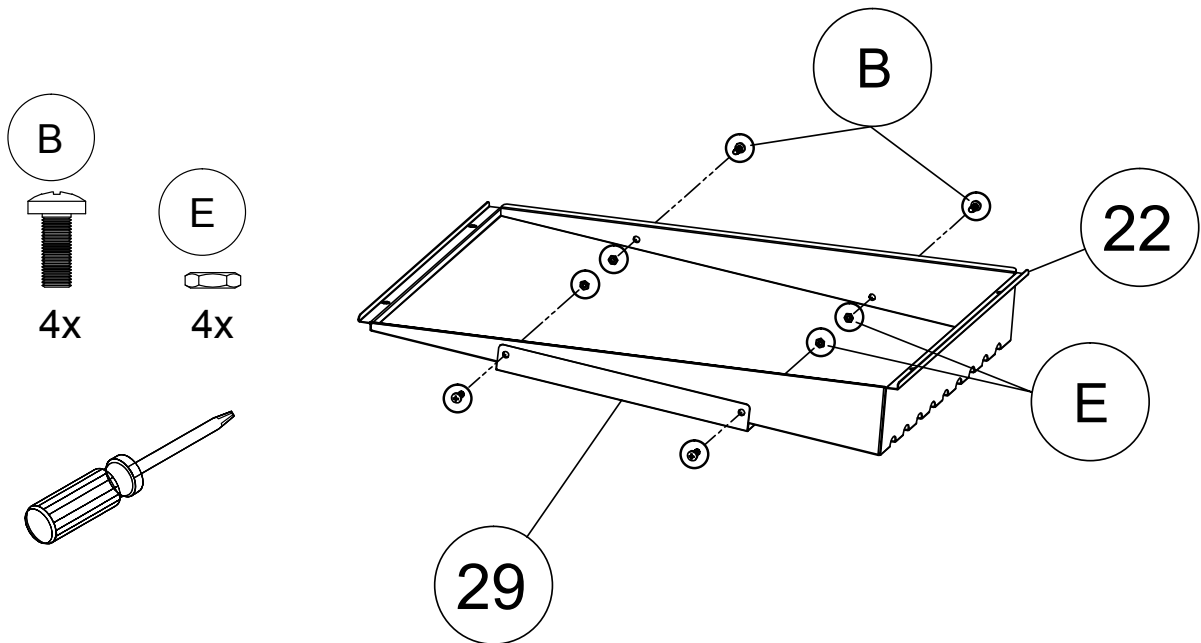
Ajuste el solapado entre
puerta y pilar



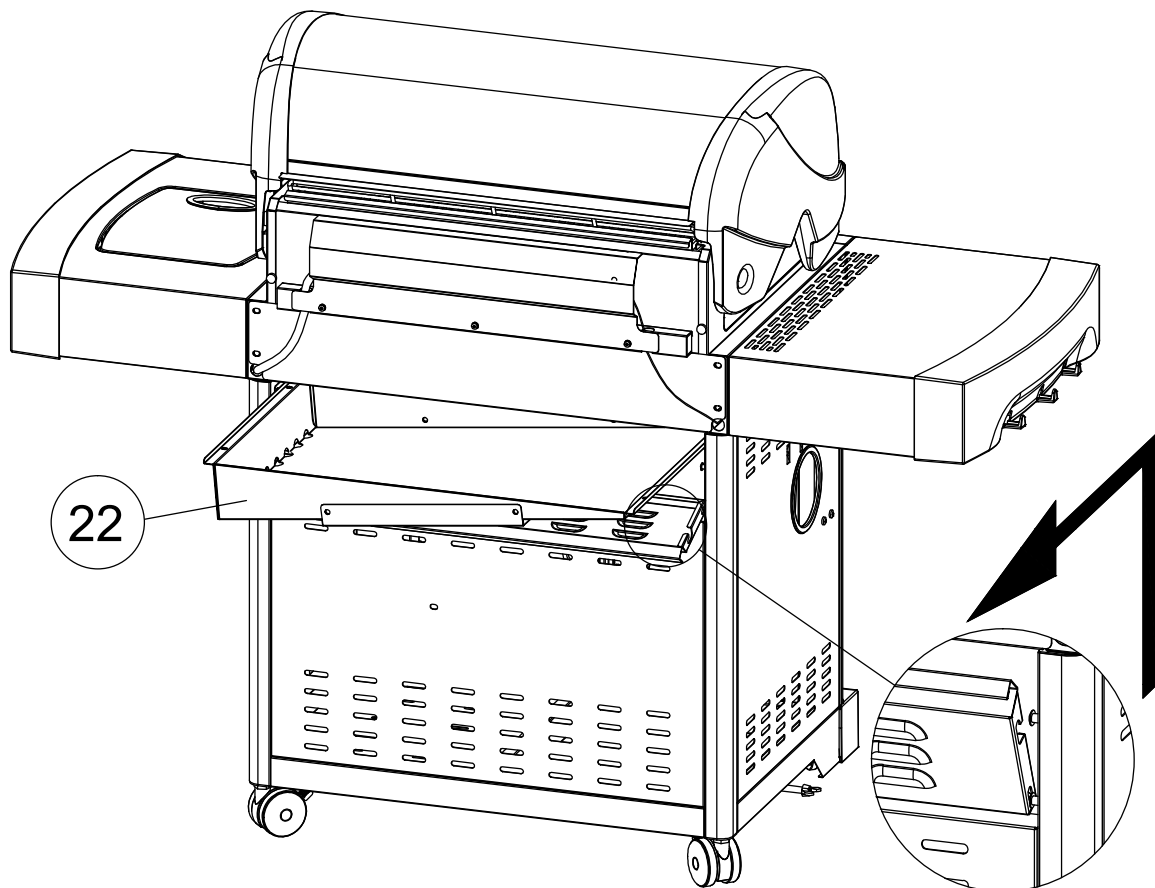
Ajuste las posiciones superior
e inferior de la puerta

Instrucciones de montaje

30.

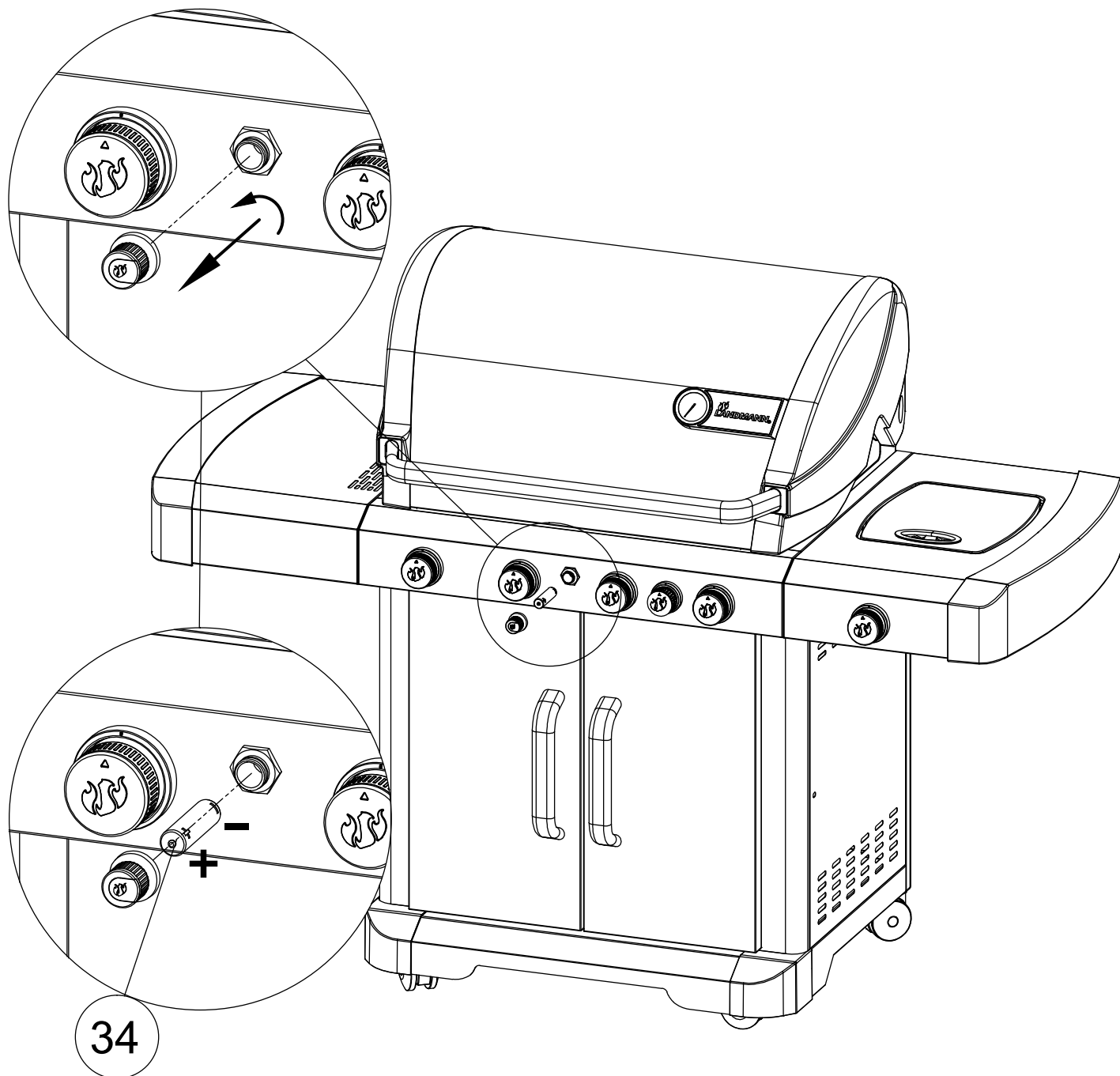


31.



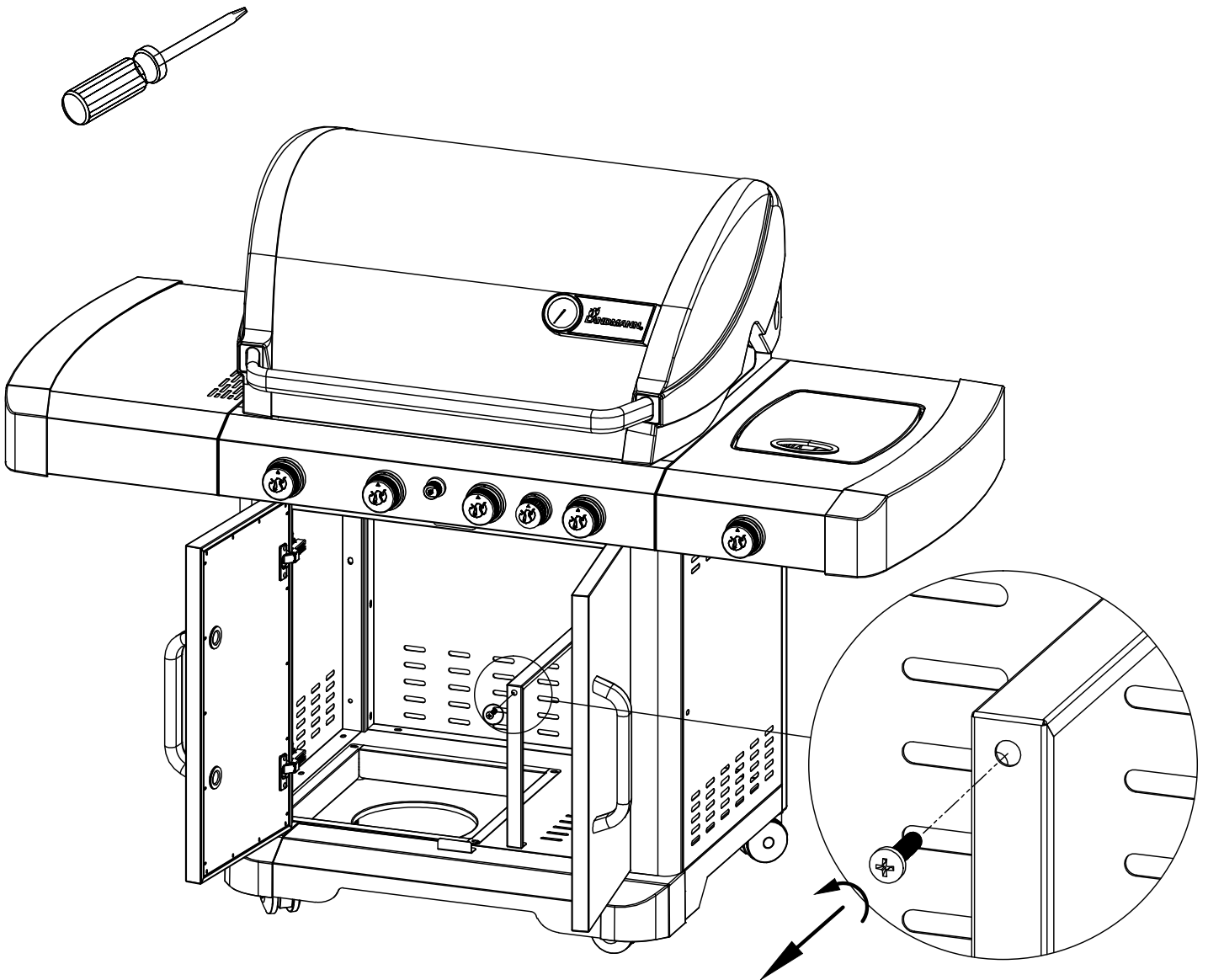
Instrucciones de montaje

32.



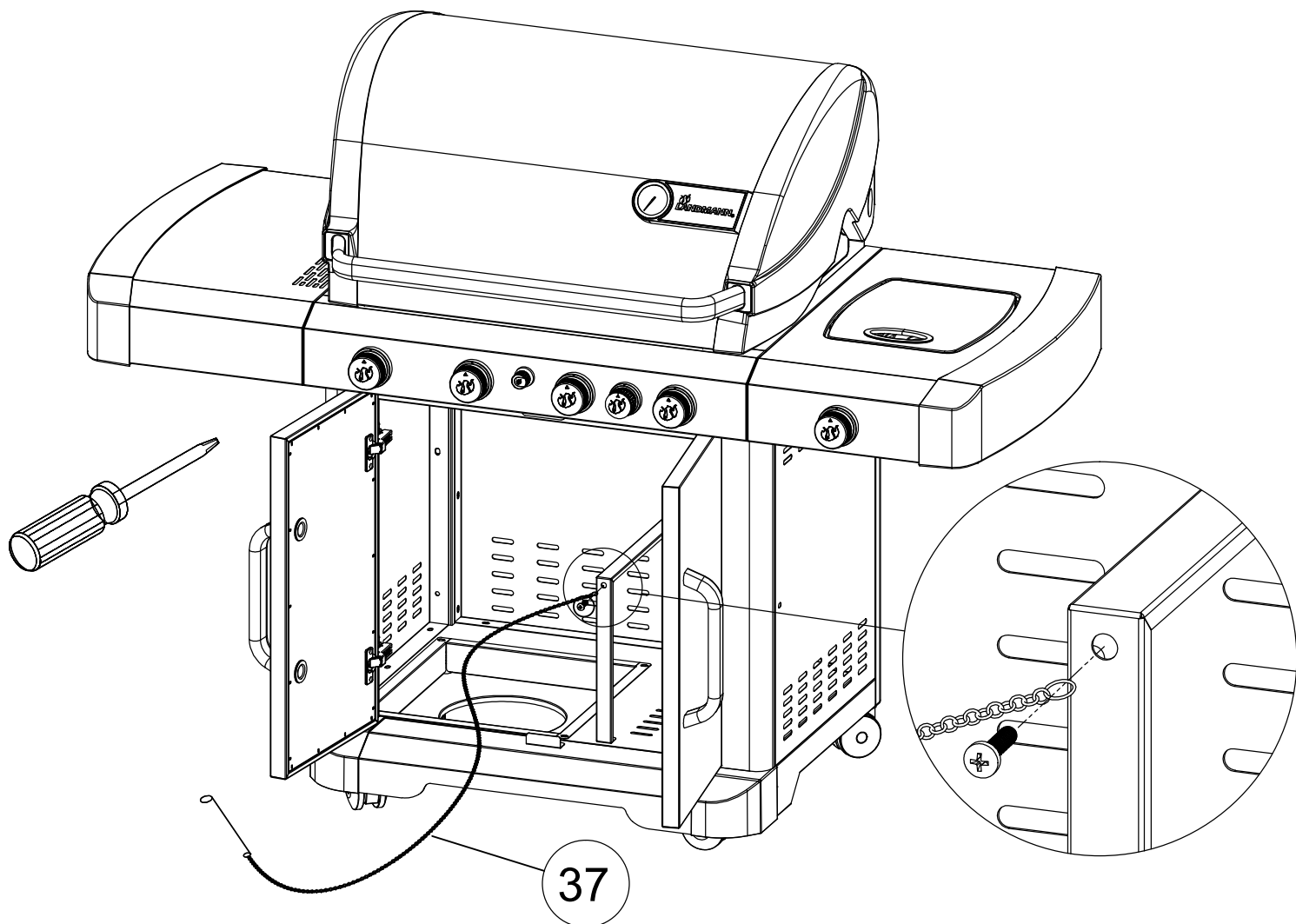
Instrucciones de montaje

33.



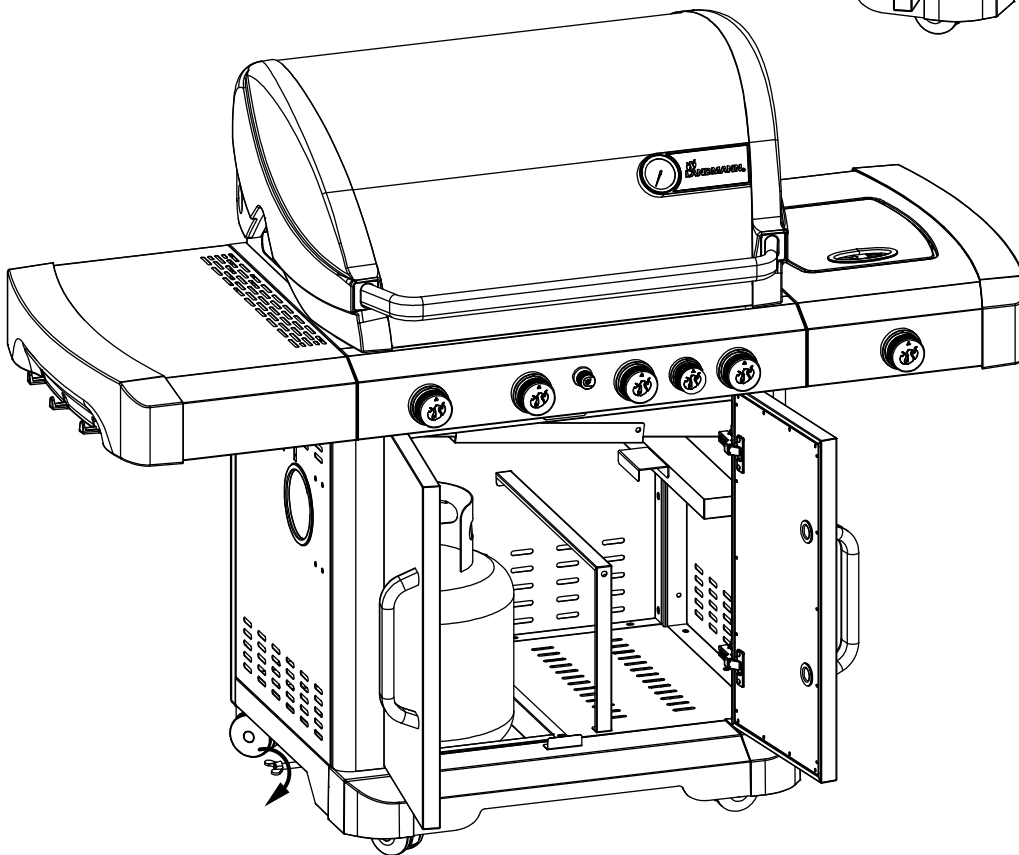
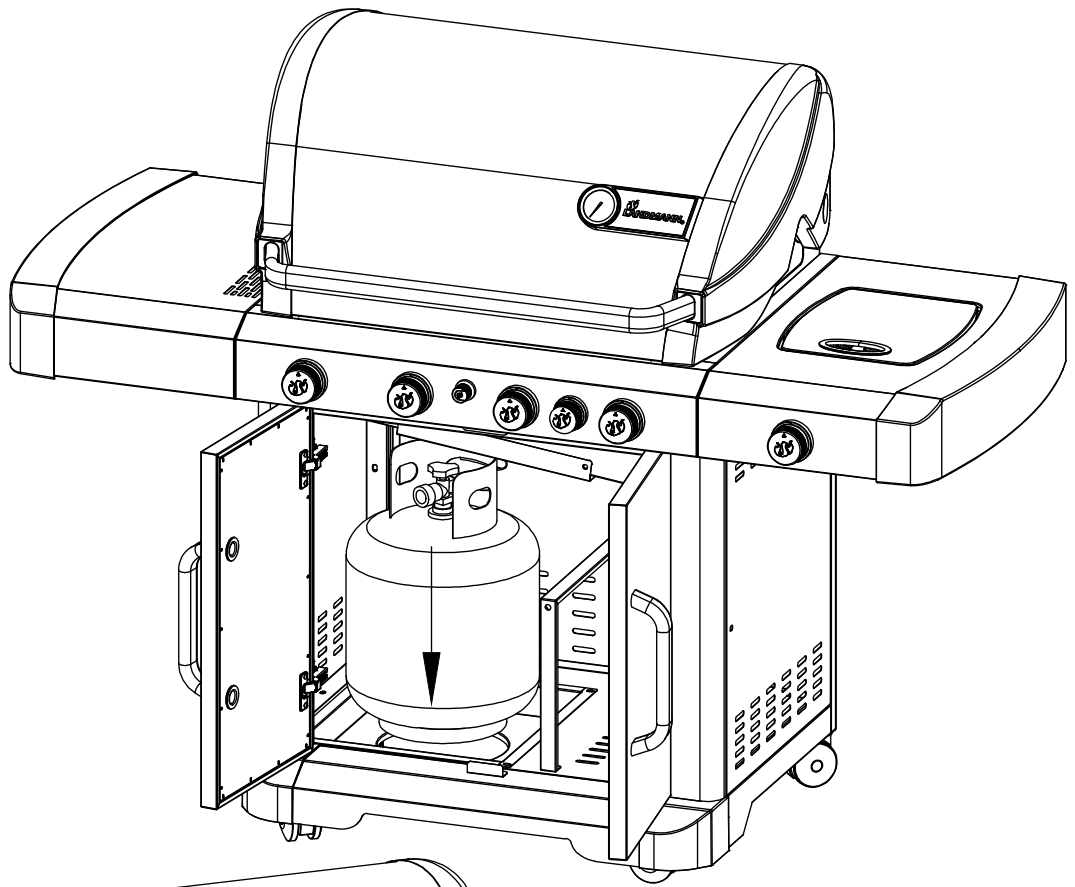
Instrucciones de montaje

34.

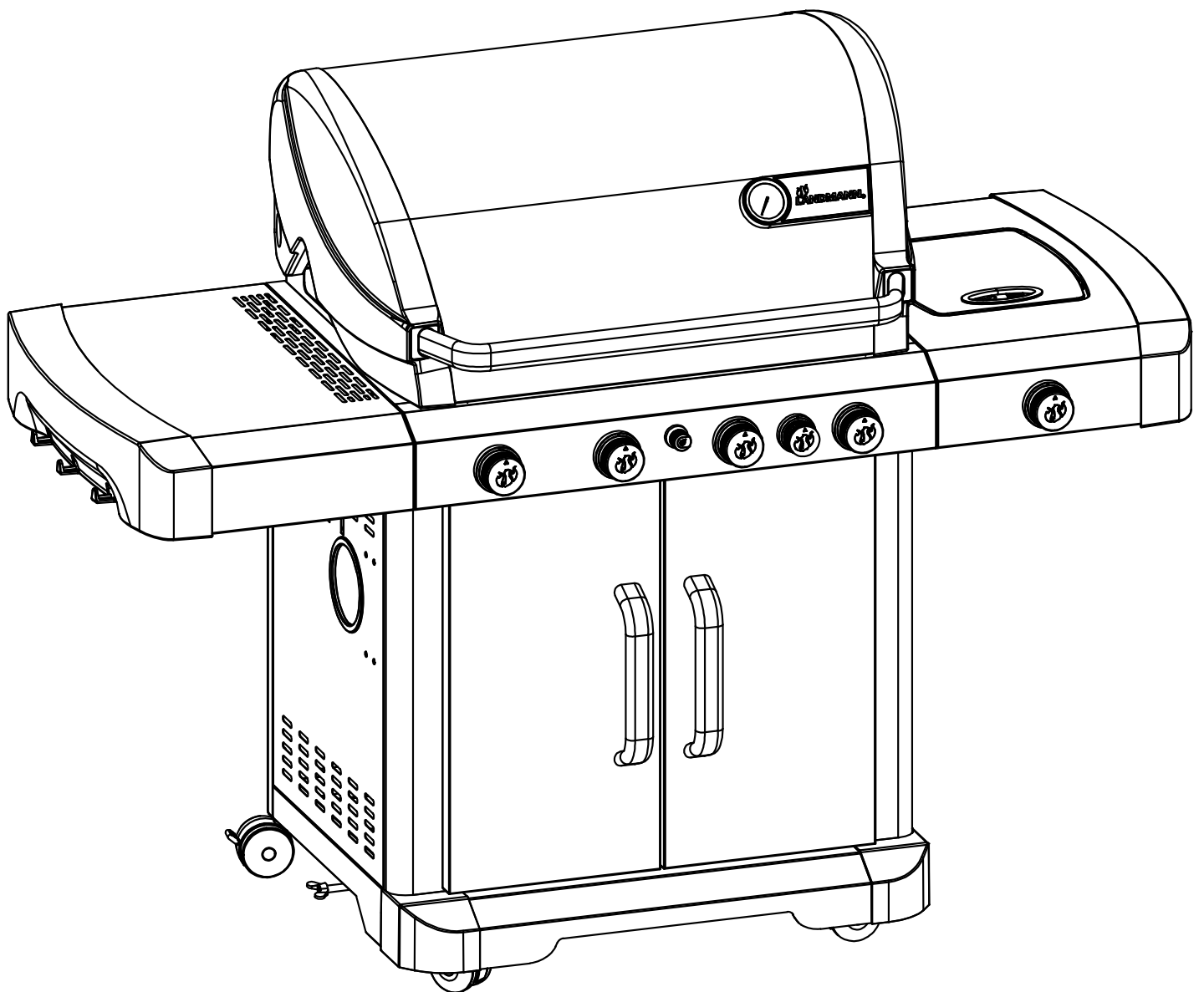


Instrucciones de montaje

35.



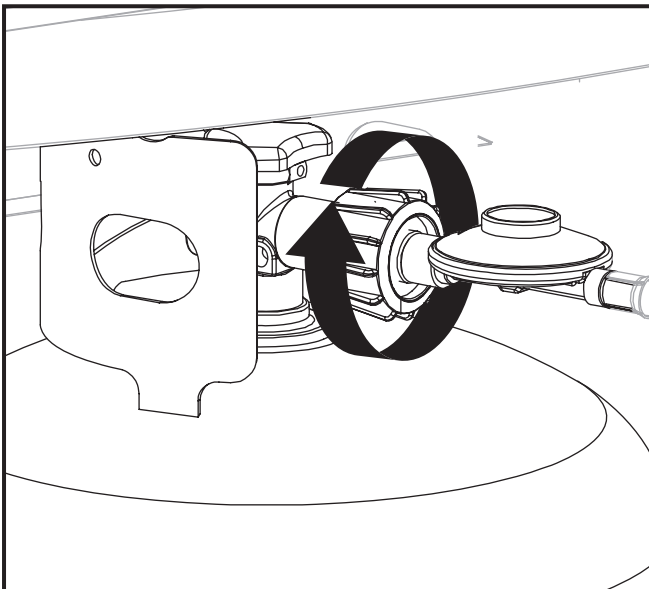
Instrucciones de montaje




Conexión de la bombona de gas

1. Coloque **SIEMPRE** la bombona de propano en el soporte interior del carro.
2. Confirme **SIEMPRE** que todos los mandos de control de quemadores están en OFF antes de activar la alimentación de gas.
3. Antes de la conexión, asegúrese de que no hay residuos acumulados en el cabezal de a bombona, en el cabezal de la válvula de regulación o en el cabezal de los quemadores y puertos de quemadores.
4. Conecte **SIEMPRE** el regulador de alimentación de gas como sigue: inserte la boquilla del acoplador de la válvula en la válvula de la bombona y apriete el collarín de conexión girándolo en sentido horario con una mano, mientras sujeta el regulador con la otra.
5. Desconecte la bombona de propano de la válvula reguladora cuando la parrilla no se esté usando.
6. **NO** obstruya el flujo de aire de combustión y ventilación a la parrilla.
7. Mantenga las aberturas de ventilación del recipiente de la bombona libres y sin residuos.

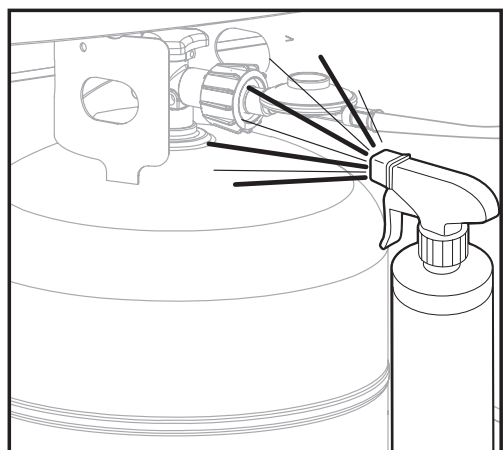
Asegúrese de que el dispositivo de conexión a la válvula de la bombona se ajuste adecuadamente y con seguridad con el dispositivo de conexión fijado en la entrada del regulador de presión.



 DANGER	<p>Para prevenir el peligro de explosión o incendio cuando se realice la prueba de fugas:</p> <ol style="list-style-type: none"> 1. Compruebe SIEMPRE posibles fugas antes de encender la parrilla y cada vez que se conecte la bombona para su uso. 2. NO fume ni permita otras fuentes de ignición en el área cuando esté comprobando una posible fuga. 3. Compruebe las posibles fugas en el exterior, en un área bien ventilada. 4. NO use cerillas, encendedores o una llama para comprobar si hay fugas. 5. NO use la parrilla hasta que se hayan solucionado todas las fugas. Si no puede detener una fuga, desconecte el suministro de gas propano, llame al servicio técnico de aparatos de gas o a su proveedor local de gas propano.
--	---

Control de fugas

1. Prepare unos 20 gramos de solución para fugas mezclando una parte de jabón líquido para lavavajillas con tres partes de agua.
2. Asegúrese de que el botón regulador esté en la posición **OFF**.
3. Rocíe parte de la solución en la válvula del tanque hasta la conexión de la válvula. (Véase diagrama abajo).
4. Observe la solución en las conexiones para ver si se han formado burbujas. Si no aparecen burbujas, la conexión es segura.
5. Si aparecen burbujas, significa que hay una fuga. Ir al paso 6.
6. Desconecte el regulador del tanque y vuélvalo a conectar. Asegúrese de que la conexión esté bien apretada y asegurada.
7. Vuelva a probar con la solución.
8. Si aparecen más burbujas, no use ni mueva la bombona de LP. Póngase en contacto con su proveedor de gas LP o con los bomberos.





Instrucciones de encendido del quemador principal

Antes del primer uso, es importante limpiar la parrilla con calor. Así se limpiarán las partes internas quemando cualquier residuo u olor del proceso de fabricación. Para llevar a cabo esta limpieza, ponga en funcionamiento la parrilla durante aprox. 15-20 minutos a la temperatura más alta con la tapa de cocción cerrada.


IMPORTANTE

Lea estas instrucciones antes de intentar encender la parrilla.

 WARNING	Si no se abre la tapa antes de la ignición se puede producir una pequeña explosión, lo que puede causar lesiones corporales graves o la muerte.
---	---

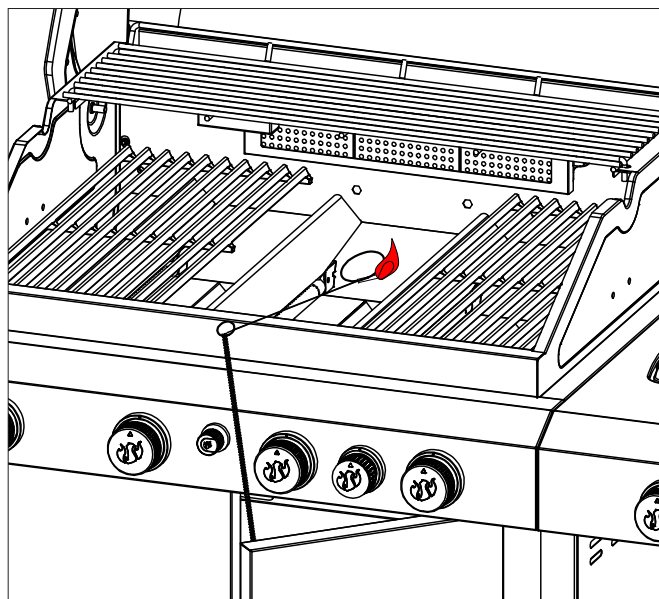
 WARNING	NO se incline sobre la parrilla abierta al encenderla.
---	---

1. Abra la tapa.
2. Asegúrese de que el botón regulador esté en la posición "● OFF".
3. Apague el suministro de gas.
4. Presione y gire cualquier botón regulador a la posición "Max". Pulse y mantenga presionado el botón de encendido del encendido por impulsos.
5. Si el quemador no se enciende, gire de inmediato el mando de nuevo a la posición "● OFF" y repita el paso 4 varias veces.
6. Si la ignición no se produce en 5 segundos, gire el botón regulador del quemador a la posición "● OFF", espere al menos cinco minutos para que se disipe el gas y repita el procedimiento del paso 4.

 WARNING	Si no se esperan los cinco minutos pertinentes se puede producir una pequeña explosión, lo que puede causar lesiones corporales graves o la muerte.
---	---

7. Gire el regulador a la posición de apagado y luego presione y gire el mando a la posición "● OFF".

Encendido con cerillas



Nota: Dentro del armario hay una herramienta para encender con cerillas.

1. Ponga todos los botones reguladores en la posición ● OFF.
2. Encienda la válvula de gas de la fuente de gas.
3. La tapa DEBE estar abierta cuando encienda la parrilla.
4. Extraiga la herramienta de encendido con cerillas y coloque una cerilla en su extremo.
5. Encienda la cerilla
6. Una vez encendido insértela por debajo de la parrilla.
7. Presione y gire el mando regulador del quemador más cercano a la cerilla a la posición " Max". El quemador debería encenderse de inmediato.
8. Ajuste el mando regulador a la temperatura deseada de cocción.

Uso del quemador de asado

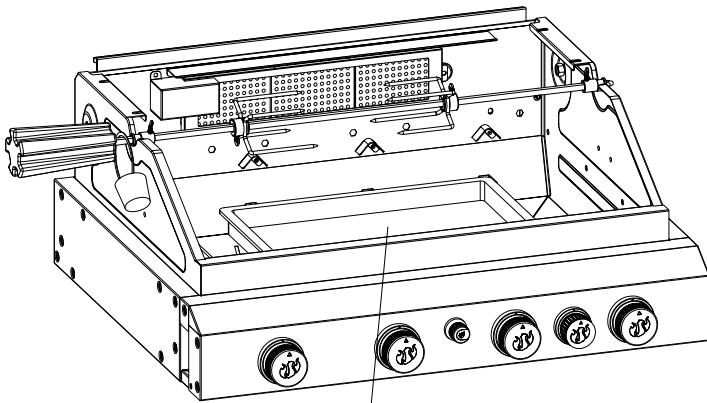
El quemador posterior infrarrojo de asado sirve para el asado lento de carnes y aves. El quemador de asado por infrarrojos irradia calor a la superficie exterior de los alimentos y permite su asado sin que gotee grasa en los quemadores calientes. Una cocción con el asador de infrarrojos requiere de 1^{1/2} a 4^{1/2} horas para cocinar dependiente del tamaño y tipo de carne aplicada.

Este quemador de asado está diseñado para utilizarse solo en cocción con el accesorio de asado giratorio compatible, que se vende por separado y puede adquirirse de su vendedor local.



Hay que extraer la parrilla de conservación de calor cuando se utilice el asador de infrarrojos.

Extraiga las parrillas de cocción y las chapas térmicas para disponer de suficiente espacio de giro. Coloque siempre una bandeja grande bajo la carne que vaya a asar para recoger la grasa y los goteos y evitar que ensucien y obstruyan los quemadores principales. La bandeja puede colocarse directamente encima de los quemadores principales.



Bandeja de borde alto

IMPORTANTE

Lea estas instrucciones antes de intentar encender la parrilla.



Si no se abre la tapa antes de la ignición se puede producir una pequeña explosión, lo que puede causar lesiones corporales graves o la muerte.



NO se incline sobre la parrilla abierta al encenderla.

1. Ponga todos los botones reguladores en la posición **OFF**.
2. Encienda la válvula de gas de la fuente de gas.
3. La tapa **DEBE** estar abierta cuando encienda la parrilla.
4. Extraiga la parrilla de conservación de calor

5. Presione y gire cualquier botón regulador a la posición **Max**. Pulse y mantenga presionado el botón de encendido del encendido por impulsos.
6. Si la ignición **NO** se produce en 5 segundos, gire el botón regulador del quemador a la posición **OFF**, espere al menos cinco minutos para que se disipe el gas y repita el procedimiento de encendido.

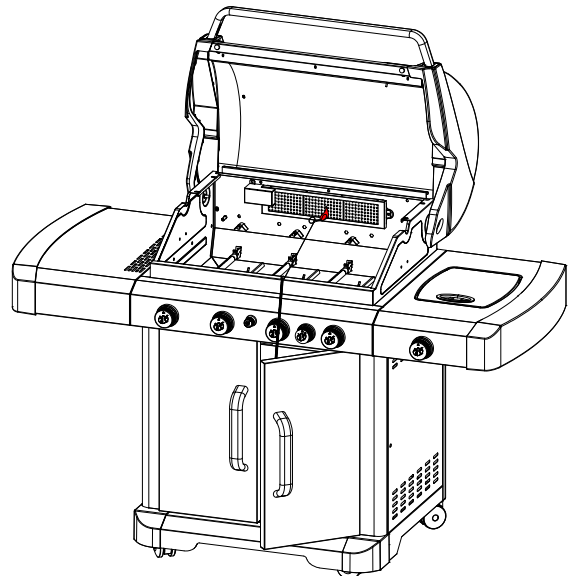


Si no se esperan los cinco minutos pertinentes se puede producir una pequeña explosión, lo que puede causar lesiones corporales graves o la muerte.

7. Gire el regulador a la posición de apagado y luego presione y gire el mando a la posición **OFF**.

Nota: Debido a que hay cierta distancia entre la válvula de gas y el quemador de asado, el encendido del quemador de asado puede tardar un poco hasta lograr que se encienda correctamente.

Encendido con cerillas



Nota: Dentro del armario está la herramienta para encender con cerillas.

1. Ponga todos los botones reguladores en la posición **OFF**.
2. Abra la válvula de gas de la fuente de gas.
3. La tapa **DEBE** estar abierta cuando encienda la parrilla.
4. Extraiga la parrilla de conservación de calor
5. Extraiga la herramienta de encendido con cerillas y coloque una cerilla en su extremo.
6. Encienda la cerilla
7. Una vez encendida, lleve la cerilla a la parte frontal que quemador de asado por infrarrojos.
8. Presione y gire cualquier botón regulador a la posición **Max**.
9. Ajuste el mando regulador a la temperatura deseada de cocción.

Cuidados y mantenimiento

Utilice las siguientes pautas para mantener su parrilla limpia y con un aspecto nuevo. Antes de cualquier limpieza, asegúrese de que el botón regulador esté en la posición **• OFF** y la parrilla esté fría.

Limpieza de la parrilla por fuera

En superficies pintadas, limpie a fondo con una solución de agua caliente y detergente. Aclare con agua y deje que se seque por completo.

Para superficies de acero inoxidable, utilice un limpiador de acero inoxidable de buena calidad.

- Al limpiar, frote siempre en la dirección del grano del acero inoxidable.
- En caso de manchas persistentes, frote siempre en la dirección del grano del acero inoxidable.
- **NO** limpie el acero inoxidable con ningún producto que contenga ácido, alcoholes minerales o xileno.
- **NO** utilice un cepillo de alambres ni ningún limpiador abrasivo sobre superficies de acero inoxidable ya que rayará el acabado brillante del acero.

Limpieza de la parrilla por dentro

Por motivos de seguridad y eficacia, es importante eliminar cualquier residuo o exceso de grasa que pueda acumularse dentro de la parrilla.



Si utiliza un cepillo de cerdas para limpiar las superficies de cocción, asegúrese de que no queden cerdas sueltas en la superficie de cocción, ya que pueden adherirse a los alimentos.



No permita que goteos o residuos de comida permanezcan en las chapas térmicas o en la bandeja recogegrasas. Limpie regularmente para asegurar un buen rendimiento de cocción.

- Limpie el revestimiento interior de la tapa con papel de cocina para evitar que se acumule grasa.
- Para las chapas térmicas de acero inoxidable, limpie los residuos con un cepillo de alambre o un rascador plano.
- Quite la bandeja recogegrasas y vacíela en un recipiente adecuado. Pase después un papel de cocina para eliminar el exceso de grasa.
- Extraiga la bandeja de grasas del grill y limpie todos los residuos con un cepillo de alambre o espátula plana, luego limpie con papel de cocina para eliminar el exceso de grasa.



NO coloque papel de aluminio ni en el fogón ni en la bandeja recogegrasas.

Bandeja recogegrasas

La bandeja recogegrasas está situada debajo de la parrilla y debería limpiarse tras cada uso para evitar la acumulación de restos.

Nota: Deje que la bandeja recogegrasas se enfríe antes de limpiarla.

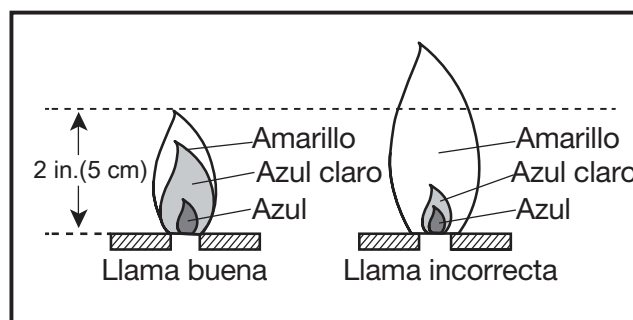
Comprobación de la manguera

La manguera debe inspeccionarse periódicamente por si mostrara grietas, dobleces, cortes o abrasiones.

- Si la manguera presentara alguno de estos defectos, **NO** utilice el grill.
- Deberá sustituirse la manguera por otra certificada según se indica en la sección de piezas de recambio.

Control de fugas

La llama que sale de los quemadores debe tener una combinación de color azul/amarillo y medir entre una y dos pulgadas de alto (ver abajo).



Quitar el quemador

Asegúrese de que todos los mandos de quemadores están en posición OFF, que ha cerrado la válvula de suministro de gas y que la manguera está desconectada de la bombona de gas.

1. Abra la tapa de la parrilla y quite la parrilla de conservación de calor, las rejillas para asar y las chapas térmicas.
2. Afloje el tornillo que sujeta el quemador en la parte posterior del grill con un destornillador Phillips 2 pt. **Nota:** Se trata de una combinación de tornillo y tuerca, así que asegúrese de sujetar la tuerca mientras quita el tornillo.
3. Deslice el quemador hacia delante y extráigalo del fogón.
4. Desatornille el electrodo y cable del quemador.

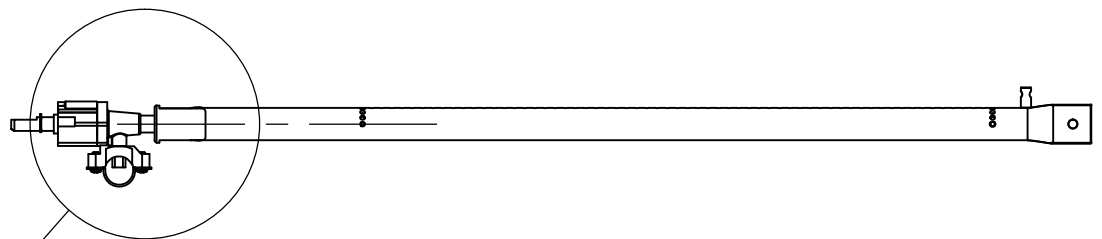
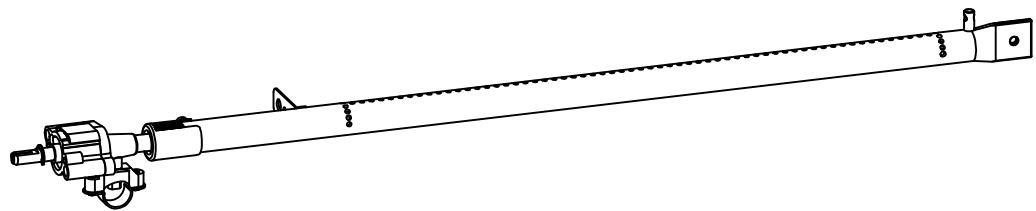
Limpiar el quemador

- Asegúrese de que todos los orificios del quemador estén libres de obstrucciones; **CONSEJO:** utilice una aguja o clip para desatascarlo.
- Asegúrese de que el quemador no esté dañado. Si encuentra algún daño, reemplace el quemador.
- Asegúrese de que el extremo del quemador y la rejilla de aire primario estén limpios de nidos de insectos, suciedad o restos.

Cuidados y mantenimiento

Para recolocar el quemador

1. Asegúrese de que los orificios de la válvula de gas están correctamente situados dentro de la entrada del quemador.
2. Vuelva a conectar el electrodo y el cable al quemador.
3. Coloque y apriete la combinación de tornillo y tuerca.
4. Vuelva a colocar las chapas térmicas, parrillas de cocción y parrilla de conservación de calor.



Alineación adecuada de los orificios de la válvula de gas dentro de la entrada del quemador.

Métodos de cocción y consejos para asar a la parrilla

Calor directo

Cocinar con calor directo significa que los alimentos están situados sobre las parrillas, directamente encima de los quemadores encendidos.

- La posición de la tapa puede ser abierta o cerrada.
- Si la tapa está abierta, el tiempo de cocción será normalmente mayor.
- El calor directo se utiliza para cerrar los poros de los alimentos y conservar sus jugos naturales cocinando con calor intenso y durante poco tiempo. El exterior queda dorado con un sabroso sabor de barbacoa.


Antes de asar a la parrilla

- Asegúrese de que los alimentos estén completamente descongelados antes de asar.
- Con la tapa de la parrilla cerrada, caliente la parrilla a fuego alto durante 5-10 minutos.
- **NO** levante la tapa durante el proceso de precalentamiento.
- El proceso de precalentamiento a fuego alto es necesario para dorar y adherir los jugos del alimento.
- Para la carne de ave y carne con alto contenido de grasa, recorte el exceso de grasa de las carnes y acorte el tiempo de precalentamiento. Ambos ayudarán a reducir las chispas de grasa que gotean.
- Engrase ligeramente las rejillas para asar cuando cocine carne, pescado o aves de corral con poca grasa. Tenga en cuenta que el uso de demasiado aceite puede causar que se deposite una ceniza gris en los alimentos.

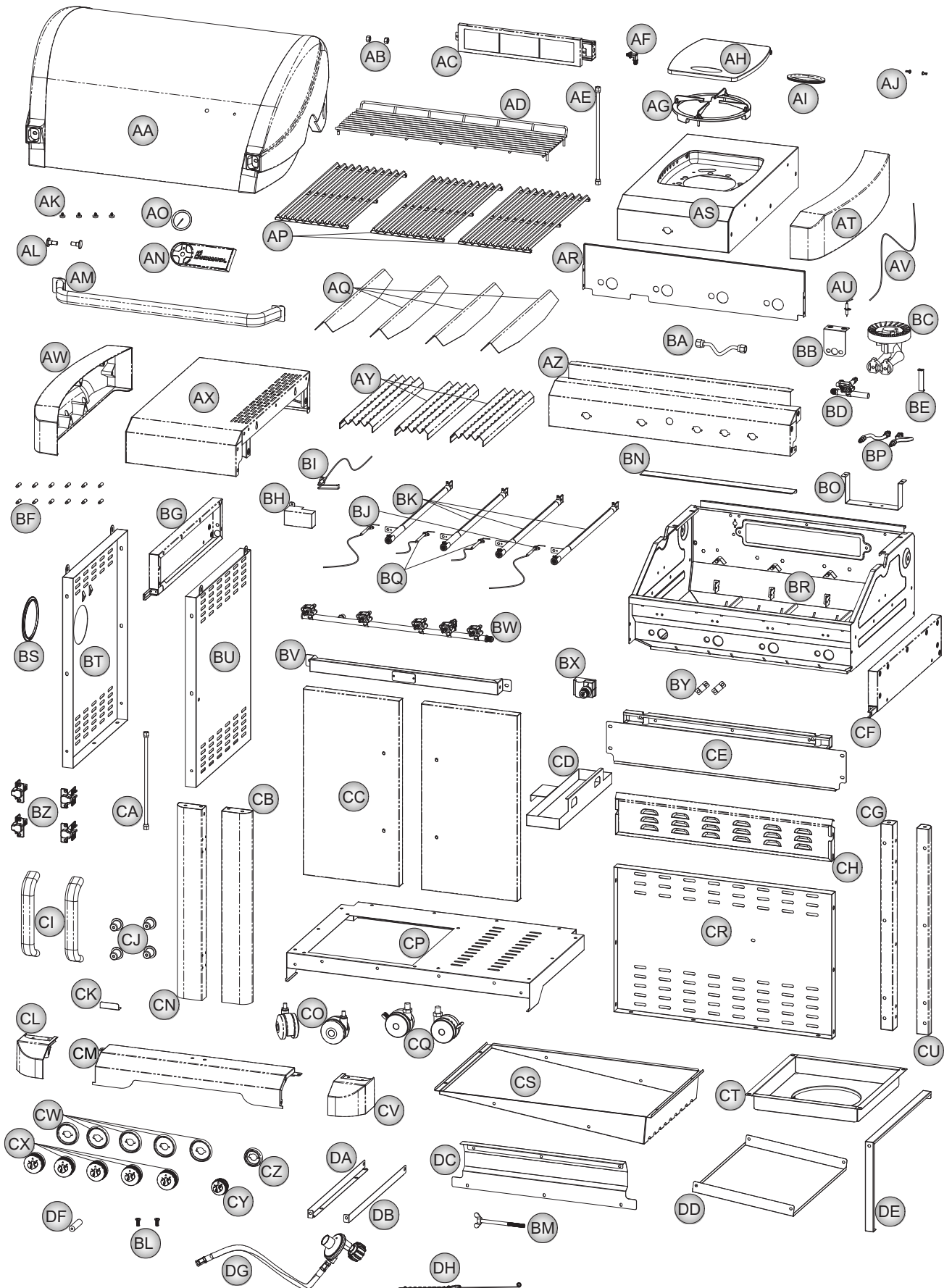
Mientras se asa a la parrilla

- El indicador de temperatura de la tapa indica la temperatura de cocción dentro de la parrilla.
- Dele la vuelta a los alimentos sólo una vez si es posible. Los jugos se pierden al dar la vuelta a la carne varias veces.
- Dele la vuelta a la carne sólo cuando los jugos empiecen a aparecer en la superficie.
- Evite pinchar o cortar la carne para comprobar la cocción. Esto hace que los jugos se evaporen.
- Añada salsa de barbacoa sólo durante los últimos 10 minutos de cocción para evitar quemar la salsa.
- La cocción de la carne se controlará según el tipo de carne, el tamaño, la forma y el grosor de la carne, el proceso o método de asado y la duración del tiempo en la parrilla.
- El tiempo de cocción será más largo con la tapa de la parrilla abierta.
- Deje más tiempo de cocción en días fríos y ventosos, o a mayor altitud. A la inversa, deje menos tiempo de cocción en climas extremadamente calurosos.
- Las condiciones de asado a la parrilla pueden requerir ajustes de los quemadores para obtener y mantener las temperaturas de asado correctas.
- Use pinzas para voltear y manipular la carne en lugar de un tenedor, para evitar perder los jugos de la carne.
- Si se producen llamas, gire el botón regulador a la posición “● **OFF**” y mueva el alimento a otra área de la rejilla. Una vez apagadas las llamas, vuelva a encender los quemadores usando las instrucciones de encendido de este manual.
- **NUNCA** use agua para apagar las llamas en una parrilla de gas.

Solución de problemas

Problema	Causa	Solución
La parrilla no se enciende.	<ol style="list-style-type: none"> 1. La válvula en la bombona de gas está cerrada. 2. El nivel de gas de la bombona de propano es bajo. 3. Al pulsar el botón de encendido electrónico no se escucha ningún clic de funcionamiento. 4. Puede ser necesario encender con cerillas. 5. Los electrodos pueden estar mojados. 6. Hay suciedad bloqueando los electrodos. 7. No hay chispas en la punta del electrodo. 	<ol style="list-style-type: none"> 1. Abra la válvula en la bombona de gas. 2. Reemplace la bombona de propano. 3. Asegúrese de que la pila está correctamente instalada con el polo + hacia fuera. Sustituya la pila si fuera necesario 4. Encienda la parrilla con cerillas conforme a este manual de instrucciones. 5. Seque los electrodos con un paño seco. 6. Limpie los electrodos con alcohol y vuelva a probar. 7. Sustituya el electrodo.
La llama no permanece encendida.	<ol style="list-style-type: none"> 1. La válvula en la bombona de gas está cerrada. 2. El nivel de gas de la bombona de propano es bajo. 3. El quemador no está instalado correctamente o está sucio. 	<ol style="list-style-type: none"> 1. Abra la válvula en la bombona de gas. 2. Reemplace la bombona de propano. 3. Vuelva a instalar el quemador correctamente y limpie cualquier resto.
La llama está baja, es irregular o hace ruido.	<ol style="list-style-type: none"> 1. El nivel de gas de la bombona de propano es bajo. 2. Procedimiento de encendido inadecuado. 3. Puede que los orificios del quemador estén atascados. 4. La manguera de gas puede estar doblada o enganchada. 5. Puede que la parrilla esté en un área con demasiado viento. 6. Hay obstrucciones como restos de grasa o insectos en las entradas de aire.. 	<ol style="list-style-type: none"> 1. Reemplace la bombona de propano. 2. Desconecte el regulador de gas de la bombona, vuelva a instalarlo y siga los procedimientos de encendido tal y como se indican. 3. Si solo se ve afectado un quemador, extráigalo y limpie los puertos del quemador. 4. Enderece la manguera de gas. 5. Espere hasta que el viento se calme antes de seguir. 6. Limpie las entradas de aire del quemador para desatascarlas.
Exceso de chispas con llama  CAUTION NO rocíe agua sobre las llamas de gas, ya que podría dañar la parrilla.	<ol style="list-style-type: none"> 1. El chisporroteo lo causa normalmente un exceso de grasa en la carne que se está asando. 2. La parrilla está sucia. 3. Puede que la temperatura de cocción sea excesiva. 4. La tapa está cerrada. 5. La comida se ha asado demasiado o se ha quemado. 6. El fogón y la bandeja recoge grasas están llenos de grasa. 	<ol style="list-style-type: none"> 1. Recorte la grasa de la carne que se esté asando. 2. Asegúrese de que la parrilla esté limpia. 3. Mantenga la llama baja o apague uno de los quemadores. 4. Mantenga la tapa abierta cuando esté asando para evitar el exceso de chispas. 5. Desplace los alimentos a otro lugar de la parrilla hasta que se apaguen las llamas. 6. Limpie el fogón y las bandejas recoge grasas.
La parrilla no se calienta lo suficiente.	<ol style="list-style-type: none"> 1. El nivel de gas de la bombona de propano es bajo. 2. Puede haberse activado el dispositivo limitador de flujo de gas. 	<ol style="list-style-type: none"> 1. Reemplace o rellene la bombona de propano. 2. Pase a OFF los mandos de quemadores y la válvula de la bombona de gas. Desconecte el regulador de la bombona. Inspeccione y limpie las juntas y el conector del regulador. Espere 1 minuto. Reconecte el regulador y realice el test de fugas. Encienda el grill siguiente exactamente la secuencia de encendido.

Piezas de repuesto



Piezas de repuesto


Pieza	Descripción	Cantidad	Pieza #
AA	Tapa de parrilla	1	AV0073
AB	Tuerca de cierre	2	AV0002
AC	Quemador de asado	1	AV0074
AD	Parrilla de conservación de calor	1	AV0075
AE	Manguera de gas del quemador de asado	1	AV0076
AF	Codo y orificio de gas del quemador de asado	1	AV0077
AG	Parrilla del quemador lateral	1	AV0004
AH	Tapa del quemador lateral	1	AV0005
AI	Asa de la tapa del quemador lateral	1	AV0006
AJ	Conjunto de bisagras del quemador lateral	2	AV0007
AK	Topes de goma	4	PF0001
AL	Bisagra de la tapa	2	AV0008
AM	Mango de tapa	1	AV0078
AN	Placa de logotipo	1	AV0010
AO	Medidor de temperatura 2,5"	1	AV0011
AP	Parrilla de cocción pequeña	3	AV0014
AQ	Chapas térmicas	4	AV0013
AR	Escudo térmico frontal	1	AV0079
AS	Bandeja del quemador lateral	1	AV0016
AT	Tope final bandeja del quemador lateral	1	AV0017
AU	Electrodo del quemador lateral	1	AV0018
AV	Cable del electrodo del quemador lateral	1	AV0019
AW	Tope final izquierdo bandeja lateral	1	AV0020
AX	Bandeja lateral izquierda	1	AV0021
AY	Escudo térmico inferior	3	AV0022
AZ	Panel de control	1	AV0080
BA	Manguera flexible de gas	1	AV0024
BB	Escuadra A quemador lateral	1	AV0025
BC	Quemador lateral	1	AV0026
BD	Conjunto manguito y válvula quemador lateral	1	AV0027
BE	Escuadra B quemador lateral	1	AV0028
BF	Pasador de soporte	12	AV0029
BG	Cubierta izquierda del fogón	1	AV0030
BH	Cubierta de electrodo de quemador de asado	1	AV0081
BI	Electrodo y cable de quemador de asado	1	AV0082
BJ	Electrodo y cable de quemador principal 450 mm	2	AV0035
BK	Conjunto de quemador principal	4	AV0032
BL	Tornillo (M6x16)	2	AV0033
BM	Tornillo bombona de gas	1	AV0034
BN	Escudo de quemador de asado	1	AV0083
BO	Escuadra C quemador lateral	1	AV0037
BP	Manguera de gas quemador lateral	2	AV0038
BQ	Electrodo y cable de quemador principal 250 mm	2	AV0031
BR	Caja de combustión	1	AV0084
BS	Arandela panel lateral del carro	1	AV0039
BT	Panel lateral izquierdo del carro	1	AV0040

Piezas de repuesto

Pieza	Descripción	Cantidad	Pieza #
BU	Panel lateral derecho del carro	1	AV0041
BV	Refuerzo superior transversal del carro	1	AV0085
BW	Conjunto manguito y válvula	1	AV0086
BX	Encendedor electrónico	1	AV0087
BY	Brida	2	AV0045
BZ	Bisagra de puerta	4	AV0046
CA	Manguera flexible de gas	1	AV0047
CB	Pata frontal derecha del carro	1	AV0048
CC	Puerta de carro	2	AV0088
CD	Bandeja recoge grasas	1	AV0050
CE	Cubierta posterior del fogón	1	AV0089
CF	Cubierta derecha del fogón	1	AV0052
CG	Pata izquierda trasera del carro	1	AV0053
CH	Puerta de bandeja recoge grasas	1	AV0090
CI	Asa de puerta de carro	2	AV0055
CJ	Manguitos asa de puerta	4	AV0056
CK	Tope de base de puerta de carro	1	AV0091
CL	Base de carro frontal izquierda	1	AV0057
CM	Base de carro frontal central	1	AV0092
CN	Pata izquierda delantera de carro	1	AV0059
CO	Rueda de giro libre	2	PC0003
CP	Panel base carrito	1	AV0093
CQ	Rueda con bloqueo	2	PC0005
CR	Panel trasero del carro	1	AV0094
CS	Bandeja recoge grasas	1	AV0095
CT	Bandeja de bombona	1	AV0066
CU	Para derecha trasera de carro	1	AV0062
CV	Base frontal derecha del carro	1	AV0064
CW	Montura del botón regulador	5	PC0146
CX	Botón regulador	5	AV0063
CY	Mando del quemador de asado	1	AV0096
CZ	Montura del mando regulador del quemador de asado	1	AV0097
DA	Soporte izquierdo bandeja recoge grasas	1	AV0067
DB	Soporte derecho de la bandeja recoge grasas	1	AV0068
DC	Tapa del quemador de asado	1	AV0098
DD	Escudo térmico de bandeja de grasas	1	AV0070
DE	Barra bombona A	1	AV0099
DF	Pila AA	1	AV0069
DG	Manguera y regulador para propano	1	PC0118
DH	Herramienta y cadena de encendedor	1	PC0156
Piezas no mostradas			
	Manual de instrucciones	1	AV0119
	Paquete de hardware	1	AV0120

Conversión de gas natural

Advertencias de seguridad para la instalación
El kit de conversión a gas natural (parte # 42306) se vende por separado y está disponible a través de su distribuidor local.

 WARNING	<p>Este grill está diseñado para gas natural a presión de 7 pulgadas de columna de agua. Compruebe la presión de alimentación con su compañía de gas natural. Si la presión de suministro es distinta, contacte con un lampista certificado para obtener ayuda. Una vez convertida la instalación para uso con gas natural, no utilice más bombonas de propano.</p>
---	---

La instalación del grill debe cumplir las normativas locales o, en ausencia de éstas, lo establecido en el **National Fuel Gas code, NFPA. 54/ANSI Z223.1**. El grill no se utilizará en vehículos y/o barcos de uso recreativo.

Todos los accesorios eléctricos (vendido aparte como el asador) deben estar conectados a masa de acuerdo con la normativa local o con el **National Electrical Code, ANSI/NFPA 70**. Todos los cables eléctricos y/o alimentadores de combustible deben mantenerse lejos de superficies calientes.

Esta barbacoa posee certificado de seguridad para uso en los Estados Unidos y Canadá únicamente.

Las conexiones de gas natural y los reguladores de servicio por encima de 1/2 psi.

Antes de 1998, todos los reguladores de servicio de gas residual se fijaron para presiones exteriores de 7 pulgadas en columna de agua.

En la edición de 1998 de la NFPA54, el National Fuel Gas Code, se hizo un cambio para permitir reguladores de 2 y 5 psi.


Con este cambio se requería también que el regulador de línea se conectara entre el regulador de servicio y el dispositivo regulador i se utilizaba sistema de 2 o 5 psi. Este regulador adicional no se suministra con el producto.

El usuario puede realizar personalmente o con ayuda de un especialista una conexión a línea de 2 o 5 psi. Si el dispositivo recibe en su regulador una presión de 2 o más psi, en ciertos grills se bloqueará el sistema y no llegará gas a la parrilla. Otros problemas son si utiliza un adaptador de conexión rápida y una manguera originalmente pensados para 1/2 psi.

Si el adaptador de conexión rápida, la manguera y la parrilla están debidamente conectadas y no reciben gas, habrá que verificar la presión suministrada. Si la presión es superior a 1/2 psi, asegúrese de que hay un regulador en línea presente.

Una vez sometido el grill a una sobrepresión, el regulador puede haber quedado dañado.

Lo mejor en estos casos es sustituir el regulador.

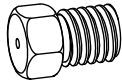
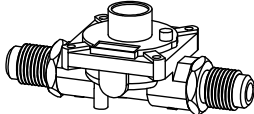
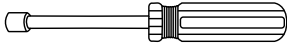
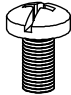
 WARNING	<p>La conexión incorrecta puede producir fugas de gas con peligro de incendio.</p>
---	--

 WARNING	<p>Solo para uso residencial. No utilizar para fines comerciales.</p>
---	--

Conversión de gas natural

Lista de piezas/diagrama

El kit de conversión a gas natural (parte # 42306) se vende por separado y está disponible a través de su distribuidor local.

	<p>Orificios para gas natural 7 unidad</p>
	<p>regulador de gas natural 1 unidad</p>
	<p>Herramienta de extracción de orificio 1 unidad</p>
	<p>Tornillo M4x8 2 unidades</p>
	<p>42304 Etiqueta de identificación de GN 1 unidad</p>

ADVERTENCIAS & PRECAUCIONES:



1. Sólo PARA USO EN EXTERIORES.

2. Cierre el suministro de NG en la tubería cuando el aparato no esté en uso.
3. Únicamente se debe utilizar el regulador de presión de gas suministrado con este aparato.
4. Este regulador está ajustado para una presión de salida de 4" W.C.
5. Si la información de arriba no se sigue exactamente, puede producirse un incendio que cause la muerte o lesiones graves.
6. Distancia mínima desde el lado y parte posterior de la unidad hasta la construcción inflamable: 24" (609 mm) desde los lados y 24" (609 mm) desde la parte posterior.

Conversión de gas natural

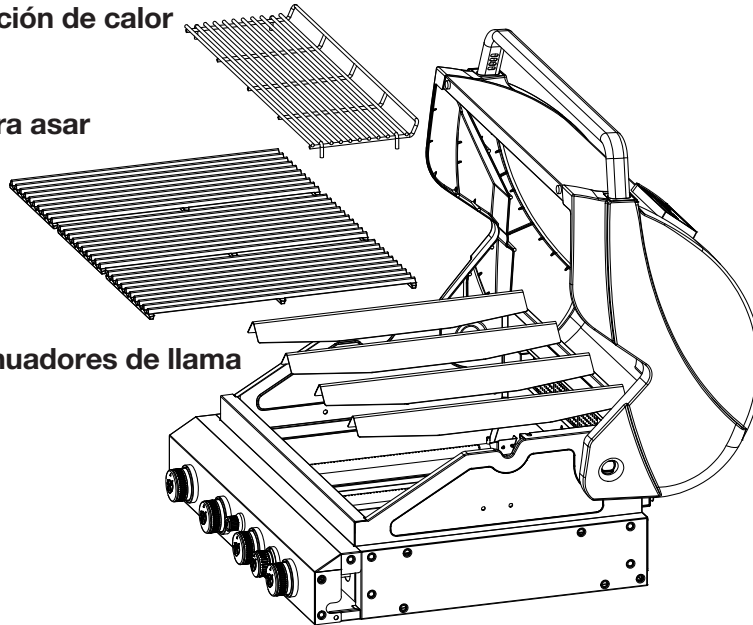
Paso 1

- Asegúrese primero de que todos los mandos de quemadores están en posición OFF, que ha cerrado la válvula de suministro de gas y que la bombona está desconectada del regulador y apartada del grill.
- Luego abra la tapa y extraiga la parrilla de conservación de calor, las rejillas de asado y los atenuadores de llama.

Parrilla de conservación de calor

Rejillas para asar

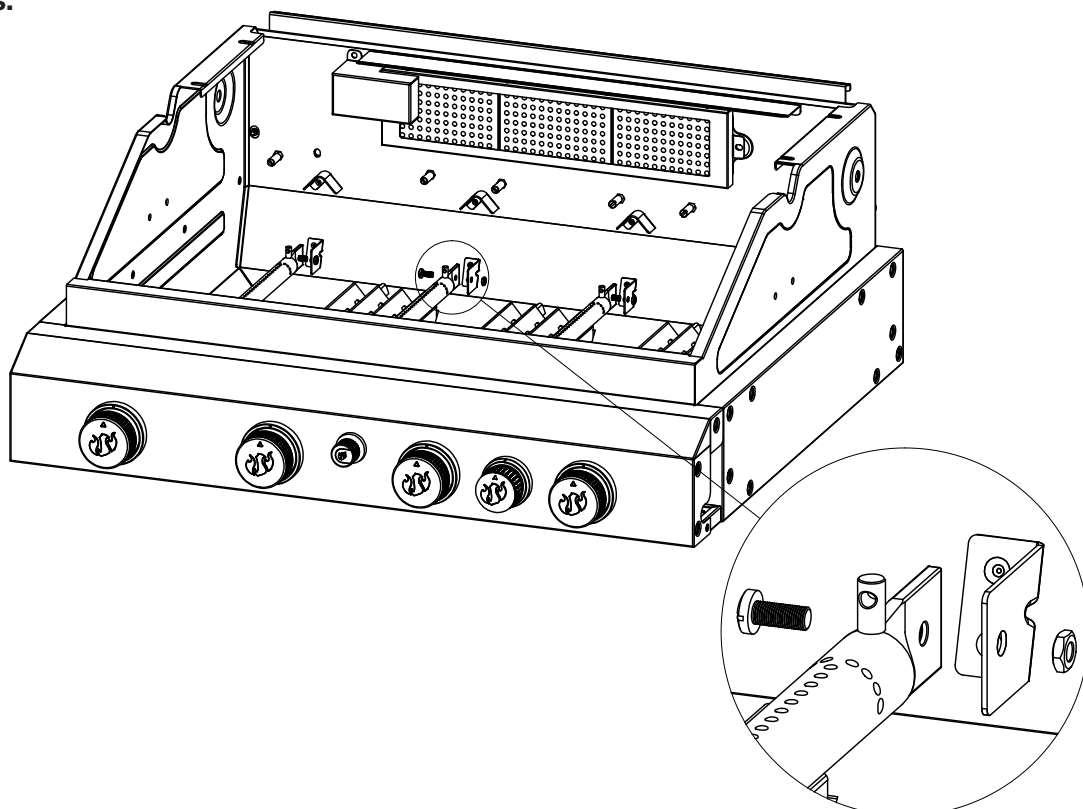
Atenuadores de llama



Paso 2

- Extraiga los tornillos y las tuercas de los quemadores con un destornillador adecuado y una llave inglesa. Extraiga luego los quemadores de los orificios de las válvulas de gas.

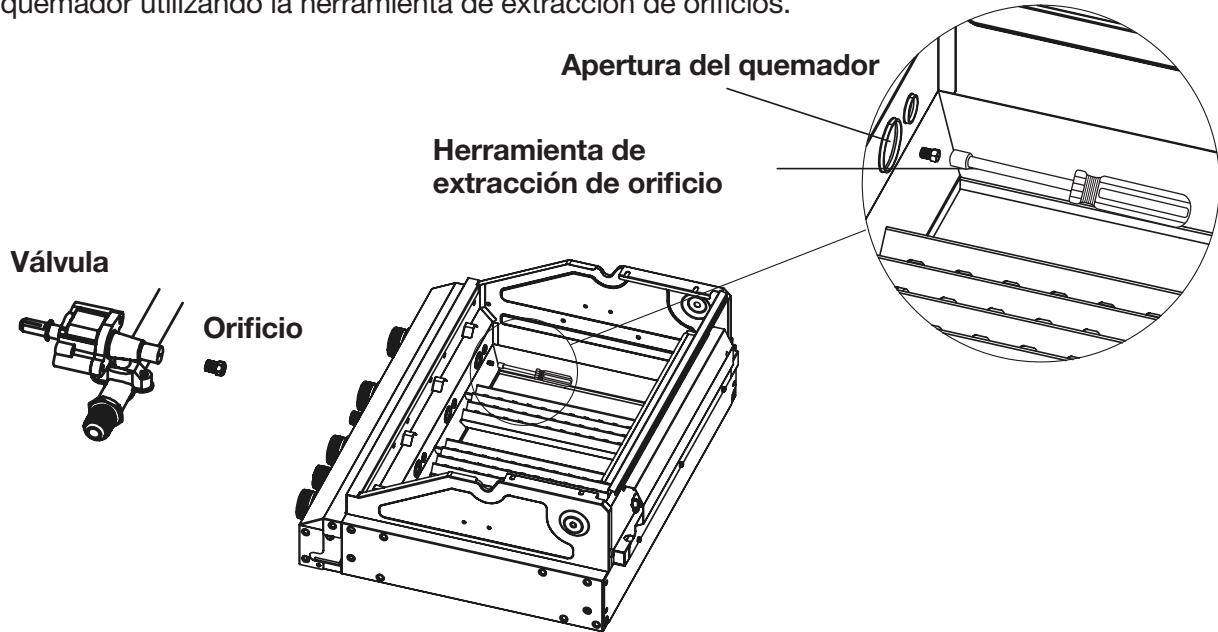
Nota: Los quemadores pueden quedar dentro de la caja de combustión con los cables de encendido conectados.



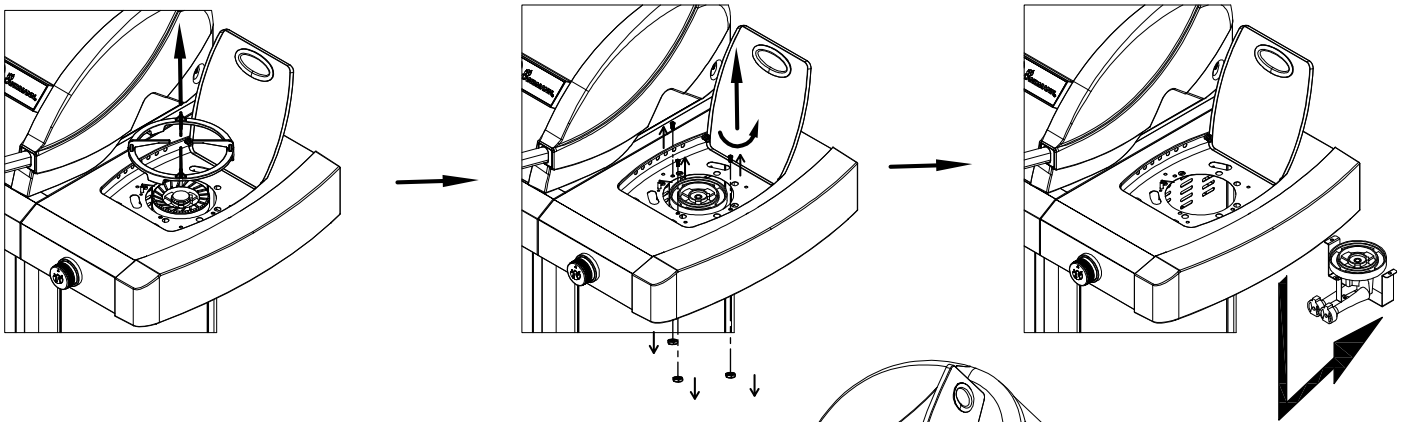
Conversión de gas natural

Paso 3

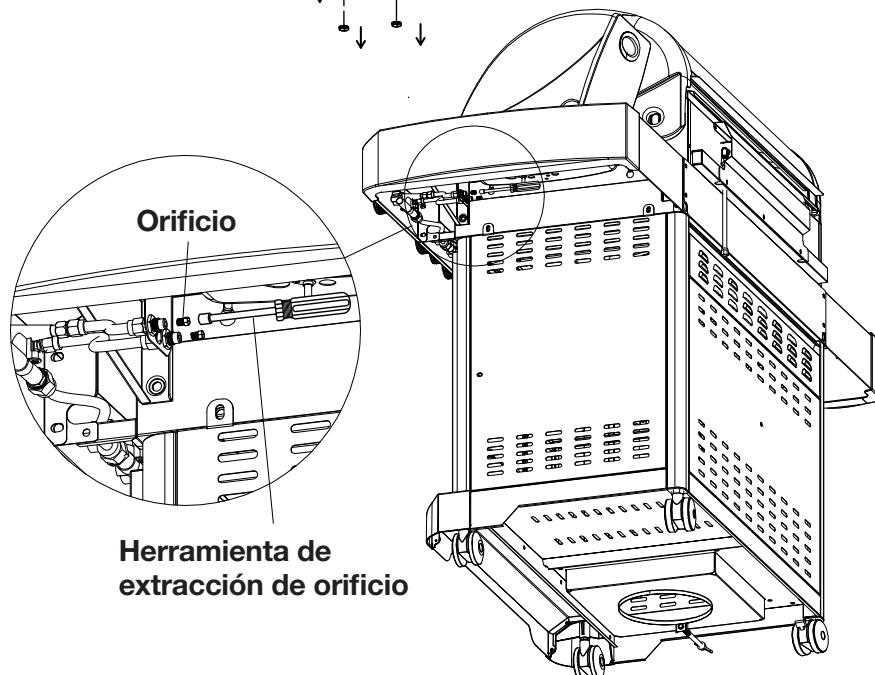
- Inserte la herramienta de extracción de orificios en la apertura del quemador de la caja de combustión y desatornille los orificios del quemador principal de los extremos de las válvulas. Guarde los orificios extraídos para uso posterior si vuelve a convertir el sistema a gas propano. Use la Tabla de Referencia de Orificios de Quemador en la parte inferior de la página 147 para instalar los orificios para GN correctos en cada quemador utilizando la herramienta de extracción de orificios.



Paso 4

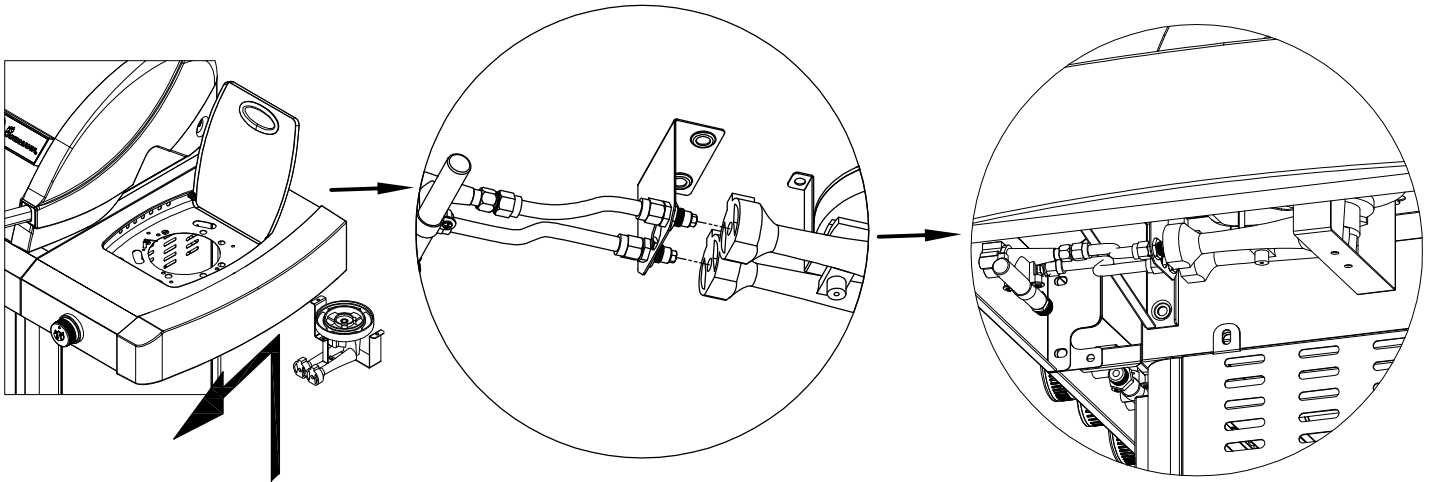


Paso 5



Conversión de gas natural

Paso 6



Paso 7

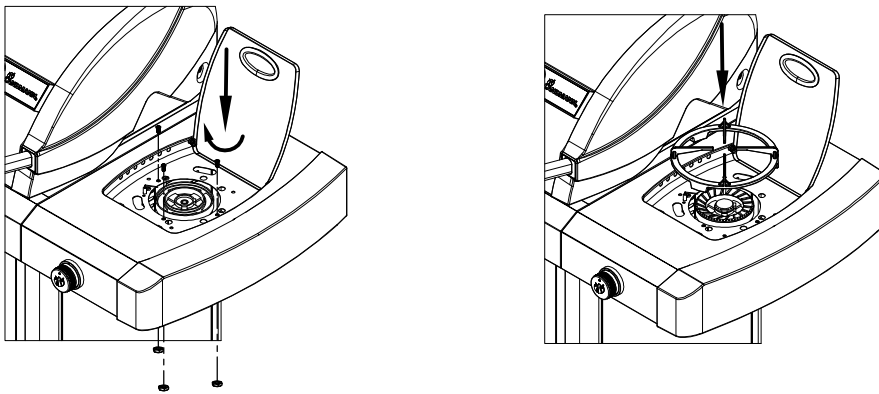
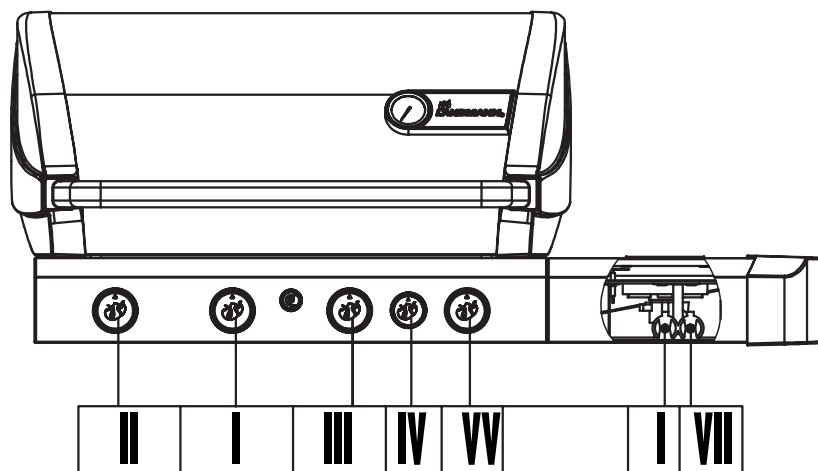


Tabla de referencia de orificios de quemador



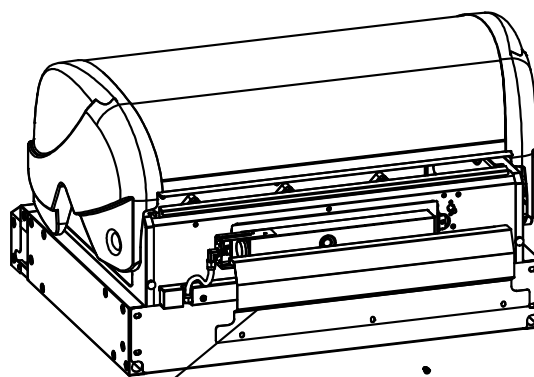
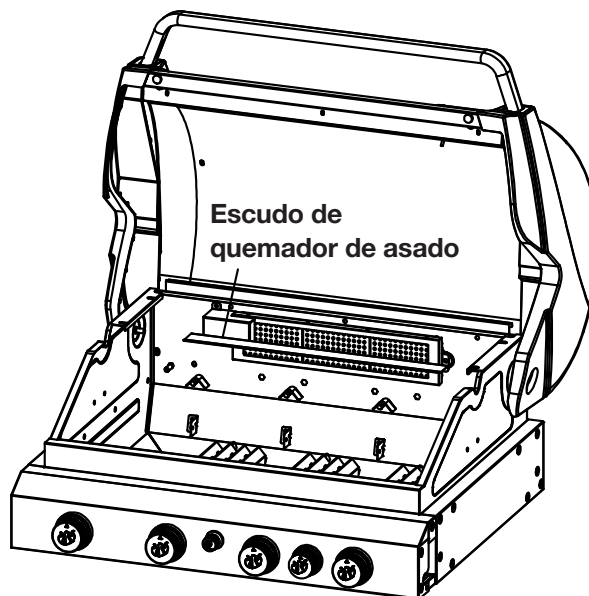
Modelo	Quemador #	I	II	III	IV	V	VI	VII
42301	Tamaño orificio (propano) (mm)	Ø 0,93	Ø 0,89	Ø 0,89	Ø 1,02	Ø 0,93	Ø 1,12	Ø 0,69
42304	Tamaño orificio (gas natural) (mm)	Ø 1,49	Ø 1,41	Ø 1,41	Ø 1,75	Ø 1,49	Ø 2,15	Ø 1,15

Los tamaños de los orificios están estampados en el extremo de los orificios.

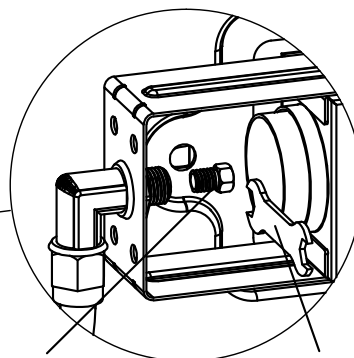
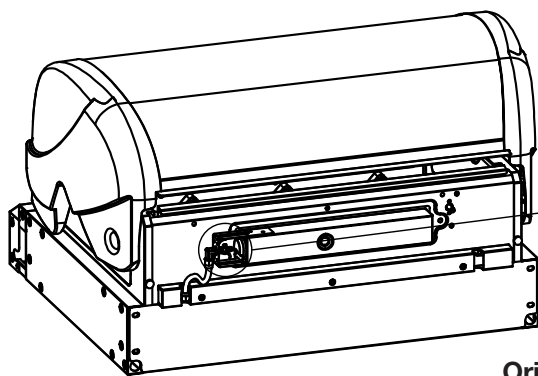
Conversión de gas natural

Paso 8

- Utilice un destornillador Phillips para extraer el escudo del quemador de asado y la tapa del mismo.
- Extraiga el orificio del quemador de asado con una llave de 7 mm
- Instale un orificio para gas natural
- Instale la tapa del quemador de asado. No vuelva a instalar el escudo del quemador de asado



Tapa del quemador de asado



Orificio del quemador de infrarrojos

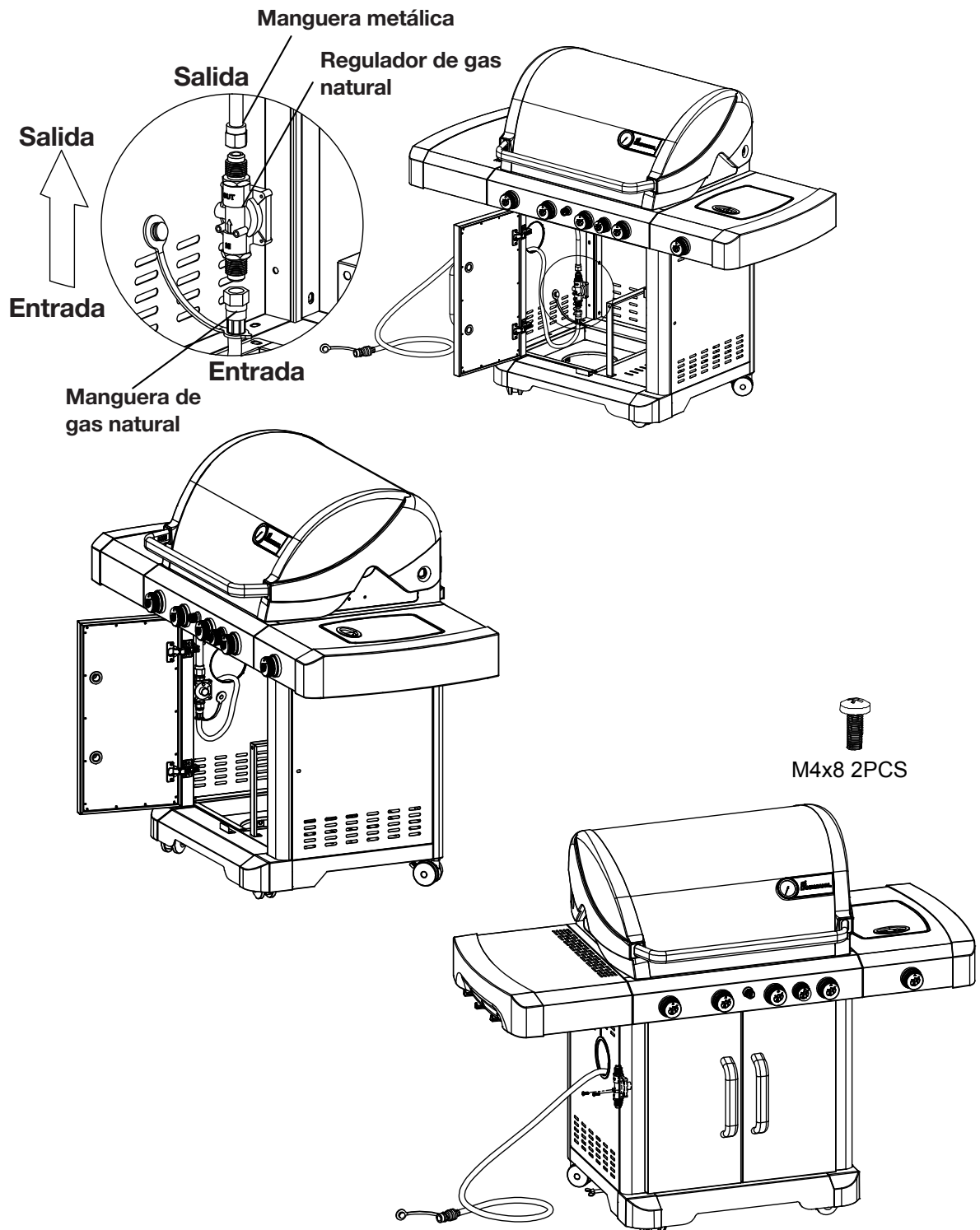
Llave de 7 mm

Conversión de gas natural

Paso 9

- Retire la manguera de LP y el regulador y el conector de la manguera de metal.
- Conecte el regulador de gas natural a la manguera metálica
- Conecte la manguera de gas natural al regulador de gas natural
- Fije el regulador de gas natural
- Fije el regulador de gas natural al panel izquierdo del carrito con dos tornillos M4x8

Asegúrese de que los extremos "In" y "Out" del regulador de gas natural están en dirección correcta.



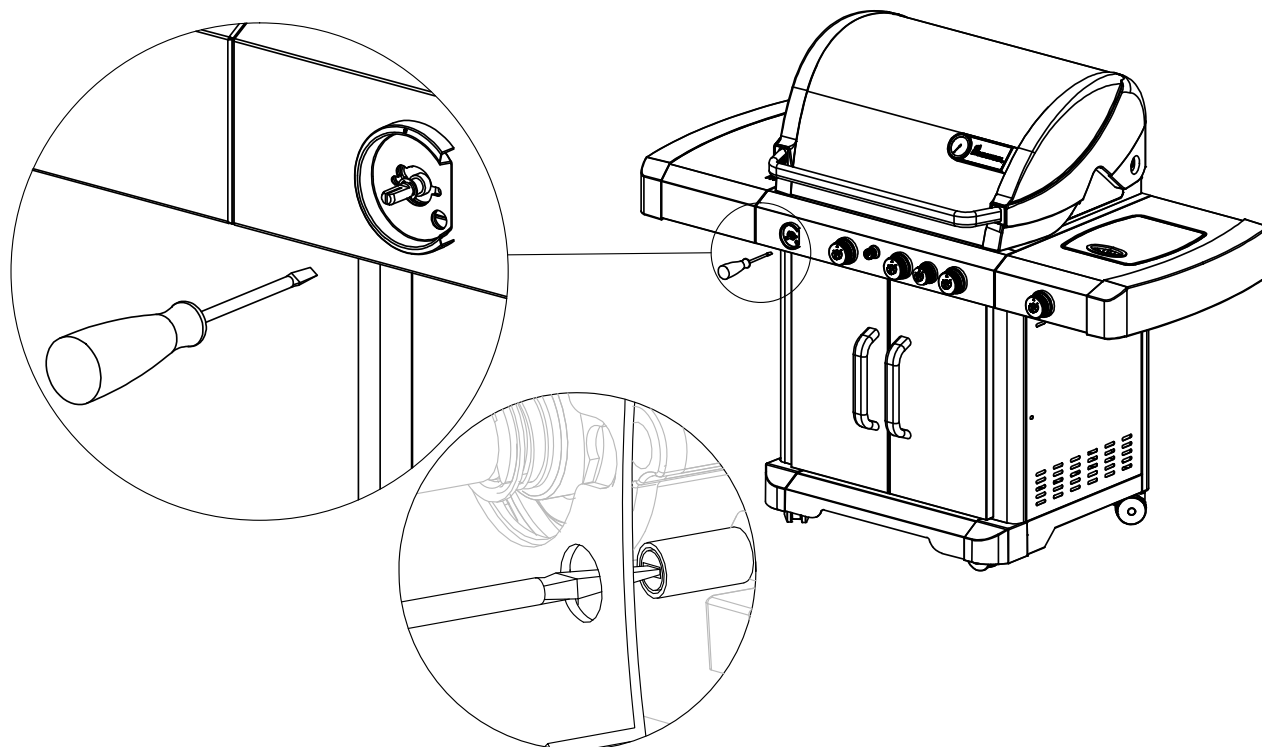
Conversión de gas natural

Paso 10

Convertir válvulas a gas natural:

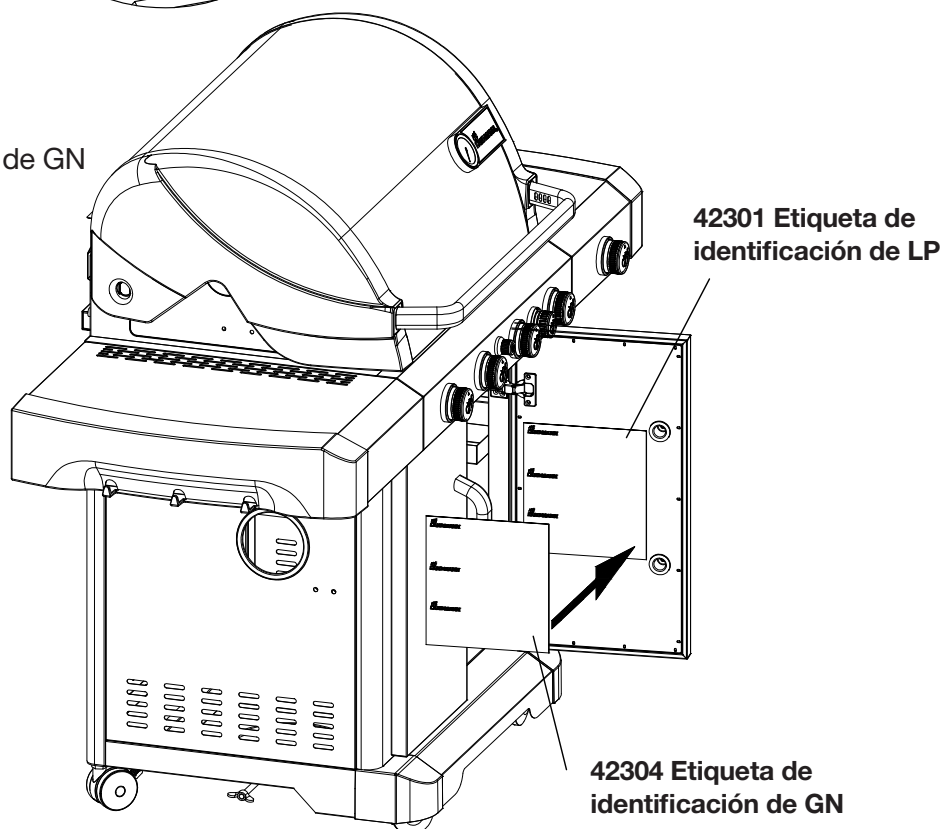
- Extraiga los mandos de control.
- Con un destornillador de cabeza plana gire los tornillos de índice mínimo en sentido antihorario hasta que se paren.
- Vuelva a colocar los mandos de control.

Nota: El ajuste del tornillo de índice mínimo para gas natural se gira del todo hacia la izquierda; mientras que para gas propano debe estar totalmente hacia la derecha.



Paso 11

Usar etiqueta de identificación de GN

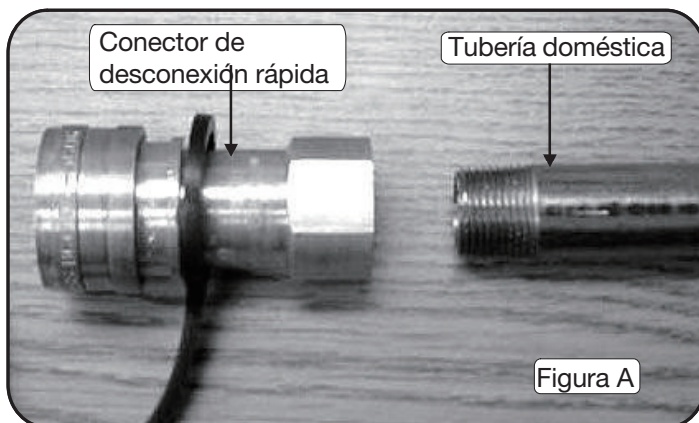


Conexión del grill a la fuente de gas natural

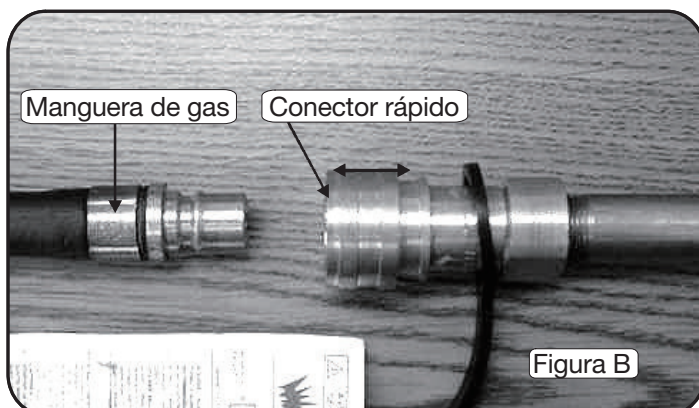
La manguera de gas natural y la conexión rápida no se suministran con este producto y deben adquirirse por separado como accesorios de su distribuidor local.

1. Se recomienda siempre la instalación profesional de una válvula de cierre entre la tubería de alimentación y la toma, aunque no es obligatorio, según el National Fuel Gas Code. La conexión a la toma se hará siempre en un espacio abierto (exterior).
2. Cubra la boquilla del alimentador de gas con pasta resistente a gas o con cinta de teflón. Atornille el conector a la alimentación de gas (fuente de gas doméstica) según la **Figura A** más abajo, y apriete con una llave inglesa.

WARNING El conector rápido no debe conectarse nunca al grill. La dirección del gas se indica en el conector.

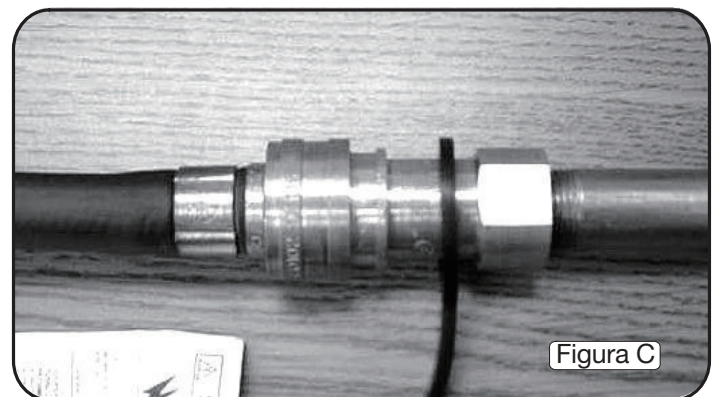


3. Tire hacia atrás del anillo del conector rápido e inserte el extremo libre de la manguera de gas dentro del conector. Suelte el anillo y continúe empujando la manguera en el conector hasta que el anillo se bloquee en su posición final. Ver **Figura B**.



4. Cuando se han conectado el conector rápido y la manguera de gas, en el conector se abre automáticamente una válvula que permite el flujo completo del gas. Cuando se desconecta la manguera de gas, la válvula en el conector cierra automáticamente y positivamente el caudal de gas.

Ya que la válvula en el conector cierra positivamente el caudal de gas, el grill puede desconectarse de la fuente de gas extrayendo la manguera de gas del conector rápido. El adaptador debería dejarse conectado a la fuente de gas (manguera). La figura C abajo muestra una manguera con adaptador debidamente conectada.



Con un montaje correcto, la manguera de gas no puede ser extraída sin empujar el anillo de desconexión rápida. Para desconectar, empuje el anillo hacia atrás y estire la manguera fuera del anillo (con lo que se bloquea automáticamente el paso del gas).

Tenga en cuenta lo siguiente: Solo mangueras y equipos listados C.S.A. para gas natural, gas manufacturado, gas mixto y petróleo licuado y para mezclas de propano-aire sobre la base de gravedad específica 0,64 para 1000 BTU por pié cúbico de gas a 0,3 pulgadas de presión en columna de agua. Solo se utilizarán mangueras homologadas ANSI Z21.54 con este grill.

El dispositivo y su válvula de cierre individual deben desconectarse del sistema de tuberías de alimentación de gas durante cualquier prueba de presión en el sistema a presiones de ensayo superiores de 1/2 psi (3,5 kPa).

El dispositivo debe aislarse de la alimentación de gas cerrando su válvula individual manual durante cualquier prueba de presión del sistema de tuberías de gas a presiones iguales o inferiores a 1/2 psi (3,5 kPa).

Conexión del grill a la fuente de gas natural



No utilice tubos metálicos rígidos de ningún tipo para conectar este tipo de barbacoa a la fuente de gas natural. Utilice solo las mangueras especificadas por el fabricante. El uso de tubos metálicos o metálicos corrugados es una práctica poco segura. El movimiento del grill puede provocar la rotura de tubos metálicos.

5. Control de fugas

- a. Prepare unos 20 gramos de solución para fugas mezclando una parte de jabón líquido para lavavajillas con tres partes de agua.
- b. Asegúrese de que los mandos reguladores esté en la posición OFF.
- c. Rocíe algo de solución sobre todas las juntas, conexiones y reguladores.
- d. Observe la solución en las conexiones para ver si se han formado burbujas. Si no aparecen burbujas, la conexión es segura.
- e. Si aparecen burbujas, significa que hay una fuga. Ir al paso f.
- f. Desconecte las conexiones donde aparezcan burbujas y vuelva a conectarlas correctamente.
- g. Vuelva a probar con la solución.
- h. Si aparecen burbujas que van creciendo, no utilice más el grill. ¡Contacte con el proveedor de gas o con los bomberos!

Garantía

Esta parrilla de gas ofrece garantía sin defectos en el material y la calidad si se monta correctamente, si se usa al aire libre en un ambiente normal y se cuida como se indica en estas instrucciones a partir de la fecha de compra original para las duraciones siguientes:

Vida útil - paneles y tapa de acero inoxidable

10 años - quemadores principales, caja de combustión, chapas térmicas y parrillas de cocción

2 años - Todas las demás piezas

Esta garantía no cubre oxidación, decoloración, daños por desconchado o problemas relacionados con negligencia, abuso, accidente, mal uso, aplicación incorrecta, montaje incorrecto, daños de transporte, uso comercial o **CUALQUIER** modificación hecha a este producto.

El trabajo de reparación no está cubierto. Esta garantía es la única que se ofrece y sustituye a todas las demás garantías, ya sean expresas o implícitas, lo que incluye garantía implícita, merchandising o uso para un propósito en particular.

Todas las piezas de repuesto que cumplan con los requisitos de garantía se enviarán sin cargo a discreción del fabricante (envíos terrestres, US Mail, UPS o FedEx). Cualquier cargo por trato especial (es decir, segundo día, noche, etc.) correrá a cargo del consumidor.

Todos los derechos de garantía sólo se aplican al comprador original y requieren un comprobante de compra que verifique la fecha de compra. No devuelva las piezas sin obtener primero un número de autorización de devolución de nuestro servicio de atención al cliente.

Puede contactar con nuestro servicio de atención al cliente en el: 1-800-321-3473 de 8:00 a 17:00 h, sólo en inglés, o enviando un e-mail a CustomerService@landmann-usa.com

Tenga en cuenta para los Estados Unidos, que algunos estados no permiten la exclusión o limitación de incidentes o daños derivados o limitaciones en cuanto a la duración de una garantía implícita, por lo que puede que las limitaciones o exclusiones no se le puedan aplicar a usted. Esta garantía le otorga derechos legales específicos y usted también puede tener otros derechos legales que pueden variar de un estado a otro.



Landmann USA, Inc.

7405 Graham Rd

Fairburn, Ga 302130

www.landmann-usa.com