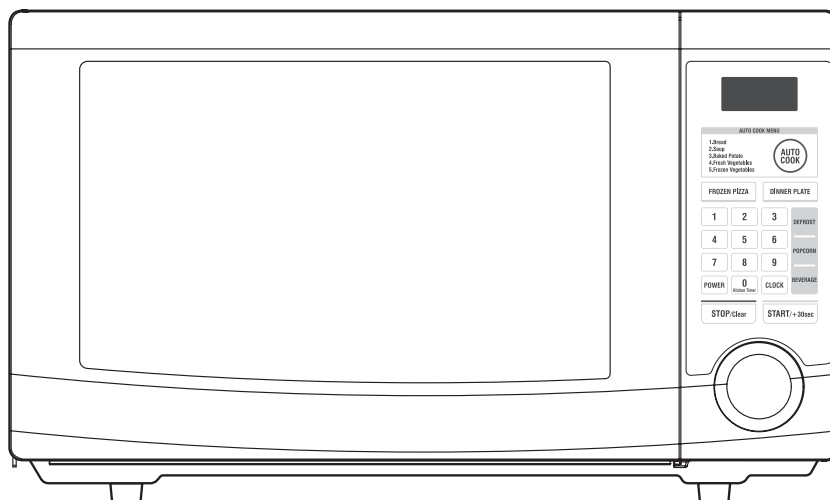




Magic Chef®

1.1 Cu. Ft. Countertop Microwave Oven

User's Manual



Model HMD1110W / HMD1110B

**PLEASE READ THIS MANUAL CAREFULLY BEFORE USING YOUR
MICROWAVE OVEN AND KEEP IT FOR FUTURE REFERENCE.**



Product Registration

Thank you for purchasing a Magic Chef product. The first step to protect your new product is to complete the product registration on our website: www.mcappliance.com/register. The benefits of registering your product include the following:

1. Registering your product will allow us to contact you regarding a safety notification or product update.
2. Registering your product will allow for more efficient warranty service processing when warranty service is required.
3. Registering your product could act as your proof of purchase in the event of insurance loss.

Once again, thank you for purchasing a Magic Chef product.

PRECAUTIONS TO AVOID POSSIBLE EXPOSURE TO EXCESSIVE MICROWAVE ENERGY

- (a) **Do not attempt to operate this oven with the door open** since open-door operation can result in harmful exposure to microwave energy. It is important not to defeat or tamper with the safety interlocks.
- (b) **Do not place any object** between the oven front face and the door or allow soil or cleaner residue to accumulate on sealing surfaces.
- (c) **Do not operate the oven if it is damaged.** It is particularly important that the oven door close properly and that there is no damage to the: (1) door (bent), (2) hinges and latches (broken or loosened), (3) door seals and sealing surfaces.
- (d) The oven should not be adjusted or repaired by anyone except properly qualified service personnel.

TABLE OF CONTENTS

- PRECAUTIONS TO AVOID POSSIBLE EXPOSURE TO EXCESSIVE MICROWAVE ENERGY.....1
- IMPORTANT SAFETY INSTRUCTIONS.....2
- FEDERAL COMMUNICATIONS COMMISSION
RADIO FREQUENCY INTERFERENCE STATEMENT3
- GROUNDING INSTRUCTIONS3
- INSTALLATION4
- SPECIFICATIONS.....5
- FEATURES DIAGRAM.....6
- FEATURES DIAGRAM (CONTINUED)7
- OPERATION PROCEDURE.....8
- CONTROLS.....9
 - SETTING THE CLOCK9
 - KITCHEN TIMER9
 - WEIGHT DEFROSTING10
 - TIME DEFROSTING10
 - COOKING IN ONE STAGE.....11
 - COOKING IN TWO STAGES.....11
 - +30 SEC12
 - ONE TOUCH COOK12
 - ONE TOUCH COOK (CONTINUED)13
 - AUTO COOK.....13
 - CHILD SAFETY LOCK.....14
 - TO SET POWER SAVE MODE14
 - TO STOP THE OVEN WHILE THE OVEN IS OPERATING.....14
- CARE OF YOUR MICROWAVE OVEN.....15
- BEFORE YOU CALL FOR SERVICE.....16
- CARE AND CLEANING.....16
- QUESTIONS AND ANSWERS.....17
- COOKING INSTRUCTIONS.....18
- USE YOUR MICROWAVE OVEN SAFELY19
- ARCING.....19

IMPORTANT SAFETY INSTRUCTIONS

When using electrical appliances, basic safety precautions should be followed, including the following:

WARNING-To reduce the risk of burns, electric shock, fire, injury to persons or exposure to excessive microwave energy:

1. Read all instructions before using the appliance.
2. Read and follow the specific "PRECAUTIONS TO AVOID POSSIBLE EXPOSURE TO EXCESSIVE MICROWAVE ENERGY" found on page 1.
3. This appliance must be grounded. Connect only to properly grounded outlet. See "GROUNDING INSTRUCTIONS" found on page 3.
4. Install or locate this appliance only in accordance with the provided installation instructions.
5. Some products such as whole eggs and sealed containers - for example, closed glass jars are able to explode and should not be heated in this oven.
6. Use this appliance only for its intended use as described in this manual. Do not use corrosive chemicals or vapors in this appliance. This type of oven is specifically designed to heat, cook, or dry food. It is not designed for industrial or laboratory use.
7. As with any appliance, close supervision is necessary when used by children.
8. Do not operate this appliance if it has a damaged cord or plug, if it is not working properly, or if it has been damaged or dropped.
9. This appliance should be serviced only by qualified service personnel.
Contact nearest authorized service facility for examination, repair or adjustment.
10. Do not cover or block any openings on the appliance.
11. Do not store this appliance outdoors. Do not use this product near water — for example, near a kitchen sink, in a wet basement, near a swimming pool, or similar locations.
12. Do not immerse cord or plug in water.
13. Keep cord away from heated surfaces.
14. Do not let cord hang over edge of table or counter.
15. When cleaning surfaces of door and oven that comes together on closing the door, use only mild, non-abrasive soaps or detergents applied with a sponge or soft cloth.
16. To reduce the risk of fire in the oven cavity:
 - a) Do not overcook food. Carefully attend appliance when paper, plastic, or other combustible materials are placed inside the oven to facilitate cooking.
 - b) Remove wire twist-ties from paper or plastic bags before placing bag in oven.
 - c) If materials inside the oven ignite, keep oven door closed, turn oven off, and disconnect the power cord, or shut off power at the fuse or circuit breaker panel.
 - d) Do not use the cavity for storage purposes. Do not leave paper products, cooking utensils, or food in the cavity when not in use.
17. Liquids, such as water, coffee, or tea are able to be overheated beyond the boiling point without appearing to be boiling due to surface tension of the liquid. Visible bubbling or boiling when the container is removed from the microwave oven is not always present. THIS COULD RESULT IN VERY HOT LIQUIDS SUDDENLY BOILING OVER WHEN A SPOON OR OTHER UTENSIL IS INSERTED INTO THE LIQUID.
To reduce the risk of injury to persons:
 - a) Do not overheat the liquid.
 - b) Stir the liquid both before and halfway through heating it.
 - c) Do not use straight-sided containers with narrow necks.
 - d) After heating, allow the container to stand in the microwave oven for a short time before removing the container.
 - e) Use extreme care when inserting a spoon or other utensil into the container.
18. Do not use this microwave oven to heat corrosive chemicals (for example, sulfides and chlorides). Vapors from such corrosive chemicals may interact with the contact and springs of the safety interlock switches thereby rendering them inoperable.
19. Keep the waveguide cover clean at all times. Wipe the oven interior with a soft damp cloth after each use. If you leave grease or fat anywhere in the cavity it may overheat, smoke or even catch fire when next using the oven.
20. Never heat oil or fat for deep frying as you cannot control the temperature and doing so may lead to overheating and fire.
21. Do not operate the oven without the glass tray in place. Be sure it is properly sitting on the rotating base.

SAVE THESE INSTRUCTIONS

FEDERAL COMMUNICATIONS COMMISSION RADIO FREQUENCY INTERFERENCE STATEMENT

WARNING:

This equipment generates and uses ISM frequency energy and if not installed and used properly, that is in strict accordance with the manufacturer's instructions, may cause interference to radio and television reception.

It has been type-tested and found to comply with limits for an ISM Equipment pursuant to part 18 of FCC Rules, which are designed to provide reasonable protection against such interference in a residential installation.

However, there is no guarantee that interference will not occur in a particular installation.

If this equipment does cause interference to radio or television reception, which can be determined by turning the equipment off and on, the user is encouraged to try to correct the interference by one or more of the followings.

- Reorient the receiving antenna of radio or television.
- Relocate the Microwave oven with respect to the receiver.
- Move the microwave oven away from the receiver.
- Plug the microwave oven into a different outlet so that microwave oven and receiver are on different branch circuits.

THE MANUFACTURER is not responsible for any radio or TV interference caused by UNAUTHORIZED MODIFICATION to this microwave oven. It is the responsibility of the user to correct such interference.

GROUNDING INSTRUCTIONS

This appliance must be grounded. In the event of an electrical short circuit, the grounding plug reduces the risk of electric shock by providing an escape wire for electric current. This appliance is equipped with a cord having a grounding wire with a grounding plug. The plug must be plugged into an outlet that is properly installed and grounded.

WARNING:

Improper use of the grounding can result in a risk of electric shock.

Consult a qualified electrician or serviceman if the grounding instructions are not completely understood, or if doubt exists as to whether the appliance is properly grounded, and either :

- (1) If it is necessary to use an extension cord, use only a 3-wire extension cord that has a 3-blade grounding plug, and a 3-slot receptacle that will accept the plug on the appliance. The marked rating of the extension cord shall be equal to or greater than the electrical rating of the appliance.
or
- (2) Do not use an extension cord, if the power supply cord is too short, have a qualified electrician or serviceman install an outlet near the appliance.

WARNING:

Do not cut or remove the third (ground) prong from the power cord under any circumstances.

INSTALLATION

1. Examine the oven after unpacking.

Check for damage such as a misaligned door, broken door or dent in the cavity.
If any damage is visible, DO NOT INSTALL, and notify your dealer immediately.

2. Level, flat location.

Install the microwave oven on a level, flat surface.

3. Ventilation.

Do not block air vents. If they are blocked during operation, the oven may overheat and eventually cause a failure.

For proper ventilation, allow 3 inches of space between oven top, sides, rear and adjacent surfaces.

4. Away from radio and TV sets.

Poor television reception and radio interference may result if the oven is located close to a TV, radio, antenna, feeder, etc.

Place the oven as far from them as possible.

5. Away from heating appliances and water taps.

Keep the oven away from heat, steam or splashing liquids. These things can adversely affect oven wiring and contacts.

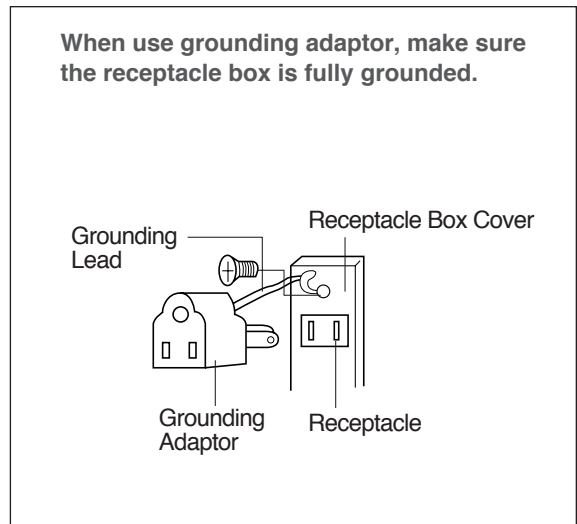
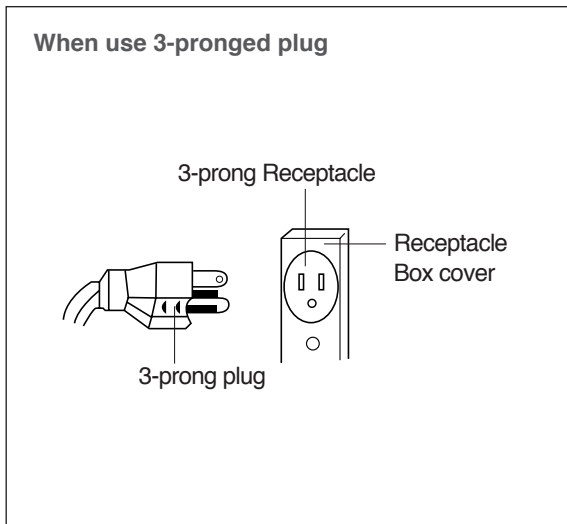
6. Power supply.

- Check your local power source.

This microwave oven requires a current of approximately 13 amperes, 120Volts, 60Hz and a grounded outlet.

1. A short power-supply cord is provided to reduce the risks of the user becoming entangled in or tripping over a longer cord.
2. Longer cord sets or extension cords are available and may be used if care is exercised in their use.
3. If a long cord or extension cord is used:
 - The marked electrical rating of the cord set or extension cord should be at least as great as the electrical rating of the oven.
 - The extension cord must be a grounding type 3-wire cord.
 - The longer cord should be arranged so that it will not drape the table top or counter where it can be pulled on by children or tripped over unintentionally.

7. The minimum height of free space necessary above the top surface of the oven is about 4 inches.

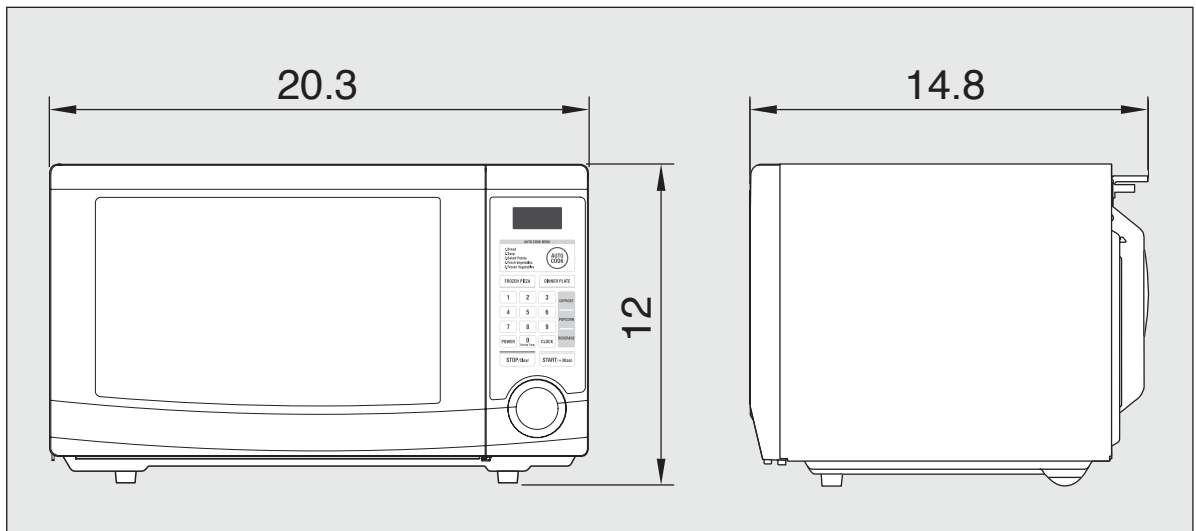


“THE CANADIAN ELECTRICAL CODE DOES NOT ALLOW THE USE OF THE GROUNDING ADAPTOR”

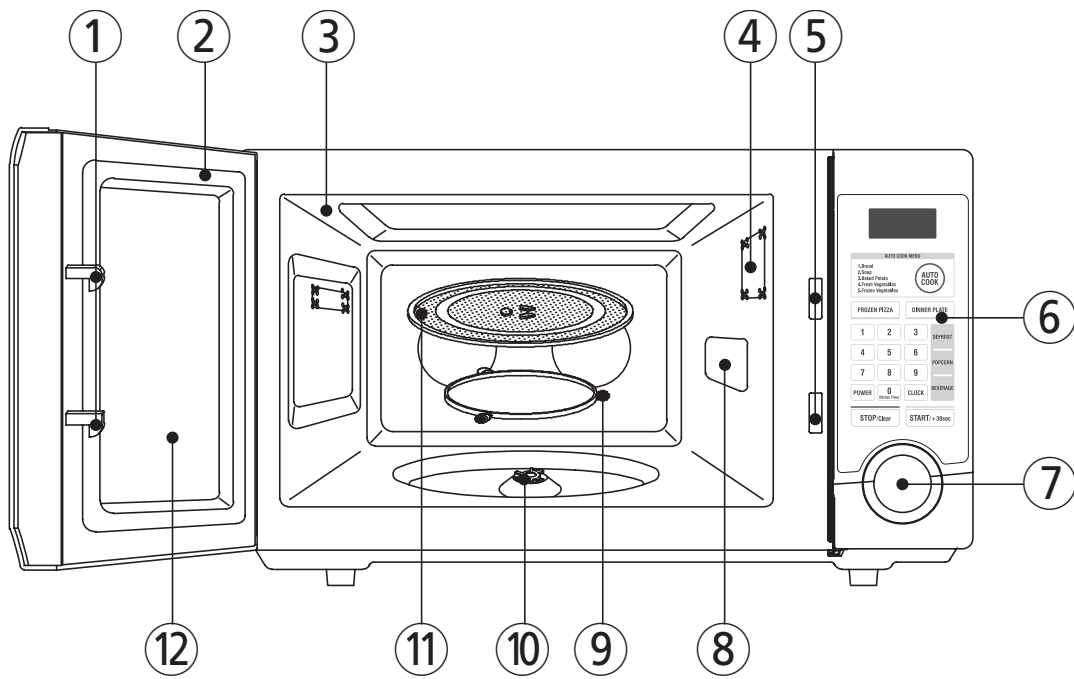
SPECIFICATIONS

POWER SUPPLY		120V AC, 60Hz SINGLE PHASE WITH GROUNDING
MICROWAVE	INPUT POWER	1500 W
	ENERGY OUTPUT	1000 W
	FREQUENCY	2,450MHz
OUTSIDE DIMENSIONS (W x H x D)		20.3 x 12.0 x 14.8 in.
CAVITY DIMENSIONS (W x H x D)		14.0 x 9.4 x 14.1 in.
CAVITY VOLUME		1.1 cu.ft
NET WEIGHT		APPROX. 29.5 lbs.
TIMER		59 min. 99 sec.
POWER SELECTIONS		10 Levels

* Specifications are subject to change without notice.



FEATURES DIAGRAM



① **Door latch** - When the door is closed, it will automatically shut off. If the door is opened while the oven is operating, the magnetron will automatically shut off.

② **Door seal** - The door seal surfaces prevent microwaves escaping from the oven cavity.

③ **Oven cavity**

④ **Oven lamp** - Automatically turns on during oven operating.

⑤ **Safety interlock system**

⑥ **Control panel**

⑦ **Door open button** - To open the door push the door open button.

⑧ **Waveguide cover** - Protects the microwave outlet from splashes of cooking foods.

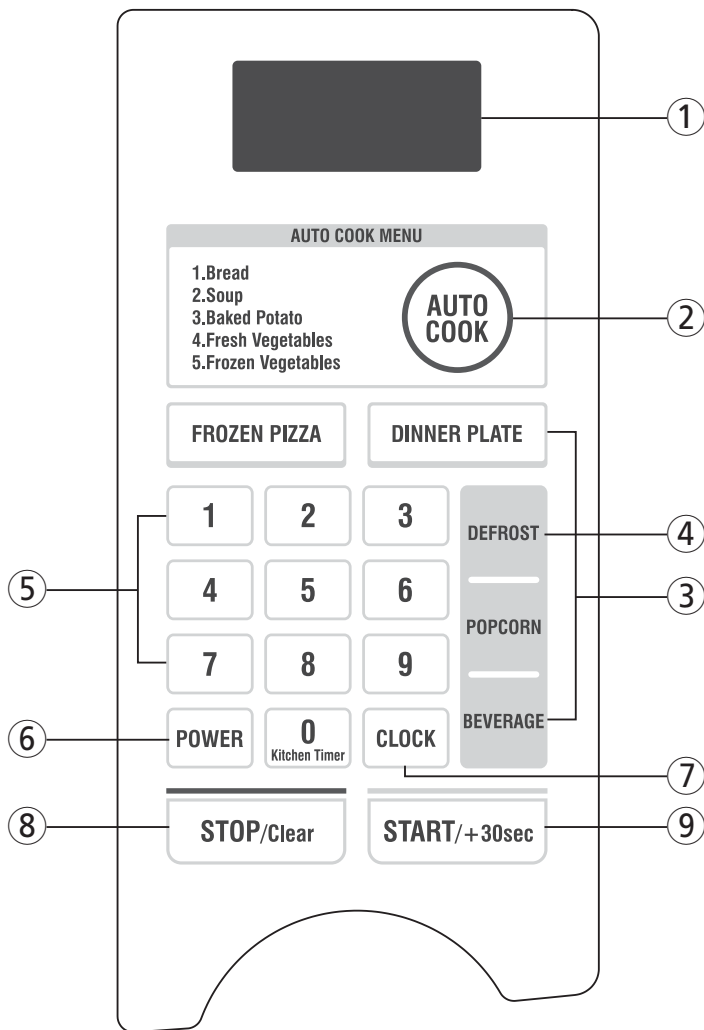
⑨ **Roller guide** - This must always be used for cooking together with the glass cooking tray.

⑩ **Coupler** - This fits over the shaft in the center of the oven cavity floor. This is to remain in the oven for all cooking.

⑪ **Glass cooking tray** - Made of special heat resistant glass. The tray must always be in proper position before operating. Do not cook food directly on the tray.

⑫ **Viewing screen** - Allows viewing of food. The screen is designed so that light can pass through, but not the microwave.

FEATURES DIAGRAM (continued)



① **DISPLAY** - Cooking time, power level, indicators and current time are displayed.

② **AUTO COOK** - Used to cook or reheat many of favorite food.

③ **ONE TOUCH COOK** - Used to cook or reheat specific quantities of food.

④ **DEFROST** - Used to defrost foods for weight and time.

⑤ **TIME SET PAD** - Used to set the cooking time and the current time.

⑥ **POWER** - Used to set power level.

⑦ **CLOCK** - Used to set clock.

⑧ **STOP / CLEAR** - Used to stop the oven operation or to delete the cooking data.

⑨ **START / +30 SEC** - Used to start the oven and also used to set a reheat time.

OPERATION PROCEDURE

This section includes useful information about oven operation.

- 1** Plug power supply cord into a standard 3-pronged 13 Amp, 120V AC 60Hz power outlet.
- 2** After placing the food in a suitable container, open the oven door and put it on the glass tray. The glass tray and roller guide must always be in place during cooking.
- 3** Close the door. Make sure that it is firmly closed.
- 4** The oven light is on when the microwave oven is operating.
- 5** The oven door can be opened at any time during operation by pulling the handle of door. The oven will automatically shut off.
- 6** Each time a pad is touched, a BEEP will sound to acknowledge the touch.
- 7** The oven automatically cooks on full power unless set to a lower power level.
- 8** The display will show “ : 0” when the oven is plugged in.
- 9** Time clock returns to the present time when the cooking time ends.
- 10** When the STOP/CLEAR pad is touched during the oven operation, the oven stops cooking and all information retained. To erase all information(except the present time), touch the STOP/CLEAR pad once more. If the oven door is opened during the oven operation, all information is retained.
- 11** If the START pad is touched and the oven does not operate, check the area between the door and door seal for obstructions and make sure the door is closed securely. The oven will not start cooking until the door is completely closed or the program has been reset.

Make sure the oven is properly installed and plugged into the electrical outlet.

WATTAGE OUTPUT CHART

- The power-level is set by touching the Micro Power pad. The chart shows the display, the power level and the percentage of power.

Touch the Micro Power pad	Power level (Display)	Approximate Percentage of Power
once	P-HI	100%
twice	P-90	90%
3 times	P-80	80%
4 times	P-70	70%
5 times	P-60	60%
6 times	P-50	50%
7 times	P-40	40%
8 times	P-30	30%
9 times	P-20	20%
10 times	P-10	10%
11 times	P-00	0%

CONTROLS

SETTING THE CLOCK

When the oven is first plugged in, the display will show “:0” and a tone will sound. If the AC power ever goes off, the display show “ : 0” when the power comes back on.

CLOCK

1. Touch the CLOCK pad.
This is a 12 hour clock system.
2. Touch the CLOCK pad once more.
This is a 24 hour clock system.
3. Enter the correct time of day by touching the TIME SET pads in sequence.
4. Touch the CLOCK pad.

NOTE : This oven has multiple clock systems. If you want 12 hour clock system, omit this step.

The display stops blinking, and the colon starts blinking. If you selected 12 hour clock system, this digital clock allows you to set from 1:00 to 12:59. If you selected 24 hour clock system, this digital clock allows you to set from 0:00 to 23:59.

NOTE: If you attempt to enter an incorrect time, the time will not be set and a error signal tone will sound. Touch the CLOCK pad and re-enter the time.

KITCHEN TIMER

This feature operates as a kitchen timer and can be used at stand-by mode when the oven is not in use.

0
Kitchen Timer

1. Press and hold number 0 pad for about 3 seconds.
2. Enter the time you want to count down.

" - - : - - " will appear in the display.

The display will show what you entered.

NOTE : The maximum time of kitchen timer is 59 minutes 99 seconds. (59:99).

START/+30sec

3. Press START pad to start.

When the time is up, the oven will beep.

WEIGHT DEFROSTING

When DEFROST is selected, the automatic cycle divides the defrosting time into periods of alternating defrost and stand times by cycling on and off.



1. Touch the DEFROST pad.
This is the weight defrosting mode.

The display will show you " 0.0 " .

2. Touch the TIME SET pads for inputing the desired weights.

The display will show you what you touched.

3. Touch the START pad.

NOTE: Your oven can be programmed for 0.5lb. ~ 6.5lb. in Weight defrosting mode.

The defrosting time is automatically determined by the weight inputed.

When you touch the START pad, the display counts down the time to show you how much defrosting time is left. The oven beeps during the defrosting cycle to signal that the food needs to be turn over or rearranged. When the defrosting time ends, you will hear 3 beeps.

TIME DEFROSTING

When DEFROST is selected, the automatic cycle divides the defrosting time into periods of alternating defrost and stand times by cycling on and off.



1. Touch the DEFROST pad twice.
This is the time defrosting mode.

The display will show you " : 0 " .

2. Touch the TIME SET pads for inputing the desired time.

The display will show you what you touched.

3. Touch the START pad.

NOTE: Your oven can be programmed for 59minutes 99seconds.(59:99).

When you touch the START pad, the display counts down the time to show you how much defrosting time is left. The oven beeps during the defrosting cycle to signal that the food needs to be turn over or rearranged. When the defrosting time ends, you will hear 3 beeps.

COOKING IN ONE STAGE

POWER

1. Touch the POWER pad.
(Select the desired power level.)

The display will show what you touched.

NOTE: If step 1 is omitted, the oven will cook at full power.

2. Touch the TIME SET pads for the cooking time.

The display will show what you touched.

NOTE: Your oven can be programmed for 59 minutes 99 seconds.(59:99)

3. Touch the START pad.

When you touch the START pad.

The display counts down the time to show how much cooking time is left. When the cooking time ends, you will hear 3 beeps.

NOTE : Using lower power levels increases the cooking time which is recommended for foods such as cheese, milk and slow cooking of meats.

COOKING IN TWO STAGES

All recipes require frozen foods to be defrosted fully before cooking.

DEFROST

1. Touch the DEFROST pad.
(Select the weight defrosting mode or the time defrosting mode.)

The display will show what you touched.

2. Touch the TIME SET pads for the defrosting time or weight you want.

POWER

3. Touch the POWER pad.
(Select the desired power level.)

“P-HI” is displayed. The display will show what you touched.

4. Touch the TIME SET pads for the desired cooking time.

The display will show what you touched.

5. Touch the START pad.

The display counts down the time remaining in DEF mode. When the oven beeps, turn over, break apart and/or redistribute the food. At the end of DEF mode, the oven will beep and start M/W cook. The display counts down the time remaining in M/W mode. When M/W cook ends, you will hear 3 beeps.

When the defrost cook is going on, if you touch the DEFROST pad, the display shows you “dEF” in 3 second.

When the defrost or MW cook is going on, if you touch the POWER pad, the display shows you the current power level in 3 seconds.

+30 sec

+30 sec allows you to reheat for 30 seconds at 100% (full power) by simply touching the +30 sec pad. By repeatedly touching the +30 sec pad, you can also extend reheating time to 5 minutes by 30 second increments.



START/+30sec

1. Touch the +30 sec pad.

When you touch the +30 sec pad, “:30” is displayed, and the oven starts reheating

ONE TOUCH COOK

One touch cooking allows you to cook or reheat many of your favorite foods by touching just one pad. To increase quantity, touch the chosen pad until the number in the display is same as desired quantity to cook.



BEVERAGE

1. Touch the BEVERAGE pad once for 1 cup, twice for 2 cups or three times for 3 cups.

When you touch the BEVERAGE pad once, “1” is displayed. After 1.5 seconds, the display is changed into cooking time and the oven starts cooking.

* BEVERAGE * (200 ml/cup)

- 1 cup (mug) : Touch the BEVERAGE pad once.
- 2 cups (mugs): Touch the BEVERAGE pad twice within 1.5 seconds.
- 3 cups (mugs): Touch the BEVERAGE pad three times within 1.5 seconds.



FROZEN PIZZA

1. Touch the FROZEN PIZZA pad once for 7 oz pizza or twice for 14 oz pizza.

When you touch the FROZEN PIZZA pad once, “7” is displayed. After 1.5 seconds, the display is changed into the cooking time and the oven start cooking

* FROZEN PIZZA *

- 7 oz : Touch the FROZEN PIZZA pad once.
- 14 oz : Touch the FROZEN PIZZA pad twice within 1.5 seconds.

NOTE: 1. Use only one frozen pizza at a time
2. Use only frozen pizza made for microwave ovens.
3. If the cheese of frozen pizza does not melt sufficiently, cook a few seconds longer.
4. Some brands of frozen pizza may require more or less cooking time.

ONE TOUCH COOK (CONTINUED)



DINNER PLATE

1. Touch Dinner Plate pad once for 12 oz of dinner plate or twice for 15 oz of dinner plate.

When you touch Dinner pad once, "12" is displayed.
After 1.5 seconds, the display is changed into the cooking time and the oven starts cooking.

* DINNER PLATE *

- 12 oz : Touch Dinner Plate pad once.
- 15 oz : Touch Dinner Plate pad twice within 1.5 seconds.



POPCORN

1. Touch POPCORN pad once for 3.5 oz bag of popcorn or twice for 3.0 oz bag of popcorn.

When you touch POPCORN pad once, "3.5" is displayed.
After the 1.5 seconds, the display is changed into the cooking time and the oven starts cooking.

* POPCORN *

- 3.5 oz : Touch Popcorn pad once.
- 3.0 oz : Touch Popcorn pad twice within 1.5 seconds.

- NOTE:**
1. Use prepackaged room-temperature microwave popcorn.
 2. Place bag in oven according to manufacturer's directions.
 3. Pop only one bag at a time.
 4. After popping, open bag carefully: popcorn and steam are extremely hot.
 5. Do not reheat unpopped kernels or reuse bag.
 6. Do not leave oven unattended while popping popcorn.

CAUTION : If prepackaged popcorn is of a different weight than the recommended weight, do not use the popcorn pad. Follow the manufacturer instruction.

AUTO COOK

AUTO COOK allows you to cook or reheat many of your favorite foods by repeatedly touching the AUTO COOK pad. When you touch the AUTO COOK pad once, "AC-1" will be displayed. By repeatedly touching this pad, you can select other food category as shown in below.



AUTO COOK

1. Touch the AUTO COOK pad once for 4pcs of BREAD. AC-1 will be displayed.

2. Touch the AUTO COOK pad twice for 12 oz of SOUP. AC-2 will be displayed.
3. Touch the AUTO COOK pad three times for 3ea of POTATO. AC-3 will be displayed.
4. Touch the AUTO COOK pad four times for 7 oz of FRESH VEGETABLE. AC-4 will be displayed.
5. Touch the AUTO COOK pad five times for 7 oz of FROZEN VEGETABLE. AC-5 will be displayed.

Then touch the START pad. The display will be changed into cooking time of quantity and the oven starts cooking.

CHILD SAFETY LOCK

The safety lock prevents unwanted oven operation such as by small children.
To set, touch and hold the STOP/CLEAR pad for 3 seconds, a beep sounds.
To cancel, touch and hold the STOP/CLEAR pad for 3 seconds, a beep sounds.

TO SET POWER SAVE MODE

1. Touch the STOP/CLEAR pad.
“ :0” or clock appears in the display.
 2. Touch and then hold the CLOCK pad for 3 seconds.
The display will turn off and a beep sounds.
To operate the oven in power save mode, touch any key.
Then “ :0” or clock will be shown and the operation of all function key will be same as in the normal mode.
But if there is no operation within 10 seconds in clear mode, all the contents of display will disappear.
 3. To cancel power save simply repeat setting procedure. When the display is on.
The power save mode will be canceled and a beep sounds.
The oven is again available for normal use.
-

TO STOP THE OVEN WHILE THE OVEN IS OPERATING

1. Touch the STOP/CLEAR pad.
 - You can restart the oven by touching the START pad.
 - Touch the STOP/CLEAR pad once more to erase all instructions.
 - You must enter in new instructions.
2. Open the door.
 - You can restart the oven by closing the door and touching the START pad.

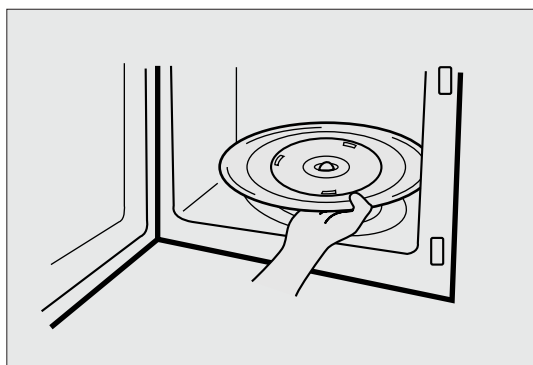
NOTE: Oven stops operating when door is opened.

CARE OF YOUR MICROWAVE OVEN

The oven should be cleaned regularly and any food deposits removed.

Failure to maintain the oven in a clean condition could lead to deterioration of the surface that could adversely affect the life of the appliance and possibly result in a hazardous situation.

- 1 Turn the oven off before cleaning.
- 2 Keep the inside of the oven clean. When food spatters or spilled liquids adhere to oven walls, wipe with a damp cloth. Mild detergent may be used if the oven gets very dirty.
The use of harsh detergent or abrasives is not recommended.
- 3 The outside oven surface should be cleaned with soap and water, rinsed and dried with a soft cloth. To prevent damage to the operating parts inside the oven, water should not be allowed to seep into the ventilation openings.
- 4 If the Control Panel becomes wet, clean with a soft, dry cloth. Do not use harsh detergents or abrasives on Control Panel.
- 5 If steam accumulates inside or around the outside of the oven door, wipe with a soft cloth. This may occur when the microwave oven is operated under high humidity conditions and in no way indicates malfunction of the unit.
- 6 It is occasionally necessary to remove the glass tray for cleaning. Wash the tray in warm sudsy water or in a dishwasher.
- 7 The roller guide and oven cavity floor should be cleaned regularly to avoid excessive noise. Simply wipe the bottom surface of the oven with mild detergent water or window cleaner and dry. The roller guide may be washed in mild sudsy water.

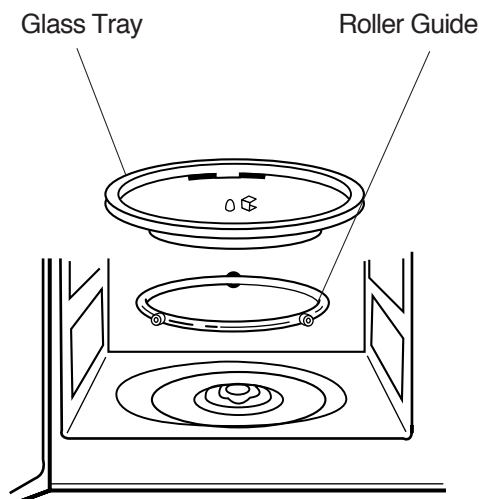


ROLLER GUIDE

- 1 The ROLLER GUIDE and oven floor should be cleaned frequently to prevent excessive noise.
- 2 The ROLLER GUIDE MUST ALWAYS be used for cooking together with the Glass Tray.

GLASS TRAY

- 1 DO NOT operate the oven without the Glass Tray in place.
- 2 DO NOT use any other Glass Tray with this oven.
- 3 If Glass Tray is hot, ALLOW TO COOL before cleaning or placing it in water.
- 4 DO NOT cook directly on the Glass Tray.
(Except for popcorn)



BEFORE YOU CALL FOR SERVICE

Refer to following checklist, you may prevent an unnecessary service call.

*** The oven doesn't work :**

1. Check that the power cord is securely plugged in.
2. Check that the door is firmly closed.
3. Check that the cooking time is set.
4. Check for a blown circuit fuse or tripped main circuit breaker in your house.

*** Sparking in the cavity;**

1. Check utensils. Metal containers or dishes with metal trim should not be used.
2. Check that metal skewers or foil does not touch the interior walls.

If there is still a problem, contact the service station. A list of these stations is included in the oven.

CARE AND CLEANING

Although your oven is provided with safety features, it is important to observe the following:

1. It is important not to defeat or tamper with safety interlocks.
2. Do not place any object between the oven front face and the door or allow residue to accumulate on sealing surfaces. Wipe the sealing area frequently with a mild detergent, rinse and dry. Never use abrasive powders or pads.
3. When opened, the door must not be subjected to strain, for example, a child hanging on an opened door or any load could cause the oven to fall forward to cause injury and also damage to the door. Do not operate the oven if it is damaged, until it has been repaired by a competent service technician. It is particularly important that the oven closes properly and that there is no damage to the:
 - i) Door(bent)
 - ii) Hinges and Hooks(broken or loosened)
 - iii) Door seals and sealing surfaces.
4. The oven should not be adjusted or repaired by anyone except a properly competent service technician.
5. The oven should be cleaned regularly and any food deposits removed;
6. Failure to maintain the oven in a clean condition could lead to deterioration of the surface that could adversely affect the life of the appliance and possibly result in a hazardous situation.

QUESTIONS AND ANSWERS

*** Q : I accidentally ran my microwave oven without any food in it. Is it damaged?**

A : Running the oven empty for a short time will not damage the oven. However, it is not recommended.

*** Q : Can the oven be used with the glass tray or roller guide removed?**

A : No. Both the glass tray and roller guide must always be used in the oven before cooking.

*** Q : Can I open the door when the oven is operating?**

A : The door can be opened anytime during the cooking operation. Then microwave energy will be instantly switched off and the time setting will maintain until the door is closed.

*** Q : Why do I have moisture in my microwave oven after cooking?**

A : The moisture on the side of your microwave oven is normal. It is caused by steam from cooking food hitting the cool oven surface.

*** Q : Does microwave energy pass through the viewing screen in the door?**

A : No. The metal screen bounces back the energy to the oven cavity. The holes are made to allow light to pass through. They do not let microwave energy pass through.

*** Q : Why do eggs sometimes pop?**

A : When baking or poaching eggs, the yolk may pop due to steam build-up inside the yolk membrane. To prevent this, simply pierce the yolk with a toothpick before cooking. Never cook eggs without piercing their shells.

*** Q : Why is this standing time recommended after the cooking operation has been completed?**

A : Standing time is very important. With microwave cooking, the heat is in the food, not in the oven. Many foods build up enough internal heat to allow the cooking process to continue, even after the food is removed from the oven. Standing time for joints of meat, large vegetables and cakes is to allow the inside to cook completely, without overcooking the outside.

*** Q : What does “standing time” mean?**

A : “Standing time” means that food should be removed from the oven and covered for additional time to allow it to finish cooking. This frees the oven for other cooking.

*** Q : Why does my oven not always cook as fast as the microwave cooking guide says?**

A : Check your cooking guide again, to make sure you’ve followed directions exactly ; and to see what might cause variations in cooking time. Cooking guide times and heat settings are suggestions, to help prevent over-cooking... the most common problem in getting used to a microwave oven. Variations in the size, shape and weights and dimensions could require longer cooking time. Use your own judgement along with the cooking guide suggestions to check whether the food has been properly cooked just as you would do with a conventional cooker.

*** Q : Will the microwave oven be damaged if it operates while empty?**

A : Yes. Never run it empty.

*** Q : Can I operate my microwave oven without the turntable or turn the turntable over to hold a large dish?**

A : No. If you remove or turn over the turntable, you will get poor cooking results. Dishes used in your oven must fit on the turntable.

*** Q : Is it normal for the turntable to turn in either direction?**

A : Yes. The turntable rotates clockwise or counterclockwise, depending on the rotation of the motor when the cooking cycle begins.

*** Q : Can I pop popcorn in my microwave oven? How do I get the best results?**

A : Yes. Pop packaged microwave popcorn following manufacture’s guidelines. Do not use regular paper bags. Use the “listening test” by stopping the oven as soon as the popping slows to a “pop” every 1 or 2 seconds. Do not repop unpopped kernels. Do not pop popcorn in glass cookware.

COOKING INSTRUCTIONS

Utensil Guide

Only use utensils that are suitable for use in microwave ovens.

To cook food in the microwave oven, the microwaves must be able to penetrate the food, without being reflected or absorbed by the dish used. Care must therefore be taken choosing the utensil. If the utensil is marked microwave-safe, you do not need to worry. The following table lists various utensil and indicates whether and how they should be used in a microwave oven.

Utensil	Safe	Comments
Aluminium foil	▲	Can be used in small quantities to protect areas against overcooking. Arcing can occur if the foil is too close to the oven wall or if too much foil is used.
Crust plate	●	Do not preheat for more than 8minutes.
China and earthenware	●	Porcelain, pottery, glazed earthenware and bone china are usually suitable, unless deco-rated with a metal trim.
Disposable polyester cardboard dishes	●	Some frozen foods are packaged in these dishes.
Fast-food packaging • Polystyrene cups containers • Paper bags or newspaper • Recycled paper or metal trims	● × ×	Can be used to warm food. Overheating may cause the polystyrene to melt. May catch fire. May cause arcing.
Glassware • Oven-to-table ware • Fine glassware • Glass jars	● ● ●	Can be used, unless decorated with a metal trim. Can be used to warm foods or liquids. Delicate glass may break or crack if heated suddenly. Must remove the lid. Suitable for warming only.
Metal • Dishes • Freezer bag twist ties	× ×	May cause arcing or fire.
Paper • Plates, cups, napkins and Kitchen paper • Recycled paper	● ×	For short cooking times and warming. Also to absorb excess moisture. May cause arcing.
Plastic • Containers • Cling film • Freezer bags	● ● ▲	Particularly if heat-resistant thermoplastic. Some other plastics may warp or discolour at high temperatures. Do not use Melamine plastic. Can be used to retain moisture. Should not touch the food. Take care when removing the film as hot steam will escape. Only if boilable or oven-proof. Should not be airtight. Prick with a fork, if necessary.
Wax or grease-proof paper	●	Can be used to retain moisture and prevent spattering.

● : Recommended use

▲ : Limited Use

× : Not Recommended

USE YOUR MICROWAVE OVEN SAFELY

General Use

Do not attempt to defeat or tamper with safety interlocks.

Do not place any object between the oven front frame and the door or allow residue to build up on sealing surfaces. Wipe with a mild detergent, rinse and dry.

Never use abrasive powders or pads.

Do not subject the oven door to strain or weight such as a child hanging on an open door.

This could cause the oven to fall forward resulting in injury to you and damage to the oven.

Do not operate the oven if door seals or sealing surfaces are damaged; or if door is bent; or if hinges are loose or broken.

Do not operate the oven empty. This will damage the oven.

Do not attempt to dry clothes, newspapers or other materials in the oven. They may catch on fire.

Do not use recycled paper products as they may contain impurities which may cause sparks or fires.

Do not hit or strike the control panel with hard objects. This can damage the oven.

Food

Never use your microwave oven for home canning. The oven is not designed for proper home canning. Improperly canned food may spoil and be dangerous to consume.

Always use the minimum recipe cooking time. It is better to undercook rather than overcook foods.

Undercooked foods can be returned to the oven for more cooking. If food is overcooked, nothing can be done.

Heat small quantities of food or foods with low moisture carefully. These can quickly dry out, burn or catch on fire.

Do not heat eggs in the shell. Pressure may build up and eggs can explode.

Potatoes, apples, egg yolks and sausages are examples of food with non-porous skins.

These must be pierced before cooking to prevent bursting.

Do not attempt to deep fat fry in your microwave oven.

Always allow a standing time of at least 20 seconds after the oven has been switched off to allow the

temperature to even out, stir during heating, if necessary, and ALWAYS stir after heating. To prevent eruptive boiling and possible scalding, you should put a spoon or glass stick into the beverages and stir before, during and after heating.

Do not leave the oven unattended while popping corn.

Do not pop corn in a paper bag unless it is the commercially prepared Microwave Popcorn product.

The kernels can overheat and ignite a brown paper bag.

Do not put packaged Microwave Popcorn bags directly on the oven tray. Place the package on a microwave safe glass or ceramic plate to avoid overheating and cracking the oven tray.

Do not exceed the Microwave Popcorn manufacturers suggested popping time.

Longer popping does not yield more popcorn but it can result in scorch, burn of fire. Remember, the Popcorn bag and tray can be too hot to handle. Remove with caution and use pot holders.

ARCING

If you see arcing, open the door and correct the problem.

Arcing is the microwave term for sparks in the oven.

Arcing is caused by:

- Metal or foil touching the side of the oven.
- Foil not molded to food (upturned edges act like antennas).

- Metal, such as twist-ties, poultry pins, or gold rimmed dishes, in the microwave.
- Recycled paper towels containing small metal pieces being used in the microwave.



Limited Warranty

MC Appliance Corporation warrants each new Microwave Oven to be free from defects in material and workmanship, and agrees to remedy any such defect or to furnish a new part(s), at the company's option, for any part(s) of the unit that have failed during the warranty period. Parts and labor expenses are covered on this unit for a period of one year from the date of purchase. A copy of the dated sales receipt or invoice is required to receive warranty service by an authorized service agent.

In addition, MC Appliance Corporation warrants the magnetron (parts only) to be free from defects in material and workmanship for a period of eight years.

The consumer is responsible for all labor and transportation expenses related to the diagnosis and replacement of the magnetron after the initial one-year warranty expires. In the event the unit requires replacement or refund under the terms of this warranty, the consumer is responsible for all transportation expenses to return the unit to our factory prior to receiving a replacement unit or refund. A copy of the dated sales receipt/invoice is required to receive warranty service, replacement or refund.

This warranty covers appliances in use within the continental United States, Alaska, Hawaii and Puerto Rico. This warranty does not cover the following:

- Damages due to shipping damage or improper installation.
- Damages due to misuse or abuse.
- Content losses due to failure of the unit.
- Inside components such as turntable, roller guide, light bulbs, etc.
- Repairs performed by unauthorized service agents.
- Service calls that do not involve defects in material and workmanship such as instructions on proper use of the product or improper installation.
- Replacement or resetting of house fuses or circuit breakers.
- Failure of this product if used for other purposes than its intended purpose.
- Disposal costs for any failed unit not returned to our factory.
- Any delivery/installation costs incurred as the result of a unit that fails to perform as specified.
- Expenses for travel and transportation for product service if your appliance is located in a remote area where service by an authorized service technician is not available.
- The removal and reinstallation of your appliance if it is installed in an inaccessible location or is not installed in accordance with published installation instructions.
- Refunds for non repairable products are limited to the price paid for the unit per the sales receipt.

Limitations of Remedies and Exclusions:

Product repair in accordance with the terms herein, is your sole and exclusive remedy under this limited warranty. Any and all implied warranties including merchantability and fitness for a particular purpose are hereby limited to one year or the shortest period allowed by law. MC Appliance Corporation is not liable for incidental or consequential damages and no representative or person is authorized to assume for us any other liability in connection with the sale of this product. Under no circumstances is the consumer permitted to return this unit to the factory without the prior written consent of MC Appliance Corporation.

Some states prohibit the exclusion or limitation of incidental or consequential damages, or limitations on implied warranties. This warranty gives you specific legal rights, and you may also have other rights which vary from state to state.

Model	Parts & Labor	Magnetron (Parts Only)	Type of Service
HMD1110W	One Year	Eight Years	Carry In
HMD1110B	One Year	Eight Years	Carry In

For Service or Assistance please call 888-775-0202 or visit us on the web at www.mcappliance.com to request warranty service or order parts.



**CNA International, Inc. d/b/a MC Appliance Corporation. All rights reserved.
Magic Chef® logo is a registered trademark of CNA International, Inc.**

www.mcappliance.com

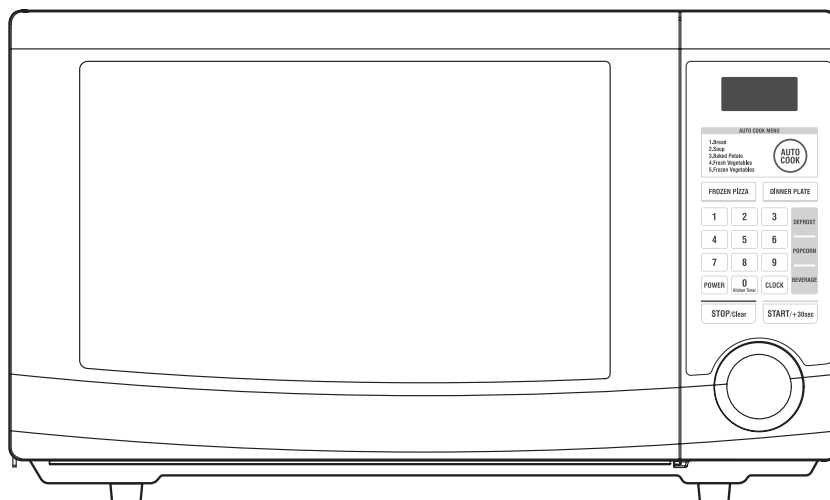
Printed in China



Magic Chef®

1.1 Cu. Ft. Encimera horno de microondas

Manual del usuario



Modelo HMD1110B / HMD1110W

**LEA ESTE MANUAL ANTES DE UTILIZAR SU HORNO DE
MICROONDAS Y GUÁRDELO PARA FUTURA REFERENCIA.**



Registración del producto

Gracias por comprar el producto Magic Chef. El primer paso para proteger su nuevo producto es completar la forma de registración en nuestra página web: www.mcappliance/register. Los beneficios de registrar su producto incluyen lo siguiente:

1. Al registrar su producto nos permite contactarle para notificarle de un cambio de seguridad o actualización del producto.
2. Si llegara a necesitar servicio bajo garantía, registrando su producto nos permite ser más eficiente en procesar el servicio.
3. En el evento que usted tenga una pérdida que esta cubierto por un seguro, registrando su producto puede servir como prueba de su compra.

Una vez más gracias por comprar un producto marca Magic Chef.

PRECAUCIONES QUE DEBEN TENERSE PARA EVITAR QUEDAR EXPUESTO A LA ENERGIA DIRECTA DE MICROONDAS.

- (a) **No intente operar el horno con la puerta abierta**, ya que la operación en tal condición puede causarle un daño muy grave debido a la exposición directa con la energía de microondas. Es importante no obstruir los orificios de sujeción de los ganchos de seguridad de la puerta.
- (b) **No coloque ningún objeto** entre la puerta y el gabinete tampoco permita la acumulación de grasa e impurezas en los orificios de sujeción de los seguros de la puerta.
- (c) **No opere el horno en caso de estar dañado**. Es particularmente importante que la puerta del horno cierre adecuadamente y que no esté floja, asimismo que las bisagras y los ganchos del seguro de la puerta no estén rotos, retorcidos o flojos. Si así fuese, acuda al centro de servicio autorizado.
- (d) El horno deberá repararse únicamente por el personal de servicio técnico capacitado.

TABLA DE CONTENIDO

• PRECAUCIONES QUE DEBEN TENERSE PARA EVITAR QUEDAR EXPUESTO A LA ENERGIA DIRECTA DE MICROONDAS	1
• INSTRUCCIONES IMPORTANTES DE SEGURIDAD	2
• DECLARACION SOBRE INTERFERENCIA DE RADIOFRECUENCIAS DE LA COMISION FEDERAL DE COMUNICACIONES	3
• INSTRUCCIONES DE CONEXION A TIERRA	3
• INSTALACION	4
• ESPECIFICACIONES	5
• DIAGRAMA DE CARACTERISTICAS	6
• DIAGRAMA DE CARACTERISTICAS (CONTINUACIÓN)	7
• PROCEDIMIENTO DE OPERACIÓN	8
• FUNCIONES DEL PANEL DE CONTROL	9
AJUSTE DEL RELOJ	9
TEMPORIZADOR DE COCINA	9
DESCONGELAMIENTO POR PESO	10
DESCONGELAMIENTO POR TIEMPO	10
COCINADO EN UNA ETAPA	11
COCINADO EN DOS ETAPAS	11
+30 SEG	12
COCINADO EN UN TOQUE	12
COCINADO EN UN TOQUE (CONTINUACIÓN)	13
AUTO COCCIÓN	13
SEGURO DE NIÑOS	14
AJUSTAR MODO DE AHORRO DE ENERGÍA	14
DETENER EL HORNO MIENTRAS ESTA EN OPERACIÓN	14
• CUIDADO DE SU HORNO DE MICROONDAS	15
• ANTES DE LLAMAR AL SERVICIO TECNICO	16
• CUIDADO Y LIMPIEZA DE SU HORNO	16
• PREGUNTAS Y RESPUESTAS	17
• UTENSILIOS DE COCINA	18
• COMO USAR EL HORNO DE MICROONDAS SIN RIESGO	19
• ARCO ELÉCTRICO	19

INSTRUCCIONES IMPORTANTES DE SEGURIDAD

Cuando se usan equipos eléctricos deben seguirse ciertas reglas básicas de seguridad, incluyendo lo siguiente: **ADVERTENCIA - Para reducir el riesgo de quemaduras, electrocución, incendio, daños a personas o exposición excesiva a la energía de microondas:**

1. Lea todas las Instrucciones antes de usar el equipo.
 2. Lea y siga las recomendaciones en:
 - “PRECAUCIONES QUE DEBEN TENERSE PARA EVITAR QUEDAR EXPUESTO A LA ENERGÍA EXCESIVA DE MICROONDAS” señalado en la pág. 1.
 3. Este equipo debe tener una conexión de tierra, lea las "INSTRUCCIONES DE CONEXION A TIERRA", encontradas en la pág. 3.
 4. Instale o coloque este aparato de acuerdo únicamente con las instrucciones de instalación proporcionadas.
 5. Algunos productos como los huevos de aves y algunos contenedores como frascos de vidrio cerrados, son capaces de estallar y no deben ser calentados en este horno.
 6. Utilice este equipo sólo para el propósito por el cual fue diseñado, especificado en este manual. No use químicos corrosivos en este equipo. Este tipo de horno ha sido diseñado exclusivamente para calentar, cocinar o descongelar alimentos. No está diseñado para uso industrial o de laboratorio.
 7. Como con cualquier aplicación, la supervisión cercana es necesaria cuando es utilizada por los niños.
 8. No use el horno si tiene dañado el cable de alimentación o clavija, si funciona de manera inapropiada o si ha sufrido alguna caída.
 9. Este equipo debe ser revisado, ajustado o reparado solamente por el personal autorizado de servicio. Contacte al centro de servicio autorizado más cercano para facilitar, la reparación y ajuste.
 10. No cubra o bloquee ninguna salida de ventilación del equipo.
 11. No almacene el equipo en el exterior. No utilice este producto cerca de agua- Por ejemplo, cerca de un lavaplatos, en un sótano mojado, o cerca de un estanque, o las ubicaciones semejantes.
 12. No sumerja en agua el cable de alimentación o clavija.
 13. Mantenga el cable de alimentación alejado de superficies calientes.
 14. No deje el cable de alimentación colgado sobre el borde de la mesa o mostrador.
 15. Cuando se limpien las superficies que entran en contacto al cerrar la puerta, use jabones o detergentes suaves aplicados con esponja o paño suave.
 16. Para reducir el riesgo del fuego en la cavidad del horno:
 - a) No recueza los alimentos. Tenga especial cuidado con el equipo cuando papel, plástico u otras materias combustibles se colocan dentro del horno para facilitar la cocción
 - b) Quite las ataduras de alambre de las bolsas de plástico o papel antes de introducir las en el horno.
 - c) Si los materiales dentro del horno se encienden, mantenga la puerta del horno cerrada, apague el horno y desconecte el cable de alimentación.
 - d) No utilice el horno para almacenar, no deje productos de papel, utensilios de cocina o comida en el interior del horno cuando éste se encuentre sin operar.
17. Los líquidos, tal como agua, el café, o el té son pueden ser calentados más allá del punto de ebullición sin que que parezcan que hierven debido a la tensión de superficie del líquido. No siempre se visualiza el burbujeo en los líquidos cuando se retiran de horno de microondas.

ESTO PODRIA TENER COMO RESULTADO QUE LIQUIDOS MUY CALIENTES REPENTINAMENTE HIERVAN CUANDO SE LES INTRODUCE UNA CUCHARA U OTRO UTENSILIO.

Para reducir el riesgo de lesión a las personas:

 - a) No recaliente el líquido.
 - b) Revuelva los líquidos antes y durante del calentamiento.
 - c) No utilice directamente contenedores de lados con cuellos estrechos.
 - d) Después de calentar, permita que el envase esté parado en el horno de microondas por un tiempo corto antes de quitar el envase.
 - e) Tenga especial cuidado cuando mete una cuchara u otro utensilio en el contenedor.
 18. No use el horno para calentar corrosivos químicos como por ejemplo: sulfatos y cloratos, los vapores de tales corrosivos pueden interactuar con los contactos y resortes de las cerraduras dañándolos de forma permanente.
 19. Mantenga limpia la cubierta de la salida de microondas. Limpie el interior del horno con un trapo suave después de usarlo. Si usted deja grasa en cualquier parte de el interior del horno, está podría sobrecalentarse, o prenderse cuando el horno sea utilizado nuevamente.
 20. Nunca caliente aceite o grasa para freír en el horno ya que no podrá controlar la temperatura y pueden sobrecalentarse, y provocar fuego.
 21. No opere el horno sin la bandeja de cristal en su lugar. Asegúrese que este puesta correctamente en la base que gira.

CONSERVE ESTE MANUAL DE INSTRUCCIONES

DECLARACION SOBRE INTERFERENCIA DE RADIOFRECUENCIAS DE LA COMISION FEDERAL DE COMUNICACIONES

ADVERTENCIA:

Este equipo genera y utiliza energía de frecuencia ISM, por lo que si no es instalado y utilizado apropiadamente, conforme a las instrucciones del fabricante, podría causar interferencia en la recepción de la radio y televisión.

Este producto ha sido clasificado y probado; encontrándose que satisface los términos para un equipo ISM, según la sección 18 del reglamento FCC, que está planteada para ofrecer protección apropiada contra aquella interferencia en instalaciones residenciales.

No obstante, no se garantiza que la interferencia no llegue a ocurrir en alguna instalación en particular. Si este equipo ocasiona interferencia en la recepción de radio o televisión, la cual puede suceder al momento de encender o apagar el equipo, entonces será preciso que el usuario intente corregir dicha interferencia mediante alguna de las siguientes indicaciones:

- Reoriente la antena de recepción de radio o televisión.
- Reubique el horno de microondas con respecto al receptor.
- Aleje el horno de microondas del equipo receptor.
- Conecte el horno de microondas en una toma de corriente diferente, de forma que el horno de microondas y el receptor se alimenten de distintos circuitos eléctricos.

EL FABRICANTE no es responsable por cualquier interferencia de radio o TV causada por una MODIFICACION NO AUTORIZADA al horno de microondas. Es responsabilidad del usuario corregir dicha interferencia.

INSTRUCCIONES DE CONEXION A TIERRA

Este equipo debe de estar conectado a tierra; ya que en caso de un corto circuito, el cable a tierra reduce el riesgo de sufrir una descarga eléctrica al proporcionar una trayectoria de escape a la corriente eléctrica. Por lo tanto este aparato está equipado con una clavija polarizada que contiene una terminal para la conexión a tierra, la cual debe de conectarse a un contacto que esté propiamente instalado y conectado a tierra.

ADVERTENCIA:

La conexión inapropiada a tierra puede ser un factor de riesgo de sufrir una descarga eléctrica.

Consulte a un electricista calificado o al personal de servicio, si las instrucciones de instalación no son completamente entendibles o si existe alguna duda de que el equipo esté conectado adecuadamente a tierra, cuide también:

- (1) Si es necesario utilizar una extensión de corriente, entonces use únicamente extensiones de tres cables, con clavija polarizada con contacto a tierra, y que a su vez el contacto de la extensión se ajuste a la clavija del equipo. La capacidad eléctrica de la extensión debe de ser cuando menos de la misma que la del cable del horno.
- (2) No use una extensión de corriente si el cable suministrado está muy delgado, solicite a un electricista que le instale un contacto cerca del equipo.

ADVERTENCIA:

No retire la tercera pata (tierra) del cable de alimentación bajo ninguna circunstancia.

INSTALACION

1. Examine el horno después de abrirlo.

Revise que no esté dañado, no tenga abolladuras, que la puerta esté alineada y que la cavidad no esté rayada o abollada. Si existe algún desperfecto visible, **NO INSTALE EL HORNO** y notifíquelo inmediatamente a su vendedor.

2. Superficie regular y estable.

Coloque el microondas sobre una superficie plana y estable.

3. Ventilación.

No obstruya las rejillas de ventilación. Si estas son bloqueadas durante la operación, el horno se puede calentar excesivamente y eventualmente tener alguna falla.

Para proporcionarle la adecuada ventilación, mantenga como mínimo 7 cm de espacio entre cualquier costado del horno y el lugar en donde va a instalarse.

4. Manténgalo alejado de equipos de radio y televisión.

Una mala recepción de televisión e interferencia en la radio pueden presentarse si el horno está colocado cerca de la TV, radio, antena, etc., Mantenga alejado el horno de microondas de estos equipos lo más que se pueda.

5. Manténgalo alejado de equipos generadores de calor y de llaves de agua.

No coloque el equipo en lugares calurosos y húmedos, para prevenir el riesgo de incendio o de sufrir una descarga eléctrica. Asimismo no lo instale cerca de la tarja.

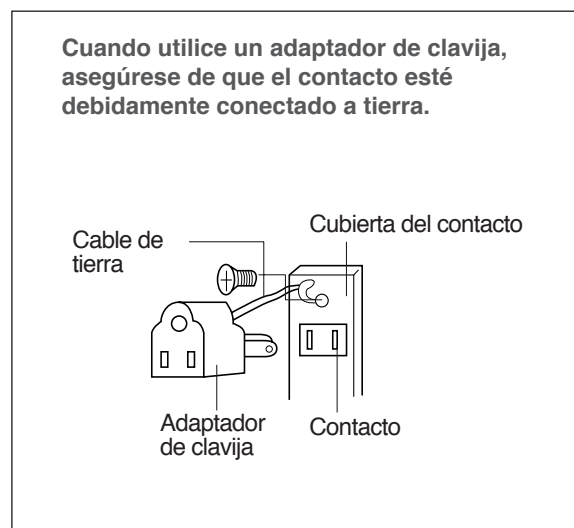
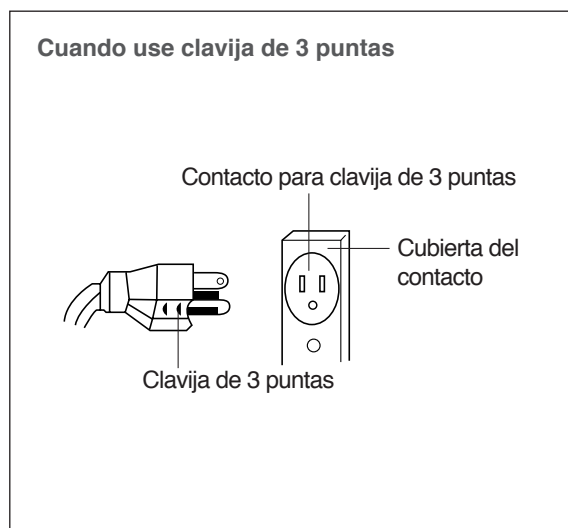
6. Suministro de Energía - Revise el voltaje de su domicilio.

Este horno de microondas requiere una corriente aproximada de 13A a 120V~ 60Hz y con contacto polarizado con conexión a tierra. Este horno tiene suministrado un cable de corriente corto; esto es con la intención de prevenir el riesgo de llegar a enredarse o tropezar con él. Se puede llegar a utilizar juegos de cable más largos o extensiones de corriente, siempre y cuando se tenga el debido cuidado en su uso.

Si se utiliza un cable largo o una extensión, entonces el rango eléctrico del cable (calibre) o de la extensión debe de ser por lo menos del mismo tipo que el usado en el horno.

El cable de extensión debe de ser del tipo de 3 conductores. El cable largo debe de acomodarse de forma que no se pueda producir un accidente, debido al tropezar o enredarse con él y a su vez de no quedar al alcance de los niños.

7. El espacio mínimo necesario que debe haber sobre la parte superior del horno es de 10 cm.



“EL REGLAMENTO ELECTRICICO CANADIENSE NO PERMITE EL USO DE ADAPTADORES DE TIERRA”

ESPECIFICACIONES

ALIMENTACIÓN		120V~ 60Hz EN FASE SENCILLA CON CONEXIÓN TIERRA
MICROONDAS	CONSUMO	1500 W
	ENERGÍA DE SALIDA	1000 W
	FRECUENCIA	2,450MHz
DIMENSIONES EXTERNAS APROX. (An.X Al.XFond.)		515 x 304 x 375 cm (20,3 x 12,0 x 14,8 pulgadas)
DIMENSIONES DE LA CAVIDAD APROX. (An.X Al.XFond.)		355 X 238 X 358 cm (14,0x 9,4 x 14,1 pulgadas)
CAPACIDAD		1,1 pies cúbicos (31,14 dm ³)
PESO NETO		13.4kg (29,5 lbs)
CRONOMETRO		59 min. 99 seg
NIVELES DE POTENCIA		10 niveles

**Las especificaciones pueden cabiar sin previo aviso para mejoras del equipo.*

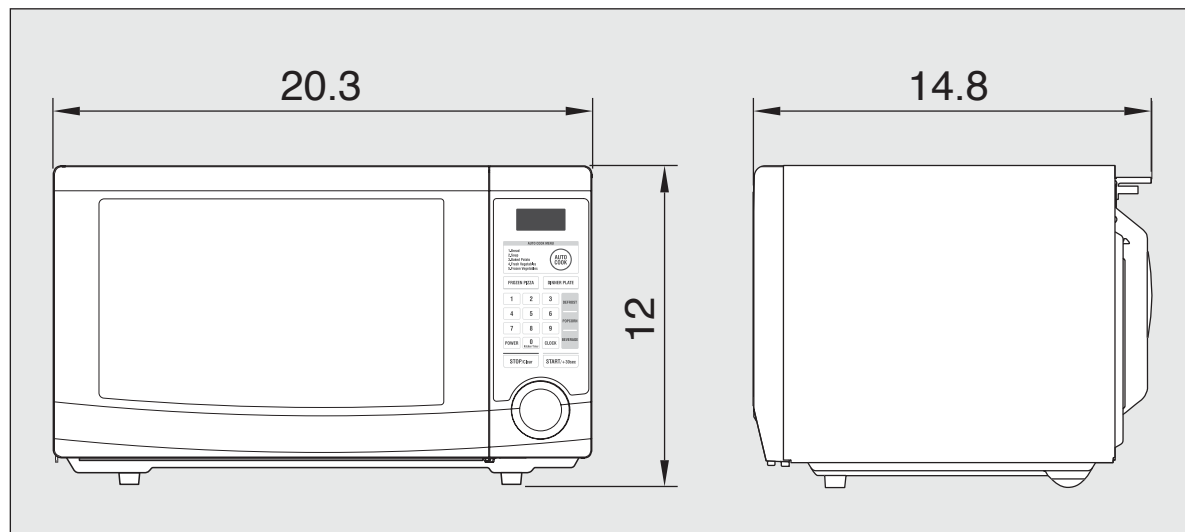
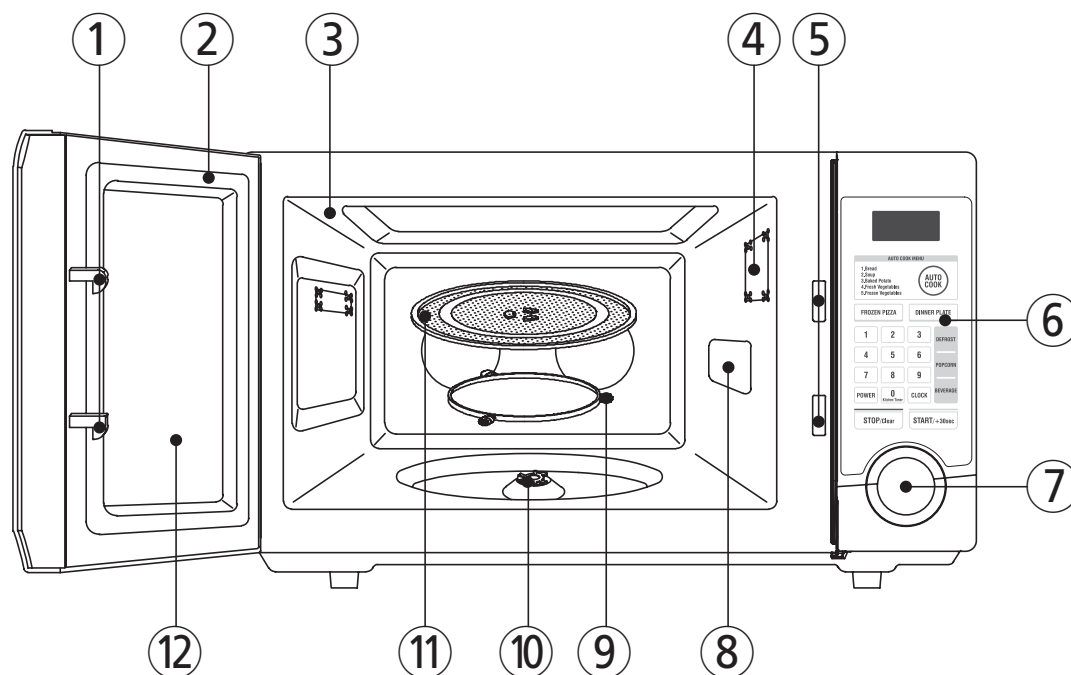
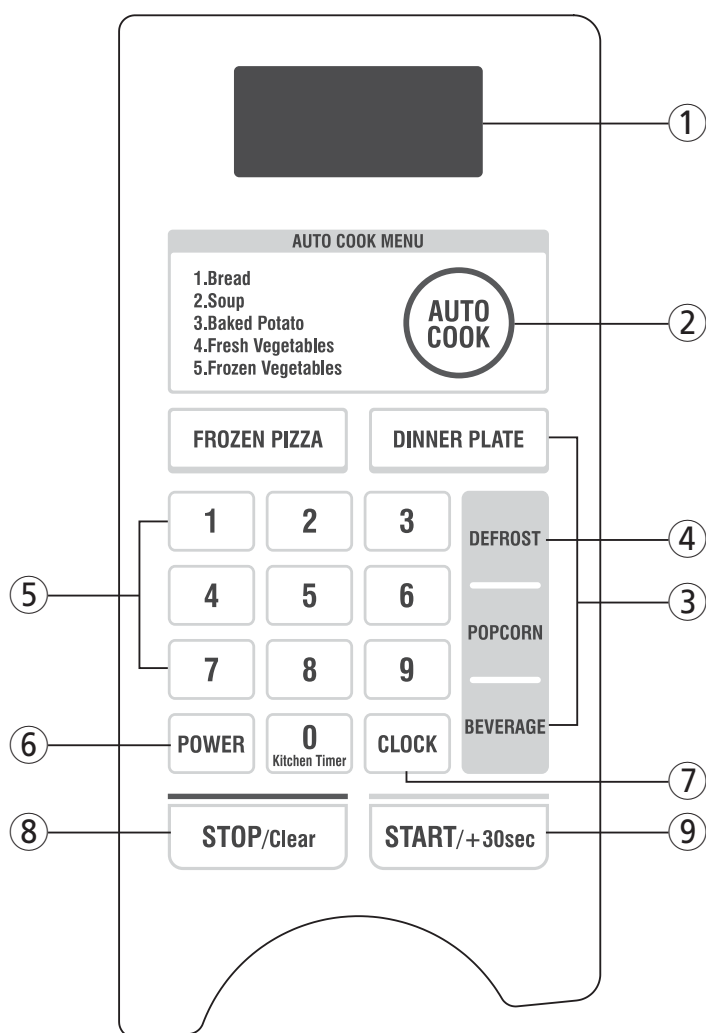


DIAGRAMA DE CARACTERISTICAS



- ① **Ganchos de la puerta** - Cuando la puerta está cerrada, los ganchos se activan automáticamente. Si la puerta está abierta mientras el horno está funcionando, el magnetrón se desactivará inmediatamente.
- ② **Sello de la puerta** - El sello de la puerta impide que las microondas se fugen de la cavidad del horno.
- ③ **Cavidad del horno**
- ④ **Lámpara del horno** - Se enciende automáticamente durante el funcionamiento del horno.
- ⑤ **SISTEMA DE SEGURIDAD PARA LOS GANCHOS**
- ⑥ **Panel de control**
- ⑦ **Botón para abrir el horno** - Para abrir la puerta del horno presione el botón de apertura.
- ⑧ **Cubierta protectora** - Protege la salida de las microondas del derrame de los alimentos al cocinarlos.
- ⑨ **Aro giratorio** - Este debe de ser siempre usado para cocinar junto con el plato de cocina de cristal.
- ⑩ **Acoplador** - Se inserta en el eje que está en el centro de la cavidad del horno. Debe permanecer en el horno para toda cocción.
- ⑪ **Plato de cocina de cristal** - Fabricado de cristal resistente al calor. El plato debe de estar en posición apropiada antes de cocinar. No caliente alimentos directamente en el plato.
- ⑫ **Visor de la puerta** - Permite ver los alimentos. El visor esta diseñado para que pueda pasar la luz pero no las microondas.

DIAGRAMA DE CARACTERÍSTICAS (continuación)



- ① **Pantalla** - Muestra el tiempo de cocinado, nivel de potencia, indicadores y la hora del reloj.
- ② **AUTO COCCIÓN** - Use para cocinar o recalentar su comida favorita.
- ③ **Cocinado de un toque** - Use para cocinar o recalentar cantidades específicas de comida.
- ④ **Descong.** - Use para descongelar alimentos por tiempo y peso.
- ⑤ **Botones numéricos** - Use para ajustar el tiempo de cocinado y la hora actual.
- ⑥ **Potencia** - Use para ajustar el nivel de potencia.
- ⑦ **Reloj** - Use para ajustar la hora del reloj.
- ⑧ **PARAR/Borrar** - Use para detener la operación del horno o para borrar un dato de cocinado.
- ⑨ **INICIO / +30 SEC** - Used iniciar el cocinado y también para ajustar el tiempo de recalentado.

PROCEDIMIENTO DE OPERACIÓN

Esta sección presenta información importante sobre el manejo del horno:

- 1** Conecte el horno a la toma eléctrica de 120V~60 Hz 13 Ampers.
- 2** Coloque los alimentos en un recipiente adecuado para microondas, después abra la puerta del horno y colóquelos sobre el plato de cristal. El plato de cristal y el aro se deben de usar para todo tipo de cocinado.
- 3** Cierre la puerta. Asegúrese que esté bien cerrada.
- 4** La luz interior se enciende solamente cuando el horno de microondas está en operación.
- 5** La puerta puede abrirse en cualquier momento aun cuando el horno esté operación; para hacerlo oprima el boton de apertura del panel. El horno se detendrá automáticamente.
- 6** Cada vez que presione un botón, se escuchará un BEEP cuando el horno reconozca una función.
- 7** El horno cocina automáticamente en potencia máxima, a menos que se indique algún nivel de potencia inferior.
- 8** En la pantalla se muestra “ : 0” cuando se conecta el horno.
- 9** Al término de algún proceso de cocción, en la pantalla se volverá a mostrar la hora del reloj.
- 10** Cuando se presiona el botón PARAR/BORRAR durante el funcionamiento del horno, el funcionamiento se detiene pero la información se conserva. Para borrar toda la información (excepto la hora actual), presione el botón PARAR/BORRAR una vez mas. Si la puerta se abre durante la operación del horno, la información también se detendra.
- 11** Si presiona el botón de INICIO y el horno no opera, revise que el área entre la puerta y el sello de la puerta no esten obstruidas y asegúrese que la puerta cierre correctamente.
El horno no comenzará a cocinar hasta que la puerta este completamente cerrada o que se reinicie la programación del cocinado.

Asegúrese de que el horno este correctamente instalado y conectado a la toma eléctrica.

TABLA DE NIVELES DE POTENCIA

- El nivel de potencia se ajusta por medio del botón de POTENCIA. La siguiente tabla muestra la indicación en la pantalla y su respectivo nivel y porcentaje de potencia.

Oprimir el botón de POTENCIA	Nivel de Potencia (Indicado en pantalla)	Porcentaje aproximado de Potencia
Una vez	P-HI	100%
Dos veces	P-90	90%
3 veces	P-80	80%
4 veces	P-70	70%
5 veces	P-60	60%
6 veces	P-50	50%
7 veces	P-40	40%
8 veces	P-30	30%
9 veces	P-20	20%
10 veces	P-10	10%
11 veces	P-00	0%

FUNCIONES DEL PANEL DE CONTROL

AJUSTE DEL RELOJ

Cuando el horno se conecte por primera vez a la toma de corriente, la pantalla digital desplegará “ : 0” y se escuchará un sonido. Si la energía se suspende momentáneamente, y luego regresa, la pantalla digital volverá a desplegar “ : 0”.



1. Presione el botón RELOJ.
Se muestra en modo de 12 horas.
2. Presione RELOJ una vez más.
El reloj cambia a modo de 24 horas.
3. Ajuste la hora del día oprimiendo los botones numéricos en secuencia.
4. Presione el botón RELOJ.

NOTA : Este horno tiene reloj con doble sistema de horario. Si usted prefiere usar el reloj con sistema de 12 horas, omita el segundo paso.

La pantalla deja de parpadear y el segundero comenzará a parpadear. Si usted selecciona el sistema de 12 horas, el reloj digital puede ser ajustado desde la 1:00 a las 12:59. Si selecciona el sistema de 24 horas, el reloj digital puede ser ajustado desde las 0:00 a las 23:59 horas.

NOTA: Si intenta ingresar un valor incorrecto o erróneo, la hora no se ajustará y se escuchará una señal de error. Oprima el botón de RELOJ y reajuste la hora.

TEMPORIZADOR DE COCINA

Esta característica funciona como un temporizador de cocina y se puede utilizar en modo de espera cuando el horno no está en uso.



1. Mantenga pulsado el número 0 almohadilla para unos 3 segundos.
2. Introduzca el tiempo que desea contar hacia abajo.

" - - : - - " aparecerá en la pantalla.

La pantalla mostrará lo que usted escribió.

NOTA: El tiempo máximo de temporizador de cocinas de 59 minutos y 99 segundos. (59:99).



3. Presione START para comenzar.

Cuando se acabe el tiempo, el horno emitirá un pitido.

DESCONGELAMIENTO POR PESO

Cuando selecciona la función DECONGELAR, el ciclo automáticamente se divide en periodos alternando tiempo de descongelación y tiempo de reposo en encendido y apagado.



1. Presione el botón DESCONG.
Para el modo de descongelamiento por peso.

La pantalla mostrará "0.0".

2. Presione los botones numéricos para introducir el peso deseado.

La pantalla mostrará los valores que seleccionó

3. Presione el botón de INICIO

NOTA: Usted puede programar su horno entre 200g a 3kg (0,5lb. ~ 6,5lb) en modo de descongelamiento por peso.

El tiempo de descongelación es determinado automáticamente por el peso introducido.

Cuando presione el botón INICIO, la pantalla mostrará la cuenta regresiva del tiempo de descongelamiento. Durante el ciclo de descongelamiento el horno emitirá un sonido, avisando cada vez que los alimentos necesiten voltearse o moverse.

Cuando el tiempo de descongelar concluya, Ud. oirá 3 sonidos.

DESCONGELAMIENTO POR TIEMPO

Cuando se elige la función DESCONGELAMIENTO POR TIEMPO, el ciclo divide automáticamente el tiempo de descongelado en períodos alternados de descongelamiento y reposo.



1. Presione le botón Descong.
2 veces.
Este es el modo de descongelamiento por tiempo.

La pantalla mostrará "0,0".

2. Presione los botones numéricos para ingresar el tiempo deseado.

La pantalla mostrará los valores seleccionados.

3. Presione el botón de INICIO

NOTA: Su horno puede ser programado por 59 minutos, 99 segundos.(59:99).

Cuando presione el botón INICIO, la pantalla mostrará la cuenta regresiva del tiempo de descongelamiento.

Durante el ciclo de descongelamiento el horno emitirá un sonido, avisando cada vez que los alimentos necesiten voltearse o moverse. Cuando el tiempo de descongelar concluya, Ud. oirá 3 sonidos.

COCINADO EN UNA ETAPA

POWER

1. Presione el botón POTENCIA.
(Seleccione el nivel desado).

La pantalla mostrará el nivel ajustado.

NOTA: Si se omite el paso 1, entonces el horno cocinará a la potencia máxima.

2. Presione los botones numéricos para ajustar el tiempo de cocción.

La pantalla mostrará el tiempo ajustado.

NOTA: Su horno puede ser programado por 59 minutos y 99 segundos. (59:99)

3. Presione el botón INICIO

Cuando presione el botón de INICIO.

Se mostrará la cuenta regresiva del tiempo de cocinado y el tiempo restante. Cuando el tiempo de cocinado concluya, usted oirá 3 sonidos.

NOTA: Al utilizar los niveles de potencia más bajos se debe aumentar el tiempo de cocción, esto es recomendable para alimentos tales como: queso y leche, asimismo para el cocinado lento de carnes.

COCINADO EN DOS ETAPAS

Todas las recetas requieren que los alimentos congelados sean descongelados antes de cocinarlos.

DEFROST

1. Preseion el botón Descong.
(Seleccione el modo descongelamiento por peso o por tiempo).

La pantalla mostrará los valores seleccionados.

2. Presione los botones numéricos para ajustar el tiempo o peso que desea.

POWER

3. Presione el botón POTENCIA.
(Seleccione el nivel de potencia).

Se muestra "P-HI". La pantalla mostrará lo que usted selecciono.

4. Presione los botones numéricos para ajustar el tiempo de cocción deseado.

La pantalla mostrará los valores seleccionados.

5. Presioneel botón de INICIO

La pantalla m ostrará en cuenta regresiva el tiempo restante del modo DESCONG. Cuando el horno emita un beep, retire o distribuya la comida. Al termino del modo Descong. el horno emitirá un beep y el modo de cocinado comenzará.

la pantalla mostrará en cuenta regresiva el tiempo restante del modo de cocinado. Cuando el modo de cocinado termine, ud. oirá 3 beeps. Durante el modo de descongelado o cocinado, si presiona el botón DESCONG. la pantalla mostrará "dEF" por 3 segundos. Durante el modo de descongelado o cocinado, si presiona el botón POTENCIA, la pantalla mostrará el nivel de potencia actual por 3 segundos.

+30 seg

La función +30 seg, le permitirá recalentar sus alimentos por 30 segundos al 100% (potencia máxima) de forma fácil presionando el botón +30seg. Presionando el botón +30seg repetidamente, ud. puede extender el tiempo del recalentado a 5 minutos en intervalos de 30 segundos.



1. Presione el botón +30seg.

Cuando ud. presione el botón +30seg la pantalla mostrará "0.30" y el horno comenzará a recalentar.

COCINADO EN UN TOQUE

Con simplemente presionar un botón, Ud. podrá calentar muchos de sus alimentos favoritos. Para cambiar la cantidad, presione continuamente el botón hasta que la cantidad aparezca en la pantalla.



1. Presione el botón BEBIDAS una vez para una taza, dos veces para 2 tazas y 3 veces para 3 tazas.

Cuando presione el botón BEBIDAS una vez, en pantalla se mostrará "1". Después de unos segundos, la pantalla cambiará al tiempo de cocinado y el horno comenzará a cocinar.

* BEBIDAS (200ml/taza) *

- 1 Taza : Oprima BEBIDAS una vez.
- 2 Tazas : Oprima BEBIDAS dos veces seguidas (rápidamente)
- 3 Tazas : Oprima BEBIDAS tres veces seguidas (rápidamente)



1. Presione el botón de PIZZA CONGELADA una vez para 200gr de pizza o 2 veces para 400gr.

Cuando presione el botón de PIZZA CONGELADA en pantalla se mostrará "200". Después de unos segundos, la pantalla cambiará al tiempo de cocinado y el horno comenzará a cocinar.

* PIZZA CONGELADA *

- 200g : Oprima Pizza una vez.
- 400g : Oprima Pizza dos veces seguidas (cada 1,5 segundos).

- NOTA :**
1. Coloque sólo una pizza congelada a la vez.
 2. Cocine sólo pizzas congeladas elaboradas para microondas.
 3. Si el queso de la pizza congelada no se derrite lo suficiente, cocínela algunos segundos más.
 4. Algunas marcas de pizza congelada pueden requerir menor o mayor tiempo de cocción.

COCINADO EN UN TOQUE (continuación)

DINNER PLATE

1. Presione el botón PLATO COMIDA una vez, para una porción de 350gr ó 2 veces para un porción de 450gr.

Cuando presione el botón de PLATO COMIDA en pantalla se mostrará "350". Después de unos segundos, la pantalla cambiará al tiempo de cocinado y el horno comenzará a cocinar.

* PLATO COMIDA *

- 350g : Oprima PLATO COMIDA una vez.
- 450g : Oprima PLATO COMIDA dos veces seguidas (rápidamente)

POPCORN

1. Presione el botón POPCORN una vez para un paquete de 99g o 3 veces para un paquete de 85g.

Cuando presione el botón POPCORN en pantalla se mostrará "99". Después de unos segundos, la pantalla cambiará al tiempo de cocinado y el horno comenzará a cocinar.

* POPCORN *

- 99g : Oprima Popcorn una vez.
- 85g : Oprima Popcorn dos veces seguidas (rápidamente)

- NOTA :**
1. Use paquetes de palomitas especiales para microondas.
 2. Coloque el paquete de palomitas según las instrucciones del fabricante.
 3. Preparará un paquete de palomitas a la vez.
 4. Después de preparar, abra el empaque con cuidado las palomitas y el vapor están muy calientes.
 5. No recaliente el maíz sobrante, ni use la misma bolsa.
 6. No deje que el horno funcione sin supervisión.

PRECAUCIÓN : Si el paquete de palomitas es de un peso diferen al programado en la opción, entonces no use el botón de PALOMITAS. Siga las instrucciones del fabricante.

AUTO COCCIÓN

La función AUTO COCCIÓN le permite cocinar o recalentar muchos de sus alieimntos favoritos con sólo presionar el botón AUTO COCCIÓN. Cuando presiona el botón AUTO COCCIÓN, la pantalla mostrará "AC-1". Presionando repetidamente el botón ud. puede seleccionar otra categoria de alimento como se muestra a continuación.



1. Presione el botón AUTO COCCIÓN una vez para 4 piezas de PAN. La pantalla mostrará "AC-1".

2. Presione el botón AUTO COCCIÓN dos veces para 350g de SOPA. La pantalla mostrará "AC-2".

3. Presione el botón AUTO COCCIÓN tres veces para 3 piezas de PAPAS La pantalla mostrará "AC-3".

4. Presione el botón AUTO COCCIÓN cuatro veces para 200g de VEGETALES FRESCOS La pantalla mostrará "AC-4".

5. Presione el botón AUTO COCCIÓN cinco veces para 200g de VEGETALES CONGELADOS. La pantalla mostrará "AC-5".

Cunado presione el botón INICIO, la pantalla mostrará el tiempo de cocinado, cantidad, y el horno comenzará a cocinar.

SEGURO CON BLOQUEO

El seguro con bloqueo previene el uso indebido del horno como podría serlo por niños pequeños.

Para ajustarlo, presione y mantenga presionado el botón PARAR/BORRAR por 3 segundos, hasta escuchar un sonido. Para cancelar el bloqueo, presione y mantenga presionado el botón PARAR/BORRAR por 3 segundos, hasta escuchar un sonido.

PARA AJUSTAR EL MODO DE AHORRO DE ENERGÍA

1. Presione el botón PARAR/BORRAR.

La hora o “:0” aparecerá en pantalla.

2. Presione y mantenga presionado el botón RELOJ por más de 3 segundos.

La pantalla se apagará y ud. oirá un beep.

Para operar el horno en modo de ahorro de energía, presione cualquier botón.

Después la hora o “:0” se mostrará y el funcionamiento de todos los botones será igual que en modo normal.

Pero si no hay un funcionamiento en 10 segundos, todo el contenido de pantalla se borrará.

3. Para cancelar este modo de ahorro, simplemente repita el modo de ajuste. Cuando la pantalla este encendida.

El modo de ahorro de energía se cancelará y ud. oirá un beep.

El horno estará disponible nuevamente en modo normal.

PARA DETENER EL HORNO MIENTRAS ESTA EN FUNCIONAMIENTO

1. Presione el botón PARAR / BORRAR.

- Usted puede reiniciar el horno con sólo presionar INICIO.
- Presione PARAR / BORRAR una vez más para borrar todas las instrucciones.
- Entonces usted puede ajustar nuevas instrucciones de operación.

2. Abra la puerta.

- Usted puede reiniciar el horno cerrando la puerta y oprimiendo el botón INICIO.

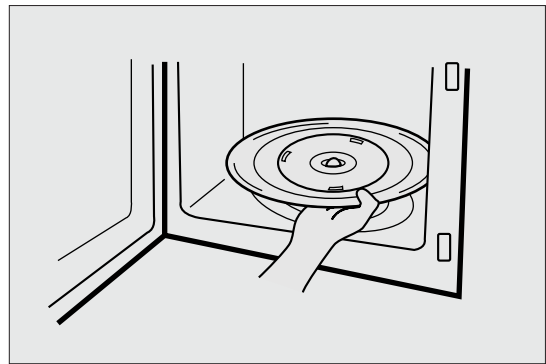
NOTA: El horno detiene su funcionamiento cuando la puerta se abre.

CUIDADO DE SU HORNO DE MICROONDAS

El horno se debe limpiar regularmente y quitar cualquier depósito del alimento.

La falta de cuidado y limpieza del horno, puede propiciar al deterioro de la superficie que podría afectar la vida de operación del horno y dar lugar a una situación peligrosa.

- 1** Desconecte el horno antes de limpiarlo.
- 2** Mantenga limpio el interior del horno. Cuando los alimentos salpiquen las paredes o se derramen en el interior, limpie el interior con un paño húmedo. Puede usar un detergente suave si el horno se encuentra demasiado sucio. No es recomendable usar detergentes fuertes o abrasivos.
- 3** La parte exterior del horno debe limpiarse con agua y jabón, y enjuagarse y secarse con un paño suave. Para evitar daños a las partes que operan dentro del horno, no permita que entre agua por la abertura de ventilación.
- 4** Si el panel de control se moja, límpielo con un paño suave. No use detergentes o abrasivos fuertes en el panel de control.
- 5** Si se acumula vapor en el interior del horno o el borde de la puerta, límpielo con un paño suave. Esto suele ocurrir cuando el horno de microondas está siendo operado bajo condiciones de alta humedad, sin embargo, esto no es un indicio de mal funcionamiento.
- 6** Ocasionalmente es necesario retirar el plato de cristal para limpiarlo. Lávelo en agua tibia con jabón o en lavaplatos automático.
- 7** El arillo y la base de la cavidad, deben limpiarse regularmente para evitar que hagan demasiado ruido. Simplemente limpie la superficie con agua y detergente suave o con limpiador de ventanas y seque. El eje puede lavarse con agua tibia.

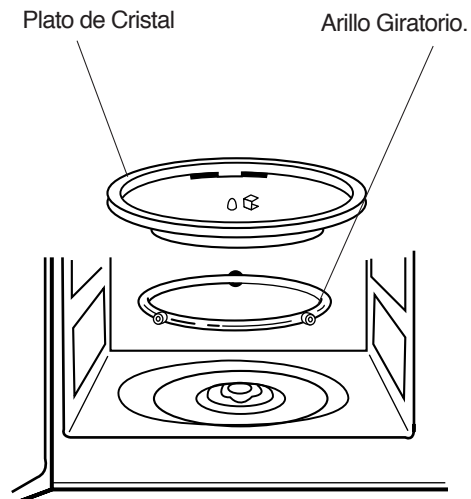


ARO GIRATORIO

- 1** El ARILLO y la base de la cavidad, deben limpiarse regularmente para evitar que hagan demasiado ruido.
- 2** El Plato de Cristal siempre debe colocarse sobre el ARILLO para cocinar.

PLATO DE CRISTAL

- 1** No opere el horno si el Plato de Cristal, no está en su lugar
- 2** No use ningún otro plato de cristal en este horno.
- 3** Si el plato de cristal está caliente, permita que se enfríe antes de limpiarlo o colocarlo en agua.
- 4** No cocine directamente sobre el Plato de Cristal (Excepto para palomitas.)



ANTES DE LLAMAR AL SERVICIO TECNICO

Revisando la siguiente lista, usted podría evitar una llamada innecesaria al servicio técnico.

* El horno no funciona:

1. Revise que el cable de alimentación eléctrica esté bien conectado.
2. Revise que la puerta esté firmemente cerrada.
3. Revise que el tiempo de cocción esté seleccionado.
4. Revise si los fusibles de su casa se encuentran en perfecto estado o si hay algún corto circuito.

* Chispas en el interior:* Chispas en el interior:

1. Revise que los utensilios empleados no sean de metal o no tengan algún borde metálico.
2. Revise que las brochetas metálicas o el papel aluminio no estén rozando en las paredes internas del horno.

Si el problema persiste ,llame al centro de servicio mas cercano a su domicilio.

La lista de centros de servicio se encuentra en el certificado de garantía que viene en el interior del horno.

CUIDADO Y LIMPIEZA

Aunque en su horno se proporcionan características de seguridad, es importante observar lo siguiente:

1. Es importante no bloquear o tapar los dispositivos de seguridad.
2. No coloque ningún objeto entre la parte frontal del horno y la puerta ni permita que el residuo se acumule en los sealing surfaces. engranes de seguridad. Limpie el área de seguridad frecuentemente con un detergente neutro,Nunca utilice detergentes en polvo ni corrosivos.
3. Cuando abra la puerta, cerciórese de cerrarla, ya que dejarla abierta podría ocasionar cuelgue de ésta o que cualquier peso pueda causar que el horno caiga y ocasione algún accidente o que la puerta se dañe. No opere el horno si se encuentra dañado hasta que haya sido reparado por un técnico especialista. Es particularmente importante que el horno se cierre correctamente y que no tenga daños en:
 - i) Puerta (doblada)
 - ii) Bisagras y ganchos (rotos o sueltos)
 - iii) Sellos de la puerta y de la superficie.
4. El horno no debe de ser reparado o ajustado por cualquier persona solo por un técnico especializado.
5. El horno se debe de limpiar regularmente y remover los depositos de comida.
6. La falta de cuidado y limpieza del horno, puede propiciar al deterioro de la superficie que podría afectar la vida de operación del horno y dar lugar a una situación peligrosa.

PREGUNTAS Y RESPUESTAS

- * **P: Accidentalmente puse a funcionar el horno sin comida. ¿Lo habre dañado?**
R: Operar el horno sin alimentos en el interior durante un corto período no llega a dañarlo. Sin embargo, no se recomienda hacerlo.
- * **P: ¿Puedo operar el horno sin el plato de cristal o sin la guía giratoria?**
R: No. Ambos utensilios deben de utilizarse en el horno antes de cocinar algún alimento.
- * **P: ¿Puedo abrir la puerta cuando el horno esta operando?**
R: Si, la puerta puede abrirse en cualquier momento durante la operación. El magnetrón se detiene automáticamente y la energía se desconecta, además, que el tiempo de cocción restante se mantiene para su reinicio.
- * **P: ¿Porqué se acumula vapor en el horno de microondas después de cocinar?**
R: La acumulación de humedad es normal que ocurra. Esto sucede, porque la comida produce vapor al cocinarse.
- * **P: ¿La energía de las microondas puede traspasar la ventanilla de la puerta?**
R: No. La pantalla de metal de la ventanilla hace regresar la energía de las microondas dentro de la cavidad del horno. Los orificios estan hechos para permitir el paso de la luz a través de ellos pero no deja pasar la energía.
- * **P: ¿Porque los huevos en ocasiones estallan?**
A: Cuando se cocinan huevos en el horno de microondas los huevos pueden estallar por la acumulación de vapor dentro de la membrana de la yema. Para prevenir esto, perfora la yema del huevo antes de cocinar. Nunca cocine huevos sin antes perforarlos.
- * **P: ¿Por qué se recomienda el tiempo de reposo después de haber completado la cocción?**
R: El tiempo de reposo es muy importante. Cocinando con el microondas, el calor está en la comida, no en el horno. Muchos alimentos pueden acumular mucho calor para permitir que el proceso de cocción continúe, incluso cuando la comida se retira después de la cocción. El tiempo de reposo permite que en el interior se cocinen los trozos de carne, los vegetales y el pan completamente sin sobre calentarlo de afuera.
- * **P: ¿Que significa “tiempo de reposo”?**
R: “Standing time” o tiempo de reposo significa retirar los alimentos del horno y taparlos, para agregar tiempo de cocción final. Esto deja libre al horno para otra cocción.
- * **P: ¿Por qué mi horno no siempre cocina tan rápido como lo indica la guía de cocción del microondas?**
R: Verifique su guía de cocción una vez más, para asegurarse que ha seguido las instrucciones; y ver cuál podría ser la causa de variación del tiempo de cocción. Los tiempos de cocción y los ajustes de potencia se sugieren como ayuda para prevenir sobre-calentamiento...el problema más común al usar el horno de microondas. Variaciones en el tamaño, forma, peso y dimensiones pueden requerir más tiempo de cocción. Use su criterio junto con las sugerencias de la guía rápida de cocción para verificar cual es la mejor forma de cocinar en el horno de microondas y que se asemeje a la manera de cocinar de manera convencional.
- * **P: ¿El horno microondas puede dañarse si se opera cuando está vacío?**
R: Sí, nunca lo haga funcionar vacío.
- * **P: ¿Puedo operar el horno de microondas sin el plato de cristal o cambiarlo por un plato grande?**
R: No. Si usted quita el plato de cristal puede obtener resultados pobres. Los utensilios utilizados deben colocarse sobre el plato.
- * **P: ¿Es normal que el plato de cristal cambie de dirección al girar?**
R: Sí. El plato de cristal gira en el sentido de las manecillas del reloj y al revés, dependiendo del motor cuando empieza el ciclo de cocción.
- * **P: ¿Puedo cocinar palomitas de maíz dentro del horno? Como obtengo el mejor resultado?**
R: Sí. Siguiendo las instrucciones del fabricante de los empaques para palomitas. No utilice las bolsas regulares de papel. Detenga el horno tan pronto y que el tiempo entre un tronido de grano de maíz sea entre 1 y 2 segundos. No recaliente las mismas palomitas. No cocine los granos dentro de un recipiente.

UTENSILIOS DE COCINA

Utilice únicamente utensilios aptos para hornos microondas.

Para cocinar con microondas, las microondas deben poder penetrar en los alimentos, sin que el plato utilizado las refleje o las absorba. Elija el utensilio con atención. Si el utensilio indica que es a prueba de microondas, no tiene nada de que preocuparse. La tabla siguiente contienen varios utensilios e indica si son aptos y cómo utilizarlos en un horno de microondas.

Utensilio	Seguro	Comentarios
Papel de aluminio	▲	Se pueden producir chispas si el papel de aluminio está demasiado cerca de las paredes del horno o si se utiliza en gran cantidad.
Bandeja rígida	●	No precalentar más de 8 minutos.
Cerámica y porcelana	●	La porcelana, la cerámica y la tierra cocida suelen ser aptas si no tienen ribetes metálicos.
Platos de poliéster desechables	●	Algunos alimentos congelados están envueltos en estos platos.
Contenedores de comida rápida • Vasos de poliestireno • Bolsas de papel o papel periódico • Papel reciclado o rebordes metálicos	● × ×	Se puede utilizar para calentar alimentos. Si se calienta demasiado, el poliestireno se puede fundir. Puede prender fuego. Puede provocar chispas.
Cristal • Utensilios de presentación de platos • Vajilla • Jarrones	● ● ●	Se puede utilizar si no tiene ribetes metálicos. Se puede utilizar para calentar alimentos o bebidas. El cristal delicado se puede romper o agrietar si se calienta repentinamente. Retire el líquido.
Metal • Platos • Hilos de alambre para cierre de bolsas	× ×	Puede provocar chispas o fuego.
Papel • Platos, vasos, servilletas y papel de cocina • Papel reciclado	● ×	Apto para calentar y para tiempos breves de cocción. También absorbe el exceso de humedad. Puede provocar chispas.
Plástico • Contenedores • Película adherente • Bolsas refrigeradas	● ● ▲	Especialmente remendado si es plástico termoresistente. Otros plásticos pueden deformarse o decolorarse a altas temperaturas. No utilice plástico de melanina. Se puede usar para retener la humedad. No debe estar en contacto con los alimentos. Tenga mucho cuidado al retirar la película, ya que puede desprender vapor muy caliente. Sólo si soporta agua hirviendo o si son a prueba de microondas. No deben ser herméticas. Pique con un tenedor, si es necesario.
Papel vegetal	●	Se puede utilizar para retener la humedad y evitar salpicaduras.

● : Uso recomendado

▲ : Uso limitado

× : No recomendo

COMO USAR EL HORNO DE MICROONDAS SIN RIESGO

Uso General

Es importante no obstruir los orificios o eliminar los ganchos de seguridad de la puerta.

No coloque ningún objeto entre la parte frontal y la puerta, ni permita que se acumulen residuos o suciedad en las superficies desellado.

Limpie continuamente las superficies de sellado con detergente suave, enjuague y seque. Nunca use polvos o limpiadores abrasivos.

No permita que la puerta se deforme o sufra algún daño al estar abierta, por ejemplo cuando un niño se cuelgue o se apoye alguna carga. Esto puede causar que el horno se voltee y caiga, dañándose la puerta o el equipo.

No opere el horno si está dañado y hasta no ser reparado por un técnico calificado. Es importante que la puerta cierre apropiadamente y que no existan daños en los sellos, superficie de sellado, bisagras y seguros.

No haga funcionar el horno si se encuentra vacío. Esto puede dañar el horno.

No intente usar el horno para secar ropa, trapos, papel periódico u otros materiales. Estos pueden causar fuego.

No use productos de papel reciclado, ya que estos pueden contener impurezas, las cuales pueden causar fuego. No maltrate ni golpee el panel de control. Esto puede dañar el horno.

Alimentos

Nunca utilice su horno de microondas para esterilizar comida en casa. El horno no está diseñado para esterilizar adecuadamente. La comida mal esterilizada puede descomponerse y ser peligrosa para su consumo.

Siempre procure utilizar el menor tiempo de cocción de la receta. Recuerde que es mejor dejar un poco crudo que bien cocido. Si la comida quedó cruda puede regresarse al horno para volverla a cocinar. Si la comida está muy cocida y se ha quemado, entonces ya nada se puede hacer.

Las pequeñas cantidades de alimento o la comida con bajo contenido de humedad puede llegar a quemarse, secarse o inflamarse si el tiempo de cocción es demasiado largo.

No cocine huevos con cascarón o con la yema entera, ya que la presión podría hacer que el huevo explote.

Revuelva los huevos antes de cocinar.

Papas, manzanas, yemas de huevo, pollo, jitomates y salchichas son ejemplos de comidas con pieles no porosas, las cuales se deben perforar antes de cocinarse para evitar que estallen.

No intente freír en el horno de microondas.

Los líquidos calientes pueden hacer ebullición si no se olean un poco. No caliente líquidos en su horno de microondas sin revolverlos constantemente.

No descuide el horno mientras se cocinan las palomitas.

No cocine el maíz palomero en bolsas de papel común y corriente, a menos que se trate de un producto especial para preparar palomitas en microondas. Las semillas de maíz se pueden sobrecalentar e incendiar las bolsas de papel estraza. No coloque la bolsa de palomitas directamente sobre el plato. Póngalas en un recipiente especial para microondas. No use aceite al menos que esto se halle especificado por el fabricante.

No exceda el tiempo de cocción indicado por el fabricante de las palomitas.

La cocción prolongada no hará que estalle más el maíz, y sólo ocasionará que se quemen e incendien.

Recuerde que después de hacerlas palomitas, el plato y la bolsa estarán muy calientes. Tome la bolsa cuidadosamente usando pinzas para cocina y utilice guantes para retirar el plato del horno.

ARCO ELÉCTRICO

Si usted ve un arco eléctrico, oprima el botón o almohadilla PARAR/BORRAR y corrija el problema.

Se le llama arco eléctrico a las chispas en el horno de microondas.

Los arcos son causados por:

- Partes metálicas o papel aluminio que tocan los lados del horno.
- Papel aluminio que no tiene el contorno del alimento (los bordes hacia arriba funcionan como antenas).
- Objetos de metal dentro del microondas, como alambritos para cerrar, agujas para coser aves, o platos con bordes de oro.
- Uso en el microondas de toallas de papel reciclado que contengan pequeñas piezas de metal.



Garantía limitada

MC Appliance Corporation garantiza que todas las Encimera horno de microondas carecen de defectos en el material y la mano de obra y acuerda solucionar cualquiera de estos defectos o instalar la(s) parte(s) nueva(s) (a elección de la compañía) en caso de que la unidad haya fallado durante el periodo de garantía. Las partes y gastos de reparación están cubiertos en esta unidad por un periodo de un año a partir de la fecha de compra. Se requiere una copia de la factura o recibo de compra para recibir el servicio de garantía por parte de un agente de servicio autorizado.

Además MC Appliance corporation autoriza el magnetrón (piezas solamente) para estar libre de defectos en material y la ejecución por un período de ocho años. El consumidor es responsable de todo el trabajo y los costos del transporte relacionados con la diagnosis y el reemplazo del magnetrón después de las uno garantías inicial del año expiran. Si en el acontecimiento la unidad requiere el reemplazo o el reembolso bajo términos de esta garantía el consumidor es responsable de todos los costos del transporte volver la unidad a nuestra fábrica antes de recibir una unidad o un reembolso del reemplazo.

Esta garantía cubre los aparatos que se usen dentro de los Estados Unidos continentales, Alaska, Hawái y Puerto Rico. La garantía no cubre lo siguiente:

- Daños debido al daño del envío o a la instalación incorrecta.
- Daños debido al mal uso o abuso.
- Pérdidas de contenido debido a falla de la unidad.
- Componentes internos como platos giratorio, guía de rodillos, bombillas, etc.
- Las reparaciones se realizaron por los agentes desautorizados del servicio.
- Llamadas de servicio que no implican defectos en material y la ejecución tal como instrucción en el uso apropiado del producto o de la instalación incorrecta.
- Reemplazo o reajuste de los fusibles o de los interruptores de la casa.
- Falla de este producto si se usa con fines distintos a los que fue diseñado.
- Costes de la disposición de unidades falladas no vueltas a nuestra fábrica.
- Todos los gastos de entrega/instalación incurridos como resultado de una unidad que no cumple con lo especificado.
- Gastos de viajes y el transporte de los productos principales de servicio si su aparato está situado en una zona remota donde el servicio por un técnico de servicio no está disponible.
- La remoción y reinstalación de su gran aparato, si está instalado en un lugar inaccesible o no está instalado de conformidad con las instrucciones de instalación publicadas.
- Restituciones por productos no reparables se limita al precio pagado por la unidad por el recibo de compra.

Limitaciones de remedios y exclusiones:

La reparación del producto de acuerdo con los términos de este documento, es el único y exclusivo remedio determinado en esta garantía limitada. Todas y cada una de las garantías implicadas, incluyendo la calidad de comerciable y capacidad para un propósito particular, se limitan mediante la presente a un año o el periodo más corto permitido por la ley. MC Appliance Corporation no es responsable por daños incidentales ni resultantes y ningún representante o persona alguna están autorizados para asumir de parte nuestra ninguna otra responsabilidad en relación con la venta de este producto. Bajo ninguna circunstancia se le permite al consumidor regresar esta unidad a la fábrica sin consentimiento previo por escrito de MC Appliance Corporation.

Algunos estados prohíben la exclusión o limitación por daños incidentales o resultantes, o limitaciones en las garantías implícitas. Esta garantía le otorga a usted derechos legales específicos, y usted puede también tener otros derechos que varían según la entidad federal/va donde se encuentre.

Modelo	Piezas & Trabajo	Magnetrón (Parte solamente)	Tipo de servicio
HMD1110W	Uno año	Ocho años	Lleve adentro
HMD1110B	Uno año	Ocho años	Lleve adentro

Para servicio o asistencia, llame por favor al 888-775-0202. O visítenos en www.mcappliance.com para solicitar el servicio de garantía o repuestos.



CNA International, Inc. realiza negocios bajo el nombre de MC Appliance Corporation. Derechos reservados.

El logotipo Magic Chef® es una marca registrada de CNA International, Inc.

www.mcappliance.com

Impreso en China