

This Owner's Manual is provided and hosted by [Appliance Factory Parts](#).



MAGIC CHEF MCDR450SEF Owner's Manual

[Shop genuine replacement parts for MAGIC CHEF
MCDR450SEF](#)



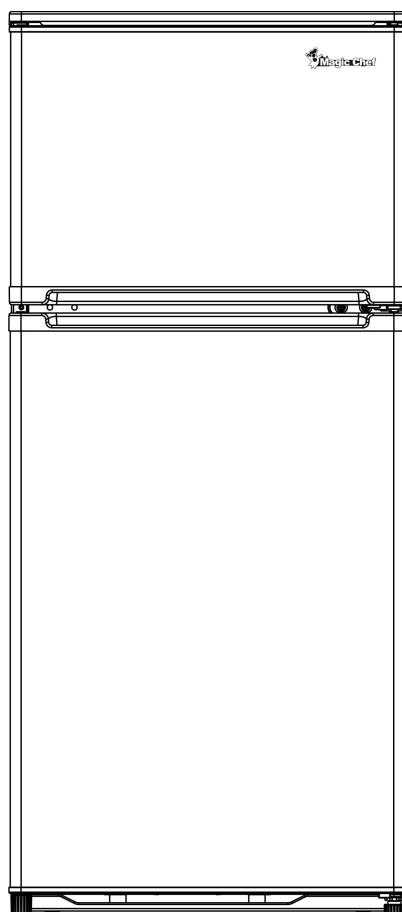
[Find Your MAGIC CHEF Refrigerator Parts - Select From 316 Models](#)

----- Manual continues below -----



4.5 CU.FT. REFRIGERATOR INSTRUCTION MANUAL

Model No.: MCDR450WEF
MCDR450BEF
MCDR450SEF



To ensure proper use of this appliance and your safety, please read the following instructions completely before operating this appliance.

Product Registration Copy

Thank you for purchasing a Magic Chef product. The first step in protecting your new product is to complete the product registration form on our website at **www.mcappliance.com/register** .The benefits of registering your product include the following.

1. Registering your product will allow us to contact you regarding a safety notification or product update.
2. In the event that warranty service is required, registering your product will allow for more efficient warranty service processing.
3. In the event of an insurance loss registering your product could act as your proof of purchase.

Once again thank you for purchasing a Magic Chef product.

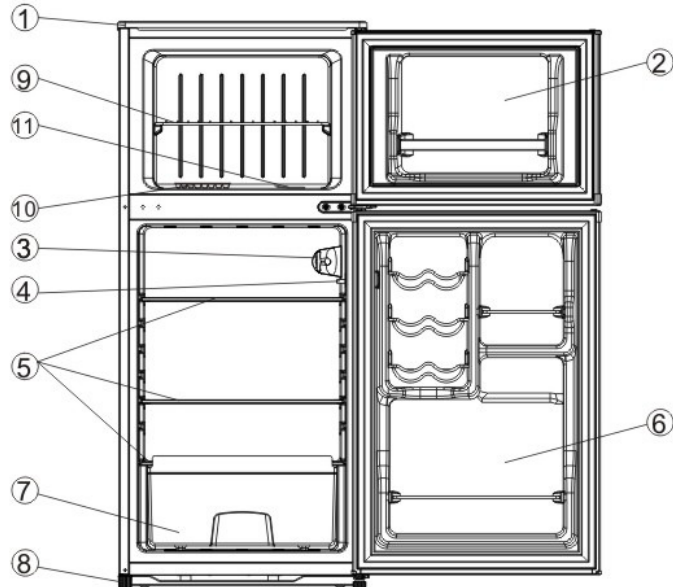
TABLE OF CONTENTS

NAMES OF THE PARTS.....	3
SPECIFICATIONS.....	3
IMPORTANT SAFETY INSTRUCTIONS.....	4
INSTALLATION INSTRUCTION	
BEFORE USING YOUR REFRIGERATOR	4
INSTALLING YOUR REFRIGERATOR	4
ELECTRICAL CONNECTION.....	5
OPERATING YOUR REFRIGERATOR	
TEMPERATURE CONTROL.....	6
ICE TRAY.....	6
THE FREEZER COMPARTMENT.....	6
WHEN TO DEFROST	6
HOW TO DEFROST	7
HOW TO CHANGE THE INTERIOR LIGHT.....	7
CHANGING THE REVERSIBLE DOOR	8
CARE AND MAINTENANCE	
CLEANING YOUR REFRIGERATOR.....	9
VACATION TIME.....	9
MOVING YOUR REFRIGERATOR.....	9
ENERGY SAVING TIPS.....	9
TROUBLESHOOTING GUIDE.....	10 - 11
REFRIGERATOR WARRANTY.....	12

NAMES OF THE PARTS

MODEL NO. MCDR450WEF/MCDR450BEF/MCDR450SEF

- (1) Cabinet Tabletop
- (2) Door, Freezer Section
- (3) Temperature Control Box
- (4) Interior Light Switch
- (5) Shelf, Refrigerator Section
- (6) Door, Refrigerator Section
- (7) Crisper
- (8) Leveling Leg
- (9) steel shelf
- (10) Ice Tray
- (11) Ice shovel



⚡WARNING⚡ : Never touch the interior of the Freezer Chamber or frozen foods in the compartment with wet hands as this could result in frost bite.

SPECIFICATIONS – Model # MCDR450WEF/MCDR450BEF/MCDR450SEF

Product Description	Magic Chef 2 Door Refrigerator		
Model No.	MCDR450WEF/MCDR450BEF/MCDR450SEF		
Capacity	4.5 Cu. Ft.		
Unit Dimensions (inches)	Width	Height	Depth
	19"	43.4"	20"
Net Weight (lbs)	71 (lbs)		

IMPORTANT SAFETY INSTRUCTIONS

⚡WARNING⚡	To reduce the risk of fire, electrical shock, or injury when using your refrigerator, follow these basic precautions:
<ul style="list-style-type: none">• Read all instructions before using the refrigerator.• DANGER or WARNING: Risk of child entrapment.• To avoid the possibility of child entrapment, please take the following precautions before throwing out the refrigerator.<ul style="list-style-type: none">- Remove all doors from the unit.- Leave the shelves in place so that children may not easily climb inside.• Never allow children to operate, play with, or crawl inside the refrigerator.• Refrigerants: All refrigeration products contain refrigerants, which under the guidelines of federal law must be removed before disposal of product. It is the consumer's responsibility to comply with federal and local regulations when disposing of this product.• Never clean refrigerator parts with flammable fluids. The fumes can create a fire hazard or explosion.• Do not store or use gasoline or any other flammable vapors and liquids in the vicinity of this or any other refrigerator. The fumes can create a fire hazard or an explosion. <p style="text-align: center;">-Save these instructions-</p>	

INSTALLATION INSTRUCTIONS

Before Using Your Refrigerator

- Remove the exterior and interior packing.
- Before connecting the refrigerator to the power source, let it stand upright for approximately 4 hours. This will reduce the possibility of a malfunction in the cooling system from improper handling during transportation.
- Clean the interior surface with lukewarm water using a soft cloth. (Cleaning instruction on page 7)

Installing Your Refrigerator

- This appliance is designed to be free standing only, and should not be recessed or built-in.
- Place your refrigerator on a floor that is strong enough to support the refrigerator when it is fully loaded.
- Allow 5 inches of space between the back and sides of the refrigerator, which allows the proper air ventilation. Adjust the feet to keep the refrigerator level.
- Locate the refrigerator away from direct sunlight and sources of heat (stove, heater, radiator, etc.). Direct sunlight may affect the acrylic coating and heat sources may increase electrical consumption. Ambient temperature below 50°F (10°C) or above 85°F (29.4°C) will hinder the performance of this appliance. **This unit is not designed for use in a garage or any other outside installation.**
- Avoid locating the refrigerator in moist areas.
- Plug the refrigerator into dedicated, properly installed-grounded wall outlet. Do not under any circumstances cut or remove the third (ground) prong from the power cord. Any questions concerning power and/or grounding should be directed toward a certified electrician or an authorized service center. **This unit is not designed to be installed in an RV or used with an inverter.**
- After plugging the appliance into a wall outlet, turn the unit on and allow the unit to cool down for 2~3 hours under before placing food in the refrigerator or freezer compartment.

Electrical Connection

⚡WARNING⚡

Improper use of the grounded plug can result in the risk of electrical shock. If the power cord is damaged, have it replaced by an authorized service center.

This refrigerator should be properly grounded for your safety. The power cord of this refrigerator is equipped with a three-prong plug which mates with standard three prong wall outlets to minimize the possibility of electrical shock.

Do not, under any circumstances, cut or remove the third ground prong from the power cord supplied.

This refrigerator requires a standard 115/120 Volt A.C. ~/60Hz electrical outlet with three-prong ground.

This refrigerator is not designed to be used with an inverter.

The cord should be secured behind the refrigerator and not left exposed or dangling to prevent accidental injury.

Never unplug the refrigerator by pulling the power cord. Always grip the plug firmly and pull straight out from the receptacle.

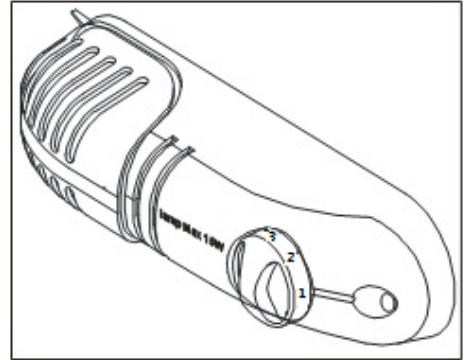
Do not use an extension cord with this appliance. If the power cord is too short, have a qualified electrician or service technician install an outlet near the appliance. Use of an extension cord can negatively affect the performance of the unit.

If any problems with the appliance persist, please contact our Customer Service Dept. to consult with a representative at **888 775-0202** or visit our website to request warranty service at **www.mcappliance.com**.

OPERATING YOUR REFRIGERATOR

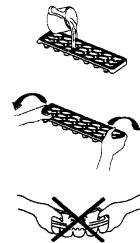
Temperature Control

- Your refrigerator has one control for regulating the temperature. The temperature control is located on the top center of the refrigerator compartment.
 - The first time you turn the unit on, adjust the temperature control knob to "7" and run for at least 2 hours before putting foods inside. This will ensure the cabinet is thoroughly chilled before food is put in.
 - The range of the refrigerator temperature control is from position "1" the warmest to "7" the coldest. Adjust the temperature control to the setting that best suits your needs. The setting of "4" should be appropriate for home or office refrigerator use.
 - Turning the temperature control knob to "0" position stops the cooling cycle but does not shut off the power to the unit.
- **NOTE;**
- If the unit is unplugged, loses power; you must wait 3 to 5 minutes before restarting the unit. If you attempt to restart before this time delay, the refrigerator will not start.
 - Large amounts of food will lower the cooling efficiency of the appliance.
 - Do not place the foods on the air outlet, and leave spaces for airflow.
 - If you choose to change the thermostat setting, adjust thermostat control by one increment at a time. Allow several hours for temperature to stabilize between adjustments.



Ice Tray

- Recommended temperature control setting for ice making is "7".
- Fill the ice cube tray (2/3 capacity) with cold water and place the tray on the bottom of the chiller compartment to freeze properly.
- To eject the ice cubes from the tray, place over the ice bucket and twist slightly.
- Re-set the temperature control to setting "4".



The Freezer Compartment

- This compartment is designed for the long-term storage of frozen food.
- The storage life of frozen foods varies and the recommended storage time should not be exceeded.
- Place frozen food into the freezer as quickly as possible after purchase. If there are instructions on the packet, carefully follow these instructions regarding storage times.

When To Defrost

This unit is not designed to defrost automatically. In order to prevent damage to the interior liner of the unit from excessive frost build-up, please manually defrost the unit every 3 month or when ice / frost is approximately 1/4 " thick inside the freezer compartment.

How To Defrost

Defrost the freezer compartment when the ice / frost are approximately ¼" thick or every 3 months, whichever comes first. Set the thermostat dial to "0" to defrost. Remove all contents from the freezer compartment. Leave the freezer door open to allow accumulated ice / frost to melt. Remove large pieces of ice as needed. Do not use hot water or other electric heating devices to melt the accumulated ice. After defrosting, remove accumulated ice / water and wipe the freezer compartment dry with a soft cloth. In the event that the ice is not visibly present in the freezer compartment, please allow the evaporator located behind the freezer wall to completely defrost for approximately 2 hours before restarting the unit. Restart the unit per starting instructions.

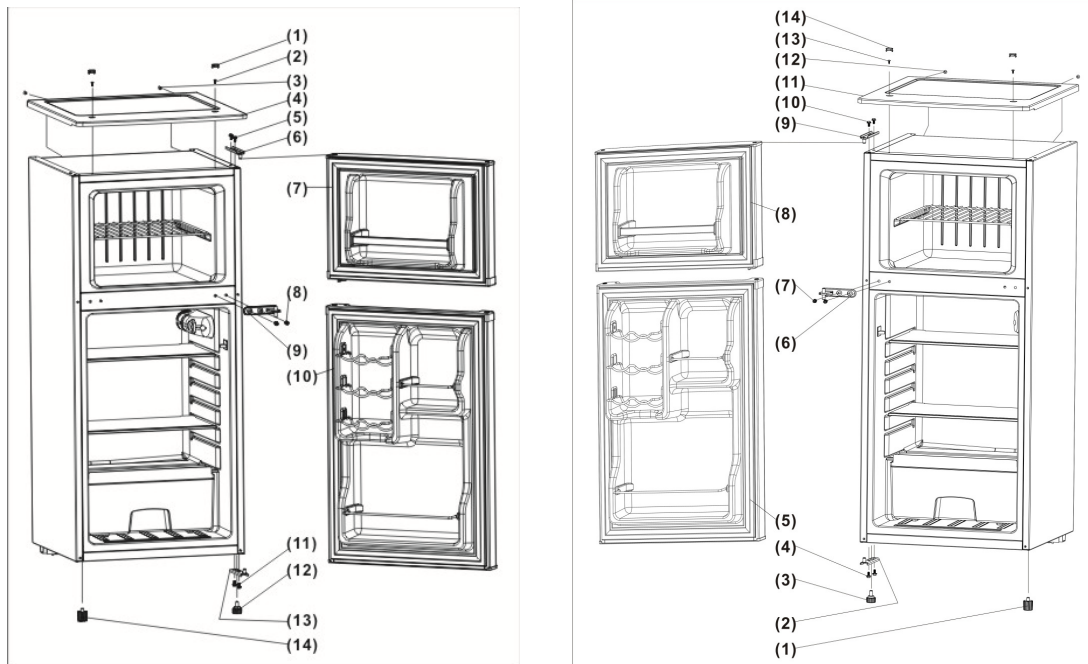
How To Change the interior light

NOTE: All parts removed must be saved to do the reinstallation of the light bulb. Before removing the light bulb, unplug the appliance from the power supply. Failure to do so could result in electrical shock or personal injury.

1. Remove the drip tray under chiller compartment
2. Remove the thermostat control box by unscrewing
3. Unscrew old bulb from the lower hole at the thermostat control box
4. Replace the new bulb of the same voltage and screw size.
5. Re-install the thermostat control box by screwing
6. Re-install the drip tray

CHANGING THE REVERSIBLE DOOR

CAUTION: To avoid personal injury to yourself and/or property, we recommend someone assist you during the door reversal process.



Your refrigerator is built with a reversible door. You have the choice of either opening it from the left or the right side. In order to reserve the opening direction of your door, please follow these simple instructions:

- 1) Disassemble all the reversible components in the sequence as shown below (also refer to left diagram above). Be sure to keep them well for later use in the process of reassembling.
 - (1) 2 decorative plugs on tabletop
 - (2) 2 screws to hold tabletop
 - (3) 2 screws on cabinet rear to hold tabletop
 - (4) tabletop
 - (5) 2 screws to hold top hinge
 - (6) top hinge
 - (7) door, freezer section
 - (8) 2 screws to hold mid hinge
 - (9) mid hinge
 - (10) door, refrigerator section
 - (11) 2 screws to hold bottom hinge
 - (12) leveling leg I
 - (13) bottom hinge
 - (14) leveling leg II
- 2) To access the bottom hinge assembly, you may tilt back the refrigerator cabinet or lay the refrigerator on its back.
- 3) Reassemble the unit with the door hinges on the opposite side (see the right diagram above). The sequence for reassembling is just in reverse order of disassembling.
- 4) With the mid hinge not being fastened too tight, align two doors properly on the cabinet and then fasten the mid hinge. If necessary, loosen the bottom hinge and the top hinge when aligning and then fasten them tight.

CARE AND MAINTENANCE

Cleaning Your Refrigerator

- Upon installation of your new appliance, it is recommended that it be cleaned thoroughly.
- Turn off the refrigerator first and then unplug the unit from the wall outlet.
- Remove all food content.
- Wash the inside with a damp warm cloth soaked in lukewarm water and baking soda solution. The solution should be about 2 tablespoons of baking soda to a quart of water.
- Be sure to keep the door gasket (seal) clean to keep the unit running efficiently.
- The outside of the refrigerator should be cleaned with mild detergent and warm water.
- Dry the interior and exterior with a soft cloth.

Vacation Time

- Turn off the refrigerator first and then unplug the unit from the wall outlet.
- Remove all the food.
- Clean the refrigerator.
- Leave the door open slightly to avoid possible formation of condensation, mold, or odor.
- Use extreme caution in the case of children. The unit should not be accessible to child's play.
- **Short vacations:** Leave the refrigerator operating during vacations of less than three weeks.
- **Long vacations:** If the appliance will not be used for several months, remove all food and unplug the power cord. Clean and dry the interior thoroughly. To prevent odor and mold growth, leave the door open slightly: blocking it open if necessary or have the door removed.

Moving Your Refrigerator

- Turn off the refrigerator first and then unplug the unit from the wall outlet.
- Remove all the food.
- Securely tape down all loose items inside your refrigerator.
- Tape the doors shut.
- Be sure the refrigerator stays in the upright position during transportation.

Energy Saving Tips

- The refrigerator should be located in the coolest area of the room, away from heat producing appliances or heating ducts, and out of the direct sunlight.
- Let hot foods cool to room temperature before placing in the refrigerator. Overloading the refrigerator forces the compressor to run longer. Foods that freeze too slowly may lose quality, or spoil.
- Be sure to wrap foods properly, and wipe containers dry before placing them in the refrigerator. This cuts down on frost build-up inside the refrigerator.
- Organize and label food to reduce door openings and extended searches. Remove as many items as needed at one time, and close the door as soon as possible.

TROUBLESHOOTING GUIDE

You can solve many common refrigerator problems easily, saving you the cost of a possible service call. Try the suggestions below to see if you can solve the problem before calling for service.

PROBLEM	POSSIBLE CAUSE
Refrigerator does not operate.	Not plugged in. The circuit breaker tripped or a blown fuse.
Compressor turns on and off frequently.	The room temperature is hotter than normal. A large amount of food has been added to the refrigerator. The door is opened too often. The door is not closed completely. The temperature control is not set correctly. The door gasket does not seal properly. The refrigerator does not have the correct clearances. The refrigerator has recently been disconnected for a period of time. 4 hours are required for the refrigerator to cool down completely.
Temperature inside the refrigerator is too warm.	Temperature control is set too warm. Turn the control to a cooler setting and allow several hours for the temperature to stabilize. Door is kept open too long or is opened too frequently. Warm air enters the refrigerator every time the door is opened. Open the door less often. The door is not closed completely. The door gasket does not seal properly. A large amount of warm or hot food might have been stored recently. Wait until the refrigerator has had a chance to reach its selected temperature. The refrigerator has recently been disconnected for a period of time. 4 hours are required for the refrigerator to cool down completely.
Temperature inside the refrigerator is too cold.	Temperature control is set too cold. Turn the control to a warmer setting and allow several hours for the temperature to stabilize.
Temperature of external refrigerator surface is warm.	The exterior refrigerator walls can be as much as 30°F warmer than room temperature. This is normal while the compressor works to transfer heat from inside the refrigerator cabinet.
Popping or cracking sound when compressor comes on.	Metal parts undergo expansion and contraction, as in hot water pipes. This is normal. Sound will level off or disappear as refrigerator continues to run.
Bubbling or gurgling sound, like water boiling.	Refrigerant (used to cool refrigerator) is circulating throughout the system. This is normal.
Vibrations.	Check to assure that the refrigerator is on a level surface. Floor is uneven or weak. Refrigerator rocks on the floor when it is moved slightly. Be sure floor can adequately support refrigerator. Level the

	<p>refrigerator by putting wood or metal shims under part of the refrigerator.</p> <p>The refrigerator is touching the wall. Re-level the refrigerator and move it from the wall.</p> <p>See "Installation Instructions".</p>
Moisture forms on inside refrigerator walls.	<p>Weather is hot and humid, which increases internal rate of frost build-up. This is normal.</p> <p>Door is slightly open.</p> <p>Door is kept open too long, or is opened too frequently. Open the door less often.</p> <p>The door is not sealed properly.</p>
Moisture forms on outside of refrigerator.	<p>Door is slightly open, causing cold air from inside the refrigerator to meet warm moist air from outside.</p>
The door will not close properly.	<p>The refrigerator is not on a level surface.</p> <p>The gasket is dirty.</p>



Refrigerator Warranty

Unless otherwise prohibited, **MC Appliance Corporation** warrants each new refrigerator to be free from defects in material and workmanship and agrees to remedy any such defect or to furnish a new part(s) (at the company's option) for any part(s) of the unit that has failed during the warranty period. Parts and labor expenses are covered on this unit for a period of one year after the date of purchase. In addition, **MC Appliance Corporation** warrants the compressor (parts only) to be free from defects in material and workmanship for a period of 5 years. The consumer is responsible for all labor and transportation expenses related to the diagnosis and replacement of the compressor after the initial one-year warranty expires. **A copy of the dated sales receipt / invoice is required to receive warranty service or a refund.**

This warranty covers appliances in use within the continental United States, Puerto Rico and Hawaii. The warranty does not cover the following:

- Damages due to shipping damage or improper installation.
- Damages due to misuse or abuse.
- Content losses due to failure of the unit.
- Inside components such as door panels, door shelves, racks, light bulbs, etc.
- Punctures to the evaporator system due to improper defrosting of the unit.
- Repairs performed by unauthorized service agents.
- Service calls that do not involve defects in material and workmanship such as instruction on proper use of the product, door reversal or improper installation.
- Replacement or resetting of house fuses or circuit breakers.
- Failure of this product if used for other than for its intended purpose.
- Disposal costs for any failed unit not returned to our factory.
- Any delivery costs incurred as the result of a unit that fails to perform as specified.
- Expenses for travel and transportation for product service if your appliance is located in a remote area where service by an authorized service technician is not available.
- The removal and reinstallation of your appliance if it is installed in an inaccessible location or is not installed in accordance with published installation instructions.
- Liability under this warranty is limited to repair, replacement or refund. If a replacement unit is not available or the unit cannot be repaired, liability is limited to the actual purchase price paid by the consumer.
- This warranty is non-transferable.
- This warranty applies only to the original purchaser and does not extend to any subsequent owner(s).

This warranty is in lieu of all warranties expressed or implied and no representative or person is authorized to assume for us any other liability in connection with the sale of this product. Under no circumstances is the consumer permitted to return this unit to the factory without prior written consent from MC Appliance Corporation.

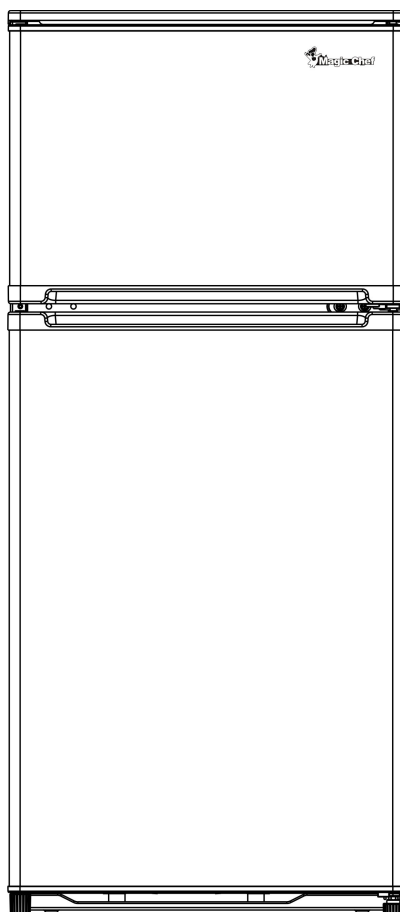
Model	Parts	Labor	Compressor (Part Only)	Type of Service
MCDR450WEF	One-Year	One-Year	Five Years	Carry- In
MCDR450BEF	One-Year	One-Year	Five Years	Carry- In
MCDR450SEF	One-Year	One-Year	Five Years	Carry- In

For Service or Assistance please call **888 775-0202**. Or visit us on the web at www.mcappliance.com to request warranty service.



**RÉFRIGÉRATEUR 4.5 PI CU
MODE D'EMPLOI**

Numéro du modèle: **MCDR450WEF**
MCDR450BEF
MCDR450SEF



Pour votre sécurité et afin d'assurer une bonne utilisation de cet équipement, veuillez lire toutes les instructions suivantes avant de le faire fonctionner.

Copie de l'enregistrement du produit

Nous tenons à vous remercier d'avoir acheter un produit Magic Chef.
La première démarche à suivre pour protéger votre nouveau produit est de remplir la demande d'enregistrement du produit sur notre site Web à **www.mcappliance.com/register**. L'enregistrement de votre produit vous offrent les avantages suivants :

1. L'enregistrement de votre produit nous permettra de vous contacter concernant une notice de sécurité ou une mise à jour produit.
2. Dans l'éventualité où il s'avère nécessaire de faire appel au service de garantie, l'enregistrement de votre produit facilitera le traitement plus efficace auprès du service de garantie.
3. Dans l'éventualité d'un sinistre d'assurance, l'enregistrement de votre produit pourrait faire preuve d'achat.

Nous tenons encore à vous remercier d'avoir acheter un produit Magic Chef.

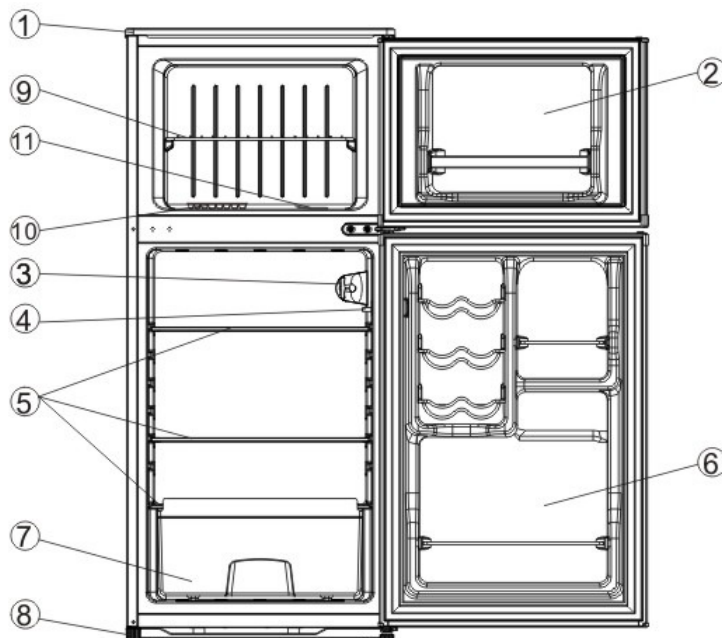
TABLE DES MATIÈRES

NOM DES PIÈCES	3
DONNÉES TECHNIQUES	3
DIRECTIVES DE SÉCURITÉ IMPORTANTES	4
INSTRUCTIONS POUR L'INSTALLATION	
AVANT D'UTILISER VOTRE RÉFRIGÉRATEUR	4
INSTALLATION DE VOTRE RÉFRIGÉRATEUR	4
BRANCHEMENT ELECTRIQUE	5
UTILISATION DE VOTRE RÉFRIGÉRATEUR	
COMMANDE DE TEMPÉRATURE	6
MOULE À GLAÇON.....	6
LE CONGELATEUR	6
QUAND DÉGIVRER	6
COMMENT DÉGIVRER	7
MODIFICATION DE LA LUMIERE.....	7
CHANGEMENT DE LA PORTE RÉVERSIBLE.....	8
ENTRETIEN ET MAINTENANCE	
NETTOYAGE DE VOTRE RÉFRIGÉRATEUR	9
PÉRIODE D'INUTILISATION	9
DÉPLACEMENT DE VOTRE RÉFRIGÉRATEUR	9
ECONOMIES D'ENERGIE CONSEILS	9
GUIDE DE DÉPANNAGE.....	10-11
GARANTIE DU RÉFRIGÉRATEUR	12

NOM DES PIÈCES

NUMÉRO DU MODÈLE : MCDR450WEF/MCDR450BEF/MCDR450SEF

- (1) Dessus de l'appareil
- (2) Porte, section du congélateur
- (3) Boîtier de contrôle de la température
- (4) Interrupteur de l'éclairage intérieur
- (5) Grilles, section du réfrigérateur
- (6) Porte, section du réfrigérateur
- (7) Bac à légumes
- (8) Pieds de nivellement
- (9) plateau en acier
- (10) moule à glaçon
- (11) pelle sur glace



⚠ MISE EN GARDE ⚠ : Ne touchez ja situés à l'intérieur si vous avez les mains humides car cela pourrait entraîner une gelure.

DONNÉES TECHNIQUES – Numéro du modèle MCDR450WEF/ MCDR450BEF/MCDR450SEF

Produit	Magic Chef Réfrigérateur à 2 portes		
Numéro du modèle	MCDR450WEF/ MCDR450BEF/MCDR450SEF		
Capacité	4.5 pi cu		
Dimensions de l'appareil (pouces)	Largeur	Hauteur	Profondeur
	19"	43.4"	20"
Poids net (livres)	71(livres)		

DIRECTIVES DE SÉCURITÉ IMPORTANTES

⚡ MISE EN GARDE ⚡	Afin de réduire le risque d'incendie, de choc électrique ou de blessure pendant l'utilisation de votre réfrigérateur, suivez ces précautions élémentaires:
<ul style="list-style-type: none">• Lisez la totalité des instructions avant d'utiliser le réfrigérateur.• DANGER ou MISE EN GARDE : Risque d'enfermement d'enfant.• Pour éviter toute possibilité qu'un enfant se retrouve piégé à l'intérieur du réfrigérateur, veuillez prendre les précautions suivantes avant de le mettre au rebut.<ul style="list-style-type: none">- Retirez la totalité des portes de l'appareil.- Laissez les étagères en place de sorte que des enfants ne puissent pas facilement grimper à l'intérieur.• Fluides frigorigènes: Tous les produits de réfrigération contiennent des fluides frigorigènes qui, selon les directives de la loi fédérale doit être enlevé avant l'élimination du produit. Il incombe au consommateur de se conformer aux règlements fédéraux et locaux lors de l'élimination de ce produit.• N'autorisez jamais aucun enfant à utiliser, jouer avec ou ramper à l'intérieur du réfrigérateur.• Ne nettoyez jamais les pièces du congélateur avec des fluides inflammables. Les émanations risqueraient de créer un incendie ou une explosion.• Ne conservez pas ou n'utilisez pas d'essence ni aucune autre émanations ni aucun liquide inflammable à proximité de ce réfrigérateur ni de tout autre réfrigérateur. Les émanations pourraient créer incendie ou une explosion. <p style="text-align: center;">-Conservez ces instructions-</p>	

INSTRUCTIONS POUR L'INSTALLATION

Avant d'utiliser votre réfrigérateur

- Retirez l'emballage extérieur et intérieur.
- Avant de brancher le réfrigérateur sur la prise de courant, laissez-le debout pendant environ 4 heures. Cela permettra de réduire les risques de panne du circuit de refroidissement dues à une manipulation incorrecte lors du transport.
- Nettoyez la surface interne à l'eau tiède à l'aide d'un chiffon doux. (Voyez la rubrique sur le nettoyage page 7)

Installation de votre réfrigérateur

- Cet appareil est conçu pour fonctionner seul. Il ne devrait pas être encastré.
- Placez votre réfrigérateur sur un sol suffisamment résistant pour supporter son poids lorsqu'il est plein.
- Laissez un espace de 5 pouces entre l'arrière et les côtés du réfrigérateur afin de permettre la bonne circulation de l'air nécessaire à la ventilation. Ajustez les pieds pour maintenir le réfrigérateur à plat.
- Positionnez le réfrigérateur de sorte que celui-ci ne soit pas exposé à la lumière directe du soleil ni à proximité de sources de chaleur (gazinière, chaudière, radiateur, etc.). L'exposition à la lumière directe du soleil peut détériorer le revêtement acrylique et les sources de chaleur peuvent augmenter la consommation électrique du réfrigérateur. Une température ambiante inférieure à

50°F (10°C) ou supérieure à 85°F (29.4°C) aura une influence négative sur la performance de l'appareil. **Cet appareil n'est pas conçu pour une utilisation dans un garage ni dans toute autre installation en extérieur.**

- Évitez de placer le réfrigérateur dans des lieux humides.
- Branchez le réfrigérateur sur une prise de courant raccordée à la terre dédiée et correctement installée. Ne coupez ou ne retirez sous aucun prétexte le troisième ergot (terre) de la fiche du cordon d'alimentation. Toute question concernant l'alimentation en électricité et/ou le raccordement à la terre devrait être posée à un électricien certifié ou à un centre de réparations agréé. **Cet appareil n'est pas conçu pour être installé dans un véhicule de caravanning ni pour être utilisé avec un onduleur.**
- Après avoir branché l'appareil sur une prise de courant, allumez l'appareil et laissez-le refroidir pendant 2 à 3 heures avant de placer des aliments dans le congélateur ou dans le réfrigérateur.

Branchement électrique

⚡ MISE EN GARDE ⚡

Une utilisation incorrecte de la prise de raccordement à la terre peut entraîner un risque d'électrocution. Si le cordon d'alimentation est abîmé, faites-le remplacer par un centre de réparation agréé.

Pour votre sécurité, ce réfrigérateur devrait être correctement raccordé à la terre. Le cordon d'alimentation de ce réfrigérateur est pourvu d'une fiche à trois ergots qui est compatible avec les prises secteur à trois ergots standard afin de réduire la possibilité d'une électrocution.

Ne coupez ou ne retirez sous aucun prétexte le troisième ergot de la fiche du cordon d'alimentation fourni.

Ce réfrigérateur nécessite une prise de courant standard de 115/120 Volt A.C. ~/60Hz compatible avec une fiche à trois ergots raccordée à la terre.

Ce réfrigérateur n'est pas conçu pour être utilisé avec un onduleur.

Le cordon d'alimentation devrait être en sécurité derrière le réfrigérateur et ne devrait pas être exposé ou suspendu pour éviter toute blessure accidentelle.

Ne débranchez jamais le réfrigérateur en tirant sur le cordon d'alimentation. Tenez toujours fermement la fiche et tirez-la droite vers l'extérieur de la prise de courant.

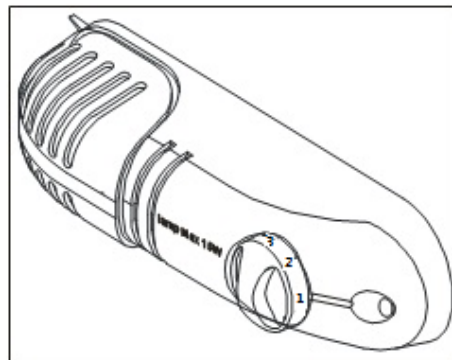
N'utilisez pas de cordon de rallonge avec cet appareil. Si le cordon d'alimentation est trop court, demandez à un électricien qualifié ou à un technicien d'entretien d'installer une prise de courant près de l'appareil. L'utilisation d'un cordon de rallonge peut avoir un effet négatif sur le fonctionnement de l'appareil.

En cas de persistance de tout problème avec l'appareil, veuillez contacter notre Service clientèle pour vous entretenir avec un conseiller au **888 775-0202** ou consultez notre site Internet pour demander à bénéficier de la garantie sur **www.mcappliance.com**.

UTILISATION DE VOTRE RÉFRIGÉRATEUR

Commande de température

- Votre réfrigérateur est équipé d'un thermostat. Le contrôle de la température est situé en haut et au centre du compartiment du réfrigérateur.
- Lors de la première mise en marche, réglez la température sur "7" et faites fonctionner l'appareil pendant au moins 2 heures avant d'y placer des aliments. Ceci vous permettra d'être sûr que l'appareil est complètement refroidi avant de recevoir des aliments.
- Le contrôle de la température va de « 1 » à « 7 », c'est-à-dire du moins froid au froid maximum. Réglez la température selon vos besoins. Le réglage sur « 4 » convient à la plupart des conditions d'utilisations au domicile ou au bureau.
- Lorsque vous mettez le bouton de contrôle sur « 0 », le cycle de refroidissement est arrêté mais l'appareil reste allumé.

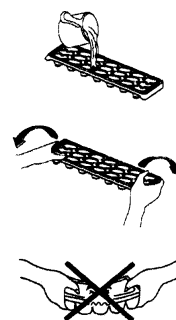


• REMARQUE :

- Si l'appareil est débranché ou en cas de coupure de courant, il faut attendre 3 à 5 minutes avant de le remettre en marche. Si vous essayez de le redémarrer avant ce délai, le réfrigérateur ne se remettra pas en route.
- Les grandes quantités de nourriture réduisent l'efficacité de l'appareil.
- Ne placez pas les aliments sur la sortie d'air et disposez les aliments de manière à permettre une bonne circulation de l'air.
- Si vous souhaitez modifier le réglage du thermostat, ajustez le bouton de contrôle du thermostat en le changeant d'un cran à la fois. La température ne se stabilise qu'après plusieurs heures suivant le changement de réglage.

Moule à glaçons

- Il est recommandé de régler la commande de température à la position « Plus 7 » pour fabriquer des glaçons.
- Remplissez le moule à glaçons (à 2/3 de sa capacité) avec de l'eau froide et posez-le dans la partie inférieure du compartiment de congélation pour une congélation uniforme.
- Afin d'éjecter les glaçons du moule, positionnez au-dessus d'un bac à glaçons et tordez légèrement.
- Réinitialisez la commande de température en la réglant à la position « 4 ».



Le congélateur

- Ce compartiment est conçu pour le stockage à long terme des surgelés.
- La durée de conservation des aliments surgelés varie, et il ne faut pas dépasser le temps de stockage recommandé.
- Mettez les surgelés au congélateur le plus tôt possible après l'achat. Respectez les instructions inscrites sur les produits congelés, surtout en ce qui concerne la durée de stockage.

Quand dégivrer

Ce produit n'est pas conçu pour un dégivrage automatique. Afin d'éviter d'endommager l'intérieur de l'appareil par une accumulation excessive de givre, veuillez faire un dégivrage manuel tous les 3 mois ou lorsque vous voyez que l'intérieur du compartiment du congélateur est revêtu d'une couche de givre d'environ 1/4" d'épaisseur.

Comment dégivrer

Il convient de dégivrer le compartiment du congélateur dès que la couche de givre atteint environ ¼" d'épaisseur ou au moins tous les trois mois, selon la première éventualité. Réglez le bouton du thermostat sur « 0 » pour le dégivrage. Retirez toutes les denrées du compartiment du congélateur. Laissez la porte du congélateur ouverte pour laisser fondre l'accumulation de givre ou de glace. Retirez les gros morceaux de glace s'il y a lieu. N'utilisez pas d'eau chaude ni d'appareil de chauffage électrique pour faire fondre l'accumulation de givre. Après le dégivrage, retirez l'accumulation de glace et d'eau et essuyez le compartiment du congélateur avec un chiffon doux pour le sécher. Même si vous ne voyez pas de givre dans le compartiment du congélateur, il faut complètement dégivrer l'évaporateur situé derrière la paroi du congélateur pendant environ 2 heures avant de remettre l'appareil en marche. Redémarrez l'appareil en suivant les instructions de mise en marche.

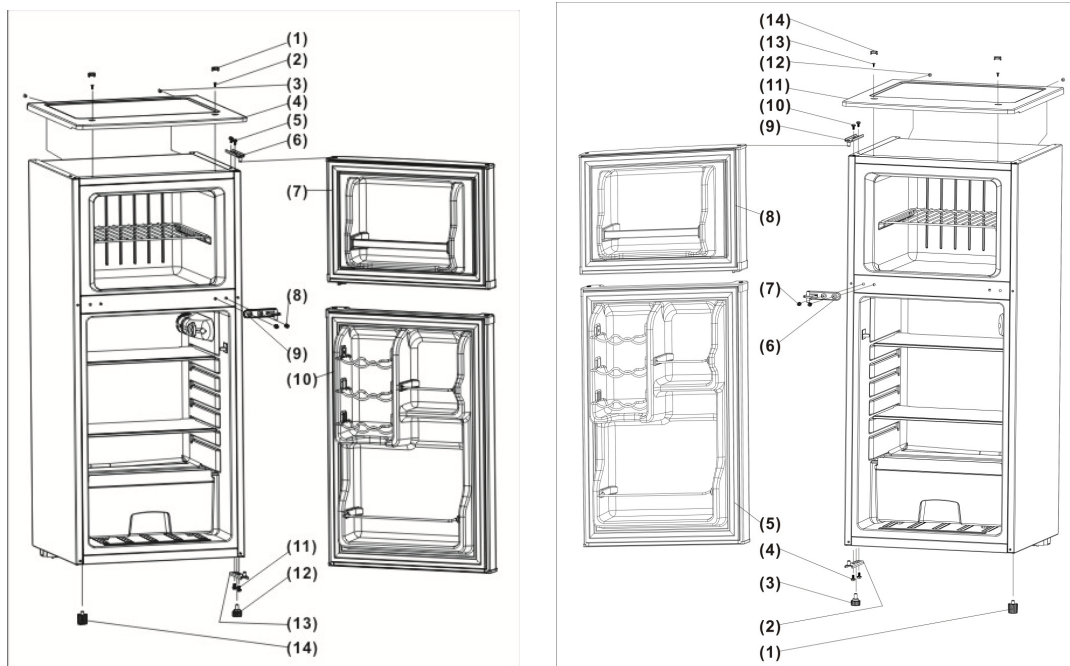
Modificatino de la lumiere

NOTE: Toutes les pièces enlevées doivent être enregistrés à la réinstallation de l'ampoule. Avant de retirer l'ampoule, débranchez l'appareil de l'alimentation électrique. Sinon, cela pourrait entraîner un choc électrique ou des blerrures.

1. Enlevez le plateau d'égouttage sous le compartiment de congélation
2. Enlevez le boîtier de commande du thermostat en le dévissant
3. Dévissez l'ancienne ampoule du trou inférieur au boîtier de commande du thermostat
4. Remplacez l'ampoule par une nouvelle de la même tension et du même filetage.
5. Réinstallez le boîtier de commande du thermostat en le vissant
6. Réinstallez le plateau d'égouttage

CHANGEMENT DE LA PORTE RÉVERSIBLE

ATTENTION : Pour éviter de vous blesser ou d'endommager du matériel, il est recommandé d'obtenir de l'aide pendant le processus de changement de sens d'ouverture de la porte.



Votre réfrigérateur est équipé d'une porte réversible. Vous pouvez choisir une ouverture à gauche ou à droite. Pour inverser le sens d'ouverture de la porte, suivez les instructions très simples ci-dessous :

- 1) Démontez toutes les pièces réversibles dans l'ordre indiqué ci-dessous (consultez également le diagramme ci-dessus à gauche). Veillez à bien les conserver pour le remontage.
 - (1) 2 caches décoratifs sur la tablette
 - (2) 2 vis pour fixer la tablette
 - (3) 2 vis à l'arrière pour fixer la tablette
 - (4) tablette
 - (5) 2 vis pour fixer la charnière supérieure
 - (6) charnière supérieure
 - (7) porte du congélateur
 - (8) 2 vis pour fixer la charnière intermédiaire
 - (9) charnière intermédiaire
 - (10) porte du réfrigérateur
 - (11) 2 vis pour fixer la charnière inférieure
 - (12) patte niveleuse I
 - (13) charnière inférieure
 - (14) patte niveleuse II
- 2) Pour accéder à la charnière inférieure, vous pouvez incliner le réfrigérateur vers l'arrière ou le poser à plat sur son dos.
- 3) Remontez l'appareil avec les charnières de l'autre côté (consultez le diagramme ci-dessus). Remontez en suivant les étapes du démontage en ordre inverse.
- 4) Avec la charnière intermédiaire en place mais pas trop serrée, alignez bien les deux portes, puis serrez la charnière intermédiaire. Si nécessaire, desserrez les deux autres charnières pour ajuster les portes, puis resserrez-les bien.

ENTRETIEN

Nettoyage de votre réfrigérateur

- Dès l'installation de votre nouvel appareil, nous vous recommandons de le nettoyer méticuleusement.
- Commencez par éteindre le réfrigérateur puis débranchez l'appareil de la prise de courant.
- Retirez la totalité des aliments.
- Lavez l'intérieur à l'aide d'un chiffon chaud et humide trempé dans une solution d'eau tiède et de bicarbonate. La solution devrait comporter environ 2 cuillères à soupe de bicarbonate pour un quart d'eau.
- Assurez-vous de maintenir le joint de la porte propre pour que l'appareil fonctionne efficacement.
- L'extérieur du réfrigérateur devrait être nettoyé avec un détergent peu agressif et de l'eau chaude.
- Séchez l'intérieur et l'extérieur avec un chiffon humide.

Période d'inutilisation

- Éteignez d'abord le réfrigérateur puis débranchez l'appareil de la prise de courant.
- Retirez tous les aliments.
- Nettoyez le réfrigérateur.
- Laissez la porte légèrement ouverte pour éviter la formation possible de condensation, de moisissures ou d'odeurs.
- Faites preuve d'une extrême prudence en présence d'enfants. L'appareil ne devrait pas être accessible pour des enfants qui jouent.
- **Périodes d'inutilisation courtes** : Laissez le réfrigérateur en fonctionnement pendant des périodes d'inutilisation de moins de trois semaines.
- **Périodes d'inutilisation prolongées** : Si l'appareil va être inutilisé pendant plusieurs mois, retirez tous les aliments puis débranchez le cordon d'alimentation. Nettoyez et séchez l'intérieur avec soin. Afin de prévenir la formation d'odeurs et de moisissures, laissez la porte légèrement ouverte : bloquez-la en position ouverte si nécessaire ou faites retirer la porte.

Déplacement de votre réfrigérateur

- Éteignez d'abord le réfrigérateur puis débranchez l'appareil de la prise de courant.
- Retirez tous les aliments.
- Fixez solidement tous les éléments non fixes à l'intérieur de votre réfrigérateur avec de l'adhésif.
- Fermez la porte à l'aide d'un rouleau adhésif.
- Assurez-vous que le réfrigérateur demeure en position verticale pendant le transport.

Economies d'énergie conseils

- Le réfrigérateur devrait être placé dans la zone la plus froide de la pièce, à l'écart des appareils émettant de la chaleur ou des conduits de chauffage, et ne pas être exposé à la lumière directe du soleil.
- Laissez les aliments chauds refroidir à température ambiante avant de les placer au réfrigérateur. Le fait de surcharger le réfrigérateur oblige le compresseur à fonctionner plus longtemps. Les aliments qui refroidissent trop lentement au freezer peuvent perdre en qualité ou être gâchés.
- Assurez-vous d'emballer les aliments correctement, et essuyez les récipients afin qu'ils soient secs avant de les placer au réfrigérateur. Ceci diminue l'accumulation de glace à l'intérieur du réfrigérateur.
- Rangez et étiquetez les aliments afin de réduire les ouvertures de portes et les longues recherches. Retirez autant d'éléments que nécessaire en une fois, et refermez la porte dès que possible.

GUIDE DE DÉPANNAGE

Vous pouvez résoudre facilement un grand nombre de problèmes fréquents du réfrigérateur, et économiser ainsi le coût d'un appel potentiel des services de réparation. Essayez les suggestions ci-dessous pour voir si vous pouvez résoudre le problème avant d'appeler un service de réparation.

PROBLÈME	CAUSE POTENTIELLE
Le réfrigérateur ne fonctionne pas.	Pas branché. Le coupe-circuit s'est déclenché ou un fusible a sauté.
Le compresseur se met en marche et s'arrête fréquemment.	La température de la pièce est plus élevée qu'à la normale. Une grande quantité d'aliments a été ajoutée dans le réfrigérateur. La porte est ouverte trop souvent. La porte n'est pas complètement fermée. Le thermostat n'est pas réglé correctement. Le joint de la porte n'est pas complètement étanche. Le réfrigérateur ne dispose pas de suffisamment d'espaces dégagés. Le réfrigérateur a récemment été débranché pendant une période. 4 heures sont nécessaires pour que le réfrigérateur refroidisse complètement.
La température à l'intérieur du réfrigérateur est trop élevée.	Le thermostat est réglé sur une température trop élevée. Réglez le thermostat sur une température plus faible puis patientez plusieurs heures afin que la température se stabilise. La porte reste ouverte trop longtemps ou est ouverte trop fréquemment. De l'air chaud entre dans le réfrigérateur à chaque fois que la porte est ouverte. Ouvrez la porte moins souvent. La porte n'est pas complètement fermée. Le joint de la porte n'est pas complètement étanche. Une grande quantité d'aliments chauds ou très chauds a peut-être été placée dans le réfrigérateur récemment. Attendez jusqu'à ce que le réfrigérateur ait eu la possibilité d'atteindre la température de son thermostat. Le réfrigérateur a récemment été débranché pendant une période. 4 heures sont nécessaires pour que le réfrigérateur refroidisse complètement.
La température à l'intérieur du réfrigérateur est trop faible.	Le thermostat est réglé sur une température trop faible. Réglez le thermostat sur une température plus élevée puis patientez plusieurs heures afin que la température se stabilise.
La température externe du réfrigérateur est élevée.	Les parois externes du réfrigérateur peuvent atteindre une température supérieure à celle de la pièce de 30°F. Ceci est normal lorsque le compresseur fonctionne afin de transférer la chaleur depuis l'intérieur du réfrigérateur.

Bruit de claquement ou de craquement lorsque le compresseur se déclenche.	Les pièces métalliques subissent une dilatation et une rétraction, comme dans les tuyaux d'eau chaude. C'est tout à fait normal. Le bruit diminue ou disparaît au fur et à mesure que le réfrigérateur fonctionne.
Bruit de bulles ou d'écoulement d'eau, comme de l'eau en ébullition.	Du liquide de refroidissement (utilisé pour refroidir le réfrigérateur) circule dans l'appareil. C'est tout à fait normal.
Vibrations.	Vérifiez que le réfrigérateur se trouve sur une surface plane. Le sol est inégal ou faible. Le réfrigérateur bascule légèrement sur le sol lorsqu'il est déplacé légèrement. Assurez-vous que le sol est en mesure de soutenir le réfrigérateur de manière adéquate. Calez le réfrigérateur en plaçant un morceau de bois ou des morceaux de métal sous une partie du réfrigérateur. Le réfrigérateur touche le mur. Remettez le réfrigérateur à plat et éloignez-le du mur. Voir les « Instructions pour l'installation ».
De l'humidité se forme sur les parois internes du réfrigérateur.	Le temps est chaud et humide, ce qui augmente le taux interne d'accumulation de glace. C'est tout à fait normal. La porte est légèrement ouverte. La porte reste ouverte trop longtemps, ou elle est ouverte trop fréquemment. Ouvrez la porte moins souvent. La porte n'est pas suffisamment étanche.
De l'humidité se forme à l'extérieur du réfrigérateur.	La porte est légèrement ouverte, ce qui provoque la rencontre entre l'air froid à l'intérieur du réfrigérateur et l'air chaud et humide de l'extérieur.
La porte ne ferme pas correctement.	Le réfrigérateur ne se trouve pas sur une surface plane. Le joint est sale.



Magic Chef™
SO RIGHT AT HOME.™
Garantie du réfrigérateur

Sauf autre interdiction, **MC Appliance Corp.** garantit chacun de ses réfrigérateur neufs contre les défauts de matière et de main-d'œuvre et accepte de remédier à ces défauts ou de remplacer la ou les pièces devenues défectueuses pendant la période de garantie par une ou des pièces neuves (au choix de la compagnie). Les frais de pièces et de main-d'œuvre nécessaires sont couverts pendant un an à partir de la date d'achat. De plus, **MC Appliance Corp.** garantit pendant 5 ans le compresseur (pièces seulement) contre tout défaut de matière et de main-d'œuvre. Après l'expiration de la garantie initiale d'un an, le consommateur est responsable de tous les frais de main-d'œuvre et de transport encourus à cause du diagnostic et du remplacement du compresseur. **Une copie datée du reçu de vente ou de la facture est requise pour que le service de garantie puisse être assuré.**

Cette garantie couvre les appareils utilisés dans la partie continentale des États-Unis, au Canada, au Porto-Rico et à Hawaii. Elle ne couvre pas les éléments suivants :

- Les dommages causés par le transport ou une installation inappropriée.
- Les dommages causés par une utilisation inappropriée ou abusive.
- Les pertes de contenu causées par une panne de l'appareil.
- Les éléments intérieurs comme les panneaux de porte, les étagères de porte, les étagères ajourées, les ampoules électriques, etc.
- Les perforations du circuit de l'évaporateur causées par un dégivrage inapproprié de l'appareil.
- Les réparations effectuées par des agents d'entretien non autorisés.
- Les interventions ne mettant pas en cause des défauts de matière ou de main-d'œuvre, comme les directives données pour utiliser le produit, l'inversion des portes ou les installations inappropriées.
- Le remplacement ou le réenclenchement des fusibles ou des disjoncteurs domestiques.
- Les pannes de ce produit, s'il est utilisé à d'autres fins que celles pour lesquelles il a été construit.
- Les coûts d'évacuation des appareils non renvoyés à notre usine.
- Les coûts de livraison engagés à la suite d'une unité qui ne fonctionne pas comme indiqué.
- Les frais pour le voyage et le transport pour le service de produit si votre appareil est trouvé dans une région lointaine ou le service par un technicien de service autorisé n'est pas disponible.
- L'enlèvement et la réinstallation de votre appareil s'il est installé dans un endroit inaccessible ou n'est pas installé conformément aux instructions publiées d'installation.
- Responsabilité en vertu de cette garantie est limitée à la réparation, de remplacement ou un remboursement. Si une unité de remplacement n'est pas disponible ou l'unité ne peut être réparé, la responsabilité est limitée au prix d'achat payé par le consommateur.
- Cette garantie n'est pas transférable.
- Cette garantie s'applique uniquement à l'acheteur original et ne s'étend pas à tout propriétaire subséquent (s).

Tout frais de livraison entraîné par une panne d'appareil ne fonctionnant pas de la façon indiquée Cette garantie est en vigueur à la place de toute autre garantie expresse ou implicite et aucun représentant ni personne n'est autorisé à assumer pour nous quelque autre responsabilité liée à la vente de ce produit. Le consommateur n'est en aucun cas autorisé à renvoyer cet appareil à l'usine sans autorisation écrite de la part de MC Appliance Corp.

Modèle	Pièces	Main-d'œuvre	Compresseur (pièces seulement)	Condition d'entretien
MCDR450WEF	Un an	Un an	Cinq ans	Acheminer soi-même
MCDR450BEF	Un an	Un an	Cinq ans	Acheminer soi-même
MCDR450SEF	Un an	Un an	Cinq ans	Acheminer soi-même

Pour tout renseignement sur l'entretien ou si vous avez besoin d'aide, veuillez appeler au 888 775-0202 ou rendez-nous visite sur notre site web: www.mcappliance.com