

This Owner's Manual is provided and hosted by [Appliance Factory Parts](#).



MAGIC CHEF MCBM920W1 Owner's Manual

[Shop genuine replacement parts for MAGIC CHEF
MCBM920W1](#)



Appliance Factory Parts
© http://www.appliancefactoryparts.com

[Find Your MAGIC CHEF Refrigerator Parts - Select From 316 Models](#)

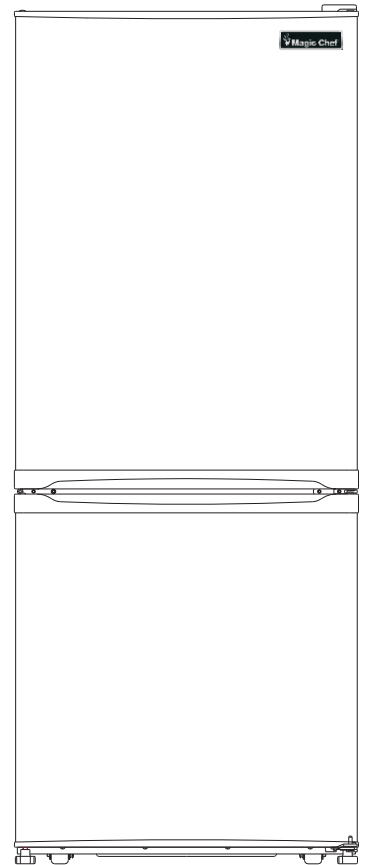
----- Manual continues below -----



Magic Chef®

9.2 Cu. Ft. Compact Refrigerator

User's Manual



Model MCBM920W1 / MCBM920S1

**PLEASE READ THIS MANUAL CAREFULLY BEFORE USING YOUR
REFRIGERATOR AND KEEP IT FOR FUTURE REFERENCE.**



Product Registration

Thank you for purchasing a Magic Chef® product. The first step to protect your new product is to complete the product registration on our website: www.mcappliance.com/register. The benefits of registering your product include the following:

1. Registering your product will allow us to contact you regarding a safety notification or product update.
2. Registering your product will allow for more efficient warranty service processing when warranty service is required.
3. Registering your product could act as your proof of purchase in the event of insurance loss.

Once again, thank you for purchasing a Magic Chef® product.

Important Safety Instructions



To reduce the risk of fire, electrical shock, or injury follow these basic precautions when using your refrigerator.

- 1) **WARNING**—Keep ventilation openings, in the appliance enclosure or in the built-in structure, clear of obstruction.
- 2) **WARNING**—Do not use mechanical devices or other means to accelerate the defrosting process, other than those recommended by the manufacturer.
- 3) **WARNING**—Do not damage the refrigerant tubing to increase the risk of a leak when handle, move and use of refrigerator.
- 4) **WARNING**—Do not use electrical appliances inside the food storage compartments of the appliance, unless they are of the type recommended by the manufacturer.
- 5) **WARNING**—**DANGER:** Never allow children to play with, operate, or crawl inside the refrigerator. Risk of child entrapment. Before you throw away your old refrigerator or freezer:
 - Take off the doors
 - Leave the shelves in place so that children may not easily climb inside.
- 6) The appliance has to be unplugged before carrying out user maintenance on the appliance.
- 7) This appliance can be used by children age 8 years and above and persons with reduced physical sensory or mental capabilities or lack of experience and knowledge if they have been given supervision or instruction concerning use of the appliance in a safe way and understand the hazards involved. Children should not play with the appliance. Cleaning and maintenance should not be made by children without supervision.
- 8) If the component part is damaged, it must be replaced by the manufacturer, its service agent or similar qualified persons in order to avoid a hazard.
- 9) Please abandon the refrigerator according to local regulations as the unit contains flammable blowing gas and refrigerant.
- 10) Follow local regulations regarding disposal of the appliance due to flammable refrigerant and Blowing gas. All refrigeration products contain refrigerants, which under the guidelines of federal law must be removed before disposal. It is the consumer's responsibility to comply with federal and local regulations when disposing of this product.
- 11) This appliance is intended to be used in household and similar environments such as
 - staff kitchen areas in shops, offices and other working environments;
 - farm houses and by clients in hotels, motels and other residential type environments;
 - bed and breakfast type environments;
 - catering and similar non-retail applications.
- 12) Do not store or use gasoline or any inflammable liquors and liquids inside or in the vicinity of refrigerator.
- 13) Do not use an extension cord with this appliance. If the power cord is too short, have a qualified electrician install an outlet near the appliance. Use of an extension can negatively affect the unit's performance.



Caution: risk of fire



IT IS HAZARDOUS FOR ANYONE OTHER THAN AUTHORIZED SERVICE PERSONNEL TO CARRY OUT SERVICES OR REPAIRS INVOLVING THE REMOVAL OF COVERS.



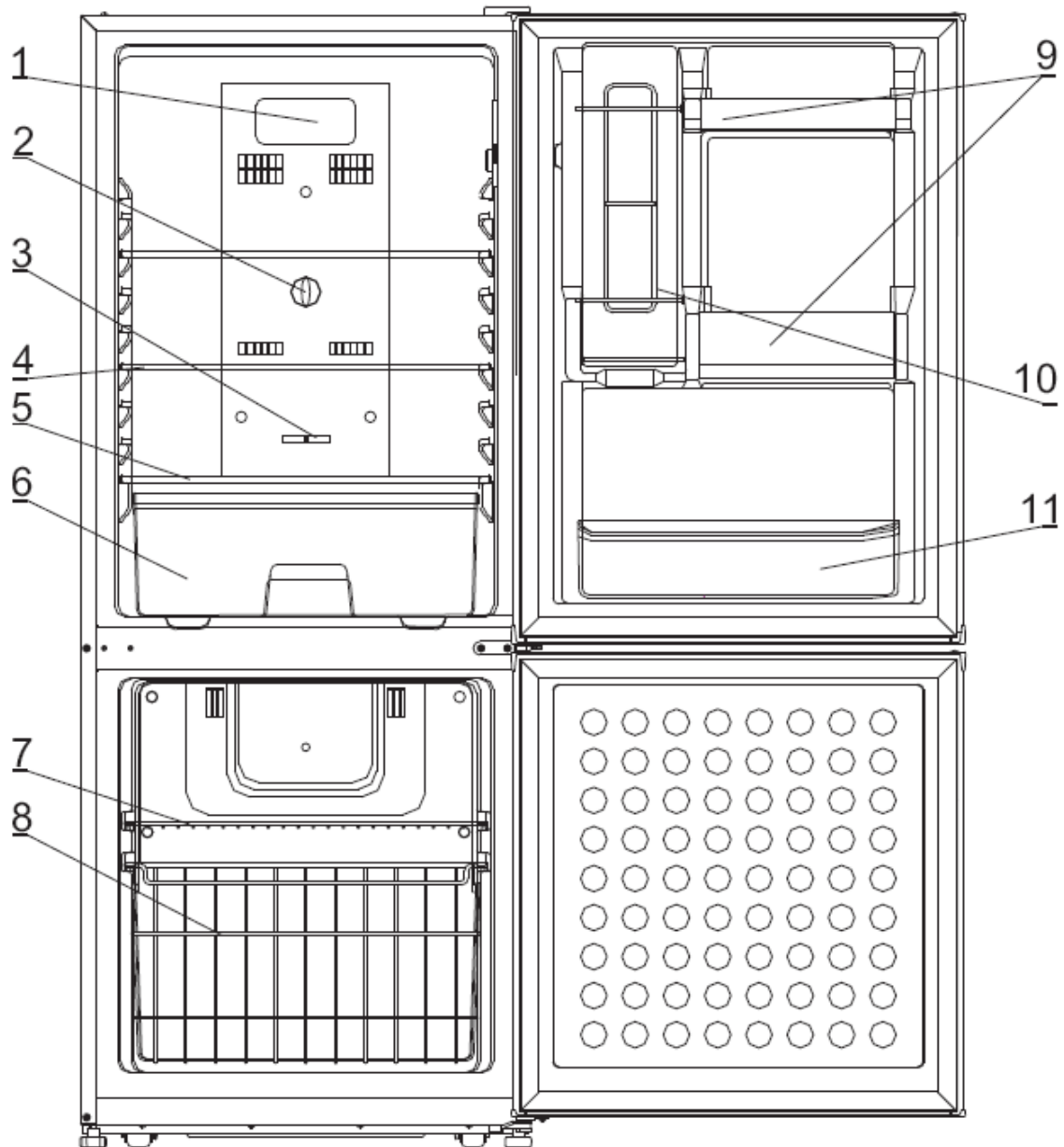
TO AVOID THE RISK OF AN ELECTRICAL SHOCK DO NOT ATTEMPT REPAIRS YOURSELF.

TABLE OF CONTENTS

NAMES OF THE PARTS.....	2
SPECIFICATIONS.....	3
IMPORTANT SAFETY INSTRUCTIONS.....	4
INSTALLATION INSTRUCTION	
BEFORE USING YOUR REFRIGERATOR.....	4
INSTALLING YOUR REFRIGERATOR	4
ELECTRICAL CONNECTION.....	5
OPERATING THE REFRIGERATOR	
TEMPERATURE CONTROL.....	6
OPERATING THE FREEZER COMPARTMENT	
TEMPERATURE CONTROL.....	6
ICE TRAY.....	6
THE FREEZER COMPARTMENT.....	6
CHANGING THE LIGHT.....	7
CHANGING THE REVERSIBLE DOOR	7-8
CARE AND MAINTENANCE	
CLEANING YOUR REFRIGERATOR.....	9
VACATION TIME.....	9
MOVING YOUR REFRIGERATOR.....	9
ENERGY SAVING TIPS.....	9
TROUBLESHOOTING GUIDE.....	10-11
REFRIGERATOR WARRANTY.....	12

NAMES OF THE PARTS

MODEL NO. MCBM920W1/MCBM920S1



- | | |
|------------------------------------|---------------------------|
| 1 Interior Light | 7 Freezer Shelf |
| 2 Refrigerator Temperature Control | 8 Freezer Basket |
| 3 Freezer Temperature Control | 9 Refrigerator Door Racks |
| 4 Refrigerator Shelves | 10 Can Dispenser |
| 5 Glass Crisper Cover | 11 Bottle Storage Bin |
| 6 Crisper | |

⚡WARNING⚡: Never touch the interior of the Freezer Chamber or frozen foods in the compartment with wet hands as this could result in frost bite.


SPECIFICATIONS – Model # MCBM920W1

Product Description	Magic Chef Refrigerator		
Model No.	MCBM920W1		
Capacity	9.2 Cu. Ft.		
Unit Dimensions (inches)	Width	Height	Depth
	23 4/5"	59 4/5"	26 2/3"
Net Weight (lbs)	128(lbs)		

SPECIFICATIONS – Model # MCBM920S1

Product Description	Magic Chef Refrigerator		
Model No.	MCBM920S1		
Capacity	9.2 Cu. Ft.		
Unit Dimensions (inches)	Width	Height	Depth
	23 4/5"	59 4/5"	26 2/3"
Net Weight (lbs)	130(lbs)		

IMPORTANT SAFETY INSTRUCTIONS

 WARNING	To reduce the risk of fire, electrical shock, or injury when using your refrigerator, follow these basic precautions:
<ul style="list-style-type: none">• Read all instructions before using the refrigerator.• DANGER or WARNING: Risk of child entrapment.• To avoid the possibility of child entrapment, please take the following precautions before throwing out the refrigerator.<ul style="list-style-type: none">- Remove all doors from the unit.- Leave the shelves in place so that children may not easily climb inside.• Never allow children to operate, play with, or crawl inside the refrigerator.• Refrigerants: All refrigeration products contain refrigerants, which under the guidelines of federal law must be removed before disposal of product. It is the consumer's responsibility to comply with federal and local regulations when disposing of this product.• Never clean refrigerator parts with flammable fluids. The fumes can create a fire hazard or explosion.• Do not store or use gasoline or any other flammable vapors and liquids in the vicinity of this or any other refrigerator. The fumes can create a fire hazard or an explosion. <p style="text-align: center;">-Save these instructions-</p>	

INSTALLATION INSTRUCTIONS

Before Using Your Refrigerator

- Remove the exterior and interior packing.
- Before connecting the refrigerator to the power source, let it stand upright for approximately 4 hours. This will reduce the possibility of a malfunction in the cooling system from improper handling during transportation.
- Clean the interior surface with lukewarm water using a soft cloth. (Cleaning instruction on page 9)

Installing Your Refrigerator

- This appliance is designed to be free standing only, and should not be recessed or built-in.
- Place your refrigerator on a floor that is strong enough to support the refrigerator when it is fully loaded.
- Allow 5 inches of space between the back and sides of the refrigerator, which allows the proper air ventilation. Adjust the feet to keep the refrigerator level.
- Locate the refrigerator away from direct sunlight and sources of heat (stove, heater, radiator, etc.). Direct sunlight may affect the acrylic coating and heat sources may increase electrical consumption. Ambient temperature below 50°F (10°C) or above 85°F (29.4°C) will hinder the performance of this appliance. **This unit is not designed for use in a garage or any other outside installation.**
- Avoid locating the refrigerator in moist areas.
- Plug the refrigerator into dedicated, properly installed-grounded wall outlet. Do not under any circumstances cut or remove the third (ground) prong from the power cord. Any questions concerning power and/or grounding should be directed toward a certified electrician or an authorized service center. **This unit is not designed to be installed in an RV or used with an inverter.**
- After plugging the appliance into a wall outlet, turn the unit on and allow the unit to cool down for 2~3 hours under before placing food in the refrigerator or freezer compartment.

Electrical Connection

⚡WARNING⚡

Improper use of the grounded plug can result in the risk of electrical shock. If the power cord is damaged, have it replaced by an authorized service center.

This refrigerator should be properly grounded for your safety. The power cord of this refrigerator is equipped with a three-prong plug which mates with standard three prong wall outlets to minimize the possibility of electrical shock.

Do not, under any circumstances, cut or remove the third ground prong from the power cord supplied.

This refrigerator requires a standard 115/120 Volt A.C. ~/60Hz electrical outlet with three-prong ground.

This refrigerator is not designed to be used with an inverter.

The cord should be secured behind the refrigerator and not left exposed or dangling to prevent accidental injury.

Never unplug the refrigerator by pulling the power cord. Always grip the plug firmly and pull straight out from the receptacle.

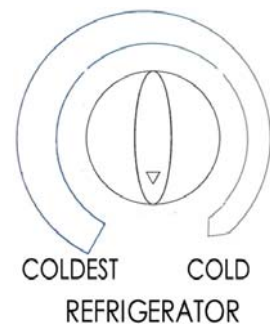
Do not use an extension cord with this appliance. If the power cord is too short, have a qualified electrician or service technician install an outlet near the appliance. Use of an extension cord can negatively affect the performance of the unit.

If any problems with the appliance persist, please contact our Customer Service Dept. to consult with a representative at **888 775-0202** or visit our website to request warranty service at **www.mcappliance.com**.

OPERATING THE REFRIGERATOR

Temperature Control

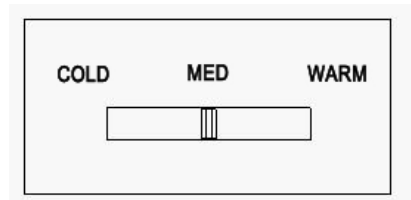
- Your refrigerator has a separate control for regulating the temperature for each section independently. The temperature controls are located at the rear of refrigerator section. (See the graphics shown above).
- The first time you turn the unit on, adjust the temperature control knob to “coldest” and run for at least 2 hours before putting foods inside. This will ensure the cabinet is thoroughly chilled before food is put in. After 24 to 48 hours, adjust the temperature control to the setting that best suits your needs.
- The range of the temperature controls are from position “ COLD” to “COLDEST ” in refrigerator section.
- **NOTE;**
 - If the unit is unplugged, loses power; you must wait 3 to 5 minutes before restarting the unit. If you attempt to restart before this time delay, the refrigerator will not start.
 - Large amounts of food will lower the cooling efficiency of the appliance.
 - Do not place the foods on the air outlet, and leave spaces for airflow.
 - If you choose to change the thermostat setting, adjust thermostat control by one increment at a time. Allow several hours for temperature to stabilize between adjustments.
 - Adjusting the temperature control in the refrigerator compartment will affect the temperature in both the refrigerator and the freezer compartment.



OPERATING THE FREEZER COMPARTMENT

Temperature Control

- Your refrigerator has a separate control for regulating the temperature for each section independently. The temperature controls are located at the rear of refrigerator section. (See the graphics shown above).
- The first time you turn the unit on, set the temperature control to “COLD” in refrigerator section and “COLD” in freezer section.
- The range of the temperature controls are from position “WARM” to “COLD” the coldest in refrigerator section and from position “WARM” the warmest to “COLD” the coldest. After 24 to 48 hours, adjust the temperature control to the setting that best suits your needs. The setting of “MED” in freezer section and the mid range marked “●” between “WARM” and “COLD” in refrigerator section should be correct for home or office refrigerator use.



Ice Tray

To make ice, pour cool water into ice tray and place it in the freezer for two hours. To release ice cubes, twist the ice tray and the ice cubes will separate from the ice tray. To shorten the time of making ice, you can set the temperature control knob at a colder position.



Notes:

Do not store can foods or food stored in glass containers in the freezer compartment.

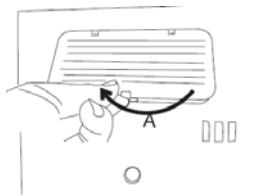
The Freezer Compartment

- This compartment is designed for the long-term storage of frozen food.
- The storage life of frozen foods varies and the recommended storage time should not be exceeded.
- Place frozen food into the freezer as quickly as possible after purchase. If there are instructions on the packet, carefully follow these instructions regarding storage times.

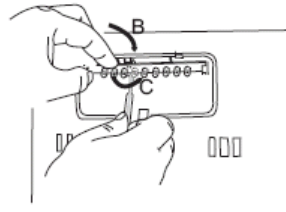
CHANGING THE LIGHT

Before removing the light bulb, turn off the refrigerator first and then unplug the unit from the wall outlet. Failure to do so could result in electrical shock or personal injury.

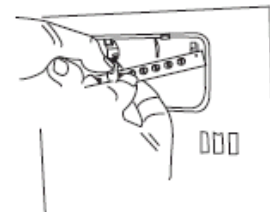
- As shown in Figure step 1, remove the lamp cover;
- As shown in Figure step 2, use left hand to press the LED light panel to inside along the direction of arrow B and pull out the circuit boards along the direction of "arrow C" with flat head screwdriver.
- As shown in Figure step 3, hold down of wire terminal with left hand and remove the LED lamp circuit with right hand seizing the other wire terminal .
- Replace with LED light that is the same shape and size.
- Reinstall the LED light panel and lamp cover.



Step 1

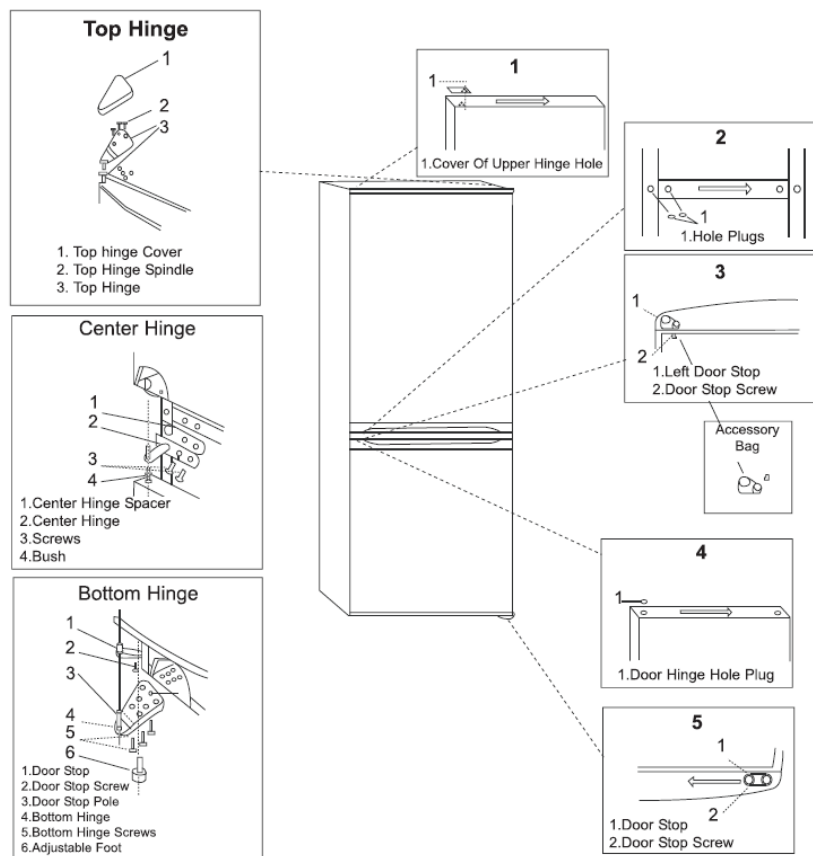


Step 2



Step 3

CHANGING THE REVERSIBLE DOOR



Your refrigerator is built with a reversible door. You have the choice of either opening it from the left or the right side. In order to reserve the opening direction of your door, please follow these simple instructions:

IMPORTANT:

Before you begin, unplug refrigerator or disconnect power. Remove food and any adjustable door or

utility bins from doors.

Door and Hinge Removal

1. Unplug refrigerator or disconnect power.
2. Keep both doors closed until you are ready to lift them free from the cabinet.
NOTE: Provide additional support for the doors while the hinges are being moved. Do not depend on the door magnets to hold the doors in place while you are working.
3. Remove the parts for the top hinge as shown in Top Hinge graphic. Lift the freezer door from the cabinet.
4. Remove the parts for the center hinge as shown in the Center Hinge graphic. Lift the refrigerator door free from the cabinet.
5. Remove the parts for the bottom hinge as shown in the Bottom Hinge graphic.

Door Reversal

Cabinet

1. Remove the cover of upper hinge hole from left side and move them to opposite side (see Graphic 1).
2. Remove hole plugs from left side and move them to opposite side (see Graphic 2)

Doors

1. Remove door hinge hole plug from the top of freezer and refrigerator door (see graphic 4)
2. Remove the door stop from refrigerator door and move to the other side (see graphic 5)
3. Take out the left door stop of freezer door and screw from the accessory bag and fix it on the handle (see graphic 3)
Note: The left door and the right door stop of the freezer door are different. They can't replace each other.

Door and Hinge Replacement

1. Replace the parts for the bottom hinge as shown (see Bottom Hinge graphic). Tighten screws. Replace the refrigerator door.
NOTE: Provide additional support for the doors while the hinges are being moved. Do not depend on the door magnets to hold the doors in place while you are working.
2. Assemble the parts for the center hinge as shown and tighten all screws (see Center Hinge graphic). Replace the freezer door.
3. Assemble the parts for the top hinge as shown (see Top Hinge graphic). Do not tighten screws completely.
4. Line up the doors so that the bottom of the freezer door aligns evenly with the top of the refrigerator door. Tighten all screws.

Final Steps

1. Check all holes to make sure that hole plugs and screws are in place.
2. Plug in refrigerator or reconnect power.
3. Reset the controls (see "temperature control" section).
4. Return all removable door parts to doors and food to product.

CARE AND MAINTENANCE

Cleaning Your Refrigerator

- Upon installation of your new appliance, it is recommended that it be cleaned thoroughly.
- Turn off the refrigerator first and then unplug the unit from the wall outlet.
- Remove all food content.
- Wash the inside with a damp warm cloth soaked in lukewarm water and baking soda solution. The solution should be about 2 tablespoons of baking soda to a quart of water.
- Be sure to keep the door gasket (seal) clean to keep the unit running efficiently.
- The outside of the refrigerator should be cleaned with mild detergent and warm water.
- Dry the interior and exterior with a soft cloth.

Vacation Time

- Turn off the refrigerator first and then unplug the unit from the wall outlet.
- Remove all the food.
- Clean the refrigerator.
- Leave the door open slightly to avoid possible formation of condensation, mold, or odors.
- Use extreme caution in the case of children. The unit should not be accessible to child's play.
- **Short vacations:** Leave the refrigerator operating during vacations of less than three weeks.
- **Long vacations:** If the appliance will not be used for several months, remove all food and unplug the power cord. Clean and dry the interior thoroughly. To prevent odor and mold growth, leave the door open slightly: blocking it open if necessary or have the door removed.

Moving Your Refrigerator

- Turn off the refrigerator first and then unplug the unit from the wall outlet.
- Remove all the food.
- Securely tape down all loose items inside your refrigerator.
- Tape the doors shut.
- Be sure the refrigerator stays in the upright position during transportation.

Energy Saving Tips

- The refrigerator should be located in the coolest area of the room, away from heat producing appliances or heating ducts, and out of the direct sunlight.
- Let hot foods cool to room temperature before placing in the refrigerator. Overloading the refrigerator forces the compressor to run longer. Foods that freeze too slowly may lose quality, or spoil.
- Be sure to wrap foods properly, and wipe containers dry before placing them in the refrigerator. This cuts down on frost build-up inside the refrigerator.
- Organize and label food to reduce door openings and extended searches. Remove as many items as needed at one time, and close the door as soon as possible.

TROUBLESHOOTING GUIDE

You can solve many common refrigerator problems easily, saving you the cost of a possible service call. Try the suggestions below to see if you can solve the problem before calling for service.

PROBLEM	POSSIBLE CAUSE
Refrigerator does not operate.	Not plugged in. The circuit breaker tripped or a blown fuse.
Compressor turns on and off frequently.	The room temperature is hotter than normal. A large amount of food has been added to the refrigerator. The door is opened too often. The door is not closed completely. The temperature control is not set correctly. The door gasket does not seal properly. The refrigerator does not have the correct clearances. The refrigerator has recently been disconnected for a period of time. 4 hours are required for the refrigerator to cool down completely.
Temperature inside the refrigerator is too warm.	Temperature control is set too warm. Turn the control to a cooler setting and allow several hours for the temperature to stabilize. Door is kept open too long or is opened too frequently. Warm air enters the refrigerator every time the door is opened. Open the door less often. The door is not closed completely. The door gasket does not seal properly. A large amount of warm or hot food might have been stored recently. Wait until the refrigerator has had a chance to reach its selected temperature. The refrigerator has recently been disconnected for a period of time. 4 hours are required for the refrigerator to cool down completely.
Temperature inside the refrigerator is too cold.	Temperature control is set too cold. Turn the control to a warmer setting and allow several hours for the temperature to stabilize.
Temperature of external refrigerator surface is warm.	The exterior refrigerator walls can be as much as 30°F warmer than room temperature. This is normal while the compressor works to transfer heat from inside the refrigerator cabinet.
Popping or cracking sound when compressor comes on.	Metal parts undergo expansion and contraction, as in hot water pipes. This is normal. Sound will level off or disappear as refrigerator continues to run.
Bubbling or gurgling sound, like water boiling.	Refrigerant (used to cool refrigerator) is circulating throughout the system. This is normal.
Vibrations.	Check to assure that the refrigerator is on a level surface. Floor is uneven or weak. Refrigerator rocks on the floor when it is moved slightly. Be sure floor can adequately support refrigerator. Level the refrigerator by putting wood or metal shims under part of the refrigerator. The refrigerator is touching the wall. Re-level the

	refrigerator and move it from the wall. See "Installation Instructions".
Moisture forms on inside refrigerator walls.	Weather is hot and humid, which increases internal rate of frost build-up. This is normal. Door is slightly open. Door is kept open too long, or is opened too frequently. Open the door less often. The door is not sealed properly.
Moisture forms on outside of refrigerator.	Door is slightly open, causing cold air from inside the refrigerator to meet warm moist air from outside.
The door will not close properly.	The refrigerator is not on a level surface. The gasket is dirty.



Limited Warranty

MC Appliance Corporation warrants each new Compact Refrigerator to be free from defects in material and workmanship, and agrees to remedy any such defect or to furnish a new part(s), at the company's option, for any part(s) of the unit that has failed during the warranty period. Parts and labor expenses are covered on this unit for a period of one year from the date of purchase. A copy of the dated sales receipt or invoice is required to receive warranty service, replacement or refund.

In addition, MC Appliance Corporation warrants the compressor (parts only) to be free from defects in material and workmanship for a period of five years. The consumer is responsible for all labor and transportation expenses related to the diagnosis and replacement of the compressor after the initial one-year warranty expires. In the event the unit requires replacement or refund under the terms of this warranty, the consumer is responsible for all transportation expenses to return the unit to our factory prior to receiving a replacement unit or refund. A copy of the dated sales receipt/invoice is required to receive warranty service, replacement or refund.

This warranty covers appliances in use within the contiguous United States, Alaska, Hawaii and Puerto Rico. This warranty does not cover the following:

- Damages due to shipping damage or improper installation.
- Damages due to misuse or abuse.
- Content losses due to failure of the unit.
- Inside components such as door panels, door shelves, racks, light bulbs, etc.
- Repairs performed by unauthorized service agents.
- Service calls that do not involve defects in material and workmanship such as instructions on proper use of the product or improper installation.
- Replacement or resetting of house fuses or circuit breakers.
- Failure of this product if used for other purposes than its intended purpose.
- Disposal costs for any failed unit not returned to our factory.
- Any delivery/installation costs incurred as the result of a unit that fails to perform as specified.
- Expenses for travel and transportation for product service if your appliance is located in a remote area where service by an authorized service technician is not available.
- The removal and reinstallation of your appliance if it is installed in an inaccessible location or is not installed in accordance with published installation instructions.
- Refunds for non repairable products are limited to the price paid for the unit per the sales receipt.
- This warranty is non transferable. This warranty applies only to the original purchaser and does not extend to any subsequent owner(s).

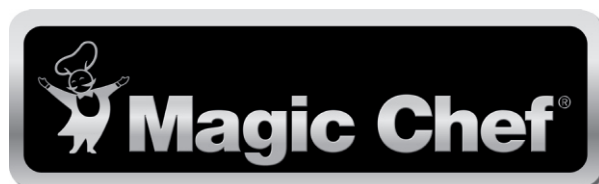
Limitations of Remedies and Exclusions:

Product repair in accordance with the terms herein, is your sole and exclusive remedy under this limited warranty. Any and all implied warranties including merchantability and fitness for a particular purpose are hereby limited to one year or the shortest period allowed by law. MC Appliance Corporation is not liable for incidental or consequential damages and no representative or person is authorized to assume for us any other liability in connection with the sale of this product. Under no circumstances is the consumer permitted to return this unit to the factory without the prior written consent of MC Appliance Corporation.

Some states prohibit the exclusion or limitation of incidental or consequential damages, or limitations on implied warranties. This warranty gives you specific legal rights, and you may also have other rights which vary from state to state.

Model	Parts & Labor	Compressor (Parts Only)	Type of Service
MCBM920W1	One Year	Five Years	In Home
MCBM920S1	One Year	Five Years	In Home

For Service or Assistance please call **888-775-0202** or visit us on the web at **www.mcappliance.com** to request warranty service or order parts.



**CNA International, Inc. d/b/a MC Appliance Corporation. All rights reserved.
Magic Chef® logo is a registered trademark of CNA International, Inc.**

www.mcappliance.com

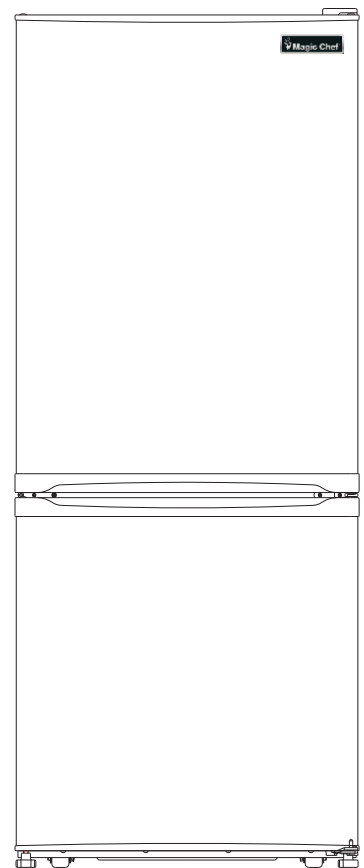
Printed in China



Magic Chef®

Refrigerador compacto de 92 pies cúbicos

Manual del usuario



Modelo MCBM920W1 / MCBM920S1

**LEA ESTE MANUAL ANTES DE UTILIZAR SU REFRIGERADOR Y GUÁRDELO
PARA FUTURA REFERENCIA.**



Registración del producto

Gracias por comprar el producto Magic Chef®. El primer paso para proteger su nuevo producto es completar la forma de registración en nuestra pagina web: www.mcappliance.com/register. Los beneficios de registrar su producto incluyen lo siguiente:

1. Al registrar su producto nos permite contactarle para notificarle de un cambio de seguridad o actualización del producto.
2. Si llegara a necesitar servicio bajo garantía, registrando su producto nos permite ser más eficiente en procesar el servicio.
3. En el evento que usted tenga una perdida que esta cubierto por un seguro, registrando su producto puede servir como prueba de su compra.

Una vez más gracias por comprar un producto marca Magic Chef®.

Instrucciones de seguridad importantes



ADVERTENCIA

Para reducir el riesgo de incendio, choque eléctrico o lesiones, siga estas precauciones básicas al usar su refrigerador.

1. **ADVERTENCIA:** mantenga las aberturas de ventilación, en el mismo aparato o en la estructura integrada, libres de obstrucciones.
2. **ADVERTENCIA:** no utilice dispositivos mecánicos u otros medios para acelerar la descongelación, más que los recomendados por el fabricante.
3. **ADVERTENCIA:** no dañe la tubería de refrigerante para aumentar el riesgo de una fuga al manejar, mover y usar el refrigerador.
4. **ADVERTENCIA:** no utilice aparatos eléctricos dentro de los compartimientos de almacenamiento de alimentos del aparato, a menos que sean del tipo recomendado por el fabricante.
5. **ADVERTENCIA — PELIGRO:** Nunca permita que los niños jueguen, hagan funcionar o se arrastren dentro del refrigerador. Existe el riesgo de que los niños queden atrapados. Antes de desechar su refrigerador o congelador viejo:
 - Quite las puertas
 - Deje los estantes en su lugar para que los niños no puedan entrar con facilidad.
6. El aparato debe desconectarse antes de realizar mantenimiento del usuario en el dispositivo.
7. Este aparato puede ser utilizado por niños de al menos 8 años y por personas con discapacidades físicas, sensoriales o mentales, o con falta de experiencia y conocimientos, bajo supervisión o si han recibido instrucciones sobre cómo usar el dispositivo de manera segura y si comprenden los peligros implicados. Los niños no deben jugar con el aparato. Los niños no deben realizar la limpieza o el mantenimiento sin supervisión.
8. Si el componente está dañado, debe ser reemplazado por el fabricante, su agente de servicio técnico o persona similar calificada para evitar cualquier peligro.
9. Deseche el refrigerador de acuerdo con las normas locales ya que la unidad contiene refrigerante y gas inflamable.
10. Siga las normas locales con respecto a la eliminación del aparato debido al refrigerante inflamable y el gas. Todos los aparatos de refrigeración contienen refrigerantes que, bajo los lineamientos de la ley federal, deben ser eliminados antes de desecharlos. Es responsabilidad del consumidor cumplir con los reglamentos federales y locales al desechar este producto.
11. Este aparato está destinado al uso doméstico y en aplicaciones similares como:
 - áreas de cocina en tiendas, oficinas y otros entornos laborales;
 - casas rurales y para clientes en hoteles, moteles y otros entornos de tipo residencial;
 - entornos de tipo hospedaje;
 - servicios de comidas y otras aplicaciones no comerciales similares.
12. No almacene ni use gasolina o cualquier licor y líquidos inflamables dentro o en las proximidades del refrigerador.
13. No utilice alargadores con este aparato. Si el cable de alimentación es demasiado corto, haga que un electricista calificado instale un tomacorriente cerca del aparato. El uso de una extensión puede afectar negativamente el rendimiento de la unidad.

Atención: peligro de incendio



PELIGRO : Riesgo de incendios



ES PELIGROSO PARA CUALQUIER PERSONA QUE NO SEA PERSONAL DE SERVICIO AUTORIZADO LLEVAR A CABO LOS SERVICIOS O LAS REPARACIONES QUE IMPLIQUEN LA EXTRACCIÓN DE LAS CUBIERTAS.

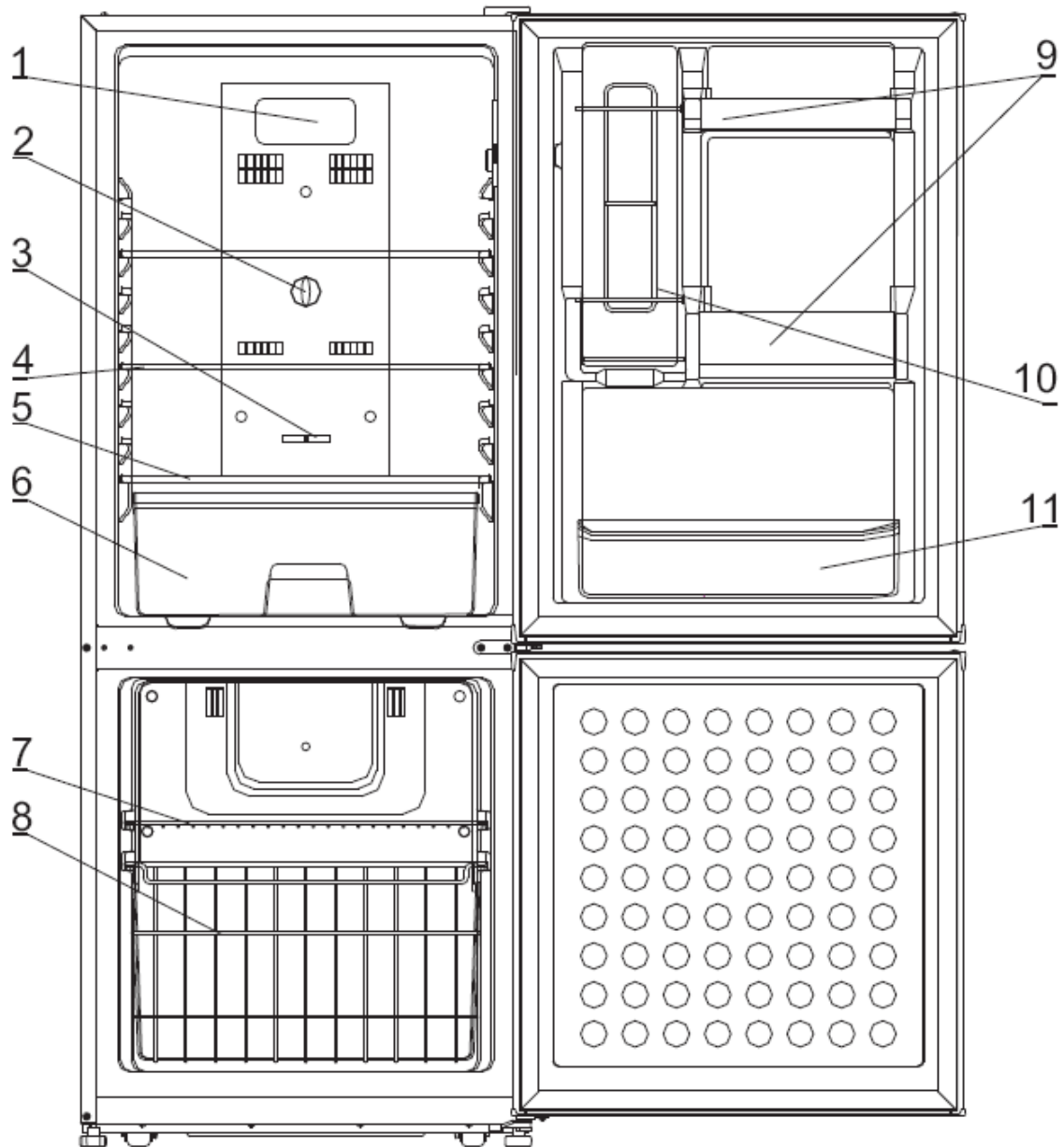
PARA EVITAR EL RIESGO DE UN CHOQUE ELÉCTRICO, NO INTENTE REPARARLO USTED MISMO.

INDICE DE MATERIAS

LOS NOMBRES DE LAS PARTES	2
ESPECIFICACIONES	3
LAS INSTRUCCIONES IMPORTANTES DE LA SEGURIDAD.....	4
INSTRUCCIONES DE INSTALACIÓN	
ANTES DE UTILIZAR SU REFRIGERADOR	4
INSTALACIÓN DE SU REFRIGERADOR	4 - 5
CONEXIÓN ELÉCTRICA	5
OPERAR EL REFRIGERADOR	
CONTROL DE TEMPERATURA	6
OPERAR EL COMPARTIMIENTO DEL CONGELADOR	
CONTROL DE TEMPERATURA	6
CUBITERA	6
COMPARTIMIENTO DEL CONGELADOR.....	7
CAMBIO DE LA BOMBILLA DE LUZ	7
INSTRUCCION DE LA REVOCACION DE LA PUERTA.....	8 - 9
CUIDE Y LA CONSERVACION	
PARA LIMPIAR SU REFRIGERADOR	10
EN LAS VACACIONES	10
PARA CAMBIAR DE LUGAR SU REFRIGERADOR	10
RECOMENDACIONES PARA AHORRAR ENERGÍA	10
GUÍA DE RESOLUCIÓN DE PROBLEMAS	11 - 12
GARANTÍA DE REFRIGERADOR.....	13

LOS NOMBRES DE LAS PARTES

MODELO N^o. MCBM920W1/ MCBM920S1



- 1 Luz interior
- 2 Control de temperatura del refrigerador
- 3 Control de temperatura del congelador
- 4 Estantes del refrigerador
- 5 Cubierta de vidrio del cajón de frutas y verduras
- 6 Cajón de frutas y verduras

- 7 Estante del congelador
- 8 Canasta del congelador
- 9 Rejillas de la puerta del refrigerador
- 10 Dispensador de latas
- 11 Cubo para guardar botellas

⚡ ADVERTENCIA ⚡: Nunca toque el interior de la Cámara del Congelador ni alimentos congelados en el compartimiento con manos mojadas como esto podría tener como resultado cubre de escarcha la mordedura.

ESPECIFICACIONES – Modelo # MCBM920W1

Descripción de producto	Magic Chef Refrigerador		
Modelo No.	MCBM920W1		
Capacidad	9.2 Cu. Ft.		
Dimensiones (pulgadas) de unidad	Anchura	Altura	Profundidad
	23 4/5"	59 4/5"	26 2/3"
Peso neto (lbs)	128(lbs)		

ESPECIFICACIONES – Modelo # MCBM920S1

Descripción de producto	Magic Chef Refrigerador		
Modelo No.	MCBM920S1		
Capacidad	9.2 Cu. Ft.		
Dimensiones (pulgadas) de unidad	Anchura	Altura	Profundidad
	23 4/5"	59 4/5"	26 2/3"
Peso neto (lbs)	130(lbs)		

LAS INSTRUCCIONES IMPORTANTES DE LA SEGURIDAD

⚡ ADVERTENCIA ⚡	Para reducir el riesgo de incendios, golpes de corriente o lesiones cuando utilice su Refrigerador, sírvase tener en cuenta las siguientes recomendaciones básicas:
<ul style="list-style-type: none">• Lea atentamente todas las instrucciones antes de usar el Refrigerador.• EI PELIGRO o ADVIRTIENDO: Riesgo de que los niños queden atrapados.• Para evitar este riesgo, sírvase observar las siguientes recomendaciones antes de lanzar fuera del refrigerador.<ul style="list-style-type: none">- Retire la tapa del Refrigerador.- Deje los estantes en lugar de modo que los niños no puedan subir fácilmente adentro.• No deje que los niños usen el Refrigerador, jueguen con él o se introduzcan en el interior.• Refrigerantes: Todos los productos para refrigeración contienen refrigerantes. La legislación federal dispone que es obligatorio quitar los refrigerantes antes de desechar la unidad. Es responsabilidad del consumidor cumplir con las disposiciones federales y locales al desechar este producto.• No limpie las partes del Refrigerador con productos inflamables. Los vapores pueden originar un incendio o explosión.• No almacene ni use gasolina ni ningún otro gas o líquido inflamable cuando se encuentre cerca de este Refrigerador u otro. Los vapores pueden originar un incendio o explosión. <p style="text-align: center;">-Excepto estas instrucciones-</p>	

INSTRUCCIONES DE INSTALACIÓN

Antes De Utilizar Su Refrigerador

- Retire el material de embalaje del exterior e interior.
- Antes de conectar el Refrigerador a la fuente de alimentación, déjelo en posición vertical durante 4 horas aproximadamente. De esta forma, se reducirá la posibilidad de mal funcionamiento del sistema de refrigeración debido a manipulación incorrecta durante el traslado.
- Limpie la superficie interior con agua tibia y paño suave. (Limpiando la instrucción en la página 9)

Instalación De Su Refrigerador

- Este electrodoméstico está diseñado para funcionar apoyado sobre el piso y no debe empotrarse ni embutirse en la pared.
- Coloque el Refrigerador sobre un piso que sea lo suficientemente resistente como para sostener el peso del electrodoméstico cuando esté cargado.
- Deje el Refrigerador separado 5 pulgadas de las paredes atrás y de los costados para que haya buena circulación de aire. Ajuste los pies para mantener el refrigerador llano.
- Ubique el Refrigerador fuera de la luz directa del sol y otras fuentes de calor (horno, calentador, radiador, etc.). La luz directa del sol puede afectar la cubierta de acrílico y las fuentes de calor pueden aumentar el consumo eléctrico. La temperatura ambiente debajo de 50°F (10°C) o sobre 85°F (29.4°C) obstaculizará el funcionamiento de esta aplicación. **Esta unidad no se diseña para el uso en un garage o ninguna otra instalación exterior.**
- No coloque el Refrigerador en ambientes húmedos.
- Enchufe el Refrigerador en un toma corriente con la debida descarga a tierra utilizado exclusivamente para este aparato. No corte ni retire la tercera pata (descarga a tierra) del enchufe bajo ninguna circunstancia. Cualquier duda relacionada con la red de electricidad y/o la descarga a tierra debe resolverse con un electricista certificado o un centro de servicios autorizado. **Esta**

unidad no se diseña para ser instalada en un RV o para ser utilizada con un inversor.

- Después de enchufar en el tomacorriente de pared, permite la unidad enfríe durante 2 ó 3 horas antes de colocar alimentos en el interior.

Conexión Eléctrica

⚡ ADVERTENCIA ⚡

El uso indebido de la descarga a tierra puede causar golpes de corriente. Si el cable de alimentación está dañado, hágalo reemplazar con un service autorizado.

El Refrigerador debe estar adecuadamente conectado a tierra para su seguridad. El cable de electricidad de este electrodoméstico cuenta con un enchufe de tres patas apto para los tomacorrientes de pared con tres patas para minimizar las posibilidades de golpes de corriente.

No corte ni retire la tercera pata de descarga a tierra del enchufe bajo ninguna circunstancia.

Este equipo debe conectarse a un toma corriente de tres patas con descarga a tierra instalado en una red estándar de electricidad con corriente 115 Volt A.C. / 60Hz.

Este refrigerador no se diseña para ser utilizado con un inversor.

El cable debe mantenerse recogido detrás del Refrigerador; no debe dejarse a la vista ni colgando para prevenir accidentes.

No desenchufar tirando del cable. Tome el enchufe con firmeza y tire en dirección opuesta al receptáculo.

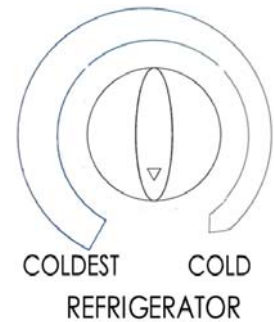
No utilice prolongaciones para conectar este aparato. Si el cable es muy corto, llame a un electricista o técnico calificado para que instale un toma corriente cerca del equipo. El uso de cables de prolongación puede perjudicar el funcionamiento de la unidad.

Si persisten algunos problemas con la aplicación, entre en contacto con por favor nuestro departamento del servicio de cliente para consultar con un representante en **888 775-0202** o visite nuestro Web site para solicitar servicio de la garantía en **www.mcappliance.com**

OPERAR EL REFRIGERADOR

Control De Temperatura

- Su refrigerador tiene un control independiente para regular la temperatura de cada sección por separado. Los controles de temperatura están ubicados en la parte de atrás del gabinete del refrigerador. (Ver gráficos de arriba).
- Cuando ponga en funcionamiento la unidad por primera vez, coloque la perilla de control de temperatura en la posición "COLDEST" (frío máximo) y deje funcionar durante por lo menos 2 horas antes de colocar alimentos en el interior. De esta forma, el gabinete estará uniformemente refrigerado antes de colocar alimentos en el interior. Después de 24-48 horas, regule el control de temperatura en la posición que mejor le convenga.
- El rango del control de temperatura varía de "COLD" (frío) a "COLDEST" (frío máximo) en la parte del refrigerador.
- **NOTA;**
 - Si se desenchufa la unidad, pierde energía; usted debe esperar 3 a 5 minutos antes de recomenzar la unidad. Si intenta volver a ponerla en funcionamiento antes de transcurrido ese período, el Refrigerador no funcionará.
 - Las grandes cantidades de alimentos disminuyen la capacidad de enfriamiento del aparato.
 - No coloque los alimentos en el enchufe de aire, y deje los espacios para la circulación de aire.
 - Si decide modificar el valor fijado en el termostato, ajústelo modificando de a un número por vez. Cada vez que realiza un ajuste, deje pasar varias horas para que se establezca la temperatura.
 - Al regular el control de temperatura en el compartimiento del refrigerador modificará la temperatura del refrigerador y del congelador.



OPERAR EL COMPARTIMIENTO DEL CONGELADOR

Control De Temperatura

- Su refrigerador tiene un control independiente para regular la temperatura de cada sección por separado. Los controles de temperatura están ubicados en la parte de atrás del gabinete del refrigerador. (Ver gráficos de arriba).
- The first time you turn the unit on, set the temperature control to "COLD" in refrigerator section and "COLD" in freezer section.
- The range of the temperature controls are from position "WARM" to "COLD" the coldest in refrigerator section and from position "WARM" the warmest to "COLD" the coldest. After 24 to 48 hours, adjust the temperature control to the setting that best suits your needs. The setting of "MED" in freezer section and the mid range marked "●" between "WARM" and "COLD" in refrigerator section should be correct for home or office refrigerator use.



Cubitera

Para hacer hielo, vierta agua fresca en la cubitera y coloque en el freezer durante dos horas. Para extraer los cubos de hielo, retuerza la cubitera y los cubos de hielo se despegarán del recipiente. Para reducir el tiempo de fabricación de hielo, puede girar la perilla de control de temperatura y llevarla a una posición de más frío.

Notas:

No almacene ni los alimentos o alimento almacenados en los envases de cristal en el compartimiento del congelador.



Compartimiento Del Congelador

- Este compartimiento está diseñado para el almacenamiento de alimentos congelados durante períodos prolongados.
- El tiempo máximo de almacenamiento depende del alimento que se congele y nunca se debe exceder el tiempo recomendado.
- Coloque los alimentos congelados en el Refrigerador lo antes posible después de la compra. Si el paquete trae instrucciones, siga las recomendaciones sobre los tiempos de guardado.

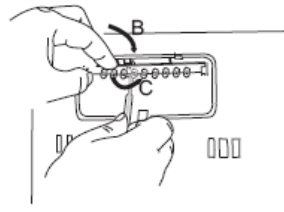
CAMBIO DE LA BOMBILLA DE LUZ

Antes de retirar la bombilla de la luz, primero apague el refrigerador y luego desenchufe el electrodoméstico de la toma de luz de la pared. Si no toma esta medida de seguridad puede sufrir un choque eléctrico o una lesión.

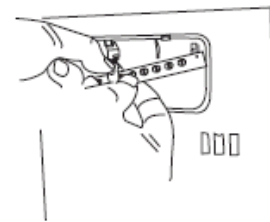
- Como se muestra en el paso 2 de la Figura, retire la cubierta de la bombilla;
- Como se muestra en el paso 2 de la Figura, use la mano izquierda para pulsar el panel de luz LED hacia adentro en la dirección que indica la flecha B y sacar los tableros de los circuitos en la dirección de la flecha C con un destornillador de cabeza chata.
- Como se muestra en el paso 3 de la Figura, presione hacia abajo la terminal del cable con la mano izquierda y retire el circuito de la lámpara LED con la mano derecha sosteniendo el terminal del otro cable.
- Reemplaza con una luz LED de la misma forma y tamaño.
- Vuelva a instalar el panel de la luz LED y la cubierta de la bombilla.



Paso 1

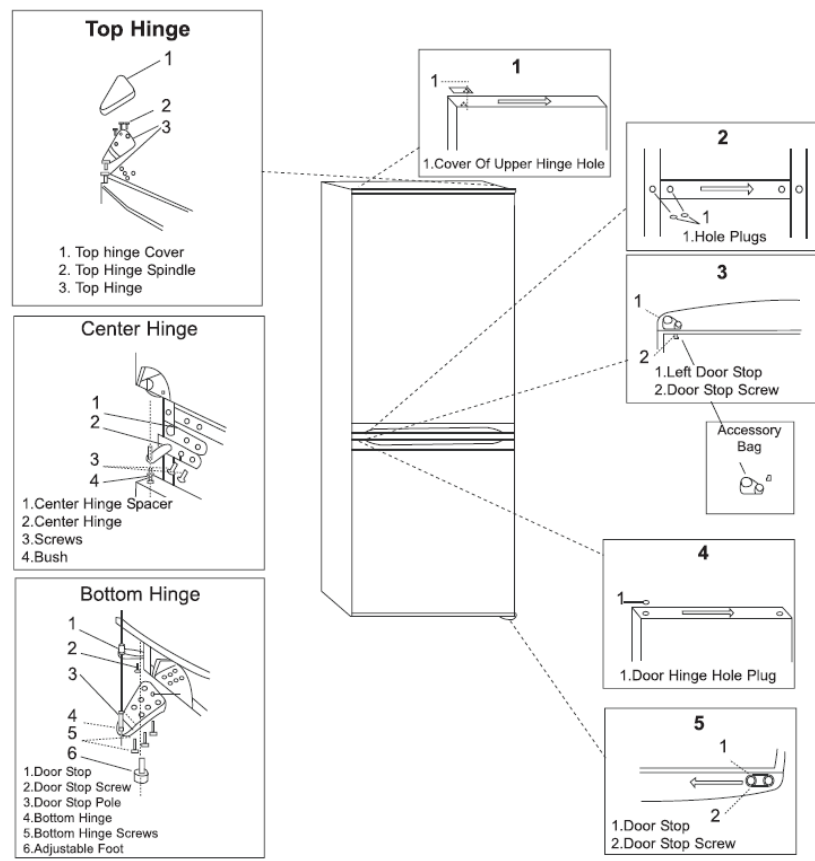


Paso 2



Paso 3

INSTRUCCION DE LA REVOCACION DE LA PUERTA



Su refrigerador está construido con puerta reversible. Usted puede elegir que la puerta se abra hacia la izquierda o hacia la derecha. Para poder cambiar el sentido de apertura de la puerta, siga estas sencillas instrucciones:

IMPORTANTE:

Antes de empezar, desenchufe el refrigerador o interrumpa el suministro de energía. Retire los alimentos y las puertas ajustables o recipientes que se encuentren en la contrapuerta.

Retiro de la puerta y las bisagras

1. Desenchufe el refrigerador o interrumpa el suministro de energía.
2. Mantenga ambas puertas cerradas hasta que esté listo para retirarlas del gabinete.
NOTA: Coloque un apoyo adicional para las puertas mientras cambia de lugar las bisagras. No confíe en los imanes para mantener las puertas en su lugar mientras está trabajando.
3. Retire las partes de la bisagra superior como se muestra en el gráfico "Bisagra superior". Levante la puerta del freezer y retírela del gabinete.
4. Retire las partes de la bisagra central como se muestra en el gráfico "Bisagra central". Levante la puerta del refrigerador y retírela del gabinete.
5. Retire las partes de la bisagra inferior como se muestra en el gráfico "Bisagra inferior".

Para invertir la puerta

Gabinete

1. Retire la cubierta de los orificios de la bisagra superior del lado izquierdo y colóquela del lado contrario (ver gráfico 1).
2. Retire el tapón de los orificios del lado izquierdo y colóquelos del lado izquierdo (ver gráfico 2).

Puertas

1. Retire el tapón de los orificios de la bisagra de la puerta de la parte superior de la puerta del freezer y del refrigerador (ver gráfico 4).
2. Retire el tope de la puerta del refrigerador y colóquelo del otro lado (ver gráfico 5).
3. Saque el tope izquierdo de la puerta del freezer y tornillo de la bolsa de accesorios y fíjelo sobre la manija (ver gráfico 3).

Nota: Los topes de la puerta izquierda y de la puerta derecha de la puerta del freezer son diferentes. No se pueden intercambiar.

Cambio de la puerta y las bisagras

1. Cambie las partes de la bisagra inferior como se muestra (ver gráfico "Bisagra inferior"). Ajuste los tornillos. Vuelva a colocar la puerta del refrigerador.
NOTA: Coloque un apoyo adicional para las puertas mientras cambia de lugar las bisagras. No confíe en los imanes para mantener las puertas en su lugar mientras está trabajando.
2. Reúna las partes para la bisagra central como se muestra y ajuste todos los tornillos (ver gráfico "Bisagra central"). Vuelva a colocar la puerta del freezer.
3. Reúna las partes de la bisagra superior como se muestra (ver gráfico "Bisagra superior"). No ajuste completamente los tornillos.
4. Alinee las puertas de tal modo que la parte inferior de la puerta del freezer quede alineada en forma pareja con la parte superior de la puerta del refrigerador. Ajuste todos los tornillos.

Pasos finales

1. Revise todos los orificios para asegurarse de que todos los tapones de orificios y los tornillos estén en su lugar.
2. Enchufe el refrigerador o vuelva a suministrar energía.
3. Vuelva a fijar en su posición todos los controles (ver sección "control de temperatura").
4. Vuelva a colocar todas las partes desmontables y alimentos en la contrapuerta.

CUIDE Y LA CONSERVACION

Para Limpiar Su Refrigerador

- Una vez finalizada la instalación, se recomienda una limpieza completa de la unidad.
- Desenchufe la unidad del enchufe de pared.
- Quite todo el contenido del alimento.
- Limpie el interior con un paño humedecido en una solución de agua tibia y bicarbonato de soda. La solución se prepara con aproximadamente 2 cucharadas de bicarbonato de soda y un cuarto de agua.
- Recuerde mantener limpia la junta de la puerta (burlate) para que la unidad funcione correctamente.
- La parte exterior del Refrigerador se debe limpiar con una solución de agua tibia y detergente suave.
- Seque el interior y exterior con paño suave.

En Las Vacaciones

- Apague el refrigerador primero y después desenchufe la unidad del tomacorrientes de la pared.
- Quite todo el contenido del alimento.
- Limpie el refrigerador.
- Deje la puerta apenas abierta para evitar la posible formación de condensación, moho u olores.
- Extreme los cuidados cuando haya niños. La unidad no debe ubicarse donde los niños puedan jugar con ella.
- **Vacaciones cortas:** Deje el Refrigerador en funcionamiento durante los períodos de vacaciones que no superen las tres semanas.
- **Vacaciones largas:** Si el electrodoméstico no se usa durante varios meses, retire todos los alimentos y desconecte de la red de electricidad. Limpie y seque cuidadosamente el interior. Para evitar la formación de olores y humedad, deje la puerta apenas abierta: si es necesario, trábela para que se mantenga abierta o retire la puerta.

Para Cambiar De Lugar Su Refrigerador

- Apague el refrigerador primero y después desenchufe la unidad del tomacorrientes de la pared.
- Quite todo el contenido del alimento.
- Asegure con cinta adhesiva los elementos sueltos en el interior del Refrigerador.
- Asegure la puerta con cinta adhesiva.
- Verifique que el Refrigerador se mantenga en posición vertical durante el traslado.

Recomendaciones Para Ahorrar Energía

- El Refrigerador se debe ubicar en el lugar más fresco de la habitación, alejado de las fuentes de calor y de caños de calefacción, y protegido de la luz del sol directa.
- Deje que los alimentos calientes se enfríen hasta llegar a la temperatura ambiente antes de colocarlos en el Refrigerador. Si se coloca una cantidad excesiva de alimentos en el Refrigerador, se fuerza el compresor a trabajar durante más tiempo. Los alimentos que tardan mucho en congelarse pueden perder calidad o echarse a perder.
- Asegúrese de envolver los alimentos adecuadamente y seque los envases antes de ubicarlos en el Refrigerador. Esto ayuda a reducir la formación de escarcha en el interior.
- Organice y etiquete los alimentos para reducir la cantidad de veces que abre la puerta y las demoras de la búsqueda. Retire todos los elementos que necesita de una sola vez y cierre la puerta lo antes posible.

GUÍA DE RESOLUCIÓN DE PROBLEMAS

Usted puede resolver muchos de los inconvenientes comunes que se producen con el Refrigerador y ahorrarse el costo de llamar al servicio de mantenimiento. Intente las sugerencias a continuación para ver si puede resolver los problemas antes de llamar al service.

PROBLEMA	CAUSA POSIBLE
El Refrigerador no funciona.	No está enchufado. Se activó el corta corriente o se quemó un fusible.
El compresor se prende y se apaga con frecuencia.	La temperatura ambiente es más elevada que lo normal. Se ha colocado gran cantidad de alimentos en el Refrigerador. La puerta se abre con mucha frecuencia. La puerta no está completamente cerrada. La temperatura fijada en el control no es la correcta. La junta de la puerta no ajusta lo necesario. El Refrigerador no está lo suficientemente alejado de las paredes que lo rodean. El Refrigerador estuvo últimamente desconectado durante un período de tiempo. Se requieren 4 horas para que el Refrigerador se enfríe completamente.
La temperatura del interior del Refrigerador es muy elevada.	El control de temperatura está fijado a una temperatura muy elevada. Fije el control a una temperatura más baja y deje que la temperatura se estabilice durante varias horas. La puerta estuvo mucho tiempo abierta o se abrió con mucha frecuencia. Cada vez que se abre el Refrigerador entra aire caliente. Abra la puerta con menos frecuencia. La puerta no está completamente cerrada. La junta de la puerta no ajusta lo suficiente. Es posible que recientemente se haya guardado una gran cantidad de alimentos tibios o calientes. Espere hasta que el Refrigerador haya tenido la oportunidad de alcanzar la temperatura fijada. El Refrigerador estuvo últimamente desconectado durante un período de tiempo. Se requieren 4 horas para que el Refrigerador se enfríe completamente.
La temperatura del interior del Refrigerador es muy baja.	El control de temperatura está fijado a una temperatura muy baja. Fije el control a una temperatura más elevada y deje que la temperatura se estabilice durante varias horas.
La temperatura del exterior del Refrigerador es elevada.	Las paredes externas pueden llegar a tener una temperatura 30°F por encima de la temperatura ambiente. Esta situación es normal mientras el compresor trabaja para sacar el calor del interior del gabinete.
Ruidos de explosiones o rajaduras cuando el compresor empieza a funcionar.	Las partes metálicas se expanden y contraen como ocurre en las cañerías de agua caliente. Es normal. Los ruidos se normalizarán o desaparecerán a medida que el Refrigerador siga funcionando.

Ruidos burbujeantes parecidos al del agua hirviendo.	El refrigerante (utilizado para enfriar el Refrigerador) está circulando por el sistema. Es normal.
Vibraciones.	Verifique que el Refrigerador esté sobre una superficie nivelada. El piso está desparejo o no es fuerte. El Refrigerador se balancea sobre el piso apenas se lo toca. Verifique que el piso soporta adecuadamente el Refrigerador. Nivele el electrodoméstico poniendo cuñas de metal o madera debajo del Refrigerador El Refrigerador está tocando la pared. Vuelva a nivelar y retirar de la pared. Lea las "Instrucciones de instalación".
Se forma humedad en las paredes interiores del Refrigerador	El tiempo está caluroso y húmedo, lo que ocasiona la mayor acumulación de escarcha en el interior. Es normal. La puerta está apenas abierta. La puerta está mucho tiempo abierta o se abre con mucha frecuencia. Abra la puerta con menos frecuencia. La junta de la puerta no ajusta lo necesario.
Se forma humedad en las paredes externas del Refrigerador	La puerta está apenas abierta y el aire frío del interior se combina con el aire tibio del exterior.
La puerta no cierra convenientemente.	El Refrigerador no está en una superficie nivelada. La junta está sucia.



Garantía limitada

MC Appliance Corporation garantiza que todas las Refrigerador compacto carecen de defectos en el material y la mano de obra y acuerda solucionar cualquiera de estos defectos o instalar la(s) parte(s) nueva(s) (a elección de la compañía) en caso de que la unidad haya fallado durante el periodo de garantía. Las partes y gastos de reparación están cubiertos en esta unidad por un periodo de un año a partir de la fecha de compra. Es necesario presentar una copia del recibo o factura de compra con fecha para obtener los servicios de la garantía, el reemplazo o el reembolso.

Además MC Appliance corporation autoriza el compresor (piezas solamente) para estar libre de defectos en material y la ejecución por un periodo de cinco años. El consumidor es responsable de todo el trabajo y los costos del transporte relacionados con la diagnosis y el reemplazo del compresor después de las uno garantías inicial del año expiran. Si en el acontecimiento la unidad requiere el reemplazo o el reembolso bajo términos de esta garantía el consumidor es responsable de todos los costos del transporte volver la unidad a nuestra fábrica antes de recibir una unidad o un reembolso del reemplazo.

Esta garantía cubre los aparatos que se usen dentro de los Estados Unidos contiguos, Alaska, Hawái y Puerto Rico. La garantía no cubre lo siguiente:

- Daños debido al daño del envío o a la instalación incorrecta.
- Daños debido al mal uso o abuso.
- Pérdidas de contenido debido a falla de la unidad.
- Componentes internos como paneles de puertas, estantes en la puerta, estantes, bombillas, etc.
- Las reparaciones se realizaron por los agentes desautorizados del servicio.
- Llamadas de servicio que no implican defectos en material y la ejecución tal como instrucción en el uso apropiado del producto o de la instalación incorrecta.
- Reemplazo o reajuste de los fusibles o de los interruptores de la casa.
- Falla de este producto si se usa con fines distintos a los que fue diseñado.
- Costes de la disposición de unidades falladas no vueltas a nuestra fábrica.
- Todos los gastos de entrega/instalación incurridos como resultado de una unidad que no cumple con lo especificado.
- Gastos de viajes y el transporte de los productos principales de servicio si su aparato está situado en una zona remota donde el servicio por un técnico de servicio no está disponible.
- La remoción y reinstalación de su gran aparato, si está instalado en un lugar inaccesible o no está instalado de conformidad con las instrucciones de instalación publicadas.
- Restituciones por productos no reparables se limita al precio pagado por la unidad por el recibo de compra.
- Esta garantía es intransferible. Esta garantía es válida exclusivamente para el comprador original y no se extiende a ningún otro propietario o propietarios subsiguientes.

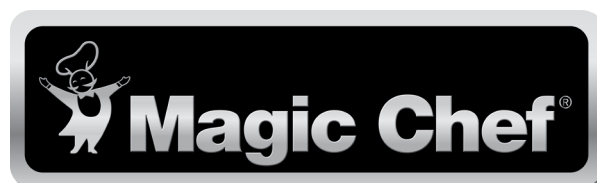
Limitaciones de remedios y exclusiones:

La reparación del producto de acuerdo con los términos de este documento, es el único y exclusivo remedio determinado en esta garantía limitada. Todas y cada una de las garantías implicadas, incluyendo la calidad de comerciable y capacidad para un propósito particular, se limitan mediante la presente a un año o el periodo más corto permitido por la ley. MC Appliance Corporation no es responsable por daños incidentales ni resultantes y ningún representante o persona alguna están autorizados para asumir de parte nuestra ninguna otra responsabilidad en relación con la venta de este producto. Bajo ninguna circunstancia se le permite al consumidor regresar esta unidad a la fábrica sin consentimiento previo por escrito de MC Appliance Corporation.

Algunos estados prohíben la exclusión o limitación por daños incidentales o resultantes, o limitaciones en las garantías implícitas. Esta garantía le otorga a usted derechos legales específicos, y usted puede también tener otros derechos que varían según la entidad federal/iva donde se encuentre.

Modelo	Piezas & Trabajo	Compresor (Parte solamente)	Tipo de servicio
MCBM920W1	Uno año	Cinco años	En Casa
MCBM920S1	Uno año	Cinco años	En Casa

Para servicio o asistencia, llame por favor al **888-775-0202**. O visítenos en **www.mcappliance.com** para solicitar el servicio de garantía o repuestos.



**CNA International, Inc. realiza negocios bajo el nombre de MC Appliance Corporation.
Derechos reservados.**

El logotipo Magic Chef® es una marca registrada de CNA International, Inc.

www.mcappliance.com

Impreso en China