

This Owner's Manual is provided and hosted by [Appliance Factory Parts](#).



MAGIC CHEF MCBR440B2 Owner's Manual

[Shop genuine replacement parts for MAGIC CHEF
MCBR440B2](#)



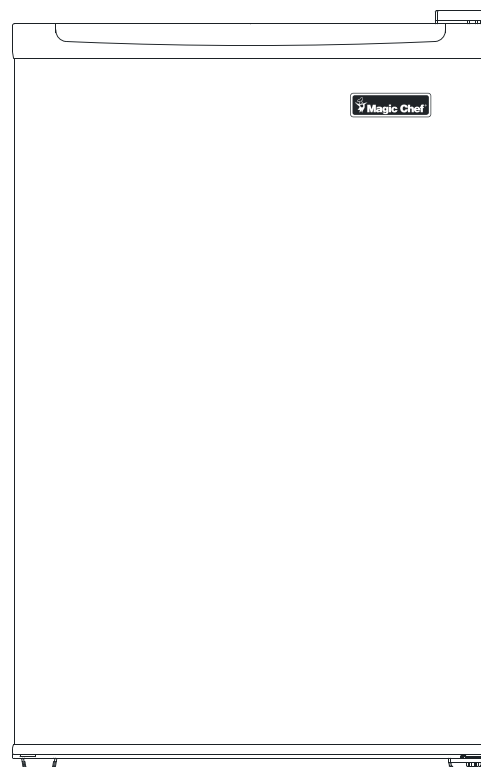
[Find Your MAGIC CHEF Refrigerator Parts - Select From 316 Models](#)

----- Manual continues below -----



4.4 Cu. Ft. Compact Refrigerator

User's Manual



Specifications are subject to change without prior notice for purpose of product improvement.

Model MCBR440W2 / MCBR440B2 / MCBR440S2

PLEASE READ THIS MANUAL CAREFULLY BEFORE USING YOUR REFRIGERATOR AND KEEP IT FOR FUTURE REFERENCE.



Product Registration

Thank you for purchasing a Magic Chef® product. The first step to protect your new product is to complete the product registration on our website: www.mcappliance.com/register. The benefits of registering your product include the following:

1. Registering your product will allow us to contact you regarding a safety notification or product update.
2. Registering your product will allow for more efficient warranty service processing when warranty service is required.
3. Registering your product could act as your proof of purchase in the event of insurance loss.

Once again, thank you for purchasing a Magic Chef® product.

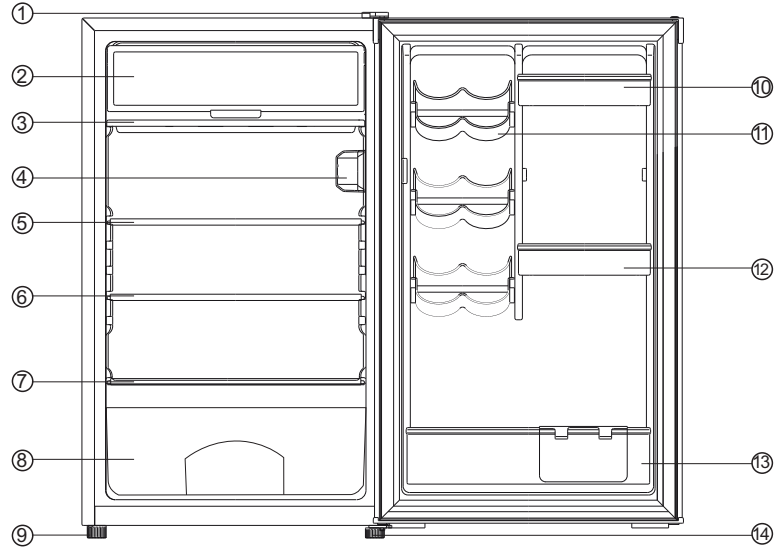
TABLE OF CONTENTS

NAMES OF THE PARTS.....	3
SPECIFICATIONS.....	3
IMPORTANT SAFETY INSTRUCTIONS.....	4 - 5
INSTALLATION INSTRUCTIONS	
BEFORE USING YOUR REFRIGERATOR	6
INSTALLING YOUR REFRIGERATOR	6
ELECTRICAL CONNECTION.....	6 - 7
OPERATING YOUR REFRIGERATOR	
TEMPERATURE CONTROL.....	8
ICE TRAY.....	8
THE CHILLER COMPARTMENT.....	8
HOW TO DEFROST	8 - 9
HOW TO CHANGE THE INTERIOR LIGHT.....	9
CHANGING THE REVERSIBLE DOOR	10 - 12
CARE AND MAINTENANCE	
CLEANING YOUR REFRIGERATOR.....	13
VACATION TIME.....	13
MOVING YOUR REFRIGERATOR.....	13
ENERGY SAVING TIPS.....	13
TROUBLESHOOTING GUIDE.....	14 - 15
LIMITED WARRANTY.....	16

NAMES OF THE PARTS

MODEL NO. MCBR440W2 / MCBR440B2 / MCBR440S2

- 1- Top hinge with cover
- 2- Chiller compartment
- 3- Drip tray
- 4- Temperature control
- 5- Full shelf
- 6- Full shelf
- 7- Crisper cover
- 8- Crisper
- 9- Leveling leg
- 10- Door bin
- 11- Can holders (Total 3)
- 12- Door bin
- 13- Door bin
- 14- Bottom hinge with leveling leg



⚠ WARNING ⚠: Never touch the interior of the Freezer Chamber or frozen foods in the compartment with wet hands as this could result in frost bite.


SPECIFICATIONS

Model

MCBR440W2 / MCBR440B2 / MCBR440S2

Product Description	Magic Chef Refrigerator		
Model No.	MCBR440W2 / MCBR440B2 / MCBR440S2		
Capacity	4.4 Cu. Ft.		
Unit Dimensions (inches)	Width	Height	Depth
	19.5"	33.1"	22.0"
Net Weight (lbs)	57(lbs)		

IMPORTANT SAFETY INSTRUCTIONS

	<p>To reduce the risk of fire, electrical shock, or injury when using your refrigerator, follow these basic precautions:</p>
<ul style="list-style-type: none"> • Read all instructions before using the refrigerator. • DANGER or WARNING: Risk of child entrapment. • To avoid the possibility of child entrapment, please take the following precautions before throwing out the refrigerator. <ul style="list-style-type: none"> - Remove all doors from the unit. - Leave the shelves in place so that children may not easily climb inside. • Never allow children to operate, play with, or crawl inside the refrigerator. • Never clean refrigerator parts with flammable fluids. The fumes can create a fire hazard or explosion. • Do not store or use gasoline or any other flammable vapors and liquids in the vicinity of this or any other refrigerator. The fumes can create a fire hazard or an explosion. <p style="text-align: center;">-Save these instructions-</p>	



To reduce the risk of fire, electrical shock, or injury follow these basic precautions when using your refrigerator.

- 1) **WARNING**—Keep ventilation openings, in the appliance enclosure or in the built-in structure, clear of obstruction.
- 2) **WARNING**—Do not use mechanical devices or other means to accelerate the defrosting process, other than those recommended by the manufacturer.
- 3) **WARNING**—Do not damage the refrigerant tubing to increase the risk of a leak when handle, move and use of refrigerator.
- 4) **WARNING**—Do not use electrical appliances inside the food storage compartments of the appliance, unless they are of the type recommended by the manufacturer.
- 5) **WARNING**—**DANGER:** Never allow children to play with, operate, or crawl inside the refrigerator. Risk of child entrapment. Before you throw away your old refrigerator or freezer:
 - Take off the doors
 - Leave the shelves in place so that children may not easily climb inside.
- 6) The appliance has to be unplugged before carrying out user maintenance on the appliance.
- 7) This appliance can be used by children age 8 years and above and persons with reduced physical sensory or mental capabilities or lack of experience and knowledge if they have been given supervision or instruction concerning use of the appliance in a safe way and understand the hazards involved. Children should not play with the appliance. Cleaning and maintenance should not be made by children without supervision.
- 8) If the component part is damaged, it must be replaced by the manufacturer, its service agent or similar qualified persons in order to avoid a hazard.
- 9) Please abandon the refrigerator according to local regulations as the unit contains flammable blowing gas and refrigerant.
- 10) Follow local regulations regarding disposal of the appliance due to flammable refrigerant and blowing gas. All refrigeration products contain refrigerants, which under the guidelines of federal law must be removed before disposal. It is the consumer's responsibility to comply with federal and local regulations when disposing of this product.

- 11) This appliance is intended to be used in household and similar environments such as
- staff kitchen areas in shops, offices and other working environments;
 - farm houses and by clients in hotels, motels and other residential type environments;
 - bed and breakfast type environments;
 - catering and similar non-retail applications.
- 12) Do not store or use gasoline or any inflammable liquors and liquids inside or in the vicinity of refrigerator.
- 13) Do not use an extension cord with this appliance. If the power cord is too short, have a qualified electrician install an outlet near the appliance. Use of an extension can negatively affect the unit's performance.



Caution: risk of fire



IT IS HAZARDOUS FOR ANYONE OTHER THAN AUTHORIZED SERVICE PERSONNEL TO CARRY OUT SERVICES OR REPAIRS INVOLVING THE REMOVAL OF COVERS.



TO AVOID THE RISK OF AN ELECTRICAL SHOCK DO NOT ATTEMPT REPAIRS YOURSELF.

INSTALLATION INSTRUCTIONS

Before Using Your Refrigerator

- Remove the exterior and interior packing.
- Before connecting the refrigerator to the power source, let it stand upright for approximately 4 hours. This will reduce the possibility of a malfunction in the cooling system from improper handling during transportation.
- Clean the interior surface with lukewarm water using a soft cloth. (Cleaning instruction on page 13)

Installing Your Refrigerator

- This appliance is designed to be free standing only, and should not be recessed or built-in.
- Place your refrigerator on a floor that is strong enough to support the refrigerator when it is fully loaded.
- Allow 5 inches of space between the back and sides of the refrigerator, which allows the proper air ventilation. Adjust the feet to keep the refrigerator level.
- Locate the refrigerator away from direct sunlight and sources of heat (stove, heater, radiator, etc.). Direct sunlight may affect the acrylic coating and heat sources may increase electrical consumption. Ambient temperature below 50°F (10°C) or above 85°F (29.4°C) will hinder the performance of this appliance. **This unit is not designed for use in a garage or any other outside installation.**
- Avoid locating the refrigerator in moist areas.
- Plug the refrigerator into dedicated, properly installed-grounded wall outlet. Do not under any circumstances cut or remove the third (ground) prong from the power cord. Any questions concerning power and/or grounding should be directed toward a certified electrician or an authorized service center. **This unit is not designed to be installed in an RV or used with an inverter.**
- After plugging the appliance into a wall outlet, turn the unit on and allow the unit to cool down for 2~3 hours under before placing food in the refrigerator or freezer compartment.

Electrical Connection

⚡WARNING⚡

Improper use of the grounded plug can result in the risk of electrical shock. If the power cord is damaged, have it replaced by an authorized service center.

This refrigerator should be properly grounded for your safety. The power cord of this refrigerator is equipped with a three-prong plug which mates with standard three prong wall outlets to minimize the possibility of electrical shock.

Do not, under any circumstances, cut or remove the third ground prong from the power cord supplied.

This refrigerator requires a standard 115 Volt A.C. ~/60Hz electrical outlet with three-prong ground.

This refrigerator is not designed to be used with an inverter.

The cord should be secured behind the refrigerator and not left exposed or dangling to prevent accidental injury.

Never unplug the refrigerator by pulling the power cord. Always grip the plug firmly and pull straight out from the receptacle.

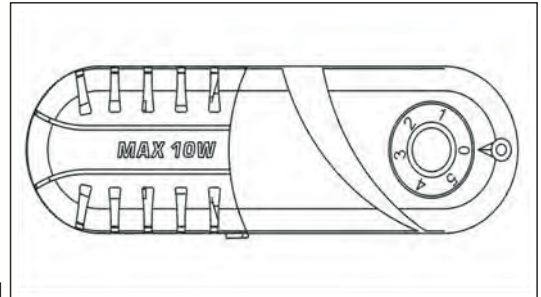
Do not use an extension cord with this appliance. If the power cord is too short, have a qualified electrician or service technician install an outlet near the appliance. Use of an extension cord can negatively affect the performance of the unit.

If any problems with the appliance persist, please contact our Customer Service Dept. to consult with a representative at **888 775-0202** or visit our website to request warranty service at **www.mcappliance.com**.

OPERATING YOUR REFRIGERATOR

Temperature Control

- Your refrigerator has one control for regulating the temperature. The temperature control is located on the upper right hand corner of the interior compartment.
- The first time you turn the unit on, adjust the temperature control knob to "5" and run for at least 2 hours before putting foods inside. This will ensure the cabinet is thoroughly chilled before food is put in.
- The range of the refrigerator temperature control is from position "1" to "5". Adjust the temperature control to the setting that best suits your needs. The setting of "3" should be appropriate for home or office refrigerator use.
- To turn off the refrigerator, please turn the temperature control knob to "0". Please note that turning the temperature control knob to "0" position stops the cooling cycle, but does not disconnect the power supply to the refrigerator.

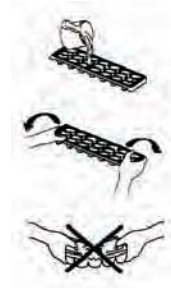


• **NOTE;**

- If the unit is unplugged, loses power; you must wait 3 to 5 minutes before restarting the unit. If you attempt to restart before this time delay, the refrigerator will not start.
- Large amounts of food will lower the cooling efficiency of the appliance.
- Do not place the foods on the air outlet, and leave spaces for airflow.
- If you choose to change the thermostat setting, adjust thermostat control by one increment at a time. Allow several hours for temperature to stabilize between adjustments.

Ice Tray

- Recommended temperature control setting for ice making is "5".
- Fill the ice cube tray (2/3 capacity) with cold water and place the tray on the bottom of the chiller compartment to freeze properly.
- To eject the ice cubes from the tray, place over the ice bucket and twist slightly.
- Re-set the temperature control to setting "3".



The Chiller Compartment

- This compartment is designed for the ice making and short-term storage of some commercially frozen foods.
- The temperature of the chiller compartment may not reach temperature low enough to store frozen foods and works well when the food is already frozen prior to storage.
- Place frozen food into the freezer as quickly as possible after purchase. If there are instructions on the packet, carefully follow these instructions regarding storage times.

How To Defrost

This refrigerator is equipped with a "Push Button" defrost thermostat system. To activate the defrost cycle, simply push (in) the red defrost button located in the center of the control knob/dial (do not turn the control knob/dial to zero/off). The defrost cycle is initiated immediately. When defrosting is complete, the "Push Button" will release (pop-out) automatically and resume normal operating conditions at the same temperature setting.

NOTE: If the “Push Button” is activated (pushed-in) accidentally, it will not be possible to “manually” pull-out the push button (deactivate the defrost cycle). You must let the defrost cycle run its course.

Defrosting of your refrigerator should take place whenever ice build-up inside the freezer compartment reaches 1/4” (6mm) thick. Defrosting may take a few hours, depending on the amount of accumulated ice and ambient indoor temperature. To speed up the defrosting process, remove all frozen foods from the freezer section. Leaving the door partially ajar for a short period of time will also speed up the process.

Important: You must remember to close the refrigerator door before the defrost cycle terminates and normal operating conditions resume automatically. The drip tray should be in position directly below the freezer compartment to catch condensed water during defrosting.

Note: Never use sharp or pointed instruments to remove ice from the freezer compartment. The freezer compartment contains refrigerated gas lines and if accidentally punched/pierced, will render the refrigerator inoperable and void the manufacturer’s warranty.

DO NOT ALLOW THE REFRIGERATOR TO CONTINUE OPERATION IF THE FREEZER COMPARTMENT IS PIERCED.

After defrosting is complete, set the control to maximum for 2 to 3 hours before returning to the desired position. When the refrigerator is not to be used for a long period of time, disconnect the appliance from the electrical supply and leave the door partially open. This will help to reduce mold and mildew build-up.

Note: Wait 3 to 5 minutes before attempting to restart the refrigerator if operation has been interrupted.

How To Change the interior light

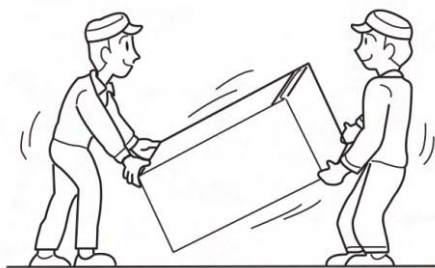
NOTE: All parts removed must be saved to do the reinstallation of the light bulb. Before removing the light bulb, unplug the appliance from the power supply. Failure to do so could result in electrical shock or personal injury.

1. Remove the lamp cover.
2. Unscrew the old bulb and install the new bulb.
3. Re-install the lamp cover.

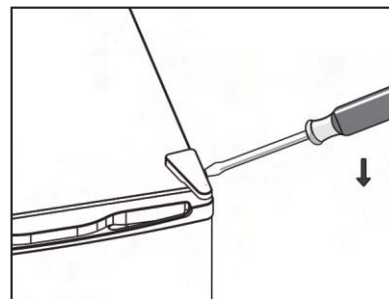
CHANGING THE REVERSIBLE DOOR

CAUTION: To avoid personal injury to yourself and/or property, we recommend someone assist you during the door reversal process.

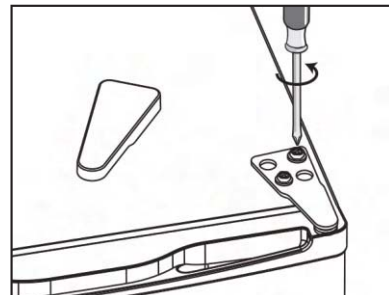
1. Tilt the unit slightly towards the rear and prop it securely. Two people are required to tilt the unit during the door reversal process.



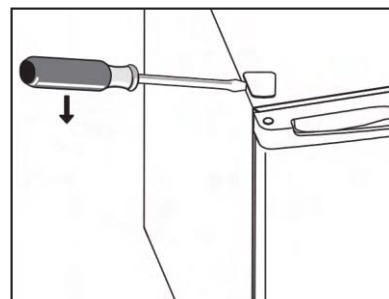
2. Remove the top right hinge cover.



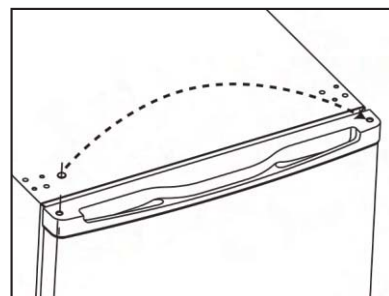
3. Undo the screws. Then remove the hinge bracket.



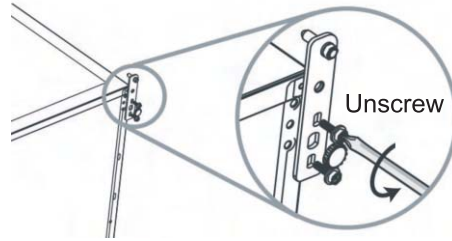
4. Remove the top left screw cover.



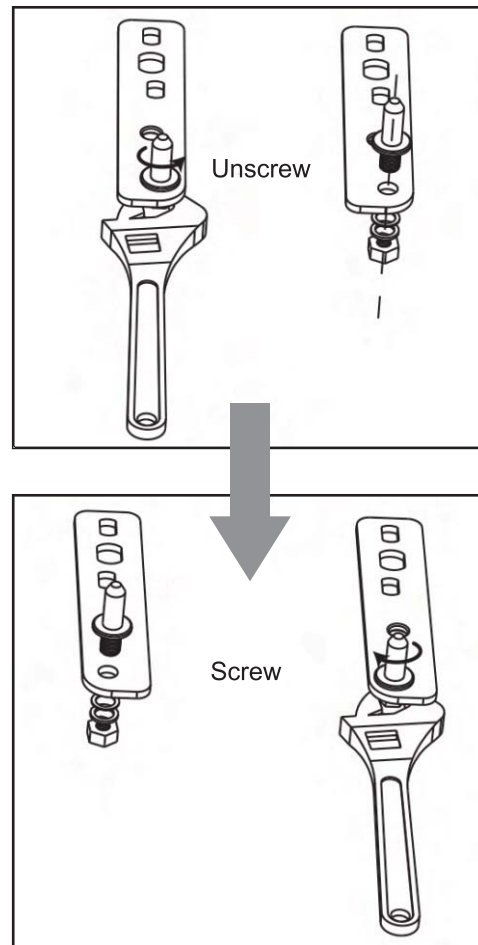
5. Move the core cover from left side to right side. And then lift the door and place it on a padded surface to prevent it from scratching.



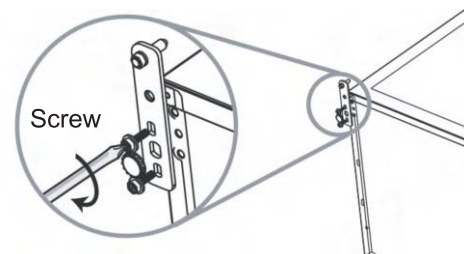
6. Remove the screws and bottom hinge. Then remove the leveling feet from both side.



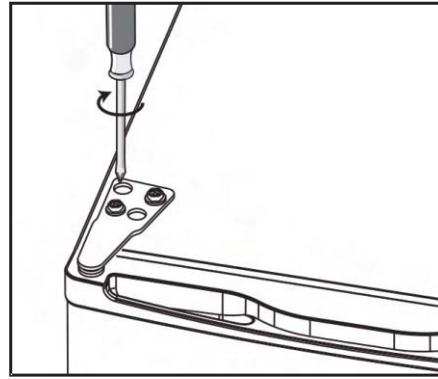
7. Unscrew and remove the bottom hinge pin, turn the bracket over and replace it.



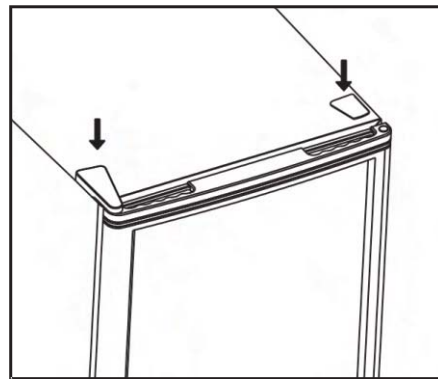
8. Refit the bracket fitting the bottom hinge pin. Replace both leveling feet.



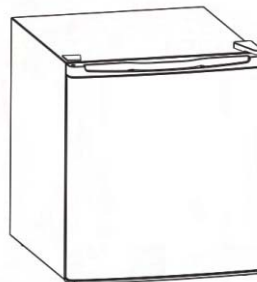
9. Place the door back on. Ensure the door is aligned horizontally and vertically so that the seals are closed on all sides before finally tightening the top hinge.
10. Insert the hinge bracket and screw it to the top of the unit.
11. Use a spanner to tighten it if necessary.



12. Put the hinge cover and the screw cover back.



13. With the door closed, check that the door is aligned horizontally and vertically and that the seals are closed on all sides before finally tightening the bottom hinge. Re-adjust the leveling feet as needed.



CARE AND MAINTENANCE

Cleaning Your Refrigerator

- Upon installation of your new appliance, it is recommended that it be cleaned thoroughly.
- Turn the temperature control knob to “0” and then unplug the unit from the wall outlet.
- Remove all food content.
- Wash the inside with a damp warm cloth soaked in lukewarm water and baking soda solution. The solution should be about 2 tablespoons of baking soda to a quart of water.
- Be sure to keep the door gasket (seal) clean to keep the unit running efficiently.
- The outside of the refrigerator should be cleaned with mild detergent and warm water.
- Dry the interior and exterior with a soft cloth.

Vacation Time

- Turn the temperature control knob to “0” and then unplug the unit from the wall outlet.
- Remove all the food.
- Clean the refrigerator.
- Leave the door open slightly to avoid possible formation of condensation, mold, or odor.
- Use extreme caution in the case of children. The unit should not be accessible to child’s play.
- **Short vacations:** Leave the refrigerator operating during vacations of less than three weeks.
- **Long vacations:** If the appliance will not be used for several months, remove all food and unplug the power cord. Clean and dry the interior thoroughly. To prevent odor and mold growth, leave the door open slightly: blocking it open if necessary or have the door removed.

Moving Your Refrigerator

- Turn the temperature control knob to “0” and then unplug the unit from the wall outlet.
- Remove all the food.
- Securely tape down all loose items inside your refrigerator.
- Tape the doors shut.
- Be sure the refrigerator stays in the upright position during transportation.

Energy Saving Tips

- The refrigerator should be located in the coolest area of the room, away from heat producing appliances or heating ducts, and out of the direct sunlight.
- Let hot foods cool to room temperature before placing in the refrigerator. Overloading the refrigerator forces the compressor to run longer. Foods that freeze too slowly may lose quality, or spoil.
- Be sure to wrap foods properly, and wipe containers dry before placing them in the refrigerator. This cuts down on frost build-up inside the refrigerator.
- Organize and label food to reduce door openings and extended searches. Remove as many items as needed at one time, and close the door as soon as possible.

TROUBLESHOOTING GUIDE

You can solve many common refrigerator problems easily, saving you the cost of a possible service call. Try the suggestions below to see if you can solve the problem before calling for service.

PROBLEM	POSSIBLE CAUSE
Refrigerator does not operate.	Not plugged in. The circuit breaker tripped or a blown fuse.
Compressor turns on and off frequently.	The room temperature is hotter than normal. A large amount of food has been added to the refrigerator. The door is opened too often. The door is not closed completely. The temperature control is not set correctly. The door gasket does not seal properly. The refrigerator does not have the correct clearances. The refrigerator has recently been disconnected for a period of time. 4 hours are required for the refrigerator to cool down completely.
Temperature inside the refrigerator is too warm.	Temperature control is set too warm. Turn the control to a cooler setting and allow several hours for the temperature to stabilize. Door is kept open too long or is opened too frequently. Warm air enters the refrigerator every time the door is opened. Open the door less often. The door is not closed completely. The door gasket does not seal properly. A large amount of warm or hot food might have been stored recently. Wait until the refrigerator has had a chance to reach its selected temperature. The refrigerator has recently been disconnected for a period of time. 4 hours are required for the refrigerator to cool down completely.
Temperature inside the refrigerator is too cold.	Temperature control is set too cold. Turn the control to a warmer setting and allow several hours for the temperature to stabilize.
Temperature of external refrigerator surface is warm.	The exterior refrigerator walls can be as much as 30°F warmer than room temperature. This is normal while the compressor works to transfer heat from inside the refrigerator cabinet.
Popping or cracking sound when compressor comes on.	Metal parts undergo expansion and contraction, as in hot water pipes. This is normal. Sound will level off or disappear as refrigerator continues to run.
Bubbling or gurgling sound, like water boiling.	Refrigerant (used to cool refrigerator) is circulating throughout the system. This is normal.
Vibrations.	Check to assure that the refrigerator is on a level surface. Floor is uneven or weak. Refrigerator rocks on the floor when it is moved slightly. Be sure floor can adequately support refrigerator. Level the refrigerator by putting wood or metal shims under

	<p>part of the refrigerator. The refrigerator is touching the wall. Re-level the refrigerator and move it from the wall. See "Installation Instructions".</p>
Moisture forms on inside refrigerator walls.	<p>Weather is hot and humid, which increases internal rate of frost build-up. This is normal. Door is slightly open. Door is kept open too long, or is opened too frequently. Open the door less often. The door is not sealed properly.</p>
Moisture forms on outside of refrigerator.	<p>Door is slightly open, causing cold air from inside the refrigerator to meet warm moist air from outside.</p>
The door will not close properly.	<p>The refrigerator is not on a level surface. The gasket is dirty.</p>



Limited Warranty

MC Appliance Corporation warrants each new Compact Refrigerator to be free from defects in material and workmanship, and agrees to remedy any such defect or to furnish a new part(s), at the company's option, for any part(s) of the unit that has failed during the warranty period. Parts and labor expenses are covered on this unit for a period of one year from the date of purchase. A copy of the dated sales receipt or invoice is required to receive warranty service, replacement or refund.

In addition, MC Appliance Corporation warrants the compressor (parts only) to be free from defects in material and workmanship for a period of five years. The consumer is responsible for all labor and transportation expenses related to the diagnosis and replacement of the compressor after the initial one-year warranty expires. In the event the unit requires replacement or refund under the terms of this warranty, the consumer is responsible for all transportation expenses to return the unit to our factory prior to receiving a replacement unit or refund. A copy of the dated sales receipt/invoice is required to receive warranty service, replacement or refund.

This warranty covers appliances in use within the contiguous United States, Alaska, Hawaii and Puerto Rico. This warranty does not cover the following:

- Damages due to shipping damage or improper installation.
- Damages due to misuse or abuse.
- Content losses due to failure of the unit.
- Inside components such as door panels, door shelves, racks, light bulbs, etc.
- Repairs performed by unauthorized service agents.
- Service calls that do not involve defects in material and workmanship such as instructions on proper use of the product or improper installation.
- Replacement or resetting of house fuses or circuit breakers.
- Failure of this product if used for other purposes than its intended purpose.
- Disposal costs for any failed unit not returned to our factory.
- Any delivery/installation costs incurred as the result of a unit that fails to perform as specified.
- Expenses for travel and transportation for product service if your appliance is located in a remote area where service by an authorized service technician is not available.
- The removal and reinstallation of your appliance if it is installed in an inaccessible location or is not installed in accordance with published installation instructions.
- Refunds for non repairable products are limited to the price paid for the unit per the sales receipt.
- This warranty is non transferable. This warranty applies only to the original purchaser and does not extend to any subsequent owner(s).

Limitations of Remedies and Exclusions:

Product repair in accordance with the terms herein, is your sole and exclusive remedy under this limited warranty. Any and all implied warranties including merchantability and fitness for a particular purpose are hereby limited to one year or the shortest period allowed by law. MC Appliance Corporation is not liable for incidental or consequential damages and no representative or person is authorized to assume for us any other liability in connection with the sale of this product. Under no circumstances is the consumer permitted to return this unit to the factory without the prior written consent of MC Appliance Corporation.

Some states prohibit the exclusion or limitation of incidental or consequential damages, or limitations on implied warranties. This warranty gives you specific legal rights, and you may also have other rights which vary from state to state.

Model	Parts & Labor	Compressor (Parts Only)	Type of Service
MCBR440W2	One Year	Five Years	Carry In
MCBR440B2	One Year	Five Years	Carry In
MCBR440S2	One Year	Five Years	Carry In

For Service or Assistance please call **888-775-0202** or visit us on the web at **www.mcappliance.com** to request warranty service or order parts.



**CNA International, Inc. d/b/a MC Appliance Corporation. All rights reserved.
Magic Chef® logo is a registered trademark of CNA International, Inc.**

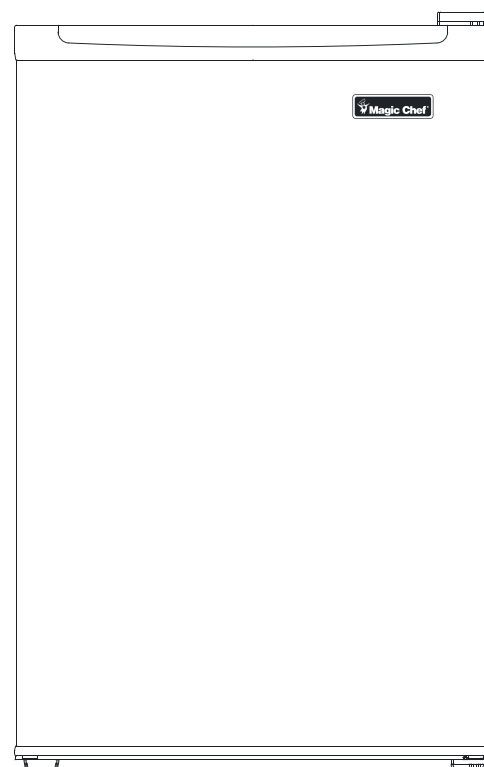
www.mcappliance.com

Printed in China



Refrigerador compacto de 4.4 pies cúbicos

Manual del usuario



**Las especificaciones están sujetas a cambios
sin previo aviso para mejorar el producto.**

Modelo MCBR440W2 / MCBR440B2 / MCBR440S2

**LEA ESTE MANUAL ANTES DE UTILIZAR SU REFRIGERADOR Y GUÁRDELO
PARA FUTURA REFERENCIA.**



Registración del producto

Gracias por comprar el producto Magic Chef®. El primer paso para proteger su nuevo producto es completar la forma de registración en nuestra pagina web: www.mcappliance.com/register. Los beneficios de registrar su producto incluyen lo siguiente:

1. Al registrar su producto nos permite contactarle para notificarle de un cambio de seguridad o actualización del producto.
2. Si llegara a necesitar servicio bajo garantía, registrando su producto nos permite ser más eficiente en procesar el servicio.
3. En el evento que usted tenga una perdida que esta cubierto por un seguro, registrando su producto puede servir como prueba de su compra.

Una vez más gracias por comprar un producto marca Magic Chef®.

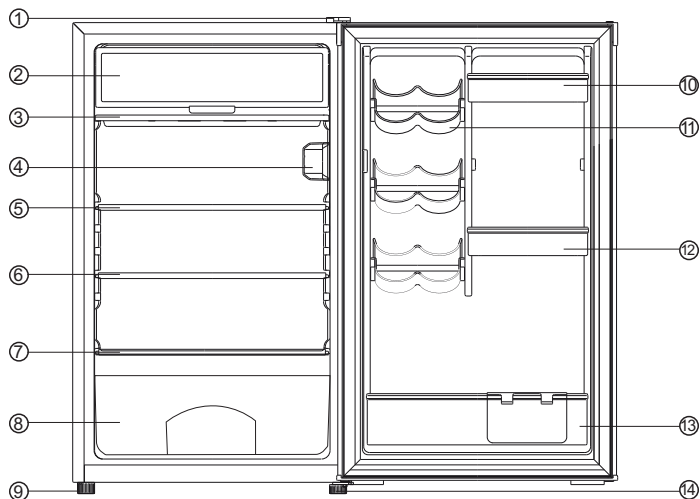
INDICE DE MATERIAS

EL NOMBRE DE LAS PARTS.....	3
ESPECIFICACIONES.....	3
INSTRUCCIONES DE SEGURIDAD IMPORTANTES.....	4 - 5
INSTRUCCIONES DE INSTALACIÓN	
ANTES DE UTILIZAR SU APARATO.....	6
INSTALAR EL REFRIGERADOR.....	6
CONEXIÓN ELÉCTRICA.....	6 - 7
OPERAR EL REFRIGERADOR	
CONTROL DE TEMPERATURA.....	8
CUBITERA.....	8
EI COMPARTIMIENTO REFRIGERATO.....	8
CÓMO DESHELAR.....	9
CAMBIO DE LA BOMBILLA DE LUZ.....	9
CAMBIO DE LA PUERTA REVERSIBLE	10 - 12
CUIDE Y LA CONSERVACIÓN	
PARA LIMPIAR SU APARATO	13
EN LAS VACACIONES	13
PARA CAMBIAR DE LUGAR SU APARATO.....	13
RECOMENDACIONES PARA AHORRAR ENERGÍA.....	13
GUÍA DE RESOLUCIÓN DE PROBLEMAS.....	14 - 15
GARANTIA LIMITADA.....	16

EL NOMBRE DE LAS PARTS

MODELO N° MCBR440W2 / MCBR440B2 / MCBR440S2

- 1-Eje superior con tapa
- 2-Compartimento enfriador
- 3-Bandeja de goteo
- 4-Control de temperature
- 5-Estantes completos
- 6-Estantes completos
- 7-Tapa de cajon
- 8-Cajon
- 9-Pata de nivelacion
- 10-Cajon de puerta
- 11-Porta latas (3 en total)
- 12-Cajon de puerta
- 13-Cajon de puerta
- 14-Eje inferior con pata de nivelacion



⚠ADVERTENCIA⚠: Nunca toque el interior de la Cámara del Congelador ni alimentos congelados en el compartimiento con manos mojadas como esto podría tener como resultado cubre de escarcha la mordedura.


ESPECIFICACIONES

Modelo

MCBR440W2 / MCBR440B2 / MCBR440S2

Descripción Del Producto	REFRIGERADOR Magic Chef		
No Modelo	MCBR440W2 / MCBR440B2 / MCBR440S2		
Capacidad	4.4 pies cúbicos		
Dimensiones(pulgadas) de unidad	Anchura	Altura	Profundidad
	19.5"	33.1"	22.0"
Peso neto (lbs)	57(lbs)		

INSTRUCCIONES DE SEGURIDAD IMPORTANTES

 ADVERTENCIA	Para reducir el riesgo de incendios, golpes de corriente o lesiones cuando utilice su Refrigerador, sírvase tener en cuenta las siguientes recomendaciones básicas:
<ul style="list-style-type: none">• Lea atentamente todas las instrucciones antes de usar el Refrigerador.• EI PELIGRO o ADVIRTIENDO: Riesgo de que los niños queden atrapados.• Para evitar este riesgo, sírvase observar las siguientes recomendaciones antes de lanzar fuera del refrigerador.<ul style="list-style-type: none">- Retire la tapa del Refrigerador.- Deje los estantes en lugar de modo que los niños no puedan subir fácilmente adentro.• No deje que los niños usen el Refrigerador, jueguen con él o se introduzcan en el interior.• No limpie las partes del Refrigerador con productos inflamables. Los vapores pueden originar un incendio o explosión• No almacene ni use gasolina ni ningún otro gas o liquido inflamable cuando se encuentre cerca de este Refrigerador u otro. Los vapores pueden originar un incendio o explosión. <p style="text-align: center;">-Excepto estas insrucciones-</p>	



Para reducir el riesgo de incendio, choque eléctrico o lesiones, siga estas precauciones básicas al usar su refrigerador.

1. **ADVERTENCIA:** mantenga las aberturas de ventilación, en el mismo aparato o en la estructura integrada, libres de obstrucciones.
2. **ADVERTENCIA:** no utilice dispositivos mecánicos u otros medios para acelerar la descongelación, más que los recomendados por el fabricante.
3. **ADVERTENCIA:** no dañe la tubería de refrigerante para aumentar el riesgo de una fuga al manejar, mover y usar el refrigerador.
4. **ADVERTENCIA:** no utilice aparatos eléctricos dentro de los compartimientos de almacenamiento de alimentos del aparato, a menos que sean del tipo recomendado por el fabricante.
5. **ADVERTENCIA — PELIGRO:** Nunca permita que los niños jueguen, hagan funcionar o se arrastren dentro del refrigerador. Existe el riesgo de que los niños queden atrapados. Antes de desechar su refrigerador o congelador viejo:
 - Quite las puertas
 - Deje los estantes en su lugar para que los niños no puedan entrar con facilidad.
6. El aparato debe desconectarse antes de realizar mantenimiento del usuario en el dispositivo.
7. Este aparato puede ser utilizado por niños de al menos 8 años y por personas con discapacidades físicas, sensoriales o mentales, o con falta de experiencia y conocimientos, bajo supervisión o si han recibido instrucciones sobre cómo usar el dispositivo de manera segura y si comprenden los peligros implicados. Los niños no deben jugar con el aparato. Los niños no deben realizar la limpieza o el mantenimiento sin supervisión.
8. Si el componente está dañado, debe ser reemplazado por el fabricante, su agente de servicio técnico o persona similar calificada para evitar cualquier peligro.
9. Deseche el refrigerador de acuerdo con las normas locales ya que la unidad contiene refrigerante y gas inflamable.
10. Siga las normas locales con respecto a la eliminación del aparato debido al refrigerante inflamable y el gas. Todos los aparatos de refrigeración contienen refrigerantes que, bajo los lineamientos de la ley federal, deben ser eliminados antes de desecharlos. Es responsabilidad del consumidor cumplir con los reglamentos federales y locales al desechar este producto.

11. Este aparato está destinado al uso doméstico y en aplicaciones similares como:

- áreas de cocina en tiendas, oficinas y otros entornos laborales;
- casas rurales y para clientes en hoteles, moteles y otros entornos de tipo residencial;
- entornos de tipo hospedaje;
- servicios de comidas y otras aplicaciones no comerciales similares.

12. No almacene ni use gasolina o cualquier licor y líquidos inflamables dentro o en las proximidades del refrigerador.

13. No utilice alargadores con este aparato. Si el cable de alimentación es demasiado corto, haga que un electricista calificado instale un tomacorriente cerca del aparato. El uso de una extensión puede afectar negativamente el rendimiento de la unidad.



Atención: peligro de incendio



ES PELIGROSO PARA CUALQUIER PERSONA QUE NO SEA PERSONAL DE SERVICIO AUTORIZADO LLEVAR A CABO LOS SERVICIOS O LAS REPARACIONES QUE IMPLIQUEN LA EXTRACCIÓN DE LAS CUBIERTAS.



PARA EVITAR EL RIESGO DE UN CHOQUE ELÉCTRICO, NO INTENTE REPARARLO USTED MISMO.

INSTRUCCIONES DE INSTALACIÓN

ANTES DE UTILIZAR SU APARATO

- Retire el material de embalaje del exterior e interior.
- Antes de conectar el Refrigerador a la fuente de alimentación, déjelo en posición vertical durante 4 horas aproximadamente. De esta forma, se reducirá la posibilidad de mal funcionamiento del sistema de refrigeración debido a manipulación incorrecta durante el traslado.
- Limpie la superficie interior con agua tibia y paño suave. (Limpiando la instrucción en la página 13)

INSTALAR EL REFRIGERADOR

- Este electrodoméstico está diseñado para funcionar apoyado sobre el piso y no debe empotrarse ni embutirse en la pared.
- Coloque el Refrigerador sobre un piso que sea lo suficientemente resistente como para sostener el peso del electrodoméstico cuando esté cargado.
- Deje el Refrigerador separado 5 pulgadas de las paredes atrás y de los costados para que haya buena circulación de aire. Ajuste los pies para mantener el refrigerador llano.
- Ubique el Refrigerador fuera de la luz directa del sol y otras fuentes de calor (horno, calentador, radiador, etc.). La luz directa del sol puede afectar la cubierta de acrílico y las fuentes de calor pueden aumentar el consumo eléctrico. La temperatura ambiente debajo de 50°F (10°C) o sobre 85°F (29.4°C) obstaculizará el funcionamiento de esta aplicación. **Esta unidad no se diseña para el uso en un garage o ninguna otra instalación exterior.**
- No coloque el Refrigerador en ambientes húmedos.
- Enchufe el Refrigerador en un toma corriente con la debida descarga a tierra utilizado exclusivamente para este aparato. No corte ni retire la tercera pata (descarga a tierra) del enchufe bajo ninguna circunstancia. Cualquier duda relacionada con la red de electricidad y/o la descarga a tierra debe resolverse con un electricista certificado o un centro de servicios autorizado. **Esta unidad no se diseña para ser instalada en un RV o para ser utilizada con un inversor.**
- Después de enchufar en el tomacorriente de pared, prende la unidad y permite la unidad enfríe durante 2 ó 3 horas antes de colocar alimentos en el interior

CONEXIÓN ELÉCTRICA

⚡ ADVERTENCIA ⚡

El uso indebido de la descarga a tierra puede causar golpes de corriente. Si el cable de alimentación está dañado, hágalo reemplazar con un service autorizado.

El aparato debe estar adecuadamente conectado a tierra para su seguridad. El cable de electricidad de este electrodoméstico cuenta con un enchufe de tres patas apto para los tomacorrientes de pared con tres patas para minimizar las posibilidades de golpes de corriente.

No corte ni retire la tercera pata de descarga a tierra del enchufe bajo ninguna circunstancia.

Este equipo debe conectarse a un toma corriente de tres patas con descarga a tierra instalado en una red estándar de electricidad con corriente 115 Volt A.C. ~/60Hz.

Este aparato no se diseña para ser utilizado con un inversor.

El cable debe mantenerse recogido detrás del Aparato; no debe dejarse a la vista ni colgando para prevenir accidentes.

No desenchufar tirando del cable. Tome el enchufe con firmeza y tire en dirección opuesta al receptáculo.

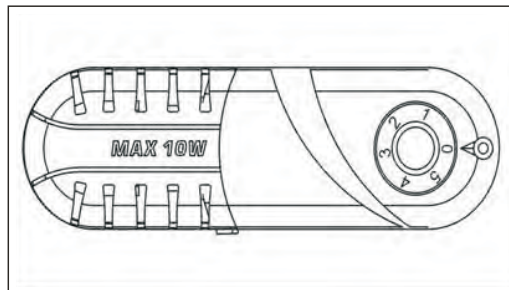
No utilice prolongaciones para conectar este aparato. Si el cable es muy corto, llame a un electricista o técnico calificado para que instale un toma corriente cerca del equipo. El uso de cables de prolongación puede perjudicar el funcionamiento de la unidad.

Si persisten algunos problemas con la aplicación, entre en contacto con por favor nuestro departamento del servicio de cliente para consultar con un representante en **888 775-0202** o visite nuestro Web site para solicitar servicio de la garantía en **www.mcappliance.com**.

OPERAR EL REFRIGERADOR

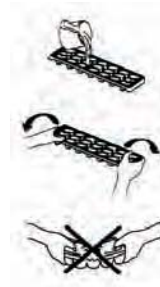
CONTROL DE TEMPERATURA

- La unidad tiene un control para regular la temperatura. El control de la temperatura está situado en la esquina superior de la mano derecha del compartimiento interior del refrigerador.
- La primera vez que usted gira la unidad, ajuste la perilla del control de la temperatura a "5" y funcione por lo menos 2 horas antes de poner los alimentos congelados adentro. De esta forma, el gabinete estará suficientemente refrigerado antes de colocar los alimentos.
- Las temperaturas del control varían desde la posición "1", la más baja, hasta "5", la más fría. Elija la temperatura más conveniente para sus necesidades y fíjela en el control. La posición "3" debería ser la indicada para el uso en el hogar o en la oficina.
- Para dar vuelta apagado al refrigerador, dé vuelta por favor a la perilla del control de la temperatura a "0". Observe por favor eso que da vuelta a la perilla del control de la temperatura a las paradas de "0" posiciones el ciclo que se refresca, pero no desconecta la fuente de alimentación al refrigerador.
- **NOTA:**
 - Si se desenchufa la unidad, pierde energía; usted debe esperar 3 a 5 minutos antes de recomenzar la unidad. Si intenta volver a ponerla en funcionamiento antes de transcurrido ese período, el Refrigerador no funcionará.
 - Las grandes cantidades de alimentos disminuyen la capacidad de enfriamiento del aparato.
 - No coloque los alimentos en el enchufe de aire, y deje los espacios para la circulación de aire.
 - Si decide modificar el valor fijado en el termostato, ajústelo modificando de a un número por vez. Cada vez que realiza un ajuste, deje pasar varias horas para que se establezca la temperatura.



CUBITERA

- Para la fabricación de hielo se recomienda fijar la perilla de control de temperatura en la posición "5".
- Llene la cubitera (2/3 de su capacidad) con agua fría y colóquela en la parte inferior del compartimiento para que se congele.
- Para sacar los cubos de la cubitera, colóquela sobre el balde para cubos y retuércela levemente.
- Vuelva a fijar la perilla de control de temperatura en la posición "3".



EI COMPARTIMIENTO REFRIGERATO

- Este compartimiento está diseñado para la fabricación de hielo y para guardar transitoriamente alimentos que se venden congelados..
- Es posible que el compartimiento no alcance temperaturas lo suficientemente bajas como para que los alimentos se mantengan congelados en forma segura; funciona adecuadamente cuando los alimentos ya están congelados antes de guardarse.
- Coloque los alimentos congelados en el freezer lo antes posible después de la compra. Si el producto trae instrucciones en el envase, siga las recomendaciones sobre los plazos de almacenamiento.

CÓMO DESCONGELAR

Este refrigerador está equipado con un sistema de termostato para descongelación con el botón para presionar "Push"(semiautomático). Para activar el ciclo de descongelación, simplemente presione el botón rojo de descongelación localizado en el centro de la perilla/el dial de control (no gire la perilla/el dial de control a cero/apagado). El ciclo de descongelación se iniciará inmediatamente. Cuando la descongelación se haya completado, el botón "Push" se liberará (volverá a su posición normal) de forma automática y se reanudarán las condiciones normales de funcionamiento con el mismo ajuste de temperatura.

NOTA: Si el botón "Push" se activa (presiona) por accidente, no será posible volver "manualmente" el pulsador a su posición inicial (desactivar el ciclo de descongelación). Debe dejar que el ciclo de descongelación siga su curso.

La descongelación del refrigerador debe llevarse a cabo siempre que la acumulación de hielo en el interior del congelador alcance los 6 mm (1/4") de espesor. La descongelación puede tardar un par de horas, de acuerdo con la cantidad de hielo acumulado y de la temperatura ambiente del interior. Para acelerar el proceso de descongelación, retire todos los alimentos congelados de la sección del congelador. Si deja la puerta parcialmente abierta durante un corto período también ayudará a acelerar el proceso.

IMPORTANTE: Debe recordar cerrar la puerta del refrigerador antes de que finalice el ciclo de descongelación y que las condiciones de funcionamiento normales se reanuden automáticamente. La bandeja de goteo debe estar en una posición directamente debajo del congelador para recoger el agua condensada durante la descongelación.

NOTA: Nunca use instrumentos filosos o puntiagudos para quitar el hielo del congelador. El congelador contiene líneas de gas refrigerado y si se golpea/perfora accidentalmente, hará que el refrigerador deje de funcionar y que se invalide la garantía del fabricante.

NO PERMITA QUE EL REFRIGERADOR CONTINÚE FUNCIONANDO SI EL CONGELADOR ESTÁ PERFORADO.

Una vez completada la descongelación, ajuste el control al máximo durante 2 o 3 horas antes de regresar a la posición deseada. Cuando el refrigerador no se utilice durante un largo período, desconecte el aparato de la red eléctrica y deje la puerta entreabierta. Esto ayudará a reducir la formación y acumulación de moho.

NOTA: Espere de 3 a 5 minutos antes de intentar reiniciar el refrigerador si se ha interrumpido el funcionamiento.

CAMBIO DE LA BOMBILLA DE LUZ

NOTA: Conservar todas las partes que retira para la reinstalación de la bombilla de luz. Antes de quitar la bombilla de luz desenchufe el aparato del tomacorriente. Si no lo hace se puede provocar un choque eléctrico o lesiones físicas.

1. Quite la cubierta de la lámpara.
2. Desenrosca la bombilla antigua e instala la nueva bombilla.
3. Vuelva a instalar la cubierta de la lámpara.

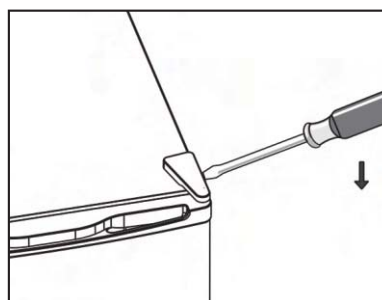
CAMBIO DE LA PUERTA REVERSIBLE

PRECAUCIÓN: Para evitar lesionarse a usted mismo o la propiedad, se recomienda que alguien le ayude durante el proceso de inversión de la puerta.

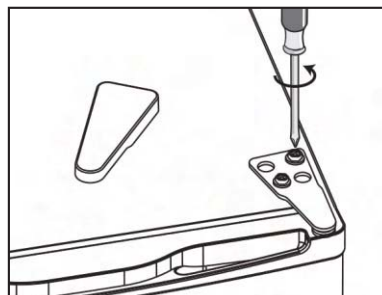
1. Incline la unidad ligeramente hacia la parte trasera y manténgala segura. Se necesitarán dos personas para inclinar la unidad durante el proceso de inversión de la puerta.



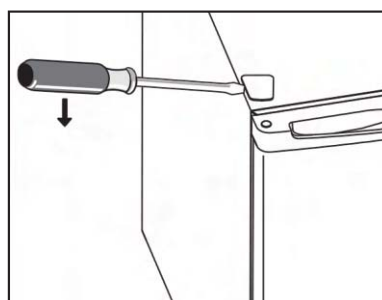
2. Quite la cubierta de la bisagra superior derecha.



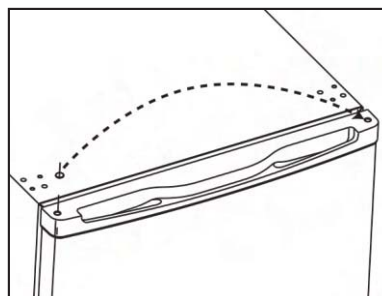
3. Afloje los tornillos. A continuación, retire el soporte de la bisagra.



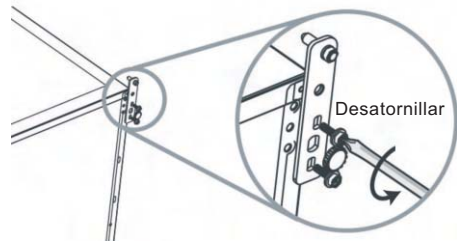
4. Retire la cubierta del tornillo superior izquierdo.



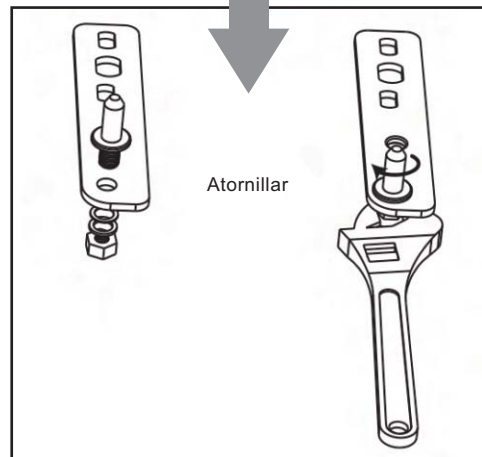
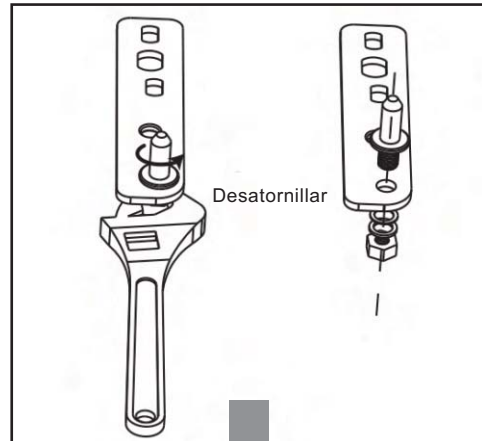
5. Mueva la cubierta central del lado izquierdo al lado derecho. Levante la puerta y colóquela sobre una superficie acolchada para evitar que se raye.



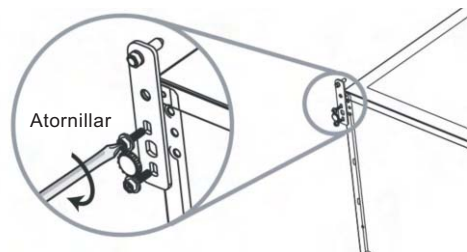
6. Retire los tornillos y la bisagra inferior. Luego, quite las patas ajustables de ambos lados.



7. Desatornille y retire el pasador de la bisagra inferior, gire el soporte y reemplácelo.



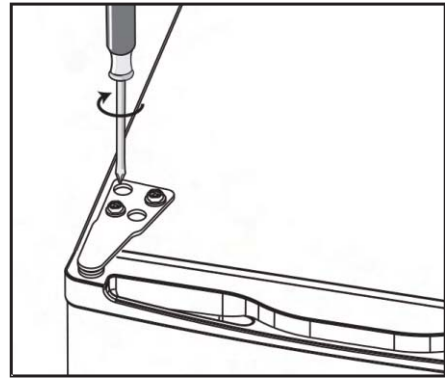
8. Vuelva a colocar el soporte para que encaje con el pasador de la bisagra inferior. Vuelva a colocar ambas patas ajustables. .



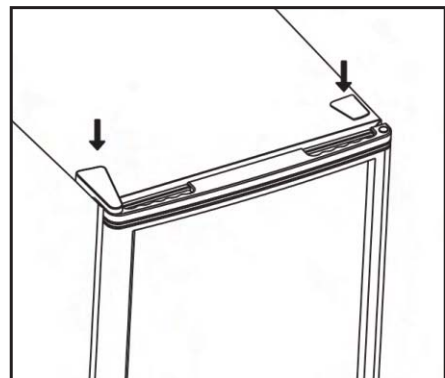
9. Coloque la puerta nuevamente. Asegúrese de que la puerta quede alineada horizontalmente y verticalmente para que las juntas estén cerradas por todos los lados antes de, finalmente, ajustar la bisagra superior.

10. Inserte el soporte de la bisagra y atorníllelo a la parte superior de la unidad.

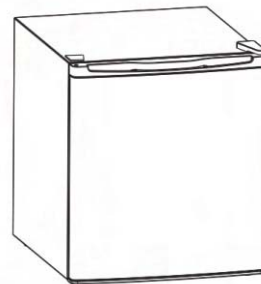
11. Utilice una llave para ajustar, si es necesario.



12. Vuelva a colocar la cubierta de la bisagra y la cubierta del tornillo.



13. Con la puerta cerrada, verifique que la puerta esté alineada horizontalmente y verticalmente y que las juntas estén cerradas por todos los lados antes de, finalmente, ajustar la bisagra inferior. Vuelva a ajustar las patas niveladoras según sea necesario.



CUIDE Y LA CONSERVACIÓN

PARA LIMPIAR SU APARATO

- Una vez finalizada la instalación, se recomienda una limpieza completa de la unidad.
- Dé vuelta apagado al aparato primero y después desenchufe la unidad del enchufe de pared.
- Quite todo el contenido.
- Limpie el interior con un paño humedecido en una solución de agua tibia y bicarbonato de soda. La solución se prepara con aproximadamente 2 cucharadas de bicarbonato de soda y un cuarto de agua.
- Recuerde mantener limpia la junta de la puerta (burlete) para que la unidad funcione correctamente.
- La parte exterior del aparato se debe limpiar con una solución de agua tibia y detergente suave.
- Seque el interior y exterior con paño suave.

EN LAS VACACIONES

- Dé vuelta apagado al refrigerador primero y después desenchufe la unidad del enchufe de pared.
- Quite todo el contenido del alimento.
- Limpie el refrigerador.
- Deje la puerta apenas abierta para evitar la posible formación de condensación, moho u olores.
- Extreme los cuidados cuando haya niños. La unidad no debe ubicarse donde los niños puedan jugar con ella.
- **Vacaciones cortas:** Deje el Refrigerador en funcionamiento durante los períodos de vacaciones que no superen las tres semanas.
- **Vacaciones largas:** Si el electrodoméstico no se usa durante varios meses, retire todos los alimentos y desconecte de la red de electricidad. Limpie y seque cuidadosamente el interior. Para evitar la formación de olores y humedad, deje la puerta apenas abierta: si es necesario, trábela para que se mantenga abierta o retire la puerta.

PARA CAMBIAR DE LUGAR SU APARATO

- Dé vuelta apagado al refrigerador primero y después desenchufe la unidad del enchufe de pared.
- Quite todo el contenido del alimento.
- Asegure con cinta adhesiva los elementos sueltos en el interior del Refrigerador.
- Asegure la puerta con cinta adhesiva.
- Verifique que el Refrigerador se mantenga en posición vertical durante el traslado.

RECOMENDACIONES PARA AHORRAR ENERGÍA

- El Refrigerador se debe ubicar en el lugar más fresco de la habitación, alejado de las fuentes de calor y de caños de calefacción, y protegido de la luz del sol directa.
- Deje que los alimentos calientes se enfríen hasta llegar a la temperatura ambiente antes de colocarlos en el Refrigerador. Si se coloca una cantidad excesiva de alimentos en el Refrigerador, se fuerza el compresor a trabajar durante más tiempo. Los alimentos que tardan mucho en congelarse pueden perder calidad o echarse a perder.
- Asegúrese de envolver los alimentos adecuadamente y seque los envases antes de ubicarlos en el Refrigerador. Esto ayuda a reducir la formación de escarcha en el interior.
- Organice y etiquete los alimentos para reducir la cantidad de veces que abre la puerta y las demoras de la búsqueda. Retire todos los elementos que necesita de una sola vez y cierre la puerta lo antes posible.

GUÍA DE RESOLUCIÓN DE PROBLEMAS

Usted puede resolver muchos de los inconvenientes comunes que se producen con el aparato y ahorrarse el costo de llamar al servicio de mantenimiento. Intente las sugerencias a continuación para ver si puede resolver los problemas antes de llamar al service.

PROBLEMA	CAUSA POSIBLE
El Refrigerador no funciona.	No está enchufado. Se activó el corta corriente o se quemó un fusible.
El compresor se prende y se apaga con frecuencia.	La temperatura ambiente es más elevada que lo normal. Se ha colocado gran cantidad de alimentos en el Refrigerador. La puerta se abre con mucha frecuencia. La puerta no está completamente cerrada. La temperatura fijada en el control no es la correcta. La junta de la puerta no ajusta lo necesario. El Refrigerador no está lo suficientemente alejado de las paredes que lo rodean. El Refrigerador estuvo últimamente desconectado durante un período de tiempo. Se requieren 4 horas para que el Refrigerador se enfríe completamente.
La temperatura del interior del Refrigerador es muy elevada.	El control de temperatura está fijado a una temperatura muy elevada. Fije el control a una temperatura más baja y deje que la temperatura se estabilice durante varias horas. La puerta estuvo mucho tiempo abierta o se abrió con mucha frecuencia. Cada vez que se abre el Refrigerador entra aire caliente. Abra la puerta con menos frecuencia. La puerta no está completamente cerrada. La junta de la puerta no ajusta lo suficiente. Es posible que recientemente se haya guardado una gran cantidad de alimentos tibios o calientes. Espere hasta que el Refrigerador haya tenido la oportunidad de alcanzar la temperatura fijada. El Refrigerador estuvo últimamente desconectado durante un período de tiempo. Se requieren 4 horas para que el Refrigerador se enfríe completamente.
La temperatura del interior del Refrigerador es muy baja.	El control de temperatura está fijado a una temperatura muy baja. Fije el control a una temperatura más elevada y deje que la temperatura se estabilice durante varias horas.
La temperatura del exterior del Refrigerador es elevada.	Las paredes externas pueden llegar a tener una temperatura 30°F por encima de la temperatura ambiente. Esta situación es normal mientras el compresor trabaja para sacar el calor del interior del gabinete.
Ruidos de explosiones o rajaduras cuando el compresor empieza a funcionar.	Las partes metálicas se expanden y contraen como ocurre en las cañerías de agua caliente. Es normal. Los ruidos se normalizarán o

	desaparecerán a medida que el Refrigerador siga funcionando.
Ruidos burbujeantes parecidos al del agua hirviendo.	El refrigerante (utilizado para enfriar el Refrigerador) está circulando por el sistema. Es normal.
Vibraciones.	Verifique que el Refrigerador esté sobre una superficie nivelada. El piso está desparejo o no es fuerte. El Refrigerador se balancea sobre el piso apenas se lo toca. Verifique que el piso soporta adecuadamente el Refrigerador. Nivele el electrodoméstico poniendo cuñas de metal o madera debajo del Refrigerador El Refrigerador está tocando la pared. Vuelva a nivelar y retirar de la pared. Lea las "Instrucciones de instalación".
Se forma humedad en las paredes interiores del Refrigerador	El tiempo está caluroso y húmedo, lo que ocasiona la mayor acumulación de escarcha en el interior. Es normal. La puerta está apenas abierta. La puerta está mucho tiempo abierta o se abre con mucha frecuencia. Abra la puerta con menos frecuencia. La junta de la puerta no ajusta lo necesario.
Se forma humedad en las paredes externas del Refrigerador	La puerta está apenas abierta y el aire frío del interior se combina con el aire tibio del exterior.
La puerta no cierra convenientemente.	El Refrigerador no está en una superficie nivelada. La junta está sucia.



Garantía limitada

MC Appliance Corporation garantiza que todas las Refrigerador compacto carecen de defectos en el material y la mano de obra y acuerda solucionar cualquiera de estos defectos o instalar la(s) parte(s) nueva(s) (a elección de la compañía) en caso de que la unidad haya fallado durante el periodo de garantía. Las partes y gastos de reparación están cubiertos en esta unidad por un periodo de un año a partir de la fecha de compra. Es necesario presentar una copia del recibo o factura de compra con fecha para obtener los servicios de la garantía, el reemplazo o el reembolso.

Además MC Appliance corporation autoriza el compresor (piezas solamente) para estar libre de defectos en material y la ejecución por un período de cinco años. El consumidor es responsable de todo el trabajo y los costos del transporte relacionados con la diagnosis y el reemplazo del compresor después de las uno garantías inicial del año expiran. Si en el acontecimiento la unidad requiere el reemplazo o el reembolso bajo términos de esta garantía el consumidor es responsable de todos los costos del transporte volver la unidad a nuestra fábrica antes de recibir una unidad o un reembolso del reemplazo.

Esta garantía cubre los aparatos que se usen dentro de los Estados Unidos contiguos, Alaska, Hawái y Puerto Rico. La garantía no cubre lo siguiente:

- Daños debido al daño del envío o a la instalación incorrecta.
- Daños debido al mal uso o abuso.
- Pérdidas de contenido debido a falla de la unidad.
- Componentes internos como paneles de puertas, estantes en la puerta, estantes, bombillas, etc.
- Las reparaciones se realizaron por los agentes desautorizados del servicio.
- Llamadas de servicio que no implican defectos en material y la ejecución tal como instrucción en el uso apropiado del producto o de la instalación incorrecta.
- Reemplazo o reajuste de los fusibles o de los interruptores de la casa.
- Falla de este producto si se usa con fines distintos a los que fue diseñado.
- Costes de la disposición de unidades falladas no vueltas a nuestra fábrica.
- Todos los gastos de entrega/instalación incurridos como resultado de una unidad que no cumple con lo especificado.
- Gastos de viajes y el transporte de los productos principales de servicio si su aparato está situado en una zona remota donde el servicio por un técnico de servicio no está disponible.
- La remoción y reinstalación de su gran aparato, si está instalado en un lugar inaccesible o no está instalado de conformidad con las instrucciones de instalación publicadas.
- Restituciones por productos no reparables se limita al precio pagado por la unidad por el recibo de compra.
- Esta garantía es intrasferible. Esta garantía es válida exclusivamente para el comprador original y no se extiende a ningún otro propietario o propietarios subsiguientes.

Limitaciones de remedios y exclusiones:

La reparación del producto de acuerdo con los términos de este documento, es el único y exclusivo remedio determinado en esta garantía limitada. Todas y cada una de las garantías implicadas, incluyendo la calidad de comerciable y capacidad para un propósito particular, se limitan mediante la presente a un año o el periodo más corto permitido por la ley. MC Appliance Corporation no es responsable por daños incidentales ni resultantes y ningún representante o persona alguna están autorizados para asumir de parte nuestra ninguna otra responsabilidad en relación con la venta de este producto. Bajo ninguna circunstancia se le permite al consumidor regresar esta unidad a la fábrica sin consentimiento previo por escrito de MC Appliance Corporation.

Algunos estados prohíben la exclusión o limitación por daños incidentales o resultantes, o limitaciones en las garantías implícitas. Esta garantía le otorga a usted derechos legales específicos, y usted puede también tener otros derechos que varían según la entidad federal/iva donde se encuentre.

Modelo	Piezas & Trabajo	Compresor (Parte solamente)	Tipo de servicio
MCBR440W2	Uno año	Cinco años	Lleve adentro
MCBR440B2	Uno año	Cinco años	Lleve adentro
MCBR440S2	Uno año	Cinco años	Lleve adentro

Para servicio o asistencia, llame por favor al **888-775-0202**. O visítenos en **www.mcpliance.com** para solicitar el servicio de garantía o repuestos.



**CNA International, Inc. realiza negocios bajo el nombre de MC Appliance Corporation.
Derechos reservados.**

El logotipo Magic Chef® es una marca registrada de CNA International, Inc.

www.mcappliance.com

Impreso en China