

This Owner's Manual is provided and hosted by [Appliance Factory Parts](#).



MAGIC CHEF MCSDRY15W Owner's Manual

[Shop genuine replacement parts for MAGIC CHEF
MCSDRY15W](#)



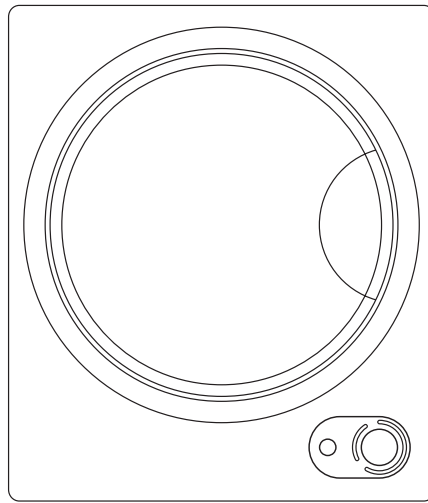
[Find Your MAGIC CHEF Washer Parts - Select From 29 Models](#)

----- Manual continues below -----



1.5 Cu. Ft. Compact dryer

User's Manual



Model MCSDRY15W

**PLEASE READ THIS MANUAL CAREFULLY BEFORE USING YOUR DRYER
AND KEEP IT FOR FUTURE REFERENCE.**



PRODUCT REGISTRATION

Thank you for purchasing this Magic Chef® product. The first step to protect your new product is to complete the product registration on our website: www.mcappliance.com/register. The benefits of registering your product include the following:

1. Registering your product will allow us to contact you regarding a safety notification or product update.
2. Registering your product will allow for more efficient warranty service processing when warranty service is required.
3. Registering your product could act as your proof of purchase in the event of insurance loss.

Once again, thank you for purchasing this Magic Chef product.

CONTENTS

PRODUCT REGISTRATION	2
PRECAUTIONS	4
IMPORTANT SAFETY INSTRUCTIONS	5
SPECIFICATIONS	7
PARTS AND FEATURES	8
INSTALLATION INSTRUCTIONS	9
OPERATION INSTRUCTIONS	12
CARE AND MAINTENANCE	15
TROUBLESHOOTING	17
LIMITED WARRANTY	18

PRECAUTIONS

EXPLANATION OF SYMBOLS

▲ WARNING

Hazards or unsafe practices which COULD result in severe personal injury or death.

▲ CAUTION

Hazards or unsafe practices which COULD result in minor personal injury.

▲ WARNING: Read and understand all safety precautions. Failure to follow all instructions described in this user manual may result in electric shock, fire and/or serious personal injury. The warnings, cautions and instructions discussed in this user manual cannot cover all possible conditions and situations that may occur.

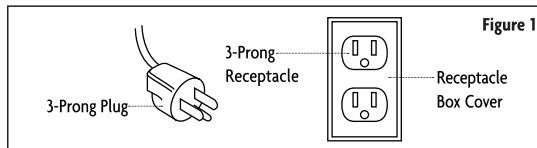
READ THIS GUIDE CAREFULLY

The user guide is intended to help you operate and maintain your new appliance properly. Keep it handy to answer your questions. If you do not understand certain aspects or you need additional help, call Magic Chef® Customer Service: 1-888-775-0202. Keep proof of the original purchase date (i.e. sales receipt) with this guide to establish the warranty period.

GROUNDING INSTRUCTIONS

This appliance must be grounded. In the event of an electrical short circuit, the grounding plug reduces the risk of electric shock by providing an escape wire for electric current. This appliance is equipped with a power cord that has a grounding wire with a grounding plug. The plug must be plugged into an electrical outlet that is properly installed and grounded.

This appliance requires a standard 120 Volt, 60 Hz electrical outlet with a 3-prong ground receptacle. To prevent accidental injury, the cord should be secured behind the appliance and not left exposed or dangling.



▲ WARNING: Improper use of the grounding plug and/or outlet can result in a risk of electric shock. Consult a qualified electrician or serviceman if the grounding instructions are not completely understood, if doubt exists as to whether the appliance is properly grounded, or either:

- If it is necessary to use an extension cord, use only a 3-wire extension cord that has a 3-blade grounding plug, and a 3-slot receptacle that will accept the plug on the appliance. The marked rating of the extension cord shall be equal to or greater than the electrical rating of the appliance.
- If the power supply cord is too short, have a qualified electrician or serviceman install an outlet near the appliance.

▲ WARNING: DO NOT cut or remove the third (ground) prong from the power cord under any circumstances.

IMPORTANT SAFETY INSTRUCTIONS

▲ WARNING: To reduce the risk of fire, electric shock, and/or injury to persons, basic safety precautions should ALWAYS be followed when using electrical appliances.

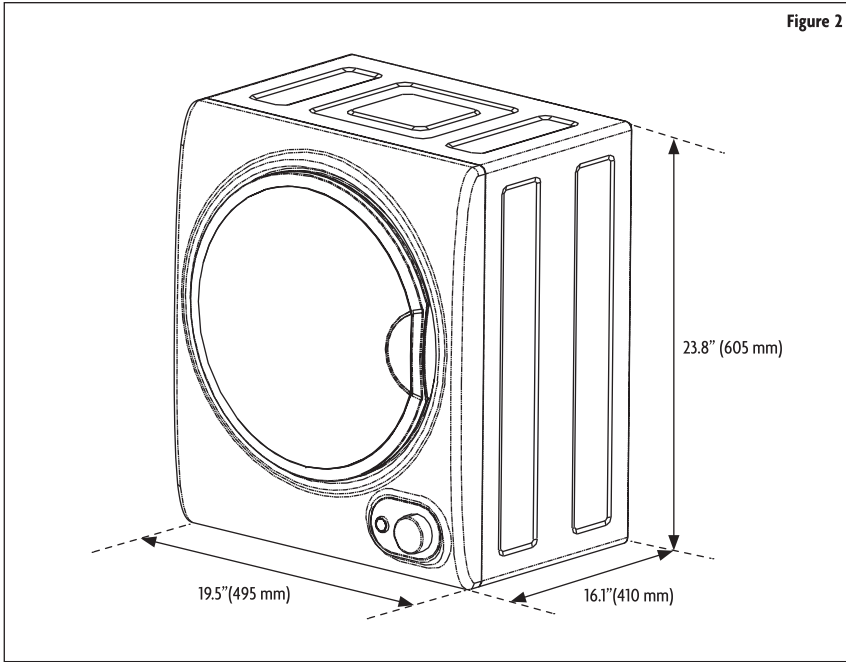
When using electrical appliances, basic safety precautions should be followed, including the following:

1. Read all instructions before using the appliance.
2. Risk of child entrapment and suffocation; NEVER allow children to operate, play with, or crawl inside the appliance.
3. This appliance must be grounded. Connect only to a properly grounded outlet. See the "GROUNDING INSTRUCTIONS" section found on page 4.
4. Install or locate the appliance only in accordance with the provided installation instructions.
5. DO NOT place the dryer in steamy rooms or where the dryer is directly exposed to rain. Moisture may destroy the electrical insulation causing an electrical shock hazard.
6. Use the dryer only for its intended use as described in the user guide. This type of dryer is specifically designed to dry clothes. It is not designed for industrial or laboratory use.
7. As with any appliance, close supervision is necessary when used around children or incapacitated persons.
8. DO NOT operate the dryer if it has a damaged power cord or plug, if it is not working properly, or if it has been damaged or dropped in any manner.
9. The dryer should be serviced only by qualified service personnel. Contact the nearest authorized service facility for examination, repair, or adjustment.
10. DO NOT cover or block any openings on the appliance.
11. DO NOT put your hand in the spin basket during operation. The spin basket is rotating at a high speed and the rotating parts may cause injury to your hand.
12. DO NOT immerse the power cord or plug in water.
13. Keep the cord away from all heated surfaces.
14. DO NOT store or use gasoline or any other flammable vapors and liquids in the vicinity of this or any other appliance. The fumes can create a fire hazard or explosion.
15. When cleaning the surfaces of the door and the frame, use only mild, nonabrasive soaps or detergents applied with a sponge or soft cloth. NEVER clean appliance parts with flammable fluids. The fumes can create a fire hazard or explosion.
16. This dryer is for indoor use only. DO NOT use outdoors.
17. DO NOT place the appliance or cord near heat sources such as radiators, heaters, air ducts, or direct sunlight.
18. DO NOT run the cord under floor coverings. Arrange the cord away from high traffic areas so it will not be a trip hazard.
19. To disconnect the appliance, turn the appliance off, switch off the power outlet and remove the plug from the power outlet.
20. After turning off the power supply to the dryer, wait at least 2 minutes before turning it on again.
21. DO NOT carry the appliance by the cord or pull to disconnect it from the outlet. To disconnect, grasp the plug and pull.

22. DO NOT excessively bend, stretch, twist, or bind the power cord or place heavy objects on it.
23. It is not recommended to use an extension cord with this product.
24. DO NOT install in a tight fitting cabinet.
25. DO NOT overload the dryer.
26. The door window may be hot after a long drying cycle. Ensure children are kept away from the machine.
27. If the dryer is not wall mounted, place in a flat, firm, dry place. DO NOT place it on any soft material such as foam or plastic.
28. DO NOT use flammable or combustible materials such as gas, petrol, alcohol or lacquer in the dryer.
29. DO NOT use if the power supply cord is damaged.
30. Items with oil on them can ignite spontaneously, especially when exposed to heat sources such as this dryer. Piling, stacking, or storing oil-affected items can prevent heat from escaping and create a fire hazard.
31. If it is unavoidable that fabrics with vegetable oil, cooking oil, acetone, alcohol, petrol, kerosene, spot removers, turpentine, wax removers or hair care products be placed in the dryer, they should first be washed in hot water with extra detergent. This will reduce, but not eliminate the fire hazard.
32. If the dryer is stopped before the end of the drying cycle, the items inside will be hot.

**SAVE THESE INSTRUCTIONS
FOR FUTURE REFERENCE**

SPECIFICATIONS



Height	23.8" (605 mm)
Width	19.5" (495mm)
Depth	16.1" (410 mm)
Weight	37.5 lbs. (17.0 kg)
Power Supply	120 V/60 Hz
Capacity	1.5 Cu. Ft.
Rated Power	850 W

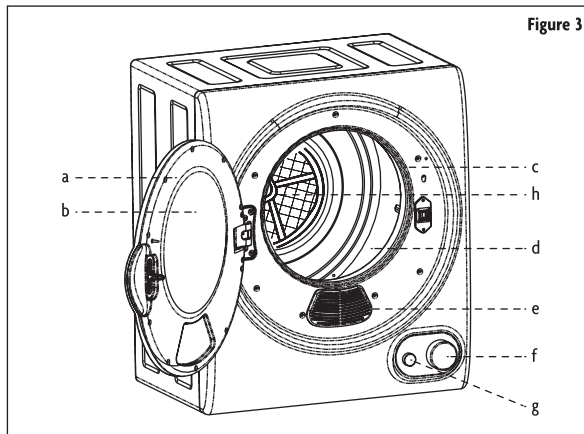
* Due to continuing product development, specifications and design may be subject to change without prior notice.

PARTS AND FEATURES

FRONT

The appearance of your model may slightly differ from the illustrations in this manual.

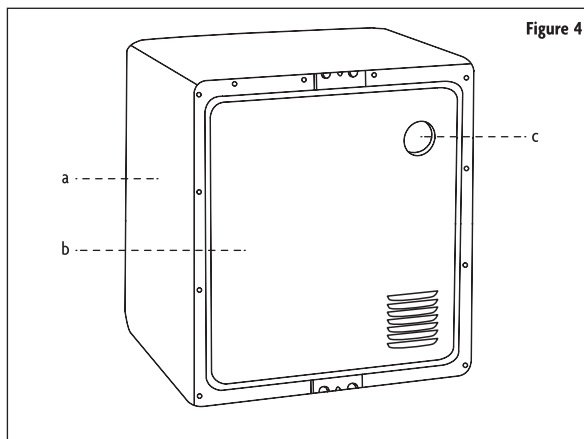
- a. Door
- b. Window
- c. Door Gasket
- d. Drum
- e. Air Intake Shroud
- f. Timer
- g. Heat Level
- h. Lint Filter



BACK

The appearance of your model may slightly differ from the illustrations in this manual.

- a. Dryer Housing
- b. Back Cover
- c. Exhaust Vent



INSTALLATION INSTRUCTIONS

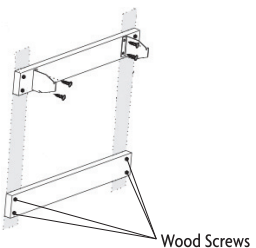
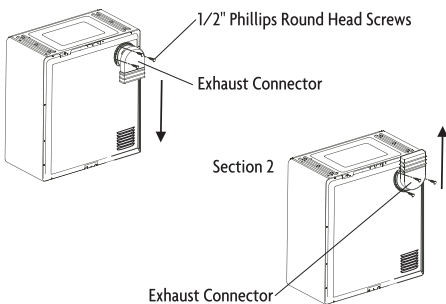
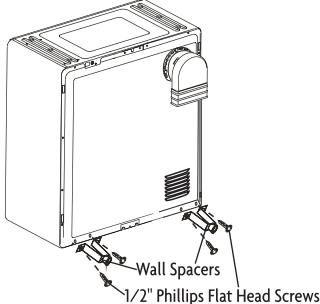
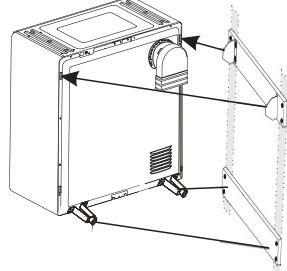
LOCATION

1. Examine the dryer after unpacking. Check for damage such as a misaligned door, broken door or dent in the cavity. If any damage is visible, DO NOT install, and notify your dealer immediately.
2. Check to ensure that you have the wall-mounting kit and four (4) legs.
3. Install the dryer on a flat, level surface. If you are going to wall mount your dryer, use the included wall-mounting kit.
4. Install the dryer away from direct sunlight; direct sunlight may affect the acrylic coating, plastic and electrical components. The room temperature should not fall below 32°F.
5. Check the ventilation. DO NOT block the air vents, especially when the dryer is installed on a carpeted floor. If the air vents are blocked during operation, the dryer may overheat and eventually fail. For proper ventilation, allow at least 5 inches of space between the dryer top, sides, rear, and adjacent surfaces.
6. Install the dryer away from heating appliances and water taps. Keep the dryer away from heat, steam, or splashing liquids. NEVER splash water onto the control panel. These things can adversely affect the wiring and electrical conduction contacts of the dryer.
7. Check the power supply.
 - a) Check your local power source. The dryer requires a current of approximately 12 Amperes, 120 Volts, and a 60 Hz grounded outlet.
 - b) A short power-supply cord is provided to reduce the risks resulting from becoming entangled in or tripping over a longer cord. Ensure that the dryer does not stand on its power cord.
 - c) Use of an extension cord is not recommended. If an extension cord is used:
 - The marked electrical rating of the cord set or extension cord should be at the very least equal to the electrical rating of the appliance.
 - The extension cord must be a grounding type, 3-wire cord.
 - A longer cord should be arranged so that it will not drape over the appliance where it can be pulled on by children or tripped over unintentionally.
 - d) Plug the dryer into a properly installed receptacle box that is fully grounded. DO NOT under any circumstances modify, cut or remove the third (ground) prong from the power cord. Any questions concerning power and/or grounding should be directed toward a certified electrician or an authorized service center.

WALL-MOUNTING INSTRUCTIONS

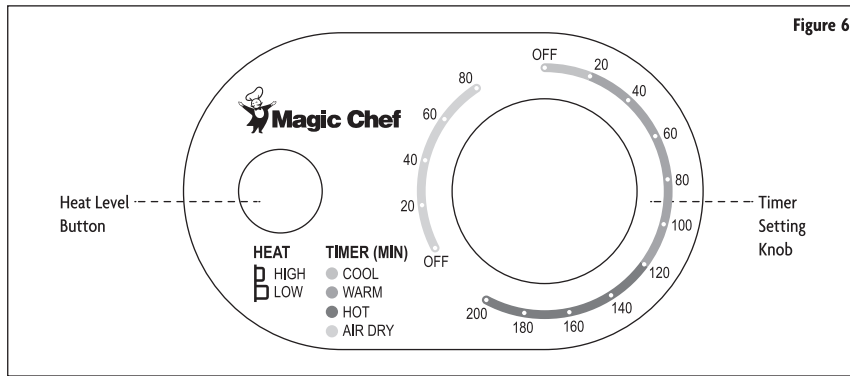
Tools and Parts Required for Plaster and/or Wood Installation (Not Included)		Wall-Mounting Kit (Includes)	
Drill & 3mm Bit	1	Wall-Mounting Hooks	2
Phillips Head Screwdriver	1	1" Phillips Head Screws	4
Expanding Wall Anchor Bolts 2"	8	Plastic Spacers	2
Wooden Slats 18.5" (L) x 3.0" (H) x 1.0" (D)	2	½" Phillips Flat Head Screws	4
Wood Screws (12 mm x 50 mm)	4	Exhaust Connector	1
		½" Phillips Round Head Screws	3

Wall-Mounting Instructions	
*	<p>▲ NOTE: It is recommended to complete the following procedure with at least 2 people.</p> <p>▲ NOTE: As wall materials vary, the supplied hardware for fixing to the wall may be inappropriate for your wall type. Consult your local hardware/home improvement center for suggestions on the necessary hardware for your particular wall type.</p>
1	<p>Determine the position where you will be installing the mounting hooks.</p> <ul style="list-style-type: none"> This dryer is not designed to sit on top of your washing machine. A minimum of 2 inches is required between the top of the dryer and the ceiling above to allow easy installation and adequate spacing for exhaust. <p>If mounting above a top load washing machine, allow sufficient spacing to open the lid of the washer. In the case of a front loading washer, allow sufficient breathing space.</p>
2	<p>Although the supplied mounting hooks can be installed directly to the wall using the existing wooden studs, the preferred method of installation is using wooden slats that provide a flat, level installation surface and added stability to the whole wall installation.</p>
3	<div style="display: flex; align-items: flex-start;"> <div style="flex: 1;"> <p>Use two wooden slats (not included) between the studs to mount the hooks. Recommended wooden slat size is 18.5" (L) x 3.0" (H) x 1.0" (D).</p> <p>When using the wooden slats to install on drywall material, you must use expanding wall anchor bolts to safely secure the slats to the drywall.</p> <p>Use four (4) expanding wall anchor bolts per each wooden slat.</p> </div> <div style="flex: 1; text-align: center;"> <p>Wall</p> <p>Expanding Wall Anchor 2.0" (8)</p> <p>Wooden Slats 18.5" (L) x 3.0" (H) x 1.0" (D)</p> <p>18.5"</p> <p>16.7"</p> </div> </div>
4	<div style="display: flex; align-items: flex-start;"> <div style="flex: 1;"> <p>Install the wall-mounting hooks using the four (4) 1" Phillips Head Screws to the top wooden slat.</p> </div> <div style="flex: 1; text-align: center;"> <p>17.8"</p> <p>1" Phillips Head Screws</p> <p>Wooden Slat</p> <p>Mounting Hooks</p> </div> </div>

<p>5</p> <p>Install the four (4) wood screws to the bottom wooden slat.</p>	 <p>Wood Screws</p>
<p>6</p> <p>Install the exhaust connector as shown in the illustration using the (3) 1/2" Phillips round head screws included.</p> <ul style="list-style-type: none"> • For downward exhaust, refer to Section 1. • For upward exhaust, refer to Section 2. 	 <p>Section 1</p> <p>1/2" Phillips Round Head Screws</p> <p>Exhaust Connector</p> <p>Section 2</p> <p>Exhaust Connector</p>
<p>7</p> <p>Install the lower wall spacers (included) using the (2) 1/2" Phillips flat head screws (included).</p> <p>These spacers are required when installing the unit on the wall to allow the necessary ventilation for efficient operation.</p> <p>Failure to install the spacers will both reduce the ventilation needed to operate your unit as well as put the appliance in a tilted position on the wall which could present a possible unstable wall installation.</p>	 <p>Wall Spacers</p> <p>1/2" Phillips Flat Head Screws</p>
<p>8</p> <p>Mount the dryer to the wall hanging assembly.</p> <p>With the assistance of a 2nd person, lift the dryer and align the mounting holes at the rear of the dryer with the mounting hooks.</p> <p>Tilting the dryer to a 45° angle, insert the hanging brackets into the mounting holes on the dryer as shown in the figure to the right.</p> <p>Once the dryer mounts are in place, slowly lower the dryer in place and check all installation points for stress or weakened contact.</p>	

OPERATION INSTRUCTIONS

CONTROL PANEL



HEAT LEVEL

- **HIGH:** Push the 'HEAT' button down to operate the dryer on high heat. Use this setting for items that are bulky or for large quantities.
- **LOW:** Push the 'HEAT' button up to operate the dryer on low heat. Use this setting for delicate items such as silk, nylon, linen, etc.

TIMER SETTING

- **OFF:** When the timer is in the "OFF" position, power is not supplied to the unit. Turning the dial clockwise to the desired program will start the dryer.
- **COOL:** This setting is generally used to cool items that have just been dried to help prevent creasing. It will generate cool air, instead of the motor pushing heat into the drum of the dryer.
- **WARM:**
 - **ANTI-WRINKLE:** For laundry loads that are difficult to iron (e.g. cotton shirts and linen), push the 'HEAT' button up to operate the dryer on low heat and set the timer between 30-60 minutes, depending on the load size. Once the cycle stops, the items will still contain moisture, thereby making the ironing process easier.
 - **WARM DRYING:** This setting is used to dry and cool, and depending on the material, leave items wrinkle free. Push the 'HEAT' button down to operate the dryer on high heat and set the timer by turning the dial clockwise between 60-120 minutes.
- **HOT:** This setting is used for drying large quantities or bulky items (i.e. the dryer drum is more than 1/2 full). Set the timer by turning the dial clockwise to 120+ minutes.
- **AIR DRY:** This setting is used without any heat to freshen items by letting cool air move through it (e.g. clothes that have been stored for an extended period of time).

DRYING TIME REFERENCE

For best results, it is recommended not to exceed the drying capacity of 5.5 lbs. of dry textile material. Drying times can be affected by many factors, such as material, bulkiness, how full the dryer is, etc. The table below is only a guide.

▲ NOTE: Load weights and respective drying times are approximate.

Drying Capacity	1 Lbs.	2 Lbs.	3 Lbs.	5.5 Lbs.
Approximate Drying Times	30 Minutes	60 Minutes	120 Minutes	200 Minutes

SORTING AND LOADING LAUNDRY

For the best results, your laundry should be sorted properly. Separate the lint shedders (e.g. chenille and terry cloth) from the lint collectors (e.g. synthetics, flannels, velvets, and corduroys). Separate non-colorfast from light colored items, heavy fabrics from lightweight fabrics, and permanent press from heavy, bulky items.

▲ NOTE: Delicate clothes, especially those with ribbon or lace, should be placed in a nylon mesh bag before drying to prevent tangling.

▲ NOTE: Before drying, check all pockets. If nails, coins, or pins remain in pockets, the objects may damage the dryer and/or clothes. Place your laundry into the dryer evenly. Uneven laundry may cause noise or vibrations.

▲ NOTE: Clothes with zippers, buckles, buttons, or fasteners should be closed or turned inside out to reduce the impact of noise between the metal and the dryer's drum.

▲ NOTE: DO NOT TUMBLE DRY. Read all permanent care labels carefully. If the care label on the garment reads "Drip Dry", "Line Dry", or "Dry Flat", DO NOT dry the garments in the dryer. In addition, certain materials will melt or become dangerously flammable if heated, while other garments may lose their shape. Other items that should not be tumble dried are the following:

- Garments that have been dry cleaned at home.
- Garments made from wool, unless the garment manufacturer recommends it.
- Garments with fiberglass materials.
- Garments with laminated and/or rubber coated materials.
- Garments with vinyl or plastic materials.

▲ NOTE: DO NOT use fabric softeners or related products that help eliminate static, unless recommended by the manufacturer of the fabric softener or related products.













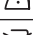





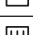





FABRIC CARE

- For optimum results, load the dryer with clothes of similar fabric, weight and construction.
- Check for stains that may not have been removed in washing. The dryer heat may permanently set some stains.
- Separate dark and light colored items, like you do when washing laundry.
- DRYING TIME: The drying time depends on many factors, such as the type of fabric. In addition, the drying duration is dependent on how dry you want the laundry to be when taken out of the dryer.
- DRYER ADDED FABRIC SOFTENERS: Certain dryer added fabric softeners may cause damage to automatic dryers. Therefore, only use fabric softeners with written assurance from the manufacturer that their softeners can safely be used in your dryer.
- SINGLE ITEMS: Use the timed drying mode when there is only one item to be dried.
- OVERDRYING GARMENTS: Do not overdry the garments. This can cause the fabrics to wrinkle, shrink, or feel harsh. Synthetic materials can also become charged with static electricity. Periodically check on the garments if you are unsure of the drying time.

▲ **NOTE:** Refer to the Fabric Care Chart on page 14 for commonly used fabric care symbols.

▲ **NOTE:** ALWAYS remove the laundry load from the dryer as soon as possible.

FABRIC CARE CHART

Fabric Care Symbol	Definition
	Resistant material
	Delicate fabric
	May be washed at 200°F/95°C
	May be washed at 140°F/60°C
	May be washed at 105°F/40°C
	May be washed at 85°F/30°C
	Item may be hand washed
	Dry clean only
	Can be bleached in cold water
	DO NOT bleach
	Can be ironed at 392°F/200°C max
	Can be ironed at 302°F/150°C max
	Can be ironed at 212°F/100°C max
	DO NOT iron
	Dry clean with any solvent
	Dry clean with perchloride, lighter fuel, pure alcohol or R113 only
	Dry clean with aviation fuel, pure alcohol or R113 only
	DO NOT dry clean
	Dry flat
	Can be hung to dry
	Dry on clothes hanger
	Tumble dry, normal heat
	Tumble dry, reduced heat
	DO NOT tumble dry

CARE AND MAINTENANCE

UNIT

The dryer should be cleaned regularly, including the control panel, with a soft cloth and nonabrasive household detergents. The use of harsh detergent or abrasives is not recommended.


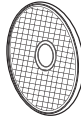
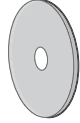
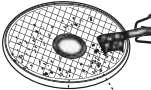
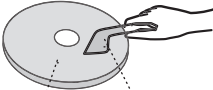

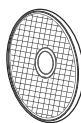
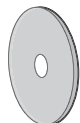
DO NOT pour water on the dryer or control panel. Use a soft cloth to dry the surfaces. Failure to maintain the dryer in a clean condition could lead to deterioration of the surface which could adversely affect the life of the appliance and possibly result in a hazardous situation.

▲ NOTE: Unplug the power cord before cleaning any part of the dryer.

LINT FILTER ASSEMBLY

The dryer should be cleaned regularly, including the lint filter assembly. Refer to the Lint Filter Assembly chart when cleaning the filter assembly.

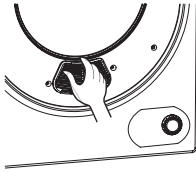


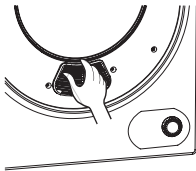
▲ NOTE: Unplug the power cord before cleaning any part of the dryer.

Lint Filter Assembly	
1	<p>Remove the lint filter by pulling outward using the four (4) grip holes in the filter assembly.</p> <p>▲ NOTE: The lint filter assembly must be installed when operating the dryer. The lint filter assembly must be cleaned before and after each use.</p>
2	<p>The lint filter assembly consists of three (3) parts: exhaust vent shroud, lint filter, and exhaust filter.</p> <p>Disassemble the lint filter in the following order: exhaust vent shroud - lint filter - exhaust filter.</p> <div style="display: flex; justify-content: space-around; align-items: center;"> <div style="text-align: center;">  <p>Exhaust Vent Shroud</p> </div> <div style="text-align: center;">  <p>Lint Filter</p> </div> <div style="text-align: center;">  <p>Exhaust Filter</p> </div> </div>
3	<p>Separate the three (3) parts of the assembly and clean the individual pieces using a soft brush or a vacuum cleaner. DO NOT damage the filter assembly.</p> <div style="display: flex; justify-content: space-around; align-items: center;"> <div style="text-align: center;">  <p>Lint Filter Lint</p> </div> <div style="text-align: center;">  <p>Exhaust Filter Dust Cleaner</p> </div> </div>
4	<p>Reassemble the filter assembly in the following order: exhaust filter - lint filter - exhaust vent shroud. Align the entire assembly with the recessed position in the back of the drum and press firmly until the entire filter assembly is secured.</p> <div style="display: flex; justify-content: space-around; align-items: center;"> <div style="text-align: center;">  <p>Exhaust Vent Shroud</p> </div> <div style="text-align: center;">  <p>Lint Filter</p> </div> <div style="text-align: center;">  <p>Exhaust Filter</p> </div> </div>

AIR INTAKE FILTER

The dryer should be cleaned regularly, including the air intake filter. Refer to the Air Intake Filter chart when cleaning the filter.

▲ NOTE: Unplug the power cord before cleaning any part of the dryer.

Air Intake Filter Assembly		
1	<p>Remove by pulling outwards, holding the upper and lower ends of the air intake shroud.</p> <p>▲ NOTE: The air intake filter assembly must be installed when operating the dryer. The air intake filter assembly must be cleaned before and after each use.</p>	
2	<p>The air intake filter consists of two (2) parts: air intake shroud and air intake filter.</p>	 <p>Air Intake Shroud Air Intake Filter</p>
3	<p>Remove the air intake shroud and take the air intake filter out. Clean the filter using a soft brush or a vacuum cleaner.</p>	 <p>Air Intake Filter</p>
4	<p>Reassemble the air intake filter inside the air intake shroud, then reinstall the air intake shroud by pushing the housing upwards with your thumb until the latch is secured to the dryer.</p>	

TROUBLESHOOTING

Before you call for service, refer to following checklist for common problems:

Problem	Possible Causes
The 'TIMER' dial will not rotate	The dryer is not plugged in. The circuit breaker tripped or a fuse blew. Check for a blown circuit fuse or tripped main circuit breaker in your house. The door is not closed.
The dryer does not operate	The dryer is not plugged in. The circuit breaker tripped or a fuse blew. Check for a blown circuit fuse or tripped main circuit breaker in your house. The door is not closed.
The dryer drum does not rotate	The dryer is not plugged in. The circuit breaker tripped or a fuse blew. Check for a blown circuit fuse or tripped main circuit breaker in your house. The door is not closed.
The laundry is not completely dry	Verify the correct drying settings were used for 'TIMER' and 'HEAT'. Clean the filter. Reduce the laundry load in the dryer. DO NOT overload the dryer. Dry these items further in the timed drying mode for 10+ minutes. Ensure the items are not knotted or bulked together. The dryer is not located in a properly ventilated area. Ensure your washer's spin cycle is extracting water properly.

▲ NOTE: If the problem persists, contact Magic Chef® Customer Service: 1-888-775-0202 for assistance.



LIMITED WARRANTY

MC Appliance Corporation warrants each new Compact Dryer to be free from defects in material and workmanship, and agrees to remedy any such defect or to furnish a new part(s), at the company's option, for any part(s) of the unit that has failed during the warranty period. Parts and labor expenses are covered on this unit for a period of one year from the date of purchase. A copy of the dated sales receipt/invoice is required to receive warranty service, replacement or refund.

This warranty covers appliances in use within the contiguous United States, Alaska, Hawaii and Puerto Rico. This warranty does not cover the following:

- Damages due to shipping damage or improper installation.
- Damages due to misuse or abuse.
- Content losses due to failure of the unit.
- Repairs performed by unauthorized service agents.
- Service calls that do not involve defects in material and workmanship such as instructions on proper use of the product or improper installation.
- Replacement or resetting of house fuses or circuit breakers.
- Failure of this product if used for other purposes than its intended purpose.
- Disposal costs for any failed unit not returned to our factory.
- Any delivery/installation costs incurred as the result of a unit that fails to perform as specified.
- Expenses for travel and transportation for product service if your appliance is located in a remote area where service by an authorized service technician is not available.
- The removal and reinstallation of your appliance if it is installed in an inaccessible location or is not installed in accordance with published installation instructions.
- Refunds for non repairable products are limited to the price paid for the unit per the sales receipt.
- This warranty is non transferable. This warranty applies only to the original purchaser and does not extend to any subsequent owner(s).

Limitations of Remedies and Exclusions:

Product repair in accordance with the terms herein, is your sole and exclusive remedy under this limited warranty. Any and all implied warranties including merchantability and fitness for a particular purpose are hereby limited to one year or the shortest period allowed by law. MC Appliance Corporation is not liable for incidental or consequential damages and no representative or person is authorized to assume for us any other liability in connection with the sale of this product. Under no circumstances is the consumer permitted to return this unit to the factory without the prior written consent of MC Appliance Corporation.

Some states prohibit the exclusion or limitation of incidental or consequential damages, or limitations on implied warranties. This warranty gives you specific legal rights, and you may also have other rights which vary from state to state.

Model	Parts	Labor	Type of Service
MCSDRY15W	One Year	One Year	Carry In

For Service or Assistance please call 888-775-0202 or visit us on the web at www.mcappliance.com to request warranty service or order parts.



**CNA International, Inc. d/b/a MC Appliance Corporation. All rights reserved.
Magic Chef® logo is a registered trademark of CNA International, Inc.**

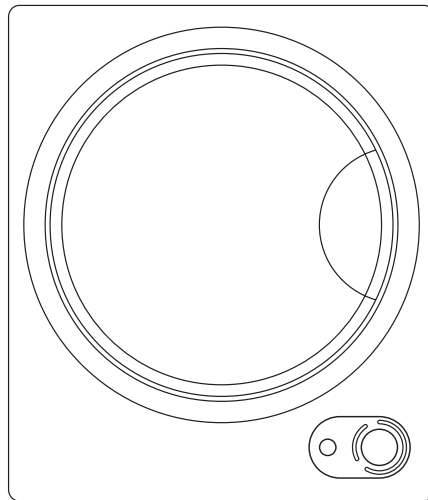
www.mcappliance.com

Printed in China



Secadora compacta de 1.5 pies cúbicos

Manual del usuario



Modelo MCSDRY15W

**LEA ESTE MANUAL ANTES DE UTILIZAR SU SECADORA Y GUÁRDELO
PARA FUTURA REFERENCIA.**



REGISTRACIÓN DEL PRODUCTO

Gracias por comprar el producto Magic Chef®. El primer paso para proteger su nuevo producto es completar la forma de registración en nuestra pagina web: www.mcappliance.com/register. Los beneficios de registrar su producto incluyen lo siguiente:

1. Al registrar su producto nos permite contactarle para notificarle de un cambio de seguridad o actualización del producto.
2. Si llegara a necesitar servicio bajo garantía, registrando su producto nos permite ser más eficiente en procesar el servicio.
3. En el evento que usted tenga una perdida que esta cubierto por un seguro, registrando su producto puede servir como prueba de su compra.

Una vez más gracias por comprar un producto marca Magic Chef.

ÍNDICE

REGISTRO DEL PRODUCTO	22
PRECAUCIONES	24
INSTRUCCIONES DE SEGURIDAD IMPORTANTES	25
ESPECIFICACIONES	27
PARTES Y FUNCIONES	28
INSTRUCCIONES DE INSTALACIÓN	29
INSTRUCCIONES DE FUNCIONAMIENTO	32
CUIDADO Y MANTENIMIENTO	35
SOLUCIÓN DE PROBLEMAS	37
GARANTÍA LIMITADA	38

PRECAUCIONES

EXPLICACIÓN DE LOS SÍMBOLOS

▲ ADVERTENCIA

Peligros o prácticas inseguras que PODRÍAN provocar lesiones personales graves o la muerte.

▲ PRECAUCIÓN

Peligros o prácticas inseguras que PODRÍAN provocar lesiones personales leves.

▲ **ADVERTENCIA:** Lea y comprenda todas las precauciones de seguridad. La inobservancia de todas las instrucciones descritas en este manual del usuario podría resultar en descarga eléctrica, incendio y/o lesiones personales graves. Las advertencias, precauciones e instrucciones planteadas en este manual del usuario no cubren todas las eventuales condiciones y situaciones que podrían suscitarse.

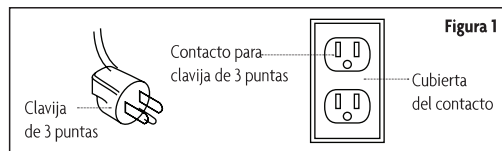
LEA ESTE MANUAL ATENTAMENTE

El manual para el usuario ha sido diseñado para ayudarlo a operar y realizar el mantenimiento de su nuevo electrodoméstico de manera correcta. Téngalo a mano a fin de responder preguntas. Si no comprende determinados aspectos o necesita ayuda adicional, comuníquese con el Servicio al cliente de Magic Chef®: 1-888-775-0202. Conserve la prueba de la fecha de compra original (p. ej., recibo de compra) con este manual, a fin de determinar el periodo de garantía.

INSTRUCCIONES DE CONEXION A TIERRA

Este equipo debe de estar conectado a tierra; ya que en caso de un corto circuito, el cable a tierra reduce el riesgo de sufrir una descarga eléctrica al proporcionar una trayectoria de escape a la corriente eléctrica. Por lo tanto este aparato está equipado con una clavija polarizada que contiene una terminal para la conexión a tierra, la cual debe de conectarse a un contacto que esté propiamente instalado y conectado a tierra.

Este electrodoméstico requiere una salida eléctrica estándar de 120 voltios y 60 Hz con un receptáculo a tierra de 3 clavijas. Para evitar lesiones accidentales, el cable debe sujetarse detrás del electrodoméstico y no debe quedar expuesto ni colgando a fin de.



▲ **ADVERTENCIA:** El uso indebido del enchufe y/o la salida de puesta a tierra puede causar riesgo de descarga eléctrica. Consulte a un electricista o técnico calificado si no comprende totalmente las instrucciones de puesta a tierra, si tiene dudas sobre la correcta puesta a tierra del electrodoméstico, o bien:

- Si necesita usar un cable de extensión, utilice únicamente uno de 3 cables que tenga un enchufe de puesta a tierra de 3 hojas, y un receptáculo de 3 ranuras en el que quepa el enchufe del electrodoméstico. La clasificación marcada en el cable de extensión debe ser mayor o igual a la clasificación eléctrica del electrodoméstico.
- Si el cable de suministro eléctrico es demasiado corto, solicite a un electricista o técnico calificado que instale una salida cerca del electrodoméstico.

▲ **ADVERTENCIA:** NO corte ni retire la tercera clavija (tierra) del cable de alimentación bajo ningún punto de vista.

INSTRUCCIONES DE SEGURIDAD IMPORTANTES

▲ ADVERTENCIA: A fin de reducir el riesgo de incendio, descarga eléctrica y/o lesiones personales, deben seguirse siempre las precauciones básicas de seguridad al utilizar electrodomésticos.

Cuando se usan equipos eléctricos deben seguirse ciertas reglas básicas de seguridad, incluyendo lo siguiente:

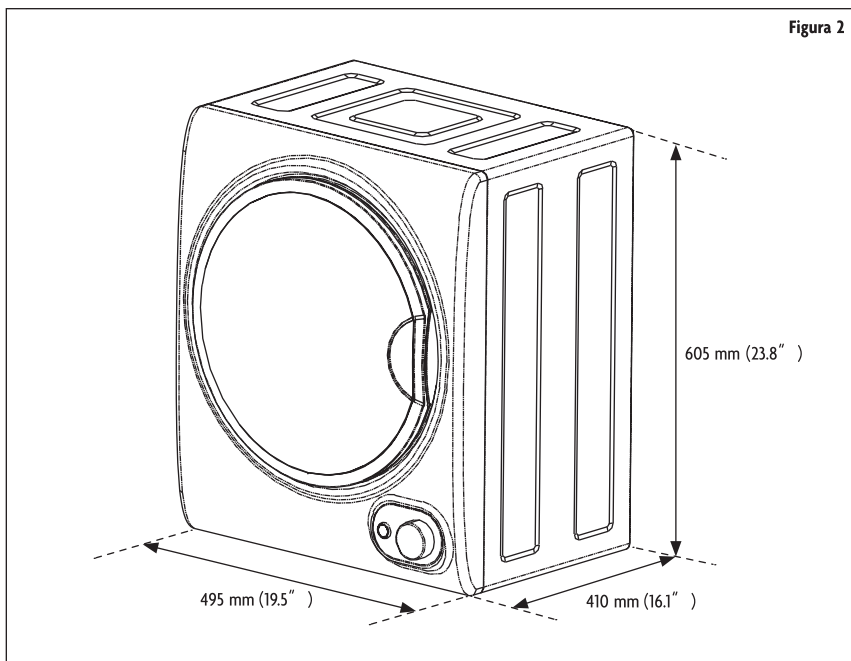
1. Lea todas las Instrucciones antes de usar el equipo.
2. Riesgo de atrapamiento y asfixia de niños; jamás deje que los niños operen el electrodoméstico, jueguen con él ni se metan adentro.
3. Este equipo debe tener una conexión de tierra, lea las "INSTRUCCIONES DE CONEXION A TIERRA", encontradas en la página 4.
4. Instale o coloque este aparato de acuerdo únicamente con las instrucciones de instalación proporcionadas.
5. NO coloque la secadora en habitaciones con vapor o donde quede directamente expuesta a la lluvia. La humedad puede dañar el aislamiento eléctrico y provocar riesgo de descarga eléctrica.
6. Utilice la secadora únicamente para su uso previsto descrito en el manual para el usuario. Este tipo de secadora ha sido diseñado específicamente para secar ropa. No ha sido diseñada para uso industrial ni de laboratorio.
7. Como con cualquier aplicación, la supervisión cercana es necesaria cuando es utilizada por los niños o personas discapacitadas.
8. No use el secadora si tiene dañado el cable de alimentación o clavija, si funciona de manera inapropiada o si ha sufrido alguna caída.
9. Este secadora debe ser revisado solamente por un personal cualificado de servicio. Contacta un facilidad de servicio el más cercano para examinar, reparar o ajustar.
10. No cubra o bloquee ninguna salida de ventilación del equipo.
11. NO coloque la mano en el tambor giratorio durante el funcionamiento. El tambor giratorio rota a gran velocidad y las partes giratorias pueden causarles lesiones en las manos.
12. No sumerja en agua el cable de alimentación o clavija.
13. Mantenga el cable de alimentación alejado de superficies calientes.
14. NO almacene ni use gasolina u otro vapor o líquido inflamable cerca de este electrodoméstico o cualquier otro. Los vapores pueden causar riesgo de incendio o explosión.
15. Al limpiar las superficies de la puerta y de la estructura, use solo jabones o detergentes suaves, no abrasivos aplicados con una esponja o paño suave. Jamás limpie las piezas del electrodoméstico con líquidos inflamables. Los vapores pueden causar riesgo de incendio o explosión.
16. Esta secadora es para uso en interiores solamente. NO la use en exteriores.
17. NO coloque el aparato ni su cable cerca de fuentes de calor tales como radiadores, calentadores, ductos de aire, ni bajo la luz solar directa.
18. NO despliegue el cable debajo de revestimientos de suelo. Coloque el cable lejos de áreas con mucho tránsito para que no represente un riesgo de tropiezo.
19. Para desconectar el aparato: apáguelo, apague el tomacorriente y retire el enchufe del tomacorriente.
20. Después de apagar la fuente de energía de la secadora, espere un mínimo de 2 minutos antes de encenderla nuevamente.

21. NO sostenga el aparato por el cable ni tire de él para desconectarlo del tomacorriente. Para desconectarlo, sujete el enchufe y tire.
22. NO doble, estire, gire ni ate excesivamente el cable eléctrico, ni coloque objetos pesados sobre el mismo.
23. No se recomienda usar un cable de extensión con este producto.
24. NO la coloque en un gabinete muy ajustado.
25. NO sobrecargue la secadora.
26. La ventana de la puerta puede calentarse luego de un ciclo de secado prolongado. Asegúrese de mantener a los niños alejados del equipo.
27. Si la secadora no está instalada en la pared, colóquela en un espacio plano, estable y seco. NO la coloque sobre materiales suaves tales como espumas o plásticos.
28. NO use materiales inflamables ni combustibles tales como gas, gasolina, alcohol o laca en la secadora.
29. NO la use si el cable eléctrico está dañado.
30. Los artículos con aceites pueden incendiarse espontáneamente, sobre todo cuando se exponen a fuentes de calor tales como esta secadora. Amontonar, apilar o guardar los artículos afectados por aceites puede evitar que el calor salga, lo que crea un riesgo de incendio.
31. Si no se puede evitar que se coloquen dentro de la secadora telas con aceites vegetales, aceites de cocina, acetonas, alcohol, gasolina, kerosene, quitamanchas, trementina, ondas, removedores de cera o productos para el cuidado del cabello, primero deben lavarse con agua caliente con detergente adicional. Esto reducirá, pero no eliminará el riesgo de incendio.
32. Si se detiene la secadora antes de terminar un ciclo de secado, los artículos dentro de ella estarán calientes.

GUARDE ESTAS INSTRUCCIONES PARA FUTURAS REFERENCIAS

ESPECIFICACIONES

Figura 2



Altura	605 mm (23.8")
Ancho	495 mm (19.5")
Profundidad	410 mm (16.1")
Peso	17.0 kg (37.5 lbs.)
Suministro eléctrico	120 V/60 Hz
Capacidad	1.5 Cu. Ft.
Voltaje nominal	850 W

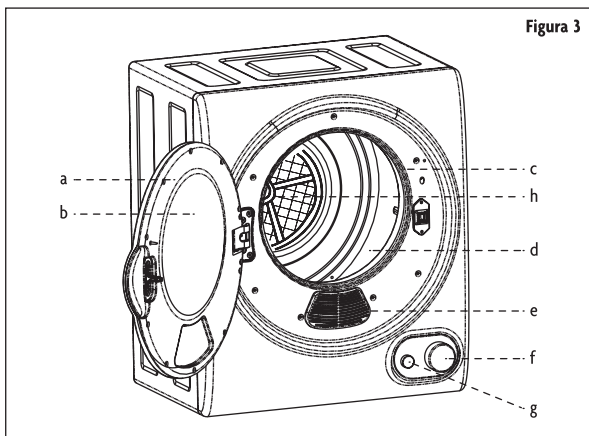
* Debido al desarrollo continuo de productos, las especificaciones y el diseño pueden estar sujetos a cambios sin previo aviso.

PARTES Y FUNCIONES

PARTE DELANTERA

El aspecto de su modelo puede variar levemente con respecto a las ilustraciones del manual.

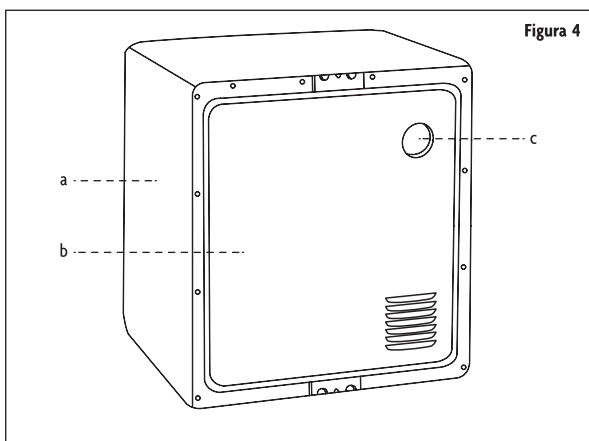
- a. Puerta
- b. Ventana
- c. Junta de la puerta
- d. Tambor
- e. Cubierta de la entrada de aire
- f. Temporizador
- g. Botón de nivel de calor
- h. Filtro de pelusas



PARTE TRASERA

El aspecto de su modelo puede variar levemente con respecto a las ilustraciones del manual.

- a. Carcasa de la secadora
- b. Cubierta trasera
- c. Ventilación de escape



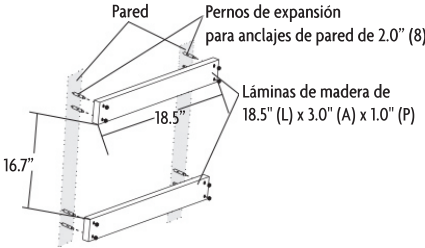
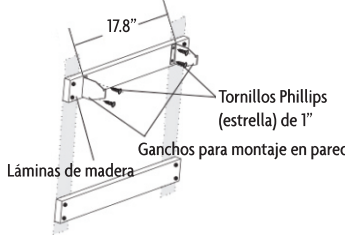
INSTRUCCIONES DE INSTALACIÓN

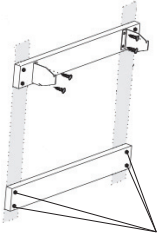
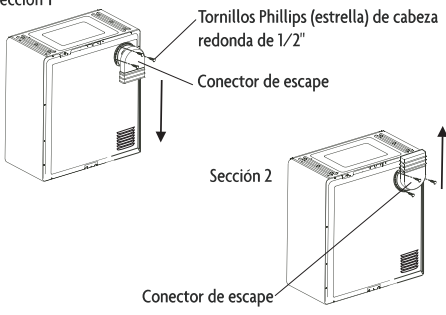
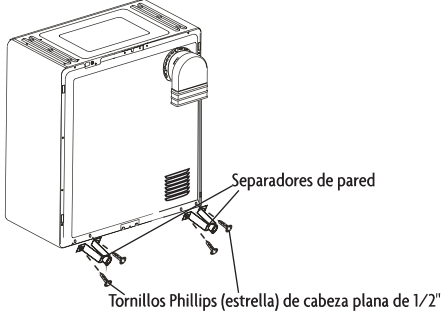
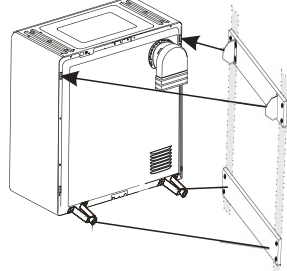
UBICACIÓN

1. Revise la secadora después de desempacarla. Verifique si hay algún daño tal como una puerta desalineada, rota, o una abolladura en la cavidad. Si tiene daños visibles, NO instale la secadora y notifique a su distribuidor inmediatamente.
2. Verifique que tenga el kit de montaje en la pared y cuatro (4) patas.
3. Coloque la secadora en una superficie plana y nivelada. Si va a montar su secadora en la pared, use el kit que viene incluido.
4. Instale la secadora lejos de la luz solar directa; esta luz puede perjudicar el revestimiento acrílico, así como las partes plásticas y eléctricas. La temperatura de la habitación no debe descender a menos de 32°F.
5. Verifique la ventilación. NO bloquee las rejillas de ventilación, sobre todo cuando la secadora se instale en suelos con alfombra. Si las rejillas de ventilación se bloquean durante el funcionamiento, la secadora puede sobrecalentarse y dañarse finalmente. Para una ventilación adecuada, permita por lo menos 5 pulgadas de espacio entre la parte superior, los lados, la parte trasera de la secadora, y las superficies adyacentes.
6. Instale la secadora lejos de aparatos de calefacción y grifos de agua. Mantenga la secadora lejos del calor, vapor o salpicaduras de líquidos. Nunca salpique agua sobre el panel de control. Esto puede perjudicar el cableado y los contactos de transmisión eléctrica de la secadora.
7. Verifique el suministro eléctrico.
 - a) Verifique su fuente de energía local. La secadora necesita una corriente de aproximadamente 12 amperios, 120 voltios y un tomacorriente de 60 Hz con conexión a tierra.
 - b) Se proporciona un cable corto de alimentación para reducir el riesgo de enredos y tropiezos con cables más largos. Asegúrese de que la secadora no esté sobre el cable eléctrico.
 - c) No se recomienda usar un cable de extensión. Si se utiliza un cable de extensión:
 - La capacidad de corriente indicada en el cable o la extensión debe ser, por lo menos, igual a la capacidad de corriente del aparato.
 - El cable de extensión debe ser un cable con conexión a tierra de 3 hilos.
 - Se debe colocar un cable más largo de tal manera que no cuelgue sobre el aparato y que los niños no puedan halar, ni que cause tropiezos involuntarios.
 - d) Conecte la secadora en un recipiente colocado adecuadamente con conexión a tierra. NO modifique, corte o elimine la tercera clavija (tierra) del cable de poder, bajo ninguna circunstancia. Cualquier duda respecto a la energía y/o la conexión a tierra debe consultarse a un electricista certificado o a un centro de servicios autorizado.

INSTRUCCIONES DE MONTAJE EN LA PARED

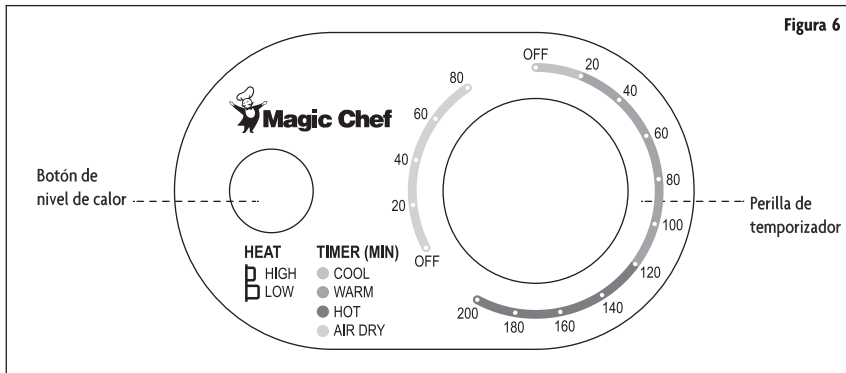
Herramientas y partes necesarias para la instalación en yeso y/o madera (no se incluyen)		Kit de montaje en pared (incluido)	
Taladro y broca de 3mm	1	Ganchos para montaje en pared	2
Destornillador de cabeza Phillips (estrella)	1	Tornillos Phillips (estrella) de 1"	4
Pernos de expansión para anclajes de pared de 2"	8	Separador de plástico	2
Láminas de madera de 18.5" (L) x 3.0" (A) x 1.0" (P)	2	Tornillos Phillips (estrella) de cabeza plana de 1/2"	4
Tornillos para madera (12mm x 50mm)	4	Conector de escape	1
		Tornillos Phillips (estrella) de cabeza redonda de 1/2"	3

Instrucciones de montaje en la pared	
<p>▲ NOTA: Se recomienda realizar el siguiente procedimiento con un mínimo de 2 personas.</p> <p>▲ NOTA: Como los materiales de las paredes varían, las herramientas suministradas para fijar pueden no ser adecuadas para su tipo de pared. Consulte en su ferretería/centro de reparaciones domésticas cercana para obtener sugerencias sobre las herramientas necesarias para su tipo de pared en particular.</p>	
1	<p>Decida la posición en la que quiere instalar los ganchos de montaje.</p> <ul style="list-style-type: none"> Esta secadora no está diseñada para colocarse sobre su lavadora. Es necesario dejar un mínimo de 2 pulgadas de espacio entre la parte superior de la secadora y el techo, para permitir una instalación fácil y un espacio adecuado para el escape de vapor. <p>Si la monta sobre una lavadora de tapa superior, deje el espacio suficiente para abrir la tapa de la misma. En caso de ser una lavadora de puerta frontal, deje el espacio suficiente de respiro.</p>
2	<p>Aunque los ganchos de montaje suministrados pueden instalarse directamente a la pared usando los tacos de madera existentes, el mejor método de instalación consiste en usar láminas de madera para proporcionar una superficie de instalación plana y nivelada, y una mayor estabilidad para el montaje completo en la pared.</p>
3	<p>Use dos láminas de madera (no se incluyen) entre los tacos para montar los ganchos. El tamaño recomendado de las láminas de madera es de 18.5" (L) x 3.0" (A) x 1.0" (P)</p> <p>Cuando use las láminas de madera para realizar el montaje en una pared de mampostería, debe usar pernos de expansión para anclajes de pared para asegurar las láminas a la mampostería.</p> <p>Use cuatro (4) pernos de expansión para anclajes de pared por cada lámina de madera.</p> 
4	<p>Instale los ganchos para montaje en pared usando los cuatro (4) tornillos Phillips (estrella) de 1" sobre las láminas de madera superiores.</p> 

5	<p>Coloque los cuatro (4) tornillos para madera en la lámina de madera inferior.</p>	 <p>Tornillos para madera</p>
6	<p>Coloque el conector de escape como se muestra en la imagen, usando los tres (3) tornillos Phillips (estrella) de cabeza redonda de 1/2" que se incluyen.</p> <ul style="list-style-type: none"> • Para el escape descendente, consulte la Sección 1. • Para el escape ascendente, consulte la Sección 2. 	 <p>Sección 1</p> <p>Tornillos Phillips (estrella) de cabeza redonda de 1/2"</p> <p>Conector de escape</p> <p>Sección 2</p> <p>Conector de escape</p>
7	<p>Coloque los separadores de pared inferiores (incluidos) usando los dos (2) tornillos Phillips (estrella) de cabeza plana (incluidos) de 1/2 pulgada.</p> <p>Estos separadores son necesarios cuando el equipo se coloca en la pared, para permitir la ventilación necesaria para un funcionamiento eficiente.</p> <p>Si no se colocan estos separadores, se reducirá la ventilación necesaria para el funcionamiento del equipo y este quedará en una posición inclinada, lo que produciría un posible montaje inestable sobre la pared.</p>	 <p>Separadores de pared</p> <p>Tornillos Phillips (estrella) de cabeza plana de 1/2"</p>
8	<p>Coloque la secadora en el montaje de pared. Con la ayuda de otra persona, suba la secadora y alinee los orificios de montaje en la parte trasera de la secadora con los ganchos de montaje.</p> <p>Incline la secadora en un ángulo de 45° e introduzca los soportes de suspensión en los orificios de montaje en la secadora, tal como se muestra en la imagen a la derecha.</p> <p>Una vez colocados los montajes de la secadora, baje la secadora lentamente y colóquela en su lugar, y verifique la presión o contactos débiles en todos los puntos de montaje.</p>	 <p>Separadores de pared</p> <p>Tornillos Phillips (estrella) de cabeza plana de 1/2"</p>

INSTRUCCIONES DE FUNCIONAMIENTO

PANEL DE CONTROL



NIVEL DE CALOR

- **ALTO:** presione el botón "CALOR" para utilizar la secadora en un nivel alto de calor. Use este ajuste para artículos voluminosos o para grandes cantidades.
- **BAJO:** presione el botón "CALOR" para utilizar la secadora en un nivel bajo de calor. Use este ajuste para artículos delicados tales como la seda, nylon, lino, etc.

TEMPORIZADOR

- **APAGADO:** cuando el temporizador está en la posición "APAGADO", no se suministra energía al equipo. Mover el selector en sentido de las agujas del reloj hacia el programa deseado encenderá la secadora.
- **FRÍO:** generalmente, este ajuste se usa para enfriar artículos que acaban de secarse, para ayudar a evitar la formación de arrugas. El motor generará aire frío en lugar de aire caliente en el tambor de la secadora.
- **TIBIO:**
 - **ANTIARRUGAS:** para cargas de ropa difícil de planchar (por ejemplo, camisas de algodón y lino), presione el botón "CALOR" para utilizar la secadora en un nivel bajo de calor y coloque el temporizador entre 30 y 60 minutos, dependiendo del tamaño de la carga. Cuando se detenga el ciclo, los artículos aún tendrán humedad, lo que facilitará el proceso de planchado.
 - **SECADO TIBIO:** este ajuste se usa para secar y enfriar, y dependiendo del material, para dejar los artículos sin arrugas. Presione el botón "CALOR" para utilizar la secadora en un nivel alto de calor y coloque el temporizador moviendo el selector en sentido de las agujas del reloj entre 60 y 120 minutos.
- **CALIENTE:** este ajuste se usa para secar grandes cantidades de ropa o artículos voluminosos (por ejemplo, más de la mitad del tambor de la secadora está lleno). Coloque el temporizador moviendo el selector en sentido de las agujas del reloj a +120 minutos.
- **SECADO AL AIRE:** Este ajuste se usa sin calor para refrescar artículos dejando que el aire frío se mueva a través de ellos (por ejemplo, la ropa que se guardó por un largo período de tiempo).

REFERENCIA DEL TIEMPO DE SECADO

Para obtener mejores resultados, se recomienda no superar la capacidad de secado de 5.5 libras de material textil seco. Los tiempos de secado pueden verse afectados por muchos factores, tales como el material, el volumen, qué tan llena está la lavadora, etc. El siguiente cuadro es una guía solamente.

▲ **NOTA:** Los pesos de carga y sus respectivos tiempos de secado son aproximados.

Capacidad de secado	1 libra	2 libras	3 libras	5.5 libras
Tiempos aproximados de secado	30 minutos	60 minutos	120 minutos	200 minutos

CLASIFICACIÓN Y CARGA DE ROPA

Para obtener mejores resultados, debe separar la ropa adecuadamente. Separe los artículos que sueltan pelusa (por ejemplo, felpa y tejido de rizo) de los artículos colectores de pelusa (por ejemplo, sintéticos, franela, terciopelos y paños). Separe los artículos que destiñen de los artículos de colores claros, las telas pesadas de las livianas y los de planchado permanente de los artículos pesados y voluminosos.

▲ **NOTA:** Las ropas delicadas, sobre todo aquellas con cintas o encaje, deben colocarse dentro de una bolsa de nylon antes de secar, para evitar que se enreden.

▲ **NOTA:** Antes de secar, revise todos los bolsillos. Si se dejan clavos, monedas o alfileres dentro de los bolsillos, estos objetos pueden dañar la secadora y/o la ropa. Distribuya uniformemente la ropa dentro de la secadora. La ropa colocada de forma irregular puede producir ruido y vibraciones.

▲ **NOTA:** La ropa con cremalleras, hebillas o sujetadores debe cerrarse o voltearse para reducir el impacto del ruido entre el metal y el tambor de la lavadora.

▲ **NOTA:** NO SECAR EN SECADORA. Lea con atención todas las etiquetas de cuidados permanentes. Si la etiqueta de cuidados dice "Secado por goteo" o "Secado colgado", NO seque la prenda en la secadora. Además, algunos materiales se derretirán o se volverán peligrosamente inflamables si se calientan, mientras que otras prendas pueden perder su forma. Los siguientes constituyen otros artículos que no deben secarse en secadora:

- Prendas que se han lavado al seco en casa.
- Prendas de lana, a menos que el fabricante lo recomiende.
- Prendas con material de fibra de vidrio.
- Prendas con materiales laminados y/o de tejido engomado.
- Prendas de vinil o de materiales plásticos.

▲ **NOTA:** NO use suavizantes de ropa o productos relacionados que ayuden a eliminar la estática, a menos que el fabricante del suavizante o de productos relacionados lo recomiende.

CUIDADO DE LA TELA

- Para obtener mejores resultados, cargue la secadora con ropa de telas, pesos y fabricación similares.
- Verifique si hay manchas que no se hayan eliminado con el lavado. El calor de la secadora puede fijar permanentemente algunas manchas.
- Separe los artículos claros de los oscuros, como lo hace cuando va a lavar.
- **TIEMPO DE SECADO:** El tiempo de secado depende de muchos factores, tales como el tipo de tela. Además, la duración del secado depende de cuán seca quiere que esté la ropa cuando la saque de la secadora.
- **SUAVIZANTES DE ROPA QUE SE AÑADEN A LA SECADORA:** Algunos suavizantes de ropa que se añaden a la secadora pueden causar daños a las secadoras automáticas. Por lo tanto, use solamente suavizantes con garantía escrita por el fabricante, de que el suavizante puede usarse en su secadora de forma segura.
- **ARTÍCULOS SEPARADOS:** Use el modo de secado temporizado cuando solo se vaya a secar un artículo.

- **PRENDAS DEMASIADO SECAS:** No seque demasiado las prendas. Esto puede hacer que la tela se arrugue, se encoja o se sienta áspera. Los materiales sintéticos también pueden cargarse de electricidad estática. Revise las prendas periódicamente si no está seguro del tiempo de secado.

▲ **NOTA:** Consulte la tabla de Cuidado de la tela en la página 14 para conocer los símbolos de cuidado de tela usados comúnmente.

▲ **NOTA:** Retire SIEMPRE la carga de ropa de la secadora lo más pronto posible.

TABLA DE CUIDADO DE LAS TELAS

Símbolo de cuidado de las telas	Definición
	Material resistente
	Tela delicada
	Puede lavarse a 200°F/95°C
	Puede lavarse a 140°F/60°C
	Puede lavarse a 105°F/40°C
	Puede lavarse a 85°F/30°C
	Esta prenda puede lavarse a mano
	Solo limpieza en seco
	Puede lavarse con blanqueador en agua fría
	No usar blanqueador
	Puede plancharse a 392°F/200°C como máximo
	Puede plancharse a 302°F/150°C como máximo
	Puede plancharse a 212°F/100°C como máximo
	No planchar
	Limpieza en seco con cualquier solvente
	Limpieza en seco con percloruro, combustible para encendedores, alcohol puro o R113 solamente
	Limpieza en combustible de aviación, alcohol puro o R113 solamente
	No limpiar en seco
	Secar plano
	Puede colgarse para secar
	Secar colgado en tendedero
	Centrifugado, calor normal
	Centrifugado, calor reducido
	No centrifugar

CUIDADO Y MANTENIMIENTO

UNIDAD


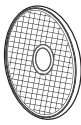
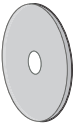
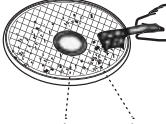
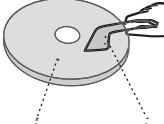

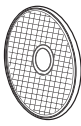
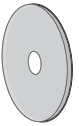
La secadora debe limpiarse de manera regular, incluido el panel de control, con un paño suave y detergentes domésticos no abrasivos. No se recomienda el uso de detergentes fuertes o abrasivos. No vierta agua en la secadora ni en el panel de control. Use un paño suave para secar las superficies. No mantener la secadora limpia puede causar deterioro de la superficie, y esto puede afectar de manera adversa la vida útil del electrodoméstico y posiblemente causar situaciones de peligro.

▲ NOTA: Desenchufe el cable de alimentación antes de limpiar cualquier parte de la secadora.

CONJUNTO DEL FILTRO PARA PELUSAS

La secadora debe limpiarse de manera regular, incluido el conjunto del filtro para pelusas. Consulte la tabla del Conjunto del filtro para pelusas cuando limpie el conjunto del filtro.

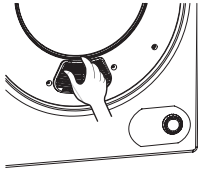


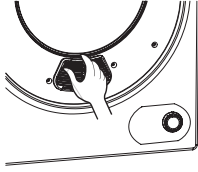
▲ NOTA: Desenchufe el cable de alimentación antes de limpiar cualquier parte de la secadora.

Montaje del filtro de pelusas	
1	<p>Retire el filtro de pelusas tirando hacia afuera, usando los cuatro (4) orificios de agarre en el montaje del mismo.</p> <p>▲ NOTA: El montaje del filtro de pelusas debe instalarse cuando la secadora esté en funcionamiento. El montaje del filtro de pelusas debe limpiarse antes y después de cada uso.</p>
2	<p>El montaje del filtro de pelusas consta de tres (3) partes: cubierta de la rejilla de escape, filtro de pelusas y filtro de escape.</p> <p>Desarme el filtro de pelusas en el siguiente orden: cubierta de la rejilla de escape - filtro de pelusas - filtro de escape.</p> <div style="display: flex; justify-content: space-around; align-items: center;">    </div> <p style="text-align: center;">Cubierta de la rejilla de escape Filtro de pelusas Filtro de escape</p>
3	<p>Separe las tres (3) partes del montaje y limpie las piezas individuales usando un cepillo suave o una aspiradora. NO dañe el montaje del filtro.</p> <div style="display: flex; justify-content: space-around; align-items: center;">   </div> <p style="text-align: center;">Filtro de pelusas Pelusas Filtro de escape Limpiador de polvo</p>
4	<p>Vuelva a armar el filtro en el siguiente orden: filtro de escape - filtro de pelusas - cubierta de la rejilla de escape. Alinee el montaje completo con la posición empotrada al fondo del tambor y presione fuertemente hasta que el montaje del filtro esté asegurado.</p> <div style="display: flex; justify-content: space-around; align-items: center;">    </div> <p style="text-align: center;">Cubierta de la rejilla de escape Filtro de pelusas Filtro de escape</p>

FILTRO DE TOMA DE AIRE

La secadora debe limpiarse con regularidad, incluyendo el filtro de toma de aire. Consulte la tabla del filtro de toma de aire cuando limpie el filtro.

▲ NOTA: Desconecte el cable eléctrico antes de limpiar cualquier parte de la secadora

Montaje del filtro de toma de aire		
1	<p>Retire tirando hacia afuera, sosteniendo los extremos superior e inferior de la cubierta de la toma de aire.</p> <p>▲ NOTA: El montaje del filtro de toma de aire debe instalarse cuando la secadora esté en funcionamiento. El montaje del filtro de toma de aire debe limpiarse antes y después de cada uso.</p>	
2	<p>El filtro de toma de aire consta de dos (2) partes: cubierta de toma de aire y filtro de toma de aire.</p>	 <p>Air Intake Shroud Air Intake Filter</p>
3	<p>Retire la cubierta de toma de aire y saque el filtro de toma de aire. Limpie el filtro usando un cepillo suave o una aspiradora.</p>	 <p>Air Intake Filter</p>
4	<p>Vuelva a armar el filtro de toma de aire dentro de la cubierta de toma de aire, luego vuelva a colocar la cubierta de toma de aire presionando la carcasa con el dedo pulgar hasta que el pestillo se asegure a la secadora.</p>	

SOLUCIÓN DE PROBLEMAS

Antes de llamar al servicio técnico, consulte la siguiente lista de problemas comunes:

Problema	Posibles causas
La perilla del 'TIMER' (temporizador) no gira	La secadora no está enchufada. Si disparó el disyuntor o se quemó un fusible. Verifique que no haya un fusible de circuito quemado o que no se haya disparado el disyuntor de su casa. La puerta no está cerrada.
La secadora no funciona	La secadora no está enchufada. Si disparó el disyuntor o se quemó un fusible. Verifique que no haya un fusible de circuito quemado o que no se haya disparado el disyuntor de su casa. La puerta no está cerrada.
El tambor de la secadora no gira	La secadora no está enchufada. Si disparó el disyuntor o se quemó un fusible. Verifique que no haya un fusible de circuito quemado o que no se haya disparado el disyuntor de su casa. La puerta no está cerrada.
Las prendas no están completamente secas	Verifique que se usaron los ajustes correctos de secado para el "TEMPORIZADOR" y el "CALOR". Limpie el filtro. Reduzca la carga de ropa en la secadora. No sobrecargue la secadora. Siga secando estas prendas en el modo de secado con temporizador durante más de 10 minutos. Asegúrese de que las prendas no estén anudadas o amontonadas. La secadora no está ubicada en un área debidamente ventilada. Garantizar su lavadora de ciclo está extrayendo la agua adecuadamente.

▲ NOTA: Si el problema persiste, comuníquese con el Servicio al cliente de Magic Chef®: 1-888-775-0202 para recibir asistencia.



GARANTÍA LIMITADA

MC Appliance Corporation garantiza que todas las Secadora compacta carecen de defectos en el material y la mano de obra y acuerda solucionar cualquiera de estos defectos o instalar la(s) parte(s) nueva(s) (a elección de la compañía) en caso de que la unidad haya fallado durante el periodo de garantía. Las partes y gastos de reparación están cubiertos en esta unidad por un periodo de un año a partir de la fecha de compra. Es necesario presentar una copia del recibo o factura de compra con fecha para obtener los servicios de la garantía, el reemplazo o el reembolso.

Esta garantía cubre los aparatos que se usen dentro de los Estados Unidos contiguos, Alaska, Hawái y Puerto Rico. La garantía no cubre lo siguiente:

- Daños debido al daño del envío o a la instalación incorrecta.
- Daños debido al mal uso o abuso.
- Pérdidas de contenido debido a falla de la unidad.
- Las reparaciones se realizaron por los agentes desautorizados del servicio.
- Llamadas de servicio que no implican defectos en material y la ejecución tal como instrucción en el uso apropiado del producto o de la instalación incorrecta.
- Reemplazo o reajuste de los fusibles o de los interruptores de la casa.
- Falla de este producto si se usa con fines distintos a los que fue diseñado.
- Costes de la disposición de unidades falladas no vueltas a nuestra fábrica.
- Todos los gastos de entrega/instalación incurridos como resultado de una unidad que no cumple con lo especificado.
- Gastos de viajes y el transporte de los productos principales de servicio si su aparato está situado en una zona remota donde el servicio por un técnico de servicio no está disponible.
- La remoción y reinstalación de su gran aparato, si está instalado en un lugar inaccesible o no está instalado de conformidad con las instrucciones de instalación publicadas.
- Restituciones por productos no reparables se limita al precio pagado por la unidad por el recibo de compra.
- Esta garantía es intransferible. Esta garantía es válida exclusivamente para el comprador original y no se extiende a ningún otro propietario o propietarios subsiguientes.

Limitaciones de remedios y exclusiones:

La reparación del producto de acuerdo con los términos de este documento, es el único y exclusivo remedio determinado en esta garantía limitada. Todas y cada una de las garantías implicadas, incluyendo la calidad de comerciable y capacidad para un propósito particular, se limitan mediante la presente a un año o el periodo más corto permitido por la ley. MC Appliance Corporation no es responsable por daños incidentales ni resultantes y ningún representante o persona alguna están autorizados para asumir de parte nuestra ninguna otra responsabilidad en relación con la venta de este producto. Bajo ninguna circunstancia se le permite al consumidor regresar esta unidad a la fábrica sin consentimiento previo por escrito de MC Appliance Corporation.

Algunos estados prohíben la exclusión o limitación por daños incidentales o resultantes, o limitaciones en las garantías implícitas. Esta garantía le otorga a usted derechos legales específicos, y usted puede también tener otros derechos que varían según la entidad federal/iva donde se encuentre.

Modelo	Piezas	Trabajo	Tipo de servicio
MCSDRY1SW	Uno año	Uno año	Lleve adentro

Para servicio o asistencia, llame por favor al **888-775-0202**. O visítenos en www.mcappliance.com para solicitar el servicio de garantía o repuestos.



CNA International, Inc. realiza negocios bajo el nombre de MC Appliance Corporation. Derechos reservados.

El logotipo Magic Chef® es una marca registrada de CNA International, Inc.

www.mcappliance.com

Impreso en China