

This Owner's Manual is provided and hosted by [Appliance Factory Parts](#).



MAGIC CHEF HMBC58ST Owner's Manual

[Shop genuine replacement parts for MAGIC CHEF
HMBC58ST](#)



[Find Your MAGIC CHEF Refrigerator Parts - Select From 316 Models](#)

----- Manual continues below part list -----

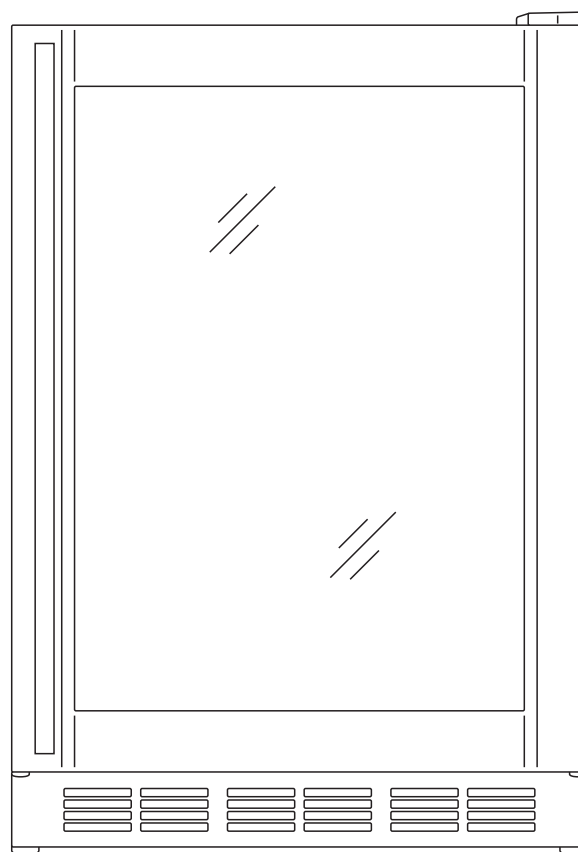
Available Replacement Parts for MAGIC CHEF HMBC58ST

| | |
|------------------------------|---------------------|
| D165P03.01 | Condensor Fan Blade |
| 312121800034 | Fan Motor Bracket |
| 312180500037 | Condenser Fan Motor |



Wine and Beverage Center

User's Manual



Model HMWC50ST / HMBC58ST

**PLEASE READ THIS MANUAL CAREFULLY BEFORE USING YOUR
WINE AND BEVERAGE CENTER AND KEEP IT FOR FUTURE REFERENCE.**

PRODUCT REGISTRATION COPY

Thank you for purchasing a Magic Chef® product. The first step to protect your new product is to complete the product registration on our website: www.mcappliance.com/register. The benefits of registering your product include the following:

1. Registering your product will allow us to contact you regarding a safety notification or product update.
2. Registering your product will allow for more efficient warranty service processing when warranty service is required.
3. Registering your product could act as your proof of purchase in the event of insurance loss.

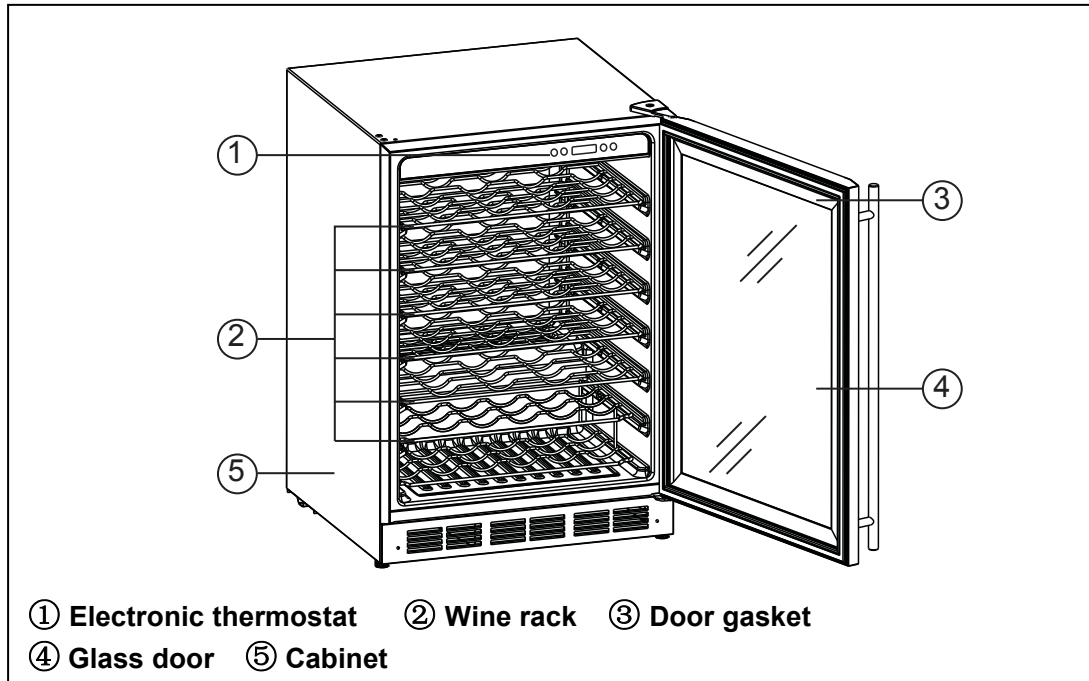
Once again, thank you for purchasing a Magic Chef® product.

TABLE OF CONTENTS

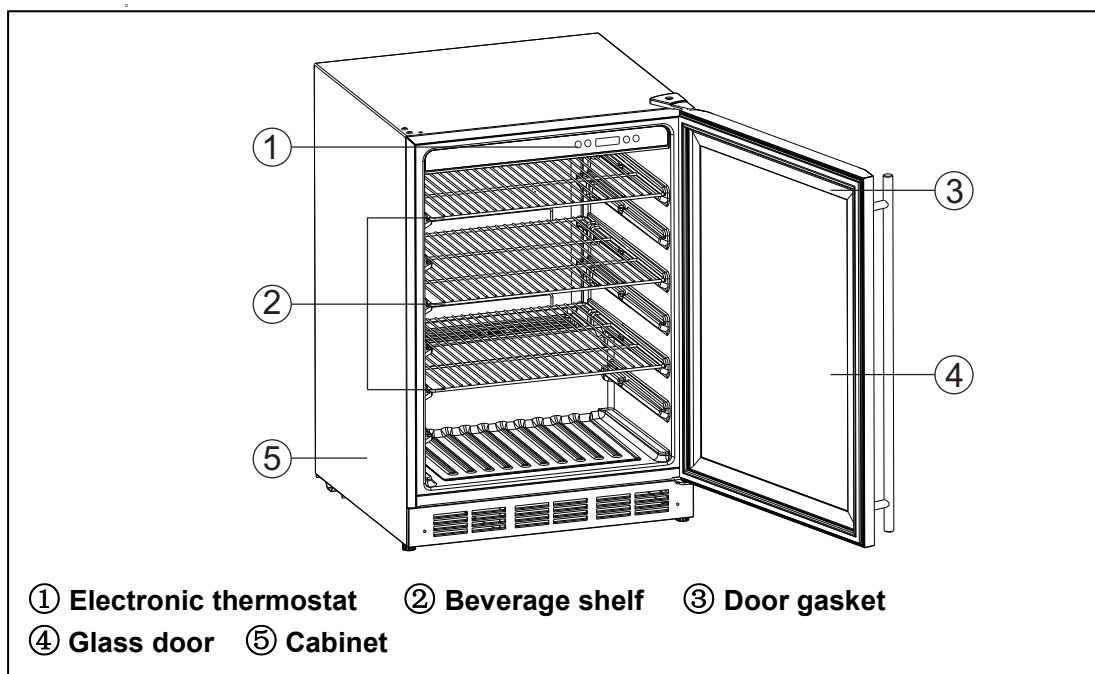
| | |
|------------------------------------|----|
| NAMES OF THE PARTS..... | 3 |
| SPECIFICATIONS..... | 4 |
| IMPORTANT SAFETY INSTRUCTIONS..... | 5 |
| INSTALLATION INSTRUCTIONS | |
| BEFORE USING YOUR APPLIANCE..... | 6 |
| FREE STANDING INSTALLATION..... | 6 |
| BUILT-IN INSTALLATION..... | 7 |
| ELECTRICAL CONNECTION | 7 |
| APPLIANCE FEATURE | |
| HMWC50ST: WINE COOLER | 8 |
| HMBC58ST: BEVERAGE COOLER | 8 |
| OPERATING YOUR APPLIANCE | |
| HMWC50ST: WINE COOLER | 9 |
| HMBC58ST: BEVERAGE COOLER | 9 |
| CHANGING THE INNER LIGHT | 10 |
| AUTOMATIC DEFROST | 10 |
| CHANGING THE REVERSIBLE DOOR | 10 |
| CARE AND MAINTENANCE | |
| CLEANING YOUR APPLIANCE..... | 11 |
| VACATION TIME..... | 11 |
| MOVING YOUR APPLIANCE..... | 11 |
| ENERGY SAVING TIPS..... | 11 |
| TROUBLESHOOTING GUIDE..... | 12 |
| APPLIANCE WARRANTY..... | 13 |

NAMES OF THE PARTS

MODEL NO.: HMWC50ST



MODEL NO.: HMBC58ST



SPECIFICATIONS – Model # HMWC50ST

| | | | |
|----------------------------|---|--------|-------|
| Product Description | Magic Chef 50 Bottle Stainless Steel Built-In Wine Cooler | | |
| Model No. | HMWC50ST | | |
| Unit Dimensions (inches) | Width | Height | Depth |
| | 23.4" | 33.9" | 24.3" |
| Net Weight (lbs) | 99.1 lbs | | |

SPECIFICATIONS – Model # HMBC58ST

| | | | |
|----------------------------|--|--------|-------|
| Product Description | Magic Chef 5.1 cu.ft. Stainless Steel Built-In Beverage Cooler | | |
| Model No. | HMBC58ST | | |
| Unit Dimensions (inches) | Width | Height | Depth |
| | 23.4" | 33.9" | 24.3" |
| Net Weight (lbs) | 95.2 lbs | | |

IMPORTANT SAFETY INSTRUCTIONS




To reduce the risk of fire, electrical shock, or injury follow these basic precautions when using your refrigerator.

- 1) **WARNING**----Keep ventilation openings, in the appliance enclosure or in the built-in structure, clear of obstruction.
- 2) **WARNING**----Do not use mechanical devices or other means to accelerate the defrosting process, other than those recommended by the manufacturer.
- 3) **WARNING**----Do not damage the refrigerant tubing to increase the risk of a leak when handle, move and use of refrigerator.
- 4) **WARNING**----Do not use electrical appliances inside the food storage compartments of the appliances, unless they are of the type recommended by the manufacturer.
- 5) **WARNING**----**DANGER:** Never allow children to play with, operate, or crawl inside the refrigerator. Risk of child entrapment. Before you throw away your old refrigerator or freezer:
 - Take off the doors
 - Leave the shelves in place so that children may not easily climb inside.
- 6) The appliance has to be unplugged before carrying out user maintenance on the appliance.
- 7) This appliance can be used by children age 8 years and above and persons with reduced physical sensory or mental capabilities or lack of experience and knowledge if they have been given supervision or instruction concerning use of the appliance in a safe way and understand the hazards involved. Children should not play with the appliance. Cleaning and maintenance should not be made by children without supervision.
- 8) If the component part is damaged, it must be replaced by the manufacturer, its service agent or similar qualified persons in order to avoid a hazard.
- 9) Please abandon the refrigerator according to local regulations as the unit contains flammable blowing gas and refrigerant.
- 10) Follow local regulations regarding disposal of the appliance due to flammable refrigerant and blowing gas. All refrigeration products contain refrigerants, which under the guidelines of federal law must be removed before disposal. It is the consumer's responsibility to comply with federal and local regulations when disposing of this product.
- 11) This appliance is intended to be used in household and similar environments; such as:
 - staff kitchen areas in shops, offices and other working environments;
 - farm houses and by clients in hotels, motels and other residential type environments;
 - bed and breakfast type environments;
 - catering and similar non-retail applications.
- 12) Do not store or use gasoline or any inflammable liquors and liquids inside or in the vicinity of refrigerator.
- 13) Do not use an extension cord with this appliance. If the power cord is too short, have a qualified electrician install an outlet near the appliance. Use of an extension can negatively affect the unit's performance.



IMPORTANT SAFETY INSTRUCTIONS

| | |
|--|--|
|  WARNING | To reduce the risk of fire, electrical shock, or injury when using your appliance, follow these basic precautions: |
| <ul style="list-style-type: none">• Read all instructions before using the wine or beverage cooler.• DANGER or WARNING: Risk of child entrapment.• To avoid the possibility of child entrapment, please take the following precautions before throwing out the appliance.<ul style="list-style-type: none">- Remove all doors from the unit.- Leave the shelves in place so that children may not easily climb inside.• Never allow children to operate, play with, or crawl inside the appliance.• Refrigerants: All refrigeration products contain refrigerants, which under the guidelines of federal law must be removed before disposal of product. It is the consumer's responsibility to comply with federal and local regulations when disposing of this product.• Never clean appliance parts with flammable fluids. The fumes can create a fire hazard or explosion.• Do not store or use gasoline or any other flammable vapors and liquids in the vicinity of this or any other appliance. The fumes can create a fire hazard or an explosion. <p style="text-align: center;">-Save these instructions-</p> | |

INSTALLATION INSTRUCTIONS

Before Using Your Appliance

- Remove the exterior and interior packing.
- Before connecting the appliance to the power source, let it stand upright for approximately 4 hours. This will reduce the possibility of a malfunction in the cooling system from improper handling during transportation.
- Clean the interior surface with lukewarm water using a soft cloth. (Cleaning instruction on page 11)

Free-Standing Installation

- This appliance is designed to be **installed built-in or free standing**.
- Locate the appliance away from direct sunlight and sources of heat (stove, heater, radiator, etc.). Direct sunlight may affect the acrylic coating and heat sources may increase electrical consumption. Ambient temperature below 55°F (12.8°C) or above 77°F (25°C) will hinder the performance of this appliance. **This unit is not designed for use in a garage or any other outside installation.**
- Avoid locating the appliance in moist areas.
- Plug the appliance into dedicated, properly installed-grounded wall outlet. Do not under any circumstances cut or remove the third (ground) prong from the power cord. Any questions concerning power and/or grounding should be directed toward a certified electrician or an authorized service center. **This unit is not designed to be installed in an RV or used with an inverter.**
- After plugging the appliance into a wall outlet, turn the unit on and allow the unit to cool down for 3 ~ 4 hours under before placing wine bottles or beverages in the appliance.

Built-In Installation

The cutout dimension illustrated in figure (A) allows for door swing and access to the pull-out shelves when installed as a built-in appliance. If installing between frameless cabinets, a 1/2" wide filler strip or side panel may be needed on hinge side. The filler strip will act as a spacer between the appliance case and adjacent cabinet door swing. The width of the opening must include the filter panels.

Note:

- The door should protrude at least 1" beyond the surrounding cabinets.
- If door reversal is desired, please follow Reversible door instructions on page 9 of this manual prior to installation.

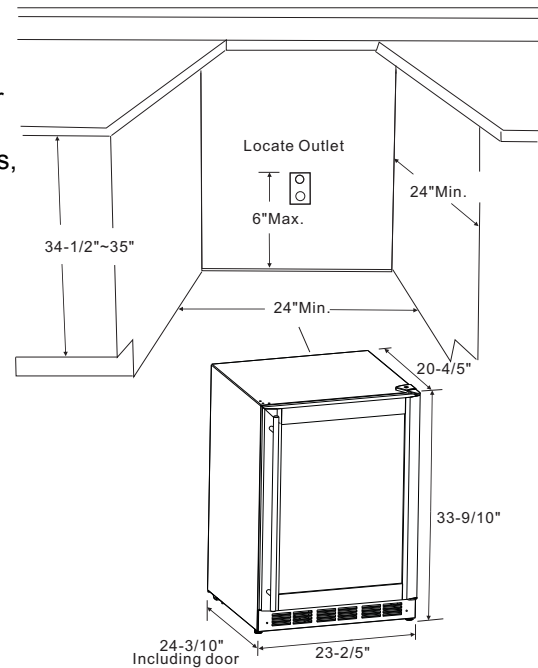


Figure A

The cutout depth must be 24".

Electrical Connection

⚡WARNING⚡

Improper use of the grounded plug can result in the risk of electrical shock. If the power cord is damaged, have it replaced by an authorized service center.

This appliance should be properly grounded for your safety. The power cord of this appliance is equipped with a three-prong plug which mates with standard three prong wall outlets to minimize the possibility of electrical shock.

Do not, under any circumstances, cut or remove the third ground prong from the power cord supplied.

This appliance requires a standard 115 Volt A.C. /60Hz electrical outlet with three-prong ground.

This appliance is not designed to be used with an inverter.

The cord should be secured behind the appliance and not left exposed or dangling to prevent accidental injury.

Never unplug the appliance by pulling the power cord. Always grip the plug firmly and pull straight out from the receptacle.

Do not use an extension cord with this appliance. If the power cord is too short, have a qualified electrician or service technician install an outlet near the appliance. Use of an extension cord can negatively affect the performance of the unit.

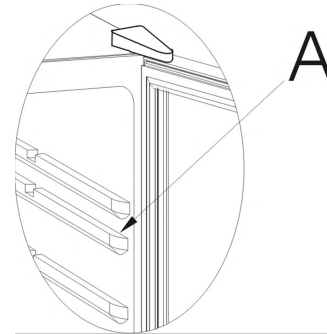
If any problems with the appliance persist, please contact our Customer Service Dept. to consult with a representative at **888 775-0202** or visit our website to request warranty service at **www.mcpliance.com**.

APPLIANCE FEATURE

HMWC50ST: Wine Cooler

Engaged Wine Shelves

- There are five wine shelves of full depth in upper part of cabinet to store wine bottles.
- The second supporting guide (Counted from top, see illustration "A") is not designed for wine shelves. It is only for beverage shelf.
- All the top five wine shelves have tabs to engage the cabinet on both sides.
- Any of the wine shelves can be removed to accommodate larger bottles.



To Remove a Shelf:

- Remove all bottles from the shelves.
- Lift the shelf upwards and then gently pull out the shelves.

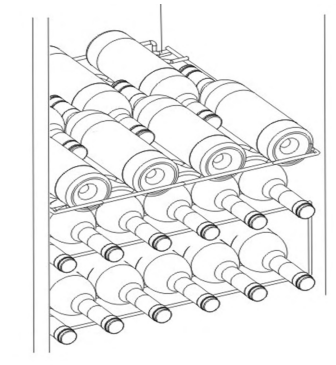
To Replace a Shelf:

- Place the sides of the shelves back onto the supporting guides of the cabinet and push back until the shelf tabs slide into place.

NOTE: Ensure that the tabs are firmly engaged in place before storing any bottles.

Bottle Arrangement

- The top five shelves each hold 8 bottles with the bottle necks alternating front to back.
- The bottom rack, which consist of two stories, each holds 6 bottles with bottle necks facing the front.



HMBC58ST: Beverage Cooler

Engaged Beverage Shelves

- There are three Steel shelves to store beverage cans or bottles.
- All three Steel shelves have tabs to engage the cabinet on both sides.
- The shelves may be arranged on any supporting guide as preferred.
- Any of the Steel shelves can be removed to accommodate larger cans or bottles.

To Remove a Shelf:

- Remove all cans or bottles from the shelves.
- Lift the shelf upwards and then gently pull out the shelves.



To Replace a Shelf:

- Place the sides of the shelves back onto the supporting guides of the cabinet and push back until the shelf tabs slide into place.

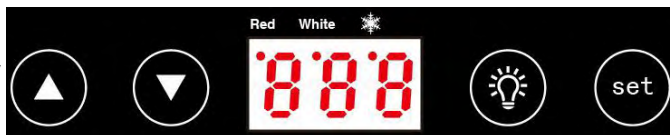
NOTE: Ensure that the tabs are firmly engaged in place before storing any beverages.

Warning:

- Do not press/jostle the circulation fan in the cabinet when you place in or remove the beverage cans or bottles.
- Properly store your beverages so that the cans or bottles do not hinder air circulation inside the cabinet.

OPERATING YOUR APPLIANCE

HMWC50ST: Wine Cooler



- The temperature range of the wine cooler is for 41°F ~ 64°F (5°C ~ 18°C) +/- 5°F.
- Temperature Recommendations:
 - Red Wine: 54°F ~ 61°F (12°C ~ 16°C)
 - White Wine: 43°F ~ 50°F (6°C ~ 10°C)
- The display indicates the average temperature of the appliance at the moment.

Pre-Set Wine Zones

- Press the ▲ or ▼ pads to choose preset storage conditions for either red or white wine. (The indicator light “Red” or “White” will illuminate accordingly.)
- The programmed temperature for red or white wine will be displayed for a few seconds.

Manual Temperature Setting

- The temperature of the wine cooler can be set anywhere between 41°F ~ 64°F (5°C ~ 18°C) by pressing temperature up ▲ and temperature down ▼ pads as follows:
 - 1) Press the [SET] pad until you hear a “Beep” sound (approximately 2 seconds).
 - 2) Press the ▲▼ pads to increase or decrease the desired temperature in increments of one degree.
 - 3) Press the [SET] pad to confirm your desired temperature setting. If no pad is pressed within 10 seconds, your select temperature setting will be automatically confirmed.

NOTE:

- To select temperature display between Celsius (°C) or Fahrenheit (°F), press the ▲ pad for approximately 2 seconds.

HMBC58ST: Beverage Cooler



- The temperature range of the beverage cooler is for 37°F ~ 54°F (3°C ~ 12°C). +/- 5°F.
- The display indicates the average temperature of the appliance at the moment.

NORMAL Temperature Setting

- When the appliance is switched on, or the ▲ pad is pressed, the appliance runs on the temperature setting of 45°F (7°C) .

Manual Temperature Setting

- The temperature of the beverage cooler can be set anywhere between 37°F ~ 54°F (3°C ~ 12°C) by pressing temperature up ▲ and temperature down ▼ pads as follows:
 - 1) Press the [SET] pad until you hear a “Beep” sound (approximately 2 seconds).
 - 2) Press the ▲▼ pads to increase or decrease the desired temperature in increments of one degree.
 - 3) Press the [SET] pad to confirm your desired temperature setting. If no pad is pressed within 10 seconds, your select temperature setting will be automatically confirmed.

NOTE:

- To select temperature display between Celsius (°C) or Fahrenheit (°F), press the ▲ pad for approximately 2 seconds.*

The following is applicable to both HMWC50ST and HMBC58ST:

- The ❄️ indicator will remain ON during refrigeration cycle and will be OFF during idle cycle.
- To switch the Interior light ON/OFF, press the 💡 pad.

Changing The Inner Light

Before removing the inner light, turn off the appliance first and then unplug the unit from the wall outlet. Failure to do so could result in electrical shock or personal injury.

- Remove two screws that fix the control box. While holding the control box, disconnect the LED connector to the main PCB.
- Remove the LED array by removing two screws.
- Replace a new LED array and connect it to the main PCB.
- Fix the LED array and reinstall the control box.

Important: The replacement of LED lamp can only be performed by an authorized technician.

Automatic Defrost

There is no need for manual defrosting of this appliance due to automatic defrosting function.

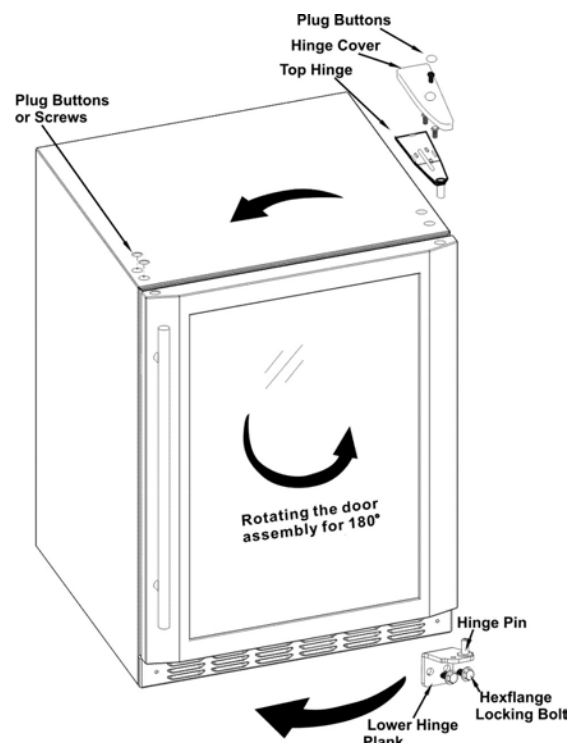
- The ice build-up on the inner back wall during compressor operation will be automatically defrosted once the compressor cycle is off.
- Defrost water will drain out passing through the drain outlet in the inner back wall into a drain pan located above the compressor, from where it evaporates.

CHANGING THE REVERSIBLE DOOR

This appliance is built with a reversible door. You have the choice of either opening it from the left or the right side. In order to reverse the opening direction of your door, please follow these simple instructions. **NOTE: If desired, please change the door swing prior to appliance installation.**

Caution: To avoid personal injury to yourself and/or property, we highly recommend that someone assist you during the door reversal process.

- 1) Remove the top hinge assembly and keep them for later use.
- 2) Disassemble the lower hinge plank by removing 2 hex flange locking bolts. Screw out the hinge pin from the hinge plank and re-screw it into the other hole on the plank and keep it for later use.
- 3) Remove the plug buttons from the upper left holes and transfer them to the uncovered holes on the right side. Be sure to press the plug buttons firmly into the hole.
- 4) Re-install the top hinge assembly previously removed in step 1 on the opposite side.
- 5) Re-install the lower hinge plank (with the hinge pin on the opposite hole) previously removed in step 2 onto the opposite side.
- 6) Re-install the door assembly with the door handle on the opposite side. (Rotating the door assembly 180°).
- 7) Ensure that the door assembly is properly aligned with cabinet before tightening the screws.



CARE AND MAINTENANCE

Cleaning Your Appliance

- Upon installation of your new appliance, it is recommended that it be cleaned thoroughly.
- Turn off the appliance first and then unplug the unit from the wall outlet.
- Remove all contents.
- Wash the inside with a damp warm cloth soaked in lukewarm water and baking soda solution. The solution should be about 2 tablespoons of baking soda to a quart of water.
- Be sure to keep the door gasket (seal) clean to keep the unit running efficiently.
- The outside of the appliance should be cleaned with mild detergent and warm water.
- Dry the interior and exterior with a soft cloth.
- Dust or anything else blocking the vent may hinder the cooling efficiency of the appliance. Vacuum the vent if necessary.

Vacation Time

- Turn off the appliance first and then unplug the unit from the wall outlet.
- Remove all the contents.
- Clean the appliance.
- Leave the lid open slightly to avoid possible formation of condensation, mold, or odors.
- Short vacations: Leave the appliance operating during vacations of less than three weeks.
- Long vacations: If the appliance will not be used for several months, remove all content and unplug the power cord. Clean and dry the interior thoroughly. To prevent odor and mold growth, leave the door open slightly: blocking it open if necessary.

Moving Your Appliance

- Turn off the appliance first and then unplug the unit from the wall outlet.
- Remove all the contents.
- Securely tape down all loose items inside your appliance.
- Tape the doors shut.

Energy Saving Tips

- The appliance should be located in the coolest area of the room, away from heat producing appliances or heating ducts, and out of the direct sunlight.
- Ensure that door is closed when the appliance is turned on.

TROUBLESHOOTING GUIDE

You can solve many common appliance problems easily, saving you the cost of a possible service call. Try the suggestions below to see if you can solve the problem before calling for service.

| PROBLEM | POSSIBLE CAUSE |
|---|--|
| Appliance does not operate. | Not plugged in. The circuit breaker tripped or a blown fuse. |
| Temperature inside the appliance is too warm. | Temperature control is set too warm. Turn the control to a cooler setting and allow several hours for the temperature to stabilize. Door is kept open too long or is opened too frequently. Warm air enters the appliance every time the door is opened. Open the door less often. The door is not closed completely. The door gasket does not seal properly. The appliance has recently been disconnected for a period of time. 4 hours are required for the appliance to cool down completely. |
| Temperature inside the appliance is too cold. | Temperature control is set too cold. Turn the control to a warmer setting and allow several hours for the temperature to stabilize. |
| Vibrations. | Check to assure that the appliance is on a level surface. The appliance is touching the wall. Re-level the appliance and move it from the wall. If continued vibration occurs, turn off the appliance and unplug the power plug. Contact Customer Service Dept. for further assistance. |
| Moisture forms on inside appliance walls. | Door is slightly open. Door is kept open too long, or is opened too frequently. Open the door less often. The door is not sealed properly. |
| Moisture forms on outside of appliance. | Door is slightly open, causing cold air from inside the appliance to meet warm moist air from outside. |
| The door will not close properly. | The appliance is not on a level surface. The gasket is dirty. |

WARRANTY

LIMITED WARRANTY

MC Appliance Corporation warrants each new “Wine & Beverage Center” to be free from defects in material and workmanship and agrees to remedy any such defect or to furnish a new part(s) (at the company’s option) for any part(s) of the unit that has failed during the warranty period. Parts and labor expenses are covered on this unit for a period of one year after the date of purchase. A copy of the dated sales receipt/invoice is required to receive warranty service, replacement or refund.

In addition, MC Appliance Corporation warrants the compressor (parts only) to be free from defects in material and workmanship for a period of five years. The consumer is responsible for all labor and transportation expenses related to the diagnosis and replacement of the compressor after the initial one-year warranty expires. In the event that the unit requires replacement or refund under the terms of this warranty, the consumer is responsible for all transportation expenses to return the unit to our factory prior to receiving a replacement unit or refund. A refund or replacement will be issued at the discretion of MC Appliance Corporation.

This warranty covers appliances in use within the contiguous United States, Alaska, Hawaii, Canada and Puerto Rico. The warranty does not cover the following:

- Damages due to shipping damage or improper installation
- Damages due to misuse or abuse
- Punctures to the evaporator system due to improper defrosting of the unit
- Content losses due to failure of the unit
- Repairs performed by unauthorized service agents
- Service calls that do not involve defects in material and workmanship, such as instruction on proper use of the product or improper installation
- Replacement or resetting of house fuses or circuit breakers
- Failure of this product if used for purposes other than its intended purpose
- Disposal costs of failed units not returned to our factory
- Any delivery or installation costs incurred as the result of a unit that fails to perform as specified
- Expenses for travel and transportation for product service if your appliance is located in a remote area where service by an authorized service technician is not available
- The removal and reinstallation of your appliance if it is installed in an inaccessible location or is not installed in accordance with published installation instructions
- Refunds for non-repairable products are limited to the price paid for the unit per the sales receipt
- This warranty is non-transferable. This warranty applies only to the original purchaser and does not extend to any subsequent owner(s)

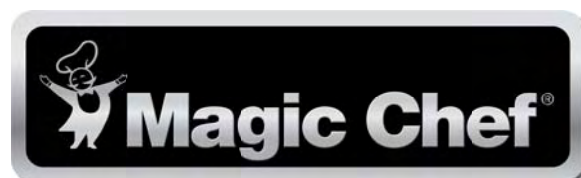
LIMITATIONS OF REMEDIES AND EXCLUSIONS

Product repair in accordance with the terms herein, is your sole and exclusive remedy under this limited warranty. Any and all implied warranties including merchantability and fitness for a particular purpose are hereby limited to one year or the shortest period allowed by law. MC Appliance Corporation is not liable for incidental or consequential damages and no representative or person is authorized to assume for us any other liability in connection with the sale of this product. Under no circumstances is the consumer permitted to return this unit to the factory without the prior written consent of MC Appliance Corporation.

Some states prohibit the exclusion or limitation of incidental or consequential damages, or limitations on implied warranties. This warranty gives you specific rights, and you may also have other rights which vary from state to state.

| Model | Parts & Labor | Compressor (Parts Only) | Type of Service |
|----------|---------------|-------------------------|-----------------|
| HMWC50ST | One Year | Five Years | In-Home |
| HMBC58ST | One Year | Five Years | In-Home |

For Service or Assistance, please call **888-775-0202**. Or visit us on the web at www.mcappliance.com to request warranty service or order parts.



**CNA International, Inc. d/b/a MC Appliance Corporation. All rights reserved.
Magic Chef® is a registered trademark of CNA International, Inc.**

www.mcappliance.com

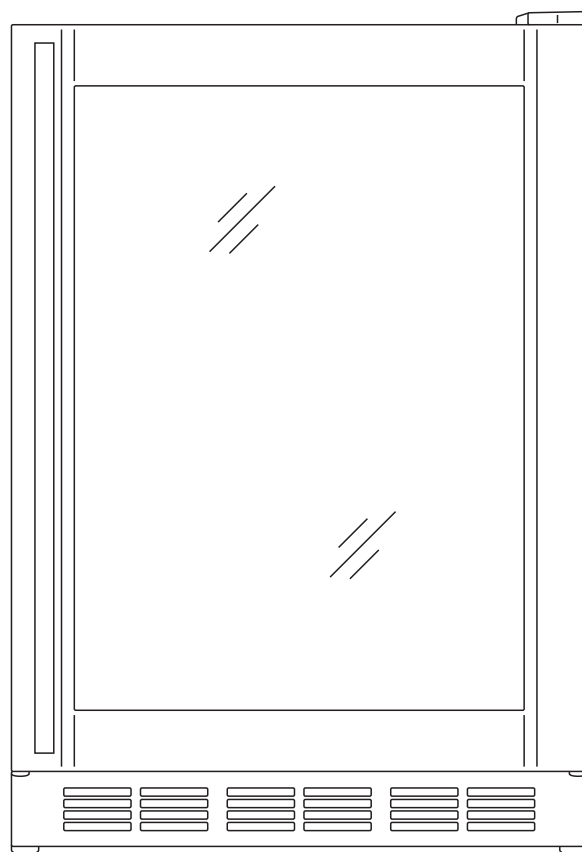
Printed in China



Magic Chef®

Centro de bebidas y vinos

Manual del usuario



Modelo HMWC50ST / HMBC58ST

**LEA ESTE MANUAL ANTES DE UTILIZAR SU CENTRO DE BEBIDAS Y VINOS Y
GUÁRDELO PARA FUTURA REFERENCIA.**

REGISTRACIÓN DEL PRODUCTO

Gracias por comprar el producto Magic Chef®. El primer paso para proteger su nuevo producto es completar la forma de registración en nuestra pagina web: www.mcappliance.com/register. Los beneficios de registrar su producto incluyen lo siguiente:

1. Al registrar su producto nos permite contactarle para notificarle de un cambio de seguridad o actualización del producto.
2. Si llegara a necesitar servicio bajo garantía, registrando su producto nos permite ser más eficiente en procesar el servicio.
3. En el evento que usted tenga una perdida que esta cubierto por un seguro, registrando su producto puede servir como prueba de su compra.

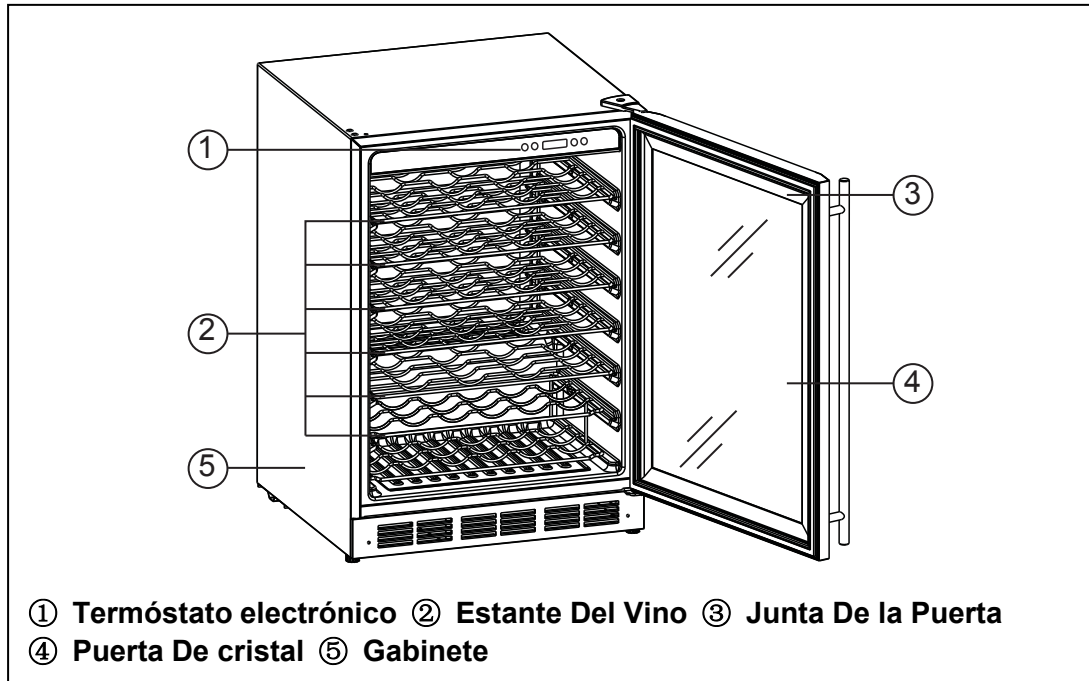
Una vez más gracias por comprar un producto marca Magic Chef®.

INDICE DE MATERIAS

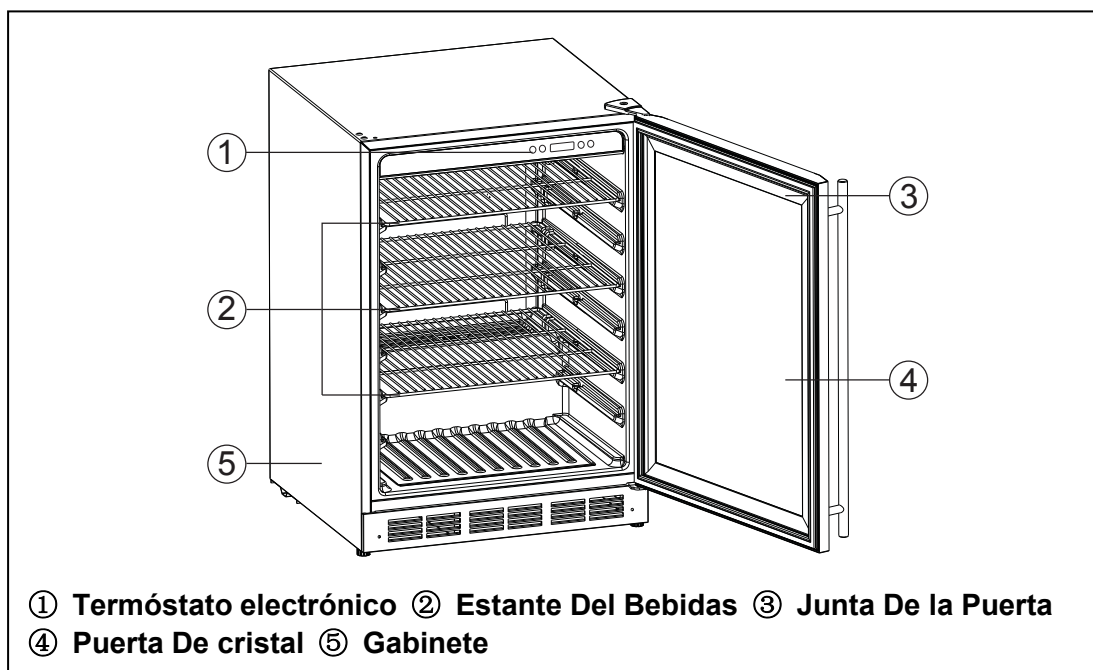
| | |
|--|----|
| LOS NOMBRES DE LAS PARTES..... | 3 |
| ESPECIFICACIONES..... | 4 |
| LAS INSTRUCCIONES IMPORTANTES DE LA SEGURIDAD..... | 5 |
| INSTRUCCIONES DE INSTALACIÓN | |
| ANTES DE UTILIZAR SU APARATO..... | 6 |
| INSTALACIÓN INDEPENDIENTE | 6 |
| INSTALACIÓN PARA EMPOTRAR | 7 |
| CONEXIÓN ELÉCTRICA..... | 7 |
| CARACTERÍSTICA DEL APARATO | |
| HMWC50ST: ENFRIADORA DE VINOS | 8 |
| HMBC58ST: ENFRIADORA DE BEBIDAS | 8 |
| OPERAR SU APARATO | |
| HMWC50ST: ENFRIADORA DE VINOS | 9 |
| HMBC58ST: ENFRIADORA DE BEBIDAS | 9 |
| COMBIAR LA LUZ INTERNA | 10 |
| DESCONGELAMIENTO AUTOM TICO | 10 |
| CAMBIAR LA PUERTA REVERSIBLE | 10 |
| CUIDE Y LA CONSERVACION | |
| PARA LIMPIAR SU APARATO..... | 11 |
| EN LAS VACACIONES | 11 |
| PARA CAMBIAR DE LUGAR SU APARATO..... | 11 |
| RECOMENDACIONES PARA AHORRAR ENERGÍA..... | 11 |
| GUÍA DE RESOLUCIÓN DE PROBLEMAS..... | 12 |
| GARANTIA DE APARATO | 13 |

LOS NOMBRES DE LAS PARTES

MODELO N° . HMWC50ST



MODELO N° . HMBC58ST



ESPECIFICACIONES - MODELO N° HMWC50ST

| | | | |
|----------------------------------|---|--------|-------------|
| Descripción de producto | Magic Chef 50 Botellas acero inoxidable enfriadora de vinos para empotrar | | |
| Modelo No. | HMWC50ST | | |
| Dimensiones (pulgadas) de unidad | Anchura | Altura | Profundidad |
| | 23.4" | 33.9" | 24.3" |
| Peso neto | 99.1 (lbs) | | |

ESPECIFICACIONES - MODELO N° HMBC58ST

| | | | |
|----------------------------------|--|--------|-------------|
| Descripción de producto | Magic Chef 5.1 cu.ft. acero inoxidable enfriadora de bebidas para empotrar | | |
| Modelo No. | HMBC58ST | | |
| Dimensiones (pulgadas) de unidad | Anchura | Altura | Profundidad |
| | 23.4" | 33.9" | 24.3" |
| Peso neto | 95.2 (lbs) | | |

LAS INSTRUCCIONES IMPORTANTES DE LA SEGURIDAD



To Para reducir el riesgo de incendio, choque eléctrico o lesiones, siga estas precauciones básicas al usar su refrigerador.

- 1) **ADVERTENCIA**---- mantenga las aberturas de ventilación, en el mismo aparato o en la estructura integrada, libres de obstrucciones.
- 2) **ADVERTENCIA**----no utilice dispositivos mecánicos u otros medios para acelerar la descongelación, más que los recomendados por el fabricante.
- 3) **ADVERTENCIA**----no dañe la tubería de refrigerante para aumentar el riesgo de una fuga al manejar, mover y usar el refrigerador.
- 4) **ADVERTENCIA**----no utilice aparatos eléctricos dentro de los compartimientos de almacenamiento de alimentos del aparato, a menos que sean del tipo recomendado por el fabricante.
- 5) **ADVERTENCIA**----**PELIGRO:** Nunca permita que los niños jueguen, hagan funcionar o se arrastren dentro del refrigerador. Existe el riesgo de que los niños queden atrapados. Antes de desechar su refrigerador o congelador viejo:
 - Quite las puertas
 - Deje los estantes en su lugar para que los niños no puedan entrar con facilidad.
- 6) El aparato debe desconectarse antes de realizar mantenimiento del usuario en el dispositivo.
- 7) Este aparato puede ser utilizado por niños de al menos 8 años y por personas con discapacidades físicas, sensoriales o mentales, o con falta de experiencia y conocimientos, bajo supervisión o si han recibido instrucciones sobre cómo usar el dispositivo de manera segura y si comprenden los peligros implicados. Los niños no deben jugar con el aparato. Los niños no deben realizar la limpieza o el mantenimiento sin supervisión.
- 8) Si el componente está dañado, debe ser reemplazado por el fabricante, su agente de servicio técnico o persona similar calificada para evitar cualquier peligro.
- 9) Deseche el refrigerador de acuerdo con las normas locales ya que la unidad contiene refrigerante y gas inflamable.
- 10) Siga las normas locales con respecto a la eliminación del aparato debido al refrigerante inflamable y el gas. Todos los aparatos de refrigeración contienen refrigerantes que, bajo los lineamientos de la ley federal, deben ser eliminados antes de desecharlos. Es responsabilidad del consumidor cumplir con los reglamentos federales y locales al desechar este producto.
- 11) Este aparato está destinado al uso doméstico y en aplicaciones similares como:
 - áreas de cocina en tiendas, oficinas y otros entornos laborales;
 - casas rurales y para clientes en hoteles, moteles y otros entornos de tipo residencial;
 - entornos de tipo hospedaje;
 - servicios de comidas y otras aplicaciones no comerciales similares.
- 12) No almacene ni use gasolina o cualquier licor y líquidos inflamables dentro o en las proximidades del refrigerador.
- 13) No utilice alargadores con este aparato. Si el cable de alimentación es demasiado corto, haga que un electricista calificado instale un tomacorriente cerca del aparato. El uso de una extensión puede afectar negativamente el rendimiento de la unidad.



LAS INSTRUCCIONES IMPORTANTES DE LA SEGURIDAD

| | |
|--|--|
| ⚡ ADVERTENCIA ⚡ | Para reducir el riesgo de incendios, golpes de corriente o lesiones cuando utilice su aparato, sírvase tener en cuenta las siguientes recomendaciones básicas: |
| <ul style="list-style-type: none">• Lea atentamente todas las instrucciones antes de usar el aparato.• EI PELIGRO o ADVIRTIENDO: Riesgo de que los niños queden atrapados.• Para evitar este riesgo, sírvase observar las siguientes recomendaciones antes de lanzar fuera del aparato.<ul style="list-style-type: none">- Retire la tapa del aparato.- Deje los estantes en lugar de modo que los niños no puedan subir fácilmente adentro.• No deje que los niños usen el aparato, jueguen con él o se introduzcan en el interior.• Refrigerantes: Todos los productos de la refrigeración contienen los refrigerantes, que debajo de las pautas de la ley federal se deben quitar antes de la disposición del producto. Es la responsabilidad del consumidor conformarse con regulaciones federales y locales al disponer de este producto.• No limpie las partes del aparato con productos inflamables. Los vapores pueden originar un incendio o explosión.• No almacene ni use gasolina ni ningún otro gas o líquido inflamable cuando se encuentre cerca de este aparato u otro. Los vapores pueden originar un incendio o explosión. <p style="text-align: center;">-Excepto estas instrucciones-</p> | |

INSTRUCCIONES DE INSTALACIÓN

ANTES DE UTILIZAR SU APARATO

- Retire el material de embalaje del exterior e interior.
- Antes de conectar el aparato a la fuente de alimentación, déjelo en posición vertical durante 4 horas aproximadamente. De esta forma, se reducirá la posibilidad de mal funcionamiento del sistema de refrigeración debido a manipulación incorrecta durante el traslado.
- Limpie la superficie interior con agua tibia y paño suave. (Limpiando la instrucción en la página 11)

INSTALACIÓN INDEPENDIENTE

- Esta aplicación se diseña para ser **incorporada instalado o libremente el estar parado.**
- Ubique el aparato fuera de la luz directa del sol y otras fuentes de calor (horno, calentador, radiador, etc.). La luz directa del sol puede afectar la cubierta de acrílico y las fuentes de calor pueden aumentar el consumo eléctrico. La temperatura ambiente debajo de 55°F (12.8°C) o sobre 77°F (25°C) obstaculizará el funcionamiento de esta aplicación. **Esta unidad no se diseña para el uso en un garage o ninguna otra instalación exterior.**
- No coloque el Aparato en ambientes húmedos.
- Enchufe el Aparato en un toma corriente con la debida descarga a tierra utilizado exclusivamente para este aparato. No corte ni retire la tercera pata (descarga a tierra) del enchufe bajo ninguna circunstancia. Cualquier duda relacionada con la red de electricidad y/o la descarga a tierra debe resolverse con un electricista certificado o un centro de servicios autorizado. **Esta unidad no se diseña para ser instalada en un RV o para ser utilizada con un inversor.**
- Después de enchufar en el tomacorriente de pared, prende la unidad y permite la unidad enfríe durante 3 ó 4 horas antes de colocar alimentos en el interior.

INSTALACIÓN PARA EMPOTRAR

La dimensión del recorte ilustrada en la figura (a) permite el oscilación y el acceso de la puerta a los estantes de la retirada cuando está instalada como aplicación incorporada. Si instala entre los gabinetes frameless, tira ancha del llenador de un $\frac{1}{2}$ la "o el panel lateral puede ser necesario en lado de la bisagra. La tira del llenador actuará como espaciador entre la caja de la aplicación y el oscilación adyacente de la puerta de gabinete. La anchura de la abertura debe incluir los paneles del filtro.

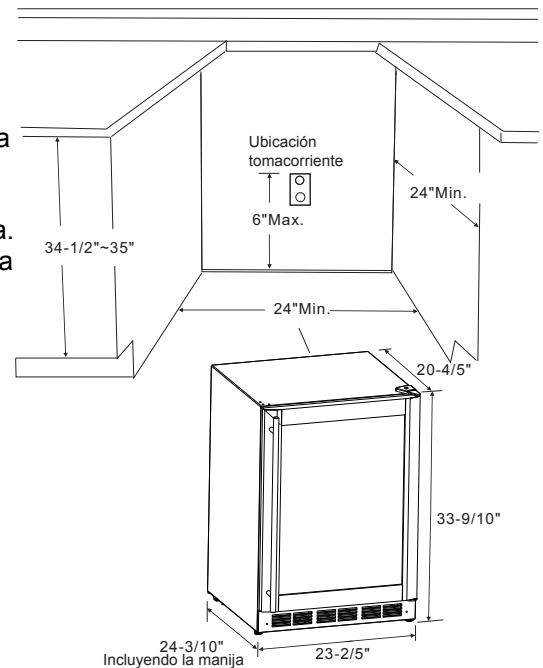


Figure A

La profundidad del recorte debe ser el 24".

NOTA:

- La puerta debe resaltar por lo menos el 1" más allá de los gabinetes circundantes.
- Si se desea la revocación de la puerta, siga por favor las instrucciones reversibles de la puerta en la página 9 de este manual antes de la instalación.

CONEXIÓN ELÉCTRICA

⚡ ADVERTENCIA ⚡

El uso indebido de la descarga a tierra puede causar golpes de corriente. Si el cable de alimentación está dañado, hágalo reemplazar con un service autorizado.

El aparato debe estar adecuadamente conectado a tierra para su seguridad. El cable de electricidad de este electrodoméstico cuenta con un enchufe de tres patas apto para los tomacorrientes de pared con tres patas para minimizar las posibilidades de golpes de corriente.

No corte ni retire la tercera pata de descarga a tierra del enchufe bajo ninguna circunstancia.

Este equipo debe conectarse a un toma corriente de tres patas con descarga a tierra instalado en una red estándar de electricidad con corriente 115 Volt A.C. ~/60Hz.

Este aparato no se diseña para ser utilizado con un inversor.

El cable debe mantenerse recogido detrás del Aparato; no debe dejarse a la vista ni colgando para prevenir accidentes.

No desenchufar tirando del cable. Tome el enchufe con firmeza y tire en dirección opuesta al receptáculo.

No utilice prolongaciones para conectar este aparato. Si el cable es muy corto, llame a un electricista o técnico calificado para que instale un toma corriente cerca del equipo. El uso de cables de prolongación puede perjudicar el funcionamiento de la unidad.

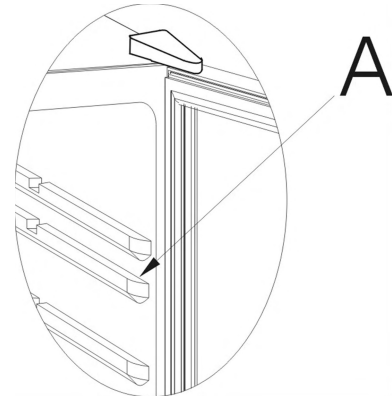
Si persisten algunos problemas con la aplicación, entre en contacto con por favor nuestro departamento del servicio de cliente para consultar con un representante en **888 775-0202** o visite nuestro Web site para solicitar servicio de la garantía en **www.mcpliance.com**.

CARACTERÍSTICA DEL APARATO

HMWC50ST: ENFRIADORA DE VINOS

Estantes Contratados Del Vino

- Hay cinco estantes del vino de profundidad completa en la parte superior del gabinete para almacenar las botellas del vino.
- La segunda guía de soporte (contada de tapa, vea la ilustración "A") no se diseña para los estantes del vino. Está solamente para el estante de la bebida.
- Todos los cinco superiores que el vino deja de lado tienen lengüetas para contratar el gabinete en ambos lados.
- Cualquiera del vino deja de lado se puede quitar para acomodar botellas más grandes.



Para quitar un estante:

- Quite todas las botellas de los estantes.
- Levante de lado hacia arriba y después sacan suavemente los estantes.

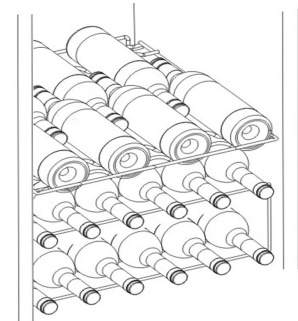
Para substituir un estante:

- Ponga los lados de los estantes detrás sobre las guías de soporte del gabinete y empuje detrás hasta que las lengüetas del estante resbalan dentro de lugar.

NOTA: Asegúrese de que las lengüetas estén contratadas firmemente a lugar antes de almacenar cualesquiera botellas.

Arreglo De la Botella

- Los cinco estantes superiores botellas de cada asimiento 8 con los cuellos de la botella que alternan el frente a la parte posteriora.
- El estante inferior, que consisten en dos historias, cada uno sostiene 6 botellas con los cuellos de la botella que hacen frente al frente.



HMBC58ST: ENFRIADORA DE BEBIDAS

Estantes Contratados Del Bebidas

- Hay tres estantes del acero de profundidad completa en la parte superior del gabinete para almacenar las botellas o latas.
- Los tres estantes de acero deja de lado tienen lengüetas para contratar el gabinete en ambos lados .
- Los estantes se pueden arreglar en cualquier guía de soporte según lo preferido.
- Cualquiera del acero deja de lado se puede quitar para acomodar botellas más grandes.

Para quitar un estante:

- Quite todas las botellas o latas de los estantes.
- Levante de lado hacia arriba y después sacan suavemente los estantes.



Para substituir un estante:

- Ponga los lados de los estantes detrás sobre las guías de soporte del gabinete y empuje detrás hasta que las lengüetas del estante resbalan dentro de lugar.

NOTA: Asegúrese de que las lengüetas estén contratadas firmemente a lugar antes de almacenar cualesquiera bebidas.

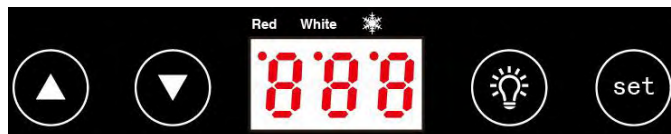
Advertencia:

- No press/empujón el ventilador de la circulación en el gabinete cuando usted coloca adentro o quita las latas o las botellas de la bebida.
- Almacene correctamente sus bebidas de modo que las latas o las botellas no obstaculicen la circulación de aire dentro del gabinete.

OPERAR SU APARATO

HMWC50ST: ENFRIADORA DE VINOS

- La gama de temperaturas de funcionamiento del control de la temperatura del enfriadora del vino es del 41°F (4°C) ~ 64°F (18°C), +/- 5°F
- Recomendaciones De la Temperatura:
 - Vino Rojo: 54°F ~ 61°F (12°C ~ 16°C)
 - Vino blanco: 43°F ~ 50°F (6°C ~ 10°C)
- La exhibición indica la temperatura media de la aplicación en el momento.



Preestablezca Las Zonas Del Vino

- Presione el ▲ o los cojines ▼ a elegir preestablecen las condiciones de almacenaje para el vino blanco rojo o. (la luz de indicador "RED" o "WHITE" iluminará por consiguiente.)
- La temperatura programada para el vino blanco rojo o será exhibida por algunos segundos.

Ajuste Manual De la Temperatura

- La temperatura del enfriadora del vino se puede fijar dondequiera entre 41°F el ~ 64°F (5°C ~ 18°C) por temperatura acuciante para arriba ▲ y de la temperature ▼ pads abajo como sigue:
 - 1) Presione [SET] el cojín hasta que usted oye un sonido de la "señal sonora" (aproximadamente 2 segundos).
 - 2) Presione ▲ ▼ cojines para aumentar o para disminuir la temperatura deseada en incrementos de un grado.
 - 3) Presione [SET] el cojín para confirmar su ajuste deseado de la temperatura. Si no se presiona ningún cojín en el plazo de 10 segundos, su ajuste selecto de la temperatura será confirmado automáticamente.

NOTA:

- Para seleccionar la exhibición de la temperatura entre centígrado (°C) o Fahrenheit (el °F), presione "▲" cojín por aproximadamente 2 segundos.

HMBC58ST: ENFRIADORA DE BEBIDAS

- La gama de temperaturas de funcionamiento del control de la temperatura del enfriadora del bebidas es del 37°F (3°C) ~ 54°F (12°C), +/- 5°F.
- La exhibición indica la temperatura media de la aplicación en el momento.



Ajuste NORMAL De la Temperatura

- Cuando se enciende (con.) la aplicación, o se presiona el cojín ▲ , la aplicación funciona en el ajuste de la temperatura de 45°F (7°C).

Ajuste Manual De la Temperatura

- La temperatura del enfriadora del bebidas se puede fijar dondequiera entre 37°F el ~ 54°F (3°C ~ 12°C) por temperatura acuciante para arriba ▲ y de la temperature ▼ pads abajo como sigue:
 - 1) Presione [SET] el cojín hasta que usted oye un sonido de la "señal sonora" (aproximadamente 2 segundos).
 - 2) Presione ▲ ▼ cojines para aumentar o para disminuir la temperatura deseada en incrementos de un grado.
 - 3) Presione [SET] el cojín para confirmar su ajuste deseado de la temperatura. Si no se presiona ningún cojín en el plazo de 10 segundos, su ajuste selecto de la temperatura será confirmado automáticamente.

NOTA:

- Para seleccionar la exhibición de la temperatura entre centígrado (°C) o Fahrenheit (el °F), presione "▲" cojín por aproximadamente 2 segundos.

Lo que sigue es aplicable a HMWC50ST y a HMBC58ST:

- El indicador ❄️ permanecerá ENCENDIDO durante ciclo de refrigeración y estará APAGADO durante ciclo ocioso.
- Para cambiar el CON./DESC. ligero interior, presione 🏠 el cojín.

CAMBIAR LA LUZ INTERNA

Antes de quitar la bombilla, dé vuelta apagado al Aparato primero y después desenchufe la unidad del enchufe de pared. La falta de hacer tan podía dar lugar a choque eléctrico o a daños corporales.

- Quite los dos tornillos que fijan la caja de control. Manteniendo la caja de control, desconecte el LED que conecta al PCB principal.
- Quite dos tornillos para quitar la fila de LED.
- Reemplacelo por una fila de LED nuevo y conectelo al PCB principal.
- Fije la fila de LED y la reinstalar la caja de control.

Importante: El reemplazo de lámpara LED sólo puede ser realizada por un técnico autorizado

DESCONGELAMIENTO AUTOM TICO

No hay necesidad de la descongelación manual de esta aplicación debido a la función de descongelación automática.

- La acumulación de hielo en la pared trasera interna durante la operación del compresor será descongelada automáticamente una vez que el ciclo del compresor esté apagado.
- Descongele el agua drenará fuera de pasar a través del enchufe del dren en la pared trasera interna en una cacerola del dren situada sobre el compresor, de donde se evapora.

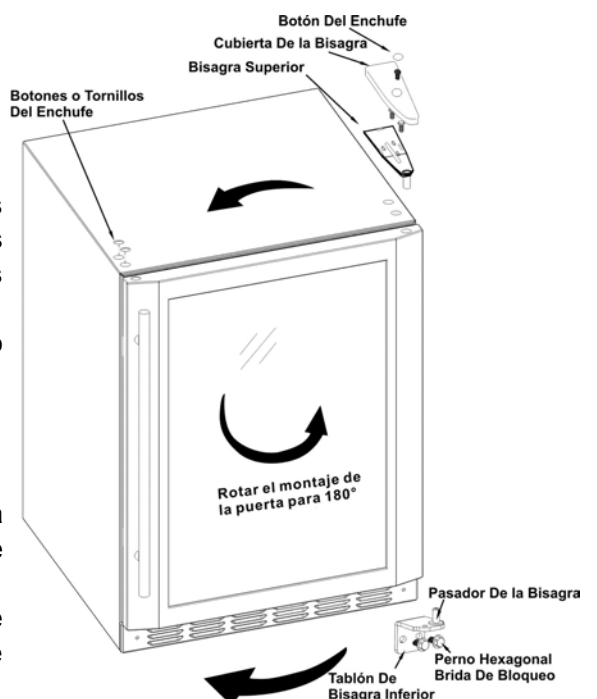
CAMBIAR LA PUERTA REVERSIBLE

Esta aplicación se construye con una puerta reversible. Usted tiene la opción de la abertura él del derecho izquierdo o. Para invertir la dirección de abertura de su puerta, siga por favor estas instrucciones simples.

NOTA: Si está deseado, cambie por favor el oscilación de la puerta antes de la instalación de la aplicación.

Precaución: Para evitar daños corporales a se y/o a la característica, recomendamos altamente que alguien ayuda usted durante el proceso de la revocación de la puerta.

- 1) Quite el montaje de bisagra superior y guárdelos para un uso más último.
- 2) Desmontar el tablón de bisagra inferior quitando 2 tornillos hexagonales de la brida de bloqueo . Desenroscar el eje de articulación de la viga de bisagra y volver a atornillarlo en el otro agujero en la tabla y guardarla para su uso posterior.
- 3) Quite los botones del enchufe de los agujeros izquierdos superiores y transfíralos a los agujeros destapados en el derecho. Sea seguro presionar los botones del enchufe firmemente en el agujero.
- 4) Reinstale el montaje de bisagra superior quitado previamente en el paso 1 en el lado opuesto.
- 5) instalar el tablón de bisagra inferior (con el pasador de bisagra en el agujero opuesto) extraído anteriormente en el paso 2 en el lado opuesto.
- 6) Reinstale el montaje de la puerta con la manija de la puerta en el lado opuesto. (rotando el montaje 180° de la puerta).
- 7) Asegúrese de que el montaje de la puerta esté alineado correctamente con el gabinete antes de apretar los tornillos.



CUIDE Y LA CONSERVACION

PARA LIMPIAR SU APARATO

- Una vez finalizada la instalación, se recomienda una limpieza completa de la unidad.
- Dé vuelta apagado al aparato primero y después desenchufe la unidad del enchufe de pared.
- Quite todo el contenido.
- Limpie el interior con un paño humedecido en una solución de agua tibia y bicarbonato de soda. La solución se prepara con aproximadamente 2 cucharadas de bicarbonato de soda y un cuarto de agua.
- Recuerde mantener limpia la junta de la puerta (burlete) para que la unidad funcione correctamente.
- La parte exterior del aparato se debe limpiar con una solución de agua tibia y detergente suave.
- Seque el interior y exterior con paño suave.
- El polvo o cualquier cosa que bloquea el respiradero puede obstaculizar la eficacia que se refresca del enfriadora del vino. Limpie el respiradero con la aspiradora en caso de necesidad.

EN LAS VACACIONES

- Dé vuelta apagado al aparato primero y después desenchufe la unidad del enchufe de pared.
- Quite todo el contenido.
- Limpie el aparato.
- Deje la puerta apenas abierta para evitar la posible formación de condensación, moho u olores.
- Vacaciones cortas: Deje el aparato en funcionamiento durante los períodos de vacaciones que no superen las tres semanas.
- Vacaciones largas: Si el electrodoméstico no se usa durante varios meses, retire todos los alimentos y desconecte de la red de electricidad. Limpie y seque cuidadosamente el interior. Para evitar la formación de olores y humedad, deje la puerta apenas abierta: si es necesario, trábela para que se mantenga abierta o retire la puerta.

PARA CAMBIAR DE LUGAR SU APARATO

- Dé vuelta apagado al aparato primero y después desenchufe la unidad del enchufe de pared.
- Quite todo el contenido.
- Asegure con cinta adhesiva los elementos sueltos en el interior del aparato.
- Asegure la puerta con cinta adhesiva.

RECOMENDACIONES PARA AHORRAR ENERGÍA

- El aparato se debe ubicar en el lugar más fresco de la habitación, alejado de las fuentes de calor y de caños de calefacción, y protegido de la luz del sol directa.
- Asegúrese de que la puerta sea cerrada cuando se gira el refrigerador del vino.

GUÍA DE RESOLUCIÓN DE PROBLEMAS

Usted puede resolver muchos de los inconvenientes comunes que se producen con el aparato y ahorrarse el costo de llamar al servicio de mantenimiento. Intente las sugerencias a continuación para ver si puede resolver los problemas antes de llamar al service.

| PROBLEMA | CAUSA POSIBLE |
|---|---|
| El aparato no funciona. | No está enchufado. Se activó el corta corriente o se quemó un fusible. |
| La temperatura del interior del aparato es muy elevada. | El control de temperatura está fijado a una temperatura muy elevada. Fije el control a una temperatura más baja y deje que la temperatura se estabilice durante varias horas. La puerta estuvo mucho tiempo abierta o se abrió con mucha frecuencia. Cada vez que se abre el aparato entra aire caliente. Abra la puerta con menos frecuencia. La puerta no está completamente cerrada. La junta de la puerta no ajusta lo suficiente. El aparato estuvo últimamente desconectado durante un período de tiempo. Se requieren 4 horas para que el aparato se enfríe completamente. |
| La temperatura del interior del aparato es muy baja. | El control de temperatura está fijado a una temperatura muy baja. Fije el control a una temperatura más elevada y deje que la temperatura se estabilice durante varias horas. |
| Vibraciones. | Verifique que el aparato esté sobre una superficie nivelada. El aparato está tocando la pared. Vuelva a nivelar y retirar de la pared. Si ocurre la vibración continuada, dé vuelta apagado al refrigerador del vino y desenchufe el enchufe de energía. Entre en contacto con el departamento del servicio de cliente para la ayuda adicional. |
| Se forma humedad en las paredes interiores del aparato | La puerta está apenas abierta. La puerta está mucho tiempo abierta o se abre con mucha frecuencia. Abra la puerta con menos frecuencia. La junta de la puerta no ajusta lo necesario. |
| Se forma humedad en las paredes externas del aparato | La puerta está apenas abierta y el aire frío del interior se combina con el aire tibio del exterior. |
| La puerta no cierra convenientemente. | El aparato no está en una superficie nivelada. La junta está sucia. |

GARANTÍA

GARANTÍA LIMITADA

MC Appliance Corporation garantiza que cada nueva "Centro de bebidas y vinos" carecen de defectos de materiales ni de mano de obra y acepta reparar cualquier defecto o proporcionar un repuesto nuevo, a discreción de la compañía, de cualquier parte de la unidad que presente haya fallado durante el período de garantía. Los gastos de repuestos y mano de obra está cubiertos para esta unidad durante un período de un año a partir de la fecha de compra. Es necesario presentar una copia del recibo o factura de compra con fecha para obtener los servicios de la garantía, el reemplazo o el reembolso.

Además MC Appliance Corporation autoriza el compresor (piezas solamente) para estar libre de defectos en material y la ejecución por un período de cinco años. El consumidor es responsable de todo el trabajo y los costos del transporte relacionados con la diagnosis y el reemplazo del compresor después de las uno garantías inicial del año han expirado. Si en el acontecimiento la unidad requiere el reemplazo o el reembolso bajo términos de esta garantía el consumidor es responsable de todos los costos del transporte volver la unidad a nuestra fábrica antes de recibir una unidad o un reembolso del reemplazo. Un reembolso o reemplazo será emitido a la discreción del MC Appliance Corporation.

Esta garantía cubre los electrodomésticos en usen dentro de los Estados Unidos contiguos, Alaska, Hawái y Puerto Rico. Esta garantía no cubre lo siguiente:

- Daños ocurridos durante el transporte o debidos a una instalación inadecuada
- Daños debidos a uso indebido o abuso
- Punturas al sistema del evaporador debido a la descongelación incorrecta de la unidad.
- Pérdida de los contenidos debido a falla de la unidad
- Reparaciones efectuadas por agentes de servicio no autorizados
- Llamados al servicio de reparación que no se deban a fallas de materiales o mano de obra, como instrucciones sobre el uso adecuado del producto o instalación inadecuada
- Cambio o reprogramación de fusibles o interruptores de circuitos eléctricos en el hogar
- Falla del producto si se utiliza para otros fines fuera de los específicos
- Costos de disposición por toda unidad fallada no devuelta a la fábrica
- Costos de envío/instalación incurridos como resultado de una unidad que no funciona según lo especificado
- Gastos de viaje y transporte para el servicio del producto si el aparato está ubicado en un lugar remoto donde el servicio de un técnico autorizado no está disponible
- El retiro y la instalación nueva del aparato si la instalación está en un lugar inaccesible o no está instalado según las instrucciones de instalación publicadas
- Los reintegros por productos que no tienen reparación se limitan al precio pagado por la unidad según el recibo de compra
- Esta garantía es intransferible. Esta garantía es válida exclusivamente para el comprador original y no se extiende a ningún otro propietario o propietarios subsiguientes.

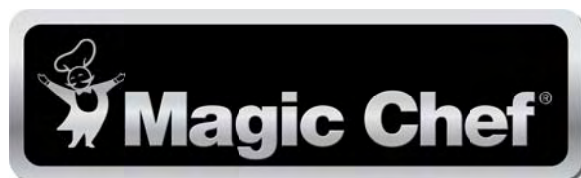
LIMITACIONES DE RECURSOS Y EXCLUSIONES

La reparación del producto según los términos del presente es su recurso único y exclusivo bajo esta garantía limitada. Todas y cualquier garantía implícita, incluida la comerciabilidad y aptitud para un fin particular se limitan por la presente a un año o el período menor autorizado por la ley. MC Appliance Corporation no es responsable de los daños incidentales o contingentes y ningún representante o persona está autorizada a asumir en nombre nuestro ninguna responsabilidad en relación con la venta de este producto. Bajo ninguna circunstancia el consumidor puede devolver esta unidad a la fábrica sin contar con la autorización previa por escrito de MC Appliance Corporation.

Algunos estados prohíben la exclusión o limitación de los daños incidentales o contingentes o las limitaciones o garantías implícitas. Esta garantía le da derechos legales específicos y pueden corresponder otros derechos que varíen de un estado a otro.

| Modelo | Partes y trabajo | Compresor (partes solamente) | Tipo de servicio |
|----------|------------------|------------------------------|------------------|
| HMWC50ST | Un año | Cinco años | En su casa |
| HMBC58ST | Un año | Cinco años | En su casa |

Para solicitar servicio o ayuda llame al **888-775-0202**, o visítenos en **www.mcappliance.com** para solicitar el servicio de la garantía o pedir repuestos.



CNA International, Inc. realiza negocios bajo el nombre de MC Appliance Corporation. Derechos reservados.

Magic Chef® es una marca registrada de CNA International, Inc.

www.mcappliance.com

Impreso en China