

This Owner's Manual is provided and hosted by [Appliance Factory Parts](#).



Norpole NPCIM90B Owner's Manual

[Shop genuine replacement parts for Norpole
NPCIM90B](#)



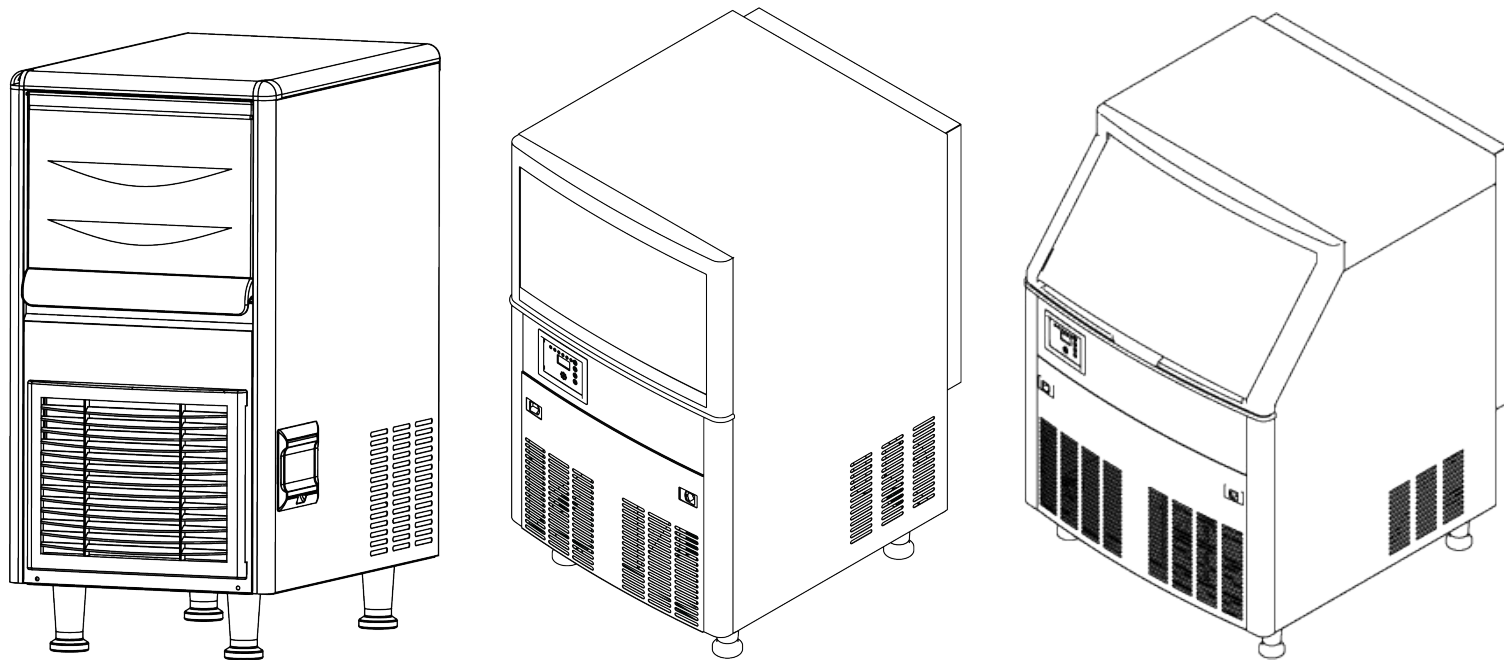
[Find Your Norpole Refrigerator Parts - Select From 78 Models](#)

----- Manual continues below -----

norpole[®]

Commercial Undercounter Ice Maker

User's Manual



Models: NPCIM90B, NPCIM120H, NPCIM160H, NPCIM210, NPCIM280

READ THIS MANUAL CAREFULLY BEFORE USING YOUR COMMERCIAL ICE MAKER AND KEEP IT FOR FUTURE REFERENCE.

NORPOLE

PRODUCT REGISTRATION

Thank you for purchasing a Norpole Commercial product. The first step to protect your new product is to complete the product registration on our website: <https://mcappliance.com/product-registration>. The benefits of registering your product include the following:

1. Registering your product will allow us to contact you regarding a safety notification or product update.
2. Registering your product will allow for more efficient warranty service processing when warranty service is required.
3. Registering your product could act as your proof of purchase in the event of insurance loss.

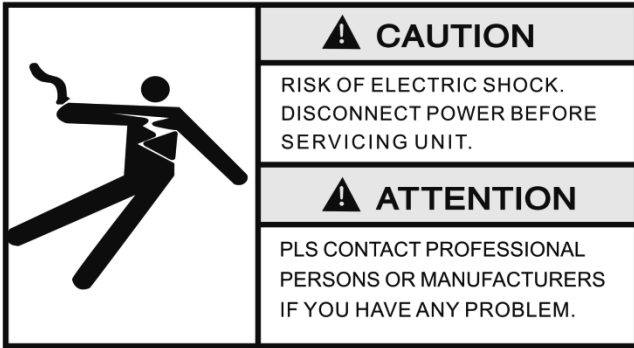
Once again, thank you for purchasing a Norpole Commercial product.

TABLE OF CONTENTS

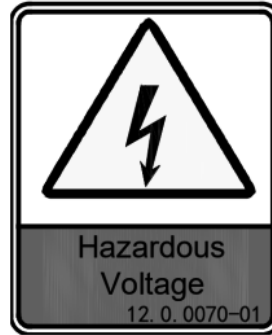
REGISTRATION	2
IMPORTANT INFORMATION	4
IMPORANT SAFETY INSTRUCTIONS	5
SPECIFICATIONS.....	7
INSTALLATION INSTRUCTIONS.....	8
OPERATION INSTRUCTIONS.....	10
CARE AND MAINTENANCE.....	12
TROUBLESHOOTING	14
WARRANTY	16

Important Information

Please pay attention to the following warning labels on the ice maker:



The label indicates a hazardous voltage. There is a risk of electric shock.



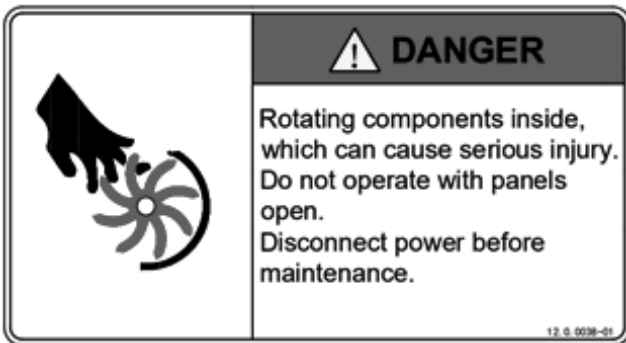
The label indicates a hazardous voltage. There is a risk of electric shock.



The label indicates a flammable foaming agent “Cyclopentane” used. There is a risk of fire.



The label indicates a flammable refrigerant “R290” used. There is a risk of fire.



The label indicates rotating components inside. There is a risk of serious mechanical injury.

Instruction of symbols in this Manual

- Warning sign, special attention is required.
- Warning sign, special attention is required, and operation is prohibited.

IMPORTANT SAFETY INSTRUCTIONS

WARNING

Hazards or unsafe practices which COULD result in severe personal injury or death.

CAUTION

Hazards or unsafe practices which COULD result in minor personal injury or property damage.

1. Read all instructions before using the appliance.
2. **CAUTION:** Installation, maintenance and repair should only be performed by certified professionals. Improper installation could result in serious harm or death and may void your warranty.
3. This unit may not be used in any outdoor or unregulated environment.
4. Any self-modification, improper installation, adjustment or maintenance can lead to property loss or casualty. Please contact customer service for any adjustment or maintenance, and have the work done by a trained & qualified person.
5. To minimize shock and fire hazards, be sure not to overload the outlet or circuit. Please designate one outlet for the unit.
6. DO NOT install the ice machine in a wet or easily splashed location.
7. The power supply for this unit must be properly grounded with leakage protection.
8. DO NOT ground the ice machine by connecting to a gas pipe, water pipe, telephone line or lightning rods, etc..
9. **WARNING:** DO NOT insert or pull out the plug with wet hands.
10. The power cord is equipped with a 3-prong grounding plug to protect against shock hazards. ALWAYS plug cord into a properly installed and grounded 3-prong wall receptacle. Refer to the manufactures rating label for electrical and other technical data specific to this unit.
11. DO NOT modify or cut the power cord, or use any other cord or plug. DO NOT use an extension cord.
12. This appliance should not be operated by anyone that is not able to follow proper safety procedures or does not have experience with this type of equipment, unless under close supervision. Keep children away from the device.
13. DO NOT allow children to play in or on the ice maker.
14. **WARNING:** DO NOT store anything flammable or explosive in or near the unit.
15. DO NOT insert any objects into ventilation or exhaust ports, or serious mechanical injury may occur due to rotating components in the unit.
16. DO NOT connect the ice maker to hot water.
17. DO NOT store or freeze any food in the ice machine.
18. ALWAYS make sure the unit is installed on a floor capable of supporting its weight when full. Failure to do so can cause the unit to tip, leading to injury or damage to the unit.
19. The unit must be installed in a location where there is plenty of space for ventilation around it.
20. ALWAYS unplug the unit if it is not being used for long periods.
21. If the unit malfunctions or is damaged in any way, immediately turn off and disconnect the power, and have the unit inspected by qualified personnel.
22. ALWAYS unplug the unit and remove all water and ice before cleaning, repair, or maintenance.
23. DO NOT allow water to splash directly onto the unit during cleaning, repair, or maintenance to avoid damaging electric components.
24. Flammable foaming agents are used for the insulation process. Be sure to dispose of and recycle the unit properly.
25. **WARNING:** DO NOT put your hands or feet under the unit when moving it.
26. **CAUTION:** DO NOT hang on the doors.

READ AND FOLLOW THIS SAFETY
INFORMATION CAREFULLY SAVE THESE
INSTRUCTIONS



For the ice maker with flammable refrigerant R290:

- DANGER - RISK OF FIRE OR EXPLOSION. FLAMMABLE REFRIGERANT USED. DO NOT USE MECHANICAL DEVICES TO DEFROST REFRIGERATOR. DO NOT PUNCTURE REFRIGERANT TUBING.
- DANGER – RISK OF FIRE OR EXPLOSION. FLAMMABLE REFRIGERANT USED. TO BE REPAIRED ONLY BY TRAINED SERVICE PERSONNEL. DO NOT PUNCTURE REFRIGERANT TUBING.
- CAUTION – RISK OF FIRE OR EXPLOSION. FLAMMABLE REFRIGERANT USED. CONSULT REPAIR MANUAL/OWNER'S GUIDE BEFORE ATTEMPTING TO SERVICE THIS PRODUCT. ALL SAFETY PRECAUTIONS MUST BE FOLLOWED.
- CAUTION – RISK OF FIRE OR EXPLOSION. DISPOSE OF PROPERLY IN ACCORDANCE WITH FEDERAL OR LOCAL REGULATIONS. FLAMMABLE REFRIGERANT USED.
- CAUTION – RISK OF FIRE OR EXPLOSION DUE TO PUNCTURE OF REFRIGERANT TUBING; FOLLOW HANDLING INSTRUCTIONS CAREFULLY. FLAMMABLE REFRIGERANT USED.

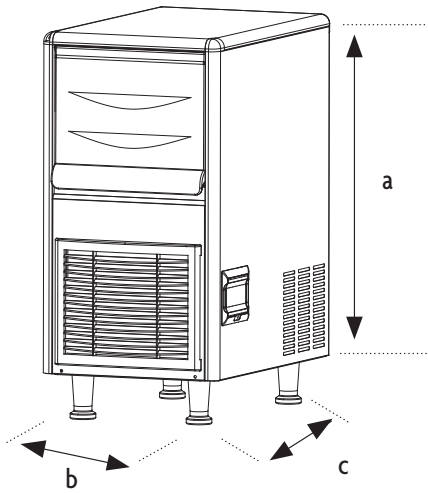
General

The ice machine is fully automatic. With proper installation and connection to potable water and power source, the ice making will start properly. When the ice cubes fill up the ice bin, the machine will automatically stop. The ice machine is generally used in the following and similar occasions:

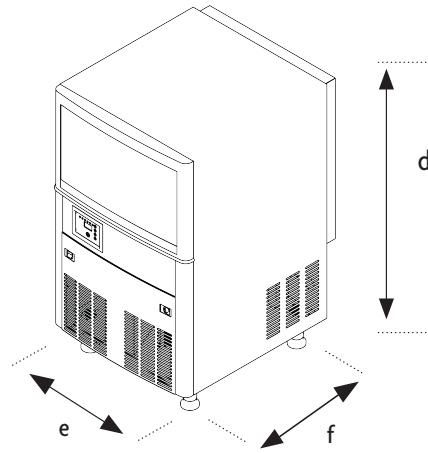
- The kitchen area of a store, office or other workplace;
- Farm, hotel, car hotel and restaurant;
- Catering and similar non-retail occasions;
- This ice machine is not intended for used at home.

SPECIFICATIONS

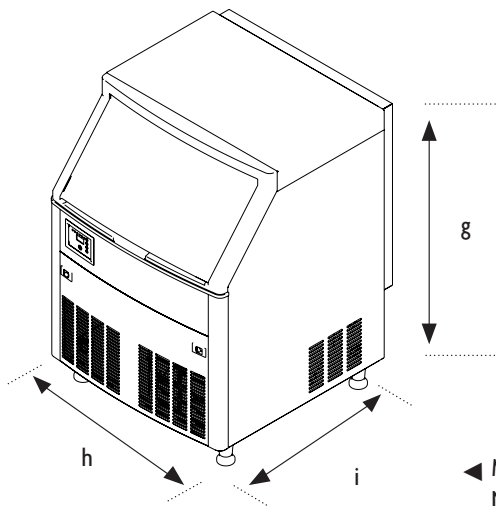
Figure 1



▲ Model NPCIM90B



▲ Model NPCIM120H



◀ Model NPCIM160H,
NPCIM210, NPCIM280

- a. 30.0" (762mm)
- b. 14.8" (375mm)
- c. 22.6" (575mm)
- d. 33.5" (850mm)
- e. 19.7" (500mm)
- f. 23.2" (590mm)
- g. 38.2" (970mm)
- h. 26.0" (660mm)
- i. 27.0" (685mm)

Model	Dimensions (LxWxH) Inches (mm)	Ice Making Capacity	Bin Capacity	Weight
NPCIM90B	14.8" x 22.6" x 30.0" (375 x 575 x 762 mm)	90 lbs. (41 kg)/ 24 hr	33 lbs. (15 kg)	77.2 lbs. (35 kg)
NPCIM120H	19.7" x 23.2" x 33.5" (500 x 590 x 850 mm)	120 lbs. (54 kg)/ 24 hr	40 lbs. (18 kg)	99.2 lbs. (45 kg)
NPCIM160H	26.0" x 27.0" x 38.2" (660 x 685 x 970 mm)	160 lbs. (73 kg)/ 24 hr	80 lbs. (36 kg)	121.3 lbs. (55 kg)
NPCIM210	26.0" x 27.0" x 38.2" (660 x 685 x 970 mm)	210 lbs. (95 kg)/ 24 hr	80 lbs. (36 kg)	127.9 lbs. (58 kg)
NPCIM280	26.0" x 27.0" x 38.2" (660 x 685 x 970 mm)	280 lbs. (127 kg)/ 24 hr	80 lbs. (36 kg)	132.3 lbs. (60 kg)

INSTALLATION

CAUTION: Read all instructions before installing

INSTALLATION LOCATION

The ice maker should be installed in a proper location meeting the following conditions:

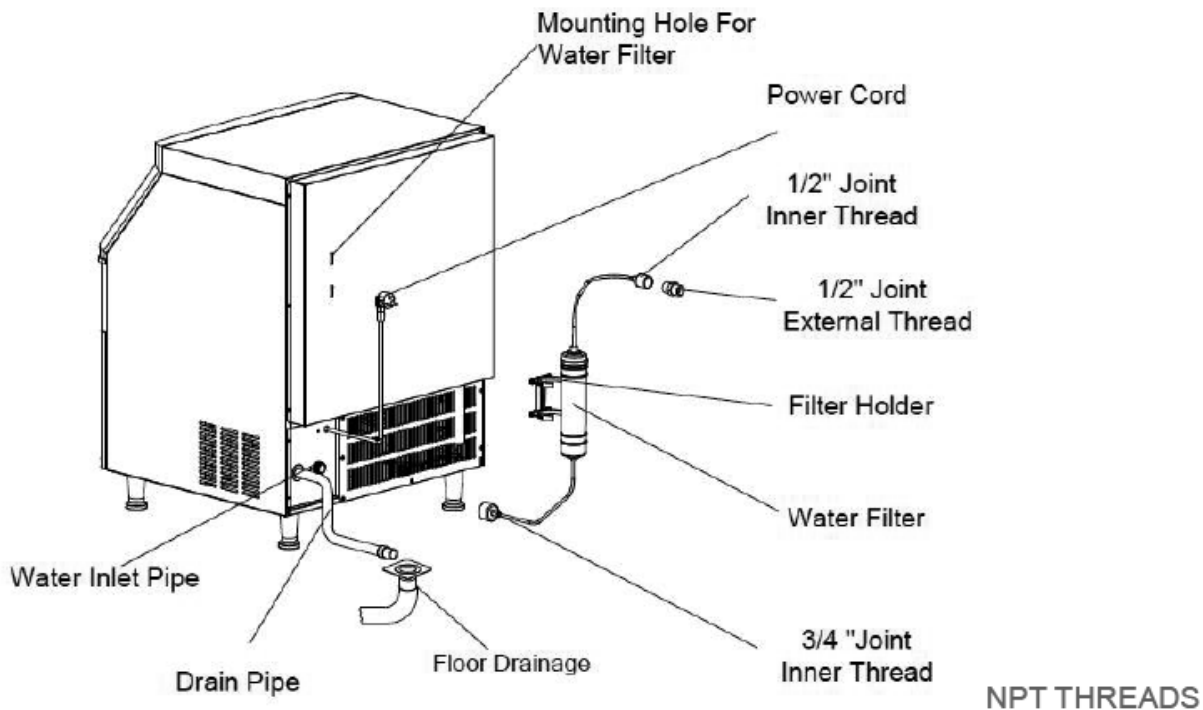
- Indoors, not more than 6,560 ft (2,000 meters) above sea level.
- Ambient temperature: 40° - 104°F (5-40°C). For optimal ice making performance, operate in ambient temperatures between 60°F - 80°F (16°C - 27°C).
- Properly installed and grounded power supply that matches the rated voltage indicated on the machine nameplate.
- Water source: potable water, with water pressure from 1.3 Bar to 5.5 Bar; water temperature: 40° - 95°F (5-35°C). For optimal ice making performance, operate with water temperature between 45°F - 55°F (7°C - 13°C)
- The ice machine should be kept away from heat sources, and should not be used in an extremely high or low temperature environment, and away from direct sunlight.
- The ice machine must be placed on a floor sufficient to support its weight when filled with water or ice.
- The electrical outlet for the ice maker must be properly grounded and with leakage protection;
- Proper floor drainage must be provided near the installation location of the ice machine.

ELECTRICAL SUPPLY

ALWAYS make sure that the unit is plugged into a properly installed and grounded dedicated outlet that meets the requirements listed on the ratings label and that has appropriate overcurrent protection. Voltage that is too high or too low can detrimentally affect the operation of, or damage, the unit.

DO NOT modify or cut the power cord, or use any other plug or an extension cord.

INSTALLATION SCHEMATIC



INSTALLING THE ICE MAKER

1. Verify that the unit is in good condition and all parts and accessories are present. Check the model and serial number on the label and write them down for reference.
2. Open the bin door and remove the packaging tape from the ice thickness sensor and the flap. They are used to avoid possible damage during transportation only.
3. Clean the ice bin and the food area inside with a sponge soaked in warm water and soda. Then wash and dry it with potable water.
4. Place the ice machine in the operation area; ensure that the machine is placed on a leveled floor. So as to ensure the water flows evenly on the evaporator.
5. The compressor chamber is located below the front of ice bin. The compressor and condenser are installed in it. It requires good ventilation. Therefore, the front and rear of the ice maker must have ventilation space of more than 8-12 in.(20-30cm).
6. The bottom of the ice machine is equipped with adjustable legs for level adjustment and floor cleaning. Use these to make sure the ice maker is level.
7. Connect the machine's inlet water filter and water pipe referring to the schematic diagram of installation; if the installation site is already equipped with a water filtration system, the filter may not be needed.



NOTE: Make sure to install the filter so the water is flowing in the direction noted on the filter head cover or filter body.



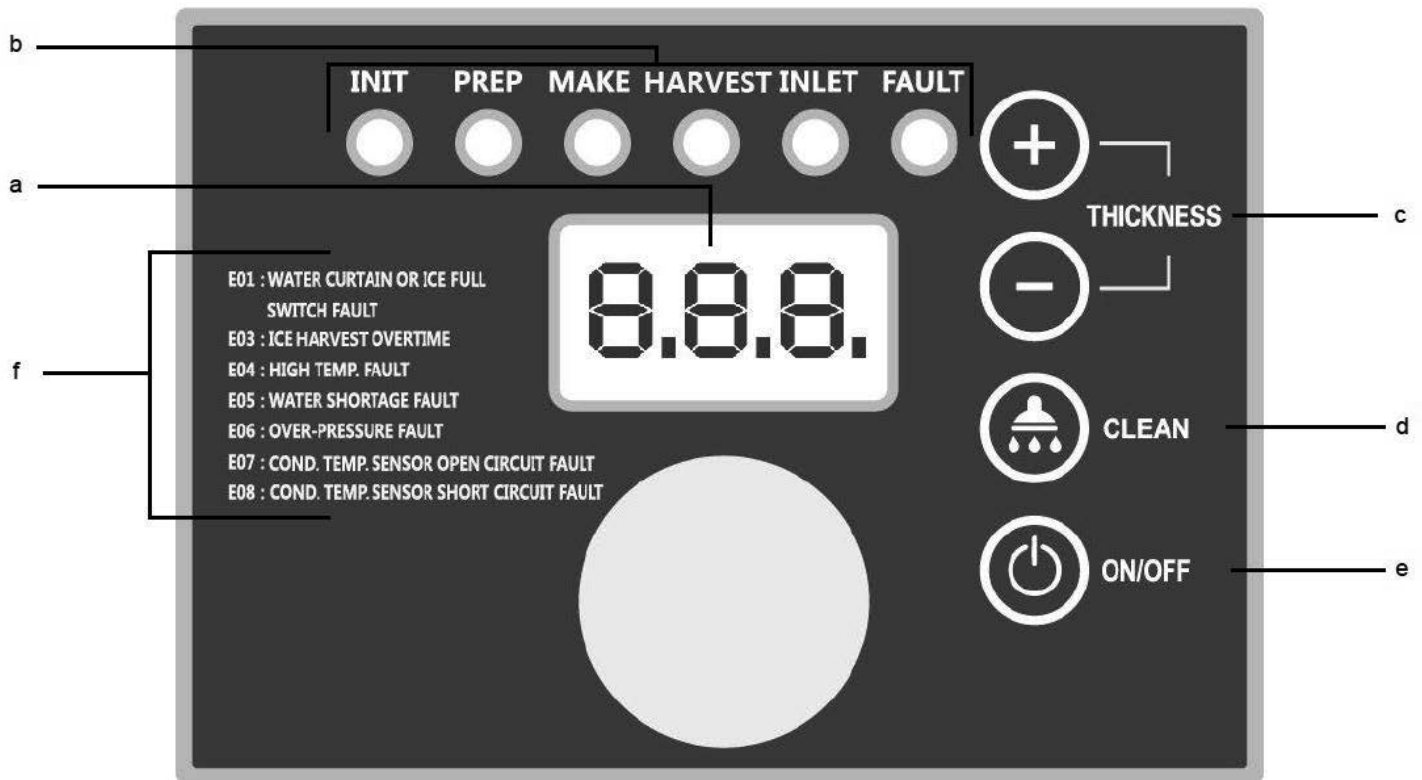
NOTE: This machine is equipped with an inlet water filter. The filter will remove impurities from the water used as the machine is running. Generally, it needs to be replaced every month to every 3 months.

8. Connect the machine to the water supply using the 3/4" inlet pipe supplied with the machine. It is recommended to install a water valve (not supplied with this machine) on the water supply line.
9. No part of the drain pipe should be higher than the drain port on the unit, and must not have any inclines.
10. Confirm that all power requirements stated on the ratings label are met, and that the unit is connected to a properly installed, working and grounded circuit breaker.
11. Make sure the power switch is 'Off' before connecting the ice maker to the power supply.

OPERATION

After installation, connect the water source and turn on the power supply, and the machine will come on and start working. Please confirm that the machine is operating normally when you turn it on for the first time.

CONTROL PANEL AND DISPLAY



a. LED Display: Will give information regarding the ice making cycle or errors.

- INIT: Self-check. Display will show ini
- Prep: Display will count up in seconds while the unit prepares to start.
- Make: Shows progress of the ice making process. Will count the seconds up while the water temperature is decreased, and then count down to show the ice making process.
- Ice Harvest: Counts the seconds for the ice harvesting.
- Cleaning: Will display "CLE" while cleaning and descaling, 'STL' during sterilization, and 'rin' for rinsing.

b. LED indicators show the current process the ice maker is in.

c. Ice Cube Thickness adjustment: During the ice making process, press and hold the "-" button for 3 seconds, then press "+" or "-" to change the thickness of the ice being made.

⚠ NOTE: Pushing the "+" or "-" button extends or shortens the ice making time by 1.5 minutes.

d. Cleaning: During operation, press the cleaning button for 3 seconds to start the cleaning process. As the display shows the steps of the process, cleaning agents and disinfectants will need to be added to the water trough. When the cleaning process is completed, the unit will return to the ice making mode.

e. ON/OFF: When the unit is connected to a power supply, press the "ON/OFF" button to turn the unit on or off.

⚠ NOTE: ALWAYS turn the ice maker off and disconnect from the power supply for maintenance, or when not using for a long period.


f. Error Codes: If there is a problem with the ice making process, the LED Display will show an error code indicating the issue. See chart in the Troubleshooting section for additional information.

STARTUP AND OPERATION

1. Before starting up the ice maker, please check and confirm the following:
 - All packing materials have been removed.
 - All accessories have been removed from the ice bin.
 - The unit is properly leveled.
 - The water pipe is securely connected and the valve is open.
 - The plug is properly connected to the power supply outlet and the unit's power switch is in the 'Off' position.
 - The ambient temperature, water temperature, and water pressure meet the requirements.
2. Turn the power switch to the 'On' position to start the ice maker. Once turned on, the unit will automatically begin making ice.
3. For normal operation of the unit, confirm the following:
 - There is water in the water trough and no overflow is occurring.
 - The pump is working properly and water is flowing evenly on the evaporator.
 - The compressor is running normally, the temperature of the evaporator and the ice making water is gradually decreasing.
 - For air cooled machines, verify the fan is running normally, and there is stable air flow in the inlet and outlet of the ice machine.
 - There are no abnormal noises or vibrations.

It takes about 10 to 20 minutes to make one batch ice, depending on the ambient temperature and the temperature of the water. The higher the temperature is, the longer the ice making will take.

When you turn the power switch 'On', the unit will run a self check and pump any water out of the system. The inlet valve will then open and the water trough will fill up with water and the unit will pre-cool the evaporator for about 30 seconds. Water then flows over the evaporator to be frozen into ice cubes, which are then dropped in the Harvest cycle when the defrost valve turns on allowing hot gas to flow into the evaporator, freeing the ice to drop.

 **WARNING:** DO NOT put your hand into the ice bin while the ice is dropping.

When the ice bin is filled to the point where the ice sliding board cannot return to its normal position, the ice making process will stop until the ice has either melted enough to let the board fall into position, or ice is removed from the bin. Once the bin is clear, the ice making process will resume.

CARE AND MAINTENANCE

⚠ NOTE: Maintenance must be done by a qualified service technician.

⊘ WARNING: Before maintenance or cleaning can be performed, the water supply should be shut off and the unit should be disconnected to the power supply.

EXTERIOR CLEANING

ALWAYS make sure to keep the area around the ice maker clean, and that nothing is blocking the vents. Clean the exterior of the unit with a mild detergent and wipe clean. If necessary, use a commercial stainless steel cleaner or polish.

⚠ NOTE: Stainless steel may rust without proper care and maintenance.

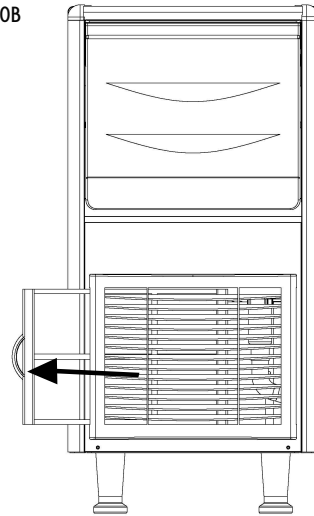
INTERIOR CLEANING

Clean the inside of the ice bin with clean, potable water and wipe as needed.

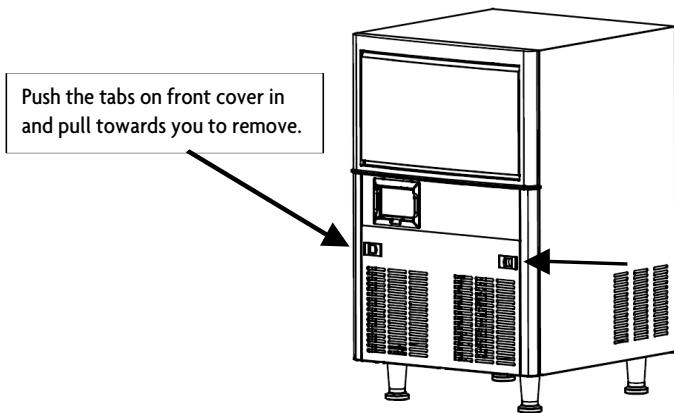
For the air-cooled ice maker, the condenser should be cleaned every three weeks. Use a soft brush or a vacuum cleaner with a brush to brush it up and down along the fin direction, to avoid damage to the fins and further affecting the cooling effect. The condenser filter should be removed and carefully cleaned every 2 weeks.

⚠ NOTE: Be careful when doing the condenser cleaning as the edges of the fins are sharp.

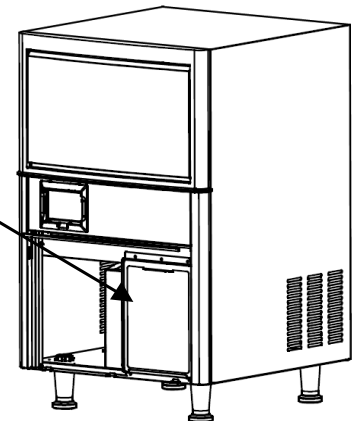
Model NPCIM90B



Models: NPCIM120H, NPCIM160H, NPCIM210, NPCIM280



Pinch the tongue on the filter screen and pull to remove filter for cleaning or replacement.



INLET WATER FILTER

The filter should be inspected regularly and replaced every 1-3 months based on usage and water quality.


WATER PIPE


To ensure food safety, the water pipe should be cleaned regularly.

WINTERING


If the unit is not going to be used for a long period or stored away, turn off the water and disconnect from the power supply. Clean the interior and exterior of the unit, and be sure to drain all water from the water trough, inlet pipe, and drain pipe.

CLEAN FUNCTION

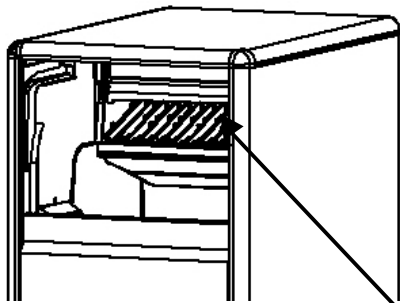
 **NOTE:** ALWAYS empty the ice bin and make sure there is no ice on the evaporator before running the cleaning function.

 **NOTE:** ALWAYS clean and sterilize the ice bin, ice sliding board, water distribution pipe, water supply pipe, and water pump, then rinse completely.

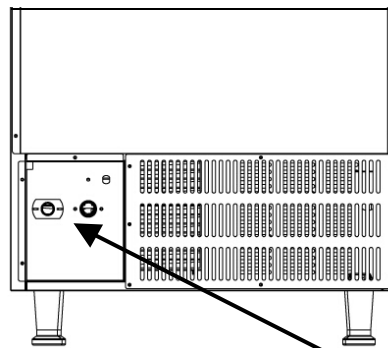
- Turn on the ice maker and push the “Clean” button for 3 seconds. Put the proper amount of commercial ice maker cleaning or descaling solution into the water trough manually per the products instructions, let it sit there for about 1 minute, then push the 'Clean' button again. The ice maker will enter the cleaning process and will run an auto clean cycle for about 15 minutes. Spray the evaporator with some solution while this is running to ensure complete cleaning. When finished, the “Clean” LED will flash slowly.
- Manually put sterilization solution into the water trough per the product instructions and press the “Clean” button again. The process will run about 15 minutes. Be sure to spray some of the solution onto the evaporator while this is running to ensure complete sterilization.

 **NOTE:** Be sure to use a sterilization solution specifically meant for commercial ice makers

- When sterilization is complete, the unit will enter a rinsing cycle that lasts about 5 minutes. This will repeat 5 times.
- When the entire cleaning cycle is complete, the unit will go back into the ice making mode. Allow it to make 5 batches of ice, and be sure to dispose of these first 5 batches after cleaning. It is recommended that the ice maker be cleaned and maintained at least every 4 weeks. Failure to do so may result in the unit malfunctioning. The maintenance of the ice machine or malfunctions due to improper maintenance are not covered by the manufacturer's warranty.



Put cleaner in front right side of tank



Cleaners are discharged from the outlet

TROUBLESHOOTING

Before requesting any service on your unit, please check the following points:

1. Check the water supply:
 - Verify that there is water in the water trough.
 - Make sure the water pressure is between 1.3-5.5 bar, and the water temperature is between 41-95°F (5-35°C).
 - Make sure the water valve is open and there are no leaks.
2. Check the power supply:
 - Check the display to verify that that unit is turned on.
 - Verify that power to the outlet is on, that the outlet is good, and the plug is properly connected.

Use the following table to try to diagnose common issues. Please note that this guide serves only as a reference for solutions to common problems. If a service call is needed, be sure to obtain the model and serial number before calling customer service.

Symptom	Possible Cause	Corrective Action
Not working	Power switch not on	Turn on the power switch
	Plug is loose	Verify plug is securely connected to a working outlet
Indicator is 'Off'	Power switch not on	Turn on the power switch
	Plug is loose	Verify plug is securely connected to a working outlet
Display shows 'E04' high temperature error code	The ambient temperature is too high	Make sure the unit is installed somewhere with an ambient temperature of 41-104°F (5-40°C)
	Condenser is dirty or blocked	Clean the condenser and make sure nothing is blocking air flow
	Fan is not running	Make sure nothing is blocking the fan from running.
Display shows 'E06' High pressure error code	High pressure switch wires disconnected	Check and connect the wires on the high pressure switch
Not defrosting	Ambient temperature too low	Make sure the unit is installed somewhere with an ambient temperature of 41-104°F (5-40°C)
	Defrost valve does not start normally	Check the defrost valve, correct issues if found
	Ice is too thin or too thick	Check the ice thickness setting
Poor transparency of ice cubes; ice cubes too thin or incomplete	Ice thickness too thin	Check the ice thickness setting
	Water pressure too low	Verify that the water supply pressure is 1.3 Bar to 5.5 Bar
	Water temperature too high	Make sure the water temperature is between 41-95°F (5-35°C)
	Water inlet valve does not work	Check the water inlet valve and correct any issues
	Water leaking	Check all water connections and tighten as needed
	Water inlet filter has not been replaced for a long time	Replace the filter
Ice making process too slow	Condenser or air filter is dirty	Clean the condenser and filter or replace filter
	Ambient temperature too high	Make sure the unit is installed somewhere with an ambient temperature of 41-104°F (5-40°C)
	Not enough ventilation air flow	Make sure there is adequate space around unit
	Water temperature too high	Make sure the water temperature is between 41-95°F (5-35°C)
Making noise	Unit is not level or on a level surface	Make sure unit is correctly installed and leveled

DISPLAY ERROR CODES

If the display shows any of these codes, check the unit before calling for customer service.

CODE	CAUSE	MODE
E01	Water Curtain or Ice Full Switch Fault	Sleep mode. Unit will recover after water curtain is reset.
E03	Ice Harvest Overtime	Sleep Mode
E04	High Temperature Fault	Sleep Mode
E05	Water Shortage Fault	Sleep Mode. Unit will retry every 30 minutes.
E06	Over-Pressure Fault	Sleep Mode
E07	Condenser Temperature Sensor Open Circuit Fault	Keep Working
E08	Condenser Temperature Sensor Short Circuit Fault	Keep Working

NORPOLE

LIMITED WARRANTY

Norpole, Inc. warrants each new Commercial Ice Maker to be free from defects in material and workmanship and agrees to remedy any such defect or to furnish a new part(s) (at the company's option) for any part(s) of the unit that has failed during the warranty period. Parts and labor expenses are covered on this unit for a period of one year from the date of purchase.

In addition, Norpole, Inc. warrants the compressor (parts only) to be free from defects in material and workmanship for a period of 5 years. The consumer is responsible for all labor and transportation expenses related to the diagnosis and replacement of the compressor after the initial three-year warranty expires. In the event that the unit requires replacement or refund under the terms of this warranty, the consumer is responsible for all transportation expenses to return the unit to our factory prior to receiving a replacement unit or refund. A refund or replacement will be issued at the discretion of Norpole, Inc.. A copy of the dated sales receipt/invoice is required to receive warranty service or a refund.

This warranty covers appliances in use within the contiguous United States, Alaska, Hawaii and Puerto Rico. The warranty does not cover the following:

- Damages due to shipping damage or improper installation.
- Damages due to misuse or abuse.
- Punctures to the evaporator system due to improper defrosting of the unit.
- Content losses due to failure of the unit.
- Inside components such as the shelves, etc.
- Repairs performed by unauthorized service agents.
- Service calls that do not involve defects in material and workmanship, such as instructions on proper use of the product or improper installation.
- Replacement or resetting of fuses or circuit breakers.
- Failure of this product if used for purposes other than its intended purpose.
- Disposal costs for any failed unit not returned to our factory.
- Any delivery or installation costs incurred as the result of a unit that fails to perform as specified.
- Expenses for travel and transportation for product service if your appliance is located in a remote area where service by an authorized service technician is not available.
- The removal and reinstallation of your appliance if it is installed in an inaccessible location or is not installed in accordance with published installation instructions.
- Refunds for non-repairable products are limited to the price paid for the unit per the sales receipt or invoice.
- This warranty is non-transferable. This warranty applies only to the original purchaser and does not extend to any subsequent owners.

LIMITATIONS OF REMEDIES AND EXCLUSIONS

Product repair in accordance with the terms herein, is your sole and exclusive remedy under this limited warranty. Any and all implied warranties including merchantability and fitness for a particular purpose are hereby limited to three years or the shortest period allowed by law. Norpole, Inc. is not liable for incidental or consequential damages and no representative or person is authorized to assume for us any other liability in connection with the sale of this product. Under no circumstances is the consumer permitted to return this unit to the factory without the prior written consent of Norpole, Inc.

Some states prohibit the exclusion or limitation of incidental or consequential damages, or limitations on implied warranties. This warranty gives you specific legal rights, and you may also have other rights which vary from state to state.

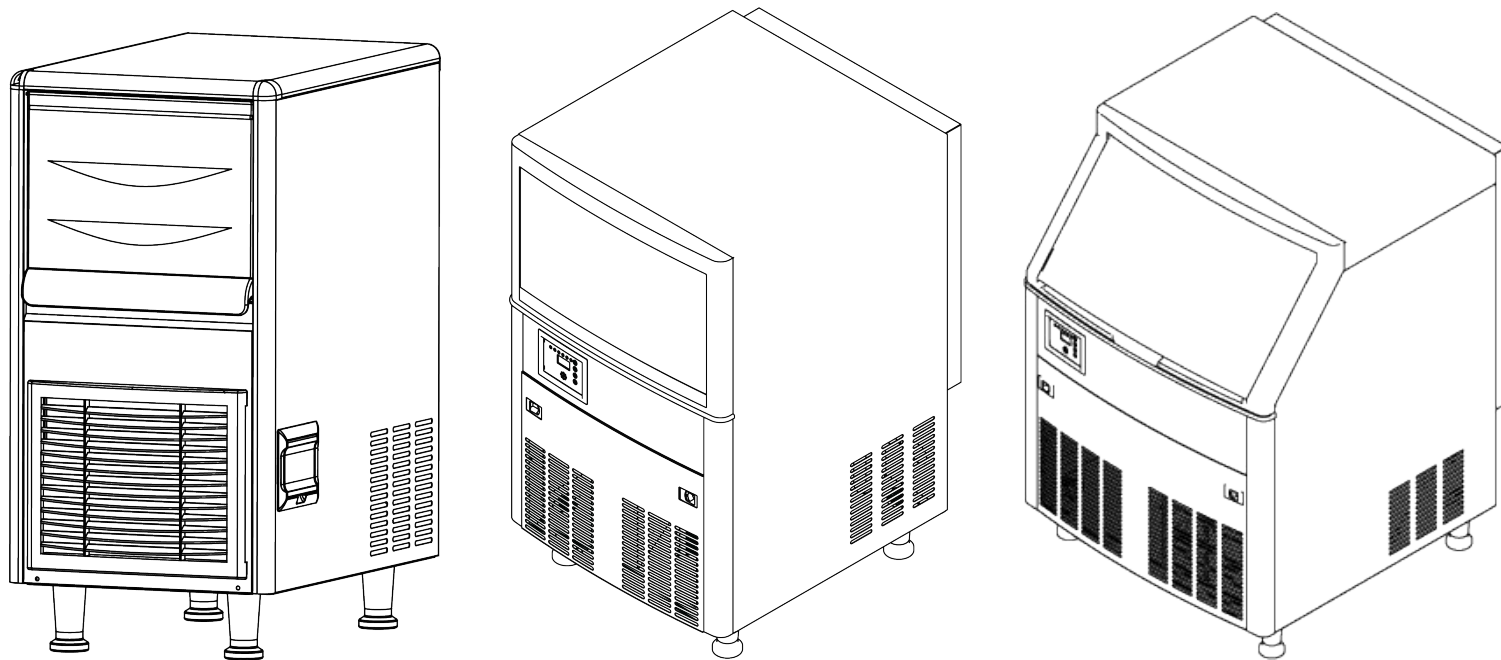
Model	Parts & Labor	Compressor (Part Only)	Type of Service
NPCIM90B, NPCIM120H, NPCIM160H, NPCIM210, NPCIM280	1 Year	5 Years	In-Field

For Service or Assistance please call 888-775-0202 or visit us on the web at <https://mcappliance.com/product-registration>.

norpole[®]

Máquina de hielo comercial, bajo mostrador

Manual del usuario



Modelo: NPCIM90B, NPCIM120H, NPCIM160H, NPCIM210, NPCIM280

**LEA ATENTAMENTE ESTE MANUAL ANTES DE USAR LA MÁQUINA DE HIELO COMERCIAL Y
CONSERVELO PARA FUTURAS REFERENCIAS.**

NORPOLE

REGISTRO DEL PRODUCTO

Gracias por comprar un producto Norpole Commercial. El primer paso para proteger su nuevo producto es completar el registro del producto en nuestro sitio Web: <https://mcappliance.com/product-registration>. Beneficios de registrar este producto:

1. El registro del producto nos permitirá contactarlo con relación a un aviso de seguridad o actualización del producto
2. El registro del producto nos permitirá procesar con más eficiencia el servicio de garantía cuando este servicio sea requerido.
3. El registro del producto puede servir como prueba de compra en el caso de pérdida cubierta por el seguro.

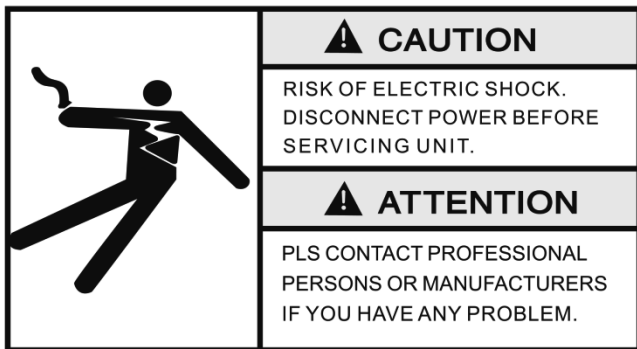
Una vez más, gracias por comprar un producto Norpole Commercial.

CONTENIDO

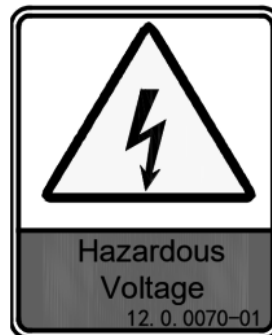
REGISTRO	18
INFORMACIÓN IMPORTANTE	20
INSTRUCCIONES DE SEGURIDAD IMPORTANTES	21
ESPECIFICACIONES	23
INSTRUCCIONES DE INSTALACIÓN	24
INSTRUCCIONES DE OPERACIÓN	26
CUIDADO Y MANTENIMIENTO	28
SOLUCIÓN DE PROBLEMAS	30
GARANTÍA	32

Información importante

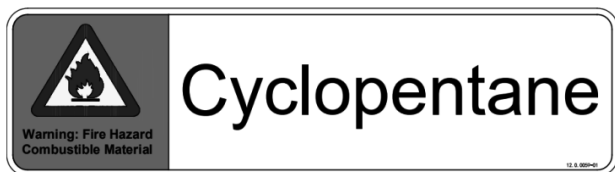
Preste atención a las siguientes etiquetas de advertencia en la máquina de hielo:



La etiqueta indica tensión peligrosa. Riesgo de descarga eléctrica.



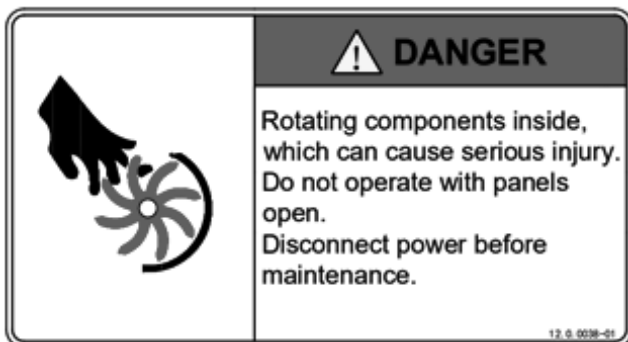
La etiqueta indica tensión peligrosa. Riesgo de descarga eléctrica.



La etiqueta indica un agente espumante inflamable. Se utiliza "ciclopentano". Riesgo de incendio.



La etiqueta indica que se usa el refrigerante inflamable "R290". Riesgo de incendio.



La etiqueta indica componentes giratorios en el interior. Riesgo de lesiones mecánicas graves.

Instrucción de los símbolos en este manual.

- Signo de advertencia: es necesario prestar especial atención.
- Signo de advertencia: es necesario prestar especial atención y se prohíbe la operación.

INSTRUCCIONES DE SEGURIDAD IMPORTANTES

ADVERTENCIA

Peligros o prácticas inseguras que PODRÍAN provocar lesiones personales graves o la muerte.

PRECAUCIÓN

Peligros o prácticas inseguras que PODRÍAN provocar lesiones personales leves o daños materiales.

1. Lea todas las instrucciones antes de utilizar el aparato.
2. **PRECAUCIÓN:** La instalación, el mantenimiento y la reparación solo deben ser realizados por profesionales certificados. La instalación incorrecta podría causar lesiones graves o la muerte, y puede anular la garantía.
3. Este equipo no se deberá usar al aire libre ni en ambientes sin regulación.
4. Cualquier modificación que realice por su cuenta, instalación incorrecta, ajuste o mantenimiento puede provocar pérdidas materiales o accidentes graves. Comuníquese con el servicio de atención al cliente si necesita hacer cualquier ajuste o mantenimiento y deje que el trabajo lo realice una persona capacitada y calificada.
5. Para minimizar los riesgos de electrocución e incendio, asegúrese de no sobrecargar el tomacorriente ni el circuito. Designe un tomacorriente específico para el equipo.
6. NO instale la máquina de hielo sobre un lugar mojado o que se moje con facilidad.
7. El suministro eléctrico de este equipo debe estar correctamente conectado a tierra con protección contra fugas.
8. NO haga una toma a tierra de la máquina de hielo conectándola a una tubería de gas, agua, teléfono o pararrayos, etc.
9. **ADVERTENCIA:** NO inserte ni tire del enchufe con las manos mojadas.
10. El cable de alimentación está provisto con un enchufe de 3 puntas con toma a tierra para proteger contra los riesgos de descargas eléctricas. Enchufe SIEMPRE el cable en un receptáculo de pared de 3 puntas adecuadamente instalado y conectado a tierra. Consulte la etiqueta de clasificación de los fabricantes para obtener información eléctrica y otros datos técnicos específicos de este equipo.
11. NO modifique ni corte el cable de alimentación ni utilice ningún otro cable o enchufe. NO utilice un cable de extensión.
12. Este aparato no debe ser operado por alguien que no pueda seguir los procedimientos de seguridad adecuados o sin experiencia con este tipo de equipos, a menos que sea bajo atenta supervisión. Mantenga el dispositivo lejos del alcance de los niños.
13. NO permita que los niños jueguen con la máquina de hielo ni encima de ella.
14. **ADVERTENCIA:** NO coloque nada inflamable o explosivo dentro o cerca del equipo.
15. NO inserte ningún objeto en los orificios de ventilación o escape, ya que los componentes giratorios en el interior del equipo pueden causar lesiones mecánicas graves.
16. NO conecte la máquina de hielo al agua caliente.
17. NO almacene ni congele alimentos en la máquina de hielo.
18. SIEMPRE asegúrese de que el equipo esté instalado en un piso capaz de soportar su peso cuando esté lleno. No seguir estas instrucciones podría hacer volcar el equipo, causando lesiones personales o daños a el equipo.
19. El equipo debe ser instalado en un sitio con suficiente espacio para ventilación a su alrededor.
20. SIEMPRE desenchufe el equipo cuando no se utilice durante largos períodos de tiempo.
21. Si el equipo funciona mal o está dañado, apáguelo, desconecte la alimentación de inmediato y hágalo inspeccionar por personal calificado.
22. SIEMPRE desenchufe el equipo y retire toda el agua y el hielo antes de limpiarlo, repararlo o darle mantenimiento.
23. NO permita que salpique agua directamente sobre el equipo durante la limpieza, reparación o mantenimiento para evitar dañar los componentes eléctricos.
24. Para el proceso de aislamiento se emplean agentes espumantes inflamables. Asegúrese de desechar y reciclar debidamente el equipo.
25. **ADVERTENCIA:** NO coloque las manos ni los pies debajo del equipo al moverlo.
26. **PRECAUCIÓN:** NO se cuelgue de las puertas.

LEA Y SIGA ESTA
INFORMACIÓN DE SEGURIDAD
CUIDADOSAMENTE. GUARDE ESTAS
INSTRUCCIONES



Para la máquina de hielo con refrigerante inflamable R290:

- PELIGRO: RIESGO DE INCENDIO O EXPLOSIÓN. SE UTILIZA REFRIGERANTE INFLAMABLE. NO UTILIZAR DISPOSITIVOS MECÁNICOS PARA DESCONGELAR EL REFRIGERADOR. NO PINCHAR LA TUBERÍA REFRIGERANTE.
- PELIGRO: RIESGO DE INCENDIO O EXPLOSIÓN. SE UTILIZA REFRIGERANTE INFLAMABLE. SÓLO PUEDE SER REPARADO POR PERSONAL CAPACITADO DEL SERVICIO TÉCNICO DE MANTENIMIENTO. NO PINCHAR LA TUBERÍA REFRIGERANTE.
- PRECAUCIÓN: RIESGO DE INCENDIO O EXPLOSIÓN. SE UTILIZA REFRIGERANTE INFLAMABLE
- CONSULTE EL MANUAL DE REPARACIONES O LA GUÍA DEL PROPIETARIO ANTES DE REALIZAR EL SERVICIO DE MANTENIMIENTO DEL PRODUCTO. DEBEN SEGUIRSE TODAS LAS PRECAUCIONES DE SEGURIDAD.
- PRECAUCIÓN: RIESGO DE INCENDIO O EXPLOSIÓN. ELIMINAR DE FORMA CORRECTA, DE CONFORMIDAD CON LAS REGLAMENTACIONES FEDERALES O LOCALES. SE HA USADO REFRIGERANTE INFLAMABLE.
- PRECAUCIÓN: RIESGO DE INCENDIO O EXPLOSIÓN EN CASO DE PINCHADURAS DE LA TUBERÍA REFRIGERANTE; SIGA DETENIDAMENTE LAS INSTRUCCIONES DE MANIPULACIÓN. SE UTILIZA REFRIGERANTE INFLAMABLE.

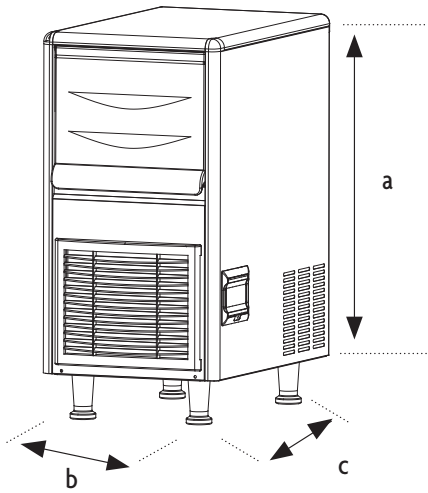
Generalidades

La máquina de hielo es completamente automática. Con una instalación y conexión adecuadas a agua potable y suministro eléctrico, la fabricación de hielo comenzará correctamente. Cuando los cubos llenan el depósito de hielo, la máquina se detendrá automáticamente. La máquina de hielo se utiliza generalmente en las siguientes ocasiones y similares:

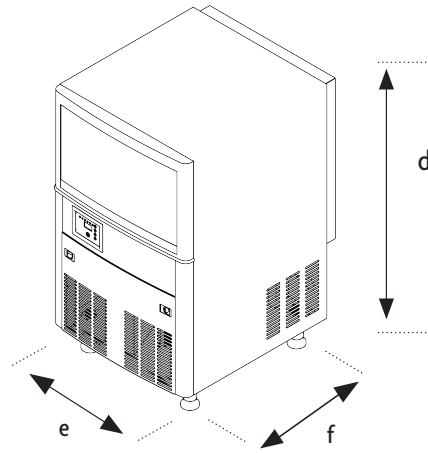
- La zona de cocina de una tienda, oficina u otro sitio de trabajo;
- Granja, hotel, motel y restaurante;
- Catering y servicios similares no minoristas;
- Esta máquina de hielo no ha sido diseñada para uso doméstico.

ESPECIFICACIONES

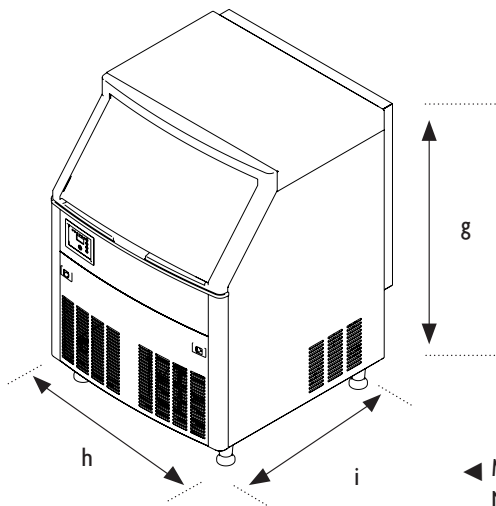
Figure 1



▲ Modelo NPCIM90B



▲ Modelo NPCIM120H



◀ Modelo NPCIM160H,
NPCIM210, NPCIM280

- a. 30.0" (762mm)
- b. 14.8" (375mm)
- c. 22.6" (575mm)
- d. 33.5" (850mm)
- e. 19.7" (500mm)
- f. 23.2" (590mm)
- g. 38.2" (970mm)
- h. 26.0" (660mm)
- i. 27.0" (685mm)

Modelo	Dimensiones (LxWxH) Pulg. (mm)	Capacidad de fabricación de hielo	Capacidad del depósito de hielo	Peso
NPCIM90B	14.8" x 22.6" x 30.0" (375 x 575 x 762 mm)	90 lbs. (41 kg)/ 24 hr	33 lbs. (15 kg)	77.2 lbs. (35 kg)
NPCIM120H	19.7" x 23.2" x 33.5" (500 x 590 x 850 mm)	120 lbs. (54 kg)/ 24 hr	40 lbs. (18 kg)	99.2 lbs. (45 kg)
NPCIM160H	26.0" x 27.0" x 38.2" (660 x 685 x 970 mm)	160 lbs. (73 kg)/ 24 hr	80 lbs. (36 kg)	121.3 lbs. (55 kg)
NPCIM210	26.0" x 27.0" x 38.2" (660 x 685 x 970 mm)	210 lbs. (95 kg)/ 24 hr	80 lbs. (36 kg)	127.9 lbs. (58 kg)
NPCIM280	26.0" x 27.0" x 38.2" (660 x 685 x 970 mm)	280 lbs. (127 kg)/ 24 hr	80 lbs. (36 kg)	132.3 lbs. (60 kg)

INSTALACIÓN

PRECAUCIÓN: Lea todas las instrucciones antes de instalar.

LUGAR DE INSTALACIÓN

La máquina de hielo debe instalarse en un lugar adecuado que cumpla las siguientes condiciones:

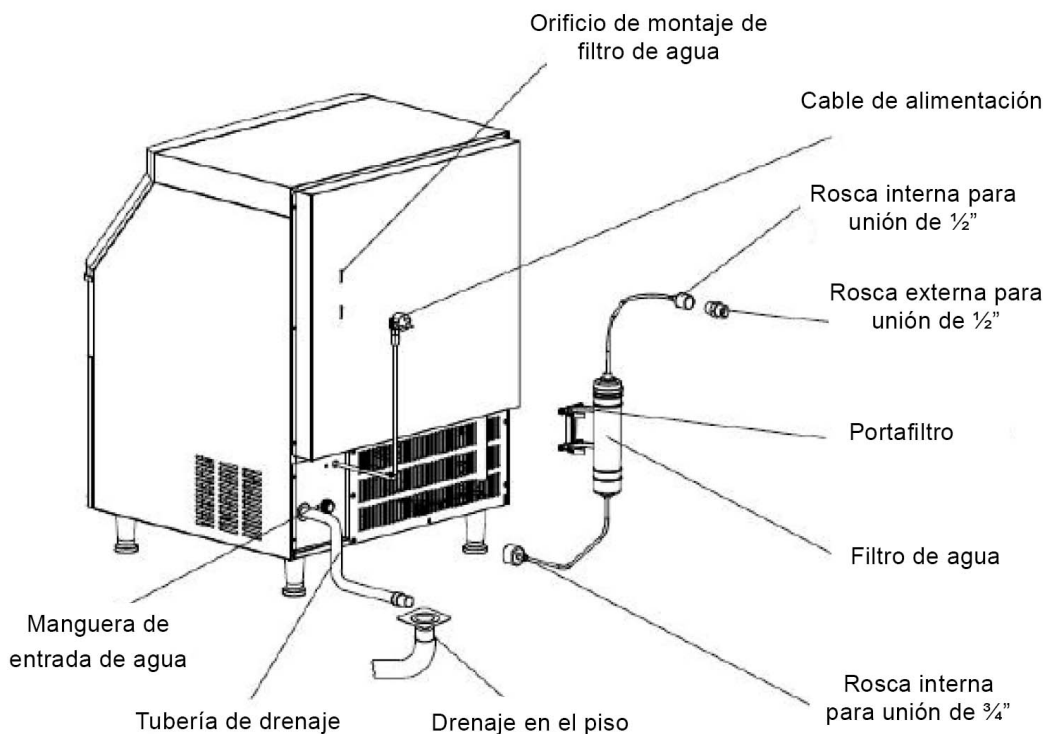
- La máquina de hielo debe instalarse en un lugar adecuado que cumpla las siguientes condiciones:
- En interiores, no más de 6.560 pies (2.000 metros) sobre el nivel del mar.
- Temperatura ambiente: 40°–104 °F (5–40 °C). Para un rendimiento óptimo, la máquina de hielo se deberá hacer funcionar a una temperatura ambiente de 60°–80 °F (16–27 °C).
- Suministro eléctrico, correctamente instalado y conectado a tierra, que coincida con la tensión nominal indicada en la placa de identificación de la máquina.
- Fuente de agua: agua potable, con una presión entre 1.3 bares y 5.5 bares; temperatura del agua: 40°–95 °F (5–35 °C). Para un rendimiento óptimo, la máquina de hielo se deberá hacer funcionar a una temperatura ambiente de 45°–55 °F (7–13 °C).
- La máquina de hielo debe mantenerse alejada de fuentes de calor y de la luz solar directa; además no debe usarse con temperatura ambiente extremadamente alta o baja.
- La máquina de hielo debe colocarse en un piso capaz de soportar su peso cuando está llena con agua o hielo.
- El tomacorriente para la máquina de hielo debe estar bien conectado a tierra y con protección contra fugas;
- Se debe proporcionar un drenaje adecuado del piso cerca del lugar donde se instale la máquina de hielo.

SUMINISTRO ELÉCTRICO

SIEMPRE asegúrese de que el equipo esté enchufado en un tomacorriente bien instalado y conectado a tierra, que cumpla con los requisitos de tensión indicados en la etiqueta de especificaciones eléctricas y que tenga una adecuada protección por sobrecorriente. Cuando la tensión es muy alta o muy baja, puede afectar la operación e incluso dañar el equipo.

NO modifique ni corte el cable de alimentación, así como tampoco utilice otro enchufe o cable de alimentación.

ESQUEMA DE INSTALACIÓN



NPT THREADS

INSTALACIÓN DE LA MÁQUINA DE HIELO

1. Verifique que el equipo esté en buenas condiciones y que todas las piezas y accesorios estén presentes. Verifique el modelo y el número de serie en la etiqueta y tome nota de ellos para referencia.
2. Abra la puerta del depósito de hielo y retire la cinta de embalaje del sensor de espesor de hielo y la solapa. Solamente se utilizan para evitar posibles daños durante el transporte.
3. Limpie el interior del depósito de hielo y del área de alimentos con una esponja empapada en agua tibia y bicarbonato. Luego lave y seque con agua potable.
4. Coloque la máquina de hielo en el lugar donde funcionará y corrobore que esté sobre el piso nivelado. Esto sirva para que el agua fluya de manera uniforme en el evaporador.
5. La cámara del compresor está debajo de la parte delantera del depósito de hielo. El compresor y el condensador vienen instalados allí. Debe tener buena ventilación. Por lo tanto, las partes delantera y posterior de la máquina de hielo deben tener un espacio para ventilación superior a 8–12 pulg. (20–30 cm).
6. La parte inferior de la máquina de hielo está equipada con patas ajustables que permiten corregir el nivel y limpiar el piso. Úselas para que la máquina de hielo quede nivelada.
7. Conecte el filtro de entrada de agua y la manguera de agua de la máquina usando el esquema de conexiones para instalación; si el lugar de la instalación ya tiene un equipo de filtrado de agua, puede no ser necesario el filtro.



NOTA: Asegúrese de instalar el filtro de modo que el agua fluya en el sentido indicado en la tapa del cabezal del filtro o en el cuerpo del filtro.



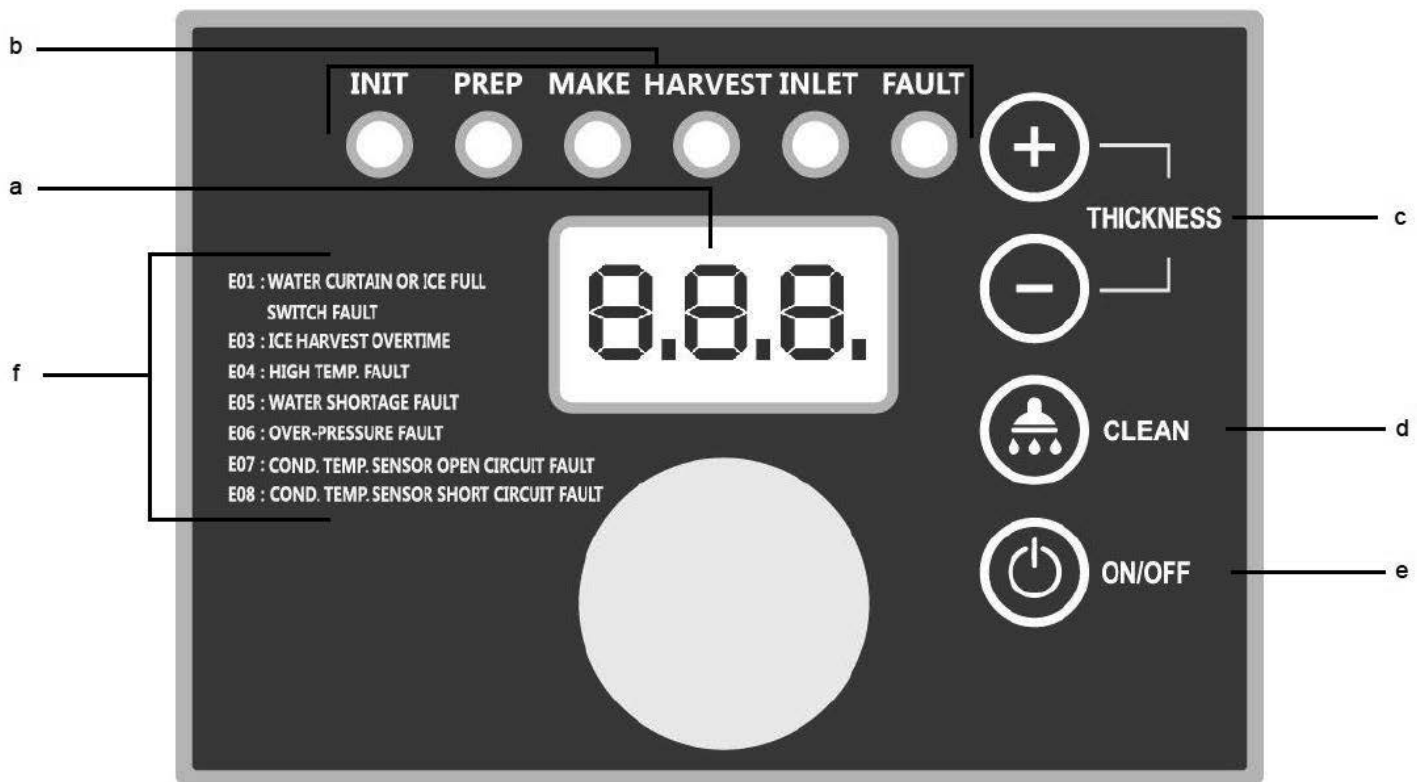
NOTA: Esta máquina viene con un filtro de entrada de agua. Este filtro eliminará las impurezas del agua usada mientras la máquina está funcionando. En general, debe ser reemplazado cada 1 a 3 meses.

8. Conecte la máquina al suministro de agua utilizando la manguera de entrada de agua de 3/4" que acompaña la máquina. Se recomienda instalar una válvula de agua (no provista con esta máquina) en la línea de suministro de agua
9. Ninguna parte de la tubería de drenaje puede estar más alta que el orificio de drenaje en el equipo y tampoco puede tener inclinaciones.
10. Confirme que se cumplan todos los requisitos de electricidad indicados en la etiqueta de especificaciones y que el equipo esté conectado a un interruptor de circuito debidamente instalado, operativo y conectado a tierra.
11. Asegúrese de que el interruptor eléctrico esté en posición de apagado antes de conectar la máquina de hielo al suministro eléctrico.

FUNCIONAMIENTO

Luego de la instalación, conecte la fuente de agua y encienda el suministro eléctrico: la máquina se encenderá y comenzará a funcionar. Confirme que la máquina esté funcionando normalmente cuando la encienda por primera vez.

PANEL DE CONTROL Y PANTALLA



a. Pantalla LED: Informa sobre el ciclo de fabricación de hielo o errores.

- Inicio: Autocomprobación. La pantalla mostrará ini.
- Preparación: La pantalla mostrará la cuenta en segundos mientras el equipo se prepara para arrancar.
- Fabricación: Muestra el progreso del proceso de fabricación de hielo. Contará los segundos mientras baja la temperatura del agua y luego hará una cuenta regresiva para mostrar el proceso de fabricación de hielo.
- Recolección de hielo: Cuenta los segundos que faltan para recoger el hielo.
- Limpieza: Mostrará el texto "CLE" durante la limpieza y la desincrustación, "STL" durante la esterilización y "RIN" durante el enjuague.

b. Los indicadores LED muestran el proceso actual que está realizando la máquina de hielo.

c. Ajuste del espesor del cubo de hielo: Durante el proceso de fabricación de hielo, presione y mantenga presionado el botón "-" durante 3 segundos, luego presione "+" o "-" para modificar el espesor del hielo.

⚠ NOTA: Presionar el botón "+" o "-" alarga o acorta el tiempo de fabricación de hielo 1.5 minutos.

d. Limpieza: Durante la operación, presione el botón de limpieza durante 3 segundos para iniciar el proceso de limpieza. A medida que la pantalla muestra los pasos del proceso, agregar los agentes de limpieza y los desinfectantes en la tolva de agua. Cuando el proceso de limpieza haya terminado, el equipo volverá al modo de fabricación de hielo.

e. e. ON/OFF (ENCENDIDO/APAGADO): Cuando el equipo está conectado a un suministro eléctrico, presione el botón "ON/OFF" (ENCENDIDO/APAGADO) para encenderlo o apagarlo.

⚠ NOTE: SIEMPRE apague la máquina de hielo y desconéctela del suministro eléctrico para darle mantenimiento o cuando no se vaya a utilizar por un largo tiempo.

f. Códigos de error: Si hay algún problema con el proceso de fabricación de hielo, la pantalla LED mostrará un código de error indicativo. Consulte la tabla en la sección . Solución de problemas para obtener información adicional.

ARRANQUE Y OPERACIÓN

1. Antes de poner en funcionamiento la máquina de hielo, revise y confirme lo siguiente:
 - Se han retirado todos los materiales de embalaje.
 - Se han retirado todos los accesorios del depósito de hielo.
 - El equipo está debidamente nivelado.
 - La tubería de agua está conectada con firmeza y la válvula está abierta.
 - El enchufe está bien conectado al suministro eléctrico y el interruptor de electricidad del equipo está en posición "OFF" (APAGADO).
 - La temperatura ambiente, la temperatura del agua y la presión del agua cumplen los requisitos.
2. Presione el interruptor de encendido en posición "ON" ("ENCENDIDO") para que la máquina de hielo comience a funcionar. Una vez encendido, el equipo comenzará automáticamente a hacer hielo.
3. Para la operación normal del equipo, confirme lo siguiente:
 - Hay agua en la tolva y esta no se desborda.
 - La bomba funciona correctamente y el agua fluye sin inconvenientes en el evaporador.
 - El compresor funciona normalmente, la temperatura del evaporador y del agua para el hielo disminuye gradualmente
 - En el caso de máquinas refrigeradas por aire, verifique que el ventilador esté funcionando normalmente y que haya un flujo de aire estable en la entrada y salida de la máquina de hielo..
 - No hay ruidos ni vibraciones anormales.

Hacer un lote de hielo demora entre 10 y 20 minutos, según la temperatura ambiente y la temperatura del agua. Cuanto mayor sea la temperatura, más se tardará en hacer el hielo.

Cuando usted coloca el interruptor de encendido en "ON", el equipo realizará una autocomprobación y expulsará fuera del sistema el agua que haya quedado dentro. La válvula de admisión se abrirá, la tolva de agua se llenará con agua y el equipo preenfriará el evaporador durante unos 30 segundos. Luego, el agua fluye sobre el evaporador para congelarse formando cubos de hielo que luego se dejan caer, durante el ciclo de recolección, cuando la válvula de descongelamiento se enciende y permite que pase aire caliente dentro del evaporador, lo que libera el hielo.

⚠ ADVERTENCIA: NO coloque las manos dentro del depósito de hielo mientras los cubos están cayendo. Cuando el depósito de hielo está lleno hasta el punto tal que la bandeja deslizante por la que baja el hielo no puede volver a su posición normal, el proceso de fabricación se detiene hasta que se haya derretido suficiente hielo para que la bandeja regrese a su posición o bien se retire el hielo del depósito. Cuando el depósito se vacía, se reanuda el proceso de fabricación de hielo.

CUIDADO Y MANTENIMIENTO

⚠ NOTA: El mantenimiento debe ser realizado por un técnico calificado.

⊘ ADVERTENCIA: Antes de proceder al mantenimiento o a la limpieza, se deberá cortar el suministro de agua y se deberá desconectar el equipo del suministro eléctrico.

LIMPIEZA EXTERIOR

SIEMPRE asegúrese de que el área alrededor de la máquina de hielo esté limpia y que nada obstruya las ventilaciones. Limpie el exterior de el equipo con detergente suave y seque. De ser necesario utilice limpiador o pulidor comercial para acero inoxidable.

⚠ NOTA: El acero inoxidable podría oxidarse si no se le da el cuidado y mantenimiento correctos.

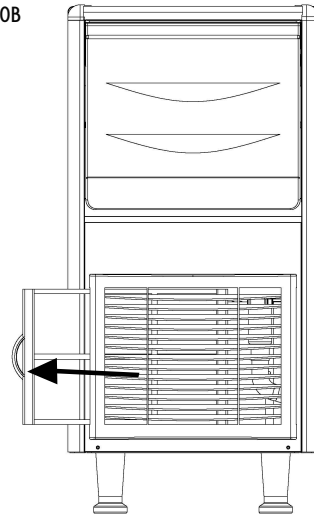
LIMPIEZA DEL INTERIOR

Limpie el interior del depósito de hielo con agua limpia y potable, luego seque como sea necesario

En el caso de la máquina de hielo enfriada por aire, se deberá limpiar el condensador cada tres semanas. Con un cepillo suave o una aspiradora con cepillo, cepille hacia arriba y hacia abajo a lo largo de la dirección de los álabes para evitar dañarlos y afectar más el efecto de enfriamiento. Se deberá quitar y limpiar con cuidado el filtro del condensador cada dos semanas.

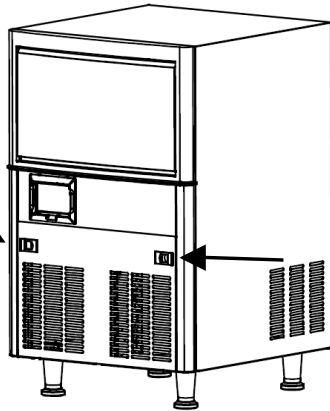
⚠ NOTA: Tenga cuidado al limpiar el condensador pues los bordes de los álabes son filosos.

Model NPCIM90B

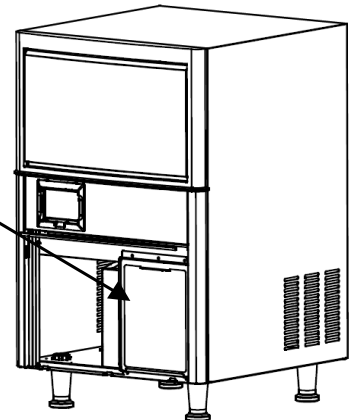


Modelo: NPCIM120H, NPCIM160H, NPCIM210, NPCIM280

Empuje las pestañas en la tapa delantera hacia adentro y hale hacia usted para quitarla.



Pellizque la lengüeta en el filtro y hale para retirar y limpiarlo o cambiarlo.



FILTRO DE ENTRADA DE AGUA

Se deberá inspeccionar y reemplazar el filtro con regularidad cada 1-3 meses, según el uso y la calidad del agua.

TUBERÍA DE AGUA

Para asegurar la seguridad de los alimentos, se deberá limpiar la tubería de agua con regularidad.

ALMACENAMIENTO

Si el equipo no va a ser usado durante un largo tiempo o será guardado, corte el agua y desconecte del suministro eléctrico. Limpie el interior y el exterior del equipo, y asegúrese de vaciar toda el agua de la tolva, la tubería de alimentación y la tubería de drenaje.

FUNCIÓN DE LIMPIEZA

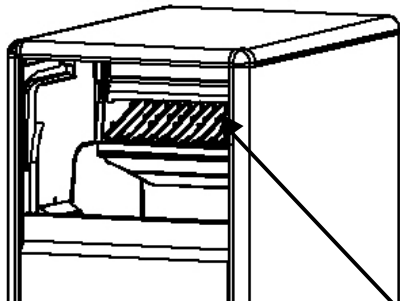
! **NOTA:** SIEMPRE vacíe el depósito de hielo y asegúrese de que no quede hielo en el evaporador antes de iniciar la función de limpieza.

! **NOTA:** SIEMPRE limpie y esterilice el depósito de hielo, la bandeja deslizante por la que baja el hielo, las tuberías de distribución y suministro de agua, y la bomba de agua; luego enjuague por completo.

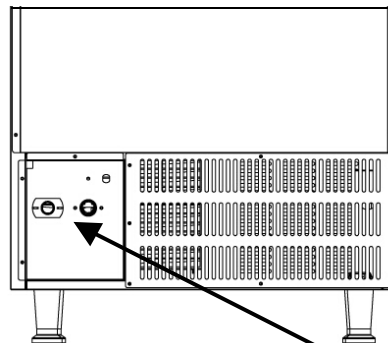
- Encienda la máquina de hielo y presione el botón "Clean" (Limpiar) durante 3 segundos. Coloque manualmente la cantidad correcta de solución comercial limpiadora o de desincrustación en la tolva de agua según las instrucciones de los productos, deje actuar por aproximadamente 1 minuto y luego vuelva a presionar el botón "Clean" (Limpiar) de nuevo. La máquina de hielo iniciará el proceso de limpieza y efectuará un ciclo de auto limpieza que durará unos 15 minutos. Pulverice el evaporador con alguna solución durante su operación para garantizar una completa limpieza. Al terminar, el LED "Clean" (Limpiar) destellará lentamente.
- Coloque manualmente solución de esterilización en la tolva de agua siguiendo las instrucciones del producto y vuelva a presionar el botón "Clean" (Limpiar). El proceso durará unos 15 minutos. Asegúrese de pulverizar un poco de solución sobre el evaporador mientras está funcionando para garantizar una completa esterilización.

! **NOTA:** Asegúrese de usar una solución de esterilización especial para máquinas de hielo comerciales.

- Cuando la esterilización haya terminado, el equipo pasará a un ciclo de enjuague que dura unos 5 minutos. Esto se repetirá 5 veces.
- Cuando el proceso de limpieza haya terminado por completo, el equipo volverá al modo de fabricación de hielo. Permita que haga 5 tandas de hielo y asegúrese de deshacerse de estas primeras 5 tandas después de la limpieza. Se recomienda limpiar y dar mantenimiento a la máquina de hielo por lo menos una vez cada 4 semanas. No seguir estas instrucciones puede causar el mal funcionamiento del equipo. El mantenimiento de la máquina de hielo o los problemas de funcionamiento debidos a un mantenimiento inadecuado no están cubiertos por la garantía del fabricante.



Coloque limpiador del lado derecho delantero del tanque



Los limpiadores se descargan desde la salida

SOLUCIÓN DE PROBLEMAS

Antes de solicitar algún servicio al equipo, verifique los siguientes puntos:

1. Controle el suministro de agua:
 - Verificar que hay agua en la tolva.
 - Asegúrese de que la presión de agua sea de 1.3–5.5 bares y que la temperatura del agua sea de 41–95°F (5–35°C).
 - Asegúrese de que la válvula de agua esté abierta y que no haya pérdidas.
2. Controle el suministro eléctrico:
 - Controle la pantalla para verificar que el equipo esté encendido.
 - Verifique que esté pasando electricidad hacia el tomacorriente, que el tomacorriente esté en buen estado y que el enchufe esté debidamente conectado.

Utilice la siguiente tabla para diagnosticar los problemas comunes. Tenga en cuenta que esta guía solo sirve como referencia para soluciones de problemas comunes. Si fuese necesario llamar al servicio técnico, tenga a mano el modelo y número de serie antes de hacer la llamada.

Síntoma	Causa posible	Acción correctiva
No está funcionando	El interruptor de alimentación no está en posición de encendido	Pase el interruptor de alimentación a encendido
	El enchufe está flojo	Verifique que el enchufe esté bien conectado a un tomacorriente que funcione
El indicador está en "Off" (Apagado)	El interruptor de alimentación no está en posición de encendido	Pase el interruptor de alimentación a encendido
	El enchufe está flojo	Verifique que el enchufe esté bien conectado a un tomacorriente que funcione
La pantalla muestra el código de error "E04" por alta temperatura	La temperatura ambiente está muy alta	Asegúrese de que el equipo esté instalado en algún lugar con una temperatura ambiente de 41–104 °F (5–40 °C)
	El condensador está sucio o tapado	Limpie el condensador y corrobore que nada esté obstruyendo la corriente de aire
	El ventilador no funciona	Corrobore que nada esté impidiendo el movimiento del ventilador
La pantalla muestra el código de error "E06" por alta presión	Los cables del interruptor por alta presión están desconectados	Revise y conecte los cables del interruptor por alta presión
No descongela	La temperatura ambiente es muy baja	Asegúrese de que el equipo esté instalado en algún lugar con una temperatura ambiente de 41–104 °F (5–40 °C)
	La válvula de descongelación no arranca normalmente	Revise la válvula de descongelación y corrija los problemas si los hubiera
	El hielo es muy fino o muy grueso	Revise el ajuste del espesor de hielo
La transparencia de los cubos de hielo no es buena; los cubos de hielo son muy finos o están incompletos	El espesor del hielo es muy fino	Revise el ajuste del espesor de hielo
	La presión del agua es muy baja	Verifique que la presión de entrada de agua se sitúe entre 1.3 bares y 5.5 bares.
	La temperatura del agua es muy alta	Asegúrese de que la temperatura del agua sea de 41–95 °F (5–35 °C).
	La válvula de entrada de agua no funciona	Revise la válvula de entrada de agua y corrija cualquier problema
	Pérdida de agua	Revise todas las uniones y ajuste si fuera necesario
	El filtro de entrada de agua no ha sido reemplazado por un largo tiempo	Cambie el filtro
El proceso de fabricación de hielo es muy lento	El condensador o el filtro de aire están sucios	Limpie el condensador y el filtro o cambie el filtro
	La temperatura ambiente es muy alta	Asegúrese de que el equipo esté instalado en algún lugar con una temperatura ambiente de 41–104 °F (5–40 °C)
	No hay suficiente corriente de aire de ventilación	Asegúrese de que haya suficiente espacio alrededor
	La temperatura del agua es muy alta	Asegúrese de que la temperatura del agua sea de 41–95 °F (5–35 °C).
Ruidos	El equipo no se encuentra sobre una superficie nivelada	Asegúrese de que el equipo esté instalado y nivelado correctamente

CÓDIGOCAUSAMODO

CODE	CAUSA	MODO
E01	Falla del interruptor de cortina de agua o hielo lleno	Modo de suspensión El equipo se recuperará luego que se restablezca la cortina de agua
E03	Se pasó el tiempo de recolección de hielo	Modo de suspensión
E04	Falla por alta temperatura	Modo de suspensión
E05	Falla por falta de agua	Modo de suspensión El equipo volverá a intentarlo cada 30 minutos
E06	Falla de sobrepresión	Modo de suspensión
E07	Falla del circuito abierto en Sensor de temperatura de condensador	Se mantiene en funcionamiento
E08	Falla del circuito en corto en Sensor de temperatura de condensador	Se mantiene en funcionamiento

NORPOLE

GARANTÍA LIMITADA

Norpole, Inc. garantiza que cada máquina de hielo nueva carece de defectos en los materiales y en la mano de obra, y acuerda remediar cualquier defecto o proporcionar la(s) pieza(s) nueva(s), por cualquier/cualesquiera pieza(s) del equipo que haya(n) fallado durante el periodo de garantía (a discreción de la compañía). Los gastos de piezas y mano de obra están cubiertos en este equipo por un período de un año a partir de la fecha de compra.

Además, Norpole, Inc. garantiza que el compresor (repuestos solamente) no presentará defectos en materiales ni de mano de obra durante un periodo de cinco años. El consumidor es responsable de todo gasto de mano de obra y transporte relacionado con el diagnóstico y reemplazo del compresor una vez expirada la garantía inicial de tres años. El consumidor asume todos los gastos de traslado para devolver a fábrica el equipo antes de obtener un reemplazo o un reembolso, en caso de que deba sustituirse el equipo o efectuarse un reembolso de conformidad con los términos de esta garantía. El reembolso o el reemplazo se efectuará a discreción de Norpole, Inc. Es necesario presentar una copia del recibo o de la factura de venta fechado para recibir servicio de garantía o un reembolso. Esta garantía cubre los aparatos en uso dentro de los Estados Unidos contiguos, Alaska, Hawái y Puerto Rico. Los garantía no cubre:

- Daños causados durante el envío o instalación incorrecta.
- Daños por mal uso o abuso.
- Pinchaduras del sistema evaporador por descongelamiento incorrecto del equipo.
- Pérdida del contenido por fallas del equipo.
- Componentes internos, tales como estantes y otros.
- Reparaciones realizadas por agentes de servicio no autorizados.
- Llamadas de servicio no relacionadas con defectos en material y mano de obra tales como instrucciones sobre el uso correcto del producto o instalación incorrecta.
- El reemplazo o restablecimiento de fusibles o interruptores de circuito.
- Falla de este producto si se usa para fines distintos para los que fue diseñado.
- Costos de eliminación de cualquier equipo defectuoso no devuelto a fábrica.
- Ninguno de los costos de entrega o instalación incurridos como resultado de un equipo que no funcione según las especificaciones.
- Gastos de viaje y transporte para el servicio del producto si el electrodoméstico se encuentra en un lugar remoto donde el servicio de un técnico de servicio autorizado no está disponible.
- El retiro y la reinstalación del electrodoméstico si está instalado en un sitio inaccesible o no está instalado de acuerdo con las instrucciones publicadas.
- Los reintegros de los productos que no son reparables están limitados al precio pagado por el equipo conforme al recibo o a la factura de venta.
- Esta garantía es intransferible. Esta garantía aplica sólo al comprador original y no se extiende a los siguientes propietarios.

LIMITACIONES A REMEDIOS Y EXCLUSIONES

La reparación del producto de acuerdo con los términos aquí indicados es el único y exclusivo remedio bajo esta garantía limitada. Cualquiera y todas las garantías implícitas, incluyendo la comerciabilidad e idoneidad para un propósito particular se limitan por la presente a tres años o al período más corto permitido por la ley. Norpole, Inc. no es responsable por daños indirectos o derivados y ningún representante o persona está autorizada para asumir por nuestra parte, ninguna otra responsabilidad con relación a la venta de este producto. Bajo ninguna circunstancia se le permite al consumidor devolver a fábrica este equipo sin la autorización previa por escrito de Norpole, Inc.

Algunos estados prohíben la exclusión o limitación de los daños indirectos o derivados, o limitaciones sobre las garantías implícitas. Esta garantía le otorga a usted derechos legales específicos, y usted podría tener otros derechos que variarán según el estado.

Modelo	Piezas y mano de obra	Compresor (Solo pieza)	Tipo de servicio
NPCIM90B,NPCIM120H, NPCIM160H,NPCIM210, NPCIM280	1 año	5 años	En campo

Para Servicio o Asistencia por favor llame al 888-775-0202 o visitenos en la web en <https://mcappliance.com/product-registration>.