

This Owner's Manual is provided and hosted by [Appliance Factory Parts](#).



MAGIC CHEF HMCR440ME Owner's Manual

[Shop genuine replacement parts for MAGIC CHEF
HMCR440ME](#)



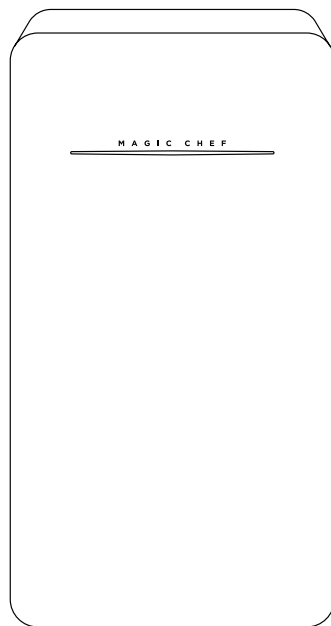
[Find Your MAGIC CHEF Refrigerator Parts - Select From 316 Models](#)

----- Manual continues below -----



4.4 Cu. Ft. Refrigerator

User's Manual



Model HMCR440WE/HMCR440BE/HMCR440RE/HMCR440ME

**PLEASE READ THIS MANUAL CAREFULLY BEFORE USING YOUR
REFRIGERATOR AND KEEP IT FOR FUTURE REFERENCE.**



PRODUCT REGISTRATION

Thank you for purchasing a Magic Chef® product. The first step to protect your new product is to complete the product registration on our website: www.mcappliance.com/register. The benefits of registering your product include the following:

1. Registering your product will allow us to contact you regarding a safety notification or product update.
2. Registering your product will allow for more efficient warranty service processing when warranty service is required.
3. Registering your product could act as your proof of purchase in the event of insurance loss.

Once again, thank you for purchasing a Magic Chef product.

CONTENTS

PRODUCT REGISTRATION	2
IMPORTANT SAFETY INSTRUCTIONS	4
SPECIFICATIONS.....	6
PARTS AND FEATURES	7
INSTALLATION INSTRUCTIONS	8
BEFORE USING YOUR REFRIGERATOR.....	8
INSTALLING YOUR REFRIGERATOR	8
ELECTRICAL CONNECTION	8
OPERATING INSTRUCTIONS.....	9
TEMPERATURE CONTROL.....	9
THE CHILLER COMPARTMENT.....	9
HOW TO DEFROST	9
LED LIGHT	9
CARE AND MAINTENANCE.....	10
CLEANING YOUR REFRIGERATOR	10
VACATION TIME.....	10
MOVING YOUR REFRIGERATOR.....	10
ENERGY SAVING TIPS	10
TROUBLESHOOTING.....	11
LIMITED WARRANTY	13

IMPORTANT SAFETY INSTRUCTIONS

▲ WARNING: To reduce the risk of fire, electrical shock, or injury when using your refrigerator, follow these basic precautions.

- Read all instructions before using the refrigerator.
- DANGER or WARNING: Risk of child entrapment
- To avoid the possibility of child entrapment, please take the following precautions before throwing out the refrigerator.
 - Remove all Doors from the unit.
 - Leave the shelves in place so that children may not easily climb inside.
- Never allow children to operate, play with, or crawl inside the refrigerator.
- Never clean the refrigerator parts with flammable fluids. The fumes can create a fire hazard or explosion.
- DO NOT store or use gasoline or any other flammable liquids or vapors in the vicinity of this or any other refrigerator. The fumes can create a fire hazard or explosion.

▲ WARNING: To reduce the risk of fire, electrical shock, or injury, follow these basic precautions when using your refrigerator.

1. **▲ WARNING:** Keep ventilation openings, in the appliance enclosure or in the built in structure, clear of obstructions.
2. **▲ WARNING:** DO NOT use mechanical devices or other means to accelerate the defrosting process, other than those recommended by the manufacturer.
3. **▲ WARNING:** To reduce the risk of a leak, DO NOT damage the refrigerant tubing while handling, moving, or using the refrigerator.
4. **▲ WARNING:** DO NOT use electrical appliances inside the food storage compartments of the appliance, unless they are of the type recommended by the manufacturer.
5. **▲ WARNING/DANGER:** Never allow children to play with, operate, or crawl inside the refrigerator. Risk of child entrapment. Before you throw away your old refrigerator or freezer:
 - Take off the doors.
 - Leave the shelves in place so that children may not easily climb inside.
6. The appliance has to be unplugged before carrying out user maintenance on the appliance.
7. This appliance can be used by children age 8 years and above and persons with reduced physical sensory or mental capabilities or lack of experience and knowledge if they have been given supervision or instruction concerning the use of the appliance in a safe way and understand the hazards involved. Children should not play with the appliance. Cleaning and maintenance should not be made by children without supervision.
8. If a component or part is damaged, it must be replaced by the manufacturer, its service agent, or a similarly qualified person in order to avoid hazards.
9. Please dispose of the refrigerator according to local regulations as the unit contains flammable blowing gas and refrigerant.
10. Follow local regulations regarding disposal of the appliance due to the flammable refrigerant and blowing gas. All refrigeration products contain refrigerants, which under the guidelines of federal law must be removed before disposal. It is the consumer's responsibility to comply with federal and local regulations when disposing of this product.
11. This appliance is intended to be used in household and similar environments such as:
 - Staff kitchen areas in shops, offices and other working environments.

- Farm houses and by clients in hotels, motels, and other residential type environments.
 - Bed and breakfast type environments.
 - Catering and similar non-retail environments.
12. DO NOT store or use gasoline or any inflammable liquids inside or in the vicinity of the refrigerator.
 13. DO NOT use an extension cord with this appliance. If the power cord is too short, have a qualified electrician install an outlet near the appliance. Use of an extension cord can negatively affect the unit's performance.

▲ CAUTION: Risk of Fire

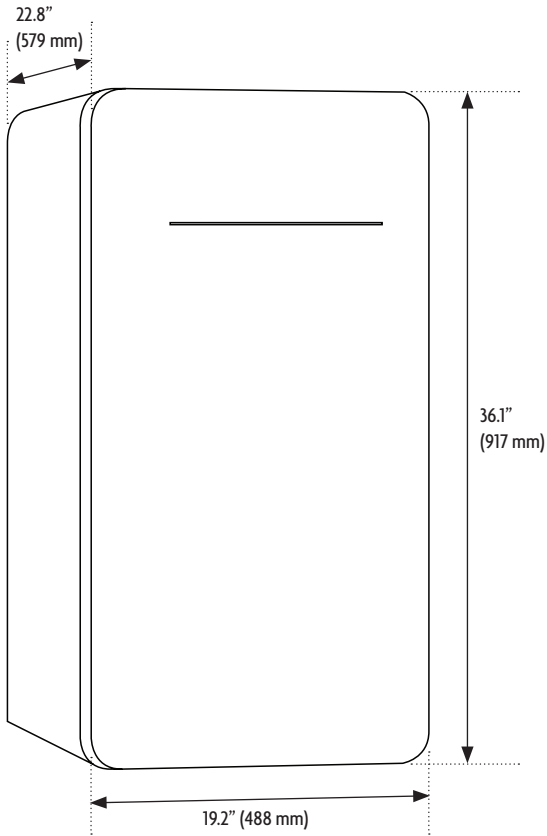
- It is hazardous for anyone other than authorized service personnel to carry out services or repairs involving the removal of covers.
- To avoid the risk of electrical shock, do not attempt repairs yourself.



**READ AND FOLLOW THIS
SAFETY INFORMATION CAREFULLY
SAVE THESE INSTRUCTIONS**

SPECIFICATIONS

Figure 1

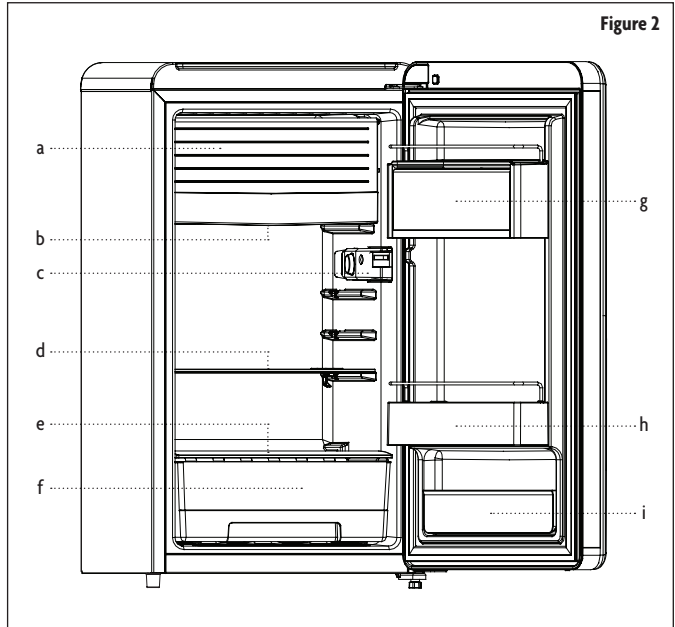


Dimensions (W x H x D)	19.2" x 36.1" x 22.8" (488 mm x 917 mm x 579 mm)
Net Weight	59.5 Lbs.
Capacity	4.4 Cu. Ft.

PARTS AND FEATURES

- a. Chiller Compartment
- b. Drain Tray
- c. Control Box
- d. Shelf
- e. Crisper Cover
- f. Vegetable Keeper (Crisper)
- g. Multi Keeper
- h. Bottle Rack
- i. Lower Door Pocket

▲ WARNING: NEVER touch the interior of the Chiller Compartment or frozen foods in the compartment with wet hands as this could result in frost bite.



INSTALLATION INSTRUCTIONS

BEFORE USING YOUR REFRIGERATOR

- Remove the exterior and interior packaging.
- Before connecting the refrigerator to a power source, let it stand upright for approximately 4 hours. This will reduce the possibility of a malfunction in the cooling system from improper handling during transportation.
- Clean the interior using lukewarm water and a soft cloth. (Cleaning instructions on pg. 10)

INSTALLING YOUR REFRIGERATOR

- This appliance is designed to be free-standing only, and should not be recessed or built in.
- Place your refrigerator on a floor that is strong enough to support the unit when it is fully loaded.
- Allow 5 inches of space between the back and sides of the refrigerator, which allows for proper air ventilation. Adjust the feet to keep the refrigerator level.
- Locate the refrigerator away from direct sunlight and sources of heat (stove, heater, radiator, etc.). Direct sunlight may affect the acrylic coating and heat sources may increase electrical consumption. Ambient temperatures below 50 °F (10°C) or above 85°F (29.4°C) will hinder the performance of this appliance.
- Avoid locating the refrigerator in moist areas.
- Plug the refrigerator into dedicated, properly installed-grounded wall outlet. Do not under any circumstances cut or remove the third (ground) prong from the power cord. Any questions concerning power and/or grounding should be directed toward a certified electrician or an authorized service center. This unit is not designed to be installed in an RV or used with an inverter.
- After plugging the appliance into a wall outlet, turn the unit on and allow it to cool down for 2-3 hours before placing food in the refrigerator or chiller compartments.

ELECTRICAL CONNECTION

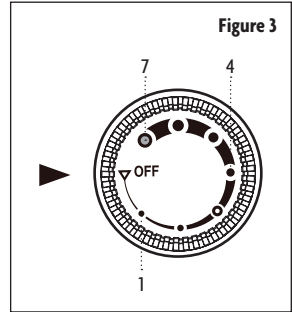
▲ WARNING: Improper use of the grounded plug can result in the risk of electrical shock. If the power cord is damaged, have it replaced by an authorized service center.

- This refrigerator should be properly grounded for your safety. The power cord of this refrigerator is equipped with a three-prong plug with mates with the standard three prong wall outlets to minimize the possibility of electric shock.
- DO NOT, under any circumstances, cut or remove the third ground prong from the power cord supplied.
- This refrigerator requires a standard 115 Volt/60 Hz electrical outlet with a three prong ground.
- This refrigerator is not designed for use on an inverter.
- The cord should be secured behind the refrigerator and not left exposed or dangling to prevent accidental injury.
- NEVER unplug the refrigerator by pulling the power cord. Always grip the plug firmly and pull straight out from the receptacle.
- DO NOT use an extension cord with this appliance. If the power cord is too short, have a qualified electrician or service technician install an outlet near the appliance. Use of an extension cord can negatively affect the performance of the unit.
- If any problems with the appliance persist, please contact our Customer Service Dept. to consult with a representative at 888-775-0202 or visit our website to request warranty service at www.mcappliance.com.

OPERATING INSTRUCTIONS

TEMPERATURE CONTROL

- Your refrigerator has one control for regulating the temperature. The temperature control is located on the upper right hand corner of the interior compartment.
- The first time you turn the unit on, adjust the temperature control knob to “7” and run for at least 2 hours before putting food inside. This will ensure the cabinet is thoroughly chilled before the food is put in.
- The range of the refrigerator temperature control is from position “1” (cold) to “7” (coldest). Adjust the temperature control to the setting that best suits your needs. A setting of “3” or “4” should be appropriate for home or office refrigerator use.
- To turn off the refrigerator, turn the temperature control knob to “Off”. Please note that turning the temperature control knob to the “Off” position stops the cooling cycle, but does not disconnect the power supply to the refrigerator.



▲ NOTE:

- If the unit is unplugged or loses power, you must wait 3-5 minutes before restarting the unit. If you attempt to restart before this time delay, the refrigerator may not start.
- Large amounts of food will lower the cooling efficiency of the appliance.
- DO NOT place food on or in front of the air outlet, and allow space for airflow.
- If you choose to change the thermostat setting, adjust the thermostat control by one increment at a time. Allow several hours for temperature to stabilize between adjustments.

THE CHILLER COMPARTMENT

- The temperature of the chiller compartment may not reach a temperature low enough to store all frozen foods and works best when the food is already frozen prior to storage.
- Place frozen food into the chiller compartment as soon as possible after purchase. If there are instructions on the food packaging, carefully follow those instructions regarding storage times.

HOW TO DEFROST

- Defrost the refrigerator when the frost accumulated on the evaporator is about 0.2” (5 mm) thick.
- Set the thermostat dial to “OFF”. Remove foods. Keep drain tray in place. Defrosting usually takes a few hours. To defrost quickly remove all foods from the refrigerator and leave door open. Never use a knife or other metal instrument to remove ice/frost from the evaporator.
- After defrosting, empty water from drain tray and set the thermostat dial to the maximum setting for 2-3 hours before returning to the desired setting to start refrigerating again.

▲ NOTE: Never use sharp or pointed instruments to remove ice from the chiller compartment, as it contains refrigerator gas lines and if accidentally punctured or pierced, will render the refrigerator inoperable and void the manufacturer’s warranty.

LED LIGHT

The refrigerator has a LED light in it for illumination. In the event that the light stops functioning, please contact our customer service department at 888-775-0202 for replacement.

CARE AND MAINTENANCE

CLEANING YOUR REFRIGERATOR

- Upon installation of your new appliance, it is recommended that it be cleaned thoroughly.
- Turn the temperature control knob to "Off" and then unplug the unit from the wall outlet.
- Remove all food.
- Wash the inside with a damp, warm cloth soaked in lukewarm water and a baking soda solution. The solution should be about 2 tablespoons of backing soda to a quart of water.
- Be sure to keep the door gasket (seal) clean to keep the unit running efficiently.
- The outside of the refrigerator should be cleaned with mild detergent and warm water.
- Dry the interior and exterior with a soft cloth.

VACATION TIME

- Turn the temperature control knob to "Off" and then unplug the unit from the wall outlet.
- Remove all food.
- Clean the refrigerator.
- Leave the door open slightly to avoid the formation of condensation, mold, or odors.
- Use extreme caution in the case of children. The unit should not be accessible for children to play with or in.
- Short Vacations: Leave the refrigerator operating during vacations of less than three weeks.
- Long Vacations: If the appliance will not be used for longer than 3 weeks, remove all food, turn control to "Off", and unplug the power cord. Clean and dry the interior thoroughly. To prevent odors and mold growth, leave the door open slightly, blocking it open if necessary or have the door removed.

MOVING YOUR REFRIGERATOR

- Turn the temperature control knob to "Off" and then unplug the unit from the wall outlet.
- Remove all food.
- Securely tape down all loose items (shelves, etc.) inside the refrigerator.
- Tape the doors shut.
- Be sure the refrigerator stays in an upright position during transportation.

ENERGY SAVING TIPS

- The refrigerator should be located in the coolest area in the room, away from heat producing appliances or heating ducts, and out of direct sunlight.
- Let hot foods cool to room temperature before placing in the refrigerator. Overloading the unit forces the compressor to run longer. Foods that cool too slowly may lose quality or spoil.
- Be sure to wrap foods properly, and wipe containers dry before placing them in the refrigerator. This cuts down on frost build-up inside the refrigerator.
- Organize and label foods to reduce door openings and extended searches. Remove as many items as needed at one time, and close the door as soon as possible.

TROUBLE SHOOTING

You can solve many common refrigerator issues easily, saving you the cost of a possible service call. Try the suggestions below to see if you can solve the problem before calling for service.

PROBLEM	POSSIBLE CAUSE
Refrigerator does not operate.	<ul style="list-style-type: none"> • Not plugged in. • The circuit breaker is tripped or there is a blown fuse.
Compressor turns on and off frequently.	<ul style="list-style-type: none"> • Room temperature is hotter than normal. • A large amount of food has been added to the refrigerator. • The door is opened too often. • The door is not closed completely. • The temperature control is not set correctly. • The door gasket does not seal properly. • The refrigerator does not have the correct clearances. • The refrigerator has recently been disconnected for a period of time. Allow 4 hours for the refrigerator to cool down completely.
Temperature inside the refrigerator is too warm.	<ul style="list-style-type: none"> • Temperature control is set too warm. Turn the control to a cooler setting and allow several hours for the temperature to stabilize. • Door is kept open too long or is opened too frequently. Warm air enters the refrigerator every time the door is opened. Open the door less often. • The door is not closed completely. • The door gasket does not seal properly. • A large amount of warm or hot food might have been stored recently. Wait until the refrigerator has had a chance to reach its selected temperature. • The refrigerator has recently been disconnected for a period of time. Allow 4 hours for the refrigerator to cool down completely.
Temperature inside the refrigerator is too cold.	<ul style="list-style-type: none"> • Temperature control is set too cold. Turn the control to a warmer setting and allow several hours for the temperature to stabilize.
Temperature of the external refrigerator surface is warm.	<ul style="list-style-type: none"> • The exterior refrigerator walls can be as much as 30° F warmer than room temperature.
Popping or cracking sound when compressor comes on.	<ul style="list-style-type: none"> • Metal parts undergo expansion and contraction. This is normal. Sound will level off or disappear as the refrigerator continues to run.
Bubbling or gurgling sound, like water boiling.	<ul style="list-style-type: none"> • Refrigerant (used to cool refrigerator) is circulating through the system. This is normal.
Vibrations	<ul style="list-style-type: none"> • Check to assure that the refrigerator is on a level surface. • Floor is uneven or weak. Refrigerator rocks on the floor when it is moved slightly. Be sure floor can adequately support refrigerator. Level the refrigerator by putting shims under the back or the leveling legs. • The refrigerator is touching a wall. Move away from the wall and re-level. • See “Installation Instructions”.

Moisture forms on the inside refrigerator walls.	<ul style="list-style-type: none"> • Weather is hot and humid, which increases internal rate of frost build-up. This is normal. • Door is open slightly. • Door is kept open too long, or is opened too frequently. Open the door less often. • The door is not sealed properly.
Moisture forms outside of refrigerator.	<ul style="list-style-type: none"> • Door is slightly open, causing cold air from inside the refrigerator to meet warm moist air from outside.
The door will not close properly.	<ul style="list-style-type: none"> • The refrigerator is not on a level surface. • The gasket is dirty.



LIMITED WARRANTY

MC Appliance Corporation warrants each new Refrigerator to be free from defects in material and workmanship, and agrees to remedy any such defect or to furnish a new part(s), at the company's option, for any part(s) of the unit that has failed during the warranty period. Parts and labor expenses are covered on this unit for a period of one year from the date of purchase. A copy of the dated sales receipt/invoice is required to receive warranty service, replacement or refund.

In addition, MC Appliance Corporation warrants the compressor (part only) to be free from defects in material and workmanship for a period of five years. The consumer is responsible for all labor and transportation expenses related to the diagnosis and replacement of the compressor after the initial one-year warranty has expired. In the event the unit requires replacement or refund under the terms of this warranty, the consumer is responsible for all transportation expenses to return the unit to our factory prior to receiving a replacement unit or refund. A copy of the dated sales receipt/invoice is required to receive warranty service.

This warranty covers appliances in use within the contiguous United States, Alaska, Hawaii and Puerto Rico. This warranty does not cover the following:

- Damages due to shipping damage or improper installation.
- Damages due to misuse or abuse.
- Content losses due to failure of the unit.
- Punctures to the evaporator system due to improper defrosting of the unit.
- Repairs performed by unauthorized service agents.
- Service calls that do not involve defects in material and workmanship such as instructions on proper use of the product or improper installation.
- Replacement or resetting of house fuses or circuit breakers.
- Failure of this product if used for other purposes than its intended purpose.
- Disposal costs for any failed unit not returned to our factory.
- Any delivery/installation costs incurred as the result of a unit that fails to perform as specified.
- Expenses for travel and transportation for product service if your appliance is located in a remote area where service by an authorized service technician is not available.
- The removal and reinstallation of your appliance if it is installed in an inaccessible location or is not installed in accordance with published installation instructions.
- Refunds for non repairable products are limited to the price paid for the unit per the sales receipt.
- This warranty is non transferable. This warranty applies only to the original purchaser and does not extend to any subsequent owner(s).

Limitations of Remedies and Exclusions:

Product repair in accordance with the terms herein, is your sole and exclusive remedy under this limited warranty. Any and all implied warranties including merchantability and fitness for a particular purpose are hereby limited to one year or the shortest period allowed by law. MC Appliance Corporation is not liable for incidental or consequential damages and no representative or person is authorized to assume for us any other liability in connection with the sale of this product. Under no circumstances is the consumer permitted to return this unit to the factory without the prior written consent of MC Appliance Corporation.

Some states prohibit the exclusion or limitation of incidental or consequential damages, or limitations on implied warranties. This warranty gives you specific legal rights, and you may also have other rights which vary from state to state.

Model	Parts & Labor	Compressor (Parts Only)	Type of Service
HMCR440WE/HMCR440BE/HMCR440RE/HMCR440ME	One Year	Five Years	Carry In

For Service or Assistance please call **888-775-0202** or visit us on the web at www.mcappliance.com to request warranty service or order parts.



**CNA International, Inc. d/b/a MC Appliance Corporation. All rights reserved.
Magic Chef® logo is a registered trademark of CNA International, Inc.**

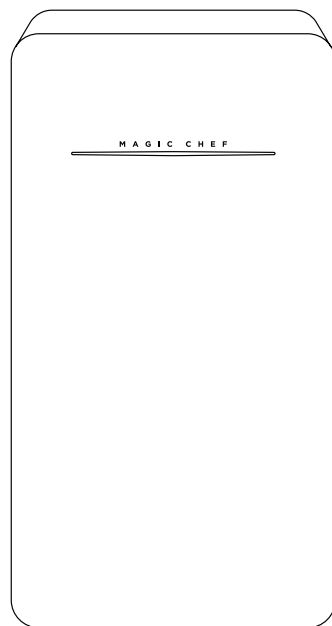
www.mcappliance.com

Printed in China



Refrigerador compacto de 4.4 pies cúbicos

Manual del usuario



Modelo HMCR440WE/HMCR440BE/HMCR440RE/HMCR440ME

**LEA ESTE MANUAL ANTES DE UTILIZAR SU REFRIGERADOR Y GUÁRDELO
PARA FUTURA REFERENCIA.**



REGISTRO DEL PRODUCTO

Gracias por comprar un producto Magic Chef®. El primer paso para proteger su nuevo producto es completar el registro del producto en nuestro sitio web: www.mcappliance.com/register. Entre los beneficios de registrar su producto se incluyen los siguientes:

1. Registrar su producto nos permitirá contactarlo en relación con cualquier aviso de seguridad o actualización del producto.
2. Registrar su producto permitirá un proceso de servicio de garantía más eficiente, cuando se requiera el servicio de garantía.
3. Registrar su producto podría servir como su prueba de compra en el caso de que usted sufra una pérdida que esté cubierta por el seguro.

Una vez más, gracias por comprar un producto Magic Chef.

ÍNDICE

REGISTRO DEL PRODUCTO	16
INSTRUCCIONES DE SEGURIDAD IMPORTANTES	18
ESPECIFICACIONES	20
PARTES Y FUNCIONES	21
INSTRUCCIONES DE INSTALACIÓN	22
ANTES DE UTILIZAR SU APARATO	22
INSTALAR EL REFRIGERADOR	22
CONEXIÓN ELÉCTRICA	22
INSTRUCCIONES DE FUNCIONAMIENTO	23
CONTROL DE TEMPERATURA	23
EL COMPARTIMIENTO FRIGORÍFICO	23
CÓMO DESCONGELAR	23
LUZ LED	24
CUIDADO Y MANTENIMIENTO	25
PARA LIMPIAR SU APARATO	25
EN LAS VACACIONES	25
PARA CAMBIAR DE LUGAR SU APARATO	25
RECOMENDACIONES PARA AHORRAR ENERGÍA	25
SOLUCIÓN DE PROBLEMAS	26
GARANTÍA LIMITADA	28

INSTRUCCIONES DE SEGURIDAD IMPORTANTES

▲ ADVERTENCIA: Para reducir el riesgo de incendios, golpes de corriente o lesiones cuando utilice su refrigerador, sírvase tener en cuenta las siguientes recomendaciones básicas.

- Lea atentamente todas las instrucciones antes de usar el refrigerador.
- El peligro o advirtiendo: Riesgo de que los niños queden atrapados.
- Para evitar este riesgo, sírvase observar las siguientes recomendaciones antes de lanzar fuera del refrigerador.
 - Retire la tapa del refrigerador.
 - Deje los estantes en lugar de modo que los niños no puedan subir fácilmente adentro.
- No deje que los niños usen el refrigerador, jueguen con él o se introduzcan en el interior.
- No limpie las partes del refrigerador con productos inflamables. Los vapores pueden originar un incendio o explosión.
- No almacene ni use gasolina ni ningún otro gas o líquido inflamable cuando se encuentre cerca de este refrigerador u otro. Los vapores pueden originar un incendio o explosión.

▲ ADVERTENCIA: Para reducir el riesgo de incendio, choque eléctrico o lesiones, siga estas precauciones básicas al usar su refrigerador.

1. **▲ ADVERTENCIA:** Mantenga las aberturas de ventilación, en el mismo aparato o en la estructura integrada, libres de obstrucciones.
2. **▲ ADVERTENCIA:** NO utilice dispositivos mecánicos u otros medios para acelerar la descongelación, más que los recomendados por el fabricante.
3. **▲ ADVERTENCIA:** No dañe la tubería de refrigerante para aumentar el riesgo de una fuga al manejar, mover y usar el refrigerador.
4. **▲ ADVERTENCIA:** NO utilice aparatos eléctricos dentro de los compartimientos de almacenamiento de alimentos del aparato, a menos que sean del tipo recomendado por el fabricante.
5. **▲ ADVERTENCIA/PELIGRO:** NUNCA permita que los niños jueguen, hagan funcionar o se arrastren dentro del refrigerador. Existe el riesgo de que los niños queden atrapados. Antes de desechar su refrigerador o congelador viejo:
 - Quite las puertas.
 - Deje los estantes en su lugar para que los niños no pueden entrar con facilidad.
6. El aparato debe desconectarse antes de realizar mantenimiento del usuario en el dispositivo.
7. Este aparato puede ser utilizado por niños de al menos 8 años y por personas con discapacidades físicas, sensoriales o mentales, o con falta de experiencia y conocimientos, bajo supervisión o si han recibido instrucciones sobre cómo usar el dispositivo de manera segura y si comprenden los peligros implicados. Los niños no deben realizar la limpieza o el mantenimiento sin supervisión.
8. Si el componente está dañado, debe ser reemplazado por el fabricante, su agente de servicio técnico o persona similar calificada para evitar cualquier peligro.
9. Deseche el refrigerador de acuerdo con las normas locales ya que la unidad contiene refrigerante y gas inflamable.
10. Siga las normas locales con respecto a la eliminación del aparato debido al refrigerante inflamable y el gas. Todos los aparatos de refrigeración contienen refrigerantes que, bajo los lineamientos de la ley federal, deben ser eliminados antes de desecharlos. Es responsabilidad del consumidor cumplir con los reglamentos federales y locales al desechar este producto.

11. Este aparato está destinado al uso doméstico y en aplicaciones similares como:
 - áreas de cocina en tiendas, oficinas y otros entornos laborales;
 - casas rurales y para clientes en hoteles, moteles y otros entornos de tipo residencial;
 - entornos de tipo hospedaje;
 - servicios de comidas y otras aplicaciones no comerciales similares.
12. NO almacene ni use gasolina o cualquier licor y líquidos inflamables dentro o en las proximidades del refrigerador.
13. NO utilice alargadores con este aparato. Si el cable de alimentación es demasiado corto, haga que un electricista calificado instale un tomacorriente cerca del aparato. El uso de una extensión puede afectar negativamente el rendimiento de la unidad.

⚠ ATENCIÓN: Peligro de incendio

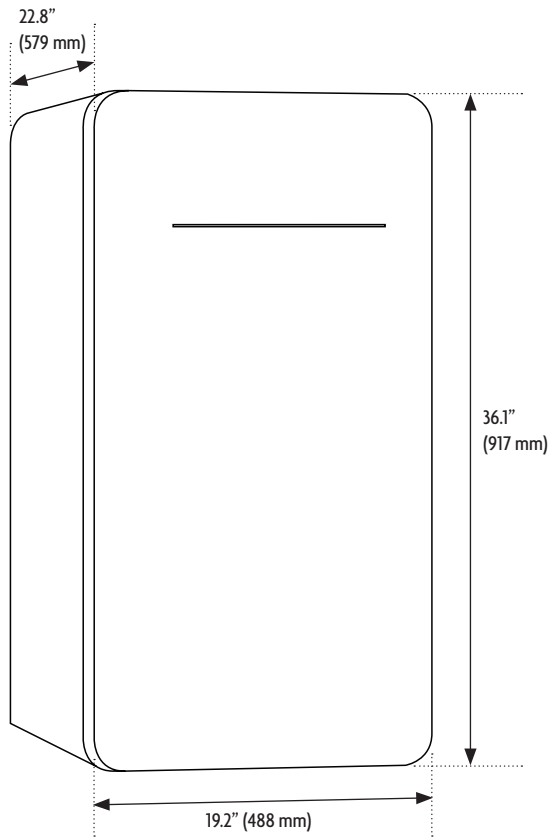
- Es peligroso para cualquier persona que no sea personal de servicio autorizado llevar a cabo los servicios o las reparaciones que impliquen la extracción de las cubiertas.
- Para evitar el riesgo de un choque eléctrico, do intente repararlo usted mismo.



**LEA Y SIGA CUIDADOSAMENTE
ESTA INFORMACIÓN DE SEGURIDAD
GUARDE ESTAS INSTRUCCIONES**

ESPECIFICACIONES

Figura 1

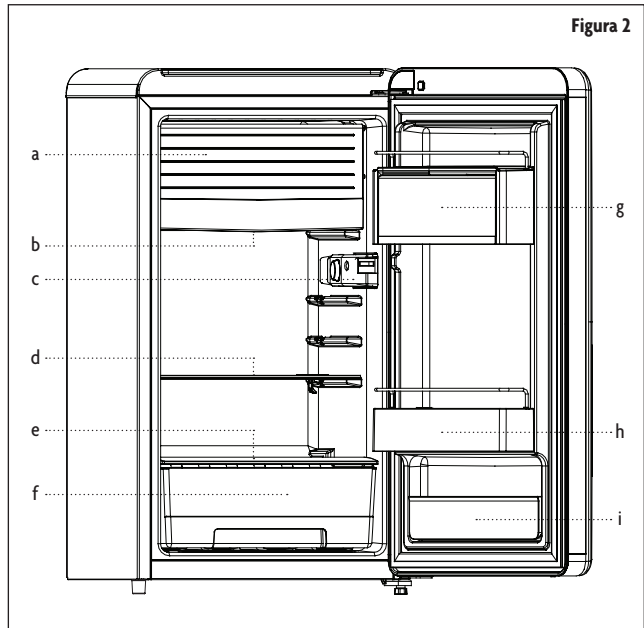


Dimensiones (A x L x P)	19.2" x 36.1" x 22.8" (488 mm x 917 mm x 579 mm)
Peso	59.5 Lbs.
Capacidad	4.4 Cu. Ft.

PARTES Y FUNCIONES

- a. Compartimiento frigorífico
- b. Bandeja de desagüe
- c. Caja de control
- d. Repisa
- e. Cubierta del cajón de verduras
- f. Depósito para vegetales (Cajón de verduras)
- g. Depósito para múltiples artículos
- h. Rejilla para botella
- i. Compartimiento inferior en la puerta

▲ ADVERTENCIA: NUNCA tocar con las manos mojadas el interior del compartimiento frigorífico ni los alimentos congelados en él, ya que pudiera sobrevenir lesión por congelamiento.



INSTRUCCIONES DE INSTALACIÓN

ANTES DE UTILIZAR SU APARATO

- Retire el material de embalaje del exterior e interior.
- Antes de conectar el refrigerador a la fuente de alimentación, déjelo en posición vertical durante 4 horas aproximadamente. De esta forma, se reducirá la posibilidad de mal funcionamiento del sistema de refrigeración debido a manipulación incorrecta durante el traslado.
- Limpie la superficie interior con agua tibia y paño suave. (Limpiando la instrucción en la página 10.)

INSTALAR EL REFRIGERADOR

- Este electrodoméstico está diseñado para funcionar apoyado sobre el piso y no debe empotrarse ni embutirse en la pared.
- Coloque el Refrigerador sobre un piso que sea lo suficientemente resistente como para sostener el peso del electrodoméstico cuando esté cargado.
- Deje el Refrigerador separado 5 pulgadas de las paredes atrás y de los costados para que haya buena circulación de aire. Ajuste los pies para mantener el refrigerador llano.
- Ubique el Refrigerador fuera de la luz directa del sol y otras fuentes de calor (horno, calentador, radiador, etc.). La luz directa del sol puede afectar la cubierta de acrílico y las fuentes de calor pueden aumentar el consumo eléctrico. La temperatura ambiente debajo de 50°F (10°C) o sobre 85°F (29.4°C) obstaculizará el funcionamiento de esta aplicación. Esta unidad no se diseña para el uso en un garage o ninguna otra instalación exterior.
- No coloque el Refrigerador en ambientes húmedos.
- Enchufe el Refrigerador en un toma corriente con la debida descarga a tierra utilizado exclusivamente para este aparato. No corte ni retire la tercera pata (descarga a tierra) del enchufe bajo ninguna circunstancia. Cualquier duda relacionada con la red de electricidad y/o la descarga a tierra debe resolverse con un electricista certificado o un centro de servicios autorizado. Esta unidad no se diseña para ser instalada en un RV o para ser utilizada con un inversor.
- Después de enchufar en el tomacorriente de pared, prende la unidad y permite la unidad enfríe durante 2 ó 3 horas antes de colocar alimentos en el interior.

CONEXIÓN ELÉCTRICA

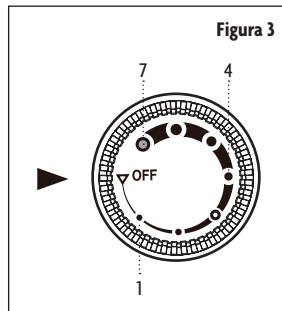
▲ advertencia: El uso indebido de la descarga a tierra puede causar golpes de corriente. Si el cable de alimentación está dañado, hágalo reemplazar con un service autorizado.

- El aparato debe estar adecuadamente conectado a tierra para su seguridad. El cable de electricidad de este electrodoméstico cuenta con un enchufe de tres patas apto para los tomacorrientes de pared con tres patas para minimizar las posibilidades de golpes de corriente.
- No corte ni retire la tercera pata de descarga a tierra del enchufe bajo ninguna circunstancia.
- Este equipo debe conectarse a un toma corriente de tres patas con descarga a tierra instalado en una red estándar de electricidad con corriente 115 Vold A.C. ~/60Hz.
- Este aparato no se diseña para ser utilizado con un inversor.
- El cable debe mantenerse recogido detrás del aparato; no debe dejarse a la vista ni colgando para prevenir accidentes.
- No desenchufar tirando del cable. Tome el enchufe con firmeza y tire en dirección opuesta al receptáculo.

INSTRUCCIONES DE FUNCIONAMIENTO

CONTROL DE TEMPERATURA

- Tu refrigerador tiene un control para regular la temperatura. El control de temperatura está ubicado en la esquina superior derecha del compartimiento interior.
- Al encender la unidad por primera vez, pon la perilla de control de temperatura en “7” y deja que funcione así por al menos 2 horas antes colocar alimentos dentro. Esto garantizará que el gabinete esté bien frío antes de depositar los alimentos.
- El rango de control de temperatura del refrigerador se extiende desde la posición “1” (frío mínimo) a la “7” (frío máximo). Ajusta el control de temperatura en la configuración que mejor se adecue a tus necesidades. Un configuración de “3” o “4” debe ser apropiada para el uso del refrigerador en hogar u oficina.
- Para apagar el refrigerador, pon la perilla de control de temperatura en “Off”. Ten en cuenta que tras girar la perilla de control de temperatura a la posición “Off” se detiene el ciclo de enfriamiento, pero no se desconecta el suministro de corriente al refrigerador.



▲ NOTA:

- Si la unidad se desenchufa o pierde potencia, tienes que esperar de 3 a 5 minutos antes de reiniciarla. Si intentas reiniciar antes de este retraso temporal, el refrigerador pudiera no arrancar.
- Grandes cantidades de alimento reducirán la eficiencia de enfriamiento del equipo.
- No colo ques alimentos sobre ni frente al escape de aire y deja espacio para que el aire circule.
- Si decides cambiar la configuración del termostato, ajusta su control en sucesión de unidad a unidad. Deja varias horas entre los ajustes para que la temperatura se establezca.

EL COMPARTIMIENTO FRIGORÍFICO

- La temperatura del compartimiento frigorífico pudiera no llegar a ser tan baja como para guardar todos los alimentos congelados y lo mejor sería que los alimentos estén ya congelados antes de guardarlos.
- Coloca los alimentos congelados dentro del compartimiento frigorífico tan pronto como sea posible después de comprarlos. En caso de instrucciones en el empaque de los alimentos, sigue cuidadosamente aquellas sobre tiempos de almacenaje.

CÓMO DESCONGELAR

- Descongela el refrigerador si la escarcha acumulada en el evaporador tiene unos 0.2” (5 mm) de grosor.
- Pon el dial del termostato en “OFF”. Retira los alimentos. Mantén la bandeja de desagüe en su lugar. Descongelar toma usualmente unas horas. Para descongelar rápidamente, retirar todos los alimentos del refrigerador y deja la puerta abierta. Nunca uses un cuchillo ni otro instrumento metálico para remover hielo o escarcha del evaporador.
- Tras descongelar, vierte el agua de la bandeja de desagüe, pon el dial del termostato en configuración máxima y deja pasar de 2 a 3 horas antes de retornar a la configuración deseada para empezar de nuevo a refrigerar.

▲ NOTA: Nunca uses instrumentos filosos ni puntiagudos para remover hielo del compartimiento frigorífico, ya que éste contiene líneas de gas refrigerante que, de pincharse o perforarse accidentalmente, pudieran dejar al refrigerador fuera de servicio y anular la garantía del fabricante.

LUZ LED

El refrigerador tiene una luz LED dentro para iluminación. En caso de que esta luz deje de funcionar, contacta al Departamento de Servicio al Cliente al teléfono 888-775-0202 para reemplazo.

CUIDADO Y MANTENIMIENTO

PARA LIMPIAR SU APARATO

- Una vez finalizada la instalación, se recomienda una limpieza completa de la unidad.
- Dé vuelta apagado al aparato primero y después desenchufe la unidad del enchufe de pared.
- Quite todo el contenido.
- Limpie el interior con un paño humedecido en una solución de agua tibia y bicarbonato de soda. La solución se prepara con aproximadamente 2 cucharadas de bicarbonato de soda y un cuarto de agua.
- Recuerde mantener limpia la junta de la puerta (burlete) para que la unidad funcione correctamente.
- La parte exterior del aparato se debe limpiar con una solución de agua tibia y detergente suave.
- Seque el interior y exterior con paño suave.

EN LAS VACACIONES

- Dé vuelta apagado al refrigerador primero y después desenchufe la unidad del enchufe de pared.
- Quite todo el contenido del alimento.
- Limpie el refrigerador.
- Deje la puerta apenas abierta para evitar la posible formación de condensación, moho u olores.
- Extreme los cuidados cuando haya niños. La unidad no debe ubicarse donde los niños puedan jugar con ella.
- Vacaciones cortas: Deje el Refrigerador en funcionamiento durante los periodos de vacaciones que no superen las tres semanas.
- Vacaciones largas: Si el electrodoméstico no se usa durante varios meses, retire todos los alimentos y desconecte de la red de electricidad. Limpie y seque cuidadosamente el interior. Para evitar la formación de olores y humedad, deje la puerta apenas abierta: si es necesario, trábela para que se mantenga abierta o retire la puerta.

PARA CAMBIAR DE LUGAR SU APARATO

- Dé vuelta apagado al refrigerador primero y después desenchufe la unidad del enchufe de pared.
- Quite todo el contenido del alimento.
- Asegure con cinta adhesiva los elementos sueltos en el interior del Refrigerador.
- Asegure la puerta con cinta adhesiva.
- Verifique que el Refrigerador se mantenga en posición vertical durante el traslado.

RECOMENDACIONES PARA AHORRAR ENERGÍA

- El Refrigerador se debe ubicar en el lugar más fresco de la habitación, alejado de las fuentes de calor y de caños de calefacción, y protegido de la luz del sol directa.
- Deje que los alimentos calientes se enfríen hasta llegar a la temperatura ambiente antes de colocarlos en el Refrigerador. Si se coloca una cantidad excesiva de alimentos en el Refrigerador, se fuerza el compresor a trabajar durante más tiempo. Los alimentos que tardan mucho en congelarse pueden perder calidad o echarse a perder.
- Asegúrese de envolver los alimentos adecuadamente y seque los envases antes de ubicarlos en el Refrigerador. Esto ayuda a reducir la formación de escarcha en el interior.
- Organice y etiquete los alimentos para reducir la cantidad de veces que abre la puerta y las demoras de la búsqueda. Retire todos los elementos que necesita de una sola vez y cierre la puerta lo antes posible.

SOLUCIÓN DE PROBLEMAS

Usted puede resolver muchos de los inconvenientes comunes que se producen con el aparato y ahorrarse el costo de llamar al servicio de mantenimiento. Intente las sugerencias a continuación para ver si puede resolver los problemas antes de llamar al service.

PROBLEMA	CAUSA POSIBLE
El Refrigerador no funciona.	<ul style="list-style-type: none"> No está enchufado. Se activó el corta corriente o se quemó un fusible.
El compresor se prende y se apaga con frecuencia.	<ul style="list-style-type: none"> La temperatura ambiente es más elevada que lo normal. Se ha colocado gran cantidad de alimentos en el Refrigerador. La puerta se abre con mucha frecuencia. La puerta no está completamente cerrada. La temperatura fijada en el control no es la correcta. La junta de la puerta no ajusta lo necesario. El Refrigerador no está lo suficientemente alejado de las paredes que lo rodean. El Refrigerador estuvo últimamente desconectado durante un período de tiempo. Se requieren 4 horas para que el Refrigerador se enfríe completamente.
La temperatura del interior del Refrigerador es muy elevada.	<ul style="list-style-type: none"> El control de temperatura está fijado a una temperatura muy elevada. Fije el control a una temperatura más baja y deje que la temperatura se estabilice durante varias horas. La puerta estuvo mucho tiempo abierta o se abrió con mucha frecuencia. Cada vez que se abre el Refrigerador entra aire caliente. Abra la puerta con menos frecuencia. La puerta no está completamente cerrada. La junta de la puerta no ajusta lo suficiente. Es posible que recientemente se haya guardado una gran cantidad de alimentos tibios o calientes. Espere hasta que el Refrigerador haya tenido la oportunidad de alcanzar la temperatura fijada. El Refrigerador estuvo últimamente desconectado durante un período de tiempo. Se requieren 4 horas para que el Refrigerador se enfríe completamente.
La temperatura del interior del Refrigerador es muy baja.	<ul style="list-style-type: none"> El control de temperatura está fijado a una temperatura muy baja. Fije el control a una temperatura más elevada y deje que la temperatura se estabilice durante varias horas.
La temperatura del exterior del Refrigerador es elevada.	<ul style="list-style-type: none"> Las paredes externas pueden llegar a tener una temperatura 30°F por encima de la temperatura ambiente. Esta situación es normal mientras el compresor trabaja para sacar el calor del interior del gabinete.
Ruidos de explosiones o rajaduras cuando el compresor empieza a funcionar.	<ul style="list-style-type: none"> Las partes metálicas se expanden y contraen como ocurre en las cañerías de agua caliente. Es normal. Los ruidos se normalizarán o desaparecerán a medida que el Refrigerador siga funcionando.
Ruidos burbujeantes parecidos al del agua hirviendo.	<ul style="list-style-type: none"> El refrigerante (utilizado para enfriar el Refrigerador) está circulando por el sistema. Es normal.
Vibraciones	<ul style="list-style-type: none"> Verifique que el Refrigerador esté sobre una superficie nivelada. El piso está despaseado o no es fuerte. El Refrigerador se balancea sobre el piso apenas se lo toca. Verifique que el piso soporta adecuadamente el Refrigerador. Nivele el electrodoméstico poniendo cuñas de metal o madera debajo del Refrigerador El Refrigerador está tocando la pared. Vuelva a nivelar y retirar de la pared. Lea las "Instrucciones de instalación".

<p>Se forma humedad en las paredes interiores del Refrigerador.</p>	<ul style="list-style-type: none"> • El tiempo está caluroso y húmedo, lo que ocasiona la mayor acumulación de escarcha en el interior. Es normal. • La puerta está apenas abierta. • La puerta está mucho tiempo abierta o se abre con mucha frecuencia. Abra la puerta con menos frecuencia. • La junta de la puerta no ajusta lo necesario.
<p>Se forma humedad en las paredes externas del Refrigerador.</p>	<ul style="list-style-type: none"> • La puerta está apenas abierta y el aire frío del interior se combina con el aire tibio del exterior.
<p>La puerta no cierra convenientemente.</p>	<ul style="list-style-type: none"> • El Refrigerador no está en una superficie nivelada. • La junta está sucia.



GARANTÍA LIMITADA

MC Appliance Corporation garantiza que todas las Refrigerador carecen de defectos en el material y la mano de obra y acuerda solucionar cualquiera de estos defectos o instalar la(s) parte(s) nueva(s) (a elección de la compañía) en caso de que la unidad haya fallado durante el periodo de garantía. Las partes y gastos de reparación están cubiertos en esta unidad por un periodo de un año a partir de la fecha de compra. Es necesario presentar una copia del recibo o factura de compra con fecha para obtener los servicios de la garantía, el reemplazo o el reembolso.

Además MC Appliance corporation autoriza el compresor (piezas solamente) para estar libre de defectos en material y la ejecución por un período de cinco años. El consumidor es responsable de todo el trabajo y los costos del transporte relacionados con la diagnosis y el reemplazo del compresor después de las uno garantías inicial del año expiran. Si en el acontecimiento la unidad requiere el reemplazo o el reembolso bajo términos de esta garantía el consumidor es responsable de todos los costos del transporte volver la unidad a nuestra fábrica antes de recibir una unidad o un reembolso del reemplazo.

Esta garantía cubre los aparatos que se usen dentro de los Estados Unidos contiguos, Alaska, Hawái y Puerto Rico. La garantía no cubre lo siguiente:

- Daños debido al daño del envío o a la instalación incorrecta.
- Daños debido al mal uso o abuso.
- Pérdidas de contenido debido a falla de la unidad.
- Componentes internos como paneles de puertas, estantes en la puerta, estantes, bombillas, etc.
- Las reparaciones se realizaron por los agentes desautorizados del servicio.
- Llamadas de servicio que no implican defectos en material y la ejecución tal como instrucción en el uso apropiado del producto o de la instalación incorrecta.
- Reemplazo o reajuste de los fusibles o de los interruptores de la casa.
- Falla de este producto si se usa con fines distintos a los que fue diseñado.
- Costes de la disposición de unidades falladas no vueltas a nuestra fábrica.
- Todos los gastos de entrega/instalación incurridos para una unidad que no cumple con lo especificado.
- Gastos de viajes y el transporte de los productos principales de servicio si su aparato está situado en una zona remota donde el servicio por un técnico de servicio no está disponible.
- La remoción y reinstalación de su gran aparato, si está instalado en un lugar inaccesible o no está instalado de conformidad con las instrucciones de instalación publicadas.
- Restituciones por productos no reparables se limita al precio pagado por la unidad por el recibo de compra.
- Esta garantía es intransferible. Esta garantía es válida exclusivamente para el comprador original y no se extiende a ningún otro propietario o propietarios subsiguientes.

Limitaciones de remedios y exclusiones:

La reparación del producto de acuerdo con los términos de este documento, es el único y exclusivo remedio determinado en esta garantía limitada. Todas y cada una de las garantías implicadas, incluyendo la calidad de comerciable y capacidad para un propósito particular, se limitan mediante la presente a un año o el periodo más corto permitido por la ley. MC Appliance Corporation no es responsable por daños incidentales ni resultantes y ningún representante o persona alguna están autorizados para asumir de parte nuestra ninguna otra responsabilidad en relación con la venta de este producto. Bajo ninguna circunstancia se le permite al consumidor regresar esta unidad a la fábrica sin consentimiento previo por escrito de MC Appliance Corporation. Algunos estados prohíben la exclusión o limitación por daños incidentales o resultantes, o limitaciones en las garantías implícitas. Esta garantía le otorga a usted derechos legales específicos, y usted puede también tener otros derechos que varían según la entidad federava donde se encuentre.

Modelo	Piezas & Trabajo	Compresor (Parte solamente)	Tipo de servicio
HMCR440WE/HMCR440BE	Uno año	Cinco años	Lleve adentro
HMCR440RE/HMCR440ME			

Para servicio o asistencia, llame por favor al **888-775-0202**. O visítenos en www.mcappliance.com para solicitar el servicio de garantía o repuestos.



CNA International, Inc., opera bajo el nombre comercial de MC Appliance Corporation. Todos los derechos reservados. El logo de Magic Chef® es una marca registrada de CNA International, Inc.

www.mcappliance.com

Impreso en China