

This Owner's Manual is provided and hosted by [Appliance Factory Parts](#).



MAGIC CHEF HVWC28ST Owner's Manual

[Shop genuine replacement parts for MAGIC CHEF
HVWC28ST](#)



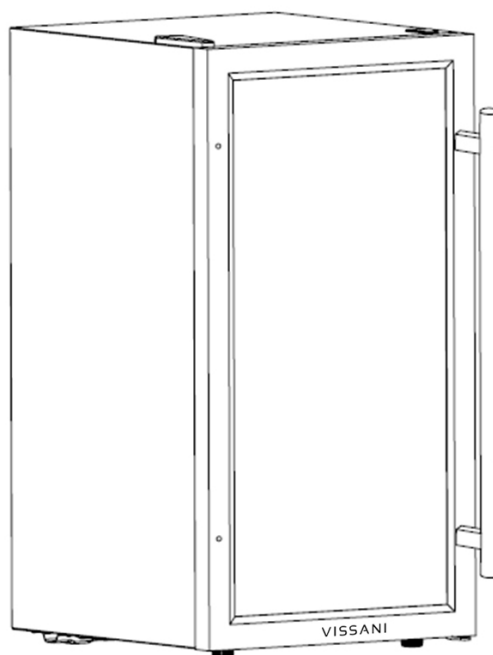
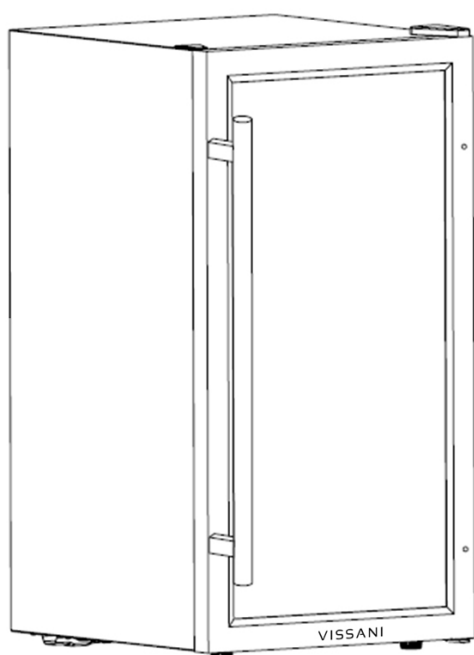
[Find Your MAGIC CHEF Refrigerator Parts - Select From 316 Models](#)

----- Manual continues below -----

VISSANI™

STAINLESS STEEL WINE / BEVERAGE COOLER INSTRUCTION MANUAL

Model No.: HVWC28ST
HVBC31ST



To ensure proper use of this appliance and your safety, please read the following instructions completely before operating this appliance.

Product Registration Copy

Thank you for purchasing a Vissani product. The first step in protecting your new product is to complete the product registration form on our website at **www.mcappliance.com/register** .The benefits of registering your product include the following.

1. Registering your product will allow us to contact you regarding a safety notification or product update.
2. In the event that warranty service is required, registering your product will allow for more efficient warranty service processing.
3. In the event of an insurance loss registering your product could act as your proof of purchase.

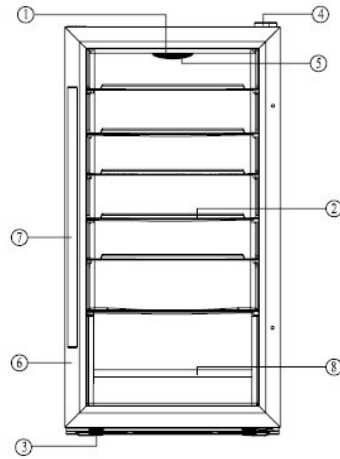
Once again thank you for purchasing a Vissani product.

TABLE OF CONTENTS

NAMES OF THE PARTS	3
SPECIFICATIONS	4
IMPORTANT SAFETY INSTRUCTIONS	5
INSTALLATION INSTRUCTIONS	
BEFORE USING YOUR APPLIANCE	5
FREE STANDING INSTALLATION	5
ELECTRICAL CONNECTION	6
INSTALLING THE HANDLE	6
APPLIANCE FEATURES	
HVWC28ST: WINE COOLER	7
HVBC31ST: BEVERAGE COOLER	7
OPERATING YOUR APPLIANCE.....	8
OPTIMIZING PERFORMANCE.....	8
CHANGING THE REVERSIBLE DOOR	9
CHANGING THE HANDLE	10
CARE AND MAINTENANCE	
CLEANING YOUR APPLIANCE.....	11
VACATION TIME.....	11
MOVING YOUR APPLIANCE.....	11
ENERGY SAVING TIPS.....	11
TROUBLESHOOTING GUIDE.....	12
APPLIANCE WARRANTY.....	13

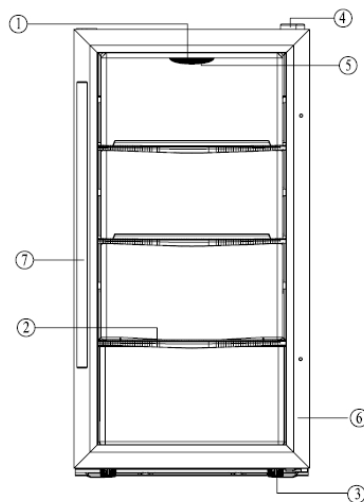
NAMES OF THE PARTS

MODEL NO.: HVWC28ST



- 1. Thermostat Dial
- 2. Wooden shelves
- 3. Adjustable foot
- 4. Door hinge cover
- 5. Interior LED light
- 6. Stainless steel door
- 7. Stainless steel handle
- 8. Wooden rack

MODEL NO.: HVBC31ST



- 1. Thermostat Dial
- 2. Glass shelves
- 3. Adjustable foot
- 4. Door hinge cover
- 5. Interior LED light
- 6. Stainless steel door
- 7. Stainless steel handle

SPECIFICATIONS – Model # HVWC28ST

Product Description	Vissani 28 Bottle Stainless Steel Wine Cooler		
Model No.	HVWC28ST		
Unit Dimensions (inches)	Width	Height	Depth
	17.0"	32.5"	20.5"(with handle)
Net Weight (lbs)	55 lbs		

SPECIFICATIONS – Model # HVBC31ST

Product Description	Vissani 3.1 cu.ft. Stainless Steel Beverage Cooler		
Model No.	HVBC31ST		
Unit Dimensions (inches)	Width	Height	Depth
	17.0"	32.5"	20.5"(with handle)
Net Weight (lbs)	59.8 lbs		

IMPORTANT SAFETY INSTRUCTIONS

<h2>WARNING</h2>	To reduce the risk of fire, electrical shock, or injury when using your appliance, follow these basic precautions:
<ul style="list-style-type: none">• Read all instructions before using the wine or beverage cooler.• DANGER or WARNING: Risk of child entrapment.• To avoid the possibility of child entrapment, please take the following precautions before disposing of this appliance.<ul style="list-style-type: none">- Remove all doors from the unit.- Leave the shelves in place so that children may not easily climb inside.• Never allow children to operate, play with, or crawl inside the appliance.• Refrigerants: All refrigeration products contain refrigerants, which under the guidelines of federal law must be removed before disposal of product. It is the consumer's responsibility to comply with federal and local regulations when disposing of this product.• Never clean appliance parts with flammable fluids. The fumes can create a fire hazard or explosion.• Do not store or use gasoline or any other flammable vapors and liquids in the vicinity of this or any other appliance. The fumes can create a fire hazard or an explosion. <p style="text-align: center;">-Save These Instructions-</p>	

INSTALLATION INSTRUCTIONS

Before Using Your Appliance

- Remove the exterior and interior packing.
- Before connecting the appliance to a power source, let it stand upright for approximately 4 hours. This will reduce the possibility of a malfunction in the cooling system from improper handling during transportation.
- Clean the interior surface with lukewarm water using a soft cloth. (See Cleaning Your Appliance section on page 10)
- THIS APPLIANCE IS DESIGNED FOR HOUSEHOLD USE ONLY

Free-Standing Installation

- This appliance is designed **only for free standing installation**.
- Place the appliance away from direct sunlight and sources of heat (stove, heater, radiator, etc.). Direct sunlight may affect the acrylic coating and heat sources may increase electrical consumption. Ambient temperature below 72°F (23°C) or above 78°F (26°C) may hinder the performance of this appliance.
NOTE: This unit is not designed for use in a garage or any outdoor installation.
- Avoid placing the appliance in moist or humid areas.
- Plug the appliance into a dedicated, properly installed and grounded wall outlet. Do not under any circumstances cut or remove the third (ground) prong from the power cord. Any questions concerning power and/or grounding should be directed toward a certified electrician or an authorized service center.
NOTE: This unit is not designed to be installed in an RV or to be used with an inverter.
- After plugging the appliance into a wall outlet, turn the unit on and allow the unit to cool down (operate) for 3 ~ 4 hours before placing wine bottles or beverages in the appliance.

Electrical Connection

⚡WARNING⚡

Improper use of the grounded plug can result in risk of electrical shock. If the power cord is damaged, have it replaced by an authorized service center.

This appliance must be properly grounded for your safety. The power cord of this appliance is equipped with a three prong plug which mates with a standard three prong wall outlet to minimize the possibility of electrical shock.

Do not, under any circumstances, cut or remove the third (ground) prong from the power cord supplied.

This appliance requires a standard 115 Volt A.C. / 60Hz electrical three-prong grounded outlet.

This appliance is not designed to be used with an inverter.

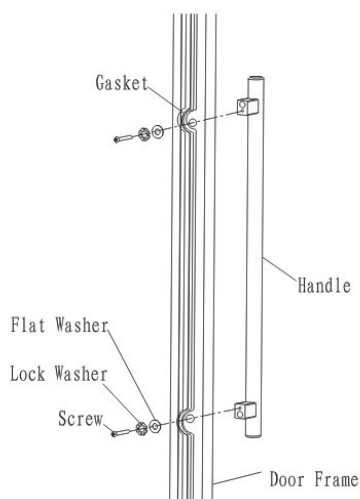
To prevent accidental injury, the power cord should be secured behind the appliance and not left exposed or dangling.

Never unplug the appliance by pulling the power cord. Always grip the plug firmly and pull straight out from the receptacle.

Do not use an extension cord with this appliance. If the power cord is too short, have a qualified electrician or service technician install an outlet near the appliance. Use of an extension cord can negatively affect the performance of the unit.

If any problems with the appliance persist, please contact our Customer Service to consult with a representative at **888 775-0202** or visit our website at www.mcappliance.com to request warranty service.

Installing the Handle:



- On the door interior, slightly pull back the door gasket on the side you wish to install the handle to reveal the two (2) designated holes for handle installation.
NOTE: Door gasket must not be removed, detached or altered as it may directly affect cooling performance. If you have any questions, please contact Customer Service at 888-775-0202 for further instructions.
- Using a screwdriver (not included), install the handle tightly as shown in the diagram above with the included screws, lock washers and flat washers (2 each).

APPLIANCE FEATURES

HVWC28ST: Wine Cooler

Wooden Wine Shelves

- Six (6) wooden wine shelves are included to store wine bottles.
- Any of the wine shelves can be removed to accommodate larger bottles.
- Shelves are designed to only pull out half way to allow for storage and removal of wine bottles.

To Remove a Shelf:

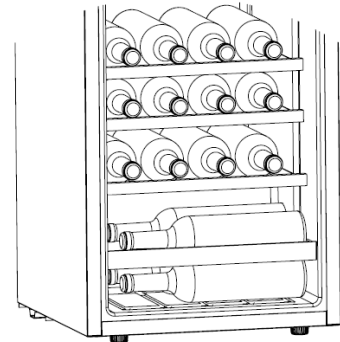
- Remove all bottles from the shelf.
- Lift the shelf upwards and then gently pull out the shelf.

To Replace a Shelf:

- Place the sides of the shelf back onto the supporting guides of the cabinet and push back until the shelf slides into place.

Bottle Arrangement

- Each shelf holds up to four (4) bottles.
- The bottom rack holds up to four (4) bottles.



HVBC31ST: Beverage Cooler



Glass Beverage Shelves

- Two (2) full and one (1) half glass shelves are included to store beverages.
- The shelves may be arranged on any supporting guide as preferred.
- Glass shelves can be removed to accommodate larger cans or bottles.

To Remove a Shelf:

- Remove all cans or bottles from the shelf.
- Lift the shelf upward and then gently pull out the shelf.

To Replace a Shelf:

- Place the sides of the shelf back onto the supporting guides of the cabinet and push back until the shelf slides into place.

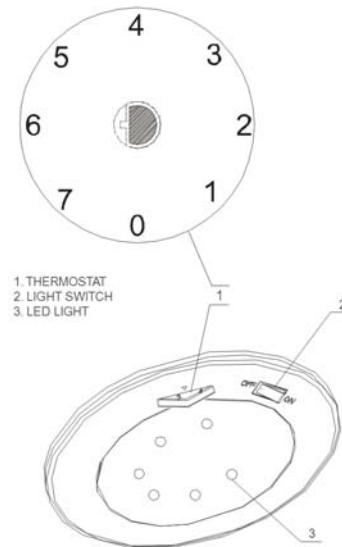
NOTE:

- Beverages must be stored properly to ensure cans or bottles do not hinder air circulation inside the cabinet. (See Temperature Control section on page 8)

OPERATING YOUR APPLIANCE

Temperature Control

- The temperature range of the wine cooler (HVWC28ST) is 39°F - 72°F (4°C - 22°C) ± 5°F.
- The temperature range of the beverage cooler (HVBC31ST) is 34°F - 59°F (1°C - 5°C) ± 5°F.
- Avoid setting the thermostat too high or the appliance may be unable to achieve satisfactory cooling temperatures. The temperature scale runs from 1 (cold) to 7 (coldest). The 0 position is an OFF setting which can be used when the appliance is standing empty.
- When storing bottles and cans in the appliance, keep them away from the rear wall of the unit. To allow proper circulation of cold air do not pack bottles and cans too tightly on the shelves and never place hot food inside the appliance.



WARNING: Do not set the temperature control to setting of “7” position for longer than 8 hours.

If the appliance is unplugged or loses power; you must wait 3 to 5 minutes before restarting the appliance. If you attempt to restart before this time, the appliance will not start.

- Changes in ambient temperature will affect the internal temperature of the appliance.
- If you choose to change the thermostat setting, adjust thermostat control by one increment at a time. Allow several hours for temperature to stabilize between adjustments.
- To switch the interior light, press the ON/OFF button.

OPTIMIZING PERFORMANCE

- To ensure maximum performance and efficiency, be sure to place your appliance in an area where there is proper air circulation. Make sure all electrical connections are secure and correct.
- Allow for proper clearance around the appliance. Below are the recommended clearances:

Sides: 3/4" (19 mm)

Top: 4" (100 mm)

Back: 2" (50 mm)

- For proper internal air circulation, do not overfill your appliance and do not allow bottles or cans to touch the rear wall of the unit.
- Do not place the unit in direct sunlight.
- Do not place heated beverages or foods in your beverage cooler.
- Do not store perishable food in your appliance. The unit's interior temperature may not be low enough to prevent spoilage.
- Do not place heavy objects on top of the appliance.

CHANGING THE REVERSIBLE DOOR

This appliance is designed with a reversible door feature. You have the option of configuring the door to open/close either from the left or the right side. In order to reverse the opening direction of your door, please follow these simple instructions. **NOTE: If desired, please change the door swing prior to installation.**

CAUTION: To avoid personal injury to yourself and/or damage to property, it is highly recommended that someone assist you during the door reversal process.

Door Removal

- Turn off the unit and disconnect the power plug from the wall outlet.
- Tilt the unit backwards and secure at an angle of 45 degrees.
- Remove the upper hinge cover (Fig.1: No.6).
- Remove the screws (Fig.1: No.1) that secure the upper hinge (Fig.1: No.5) to the frame. Remove the upper hinge (Fig 1: No. 5).
- Lift the door, remove from lower hinge and place it on a padded surface to prevent damage and scratches.
- Remove the screws (Fig 1: No.3) that hold the lower hinge, front leg and door stopper (Fig.1: No.2). Remove the lower hinge, front leg and door stopper (Fig. 1: No.2).
- Remove the front leg (Fig. 1: No. 4) and transfer to opposite side.
- Remove the handle (Fig. 1: No. 8) and install to the opposite side of door. (See Changing the Handle section on page 10).

Door Installation

- Remove the cover plate (Fig. 2: No.7) covering the upper hinge holes.
- Reverse the direction of lower hinge (Fig. 2: No. 2).
- Install the lower hinge, front leg and door stopper (Fig. 2: No. 2) on the lower frame with screws (Fig. 2: No. 3).
- Secure door onto lower hinge.
- Holding the door in the closed position, secure the upper hinge (Fig. 2: No. 5) to the door and screw into the frame (Fig. 2: No. 1). Note: Do not fully tighten the screws (Fig. 2: No. 1) until the top of the door is level with the top of the unit.
- Install upper hinge cover (Fig. 2: No. 6) over the upper hinge.

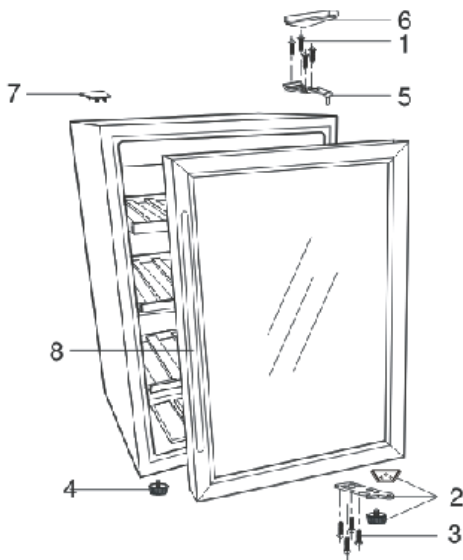


Fig. 1

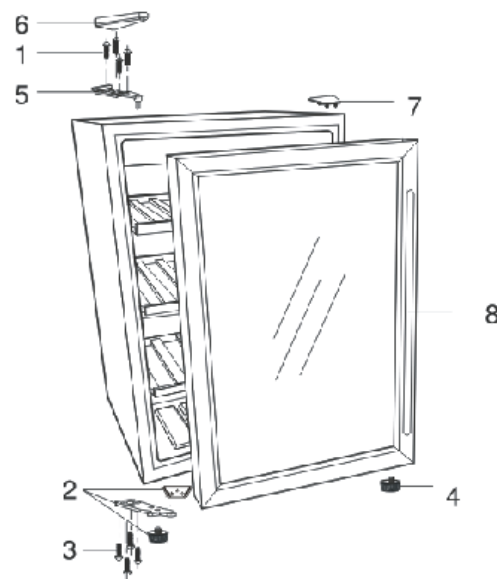


Fig. 2

Changing the Handle:

- Open the door and slightly pull back the door gasket behind to reveal the two (2) holes and screws that secure the handle to the door.
- Using a screwdriver (not included), remove the handle (Fig. 3: No. 8) by rotating the two (2) screws counterclockwise. Remove the screws and washers and place in a secure location. Place handle on a padded surface.
- On the opposite side of the door, you will notice two (2) filler screws (Fig. 3: No. 9) covering the holes where the handle is to be installed. Using a flathead screwdriver (not included) remove the two (2) filler screws (Fig. 3: No. 9) by rotating clockwise from the inside of the door.
Note: Do not attempt to remove these filler screws (Fig. 3: No. 9) from the exterior of the door as you cause damage to the stainless steel door frame.
- Mount the filler screws (Fig. 3: No. 9) over the holes on the opposite side of the door.
- Install the handle (Fig. 3: No. 8) on the desired side. (See "Installing the handle" section on page 6)

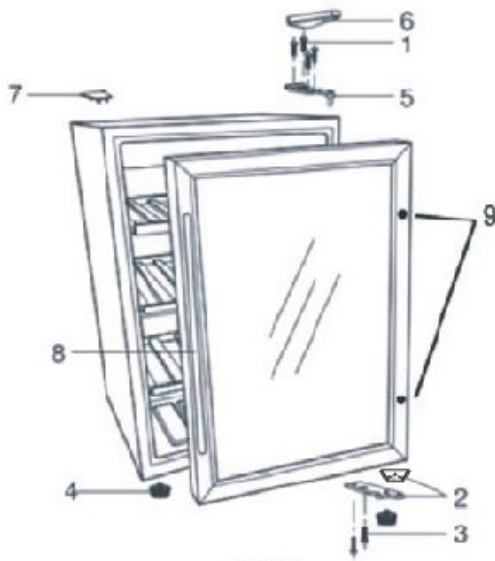


Fig. 3

CARE AND MAINTENANCE

Cleaning Your Appliance

- Upon installation of your new appliance, it is recommended that the unit be thoroughly cleaned.
- Turn off the appliance and unplug the unit from the wall outlet.
- Remove any contents.
- Wash the inside with a damp warm cloth soaked in lukewarm water and baking soda solution. The solution should be about 2 tablespoons of baking soda to 1 quart of water.
- Keep the door gasket (seal) clean in order to keep the unit running efficiently.
- The outside of the appliance should be cleaned with mild detergent and warm water.
- Dry the interior and exterior with a soft cloth.

Vacation

Short vacations (< 3 weeks):

- Appliance may be run under normal operating conditions during short vacations.

Long vacations (\geq 3 weeks):

- Turn off the appliance and unplug the unit from the wall outlet.
- Remove any contents.
- Clean the appliance.
- Leave the door open slightly to avoid condensation, mold and/or odors.

Moving Your Appliance

- Turn off the appliance and unplug the unit from the wall outlet.
- Remove any contents.
- Securely tape down all loose items inside your appliance.
- Tape the doors shut.

Energy Saving Tips

- The appliance should be located in the coolest area of the room, away from heat producing appliances or heating ducts and out of direct sunlight.
- Ensure the door is securely closed when the appliance is turned on.

TROUBLESHOOTING GUIDE

You can solve many common appliance problems easily, saving you the cost of a possible service call. Try the suggestions below to see if you can solve the problem before calling for service.

PROBLEM	POSSIBLE CAUSE
Appliance does not operate.	Not plugged in. The circuit breaker tripped or a blown fuse.
Temperature inside the appliance is too warm.	Temperature control is set too warm. Turn the control to a cooler setting and allow several hours for the temperature to stabilize. Door is kept open too long or is opened too frequently. Warm air enters the appliance every time the door is opened. Open the door less often. The door is not closed completely. The door gasket does not seal properly. The appliance has recently been disconnected for a period of time. 4 hours are required for the appliance to cool down completely.
Temperature inside the appliance is too cold.	Temperature control is set too cold. Turn the control to a warmer setting and allow several hours for the temperature to stabilize.
Vibrations.	Check to assure that the appliance is on a level surface. The appliance is touching the wall. Re-level the appliance and move it from the wall. If continued vibration occurs, turn off the appliance and unplug the power plug. Contact Customer Service for further assistance.
Moisture forms on inside appliance walls.	Door is slightly open. Door is kept open too long or is opened too frequently. Open the door less often. The door is not sealed properly.
Moisture forms on outside of appliance.	Door is slightly open, causing cold air from inside the appliance to meet warm moist air from outside.
The door will not close properly.	The appliance is not on a level surface. The gasket is dirty.

VISSANI™

Appliance Warranty

Unless otherwise prohibited, **MC Appliance Corporation** warrants each new appliance to be free from defects in material and workmanship and agrees to remedy any such defect or to furnish a new part(s) (at the company's option) for any part(s) of the unit that has failed during the warranty period. Parts and labor expenses are covered on this unit for a period of one year after the date of purchase. In addition, MC Appliance Corp. warrants the compressor (parts only) to be free from defects in material and workmanship for a period of 5 years. The consumer is responsible for all labor and transportation expenses related to the diagnosis and replacement of the compressor after the initial one-year warranty expires.

A copy of the dated sales receipt / invoice is required to receive warranty service or a refund. This warranty covers appliances in use within the continental United States, Puerto Rico and Hawaii. The warranty does not cover the following:

- Damages due to shipping damage or improper installation.
- Damages due to misuse or abuse.
- Content losses due to failure of the unit.
- Inside components such as door panels, door shelves, racks, light bulbs, etc.
- Punctures to the evaporator system due to improper defrosting of the unit.
- Repairs performed by unauthorized service agents.
- Service calls that do not involve defects in material and workmanship such as instruction on proper use of the product, door reversal or improper installation.
- Replacement or resetting of house fuses or circuit breakers.
- Failure of this product if used for other than for its intended purpose.
- Disposal costs for any failed unit not returned to our factory.
- Any delivery costs incurred as the result of a unit that fails to perform as specified.
- Expenses for travel and transportation for product service if your appliance is located in a remote area where service by an authorized service technician is not available.
- The removal and reinstallation of your appliance if it is installed in an inaccessible location or is not installed in accordance with published installation instructions.
- Liability under this warranty is limited to repair, replacement or refund. If a replacement unit is not available or the unit cannot be repaired, liability is limited to the actual purchase price paid by the consumer.
- This warranty is non-transferable.
- This warranty applies only to the original purchaser and does not extend to any subsequent owner(s).

This warranty is in lieu of all warranties expressed or implied and no representative or person is authorized to assume for us any other liability in connection with the sale of this product. Under no circumstances is the consumer permitted to return this unit to the factory without prior written consent from MC Appliance Corporation.

Model	Parts	Labor	Compressor	Type of Service (part only)
HVWC28ST	One-Year	One-Year	Five-Year	Carry In
HVBC31ST	One-Year	One-Year	Five-Year	Carry In

For Service or Assistance please call **888 775- 0202**. Or visit us on the web at www.mcappliance.com to request warranty service.