

This Owner's Manual is provided and hosted by [Appliance Factory Parts](#).



# MAGIC CHEF KLFP6B Owner's Manual

[Shop genuine replacement parts for MAGIC CHEF  
KLFP6B](#)



[Find Your MAGIC CHEF Food Processor Parts - Select From 4 Models](#)

----- Manual continues below -----



# KITCHEN *Living*

## 6-cup food processor

### USER GUIDE



Now that you have purchased a Kitchen Living product you can rest assured in the knowledge that as well as your 2-year parts and labor guarantee you have the added peace of mind of dedicated helplines and web support.

#### AFTER SALES SUPPORT

 USA 888 775 0202  [cshelp@mcappliance.com](mailto:cshelp@mcappliance.com)

MODEL: KLFP6B, ITEM # 44295-13

# Contents

---

03	Introduction
04	General Safety Instructions
06	Important Safety Instructions
08	Specifications
09	Parts and Features
12	Operation
14	Care and Cleaning
15	Warranty
17	Warranty Card
19	Index

# Introduction

---

Congratulations!

You have made an excellent choice with the purchase of this quality Kitchen Living product. By doing so you now have the assurance and peace of mind which comes from purchasing a product that has been manufactured to the highest standards of performance and safety, supported by the high quality standards of ALDI.

We want you to be completely satisfied with your purchase so this Kitchen Living product is backed by a comprehensive manufacturer's 2-year warranty and an outstanding after sales service through our dedicated After Sales Support.

We hope you will enjoy using your purchase for many years to come.

If you require technical support or in the unlikely event that your purchase is faulty, please telephone our After Sales Support for immediate assistance. Faulty product claims made within the 2-year warranty period will be repaired or replaced free of charge provided that you have satisfactory proof of purchase (keep your receipt). This guarantee is in addition to your statutory rights. Your statutory rights are not affected. This limited warranty does not apply in cases of damage caused by accident, improper use, abuse or force majeure.

This limited warranty will be invalidated if the appliance is tampered with in any way whatsoever. In case of questions or technical problems, please call the following toll-free After Sales Support number: 1-888-775-0202, Monday to Friday 7:30am to 7:00pm CST.

If the appliance has to be returned to us, it must be packed correctly as we cannot accept any responsibility for damage caused in transit.

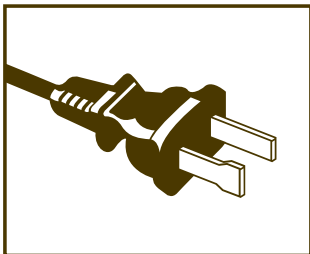
## THIS PRODUCT IS INTENDED FOR HOUSEHOLD USE ONLY

**WARNING:** Read and understand all safety precautions. Failure to follow all instructions described in this user guide may result in electric shock, fire and/or serious personal injury. The warnings, cautions and instructions discussed in this user guide cannot cover all possible conditions and situations that may occur. It must be understood by the user that common sense and caution are attributes which cannot be built into the appliance, but must be supplied by the user.

### Electric Power

If an electric circuit is overloaded with other appliances, the 6-cup food processor may not operate properly. The food processor should be operated on a separate electrical circuit from other operating appliances.

### Polarized Plug



The food processor has a polarized plug (one blade is wider than the other). To reduce the risk of electric shock, this plug is intended to fit into a polarized outlet only one way. If the plug does not fit fully into the outlet, reverse the plug. If it still does not fit, contact a qualified electrician. DO NOT attempt to modify the plug in any way. If the plug fits loosely into the AC outlet or if the AC outlet feels warm, DO NOT use that outlet.

**CAUTION:** A short power supply cord is provided to reduce the risk of becoming entangled in or tripping over a longer cord. An extension cord is not recommended for use with this product, but if necessary, the marked electrical rating must be at least as great as that of the product. If the product is of a 3-prong grounding type, the extension cord must be a grounding-type 3-wire cord. Arrange the extension cord so that it will not drape over the countertop or tabletop where it can be tripped over or pulled.

### Safety Warning

Although the 6-cup food processor is easy to operate, the warnings below must be followed for your safety:

- DO NOT place the appliance near a heat source.
- DO NOT use the appliance on an unstable surface.
- DO NOT unplug the appliance by pulling on the power supply cord.
- The appliance must be unplugged before any cleaning or maintenance.
- If the appliance appears to be faulty, it must be unplugged.

## SAVE THESE INSTRUCTIONS FOR FUTURE REFERENCE

# Important Safety Instructions 2

---

When using your 6-cup food processor, basic safety precautions should be observed, including the following:

1. Read all instructions before using your food processor.
2. DO NOT use this appliance for purposes other than its intended use.
3. Household use only. DO NOT use outdoors.
4. Close supervision is necessary when any appliance is used near children, incapacitated persons or pets.
5. Keep the appliance out of the reach of children and pets. This product is not intended for use by children or incapacitated persons.
6. Before using for the first time, ensure that the voltage of the unit corresponds to the voltage in your home.
7. Only operate the food processor on a level, stable surface.
8. To disconnect the food processor, ensure the unit has been turned off, then remove the plug from the wall outlet.
9. DO NOT operate the food processor with a damaged outlet.
10. DO NOT turn on the food processor unless it is properly assembled.
11. DO NOT leave the product unattended while it is in use. Always unplug the product from the electrical outlet when not in use.
12. DO NOT let the power supply cord hang over the edge of a table or counter, or touch hot surfaces.
13. Never move the appliance by pulling the power cord. DO NOT put any stress on the cord where it connects to the product as the cord may fray and break.
14. DO NOT operate the product if it has a damaged or cut power cord or plug, if wires are exposed, if it malfunctions or if it is dropped or damaged in any manner.
15. This product has no user-serviceable parts. DO NOT attempt to examine or repair this product yourself. Only qualified service personnel should perform any servicing.
16. DO NOT plug or unplug the product into or from an electrical outlet with a wet hand(s).
17. To protect against electric shock, DO NOT immerse the cord, plug or any electrical parts of the food processor in water or any other liquid.
18. DO NOT place the food processor on or near a hot gas or electric burner, or in or near a heated oven.

19. Always ensure the product is unplugged from the electrical outlet and that all parts have stopped before assembling, disassembling, relocating or before any maintenance or cleaning.
20. Always use the food pusher to move food down the feeder. Never use your fingers or utensils.
21. Keep your hands and utensils out of the food processor bowl when in use.
22. DO NOT open the cover of the food processor bowl until the blades or disc stop moving. Always switch the appliance OFF, and wait until the blades or disc come to a complete stop.
23. The blades and discs are extremely sharp and must be handled with care. Always hold the blade assembly by the stem. Hold the disc holder (with the slicing or shredding disc in place) by either finger grip.
24. DO NOT attempt to defeat the interlock mechanism used by the cover of the food processor bowl.
25. The use of attachments or accessories not recommended or sold by the manufacturer may result in damage to the appliance and/or may result in fire, electric shock or injury to persons.
26. A food scraper may be used, but only when the appliance is unplugged from the outlet and not in use.
27. Return the appliance to an authorized service center for examination, repair or adjustment.

## SAVE THESE INSTRUCTIONS FOR FUTURE REFERENCE

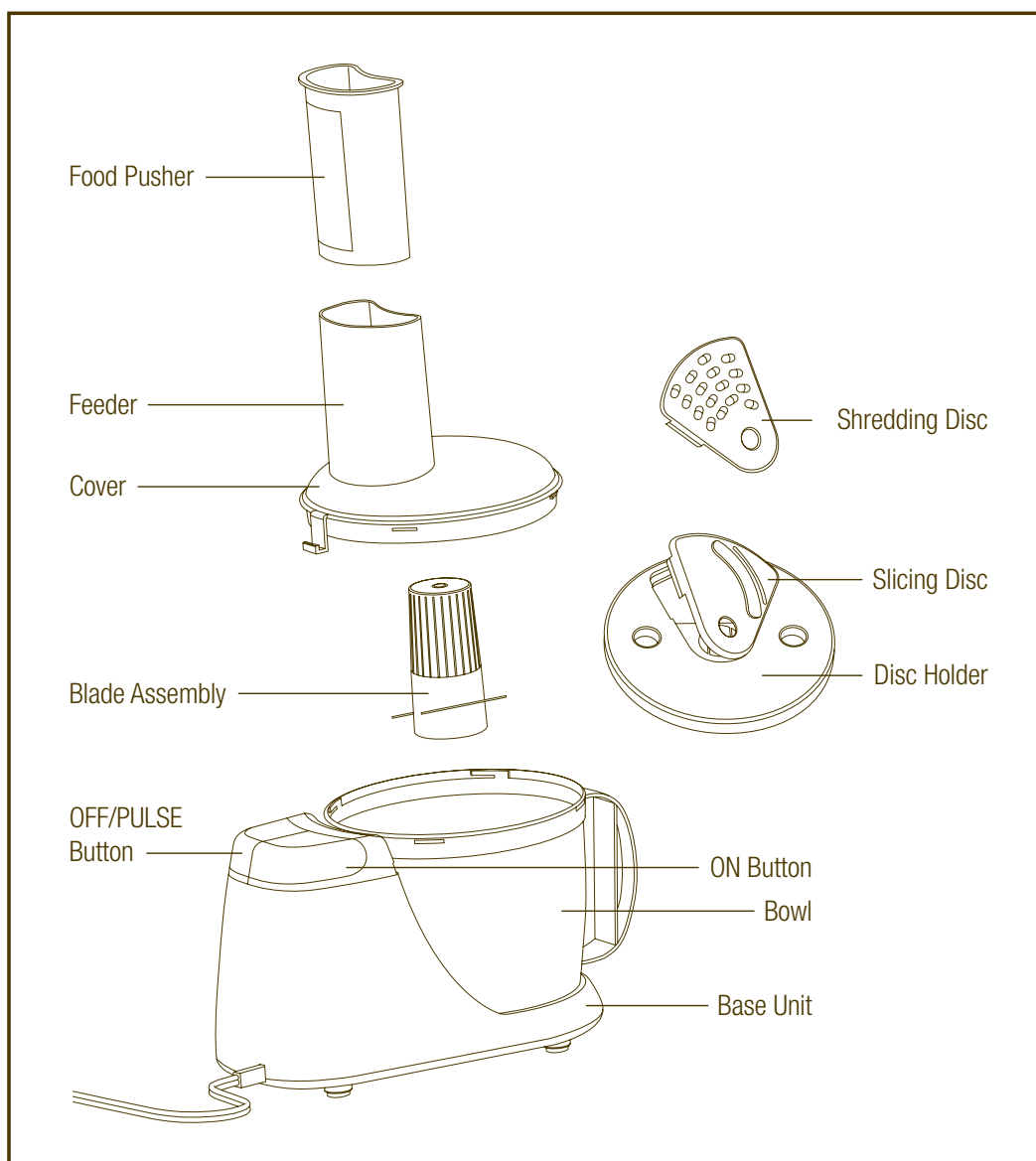
# Specifications

# 3

Voltage Rating	120V, 60Hz
Power Rating	250 Watts
Capacity	6 Cups
Product Dimensions	6.5" x 10.2" x 11.0" (W x D x H)
Net Weight	3.3 Lbs.

\* Due to continuing product development, design and specifications are subject to change without notice.

## Unit

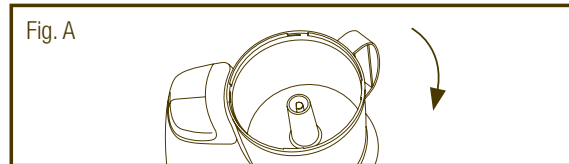


## Assembly

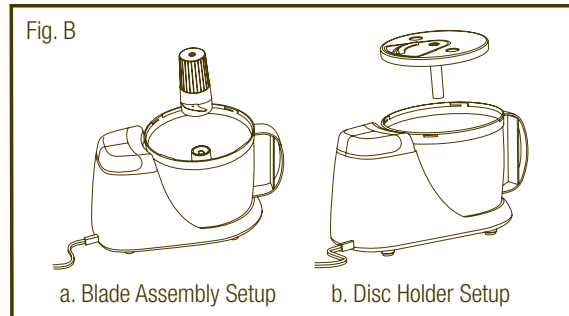
**CAUTION:** Exercise caution when handling, assembling or disassembling the various components of the food processor as they are sharp and may result in personal injury.

1. Carefully unpack the food processor and remove all packaging materials.

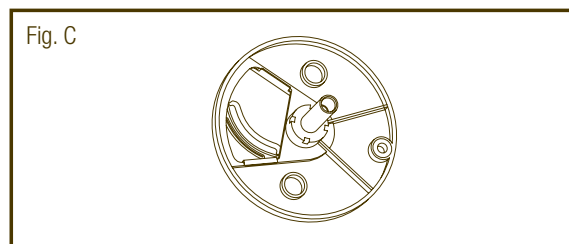
2. Place the bowl on the base unit over the center stem as shown and twist it clockwise to snap it into the locked position. (Fig. A)



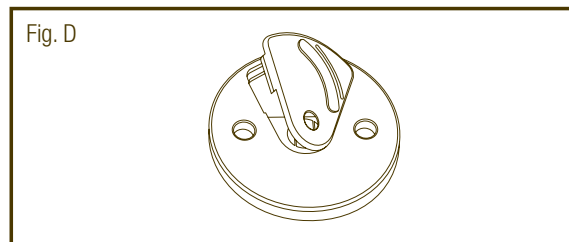
3. Place the blade assembly (blade end down) or the disc holder with either the shredding disc or slicing disc securely in place onto the center stem of the base unit/bowl. Turn the blade assembly or disc holder until it drops securely in place. (Fig. B)



4. To change the disc in the disc holder, turn the disc holder upside down, as shown, and push firmly against the right side of the disc until the disc pops out. (Fig.C)

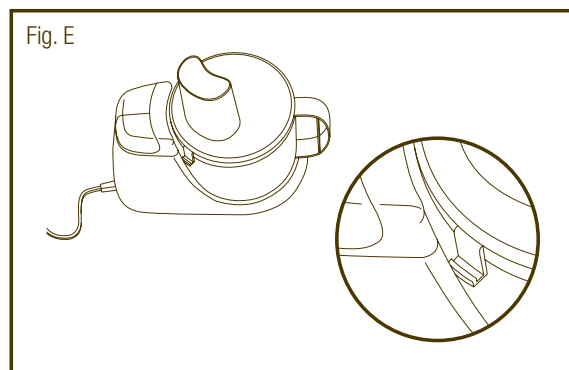


5. When placing a new disc into the disc holder, the disc holder should be right side up. Insert the right side of the disc, as shown, and push firmly on the left side until the disc pops into place. (Fig. D)



6. Place the cover on the bowl either over the blade assembly or disc holder. Twist clockwise to snap it into the locked position with the base unit. (Fig. E)

**NOTE:** There are arrows on the bowl and the cover that will help you line up the cover properly.

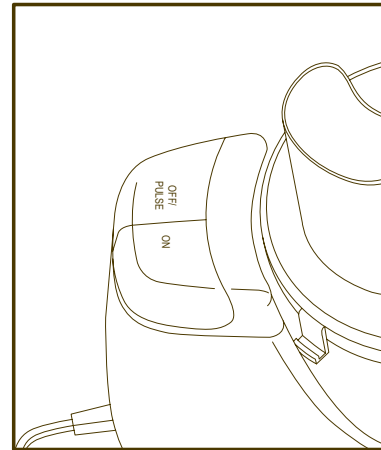


7. The food processor is now ready for use.

**NOTE:** The food processor has an interlock mechanism that will not allow the base unit to run if the bowl and the cover are not properly locked into the base unit.

## Control Panel

- a. OFF/PULSE: The OFF/PULSE button is used to turn off the food processor after the unit has been on or to turn it on for very short bursts of time. When using the food processor for the PULSE operation, you will need to push down and hold the OFF/PULSE button. The processor will shut off as soon as you release pressure on the button.
- b. ON: The ON button is used when shredding, slicing or mixing for more than a few seconds.



Before using your food processor for the first time:

**NOTE:** The blades and discs are very sharp; handle the components of the food processor carefully.

1. Wash all pieces, except the base unit, in warm soapy water. Rinse and dry thoroughly before the first use.
2. DO NOT immerse the base unit in water or any other liquid.

## Using Your Food Processor

1. The food pusher is used to gently push food down the feeder to safely facilitate the processing of food. Cut the food into small pieces before inserting into the feeder. Never use your fingers or other utensils to push down the food.
2. Press firmly on the food pusher but do not force it down the feeder.
3. A scraper may be used only when the food processor is off.
4. The food processor will not start if the bowl and the cover are not properly aligned and locked into the base unit.
5. DO NOT use the food processor without either the blade assembly or the disc holder (with the slicing or shredding disc) securely in place.
6. The blade assembly can be used for mincing boneless meat, nuts, onions and garlic.
7. The shredding disc can be used for shredding vegetables or cheese. If you are shredding softer cheeses (e.g. mozzarella) place the cheese in the freezer for 10-15 minutes before shredding. Ensure the shredding disc is securely in place and the unit is running before inserting the food to be shredded into the feeder.
8. The slicing disc can be used for slicing potatoes, carrots and similar food items.
9. DO NOT use the food processor to crush ice, coffee beans or similar hard substances as this can damage the blades.
10. The ON button is used when shredding, slicing or mixing for more than a few seconds.
11. The OFF/PULSE button is used to turn off the food processor after the unit has been on or to turn it on for very short bursts of time. When using the PULSE operation, you will need to push down and hold the PULSE button. The processor will shut off as soon as you release pressure on the button.
12. Unlock the cover by twisting it counterclockwise.
13. If applicable, remove the disc holder.

14. If the blade assembly was used, remove the bowl by twisting it counterclockwise before removing the blade assembly. This will prevent food from leaking through the center opening of the bowl.
15. Unplug the food processor and store it in a cool, dry location when not in use.

## Helpful Tips

- a. Be careful to not over-process your food. The pulse button offers the best control when using the food processor.
- b. For best results, cut food into smaller pieces that are approximately the same size.
- c. DO NOT overload the bowl; the bowl has maximum dry and maximum liquid markings on it to prevent overloading.
- d. DO NOT leave your food processor unattended when it is on. Always unplug the food processor when not in use.
- e. DO NOT use boiling liquids.
- f. Remove seeds and pits from food before putting the food into the food processor.
- g. Select foods that are firm and not overripe.
- h. Remove the core from hard vegetables such as cabbage.
- i. When slicing thinner vegetables, cut them just short of the length of the feeder and insert them vertically into the feeder so they cannot turn or tilt.
- j. Shred hard cheese (e.g. parmesan) at room temperature.
- k. Thoroughly chill soft and semi-hard cheeses in the freezer before shredding.
- l. Handle the blade assembly and the slicing and shredding discs with care, as they are very sharp.

**WARNING:** Always unplug the 6-cup food processor from the electrical outlet and allow the parts to stop completely before storing the unit or disassembling it for cleaning. Never immerse the base unit of the food processor in water or any other liquid.

1. Remove the cover, blade assembly or disc holder, bowl, and food pusher.
2. DO NOT use abrasive cleaners or scouring pads to clean any part of the product.
3. Wash the cover, blade assembly, disc holder (including the shredding and slicing discs), bowl, and food pusher using warm, soapy water. Rinse and dry parts thoroughly before storing.
4. Wipe the base unit with a damp cloth, sponge or paper towel. DO NOT immerse the base unit in water or run water over the base unit. Dry the surface with a soft cloth or paper towel before storing the unit.
5. Store the food processor in a cool, dry location. Do not place any heavy items on top of the food processor or any of its parts during storage, as this may result in possible damage to the food processor.

## Environmental Protection

If the appliance should no longer work, please make sure it is disposed of in an environmentally friendly way.



## Limited Warranty

MC Appliance Corporation warrants each new 6 Cup Food Processor to be free from defects in material and workmanship and agrees to remedy any such defect or to furnish a new part(s) (at the company's option) for any part(s) of the unit that has failed during the warranty period. Parts and labor expenses are covered on this unit for a period of two years after the date of purchase. A copy of the dated sales receipt/invoice is required to receive warranty service, replacement or refund.

This warranty covers appliances in use within the continental United States, Hawaii and Puerto Rico. The warranty does not cover the following:

- Damages due to shipping damage or improper installation
- Damages due to misuse or abuse
- Content losses due to failure of the unit
- Repairs performed by unauthorized service agents
- Service calls that do not involve defects in material and workmanship such as instruction on proper use of the product or improper installation
- Replacement or resetting of house fuses or circuit breakers
- Failure of this product if used in ways other than its intended purpose
- Disposal costs for any failed unit(s) not returned to our factory
- Any delivery or installation costs incurred as the result of a unit that fails to perform as specified
- Expenses for travel and transportation for product service if your appliance is located in a remote area where service by an authorized service technician is not available
- The removal and reinstallation of your appliance if it is installed in an inaccessible location or is not installed in accordance with published installation instructions
- Refunds for non-repairable products are limited to the price paid for the unit per the sales receipt

## Limitations of Remedies and Exclusions

Product repair in accordance with the terms herein, is your sole and exclusive remedy under this limited warranty. Any and all implied warranties including merchantability and fitness for a particular purpose are hereby limited to one year or the shortest period allowed by law. MC Appliance Corporation is not liable for incidental or consequential damages and no representative or person is authorized to assume for us any other liability in connection with the sale of this product. Under no circumstances is the consumer permitted to return this unit to the factory without the prior written consent of MC Appliance Corporation.

Some states prohibit the exclusion or limitation of incidental or consequential damages, or limitations on implied warranties. This warranty gives you specific legal rights, and you may also have other rights which vary from state to state.

Model  
KLFP6B

Parts & Labor  
Two Years

Type of Service  
Carry-In



# KITCHEN *Living*

## 6-cup food processor

**Your details:**

**Name** \_\_\_\_\_

**Address** \_\_\_\_\_

\_\_\_\_\_

\_\_\_\_\_



**E mail** \_\_\_\_\_

**Date of purchase\*** \_\_\_\_\_

\* We recommend you keep the receipt with this warranty card

**Location of purchase** \_\_\_\_\_

**Description of malfunction:**

**Return your completed warranty card to:**

**MC Appliance**

**777 Mark Street**

**Wood Dale, IL**

**60191**

**[cshelp@mcappliance.com](mailto:cshelp@mcappliance.com)**

**AFTER SALES SUPPORT**

 USA **888 775 0202**  **[cshelp@mcappliance.com](mailto:cshelp@mcappliance.com)**

**MODEL: KLFP6B, ITEM # 44295-13**

Phone lines available Mon to Fri, 7:30am - 7:00pm CST

**2**

**YEAR WARRANTY**



# Index

---

- 02 Contents
- 03 Introduction
- 04 General Safety Instructions
  - 04 Electric Power
  - 04 Polarized Plug
- 06 Important Safety Instructions
- 08 Specifications
- 09 Parts and Features
  - 09 Unit
  - 09 Assembly
  - 11 Control Panel
- 12 Operation
  - 12 Using Your Food Processor
  - 13 Helpful Tips
- 14 Care and Cleaning
  - 14 Environmental Protection
- 15 Warranty
  - 15 Limited Warranty
  - 15 Limitations of Remedies and Exclusions
- 17 Warranty Card

