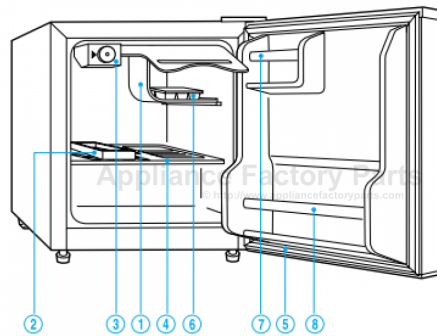


This Owner's Manual is provided and hosted by [Appliance Factory Parts](#).



MAGIC CHEF MCBR170S Owner's Manual

[Shop genuine replacement parts for MAGIC CHEF
MCBR170S](#)



[Find Your MAGIC CHEF Refrigerator Parts - Select From 316 Models](#)

----- Manual continues below -----


Refrigerator Warranty

Daewoo Electronic America, Inc warrants each new Refrigerator to be free from defects in material and workmanship and agrees to remedy any such defect or to furnish a new part(s) (at the company's option) for any part(s) of the unit that has failed during the warranty period. Parts and labor expenses are covered on this unit for a period of one year after the date of purchase. In addition Daewoo Electronics America, Inc warrants the compressor (parts only) to be free from defects in material and workmanship for a period of 5 years. The consumer is responsible for all labor and transportation expenses related to the diagnosis and replacement of the compressor after the initial one- year warranty has expired. If in the event the unit requires replacement or refund under the terms of this warranty the consumer is responsible for all transportation expenses to return the unit to our factory prior to receiving a replacement unit or refund. **A copy of the dated sales receipt / invoice is required to receive warranty service.**

This warranty covers appliances in use within the continental United States, Puerto Rico and Hawaii. The warranty does not cover the following:

- Damages due to shipping damage or improper installation.
- Damages due to misuse or abuse.
- Content losses due to failure of the unit.
- Inside components such as door panels, door shelves, racks, light bulbs etc...
- Punctures to the evaporator system due to improper defrosting of the unit.
- Repairs performed by unauthorized service agents.
- Service calls that do not involve defects in material and workmanship such as instruction on proper use of the product, door reversal or improper installation.
- Replacement or resetting of house fuses or circuit breakers.
- Failure of this product if used for other than its intended purpose.
- Disposal costs of failed units not returned to our factory.

This warranty is in lieu of all warranties expressed or implied and no representative or person is authorized to assume for us any other liability in connection with the sale of this product. Under no circumstances is the consumer permitted to return this unit to the factory without prior written consent from MC Appliance Corporation.

Model	Parts	Labor	Compressor (Part Only)	Type of Service
Refrigerator	One- Year	One- Year	Five Years	Carry In

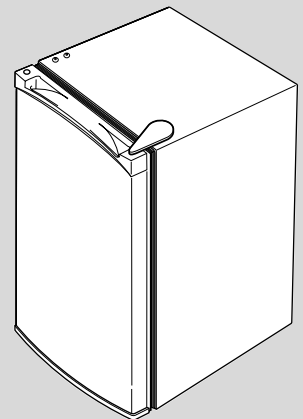
Model: **MCBR170B, MCBR170S, MCBR170W, MCBR270B, MCBR270S, MCBR270W, MCBR445B, MCBR445S, MCBR445W**

For Service or Assistance please call 800 553-4355 or 888 775-0202 or visit us on the web at www.magicchef-ewave.com



REFRIGERATOR INSTRUCTION MANUAL

Model No.: **MCBR170B MCBR270B MCBR445B**
MCBR170S MCBR270S MCBR445S
MCBR170W MCBR270W MCBR445W



- Before use, please read this manual carefully.
- Always remove the drain pan while this refrigerator is running.
- Removing the drain pan will enhance the cooling power and save your electric cost.

Before Putting Into Use

- Before connecting the appliance to the power supply, let it stand for about 2 hours, which will reduce a possibility of malfunctions in the cooling system due to transport handling.
- Clean the appliance, and be thorough, especially in the interior (See Cleaning and Maintenance).
- In case the interior accessories are not correctly placed, rearrange them as described in chapter "NAME OF THE PARTS".

Instructions for Use

These instructions for use are intended for the user. They describe the appliance and its correct and safe use. They were prepared for various types/modes of refrigerators therefore you may find in it description of some functions and accessories that your appliance does not have.

Tips for Energy Savings

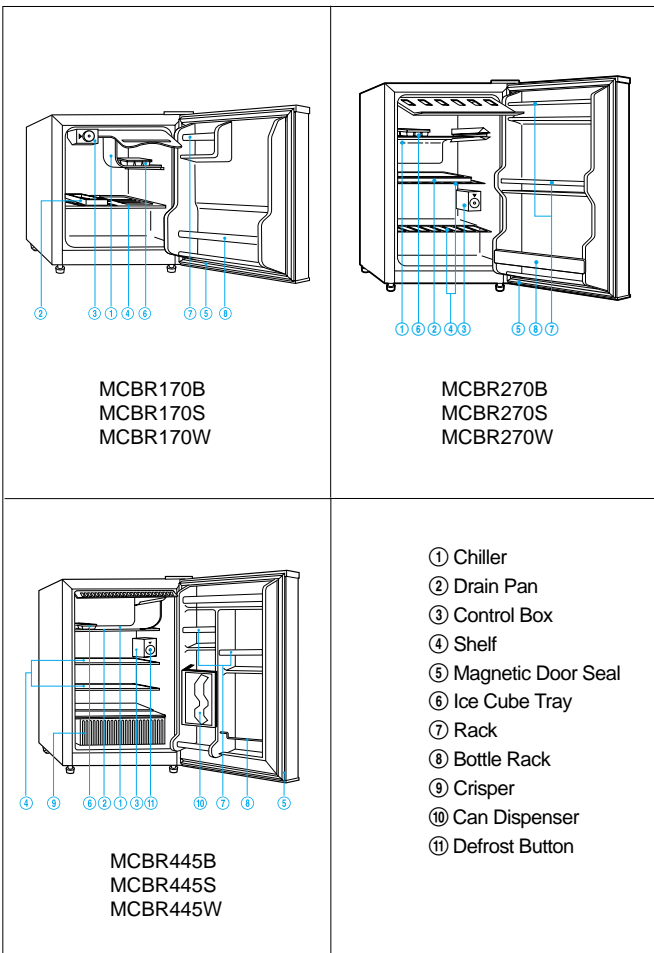
- Try not to open the door too often, especially when the weather is wet and hot. Once you open the door, mind to close it as soon as possible.
- Every now and then check if the appliance is sufficiently ventilated (adequate air circulation behind the appliance).
- Set thermostat from higher to lower settings as soon as possible (depends on how loaded the appliance is ambient temperature etc).
- Before loading the appliance with packages of fresh foods, make sure they are cooled to ambient temperature.
- Ice and frost layer increase energy consumption, so do clean the appliance as soon as the layer is 1/8" thick.

Important

- If you have bought this appliance to replace an old one equipped with a lock that cannot be opened from inside (lock, bolt), make sure that the lock is broken. This will make it impossible for children to lock themselves inside the appliance and suffocate.
- The appliance must be correctly connected to the power supply. (See: How to install)
- Do not touch the cooled surfaces while the appliance operates, especially not with wet hands, because the skin may stick to the cold surfaces.
- Do not freeze bottles containing liquid, especially not soft drinks, such as mineral water, sparkling wine, beer, cola etc., because liquid expands during freezing and the glass bottle is very likely to blow up.
- Do not eat frozen food (bread, fruit, vegetables), because you can get frostbites.
- If the food has strange smell or color, throw it away, because it is very likely that it is spoiled and therefore dangerous to eat.
- Disconnect the appliance from the power supply before repairing it (only a qualified technician should repair it), before cleaning.
- Do not defrost the appliance with other electric devices (hair dryer etc.) and never scrape the ice or frost layer with sharp tools.
- The rating plate is inside the appliance or outside on the rear wall.

DANGER: Risk of child entrapment. Before you throw away your old refrigerator or freezer: Remove all shelving so that children can not climb on.

NAMES OF THE PARTS



- ① Chiller
- ② Drain Pan
- ③ Control Box
- ④ Shelf
- ⑤ Magnetic Door Seal
- ⑥ Ice Cube Tray
- ⑦ Rack
- ⑧ Bottle Rack
- ⑨ Crisper
- ⑩ Can Dispenser
- ⑪ Defrost Button

3

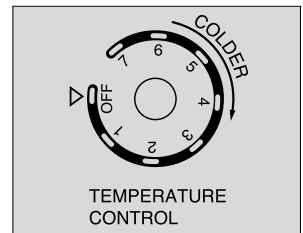
HOW TO OPERATE

Starting your new Refrigerator

1. Clean the refrigerator thoroughly. Wipe the outside with a soft dry cloth, the interior with a clean moist cloth.
2. Insert the power supply cord into the socket.
3. Turn the thermostat dial to "7". Close the door and let the refrigerator operate for 15-20 minutes.

Temperature control

To control the internal temperature, adjust the thermostat dial. The dial is numbered from 1-7. Number 1 is the warmest setting, number 7 the coldest. The dial may be set any place on the scale. It does not have to be set exactly on a number. To make ice cubes in the freezer compartment, adjust the thermostat to the coldest setting.



NOTE: Wait 3-5 minutes before restarting if you unplug the refrigerator. The unit may fail to operate properly if restarted too quickly.

How to defrost

■ **MCBR170B/MCBR170S/MCBR170W/MCBR270B/MCBR270S/MCBR270W**
Defrost the refrigerator when the frost accumulated on the evaporator is about 5mm (1/5inch) thick. Set the thermostat dial to "OFF". Remove frozen or perishable foods. Keep drip tray in place. Defrosting usually takes a few hours. To defrost quickly remove all foods from the refrigerator and leave the door open. **Never use a knife or other metal instrument to scrape ice/frost from the evaporator.** After defrosting, empty water from drip tray and return the thermostat dial to the desired position.

■ **MCBR445B/MCBR445S/MCBR445W**
Just push the defrost button to defrost refrigerator without any change of the thermostat dial. When the frost accumulated on the evaporator melts, refrigerator works without any additional operations. During defrosting, keep door closed and drip tray in place.

4

HOW TO CLEAN

Cleaners : Never use harsh, abrasive cleaners, heavy-duty cleaners, or solvents on any surface.

Exterior : Wipe with damp, sudsy cloth, rinse and dry. For stubborn stains and for periodic waxing, use silicon wax.

Freezer : When refrigerator needs defrosting turn thermostat dial to "OFF". Do not use sharp instruments to scrape off ice/frost.

Refrigeration Section : Wash shelves and other removable parts in warm sudsy water, rinse and dry. Wash interior with baking soda solution (3 Tablespoons to 1 Liter of water) or warm sudsy water, rinse and dry.

Magnetic Door Seals : Wash with warm sudsy water.

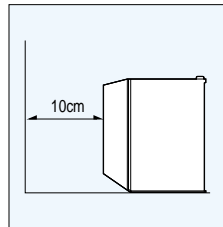
The Finishing Touch : Replace all parts and return thermostat dial to desired setting.

HOW TO INSTALL

■ Install refrigerator in a convenient location away from extreme heat and cold. Allow sufficient clearance between the refrigerator and side wall so the door will open without obstruction. Refrigerator is not designed for recessed installation.

■ Select a space with strong level floor.

■ Allow 5 inches of space between the refrigerator's side and the wall.



POWER CORD REPLACEMENT

If the refrigerator's power cord is damaged, have it replaced by a qualified repair agent.

WHAT TO DO...

When the fridge is not in use for a prolonged period:

- Remove the power plug from the power point.
- Remove all contents from the fridge.
- Dry the interior and leave the door open for a few days.

When you wish to move the fridge:

- Secure all movable parts and contents. (Package them separately if necessary.)
- Transport the fridge only in an upright position. In any other position you may damage the compressor.

Before calling service, please follow the checklist below. This may save you an expensive service call.

If the refrigerator seems too warm inside:

- Check that the door has not been opened too frequently or for too long.
- Check that the interior circulation is not obstructed by having too many goods stored. (The fridge is overloaded)
- Did you store anything hot, without first cooling it to room temperature?
- Is there sufficient clearance around all sides and above the fridge?

If the fridge starts making any unusual noises:

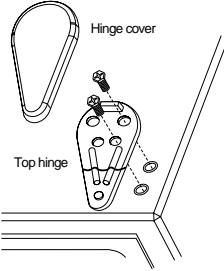
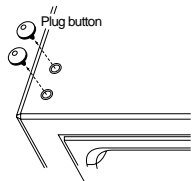
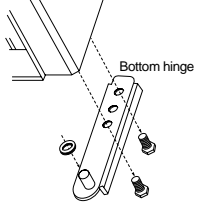
- Is it wobbling? Re-level it and check if it now operates normally.
- Have any objects fallen behind the fridge? If so, remove them and check if operation is now normal.
- Are any containers inside the fridge vibrating or resonating? If so, rearrange them then check to see if operation has returned to normal.

WARNING-Improper use of the grounding plug can result in a risk of electric shock. If it is necessary to use an extension cord, use only a 3-wire extension cord that has a 3-blade grounding plug and a 3-slot receptacle that will accept the plug on the appliance. The marked rating of the extension cord should be AC115-120V, 10A, or more. If a grounding adapter is used, make sure the receptacle box is fully grounded.

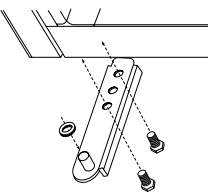
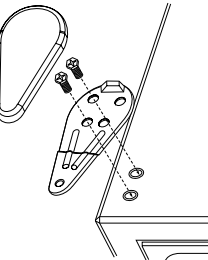
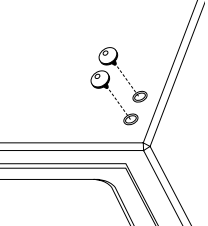
CHANGING THE REVERSIBLE DOOR

This refrigerator has been built with the door hinges on the right. If you wish to change the opening direction, follow the instruction below:

- Unplug the refrigerator from its electrical outlet.
- Empty everything in the refrigerator, including shelves, food, etc.

<ol style="list-style-type: none"> 1. Remove the hinge cover on the right top of the cabinet. 2. Remove the two screws (using a ratchet tool with a 8MM socket) that hold the top hinge to the cabinet. Keep these screws for later use. 3. Lift the top hinge straight up to free the pin from the socket on the top of the door. 4. Lift the door and place it on a padded surface to prevent scratching it. 	
<ol style="list-style-type: none"> 5. Remove the plug buttons from the upper left holes as illustrated and transfer them to the uncovered holes at the right side. Be sure to press the plug buttons firmly into the holes. 	
<ol style="list-style-type: none"> 6. Lay the cabinet on its side down on the floor. Remove the two screws that hold the bottom hinge to the cabinet using a 10MM socket. Keep these screws and washer for later use. 	

7

<ol style="list-style-type: none"> 7. Insert the bottom hinge at the left side using the two screws previously removed in step 6. NOTE: Do not tighten screws. 8. Stand the cabinet. 9. Replace the door making sure the bottom socket enters the bottom hinge pin. Be sure washer is in place. 	
<ol style="list-style-type: none"> 10. While holding the door in the closed position, secure the top hinge at the left side using the two screws previously removed at the beginning in step 2. Do not tighten the screws until the top of the door is leveled with the top cabinet. 11. Replace the hinge cover. 	
<ol style="list-style-type: none"> 12. Replace plugs. 	
<ol style="list-style-type: none"> 13. Tools required: -8MM & 10MM socket-ratchet. -Putty knife or thin-blade screwdriver. 	

8