

This Owner's Manual is provided and hosted by [Appliance Factory Parts](#).



# Char-Griller 8536 Owner's Manual

[Shop genuine replacement parts for Char-Griller 8536](#)



[Find Your Char-Griller Grill Parts - Select From 108 Models](#)

----- Manual continues below part list -----

## Available Replacement Parts for Char-Griller 8536

<a href="#">800049</a>	IGNITOR
<a href="#">900706</a>	Griddle
<a href="#">900500</a>	Swivel Caster Wheel
<a href="#">900551</a>	Spark Tips With Wire (1 PCS)

# OWNER'S MANUAL



## FLAT IRON

# PREMIUM GAS GRIDDLE

**Model #8536**



**Keep your receipt with  
this manual for Warranty.**

**CUSTOMER SERVICE  
1-912-638-4724  
Service@CharGriller.com**



**LEARN HOW TO SEASON  
YOUR NEW GRIDDLE!**

Contents of this manual are Trademarked and Copyrighted by Char-Griller® | A&J Manufacturing  
Using the information contained in this manual without consent of Char-Griller® and/or A&J Manufacturing is strictly prohibited.



# TABLE OF CONTENTS

Safety Warnings & Warranty.....	A-1
Assembly Instructions .....	B-1
Product Usage .....	C-1
Recipes .....	D-1
Accessories .....	E-1



## Danger

If you smell gas:

1. Shut off gas to the appliance.
2. Extinguish any open flame.
3. If odor continues, keep away from the appliance and immediately call your gas supplier or your fire department.



## Warning

1. Do not store or use gasoline or other flammable liquids or vapors in the vicinity of this or any other appliance.
2. An LP cylinder not connected for use shall not be stored in the vicinity of this or any other appliance.



## Warning

For Outdoor Use Only.



# IMPORTANT SAFETY WARNINGS

**A propane gas cylinder is required for operation. This gas grill is not intended for commercial use.**

**SAVE THESE INSTRUCTIONS FOR FUTURE REFERENCE. IF YOU ARE ASSEMBLING THIS UNIT FOR SOMEONE ELSE, GIVE THIS MANUAL TO HIM OR HER TO SAVE FOR FUTURE REFERENCE.**

**WARNING:**

Improper installation, adjustment, alteration, service, or maintenance could cause injury or property damage. Read the installation, operation, and maintenance instructions thoroughly before assembling or servicing this equipment. Failure to follow these instructions could result in fire or explosion that could cause property damage, personal injury, or death.

**DANGER:**

DO NOT use gas grill for indoor cooking or heating. TOXIC fumes can accumulate and cause asphyxiation. Do not use in or on boats or recreational vehicles.

**WARNING:**

Accessible parts may be very hot. Keep young children away. Read the instruction literature before using the appliance. The use of unauthorized parts can create unsafe conditions and environment.

**NOTE:** The use and installation of this product must conform to local codes or, in absence of local codes, the Natural Gas and Propane Installation Code, CSA B149.1, or the Propane Storage and Handling Code, CSA B149.2.

**IMPORTANT NOTICE:** Read all instructions prior to assembly and use. Read and understand all warnings and precautions prior to operating your grill.

**READ ALL SAFETY WARNINGS AND INSTRUCTIONS CAREFULLY BEFORE ASSEMBLING AND OPERATING YOUR GRILL**



**WARNING:** FUELS USED IN LIQUEFIED PROPANE GAS APPLIANCES, AND THE PRODUCTS OF COMBUSTION OF SUCH FUELS, CAN EXPOSE YOU TO CHEMICALS INCLUDING BENZENE, WHICH IS KNOWN TO THE STATE OF CALIFORNIA TO CAUSE CANCER AND CAUSE BIRTH DEFECTS OR OTHER REPRODUCTIVE HARM. For more information go to: [www.P65Warnings.ca.gov](http://www.P65Warnings.ca.gov).

**ADVERTENCIA:** LOS COMBUSTIBLES USADOS EN EQUIPOS PARA LICUAR GAS PROPANO, ASÍ COMO LOS PRODUCTOS DE SU COMBUSTIÓN, PUEDEN EXPONERTE A SUSTANCIAS QUÍMICAS, ENTRE ELLAS EL BENCENO, QUE EL ESTADO DE CALIFORNIA RECONOCE COMO CAUSA DE CÁNCER Y DE MALFORMACIONES CONGÉNITAS Y OTROS DAÑOS AL SISTEMA REPRODUCTOR. Para más información, visite [www.P65Warnings.ca.gov](http://www.P65Warnings.ca.gov)

Read the following instructions carefully and be sure your barbecue is properly assembled, installed and maintained. Failure to follow these instructions may result in serious bodily injury and/or property damage. If you have any questions concerning assembly or operation, consult your dealer or LP gas company.

- When used, always place the appliance and gas bottle on flat level ground. Grill can be used with 20lb gas cylinder. This grill is designed to operate at an inlet pressure of: 11 inches water column.
- Purchase LP cylinders only with these required measurements: 12" (30.5 cm) (diameter) x 18" (45.7 cm) (tall) with 20lb (9kg) capacity.
- DO NOT move the appliance during use.
- DO NOT attempt to disconnect any gas fittings while barbecue is in use.
- DO NOT use gas bottle if the bottle and/or valve are damaged, rusty, or dented as this may be hazardous. Contact your supplier to have it checked.
- DO NOT lean over an open grill and be mindful of hands/fingers near the edge of the cooking area.
- Should a fire occur, turn off all gas burners, close the lid, and stand back from grill until fire is out.
- Should flames go out while in operation, turn off all gas valves and leave lid open. Return to grill after five minutes and try to relight the burners – following lighting instructions.
- Keep children and pets away from grill when in use. Some parts of the grill will become very hot.
- When cleaning the valves and burners, be careful not to stretch the valve orifices or burner ports.
- Move gas hoses as far away as possible from hot surfaces and dripping hot grease.
- Gas may still be present in a cylinder that appears to be empty. Adhere to proper transportation/storage of the cylinder at all times.
- If gas is leaking from cylinder, move away from cylinder immediately and call your gas supplier or fire department. DO NOT try to address problem yourself.
- DO NOT use a flame to check for gas leaks.
- DO check for gas leaks and any obstructions to burners before use. This is especially important after a period of storage or non-use.
- The flexible tube should be changed whenever it is damaged or cracked or by expiration date printed on the tubing. Or, change tube every five (5) years.
- Always connect or replace cylinder in a well-ventilated area, and never in the presence of a flame, spark or heat source.
- Grill must be kept away from flammable materials.
- Turn off gas supply at gas container after use.
- Do not alter this grill in any manner.
- Do not touch metal parts of grill until it has completely cooled (about 45 minutes) to avoid burns, unless you are wearing protective gear (BBQ mittens, pot holders, etc.).
- Note that parts sealed by manufacturer or its agent must not be altered.



- When assembling the grill, position the connection flexible tube so that it is protected against twisting.
- Stay away from any source of ignition when changing gas container.
- When assembling the grill, do not obstruct ventilation openings of grill's container compartment. We reserve the right to make minor technical adjustments to the device.
- When cooking with oil/grease, do not allow the oil/grease to exceed 350°F (177°C). Do not store or use extra cooking oil in the vicinity of this or any other appliance.

## **CAUTION**

1. Never fill the LP cylinder beyond 80% full, as this may result in a fire and cause serious injury or death.
2. DO NOT store a spare LP cylinder under or near this grill, and:
3. If the instructions in 1 and 2 are not followed exactly, a fire causing death or serious injury may occur. This grill is for use with propane gas only (propane gas cylinder not included).
4. Place dust cap on LP cylinder valve outlet whenever the LP cylinder is not in use. Only install the type of dust cap on the LP cylinder valve outlet that is provided with the LP cylinder valve. Other types of caps or plugs may result in leakage of propane.
5. Never attempt to attach this grill to the self-contained propane system of a camper trailer, motor home or house.
6. Do not use gasoline, kerosene or alcohol for lighting. The LP gas supply cylinder must be constructed and marked in accordance with the specifications for propane gas cylinders of the U.S. Department of Transportation (DOT) CFR 49.
7. The gas supply cylinder must be provided with a listed overfilling prevention device.
8. The gas supply cylinder must be provided with a cylinder connection device compatible with the connection for outdoor cooking appliances.
9. This grill is not intended for use on recreation vehicles and/or boats.
10. Do not use grill unless it is completely assembled and all parts are securely fastened and tightened.
11. Keep all combustible items and surfaces at least 10 ft (3.05 M) away from grill at all times.
12. DO NOT use this grill or any gas product near unprotected combustible constructions.
13. Do not use in an explosive atmosphere. Keep grill area clear and free from combustible materials, gasoline and other flammable vapors and liquids.
14. Never keep a filled container in a hot car or car trunk. Heat will cause gas pressure to increase, which may open relief valve and allow gas to escape.
15. Keep grill's valve compartment, burners and circulating air passages clean. Inspect grill before each use.

## **WARNING**

- This grill is for outside use only, and should not be used in a building, garage, or any other enclosed area.
- The use of alcohol, prescription or non-prescription drugs may impair the operator's ability to properly assemble or safely operate the grill.
- Always open grill lid slowly and carefully as heat and steam trapped within the grill can burn you severely.
- Always place grill on a hard, level surface far away from combustibles. An asphalt or blacktop surface may not be acceptable for this purpose.
- Do not leave a lit grill unattended. Keep children and pets away from grill at all times.
- Do not place grill on any type of tabletop surface.
- Do not use grill in high winds.
- Disconnect the propane tank (LP tank) by first turning off valve on top of propane tank, turn off burner valves, then disconnect regulator from valve on propane tank by turning plastic connector counter clockwise. Unscrew wing-bolt in bottom shelf to release the tank for removal.

## **DANGER**

- Liquid propane (LP) gas is flammable and hazardous if handled improperly. Know its characteristics before using any propane product.
- Propane Characteristics: flammable, explosive under pressure, heavier than air and settles in pools and low areas.
- In its natural state, propane has no odor. For your safety, an odorant has been added.
- Contact with propane can cause freeze burns to skin.
- Never use a propane cylinder with a damaged body, valve, collar or footing.
- Dented or rusted propane cylinders may be hazardous and should be checked by your propane gas supplier.
- Use caution when assembling and operating your grill to avoid scrapes or cuts from sharp edges.
- Use caution when moving grill to prevent strains.
- Never move grill when it is in use or hot.
- Make sure to empty grease tray after every use once completely cooled.
- To protect against bacteria that could cause illness, keep all meats refrigerated and thaw in refrigerator or microwave. Keep raw meats separate from other foods, and wash everything that comes in contact with raw meat.
- Cook meat thoroughly, and refrigerate leftovers immediately.
- Use a calibrated food thermometer and the USDA guidelines to ensure that meat, poultry, seafood, and other cooked foods reach a safe minimum internal temperature.



- Always have a fire extinguisher near at all times. Maintain and check your fire extinguisher regularly.
- Non-rechargeable batteries are not to be recharged.
- Do not mix different types of batteries such as alkaline, carbon-zinc, or rechargeable batteries.
- Do not mix old and new batteries.
- Exhausted batteries are to be removed from the product.
- Batteries included.
- **DO NOT DISPOSE OF BATTERIES IN FIRE. BATTERIES MAY EXPLODE OR LEAK.**

# \*\*\* STOP! CALL FIRST! \*\*\*

## Do NOT Return Product to Store.

This grill has been made according to the highest of quality standards. If you have any questions not addressed in this manual or if you need parts please call our Customer Service Department at 1-912-638-4724 (USA) or email Char-Griller® at: [Service@CharGriller.com](mailto:Service@CharGriller.com) and have your serial number handy.

## **REGISTER YOUR GRILL:**

To take full advantage of the Char-Griller® warranty be sure to register your grill by visiting [www.CharGriller.com/Register](http://www.CharGriller.com/Register) or calling Customer Service at 1-912-638-4724.

Registration provides important protections:

1. In the extremely unlikely event of a product recall Char-Griller® can easily contact you and rectify the issue.
2. If a warrantied part is broken or missing we can send you the needed parts promptly.

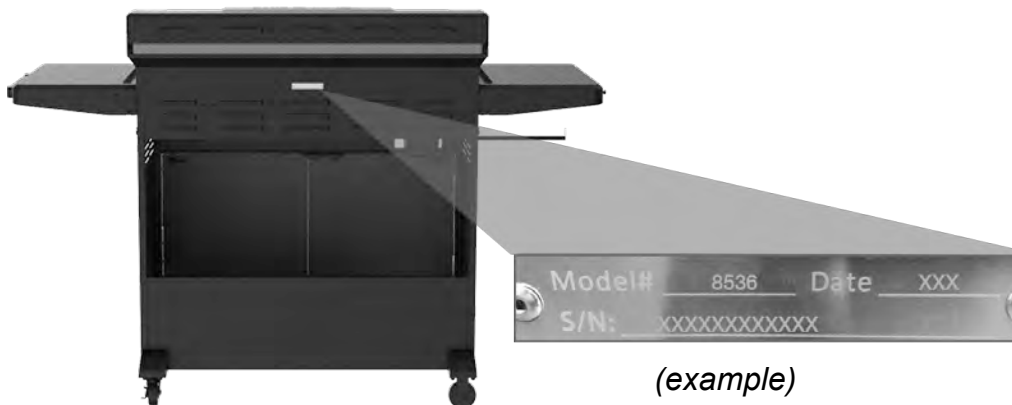
*NOTE:* You will need your model #, serial number, and a copy of the original sales receipt when registering.



### Document Your Serial Number HERE:

(Serial number is located on the back of the griddle body or on the leg.)

\_\_\_\_\_  
**(SERIAL #)**



*(example)*



# WARRANTY INFORMATION

**A COPY OF THE DATED PROOF OF PURCHASE (RECEIPT) IS REQUIRED WHEN REGISTERING OR SUBMITTING A WARRANTY\* CLAIM. PLEASE RETAIN A COPY OF THE RECEIPT FOR YOUR RECORDS.**

Char-Griller® will replace any defective part of its grillers/smokers, under warranty, as outlined below.

**PLEASE READ THIS INFORMATION IN DETAIL AND IF YOU HAVE ANY QUESTIONS CONTACT CUSTOMER SERVICE AT 1-912-638-4724 OR SERVICE@CHARGRILLER.COM.**

<b>Charcoal / Pellet / Kamado Grills</b>	
Grill - Hood and Body (excludes removable Ash Pan)	5 years from date of purchase for rust through / burn through
Ash Pan and Defective Parts	1 year from date of purchase
<b>Gas Grills</b>	
Grill Hood and Main Burner Tubes (excludes Side Burner)	5 years from date of purchase for rust through / burn through
Grill Body and Side Burner and Defective Parts	1 year from date of purchase
<b>Griddles</b>	
All Defective Parts	1 year from date of purchase
<b>Dual Fuel Grills (Gas &amp; Charcoal)</b>	
Charcoal Grill - Hood and Bottom and Gas Grill Hood (TOP half) and Main Burner Tubes (excludes Ash Pan and Side Burner)	5 years from date of purchase for rust through / burn through
Ash Pan and Defective Parts and Gas Grill Body (BOTTOM half) and Side Burner	1 year from date of purchase
<b>Parts, Accessories, and Grill Covers</b>	1 year from date of purchase (seam tears only for covers)

## **SURFACE RUST IS NOT CONSIDERED A MANUFACTURING OR MATERIALS DEFECT**

Char-Griller grills are made of steel and if exposed to the elements rust will occur naturally. Please refer to the section entitled, "Usage" to review how to care for your grill properly.

Surface issues such as scratches, dents, corrosion or discoloring by heat, abrasive and chemical cleaners, surface rust or the discoloration of steel surfaces are NOT covered under these warranties.

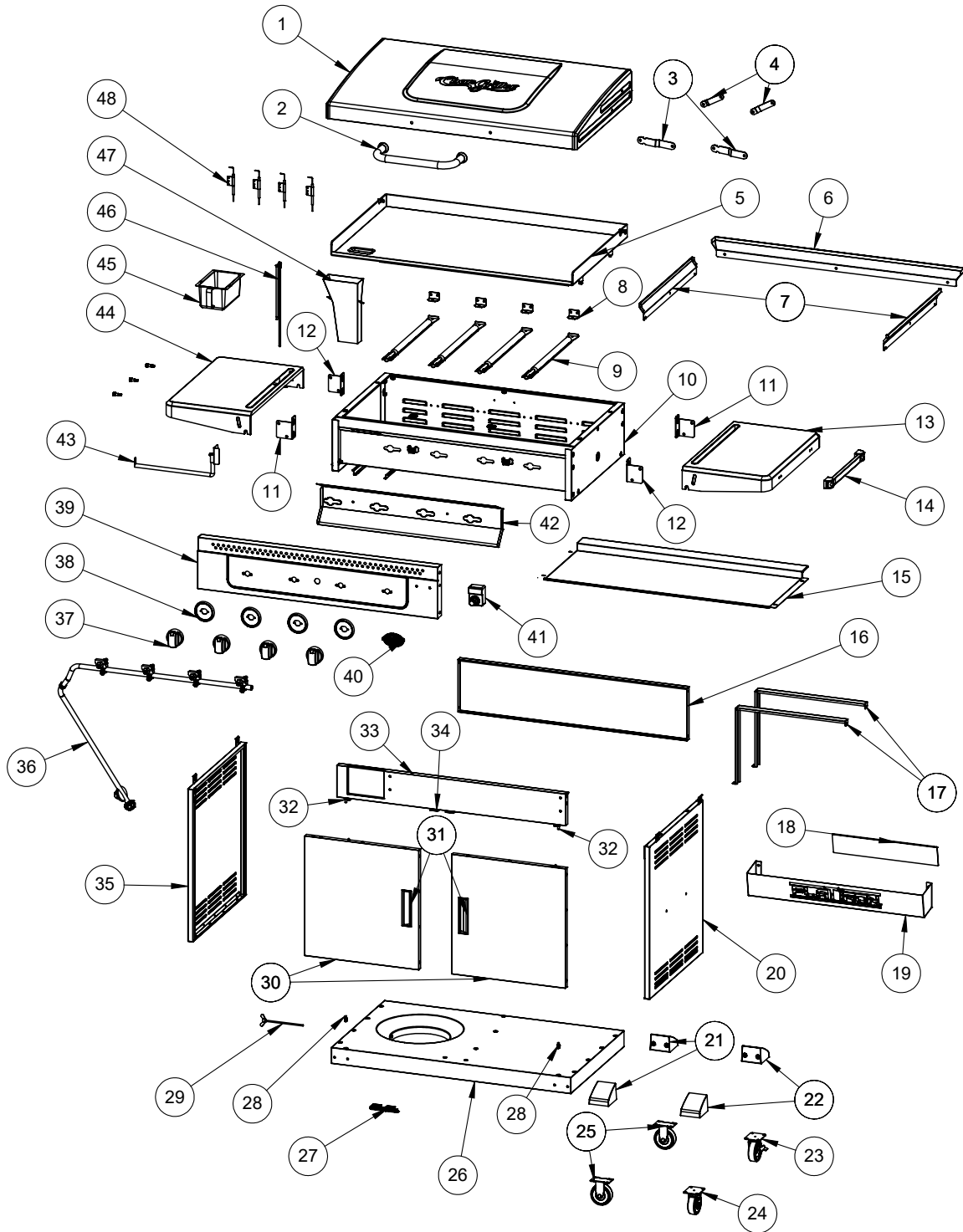
Warranties are for the replacement of defective parts only. Char-Griller is not responsible for damage resulting from accident, alteration, misuse, abuse, hostile environments, improper installation, and installation not in accordance with local codes of service of unit.

### **Excluded Under ALL Warranties**

Paint; Surface Rust; Heat Damage; Incorrect Parts ordered by customer, including shipping; Worn Parts; Missing or damaged parts not reported within two (2) months of purchase date; Defective parts not reported within one (1) year of purchase date; Fading grill cover.

\*NOTE: For warranty claims, photos and prepaid return of the item in question may be required. Misuse, abuse or commercial use nullifies all warranties.

# ASSEMBLY INSTRUCTIONS





# PARTS LIST

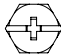
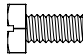
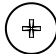
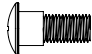







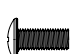






Item	QTY	Part Name
1	1	HINGED LID
2	1	LID HANDLE
3	2	LOWER LID HINGE
4	2	UPPER LID HINGE
5	1	GRIDDLE
6	1	REAR WIND SHIELDS
7	2	SIDE WIND SHIELDS
8	4	BURNER SUPPORT BRACKET
9	4	BURNER
10	1	MAIN GRIDDLE BODY
11	2	SIDE SHELF BRACKET (FRONT LEFT, REAR RIGHT)
12	2	SIDE SHELF BRACKET (FRONT RIGHT, REAR LEFT)
13	1	RIGHT FOLDING SIDE SHELF
14	1	MAGNETIC TOOL HOLDER
15	1	PARTICLE SHIELD
16	1	CART BACK PANEL
17	2	TANK EXCLUSION WIRE
18	1	CONDIMENT BASKET LOGO BACKPLATE
19	1	CONDIMENT BASKET
20	1	CART RIGHT PANEL
21	2	LEFT CASTER BRACKETS
22	2	RIGHT CASTER BRACKETS
23	1	LOCKING CASTER WHEEL
24	1	SWIVEL CASTER WHEEL
25	2	FIXED CASTER WHEEL
26	1	BOTTOM SHELF
27	1	BOTTOM SHELF DOOR MAGNET
28	2	DOOR SUPPORT PIN
29	1	TANK HOLDER
30	2	FRONT DOOR
31	2	DOOR HANDLE
32	2	UPPER DOOR SOCKET
33	1	UPPER FRONT BRACE
34	1	DOOR MAGNET
35	1	CART LEFT PANEL
36	1	HOSE / VALVE / REGULATOR ASSEMBLY
37	4	KNOBS WITH RED INDICATOR
38	4	KNOB BEZELS
39	1	CONTROL PANEL
40	1	CHAR-GRILLER® LOGO PLATE
41	1	IGNITER
42	1	HEAT SHIELD
43	1	PAPER TOWEL HOLDER
44	1	LEFT SIDE SHELF
45	1	GREASE CUP
46	1	MATCH HOLDER
47	1	GREASE FUNNEL
48	4	SPARK TIPS WITH WIRE

# HARDWARE NEEDED

**Assembly:** Requires 2 people. Tools Needed: Hammer, Phillips Head Screwdriver, Pliers, and a 7/16" Nut Driver.

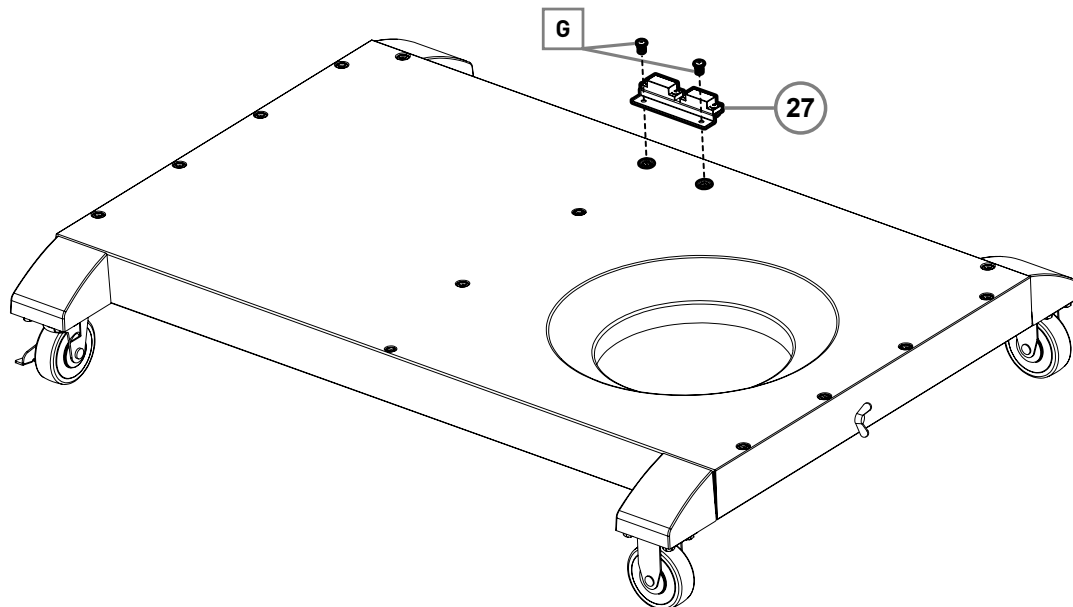
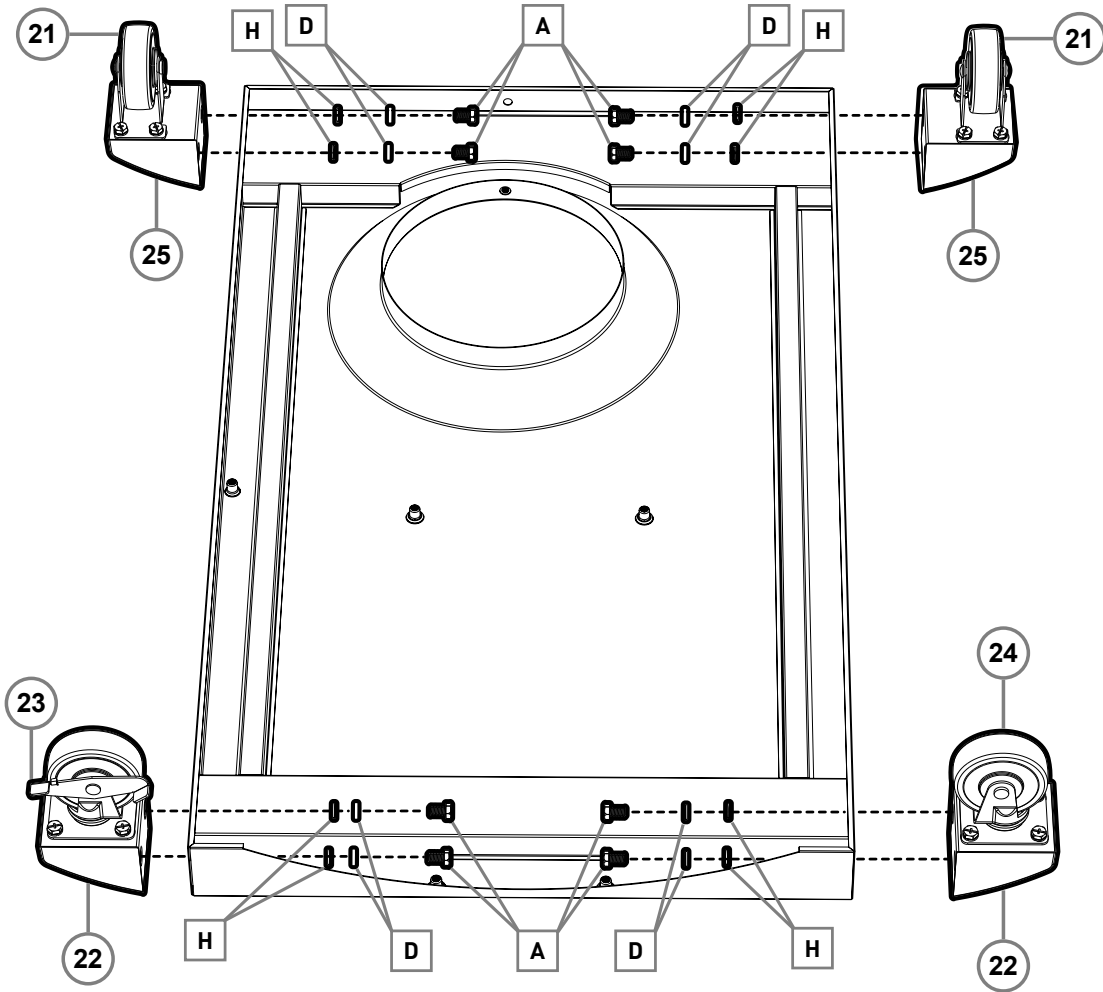
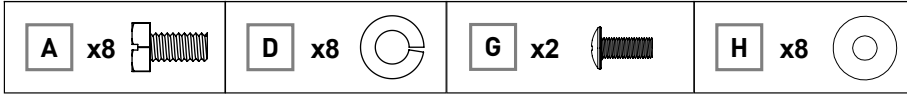
**\*\*NOTE: DO NOT fully tighten any bolts until instructed to do so. Tightening too soon may prohibit parts from fitting together. All hex nuts should be on the inside of the griddle unless stated otherwise. Unpack all contents in a well cleared and padded area.\*\***

**Estimated Time:** 30 minutes  
**Hardware Pack #551157**

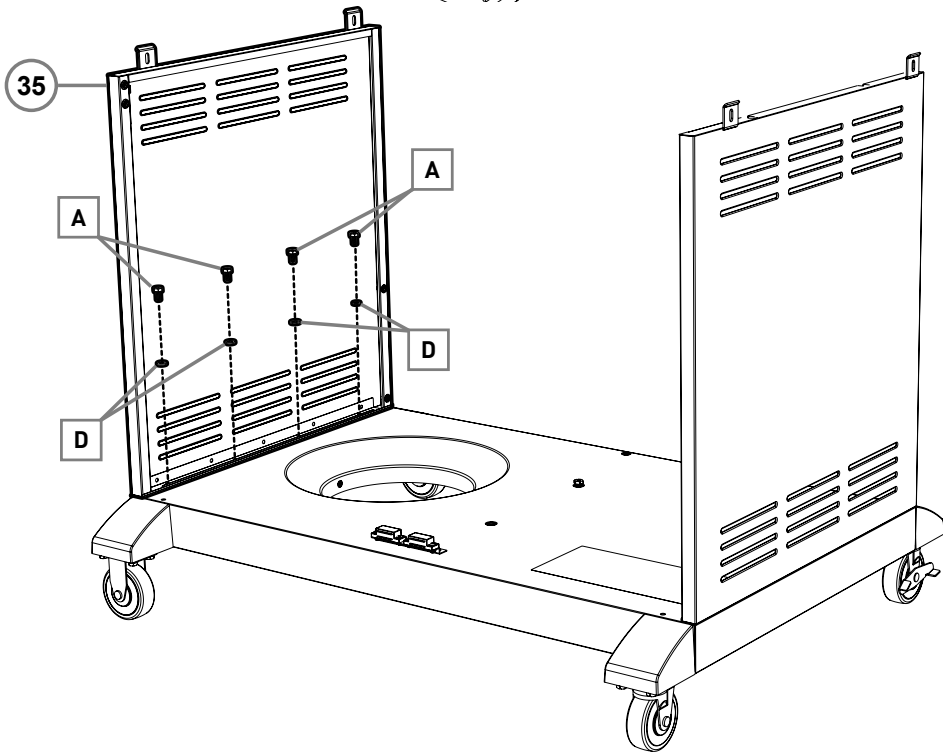
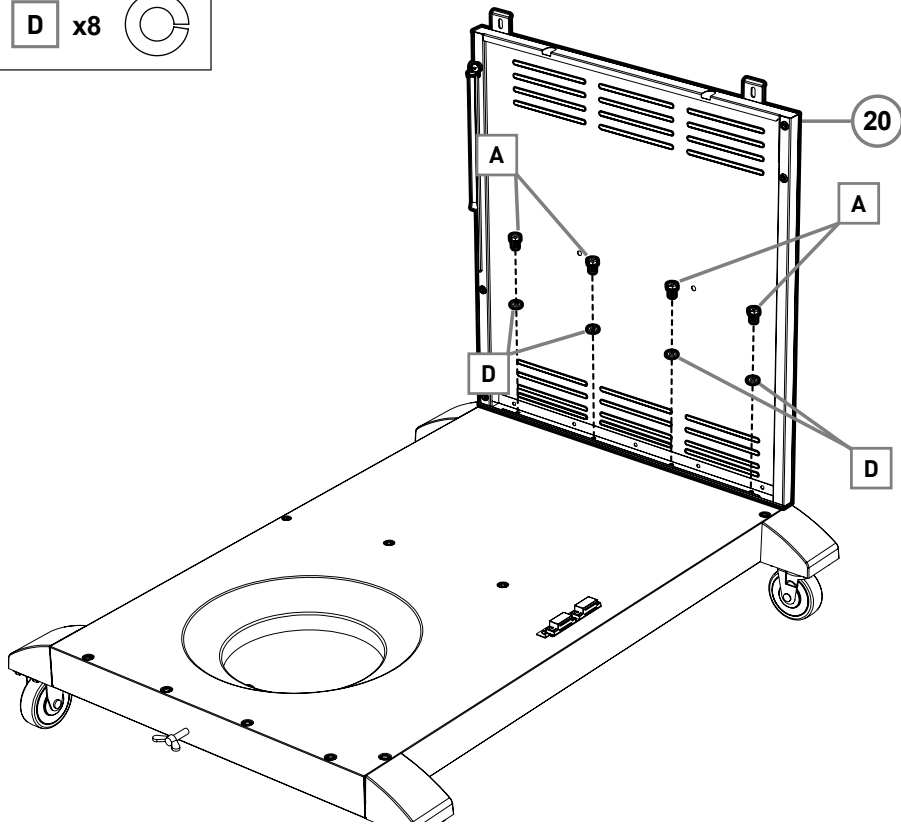
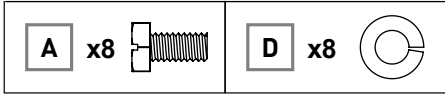
<b>Part No.</b>	<b>Description</b>	<b>Photo</b>	<b>QTY</b>
<b>A</b>	1/4 - 20 X 1/2" HEX BOLT	 	28
<b>B</b>	1/4 - 20 SHOULDER BOLT	 	8
<b>C</b>	1/4 - 20 HEX FLANGE NUT	 	12
<b>D</b>	1/4 - 20 LOCK WASHER	 	16
<b>E</b>	1/4 - 20 X 3/4" COUNTERSUNK SCREW	 	6
<b>G</b>	SCREW #10 - 24	 	20
<b>H</b>	1/4" FLAT WASHER	 	8
<b>I</b>	DOOR STUDS	 	2
<b>J</b>	UTENSIL HOOKS	 	3



**STEP 1**




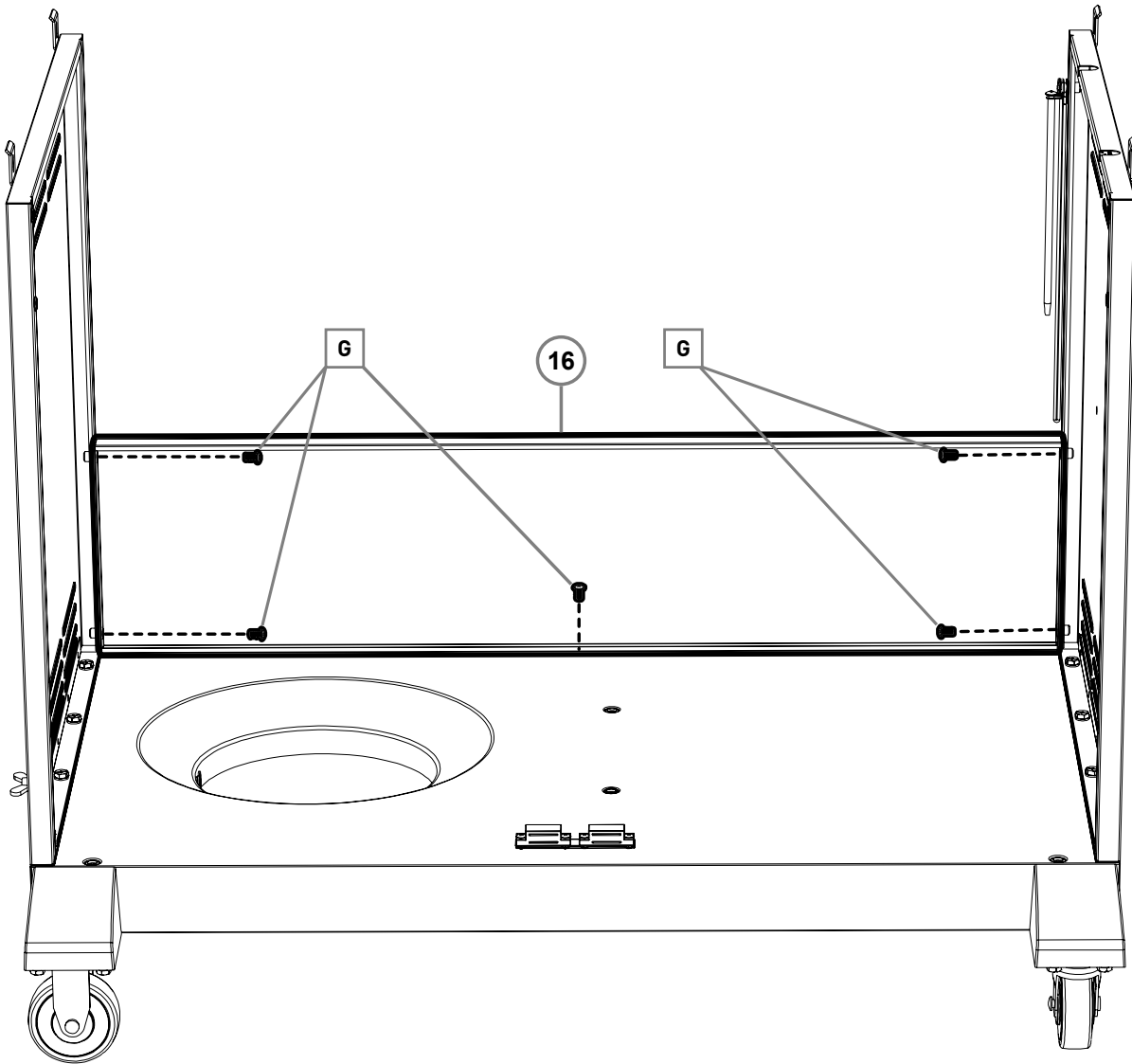
**STEP 2**



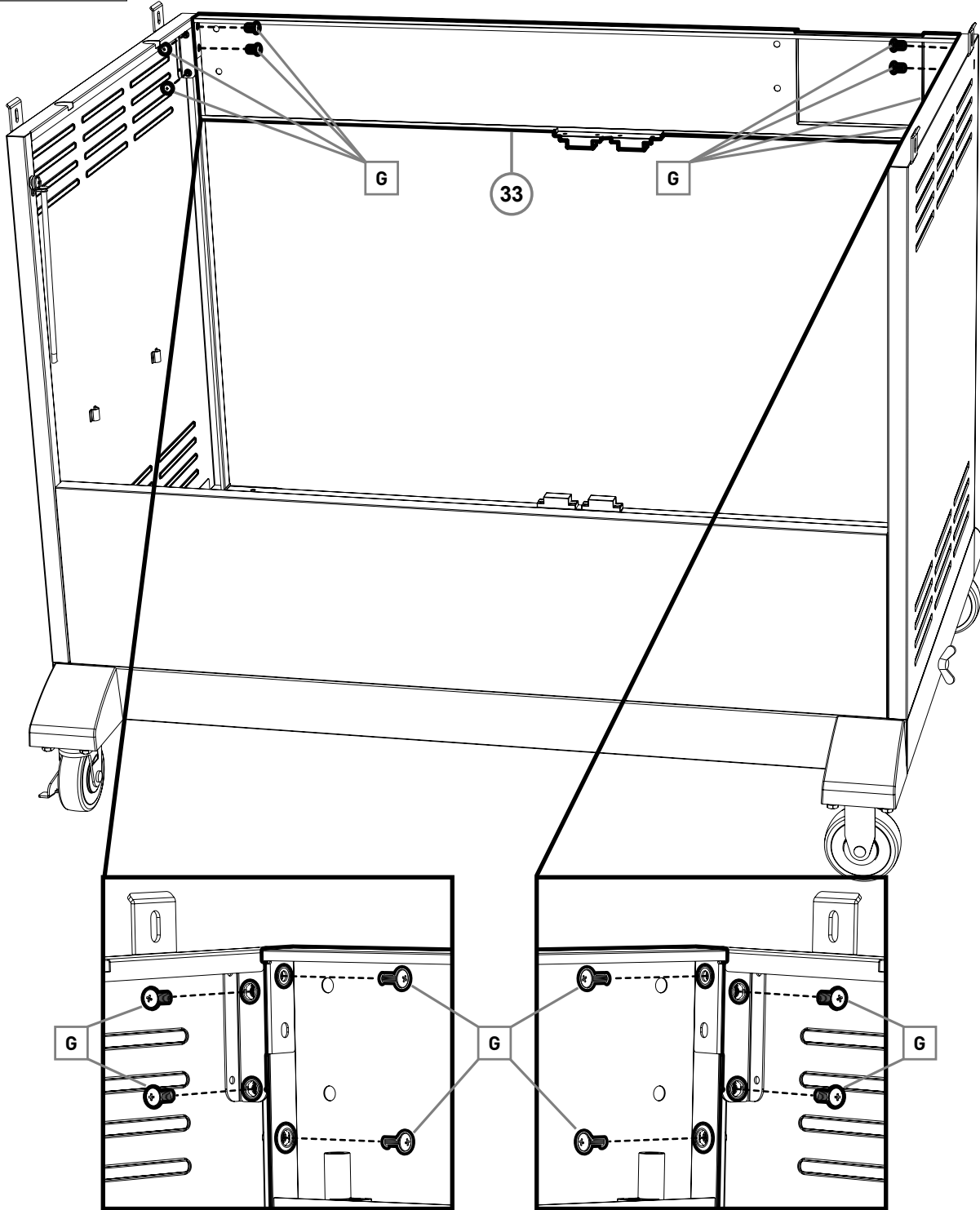
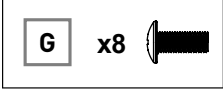


**STEP 3**

G x5 

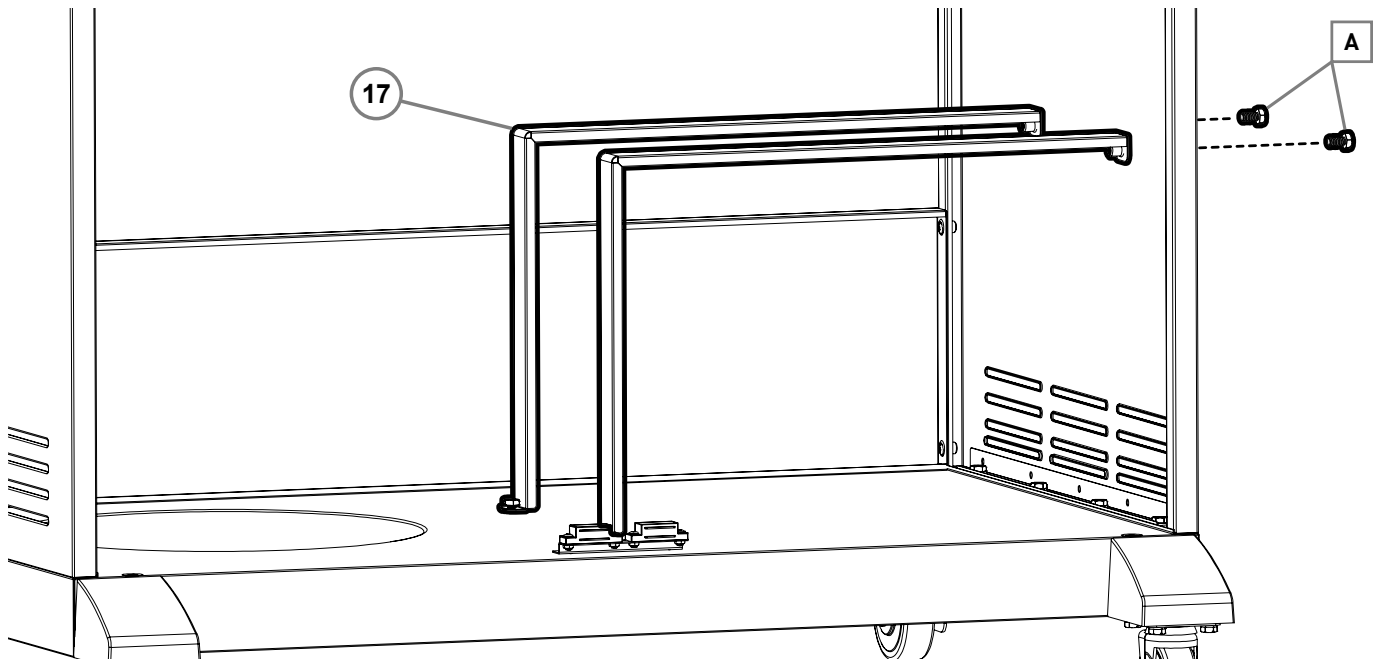
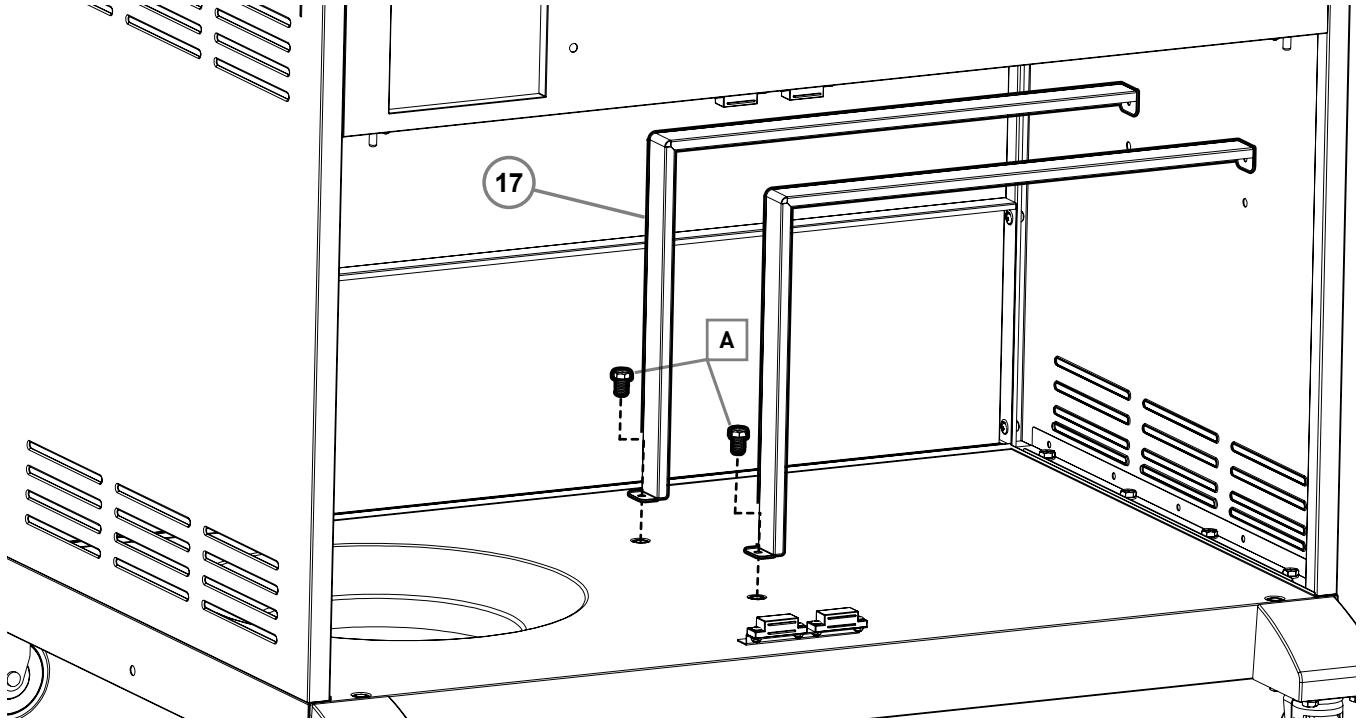
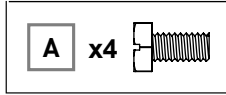


**STEP 4**

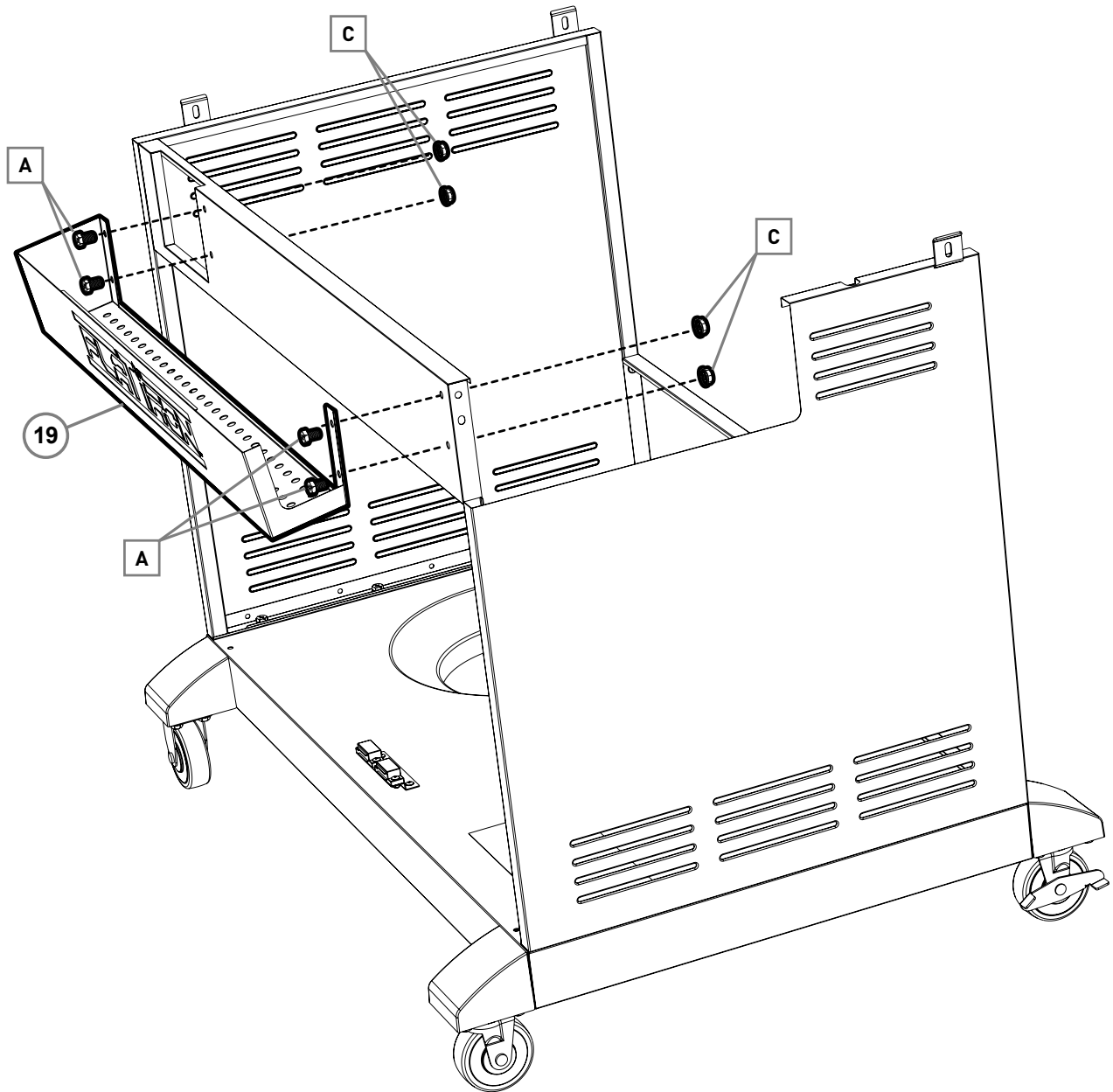
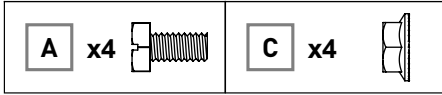




**STEP 5**

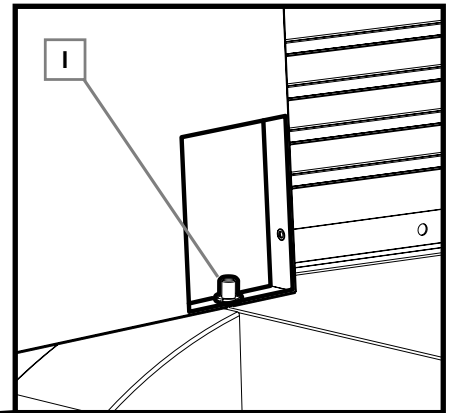
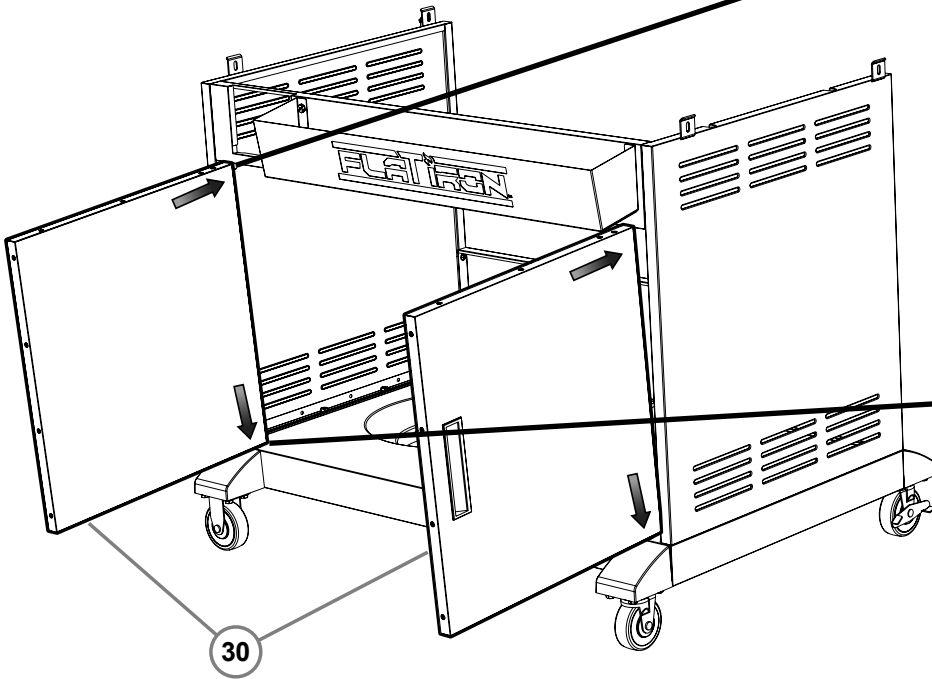
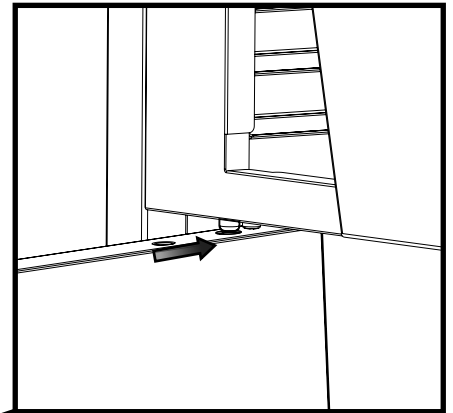
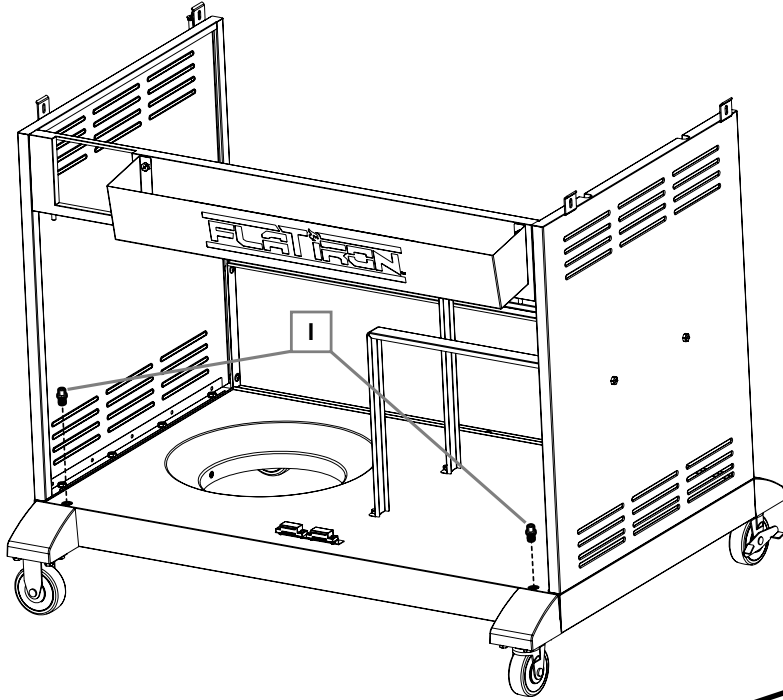
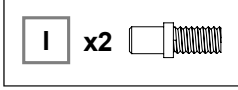


**STEP 6**

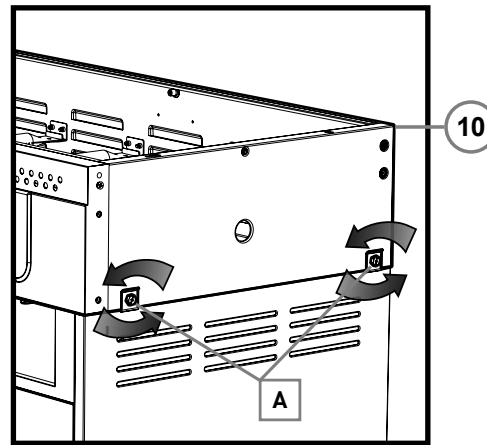
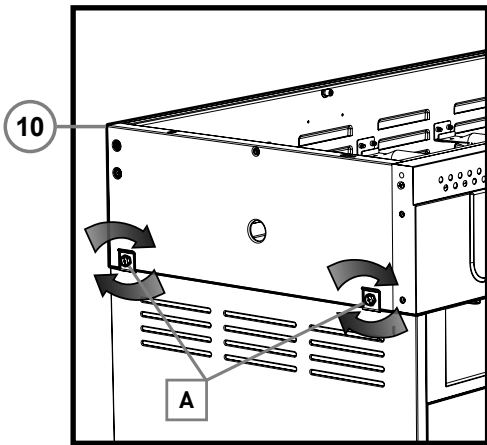
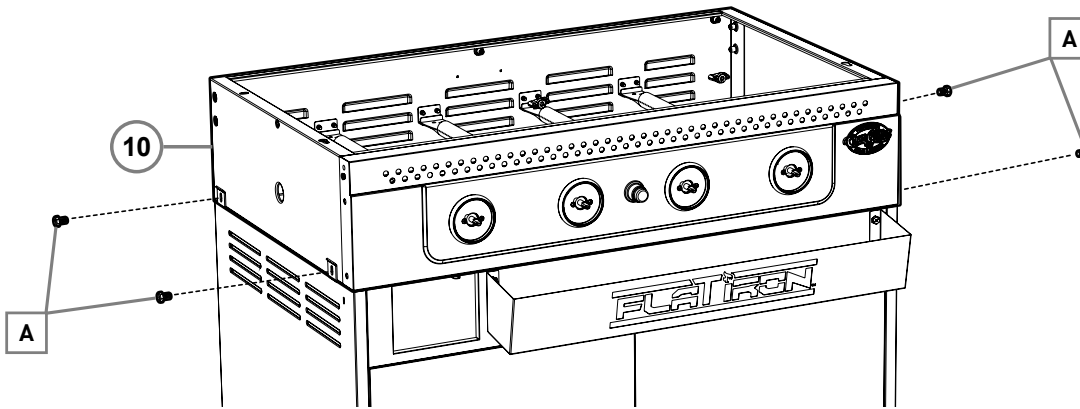
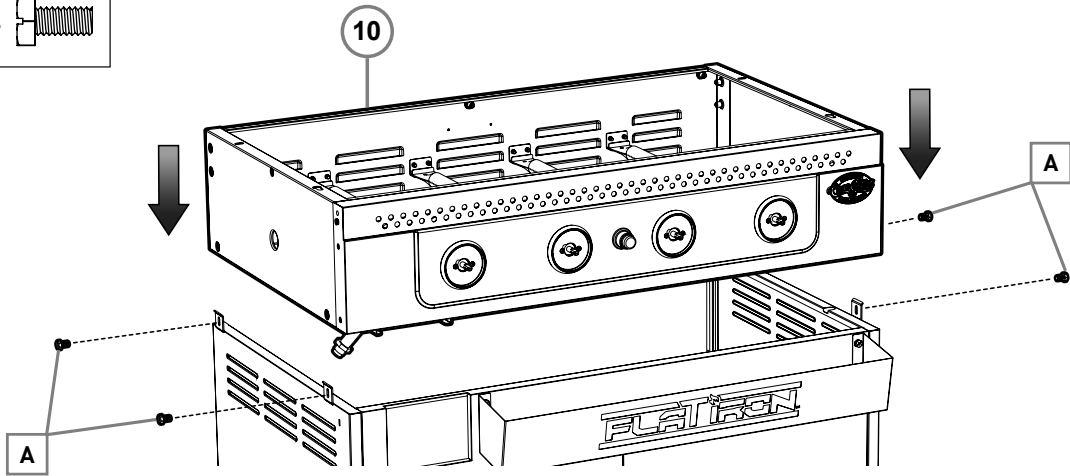
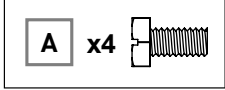




**STEP 7**

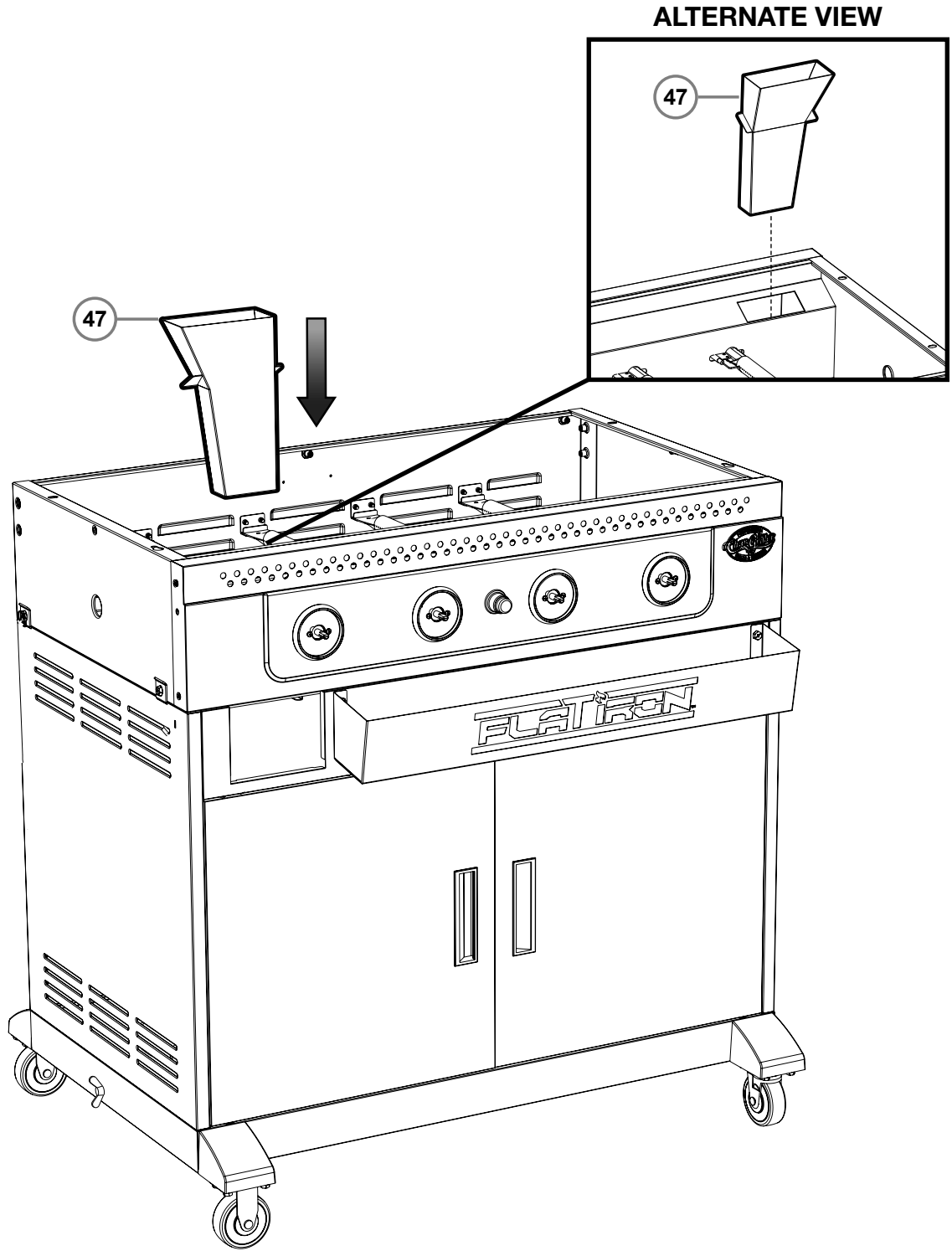


**STEP 8**



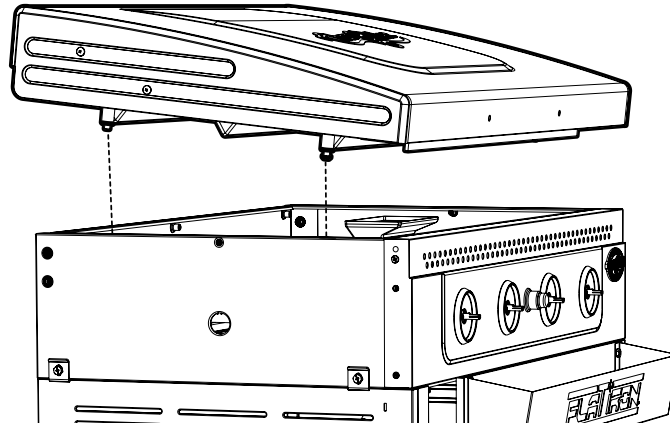


**STEP 9**



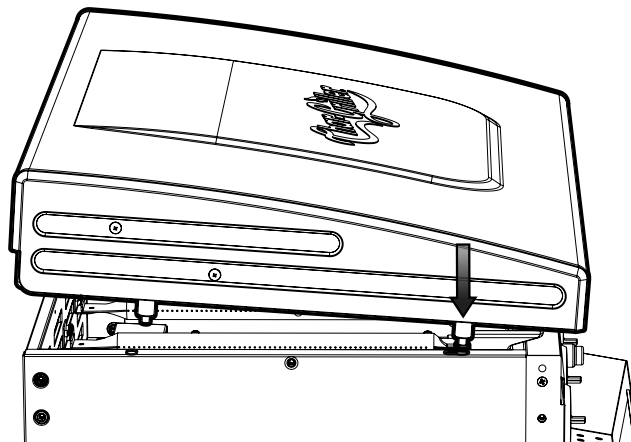
**STEP 10A**

---



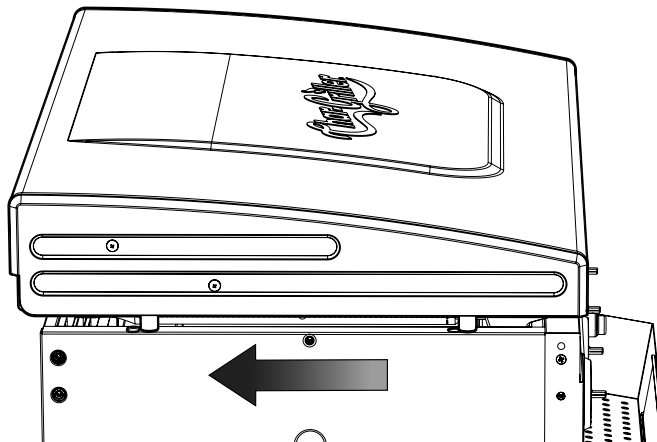
**STEP 10B**

---



**STEP 10C**

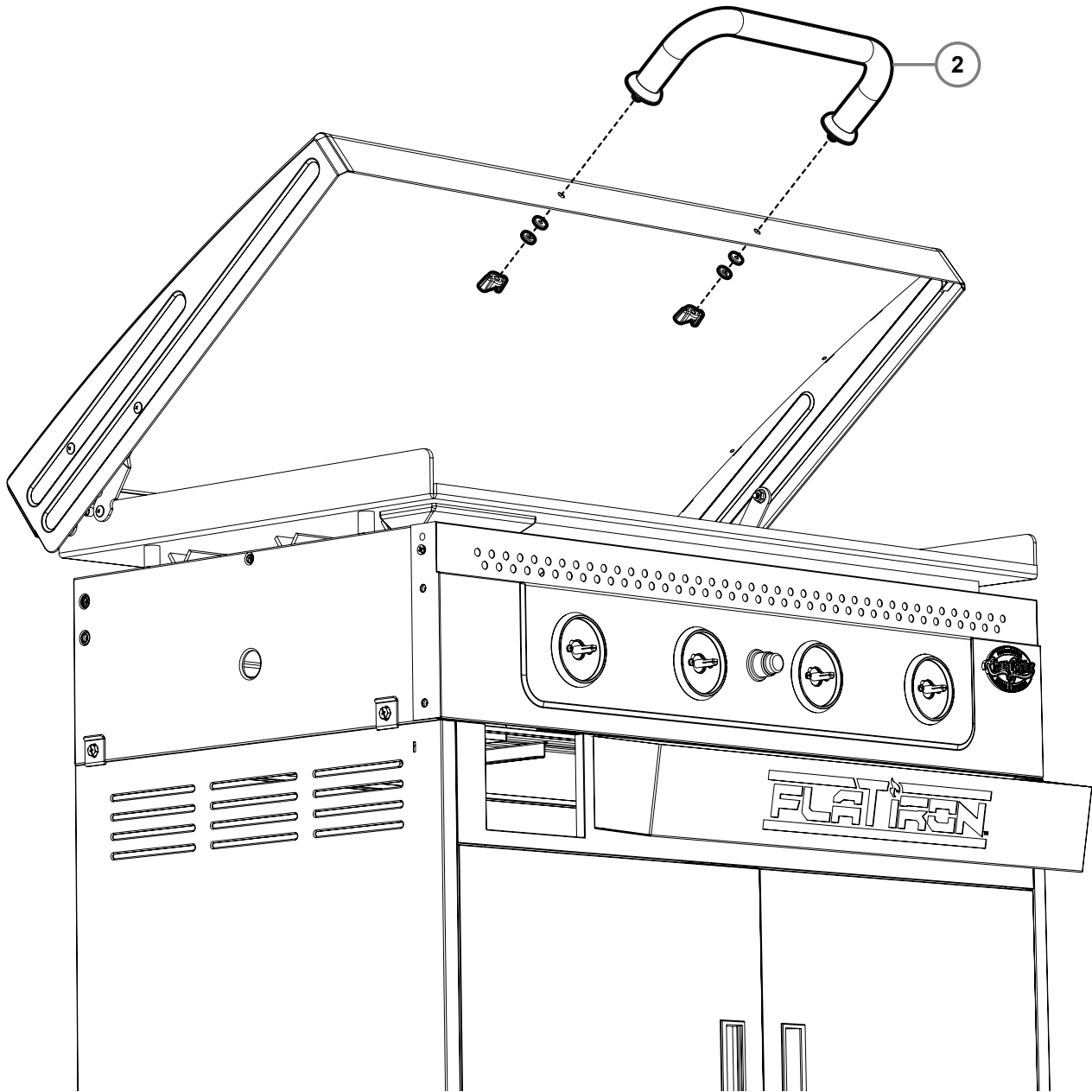
---



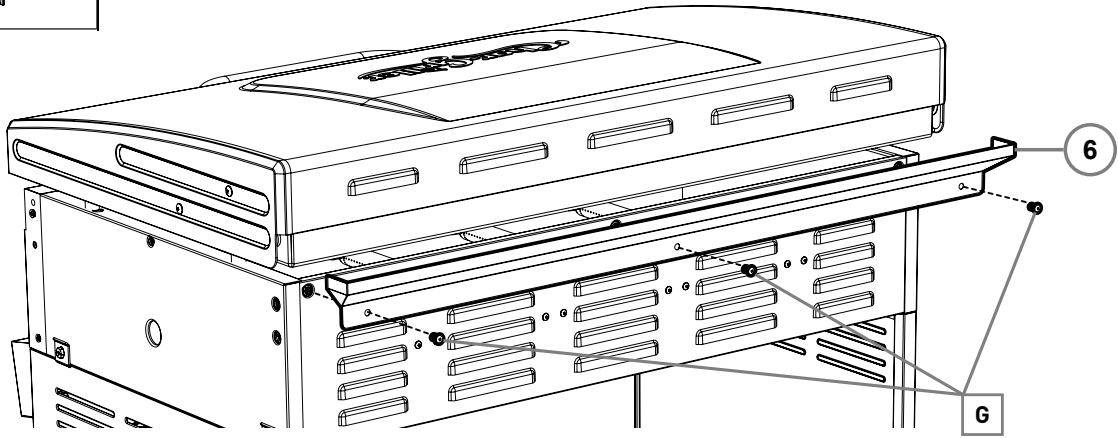
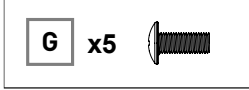


**STEP 11**

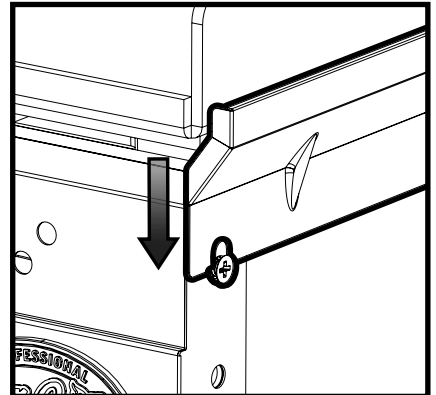
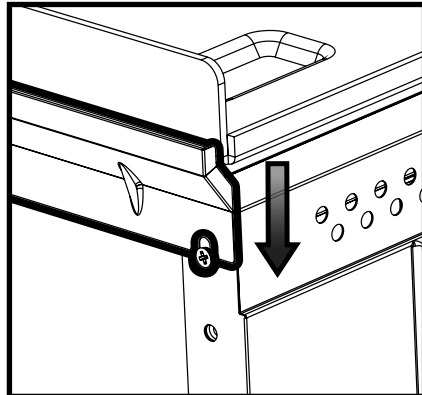
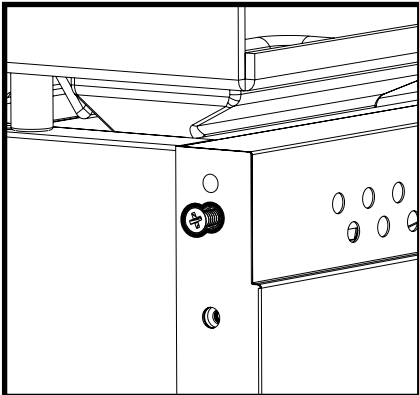
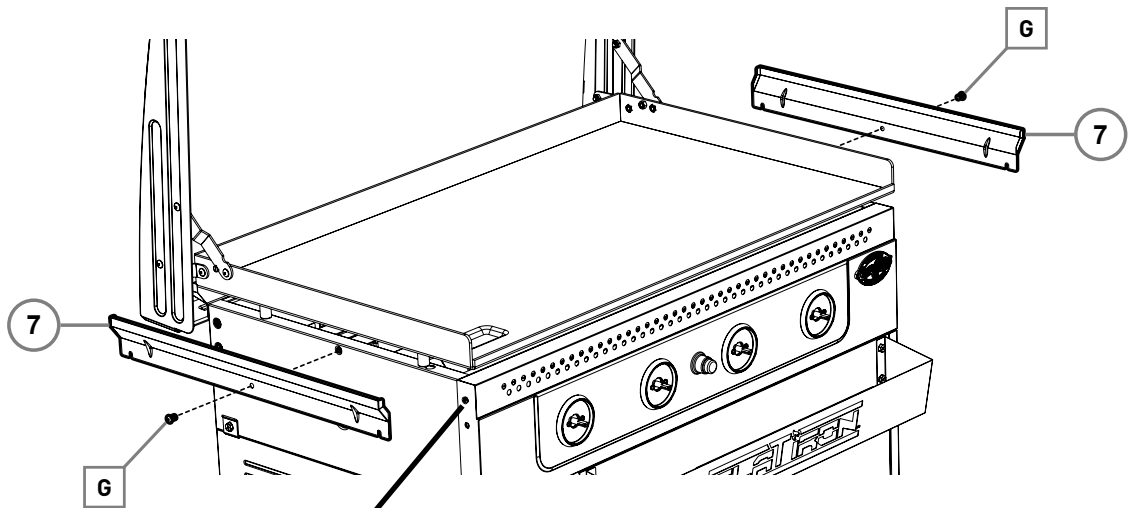
---



**STEP 12A**




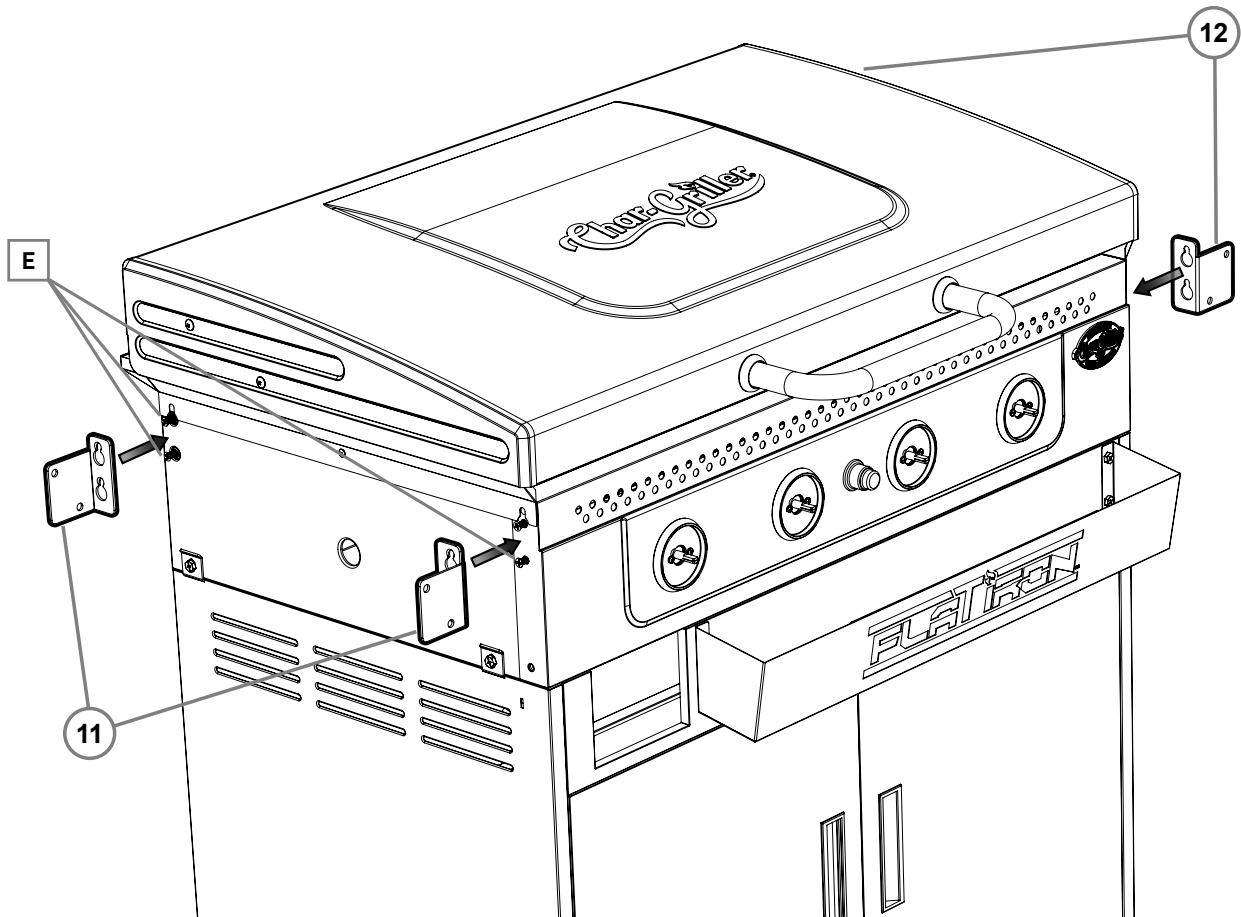
**STEP 12B**





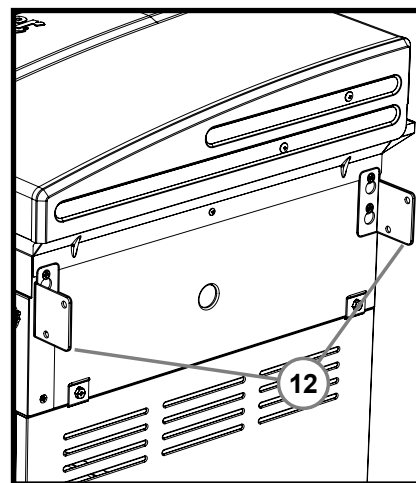
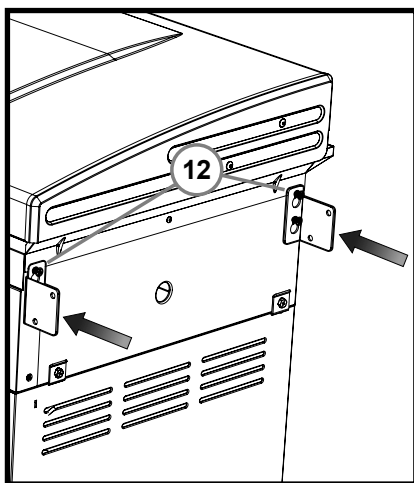
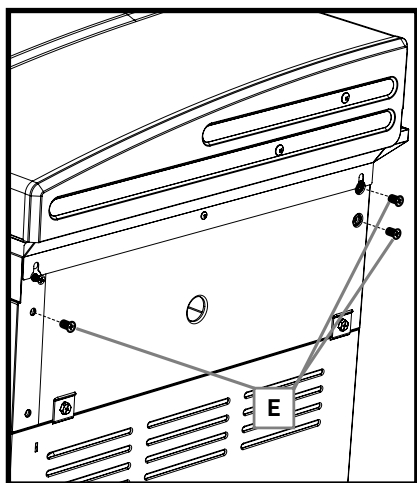
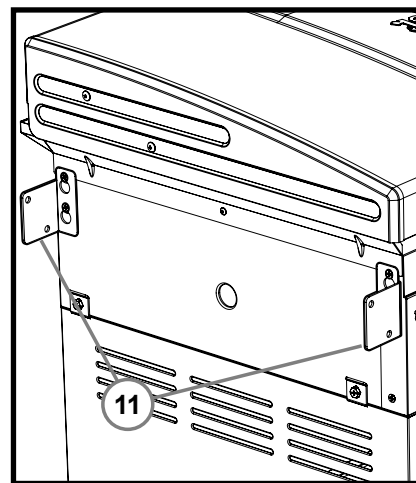
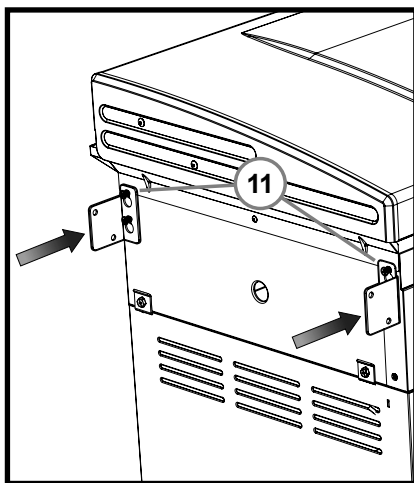
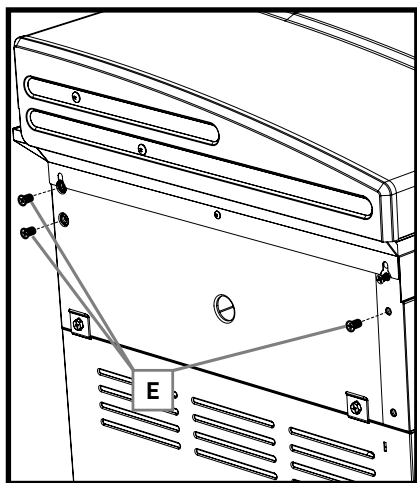
**STEP 13**

**E** x6 

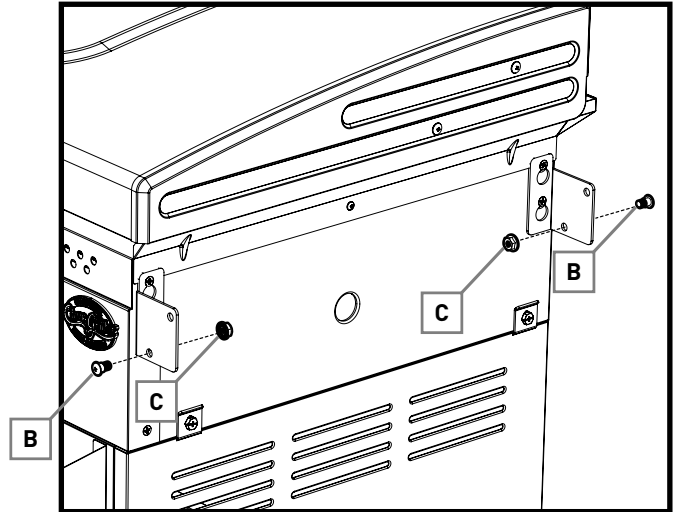
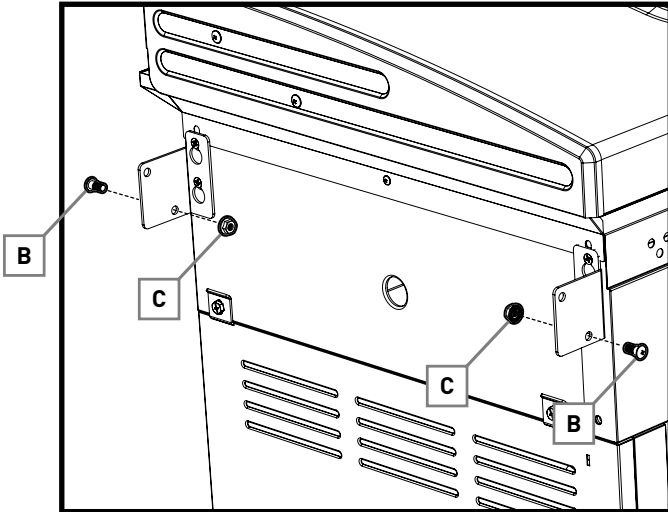
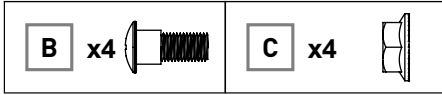


### STEP 13 (Continued)

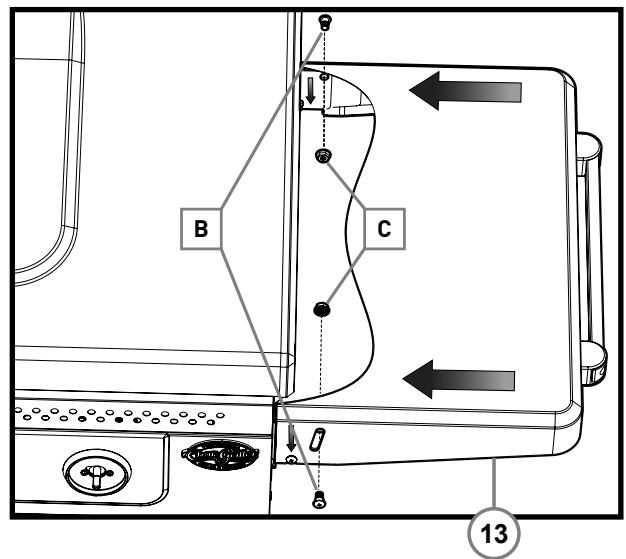
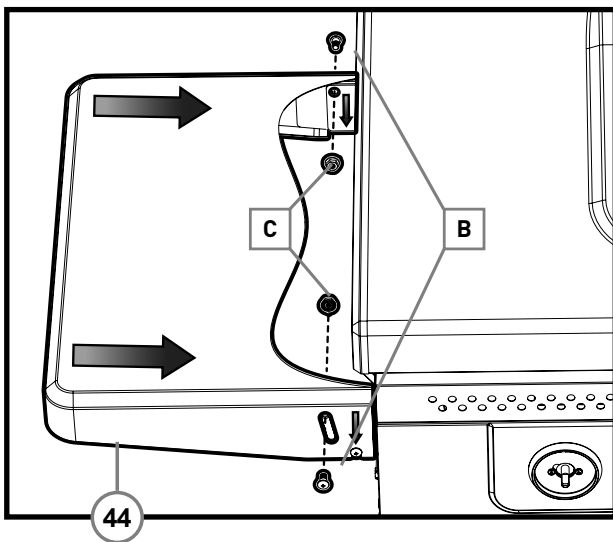
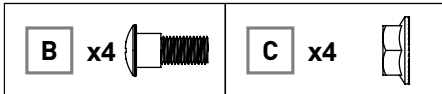
---



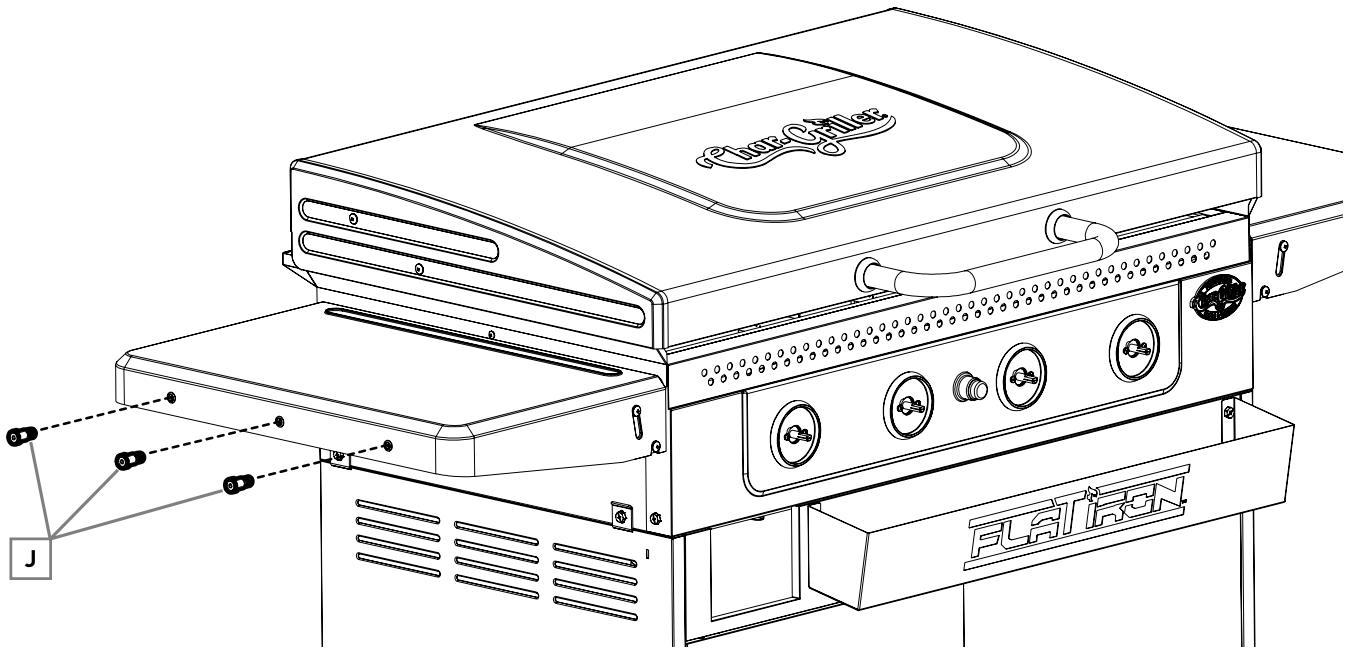
**STEP 14A**



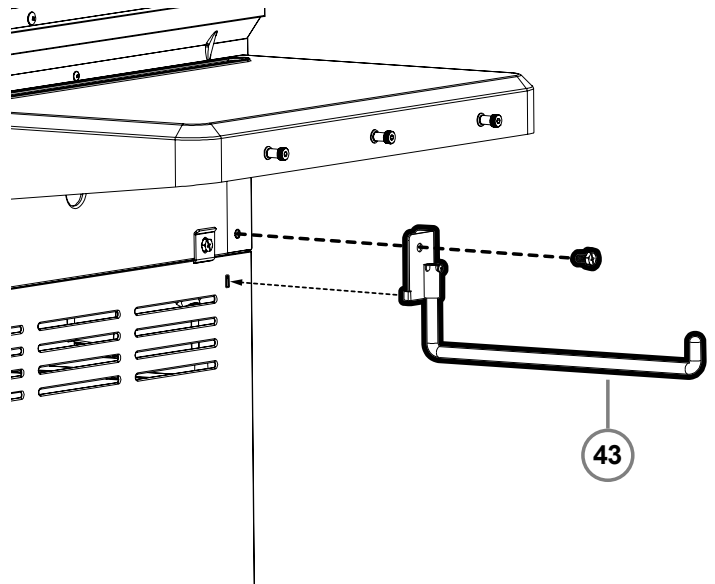
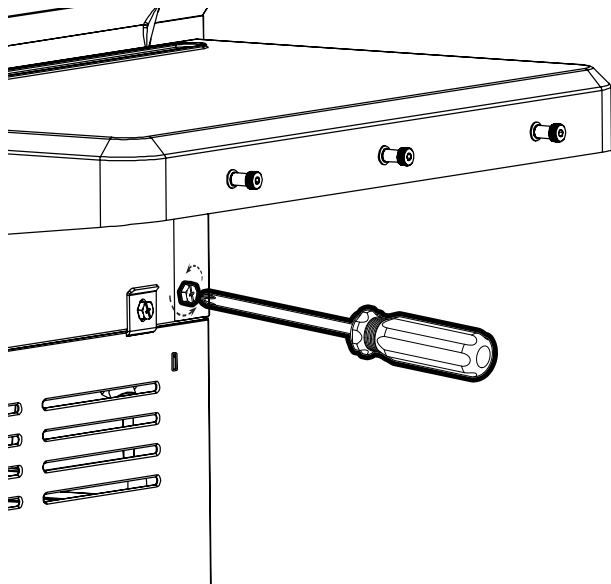
**STEP 14B**



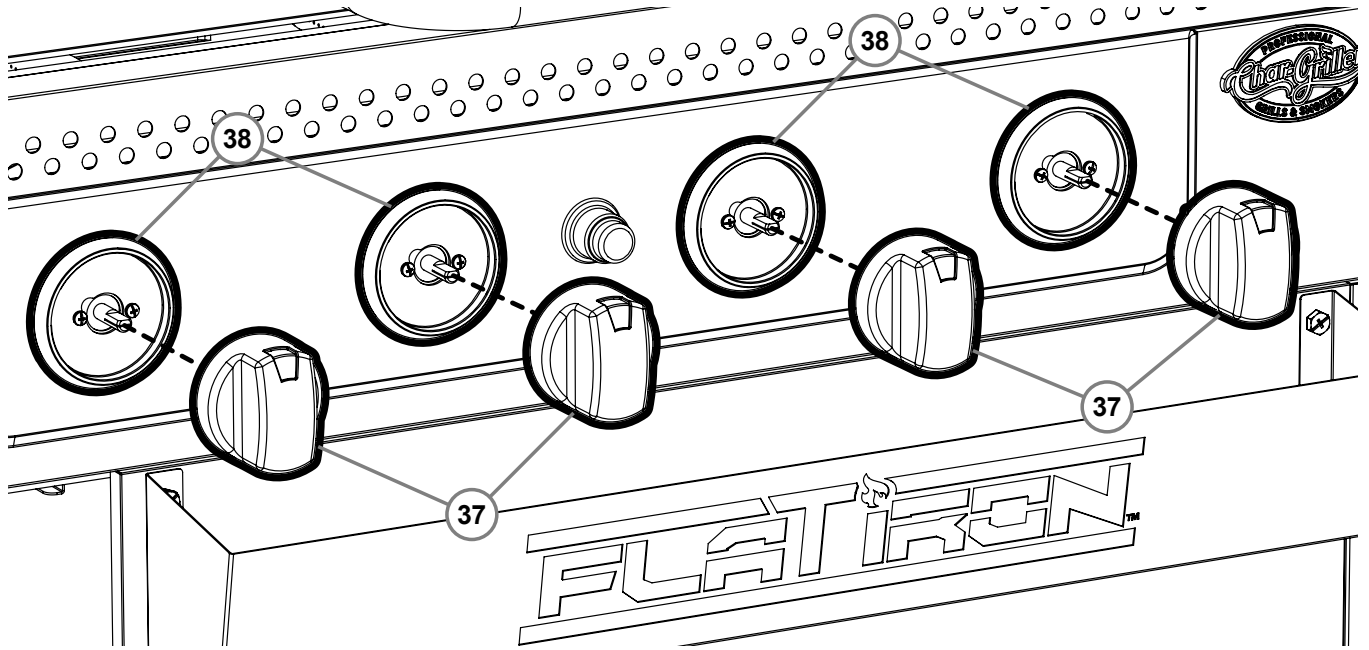
**STEP 14C**



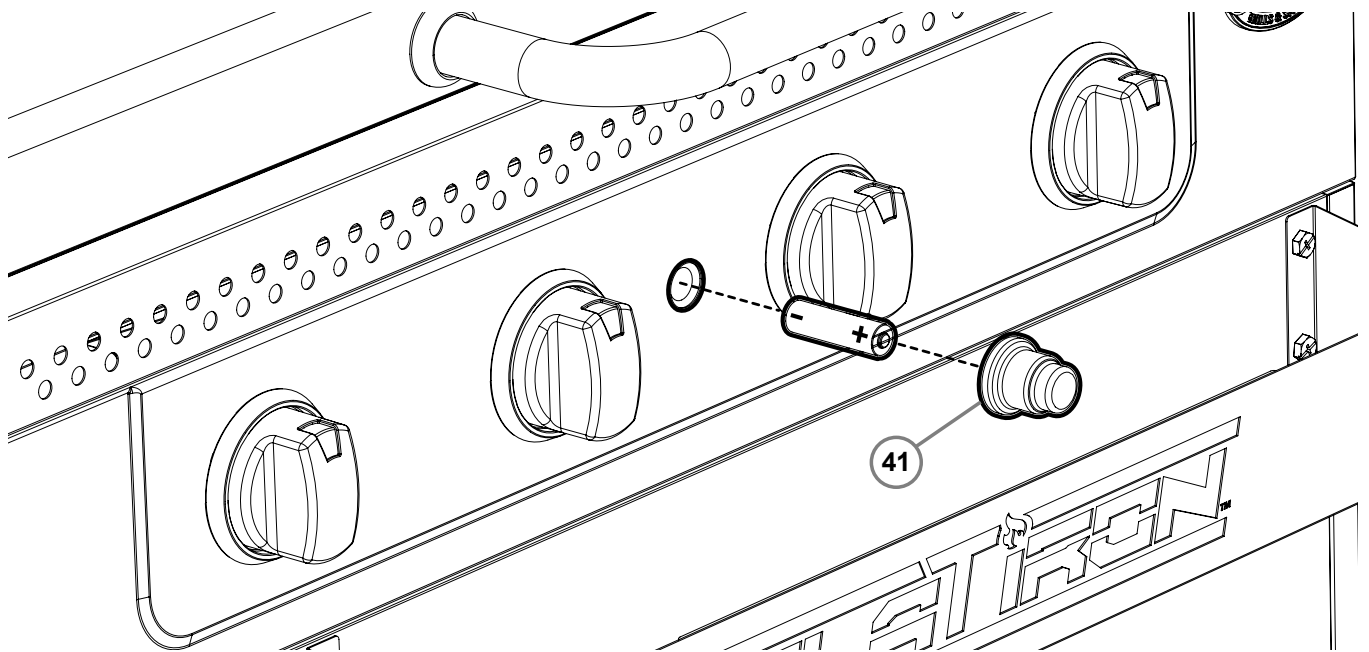
**STEP 15**



**STEP 16A**

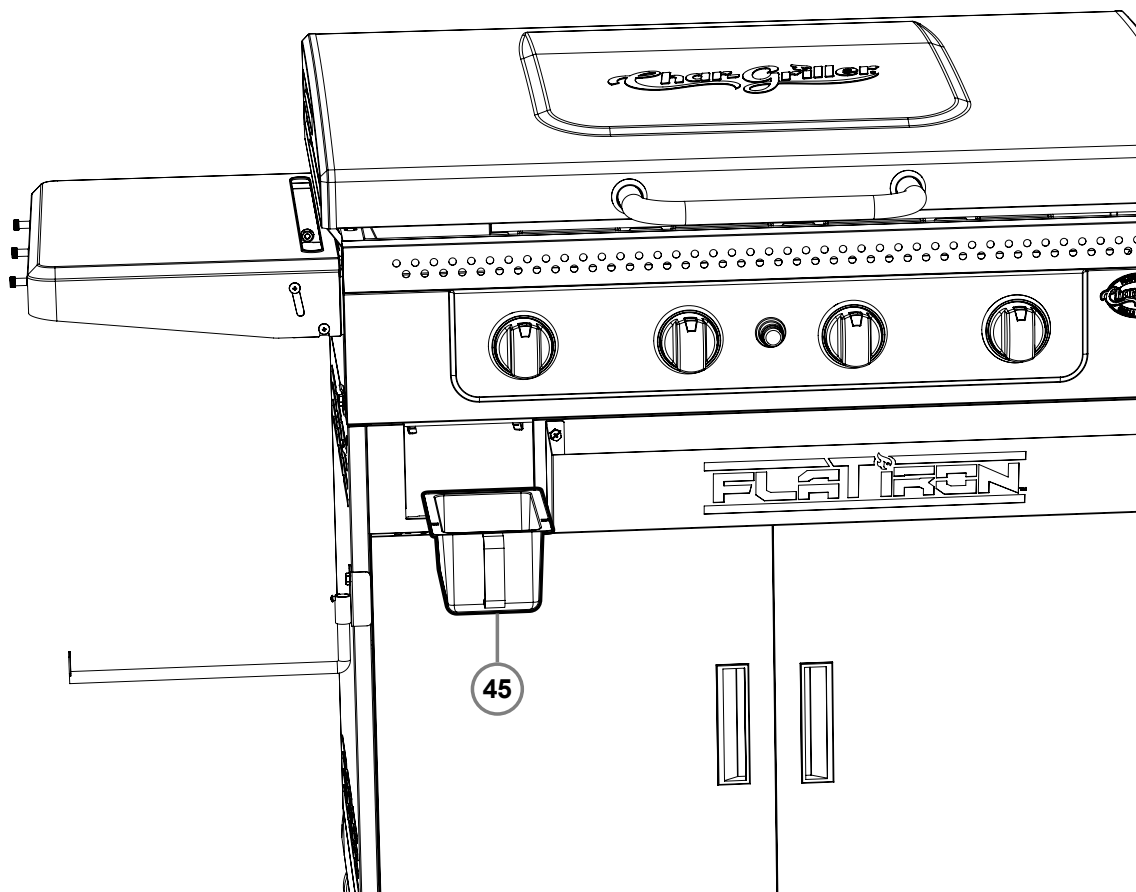
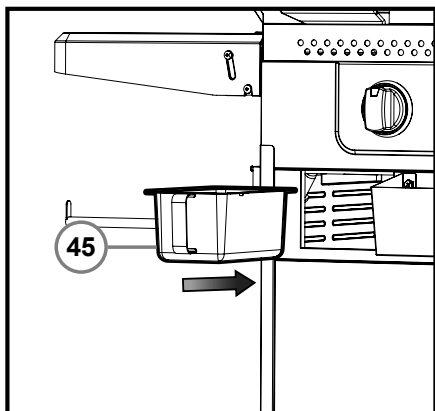


**STEP 16B**



**STEP 17**

---





# FULLY ASSEMBLED



**LEARN HOW TO SEASON  
YOUR NEW GRIDDLE!**

# **OPERATING INSTRUCTIONS**

## **Setting Up**

This appliance is designed for use outdoors, away from any flammable materials. It is important that there are no overhead obstructions and that there is a minimum distance of 12 feet (~4 m) from the side or rear of the appliance. Maintain 10 ft. (3.05 m) clearance to objects that can catch fire or sources of ignition such as pilot lights on water heaters, live electrical appliances, etc. It is important that the ventilation openings of the appliance are not obstructed.

The griddle must be used on a level, stable surface. The appliance should be protected from direct drafts and positioned or protected against direct penetration by any trickling water (e.g. rain). Do not move griddle while hot, and do not leave unattended during operation.

Protect LP cylinder from direct sunlight and keep away from heat sources max. 122°F (50° C). Do not move griddle while hot, and do not leave unattended during operation. Position gas cylinder such that hose is not bent, twisted, subject to tension, or touching any hot parts of appliance.

**NEVER EXCEED 650°F BECAUSE THIS WILL DAMAGE THE FINISH AND  
CONTRIBUTE TO RUST. PAINT IS NOT WARRANTED AND WILL REQUIRE TOUCH-UP.  
THIS UNIT IS NOT WARRANTED AGAINST RUST.**

### **CAUTION:**

- 1. All cleaning and maintenance should be done when the griddle is cool and the fuel supply is DISCONNECTED.**
- 2. Do NOT clean any griddle part in a self-cleaning oven as the extreme heat will damage the finish.**
- 3. Do NOT enlarge valve orifices or burner ports when cleaning the valve or the burners.**

### **NOTICES:**

- 1. This griddle should be thoroughly cleaned, inspected and seasoned on a regular basis.**
- 2. Abrasive cleaners will damage this product.**
- 3. NEVER use oven cleaner on any part of this griddle.**

### **BEFORE EACH USE:**

1. Ensure griddle area is clean and free of any combustible materials like gasoline, lighter fluid or any other flammable vapors or liquids.
2. Do NOT obstruct the flow of the combustion of LP gas and the ventilation of air.
3. Keep the ventilation opening(s) of the LP gas tank area free and clear of debris.
4. Visually check the burner flames to make sure griddle is working properly.
5. See sections below for proper cleaning and maintenance instructions.
6. Check for obstructions of airflow to the burners. Spiders, insects, and webs can clog the burner tubes. A clogged burner can lead to a fire.



# GAS OPERATION

## Regulator and Hose

Regulator and Hose are supplied with the appliance. If a replacement is necessary, please visit [chargriller.com](http://chargriller.com) or call our customer service department, 1-912-638-4724. Do NOT use replacement parts that are not intended for this grill. The life expectancy of the regulator is estimated as 10 years. It is recommended that the regulator is changed within 10 years of the date of manufacture.

The use of the wrong regulator or hose is unsafe; always check that you have the correct items before operating the appliance.

The hose used must conform to the relevant standard for the country of use. Worn or damaged hose must be replaced. Ensure that the hose is not obstructed, kinked, or in contact with any part of the griddle other than at its connection.

## Connecting the Hose to the Appliance

Before connection, ensure that there is no debris caught in the head of the gas cylinder, regulator, burner, and burner ports. Spiders and insects can nest within and clog the burner/venturi tube at the orifice. A clogged burner can lead to a fire beneath the appliance.

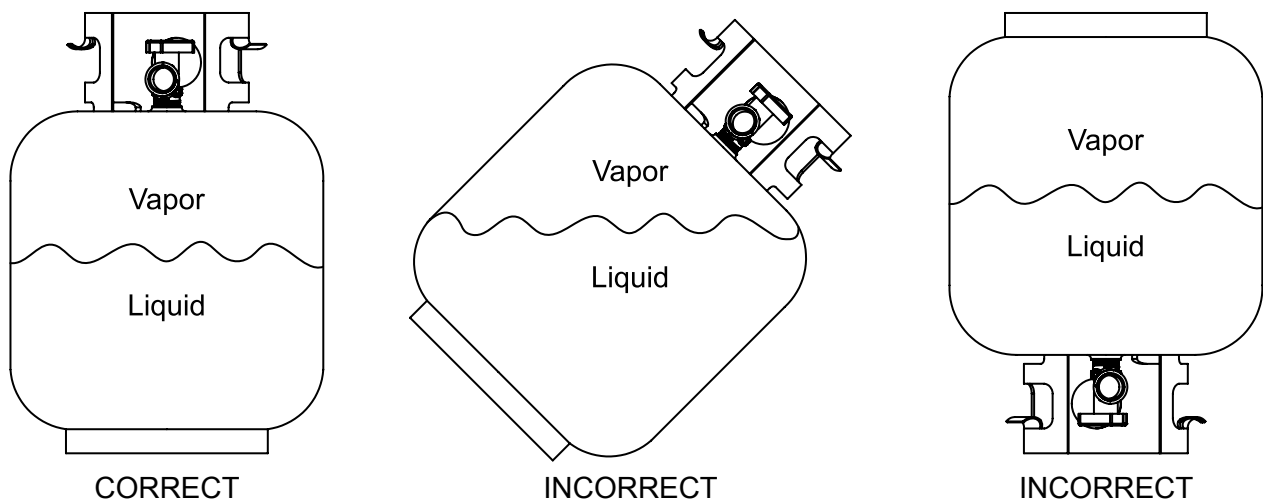
Clean burner holes with a heavy-duty pipe cleaner.

If the hose is replaced it must be secured to the appliance and regulator connections with hose clips. Disconnect the regulator from the cylinder (according to the directions supplied with the regulator) when the appliance is not in use.

The appliance must be used in a well-ventilated area. Do not obstruct the flow of combustion air to the burner when in use. **ONLY USE THIS APPLIANCE OUTDOORS.**

## Proper Orientation of the Gas Cylinder

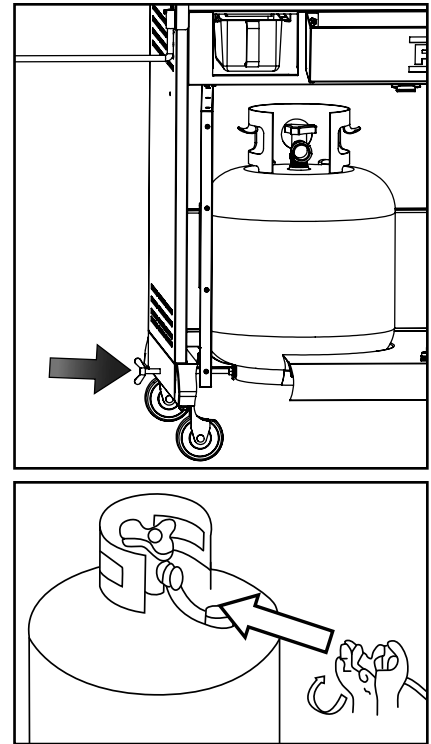
Please use the proper LP cylinder orientation to provide vapor withdrawal. NOTE: The LP cylinder must be fully upright with the valve on top to have proper vapor withdrawal. See figure for correct orientation.



# Installing the Gas Cylinder in the Grill

This appliance is only suitable for use with low-pressure propane gas fitted with the appropriate low-pressure regulator via a flexible hose. The hose should be secured to the regulator and the appliance with hose clips.

1. Ensure all control knobs are in the OFF position and verify that the gas cylinder valve is closed by turning the handle on the gas cylinder valve clockwise until it stops.
2. Remove the protective cap from the gas cylinder valve nozzle.
3. Place the LP tank upright inside the tank hole on the bottom shelf.
4. Ensure cylinder nozzle is facing out towards you.
5. Secure LP tank by tightening (turning clockwise direction) the wing bolt on the side of the cart.
6. Hold the regulator in a straight line with the gas cylinder valve nozzle so the connection does not cross thread.
7. Perform a Leak Test. (See Leak Testing section of this manual).



## Main Burners

Make sure there are no obstructions of airflow to gas unit. Spiders and insects can nest within and clog the burner tube. A clogged burner tube can lead to a fire beneath appliance.

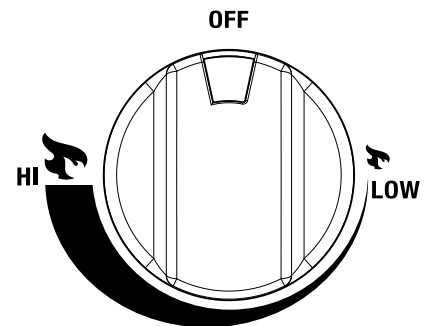
1. Make sure all burner knobs are in OFF position and the griddle hood is open.
2. Open valve on LP gas cylinder.
3. To ignite a burner, push in and rotate knob counterclockwise to "HI," then push and hold Electronic Ignition Button until burner lights. If burner does not light in 5 seconds, turn burner OFF, wait 5 minutes for gas to clear and repeat procedure.
4. Repeat for all desired burners. Light only burners intended for use.
5. Adjust knobs to desired cooking setting.

**After lighting**, observe burner flame and make sure all burner ports are lit.

**PRE-HEATING NOTE: NEVER PRE-HEAT YOUR GRIDDLE ON HIGH HEAT AS IT CAN CAUSE DAMAGE TO THE GRIDDLE SURFACE AND NEVER LEAVE YOUR GRIDDLE UNATTENDED**

Proper pre-heating will ensure the best cooking performance for your griddle. Always pre-heat your griddle on the medium or medium-low setting for five minutes and then turn to high heat or desired temperature level.

**If burner flame goes out during operation**, immediately turn gas off on control panel and gas cylinder valve. Let gas clear for 5 minutes before relighting. **Clean griddle after each use.** DO NOT use abrasive or flammable cleaners, as they damage parts and may start a fire.





## **\*\* BEFORE USE CHECK FOR LEAKS \*\***

*Never check for leaks with a naked eye. Always use a soapy water solution.*

**NOTE:** Before starting the grill, check for leaks. Make sure the regulator valve is securely fastened to the burner and the cylinder to prevent fire or explosion hazard when testing for a leak.

Always perform the "Leak Test" as described below before lighting the griddle or each time the cylinder is connected for use.

- Do not smoke or allow other sources of ignition in the area while conducting a leak test.
- Conduct leak test outdoors in a well-ventilated area.
- Do not use matches, lighters or a flame to check for leaks.
- Do not use griddle until any and all leaks are corrected. If you are unable to stop a leak, disconnect the propane supply. Call a gas appliance serviceman or your local propane gas supplier.

### **Leak Test**

1. In a spray bottle mix 6-9ml. solution, 1 part dish washing soap, 3 parts water.
2. Ensure control valves/burner knobs are in the off position and that regulator is securely connected.
3. Open LP cylinder valve completely by turning wheel counterclockwise.
4. Apply the solution to the hose, gas valve, and regulator, and cylinder.
5. If bubbles form and grow on any of the tested components, there is a leak in the component. No bubbles means no leak.
6. If a leak has been identified please retest starting with steps 2-5. If leak persists, call Customer Service, 1-912-638-4724 or consult your Owner's Manual for how to replace or repair griddle components.

### **Lighting Instructions**

Your Char-Griller® Griddle is equipped with two individual heat zones each controlled by their own gas burner. This gives you optimal flexibility to cook multiple types of food on a single surface.

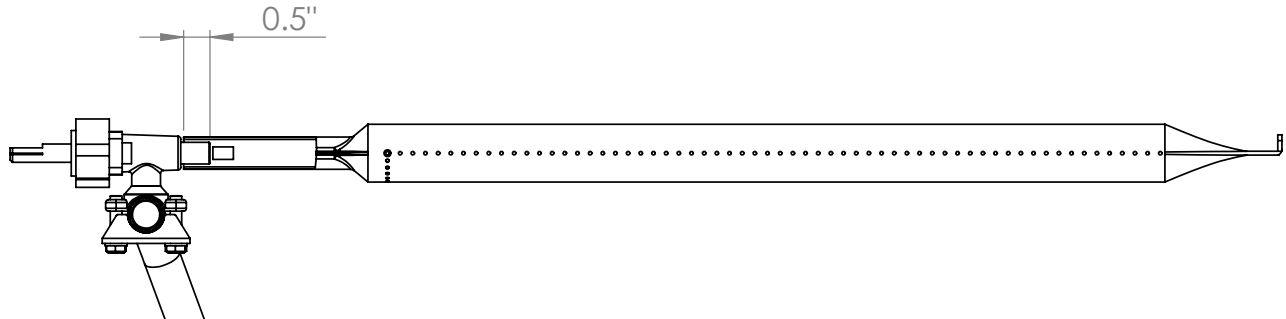
When lighting, keep your face and body as far away from burners as possible and never lean over griddle surface. If griddle does not light in 3-5 seconds, turn off the griddle and wait 5 minutes for gas to clear before attempting to relight. Failure to do so may result in an explosive flare-up, which can cause serious bodily injury or death. Once lit, but before cooking on griddle for first time, let griddle sit for 15 minutes. This heat cleans griddle's internal parts from anything they may have come into contact with during manufacturing and shipping.

**NOTE:** Before first use, it is important to properly season your griddle to ensure the optimal performance and long life of your Char-Griller® Griddle (see the seasoning/care instruction provided in this manual).

## Shutting Off Burners

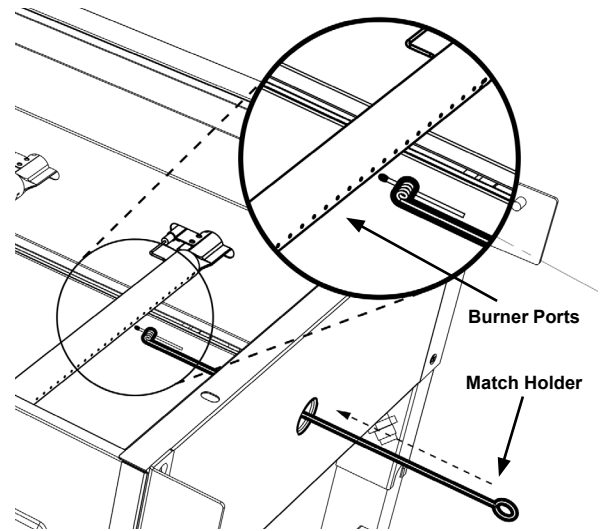
1. Turn knob(s) clockwise to HI position, then push in and turn to OFF. Never force knob without pushing in, as this can damage valve and knob.
2. Promptly close gas cylinder valve.

When performing cleaning and maintenance of the burners, always ensure burner ports are properly aligned with valve openings after reinstalling on the griddle. See figure for correct alignment.



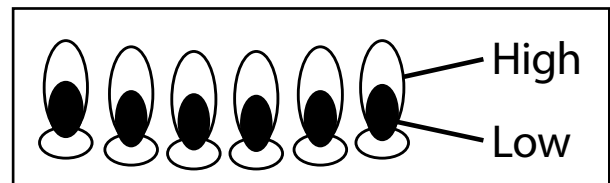
## Lighting Burner with a Match

1. Make sure all burner knobs are in OFF position.
2. Open valve on LP gas cylinder.
3. Push in and rotate knob counterclockwise to "HI" position.
4. Place match in match holder installed on the side of the griddle housing. Once match is lit, place flame through hole on left side of the body near burner ports. Burner should light immediately.
5. Adjust knobs to desired cooking settings.



## Observe Flame Height When Lit

Flame should be blue and yellow in color and approximately 1/2 in. - 3/4 in. (1.2 cm - 1.9 cm) tall on HI setting.



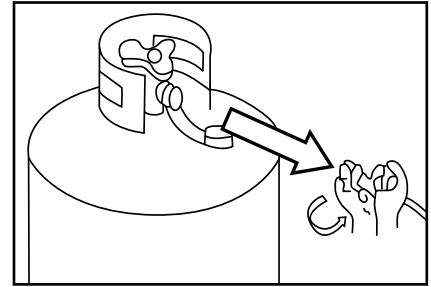


## Temperature Management

Manage heat by adjusting burner knobs from high to low to maintain desired heat for cooking conditions. Weather conditions will impact your griddle's heat fluctuations. More heat will be required for cold and windy conditions. Different types and amounts of food will also impact your temperature management and distribution. Make sure to consider these elements when cooking for optimal the griddle experience.

## Disconnecting the Gas Cylinder

1. Turn all control knobs to the OFF position and turn the handle on the gas cylinder clockwise until it stops.
2. Turn coupling nut on regulator in a counter-clockwise direction until regulator is released from threaded gas cylinder valve nozzle.
3. Place the protective cap over gas cylinder gas nozzle.



## Gas Cylinder

The gas cylinder should not be dropped or handled roughly! If the appliance is not in use, the cylinder must be disconnected. Replace the protective cap on the cylinder after disconnecting the cylinder from the appliance.

Cylinders must be stored outdoors in an upright position and out of the reach of children. The cylinder must never be stored where temperatures can reach over 122°F (50° C). Do not store the cylinder near flames, pilot lights or other sources of ignition. **DO NOT SMOKE NEAR A GAS CYLINDER.**

Again, this appliance is designed for use outdoors only and away from any flammable materials. It is important that there are no overhead obstructions and that there is a minimum distance of 12 feet (~4 m) from the side or rear of the appliance. It is important that the ventilation openings of the appliance are not obstructed. The griddle must be used on a level, stable surface. The appliance should be protected from direct drafts and positioned or protected against direct penetration by any trickling water (e.g. rain).

**Parts sealed by the manufacturer or its agent must not be altered by the user. No modifications should be made to any part of this appliance and repairs and maintenance should only be carried out by a registered service engineer or technician.**

# GRIDDLE CARE & SEASONING

Follow these simple cleaning and seasoning steps for optimal performance and long life of your Char-Griller® Griddle. The griddle surface should be cleaned and seasoned regularly, preferably before and after each use. This regular maintenance will improve your cooking experience as well as help extend the longevity of your griddle. We strongly recommend that the unit be covered when left outside for any length of time, especially during the winter months.

Char-Griller® products are packaged with a thin coating of vegetable oil to protect against rust and damage during shipping. This coat may leave some discoloration on your griddle. This is normal and will even out during the seasoning process.

## What is Seasoning?

Seasoning is the process of treating a metal cooking surface with a non-stick coating formed from bonding fat or oil to the surface with high heat. This step is essential to prepare raw steel or cast-iron cookware for use. There are two main reasons for seasoning:

- To coat the cookware to prevent rust
- To create a natural, permanent non-stick cooking surface

Seasoning is an easy, but very important step when using and maintaining your Char-Griller® Griddle. Your griddle can and should be seasoned repeatedly to constantly restore the cooking surface and to continuously improve its cooking performance over time.

*Remember: Seasoning is an ongoing process that takes time and repeated use before a griddle or pan develops a shiny, black surface like your grandmother's cast iron cookware. The more often you cook on and season your griddle, the more non-stick the surface will become.*

## Seasoning Instructions

1. Ensure griddle surface is clean and completely dry.
2. Light the gas burners and allow the surface of the griddle to heat up (MED-HI).
3. After griddle has heated up, carefully apply a generous, even coating of food-grade cooking oil (vegetable, olive, flaxseed, etc.) to the griddle surface.
4. Use a paper towel and tongs to spread the oil evenly across and thinly coat the entire cooking surface of the griddle.
5. When coated surface begins to lightly smoke, turn off the burners and allow griddle to cool down naturally.
6. Your griddle is now ready for use!

For optimal results, season the griddle surface after each use for the first 10 to 12 uses.



**LEARN HOW TO  
SEASON YOUR  
NEW GRIDDLE!**



## **Cleaning the Griddle**

### **BEFORE FIRST USE:**

Char-Griller® Griddles are coated with vegetable oil to prevent rust and damage during shipping. Before first time use, wash the griddle surface with hot, soapy water. **THIS IS THE ONLY TIME YOU SHOULD USE SOAP OR DETERGENT ON THE GRIDDLE.** Rinse and dry completely with paper towels. Proceed with seasoning instructions.

### **AFTER EACH USE:**

To clean the griddle after each use, gently scrape away any food residue or build up with a spatula and wipe down the griddle surface with a paper towel. If necessary, pour hot water onto the griddle surface and let it boil off tough residue. Wipe again with a paper towel and dry completely. ¼ cup of table salt can also be used to buff off stuck on food.

For optimal performance, coat the still warm griddle with a thin layer of vegetable oil after each cook to help maintain the seasoned surface.

## **General Griddle Cleaning**

- Do not mistake brown or black accumulation of grease and smoke for paint.
- Do NOT apply a caustic griddle/oven cleaner to painted surfaces.
- To clean plastic parts: Wash them with warm soapy water and wipe dry. Do not use Citrisol, abrasive cleaners, degreasers or a concentrated oven cleaner on plastic parts. Damage to and failure of parts can result.
- To clean painted surfaces: Wash with mild detergent or nonabrasive cleaner and warm soapy water. Wipe dry with a soft nonabrasive cloth.
- If rust or scaling develop on the cooking surface, scrub it off using steel wool, a steel brush or high grit sandpaper and re-season surface.

Baked-on grease deposits may require the use of an abrasive plastic cleaning pad. Use only in direction of brushed finish to avoid damage. Do not use abrasive pad on areas with graphics.

## **Storage of Appliance**

Ensure griddle surface is completely dry before storing. When the appliance is not in use, it should be covered and stored in a dry, dust-free environment. Storage of an appliance indoors is only permissible if the cylinder is disconnected and removed from the appliance. To maximize life of the grill, use a custom-fit Char-Griller® Cover (Model #8075).

# **FREQUENTLY ASKED QUESTIONS**

## **Q. What if my griddle starts to rust?**

**A.** If rust appears on the griddle surface, carefully rub the rust off with steel wool or low grain sandpaper and re-season the surface. Take care to always completely dry your griddle before storing and keep away from rain and sprinklers.

**\*CUSTOMERS IN HUMID OR COASTAL CLIMATES MAY REQUIRE MORE FREQUENT SEASONINGS AND THE USE OF HEAVIER COOKING OILS TO AVOID RUSTING AND CORROSION.\***

## **Q. What types of cooking oils can I use to season my griddle?**

**A.** We recommend the following oils for seasoning purposes: vegetable oil, canola oil, coconut oil, flaxseed oil, olive oil and sesame oil. Lard can also be used to season the griddle top.

## **Q. Can I use dish detergent to clean my griddle?**

**A.** Grease cutting dish detergents will erase the seasoning on the griddle, so we do not recommend ever using soap on your griddle after it has been seasoned. For tough food caked on to the griddle, use table salt and hot water and scrub. Make sure to fully dry off the griddle and coat with oil after scrubbing.

## **Q. Why does my griddle surface look dull and dry instead of shiny and black?**

**A.** Season is a continuous process. Over time and the more often you season your griddle top, the more shiny, black and non-stick it will become.

## **Q. What do I do if I need to store my griddle for an extended period of time?**

**A.** We recommend coating your griddle top in a light layer of vegetable oil before storing for a long period of time. This will prevent rust and any residue from collecting on the grill. Make sure to cover and store in a dry place. When taking the griddle out of storage, wipe oil off with a paper towel.



# GRIDDLE RECIPES

## **Breakfast**

### **SUNDRIED TOMATO OMELET**

#### **Ingredients (per omelet):**

2 to 3 eggs  
2 tbsp Milk  
1 Tbsp Sundried tomatoes  
1 to 2 slices diced ham  
1/8 Cup Mozzarella Cheese  
Fresh Basil, chopped  
Salt and Pepper to Taste

#### **Instructions:**

1. Whisk together eggs, milk, and salt and pepper.
2. Preheat griddle to medium high and add desired oil.
3. Pour egg mixture on griddle using the spatulas to make sure it doesn't spread too much.
4. Allow to cook for 2 to 3 minutes and add in tomatoes, cheese, ham and basil to one side of the omelet and use the spatula to fold over the other side to make the omelet.
5. Turn down the burner to medium low and allow to cook until cheese is melted, flipping once.

### **PANCAKES**

#### **Ingredients:**

3 Cups of Flour  
2.5 Tbsp Baking Powder  
2 tsp Salt  
2 Tbsp Sugar  
2.5 Cups Milk  
Eggs  
6 Tbsp Melted Butter

#### **Instructions:**

1. Combine all ingredients and mix until smooth.
2. Heat a lightly oiled griddle to medium high heat.
3. Pour scoops of batter onto griddle using approximately ¼ cup for each pancake.
4. Brown on both sides and serve hot.

## **FRENCH TOAST**

### **Ingredients:**

12 slices of thick bread  
4 eggs  
1.5 Cups Milk  
½ tsp Ground Cinnamon  
½ tsp Ground Nutmeg  
2 tsp Vanilla Extract  
Salt to taste

### **Instructions:**

1. Beat together egg, milk, salt, spices and vanilla.
2. Heat lightly oiled griddle to medium high heat.
3. Dunk slices of bread in egg mixture, ensuring both sides are soaked.
4. Place soaked slices on griddle, cook on both sides until golden brown.

## **BACON**

### **Ingredients:**

Package of favorite bacon

### **Instructions:**

1. Heat griddle to medium high.
2. Place strips of bacon on griddle.
3. Flip to brown both sides.
4. Remove when desired level of crispiness is reached.



## **Lunch**

### **PHILLY CHEESESTEAK**

#### **Ingredients:**

2 Lbs thinly sliced beef  
1 Onion, Sliced  
2 Green Peppers, Sliced  
1 tsp garlic powder  
2 Tbsp butter  
Salt and Pepper to Taste  
3 Tbsp Apple Cider Vinegar  
12 to 16 slices of Provolone Cheese  
1 Jar of Cheese Whiz  
6 Hoagie Rolls

#### **Instructions:**

1. Preheat griddle to medium high heat.
2. Add tablespoon of butter and some oil to griddle.
3. Add onions and peppers to griddle.
4. Season with salt, pepper, vinegar and ½ tsp garlic powder. Toss to combine.
5. Add another tablespoon of butter and some oil to the griddle.
6. Add beef to the griddle and chop it up more with your metal spatulas to ensure it cooks evenly.
7. Season beef with salt, pepper and ½ tsp of garlic powder.
8. When meat is cooked, divide it up on the griddle top into 6 piles.
9. Turn griddle heat to medium and add a few tablespoons of Cheese Whiz to each pile of meat.
10. Divide veggies up evenly among the six piles of meat.
11. Add 2 to 3 slices of provolone cheese to each pile.
12. Split the hoagie rolls and toast them on the griddle.
13. Once the cheese is melted, put each pile of meat on hoagie roll and serve hot.

## **SMASH BURGER**

### **Ingredients:**

2 Lbs of ground beef  
American Cheese  
Salt and Pepper  
Char-Griller® Steak Rub  
Hamburger Buns – 12

### **Instructions:**

1. Season beef and portion out into 1 inch round balls.
2. Preheat griddle to medium high heat.
3. Place beef on griddle and place spatula on them, press down on the spatula to smash the burger until its super thin.  
*A rolling pin or wooden spoon helps with leverage.*
4. Cook burgers for 1 minute and then flip immediately placing cheese on top of the burger.
5. Allow to cook for one more minute.
6. Toast buns on griddle.
7. Stack two burgers on top of each other on bun and add burgers toppings if desired.

## **FLAT IRON® TOMATO SOUP GRILLED CHEESE**

### **Ingredients:**

8 Slices of Bread (Your Favorite Kind)  
4 Slices of Cheese (Your Favorite Kind)  
2 Tomatoes (Cut Into 8 Slices)  
1 Tbsp Garlic Salt  
1 Tbsp Olive Oil

### **Instructions:**

1. Make sure your Char-Griller® Flat Iron® griddle is seasoned and ready for use! Turn griddle on medium low heat, and preheat for 5-10 minutes.
2. Drizzle bread with olive oil, and sprinkle slices with garlic salt. Arrange on Flat Iron® griddle, and let the bread begin to toast for 2 minutes.
3. Next, layer your slice of bread with cheese, slices of tomato, and basil. Arrange the rest of the ingredients on the bread and the cheese to melt, about 5 more minutes.
4. Fold opposite half onto its match, and pull sandwiches from griddle. Cut in half, and enjoy!



## **Dinner**

### **FLAT TOP STEAK**

#### **Ingredients:**

6 Strip Steaks  
3 Tbsp Butter  
Salt and Pepper

#### **Instructions:**

1. Season steaks with salt and pepper on both sides.
2. Add butter to griddle and heat to medium high heat.
3. Add steaks to griddle and sear for 5 to 6 minutes on each side or until desired temperature is reached. (145 degrees is recommended).

### **CHICKEN**

#### **Ingredients:**

2 Lbs Chicken Breasts  
4 Tbsp Dijon Mustard  
2 Tbsp Honey  
2 Tbsp White Wine Vinegar  
3 Scallions, diced  
Salt and Pepper to Taste  
1 tsp Paprika

#### **Instructions:**

1. Add chicken, mustard, honey, vinegar, scallions, salt and pepper and paprika to plastic bag.
2. Ensure chicken is fully coated in marinade.
3. Marinate in refrigerator for at least 2 hours.
4. Add oil of choice to griddle and preheat to medium high.
5. Place marinated chicken on griddle and cook for 6 to 8 minutes on each side or until internal temperature reaches 165 degrees.
6. Serve with zucchini or asparagus. Also great chopped up on salads!

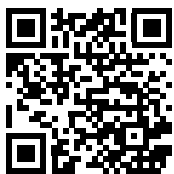
## **SHRIMP STIR FRY**

### **Ingredients:**

1 Lb. Shrimp, peeled and deveined  
1 Head of broccoli, chopped  
3 Large Carrots, peeled and chopped  
1 can of water chestnuts, drained  
1 can of baby corn, drained  
1 yellow onion, sliced  
2 Green Peppers, diced  
4 Cups of cooked rice  
1 Egg  
1 Tbsp Freshly grated ginger  
4 Tbsp Sesame Oil  
Soy Sauce to Taste  
Salt and Pepper to Taste

### **Instructions:**

1. Add 2 Tbsp sesame oil to griddle and preheat to medium high.
2. Add all veggies to grill and toss to coat with sesame oil.
3. Cook for 6 to 8 minutes.
4. Add 1 Tbsp sesame oil to griddle and add shrimp.
5. Toss shrimp and cook until opaque. (about 5 to 6 minutes)
6. Combine veggies and shrimp and add desired amount of soy sauce, 1 Tbsp ginger and salt and pepper to taste.
7. Turn the two left-most griddle burners to low and move veggies and shrimp to that side.
8. Add final 1 Tbsp of sesame oil to griddle and crack egg.
9. Scramble egg and add rice to the egg. Cook until slightly browned.
10. Plate with rice under veggies and shrimp and serve.



**FIND MORE RECIPES  
AT CHARGRILLER.COM**

# FAVORITE ACCESSORIES

FOR THE FULL LINE OF ACCESSORIES VISIT [CHARGRILLER.COM](http://CHARGRILLER.COM)



## Flat Iron® Griddle Essentials Kit

(2) Squirt Bottles  
(2) Spatulas  
Scraper

Model #E8905



## Flat Iron® Griddle Breakfast Kit

(1) Batter Dispenser  
(1) Cast Iron Bacon Press  
(2) Non-stick Egg Rings

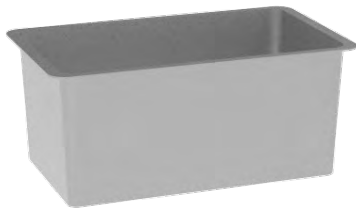
Model #8933



## Flat Iron® Griddle Cleaning Kit

(1) Griddle Scraper  
(2) Cleaning Bricks & Handle  
(3) Scouring Pads & Handle

Model #8922



## Flat Iron® Grease Cup Liners

Quick, easy and disposable  
Make cooking and cleaning  
on your Flat Iron® a breeze

Model #8903



## Flat Iron® Basting Cover

Melt cheese  
Steam vegetables  
Keep food warm  
Stay Cool™ handle

Model #8966



## Flat Iron® Burger Press

Create perfect burgers  
every time

Model #8813

**For product support, please contact us at:**

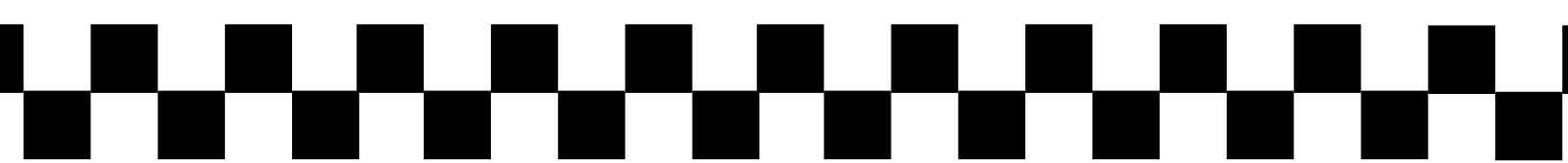
**Service@CharGriller.com**

**OR**

**CALL US: 1-912-638-4724**



**P.O. Box 30864  
Sea Island, GA 31561  
1-912-638-4724  
www.CharGriller.com  
Service@CharGriller.com**



# MANUAL DEL PROPIETARIO



## FLAT IRON

# PLANCHA DE GAS PREMIUM

**Modelo #8536**



**Mantenga su recibo junto con este manual para fines de la garantía.**

**SERVICIO AL CLIENTE  
1-912-638-4724  
Service@CharGriller.com**



**¡APRENDA CÓMO CURAR SU NUEVA PARRILLA!**

El contenido de este manual está registrado y los derechos de autor son propiedad de Char-Griller® | A&J Manufacturing. El uso de la información contenida en este manual sin el consentimiento de Char-Griller® y/o A&J Manufacturing está estrictamente prohibido.



# TABLA DE CONTENIDO

Advertencias De Seguridad Y Garantía .....	A-1
Instrucciones De Montaje .....	B-1
Uso Del Producto .....	C-1
Recetas .....	D-1
Accesorios .....	E-1



## **Peligro**

Si siente olor a gas:

1. Cierre el gas al aparato.
2. Apague cualquier llama abierta.
3. Si sigue sintiendo el olor, manténgase alejado del aparato y llame a su proveedor de gas o al departamento de bomberos.



## **Advertencia**

1. No almacene ni use gasolina u otros líquidos o vapores inflamables cerca de este o cualquier otro aparato.
2. No debe almacenarse un tanque de LP que no esté conectado para ser usado cerca de este o cualquier otro aparato.



## **Advertencia**

Únicamente para uso en exteriores.



# ADVERTENCIAS DE SEGURIDAD IMPORTANTES

**Se requiere de un cilindro de propano para la operación. Esta plancha a gas no está pensada para su uso comercial.**

**GUARDE ESTAS INSTRUCCIONES PARA SU REFERENCIA EN EL FUTURO. SI ESTÁ ENSAMBLANDO ESTA UNIDAD PARA ALGUIEN MÁS, DELE ESTE MANUAL PARA QUE LO GUARDEN PARA SU REFERENCIA EN EL FUTURO.**

## **ADVERTENCIA:**

La instalación, el ajuste, la alteración o mantenimiento inapropiado pueden causar lesiones o daños a las propiedades. Lea las instrucciones de instalación, operación y mantenimiento completamente antes de ensamblar o realizar mantenimiento a este equipo. El no seguir estas instrucciones puede resultar en un incendio o explosión que pueden causar daños a la propiedad, lesiones personales o la muerte.

## **PELIGRO:**

NO utilice la plancha a gas para dar calefacción o cocinar en interiores. Pueden acumularse vapores TÓXICOS y causar asfixia. No usar en botes ni vehículos recreacionales.

## **ADVERTENCIA:**

Las partes accesibles pueden calentarse mucho. Mantenga a sus niños pequeños alejados. Lea los documentos de instrucción antes de utilizar la unidad. El uso de partes no autorizadas puede crear condiciones o un ambiente inseguro.

**NOTA:** El uso e instalación de este producto debe cumplir con los códigos locales, o de no haber códigos locales, con el Código de Instalación de Gas Natural y Propano, CSA B149.1, o el Código de Almacenamiento y Manejo del Propano, CSA B149.2.

**AVISO IMPORTANTE:** Lea todas las instrucciones antes del ensamblaje y el uso. Lea y entienda todas las advertencias y precauciones antes de operar su plancha.

## **LEA CUIDADOSAMENTE TODAS LAS ADVERTENCIAS E INSTRUCCIONES DE SEGURIDAD ANTES DE ENSAMBLAR Y OPERAR SU PLANCHA**



**WARNING:** FUELS USED IN LIQUEFIED PROPANE GAS APPLIANCES, AND THE PRODUCTS OF COMBUSTION OF SUCH FUELS, CAN EXPOSE YOU TO CHEMICALS INCLUDING BENZENE, WHICH IS KNOWN TO THE STATE OF CALIFORNIA TO CAUSE CANCER AND CAUSE BIRTH DEFECTS OR OTHER REPRODUCTIVE HARM. For more information go to: [www.P65Warnings.ca.gov](http://www.P65Warnings.ca.gov).

**ADVERTENCIA:** LOS COMBUSTIBLES USADOS EN EQUIPOS PARA LICUAR GAS PROPANO, ASÍ COMO LOS PRODUCTOS DE SU COMBUSTIÓN, PUEDEN EXPONERTE A SUSTANCIAS QUÍMICAS, ENTRE ELLAS EL BENCENO, QUE EL ESTADO DE CALIFORNIA RECONOCE COMO CAUSA DE CÁNCER Y DE MALFORMACIONES CONGÉNITAS Y OTROS DAÑOS AL SISTEMA REPRODUCTOR. Para más información, visite [www.P65Warnings.ca.gov](http://www.P65Warnings.ca.gov)

Lea las siguientes instrucciones cuidadosamente y asegúrese de que su parrilla esté ensamblada, instalada y mantenida adecuadamente. El no seguir estas instrucciones puede resultar en lesiones corporales severas y/o en daños a la propiedad. Si tiene alguna pregunta sobre el ensamblaje o la operación, consulte a su proveedor o a su compañía de gas.

- Cuando esté en uso, siempre coloque la unidad y el cilindro de gas en un nivel plano sobre el suelo. La parrilla puede ser utilizada con un cilindro de gas de 20lb. Esta parrilla está diseñada para funcionar a una presión de entrada de: columna de agua de 11 pulgadas.
- Compre cilindros LP solamente con estas medidas requeridas: 12 "(30.5 cm) (diámetro) x 18" (45.7 cm) (alto) con capacidad de 20 lb (9 kg).
- NO mueva la unidad durante su uso.
- NO intente desconectar ninguna de las piezas del gas mientras la parrilla está en uso.
- NO utilice un cilindro de gas si el cilindro o la válvula están dañados, oxidados o abollados, ya que esto puede ser peligroso. Contacte a su proveedor para revisarlos.
- NO se incline sobre una parrilla abierta y tenga cuidado con sus manos/dedos cerca del borde del área de cocina.
- Si ocurriese un incendio, cierre todos los fogones de gas, cierre la tapa, y aléjese de la parrilla hasta que se hayan apagado las llamas
- Si se apagan las llamas mientras está en operación, cierre todas las válvulas de gas y deje la tapa abierta. Regrese a la parrilla tras cinco minutos y trate de volver a encender los fogones – siguiendo las instrucciones de encendido.
- Mantenga a los niños y mascotas alejados de la parrilla cuando esté en uso. Algunas partes de la parrilla pueden calentarse mucho.
- Cuando limpie las válvulas y los fogones, tenga cuidado de no estirar los orificios de las válvulas ni los puertos de los fogones.
- Aleje tanto como sea posible las mangueras del gas de las superficies calientes y de la grasa caliente que gotee.
- Puede haber gas en un cilindro que aparente estar vacío. Adhiérase al transporte/almacenamiento adecuado del cilindro en todo momento.
- Si hay gas escapando de un cilindro, aléjese inmediatamente del cilindro y llame a su proveedor de gas o al departamento de bomberos. NO trate de abordar el problema usted mismo.
- NO utilice llamas para revisar si hay fugas de gas.
- REVISE si hay fugas de gas o cualquier obstrucción en los fogones antes de su uso. Esto es particularmente importante tras un periodo de almacenamiento e inactividad.
- El tubo flexible debe ser cambiado cuando se dañe o se agriete, o antes de la fecha de vencimiento impresa en el tubo. O, cambie el tubo cada cinco (5) años.
- Siempre conecte o reemplace los cilindros en un área bien ventilada, y nunca donde haya una llama, chispa o fuente de calor.
- La parrilla debe mantenerse alejada de materiales inflamables.



- Cierre el suministro en el contenedor de gas tras su uso.
- No altere esta parrilla de ninguna manera.
- No toque las partes metálicas de la parrilla hasta que se haya enfriado completamente (alrededor de 45 minutos) para evitar quemaduras, a menos que lleve equipo protector (guantes de parrilla soportes para ollas, etc.).
- Tenga en cuenta que las partes selladas por el fabricante o su agente no deben ser alteradas.
- Cuando ensamble la parrilla, posicione el tubo conector flexible de manera que esté protegido contra torceduras.
- Manténgase alejado de cualquier fuente de ignición cuando cambie el contenedor del gas.
- Cuando ensamble la parrilla, no obstruya las aperturas de ventilación del compartimento contenedor de la parrilla. Nos reservamos el derecho de hacerle ajustes técnicos menores al dispositivo.
- Cuando cocine con aceite/grasa, no permita que el aceite/grasa exceda los 350°F (177°C). No ponga ni utilice aceite para cocinar adicional en las proximidades de este ni ningún otro electrodoméstico.

## **PRECAUCIÓN**

1. Nunca llene el cilindro por encima del 80% de su capacidad. No seguir la información de arriba exactamente puede resultar en un incendio que cause la muerte o lesiones graves.
2. No almacene un cilindro de gas de repuesto debajo o cerca de esta unidad, y:
3. Si no se siguen exactamente las instrucciones de 1 y 2, se producirá un incendio que provocará la muerte o lesiones graves. puede ocurrir.
4. Coloque el tapón antipolvo en la salida de la válvula del cilindro de LP siempre que el cilindro de LP no esté en uso. Solo instale el tipo de tapón antipolvo en la salida de la válvula del cilindro de LP que se proporciona con la válvula del cilindro de LP. Otros tipos de tapas o taponos pueden provocar fugas de propano.
5. Nunca intente conectar esta parrilla al sistema de propano propio de un tráiler de acampada, de una casa móvil o de una casa.
6. No utilice gasolina, queroseno ni alcohol para encenderla. El cilindro de suministro de gas debe estar construido y marcado conforme con las especificaciones para cilindros de gas del Departamento de Transporte (DOT) de los E.U., CFR 49.
7. El cilindro de suministro de gas debe estar provisto de un dispositivo contra sobrellenado autorizado.
8. El cilindro de suministro de gas debe estar provisto de un dispositivo de conexión para el cilindro compatible con la conexión para electrodomésticos de cocina en exteriores.
9. Esta parrilla no está pensada para su uso en vehículos y/o botes recreativos.
10. No utilice la parrilla a menos que esté completamente ensamblada y todas las partes estén ajustadas y colocadas de manera segura.

11. Mantenga todos los artículos y superficies combustibles alejadas al menos 10 pies (3.05 m) de la parrilla en todo momento.
12. NO utilice esta parrilla ni ningún producto a gas cerca de construcciones combustibles sin protección.
13. No utilizar en una atmósfera explosiva. Mantenga el área de la parrilla limpia y libre de materiales combustibles, gasolina y demás vapores y líquidos inflamables.
14. Nunca guarde un contenedor lleno en un auto o cajuela caliente. El calor causará que la presión del gas aumente, lo que puede abrir la válvula de descargue y permitir que el gas escape.
15. Mantenga el compartimento de válvulas, los fogones y los canales de circulación de aire limpios. Inspeccione la parrilla antes de cada uso.

## **ADVERTENCIA**

- Esta parrilla es para su uso únicamente en exteriores, y no debe ser utilizada en ningún edificio, garaje, ni ninguna otra área encerrada.
- El consumo de alcohol o de drogas con o sin receta puede afectar la capacidad del operador de ensamblar adecuadamente u operar seguramente la parrilla.
- Siempre abra la tapa de la parrilla lenta y cuidadosamente, ya que el calor y vapor atrapados en la parrilla pueden quemarlo severamente.
- Coloque siempre la parrilla en una superficie dura y nivelada, lejos de combustibles. Las superficies de asfalto o aglomerado pueden no ser aceptables para este propósito.
- No deje la parrilla desatendida. Mantenga a los niños y mascotas lejos de la parrilla en todo momento.
- No coloque la parrilla en ninguna superficie sobre una mesa.
- No utilice la parrilla cuando haya vientos fuertes.
- Desconecte el tanque de propano cerrando primero la válvula en la parte superior del tanque, cierre las válvulas de los fogones, luego desconecte el regulador de la válvula en el tanque de propano girando el conector plástico en el sentido contrario de las agujas del reloj. Desatornille utilizando el perno en la plataforma inferior para liberar el tanque para su retiro.

## **PELIGRO**

- El gas de propano líquido es inflamable y peligroso si se maneja inadecuadamente. Conozca sus características antes de utilizar cualquier producto de propano
- Características del propano: inflamable, explosivo bajo presión, más pesado que el aire y se asienta en piscinas y áreas bajas.
- En su estado natural, el propano no tiene aroma. Por su seguridad, se ha añadido un aroma.
- El contacto con propano puede causar quemaduras por congelación en la piel.
- Nunca utilice un cilindro de propano con un cuerpo, válvula, collar o base dañada.



- Los cilindros de propano abollados u oxidados pueden ser peligrosos y deben ser revisados por su proveedor de gas propano.
- Sea precavido cuando ensamble u opere su parrilla para evitar arañazos o cortes por los bordes afilados.
- Sea precavido cuando mueva la parrilla para evitar esguinces o torceduras.
- Nunca mueva la parrilla cuando esté en uso o caliente.
- Asegúrese de vaciar la bandeja de grasa tras cada uso una vez esté completamente enfriada.
- Para protegerse contra bacterias que pueden causar enfermedades, mantenga todas las carnes refrigeradas y descongélelas en un refrigerador o microondas. Mantenga las carnes crudas separadas de otros alimentos, y lave todo lo que entre en contacto con carne cruda.
- Cocine la carne completamente, y refrigere las sobras inmediatamente.
- Utilice un termómetro de alimentos calibrado y las pautas de la USDA para asegurar que las carnes, las aves, los mariscos y demás alimentos cocinados lleguen a una temperatura mínima segura.
- Siempre tenga un extinguidor cerca. Mantenga y revise su extinguidor regularmente.
- Las baterías no recargables no deben ser recargadas.
- No mezcle tipos distintos de baterías, tales como alcalinas, de carbón- zinc, o recargables.
- No mezcle baterías antiguas con nuevas.
- Las baterías agotadas deben ser retiradas del producto.
- Baterías incluidas.
- **NO SE DESHAGA DE LAS BATERÍAS EN EL FUEGO. LAS BATERÍAS PUEDEN EXPLOTAR O TENER FUGAS.**

**\*\*\* ¡DETÉNGASE! ¡LLAME A  PRIMERO! \*\*\***

## **NO Devuelva El Producto A La Tienda.**

Esta parrilla se ha creado siguiendo las normas de calidad más altas. Si tiene preguntas que este manual no aborda o si necesita piezas, llame a nuestro Departamento de Atención al Cliente al 1-912-638-4724 (EE.UU.) o escríbale un correo electrónico a Char-Griller® al: [Service@CharGriller.com](mailto:Service@CharGriller.com) y tenga su número de serie a mano.

## **REGISTRE SU PARRILLA:**

Para aprovechar la garantía de Char-Griller® al máximo, asegúrese de registrar su parrilla visitando [www.CharGriller.com/Register](http://www.CharGriller.com/Register) o llame al departamento de Servicio al Cliente al **1-912-638-4724**.

Registrarse le aporta protecciones importantes:

1. Char-Griller® puede contactarlo fácilmente y rectificar el problema en el caso extremadamente improbable que deba retirarse el producto del mercado.
2. Si una pieza garantizada está rota o le falta, podemos enviarle las piezas necesarias inmediatamente.

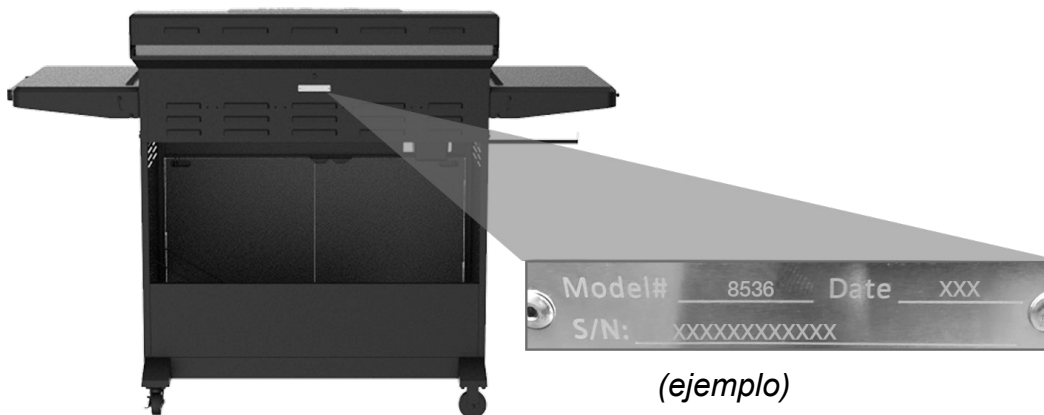
**NOTA:** Para registrarse, necesitará su número de modelo, número de serie y una copia del recibo de compra original.

**Documente su modelo de parrilla y números de serie AQUÍ:**

(Puede encontrar el modelo y el número de serie en la parte trasera de la carcasa de la parrilla o en la pata)



**(NO. DE SERIE)**



*(ejemplo)*



# INFORMACIÓN DE GARANTÍA

SE NECESITA UNA COPIA DEL COMPROBANTE DE COMPRA CON FECHA (RECIBO) PARA REGISTRARSE O PRESENTAR UN RECLAMO DE GARANTÍA\*. CONSERVE UNA COPIA DEL RECIBO PARA SUS REGISTROS.

Char-Griller reemplazará cualquier pieza defectuosa de sus parrillas/ahumadores, bajo garantía, según se describe de abajo.

LEA ESTA INFORMACIÓN DETENIDAMENTE Y COMUNÍQUESE CON EL DEPARTAMENTO DE SERVICIO AL CLIENTE MARCANDO 1-912-638-4724 O ESCRIBIENDO A SERVICE@CHARGRILLER.COM. SI TIENE ALGUNA PREGUNTA.

<b>Parrillas de carbón / Gránulos / Kamado</b>	
Parrilla - cubierta y cuerpo (excluye la bandeja de ceniza retirable)	5 años desde la fecha de compra por corrosión por óxido o quemadura.
Bandeja de ceniza y partes defectuosas	1 año desde la fecha de compra
<b>Parrillas a Gas</b>	
Cubierta de la parrilla y tubos principales de los fogones (excluye el fogón lateral)	5 años desde la fecha de compra por corrosión por óxido o quemadura.
Cuerpo de la parrilla, fogón lateral y partes defectuosas	1 año desde la fecha de compra
<b>Planchas</b>	
Todas las partes defectuosas	1 año desde la fecha de compra
<b>Parrillas de Doble Combustible (Gas y Carbón)</b>	
Parrilla de carbón - Cubierta y fondo, y cubierta de la parrilla a gas (mitad SUPERIOR) y tubos del fogón principal (excluye la bandeja de ceniza y el fogón lateral)	5 años desde la fecha de compra por corrosión por óxido o quemadura.
Bandeja de ceniza, partes defectuosas, cuerpo de la parrilla a gas (mitad INFERIOR) y fogón lateral	1 año desde la fecha de compra
<b>Partes, Accesorios y Fundas de las Parrillas</b>	
	1 año desde la fecha de compra (rasgaduras de costuras únicamente para las fundas)

## LA OXIDACIÓN SUPERFICIAL NO SE CONSIDERA UN DEFECTO DE FABRICACIÓN O DE MATERIALES

Las parrillas Char-Griller están fabricadas de acero y la oxidación ocurrirá naturalmente si se exponen a los elementos. Consulte la sección titulada "Uso" para repasar cómo cuidar su parrilla adecuadamente.

Estas garantías NO cubren problemas superficiales, como raspones, abolladuras, corrosión o decoloración por calor, limpiadores abrasivos y sustancias químicas, oxidación superficial o decoloración de las superficies de acero.

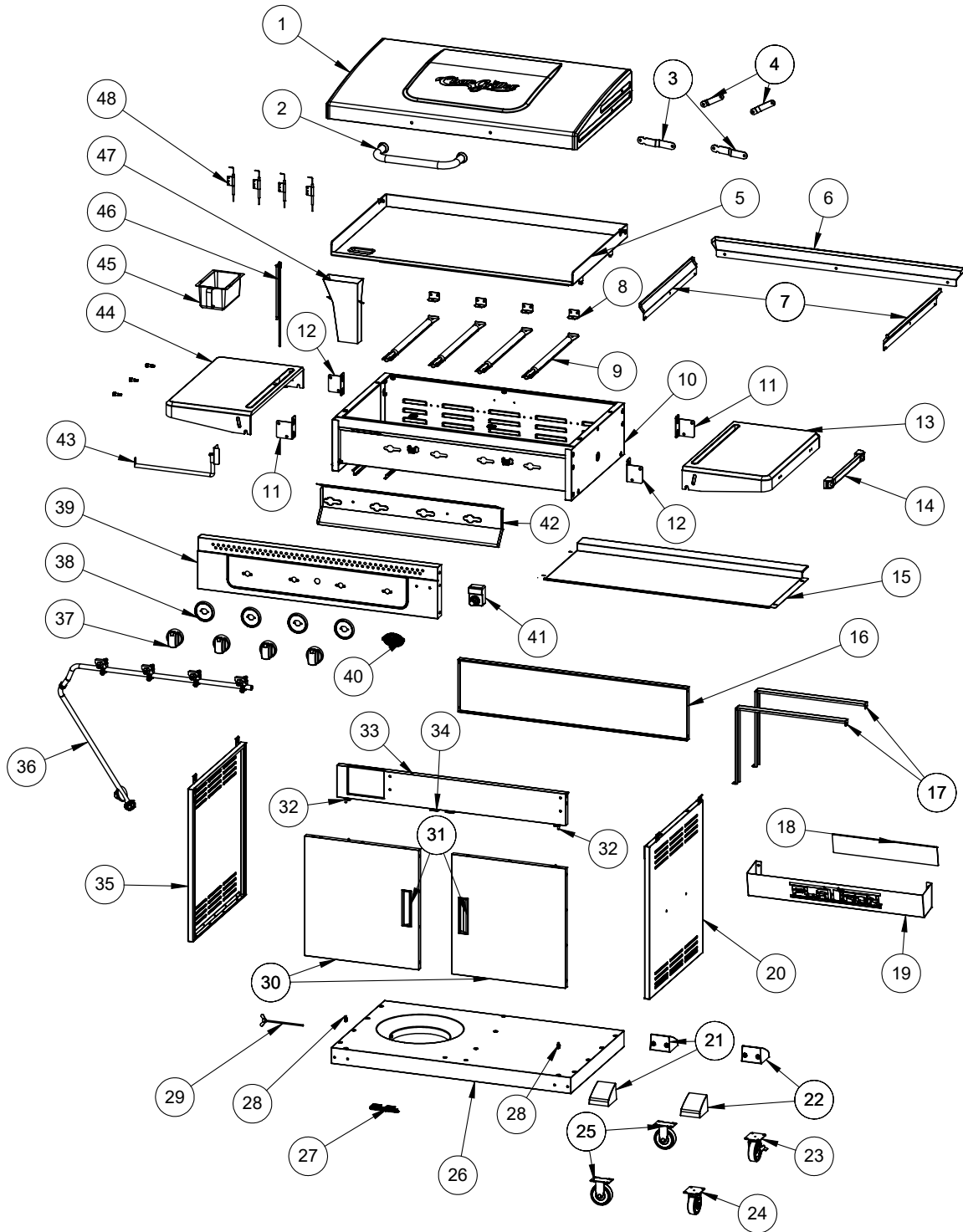
Las garantías son únicamente para reemplazar piezas defectuosas. Char-Griller no se hace responsable de los daños causados por accidentes, alteraciones, mal uso, abuso, ambientes hostiles, instalación incorrecta e instalación que no satisfaga los códigos locales de servicio para la unidad.

### Se excluye bajo TODAS las garantías

Pintura; óxido de superficie; daño causado por el calor; piezas incorrectas que el cliente haya pedido, incluyendo el envío; piezas desgastadas; piezas faltantes o dañadas que no se reporten dentro de los dos (2) meses después de la fecha de compra; piezas defectuosas que no se reporten dentro de un (1) año de la fecha de compra; decoloración de la cubierta de la parrilla.

\*NOTA: Se pueden requerir fotos y el retorno prepago del artículo en cuestión para presentar reclamos de garantía. El mal uso, abuso o uso comercial invalida todas las garantías.

# INSTRUCCIONES DE ENSAMBLAJE





# LISTA DE PARTES










Artículo	Cantidad	Nombre de la parte
1	1	TAPA ABATIBLE
2	1	ASA DE TAPA
3	2	BISAGRA TAPA INFERIOR
4	2	BISAGRA DE LA TAPA SUPERIOR
5	1	PLANCHA
6	1	PARABRISAS TRASERO
7	2	PARABRISAS LATERALES
8	4	SOPORTE DEL FOGÓN
9	4	FOGÓN
10	1	CUERPO PLANCHA PRINCIPAL
11	2	SOPORTE DE ESTANTE LATERAL (DELANTERO IZQUIERDO, TRASERO DERECHO)
12	2	SOPORTE DE ESTANTE LATERAL (DELANTERO DERECHO, TRASERO IZQUIERDO)
13	1	ESTANTE LATERAL ABATIBLE DERECHO
14	1	GANCHO DE HERRAMIENTAS MAGNÉTICO
15	1	ESCUDO DE PARTÍCULAS
16	1	PANEL TRASERO DEL CARRITO
17	2	CABLE DE SEGURIDAD DEL TANQUE
18	1	PLACA DE LOGOTIPO DE CESTA DE CONDIMENTOS
19	1	CESTA DE CONDIMENTOS
20	1	CARRITO PANEL DERECHO
21	2	SOPORTES DE RUEDAS IZQUIERDAS
22	2	SOPORTES DE RUEDAS DERECHAS
23	1	RUEDA CON BLOQUEO
24	1	GUÍA ROTATORIA
25	2	RUEDA FIJA
26	1	REPISA INFERIOR
27	1	IMÁN DE PUERTA DEL ESTANTE INFERIOR
28	2	PASADOR DE SOPORTE DE PUERTA
29	1	SOPORTE DE TANQUE
30	2	PUERTA PRINCIPAL
31	2	MANIJA PUERTA
32	2	ENCHUFE PUERTA SUPERIOR
33	1	BRIDA DELANTERA SUPERIOR
34	1	IMÁN DE PUERTA
35	1	CARRITO PANEL IZQUIERDO
36	1	MONTAJE DE MANGUERAS/VÁLVULAS/REGULADORES
37	4	POMOS CON INDICADOR ROJO
38	4	BISEL DE PERILLA
39	1	PANEL DE CONTROL
40	1	PLACA DE LOGOTIPO CHAR-GRILLER®
41	1	ENCENDEDOR
42	1	ESCUDO DE CALOR
43	1	SOPORTE PARA TOALLAS DE PAPEL
44	1	REPISA IZQUIERDA
45	1	TAZA DE GRASA
46	1	SOPORTE DE FÓSFOROS
47	1	EMBUDO DE GRASA
48	4	PUNTA DE CHISPA CON CABLE

# LISTA DE PARTES

**Ensamblaje:** Requiere 2 personas. Herramientas necesarias: martillo, destornillador de cabeza Phillips, pinzas, y llave de tuerca de 7/16”.

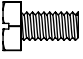

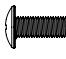
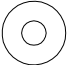
**NOTA:** No apriete ningún tornillo a menos que se le indique. Apretar muy pronto puede evitar que las partes encajen. Todas las tuercas hexagonales deben estar en la parte interior de la parrilla a menos que se indique lo contrario. Desempaque todos los contenidos en un área bien limpia y acolchada.

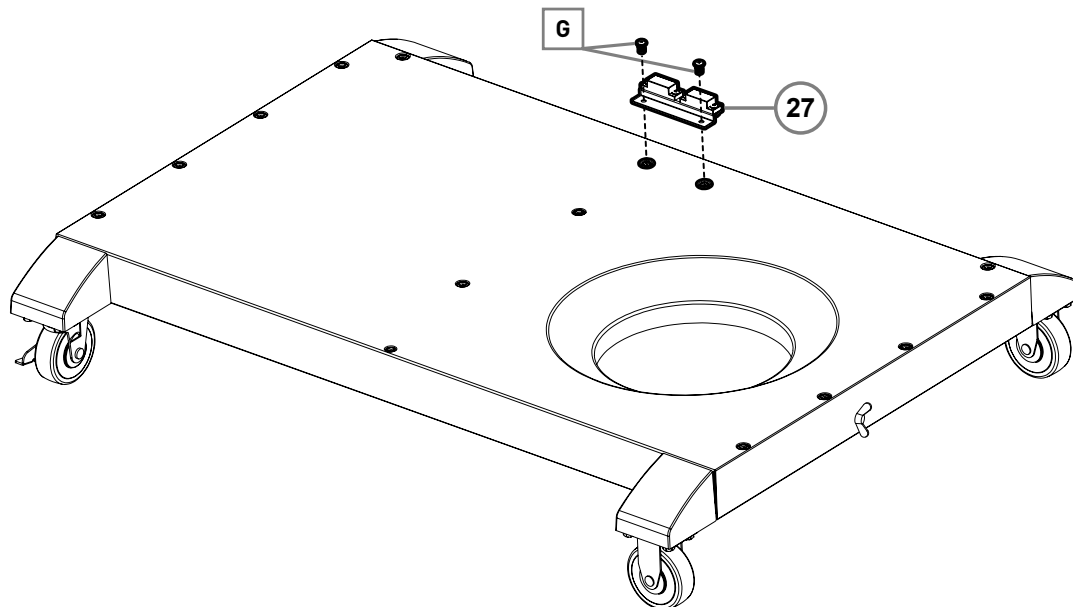
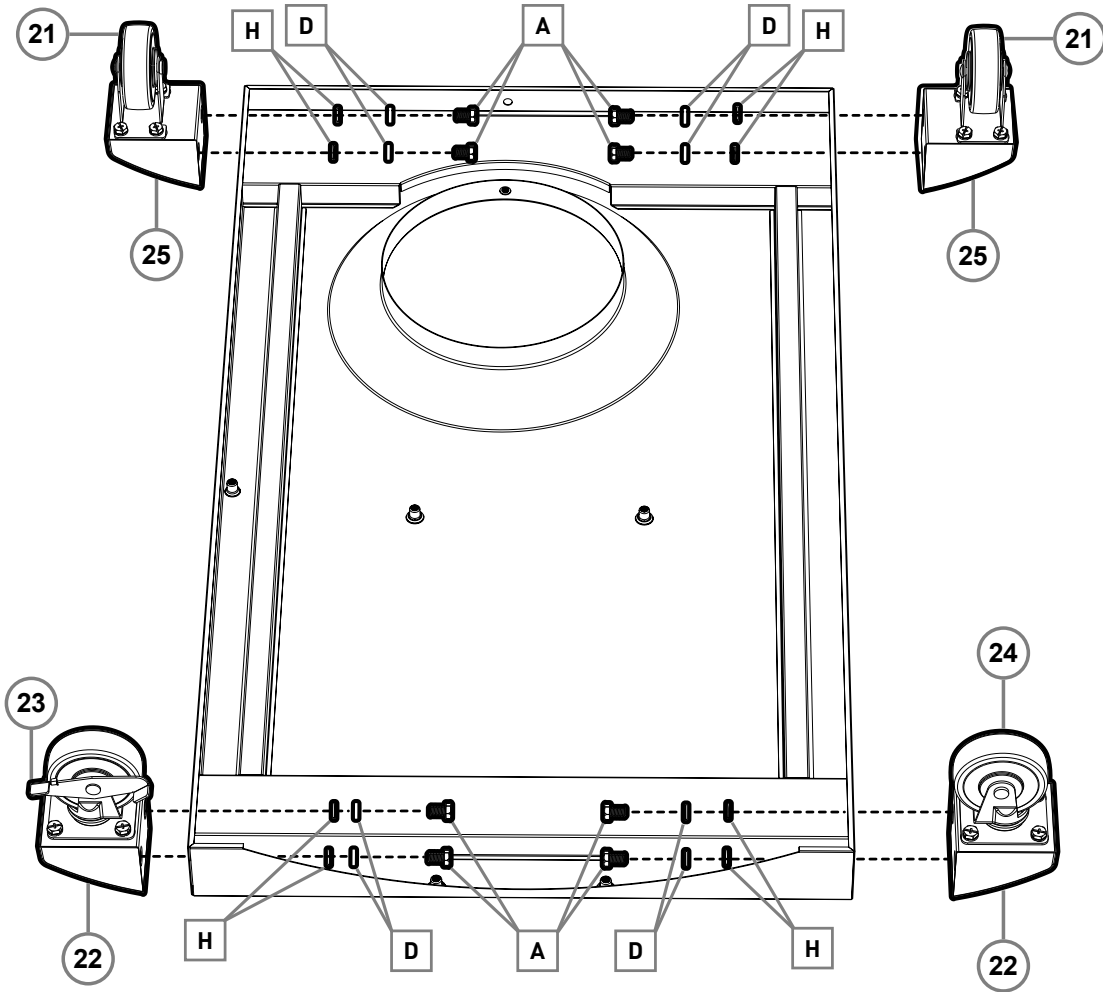
**Tiempo estimado:** 45 minutos  
**Paquete de Ferretería #551157**

Parte No.	Descripción	Foto	Cantidad
A	1/4 - 20 X 1/2” TORNILLO HEXAGONAL		28
B	1/4 - 20 PERNO DE HOMBRO		8
C	TUERCA HEXAGONAL		12
D	1/4 - 20 ARANDELA DE SEGURIDAD		16
E	1/4 - 20 X 3/4” TORNILLO AVELLANADO		6
G	TORNILLO #10 - 24		20
H	1/4” ARANDELA PLANA		8
I	PERNOS DE PUERTA		2
J	GANCHOS PARA UTENSILIOS		3

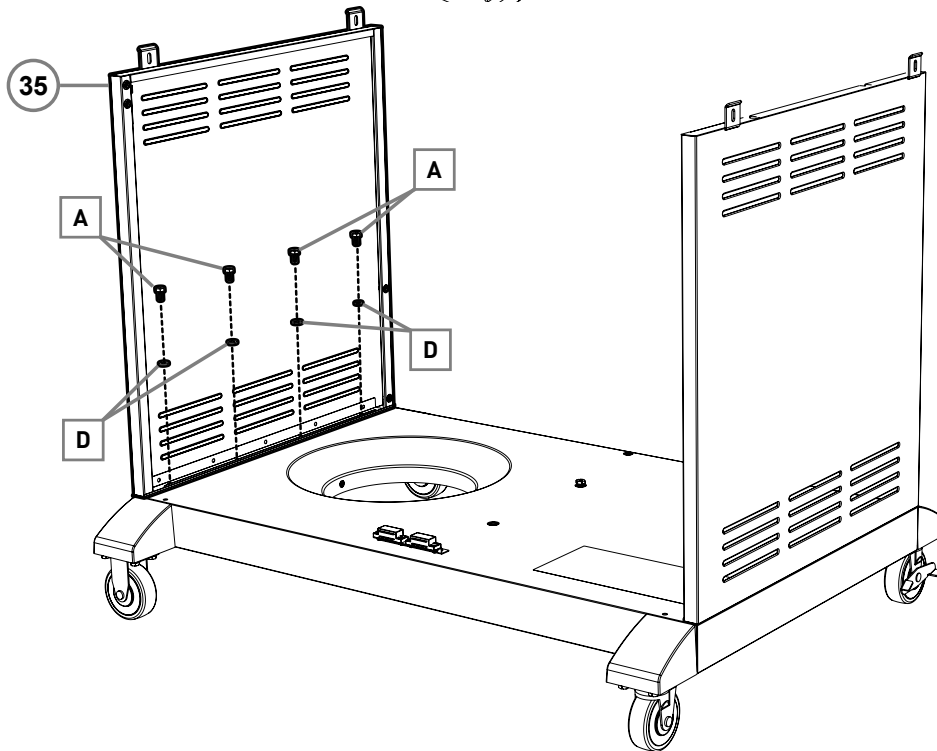
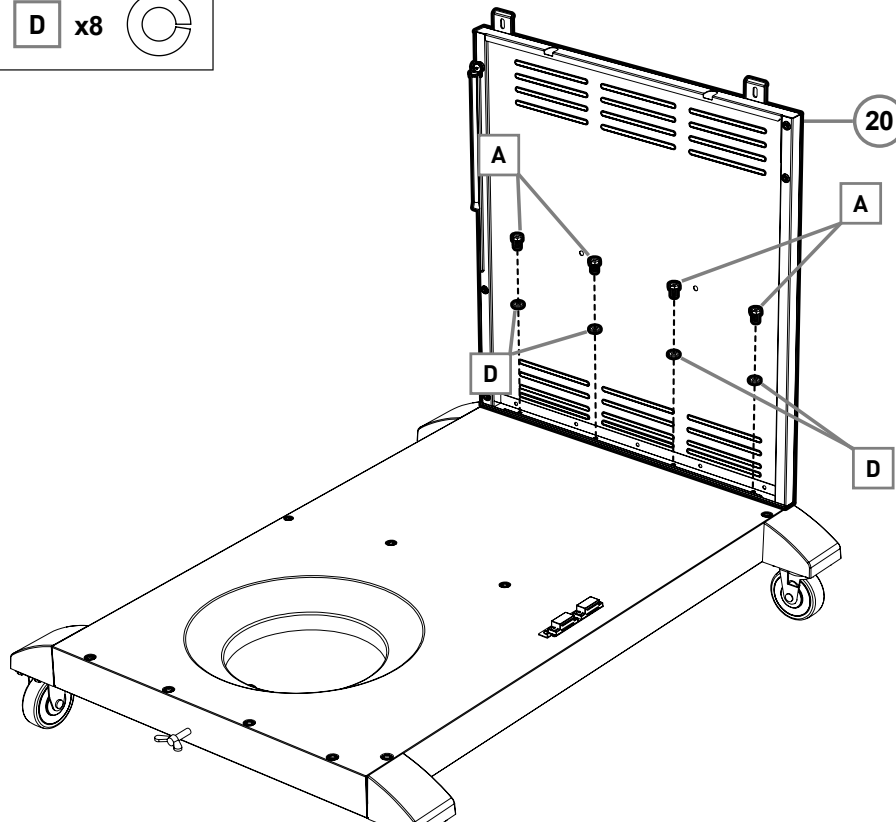
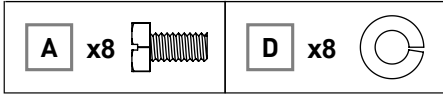


**PASO 1**

<b>A</b> x8 	<b>D</b> x16 	<b>G</b> x2 	<b>H</b> x8 
---	--	---	--

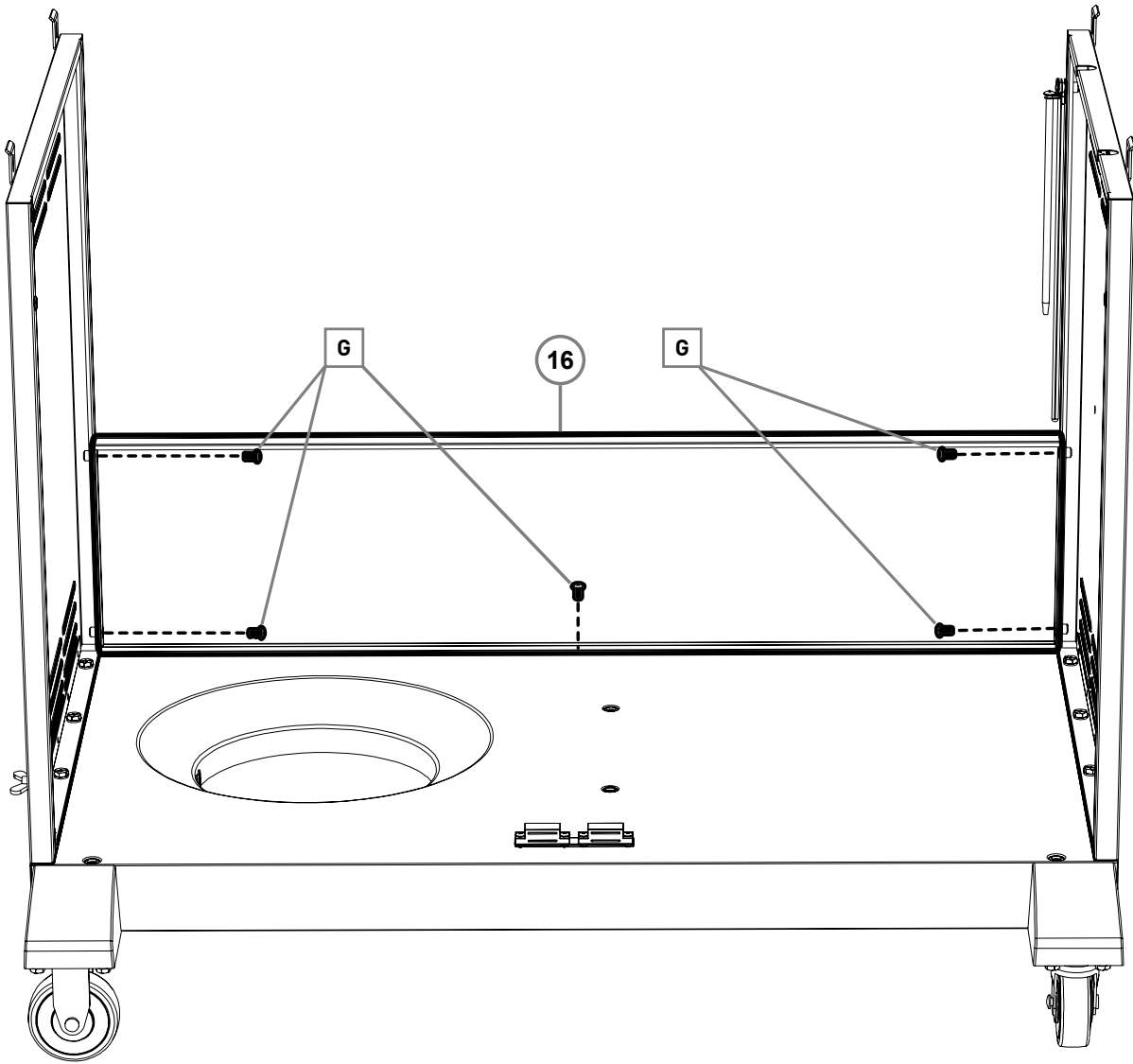
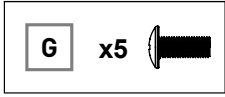


**PASO 2**




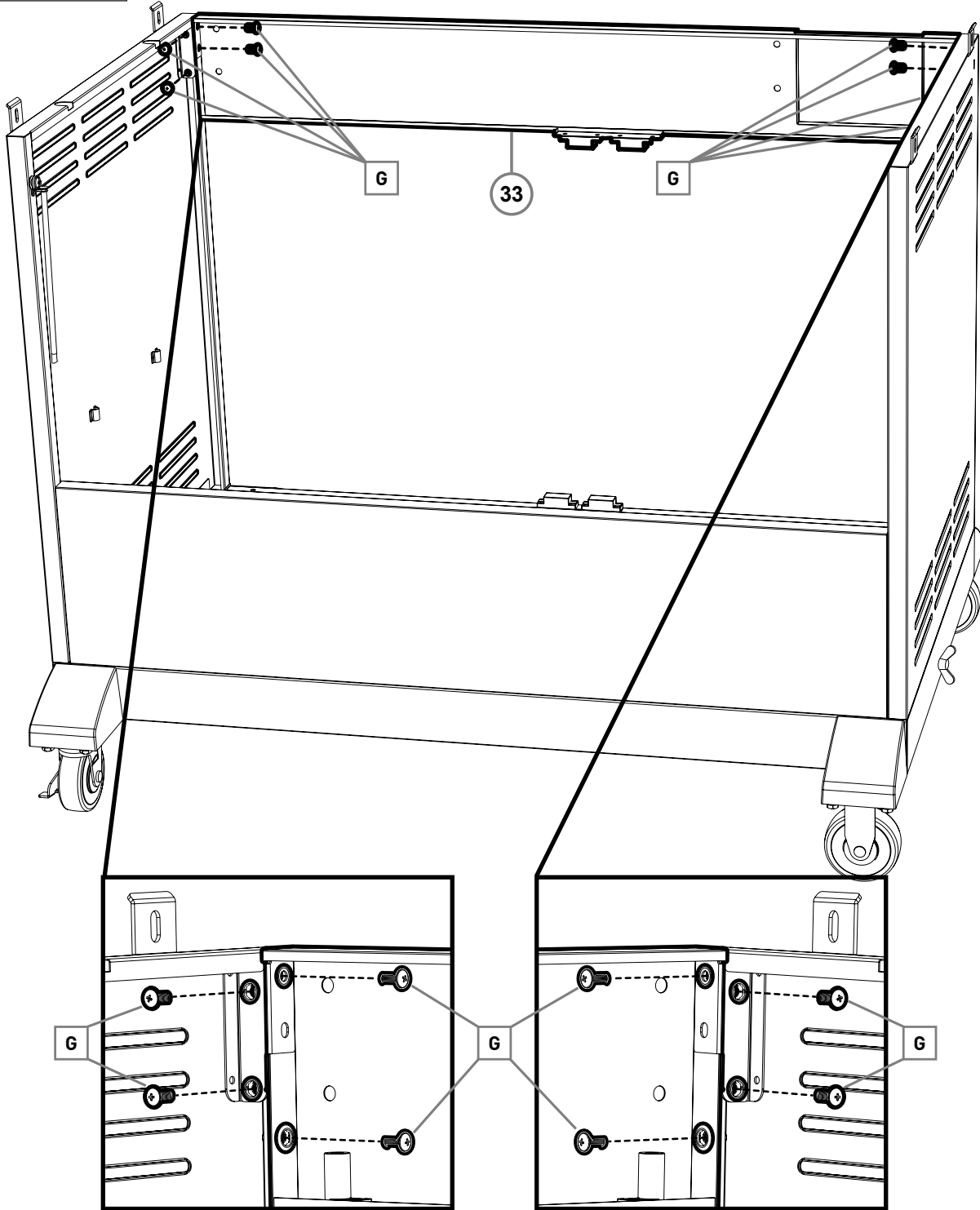


**PASO 3**



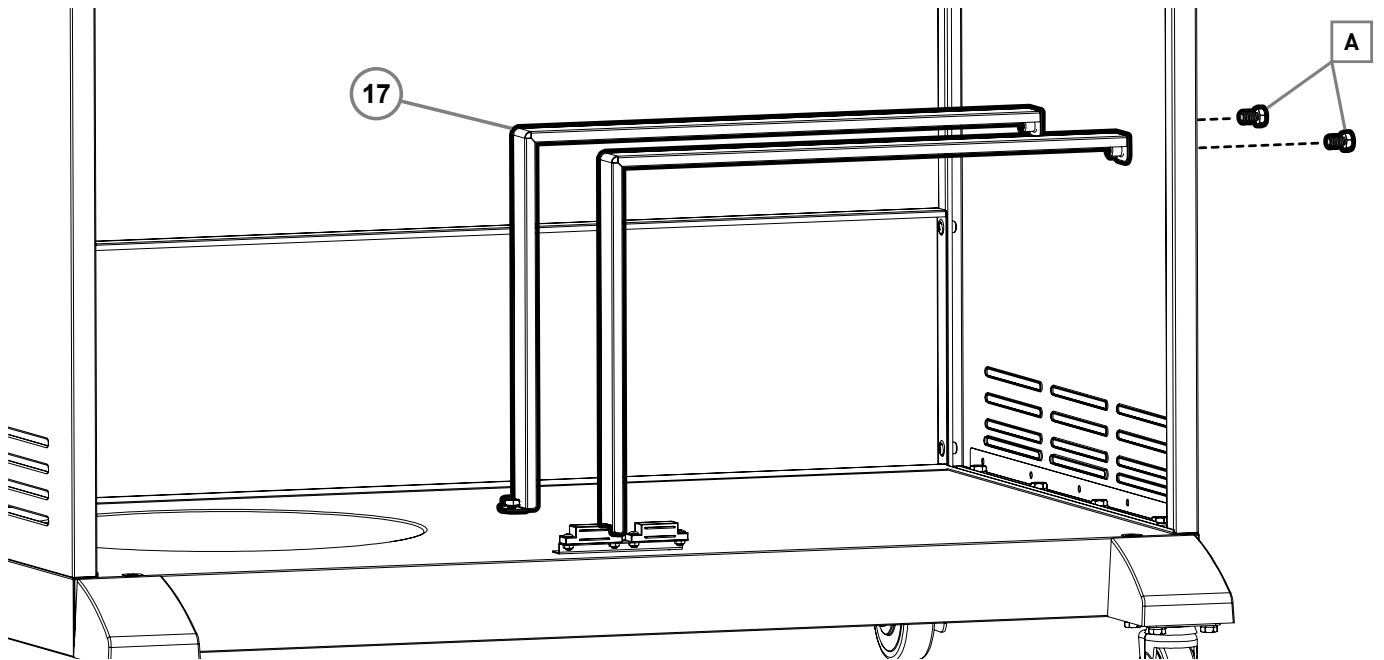
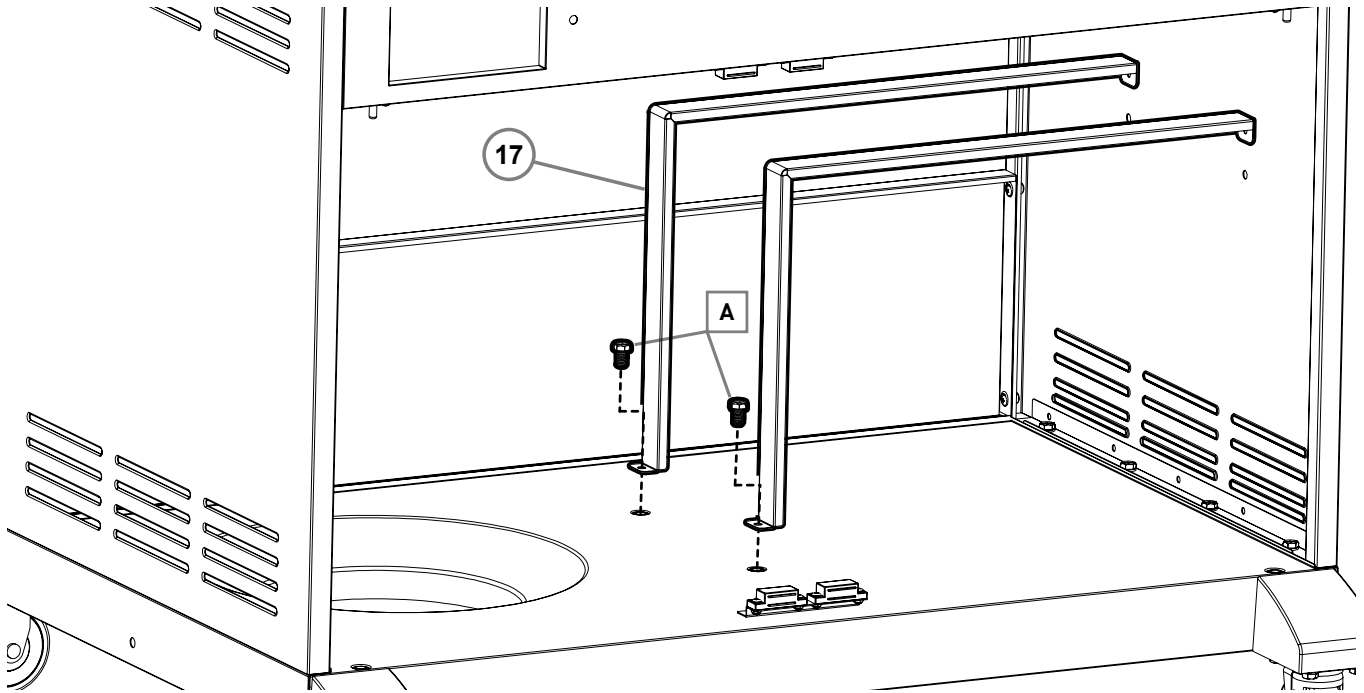
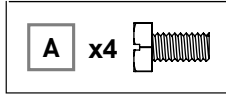
**PASO 4**

G x8 

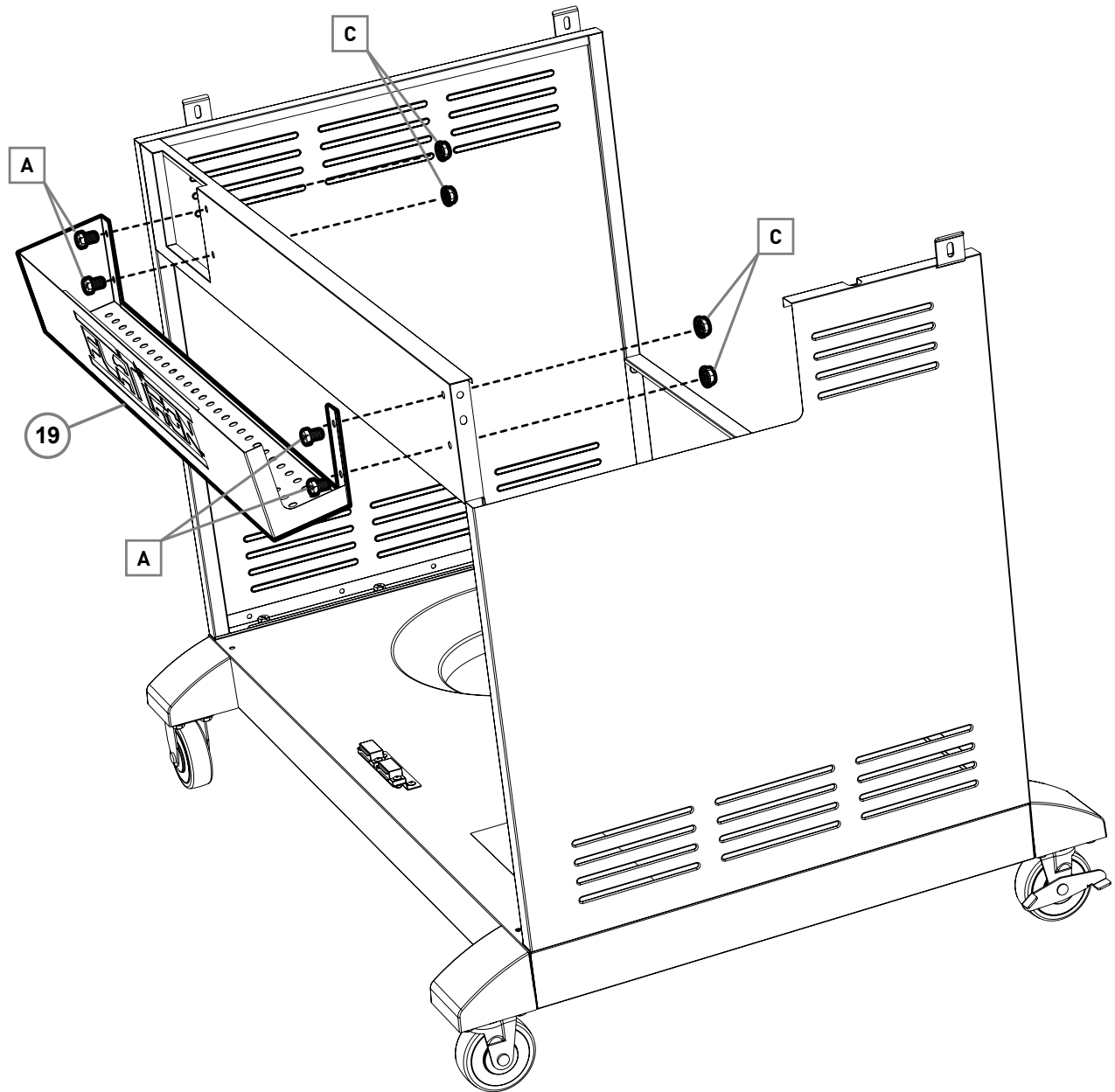
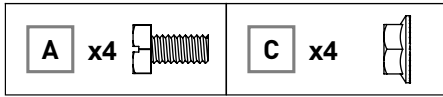




**PASO 5**

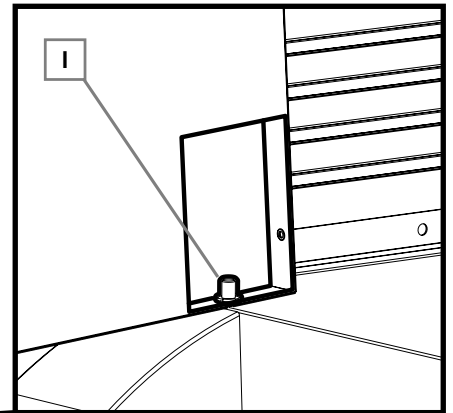
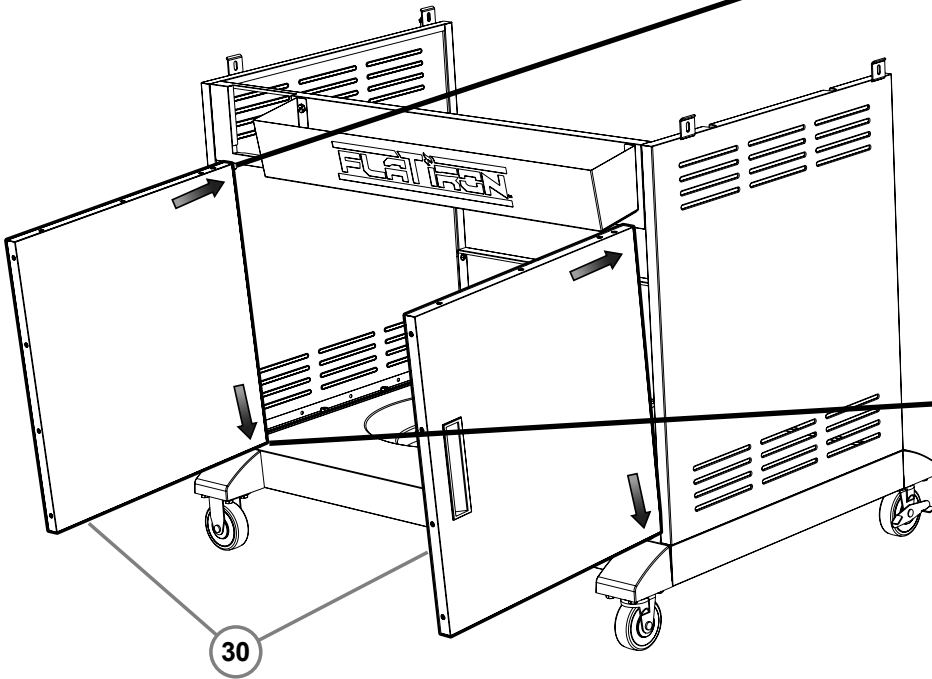
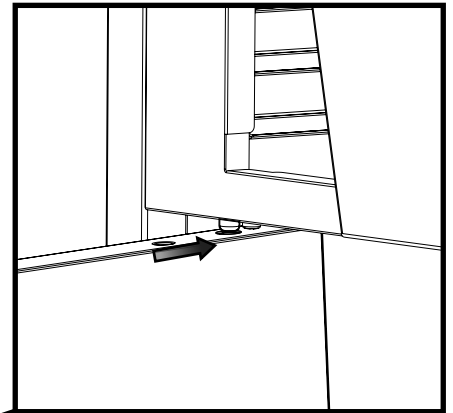
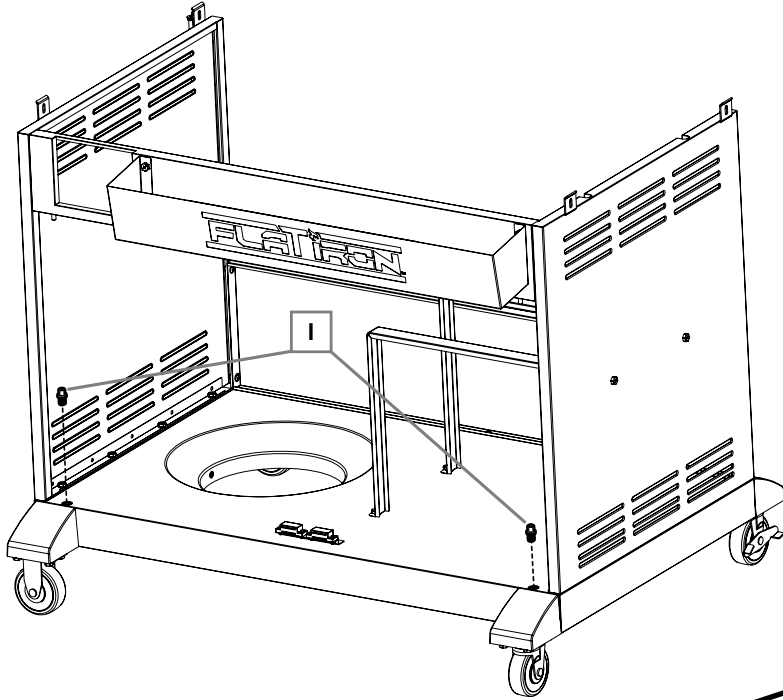
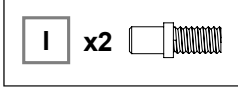


**PASO 6**

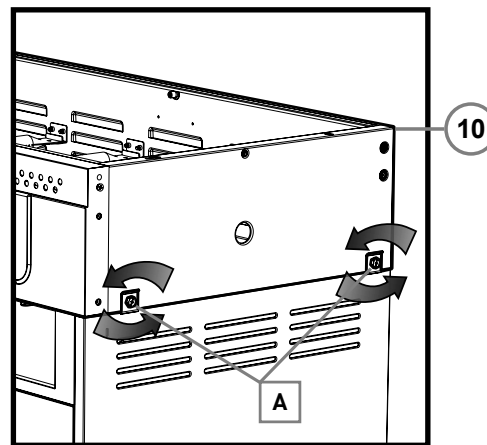
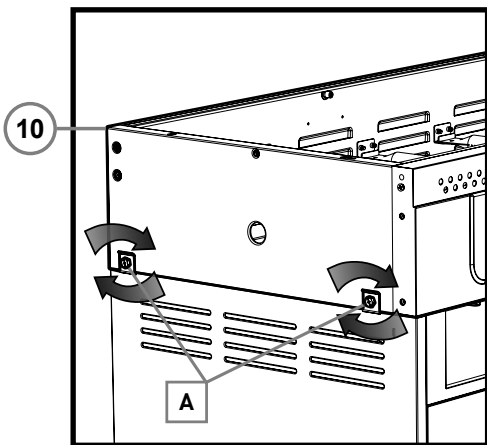
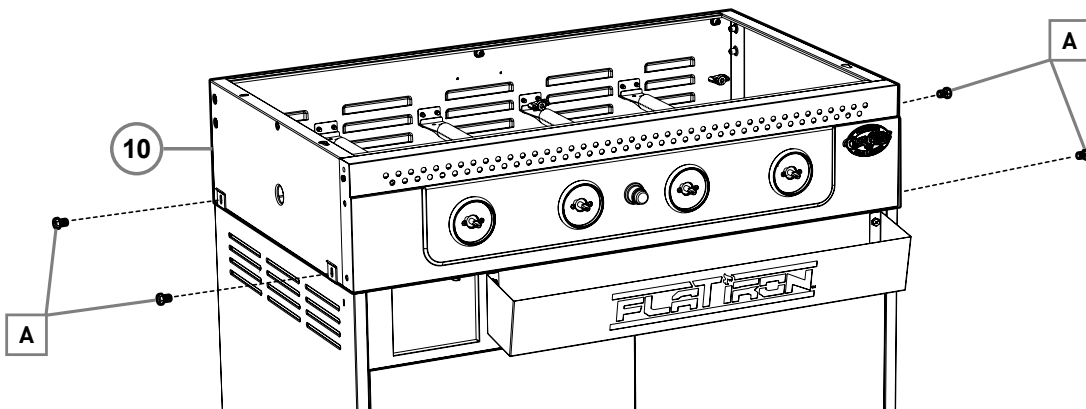
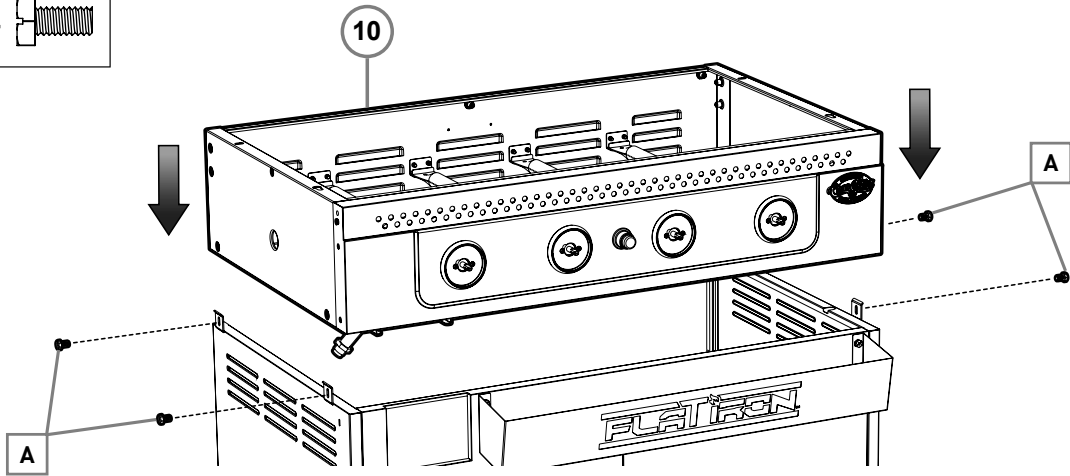
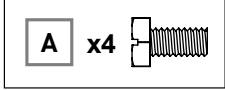




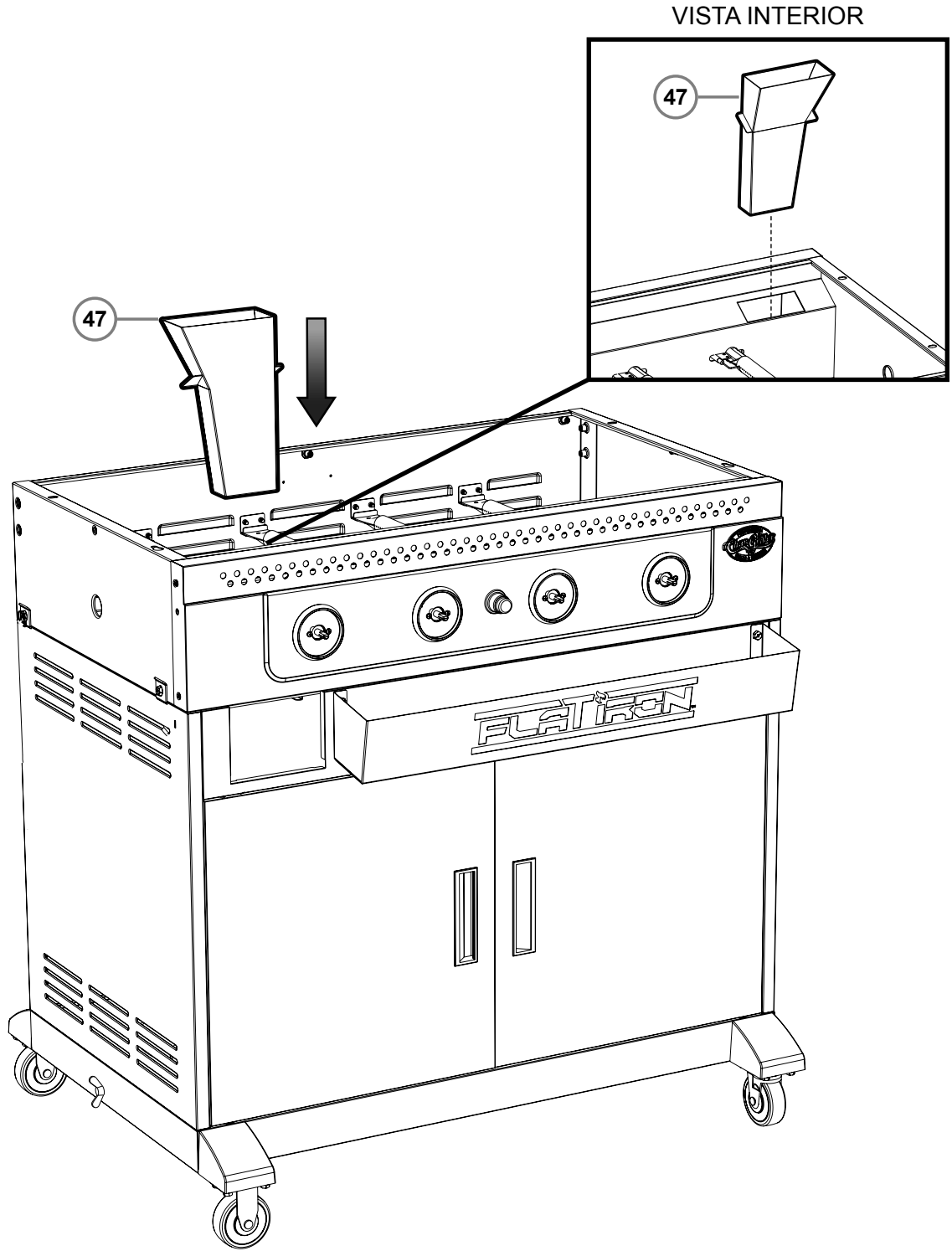
**PASO 7**



**PASO 8**

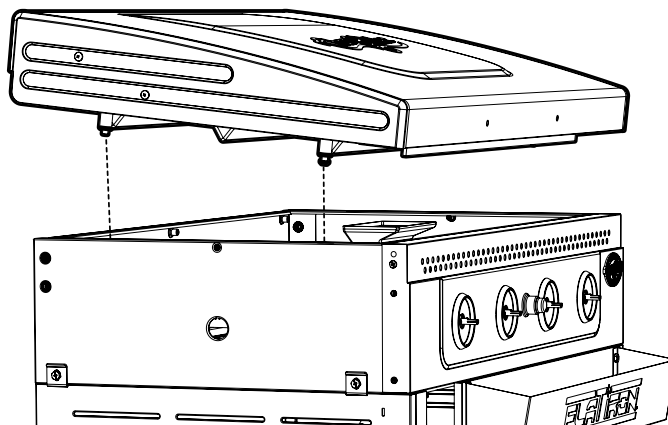


**PASO 9**



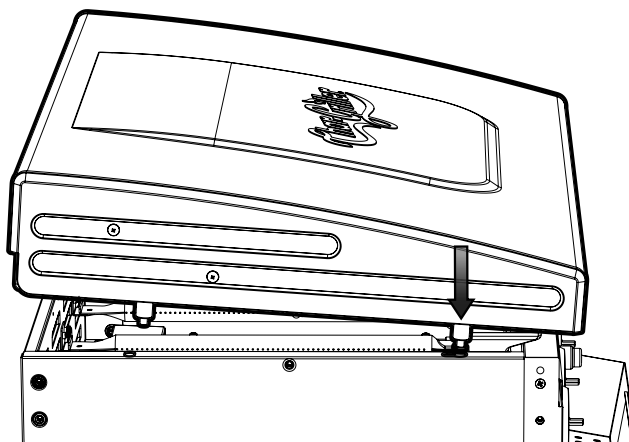
**PASO 10A**

---



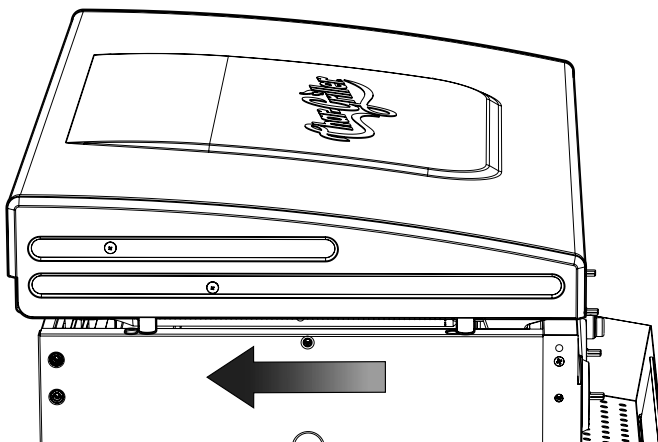
**PASO 10B**

---



**PASO 10C**

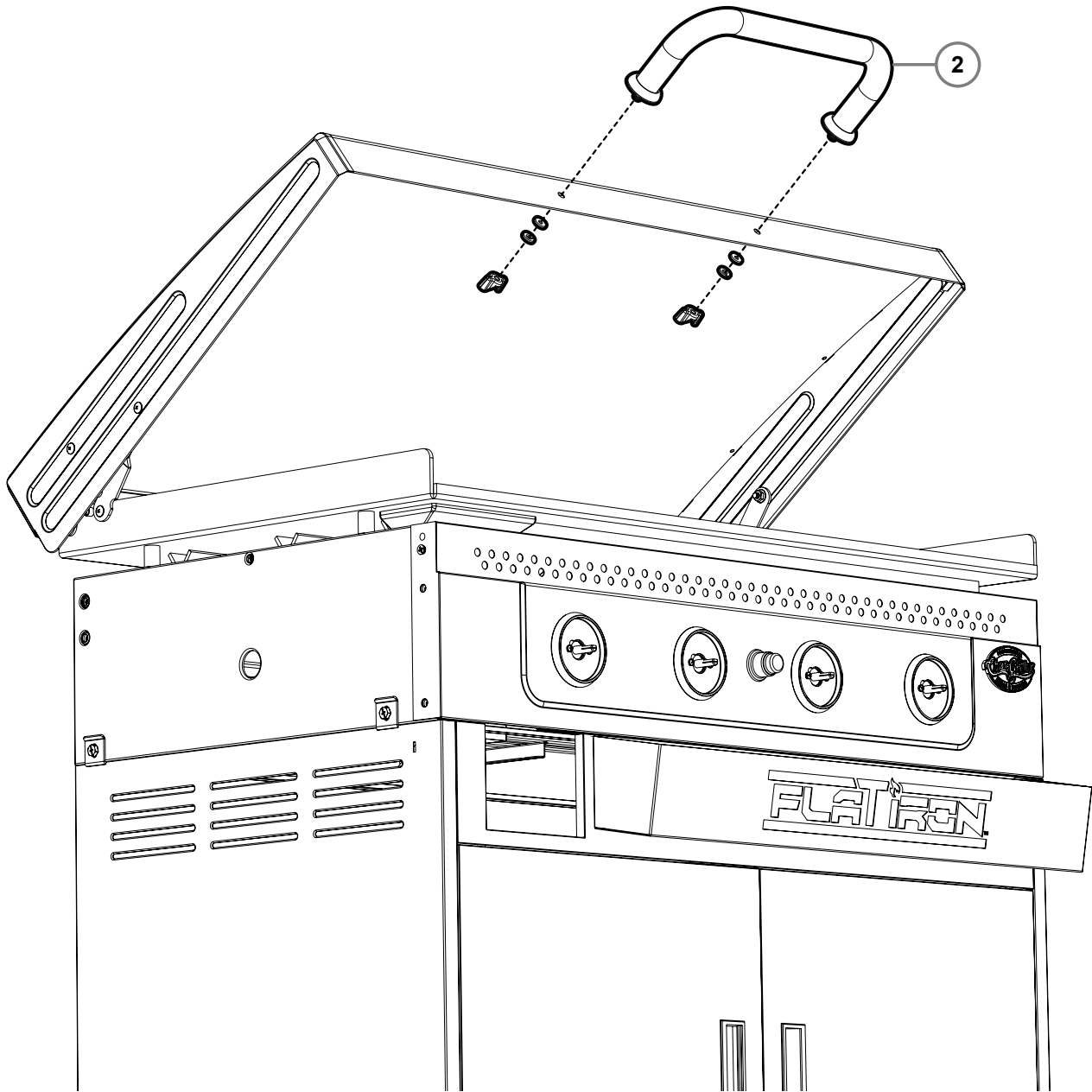
---



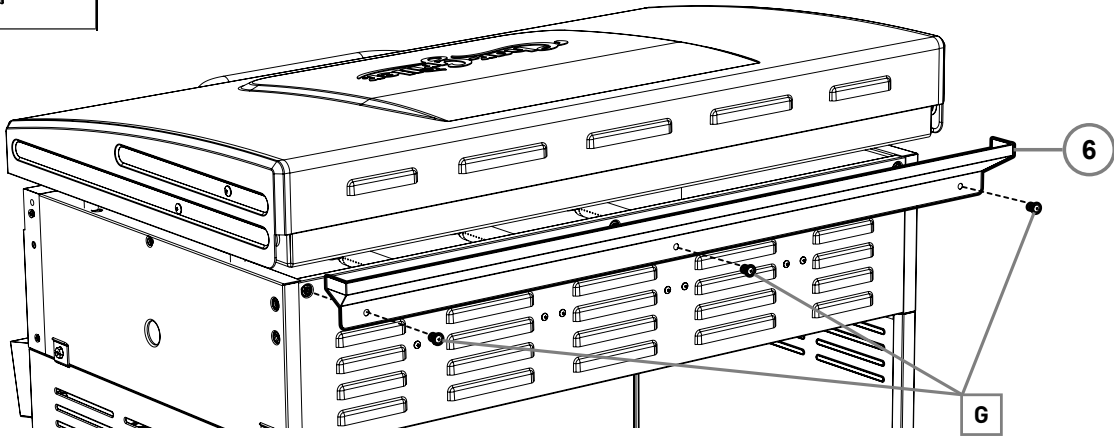
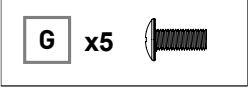


**PASO 11**

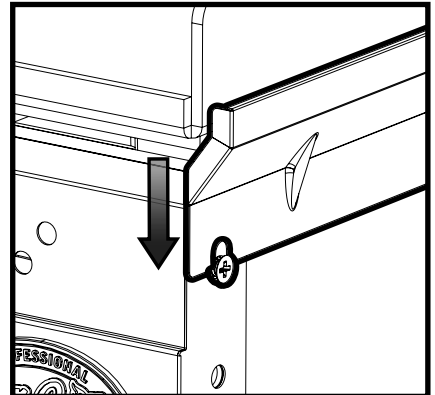
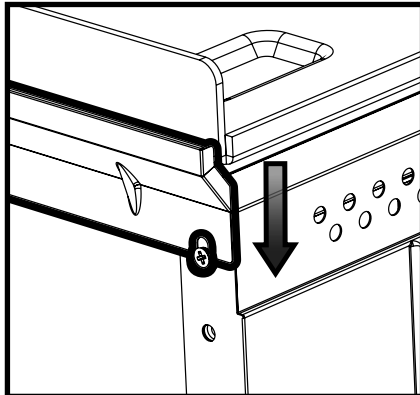
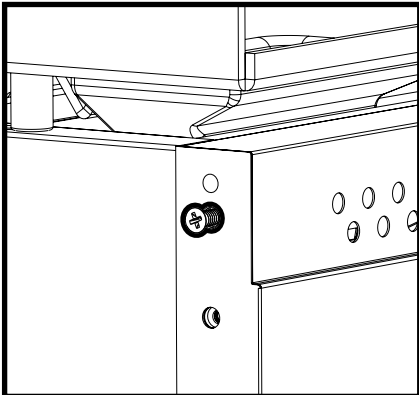
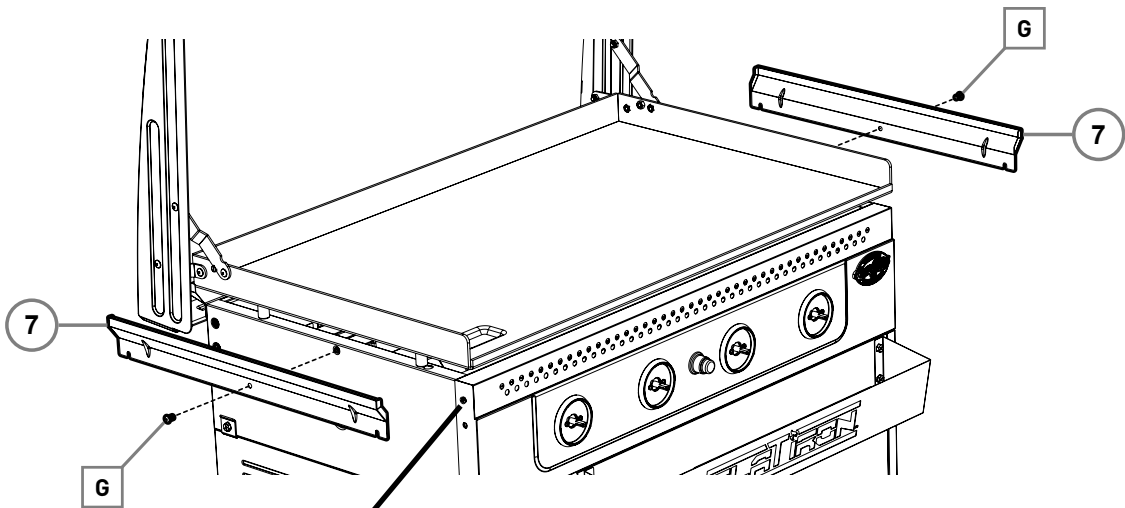
---



**PASO 12A**




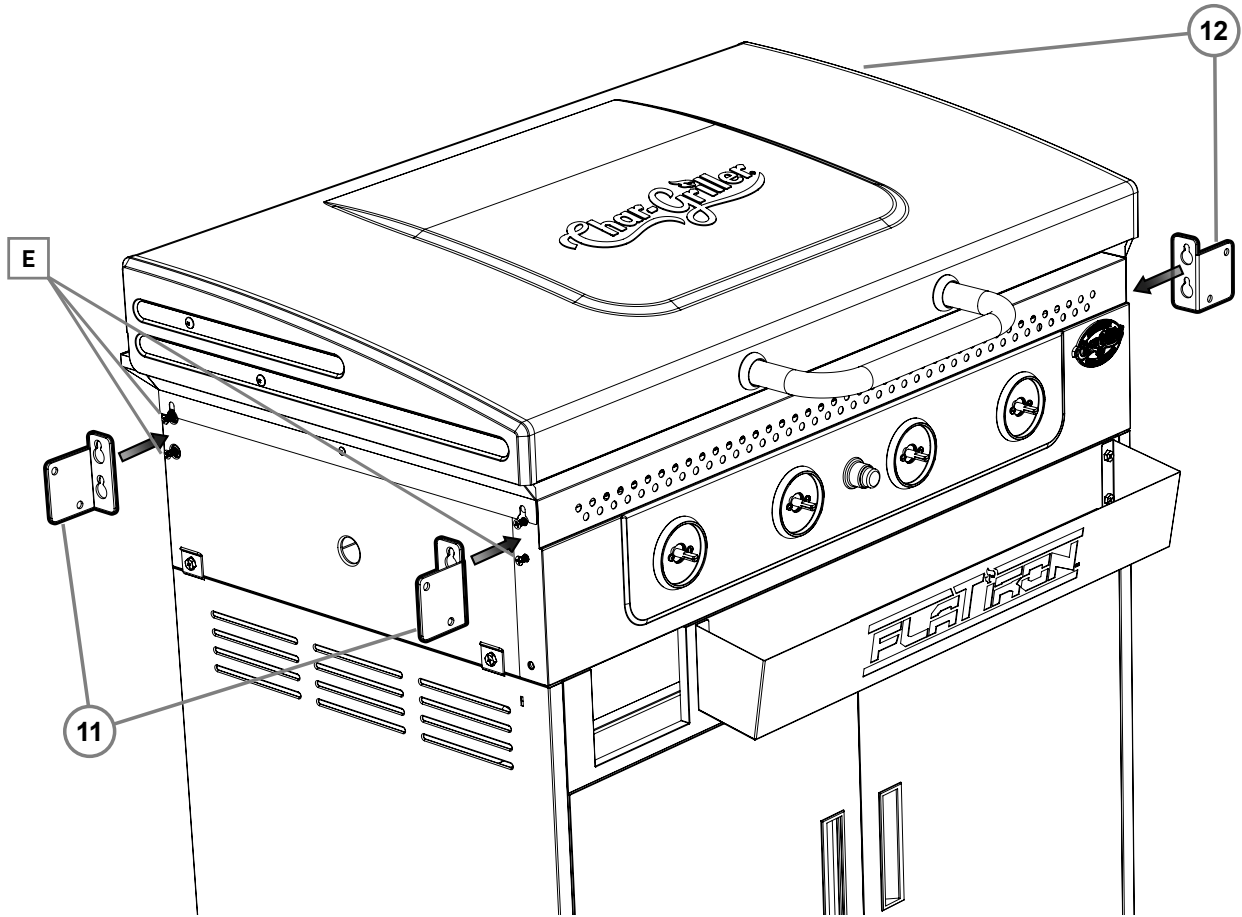
**PASO 12B**





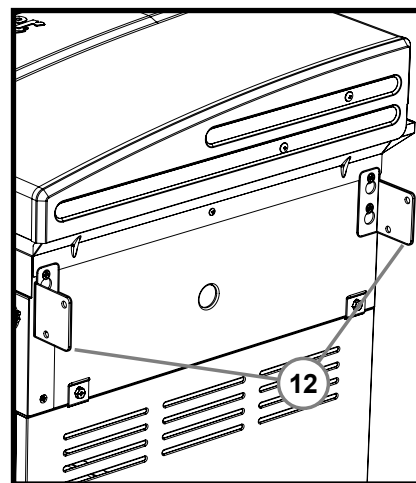
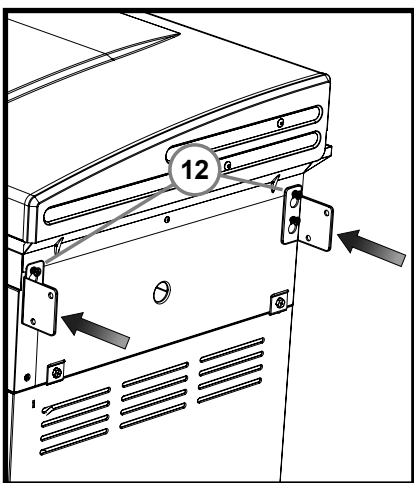
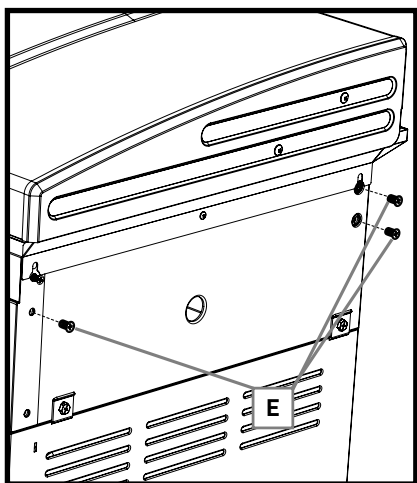
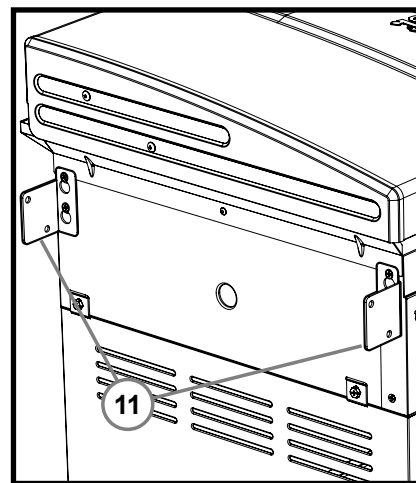
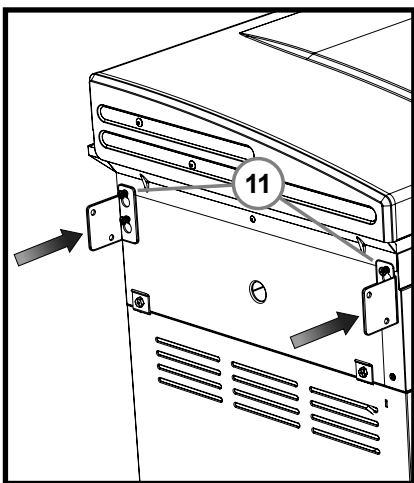
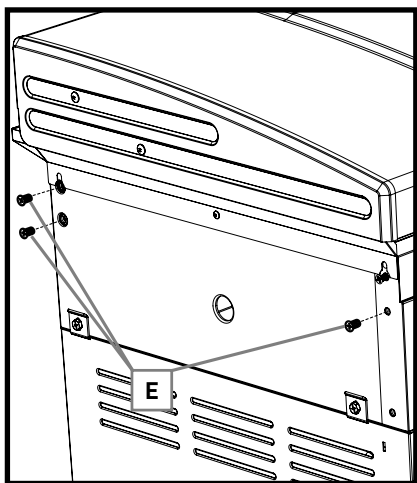
**PASO 13**

**E** x6 

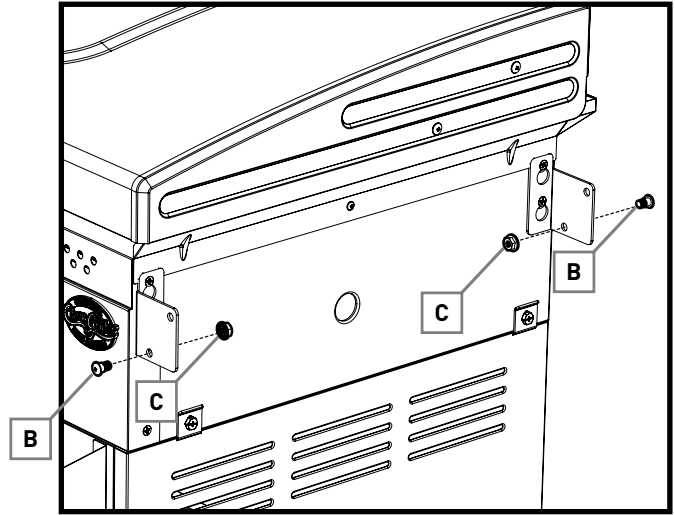
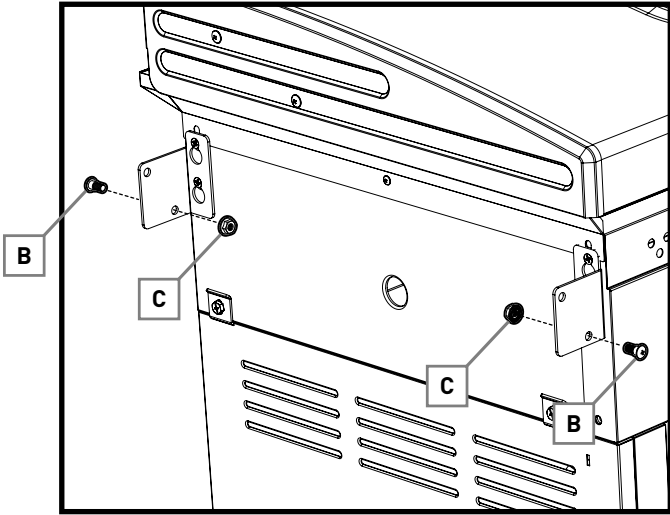
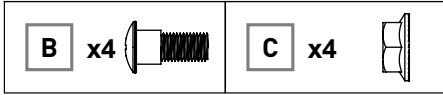


**PASO 13 (Continuada)**

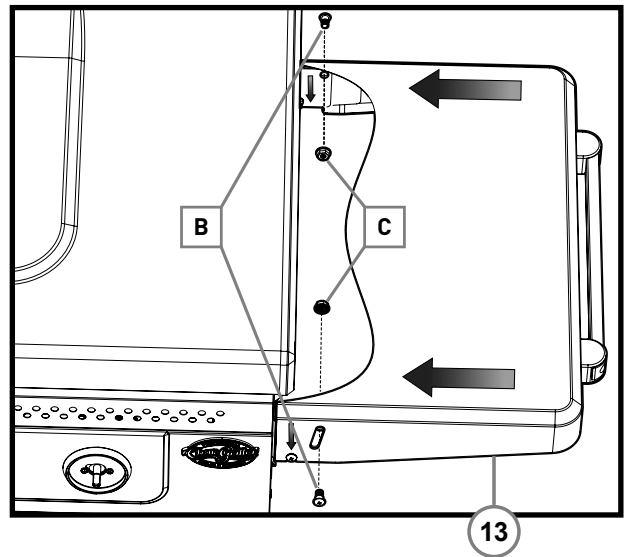
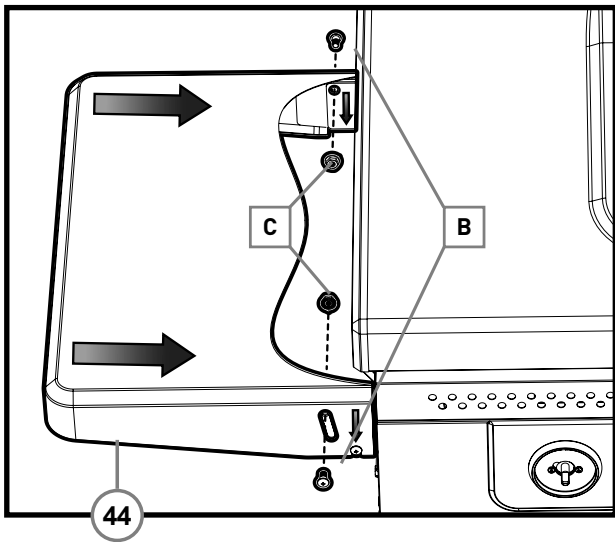
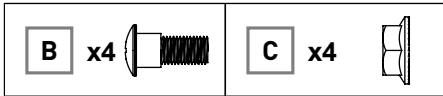
---



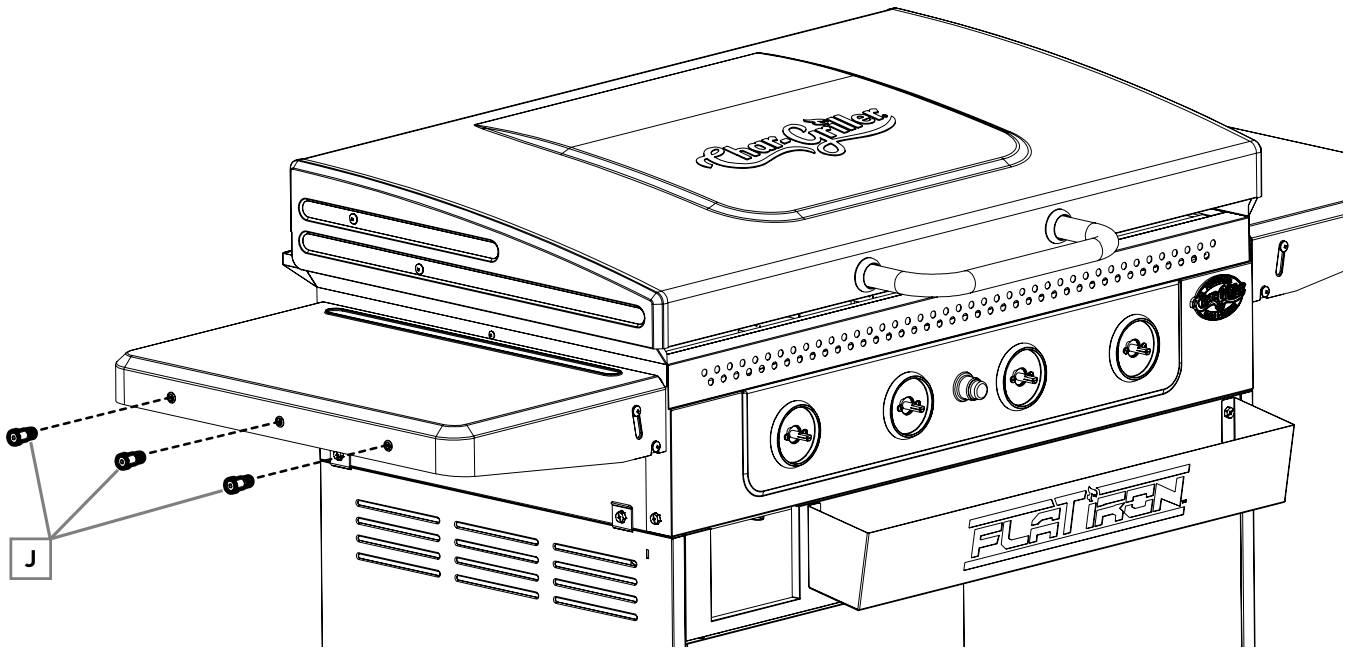
**PASO 14A**



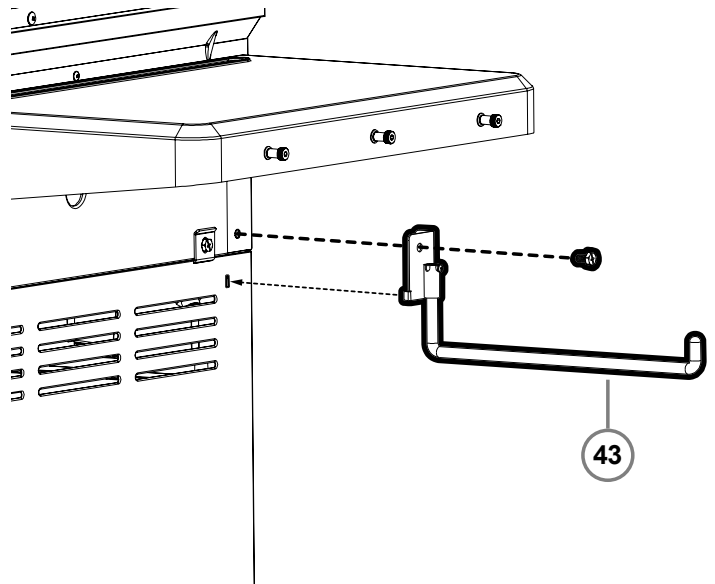
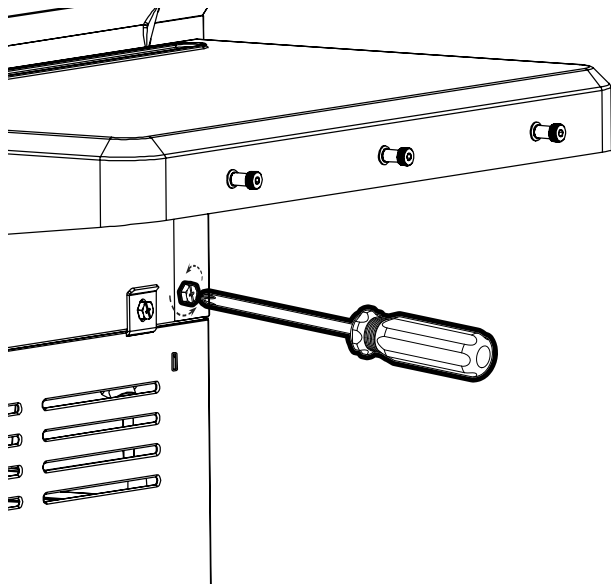
**PASO 14B**



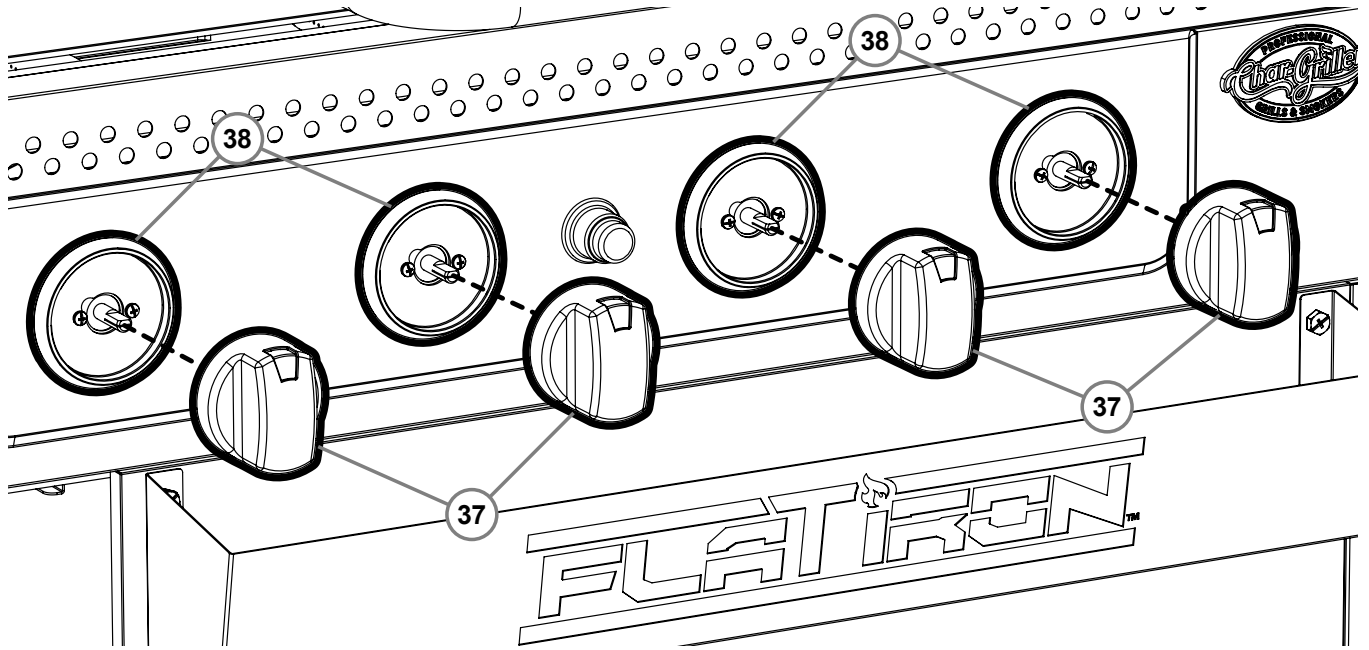
**PASO 14C**



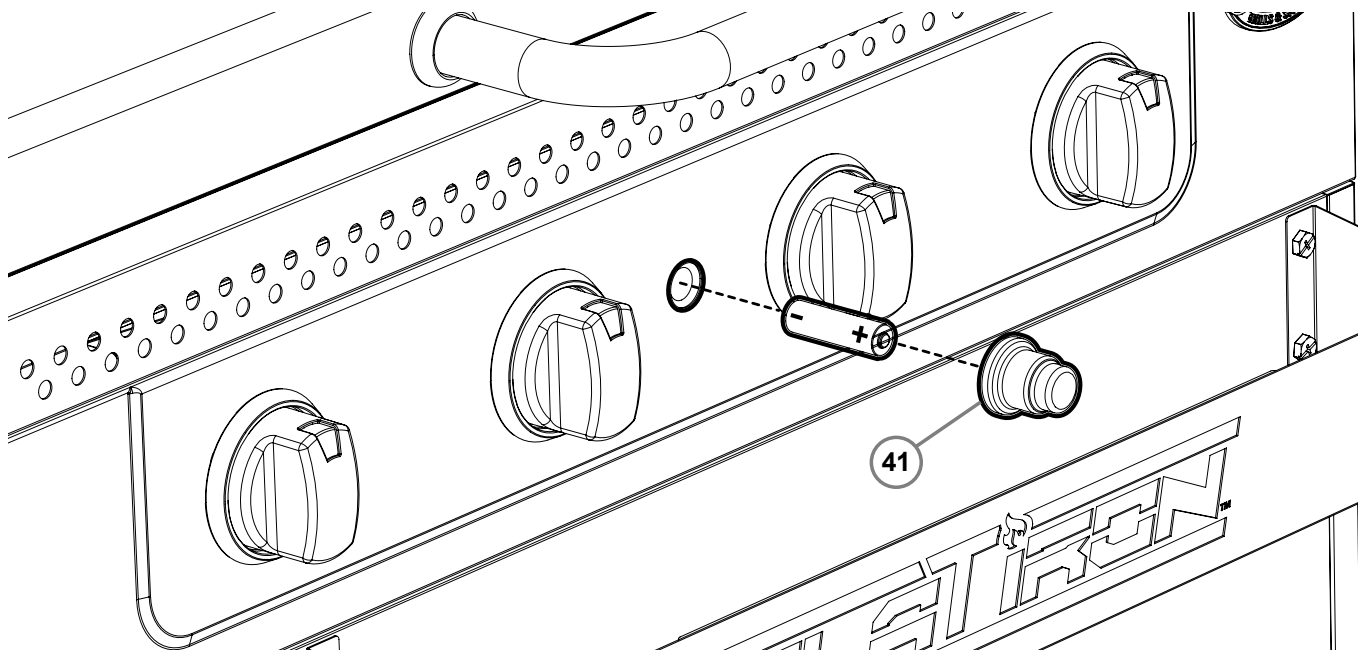
**PASO 15**



**PASO 16A**

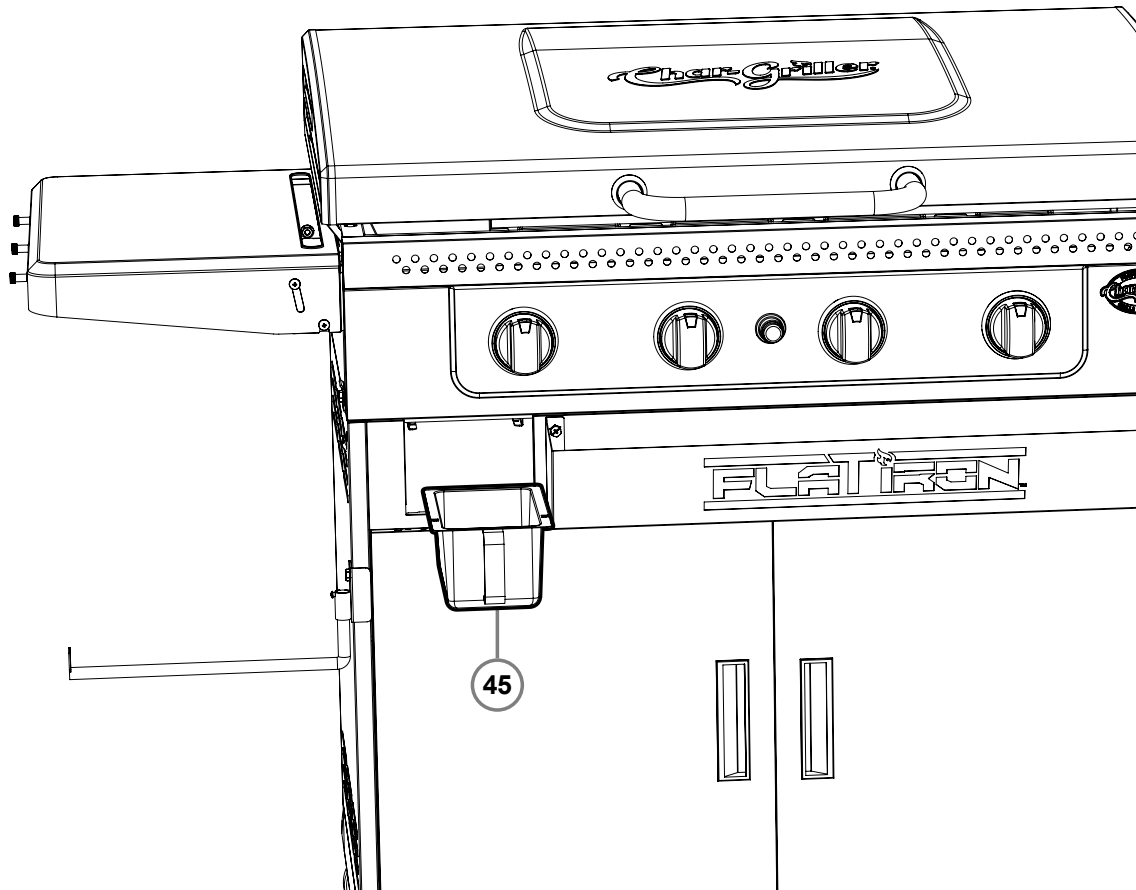
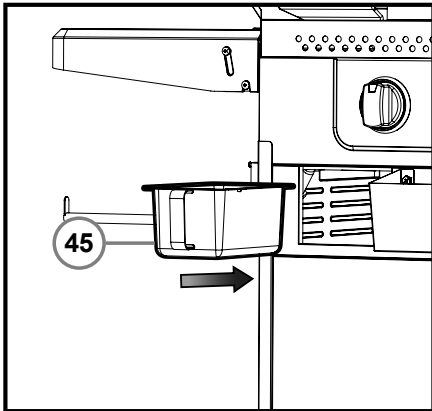


**PASO 16B**



**PASO 17**

---





# TOTALMENTE ENSAMBLADA



**¡APRENDA CÓMO CURAR  
SU NUEVA PARRILLA!**

# **INSTRUCCIONES DE OPERACIÓN**

## **Montaje**

Esta unidad está diseñada para su uso en exteriores, alejada de cualquier material inflamable. Es importante que no haya obstrucciones en la parte superior y que haya una distancia mínima de 12 pies (~4 m) desde el lado o la parte trasera de la unidad. Mantenga un área de 10 pies (3.05 m) libre de objetos que puedan incendiarse o de fuentes de ignición tales como luces piloto de calentadores de agua, electrodomésticos encendidos, etc. Es importante que las aperturas para ventilación de la unidad no sean obstruidas.

La plancha debe ser utilizada en una superficie nivelada y estable. La unidad debe estar protegida de corrientes de aire directas y posicionada o protegida contra la penetración directa de cualquier goteo de agua (por ejemplo, la lluvia). No mueva la plancha mientras está caliente, y no la deje desatendida durante su operación.

Proteja el cilindro de gas de la luz del sol directa y manténgalo alejado de fuentes de calor a un máximo de 122°F (50° C). No mueva la plancha mientras está caliente, y no la deje desatendida durante su operación. Posicione el cilindro de gas de forma tal que la manguera no se doble, tuerza, tensione ni toque ninguna parte caliente de la unidad.

**NUNCA EXCEDA LOS 650° F PORQUE ESTO DAÑARÁ EL ACABADO Y CONTRIBUIRÁ LA OXIDACIÓN. LA PINTURA NO ESTÁ CUBIERTA POR LA GARANTÍA Y REQUERIRÁ DE UN RETOQUE. ESTA UNIDAD NO TIENE GARANTÍA CONTRA EL ÓXIDO**

### **PRECAUCIÓN:**

- 1. Toda limpieza y mantenimiento debe ser realizado cuando la plancha esté fría y el suministro de combustible DESCONECTADO.**
- 2. NO limpie ninguna parte de la plancha en un horno de auto-limpieza ya que el calor extremo dañará el acabado.**
- 3. NO agrande los orificios de las válvulas ni los puertos de los fogones cuando limpie las válvulas o los fogones.**

### **AVISOS:**

- 1. Esta plancha debe ser limpiada, inspeccionada y curada completamente de manera regular.**
- 2. Los limpiadores abrasivos dañarán este producto.**
- 3. NUNCA utilice limpiador de hornos en ninguna parte de esta plancha.**

### **ANTES DE CADA USO:**

- 1. Asegúrese de que el área de la plancha esté limpia y libre de cualquier material combustible como gasolina, fluido de encendedores o cualquier otro líquido o vapor inflamable.**
- 2. NO obstruya el flujo de combustión del gas ni la ventilación de aire.**
- 3. Mantenga las aperturas de ventilación del área del tanque de gas libres de cualquier escombros.**
- 4. Revise visualmente las llamas del fogón para asegurarse de que la plancha funciona correctamente.**
- 5. Vea las instrucciones de abajo para las instrucciones de limpieza y mantenimiento correctas.**
- 6. Revise en busca de obstrucciones del flujo de aire en los fogones. Las arañas, insectos y telas pueden atascar los tubos de los fogones. Un fogón atascado puede causar un incendio.**



# OPERACIÓN DEL GAS

## Regulador y Manguera

El regulador y la manguera están provistos con la unidad. Si se necesita de un reemplazo, por favor visite [chargriller.com](http://chargriller.com) o llame a nuestro departamento de servicio al cliente al 1-912-638-4724. NO utilice partes de reemplazo que no estén pensadas para esta parrilla. La expectativa de vida del regulador está estimada en 10 años. Se recomienda que el regulador sea cambiado dentro de 10 años desde la fecha de fabricación.

El uso del regulador o manguera inadecuado no es seguro; siempre revise que tiene los artículos correctos antes de operar la unidad.

La manguera utilizada debe cumplir con los estándares relevantes del país de uso. Una manguera desgastada o dañada debe reemplazarse. Asegúrese de que la manguera no esté obstruida, doblada, o en contacto con alguna parte de la parrilla distinta al punto de conexión.

## Cómo Conectar la Manguera a la Unidad

Antes de la conexión, asegúrese de que no haya escombros atrapados en la cabeza del cilindro de gas, del regulador, de los fogones ni de los puertos de los fogones. Las arañas y los insectos pueden anidar dentro del tubo venturi/fogón en el orificio. Un fogón atascado puede causar un incendio debajo de la unidad.

Limpie los agujeros de los fogones con un limpia tuberías industrial.

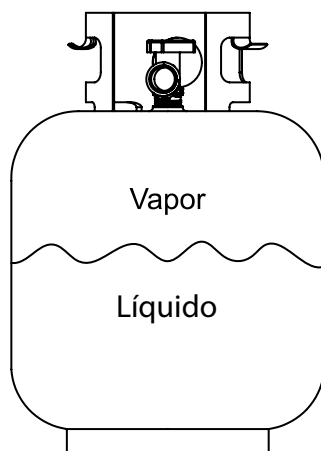
Si se reemplaza la manguera, esta debe ser asegurada a la unidad y a las conexiones del regulador con abrazaderas. Desconecte el regulador del cilindro (de acuerdo con las instrucciones provistas con el regulador) cuando la unidad no esté en uso.

La unidad debe ser utilizada en un área bien ventilada. No obstruya el flujo de aire para la combustión al fogón cuando esté en uso. UTILICE ESTA UNIDAD ÚNICAMENTE EN EXTERIORES.

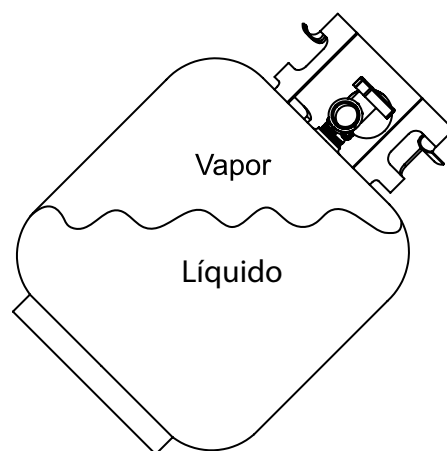
## Orientación Correcta de la Garrafa de Gas

Coloque la garrafa de propano líquido de la forma correcta para permitir la extracción del vapor.

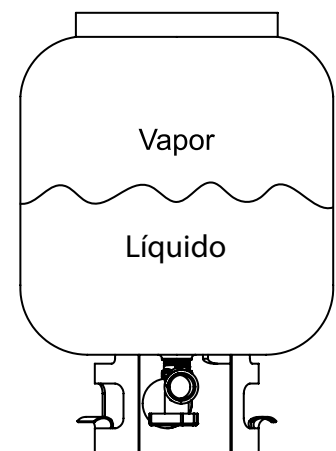
NOTA: La garrafa debe estar en una posición completamente vertical con la válvula del lado de arriba para permitir la correcta extracción del vapor. Consulte la figura para comprobar la orientación correcta.



CORRECTO



INCORRECTO

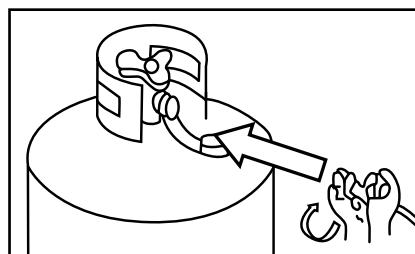
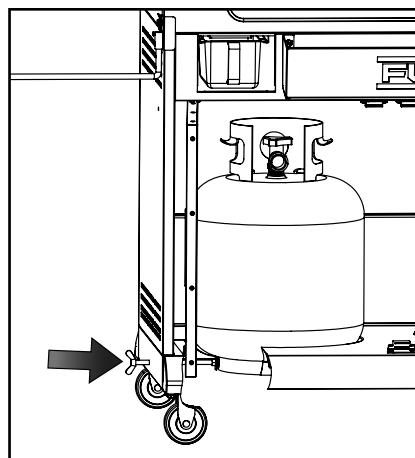


INCORRECTO

# Cómo Conectar el Cilindro de Gas en la Parrilla

Esta unidad solo es apta para su uso con gas propano a baja presión dotados con el regulador de baja presión apropiado mediante una manguera flexible. La manguera debe estar asegurada al regulador y la unidad con abrazaderas.

1. Asegúrese de que todas las perillas de control estén en la posición de APAGADO y verifique que la válvula del cilindro de gas esté cerrada girando la perilla de la válvula del cilindro de gas en el sentido de las agujas del reloj hasta que se detenga.
2. Retire la tapa protectora de la boquilla de la válvula del cilindro de gas.
3. Coloque el tanque de LP en posición vertical dentro del orificio del tanque en el estante inferior.
4. Asegúrese de que la boquilla del cilindro esté orientada hacia usted.
5. Asegure el tanque de LP apretando el perno de mariposa del lado del carro, girando en el sentido de las agujas del reloj.
6. Sostenga el regulador en línea recta con la boquilla de la válvula del cilindro de gas para que la conexión no se cruce.
7. Realice una prueba de fugas. (Ver la sección Prueba de Fugas de este manual).



## **\*\* ANTES DE USAR, REVISE SI HAY FUGAS \*\***

**Nunca revise si hay fugas únicamente con la vista. Utilice siempre una solución de agua enjabonada.**

**NOTA:** Antes de encender la parrilla, revise si hay fugas. Asegúrese de que la válvula del regulador esté ajustada seguramente al fogón y al cilindro para prevenir el riesgo de explosión o incendio cuando revise si hay fugas.

Realice siempre la “prueba de fugas” según se describe abajo antes de encender la parrilla, o cada vez que el cilindro se conecte para su uso.

- No fume ni permita que haya otras fuentes de ignición en el área mientras realiza una prueba de fugas.
- Realice la prueba de fugas en exteriores, en un área bien ventilada.
- No utilice cerillos, encendedores o llamas para revisar si hay fugas.
- No utilice la parrilla hasta que se hayan corregido todas las fugas. Si no puede detener una fuga, desconecte el suministro de propano. Llame a un técnico de servicio de gas o a su proveedor local de gas propano.

## **Prueba de Fugas**

1. En un atomizador mezcle una solución entre 6 y 9 ml, 1 parte de jabón para vajillas, 3 partes de agua.
2. Asegúrese de que las perillas de control de las válvulas/fogones estén en posición de apagado y que el regulador esté conectado de manera segura.
3. Abra la válvula del cilindro de gas completamente girando la rueda contra las agujas del reloj.
4. Aplique la solución en la manera, la válvula de gas, el regulador y el cilindro.



5. Si se forman burbujas en cualquiera de los componentes probados, hay una fuga en el componente. Que no haya burbujas quiere decir que no hay fugas.
6. Si ha identificado una fuga, por favor vuelva a realizar la prueba con los pasos 2 al 5. Si la fuga persiste, llame al servicio al cliente, 1-912-638-4724 o consulte su manual de propietario sobre cómo reemplazar o reparar los componentes de la parrilla.

## Instrucciones de Encendido

Su parrilla de Char-Griller® está equipada con dos zonas de calor individuales, todas controladas por su propio fogón a gas. Esto le da una flexibilidad óptima para cocinar múltiples tipos de alimentos en una sola superficie.

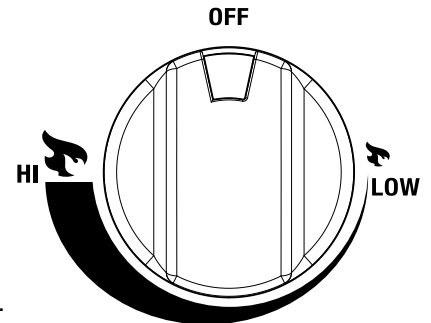
Cuando la encienda, mantenga su rostro y cuerpo tan alejados de los fogones como sea posible y nunca se incline sobre la superficie de la parrilla. Si la parrilla no se enciende entre 3 y 5 segundos, apáguela y espere 5 minutos para que el gas se disipe antes de intentar volver a encenderla. El no hacerlo puede resultar en una conflagración explosiva, que puede causar serias lesiones corporales o la muerte. Una vez esté encendida, pero antes de cocinar en la parrilla por primera vez, deje que la parrilla se aclimate durante 15 minutos. Este calor limpia las partes internas de la parrilla de cualquier cosa con la que pueda haber tenido contacto durante la fabricación y el envío.

**NOTA:** Antes del primer uso, es importante que cure su parrilla para asegurar el desempeño óptimo y una vida larga para su parrilla de Char-Griller® (ver las direcciones de curado/mantenimiento provistas en este manual).

## Fogones Principales

Lea todas las instrucciones y advertencias antes de encenderla.

1. Asegúrese de que no haya obstrucciones al flujo del aire hacia la unidad de gas. Las arañas y los insectos pueden anidar dentro del tubo del fogón y atascarlo. Un tubo atascado puede causar incendios debajo de la unidad.
2. Para encender un fogón, presione la perilla de control del fogón para iniciar el flujo de gas.
3. Gire la perilla de control contra las agujas del reloj para activar el piloto. Si el fogón no se enciende dentro de 5 segundos, APAGUE el fogón, espere 5 minutos a que el gas se disipe y repita el procedimiento.
4. Ajuste la temperatura al nivel deseado.



Tras encenderlos, observe las llamas de los fogones y asegúrese que todos los puertos del fogón estén encendidos.

**NOTA DE PRE-CALENTADO:** NUNCA PRE-CALIENTE SU PLANCHA A FUEGO ALTO, YA QUE PUEDE CAUSAR DAÑO A LA SUPERFICIE DE LA plancha, Y NUNCA DEJE SU PLANCHA DESATENDIDA.

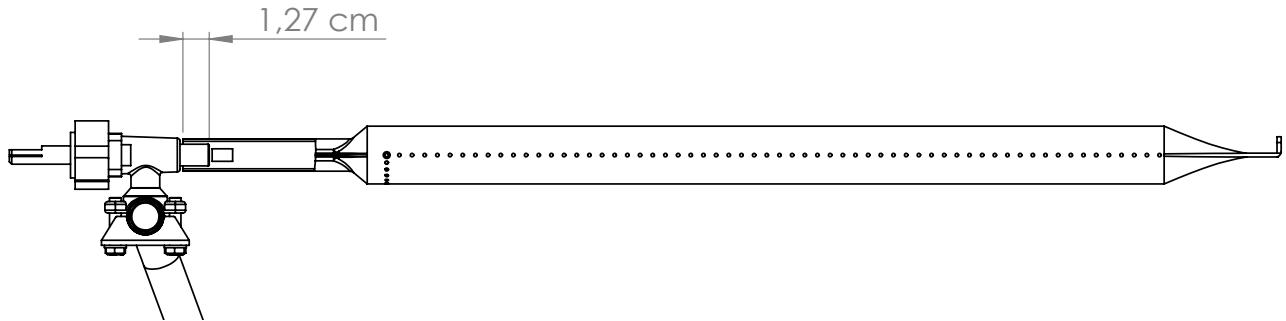
Un pre-calentado apropiado asegurará el mejor desempeño de cocción para su plancha. Siempre pre-caliente su plancha en la función media o media-baja durante 5 minutos, y luego cámbielo a fuego alto o al nivel de temperatura deseado.

Si la llama de un fogón se apaga durante la operación, cierre el paso del gas en el panel de control y en la válvula del cilindro de gas. Deje que el gas se disipe por 5 minutos antes de volver a encenderla. Limpie la plancha luego de cada uso. NO utilice limpiadores abrasivos o inflamables, ya que dañan las partes y pueden causar un incendio.

## Cómo Apagar los Fogones

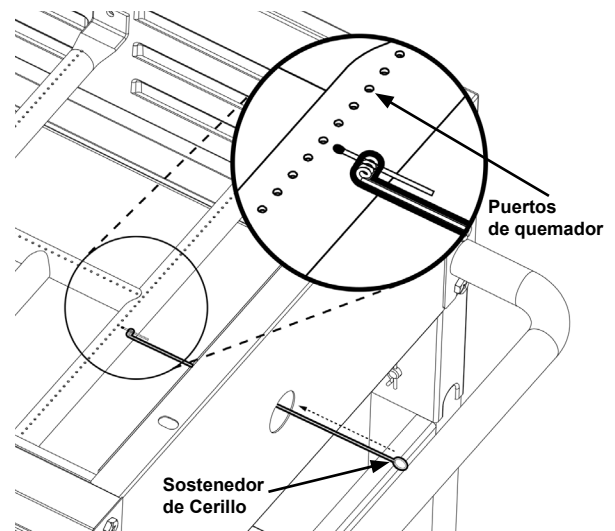
1. Gire las perillas en el sentido de las agujas del reloj a la posición de "HI," luego presiónela y gírela hasta "OFF." Nunca fuerce la perilla sin presionarla, ya que esto puede dañar la válvula y la perilla.
2. Cierre rápidamente la válvula del cilindro de gas.

Al realizar la limpieza y el mantenimiento de los quemadores, asegúrese siempre de que los puertos de los quemadores estén correctamente alineados con las aberturas de las válvulas después de



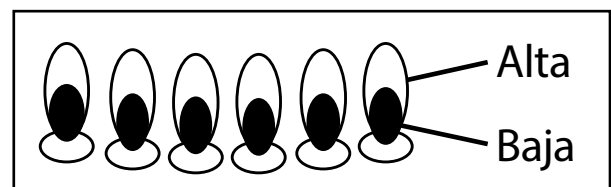
## Cómo Encender un Fogón con un Cerillo

1. Asegúrese de que todas las perillas estén en posición de APAGADO.
2. Abra la válvula en el cilindro de gas.
3. Presione y gire la perilla contra las agujas del reloj a la posición de "HI."
4. Coloque el cerillo en el sostenedor de cerillos instalado al lado de la estructura de la parrilla. Una vez el cerillo esté encendido, ponga la llama en la apertura en el lado izquierdo del cuerpo cerca de los puertos del fogón. El fogón debería encenderse inmediatamente.
5. Ajuste las perillas a las funciones de cocción deseadas.



## Observe la altura de la llama cuando esté encendido

La llama debe tener un color azul y amarillo y debe tener entre 1/2 in. y 3/4 in. (1.2 cm y 1.9 cm) de alto en la función "HI".



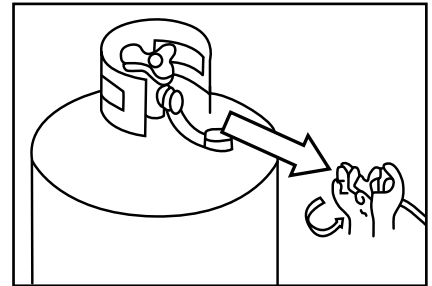


## Manejo de la Temperatura

Maneje el calor ajustando las perilla del fogón desde bajo hasta medio para mantener el calor deseado para las condiciones de la cocción. La condición del clima impactará las fluctuaciones de calor de su plancha. Más calor será necesario en condiciones frías y con viento. Los distintos tipos y cantidades de comida también impactarán el manejo y distribución de la temperatura. Asegúrese de considerar estos elementos cuando cocine para una experiencia óptima con su plancha.

## Cómo Desconectar el Tanque de Gas

1. CIERRE todas las perillas de control y asegúrese de que la plancha esté fría.
2. Desconecte el regulador de la línea del gas desatornillando la boquilla, luego desatornille el tanque del regulador
3. Coloque la tapa protectora sobre el tanque de gas.



## Tanque de Gas

¡El cilindro de gas no debe dejarse caer ni ser manejado con brusquedad! Si la unidad no está en uso, el cilindro debe ser desconectado. Reemplace la tapa protectora del cilindro luego de desconectar el cilindro de la unidad.

Los cilindros deben ser almacenados en exteriores en posición vertical y fuera del alcance de los niños. El cilindro nunca debe ser almacenado donde las temperaturas puedan exceder los 122°F (50° C). No almacene el cilindro cerca de llamas, pilotos de encendido o demás fuentes de ignición. **NO FUME CERCA DEL CILINDRO DE GAS.**

De nuevo, esta unidad está diseñada únicamente para su uso en exteriores y alejada de materiales inflamables. Es importante que no haya obstrucciones sobre esta y que haya una distancia mínima de 36 pulgadas (90cm) desde el costado o la parte trasera de la unidad. Es importante que las aperturas de ventilación de la unidad no sean obstruidas. La parrilla debe ser utilizada sobre una superficie nivelada y estable. La unidad debe estar protegida de las corrientes de aire directas y posicionada o protegida contra la penetración directa de cualquier goteo de agua (por ejemplo, la lluvia).

**Las partes selladas por el fabricante o su agente no deben ser alteradas por el usuario. No deben hacerse modificaciones a ninguna parte de esta unidad, y las reparaciones y el mantenimiento debe ser efectuado únicamente por un ingeniero o técnico de servicio registrado.**

# CUIDADO Y CURADO DE LA PLANCHA

Siga estos sencillos pasos de cuidado y curado para un desempeño óptimo y una larga vida de su plancha de Char-Griller®. La superficie de la plancha debe ser limpiada y curada regularmente, preferiblemente antes y después de cada uso. Este mantenimiento regular mejorará su experiencia de cocina, así como ayudará a extender la longevidad de su plancha. Le recomendamos enfáticamente que la unidad sea cubierta cuando se deje en exteriores durante cualquier periodo, especialmente durante los meses de invierno.

Los productos de Char-Griller® son empacados con una capa fina de aceite vegetal para protegerlos contra el óxido y el daño en el envío. Esta capa puede dejar un poco de decoloración en su plancha. Esto es normal y se equilibrará durante el proceso de curado.

## ¿Qué es el Curado?

El curado es el proceso de tratar una superficie de cocción metálica con un revestimiento antiadherente preparado con grasa o aceite que se enlace a la superficie con una temperatura alta. Este paso es esencial para preparar los utensilios culinarios de acero crudo o hierro fundido para su uso. Hay dos razones principales para el curado.

- Cubrir los utensilios para prevenir el óxido.
- Crear una superficie de cocción natural y permanentemente antiadherente.

El curado es un paso sencillo, pero muy importante, al usar y mantener su plancha de Char-Griller®. Su plancha puede y debe ser curada repetidamente para restaurar constantemente la superficie de cocción y para mejorar continuamente su desempeño al cocinar con el tiempo.

*Recuerde: El curado es un proceso continuo que toma tiempo y un uso reiterado antes de que una plancha o sartén desarrolle una superficie brillante y negra, como la de los utensilios de cocina de hierro fundido de la abuela. Cuanto más frecuentemente cocine y cure su plancha, más antiadherente se volverá la superficie.*

## Instrucciones de Curado

1. Asegúrese de que la superficie de la plancha esté limpia y completamente seca
2. Encienda los fogones a gas y permita que la superficie de la plancha se caliente (MEDIO-ALTO).
3. Luego de calentar la plancha, aplique una capa generosa y pareja de aceite de cocina (vegetal, de oliva, de linaza, etc.) a la superficie de la plancha.
4. Utilice una toalla de papel y pinzas para esparcir parejamente el aceite en y cubra con una capa fina toda la superficie de cocción de la plancha.
5. Cuando la superficie cubierta empiece a humear levemente, apague los fogones y permita que la plancha se enfríe naturalmente.
6. ¡Su plancha ahora está lista para su uso!

Para obtener resultados óptimos, cure la superficie de su plancha luego de cada uso por los primeros 10 a 12 usos.



**¡APRENDA CÓMO  
CURAR SU NUEVA  
PARRILLA!**



## Cómo Limpiar la Plancha

### ANTES DEL PRIMER USO:

Las planchas de Char-Griller® son cubiertas con aceite vegetal para prevenir el óxido y el daño durante el envío. Antes del primer uso, lave la superficie de la plancha con agua enjabonada y caliente. **ESTA ES LA ÚNICA VEZ QUE DEBE UTILIZAR JABÓN O DETERGENTE EN LA PLANCHA.** Enjuáguela y séquela completamente con toallas de papel. Proceda con las instrucciones de curado.

### LUEGO DE CADA USO:

Para limpiar la plancha luego de cada uso, raspe suavemente cualquier residuo de alimentos o sedimento con una espátula y limpie la superficie de la plancha con una toalla de papel. Si es necesario, vierta agua caliente sobre la superficie de la plancha y deje que hierva para eliminar los residuos duros. Límpiela de nuevo con una toalla de papel y séquela completamente. También puede utilizar ¼ de taza de sal de mesa para ayudar a eliminar la comida que se haya pegado.

Para un desempeño óptimo, cubra la plancha mientras sigue caliente con una fina capa de aceite vegetal luego de cocinar cada vez para ayudar a mantener curada la superficie.

## Limpieza General de la Plancha

- No confunda los sedimentos marrones o negros de grasa y humo con pintura.
- NO aplique limpiadores cáusticos para planchas/hornos a las superficies pintadas.
- Para limpiar las partes plásticas: Lávelas con agua enjabonada tibia y séquelas con una toalla. No utilice Citrisol, limpiadores abrasivos, desengrasantes ni limpiadores para hornos concentrados en las partes plásticas. Puede resultar en el daño y en la falla de las partes.
- Para limpiar las superficies pintadas: Lávelas con un detergente suave o un limpiador no abrasivo y agua enjabonada tibia. Séquelas con un paño suave y no abrasivo.
- Si se desarrolla óxido o descamación en la superficie de cocción, elimínelo frotando con una estopa de acero, un cepillo de acero o con papel de lija de alto grado y vuelva a curar la superficie.

Los depósitos para grasa incluidos pueden requerir del uso de un cojín limpiador de plástico abrasivo. Utilícelo únicamente en la dirección de las marcas del acabado para evitar daños. No utilice un cojín abrasivo en las áreas con gráficos.

## Almacenamiento de la Unidad

Asegúrese de que la superficie de la plancha esté completamente seca antes de guardarla. Cuando la unidad no esté en uso, debe estar cubierta y guardada en un ambiente seco y libre de polvo. El almacenamiento de la unidad en interiores solo es permisible si el cilindro está desconectado y ha sido retirado de la unidad. Para maximizar la vida de la plancha, utilice una funda a medida de Char-Griller® (Modelo #8075).

# **PREGUNTAS FRECUENTES**

**P. ¿Qué hago si mi plancha se empieza a oxidar?**

**R.** Si aparece óxido en la superficie de la plancha, raspe cuidadosamente el óxido con una estopa de acero o con papel de lija de bajo grado y vuelva a curar la superficie. Tenga cuidado en siempre secar por completo su plancha antes de guardarla y en mantenerla alejada de la lluvia y aspersores.

**\*LOS CLIENTES EN CLIMAS HÚMEDOS O COSTEROS PUEDEN NECESITAR CURADOS MÁS FRECUENTES Y EL USO DE ACEITES DE COCINA MÁS PESADOS PARA EVITAR LA OXIDACIÓN Y LA CORROSIÓN.\***

**P. ¿Qué tipos de aceite de cocina puedo usar para curar mi plancha?**

**R.** Recomendamos los siguientes aceites para curar la parrilla: aceite vegetal, aceite de canola, aceite de coco, aceite de linaza, aceite de oliva y aceite de sésamo. La manteca de cerdo también se puede utilizar para curar la parrilla.

**P. ¿Puedo usar detergente para platos para limpiar mi plancha?**

**R.** Los detergentes quita-grasa para platos eliminarán el curado de la plancha, así que no recomendamos usar jabón en su plancha luego de que haya sido curada. Para los residuos de comida endurecidos en la plancha, utilice sal de mesa y agua caliente y frótelos. Asegúrese de secar completamente la plancha y de cubrirla de aceite luego de frotarla.

**P. ¿Por qué se ve opaca y seca la superficie de mi plancha, en lugar de brillante y negra?**

**R.** Curar es un proceso continuo. Con el tiempo, cuanto más frecuentemente cure la superficie de su plancha, más brillante, negra, y antiadherente se volverá.

**P. ¿Qué hago si necesito guardar mi plancha por un periodo extendido?**

**R.** Recomendamos que cubra la superficie de su plancha con una capa fina de aceite vegetal antes de guardarla por un periodo prolongado. Esto prevendrá el óxido y que se acumulen residuos en la plancha. Asegúrese de cubrirla y almacenarla en un lugar seco. Cuando saque la plancha del almacenamiento, límpiele el aceite con una toalla de papel.

# RECETAS PARA LA PLANCHA

## Desayuno

### TORTILLA DE TOMATE SECADO

#### Ingredientes (por tortilla):

2 a 3 huevos  
2 cucharadas de leche  
1 cucharada de tomates secos  
1 a 2 lonchas de jamón cortado en cubitos  
1/8 taza de queso mozzarella  
Albahaca fresca picada  
Sal y pimienta al gusto

#### Instrucciones:

1. Batir los huevos, la leche, la sal y la pimienta.
2. Precaliente la plancha a fuego medio alto y agregue el aceite deseado.
3. Vierta la mezcla de huevo en la plancha usando las espátulas para asegurarse de que no se extienda demasiado.
4. Deje cocinar por 2 a 3 minutos y agregue tomates, queso, jamón y albahaca a un lado de la tortilla y use la espátula para doblar sobre el otro lado para hacer la tortilla.
5. Baje el quemador a medio bajo y deje cocinar hasta que el queso se derrita, volteando una vez.

### PANQUECAS

#### Ingredientes:

3 tazas de harina  
2.5 cucharadas de polvo para hornear  
2 cucharaditas de sal  
2 cucharadas de azúcar  
2.5 tazas de leche  
Huevos  
6 cucharadas de mantequilla derretida

#### Instrucciones:

1. Combine todos los ingredientes y mezcle hasta que quede suave.
2. Calienta una plancha ligeramente engrasada a fuego medio alto.
3. Vierta cucharadas de masa sobre la plancha usando aproximadamente ¼ de taza por cada panqueque.
4. Dorar por ambos lados y servir caliente.



## **PAN TOSTADO**

### **Ingredientes:**

12 rebanadas de pan grueso  
4 huevos  
1.5 tazas de leche  
½ cucharadita de canela molida  
½ cucharadita de nuez moscada molida  
2 cucharaditas de extracto de vainilla  
Sal al gusto

### **Instrucciones:**

1. Batir el huevo, la leche, la sal, las especias y la vainilla.
2. Caliente la plancha ligeramente engrasada a fuego medio alto.
3. Moje las rebanadas de pan en la mezcla de huevo, asegurándose de que ambos lados estén empapados.
4. Coloque las rodajas empapadas en la plancha, cocine por ambos lados hasta que estén doradas.

## **TOCINO**

### **Ingredients:**

Paquete de tocino favorito

### **Instrucciones:**

1. Caliente la plancha a fuego medio alto.
2. Coloque tiras de tocino en la plancha
3. Voltar a marrón en ambos lados.
4. Retirar cuando se alcance el nivel de crujiente deseado.

# **Almuerzo**

## **PHILLY CHEESESTEAK**

### **Ingredientes:**

2 libras de carne de res en rodajas finas  
1 cebolla, en rodajas  
2 pimientos verdes, en rodajas  
1 cucharadita de ajo en polvo  
2 cucharadas de mantequilla  
Sal y pimienta para probar  
3 cucharadas de vinagre de manzana  
12 a 16 rebanadas de queso provolone  
1 tarro de *Cheese Whiz*  
6 rollos de hoagie

### **Instrucciones:**

1. Precaliente a la parrilla a fuego medio alto.
2. Agregue una cucharada de mantequilla y un poco de aceite a la plancha.
3. Agregue cebollas y pimientos a la plancha.
4. Sazone con sal, pimienta, vinagre y  $\frac{1}{2}$  cucharadita de ajo en polvo. Mezcle para combinar.
5. Agregue otra cucharada de mantequilla y un poco de aceite a la plancha.
6. Agregue carne de res a la plancha y córtela más con sus espátulas de metal para asegurarse de que se cocine de manera uniforme.
7. Sazone la carne con sal, pimienta y  $\frac{1}{2}$  cucharadita de ajo en polvo.
8. Cuando la carne esté cocida, divídala en la plancha en 6 montones.
9. Encienda la plancha a fuego medio y agregue unas cucharadas de *Cheese Whiz* a cada pila de carne.
10. Divida las verduras de manera uniforme entre las seis pilas de carne.
11. Agregue 2 a 3 rebanadas de queso provolone a cada pila.
12. Dividir los rollos de hoagie y tostarlos en la plancha.
13. Una vez que el queso se derrita, ponga cada montón de carne en un rollo de hoagie y sirva caliente.



## **SMASH BURGER**

### **Ingredientes:**

2 libras de carne molida  
Queso americano  
Sal y pimienta  
Char-Griller® Steak Rub  
Bollos de hamburguesa - 12

### **Instrucciones:**

1. Sazone la carne y la poción en bolas redondas de 1 pulgada.
2. Precaliente la plancha a fuego medio alto.
3. Coloque la carne en la plancha y coloque la espátula sobre ellos, presione la espátula para aplastar la hamburguesa hasta que esté súper delgada.  
*Un rodillo o una cuchara de madera ayuda con el apalancamiento.*
4. Cocine las hamburguesas durante 1 minuto y luego voltee inmediatamente colocando el queso encima de la hamburguesa.
5. Dejar cocinar por un minuto más.
6. Pan tostado en la plancha.
7. Apila dos hamburguesas una encima de la otra en un bollo y agrega ingredientes para hamburguesas si lo deseas..

## **SÁNDWICH DE QUESO Y TOMATE FLAT IRON®**

### **Ingredientes:**

8 rebanadas de pan (su tipo favorito)  
4 rebanadas de queso (su tipo favorito)  
2 tomates (cortados en 8 rodajas)  
1 cucharada de sal de ajo  
1 cucharada de aceite de oliva

### **Instrucciones:**

1. Asegúrese de que su parrilla Char-Griller® Flat Iron® está curada y lista para usarse. Encienda la parrilla a fuego medio bajo y precaliente durante 5-10 minutos.
2. Rocíe el pan con aceite de oliva y espolvoréelo con sal de ajo. Colóquelo en la parrilla Flat Iron® y deje que se tueste por 2 minutos.
3. Luego cubra las rebanadas de pan con el queso, las rodajas de tomate y la albahaca. Coloque el resto de los ingredientes en el pan y el queso y espere a que éste se derrita por unos 5 minutos más.
4. Doble la mitad opuesta sobre la otra mitad y retire los sándwiches de la parrilla. ¡Córtelos a la mitad y disfrute!

# **Cena**

## **FILETE PLANO SUPERIOR**

### **Ingredientes:**

6 filetes de tira  
3 cucharadas de mantequilla  
Sal y pimienta

### **Instructions:**

1. Sazone los filetes con sal y pimienta por ambos lados.
2. Agregue la mantequilla a la plancha y caliente a fuego medio alto.
3. Agregue los filetes a la plancha y dore durante 5 a 6 minutos por cada lado o hasta que alcance la temperatura deseada. (Se recomiendan 145 grados).

## **POLLO**

### **Ingredientes:**

2 libras de pechugas de pollo  
4 cucharadas de mostaza Dijon  
2 cucharadas de miel  
2 cucharadas de vinagre de vino blanco  
3 cebolletas, cortadas en cubitos  
Sal y pimienta para probar  
1 cucharadita de pimentón

### **Instrucciones:**

1. Agregue pollo, mostaza, miel, vinagre, cebolletas, sal y pimienta y pimentón a la bolsa de plástico.
2. Asegúrese de que el pollo esté completamente cubierto de adobo.
3. Marinar en el refrigerador por al menos 2 horas.
4. Agregue el aceite de elección a la plancha y precaliente a fuego medio alto.
5. Coloque el pollo marinado en la plancha y cocine de 6 a 8 minutos por cada lado o hasta que esté interno.
6. La temperatura alcanza 165 grados.
7. Servir con calabacín o espárragos. También genial picado en ensaladas!



## **CAMARONES SALTEADOS**

### **Ingredientes:**

1 libra. Camarones, pelados y desvenados  
1 cabeza de brócoli, picado  
3 zanahorias grandes, peladas y picadas  
1 lata de castañas de agua, escurridas  
1 lata de elote baby, escurrido  
1 cebolla amarilla, en rodajas  
2 pimientos verdes, cortados en cubitos  
4 tazas de arroz cocido  
1 huevo  
1 cucharada de jengibre recién rallado  
4 cucharadas de aceite de sésamo  
Salsa de soja al gusto  
Sal y pimienta al gusto

### **Instrucciones:**

1. Agregue 2 cucharadas de aceite de sésamo a la plancha y precaliente a fuego medio alto.
2. Agregue todas las verduras a la parrilla y revuelva para cubrir con aceite de sésamo.
3. Cocine por 6 a 8 minutos.
4. Agregue 1 cucharada de aceite de sésamo a la plancha y agregue los camarones.
5. Mezcle los camarones y cocine hasta que estén opacos. (alrededor de 5 a 6 minutos)
6. Combine verduras y camarones y agregue la cantidad deseada de salsa de soja, 1 cucharada de jengibre y sal y pimienta al gusto.
7. Ponga los dos quemadores de la plancha más a la izquierda en bajo y mueva las verduras y los camarones a ese lado.
8. Agregue 1 cucharada final de aceite de sésamo a la plancha y rompa el huevo.
9. Revuelva el huevo y agregue arroz al huevo. Cocine hasta que esté ligeramente dorado.
10. Plato con arroz debajo de verduras y camarones y servir.



**ENCUENTRE MÁS RECETAS  
EN CHARGRILLER.COM**

# ACCESORIOS FAVORITOS

PARA LA VISITA COMPLETA DE ACCESORIOS [CHARGRILLER.COM](http://CHARGRILLER.COM)



## Flat Iron® Kit Básico para la Plancha

- (2) Botellas de agua
- (2) espátulas
- Raspador

Modelo #E8905



## Flat Iron® Kit de Desayuno para la Plancha

- (1) Dispensador de masa
- (1) Prensa de tocino de hierro fundido
- (2) Anillos de huevo antiadherentes

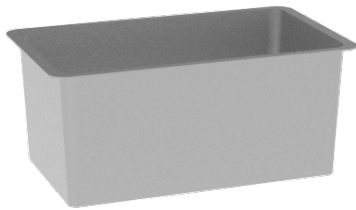
Modelo #8933



## Flat Iron® Kit de Limpieza para la Plancha

- (1) Raspador
- (2) Limpieza de Ladrillos & Mango
- (3) Estropajos & Mango

Modelo #8922



## Flat Iron® Revestimientos para Cajón de Grasa

- Rápido, fácil y desechable
- Haga que cocinar y limpiar en su Flat Iron® sea muy fácil

Modelo #8903



## Flat Iron® Cubierta de Rociado

- Derretir queso
- Verduras al vapor
- Mantenga la comida caliente
- Mango Stay Cool™

Modelo #8966



## Flat Iron® Prensa de Hamburguesas

- Crea hamburguesas perfectas en todo momento

Modelo #8813

**Para soporte del producto, contáctenos en:**

**[Service@CharGriller.com](mailto:Service@CharGriller.com)**

**o**

**LLAMANOS: 1-912-638-4724**



**P.O. Box 30864  
Sea Island, GA 31561  
1-912-638-4724  
[www.CharGriller.com](http://www.CharGriller.com)  
[Service@CharGriller.com](mailto:Service@CharGriller.com)**

