

Table of Contents

Table of Contents.....	2
Safety Information.....	2-3
Pre-Assembly	4
Tools Required	4
Hardware Included.....	4
Package Contents	5

Assembly	6-7
How to use as a fire pit	8
How to use to cook food.....	8
Care and Maintenance	9
Replacement Parts List.....	10

Safety Information

PRECAUTION

Use caution and common sense when using your outdoor fire pit. Failure to adhere to the safety warnings and guidelines in this manual could result in bodily injury or property damage. Save this manual for future reference.



WARNING: This outdoor fire pit is for outdoor use only.



WARNING: Do not leave unattended at anytime during use.



WARNING: Use only on brick, concrete, stone or other masonry surfaces.



WARNING: Do not move the fire pit during use.



WARNING: Do not use on lawns, wooden decks, artificial wood decking or asphalt.



WARNING: Do not use in windy conditions.



WARNING: Keep the outdoor fire pit a minimum of 10 ft. away from buildings, structures, any flammable items and vehicles.



WARNING: Do not use without the wood grate placed on the bottom of the firebowl. Do not use more than 5 lbs. of firewood on the wood grate.



WARNING: Never use under low hanging tree branches, trellises or overhangs of any kind including covered porches.



WARNING: Use caution when tending the fire, as surfaces will become very hot while in use.



WARNING: Never use gasoline, alcohol or volatile fluids to start or restart fires.



WARNING: Keep the spark guard in place while using as a fire pit.



WARNING: For longer product life, keep fires to a respectable size, do not overload.



WARNING: Use mittens or gloves with the poker to remove the spark guard. The spark guard will become very hot.



WARNING: The outdoor fire pit is for adult use only.



WARNING: Use caution when removing the spark guard, as hot steam or a flare up could cause burns.

Safety Information (continued)



WARNING: Before each use make sure the outdoor fire pit is in good working condition.



WARNING: During use, keep the pivoting grate over the fire pit as much as possible. Do not leave the cooking grate pivoted off the fire any longer than needed.



WARNING: Use caution after the fire has been extinguished. Surfaces will remain hot for some time.



WARNING: Do not unnecessarily push down on the cooking grate when it is on the pivoting rod. The grate or firebowl or both will be damaged.



WARNING: The outdoor fire pit must be completely cooled off and all embers must be extinguished before any cover can be used.



WARNING: Do not use the pivoting grate or rod to pull the fire pit.



WARNING: The cooking grate will become hot during use. Use mittens, gloves or poker to move or pivot the cooking grate.



WARNING: Never burn wood on the cooking grate.



WARNING: Do not pivot the cooking grate in a fast manner or the food will roll off the grate.



WARNING: Do not store with the pivoting cooking grate left on the pivoting rod. Store pivoting rod and cooking grate inside the fire pit.



WARNING: Make necessary height adjustments before adding food to the grate.



WARNING: CARBON MONOXIDE HAZARD!
Burning wood or charcoal produces carbon monoxide, which has no odor and can cause death if burned in enclosed areas. Never burn wood or charcoal inside homes, vehicles, tents or any other enclosed areas.



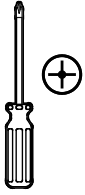
WARNING: Do not add more than 4 lbs. of food on the pivoting grate.



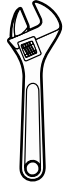
WARNING: For best results, coat the grate surfaces with vegetable oil before using.

Pre-Assembly

TOOLS REQUIRED



Phillips
screwdriver



Adjustable
wrench

HARDWARE INCLUDED



NOTE: Hardware not shown to actual size.



AA



BB



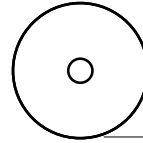
CC



EE



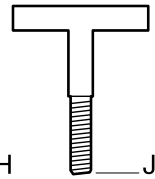
FF



GG



HH

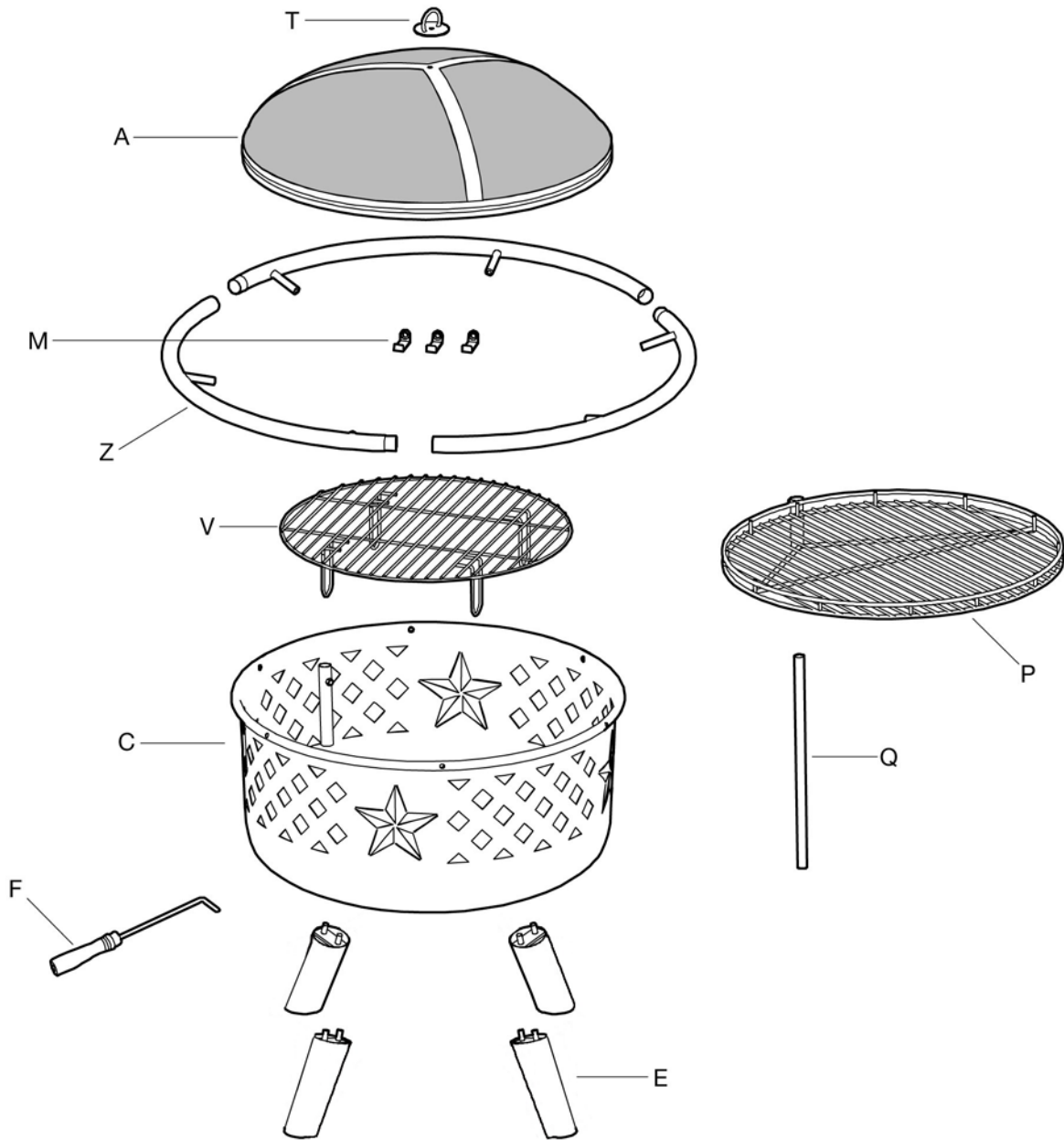


JJ

Part	Description	Quantity
AA	M8 Hex Nut	8
BB	Leg Washer	8
CC	M6 x 25mm Bolts	6
EE	Wing Bolt	1
FF	M6 Hex Nut	1
GG	Spark Guard Washer	1
HH	M6 x 16mm Bolt	1
JJ	T-Bolt	1

Pre-Assembly (continued)

PACKAGE CONTENTS



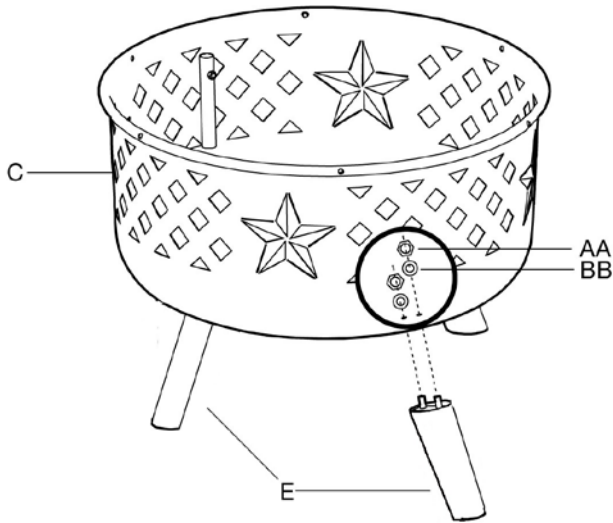
Part	Description	Part #
A	Spark Guard	1
C	Firebowl	1
E	Legs	4
F	Poker	1
M	Pins	3

Part	Description	Part #
P	Cooking Grate	1
Q	Grate Rod	1
T	Spark Guard Hook	1
V	Wood Grate	1
Z	Ring Sections	3

Assembly

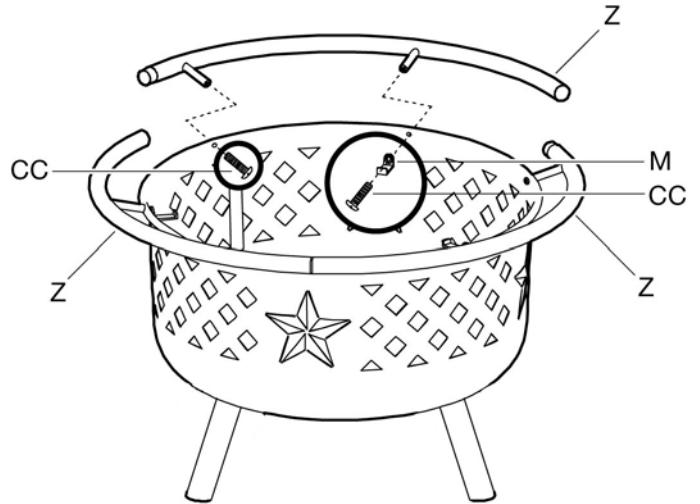
1 Assembling the legs

- Assemble the four legs (E) to the firebowl (C) using eight washers (BB) and eight hex nuts (AA). Tighten securely.



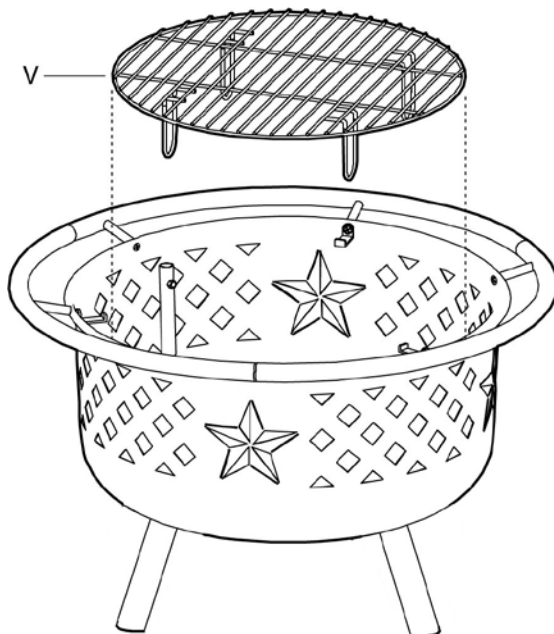
2 Assembling the ring sections

- Assemble each of the three ring sections (Z) to the firebowl using two bolts (CC). For each ring section, assemble one pin (M) as shown between the bolt and the firebowl. Space the pins evenly. Tighten bolts securely.



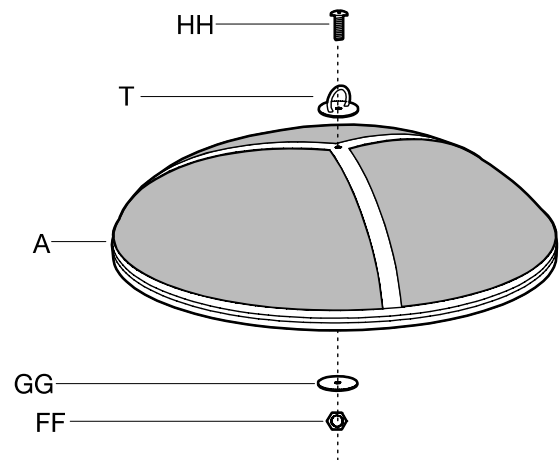
3 Place the wood grate

- Place the wood grate (V) onto the bottom of the firebowl (C). Always use the wood grate during use.



4 Assembling the spark guard

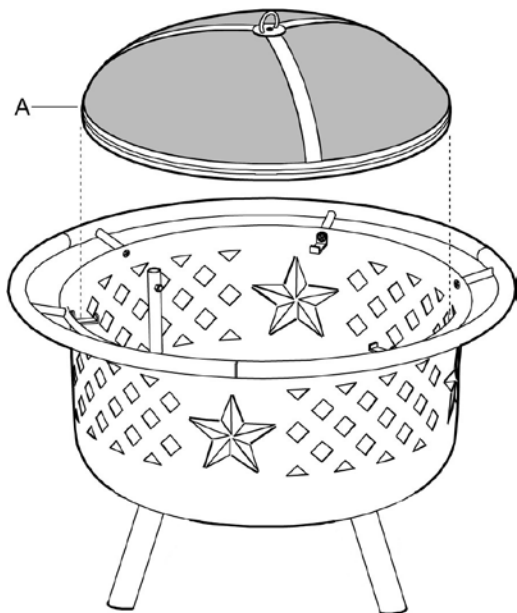
- Assemble the spark guard hook (T) to the spark guard (A) using one bolt (HH), one washer (GG) and one hex nut (FF).



Assembly (continued)

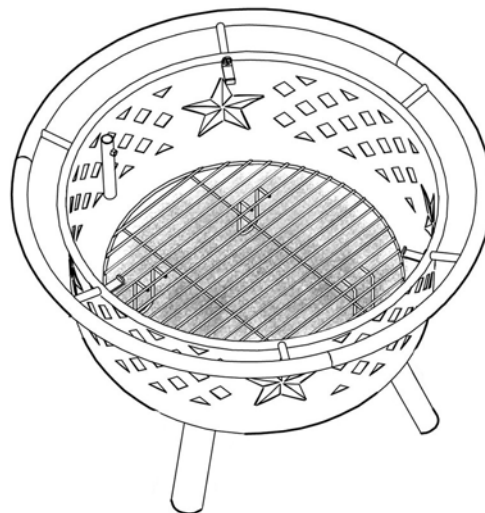
5 Placing the spark guard on the fire pit

- Place the spark guard (A) onto the three pins (M).



6 Adding sand

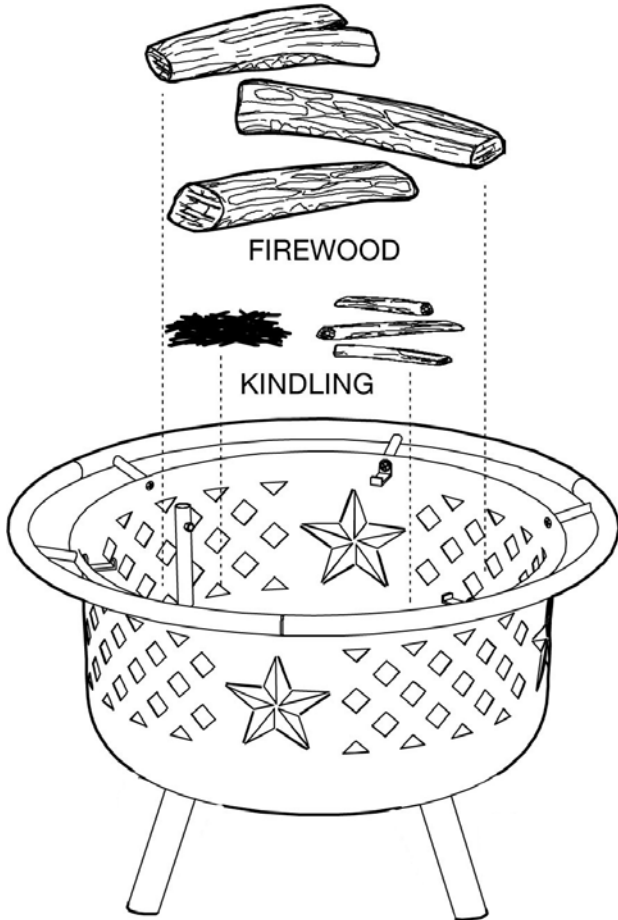
- Before using, add a 1-1.5 in. layer of sand or about 5 lbs. (size wise, it's the same amount as a 5 lb. bag of sugar) to the bottom of the firebowl. This will help against the corrosive nature of the ashes and help radiate the heat upwards.



How to Use as a Fire Pit

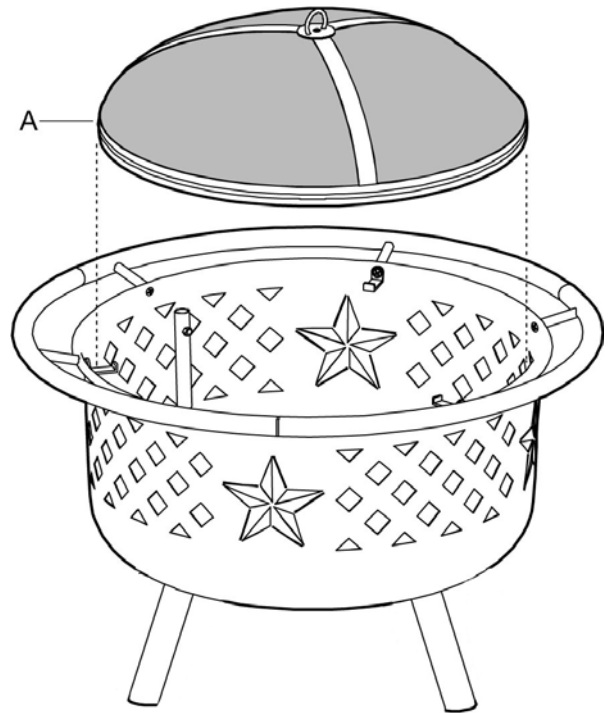
1 Adding fuel

- Add up to 5 lbs. of kindling and firewood to the wood grate. Use paper or firestarter under the kindling and light with a match. Add more firewood as needed. The capacity of the fire pit is 5 lbs. of fuel.



2 Adding the spark guard

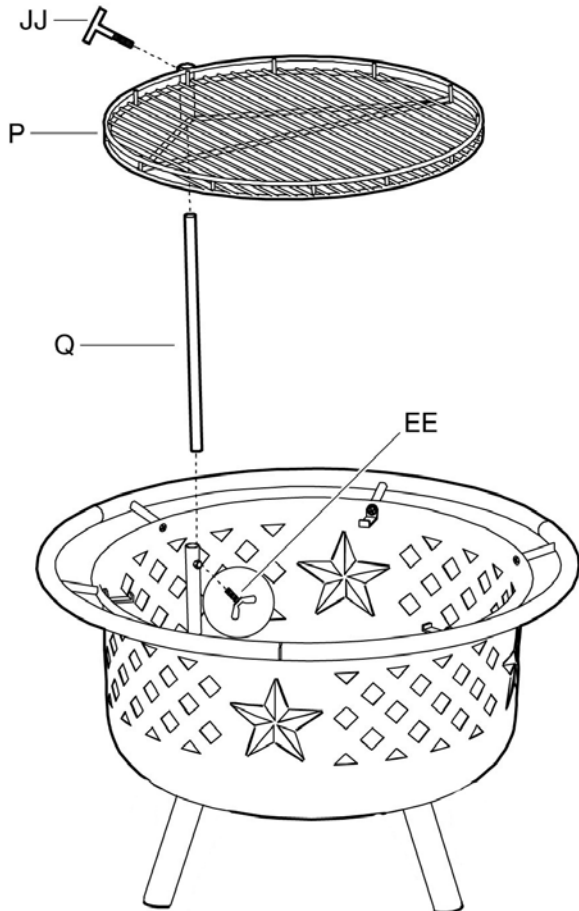
- Place the spark guard on the fire pit. Always use the spark guard during use.



How to Use to Cook Food

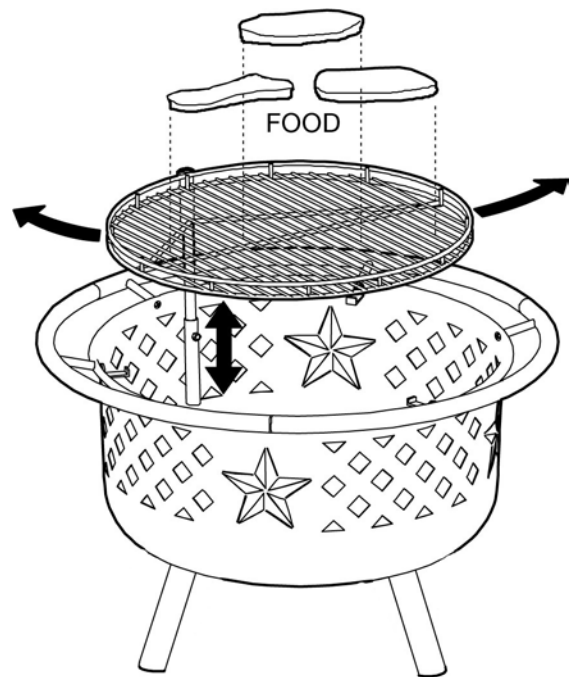
1 Assembling the cooking grate

- Remove the spark guard. Place the grate rod (Q) into the holder. Keep in place with the wing nut (EE). Place the cooking grate (P) onto the grate rod and lock in place with the T-bolt (JJ).



2 Adding food to the cooking grate

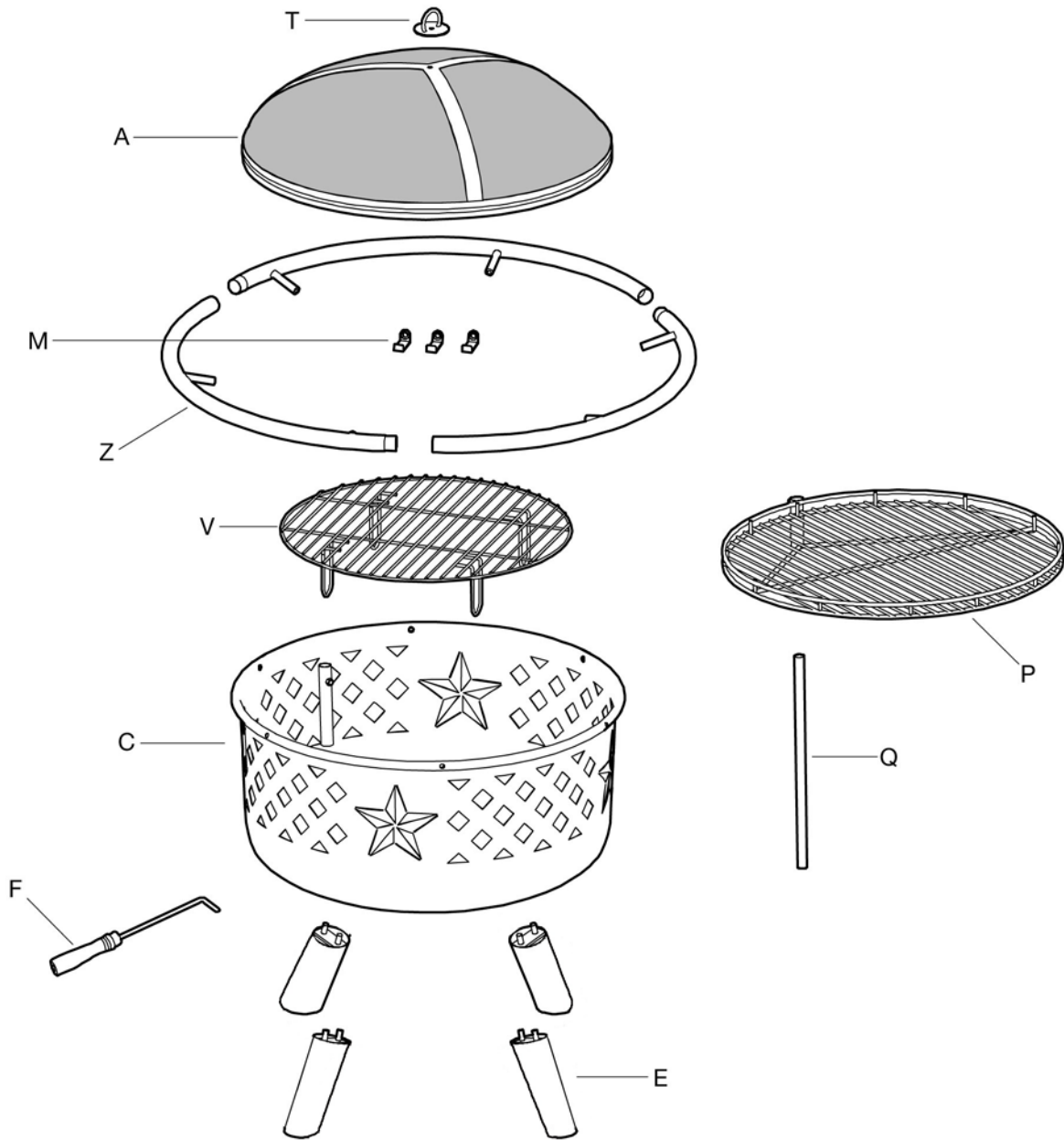
- Wipe the cooking grate with vegetable oil. Adjust the cooking grate height as desired. Add food to the cooking grate. The weight capacity of the cooking grate is 4 lbs.



Care and Maintenance

- Clean out ashes after each use only after the fire pit is completely cooled.
- Do not attempt to clean while hot.
- Store the fire pit in a dry place out of the weather.
- Clean cooking grate with soap and water. Dry with a clean rag.

Replacement Parts List



Part	Description	Part #
A	Spark Guard	25910-A
C	Firebowl	25910-C
E	Legs	25910-E
F	Poker	25910-F
M	Pins	25910-M
P	Cooking Grate	25910-P

Part	Description	Part #
Q	Grate Rod	25910-Q
T	Spark Guard Hook	25910-T
V	Wood Grate	25910-V
Z	Ring Sections	25910-Z
N/A	Hardware Pack	25910-S1



LANDMANN® Ltd.

Unit 6 Blackstone Road,
Stukeley Meadows Industrial Estate,
Huntingdon, Cambs, PE29 6EF,
United Kingdom

Hotline

Monday to Friday 9am to 5pm
01480 421720