

This Owner's Manual is provided and hosted by [Appliance Factory Parts](#).



CUISINART G53509 Owner's Manual

[Shop genuine replacement parts for CUISINART
G53509](#)



[Find Your CUISINART Grill Parts - Select From 152 Models](#)

----- Manual continues below -----

Cuisinart® ASSEMBLY MANUAL



Cuisinart® Gourmet 750

85-3122-0 (G53509) Propane
85-3123-8 (G53510) Natural Gas

READ AND SAVE MANUAL FOR FUTURE REFERENCE.

Assemble your grill immediately.

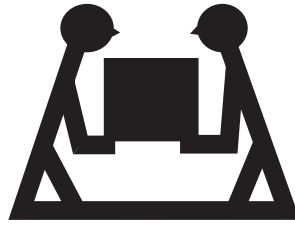
Missing or damaged parts should be claimed within 30 days of purchase.

For product inquiries, parts, warranty and troubleshooting support, please call 1-800-309-3452.

www.cuisinartbbqs.com

LIMITED 5-YEAR WARRANTY

Manual Revision #: 10112018 JC



HEAVY ARTICLE NEEDS 2 TO LIFT

THIS MANUAL MUST REMAIN WITH THE PRODUCT AT ALL TIMES

To ORDER non-warranty replacement parts or accessories,
or to register your warranty, please visit us on the web at
www.cuisinartbbqs.com

⚠ CAUTION

Sharp edges. Wear gloves when assembling your grill.

⚠ CAUTION

Read and follow all safety statements, assembly instructions, use and care directions before attempting to assemble and cook.

⚠ INSTALLER OR ASSEMBLER/CONSUMER

This manual should be kept with the BBQ at all times.

⚠ WARNING

Failure to follow all of the Manufacturer's instructions could result in hazardous fires, explosions, property damage, or serious personal injury or even death.

Follow all leak check procedures carefully prior to operation of barbecue, even if grill was dealer assembled. Do not try lighting this BBQ without reading the Lighting Instructions section of the Safety and Care Manual that accompanies this grill.

⚠ DANGER

1. If you smell Gas:
 - a. Shut off gas to the appliance
 - b. Extinguish any open flame
 - c. Open lid
 - d. If odor continues, keep away from the appliance and immediately call your gas supplier or your fire department
2. Do not store or use gasoline or other flammable liquids or vapours in the vicinity of this or any other appliance.
3. An LP cylinder not connected for use shall not be stored in the vicinity of this or any other appliance.

⚠ DANGER

1. Do not store or use gasoline or other flammable liquids or vapours in the vicinity of this or any other appliance.
2. An LP cylinder not connected for use shall not be stored in the vicinity of this or any other appliance.

⚠ CAUTION

Avoid burns. The stainless steel and steel surfaces of this barbecue can become extremely hot, in direct sun and while the barbecue is in operation.

THIS BARBECUE IS FOR OUTDOOR USE ONLY

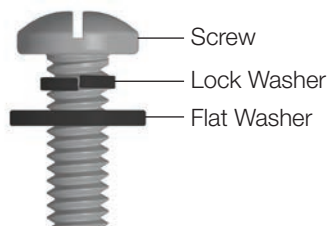
CUISINART® CUSTOMER CARE HOTLINE
1-800-309-3452

HARDWARE PACK

Tools Needed for Assembly

- #2 Phillips screwdriver (long and short)
- 1/4" Slotted screwdriver (long and short)
- Adjustable wrench
- Pliers
- Rubber Mallet

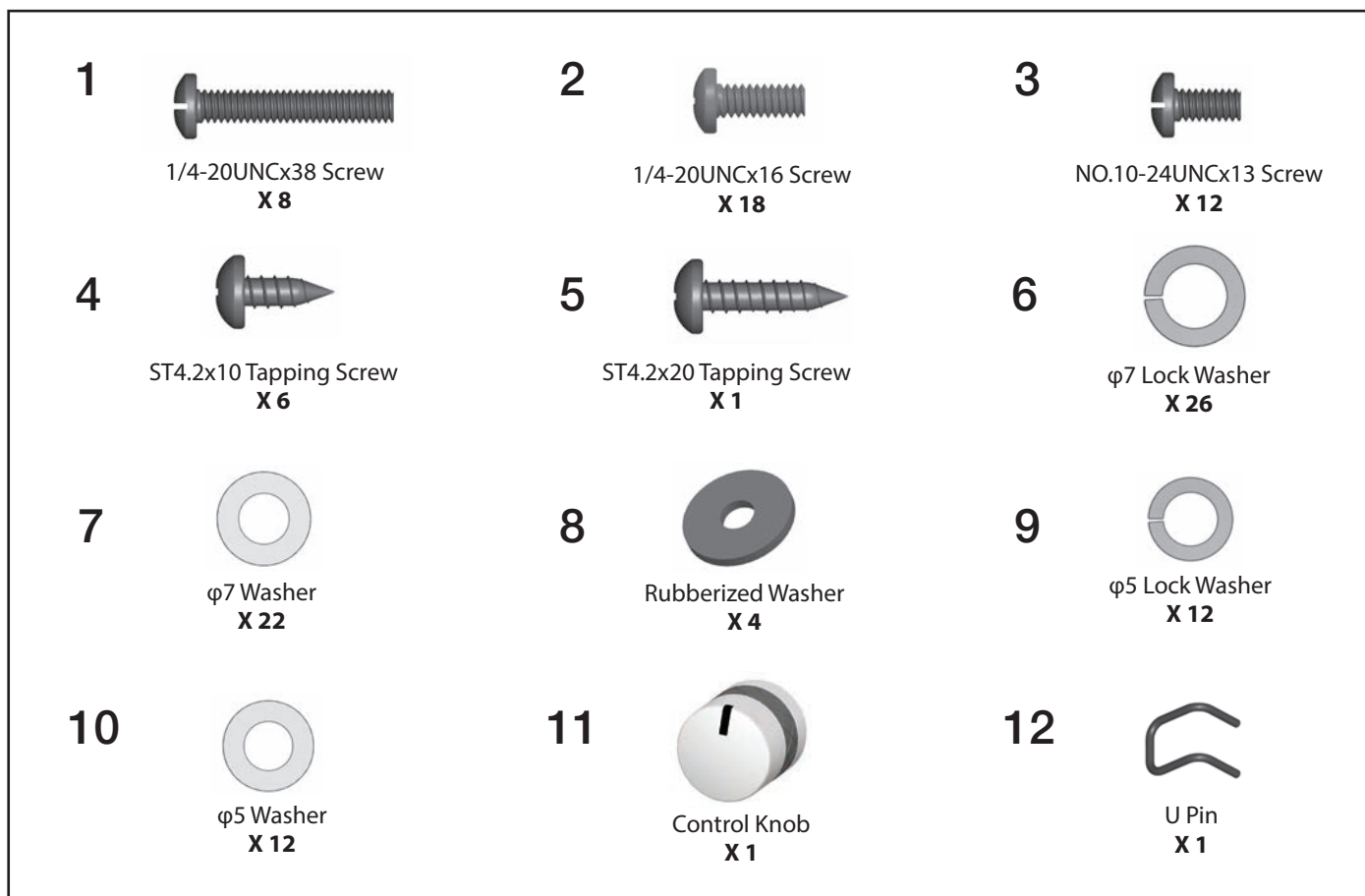
For correct hardware assembly, always position the lock washer between the screw and the flat washer.



Note: Do not fully tighten all the nuts during this initial stage

No.	Description	Part Number	Qty.
1	1/4-20UNCx38 Screw	20120-13038-250	8
2	1/4-20UNCx16 Screw	20120-13016-250	18
3	NO. 10-24UNCx13 Screw	20124-10013-250	12
4	ST4.2x10 Tapping Screw	22500-42010-137	6
5	ST4.2x20 Tapping Screw	22500-42020-137	1
6	φ7 Lock Washer	41400-07000-250	26
7	φ7 Washer	40300-07000-250	22
8	Rubberized Washer	G501-0054-9100	4
9	φ5 Lock Washer	41400-05000-250	12
10	φ5 Washer	40300-05000-250	12
11	Control Knob	G618-0014-9000	1
12	U Pin	G350-0026-9000	1

⚠ Caution:
Sheet metal can cause injury. Wear gloves when installing this grill.

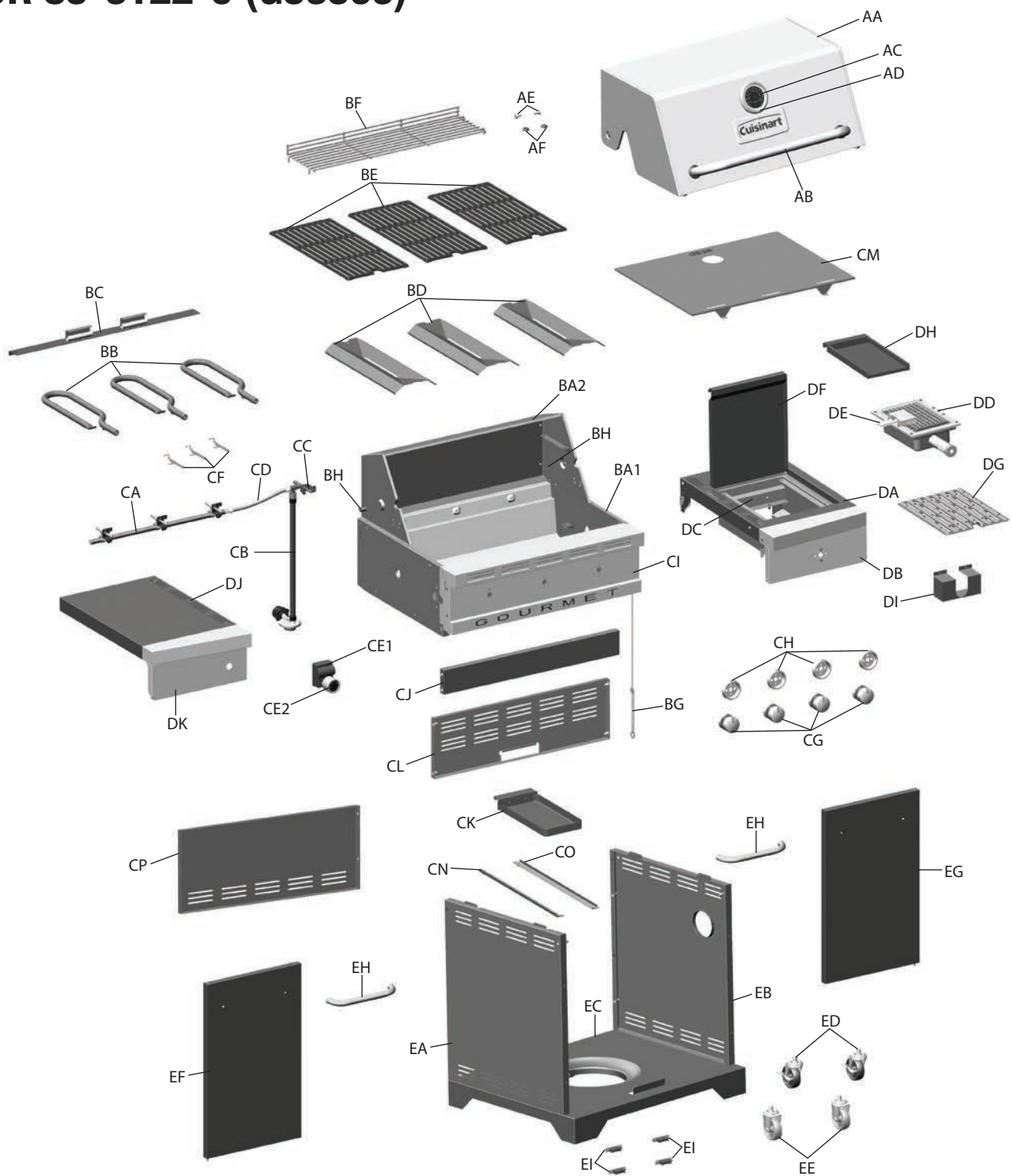


BEFORE ASSEMBLING THE BARBECUE, READ THESE INSTRUCTIONS CAREFULLY.
Assemble the barbecue on a flat, clean surface. Grill is heavy. Two people are recommended to complete assembly.

PARTS LIST (PROPANE) FOR 85-3122-0 (G53509)

Item No.	Qty.	Description	Part No.	Item No.	Qty.	Description	Part No.
AA	1	Top lid	G535-5400-01	DB	1	Side Shelf Fascia, Right	G535-4100-01
AB	1	Lid Handle	G525-0033-01	DC	1	Infrared Support Frame	G535-3500-01
AC	1	Thermometer	G512-0085-01	DD	1	Infrared Zone Side Burner	G535-8600-01
AD	1	Thermometer Bezel	G535-0052-01	DE	1	Electrode Set, Infrared Zone	G614-0092-01
AE	2	Screw for Top Lid	G359-0030-01	DF	1	Lid, Infrared Zone	G501-0070-02
AF	2	Lid Bumper	G527-0002-01	DG	1	Cooking Grate, Infrared Zone	G525-0055-01
BA1	1	Burner Box Assembly	G535-3600-01	DH	1	Infrared Grease Tray	G614-0075-01
BA2	1	Burner Box Surround	G535-3100-01	DI	1	Infrared Side Burner Wind Shield	G614-0073-01
BB	3	Main Burner	G525-3800-02	DJ	1	Side Shelf Table, Left	G535-0600-01
BC	1	Carryover Assembly	G535-0033-01	DK	1	Side Shelf Fascia, Left	G535-0700-01
BD	3	Flame Tamer	G525-0015-01	EA	1	Left Cart Side Panel	G535-0009-01A
BE	3	Cooking Grate	G525-0016-01	EB	1	Right Cart Side Panel	G535-0010-01A
BF	1	Warming Rack	G525-0017-01	EC	1	Bottom Shelf, LP	G535-0900-01
BG	1	Match Holder	G501-0068-01	ED	2	Wheel with Lock	G350-0023-01
BH	2	Lid Support Pin	G525-0014-02	EE	2	Wheel	G350-0024-01
CA	1	Manifold Assembly, LP	G535-6300-01	EF	1	Left Door Assembly	G535-5800-01
CB	1	Regulator	G510-0006-01	EG	1	Right Door Assembly	G535-5900-01
CC	1	Infrared Side Burner Valve, LP	G535-0023-01	EH	2	Door Handle	G517-0011-01
CD	1	Metal Hose	G508-0024-01	EI	4	Door Magnet Assembly	G501-00F2-03
CE1	1	Electronic Ignition Assembly	G535-0031-01	F1	1	Hardware pack	G535-B005-01
CE2	1	Electronic Ignition Battery Cap	G535-0031-02	F2	1	Assembly Manual	G535-M009-01
CF	3	Electrode Set, Main Burner	G525-0030-01	F3	1	Safe Use and Care Manual	G535-M009-02
CG	4	Control Knob	G618-0014-01	F4	1	Tank Screw	G505-0047-01
CH	4	Bezel, Control Knob	G418-0038-01				
CI	1	Control Panel	G535-0008-01				
CJ	1	Front Brace	G535-5000-01				
CK	1	Grease Tray	G350-4400-01				
CL	1	Upper Back Panel	G535-0054-01				
CM	1	Heat Shield	G525-0022-01				
CN	1	Left Track	G515-0024-01				
CO	1	Right Track	G515-0025-01				
CP	1	Lower Back Panel	G535-0053-01				
DA	1	Side Shelf Table, Right	G535-0400-01				

EXPLODED DIAGRAM (PROPANE) FOR 85-3122-0 (G53509)



EXTRAS

Hardware Pack
F1

Assembly Manual
F2

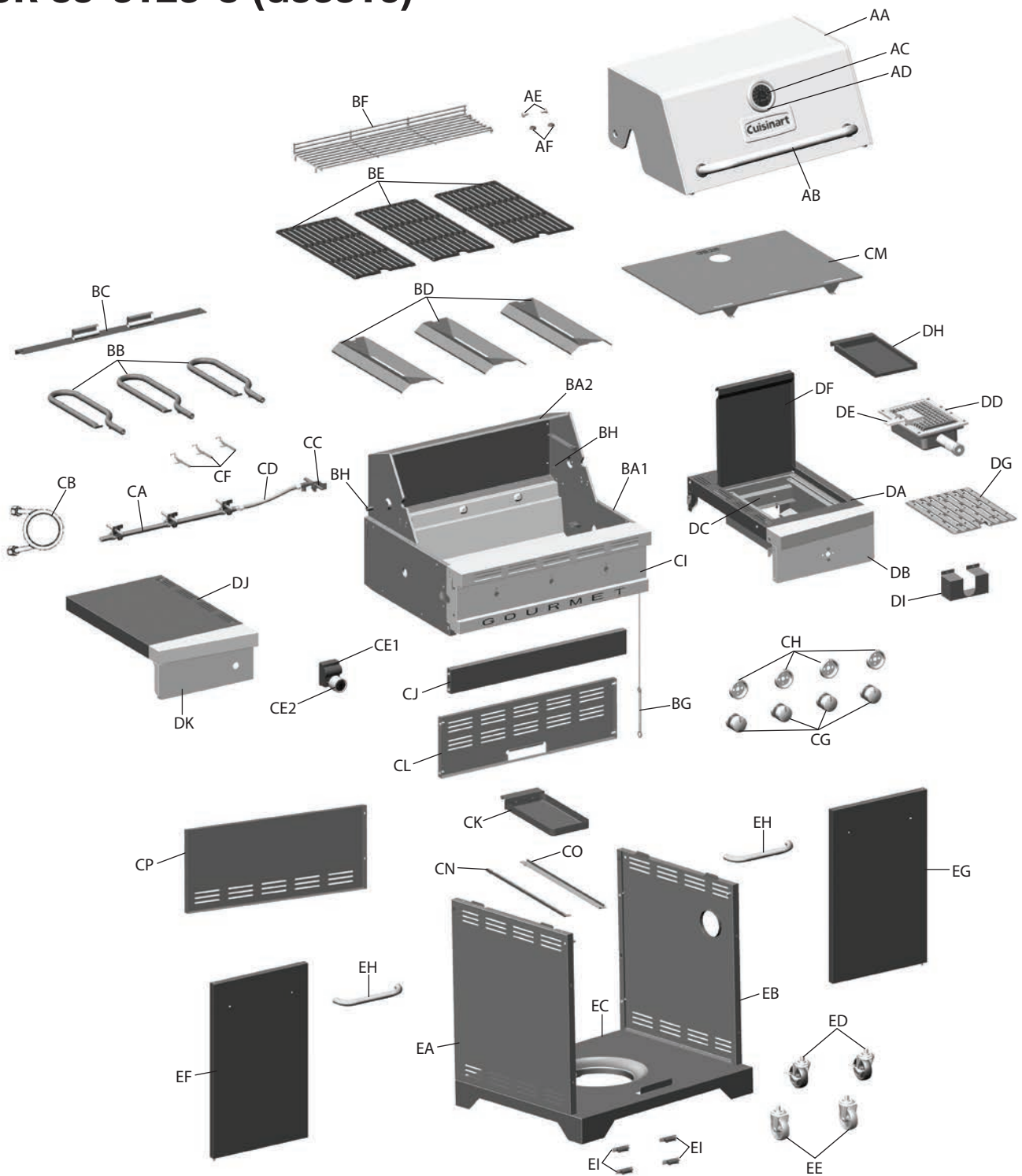
Safe Use & Care Manual
F3

Tank Screw
F4

PARTS LIST (NATURAL GAS) FOR 85-3123-8 (G53510)

Item No.	Qty.	Description	Part No.	Item No.	Qty.	Description	Part No.
AA	1	Top lid	G535-5400-01	DB	1	Side Shelf Fascia, Right	G535-4100-01
AB	1	Lid Handle	G535-0033-01	DC	1	Infrared Support Frame	G535-3500-01
AC	1	Thermometer	G512-0085-01	DD	1	Infrared Zone Side Burner	G535-8600-01
AD	1	Thermometer Bezel	G535-0052-01	DE	1	Electrode Set, Infrared Zone	G614-0092-01
AE	2	Screw for Top Lid	G359-0030-01	DF	1	Lid, Infrared Zone	G501-0070-02
AF	2	Lid bumper	G527-0002-01	DG	1	Cooking Grate, Infrared Zone	G525-0055-01
BA1	1	Burner Box Assembly	G535-3600-01	DH	1	Infrared Grease Tray	G614-0075-01
BA2	1	Burner Box Surround	G535-3100-01	DI	1	Infrared Side Burner Wind Shield	G614-0073-01
BB	3	Main Burner	G525-3800-02	DJ	1	Side Shelf Table, Left	G535-0600-01
BC	1	Carryover Assembly	G535-0033-01	DK	1	Side Shelf Fascia, Left	G535-0700-01
BD	3	Flame Tamer	G525-0015-01	EA	1	Left Cart Side Panel	G535-0009-01A
BE	3	Cooking Grate	G525-0016-01	EB	1	Right Cart Side Panel	G535-0010-01A
BF	1	Warming Rack	G525-0017-01	EC	1	Bottom Shelf, NG	G535-3400-01
BG	1	Match holder	G501-0068-01	ED	2	Locking Wheel	G350-0023-01
BH	2	Lid Support Pin	G525-0014-02	EE	2	Wheel	G350-0024-01
CA	1	Manifold Assembly, NG	G535-6600-01	EF	1	Left Door Assembly	G535-5800-01
CB	1	Natural Gas Hose	G501-0099-01	EG	1	Right Door Assembly	G535-5900-01
CC	1	Infrared Side Burner Valve, NG	G535-0027-01	EH	2	Door Handle	G517-0011-01
CD	1	Metal Hose	G508-0024-01	EI	4	Door Magnet Assembly	G501-00F2-03
CE1	1	Electronic Ignition Assembly	G535-0031-01	F1	1	Hardware Pack	G535-B005-01
CE2	1	Electronic Ignition Battery Cap	G535-0031-02	F2	1	Assembly Manuals	G535-M009-01
CF	3	Electrode Set, Main Burner	G525-0030-01	F3	1	Safe Use and Care Manual	G535-M009-02
CG	4	Control Knob	G618-0014-01				
CH	4	Bezel, Control Knob	G418-0038-01				
CI	1	Control Panel	G535-0008-01				
CJ	1	Front Brace	G535-5000-01				
CK	1	Grease Tray	G350-4400-01				
CL	1	Upper Back Panel	G535-0054-01				
CM	1	Heat Shield	G525-0022-01				
CN	1	Left Track	G515-0024-01				
CO	1	Right Track	G515-0025-01				
CP	1	Lower Back Panel	G535-0053-01				
DA	1	Side Shelf Table, Right	G535-0400-01				

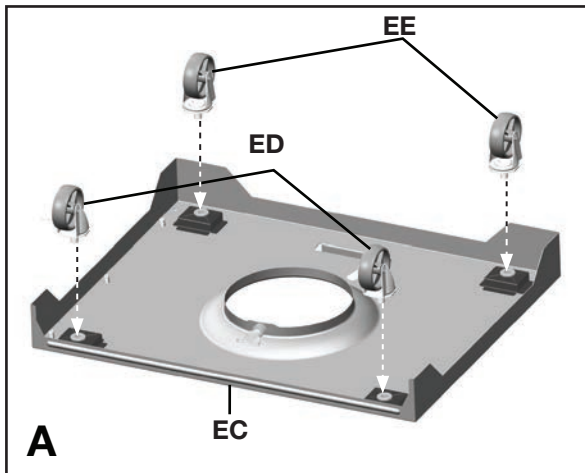
EXPLODED DIAGRAM (NATURAL GAS) FOR 85-3123-8 (G53510)



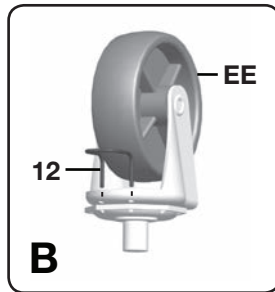
EXTRAS		
Hardware Pack F1	Assembly Manual F2	Safe Use & Care Manual F3

ASSEMBLY INSTRUCTIONS

1.



Back view



Close up

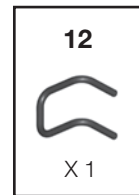
Separate the 2 different types of wheels: 2 Locking Wheels (ED) and 2 Regular Wheels (EE).

Insert the U Pin (#12) into one of the regular Wheels (EE), as shown in image B. Attach the Regular Wheel (EE) to the front of the Bottom Shelf (EC), and use the U Pin (#12) to secure and tighten.

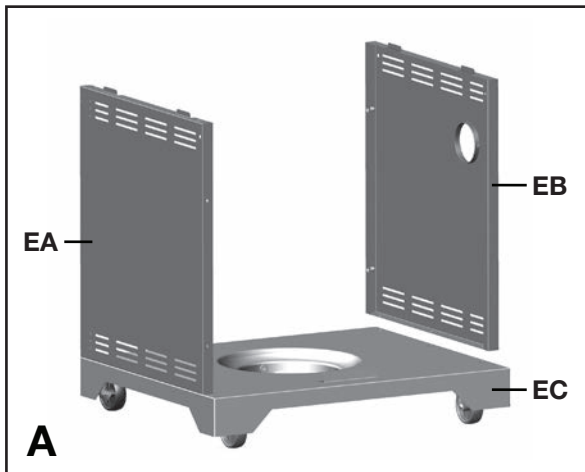
Repeat for remaining 3 Wheels (EE & ED).

NOTE: Regular Wheels (EE) need to be assembled to the front of the Bottom Shelf (EC), and Wheels with Lock (ED) need to be assembled to the back of the Bottom Shelf (EC), as shown in image A.

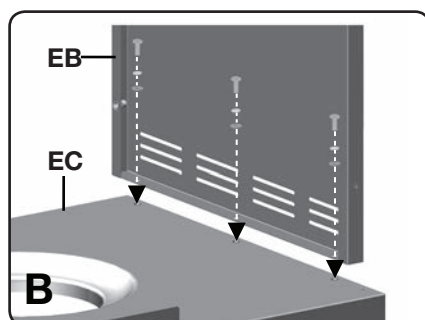
YOU WILL NEED:



2.



Front view

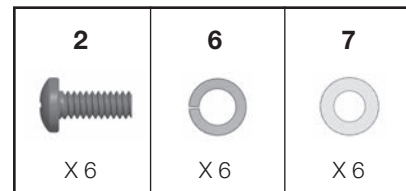


Close up

a. Ensure that the wheels are firmly locked in the "ON" position before continuing.

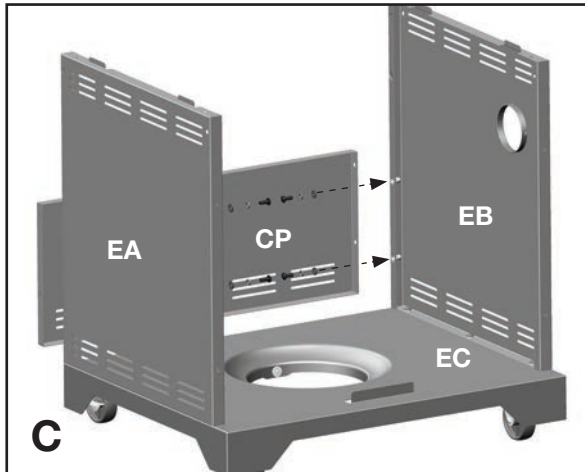
b. Assemble the Left Cart Side Panel (EA) and the Right Cart Side Panel (EB) to the Bottom Shelf (EC).

YOU WILL NEED:






ASSEMBLY INSTRUCTIONS

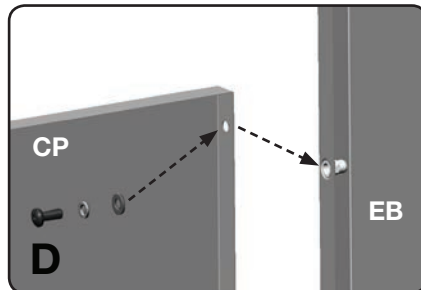
2.



c. Assemble the Lower Back Panel (CP) to the Left Cart Side Panel (EA) and Right Cart Side Panel (EB).

YOU WILL NEED:

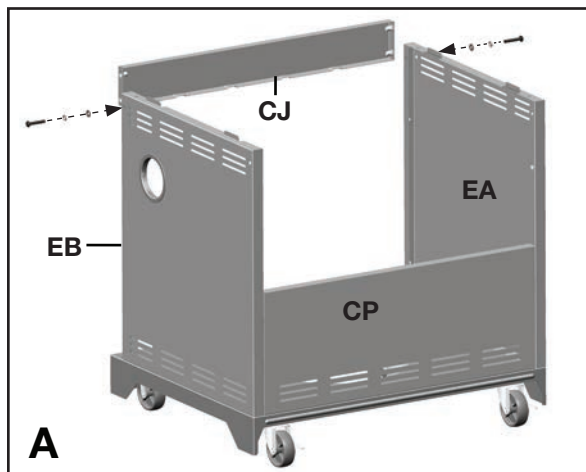
2	6	7
		
X 4	X 4	X 4



Close up

TIP: The top of the lower back panel (CP) can be identified by the four recesses located on the top of this part.

3.






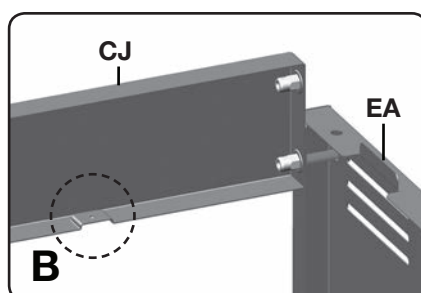
Back view

Attach the Front Brace (CJ) to the Left and Right Cart Side Panels (EA and EB).

TIP: One person should align the left side, while the second person assembles the right side.

YOU WILL NEED:

1	6	7
		
X 2	X 2	X 2

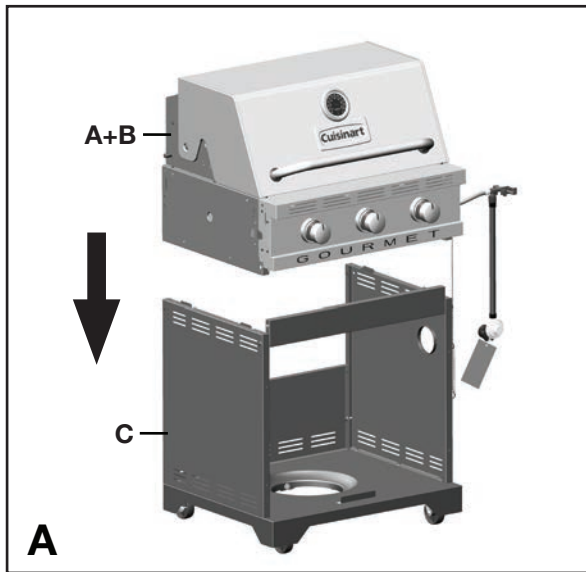


Close up

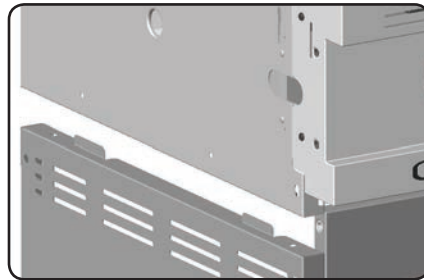
TIP: The bottom of the front brace (CJ) can be identified by the four recesses located on the bottom of this part.

ASSEMBLY INSTRUCTIONS

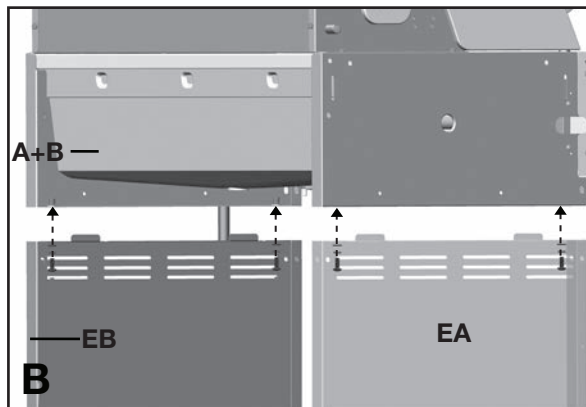
4.



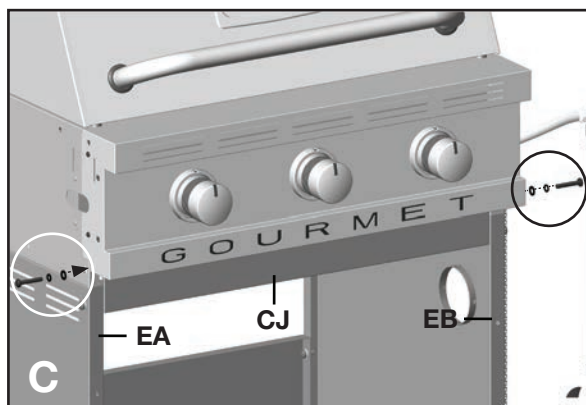
Front view



Close up - left outside view



Back view






Front view

**THIS STEP REQUIRES 3 PEOPLE.
DO NOT ATTEMPT ALONE. EXTREMELY
HEAVY.**

- a. Position the Top Lid and Burner Box Assembly (A and B) onto Cart Assembly (C), as shown.




- b. Assemble Burner Box Assembly (A and B) to the Left and Right Cart Side Panels (EA and EB), as shown.

YOU WILL NEED:

2	6	7
		
X 4	X 4	X 4

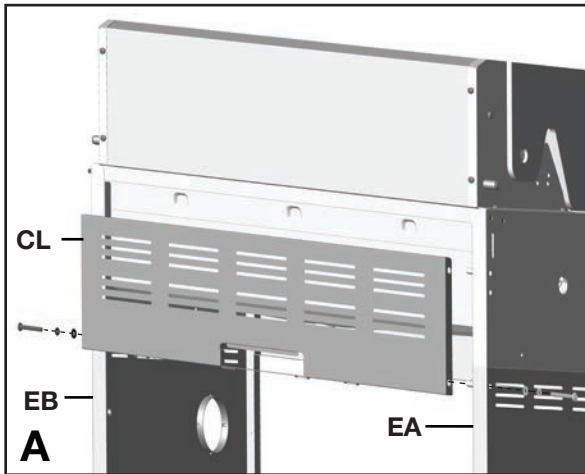
- c. Assemble the front of the Burner Box Assembly (A and B) to the Front Brace (CJ), as shown.

YOU WILL NEED:

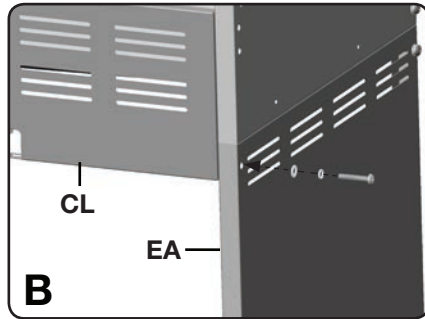
1	6	7
		
X 2	X 2	X 2

ASSEMBLY INSTRUCTIONS

5.



Back view






Close up

Attach the Upper Back Panel (CL) to both the Left and Right Cart Side Panels (EA and EB).

Only install hardware in the bottom portion of the Upper Back Panel (CL), as shown in figure B.

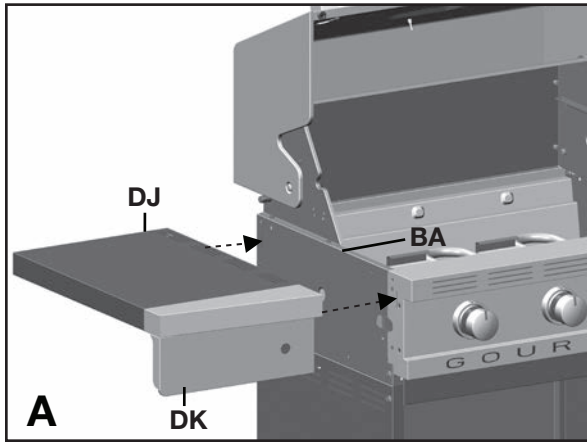
DO NOT TIGHTEN SCREWS UNTIL SIDE SHELF HAS BEEN INSTALLED.

YOU WILL NEED:

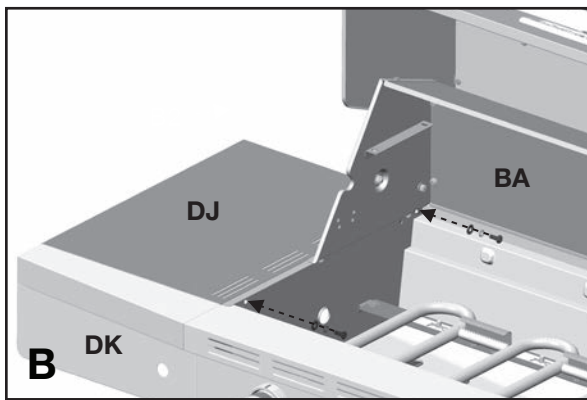
1	6	7
		
X 2	X 2	X 2

ASSEMBLY INSTRUCTIONS

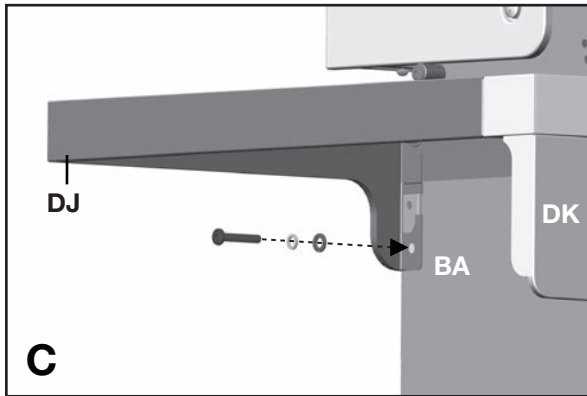
6.



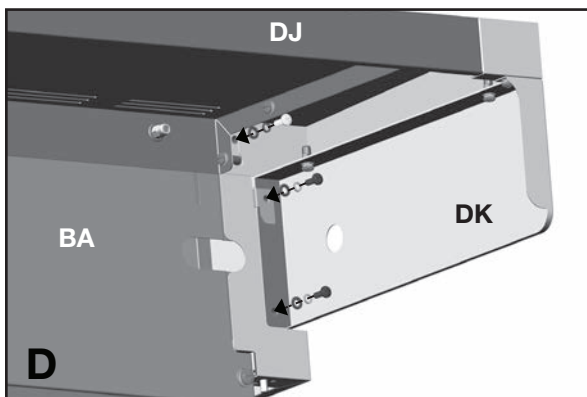
Front, left side view



View inside burner box



View under left side shelf (back)






View under left side shelf (front)

a. Open the Lid. Assemble the Left Side Shelf Assembly (DJ and DK) to the Cart Assembly by inserting the Side Shelf tabs into holes on the Cart Assembly (figure A).




b. Secure using hardware, as shown in figure B, C and D.

YOU WILL NEED:




2	6	8
		
X 2	X 2	X 2

TIP: Ensure that the rubber side of the rubberized washer makes contact with the burner box.

YOU WILL NEED:

1	6	7
		
X 1	X 1	X 1

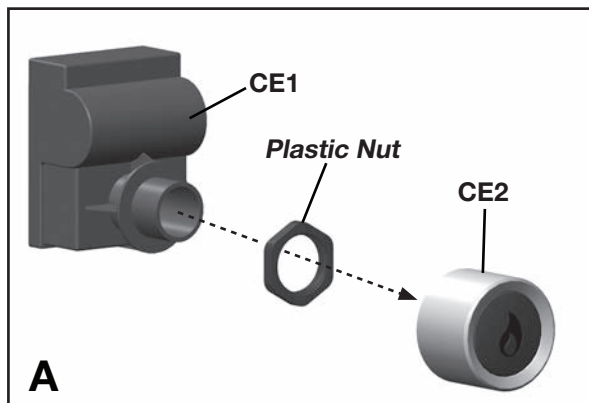
YOU WILL NEED:

3	9	10
		
X 3	X 3	X 3

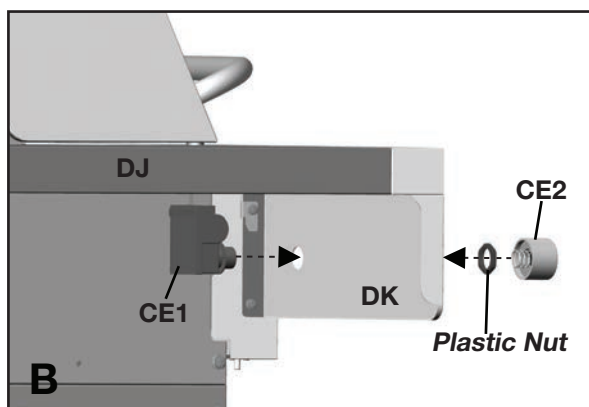
NOTE: Beware of sharp edges.

ASSEMBLY INSTRUCTIONS

7.

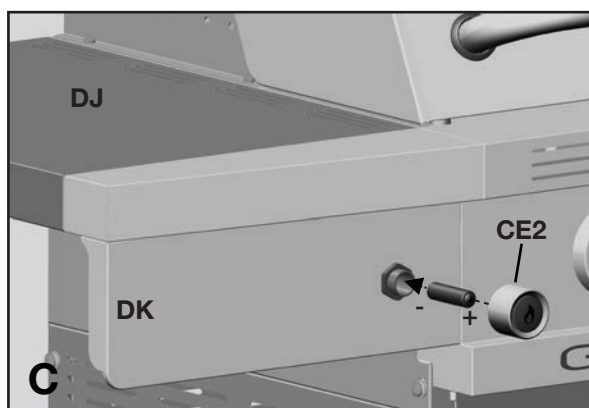


- a. Remove the Electronic Ignition Battery Cap (CE2) and the plastic nut from the Electronic Ignition Assembly (CE1).



- b. Feed the Electronic Ignition Assembly (CE1) through the opening in the Left Side Shelf Fascia (DK) and secure using the nut.

Left side view

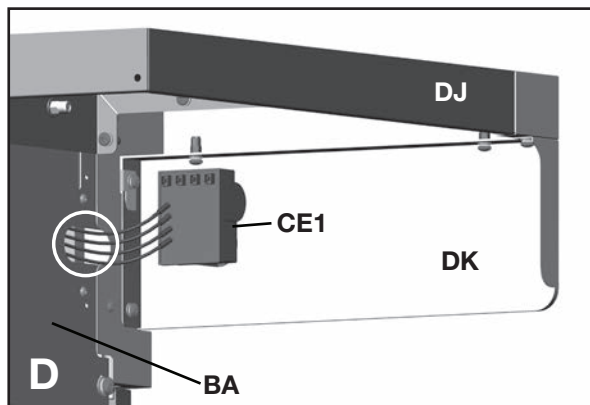


- c. Insert one "AA" battery into the battery compartment with the positive end facing outward, as shown. Secure using the Electronic Ignition Battery Cap (CE2).

Front, left side view

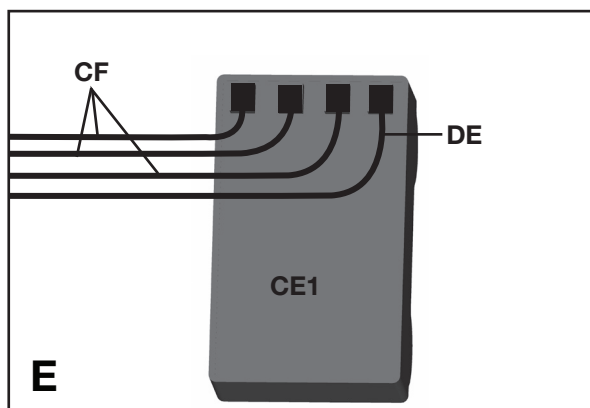
ASSEMBLY INSTRUCTIONS

7.



View under left side shelf

TIP: The Electrode set for Main Burner (CF), the Electrode wire for Infrared Zone (DE) can be found fastened together hanging from the left side of the Control Panel on the outside of the burner box (BA) as shown.

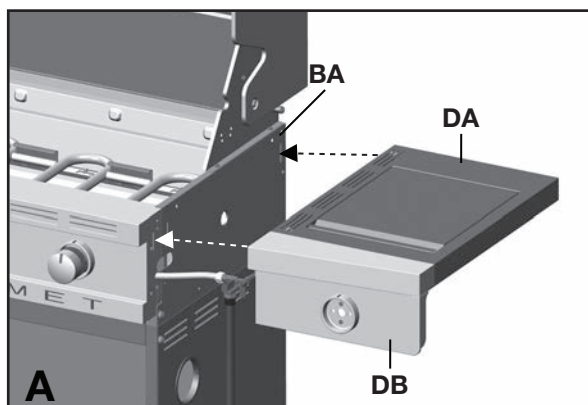


d. Insert all Electrode wires (CF, DE) into the Electronic Ignition Assembly (CE1), as shown in figure E.

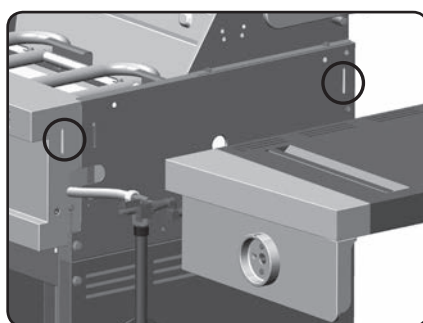
NOTE: All main burner and side burner electrode wire connection points are the same size.

ASSEMBLY INSTRUCTIONS

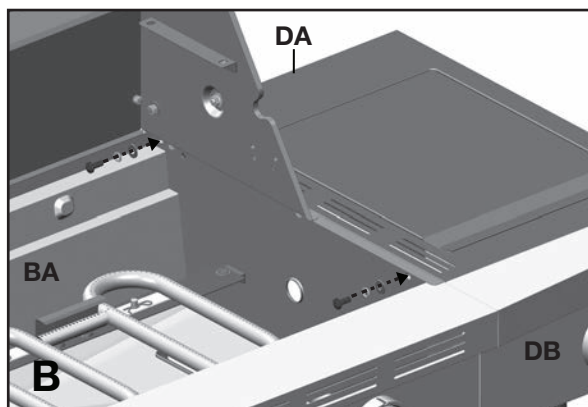
8.



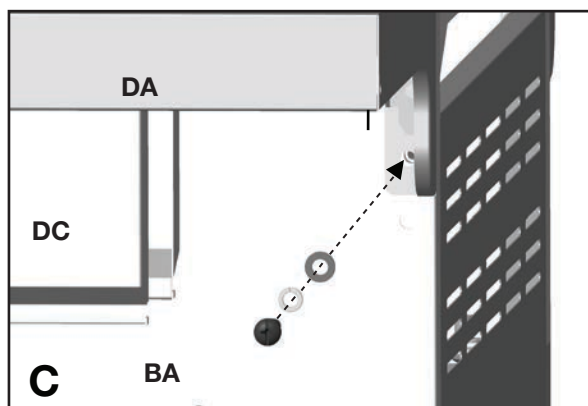
Front, right side view



Close up



View inside burner box






View under right side shelf (back)

a. Open the lid. Assemble the Right Side Shelf Assembly (DA and DB) to the Cart Assembly by inserting the Side Shelf tabs into the holes on the Cart Assembly (figure A).




b. Secure using hardware, as shown in figure B, C and D.

YOU WILL NEED:

2	6	8
		
X 2	X 2	X 2

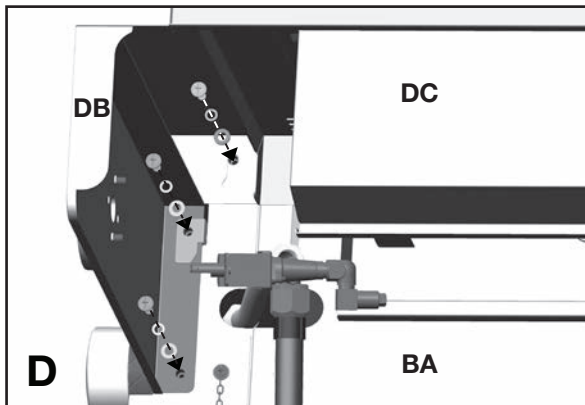
TIP: Ensure that the rubber side of the rubberized washer makes contact with the burner box.

YOU WILL NEED:

1	6	7
		
X 1	X 1	X 1

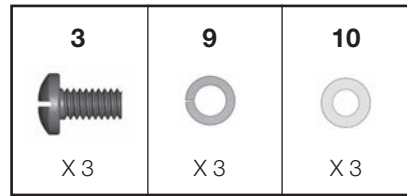
ASSEMBLY INSTRUCTIONS

8.



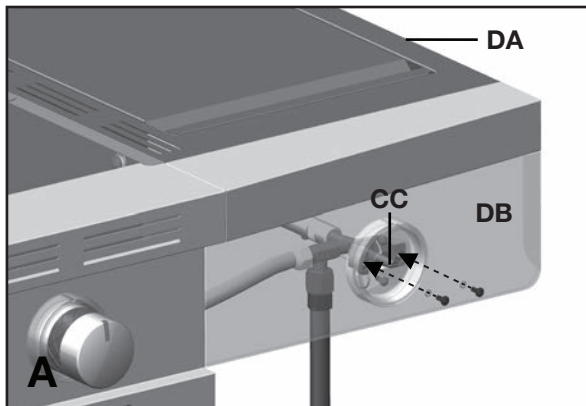
View under right side shelf (front)

YOU WILL NEED:



NOTE: Beware of sharp edges.

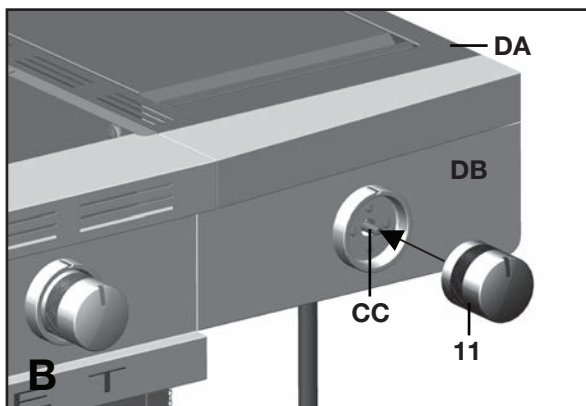
9.



Front, right side view

a. Remove the hardware that is pre-assembled to the Infrared Side Burner Valve (CC), as shown in figure A.

b. Insert the Infrared Side Burner Valve stem (CC) through the rear of the Right Side Shelf Fascia (DB). Assemble the Side Burner Valve (CC) to the Side Shelf Fascia (DB), using the hardware removed (figure A).



Front, right side view

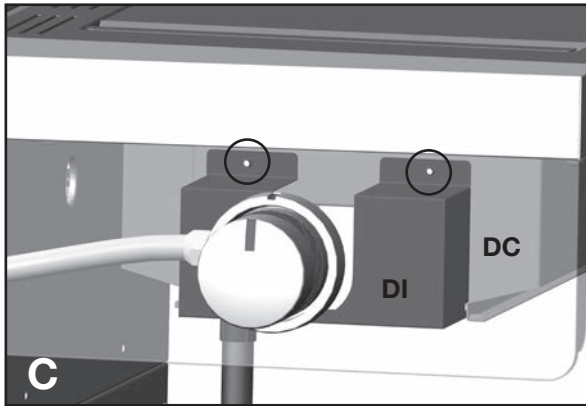
c. Assemble the Side Burner Control Knob (#11) to the Infrared Side Burner Valve (CC) (figure B).

YOU WILL NEED:

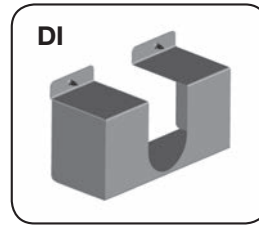


ASSEMBLY INSTRUCTIONS

9.

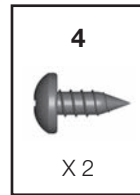


Front, right side view

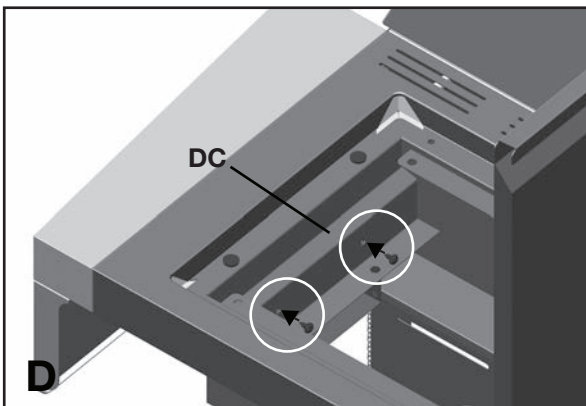


d. Assemble the Infrared Side Burner Wind Shield (DI) to the Infrared Support Frame (DC), as shown in figure C and D.

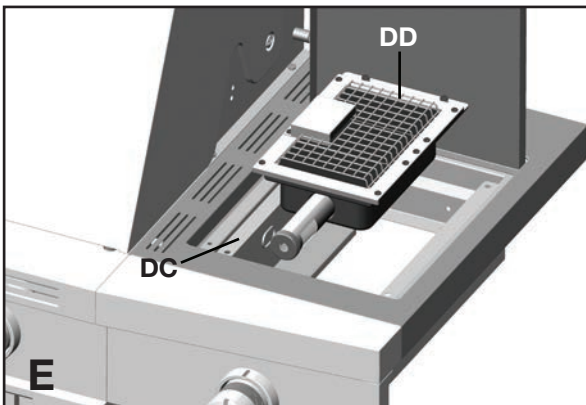
YOU WILL NEED:



NOTE: Two people recommended.

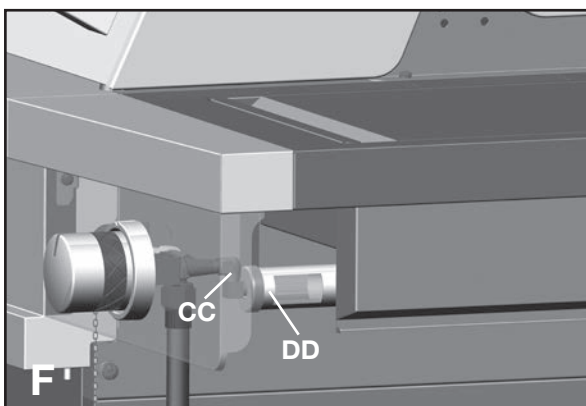


View from above right side shelf



Front, right side view

e. Position the Infrared Zone Side Burner (DD) through the opening in the Infrared Support Frame (DC).

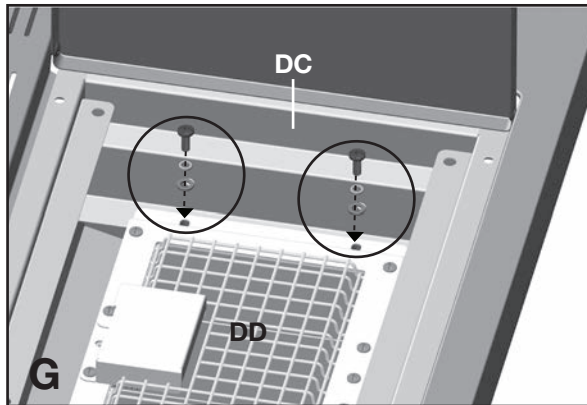


View from underneath right side shelf

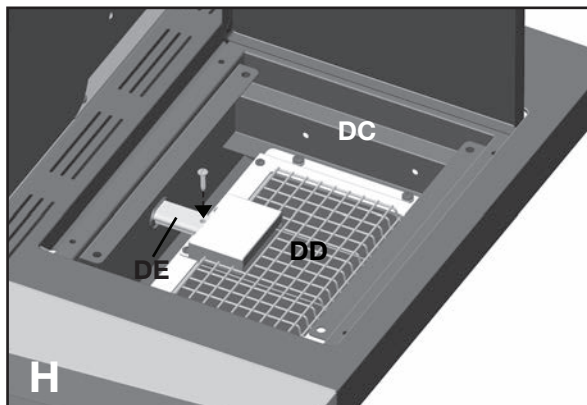
f. Make sure that the Infrared Zone Side Burner (DD) engages the Side Burner Valve (CC) gas jet, as shown in figure F.

ASSEMBLY INSTRUCTIONS

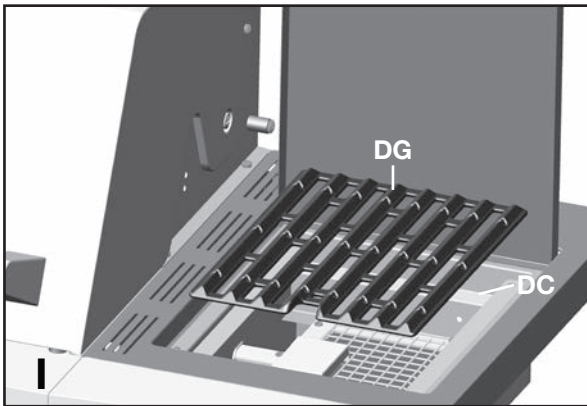
9.



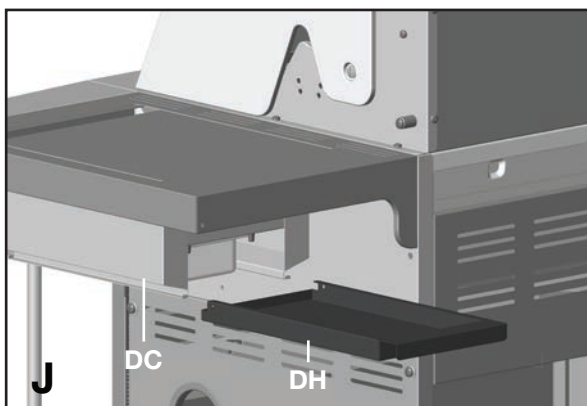
View from above right side shelf



View from above right side shelf






Front, right side view



Back, right side view


g. Assemble the Infrared Zone Side Burner (DD) to the Infrared Zone Support Frame (DC), at the 2 points indicated in figure G.

YOU WILL NEED:

3	9	10
		
X 2	X 2	X 2

h. Feed the Infrared Zone Electrode set (DE) from underneath the Infrared Zone Side Burner (DD), through the small opening on the left side of the Infrared Zone Support Frame (DC). Align and assemble the electrode using the self tapping screw provided, as shown in figure H.

YOU WILL NEED:

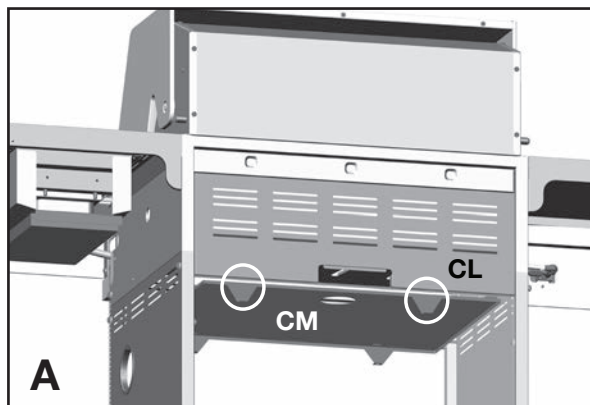
5

X 1

i. Position the Infrared Zone Cooking Grate (DG) on the Infrared Zone Support Frame (DC).

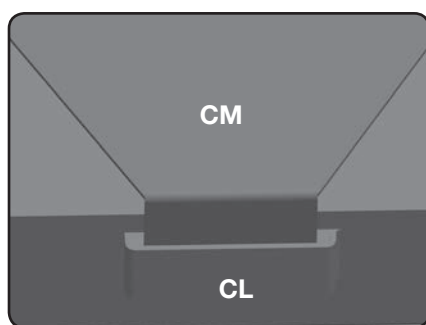
j. Insert the Infrared Grease Tray (DH) into the back of the Infrared Zone Support Frame (DC), as shown.

ASSEMBLY INSTRUCTIONS

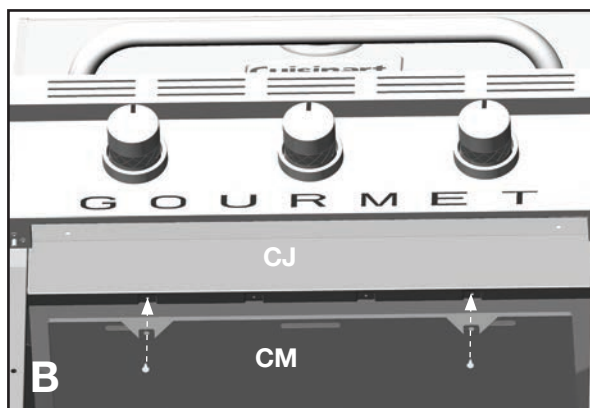
10.



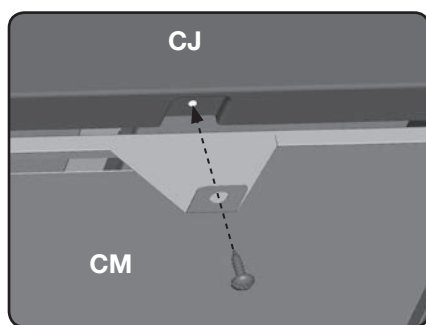
Back view



Close up, back



Front view

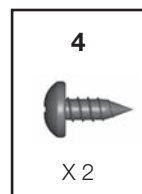


Close up, front

- a. Position the Heat Shield (CM) into the two hooks located on the bottom of the Upper Back Panel (CL), as shown in figure A.

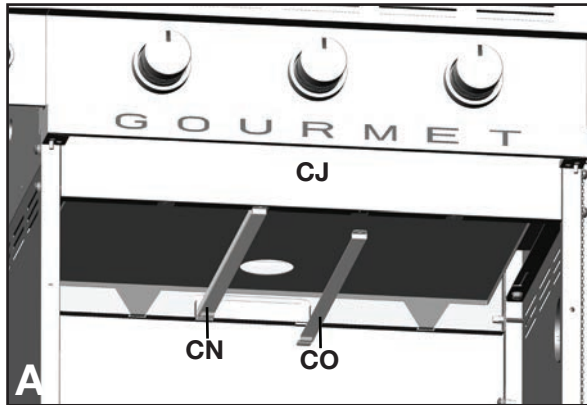
- b. Assemble the Heat Shield (CM) to the bottom of the Front Brace (CJ), as shown in figure B.

YOU WILL NEED:

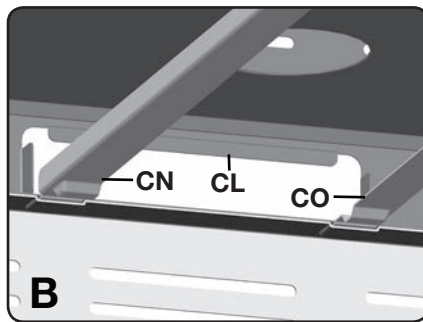


ASSEMBLY INSTRUCTIONS

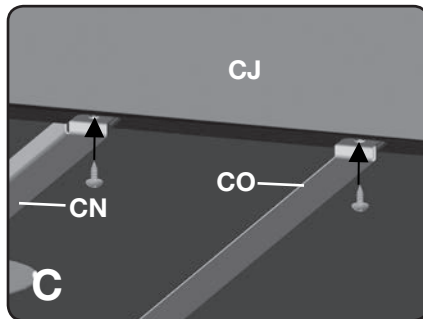
11.



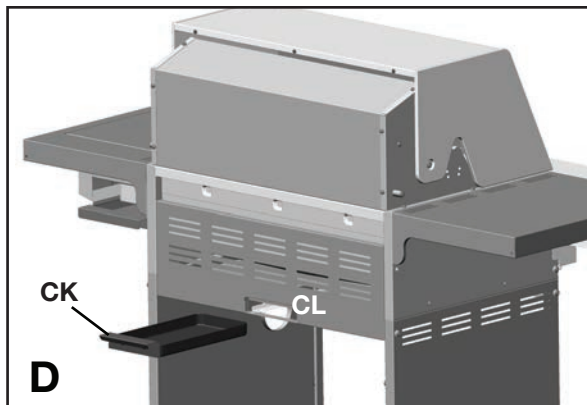
Front view



Close up, back



Close up, front



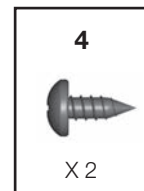
Back view

a. Assemble the Left and Right Tracks (CN and CO) for the Grease Tray (CK), as shown in figure A-C.

b. Both the Left and Right Tracks (CN and CO) should be inserted into the two clips located on the Upper Back Panel (CL), as shown in figure B.

c. Assemble the front of the Left and Right Tracks (CN and CO) to the Front Brace (CJ), as shown in figure C.

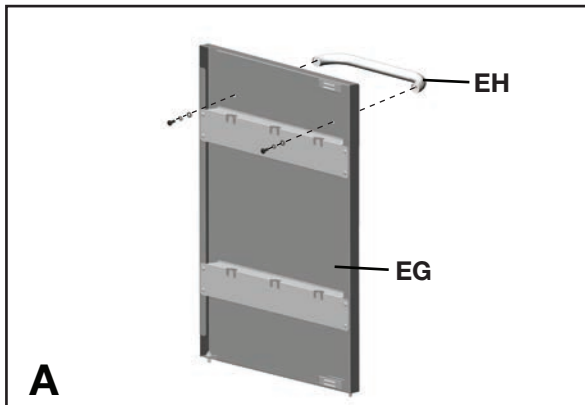
YOU WILL NEED:



d. Insert the Grease Tray (CK) into the opening of the Upper Back Panel (CL).




ASSEMBLY INSTRUCTIONS

12.

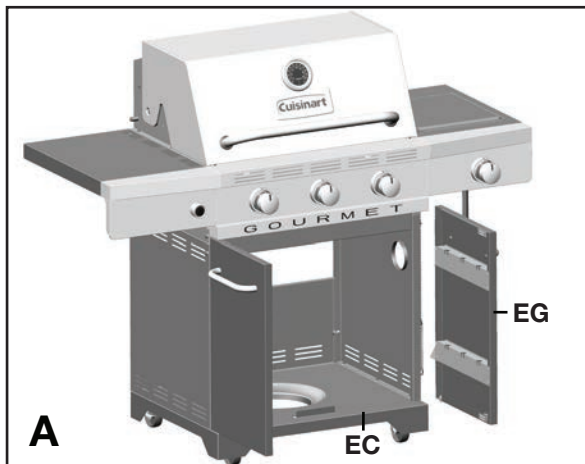


Assemble the Door Handle (EH) to the Left and Right Door Assembly (EF and EG) as shown in figure A.

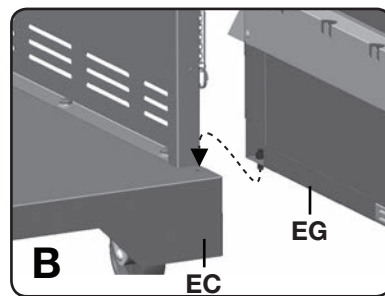
YOU WILL NEED:

3	9	10
		
X 4	X 4	X 4

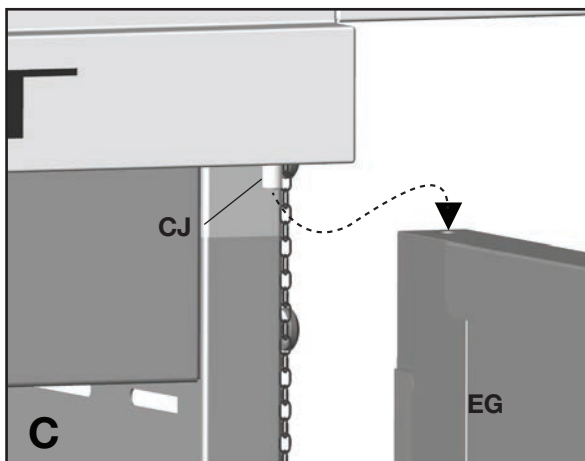
13.



a. Assemble the Right Door Assembly (EG), to the Bottom Shelf (EC) by inserting the fixed pin (bottom of door) into the hole provided (figure B).



Bottom of door



Top of door

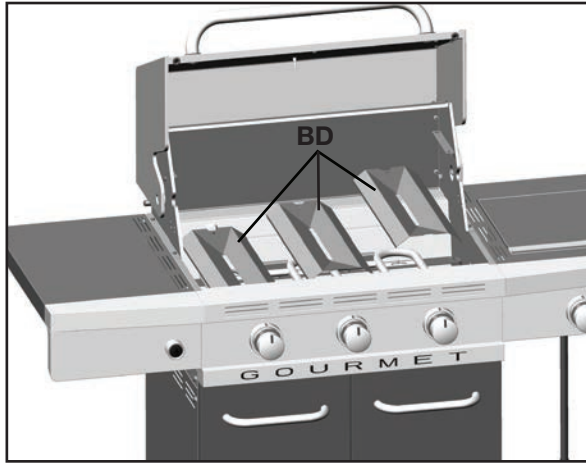
b. Assemble the top of the Door Assembly (EG) to the Front Brace (CJ), by pressing in the door support pin and aligning with the hole located on the top right corner of the door.

TIP: Use a paint scraper to press-in the support pin, while the second person aligns the door. The support pin will lock into position when the door is assembled correctly.

c. Repeat steps a and b for the Left Door Assembly (EF).

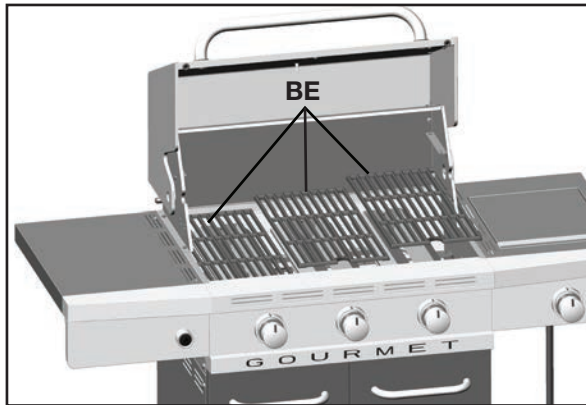
ASSEMBLY INSTRUCTIONS

14.



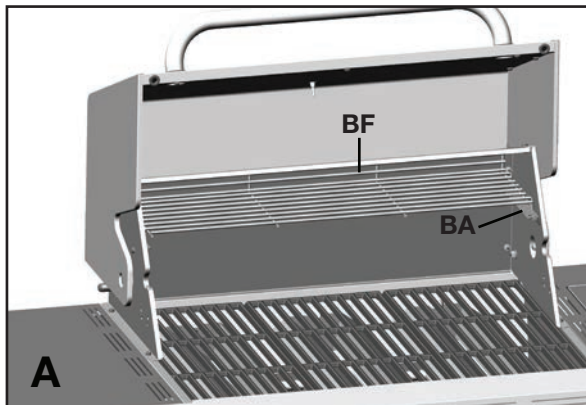
Place the Flame Tamers (BD) into the Burner Box (BA).

15.

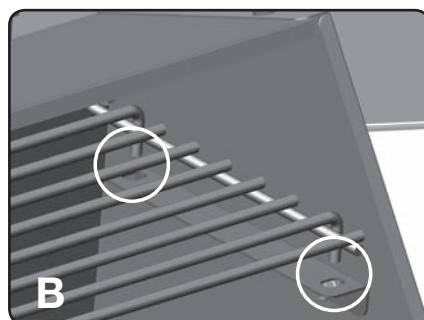


a. Place the Cooking Grates (BE) into the Burner Box (BA), as shown.

16.



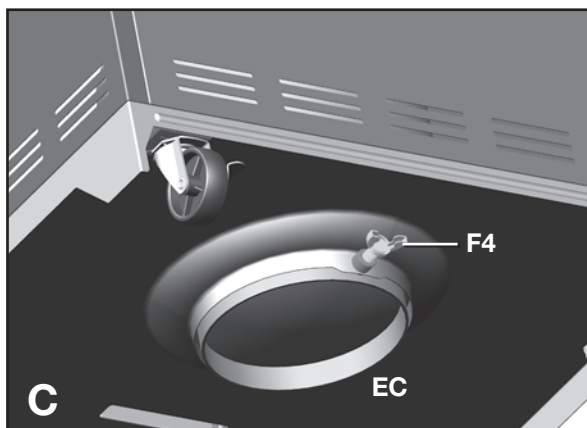
b. Assemble the Warming Rack (BF) by inserting the fixed pins into the warming rack support bars located on the Burner Box (BA), as shown in figure A and B.



Close up

ASSEMBLY INSTRUCTIONS

17.



FOR PROPANE MODELS ONLY.

For natural gas model, follow step 18.

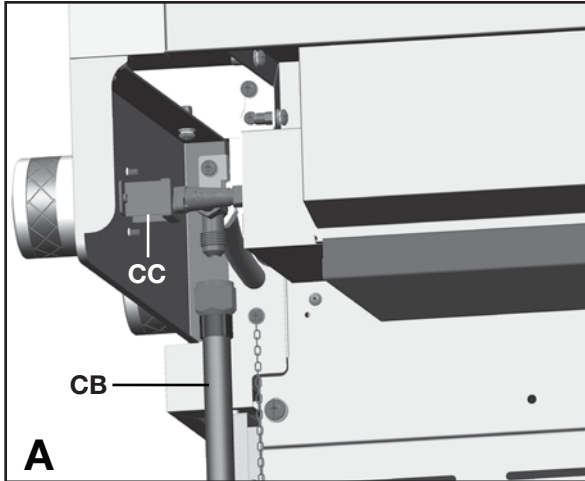
- Position the Regulator Hose (CB) through the hole in the Right Side Panel (EB).
- Position the 20 lb propane tank onto the Bottom Shelf (EC), and secure using the Bolt (F4) (already attached) located on the underside of the Bottom Shelf, as shown in figure C.
- Attach the regulator coupling nut to the LP cylinder valve. Be careful not to cross thread. Hand tighten only.
- Perform Leak Test. See page 5 of the Cuisinart® Safety and Care Manual.

⚠ ATTENTION: For your families safety, do not attempt to light this BBQ until you have reviewed pages 4-7 of the Cuisinart® Safety & Care Manual.
All Safety and Leak Test MUST BE PERFORMED BY THE END USER, prior to lighting this BBQ.

⚠ WARNING Do not store extra propane tanks within BBQ cart.

ASSEMBLY INSTRUCTIONS

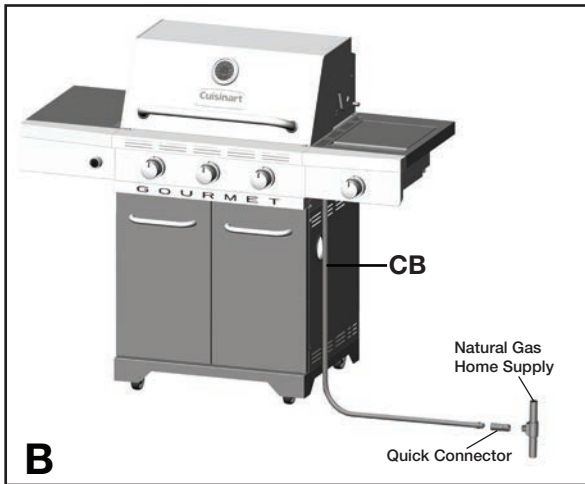
18.



FOR NATURAL GAS MODEL ONLY.

- Attach the Natural Gas Hose (CB) to the Side Burner Valve (CC) as shown, and wrench tighten.
- Perform Leak Test. See page 6 of the Cuisinart® Safety and Care Manual.

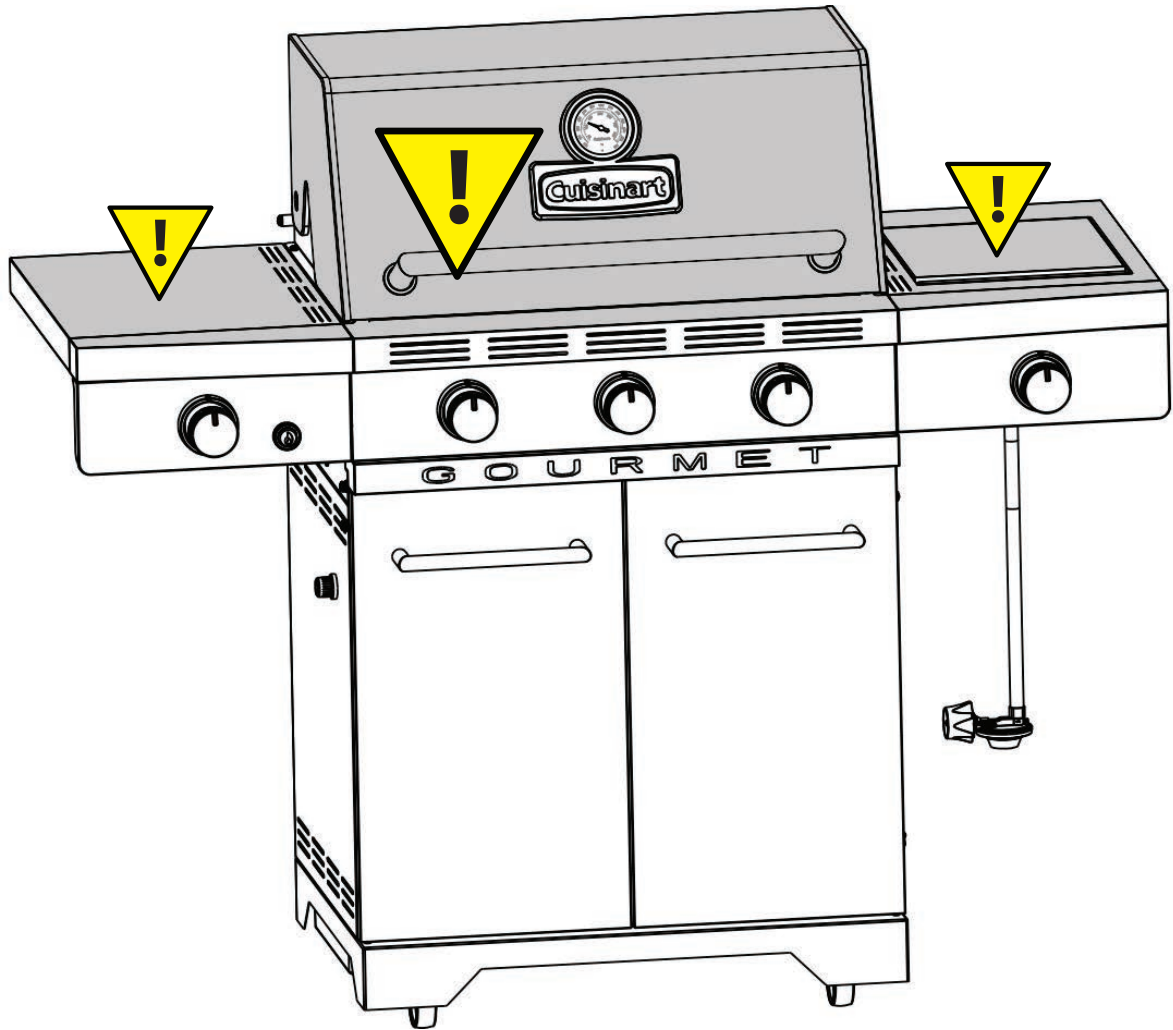
⚠ ATTENTION: In order to complete installation of your Natural Gas BBQ a 1/2" or 3/8" adapter may be required to connect your BBQ's Natural Gas hose to your home gas supply. Contact your Natural Gas supplier to purchase the necessary part.



⚠ ATTENTION: For your families safety, do not attempt to light this BBQ until you have reviewed pages 4-7 of the Cuisinart® Safety & Care Manual. **All Safety and Leak Test MUST BE PERFORMED BY THE END USER, prior to lighting this BBQ.**

⚠ WARNING: For all new, at home, natural gas connections please contact a certified gas technician to install your natural gas barbecue.

⚠ WARNING HOT SURFACES



- **CAUTION!**
- **AVOID BURNS!**
- **DO NOT TOUCH WHEN BBQ IS IN USE!**
- **EXTREMELY HOT SURFACE!**
- * **SHADED AREAS BECOME EXTREMELY HOT WHEN IN USE.**

Cuisinart®

Visit www.cuisinartbbqs.com
to complete product registration.

Cuisinart® Gourmet Barbecues Customer Service:
1-800-309-3452

Join the conversation



facebook.com/cuisinartbbqs



twitter.com/cuisinartbbqs