

Cuisinart® ASSEMBLY MANUAL



Cuisinart® CERAMIC SMALL SPACES

85-3112-4 (G35801) Propane
85-3113-2 (G35802) Natural Gas

READ AND SAVE MANUAL FOR FUTURE REFERENCE.

Assemble your grill immediately.

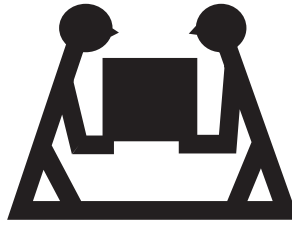
Missing or damaged parts should be claimed within 30 days of purchase.

For product inquiries, parts, warranty and troubleshooting support, please call 1-800-309-3452.

www.cuisinartbbqs.com

LIMITED 5-YEAR WARRANTY

Manual Revision #: 10142016.AT



HEAVY ARTICLE NEEDS 2 TO LIFT

THIS MANUAL MUST REMAIN WITH THE PRODUCT AT ALL TIMES

To ORDER non-warranty replacement parts or accessories,
or to register your warranty, please visit us on the web at
www.cuisinartbbqs.com

⚠ CAUTION

Sharp edges. Wear gloves when assembling your grill.

⚠ CAUTION

Read and follow all safety statements, assembly instructions, use and care directions before attempting to assemble and cook.

⚠ INSTALLER OR ASSEMBLER/CONSUMER

This manual should be kept with the BBQ at all times.

⚠ WARNING

Failure to follow all of the Manufacturer's instructions could result in hazardous fires, explosions, property damage, or serious personal injury or even death.

Follow all leak check procedures carefully prior to operation of barbecue, even if grill was dealer assembled. Do not try lighting this BBQ without reading the Lighting Instructions section of the Safety and Care Manual that accompanies this grill.

⚠ DANGER

1. If you smell Gas:
 - a. Shut off gas to the appliance
 - b. Extinguish any open flame
 - c. Open lid
 - d. If odor continues, keep away from the appliance and immediately call your gas supplier or your fire department
2. Do not store or use gasoline or other flammable liquids or vapours in the vicinity of this or any other appliance.
3. An LP cylinder not connected for use shall not be stored in the vicinity of this or any other appliance.

⚠ DANGER

1. Do not store or use gasoline or other flammable liquids or vapours in the vicinity of this or any other appliance.
2. An LP cylinder not connected for use shall not be stored in the vicinity of this or any other appliance.

⚠ CAUTION

Avoid burns. The stainless steel and steel surfaces of this barbecue can become extremely hot, in direct sun and while the barbecue is in operation.

THIS BARBECUE IS FOR OUTDOOR USE ONLY

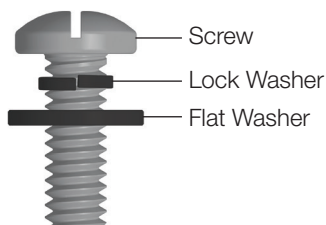
CUISINART® CUSTOMER CARE HOTLINE
1-800-309-3452

HARDWARE PACK

Tools Needed for Assembly

- #2 Phillips screwdriver (long and short)
- 1/4" Slotted screwdriver (long and short)
- Adjustable wrench
- Pliers
- Rubber Mallet



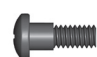







For correct hardware assembly, always position the lock washer between the screw and the flat washer.



Note: Do not fully tighten all the nuts during this initial stage

No.	Description	Part Number	Qty.
1	1/4"-20UNCx50 Screw	20120-13050-250	12
2	1/4"-20UNCx16 Screw	20120-13016-250	14
3	1/4"-20UNC Screw	G358-0022-9000	8
4	NO.10-24UNC x13 Screw	20124-10013-250	22
5	ST4.2X10 Tapping Screw	22500-42010-137	4
6	φ7 Lock Washer	41400-07000-250	26
7	φ7 Washer	40300-07000-250	26
8	φ5 Lock Washer	41400-05000-250	22
9	φ5 Washer	40300-05000-250	22
10	U-Pin Tool	G350-0026-9000	1

⚠ Caution:
Sheet metal can cause injury. Wear gloves when installing this grill.

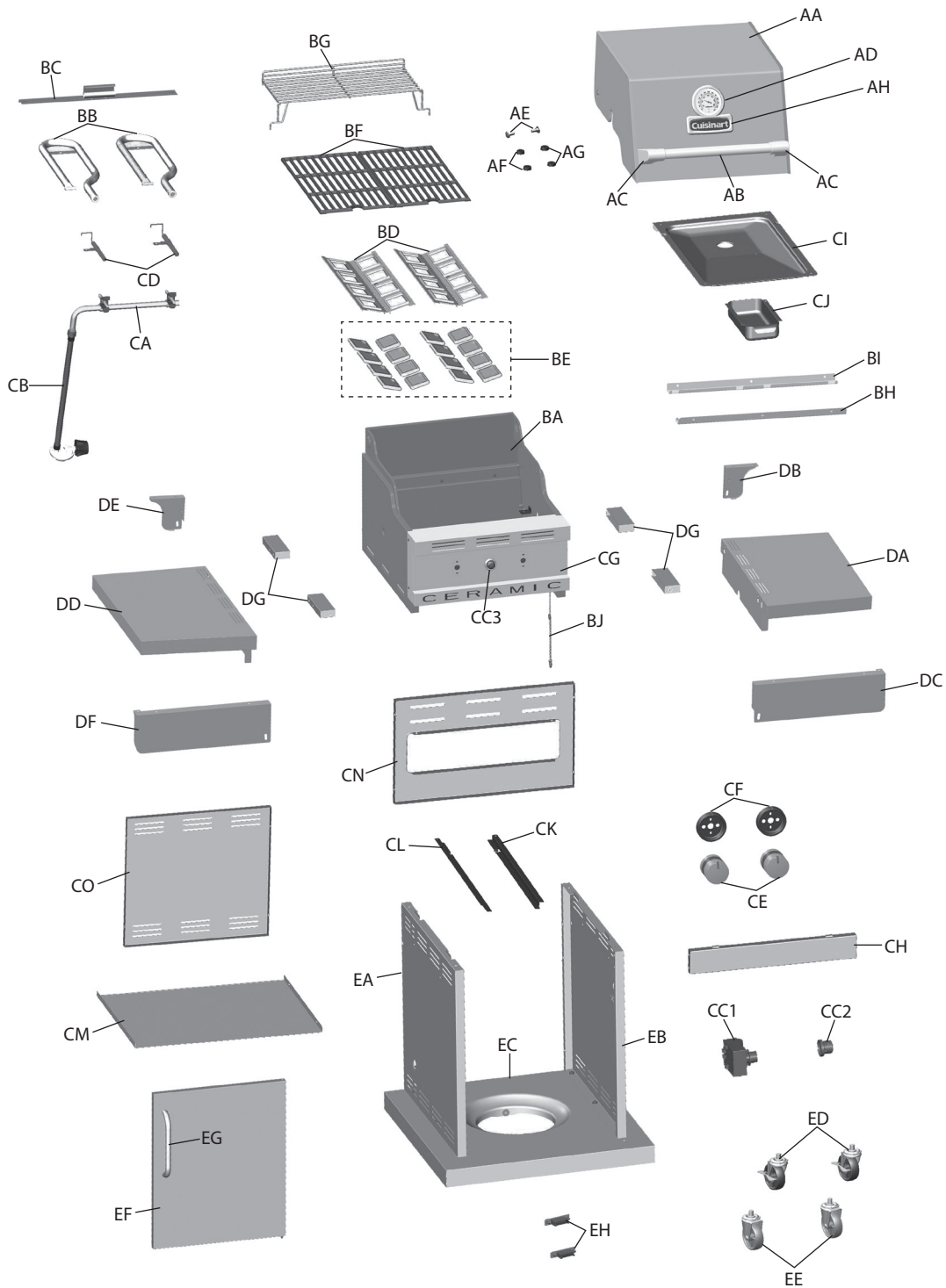
1		1/4"-20UNCx50 Screw X 12	2		1/4"-20UNCx16 Screw X 14	3		1/4"-20UNC Screw X 8
4		NO.10-24UNC x13 Screw X 22	5		ST4.2X10 Tapping Screw X 4	6		φ7 Lock Washer X 26
7		φ7 Washer X 26	8		φ5 Lock Washer X 22	9		φ5 Washer X 22
10		U-Pin Tool X 1						

BEFORE ASSEMBLING THE BARBECUE, READ THESE INSTRUCTIONS CAREFULLY.
Assemble the barbecue on a flat, clean surface. Grill is heavy. Two people are recommended to complete assembly.

PARTS LIST (PROPANE) FOR 85-3112-4 (G35801)

Item No.	Qty.	Description	Part No.	Item No.	Qty.	Description	Part No.
AA	1	Top Lid	G358-2000-01	DA	1	Side Shelf Table - Right	G358-0700-01
AB	1	Lid Handle	G358-0003-01	DB	1	Side Shelf Rear Brace - Right	G358-0018-01
AC	2	Lid Handle End Cap	G358-0004-01	DC	1	Side Shelf Fascia - Right	G358-0017-01
AD	1	Thermometer	G512-0085-01	DD	1	Side Shelf Table - Left	G358-0600-01
AE	2	Screw for Top Lid	G359-0030-01	DE	1	Side Shelf Rear Brace - Left	G358-0016-01
AF	2	Lid Bumper, Front	G527-0002-02	DF	1	Side Shelf Fascia - Left	G358-0015-01
AG	2	Lid Bumper, Rear	G508-0033-01	DG	4	Support Bracket, Side Shelf	G358-0014-01
AH	1	Logo	G358-0002-01				
BA	1	Burner Box Assembly	G358-3100-01	EA	1	Cart Side Panel - Left	G358-0009-01
BB	2	Main Burner	G525-3800-02	EB	1	Cart Side Panel - Right	G358-0010-01
BC	1	Carryover Assembly	G358-0400-01	EC	1	Bottom Shelf - LP	G358-0500-01
BD	2	3-Pc. Stainless Steel Radiant	G618-0056-01	ED	2	Wheel with Lock	G350-0023-01
BE	16	Ceramic Stone	G535-0045-01	EE	2	Wheel	G350-0024-01
BF	2	Cooking Grate, Burner Box	G525-0016-01	EF	1	Door Assembly	G358-8000-01
BG	1	Warming Rack	G353-0026-01	EG	1	Door Handle	G517-0011-01
BH	1	Heat Plate Brace, Front	G358-0006-01	EH	2	Door Magnet Assembly	G501-00F2-03
BI	1	Heat Plate Brace, Back	G358-0021-01				
BJ	1	Match holder	G608-0019-01	F1	1	Hardware Pack	G358-B001-01
CA	1	Manifold assembly - LP	G358-4100-01	F2	1	Assembly Manual	G358-M001-01
CB	1	Regulator	G513-0017-01	F3	1	Safety and Care Manual	G358-M001-02
CC1	1	Electronic Ignition Assembly	G350-0017-01	F4	1	Tank Screw	G505-0047-01
CC2	1	Electronic Ignition Battery Cap	G515-0030-01	F5	1	Ceramic Heat Plate Guide	G618-M003-02
CC3	1	Multi-Spark™ Ignition	G525-0028-01				
CD	2	Electrode Set, Main Burner	G525-0030-03				
CE	2	Control Knob	G618-0014-01				
CF	2	Bezel, Control Knob	G525-0012-01				
CG	1	Control Panel	G358-0008-01				
CH	1	Front Brace	G358-0011-01				
CI	1	Grease Tray	G358-0800-01				
CJ	1	Grease Cup	G416-0015-01				
CK	1	Right Track	G522-0043-01				
CL	1	Left Track	G522-0027-01				
CM	1	Heat Shield	G353-0021-01				
CN	1	Upper Back Panel	G358-0012-01				
CO	1	Lower Back Panel	G358-0013-01				

EXPLODED DIAGRAM (PROPANE) FOR 85-3112-4 (G35801)



EXTRAS

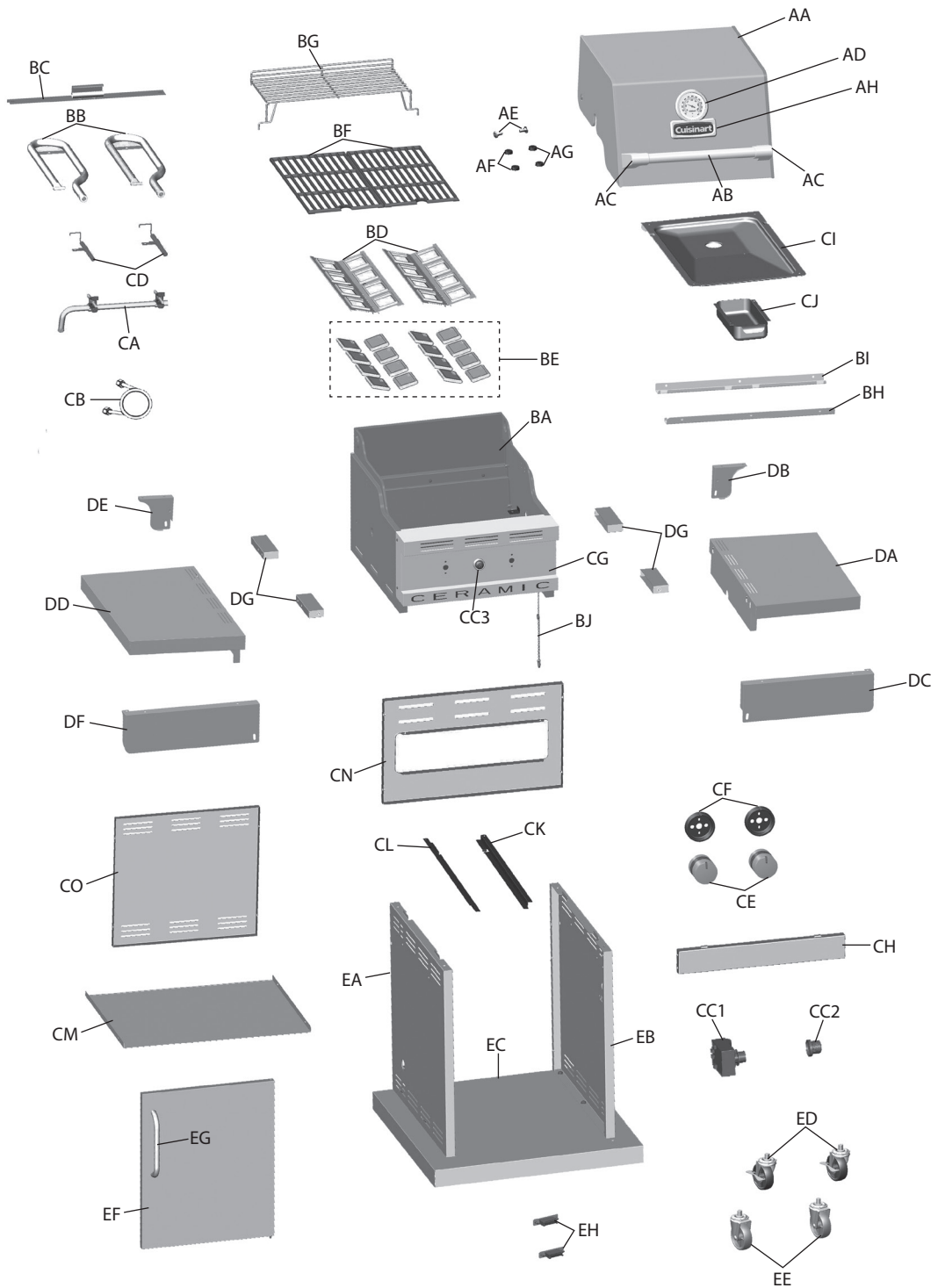
Hardware Pack F1	Assembly Manual F2	Safe Use & Care Manual F3	Tank Screw F4	Ceramic Heat Plate Guide F5
----------------------------	------------------------------	-------------------------------------	-------------------------	---------------------------------------

PARTS LIST (NATURAL GAS) FOR 85-3113-2 (G35802)

Item No.	Qty.	Description	Part No.
AA	1	Top Lid	G358-2000-01
AB	1	Lid Handle	G358-0003-01
AC	2	Lid Handle End Cap	G358-0004-01
AD	1	Thermometer	G512-0085-01
AE	2	Screw for Top Lid	G359-0030-01
AF	2	Lid Bumper, Front	G527-0002-02
AG	2	Lid Bumper, Back	G508-0033-01
AH	1	Logo	G358-0002-01
BA	1	Burner Box Assembly	G358-3100-01
BB	2	Main Burner	G525-3800-02
BC	1	Carryover Assembly	G358-0400-01
BD	2	3-Pc. Stainless Steel Radiant	G618-0056-01
BE	16	Ceramic Stone	G535-0045-01
BF	2	Cooking Grate, Burner Box	G525-0016-01
BG	1	Warming Rack	G353-0026-01
BH	1	Heat Plate Brace, Front	G358-0006-01
BI	1	Heat Plate Brace, Back	G358-0021-01
BJ	1	Match holder	G608-0019-01
CA	1	Manifold assembly - NG	G358-4300-01
CB	1	Natural Gas Hose	G501-0099-01
CC1	1	Electronic Ignition Assembly	G350-0017-01
CC2	1	Electronic Ignition Battery Cap	G515-0030-01
CC3	1	Multi-Spark™ Ignition	G525-0028-01
CD	2	Electrode Set, Main Burner	G525-0030-03
CE	2	Control Knob	G618-0014-01
CF	2	Bezel, Control Knob	G525-0012-01
CG	1	Control Panel	G358-0008-01
CH	1	Front Brace	G358-0011-01
CI	1	Grease Tray	G358-0800-01
CJ	1	Grease Cup	G416-0015-01
CK	1	Right Track	G522-0043-01
CL	1	Left Track	G522-0027-01
CM	1	Heat Shield	G353-0021-01
CN	1	Upper Back Panel	G358-0012-01
CO	1	Lower Back Panel	G358-0013-01

Item No.	Qty.	Description	Part No.
DA	1	Side Shelf Table - Right	G358-0700-01
DB	1	Side Shelf Rear Brace - Right	G358-0018-01
DC	1	Side Shelf Fascia - Right	G358-0017-01
DD	1	Side Shelf Table - Left	G358-0600-01
DE	1	Side Shelf Rear Brace - Left	G358-0016-01
DF	1	Side Shelf Fascia - Left	G358-0015-01
DG	4	Support Bracket, Side Shelf	G358-0014-01
EA	1	Cart Side Panel - Left	G358-0009-01
EB	1	Cart Side Panel - Right	G358-0010-01
EC	1	Bottom Shelf - NG	G358-0900-01
ED	2	Wheel with Lock	G350-0023-01
EE	2	Wheel	G350-0024-01
EF	1	Door Assembly	G358-8000-01
EG	1	Door Handle	G517-0011-01
EH	2	Door Magnet Assembly	G501-00F2-03
F1	1	Hardware Pack	G358-B001-01
F2	1	Assembly Manual	G358-M001-01
F3	1	Safety and Care Manual	G358-M001-02
F4	1	Ceramic Heat Plate Guide	G618-M003-02

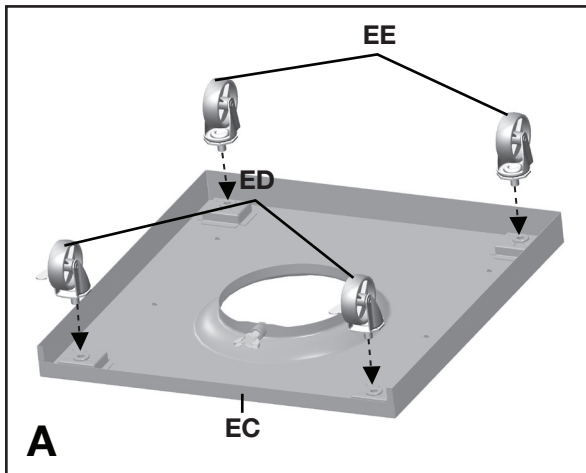
EXPLODED DIAGRAM (NATURAL GAS) FOR 85-3113-2 (G35802)



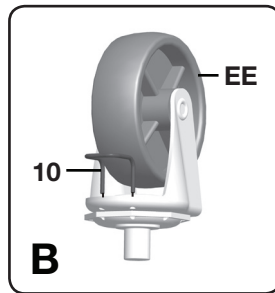
EXTRAS			
Hardware Pack F1	Assembly Manual F2	Safe Use & Care Manual F3	Ceramic Heat Plate Guide F4

ASSEMBLY INSTRUCTIONS

1.



Back view



Close up

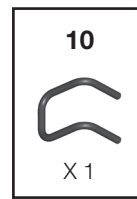
Separate the 2 different types of Wheels, 2 Locking Wheels (ED) and 2 Regular Wheels (EE).

Insert the U Pin Tool (#10) into one of the Regular Wheels (EE), as shown in image B. Attach the Regular Wheel (EE) to the front of the Bottom Shelf (EC), and use the U Pin Tool (#10) to secure and tighten.

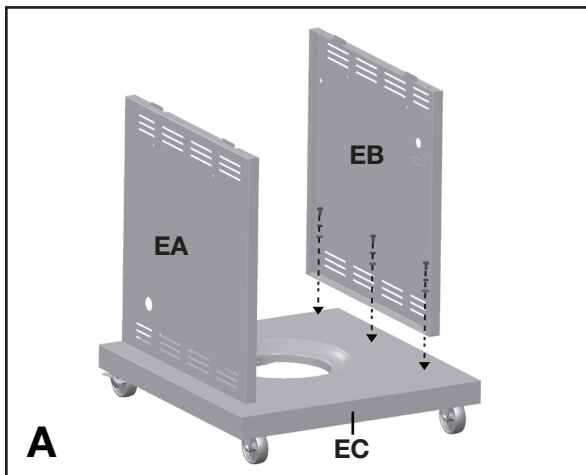
Repeat for remaining 3 wheels (EE and ED).

NOTE: Regular Wheels (EE) need to be assembled to the front of the Bottom Shelf (EC), and Wheels with Lock (ED) need to be assembled to the back of the Bottom Shelf (EC), as shown in image A.

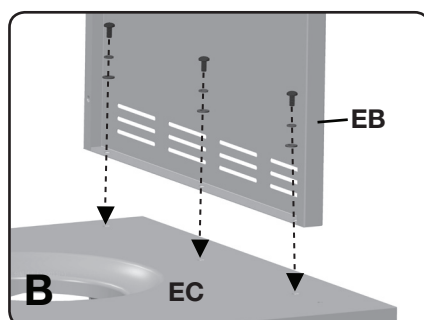
YOU WILL NEED:



2.



Front view

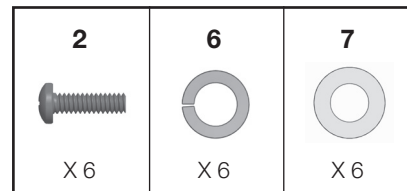


Close up

Ensure that the wheels are firmly locked in the "ON" position before continuing.

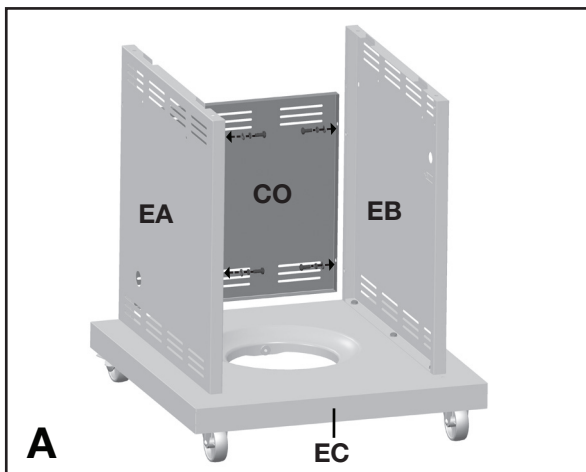
Assemble the Left Cart Side Panel (EA) and the Right Cart Side Panel (EB) to the Bottom Shelf (EC).

YOU WILL NEED:

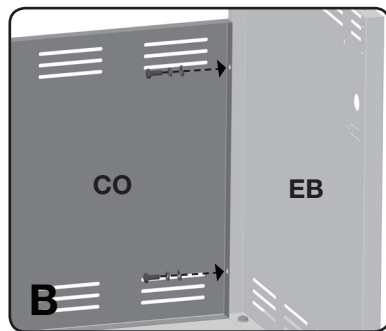


ASSEMBLY INSTRUCTIONS

3.






Front View



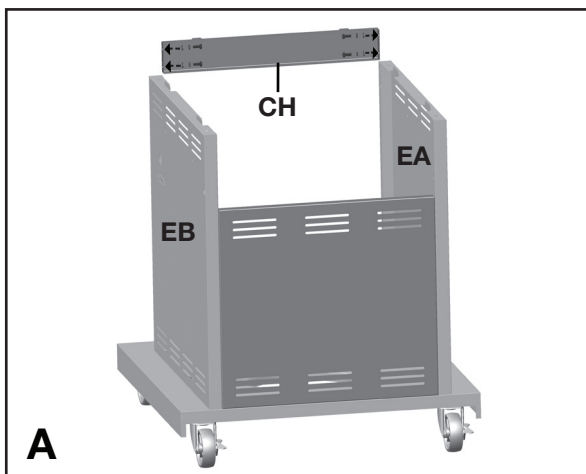
Close up

Assemble the Lower Back Panel (CO) to the Left and Right Cart Side Panels (EA and EB).

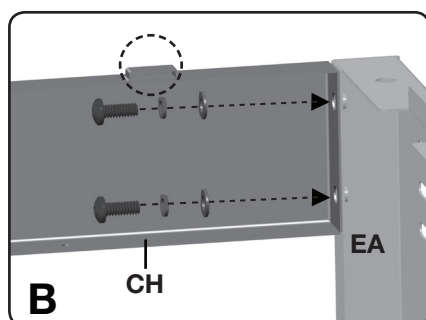
YOU WILL NEED:

2	6	7
		
X 4	X 4	X 4

4.



Back view






Close up

Attach the Front Brace (CH) to the Left and Right Cart Side Panels (EA and EB). The top of the Front Brace (CH) can be identified by two clips located on the top left, and right side of this part, as shown in B.

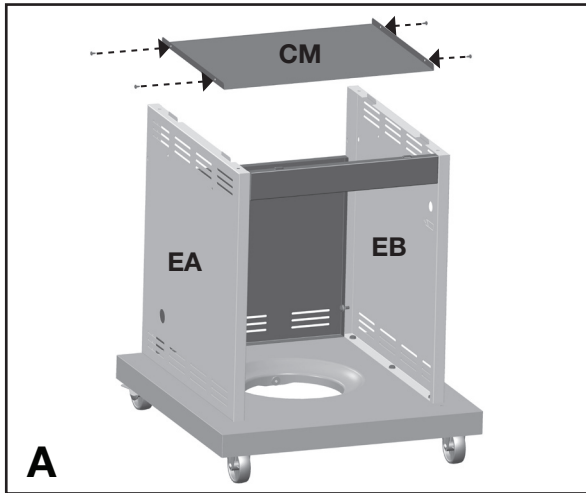
TIP: One person should align the left side, while the second person assembles the right side.

YOU WILL NEED:

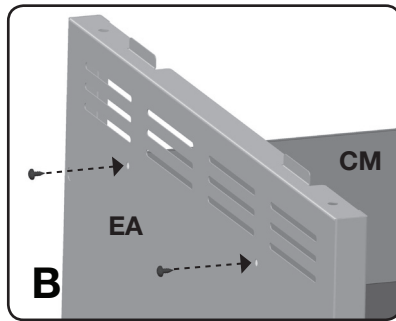
4	8	9
		
X 4	X 4	X 4

ASSEMBLY INSTRUCTIONS

5.



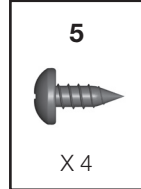
Front view



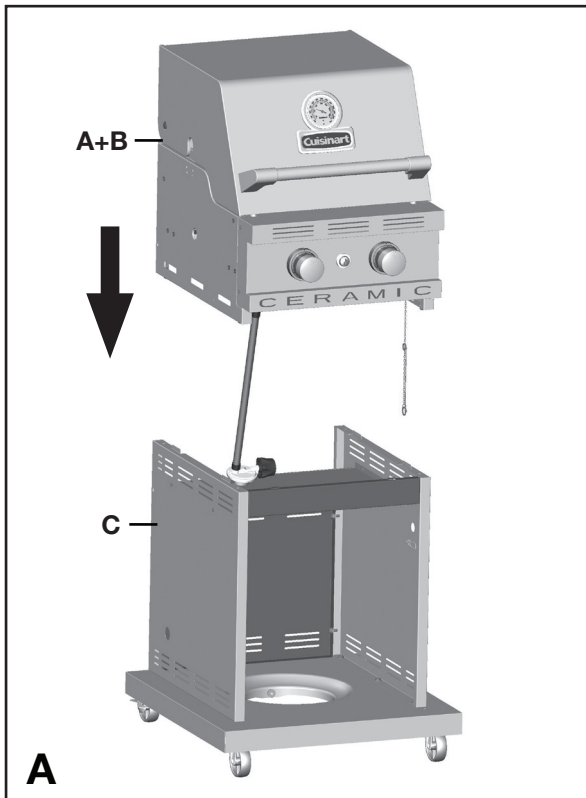
Close up

Assemble the Heat Shield (CM) to the Left and Right Cart Side Panels (EA and EB).

YOU WILL NEED:



6.



Front view

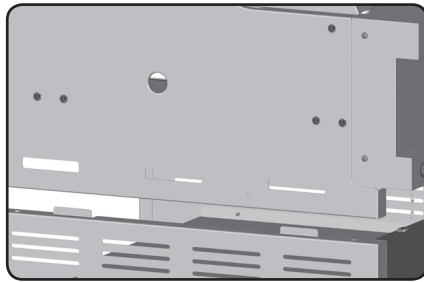
THIS STEP REQUIRES 3 PEOPLE. DO NOT ATTEMPT ALONE. EXTREMELY HEAVY!

a. Position the Top Lid and Burner Box Assembly (A and B) onto Cart Assembly (C), as shown.

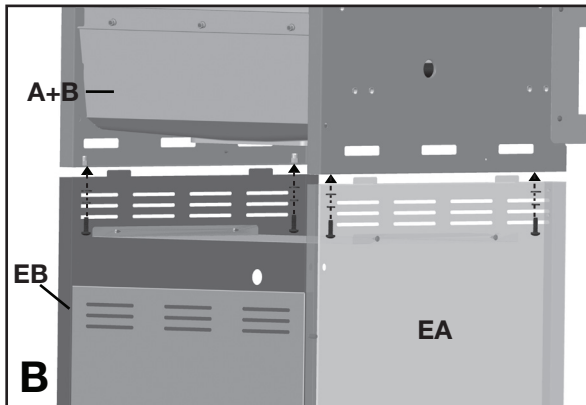
NOTE: Remember to remove the tie holding the electrode wires and pull them down into the cart.

ASSEMBLY INSTRUCTIONS

6.






Close up - left outside view



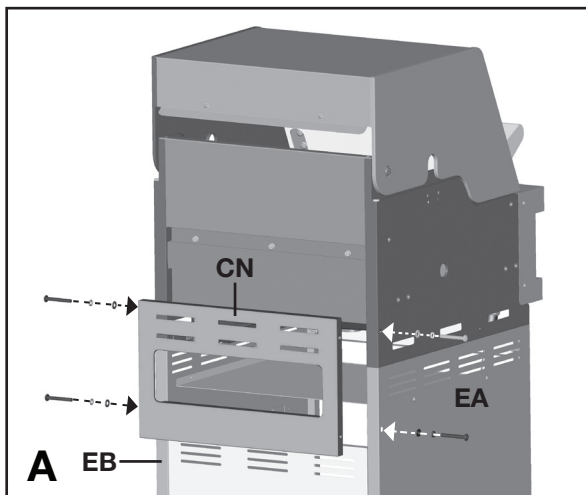
Back view

b. Assemble Burner Box Assembly (A and B) to the Left and Right Cart Side Panels (EA and EB), as shown.

YOU WILL NEED:

2	6	7
		
X 4	X 4	X 4

7.






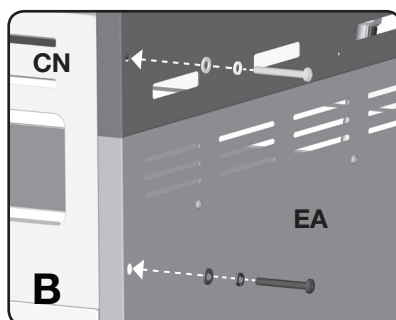
Back view

Attach the Upper Back Panel (CN) to both the Left and Right Cart Side Panels (EA and EB).

DO NOT tighten screws until all hardware has been positioned.

YOU WILL NEED:

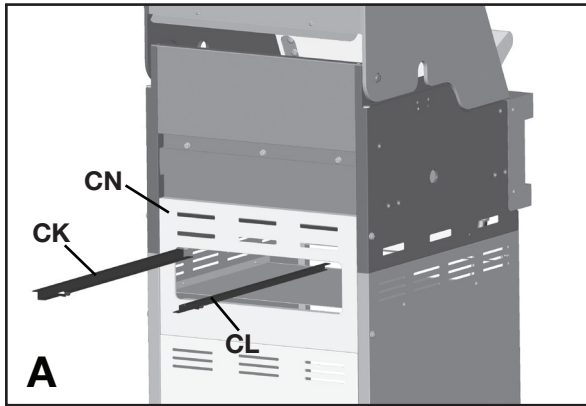
1	6	7
		
X 4	X 4	X 4



Close up

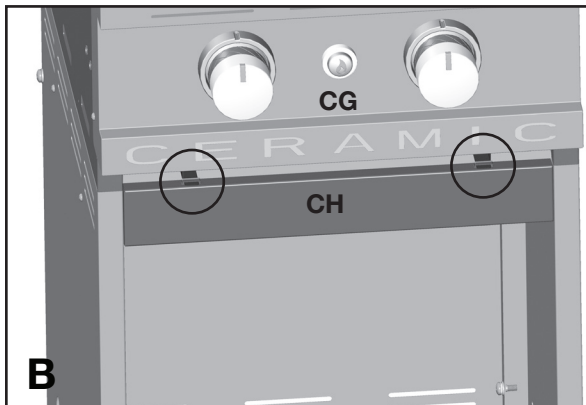
ASSEMBLY INSTRUCTIONS

8.



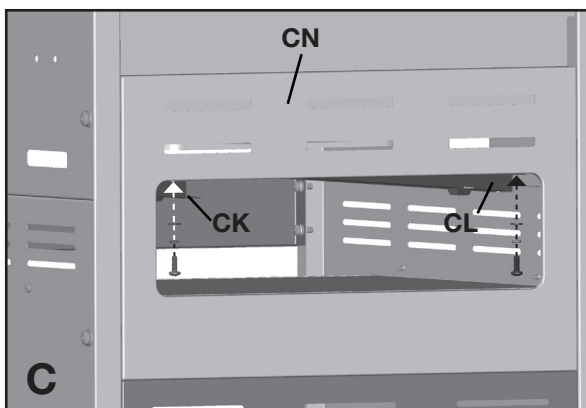
Back view

a. Assemble the Left and Right Tracks (CL and CK) for the Grease Tray (Cl), as shown in figure A, B and C.



Front view




TIP: Both the Left and Right Tracks (CL and CK) should be inserted into the two clips located on the top of the Front Brace (CH), as shown in figure B.



Back view

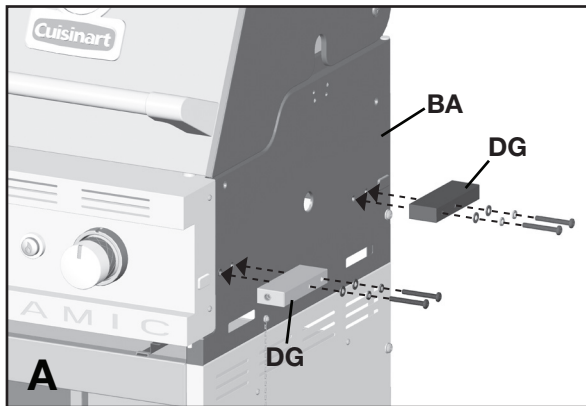
b. Assemble the back of the Left and Right Tracks (CL and CK) to the Upper Back Panel (CN), as shown in figure C.

YOU WILL NEED:

4	8	9
		
X 2	X 2	X 2

ASSEMBLY INSTRUCTIONS

9.






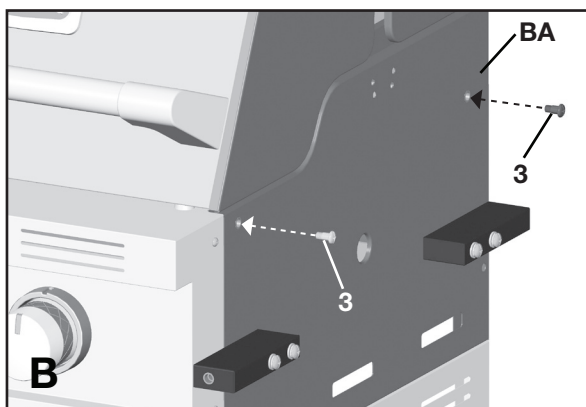
Front, right Side view

a. Assemble the Side Shelf Support Brackets (DG) to the right upper side panel of the Burner Box Assembly (BA).

TIP: All Side Shelf Support Brackets are the same.

YOU WILL NEED:

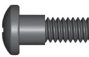
1	6	7
		
X 4	X 4	X 4

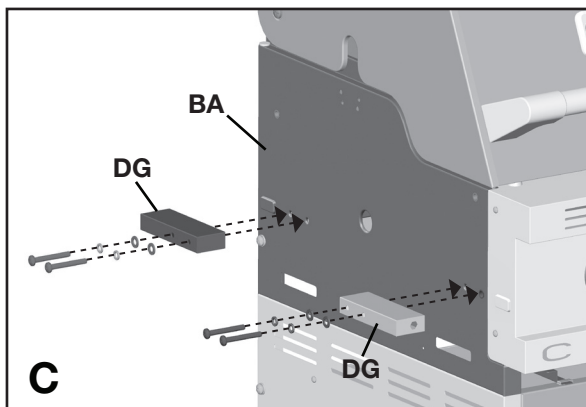


Front, right side view

b. Assemble the hardware (#3) to the right upper side panel of the Burner Box Assembly (BA).

YOU WILL NEED:




3

X 2

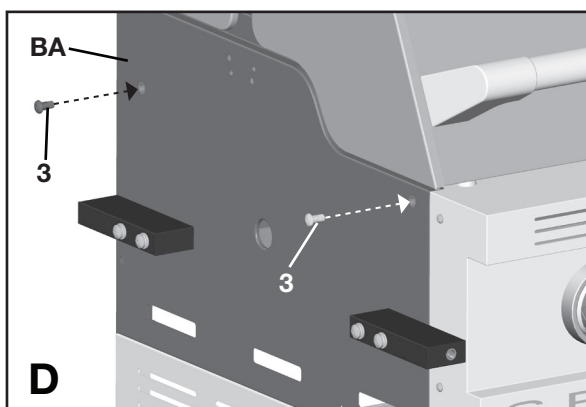


Front, left side view

c. Assemble the Side Shelf Support Brackets (DG) to the left upper side panel of the Burner Box Assembly (BA).

YOU WILL NEED:

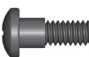
1	6	7
		
X 4	X 4	X 4



Front, left side view

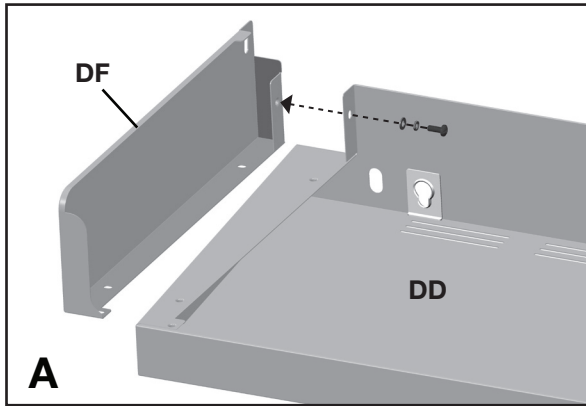
d. Assemble the hardware (#3) to the left upper side panel of the Burner Box Assembly (BA).

YOU WILL NEED:

3

X 2

ASSEMBLY INSTRUCTIONS

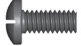


10.



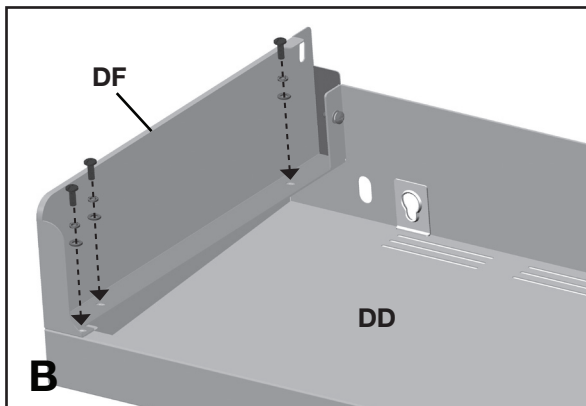
Front view, left side shelf

a. Assemble the Side Shelf Fascia (DF) to the Left Side Shelf Table (DD), as shown in figure A and B.

YOU WILL NEED:




4	8	9
		
X 1	X 1	X 1

NOTE: Beware of sharp edges.

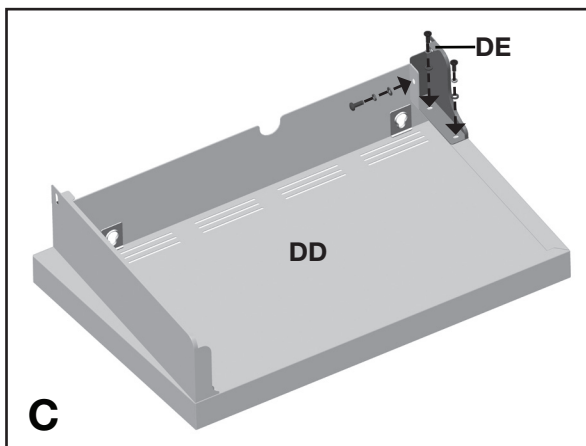


Front view, left side shelf

YOU WILL NEED:

4	8	9
		
X 3	X 3	X 3




NOTE: Beware of sharp edges.



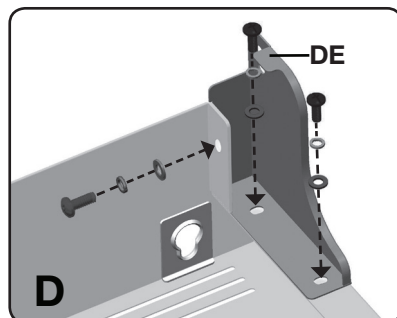
Back view, left side shelf

b. Assemble the Side Shelf Table Rear Brace (DE) to the Left Side Shelf Table (DD), as shown in figure C and D.

YOU WILL NEED:

4	8	9
		
X 3	X 3	X 3

NOTE: Beware of sharp edges.

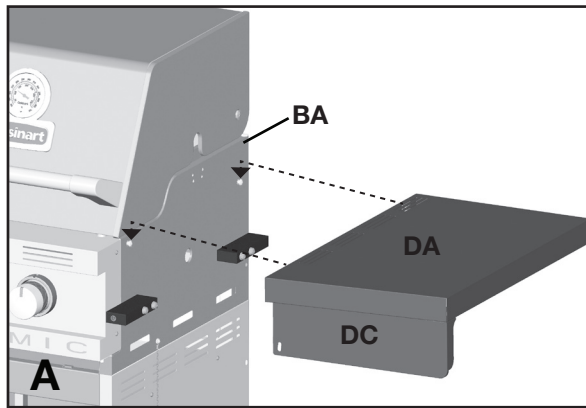


Close up

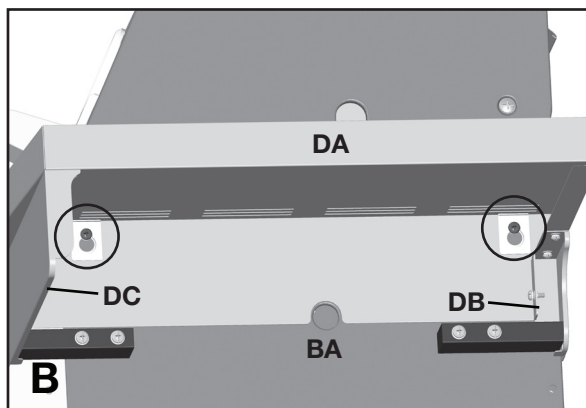
c. Repeat steps a to c for the Right Side Shelf Assembly (DA, DB, and DC).

ASSEMBLY INSTRUCTIONS

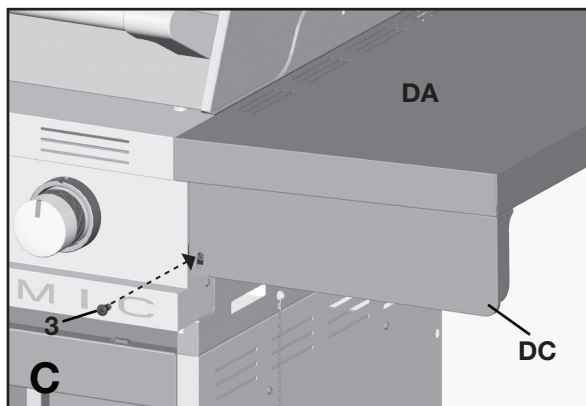
11.



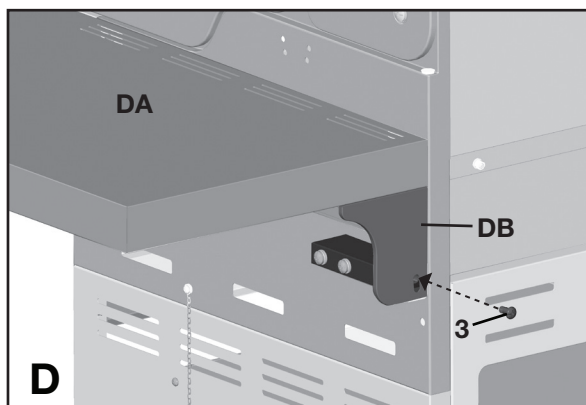
Front, right side view



View under right side shelf



Front, right side view

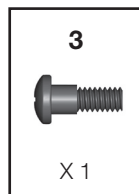


Back, right side view

a. Position the Right Side Shelf Assembly (DA, DB and DC) onto the hardware tightened in Step 9B, as shown in figure A and B.

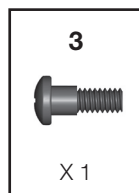
b. Assemble the hardware (#3) to the front of the Right Side Shelf Fascia (DC).

YOU WILL NEED:



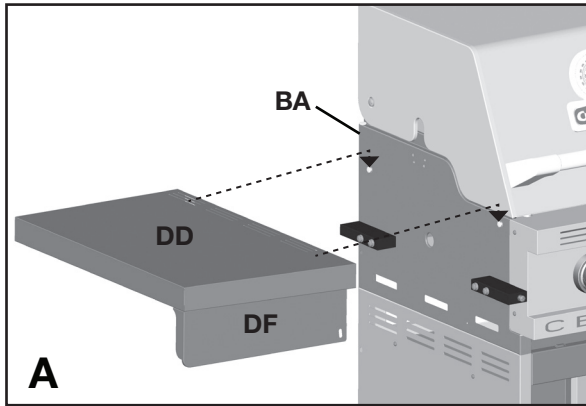
c. Assemble the hardware (#3) to the back of the Right Side Shelf Rear Brace (DB).

YOU WILL NEED:

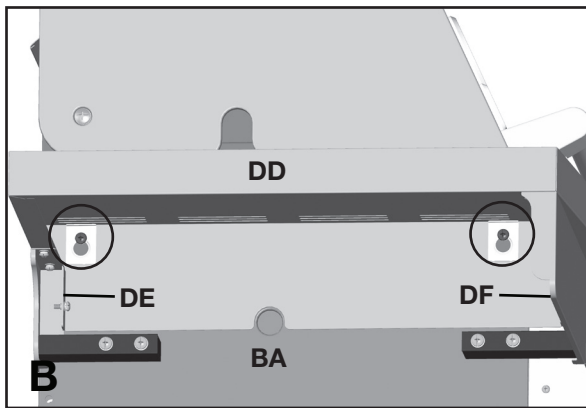


ASSEMBLY INSTRUCTIONS

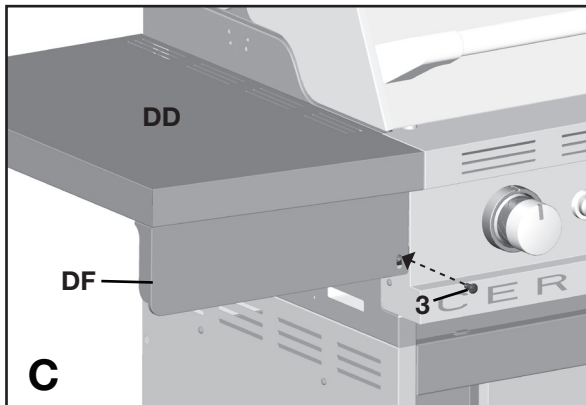
12.



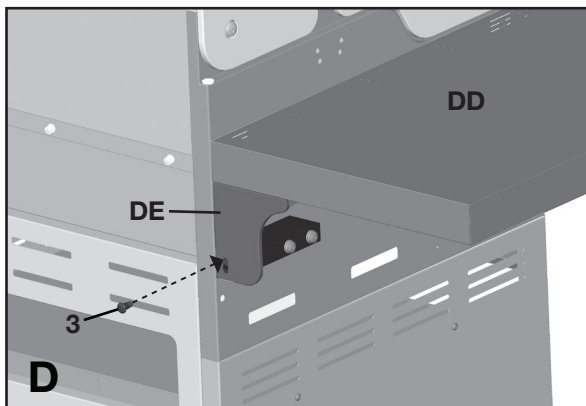
Front, left side view



View under left side shelf



Front, left side view

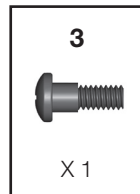


Back, left side view

a. Position the Left Side Shelf Assembly (DD, DE and DF) onto the hardware tightened in Step 9D, as shown in figure A and B.

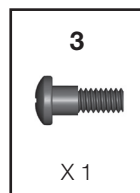
b. Assemble the hardware (#3) to the front of the Left Side Shelf Fascia (DF).

YOU WILL NEED:



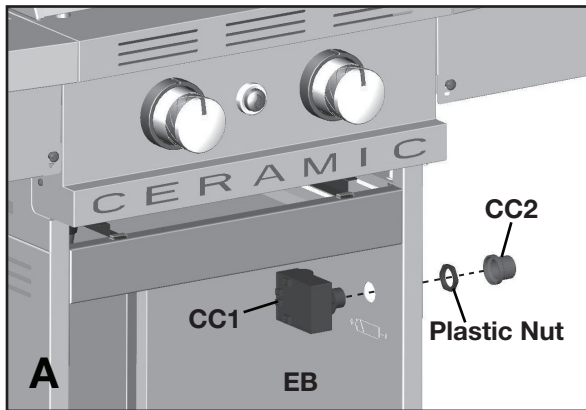
c. Assemble the hardware (#3) to the back of the Left Side Shelf Rear Brace (DE).

YOU WILL NEED:

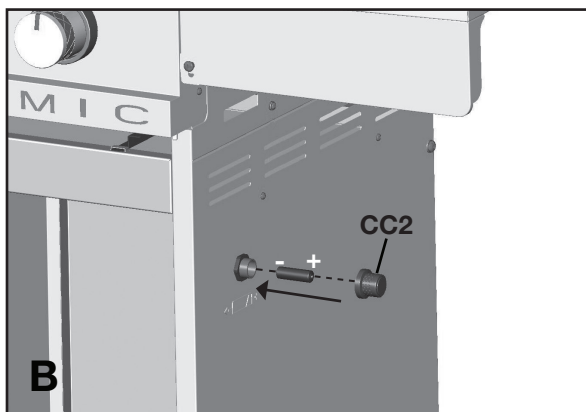


ASSEMBLY INSTRUCTIONS

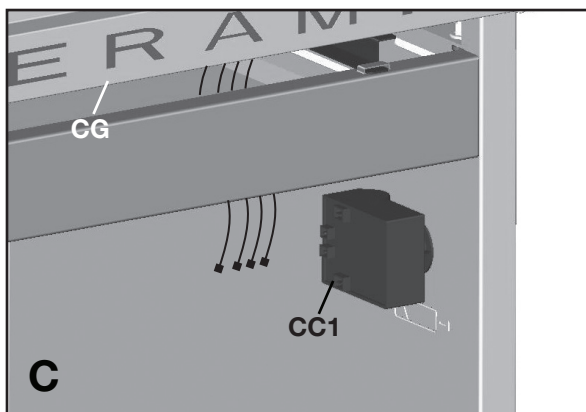
13.



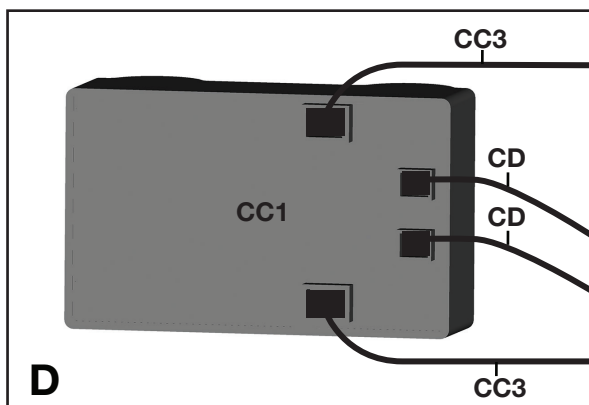
Right side panel, inside view



Right side panel, outside view



Right side panel, inside view



a. Remove the Electronic Ignition Battery Cap (CC2) and the plastic nut from the Electronic Ignition Assembly (CC1).

b. Feed the Electronic Ignition Assembly (CC1) through the opening in the Right Cart Side Panel (EB) and secure using the nut.

c. Insert one “AA” battery into the battery compartment with the positive end facing outward, as shown. Secure using the Electronic Ignition Battery Cap (CC2).

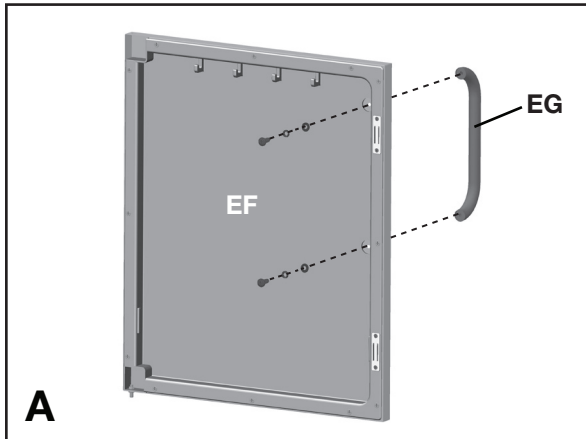
TIP: The Electrode set, Main Burner (CD), the two Ignition Button wires (CC3) can be found attached to the control panel heat shield (CG), as shown in figure C.

d. Insert the two Electrode Set, Main Burner (CD) wires and the two ignition button wires (CC3) into the Electronic Ignition Assembly (CC1), as shown in figure D.

NOTE: All main burner electrode wire connection points are the same size.




ASSEMBLY INSTRUCTIONS

14.

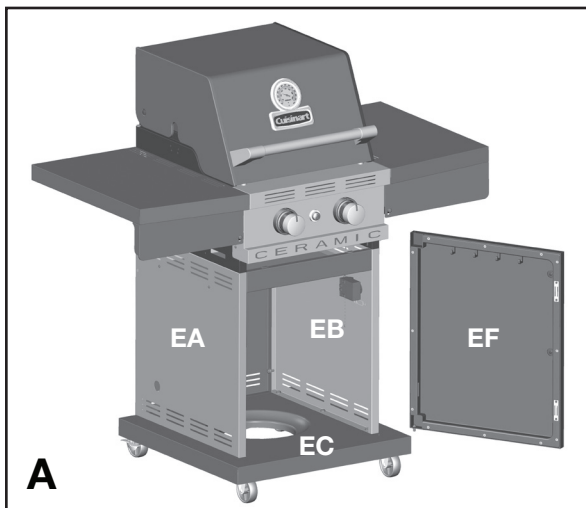


Assemble the Door Handle (EG) to the Door Assembly (EF), as shown in figure A.

YOU WILL NEED:

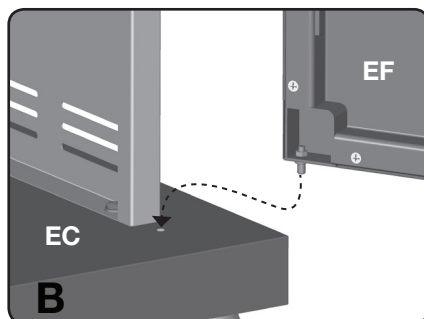
4	8	9
		
X 2	X 2	X 2

15.

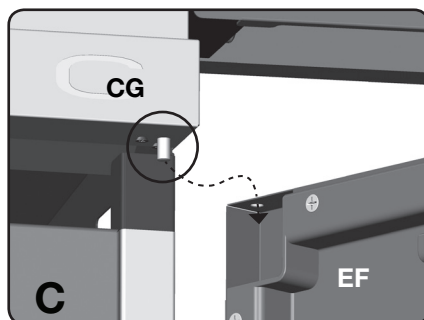


Front view

a. Assemble the Door Assembly (EF) to the Bottom shelf (EC) by inserting the fixed pin (bottom of door) into the hole provided (figure B).



Bottom of door



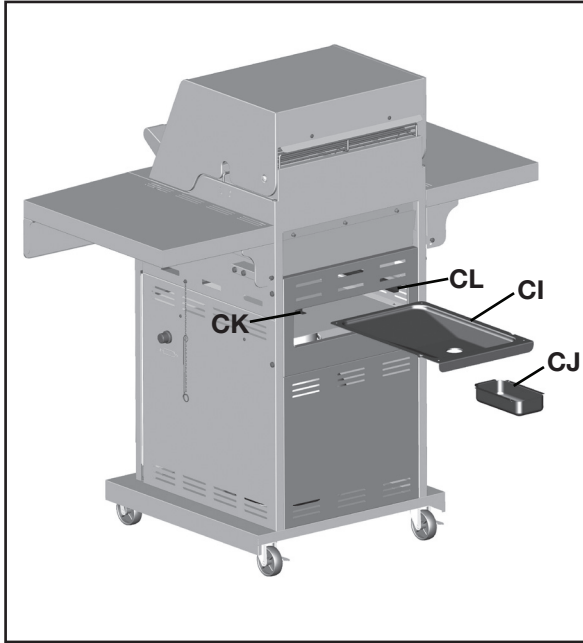
Top of door

b. Assemble the top of the Door Assembly (EF) to the Control Panel (CG) by pressing in the door support pin and aligning with the hole located on the top right corner of the door.

TIP: Use a paint scraper to press-in the support pin. The support pin will lock into position when the door is assembled correctly.

ASSEMBLY INSTRUCTIONS

16.

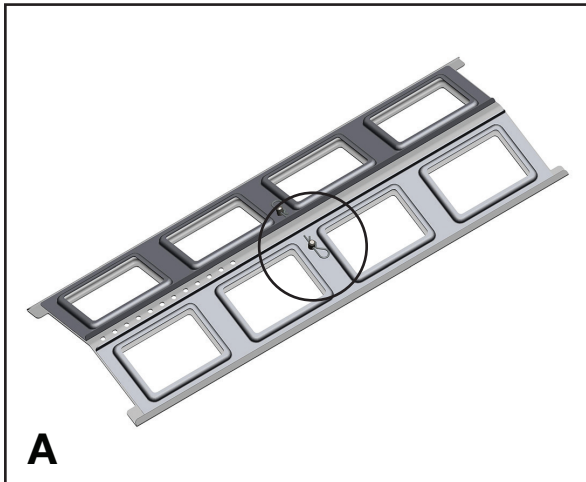


Back view

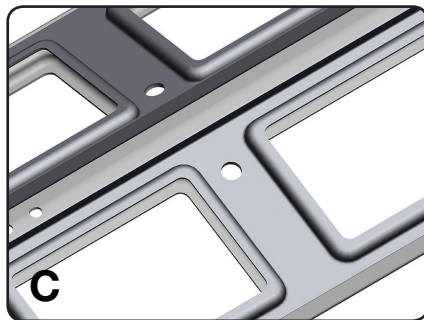
- a. Position the Grease tray (CI) onto the Left and Right Tracks (CL and CK), as shown.
- b. Place the Grease Cup (CJ) onto the tracks, located on the underside of the Grease Tray (CI).

ASSEMBLY INSTRUCTIONS

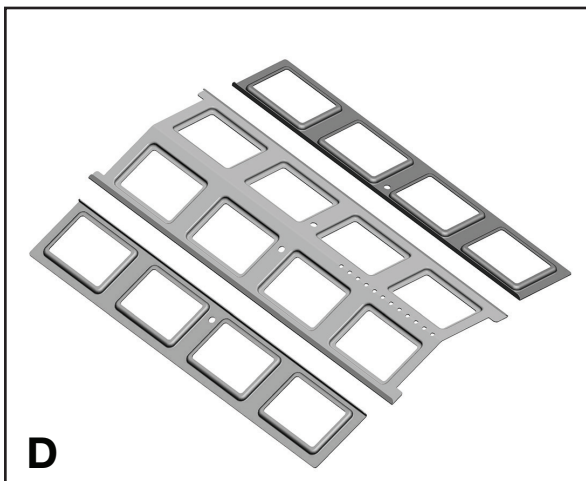
17.



Close up



Close up



To assemble the Ceramic Heat Plates, locate the following:

3-pc. Stainless Steel Radiant (BD) X 2	Ceramic Stone (BE) X 16
--	---------------------------------------

⚠ ATTENTION: For the purpose of safe shipping and transit, the Stainless Steel Radiants and the Ceramic Stones, have been shipped separately, and will require assembly. Use care when handling the carton labeled Ceramic Stones.

- Remove the 2 hitch pins and connectors from the 3-pc. Stainless Steel Radiant (BD), as shown in Figure A and B.

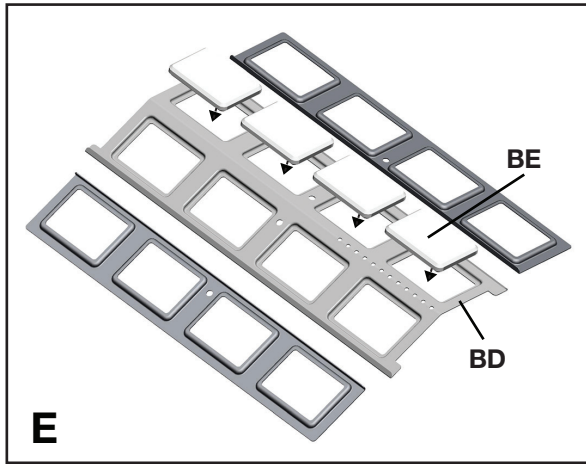
Put these parts aside for Step E:

Hitch Pin X 2	Connector X 2
-----------------------------	-----------------------------

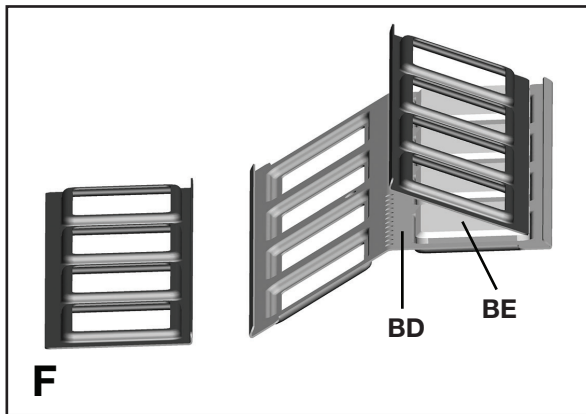
- Detach the right and left frames from the top of the stainless steel radiant (BD), as shown in figure D.

ASSEMBLY INSTRUCTIONS

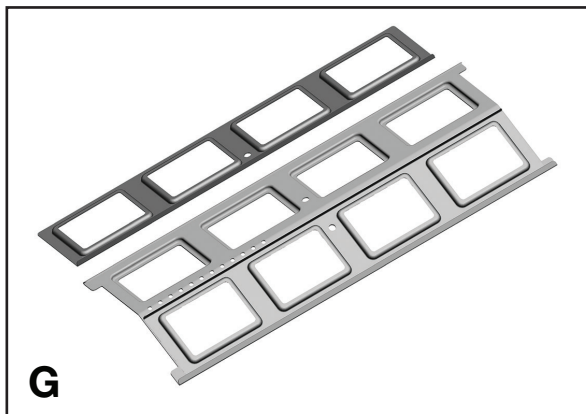
17.



c. Insert the Ceramic Stones (BE) into the openings on the right side of the Stainless Steel Radiant (BD).

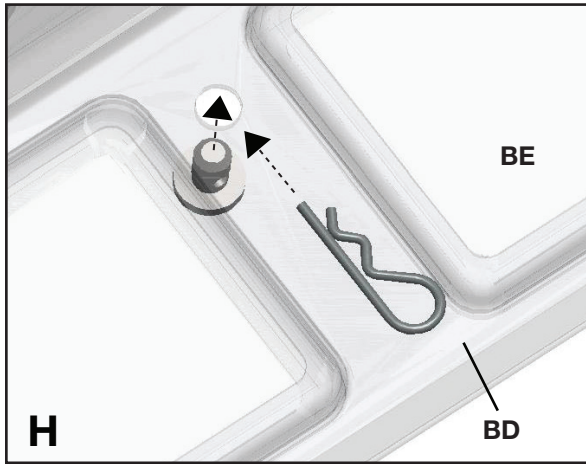


d. Secure the Ceramic Stones (BE) in place by assembling the right frame back onto the Stainless Steel Radiant (BD), as shown in figure F and G.





ASSEMBLY INSTRUCTIONS

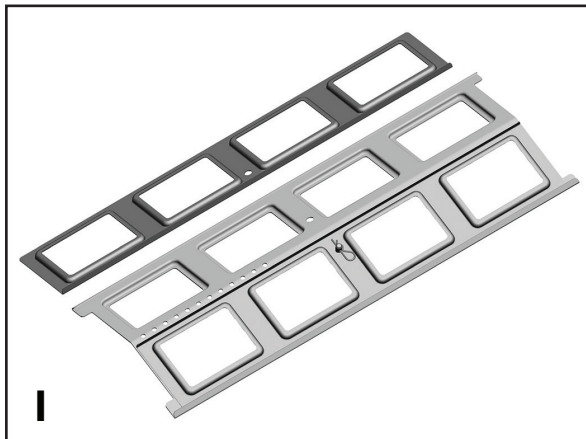
17.



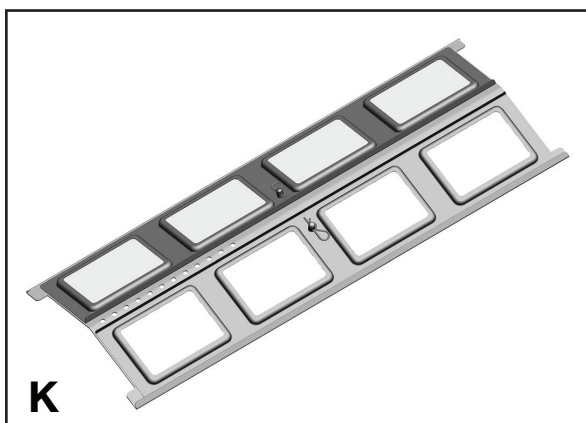
e. Secure using one set of the connectors and hitch pins, removed in step 17A, as shown in figures H – J.

You will need these parts from Step A:

Connector	Hitch Pin
	
X 1	X 1



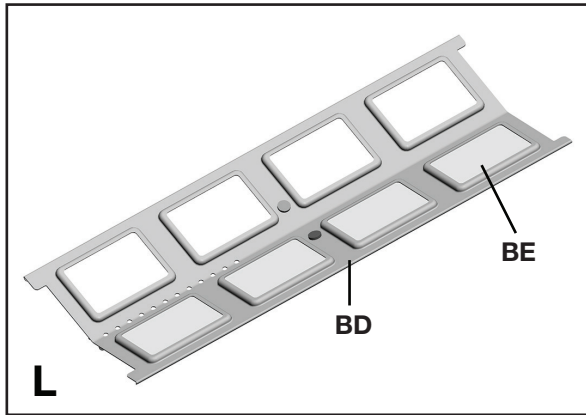
Close up



f. Repeat steps C and D for the left side of the Stainless Steel Radiant (BD) to complete assembly. Figure K shows the assembled Ceramic Heat Plate.

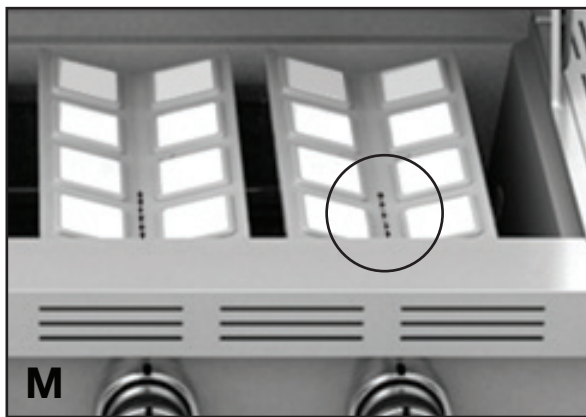
ASSEMBLY INSTRUCTIONS

17.



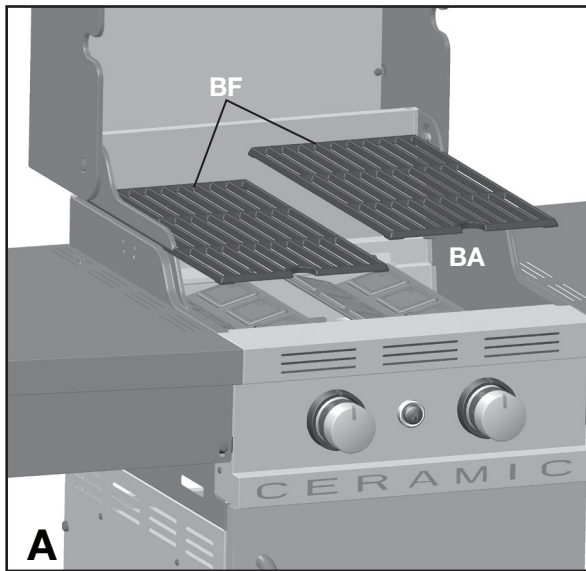
g. Once assembled, position Ceramic Heat Plates (BD + BE) into the Burner Box (BA), as shown in figure L and M.

NOTE: The ports in the middle of the heat plate should be at the front of the burner box. Hitch Pins should be on the underside of the Ceramic Heat Plate.

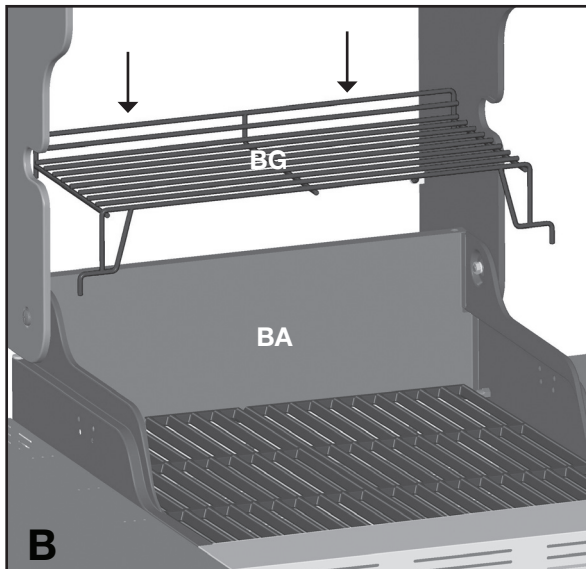


ASSEMBLY INSTRUCTIONS

18.



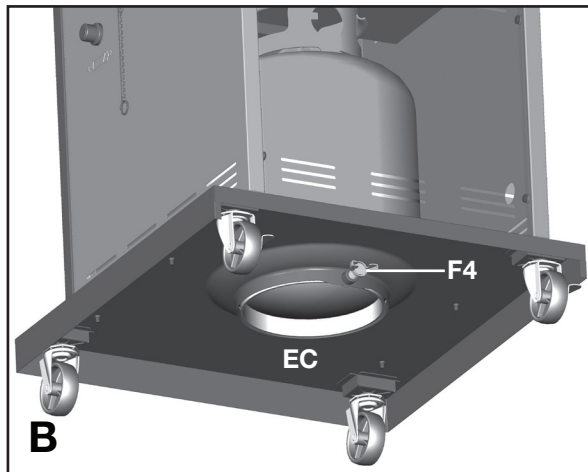
a. Place the Cooking Grates (BF) into the Burner Box (BA), as shown in figure A.



b. Assemble the Warming Rack (BG) by inserting the two fixed pins into the two holes provided on the Burner Box back panel (BA), as shown in figure B.

ASSEMBLY INSTRUCTIONS

19.



View from underneath barbecue

FOR PROPANE MODELS ONLY.

For natural gas model, follow step 20.

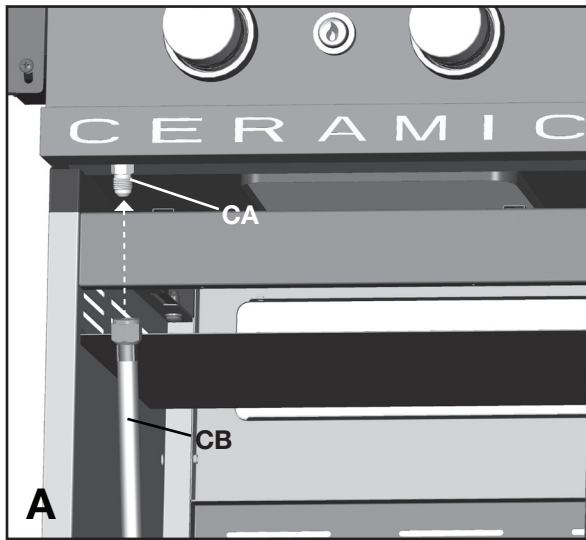
- Position the 20 lb propane tank onto the bottom shelf (EC), and secure using the bolt (F4) (already attached) located on the underside of the bottom shelf, as shown in figure B.
- Attach the Regulator coupling nut to the LP cylinder valve. Be careful not to cross thread. Hand tighten only.
- Perform Leak Test. See page 5 of the Cuisinart® Safety and Care Manual.

▲ ATTENTION: For your families safety, do not attempt to light this BBQ until you have reviewed pages 4-7 of the Cuisinart® Safety & Care Manual.
All Safety and Leak Test MUST BE PERFORMED BY THE END USER, prior to lighting this BBQ.

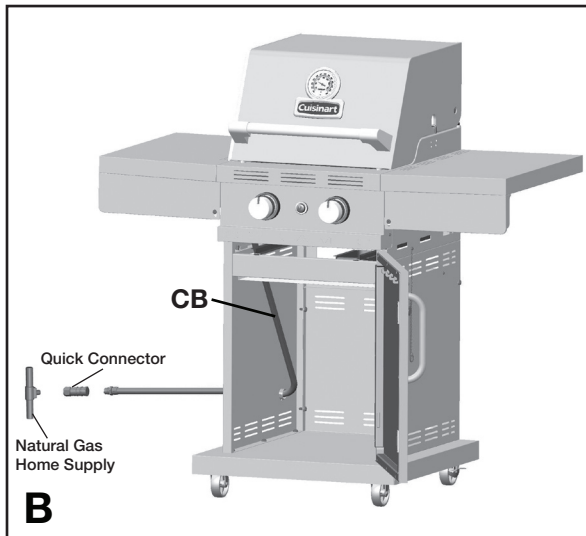
▲ WARNING Do not store extra propane tanks within BBQ cart.

ASSEMBLY INSTRUCTIONS

20.



Front view



FOR NATURAL GAS MODEL ONLY.

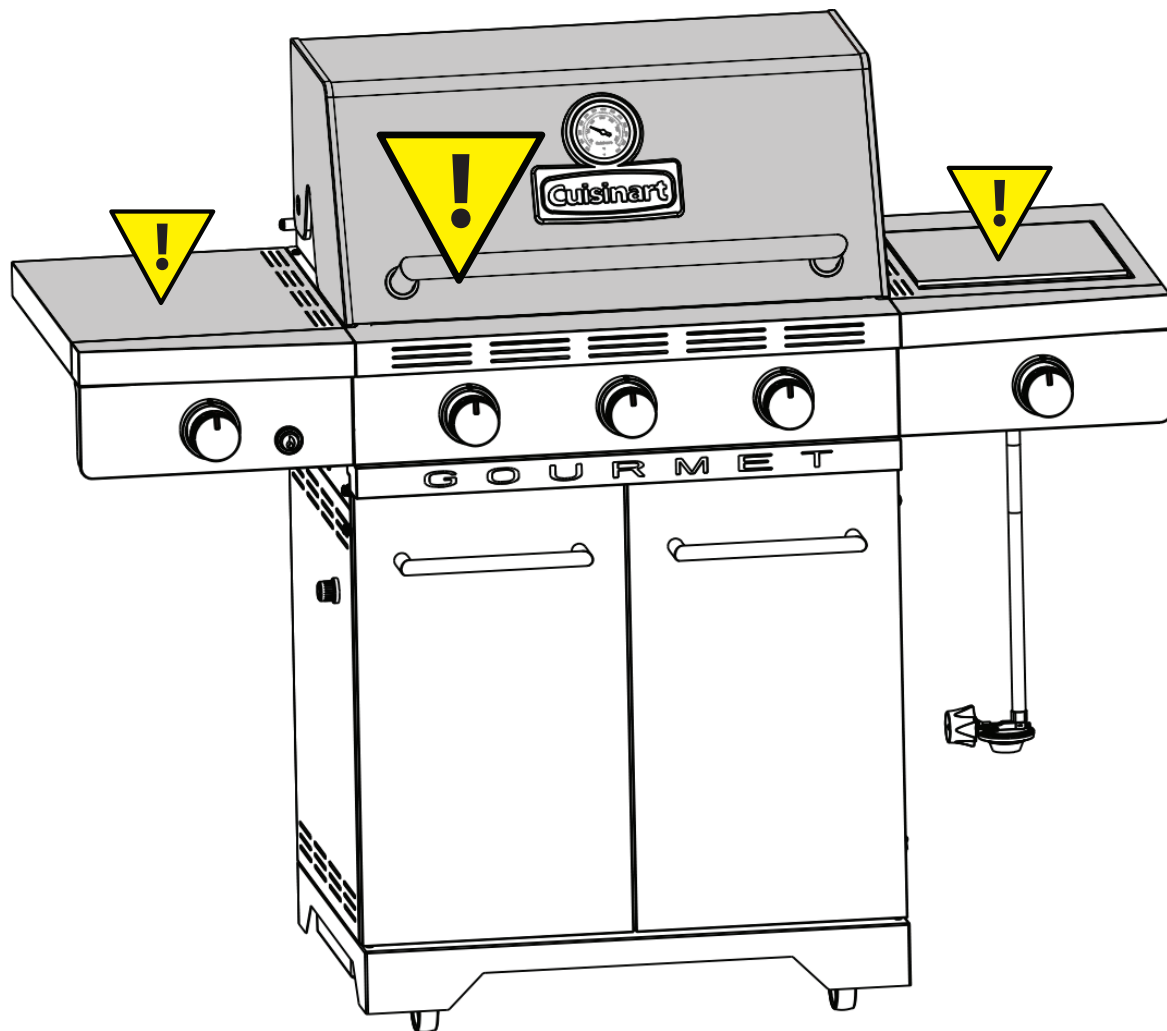
- Attach the Natural Gas Hose (CB) to the manifold (CA), as shown.
- Perform Leak Test. See page 6 of the Cuisinart® Safety and Care Manual.

▲ ATTENTION: In order to complete installation of your Natural Gas BBQ a 1/2" or 3/8" adapter may be required to connect your BBQ's Natural Gas hose to your home gas supply. Contact your Natural Gas supplier to purchase the necessary part.

▲ ATTENTION: For your families safety, do not attempt to light this BBQ until you have reviewed pages 4-7 of the Cuisinart® Safety & Care Manual.
All Safety and Leak Test MUST BE PERFORMED BY THE END USER, prior to lighting this BBQ.

▲ WARNING: For all new, at home, natural gas connections please contact a certified gas technician to install your natural gas barbecue.

⚠ WARNING HOT SURFACES



- **CAUTION!**
 - **AVOID BURNS!**
 - **DO NOT TOUCH WHEN BBQ IS IN USE!**
 - **EXTREMELY HOT SURFACE!**
- * **SHADED AREAS BECOME EXTREMELY HOT WHEN IN USE.**

Cuisinart®

Visit www.cuisinartbbqs.com
to complete product registration.

Cuisinart® Gourmet Barbecues Customer Service:
1-800-309-3452

Join the conversation



facebook.com/cuisinartbbqs



twitter.com/cuisinartbbqs