

Cuisinart® ASSEMBLY MANUAL



Cuisinart® Ceramic 850

85-3126-2 (G53507) Propane
85-3127-0 (G53508) Natural Gas

READ AND SAVE MANUAL FOR FUTURE REFERENCE.

Assemble your grill immediately.

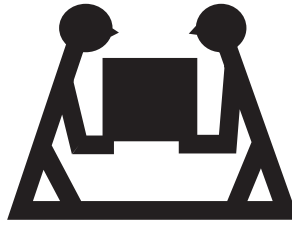
Missing or damaged parts should be claimed within 30 days of purchase.

For product inquiries, parts, warranty and troubleshooting support, please call 1-800-309-3452.

www.cuisinartbbqs.com

LIMITED 5-YEAR WARRANTY

Manual Revision #: 10142016.AT



HEAVY ARTICLE NEEDS 2 TO LIFT

THIS MANUAL MUST REMAIN WITH THE PRODUCT AT ALL TIMES

To ORDER non-warranty replacement parts or accessories,
or to register your warranty, please visit us on the web at
www.cuisinartbbqs.com

⚠ CAUTION

Sharp edges. Wear gloves when assembling your grill.

⚠ CAUTION

Read and follow all safety statements, assembly instructions, use and care directions before attempting to assemble and cook.

⚠ INSTALLER OR ASSEMBLER/CONSUMER

This manual should be kept with the BBQ at all times.

⚠ WARNING

Failure to follow all of the Manufacturer's instructions could result in hazardous fires, explosions, property damage, or serious personal injury or even death.

Follow all leak check procedures carefully prior to operation of barbecue, even if grill was dealer assembled. Do not try lighting this BBQ without reading the Lighting Instructions section of the Safety and Care Manual that accompanies this grill.

⚠ DANGER

1. If you smell Gas:
 - a. Shut off gas to the appliance
 - b. Extinguish any open flame
 - c. Open lid
 - d. If odor continues, keep away from the appliance and immediately call your gas supplier or your fire department
2. Do not store or use gasoline or other flammable liquids or vapours in the vicinity of this or any other appliance.
3. An LP cylinder not connected for use shall not be stored in the vicinity of this or any other appliance.

⚠ DANGER

1. Do not store or use gasoline or other flammable liquids or vapours in the vicinity of this or any other appliance.
2. An LP cylinder not connected for use shall not be stored in the vicinity of this or any other appliance.

⚠ CAUTION

Avoid burns. The stainless steel and steel surfaces of this barbecue can become extremely hot, in direct sun and while the barbecue is in operation.

THIS BARBECUE IS FOR OUTDOOR USE ONLY

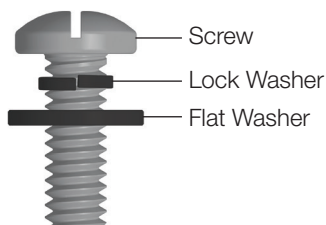
CUISINART® CUSTOMER CARE HOTLINE
1-800-309-3452

HARDWARE PACK

Tools Needed for Assembly

- #2 Phillips screwdriver (long and short)
- 1/4" Slotted screwdriver (long and short)
- Adjustable wrench
- Pliers
- Rubber Mallet


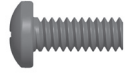
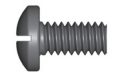

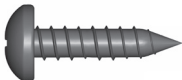







For correct hardware assembly, always position the lock washer between the screw and the flat washer.



Note: Do not fully tighten all the nuts during this initial stage

| No. | Description | Part Number | Qty. |
|-----|------------------------|-----------------|------|
| 1 | 1/4-20UNCx38 Screw | 20120-13038-250 | 8 |
| 2 | 1/4-20UNCx16 Screw | 20120-13016-250 | 18 |
| 3 | NO. 10-24UNCx13 Screw | 20124-13013-250 | 12 |
| 4 | ST4.2x10 Tapping Screw | 22500-42010-137 | 6 |
| 5 | ST4.2x20 Tapping Screw | 22500-42020-137 | 1 |
| 6 | φ7 Lock Washer | 41400-07000-250 | 26 |
| 7 | φ7 Washer | 40300-07000-250 | 22 |
| 8 | Rubberized Washer | G501-0054-9100 | 4 |
| 9 | φ5 Lock Washer | 41400-05000-250 | 12 |
| 10 | φ5 Washer | 40300-05000-250 | 12 |
| 11 | Control Knob | G618-0014-9000 | 2 |
| 12 | U Pin | G350-0026-9000 | 1 |

⚠ Caution:
Sheet metal can cause injury. Wear gloves when installing this grill.

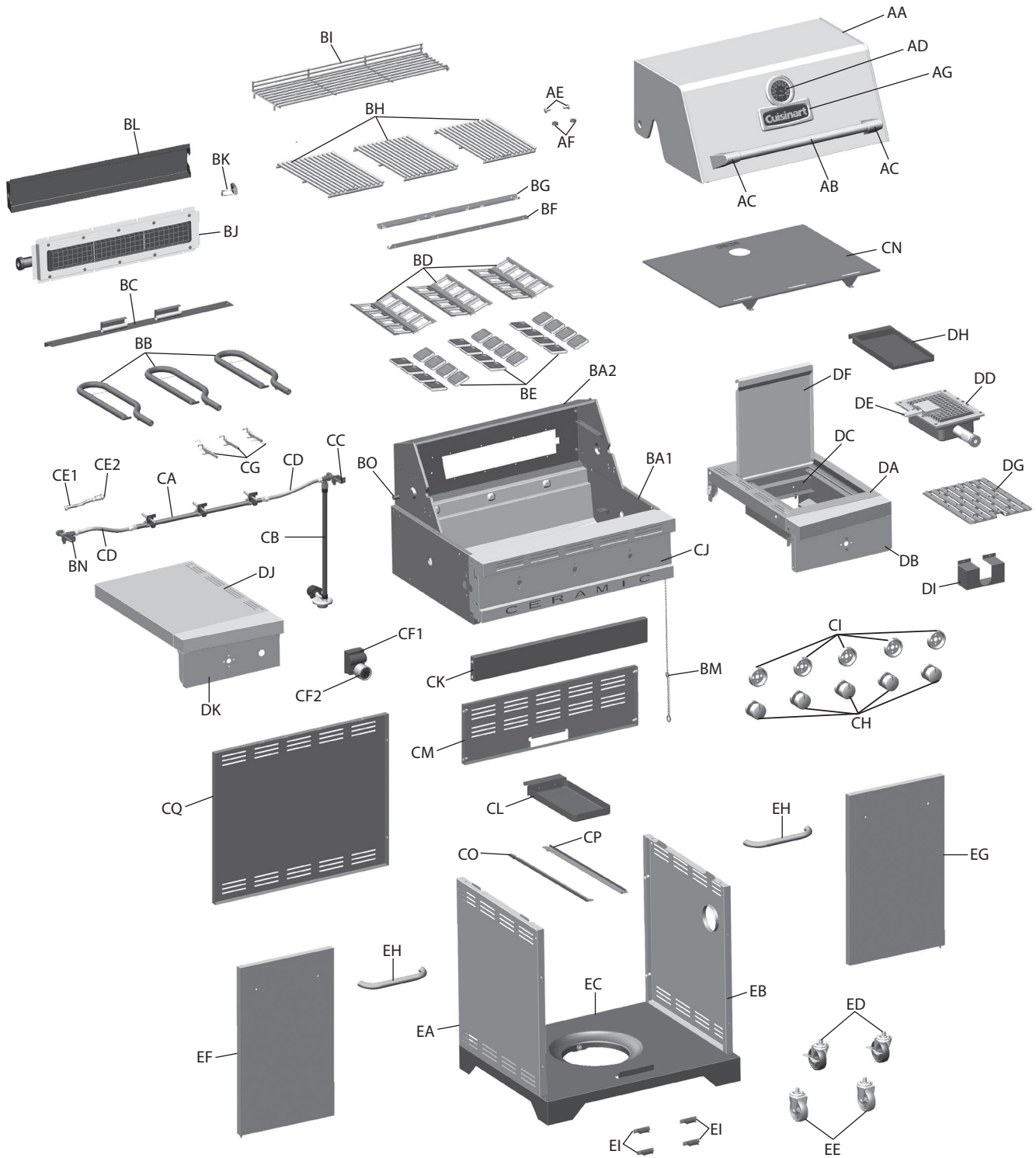
| | | | | | |
|----|--|----|--|----|--|
| 1 |  1/4-20UNCx38 Screw X 8 | 2 |  1/4-20UNCx16 Screw X 18 | 3 |  NO. 10-24UNCx13 Screw X 12 |
| 4 |  ST4.2x10 Tapping Screw X 6 | 5 |  ST4.2x20 Tapping Screw X 1 | 6 |  φ7 Lock Washer X 26 |
| 7 |  φ7 Washer X 22 | 8 |  Rubberized Washer X 4 | 9 |  φ5 Lock Washer X 12 |
| 10 |  φ5 Washer X 12 | 11 |  Control Knob X 2 | 12 |  U Pin X 1 |

BEFORE ASSEMBLING THE BARBECUE, READ THESE INSTRUCTIONS CAREFULLY.
Assemble the barbecue on a flat, clean surface. Grill is heavy. Two people are recommended to complete assembly.

PARTS LIST (PROPANE) FOR 85-3126-2 (G53507)

| Item No. | Qty. | Description | Part No. | Item No. | Qty. | Description | Part No. |
|----------|------|----------------------------------|--------------|----------|------|----------------------------------|--------------|
| AA | 1 | Top lid | G535-2000-01 | DA | 1 | Side Shelf Table, Right | G535-7600-01 |
| AB | 1 | Lid Handle | G535-0002-01 | DB | 1 | Side Shelf Fascia, Right | G535-4100-01 |
| AC | 2 | Lid Handle End Cap | G358-0004-01 | DC | 1 | Infrared Support Frame | G535-3500-01 |
| AD | 1 | Thermometer | G512-0085-01 | DD | 1 | Infrared Zone Side Burner | G535-8600-01 |
| AE | 2 | Screw for Top Lid | G359-0030-01 | DE | 1 | Electrode Set, Infrared Zone | G614-0092-01 |
| AF | 2 | Lid Bumper | G527-0002-01 | DF | 1 | Lid, Infrared Zone | G507-0011-01 |
| AG | 1 | Logo Plate | G618-0054-01 | DG | 1 | Cooking Grate, Infrared Zone | G525-0055-01 |
| BA1 | 1 | Burner Box Assembly | G535-6800-01 | DH | 1 | Infrared Grease Tray | G614-0075-01 |
| BA2 | 1 | Burner Box Surround | G535-7100-01 | DI | 1 | Infrared Side Burner Wind shield | G614-0073-01 |
| BB | 3 | Main Burner | G525-3800-02 | DJ | 1 | Side Shelf Table, Left | G535-7800-01 |
| BC | 1 | Carryover Assembly | G535-0033-01 | DK | 1 | Side Shelf Fascia, Left | G535-2500-01 |
| BD | 3 | 3-Pc. Stainless Steel Radiant | G618-0056-01 | EA | 1 | Cart Side Panel, Left | G535-0009-02 |
| BE | 24 | Ceramic Stone | G535-0045-01 | EB | 1 | Cart Side Panel, Right | G535-0010-02 |
| BF | 1 | Flame Tamer Brace, Front | G535-0040-01 | EC | 1 | Bottom Shelf, LP | G535-0900-01 |
| BG | 1 | Flame Tamer Brace, Back | G535-0041-01 | ED | 2 | Wheel with Lock | G350-0023-01 |
| BH | 3 | Cooking Grate,Burner Box | G535-0044-01 | EE | 2 | Wheel | G350-0024-01 |
| BI | 1 | Warming Rack | G525-0017-01 | EF | 1 | Left Door Assembly | G535-2100-01 |
| BJ | 1 | Infrared Rotisserie Burner | G525-2900-01 | EG | 1 | Right Door Assembly | G535-2200-01 |
| BK | 1 | Electrode Set, Rotisserie Burner | G525-0046-01 | EH | 2 | Door Handle | G517-0011-01 |
| BL | 1 | Wind Shield,Rotisserie | G525-0047-01 | EI | 4 | Door Magnet Assembly | G501-00F2-03 |
| BM | 1 | Match Holder | G501-0068-01 | F1 | 1 | Hardware pack | G535-B003-01 |
| BN | 1 | IR Rotisserie LP Valve | G535-0042-01 | F2 | 1 | Assembly Manual | G535-M007-01 |
| BO | 1 | Lid Support Pin | G525-0014-02 | F3 | 1 | Safety and Care Manual | G535-M005-02 |
| CA | 1 | Manifold Assembly, LP | G535-7300-01 | F4 | 1 | Tank Screw | G505-0047-01 |
| CB | 1 | Regulator | G510-0006-01 | F5 | 1 | Ceramic Heat Plate Guide | G618-M003-02 |
| CC | 1 | IR Side Burner Valve, LP | G535-0023-01 | | | | |
| CD | 2 | Metal Hose | G508-0024-01 | | | | |
| CE1 | 1 | Rotisserie Flexible Hose | G601-0055-A1 | | | | |
| CE2 | 1 | Rotisserie LP Orifice | G525-0058-01 | | | | |
| CF1 | 1 | Electronic Ignition Assembly | G535-0032-01 | | | | |
| CF2 | 1 | Electronic Ignition Battery Cap | G535-0031-02 | | | | |
| CG | 3 | Electrode Set, Main Burner | G525-0030-01 | | | | |
| CH | 5 | Control Knob | G618-0014-01 | | | | |
| CI | 5 | Bezel, Control Knob | G525-0012-01 | | | | |
| CJ | 1 | Control Panel | G535-0043-01 | | | | |
| CK | 1 | Front Brace | G535-5000-01 | | | | |
| CL | 1 | Grease Tray | G350-4400-01 | | | | |
| CM | 1 | Upper Back Panel | G535-0013-01 | | | | |
| CN | 1 | Heat Shield | G525-0022-01 | | | | |
| CO | 1 | Left Track | G515-0024-01 | | | | |
| CP | 1 | Right Track | G515-0025-01 | | | | |
| CQ | 1 | Lower Back Panel | G535-0012-01 | | | | |

EXPLODED DIAGRAM (PROPANE) FOR 85-3126-2 (G53507)



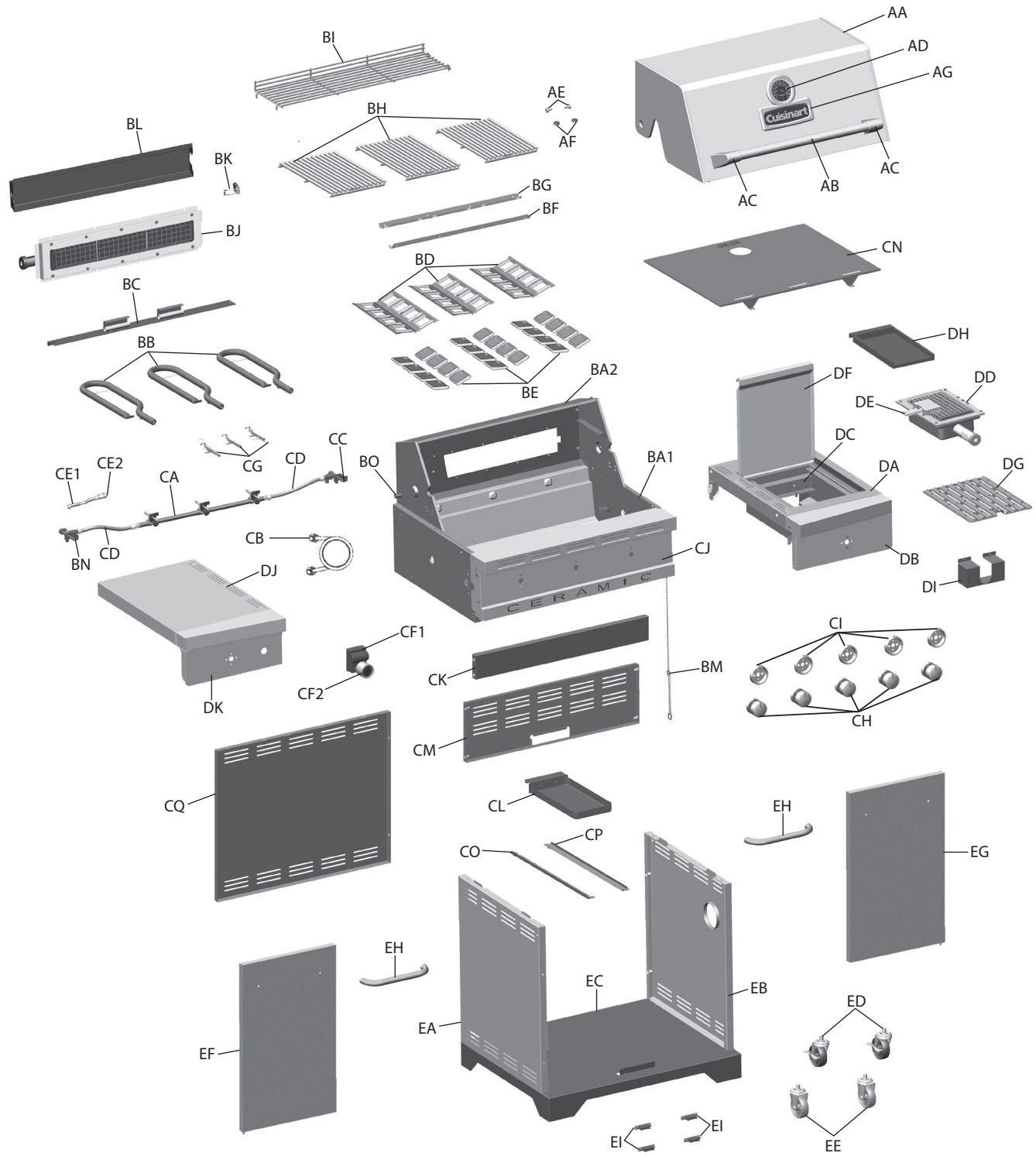
EXTRAS

| | | | | |
|----------------------------|------------------------------|-------------------------------------|-------------------------|---------------------------------------|
| Hardware Pack F1 | Assembly Manual F2 | Safe Use & Care Manual F3 | Tank Screw F4 | Ceramic Heat Plate Guide F5 |
|----------------------------|------------------------------|-------------------------------------|-------------------------|---------------------------------------|

PARTS LIST (NATURAL GAS) FOR 85-3127-0 (G53508)

| Item No. | Qty. | Description | Part No. | Item No. | Qty. | Description | Part No. |
|----------|------|----------------------------------|--------------|----------|------|----------------------------------|--------------|
| AA | 1 | Top lid | G535-2000-01 | DA | 1 | Side Shelf Table, Right | G535-7600-01 |
| AB | 1 | Lid Handle | G535-0002-01 | DB | 1 | Side Shelf Fascia, Right | G535-4100-01 |
| AC | 2 | Lid Handle End Cap | G358-0004-01 | DC | 1 | Infrared Support Frame | G535-3500-01 |
| AD | 1 | Thermometer | G512-0085-01 | DD | 1 | Infrared Zone Side Burner | G535-8600-01 |
| AE | 2 | Screw for Top Lid | G359-0030-01 | DE | 1 | Electrode Set, Infrared Zone | G614-0092-01 |
| AF | 2 | Lid Bumper | G527-0002-01 | DF | 1 | Lid, Infrared Zone | G507-0011-01 |
| AG | 1 | Logo Plate | G618-0054-01 | DG | 1 | Cooking Grate, Infrared Zone | G525-0055-01 |
| BA1 | 1 | Burner Box Assembly | G535-6800-01 | DH | 2 | Infrared Grease Tray | G614-0075-01 |
| BA2 | 1 | Burner Box Surround | G535-7100-01 | DI | 1 | Infrared Side Burner Wind shield | G614-0073-01 |
| BB | 3 | Main Burner | G525-3800-02 | DJ | 1 | Side Shelf Table, Left | G535-7800-01 |
| BC | 1 | Carryover assembly | G535-0033-01 | DK | 1 | Side Shelf Fascia, Left | G535-2500-01 |
| BD | 3 | 3-Pc. Stainless Steel Radiant | G618-0056-01 | EA | 1 | Cart Side Panel, Left | G535-0009-02 |
| BE | 24 | Ceramic Stone | G535-0045-01 | EB | 1 | Cart Side Panel, Right | G535-0010-02 |
| BF | 1 | Flame Tamer Brace, Front | G535-0040-01 | EC | 1 | Bottom Shelf, NG | G535-3400-01 |
| BG | 1 | Flame Tamer Brace, Back | G535-0041-01 | ED | 2 | Wheel with Lock | G350-0023-01 |
| BH | 3 | Cooking Grate,Burner Box | G535-0044-01 | EE | 2 | Wheel | G350-0024-01 |
| BI | 1 | Warming Rack | G525-0017-01 | EF | 1 | Left Door Assembly | G535-2100-01 |
| BJ | 1 | Infrared Rotisserie Burner | G525-2900-01 | EG | 1 | Right Door Assembly | G535-2200-01 |
| BK | 1 | Electrode Set, Rotisserie Burner | G525-0046-01 | EH | 2 | Door Handle | G517-0011-01 |
| BL | 1 | Wind Shield,Rotisserie | G525-0047-01 | EI | 4 | Door Magnet Assembly | G501-00F2-03 |
| BM | 1 | Match Holder | G501-0068-01 | F1 | 1 | Hardware pack | G535-B003-01 |
| BN | 1 | IR Rotisserie NG Valve | G535-0046-01 | F2 | 1 | Assembly Manual | G535-M007-01 |
| BO | 1 | Lid Support Pin | G525-0014-02 | F3 | 1 | Safety and Care Manual | G535-M005-02 |
| CA | 1 | Manifold Assembly, NG | G535-8200-01 | F4 | 1 | Ceramic Heat Plate Guide | G618-M003-02 |
| CB | 1 | Natural Gas Hose | G501-0099-01 | | | | |
| CC | 1 | IR Side Burner Valve, NG | G535-0027-01 | | | | |
| CD | 2 | Metal Hose | G508-0024-01 | | | | |
| CE1 | 1 | Rotisserie Flexible Hose | G601-0055-A1 | | | | |
| CE2 | 1 | Rotisserie NG orifice | G525-0050-01 | | | | |
| CF1 | 1 | Electronic Ignition Assembly | G535-0032-01 | | | | |
| CF2 | 1 | Electronic Ignition Battery Cap | G535-0031-02 | | | | |
| CG | 3 | Electrode Set, Main Burner | G525-0030-01 | | | | |
| CH | 5 | Control Knob | G618-0014-01 | | | | |
| CI | 5 | Bezel, Control Knob | G525-0012-01 | | | | |
| CJ | 1 | Control Panel | G535-0043-01 | | | | |
| CK | 1 | Front Brace | G535-5000-01 | | | | |
| CL | 1 | Grease Tray | G350-4400-01 | | | | |
| CM | 1 | Upper Back Panel | G535-0013-01 | | | | |
| CN | 1 | Heat Shield | G525-0022-01 | | | | |
| CO | 1 | Left Track | G515-0024-01 | | | | |
| CP | 1 | Right Track | G515-0025-01 | | | | |
| CQ | 1 | Lower Back Panel | G535-0012-01 | | | | |

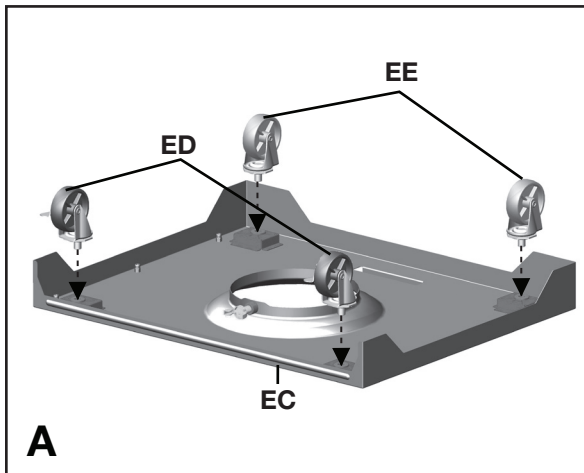
EXPLODED DIAGRAM (NATURAL GAS) FOR 85-3127-0 (G53508)



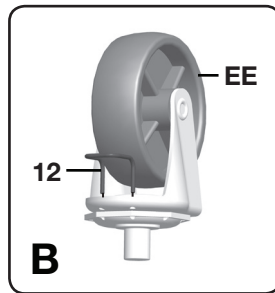
| EXTRAS | | | |
|----------------------------|------------------------------|-------------------------------------|---------------------------------------|
| Hardware Pack F1 | Assembly Manual F2 | Safe Use & Care Manual F3 | Ceramic Heat Plate Guide F4 |

ASSEMBLY INSTRUCTIONS

1.



Back view



Close up

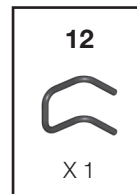
Separate the 2 different types of wheels, 2 Locking Wheels (ED) and 2 Regular Wheels (EE).

Insert the U Pin (#12) into one of the Regular Wheels (EE), as shown in image B. Attach the Regular Wheel (EE) to the front of the Bottom Shelf (EC), and use the U Pin (#12) to secure and tighten.

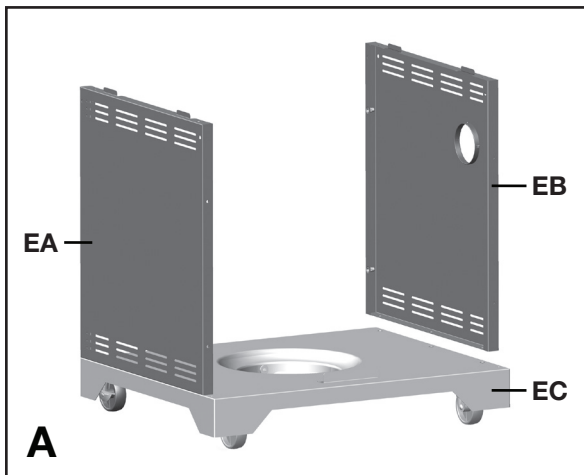
Repeat for remaining 3 Wheels (EE & ED).

NOTE: Regular Wheels (EE) need to be assembled to the front of the Bottom Shelf (EC), and Wheels with Lock (ED) need to be assembled to the back of the Bottom Shelf (EC), as shown in image A.

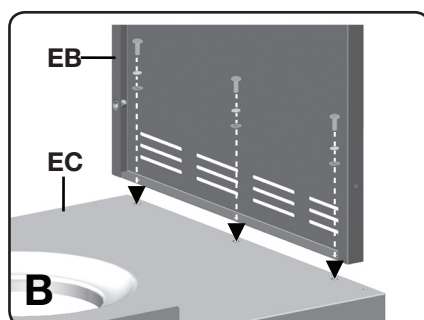
YOU WILL NEED:



2.



Front view

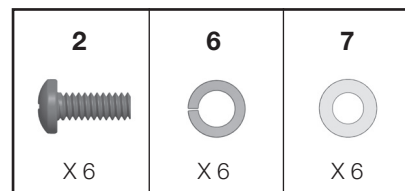


Close up

a. Ensure that the wheels are firmly locked in the "ON" position before continuing.

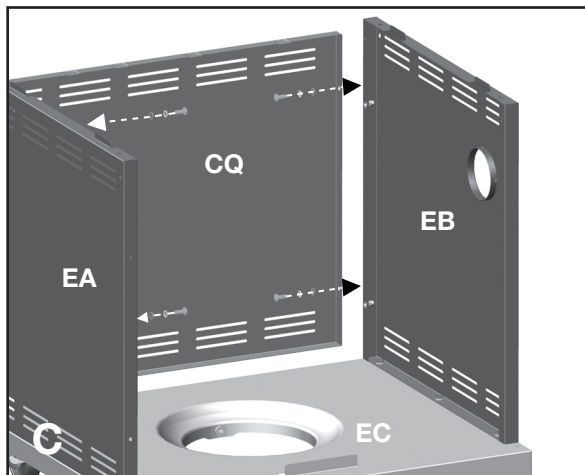
b. Assemble the Left Cart Side Panel (EA) and the Right Cart Side Panel (EB) to the Bottom Shelf (EC).

YOU WILL NEED:



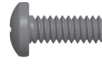


ASSEMBLY INSTRUCTIONS

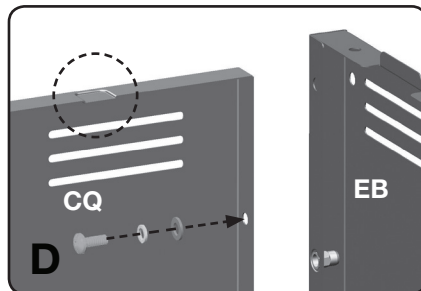
2.



c. Assemble the Lower Back Panel (CQ) to the Left Cart Side Panel (EA) and Right Cart Side Panel (EB).

YOU WILL NEED:

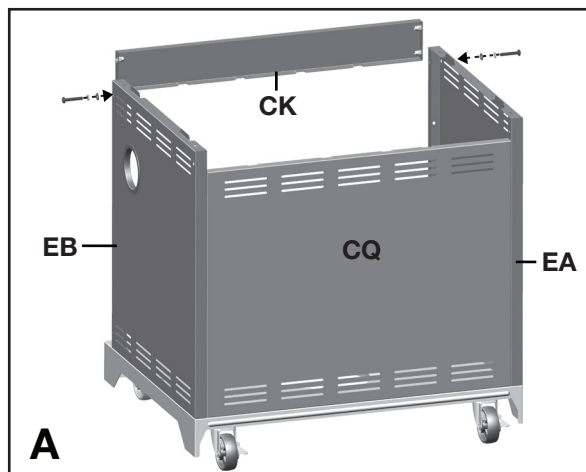
| | | |
|--|---|---|
| 2 | 6 | 7 |
|  |  |  |
| X 4 | X 4 | X 4 |



Close up

TIP: The top of the lower back panel (CQ) can be identified by the four recesses located on the top of this part.

3.






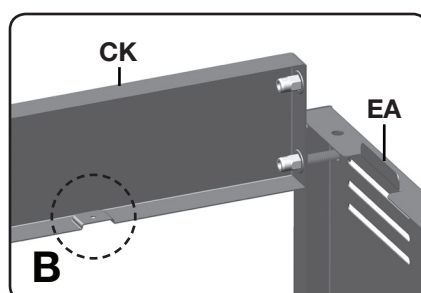
Back view

Attach the Front Brace (CK) to the Left and Right Cart Side Panels (EA and EB).

TIP: One person should align the left side, while the second person assembles the right side.

YOU WILL NEED:

| | | |
|--|---|---|
| 1 | 6 | 7 |
|  |  |  |
| X 2 | X 2 | X 2 |

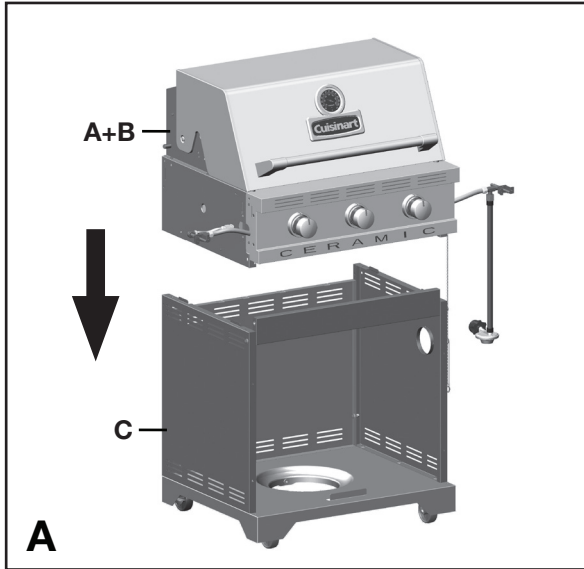


Close up

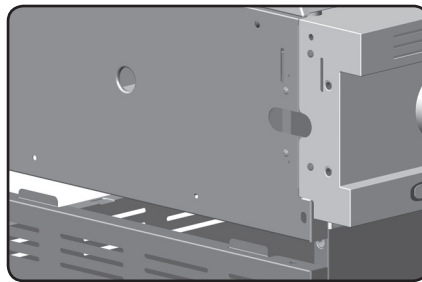
TIP: The bottom of the front brace (CK) can be identified by the four recesses located on the bottom of this part.

ASSEMBLY INSTRUCTIONS

4.



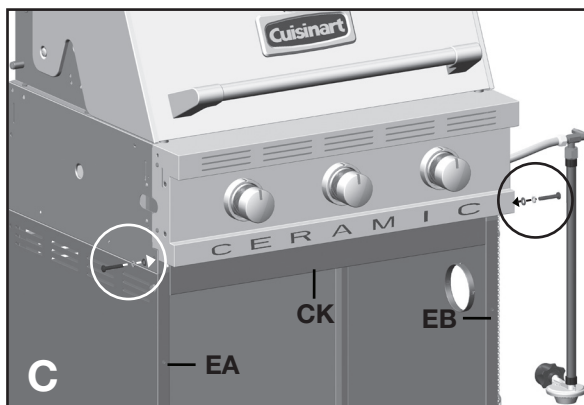
Front view



Close up - left outside view



Back view






Front view

**THIS STEP REQUIRES 3 PEOPLE.
DO NOT ATTEMPT ALONE. EXTREMELY
HEAVY.**

a. Position the Top Lid and Burner Box Assembly (A and B) onto Cart Assembly (C), as shown.




b. Assemble Burner Box Assembly (A and B) to the Left and Right Cart Side Panels (EA and EB), as shown.

YOU WILL NEED:

| | | |
|--|---|---|
| 2 | 6 | 7 |
|  |  |  |
| X 4 | X 4 | X 4 |

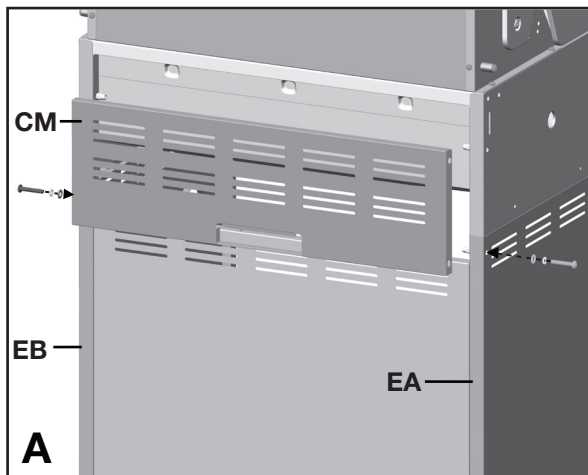
c. Assemble the front of the Burner Box Assembly (A and B) to the Front Brace (CK), as shown.

YOU WILL NEED:

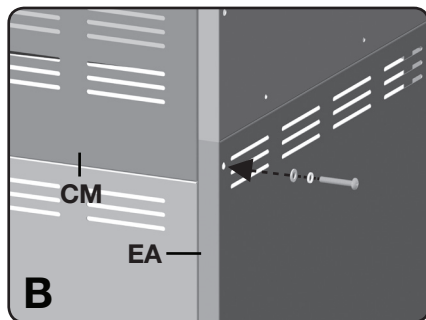
| | | |
|--|---|---|
| 1 | 6 | 7 |
|  |  |  |
| X 2 | X 2 | X 2 |

ASSEMBLY INSTRUCTIONS

5.



Back view






Close up

Attach the Upper Back Panel (CM) to both the Left and Right Cart Side Panels (EA and EB).

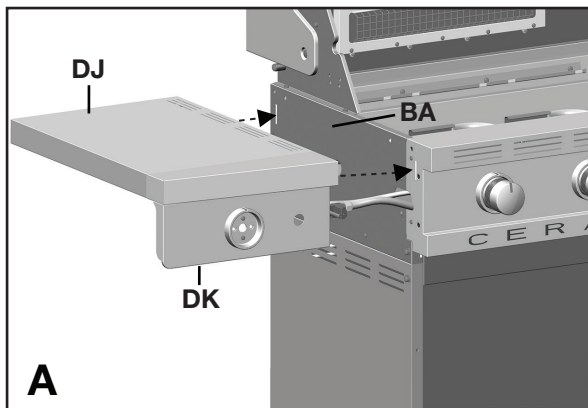
Only install hardware in the bottom portion of the Upper Back Panel (CM), as shown in figure B.

DO NOT TIGHTEN SCREWS UNTIL SIDE SHELF HAS BEEN INSTALLED.

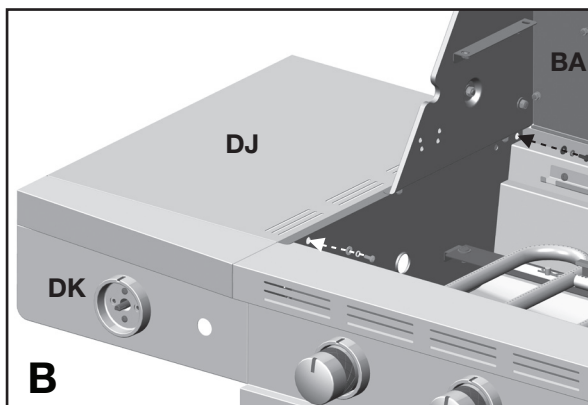
YOU WILL NEED:

| | | |
|--|---|---|
| 1 | 6 | 7 |
|  |  |  |
| X 2 | X 2 | X 2 |

6.



Front, left side view






View inside burner box

a. Open the Lid. Assemble the Left Side Shelf Assembly (DJ and DK) to the Cart Assembly by inserting the Side Shelf Tabs into holes on the Cart Assembly (figure A).

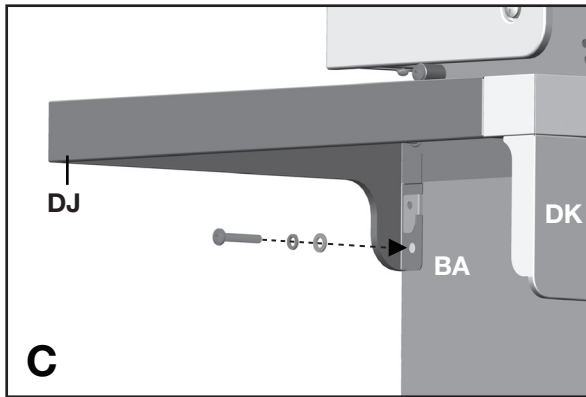
b. Secure using hardware, as shown in figure B, C & D.

YOU WILL NEED:

| | | |
|--|---|---|
| 2 | 6 | 8 |
|  |  |  |
| X 2 | X 2 | X 2 |




ASSEMBLY INSTRUCTIONS

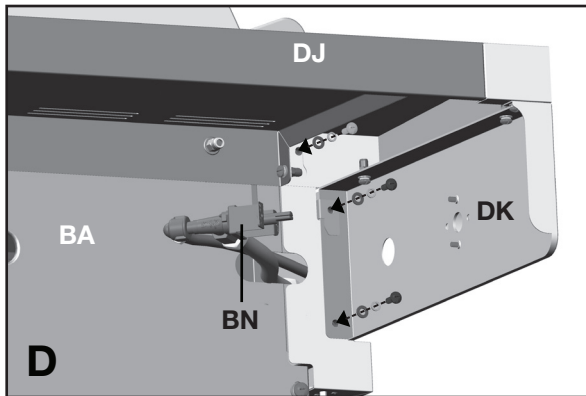
6.



View under left side shelf (back)




YOU WILL NEED:

| | | |
|--|---|---|
| 1 | 6 | 7 |
|  |  |  |
| X 1 | X 1 | X 1 |



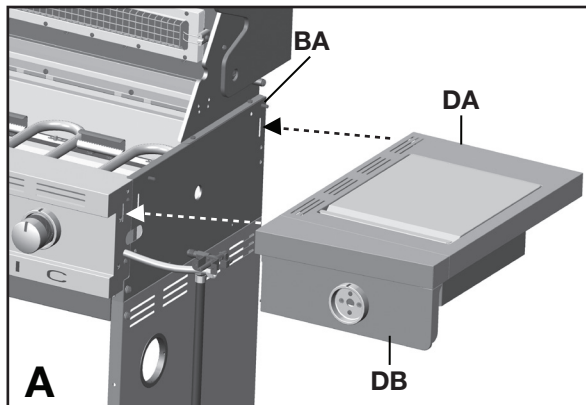
View under left side shelf (front)

YOU WILL NEED:

| | | |
|--|---|---|
| 3 | 9 | 10 |
|  |  |  |
| X 3 | X 3 | X 3 |

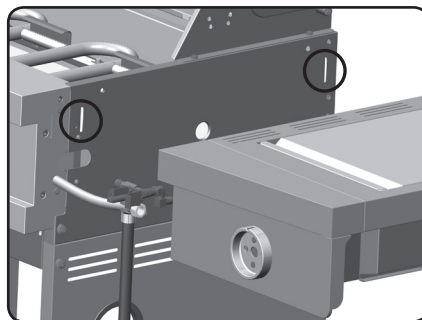
NOTE: Beware of sharp edges.

7.



Front, right side view

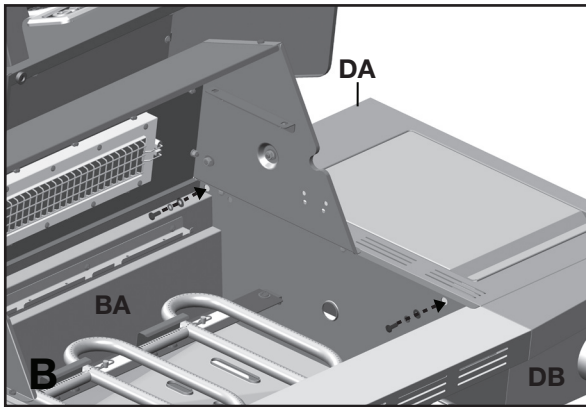
a. Open the lid. Assemble the Right Side Shelf Assembly (DA and DB) to the Cart Assembly by inserting the Side Shelf tabs into the holes on the Cart Assembly (figure A).



Close up

ASSEMBLY INSTRUCTIONS




7.

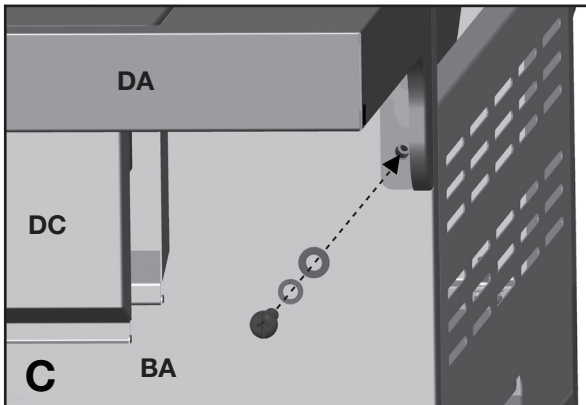


View inside burner box

b. Secure using hardware, as shown in figure B, C and D.




YOU WILL NEED:

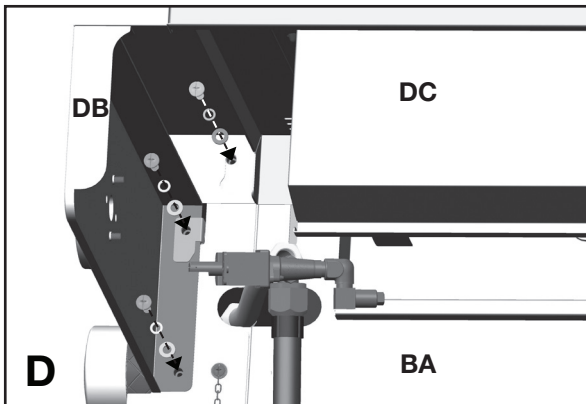
| | | |
|--|---|---|
| 2 | 6 | 8 |
|  |  |  |
| X 2 | X 2 | X 2 |



View under right side shelf (back)




YOU WILL NEED:

| | | |
|--|---|---|
| 1 | 6 | 7 |
|  |  |  |
| X 1 | X 1 | X 1 |



View under right side shelf (front)

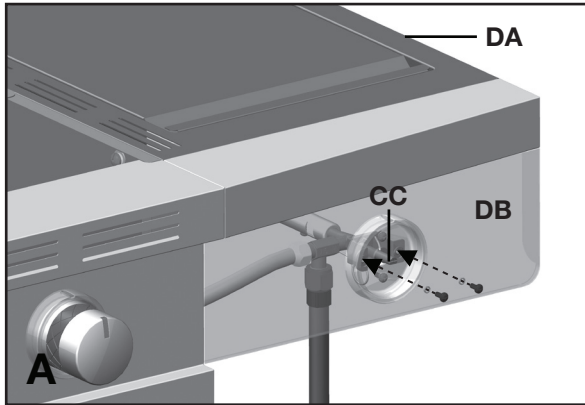
YOU WILL NEED:

| | | |
|--|---|---|
| 3 | 9 | 10 |
|  |  |  |
| X 3 | X 3 | X 3 |

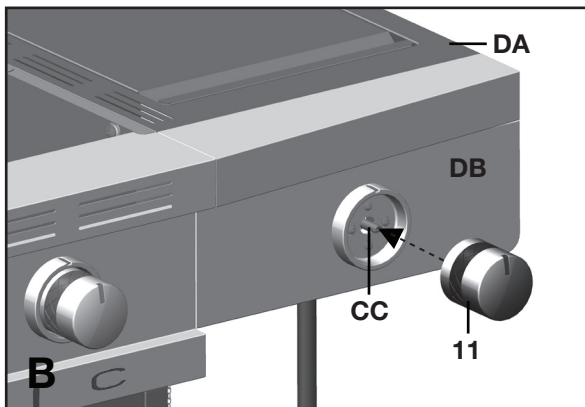
NOTE: Beware of sharp edges.

ASSEMBLY INSTRUCTIONS

8.



Front, right side view



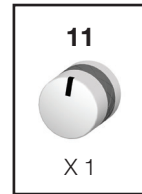
Front, right side view

a. Remove the hardware that is pre-assembled to the Side Burner Valve bracket (CC), as shown in figure A.

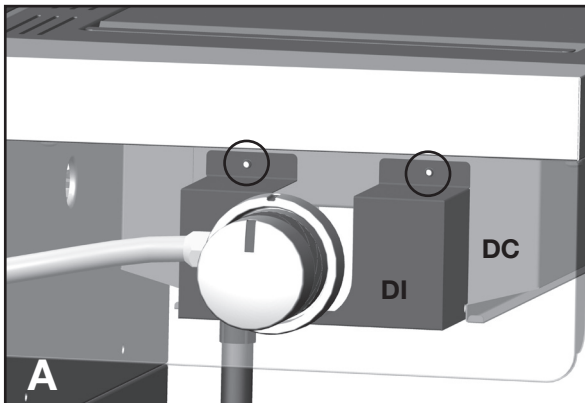
b. Insert the Side Burner Valve stem (CC) through the rear of the Right Side Shelf Fascia (DB). Assemble the Side Burner Valve (CC) to the Side Shelf Fascia (DB), using the hardware removed (figure A).

c. Assemble the Side Burner Control Knob (#11) to the Side Burner Valve (CC) (figure B).

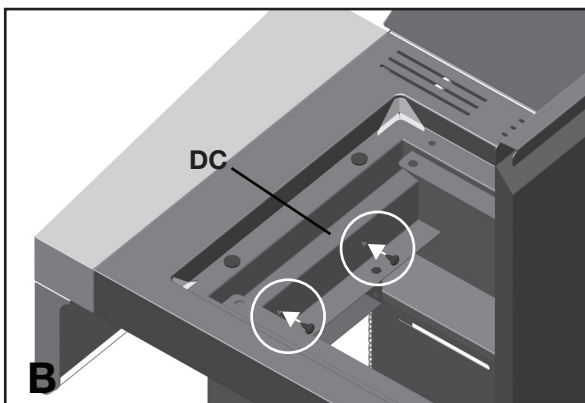
YOU WILL NEED:



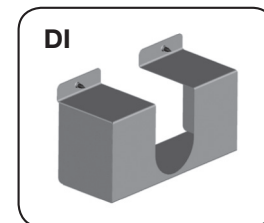
9.



Front, right side view

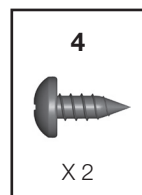


View from above right side shelf



a. Assemble the Infrared Side Burner Wind Shield (DI) to the Infrared Support Frame (DC), as shown in figure A and B.

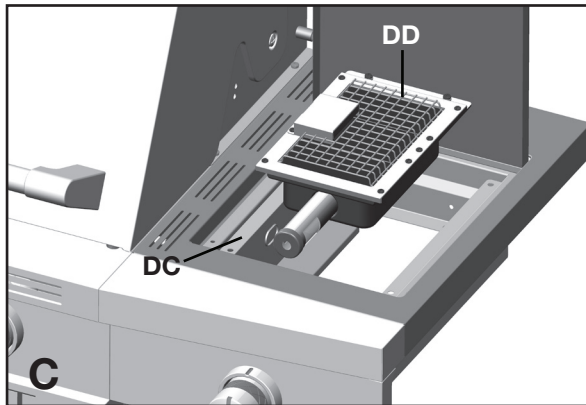
YOU WILL NEED:



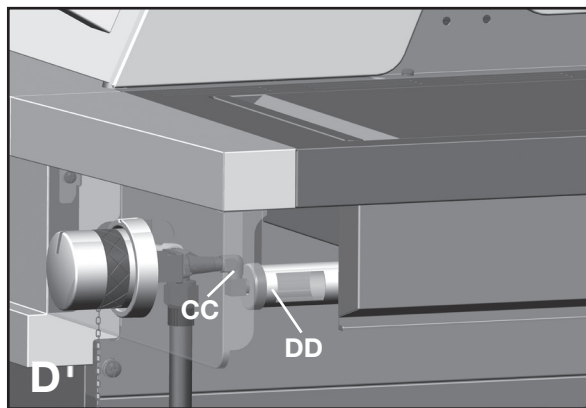
NOTE: Two people recommended.

ASSEMBLY INSTRUCTIONS

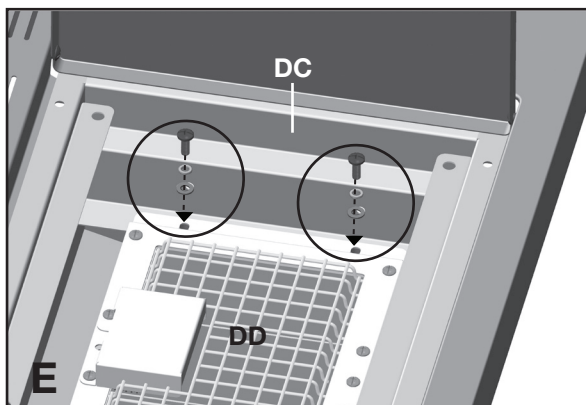
9.



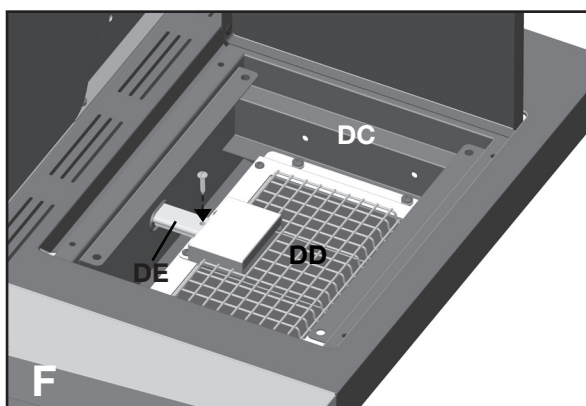
Front, right side view



View from underneath right side shelf



View from above right side shelf






View from above right side shelf

b. Position the Infrared Zone Side Burner (DD) through the opening in the Infrared Support Frame (DC).

c. Make sure that the Infrared Zone Side Burner (DD) engages the Side Burner Valve (CC) gas jet, as shown in figure D.


d. Assemble the Infrared Zone Side Burner (DD) to the Infrared Zone Support Frame (DC), at the 2 points indicated in figure E.

YOU WILL NEED:

| | | |
|--|---|---|
| 3 | 9 | 10 |
|  |  |  |
| X 2 | X 2 | X 2 |

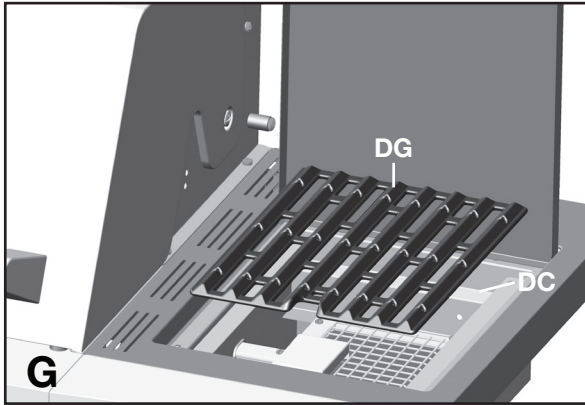
e. Feed the Infrared Zone Electrode set (DE) from underneath the Infrared Zone Side Burner (DD), through the small opening on the left side of the Infrared Zone Support Frame (DC). Align and assemble the electrode using the self tapping screw provided, as shown in figure F.

YOU WILL NEED:

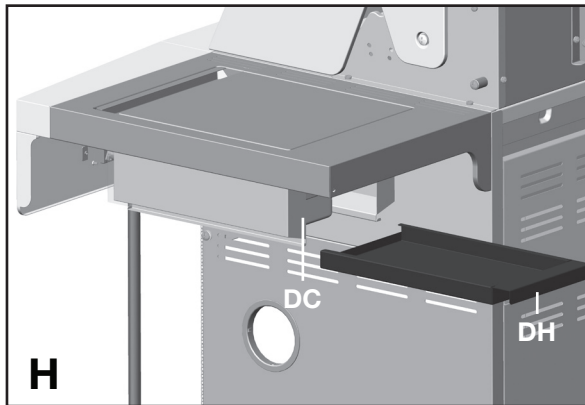
| |
|--|
| 5 |
|  |
| X 1 |

ASSEMBLY INSTRUCTIONS

9.



Front, right side view

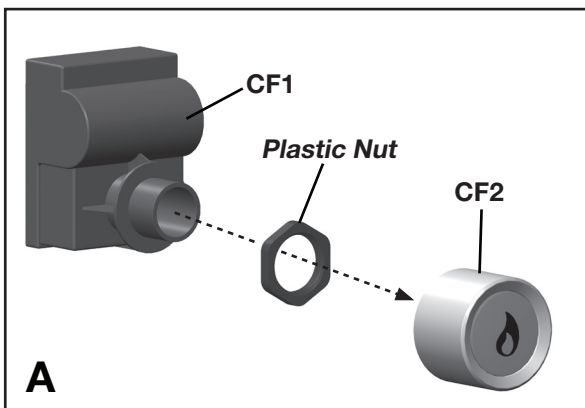


Back, right side view

f. Position the Infrared Zone Cooking Grate (DG) on the Infrared Zone Support Frame (DC).

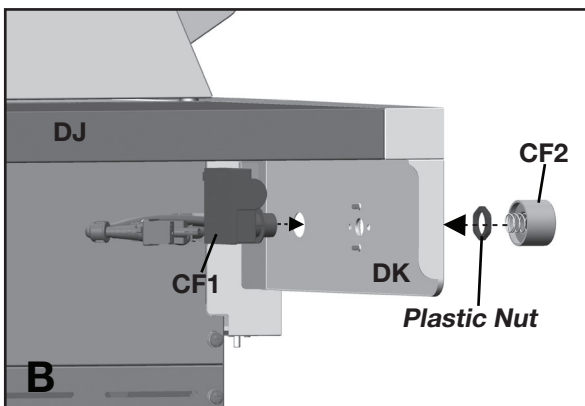
g. Insert the Infrared Grease Tray (DH) into the back of the Infrared Zone Support Frame (DC), as shown.

10.



A

a. Remove the Electronic Ignition Battery Cap (CF2) and the plastic nut from the Electronic Ignition Assembly (CF1).



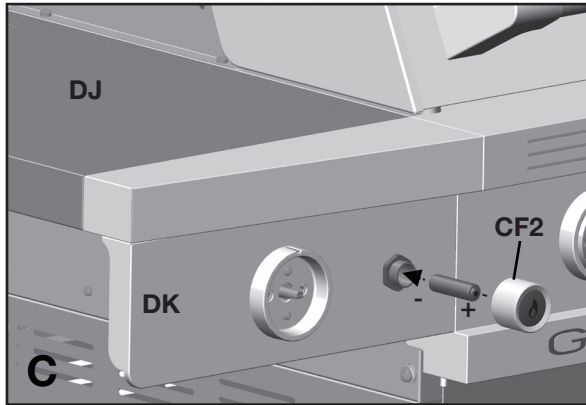
B

View under left side shelf

b. Feed the Electronic Ignition Assembly (CF1) through the opening in the Left Side Shelf Fascia (DK) and secure using the nut.

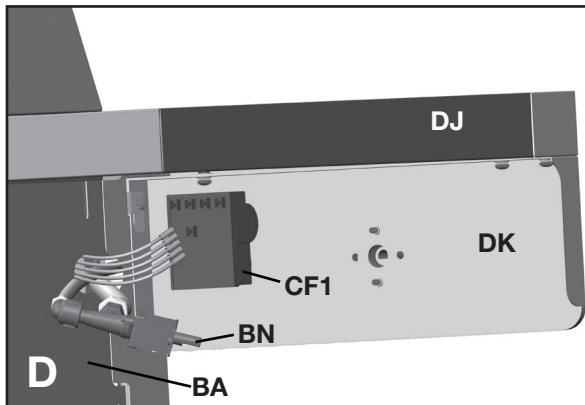
ASSEMBLY INSTRUCTIONS

10.



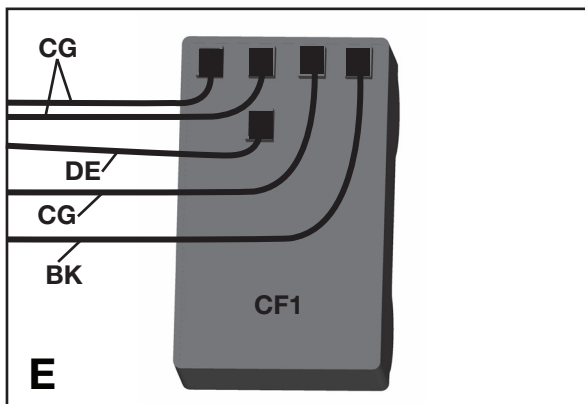
Front, left side view

- c. Insert one “AA” battery into the battery compartment with the positive end facing outward, as shown. Secure using the Electronic Ignition Battery Cap (CF2).



View under left side shelf

- TIP:** The Electrode set for Main Burner (CG), the Electrode wire for Infrared Zone (DE), the Electrode wire for Rotisserie Burner (BK) can be found fastened together with the Rotisserie Valve (BN) hanging from the left side of Control Panel on the outside of the burner box (BA), as shown.

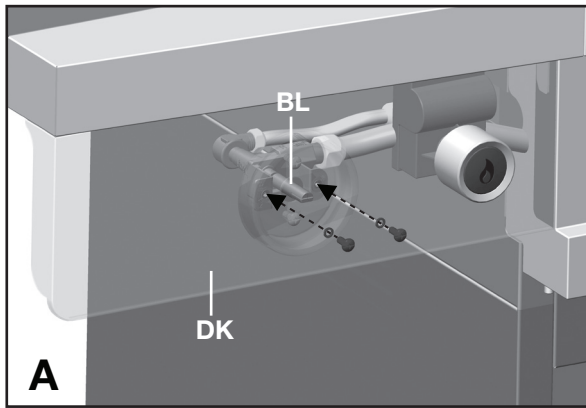


- d. Insert all Electrode wires (CG, DE, BK) into the Electronic Ignition Assembly (CF1), as shown in figure E.

- NOTE:** All electrode wire connection points are the same size.

ASSEMBLY INSTRUCTIONS

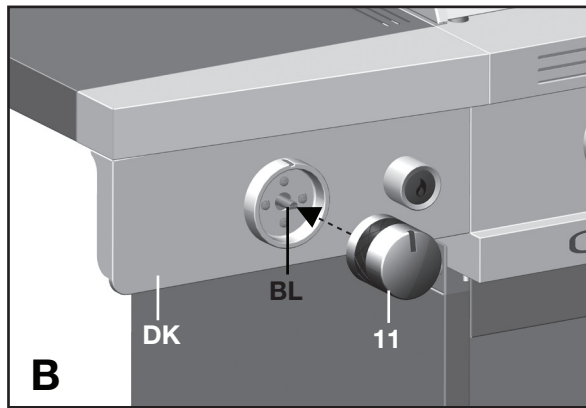
11.



Front, left side view

a. Remove the hardware that is pre-assembled to the Rotisserie Valve bracket (BN), as shown in figure A.

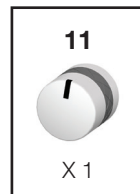
b. Insert the Rotisserie Burner Valve stem (BN) through the rear of the Left Side Shelf Fascia (DK). Assemble the Rotisserie Valve (BL) to the Side Shelf Fascia (DK), using the hardware removed (figure A).



Front, left side view

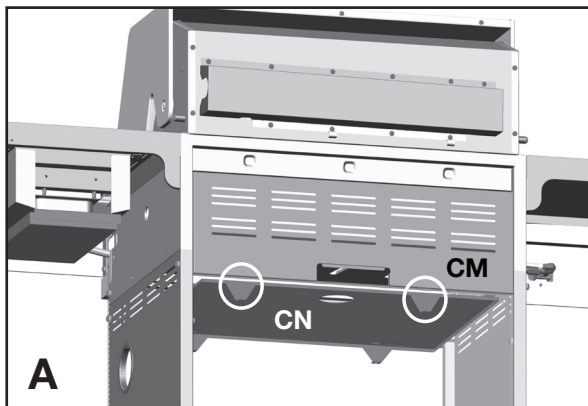
c. Assemble the Control Knob (#11) to the Rotisserie Valve (BN).

YOU WILL NEED:

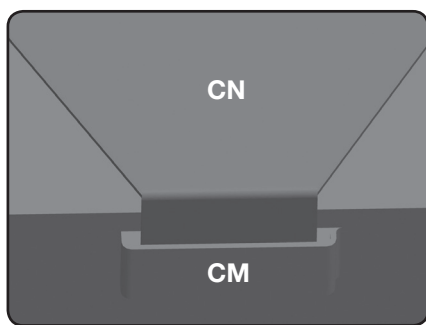


ASSEMBLY INSTRUCTIONS

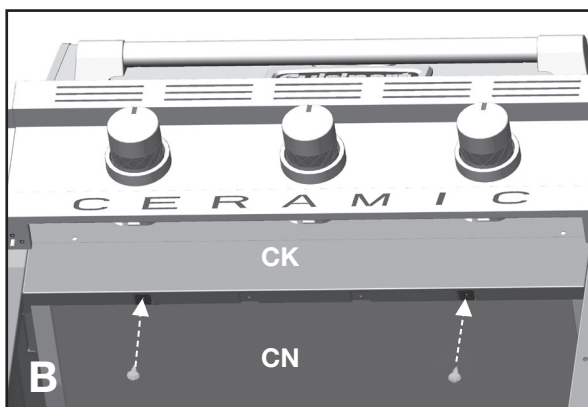
12.



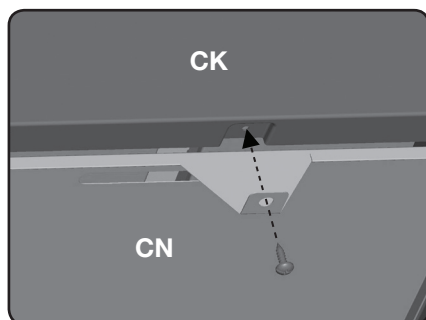
Back view



Close up, back



Front view

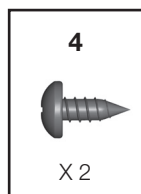


Close up, front

- a. Position the Heat Shield (CN) into the two hooks located on the bottom of the Upper Back Panel (CM), as shown in figure A.

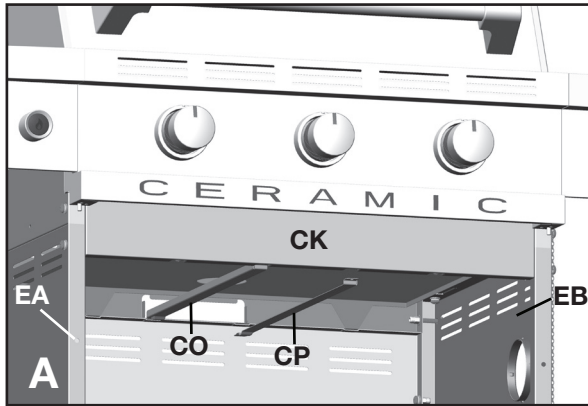
- b. Assemble the Heat Shield (CN) to the bottom of the Front Brace (CK), as shown in figure B.

YOU WILL NEED:

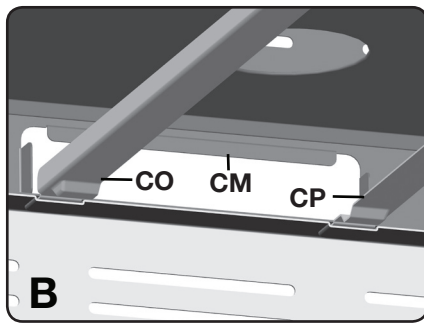


ASSEMBLY INSTRUCTIONS

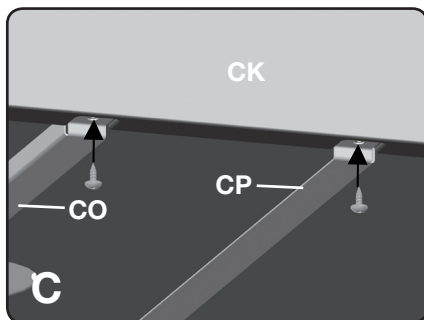
13.



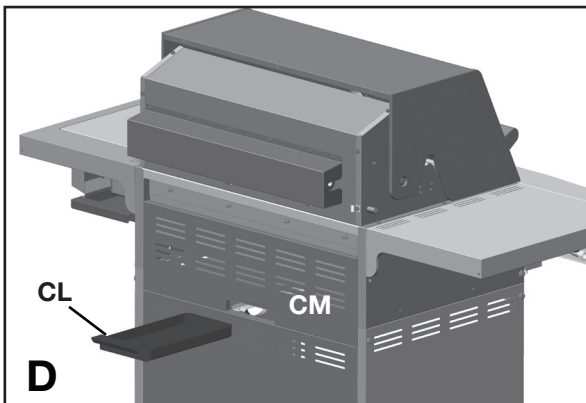
Front view



Close up, back



Close up, front



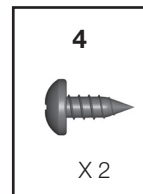
Back view

a. Assemble the Left and Right Tracks (CO and CP) for the Grease Tray (CL), as shown in figure A-C.

b. Both the Left and Right Tracks (CO and CP) should be inserted into the two clips located on the Upper Back Panel (CM), as shown in figure B.

c. Assemble the front of the Left and Right Tracks (CO and CP) to the Front Brace (CK), as shown in figure C.

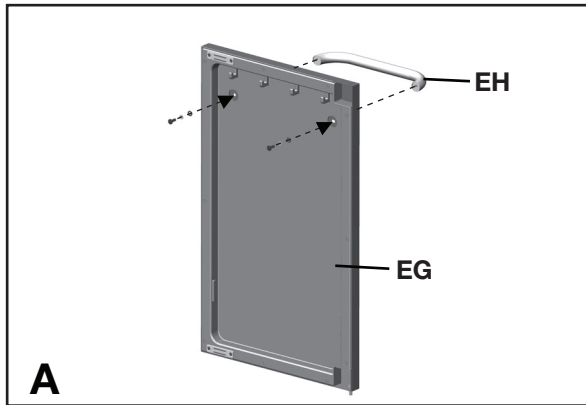
YOU WILL NEED:



d. Insert the Grease Tray (CL) into the opening of the Upper Back Panel (CM).




ASSEMBLY INSTRUCTIONS

14.



Assemble the Door Handle (EH) to the Left and Right Door Assembly (EF and EG) as shown in figure A.

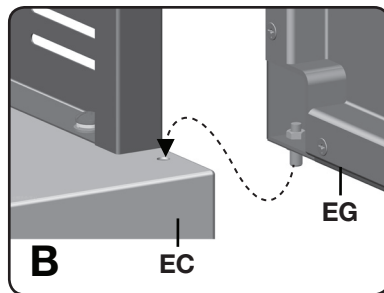
YOU WILL NEED:

| | | |
|--|---|---|
| 3 | 9 | 10 |
|  |  |  |
| X 4 | X 4 | X 4 |

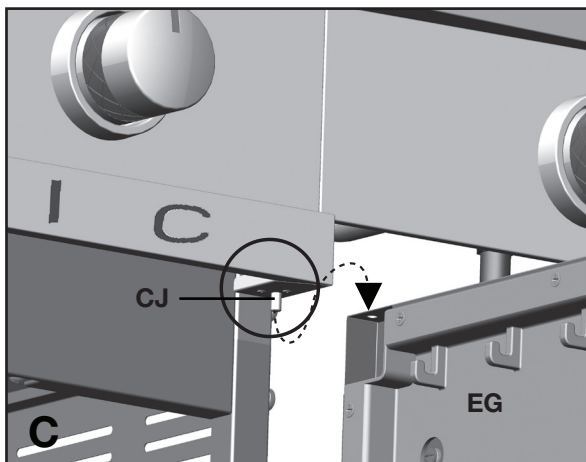
15.



a. Assemble the Right Door Assembly (EG), to the Bottom Shelf (EC) by inserting the fixed pin (bottom of door) into the hole provided (figure B).



Bottom of door



Top of door

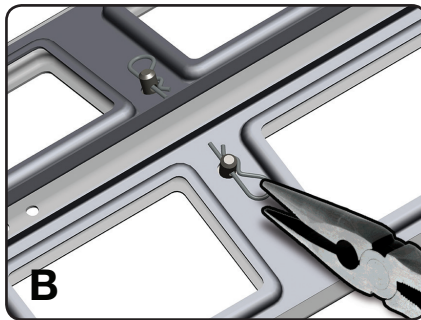
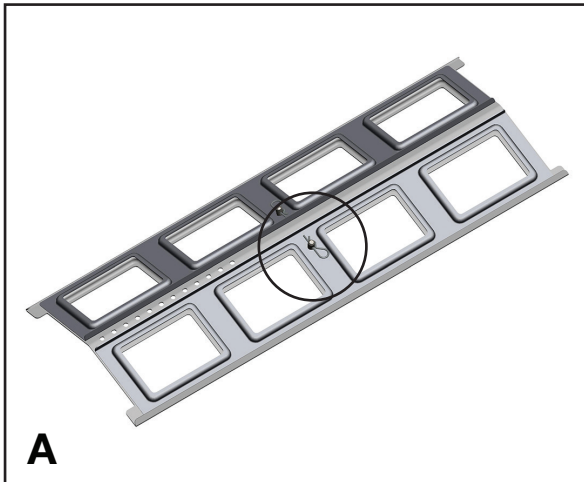
b. Assemble the top of the Door Assembly (EG) to the Control Panel (CJ), by pressing in the door support pin and aligning with the hole located on the top right corner of the door.

TIP: Use a paint scraper to press-in the support pin, while the second person aligns the door. The support pin will lock into position when the door is assembled correctly.

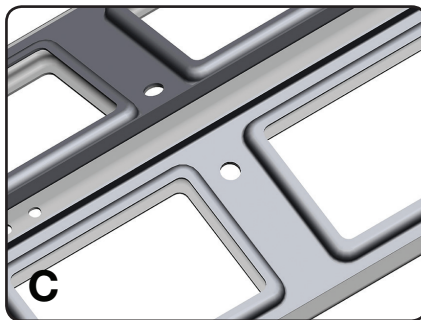
c. Repeat steps a and b for the Left Door Assembly (EF).

ASSEMBLY INSTRUCTIONS

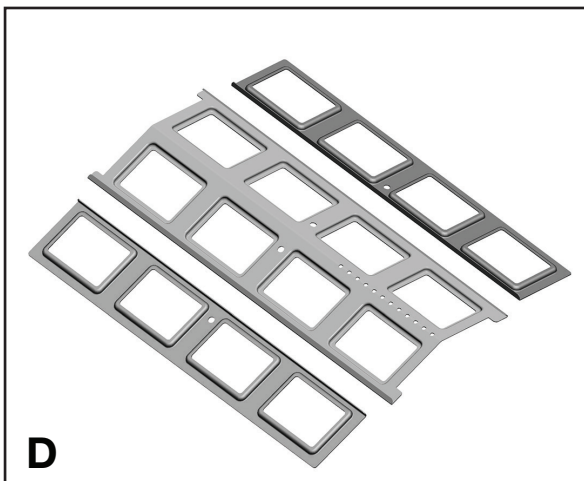
16.



Close up

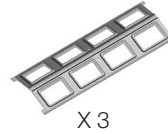


Close up



To assemble the Ceramic Heat Plates, locate the following:

3-pc. Stainless Steel Radiant (BD)



X 3

Ceramic Stone (BE)



X 24

⚠ ATTENTION: For the purpose of safe shipping and transit, the Stainless Steel Radiants and the Ceramic Stones, have been shipped separately, and will require assembly. Use care when handling the carton labeled Ceramic Stones.

- a. Remove the 2 hitch pins and connectors from the 3-pc. Stainless Steel Radiant (BD), as shown in Figure A and B.

Put these parts aside for Step E:

Hitch Pin



X 2

Connector

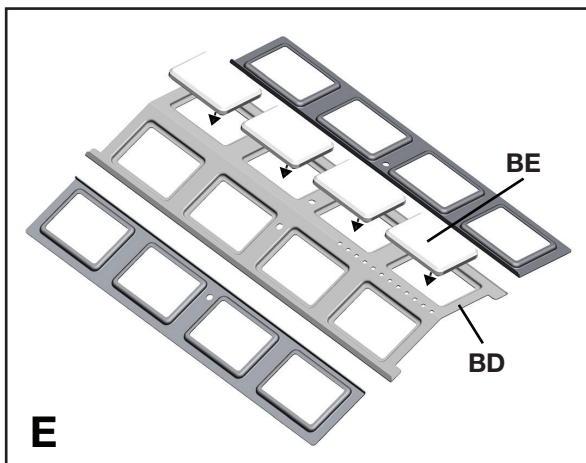


X 2

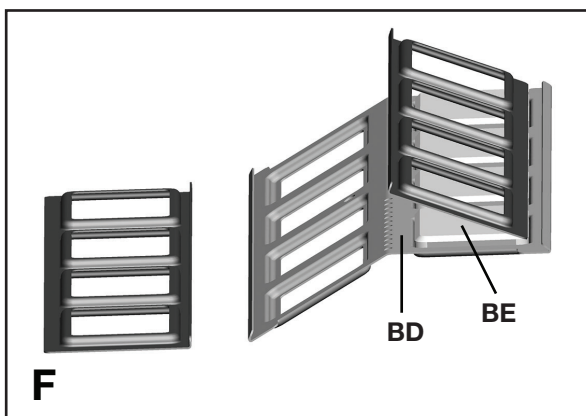
- b. Detach the right and left frames from the top of the stainless steel radiant (BD), as shown in figure D.

ASSEMBLY INSTRUCTIONS

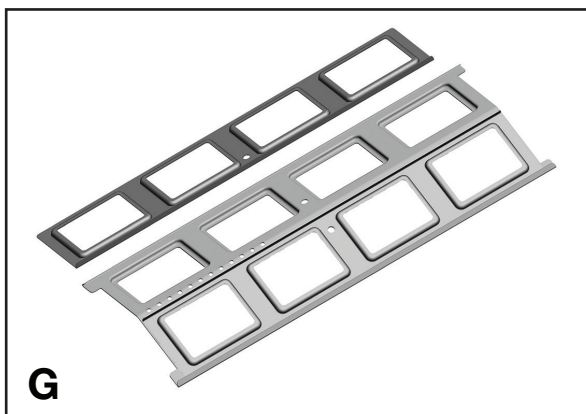
16.



c. Insert the Ceramic Stones (BE) into the openings on the right side of the Stainless Steel Radiant (BD).

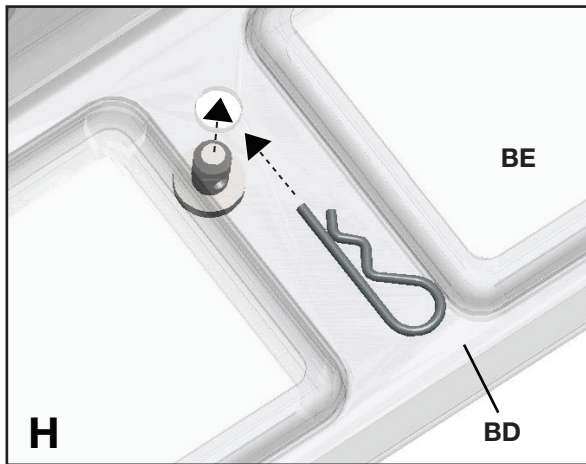


d. Secure the Ceramic Stones (BE) in place by assembling the right frame back onto the Stainless Steel Radiant (BD), as shown in figure F and G.



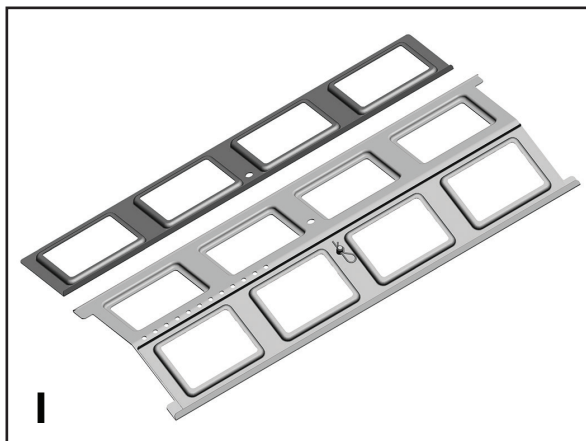
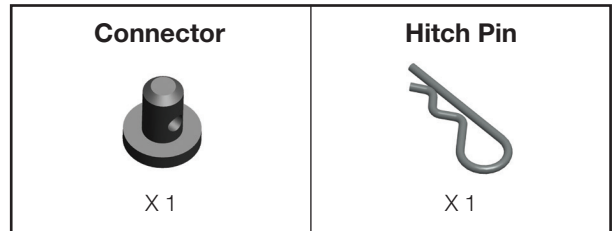
ASSEMBLY INSTRUCTIONS

16.

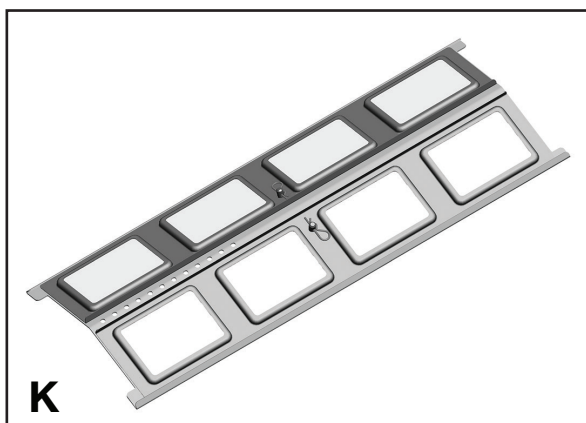


e. Secure using one set of the connectors and hitch pins, removed in step 20A, as shown in figures H – J.

You will need these parts from Step A:



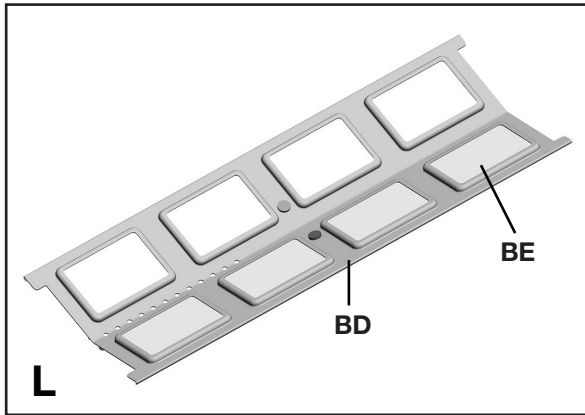
Close up



f. Repeat steps C and D for the left side of the Stainless Steel Radiant (BD) to complete assembly. Figure K shows the assembled Ceramic Heat Plate.

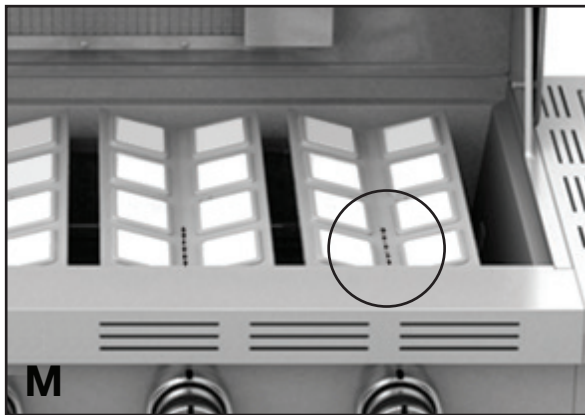
ASSEMBLY INSTRUCTIONS

16.



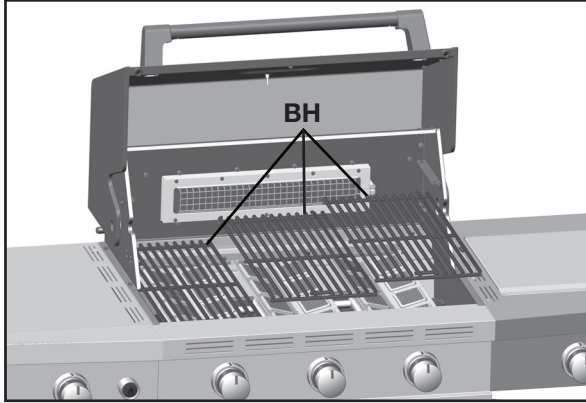
g. Once assembled, position Ceramic Heat Plates (BD + BE) into the Burner Box (BA), as shown in figure L and M.

NOTE: The ports in the middle of the heat plate should be at the front of the burner box. Hitch Pins should be on the underside of the Ceramic Heat Plate.



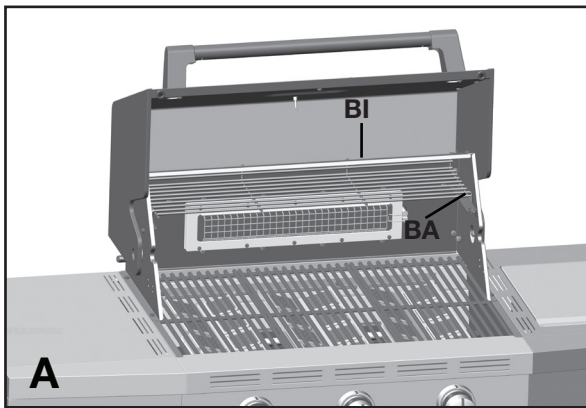
ASSEMBLY INSTRUCTIONS

17.

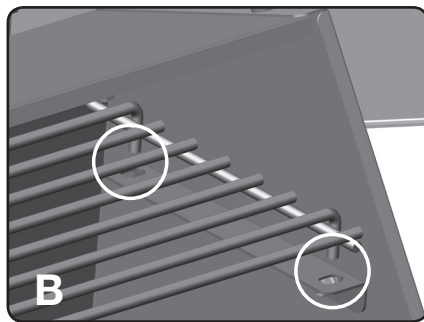


Place the Cooking Grates (BH) into the Burner Box (BA), as shown.

18.



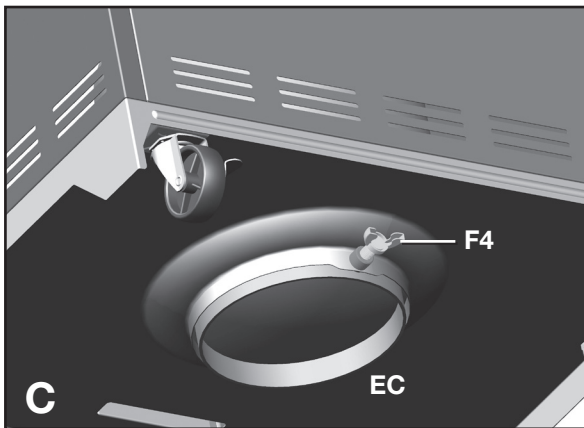
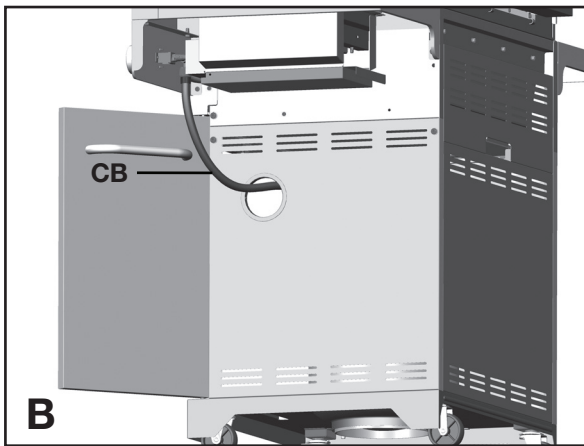
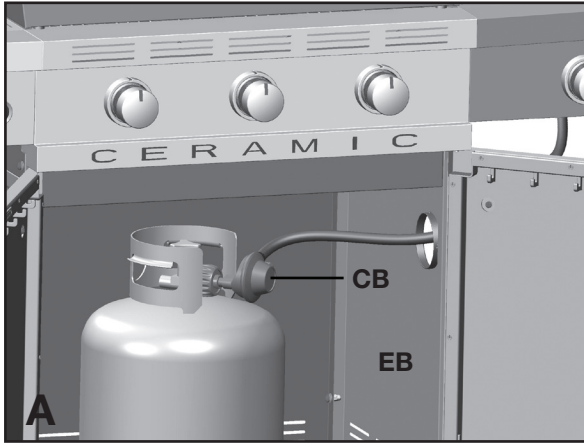
Assemble the Warming Rack (BI) by inserting the fixed pins into the warming rack support bars located on the Burner Box (BA), as shown in figure A and B.



Close up

ASSEMBLY INSTRUCTIONS

19.



FOR PROPANE MODELS ONLY.

For natural gas model, follow step 20.

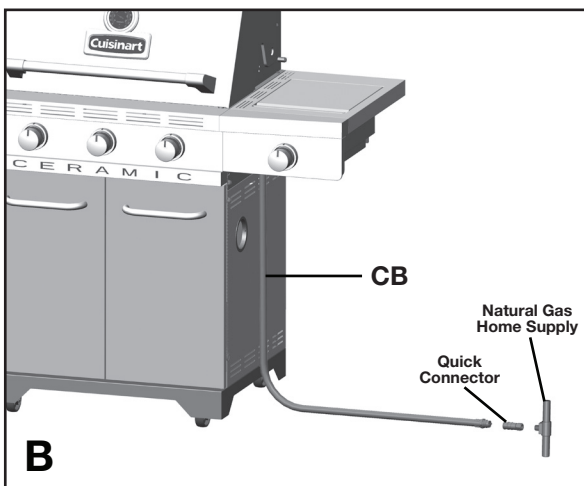
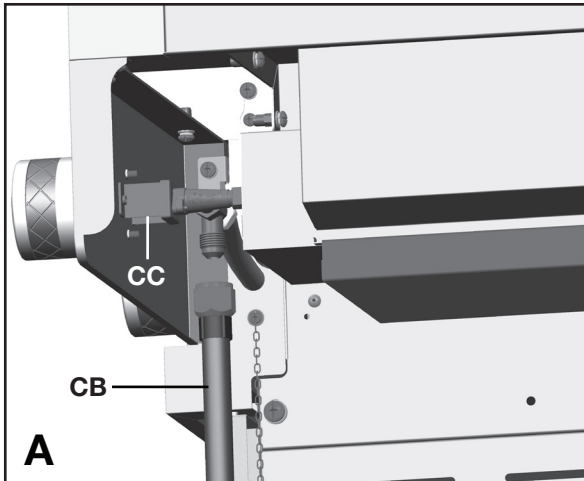
- Position the Regulator Hose (CB) through the hole in the Right Side Panel (EB).
- Attach the regulator coupling nut to the LP cylinder valve. Be careful not to cross thread. Hand tighten only.
- Position the 20 lb propane tank onto the Bottom Shelf (EC), and secure using the Bolt (F4) (already attached) located on the underside of the Bottom Shelf, as shown in figure C.
- Perform Leak Test. See page 5 of the Cuisinart® Safety and Care Manual.

⚠ ATTENTION: For your families safety, do not attempt to light this BBQ until you have reviewed pages 4-7 of the Cuisinart® Safety & Care Manual.
All Safety and Leak Test MUST BE PERFORMED BY THE END USER, prior to lighting this BBQ.

⚠ WARNING Do not store extra propane tanks within BBQ cart.

ASSEMBLY INSTRUCTIONS

20.



FOR NATURAL GAS MODEL ONLY.

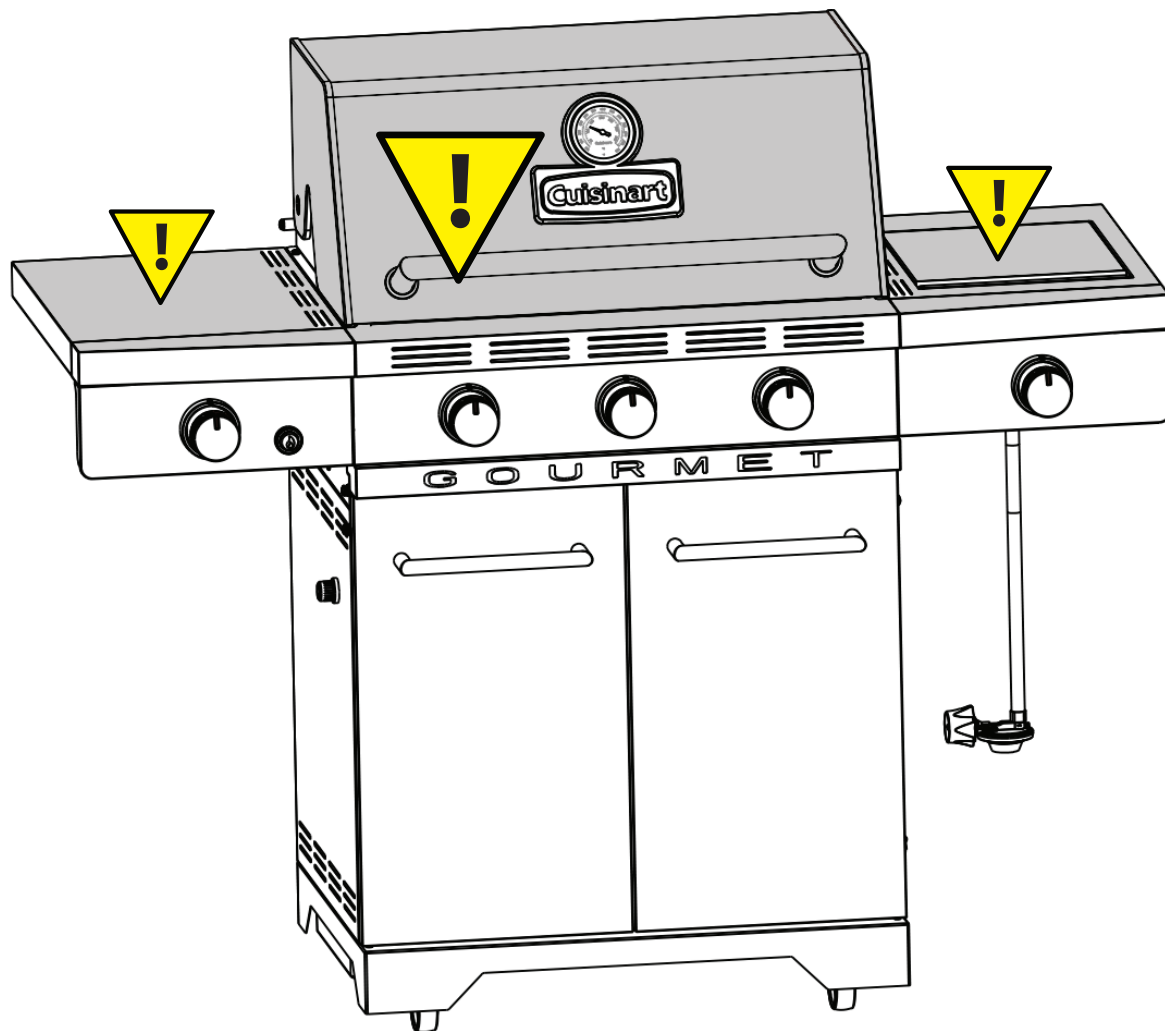
- Attach the Natural Gas Hose (CB) to the Side Burner Valve (CC) as shown.
- Perform Leak Test. See page 6 of the Cuisinart® Safety and Care Manual.

⚠ ATTENTION: In order to complete installation of your Natural Gas BBQ a 1/2" or 3/8" adapter may be required to connect your BBQ's Natural Gas hose to your home gas supply. Contact your Natural Gas supplier to purchase the necessary part.

⚠ ATTENTION: For your families safety, do not attempt to light this BBQ until you have reviewed pages 4-7 of the Cuisinart® Safety & Care Manual. **All Safety and Leak Test MUST BE PERFORMED BY THE END USER, prior to lighting this BBQ.**

⚠ WARNING: For all new, at home, natural gas connections please contact a certified gas technician to install your natural gas barbecue.

⚠ WARNING HOT SURFACES



- **CAUTION!**
- **AVOID BURNS!**
- **DO NOT TOUCH WHEN BBQ IS IN USE!**
- **EXTREMELY HOT SURFACE!**
- * **SHADED AREAS BECOME EXTREMELY HOT WHEN IN USE.**

Cuisinart®

Visit www.cuisinartbbqs.com
to complete product registration.

Cuisinart® Gourmet Barbecues Customer Service:
1-800-309-3452

Join the conversation



facebook.com/cuisinartbbqs



twitter.com/cuisinartbbqs