

SERIAL NO./ N° DE SÉRIE



# VERMONT CASTINGS<sup>TM</sup><sub>MC</sub>

## VERMONT CASTINGS VANGUARD<sup>TM/MC</sup> 2-BURNER BARBECUE

### G36603 ASSEMBLY MANUAL

YOUR FEEDBACK IS IMPORTANT TO US  
SHARE YOUR EXPERIENCE BY WRITING A REVIEW AT

[WWW.CANADIANTIRE.CA](http://WWW.CANADIANTIRE.CA)

Before you begin >>>



ENHANCE YOUR ASSEMBLY WITH A  
QUICKER & EASIER ASSEMBLY EXPERIENCE  
DOWNLOAD THE FREE APP



LAST UPDATE: SEP 25, 2020



## WELCOME TO VERMONT CASTINGS

Founded in 1975, Vermont Castings has always stood for uncompromising commitment to quality craftsmanship and meaningful design. Our wood stoves and hearth products deliver more than heat – they create a warmth that unites.

Lit with purpose, our line of Vermont Castings barbecues are designed to deliver your best grilling experience. With a durable, robust construction built to last through the years, thoughtfully constructed components that stand up to grilling in any season, and a simplified system to make maintaining your investment easier, Vermont Castings continues the promise of unwavering quality and purposeful design.

Vermont Castings barbecues do more than just grill. They let you create enduring connections around food and flame.



ANS Z21.58-2018 / CSA1.6-2018  
Outdoor Cooking Gas Appliances



ANS Z21.58-2018 / CSA1.6-2018  
Outdoor Cooking Gas Appliances

CONTACT US: 1-844-586-4660  
[WWW.VERMONTCASTINGSBBQ.COM](http://WWW.VERMONTCASTINGSBBQ.COM)

PLEASE KEEP THIS MANUAL WITH YOUR  
BARBECUE FOR FUTURE REFERENCE



## HEAVY ARTICLE NEEDS 2 TO LIFT

### THIS MANUAL MUST REMAIN WITH THE PRODUCT AT ALL TIMES

To ORDER non-warranty replacement parts or accessories, please visit us on the web at [www.vermontcastingbbq.com](http://www.vermontcastingbbq.com)

#### **⚠ CAUTION**

Sharp edges. Wear gloves when assembling your grill.

#### **⚠ CAUTION**

Read and follow all safety statements, assembly instructions, use and care directions before attempting to assemble and cook.

#### **⚠ INSTALLER OR ASSEMBLER/ CONSUMER**

This manual should be kept with the BBQ at all times.

#### **⚠ WARNING**

Failure to follow all of the Manufacturer's instructions could result in hazardous fires, explosions, property damage, or serious personal injury or even death.

Follow all leak check procedures carefully prior to operation of barbecue, even if grill was dealer assembled. Do not try to light this barbecue without reading the Lighting Instructions section of this manual.

#### **⚠ DANGER**

1. If you smell Gas:
  - a. Shut off gas to the appliance
  - b. Extinguish any open flame
  - c. Open lid
  - d. If odor continues, keep away from the appliance and immediately call your gas supplier or your fire department
2. Requires two people to complete the assembly process.
3. Beware of sharp edges.

#### **⚠ WARNING**

1. Do not store or use gasoline or other flammable liquids or vapours in the vicinity of this or any other appliance.
2. An LP cylinder not connected for use shall not be stored in the vicinity of this or any other appliance.

#### **⚠ WARNING**

IN DIRECT SUN, AND IN OPERATION, YOUR BBQ'S STAINLESS STEEL AND PAINTED STEEL PARTS CAN BECOME VERY HOT.

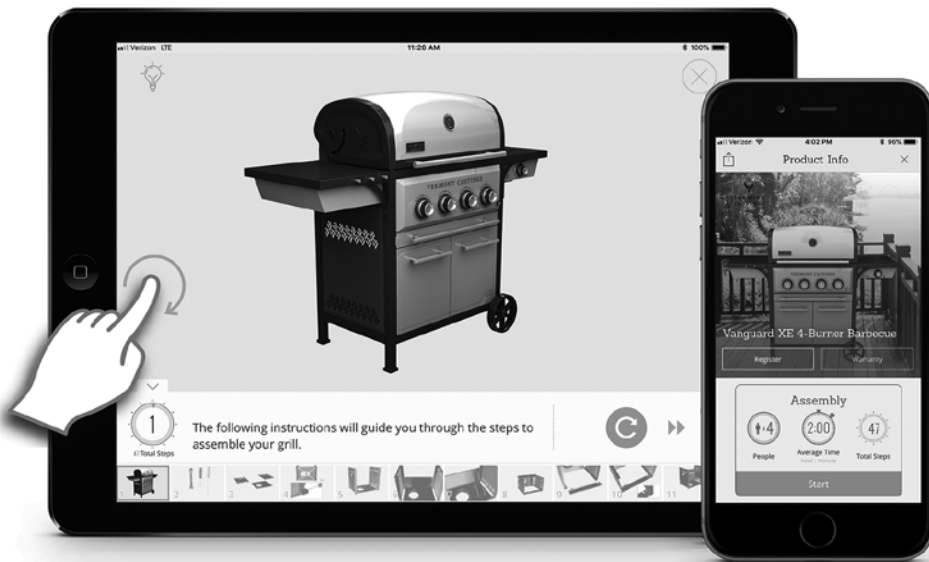
**THIS BARBECUE IS FOR OUTDOOR USE ONLY**

**CONTACT CALL CENTRE IF ANY PARTS ARE MISSING**

**1-844-586-4660**

# IMPORTANT

Easy step-by-step  
interactive 3D instructions  
*for this product can be found in*



## **BILT.** INTELLIGENT INSTRUCTIONS



Available on most iOS and Android Devices

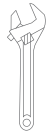
## DOWNLOAD THE **FREE** APP



# TOOLS REQUIRED



Screwdrivers



Wrench



4 People

# HARDWARE PACK

PART NO.	DESCRIPTION	PHOTO	QTY
1	¼"-20UNC x 13 Screw		23
2	NO.10-24UNC x 13 Screw		32
3	ST4.8 x 10 Tapping Screw		2
4	Wheel Bushing		3
5	Pin, Wheel		1
6	Spacer, Door Handle		2
7	Pin, Main Burner		2
8	NO.10-24UNC x 23 Screw		2
9	¼"-20UNC x 18 Screw		8
10	Electrode Wire Clip		3
11	Wrench		1
12	¼"-20UNC x 13 Dog Point Screw		6
13	NO.10-24UNC x 13 Hex Screw		4
14	AA Battery		1

# SYMBOLS



**SYMBOLS:** THESE SYMBOLS ARE USED THROUGHOUT THIS ASSEMBLY MANUAL TO EMPHASIZE CRITICAL AND IMPORTANT PART INFORMATION.

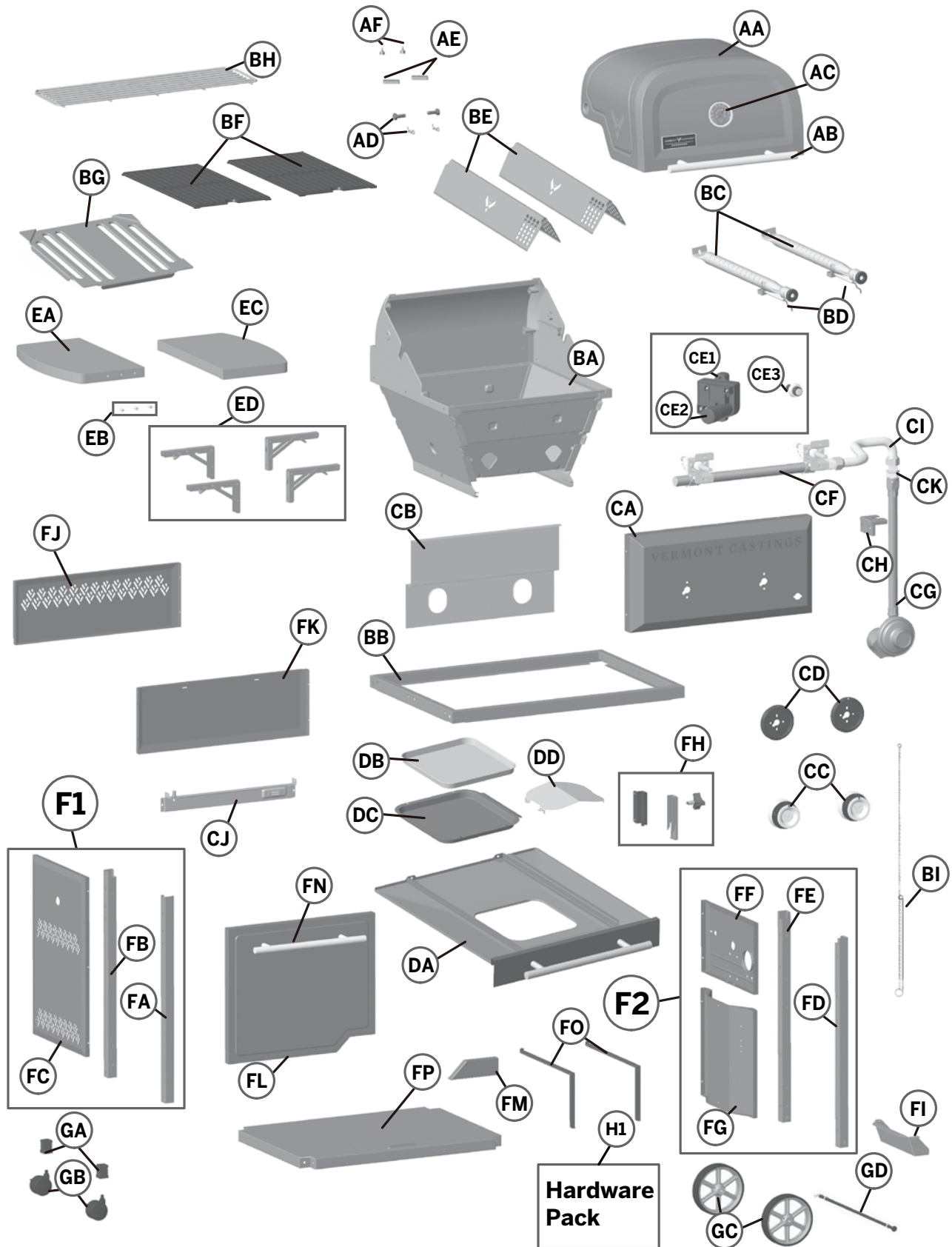
# PARTS

ITEM NO.	QTY.	DESCRIPTION	PART NO.
AA	1	Top Lid Assembly	G366-3000-02
AB	1	Lid Handle	G366-0037-02
AC	1	Thermometer	G366-0035-01
AD	2	Top Lid screw & hitch pin	G366-0038-02
AE	2	Lid Bumper, Front	G366-0050-01
AF	2	Lid Bumper, Rear	G560-5002-01
BA	1	Burner Box Assembly	G366-2200-01
BB	1	Top Frame	G366-0100-01
BC	2	Main Burners	G366-0700-01
BD	2	Electrode Set 650mm, Main Burner	G366-0030-01
BE	2	Heat plate	G366-0057-01
BF	2	Cooking Grate	G366-0064-01
BG	1	Heat Shield, Burner Box	G366-0061-01
BH	1	Warming Rack	G366-0033-01
BI	1	Match Holder	G570-0035-01
CA	1	Control Panel	G366-0009-01
CB	1	Heat Shield, Control Panel	G366-0049-01
CC	2	Control Knob	G366-1500-01
CD	2	Bezel, Control Knob	G366-0010-01
CE1	1	Electronic Ignition Module	G366-0006-01
CE2	1	Battery Cover	G366-0006-02
CE3	1	Ignition Switch	G366-0011-01
CF	1	Manifold Assembly	G366-1400-01
CG	1	Regulator	G312-1004-01
CH	1	Regulator Bracket	G366-0046-01
CI	1	Metal Hose	G508-0024-01
CJ	1	Front Brace with Door Magnet	G366-1900-01
CK	1	Hose Connector	G537-0002-01
DA	1	Grease Drawer Assembly	G366-2800-01
DB	1	Replacement Liner	G366-0056-01
DC	1	Grease Pan	G366-0055-01
DD	1	Heat Shield, Grease Pan	G366-0060-01

ITEM NO.	QTY.	DESCRIPTION	PART NO.
EA	1	Side Shelf Table, Left	G366-0062-01
EB	3	Tool Hooks	G366-0041-01
EC	1	Side Shelf Table, Right	G366-0063-01
ED	4	Side Shelf folding Support Brace	G366-2600-01
FA	1	Front Leg, Left (F1)	G366-1001-01
FB	1	Back Leg, Left (F1)	G366-1002-01
FC	1	Cart Side Panel, Left (F1)	G366-1003-01
FD	1	Front Leg, Right (F2)	G366-1101-01
FE	1	Back Leg, Right (F2)	G366-1102-01
FF	1	Upper Cart Side Panel, Right (F2)	G366-1103-01
FG	1	Lower Cart Side Panel, Right (F2)	G366-1104-01
FH	1	Cylinder support	G366-0024-02
FI	1	Tank Base Support	G366-0023-01
FJ	1	Upper Back Panel	G366-0008-01
FK	1	Lower Back Panel	G366-0007-01
FL	1	Door Assembly	G366-2000-01
FM	1	Lower Door Brace	G366-0015-01
FN	1	Door Handle	G366-0018-01
FO	1	Tank Exclusion Brace	G366-0014-01
FP	1	Bottom Panel	G366-0001-01
GA	2	Feet	G366-0002-01
GB	2	Caster with Lock	G357-0034-01
GC	2	Wheel	G366-1200-01
GD	1	Wheel Axle	G366-0003-01
H1	1	Hardware Pack	G366-B003-01
H2	1	Assembly Manual	G366-M003-01
H3	1	User Manual	G366-M003-02

# EXPLODED PARTS

START IT

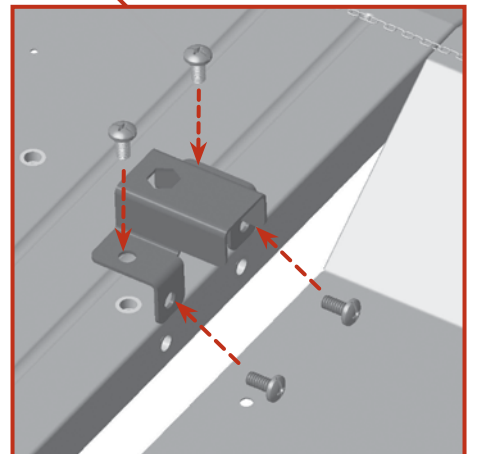
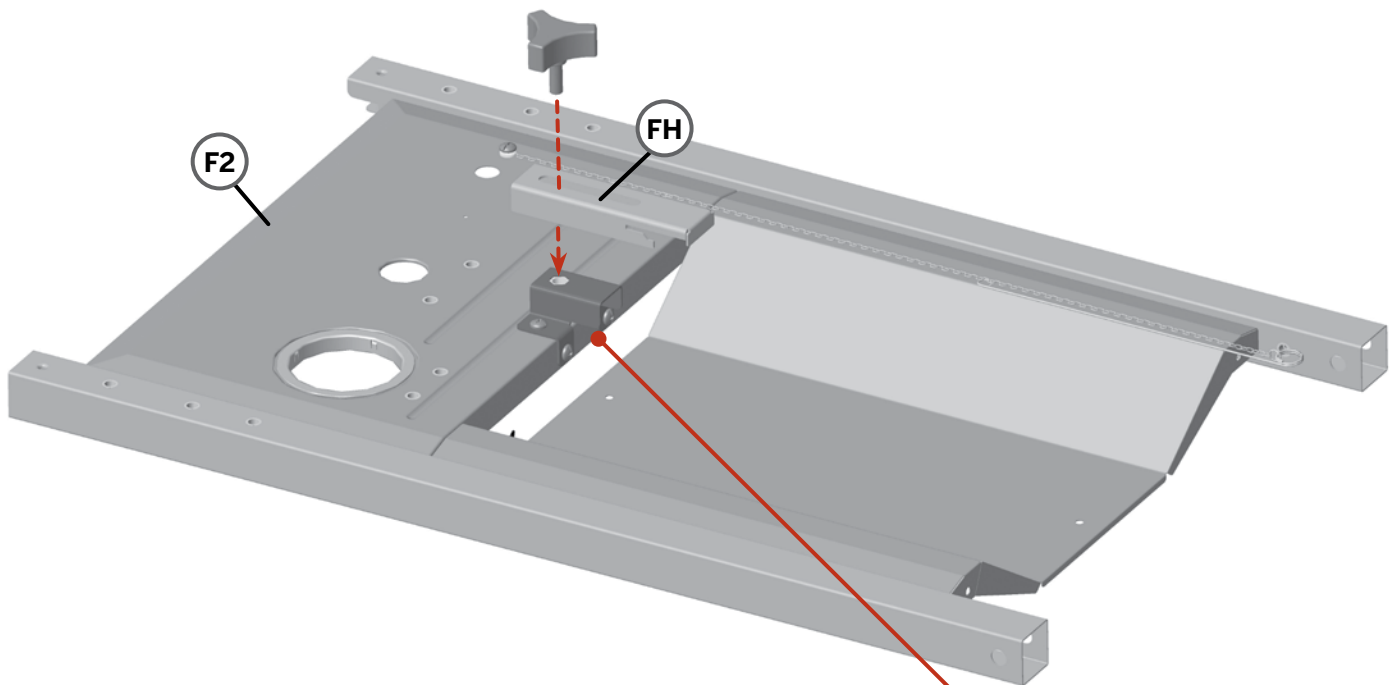


# BUILD IT

## STEP 1A



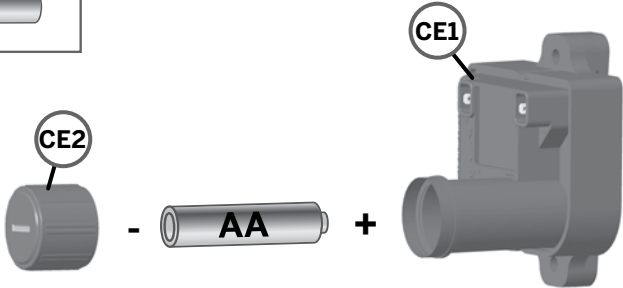
Assemble on a **FLAT** surface to avoid damage.



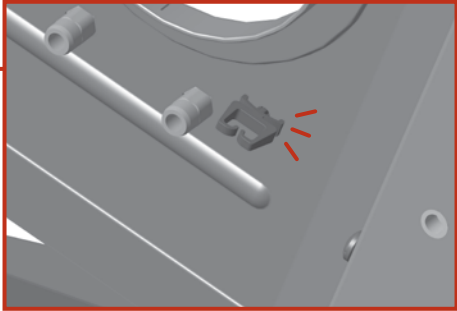
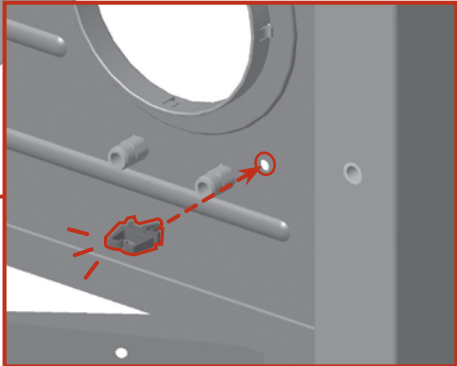
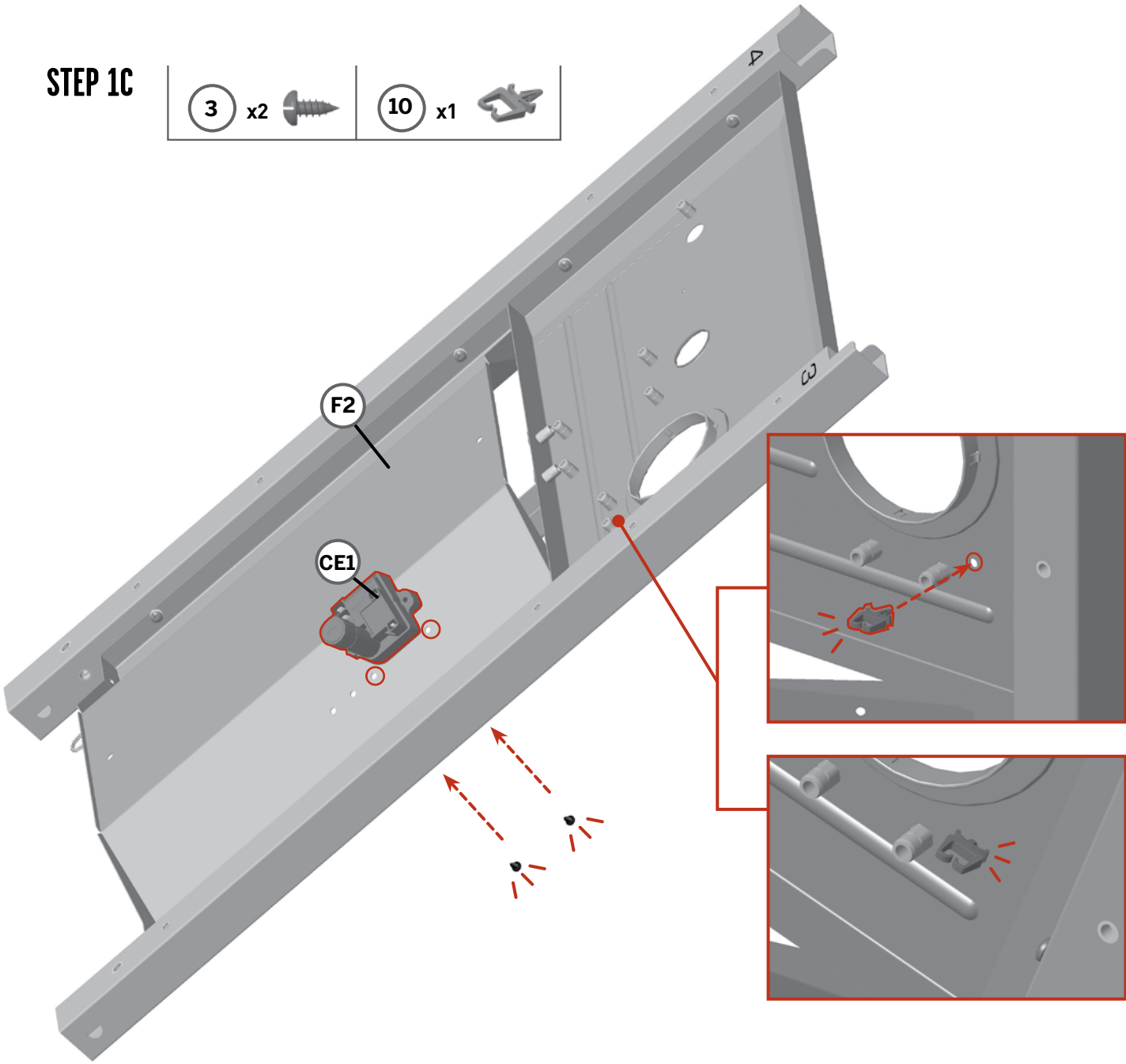
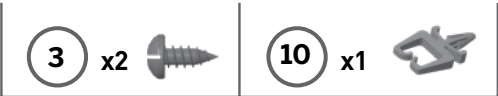


# BUILD IT

## STEP 1B



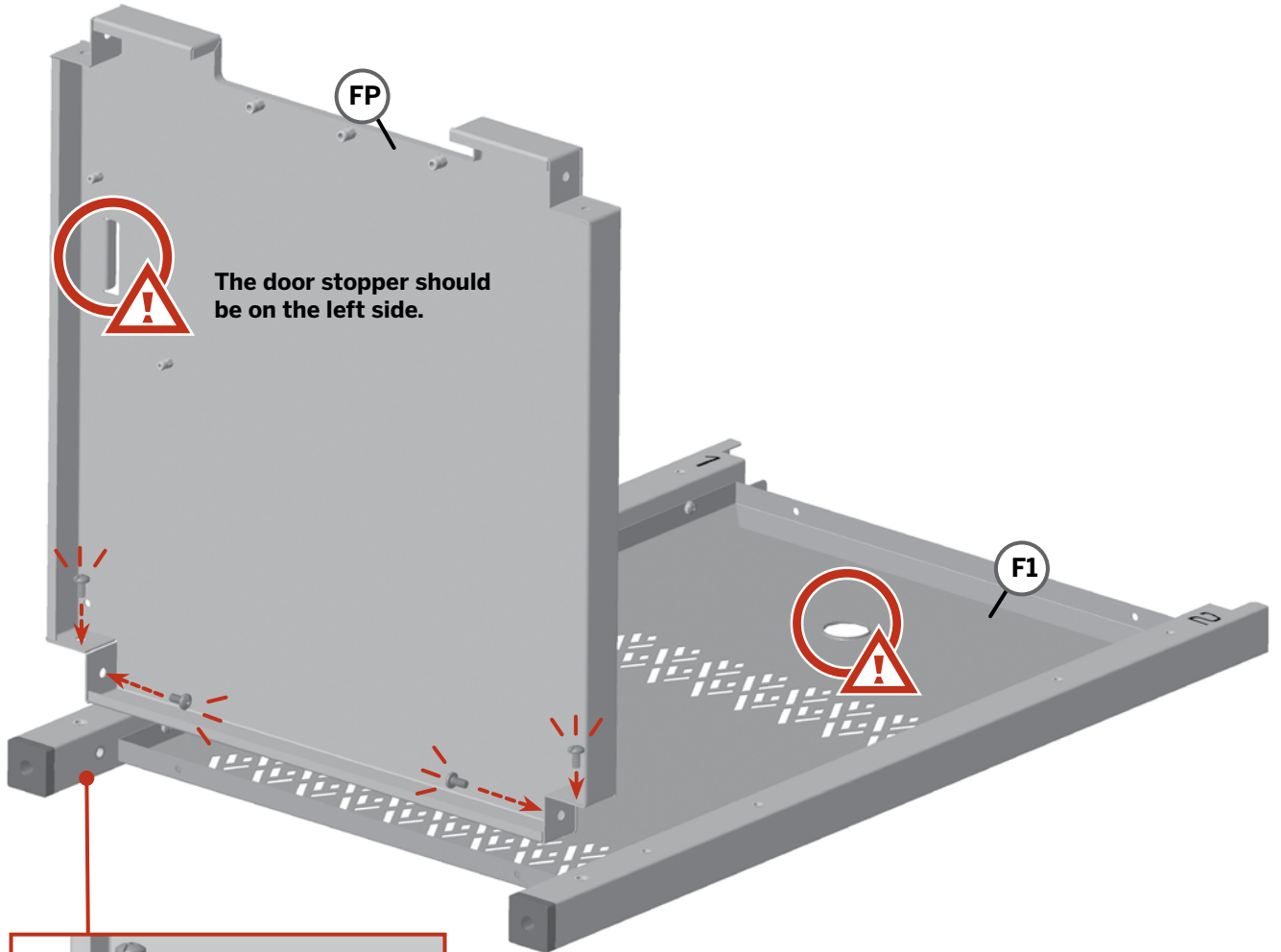
## STEP 1C



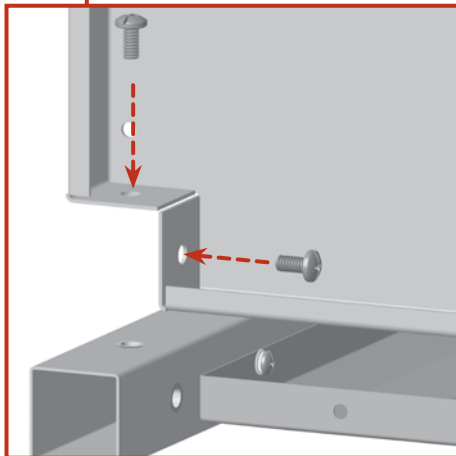
# BUILD IT

## STEP 2A

1 x4

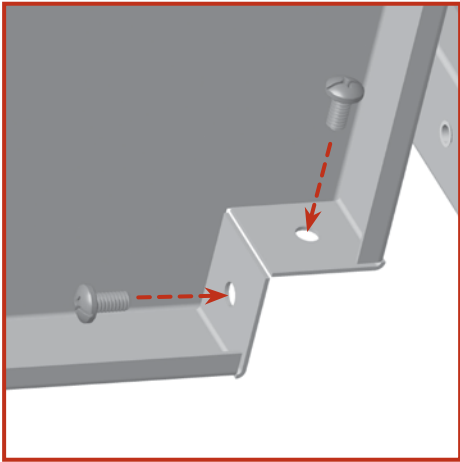
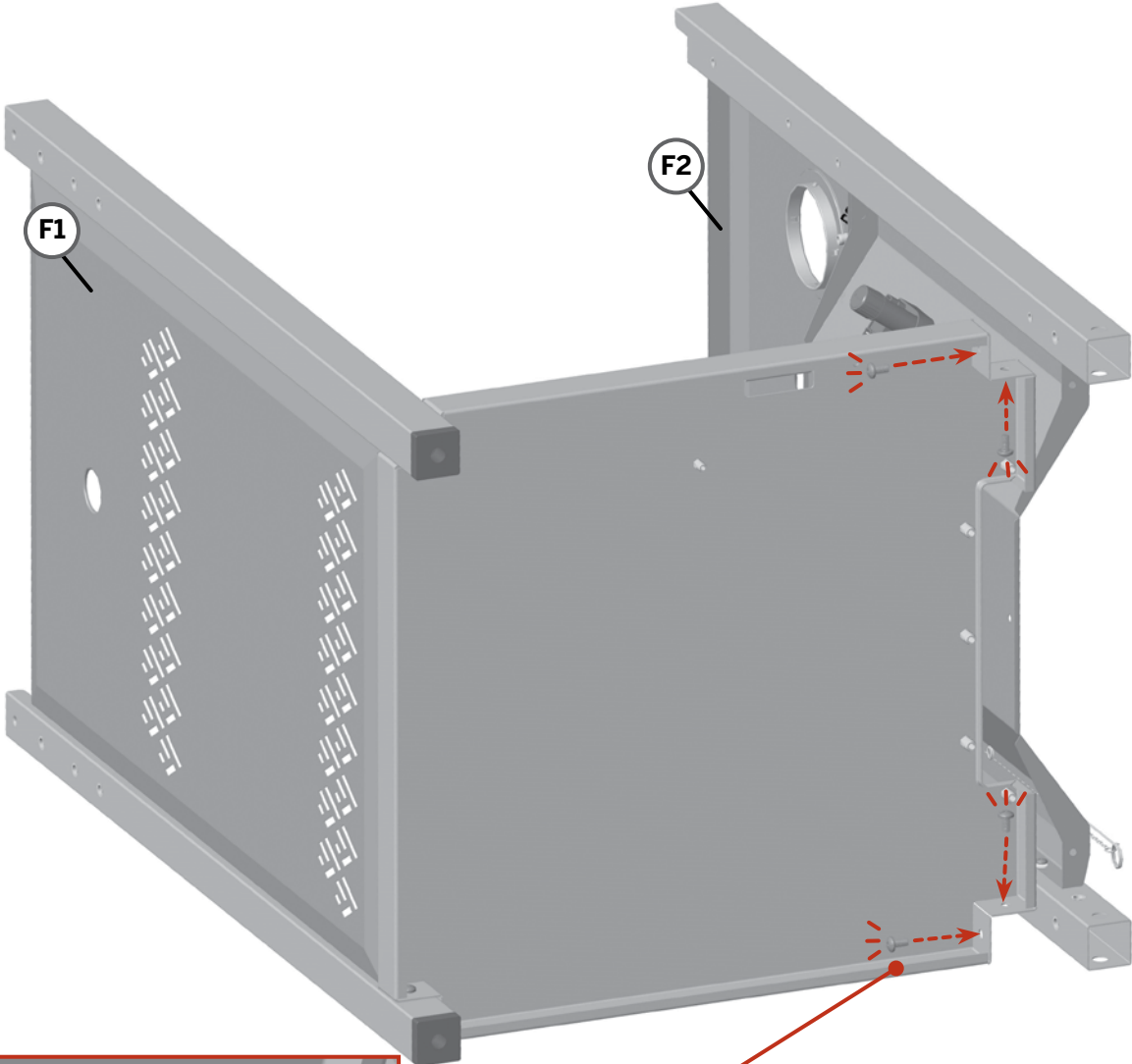


The door stopper should be on the left side.



# BUILD IT

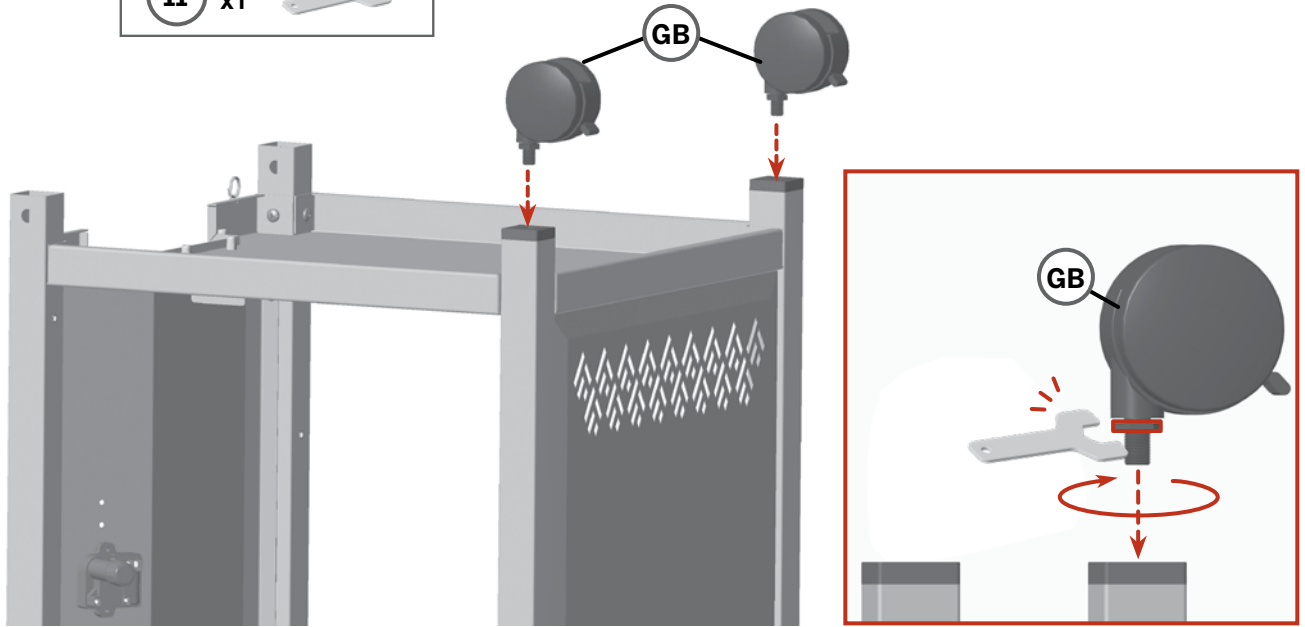
## STEP 2B



# BUILD IT

## STEP 3A

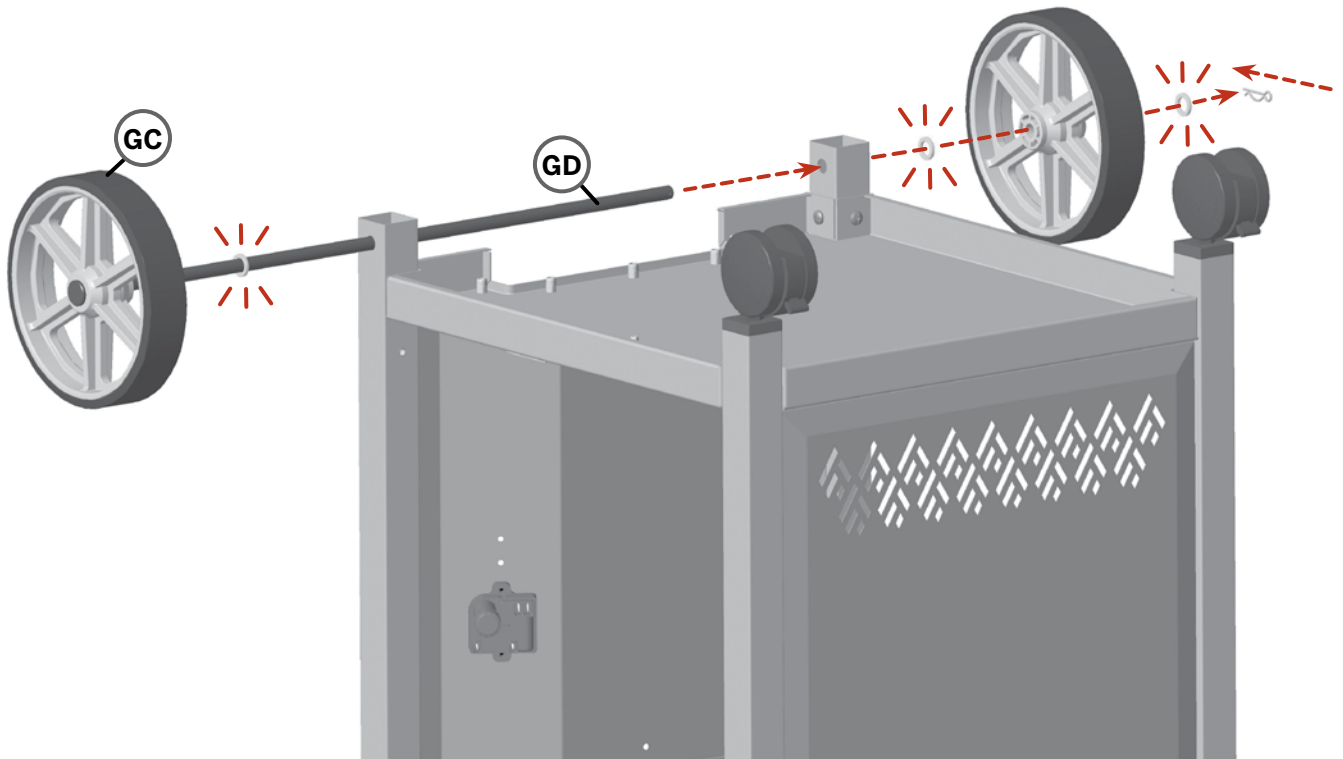
11 x1 



## STEP 3B

4 x3 

5 x1 

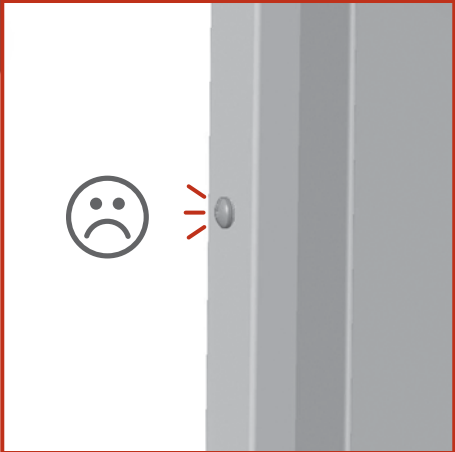
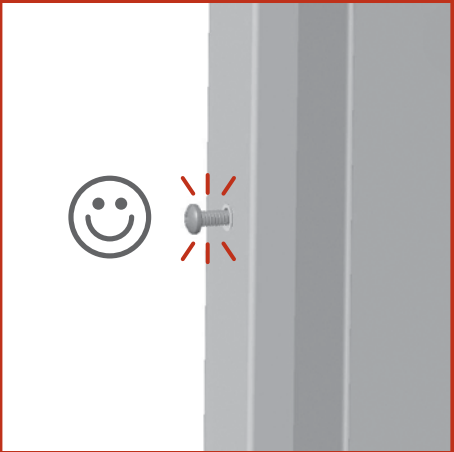
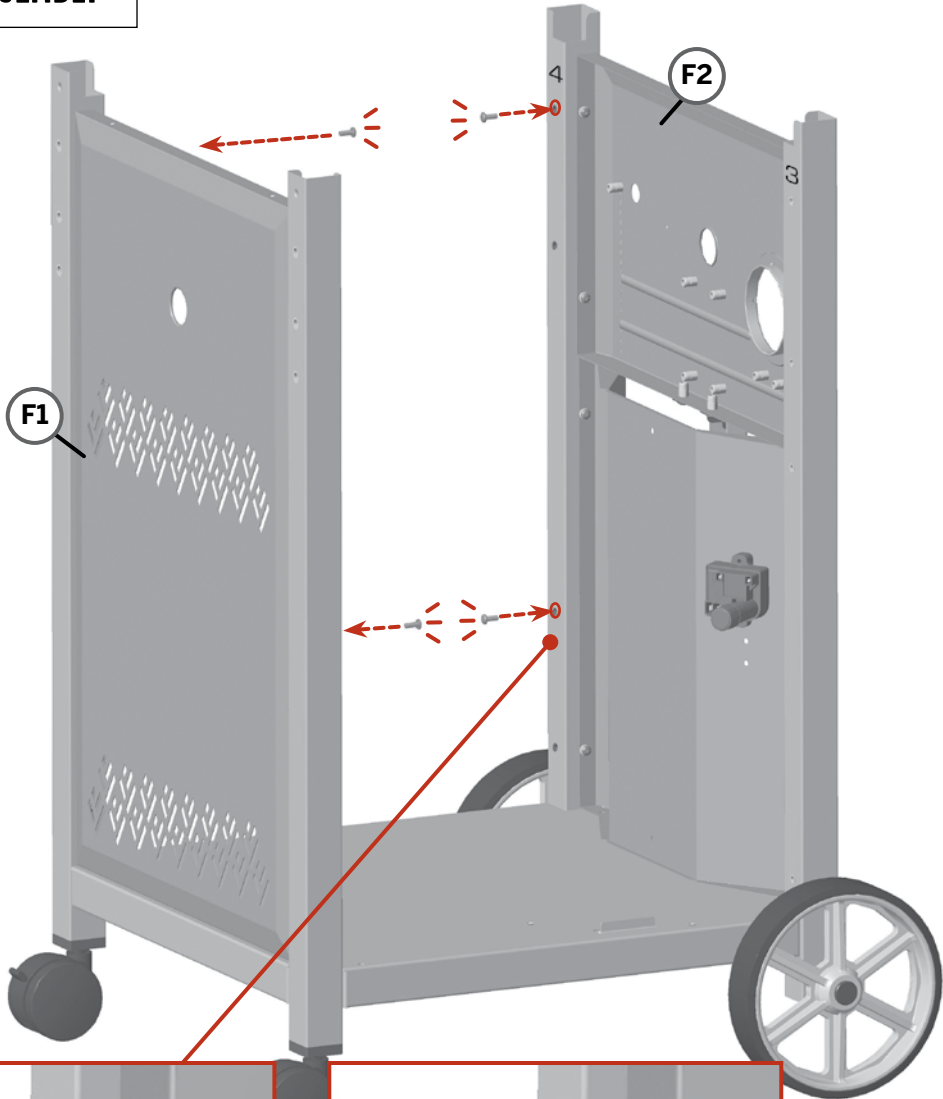


# BUILD IT

## STEP 4A



### BACK PANEL ASSEMBLY

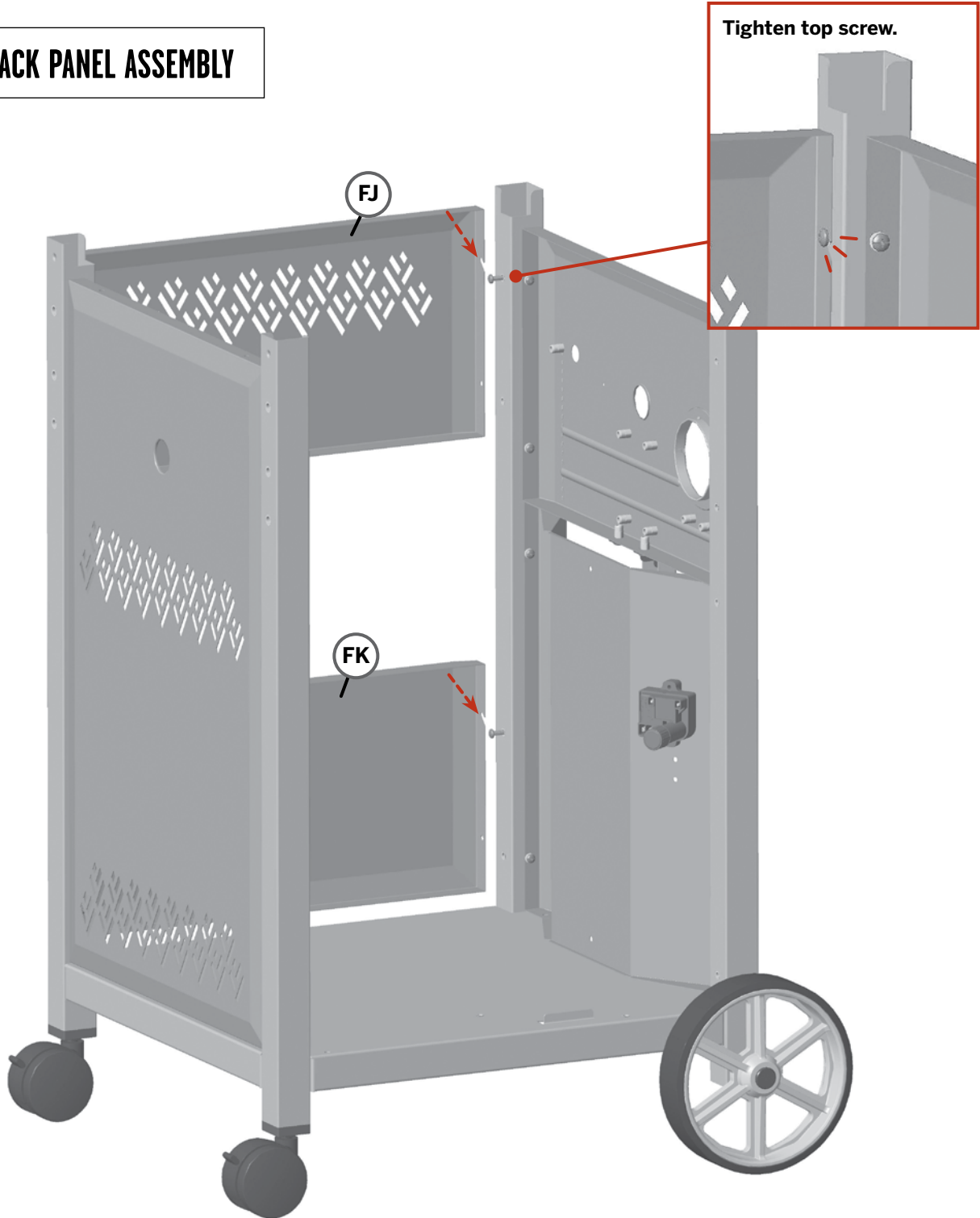


BUILD IT

# BUILD IT

## STEP 4B

### BACK PANEL ASSEMBLY

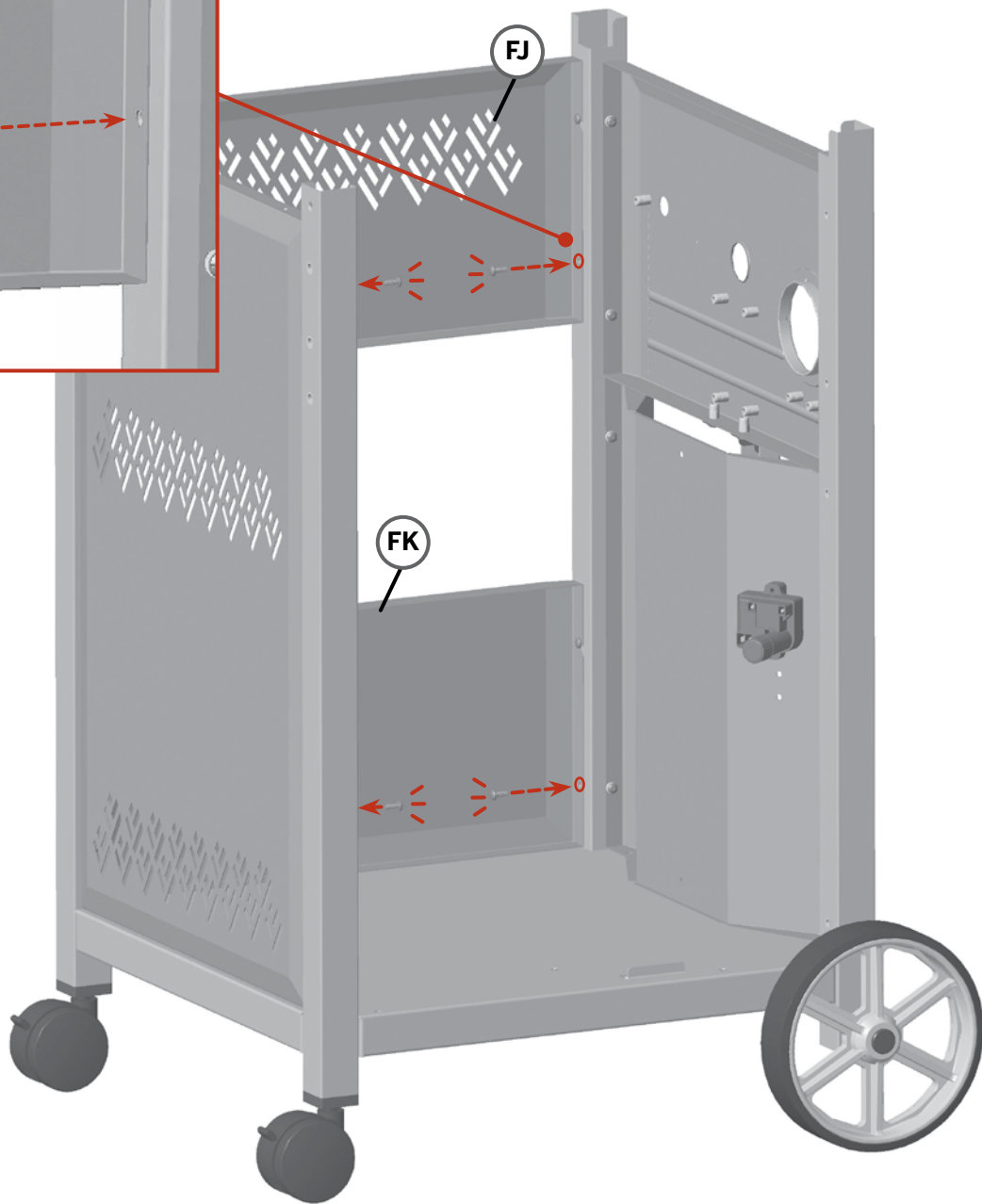
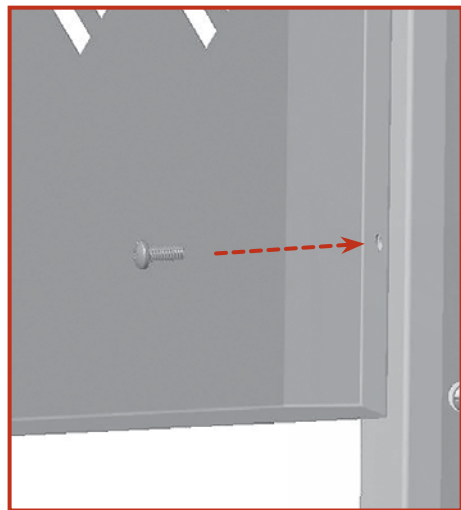


# BUILD IT

## STEP 4C



### BACK PANEL ASSEMBLY

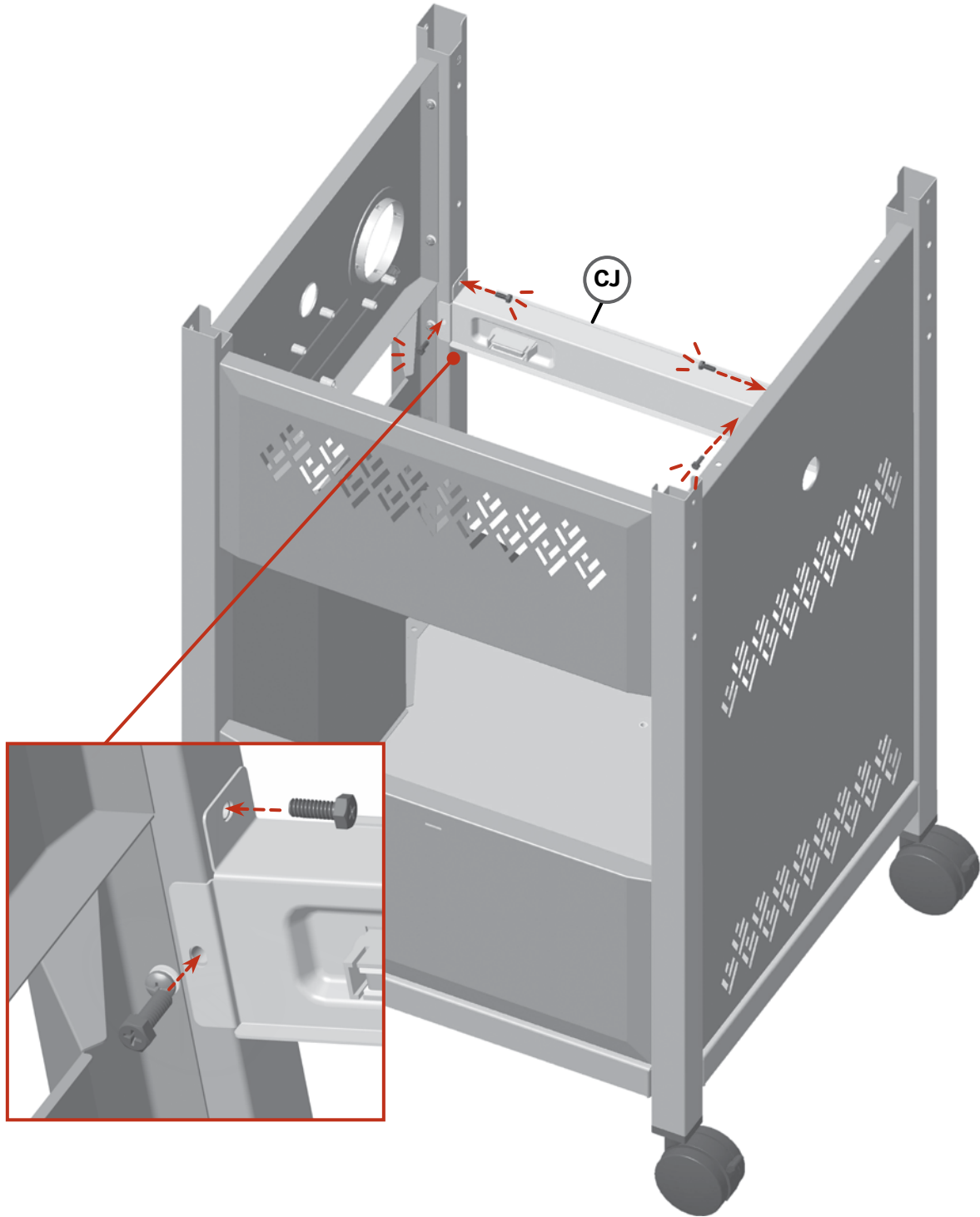


Tighten all screws.

BUILD IT

# BUILD IT

## STEP 4D

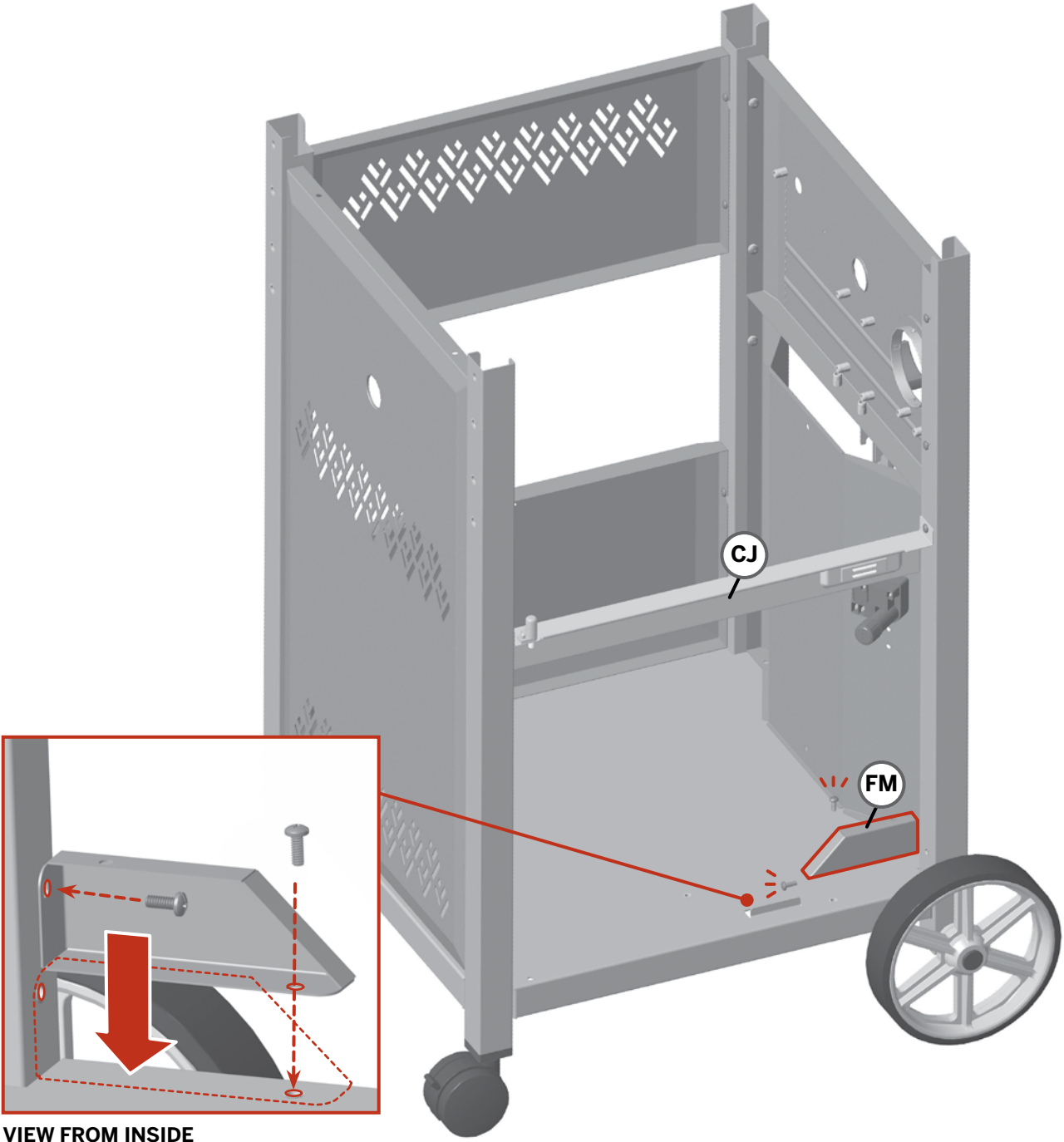


BUILD IT



# BUILD IT

## STEP 5



VIEW FROM INSIDE

# BUILD IT

## STEP 6A

**PROPANE CUSTOMERS PROCEED TO STEP 6B**

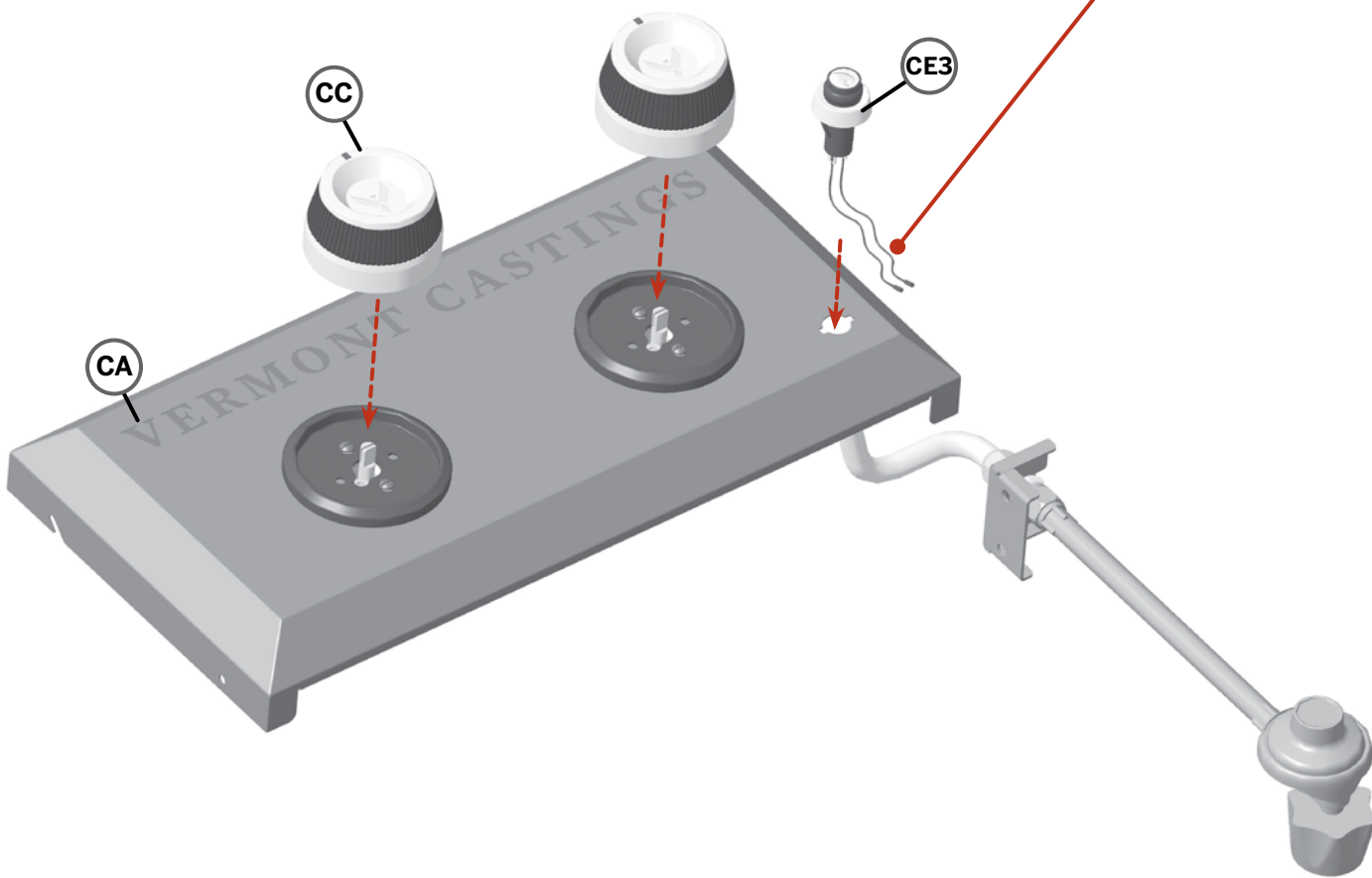
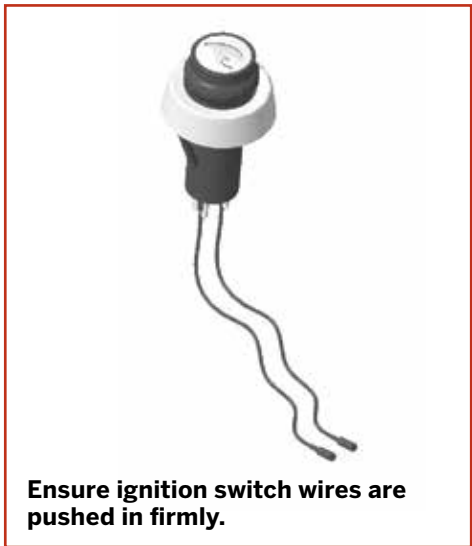
**FOR NATURAL GAS CONVERSION CUSTOMERS ONLY**

You will need a **Convertible Valve System Kit (Model 085-2261-4)** in this step.



# BUILD IT

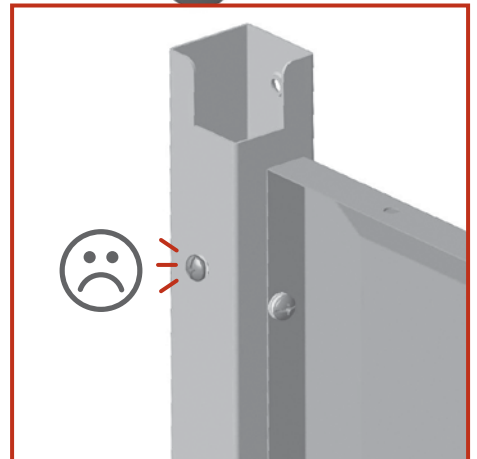
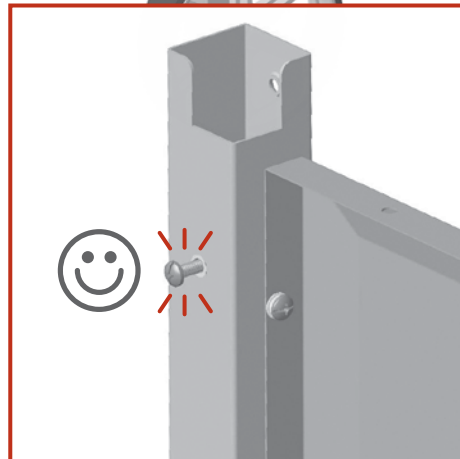
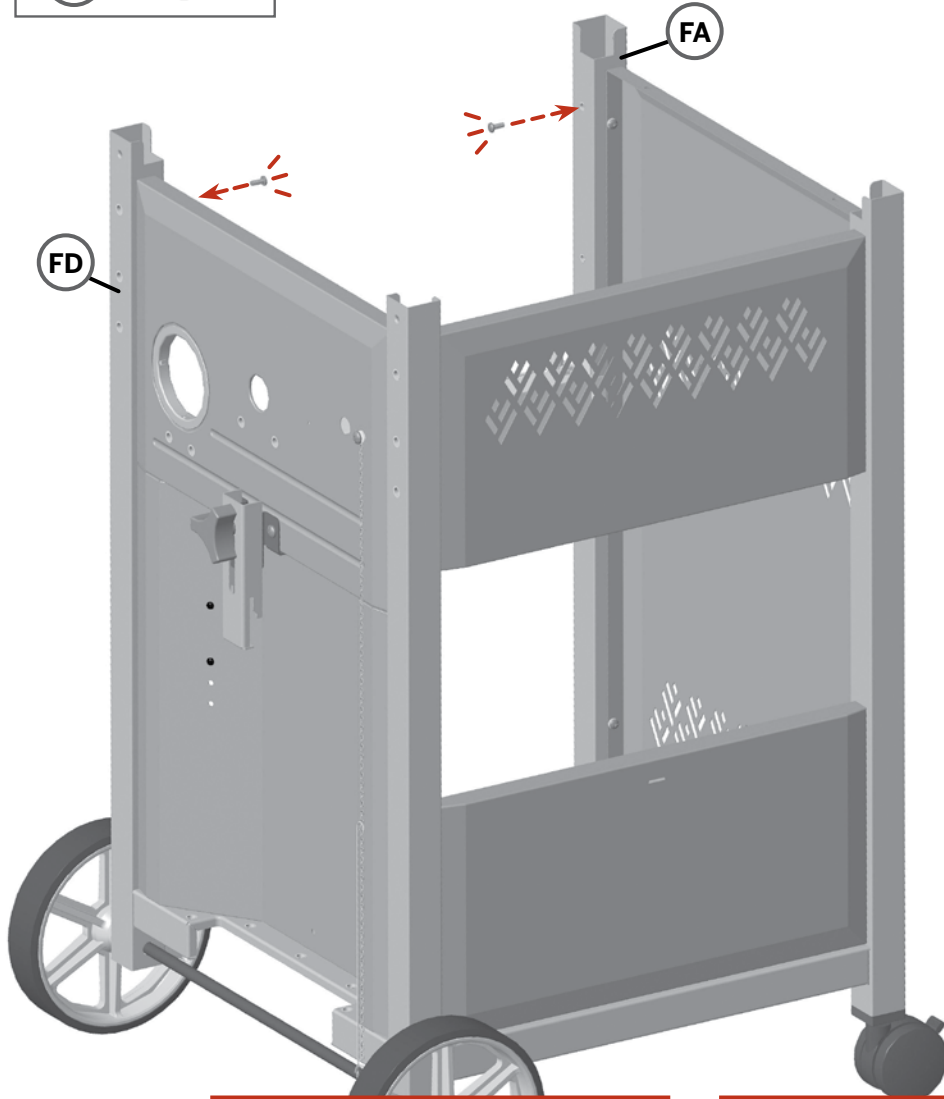
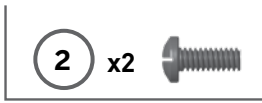
## STEP 6B



BUILD IT

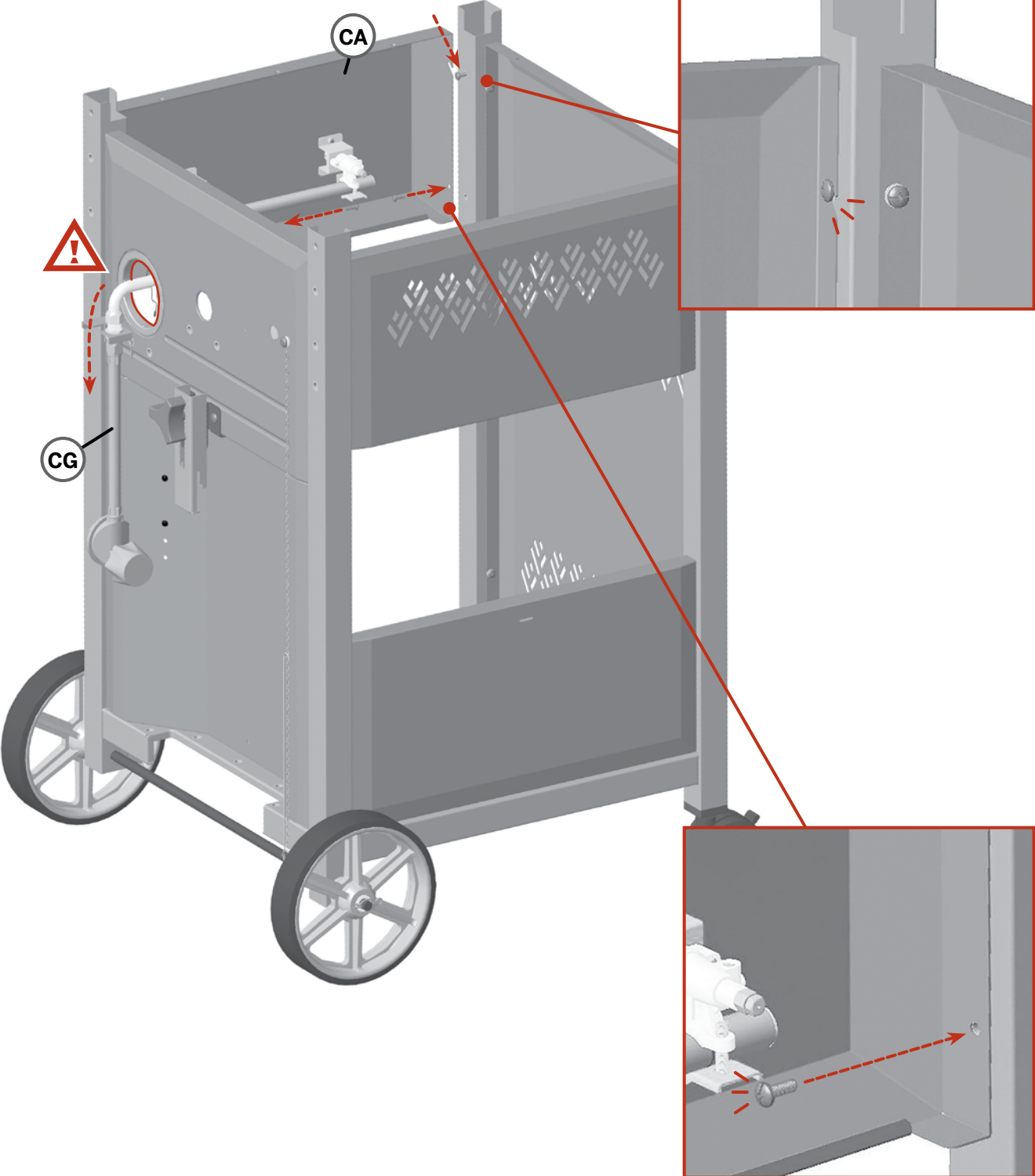
# BUILD IT

## STEP 6C



# BUILD IT

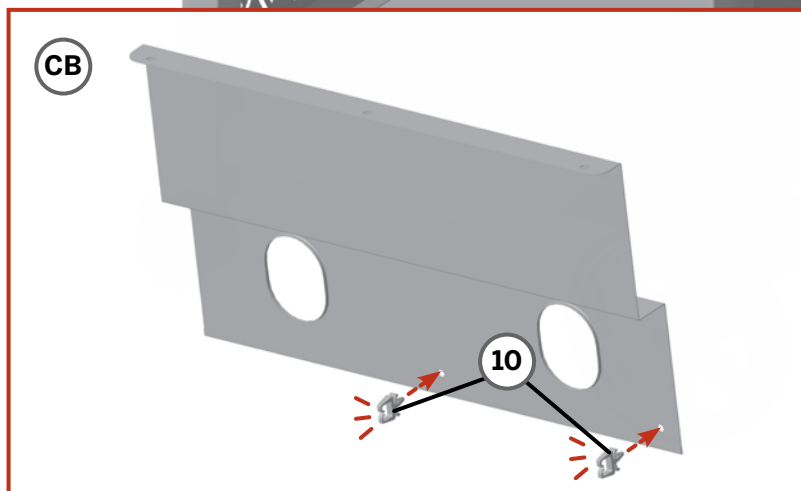
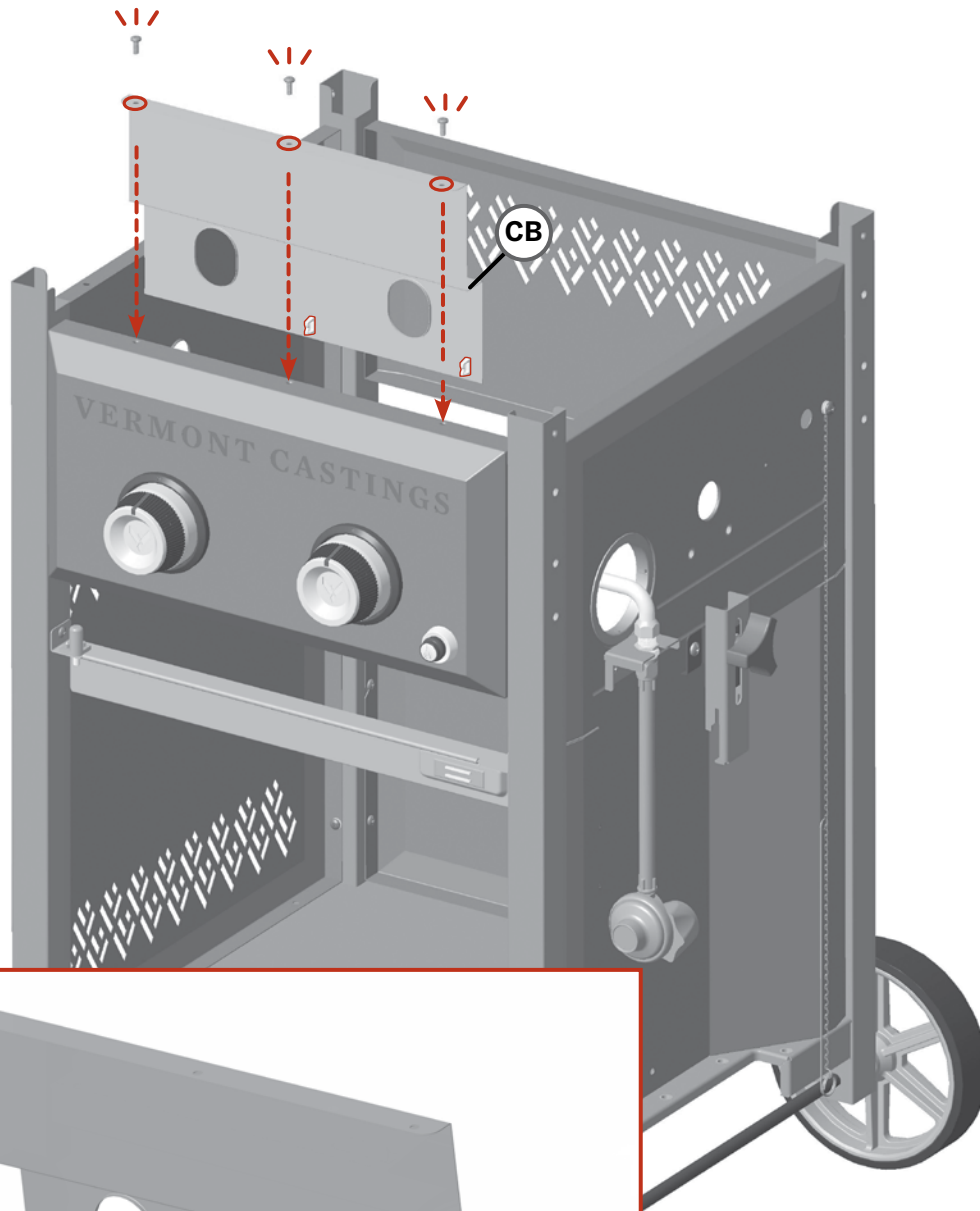
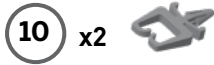
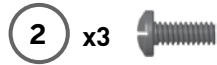
## STEP 6D



BUILD IT

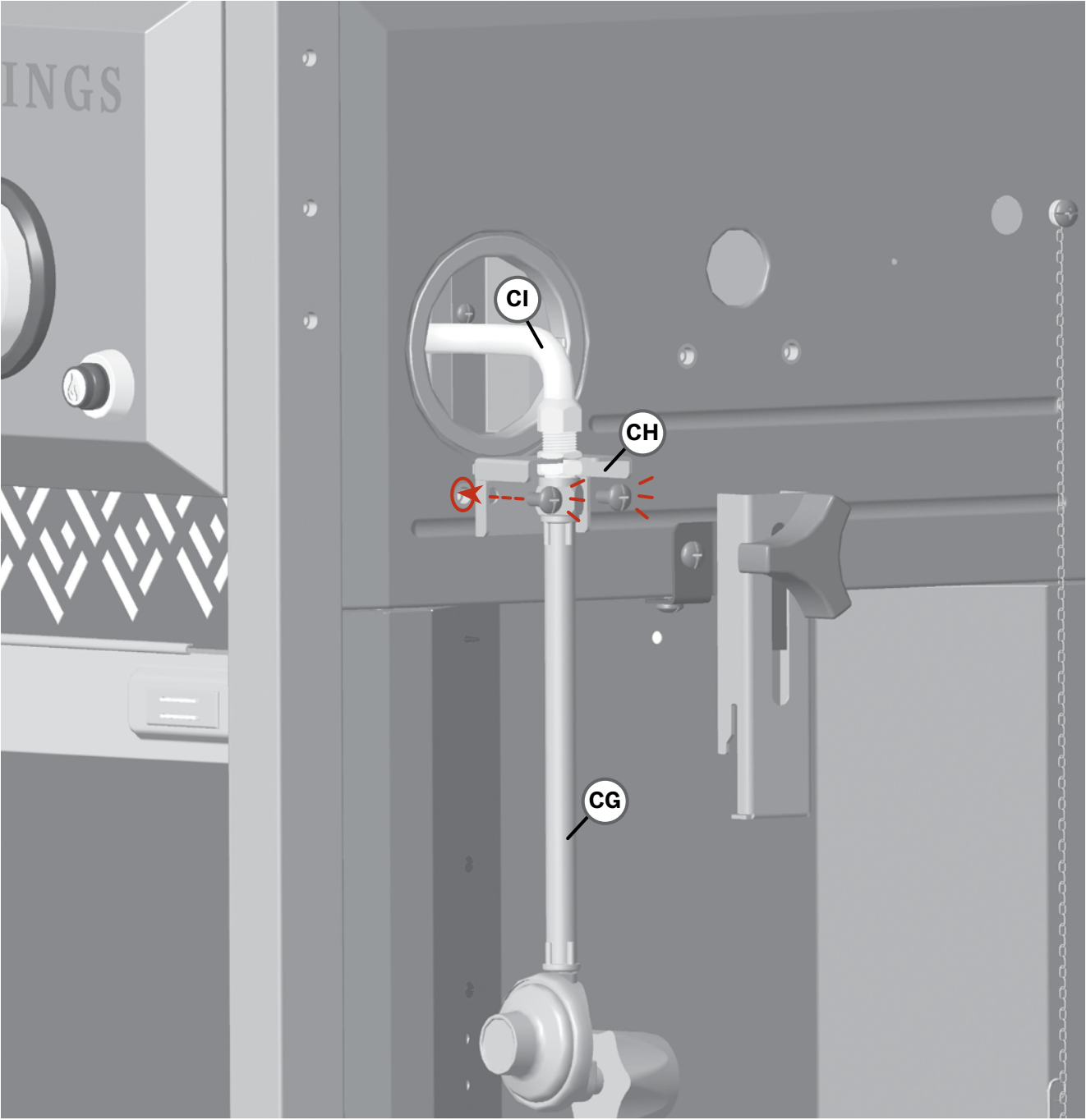
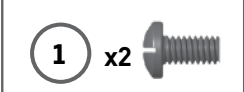
# BUILD IT

## STEP 6E



# BUILD IT

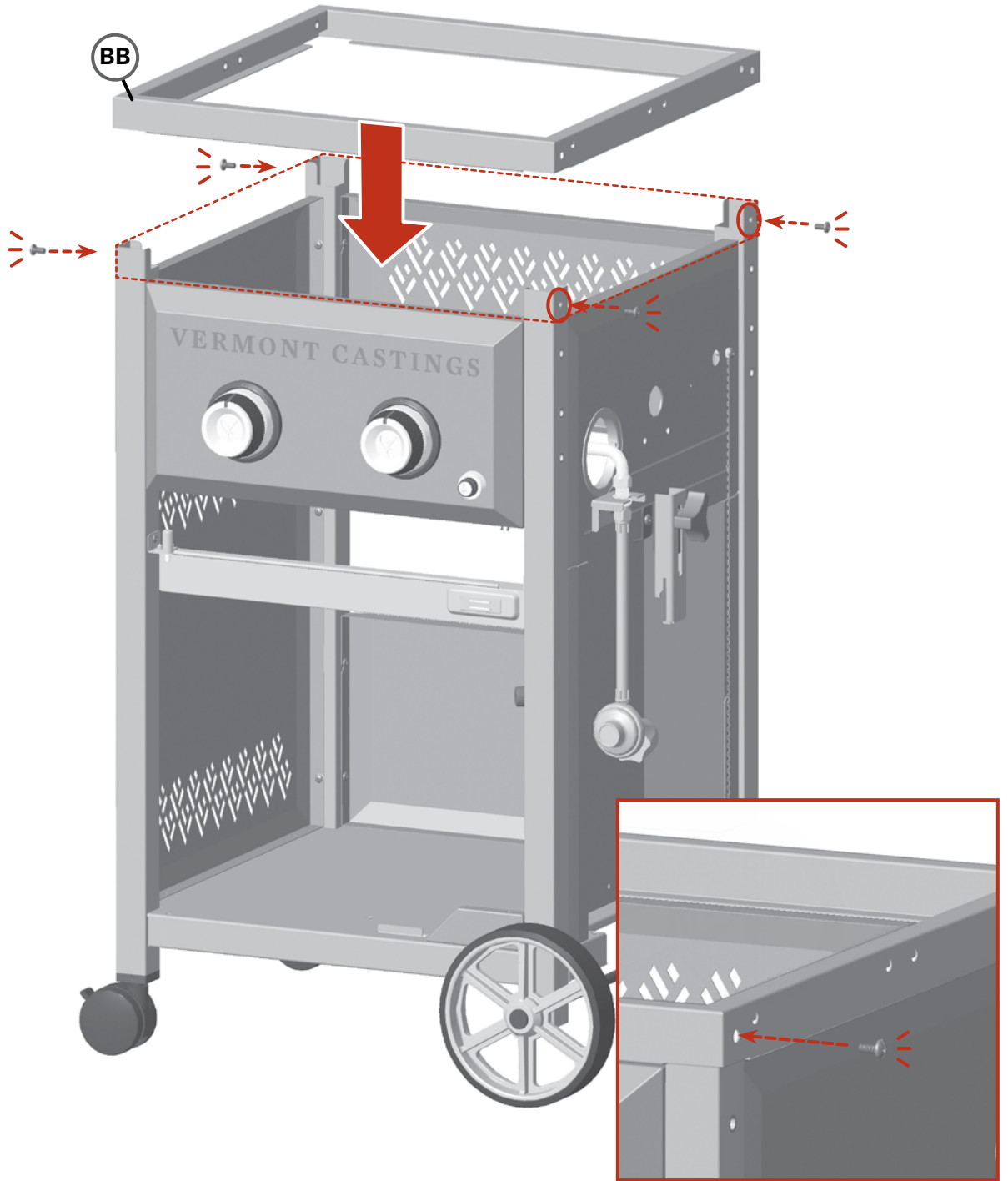
## STEP 7



BUILD IT

# BUILD IT

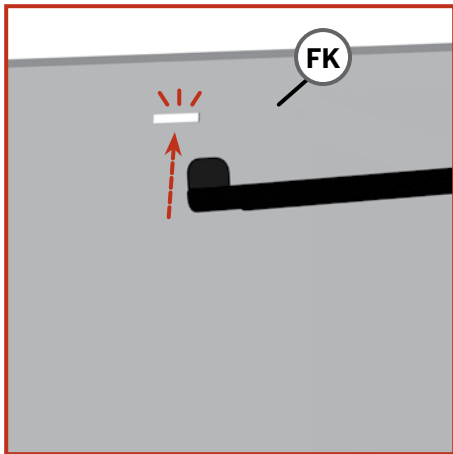
## STEP 8



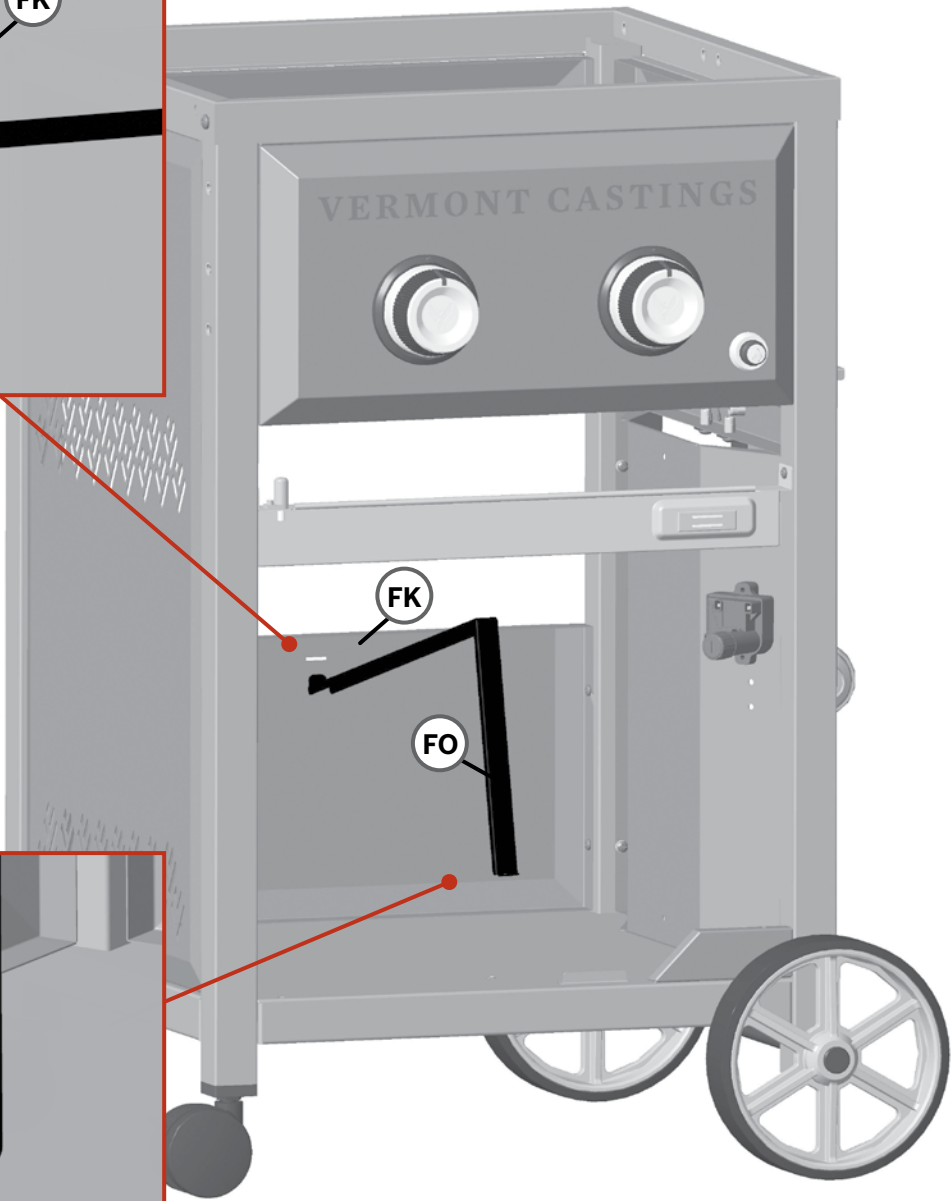
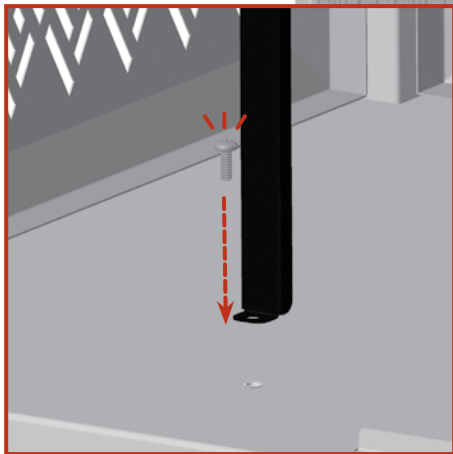


# BUILD IT

## STEP 9



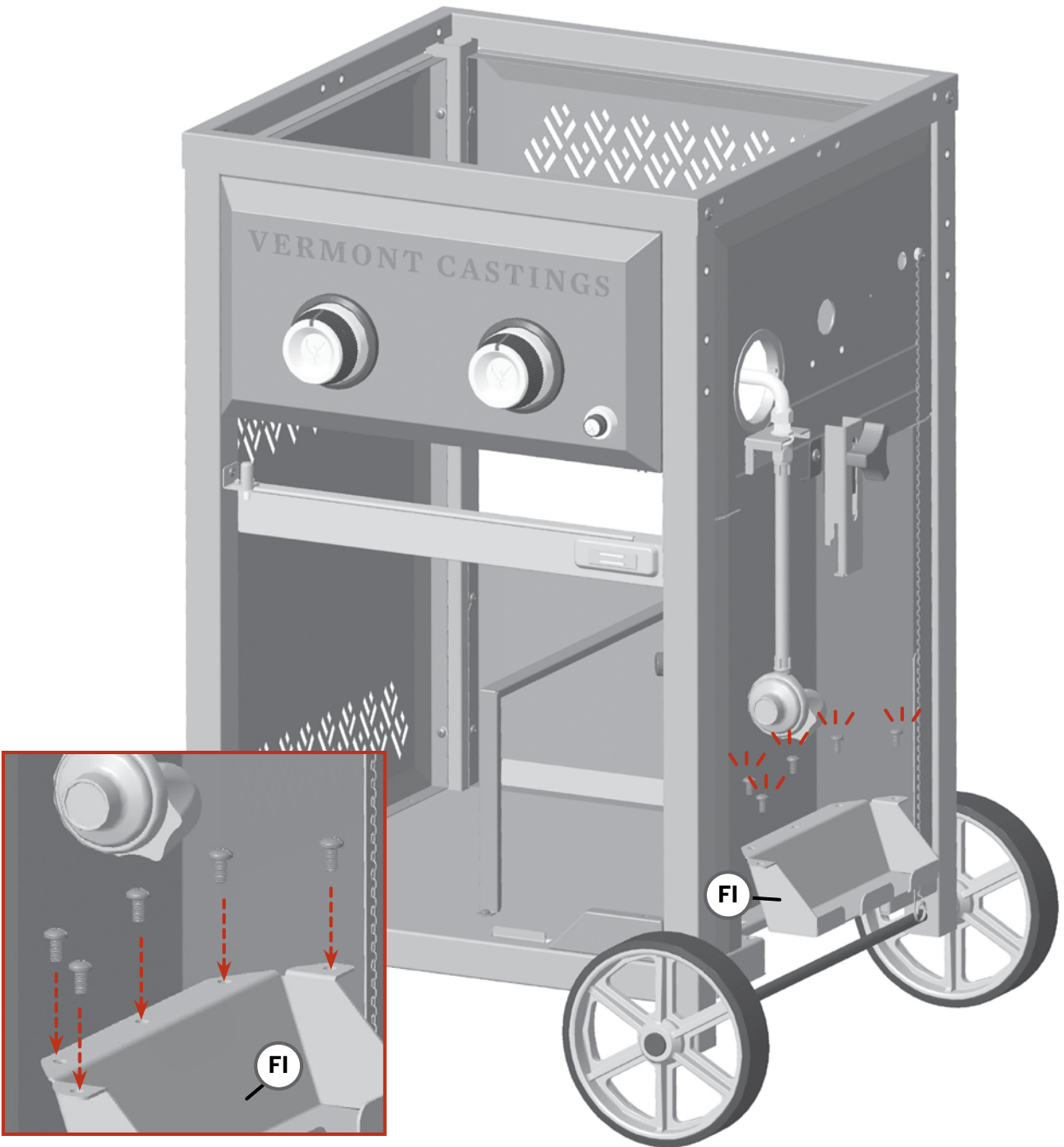
Bend brace upward to enter locator hole in lower back panel



BUILD IT

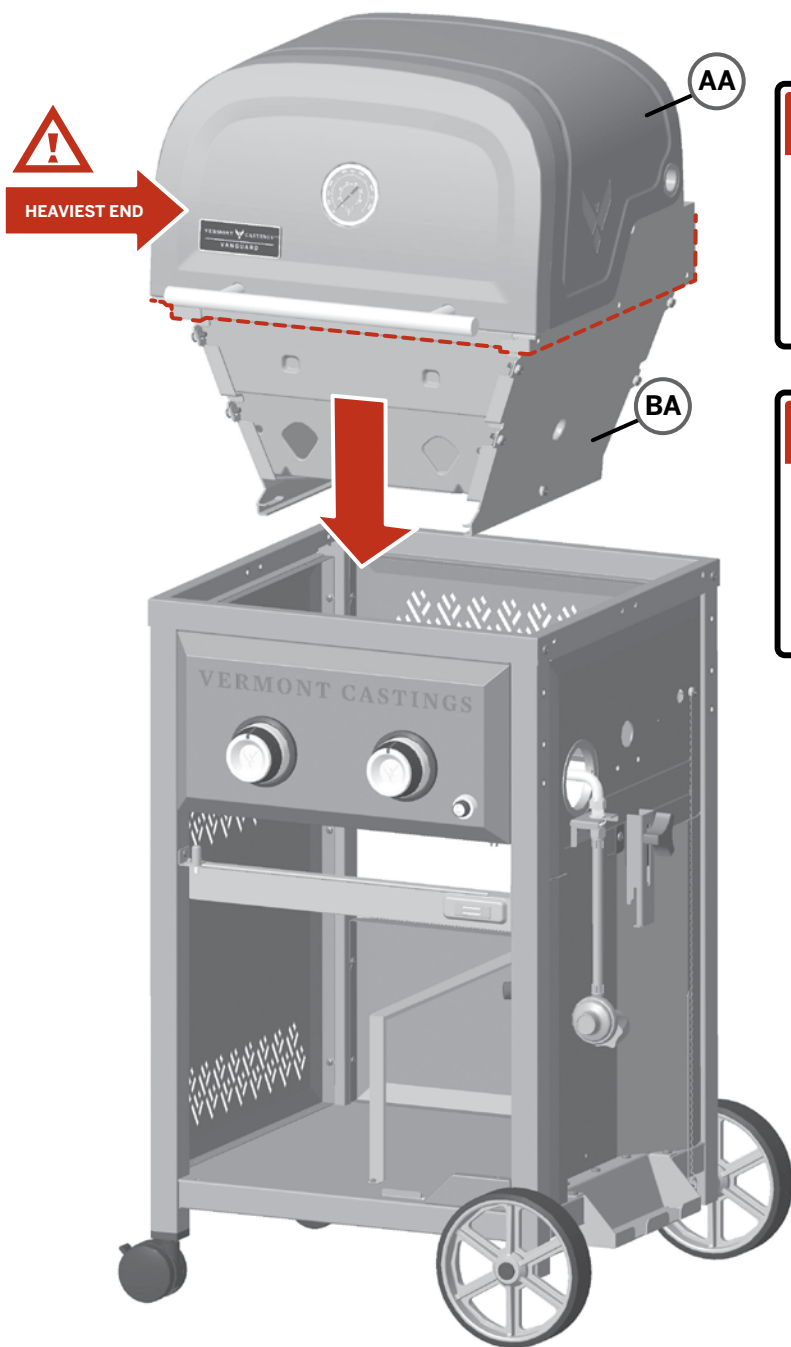
# BUILD IT

## STEP 10



# BUILD IT

STEP 11



**SAFETY FIRST**



WATCH YOUR HANDS AND FINGERS

**DANGER**

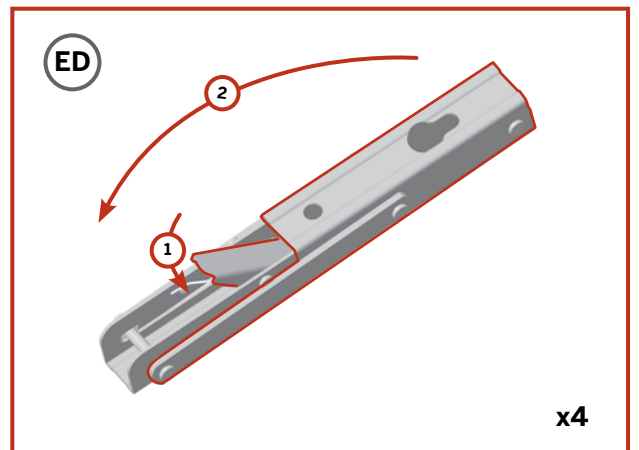
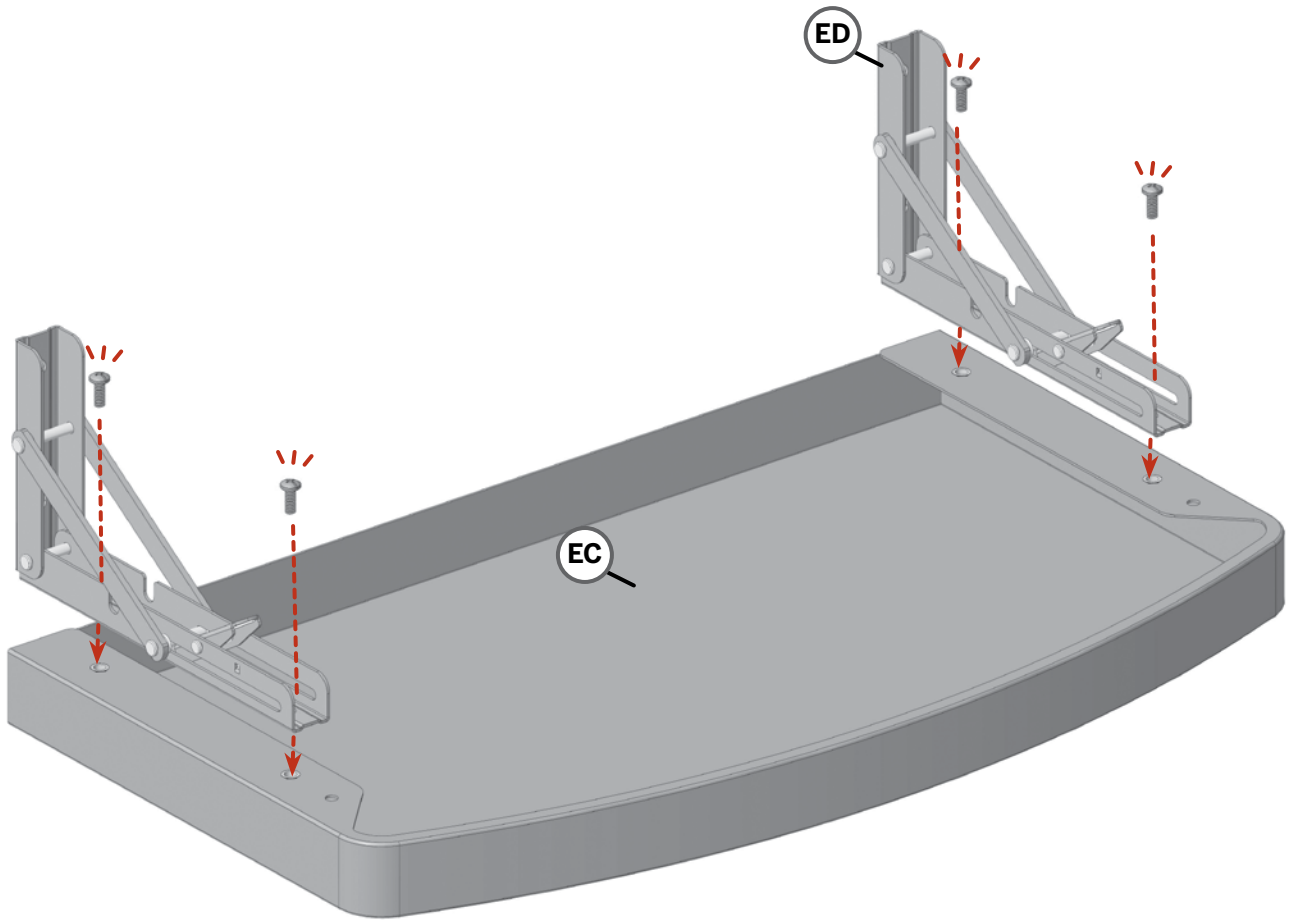


**19 KG  
42 LBS**

**HEAVY.  
LIFT WITH  
CARE**

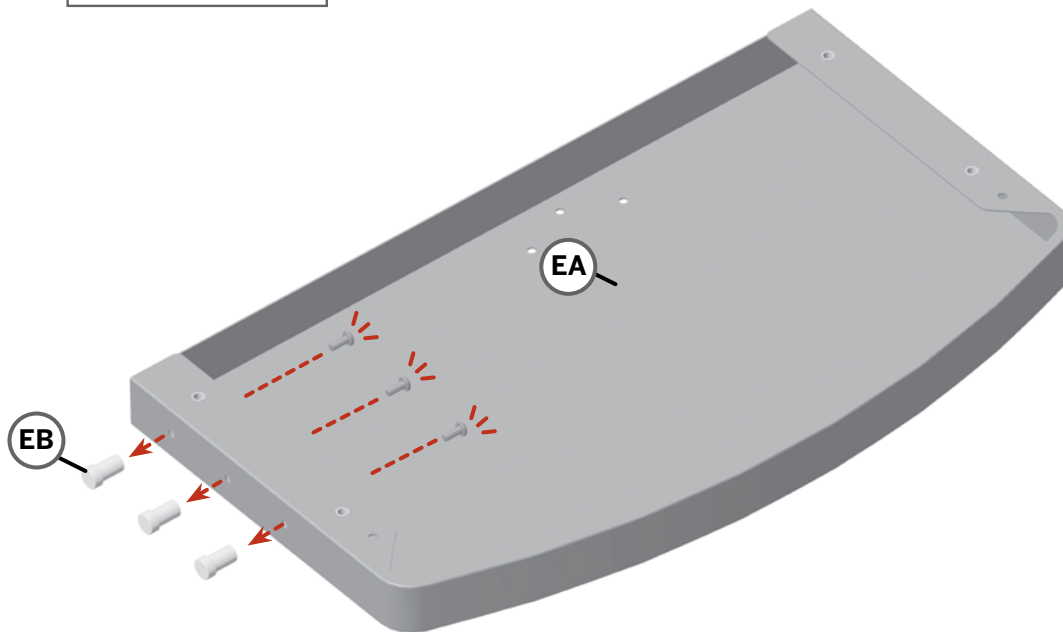
# BUILD IT

## STEP 12A

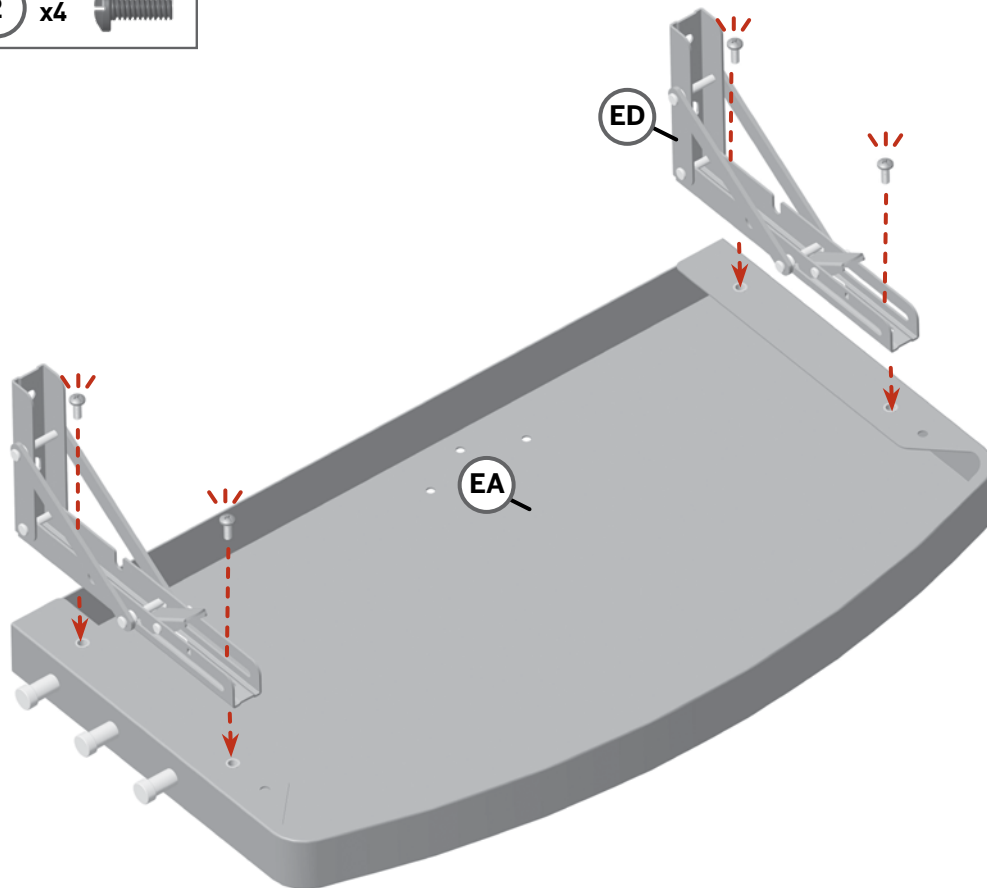


# BUILD IT

## STEP 12B



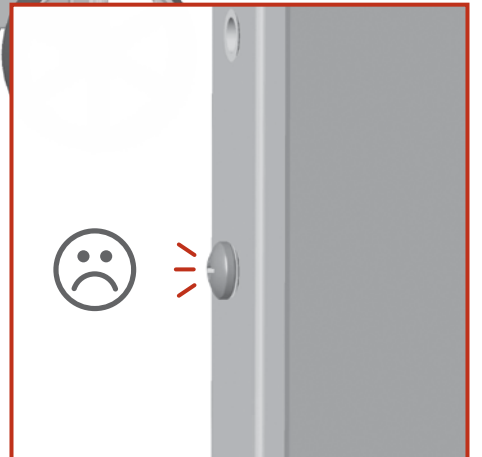
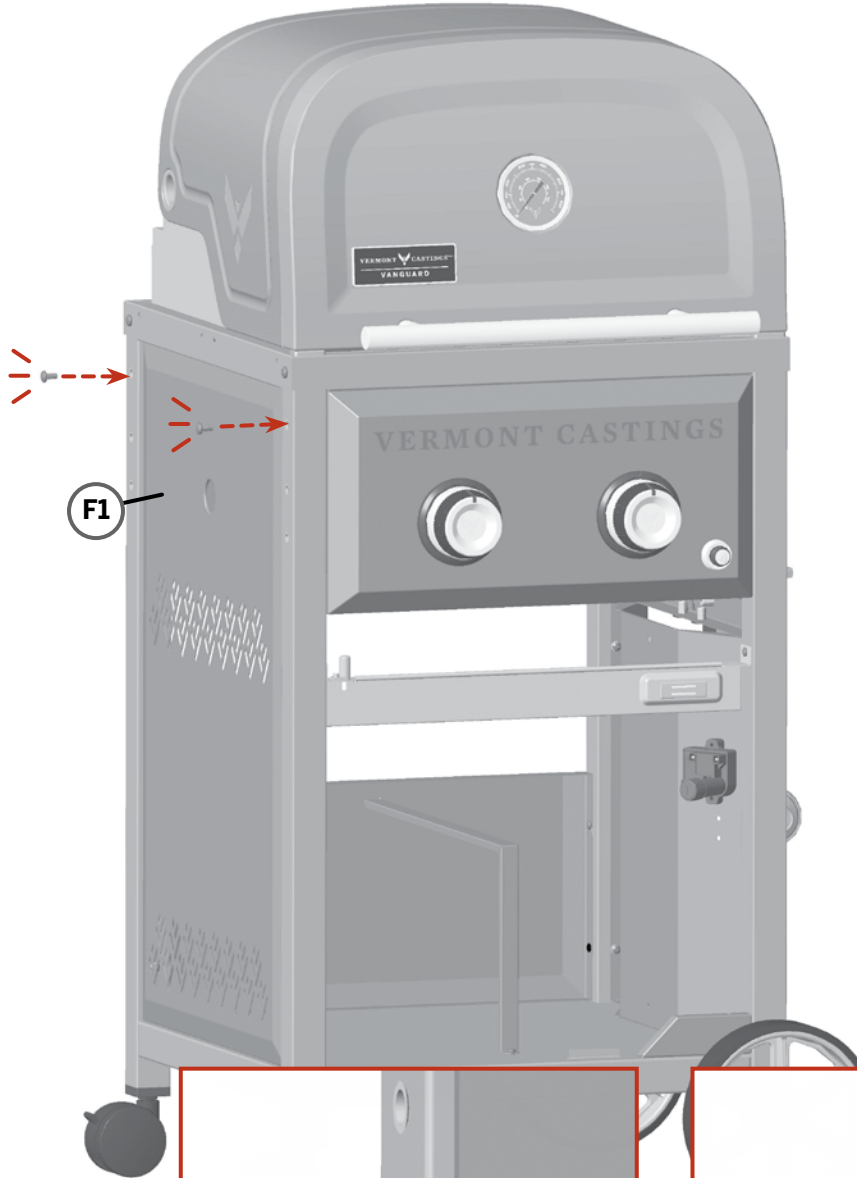
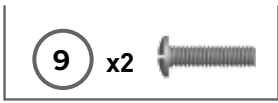
## STEP 12C



BUILD IT

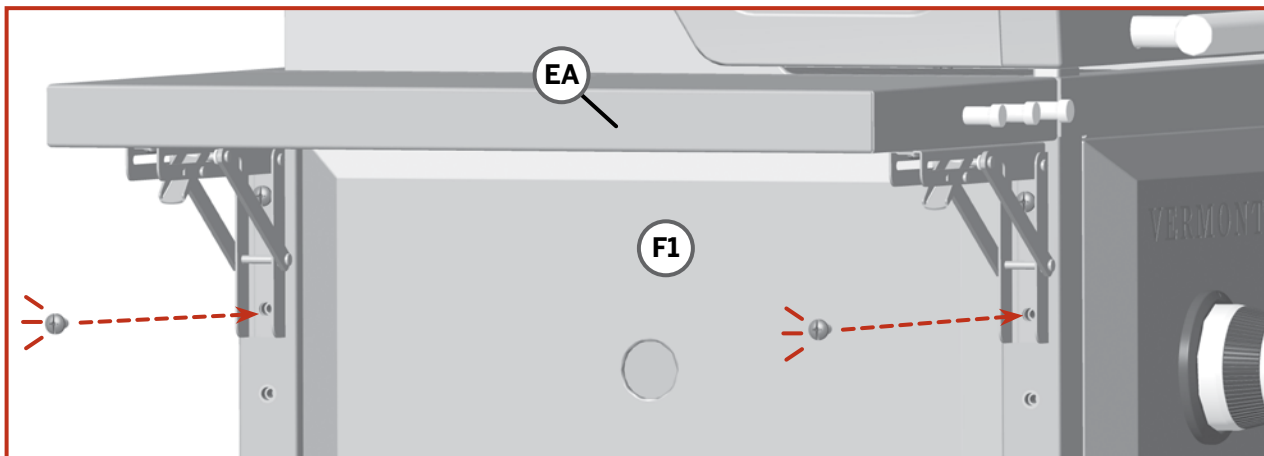
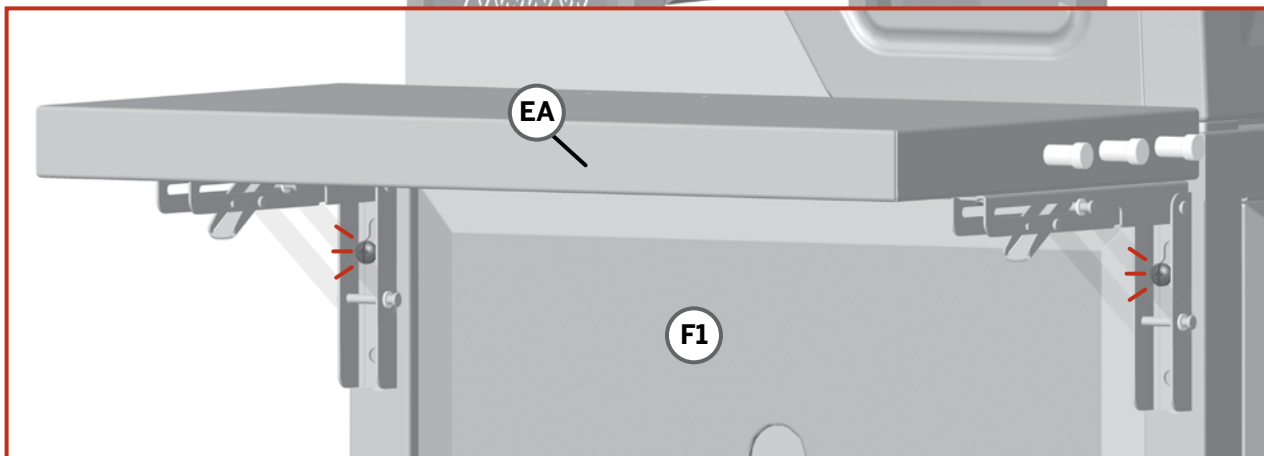
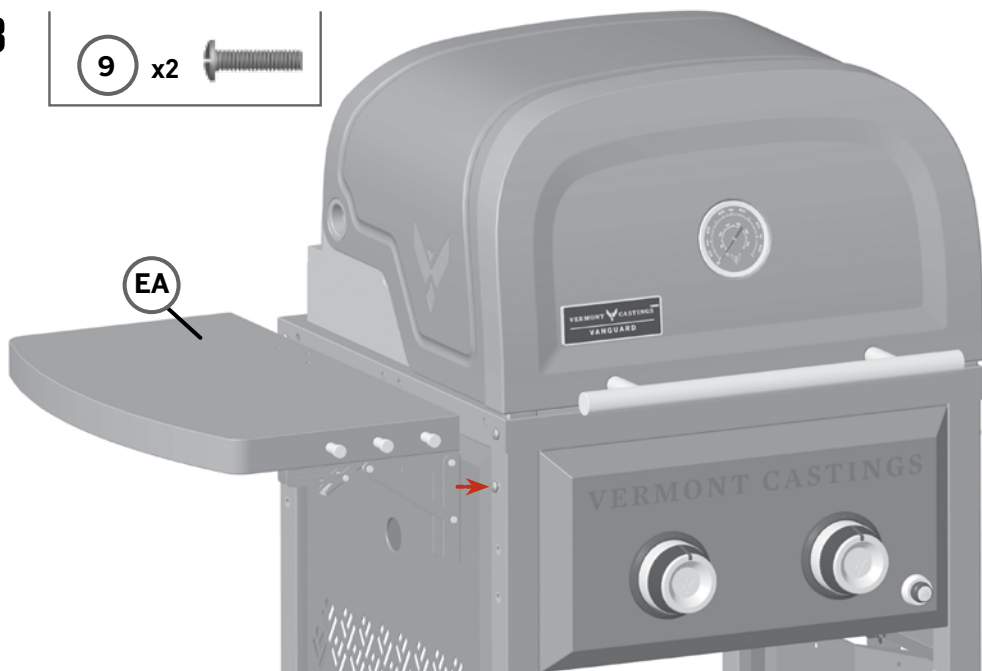
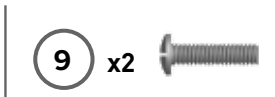
# BUILD IT

## STEP 13A



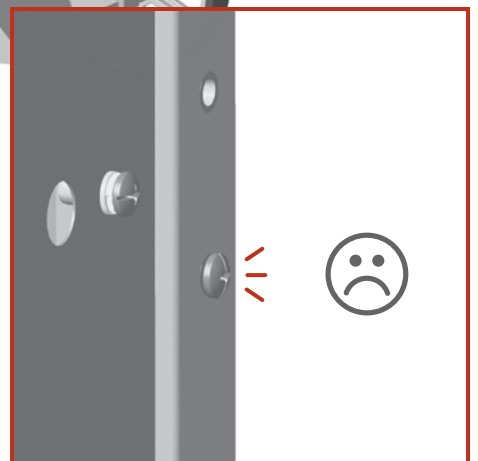
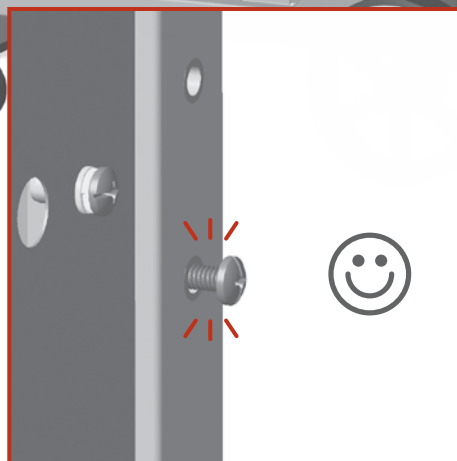
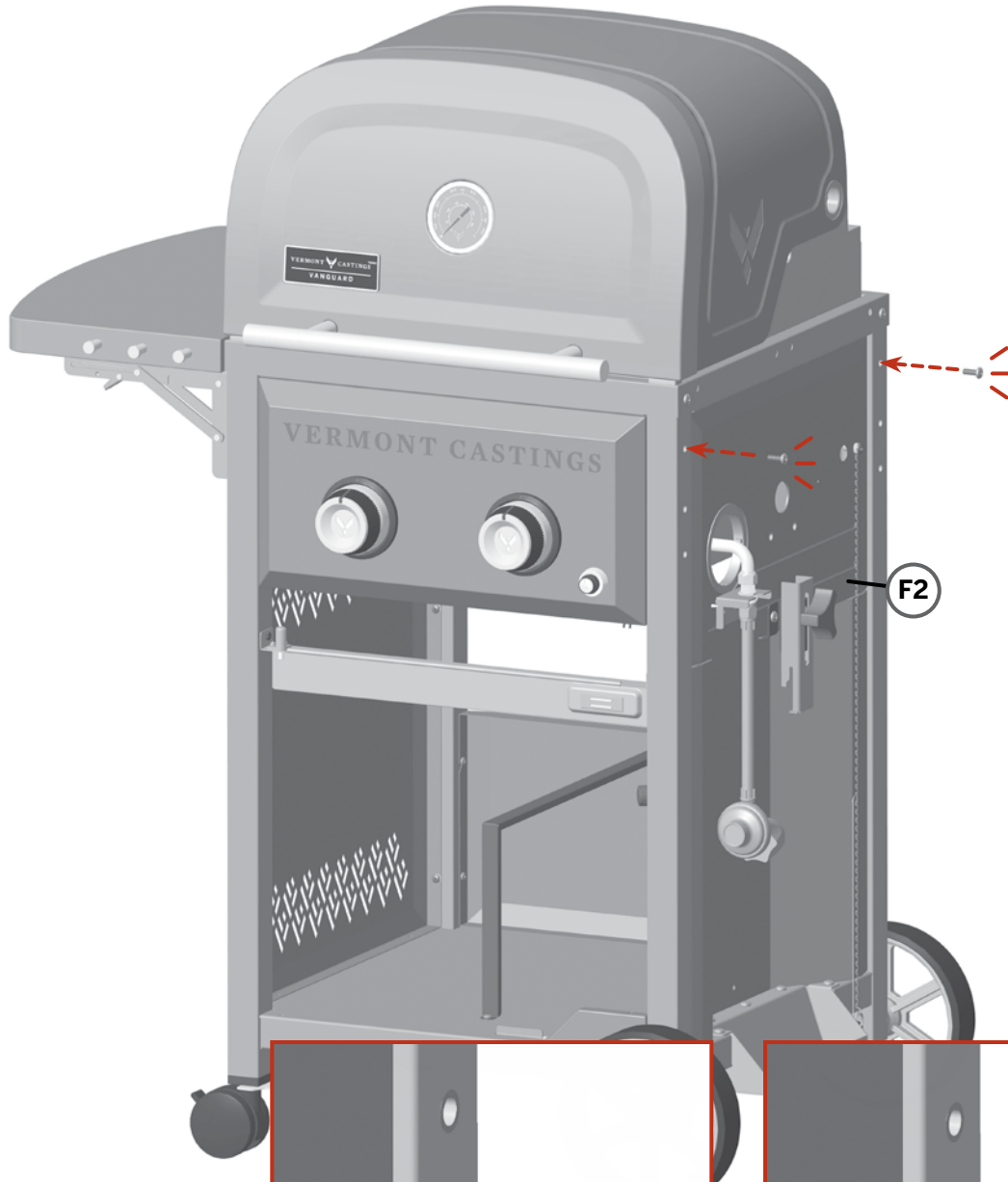
# BUILD IT

## STEP 13B



# BUILD IT

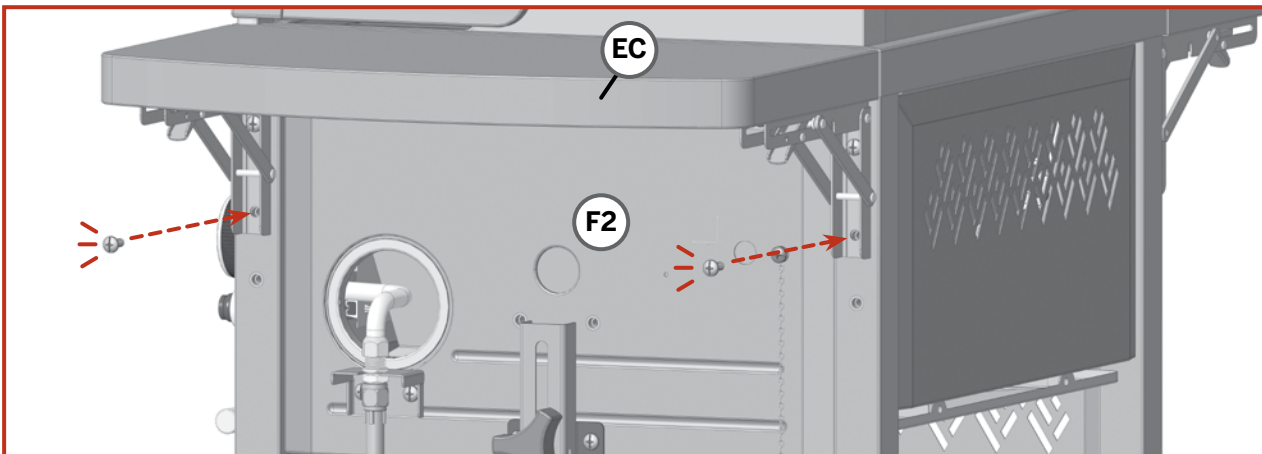
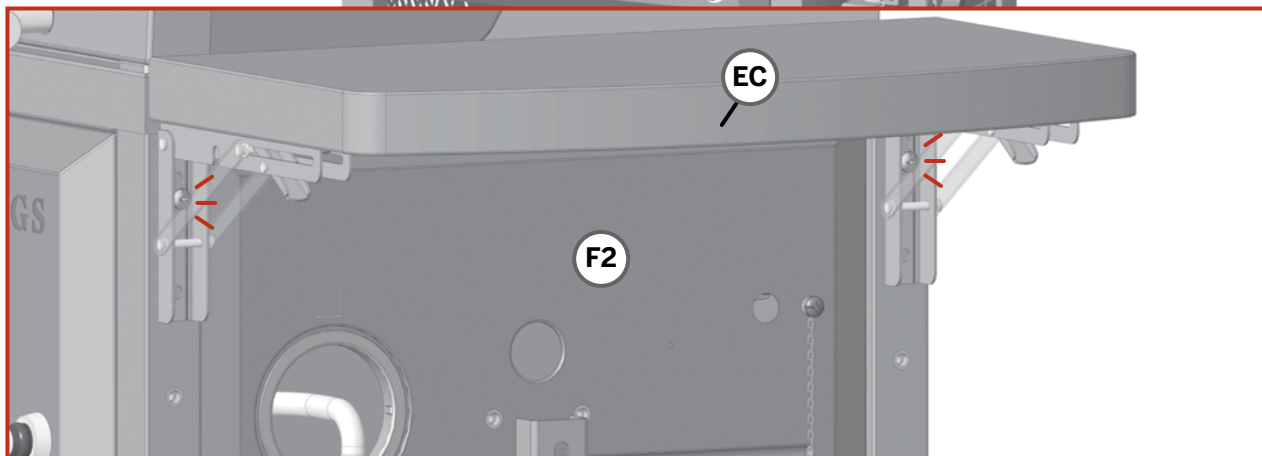
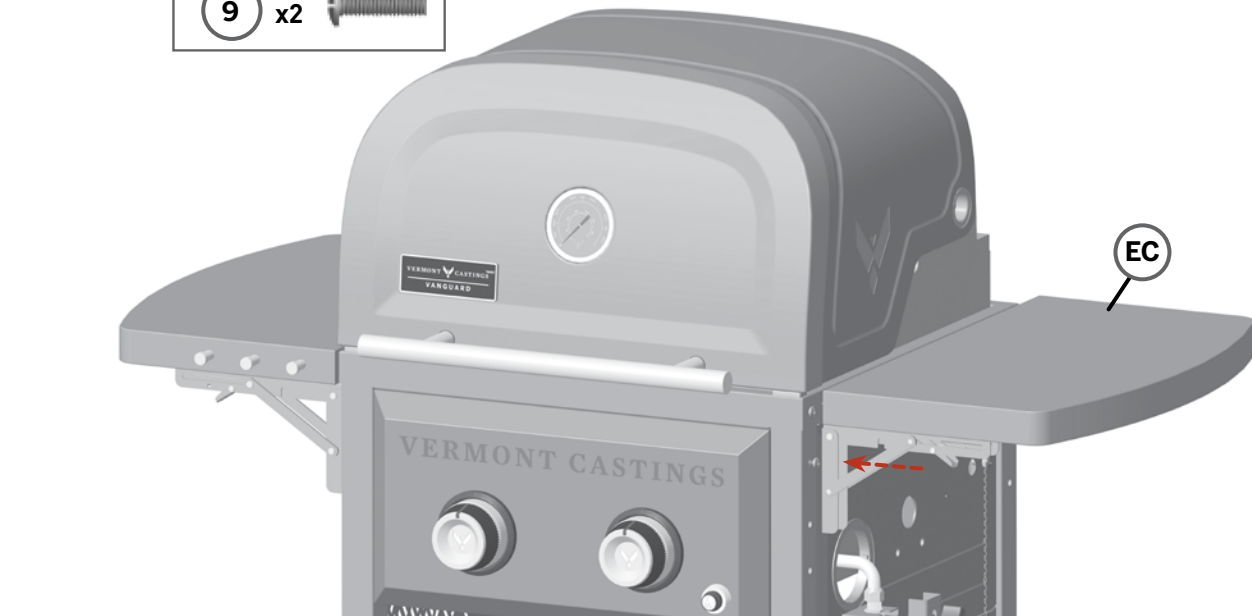
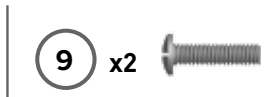
## STEP 13C





# BUILD IT

## STEP 13D

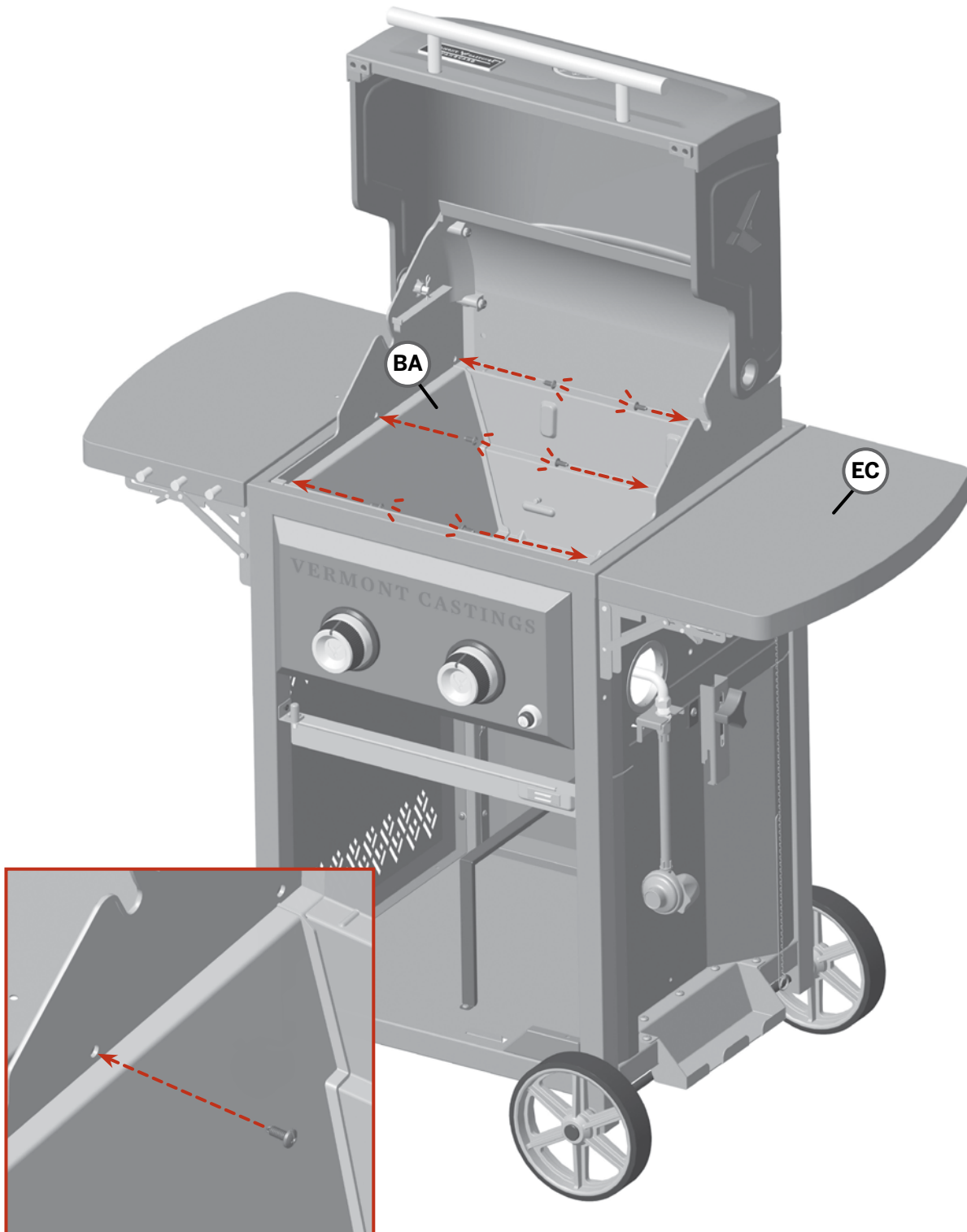


BUILD IT

# BUILD IT

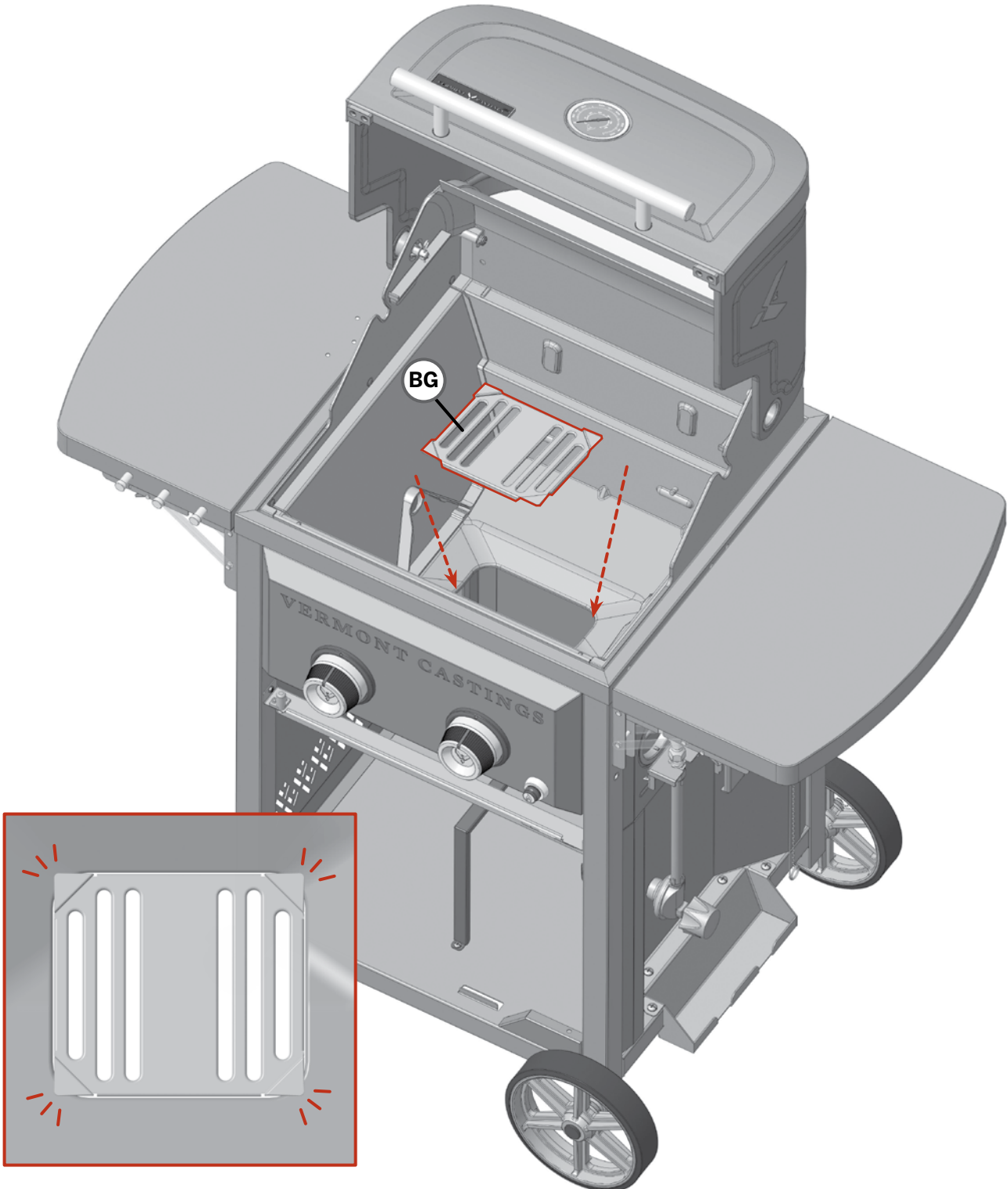
## STEP 14

12 x6



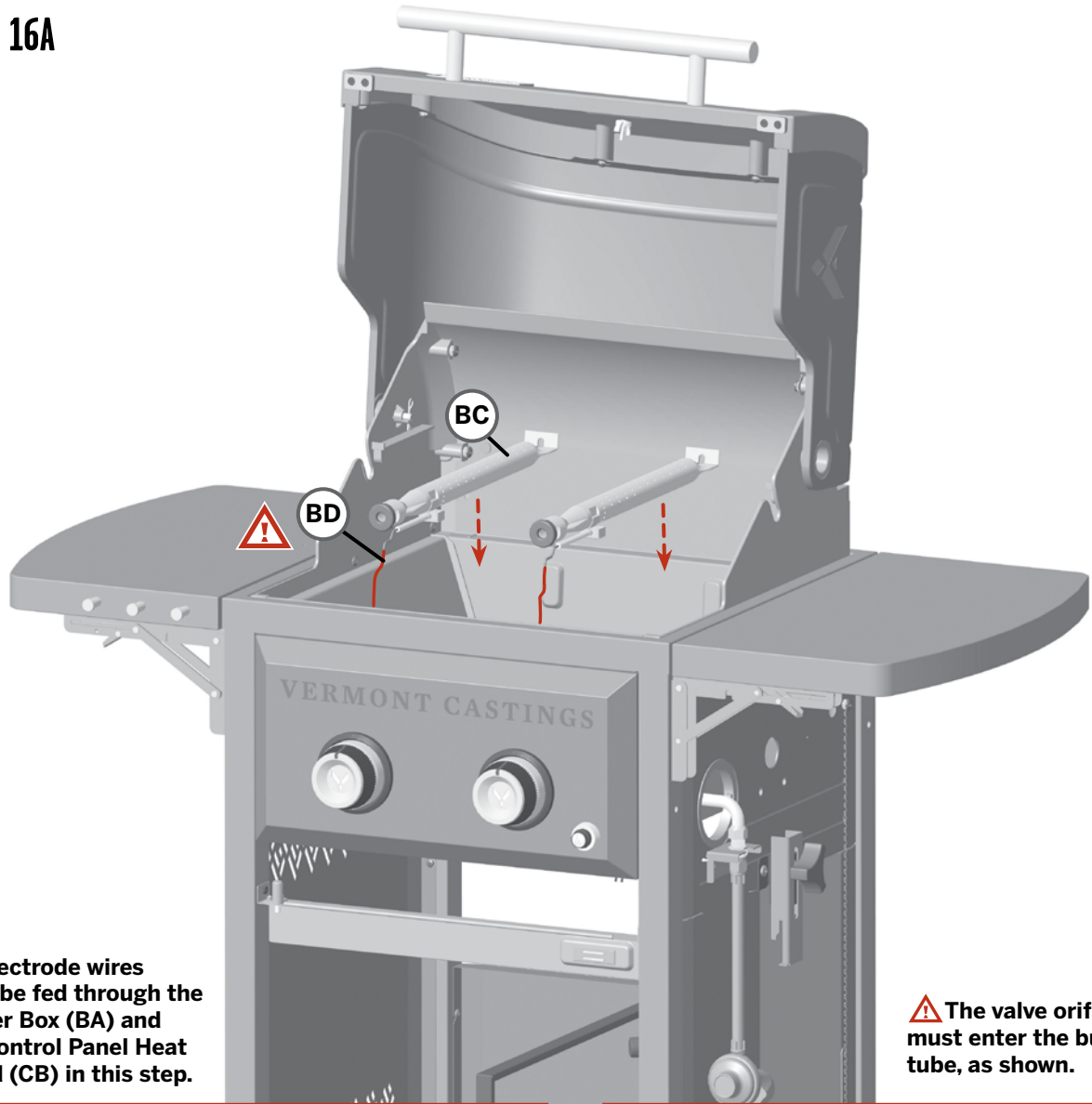
# BUILD IT

## STEP 15



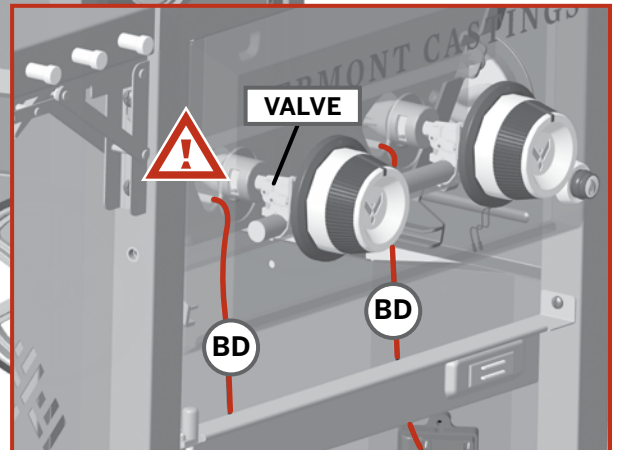
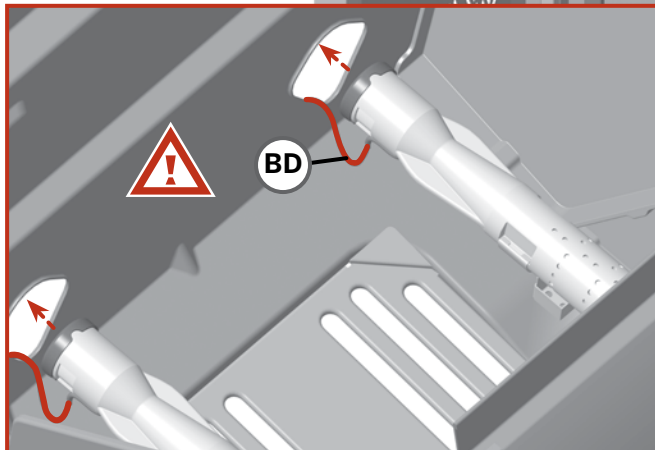
# BUILD IT

## STEP 16A



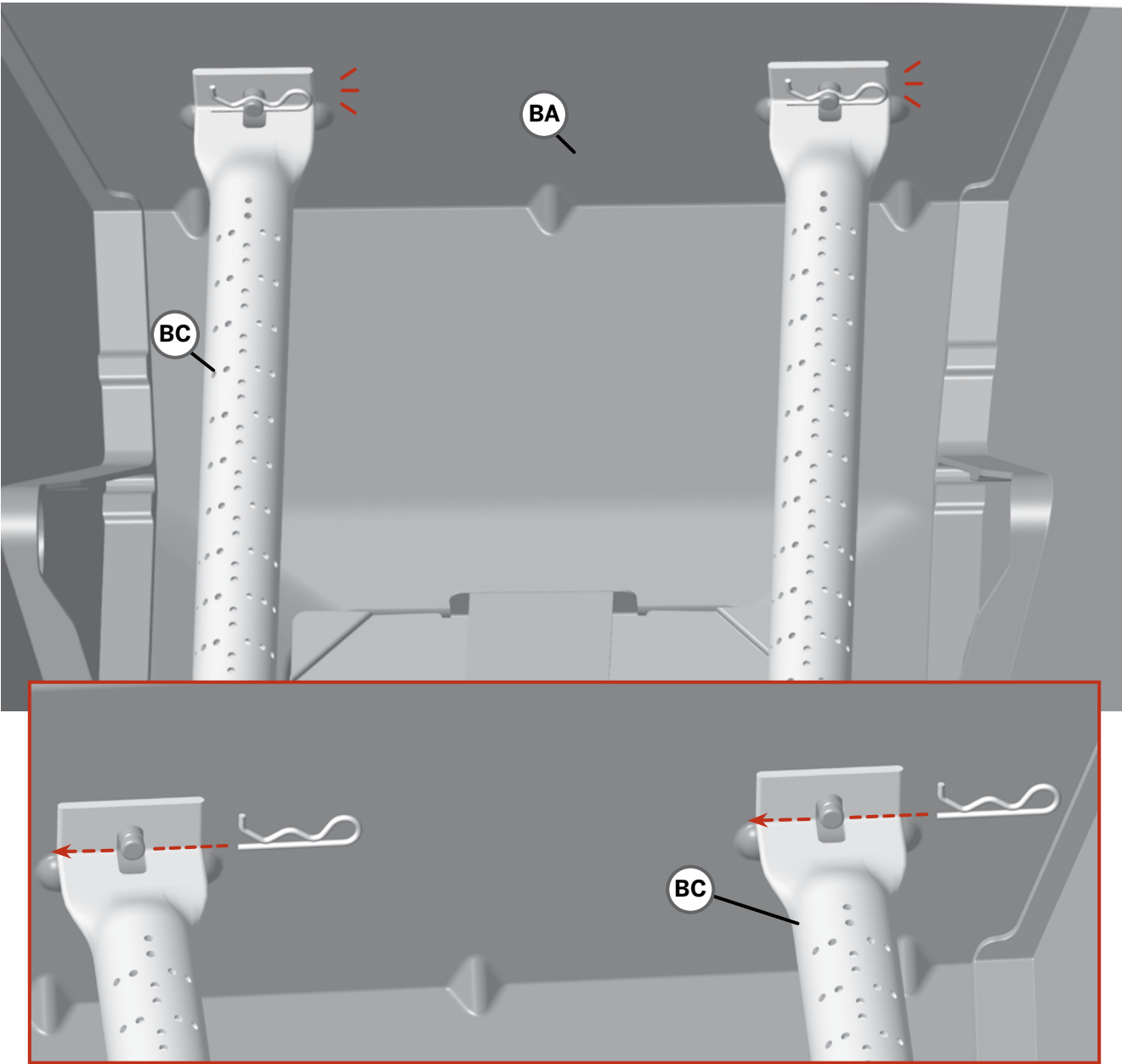
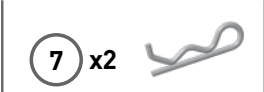
**⚠** Electrode wires must be fed through the Burner Box (BA) and the Control Panel Heat shield (CB) in this step.

**⚠** The valve orifice must enter the burner tube, as shown.



# BUILD IT

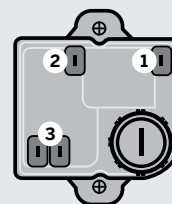
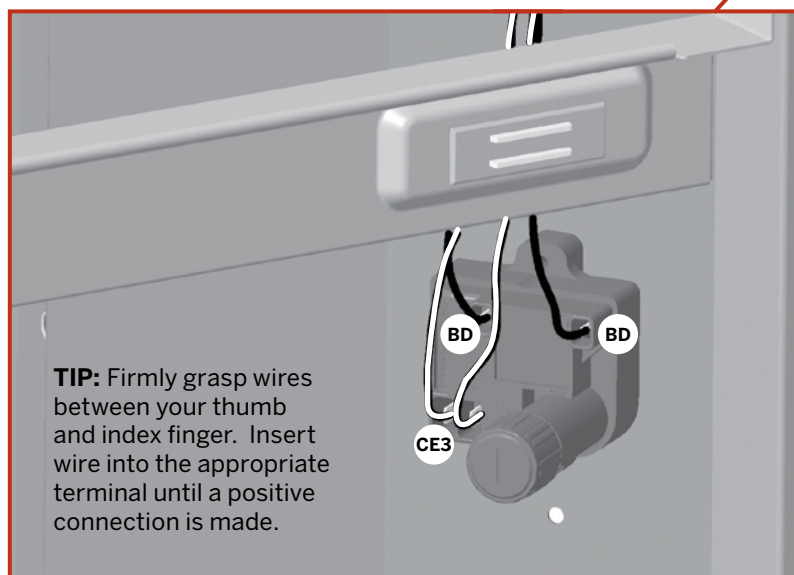
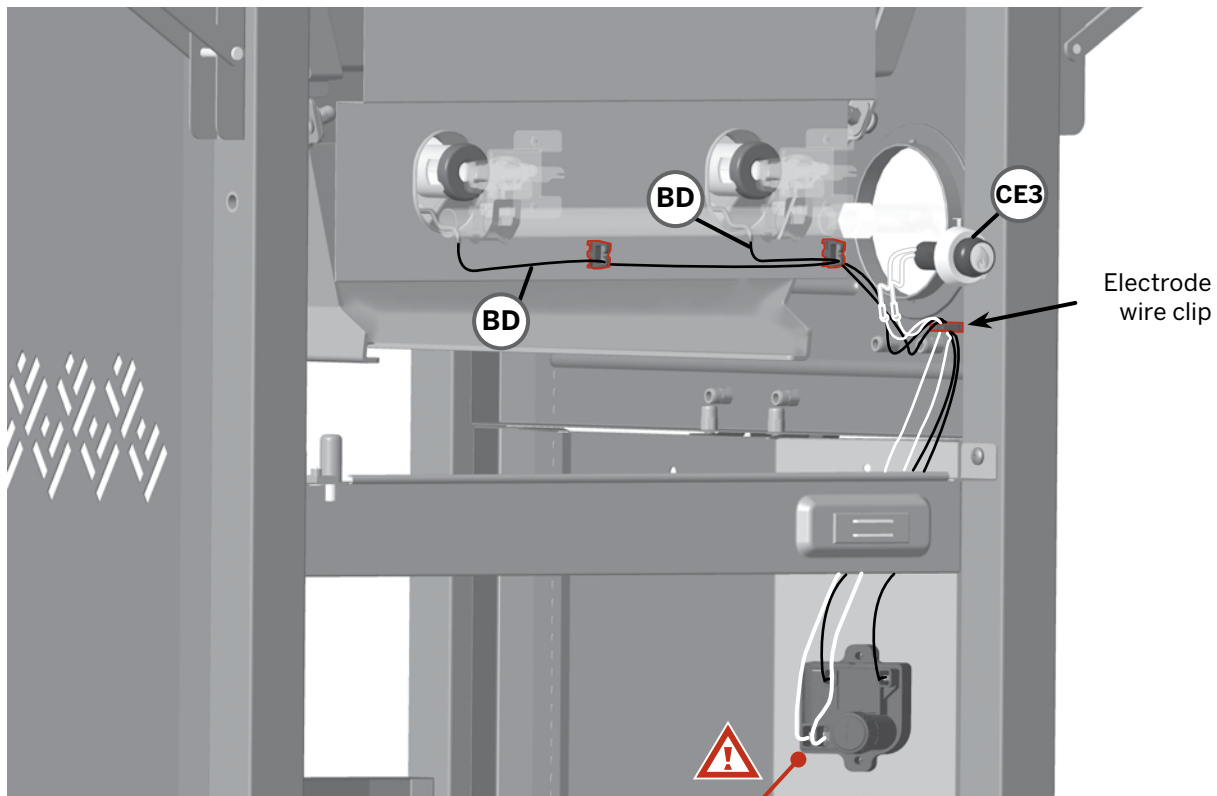
## STEP 16B



BUILD IT


# BUILD IT

## STEP 16C



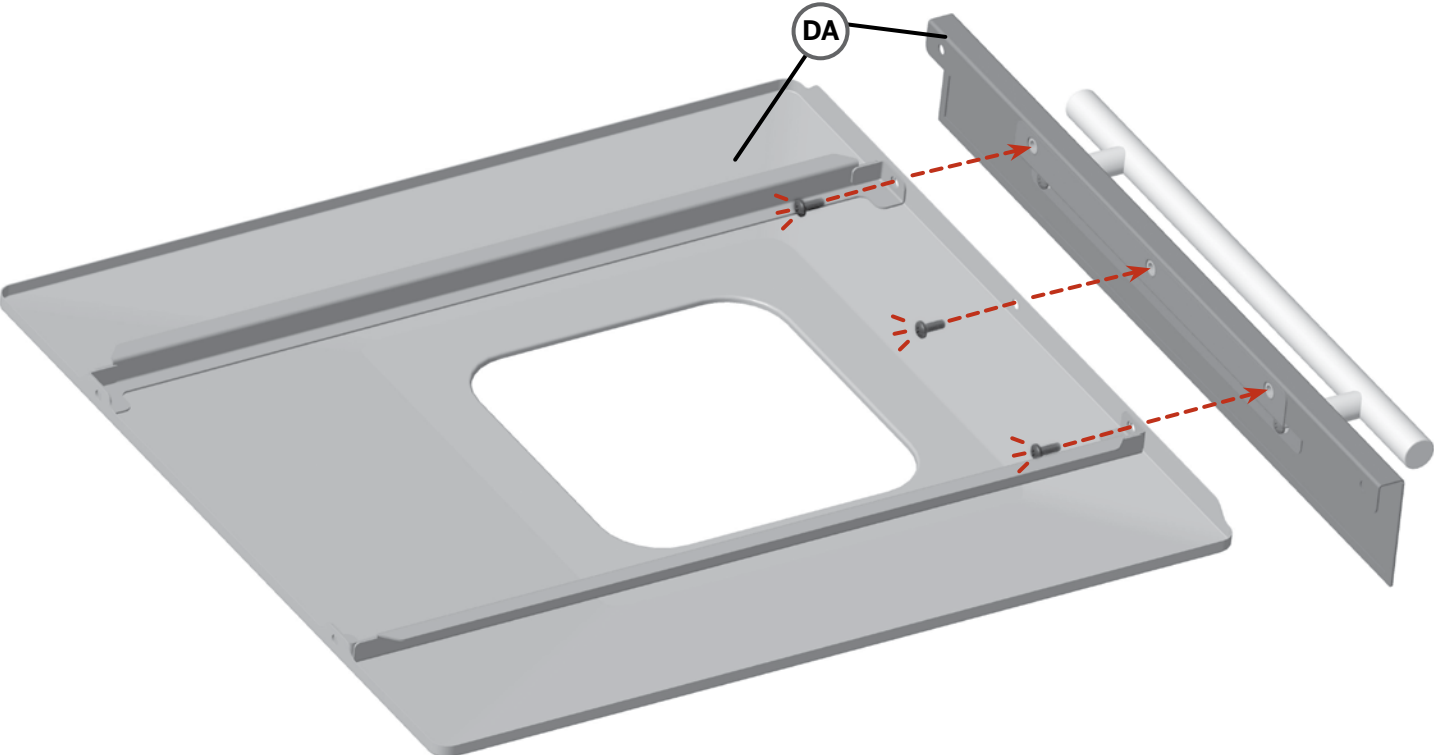
Ensure all electrode wires are inserted into the correct terminal as shown in diagram

1, 2 Main electrode 650 mm - BD

3 Ignition switch - CE3 

# BUILD IT

## STEP 17A

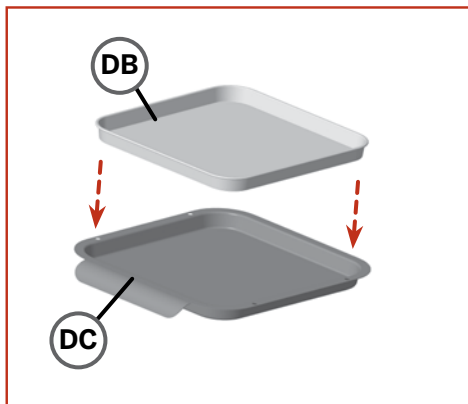
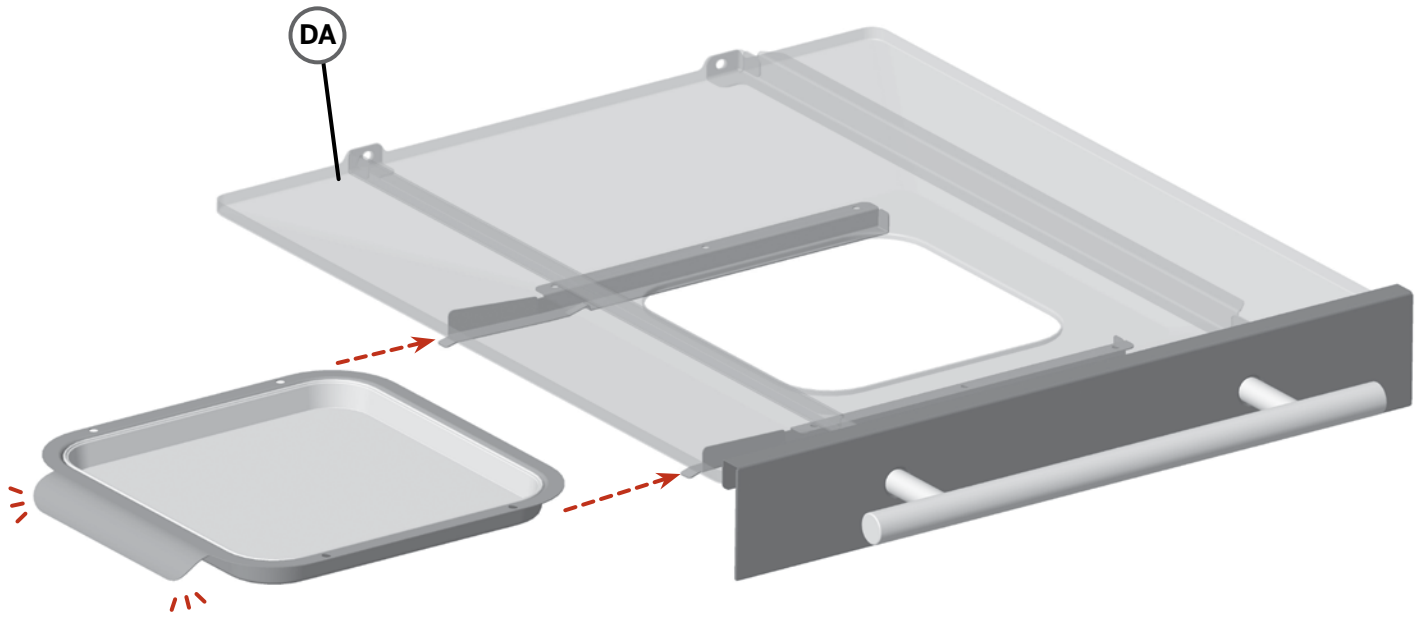


BUILD IT

# BUILD IT

## STEP 17B

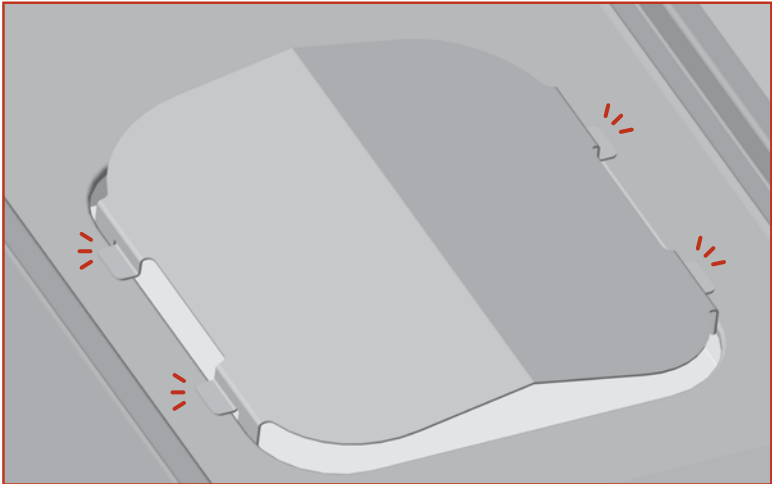
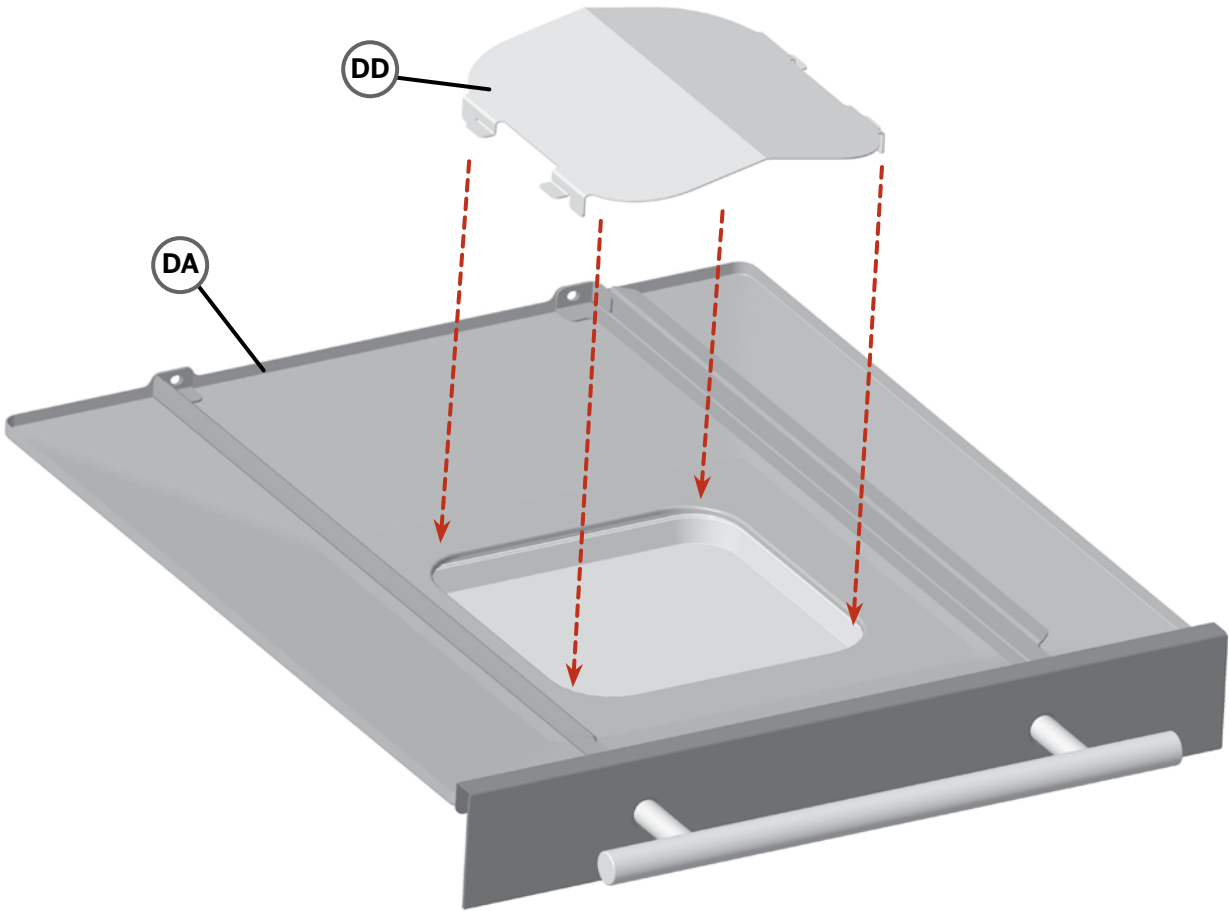
BUILD IT





# BUILD IT

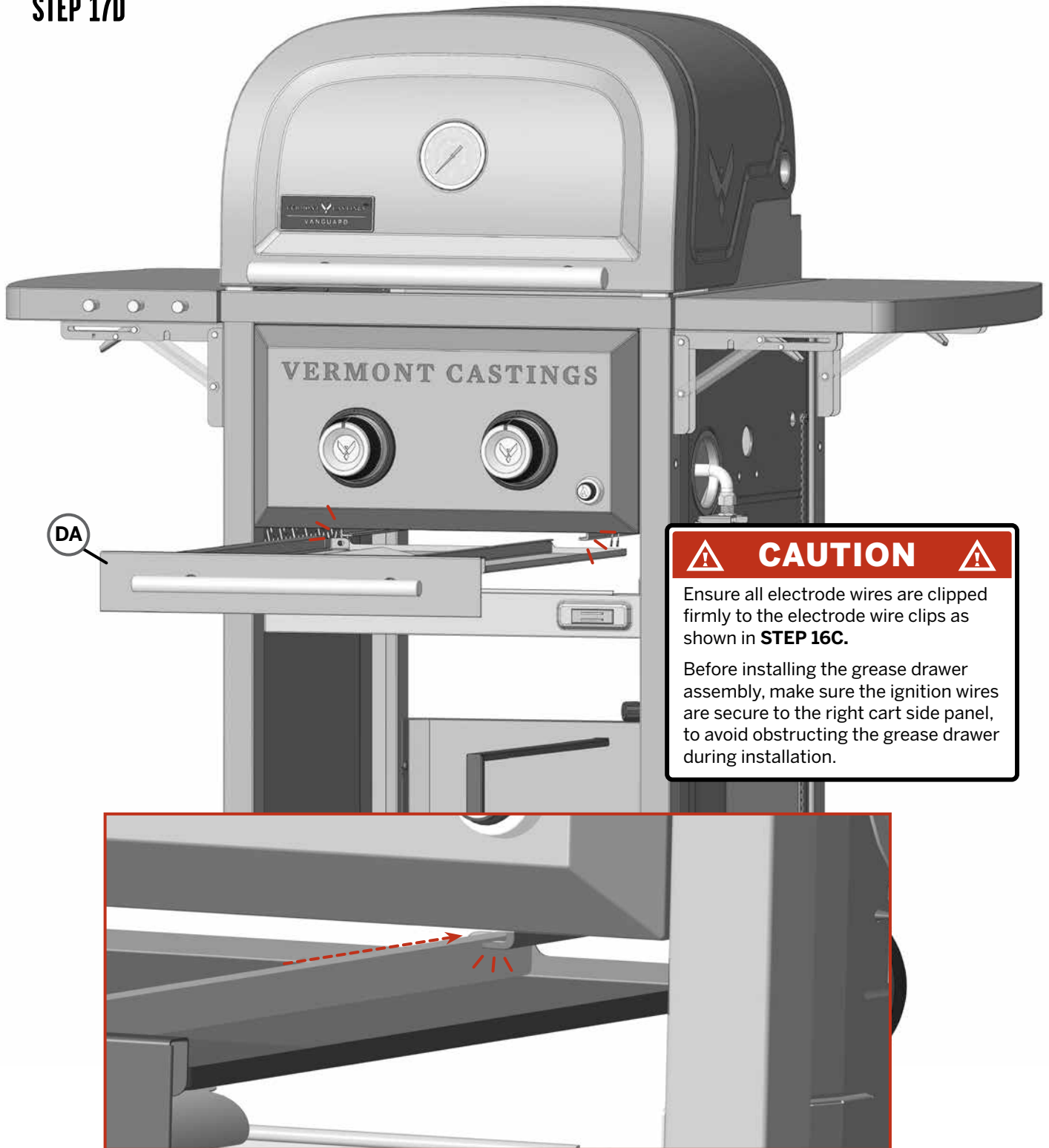
## STEP 17C



BUILD IT

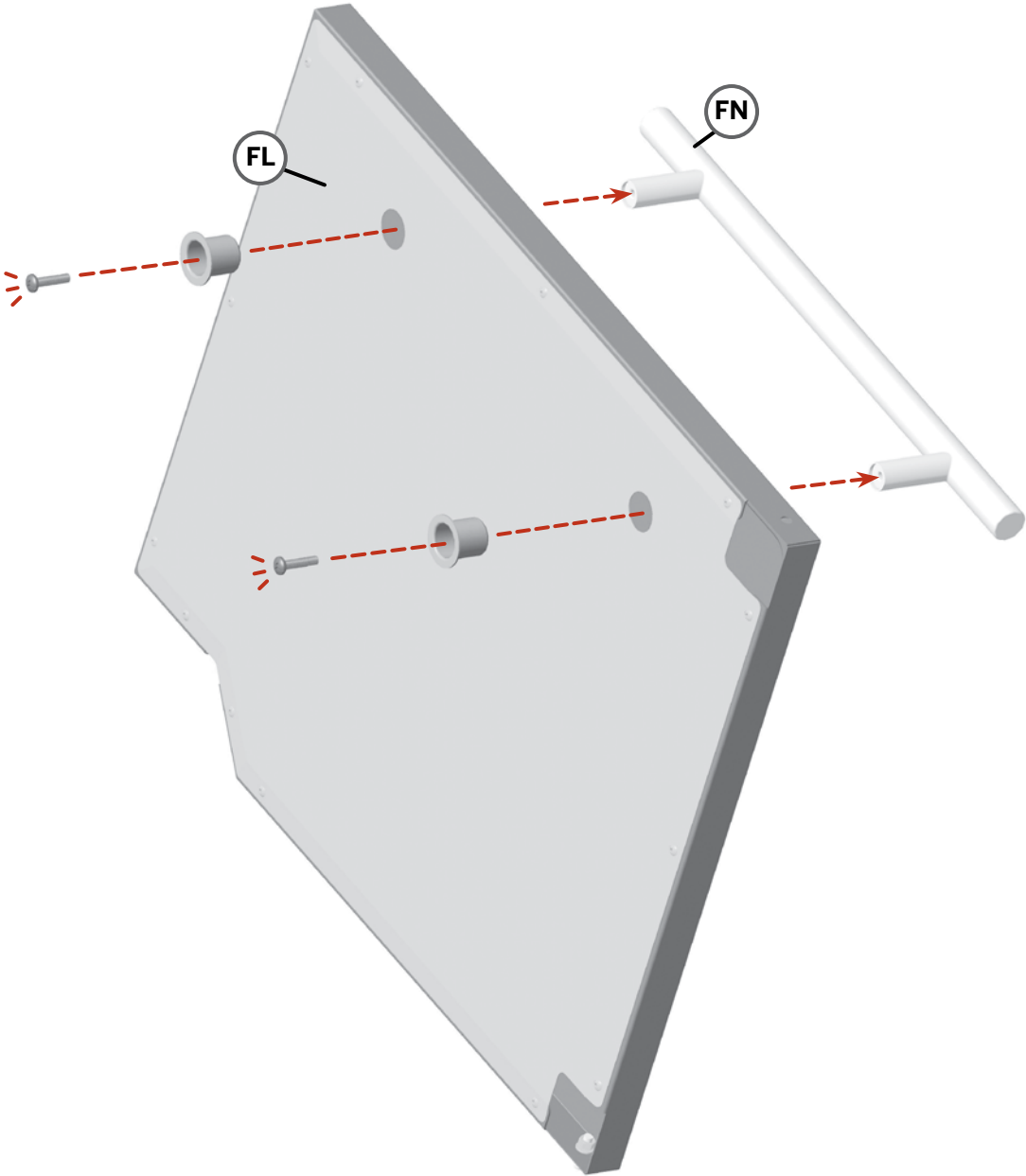
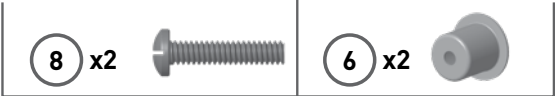
# BUILD IT

## STEP 17D



# BUILD IT

## STEP 18

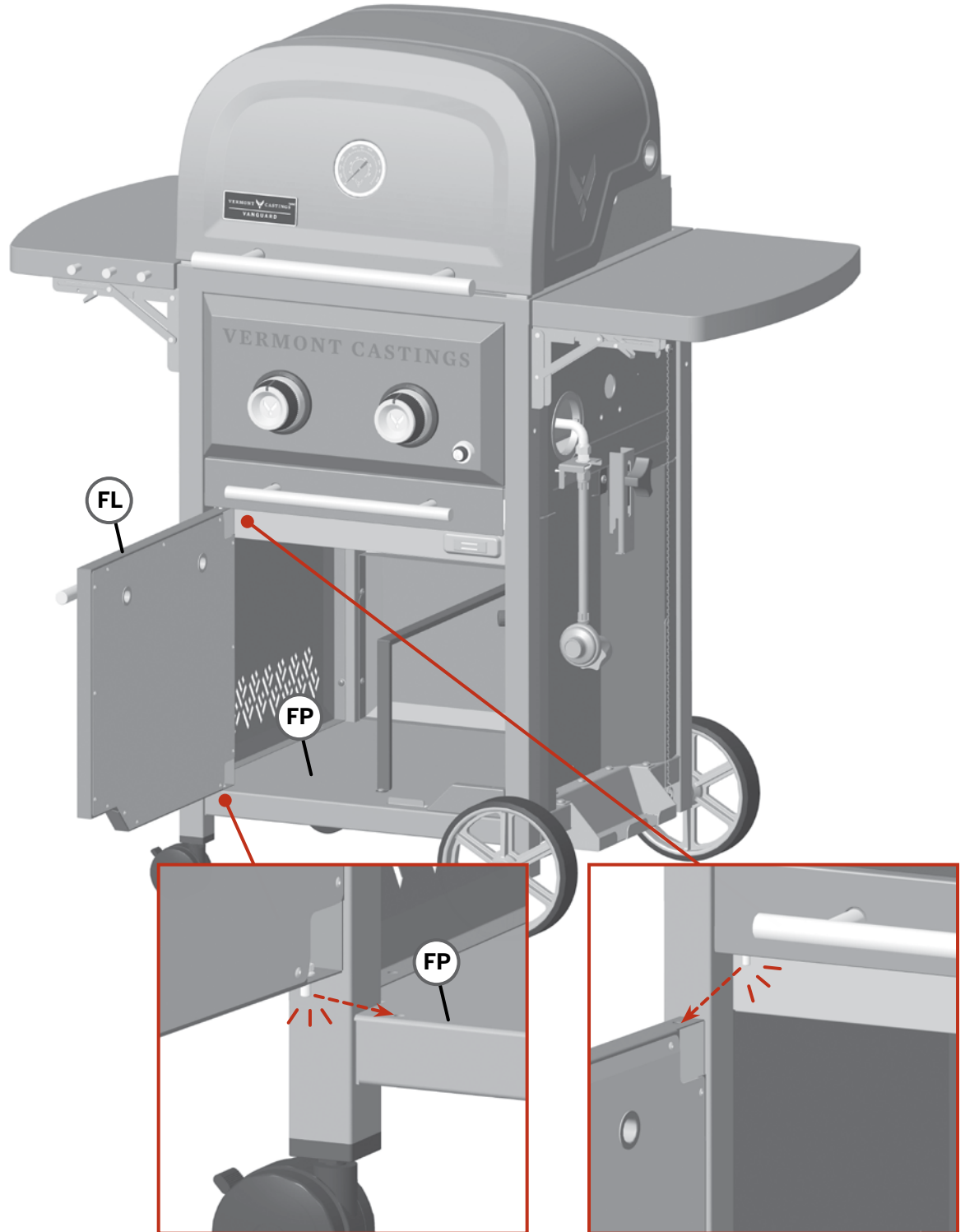


BUILD IT

# BUILD IT

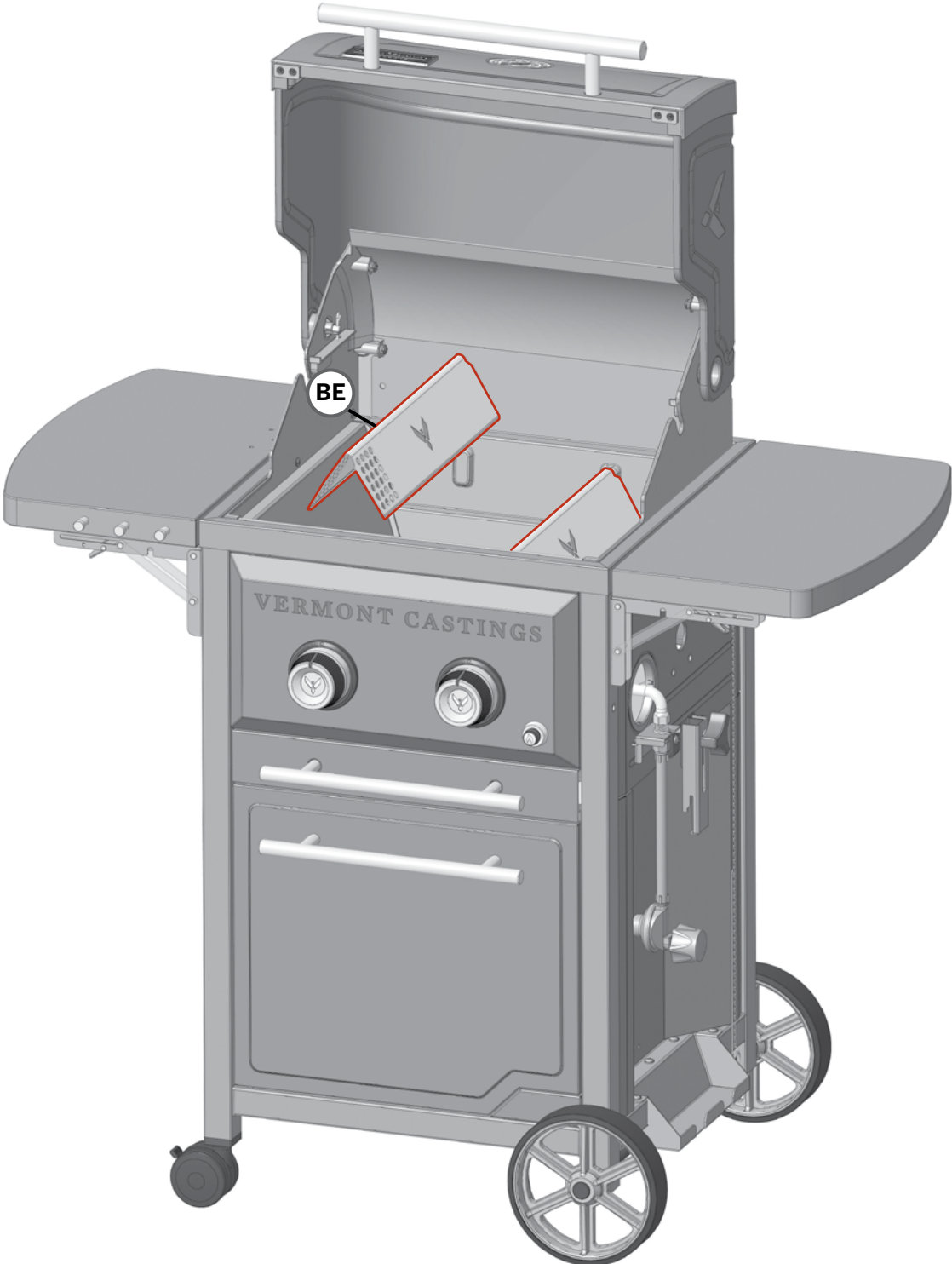
## STEP 19

BUILD IT



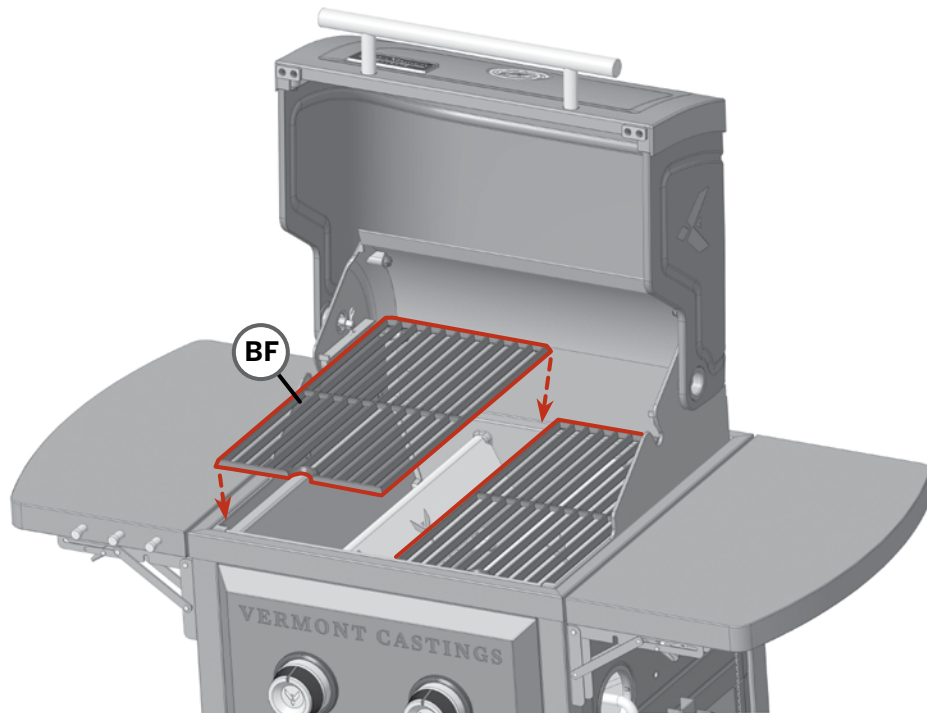
# BUILD IT

## STEP 20

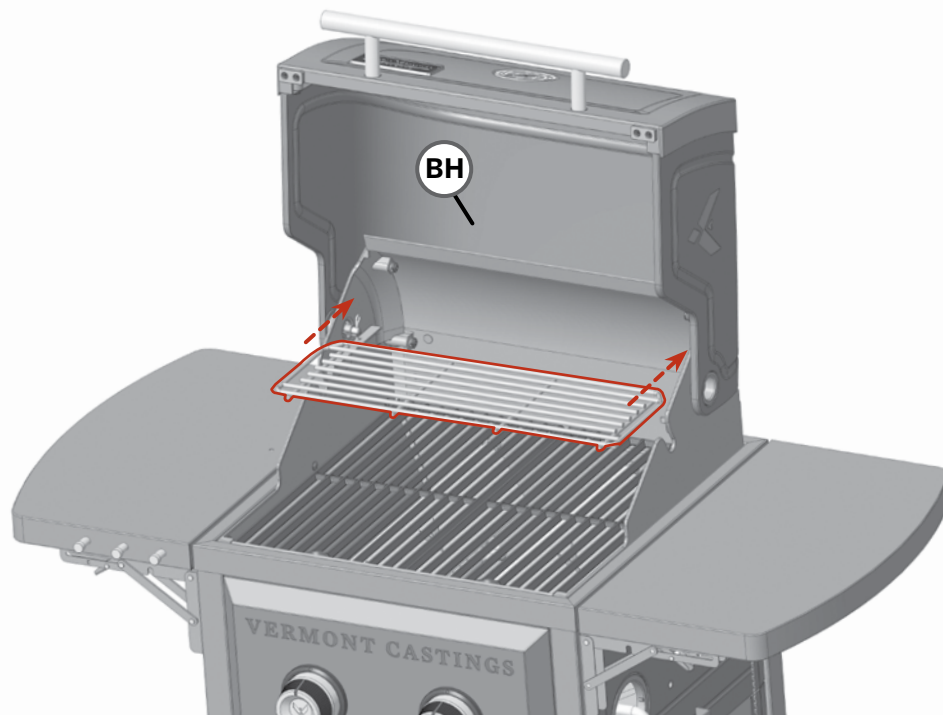


# BUILD IT

## STEP 21



## STEP 22



# BUILD IT

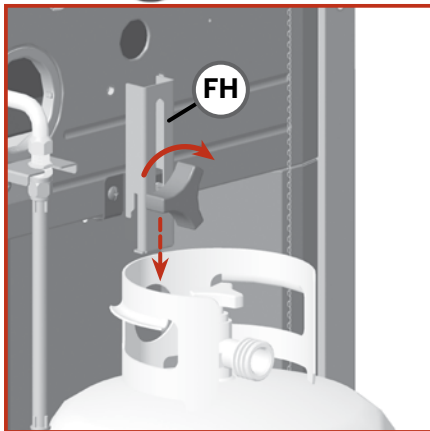
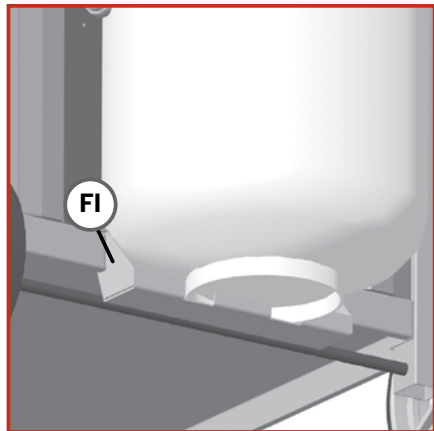
## STEP 23



NATURAL GAS CONVERSION CUSTOMERS  
PROCEED TO STEP 24.

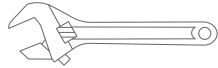


BUILD IT



# BUILD IT

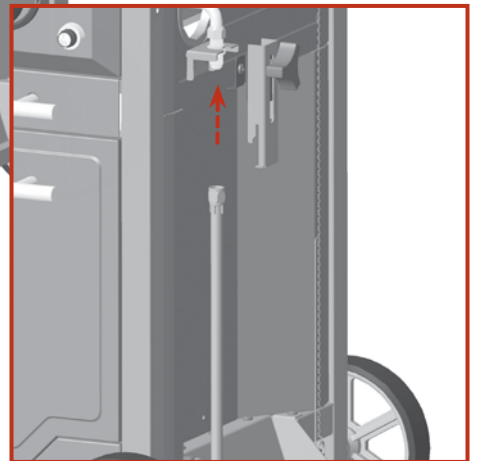
## STEP 24



Wrench

### NATURAL GAS CONVERSION CUSTOMERS ONLY.

You will need the natural gas hose included with the **Convertible Valve System Kit (Model 085-2261-4)** in this step. See **Step 9A** in manual included with this kit.

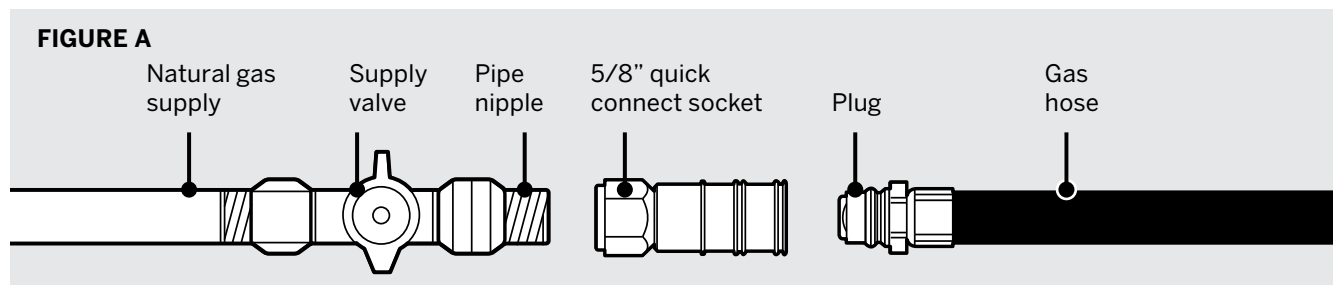




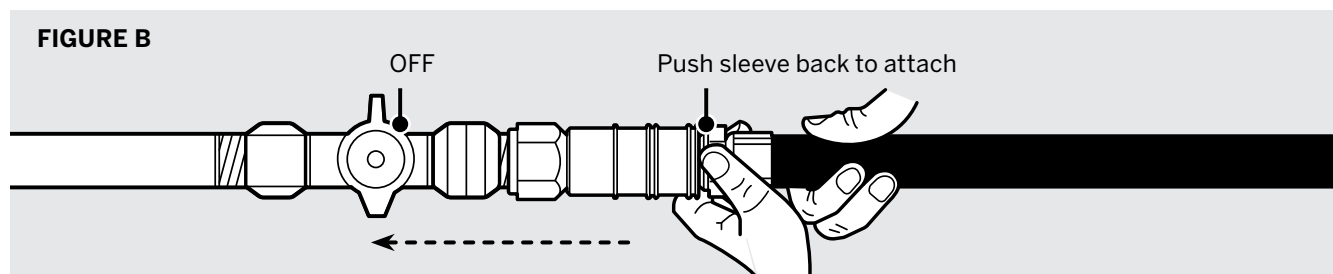
# BUILD IT

## STEP 25 CONNECTING YOUR BARBECUE TO THE NATURAL GAS SOURCE.

Coat pipe nipple with gas-resistant teflon tape or pipe dope. Tighten quick-disconnect coupling onto pipe nipple that leads to natural gas supply (**FIGURE A**).



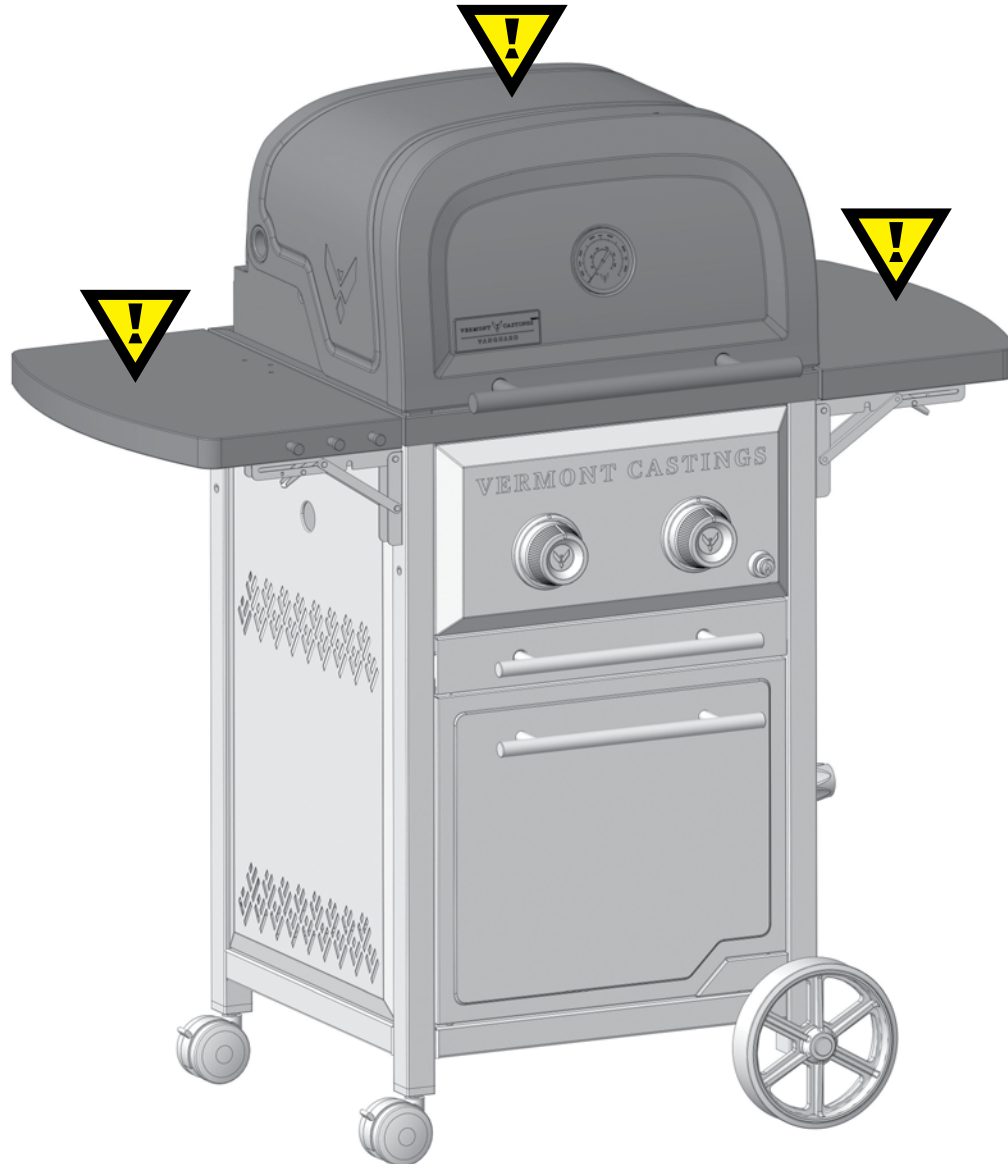
With the natural gas supply valve "OFF", connect the natural gas hose to the quick connect socket. Push the sleeve back on the quick connect socket (**FIGURE B**) and insert the plug until the sleeve snaps forward, locking the plug into the quick connect socket. Be sure to leak test these connections prior to use.



**⚠ FIRE HAZARD**—Do not route the natural gas hose inside of the barbecue cart.

# BUILD IT

 **WARNING!**  
**HOT SURFACES.**



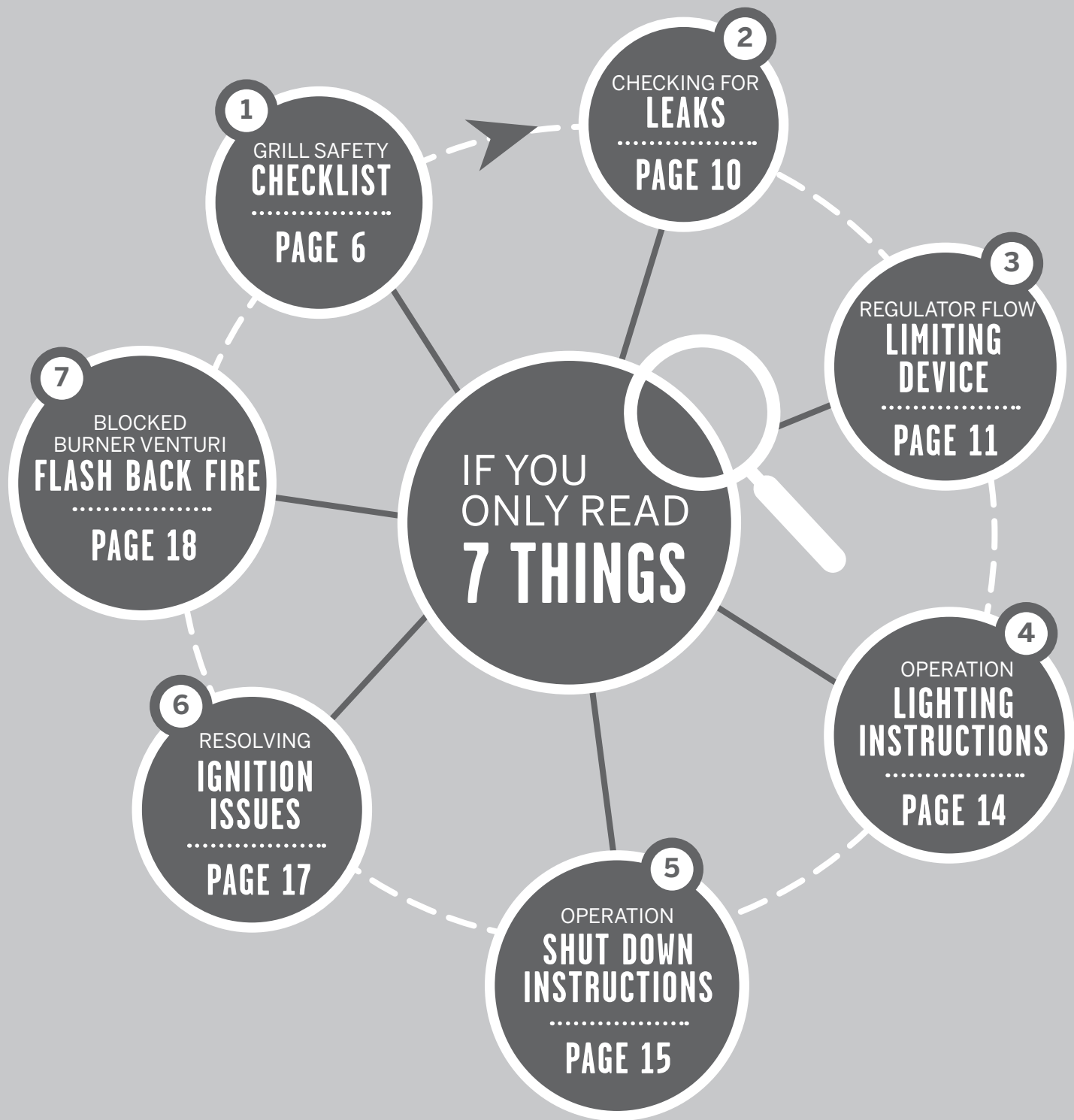
**WARNING:** EXTERIOR SURFACES WILL BECOME VERY HOT. TO PREVENT BURNS, ALWAYS WEAR INSULATED PROTECTIVE BARBECUE GLOVES WHEN USING THE BARBECUE.

- KEEP AWAY FROM COMBUSTIBLE MATERIALS.
- KEEP CHILDREN AND PETS AWAY FROM THIS GAS-FIRED BARBECUE.
- AVOID DANGEROUS FIRES: DO NOT LEAVE YOUR BARBECUE UNATTENDED WHILE IN OPERATION.

# BEFORE YOU BEGIN

**DON'T TAKE RISKS, READ THE USER MANUAL.  
KNOWING HOW YOUR BARBECUE WORKS IS KEY TO USING IT SAFELY.**

BEFORE YOU BEGIN





**VERMONT  
CASTINGS** <sup>TM</sup><sub>MC</sub>



CONTACT US 1-844-586-4660  
[WWW.VERMONTCASTINGSBBQ.COM](http://WWW.VERMONTCASTINGSBBQ.COM)