

SERIAL NO./ N° DE SÉRIE



VERMONT CASTINGSTM_{MC}

VERMONT CASTINGS VANGUARD^{TM/MC} 3-BURNER BARBECUE

G53901
ASSEMBLY MANUAL
REGISTER YOUR NEW GRILL AT
WWW.VERMONTCASTINGSBBQ.COM

Before you begin >>>



ENHANCE YOUR ASSEMBLY WITH A
QUICKER & EASIER ASSEMBLY EXPERIENCE
DOWNLOAD THE FREE APP



LAST UPDATE: MAR 27, 2020



WELCOME TO VERMONT CASTINGS

Founded in 1975, Vermont Castings has always stood for uncompromising commitment to quality craftsmanship and meaningful design. Our wood stoves and hearth products deliver more than heat – they create a warmth that unites.

Lit with purpose, our line of Vermont Castings barbecues are designed to deliver your best grilling experience. With a durable, robust construction built to last through the years, thoughtfully constructed components that stand up to grilling in any season, and a simplified system to make maintaining your investment easier, Vermont Castings continues the promise of unwavering quality and purposeful design.

Vermont Castings barbecues do more than just grill. They let you create enduring connections around food and flame.



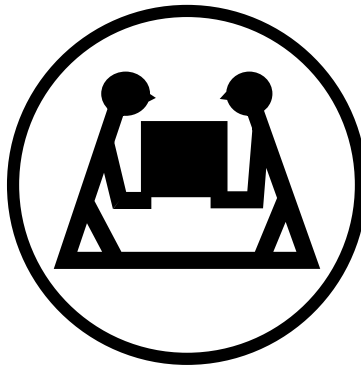
ANS Z21.58-2018 / CSA1.6-2018
Outdoor Cooking Gas Appliances



ANS Z21.58-2018 / CSA1.6-2018
Outdoor Cooking Gas Appliances

CONTACT US: 1-844-586-4660
WWW.VERMONTCASTINGSBBQ.COM

PLEASE KEEP THIS MANUAL WITH YOUR
BARBECUE FOR FUTURE REFERENCE



HEAVY ARTICLE NEEDS 2 TO LIFT

THIS MANUAL MUST REMAIN WITH THE PRODUCT AT ALL TIMES

To ORDER non-warranty replacement parts or accessories, or to register your warranty, please visit us on the web at www.vermontcastingbbq.com

⚠ CAUTION

Sharp edges. Wear gloves when assembling your grill.

⚠ CAUTION

Read and follow all safety statements, assembly instructions, use and care directions before attempting to assemble and cook.

⚠ INSTALLER OR ASSEMBLER/ CONSUMER

This manual should be kept with the BBQ at all times.

⚠ WARNING

Failure to follow all of the Manufacturer's instructions could result in hazardous fires, explosions, property damage, or serious personal injury or even death.

Follow all leak check procedures carefully prior to operation of barbecue, even if grill was dealer assembled. Do not try to light this barbecue without reading the Lighting Instructions section of this manual.

⚠ DANGER

1. If you smell Gas:
 - a. Shut off gas to the appliance
 - b. Extinguish any open flame
 - c. Open lid
 - d. If odor continues, keep away from the appliance and immediately call your gas supplier or your fire department
2. Requires two people to complete the assembly process.
3. Beware of sharp edges.

⚠ WARNING

1. Do not store or use gasoline or other flammable liquids or vapours in the vicinity of this or any other appliance.
2. An LP cylinder not connected for use shall not be stored in the vicinity of this or any other appliance.

⚠ WARNING

IN DIRECT SUN, AND IN OPERATION, YOUR BBQ'S STAINLESS STEEL AND PAINTED STEEL PARTS CAN BECOME VERY HOT.

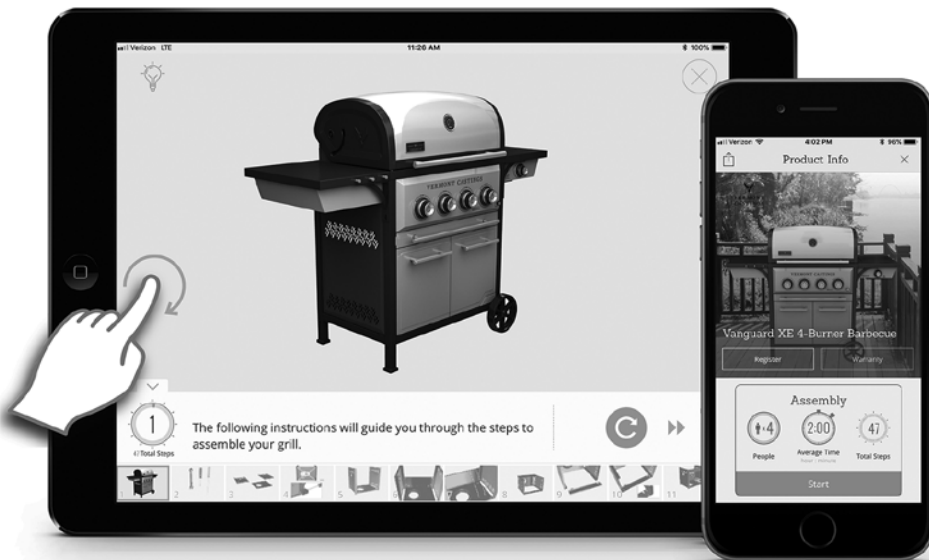
THIS BARBECUE IS FOR OUTDOOR USE ONLY

CONTACT CALL CENTRE IF ANY PARTS ARE MISSING

1-844-586-4660

IMPORTANT

Easy step-by-step
interactive 3D instructions
for this product can be found in



BILT. INTELLIGENT INSTRUCTIONS

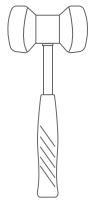


Available on most iOS and Android Devices

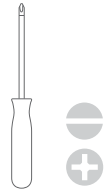
DOWNLOAD THE **FREE** APP



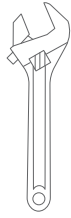
TOOLS REQUIRED



Mallet



Screwdrivers



Wrench



4 People

HARDWARE PACK

PART NO.	DESCRIPTION	PHOTO	QTY
1	¼"-20UNC x 38 Screw		6
2	¼"-20UNC x 13 Screw		21
3	NO.10-24UNC x 13 Screw		29
4	ST4.8 x 10 Tapping Screw		2
5	Wheel Bushing		3
6	Pin, Wheel		1
7	Spacer, Door Handle		4
8	Pin, Main Burner		3
9	NO.10-24UNC x 18 Screw		4
10	¼"-20UNC x 18 Screw		8

SYMBOLS



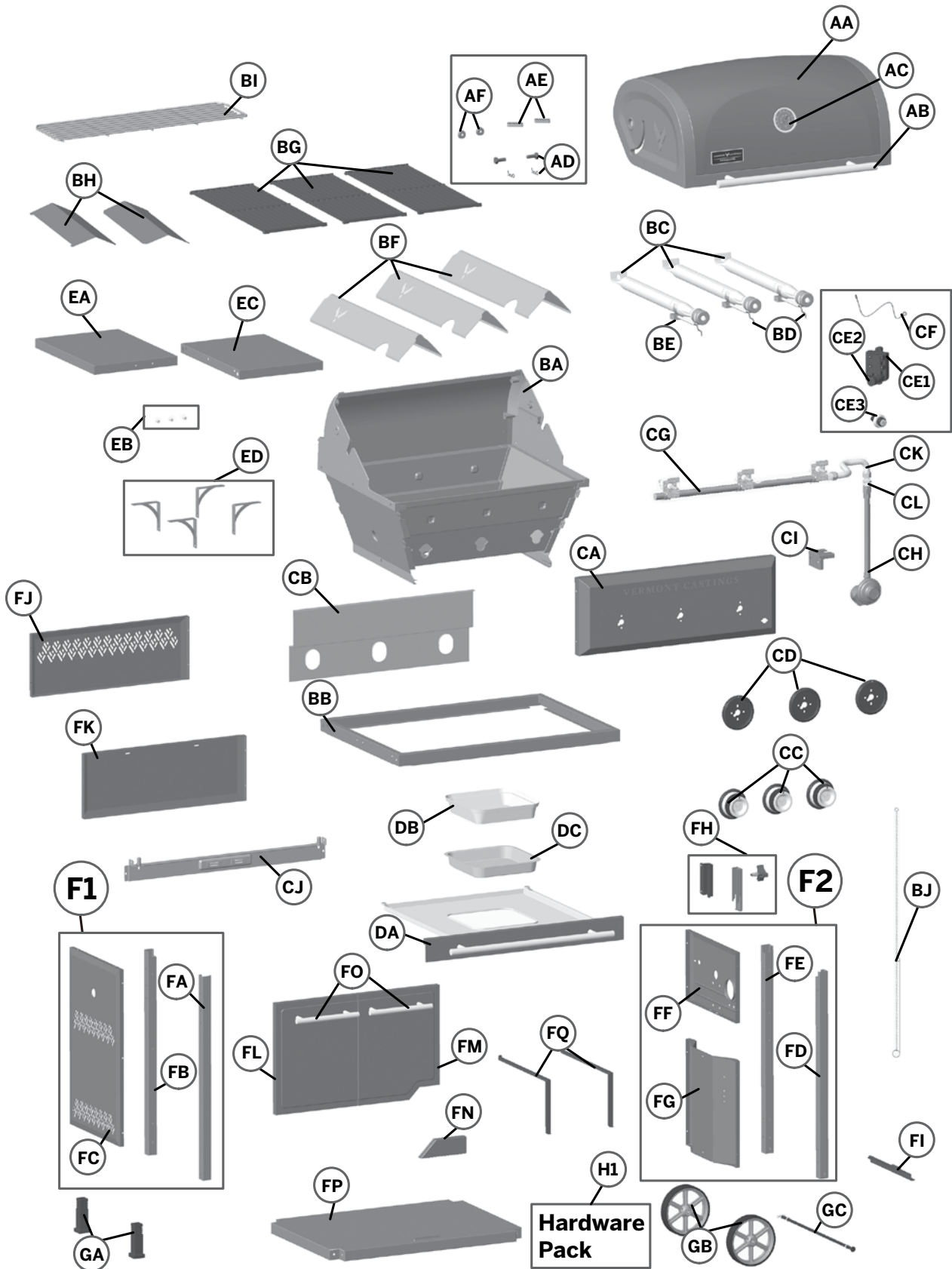
SYMBOLS: THESE SYMBOLS ARE USED THROUGHOUT THIS ASSEMBLY MANUAL TO EMPHASIZE CRITICAL AND IMPORTANT PART INFORMATION.

PARTS

ITEM NO.	QTY.	DESCRIPTION	PART NO.	ITEM NO.	QTY.	DESCRIPTION	PART NO.
AA	1	Top Lid Assembly	G539-1800-02	DA	1	Grease Drawer Assembly	G539-1600-01
AB	1	Lid Handle	G539-0023-01	DB	1	Replacement Liner	G366-0022-01
AC	1	Thermometer	G366-0035-01	DC	1	Grease Pan	G366-0021-01
AD	2	Top Lid screw & hitch pin	G539-0024-02				
AE	2	Lid Bumper, Top Lid	G539-0034-01	EA	1	Side Shelf Table, Left	G539-0025-01
AF	2	Lid Bumper, Burner Box	G527-0002-02	EB	3	Tool Hooks	G366-0041-01
				EC	1	Side Shelf Table, Right	G539-0026-01
BA	1	Burner Box Assembly	G539-1700-01	ED	4	Side Shelf Support Brace	G539-0500-01
BB	1	Top Frame	G539-0100-01				
BC	3	Main Burners	G366-0400-01	FA	1	Front Leg, Left (F1)	G366-1001-01
BD	2	Electrode Set 600mm, Main Burner	G366-0030-01	FB	1	Back Leg, Left (F1)	G366-1002-01
BE	1	Electrode Set 800mm, Main Burner	G539-0028-01	FC	1	Cart Side Panel, Left (F1)	G366-1003-01
BF	3	Heat Plate	G366-0031-01	FD	1	Front Leg, Right (F2)	G366-1101-01
BG	3	Cooking Grate	G539-0018-01	FE	1	Back Leg, Right (F2)	G366-1102-01
BH	2	Heat Shield, Burner Box	G366-0048-01	FF	1	Upper Cart Side Panel, Right (F2)	G366-1103-01
BI	1	Warming Rack	G539-0019-01	FG	1	Lower Cart Side Panel, Right (F2)	G366-1104-01
BJ	1	Match Holder	G570-0035-01	FH	1	Cylinder Support	G539-0017-02
				FI	1	Tank Base Support	G539-0016-01
CA	1	Control Panel	G539-0006-01	FJ	1	Upper Back Panel	G539-0005-01
CB	1	Heat Shield, Control Panel	G539-0032-01	FK	1	Lower Back Panel	G539-0004-01
CC	3	Control Knob	G366-1500-01	FL	1	Door Assembly, Left	G539-1400-01
CD	3	Bezel, Control Knob	G366-0010-01	FM	1	Door Assembly, Right	G539-1500-01
CE1	1	Electronic Ignition Module	G539-0003-01	FN	1	Lower Door Brace	G366-0015-01
CE2	1	Battery Cover	G366-0006-02	FO	2	Door Handle	G539-0010-01
CE3	1	Ignition Switch	G366-0011-01	FP	1	Bottom Panel	G539-0001-01
CF	1	Ground Wire	G602-0024-03	FQ	2	Tank Exclusion Brace	G366-0014-01
CG	1	Manifold Assembly	G539-1200-01				
CH	1	Regulator	G312-1004-01	GA	2	Feet	G539-0002-01
CI	1	Regulator Bracket	G366-0046-01	GB	2	Wheel	G366-1200-01
CJ	1	Front Brace with Door Magnet	G539-1300-01	GC	1	Wheel Axle	G366-0003-01
CK	1	Metal Hose	G508-0024-01				
CL	1	Hose Connector	G537-0002-01	H1	1	Hardware Pack	G539-B001-01
				H2	1	Assembly Manual	G539-M001-01
				H3	1	User Manual	G539-M001-02

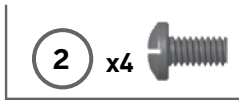
EXPLODED PARTS

START IT

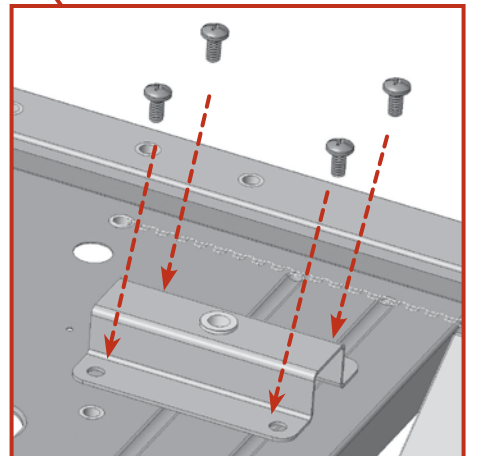
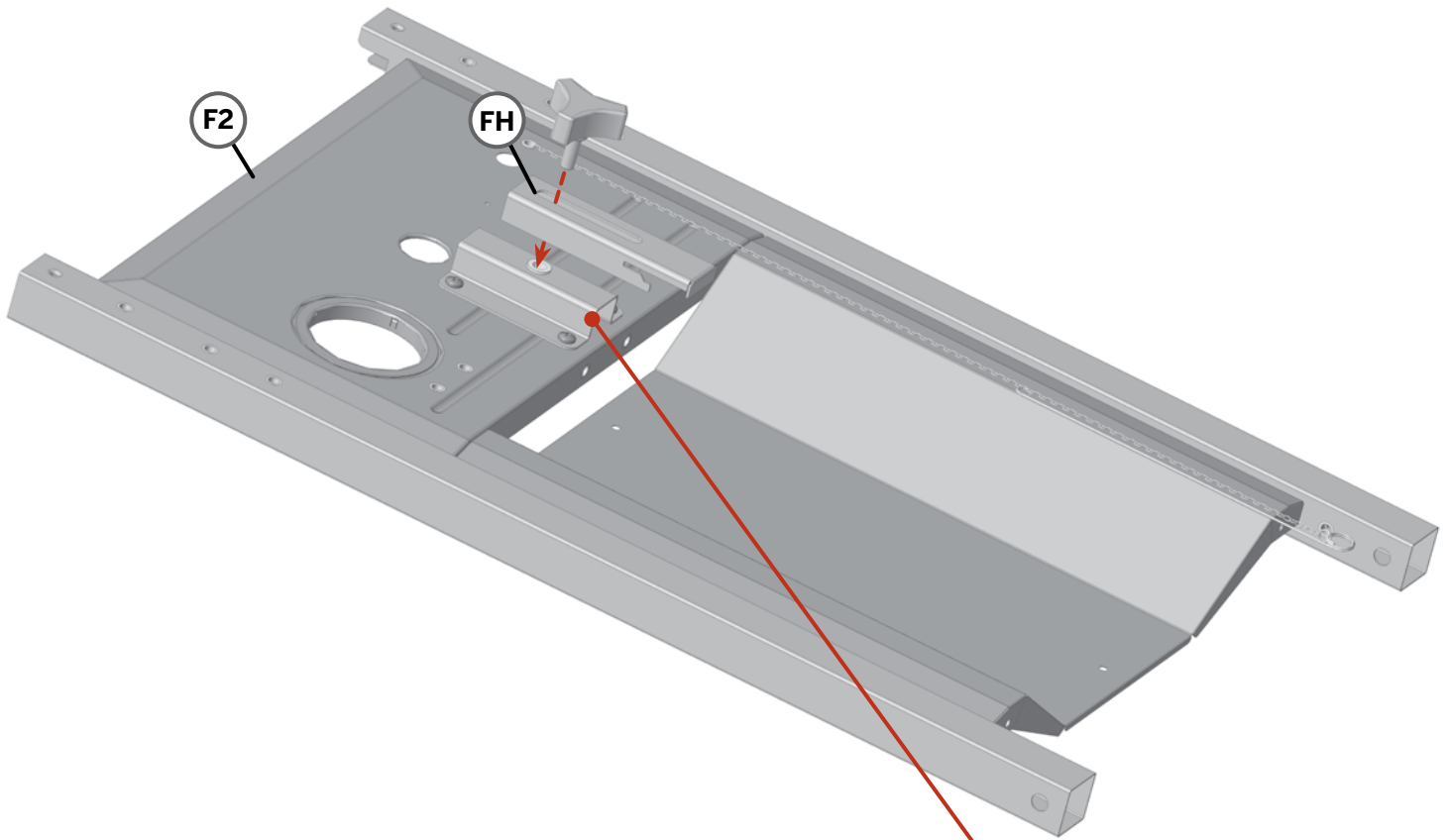


BUILD IT

STEP 1A

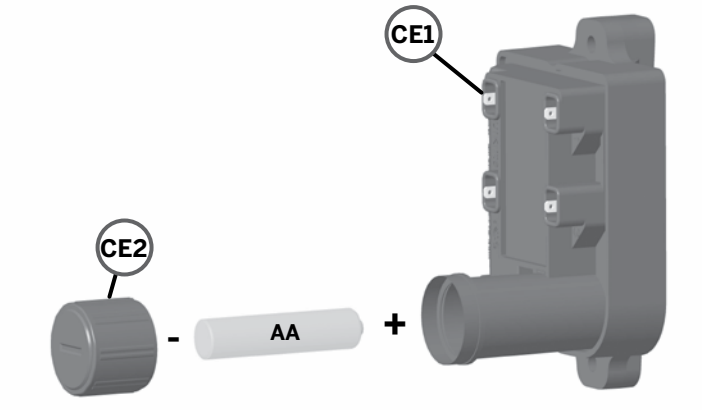


Assemble on a **FLAT** and **SOFT** surface to avoid damage.



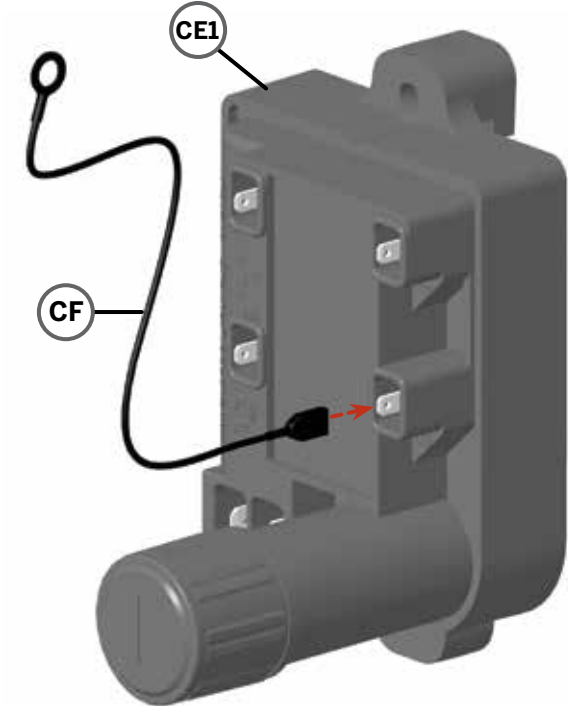
BUILD IT

STEP 1B



BATTERY NOT INCLUDED.

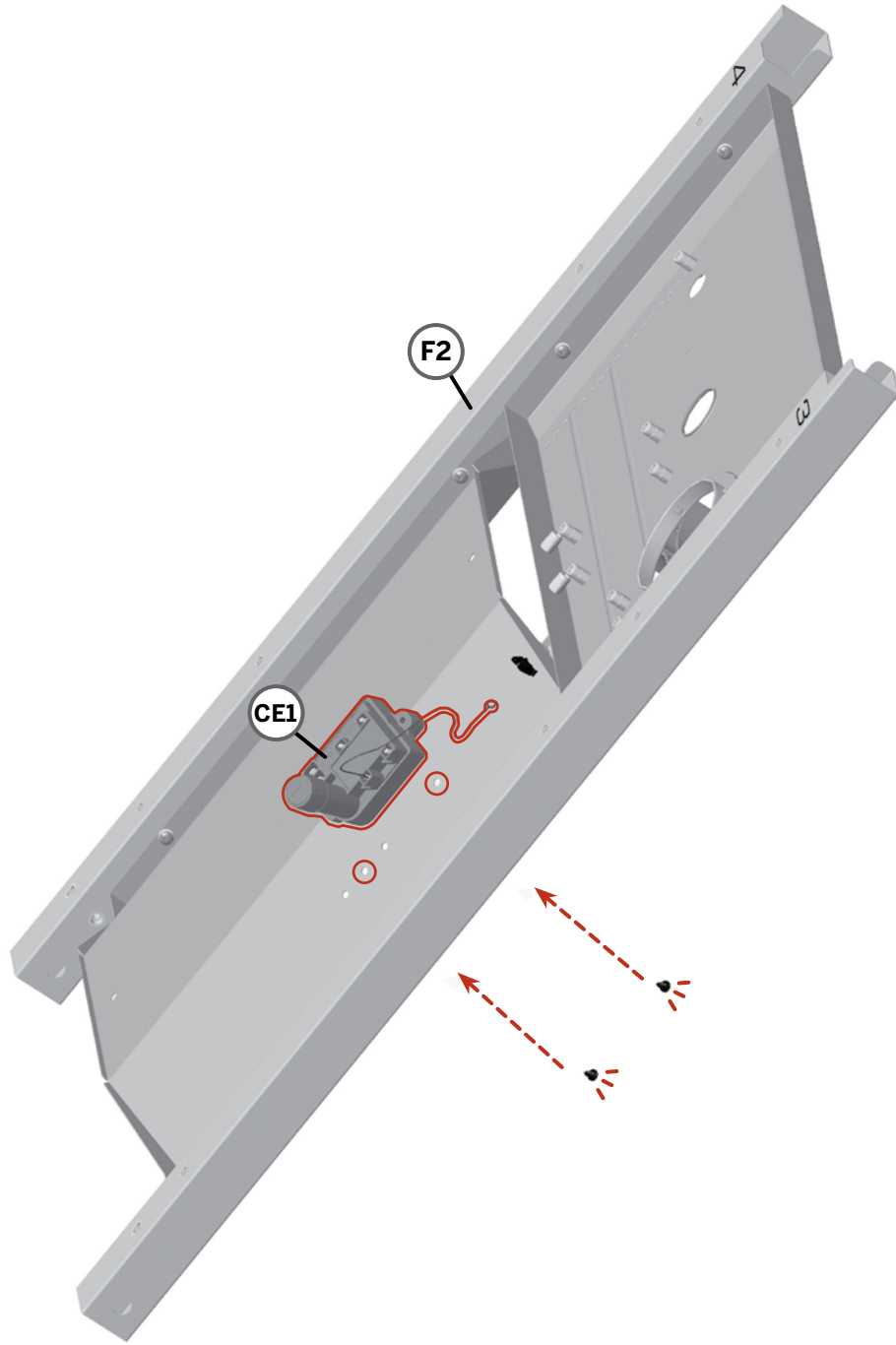
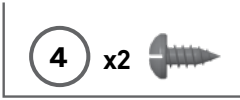
STEP 1C



BUILD IT

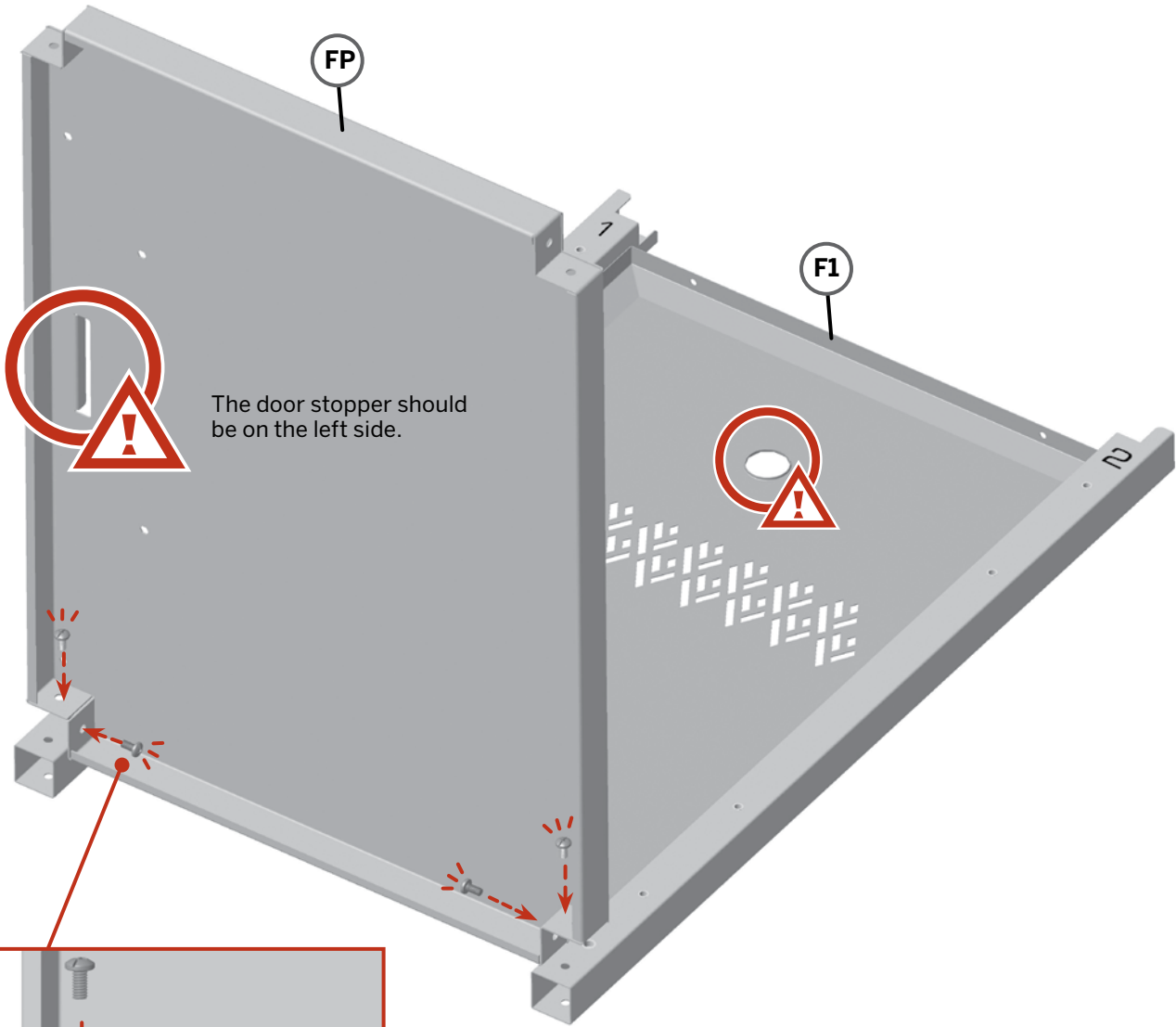
BUILD IT

STEP 1D

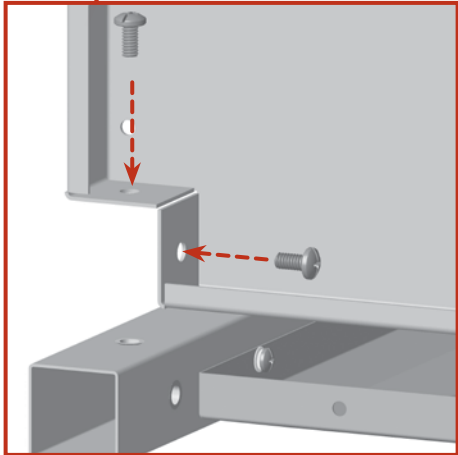


BUILD IT

STEP 2A

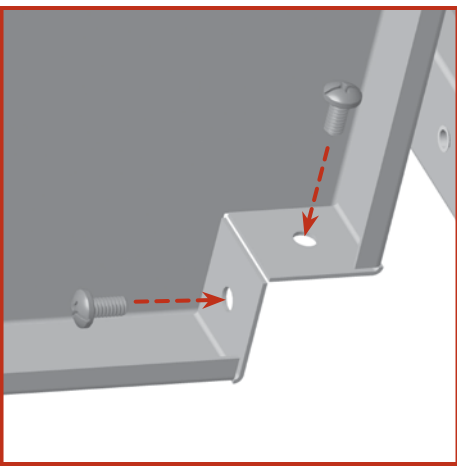
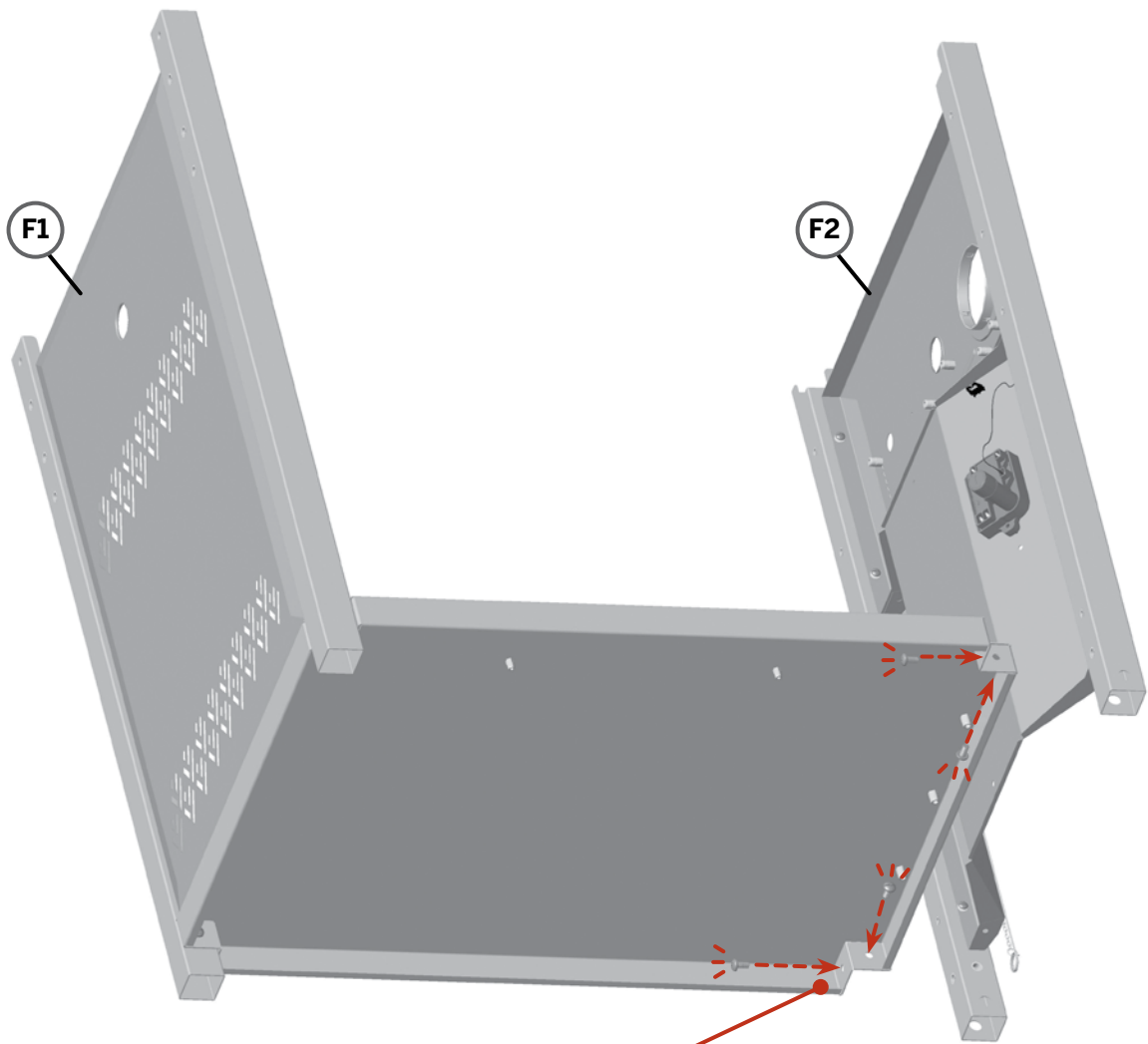


The door stopper should be on the left side.



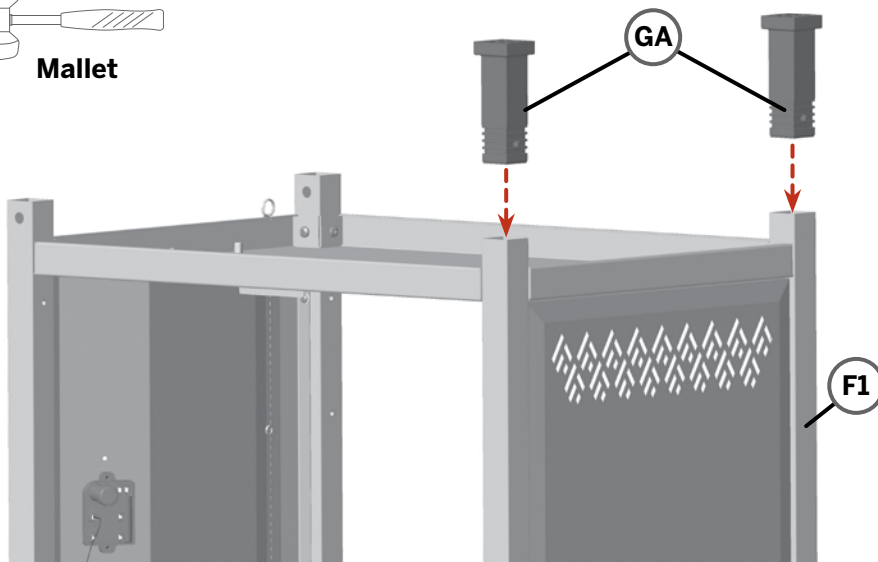
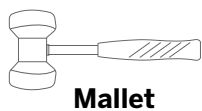
BUILD IT

STEP 2B

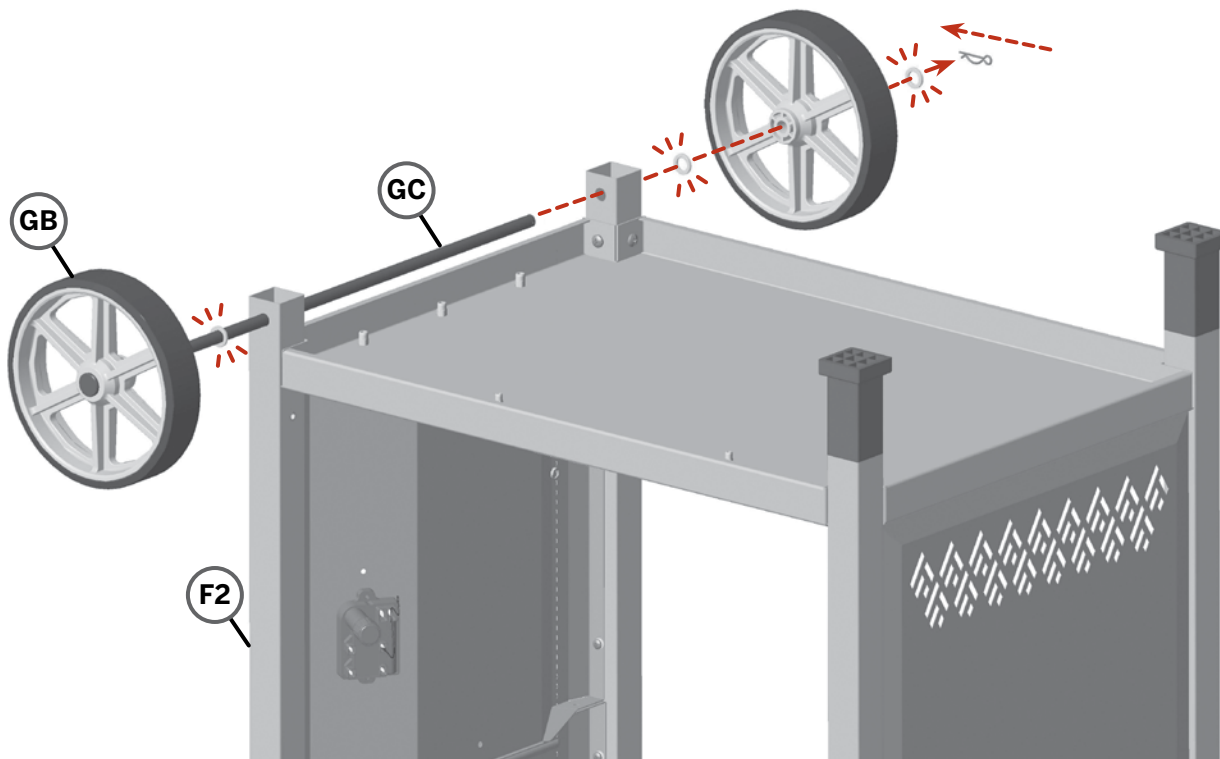


BUILD IT

STEP 3A



STEP 3B



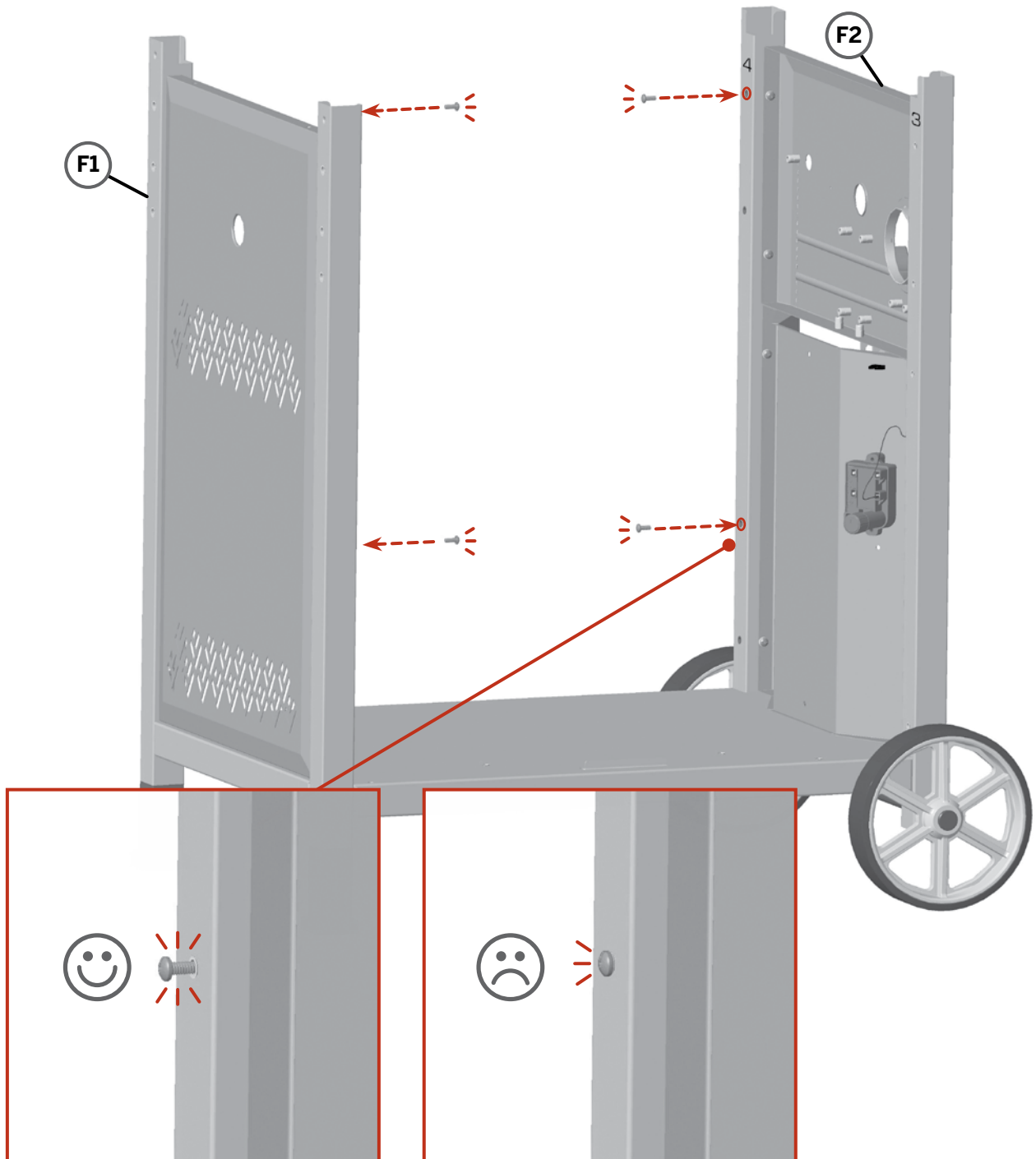
BUILD IT

STEP 4A



BACK PANEL ASSEMBLY

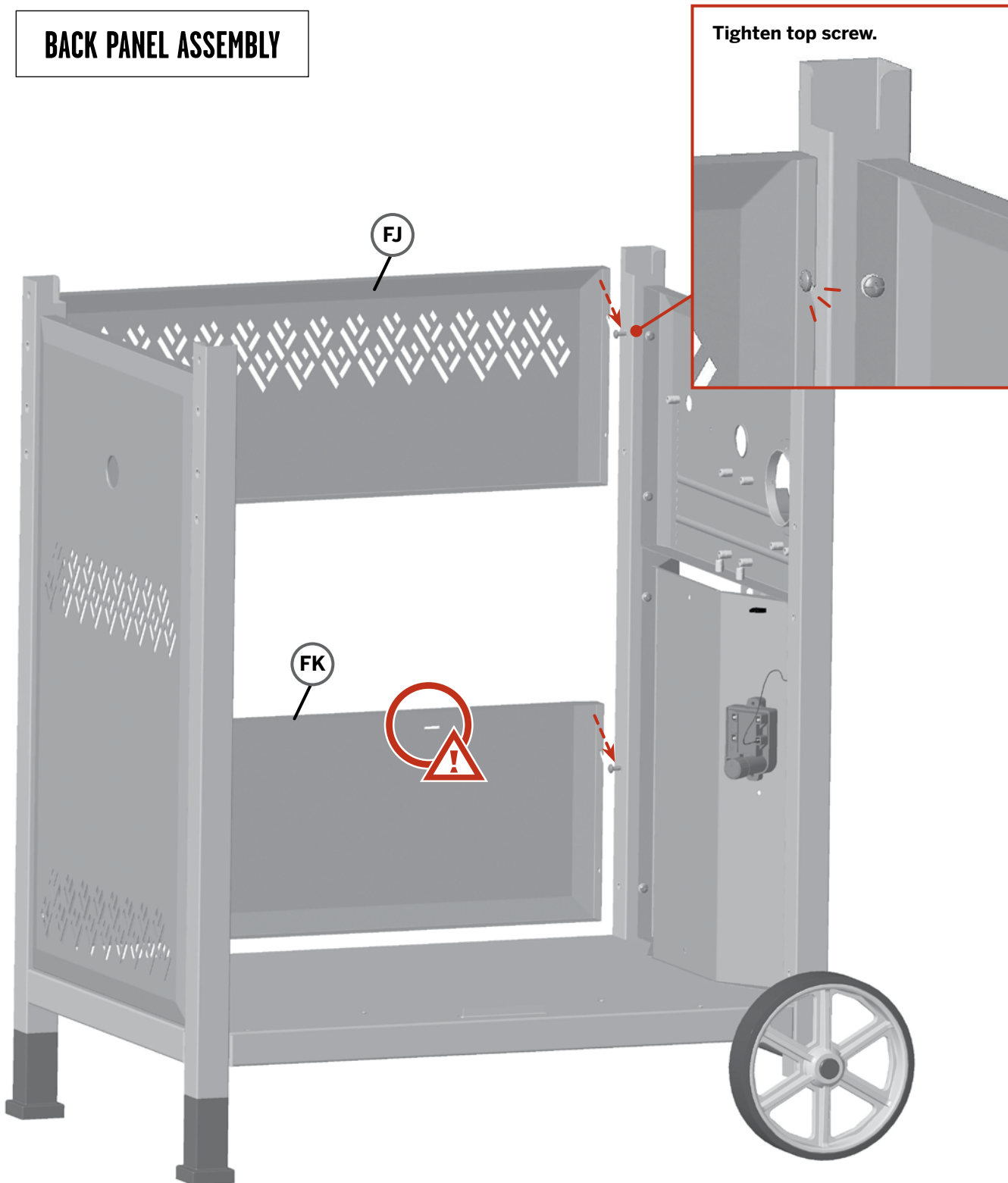
BUILD IT



BUILD IT

STEP 4B

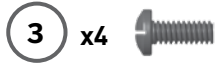
BACK PANEL ASSEMBLY



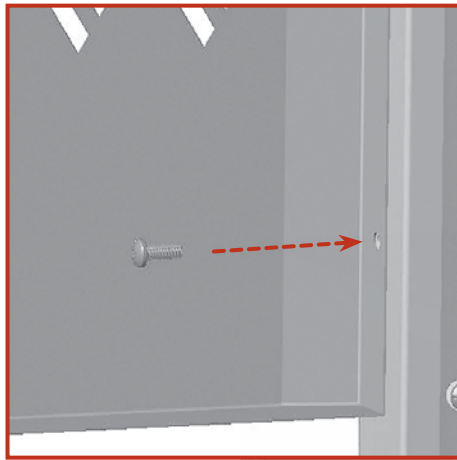
BUILD IT

BUILD IT

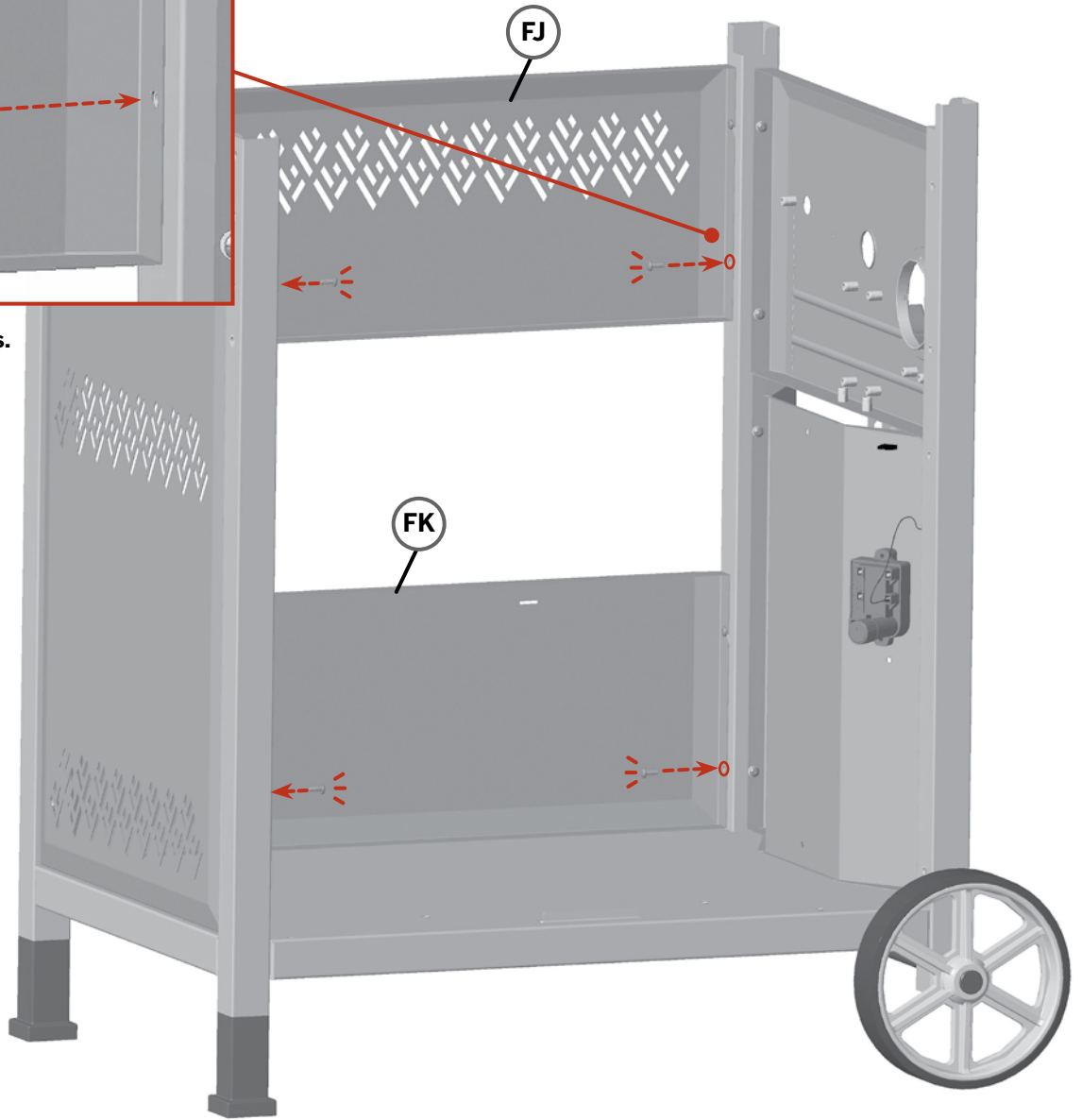
STEP 4C



BACK PANEL ASSEMBLY

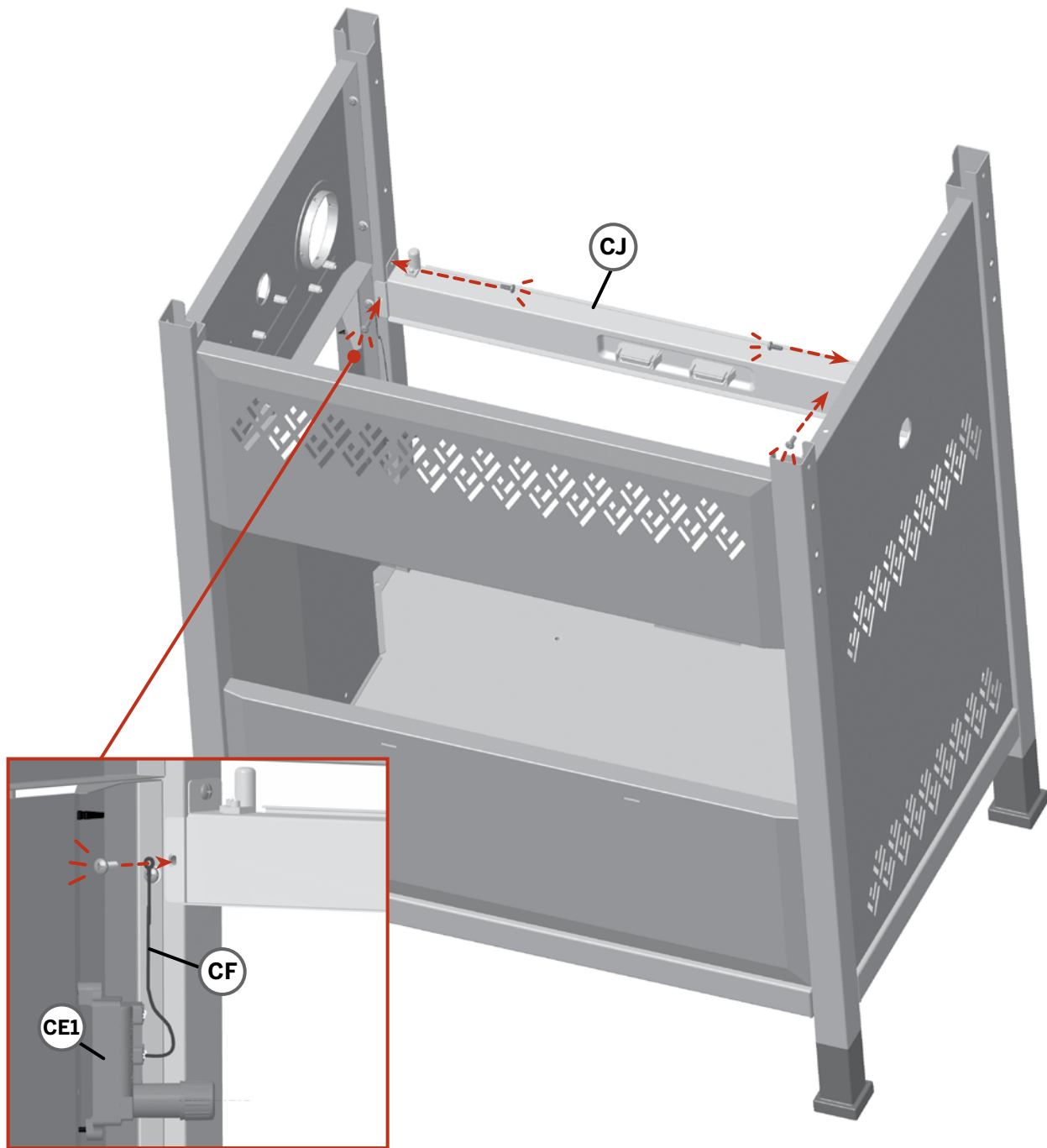


Tighten all screws.



BUILD IT

STEP 4D

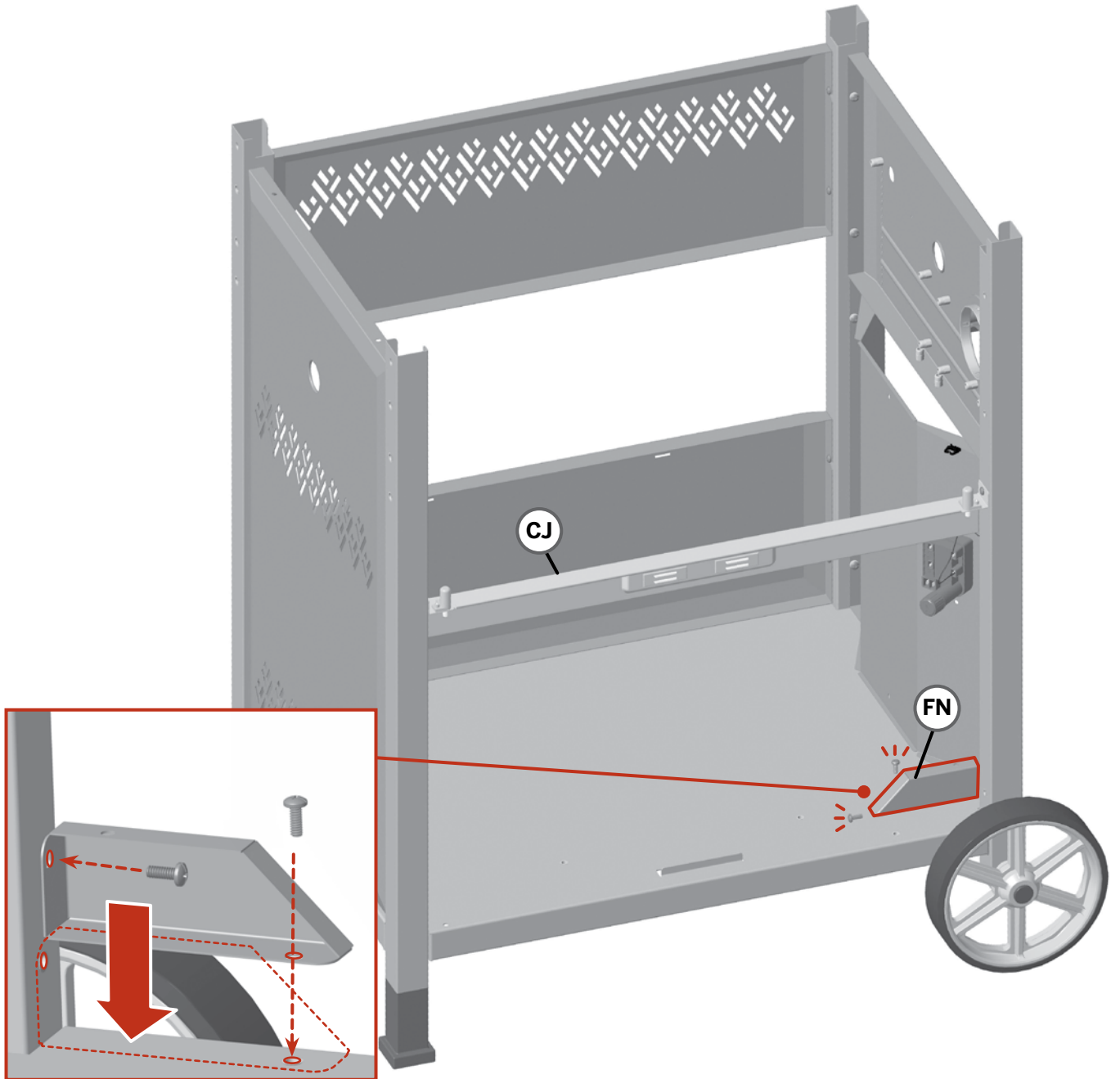


Assemble ground wire.

BUILD IT

BUILD IT

STEP 5



VIEW FROM INSIDE

BUILD IT

STEP 6A

PROPANE CUSTOMERS PROCEED TO STEP 6B

FOR NATURAL GAS CONVERSION CUSTOMERS ONLY

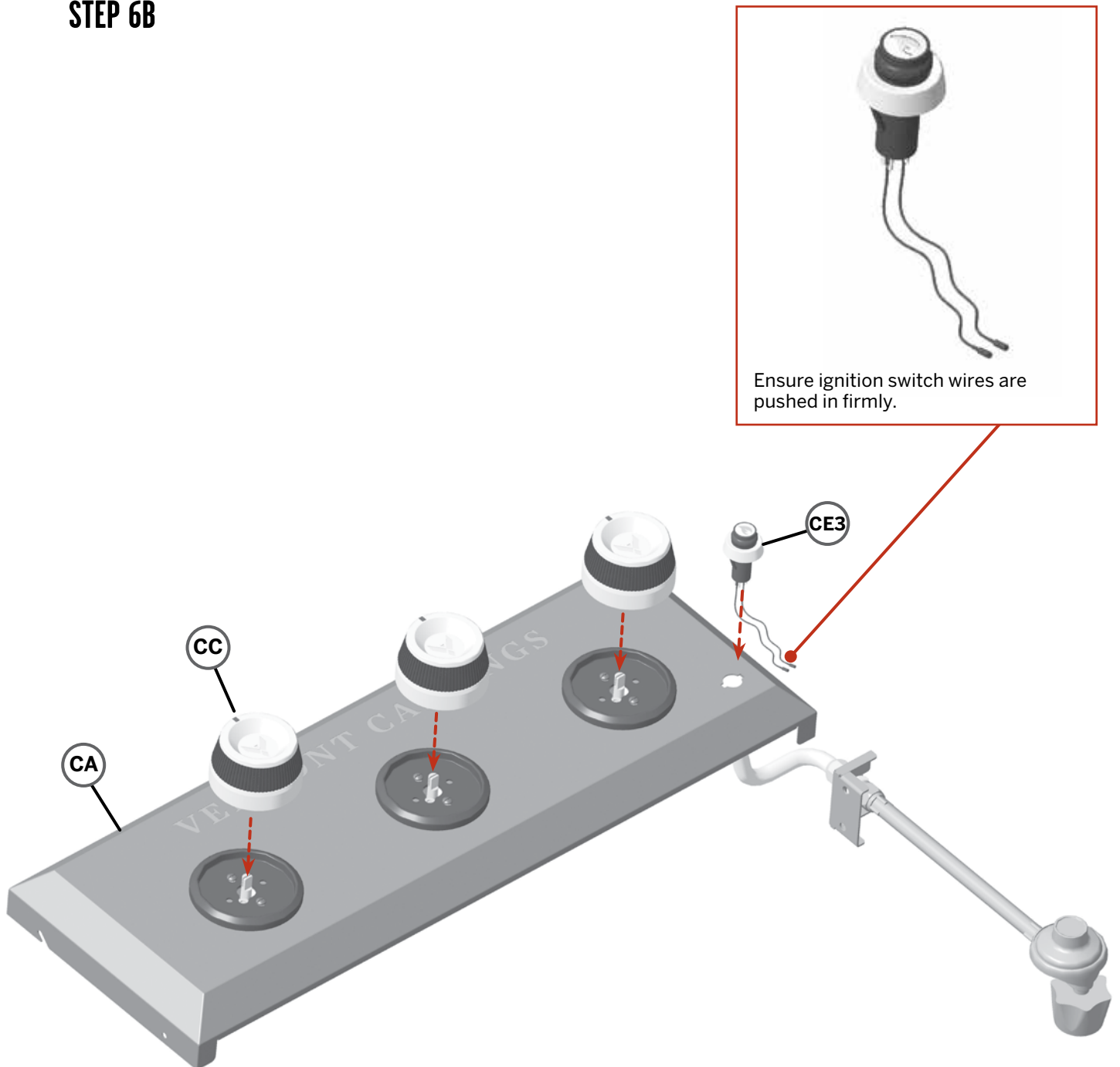
You will need a **Convertible Valve System Kit (Model 085-2261-4)** in this step.



BUILD IT

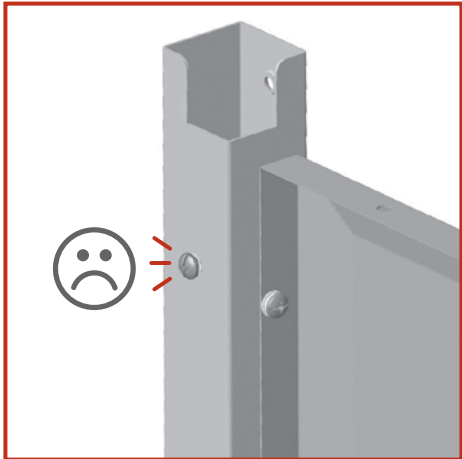
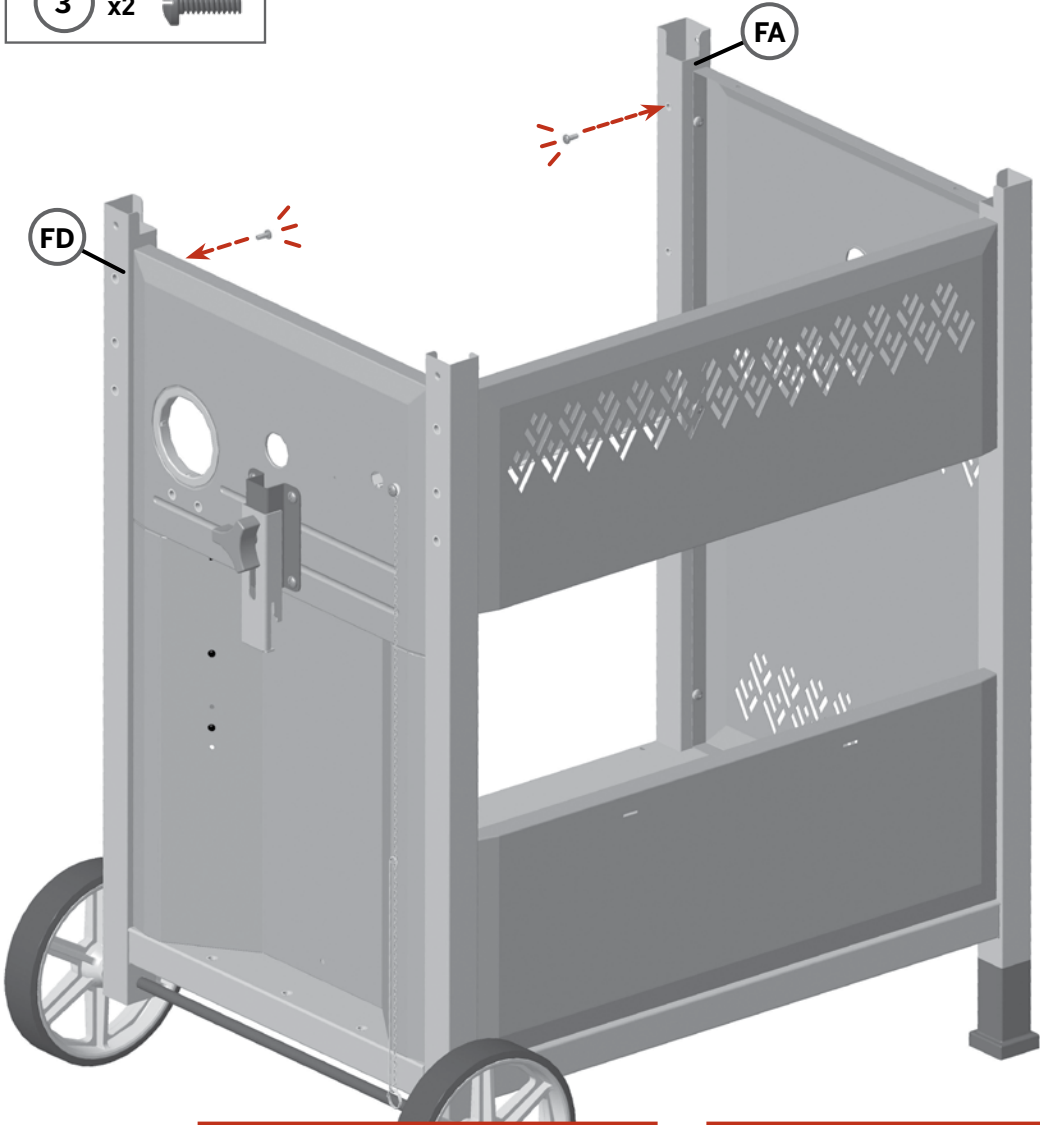
STEP 6B

BUILD IT



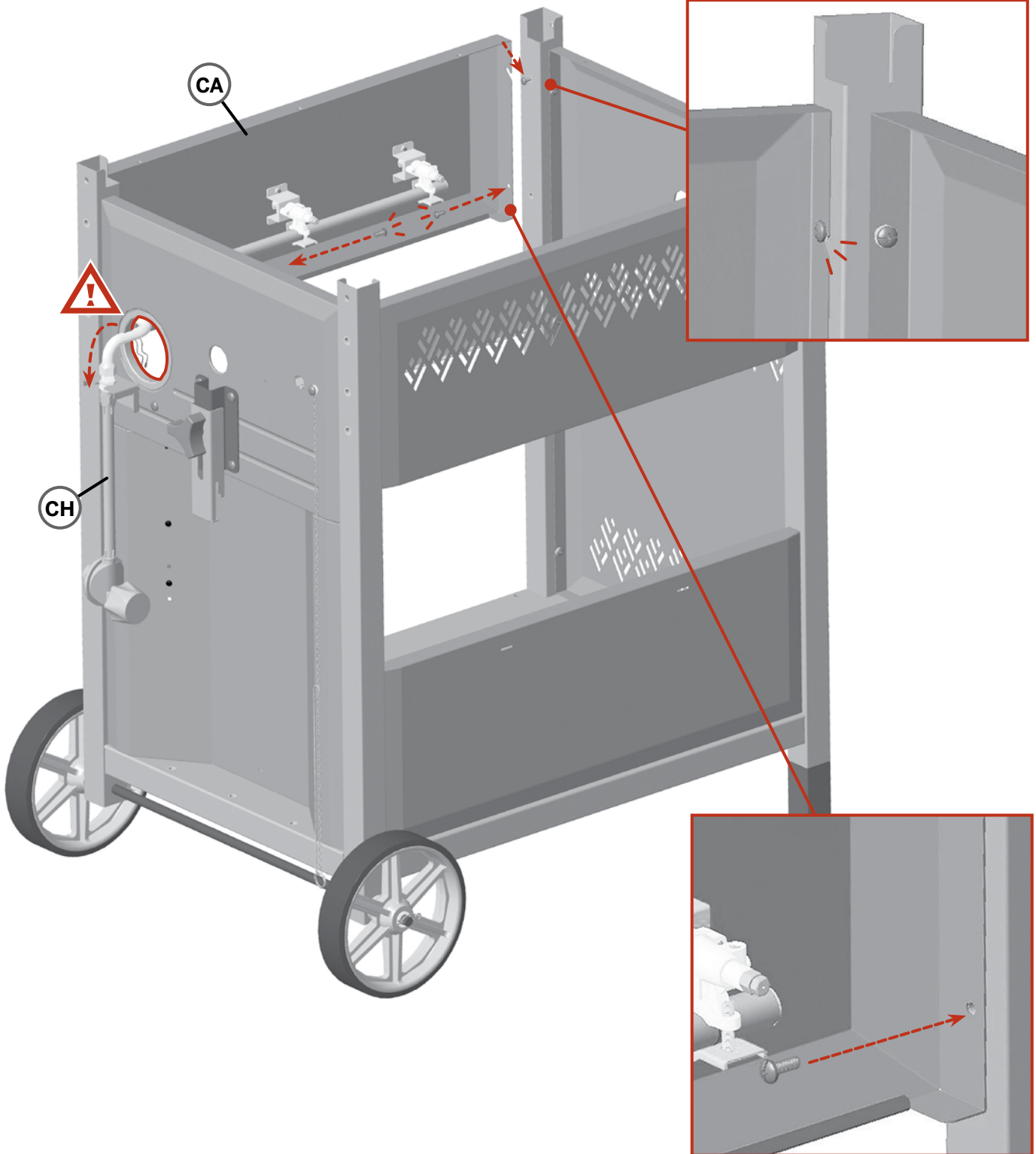
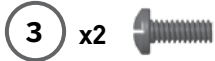
BUILD IT

STEP 6C



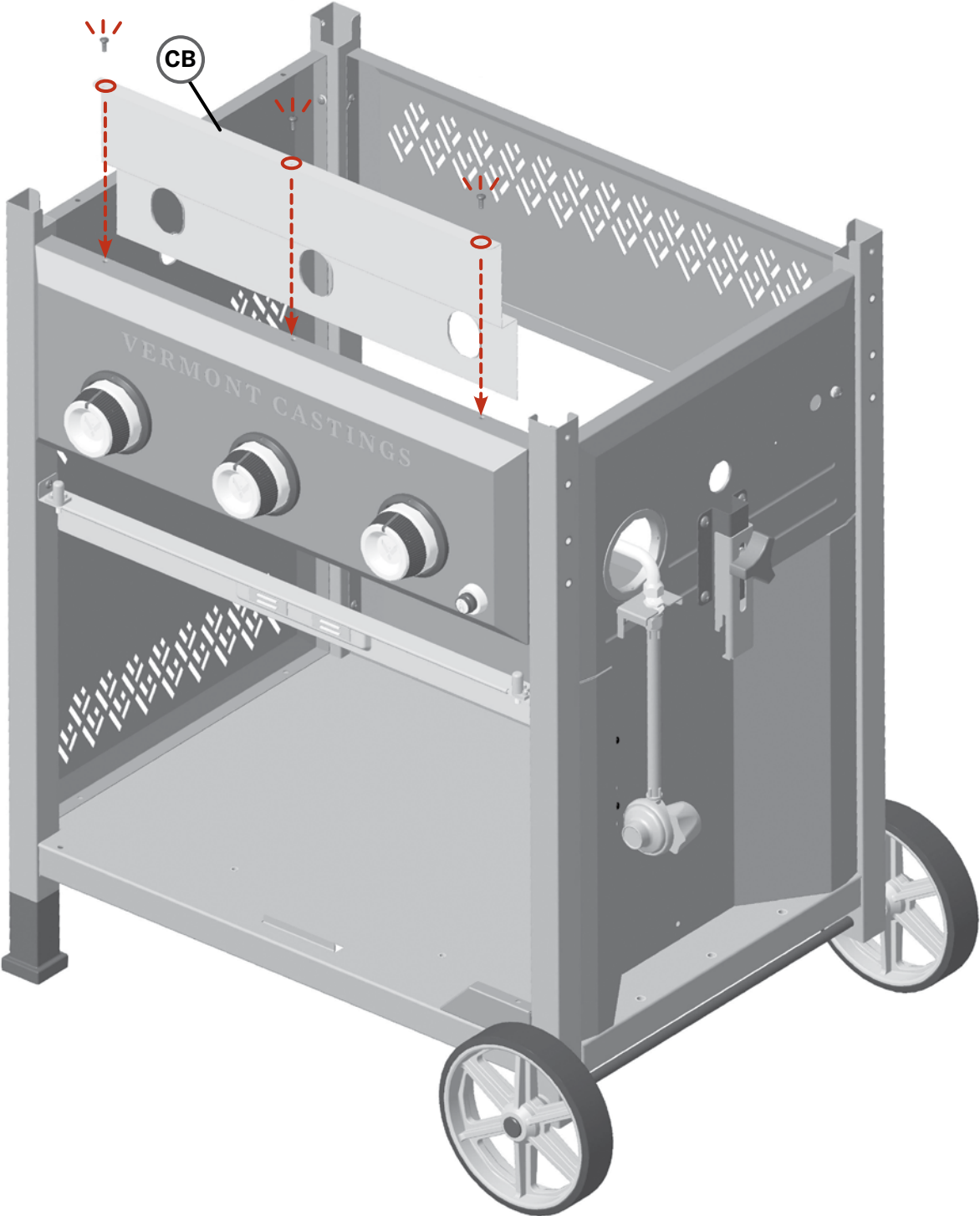
BUILD IT

STEP 6D



BUILD IT

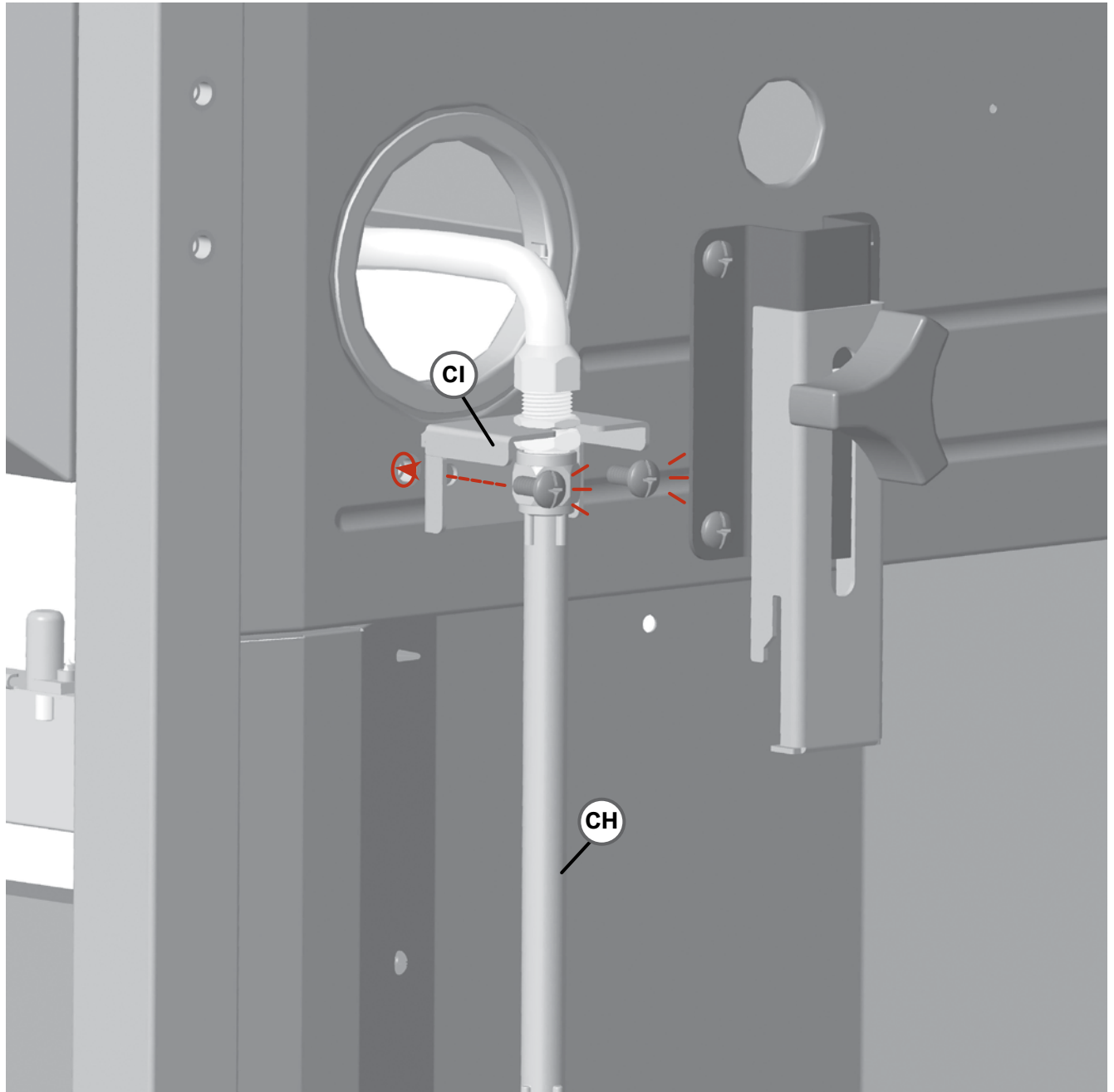
STEP 6E



BUILD IT

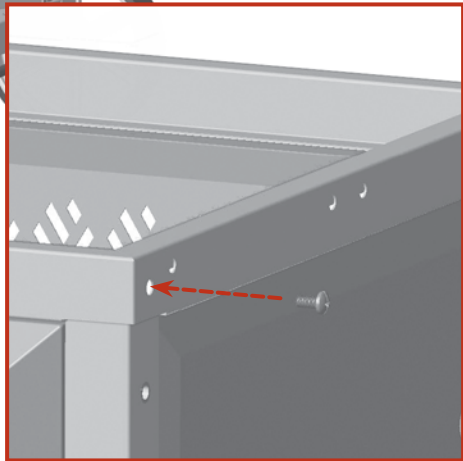
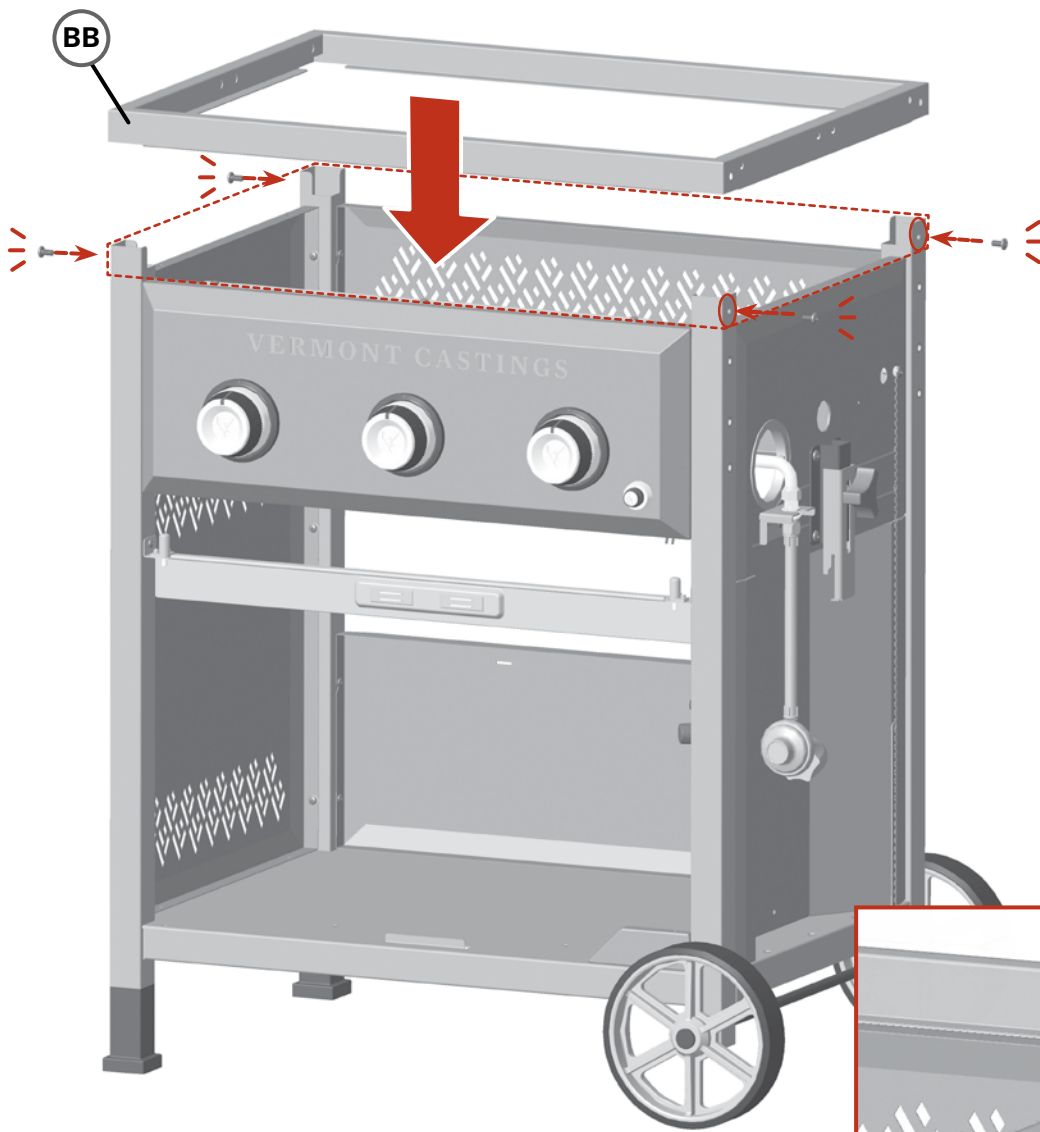
BUILD IT

STEP 7




BUILD IT

STEP 8

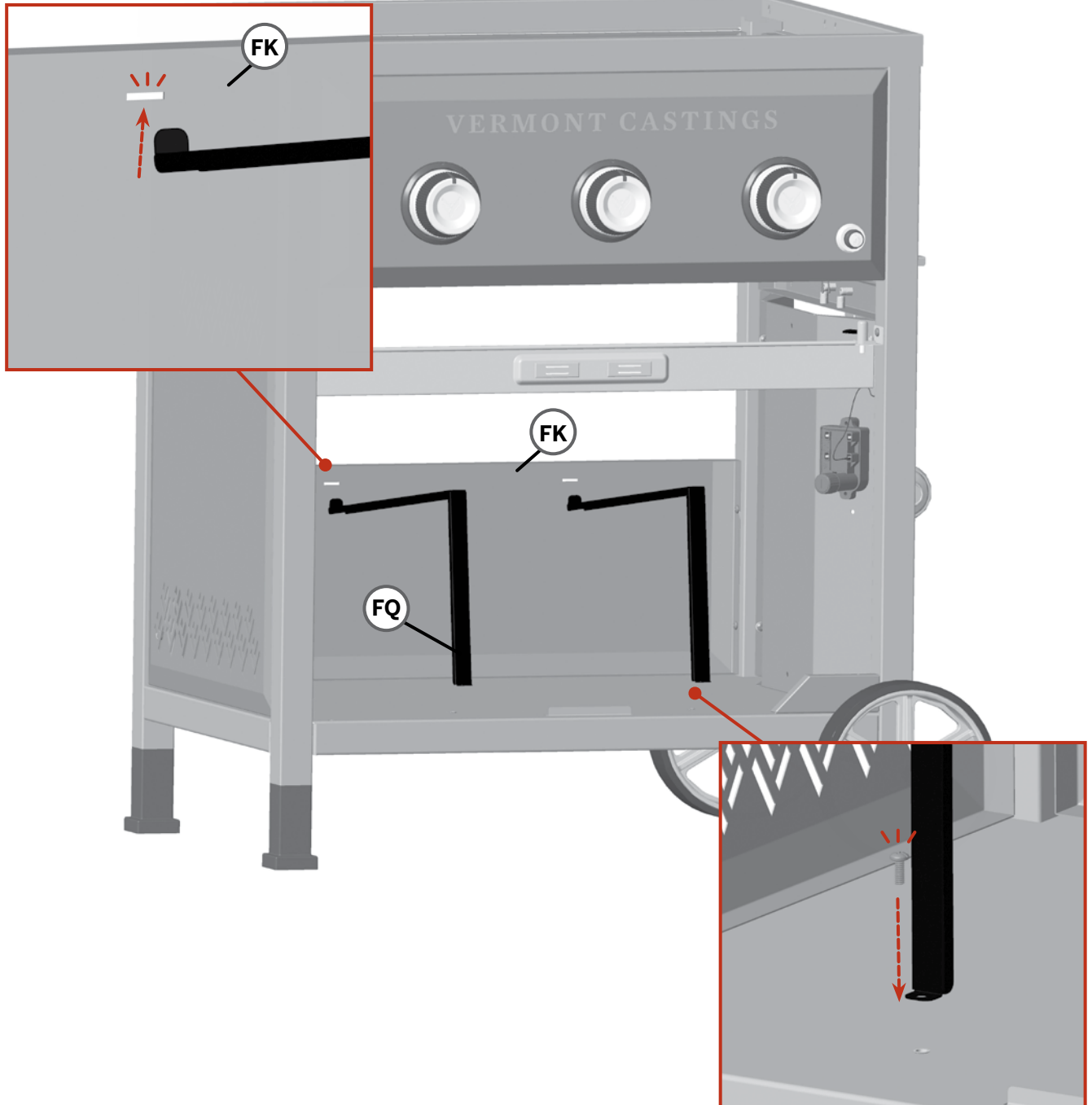


BUILD IT

STEP 9

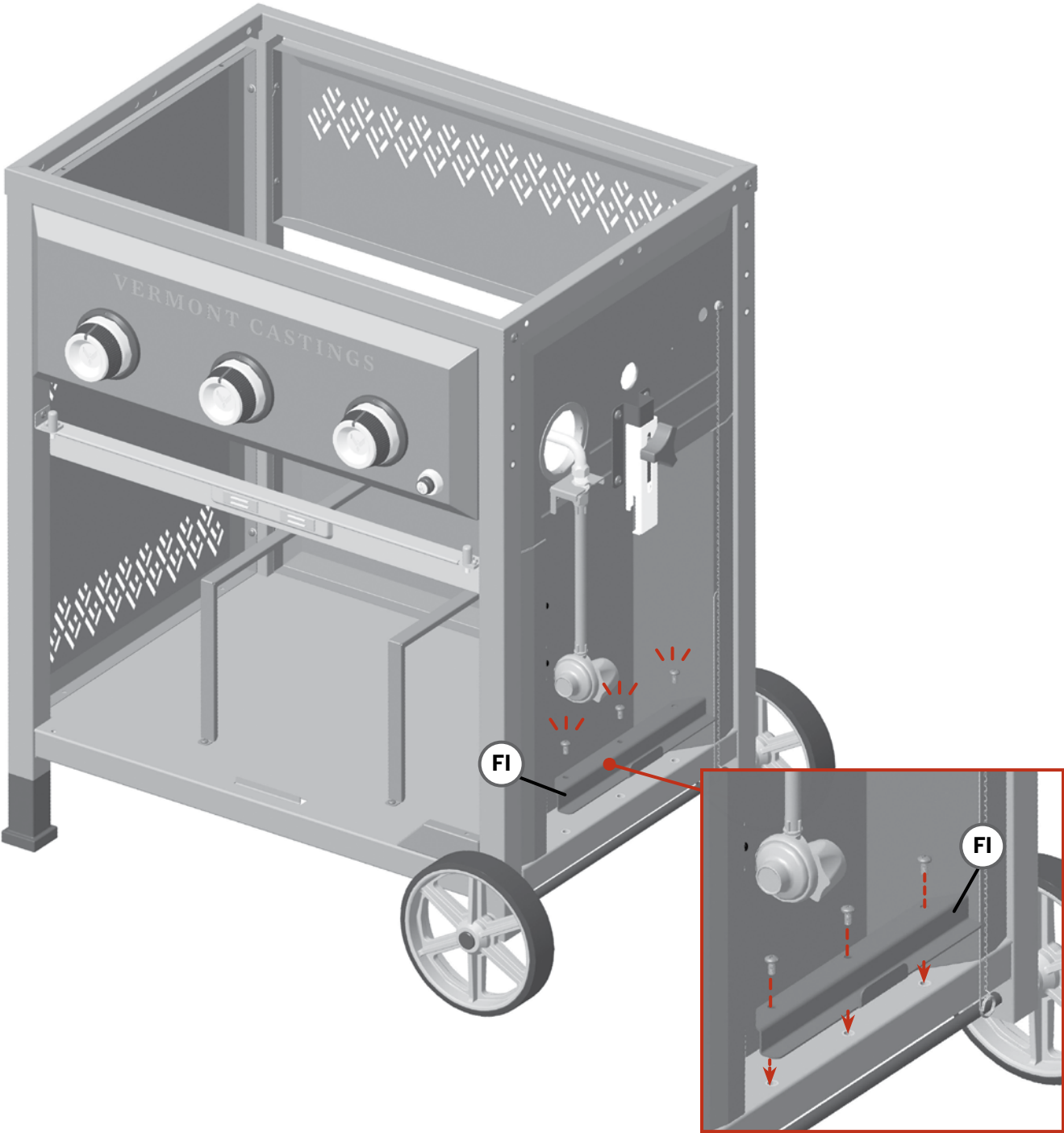
3 x2 

Bend brace upward to enter locator hole in lower back panel



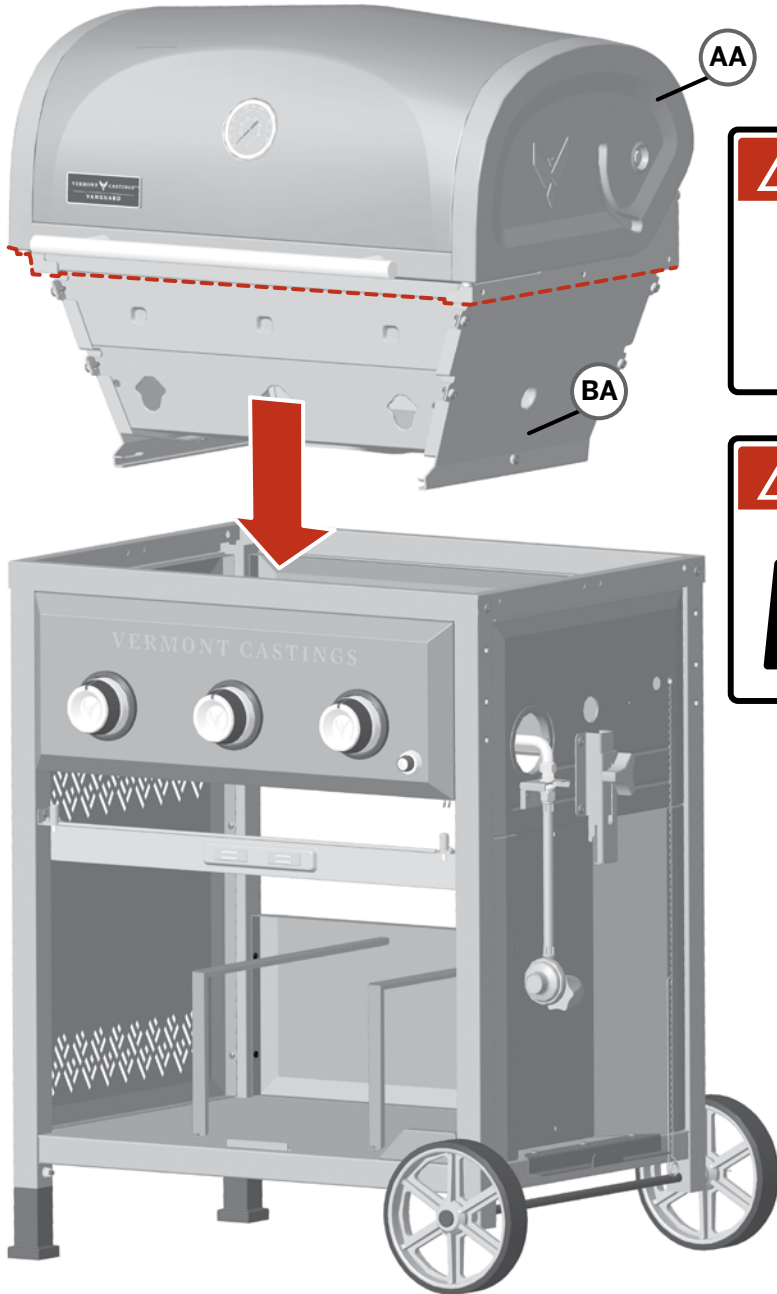
BUILD IT

STEP 10



BUILD IT

STEP 11



SAFETY FIRST



WATCH YOUR HANDS AND FINGERS

DANGER

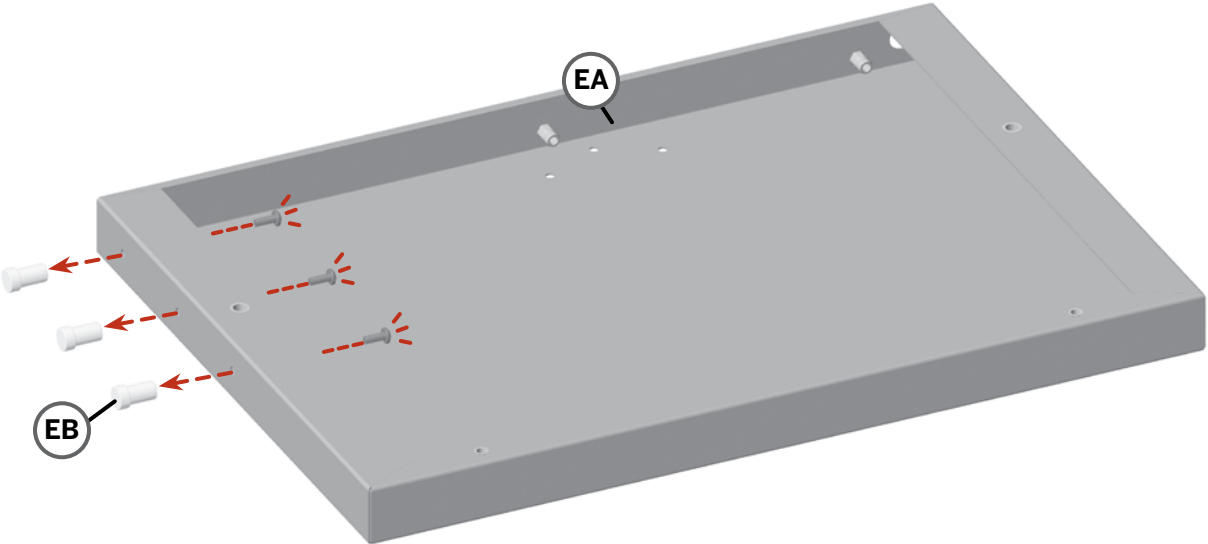


**26 KG
57 LBS**

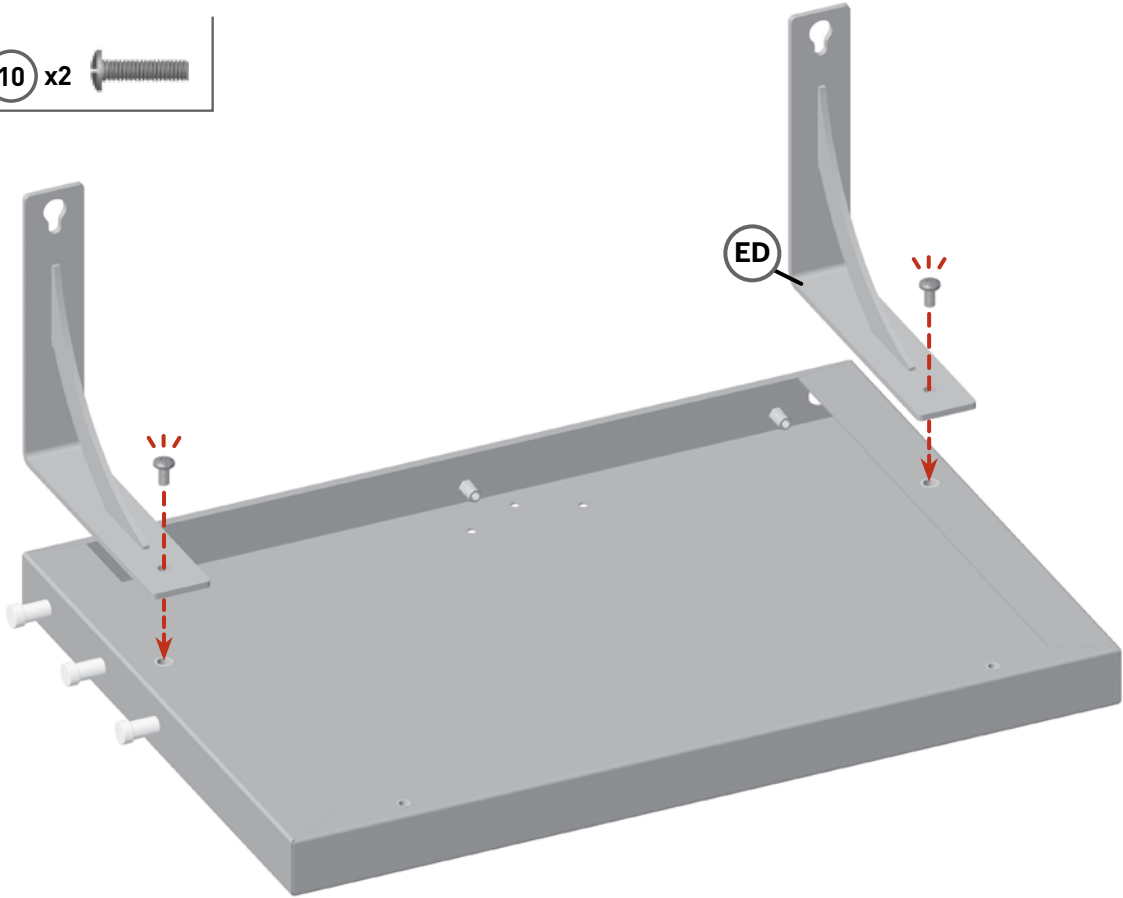
**HEAVY.
LIFT WITH
CARE**

BUILD IT

STEP 12A



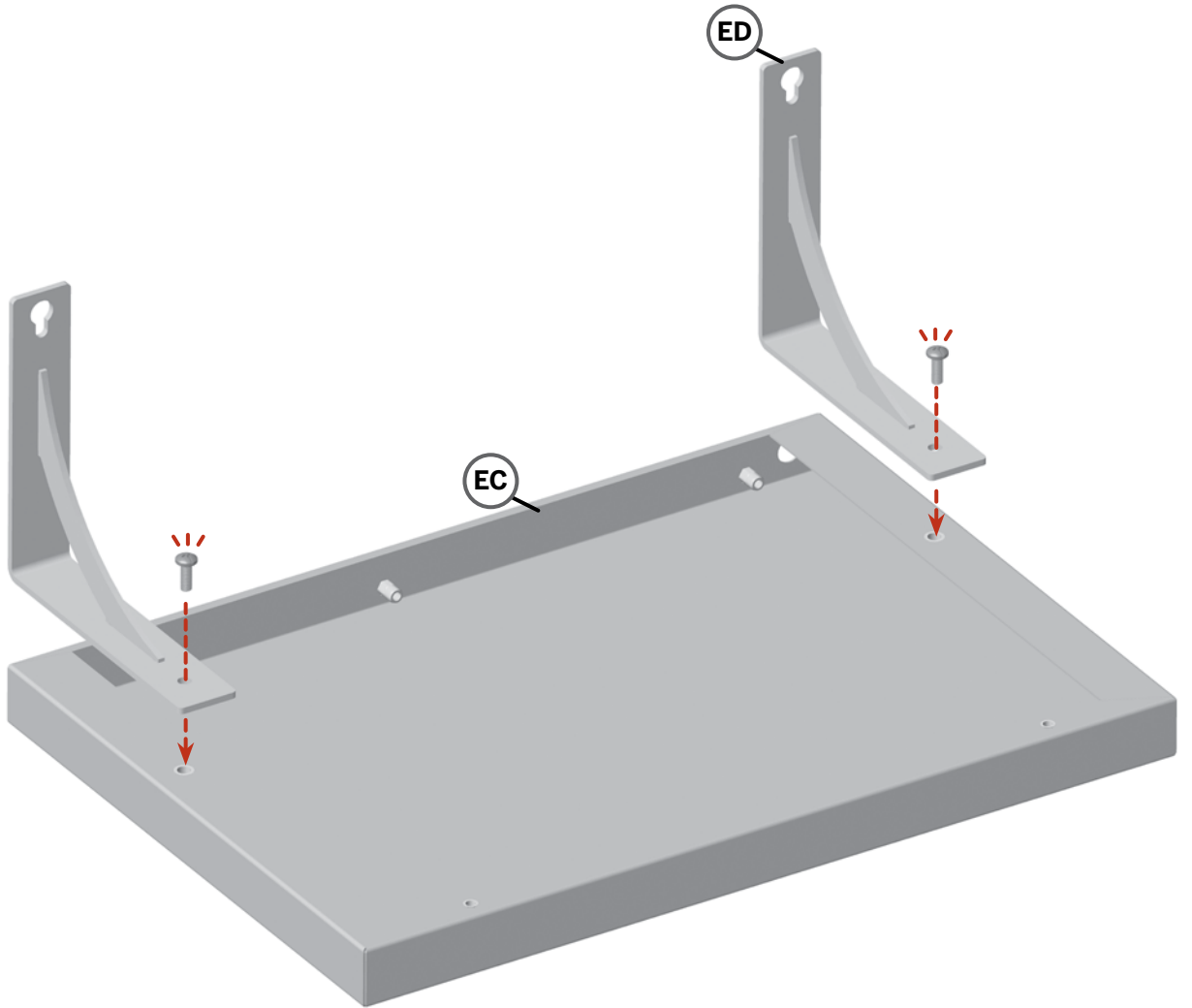
STEP 12B



BUILD IT

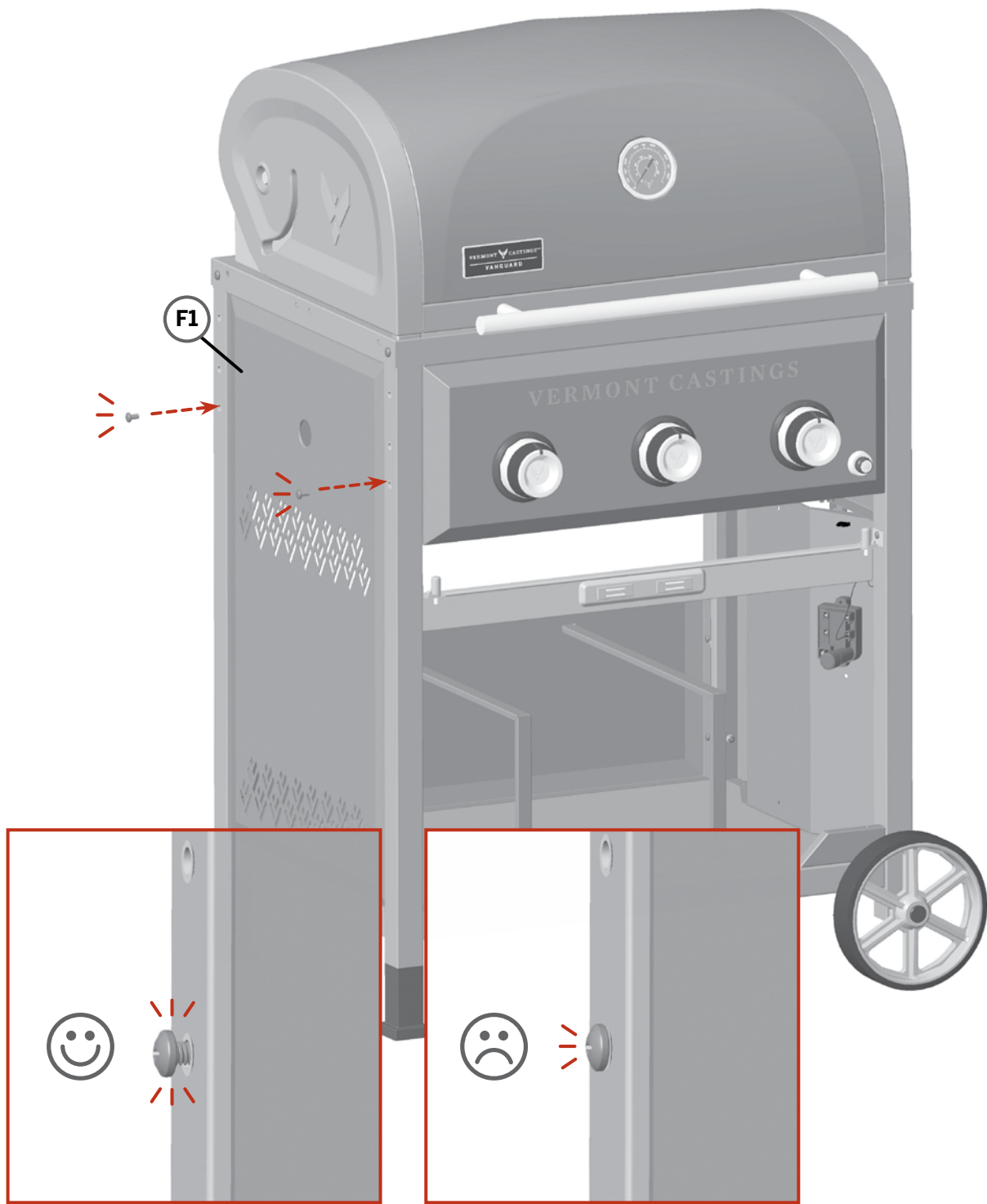
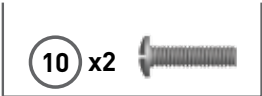
BUILD IT

STEP 12C



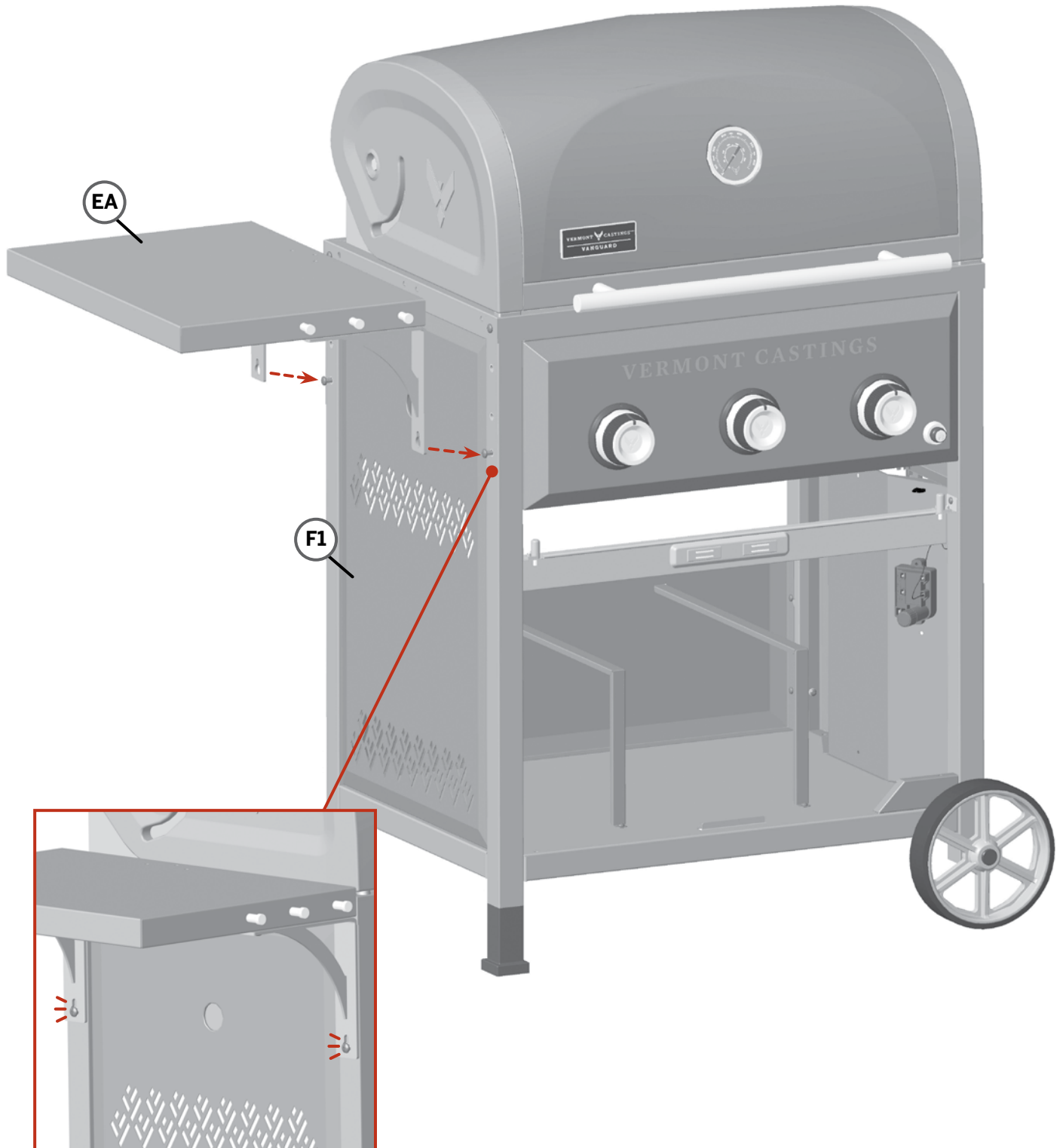
BUILD IT

STEP 13A



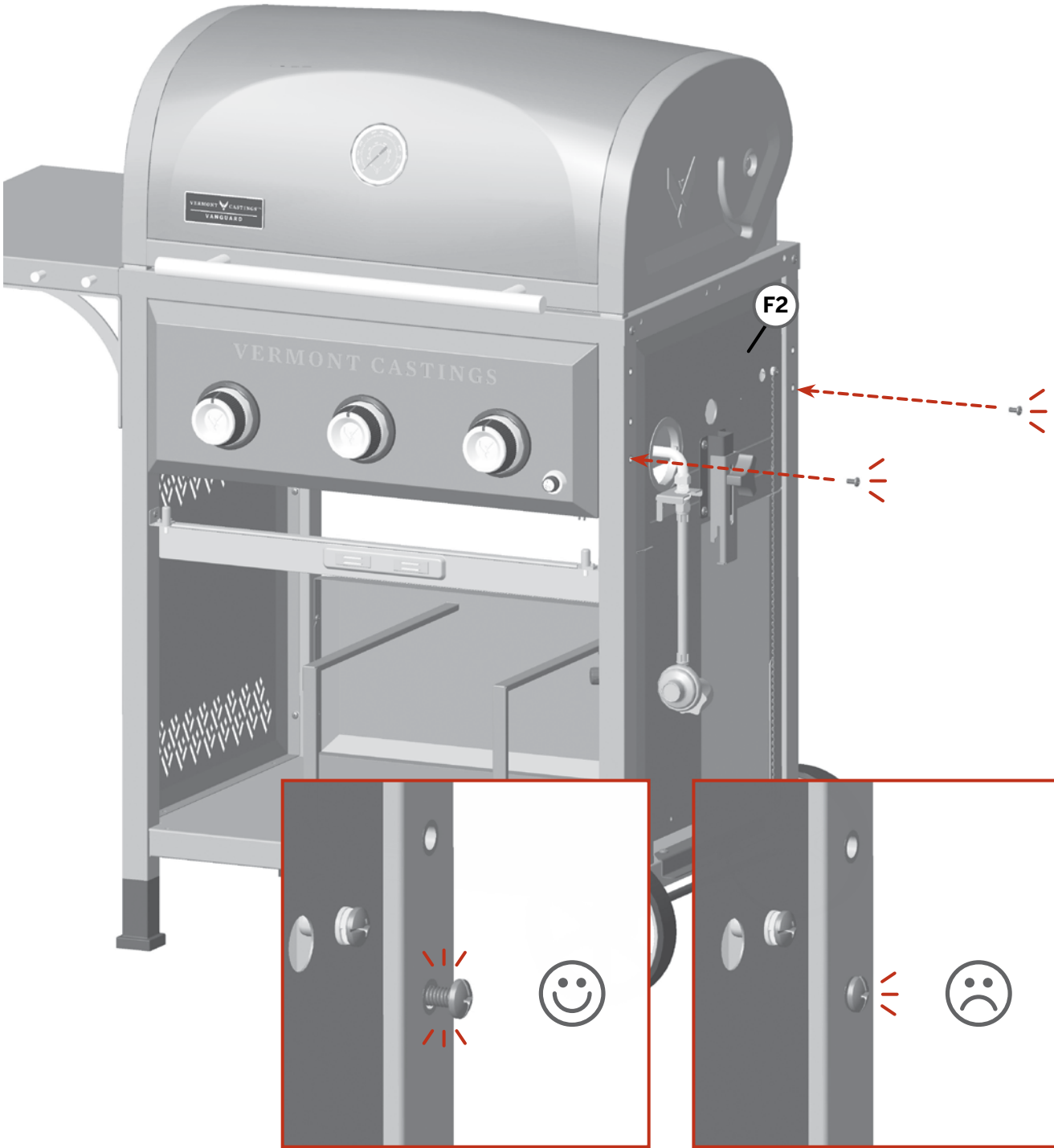
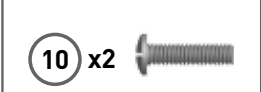
BUILD IT

STEP 13B



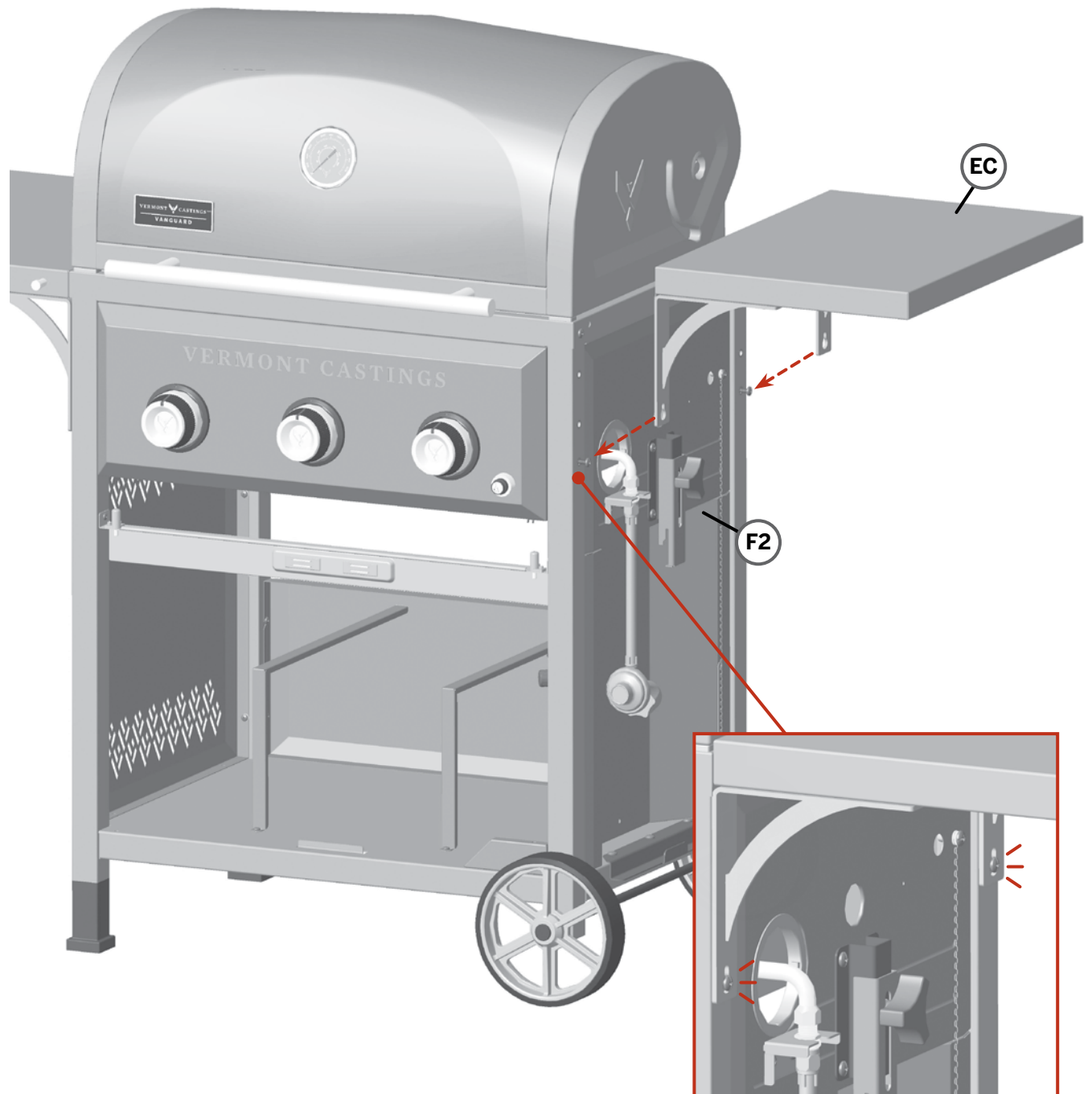
BUILD IT

STEP 13C



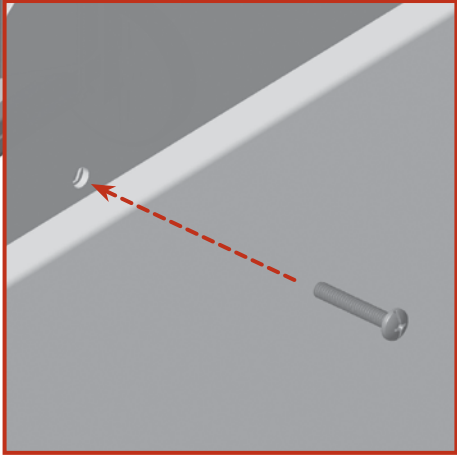
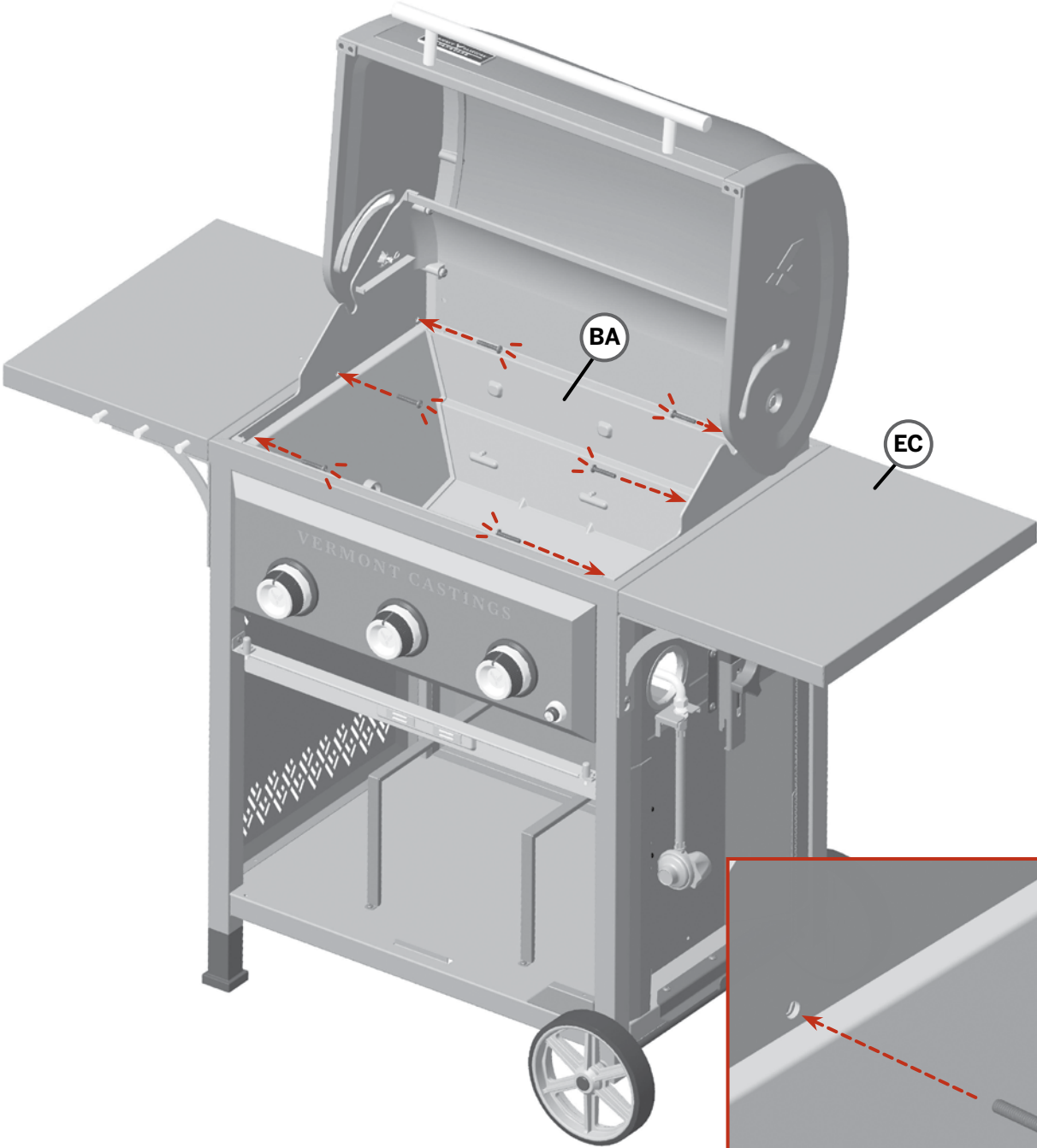
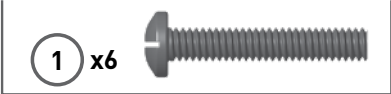
BUILD IT

STEP 13D



BUILD IT

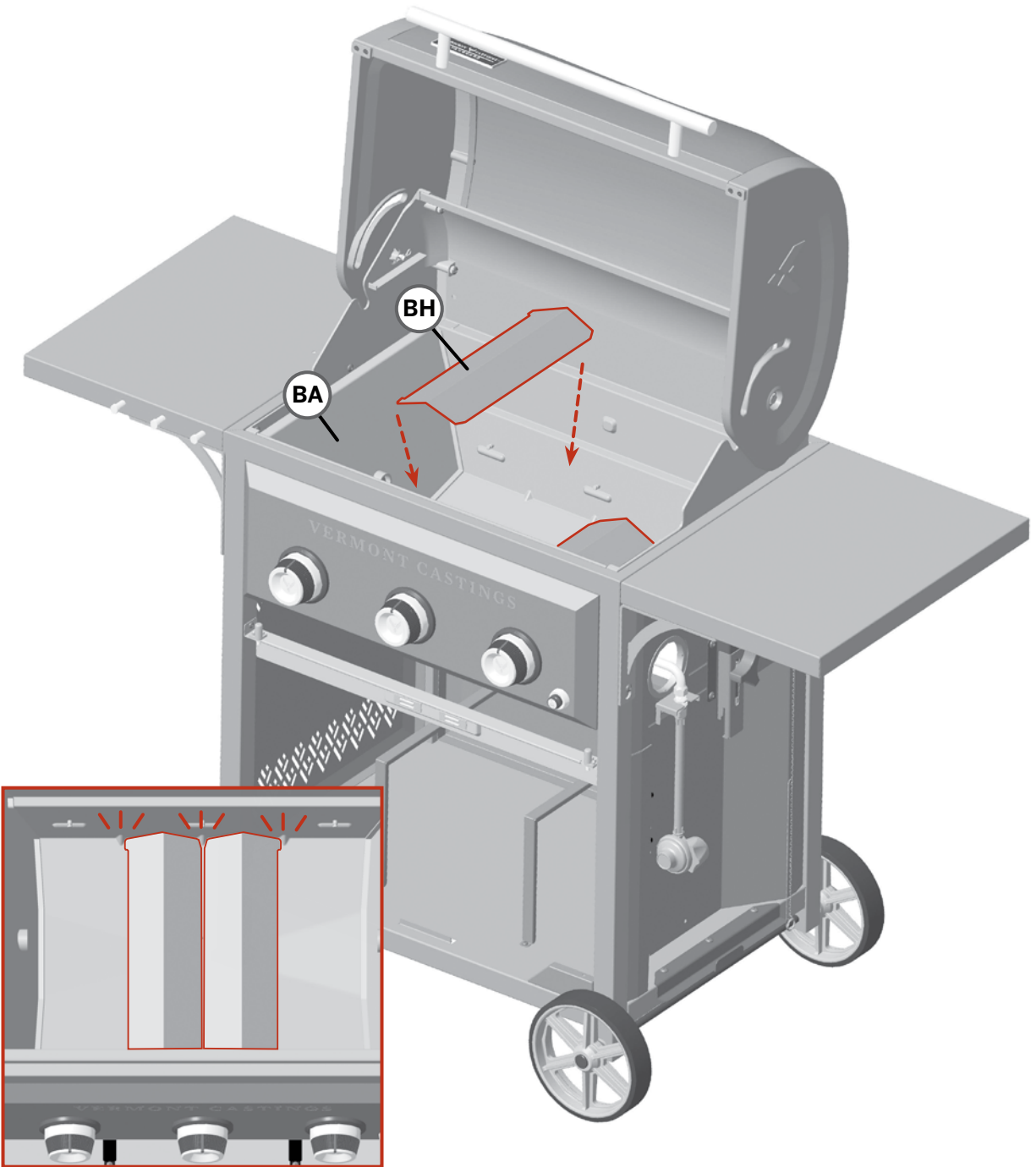
STEP 14



BUILD IT

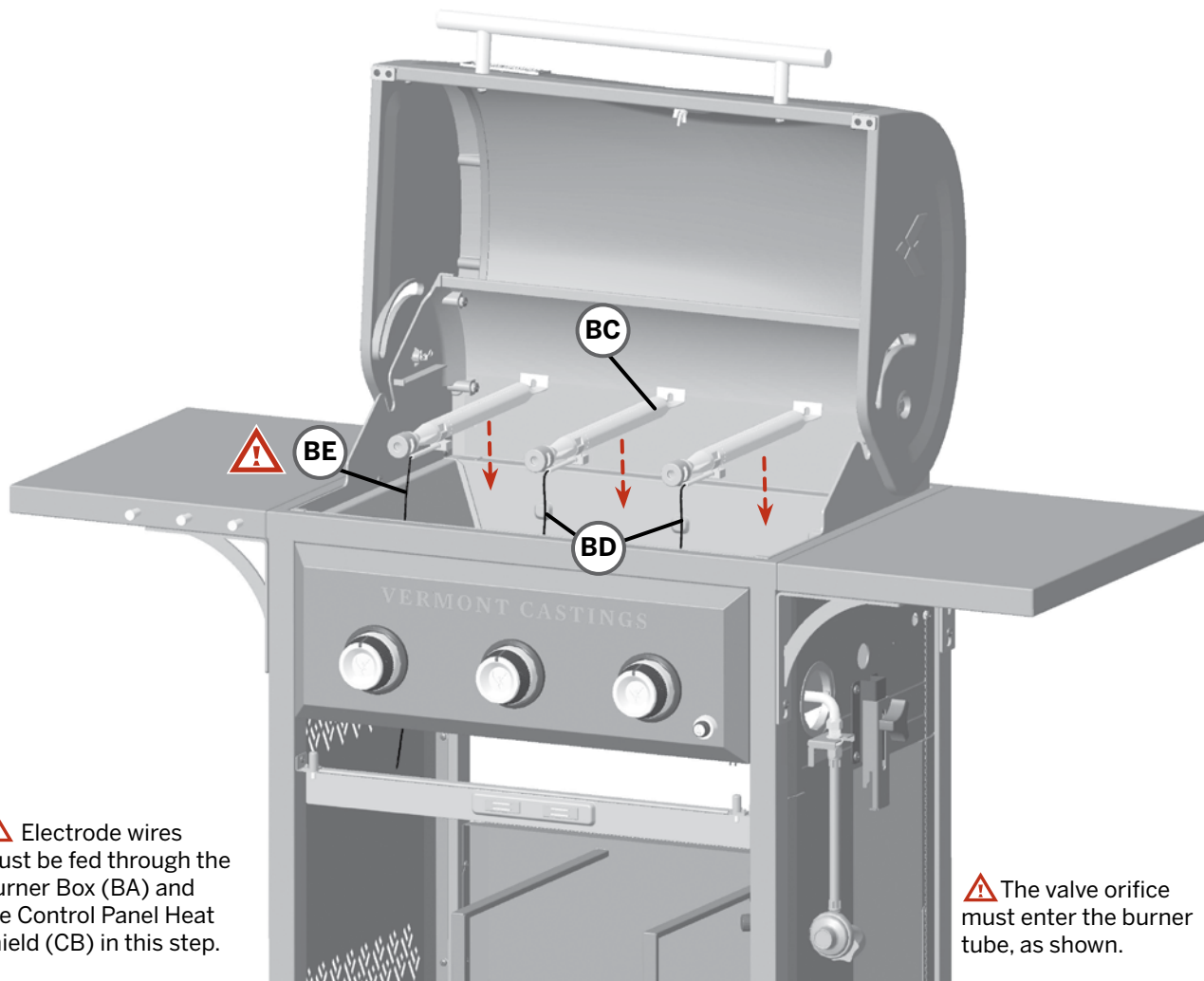
BUILD IT

STEP 15



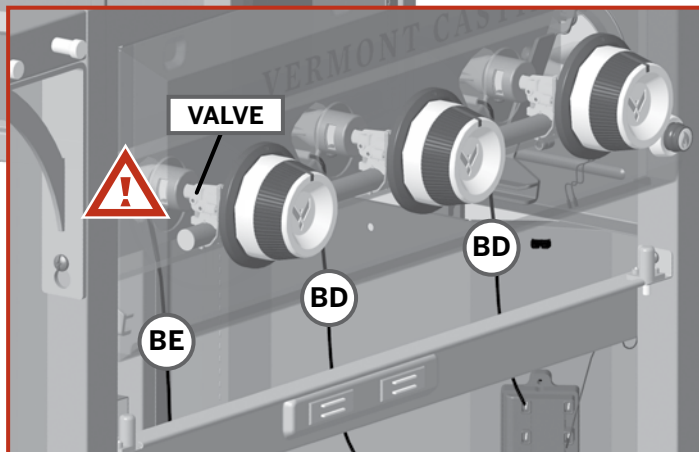
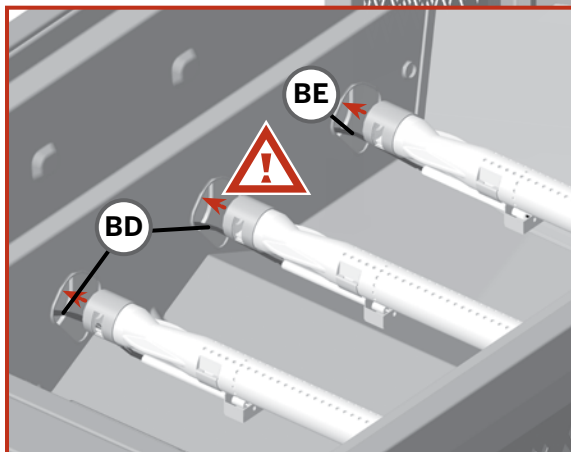
BUILD IT

STEP 16A



⚠ Electrode wires must be fed through the Burner Box (BA) and the Control Panel Heat shield (CB) in this step.

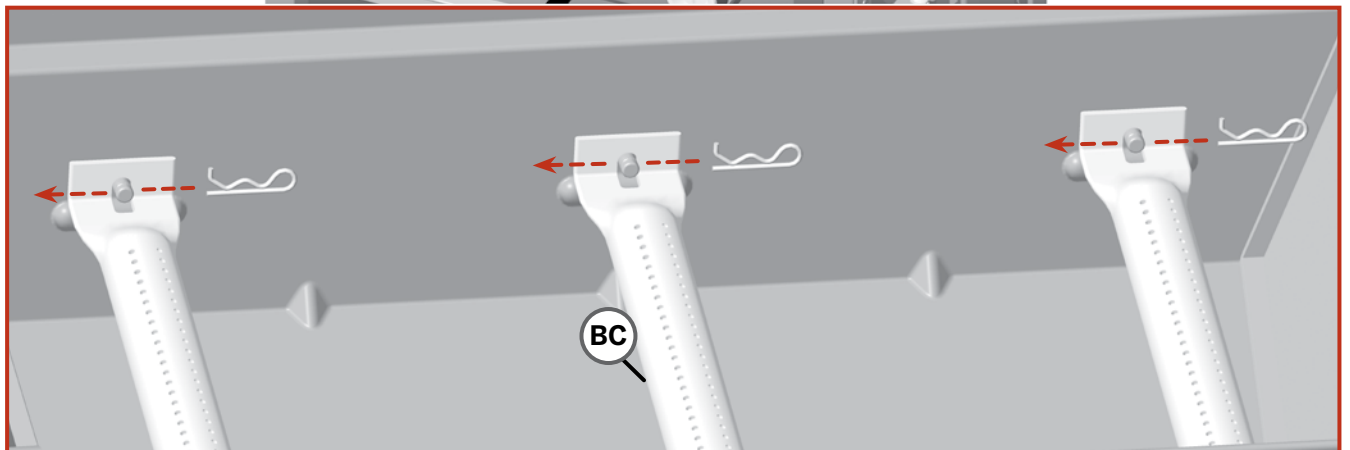
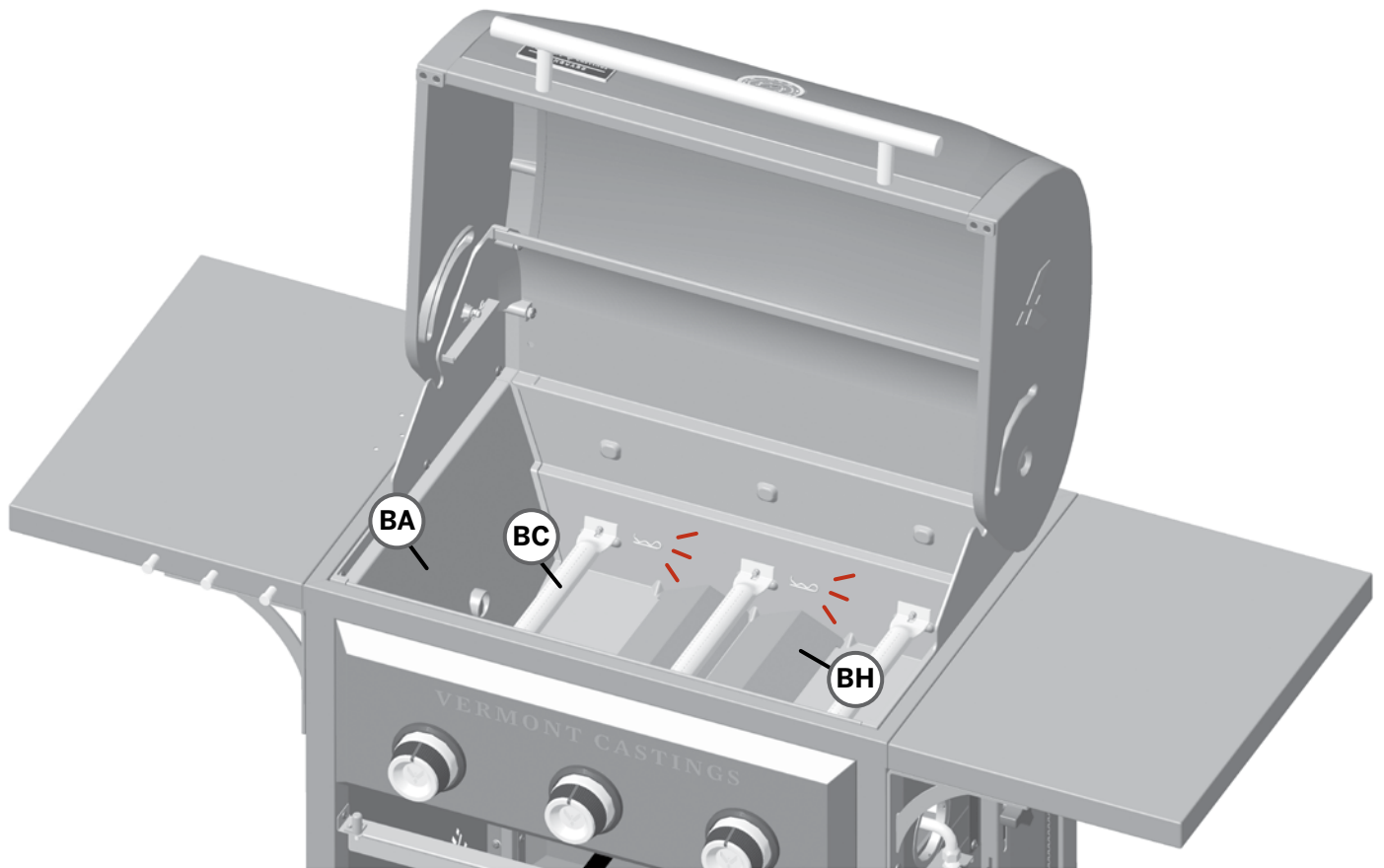
⚠ The valve orifice must enter the burner tube, as shown.



BUILD IT

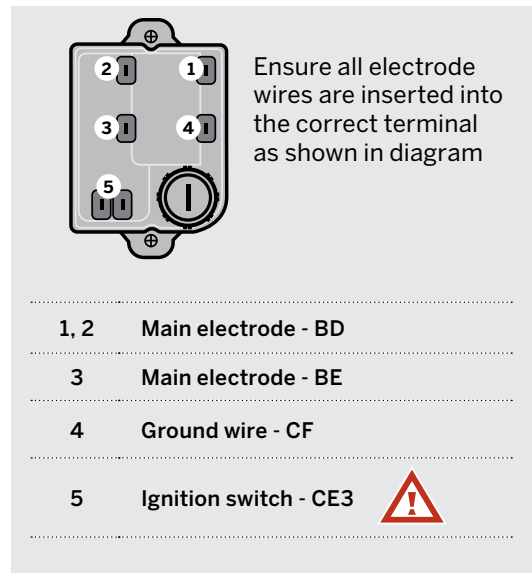
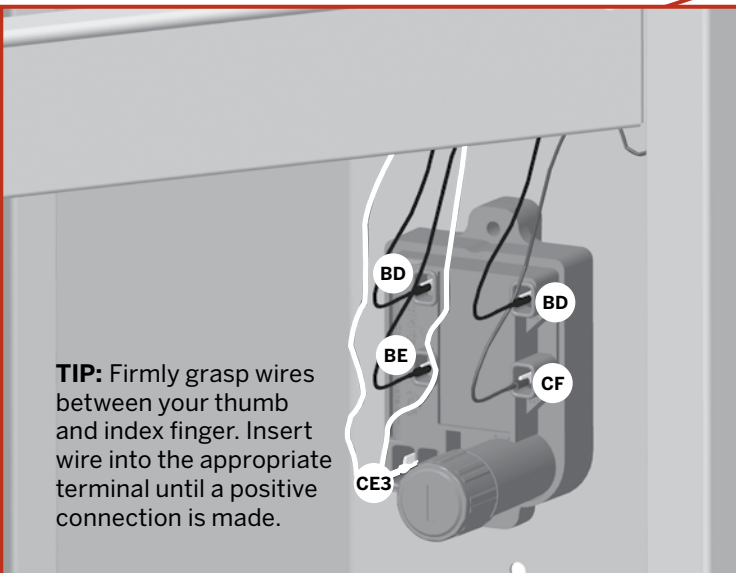
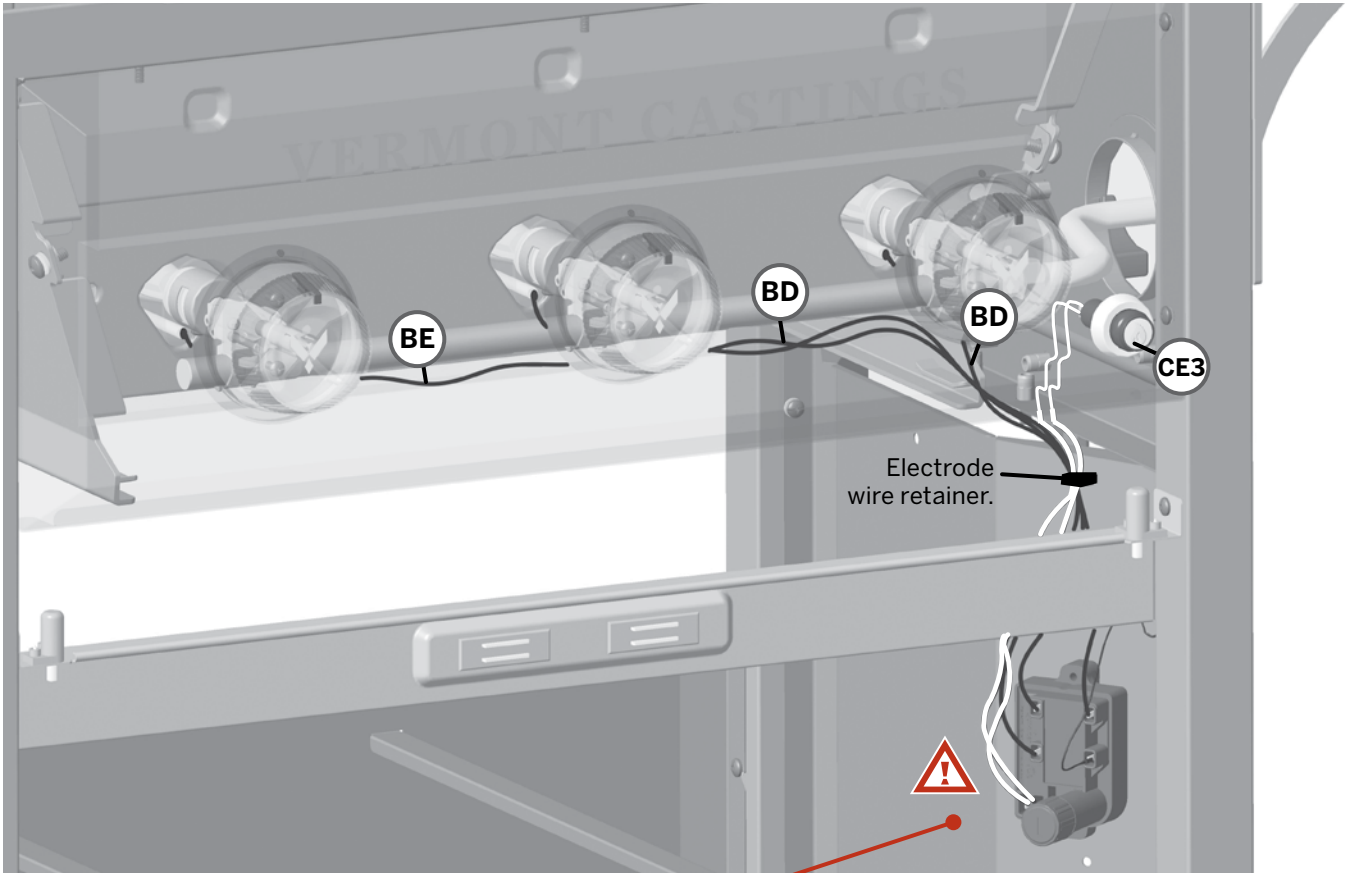
STEP 16B

8 x3



BUILD IT

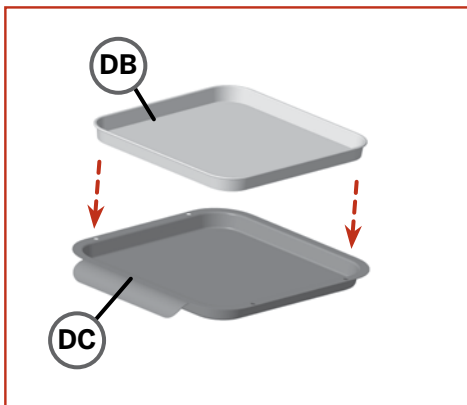
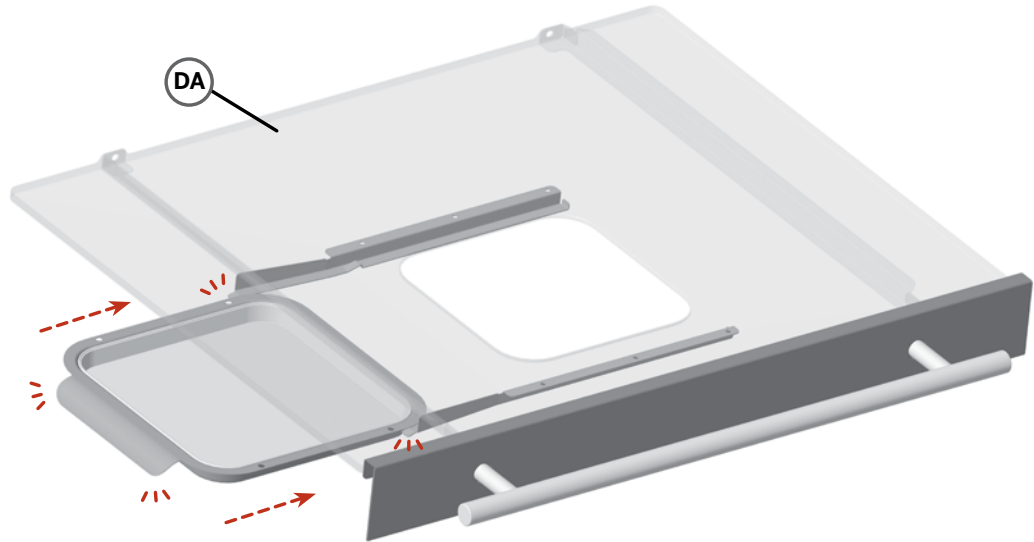
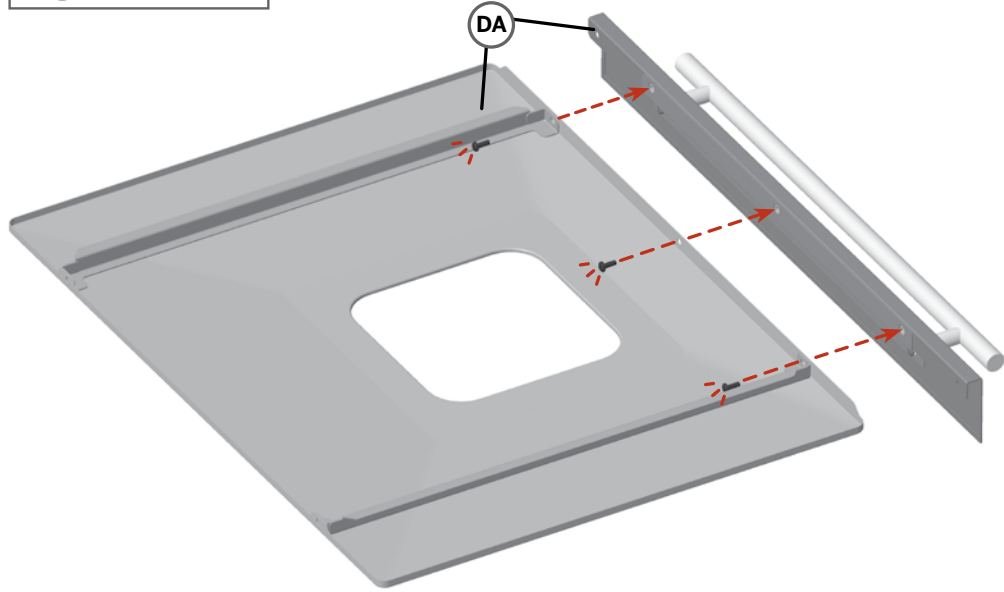
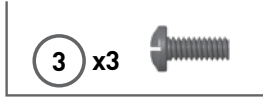
STEP 16C



BUILD IT

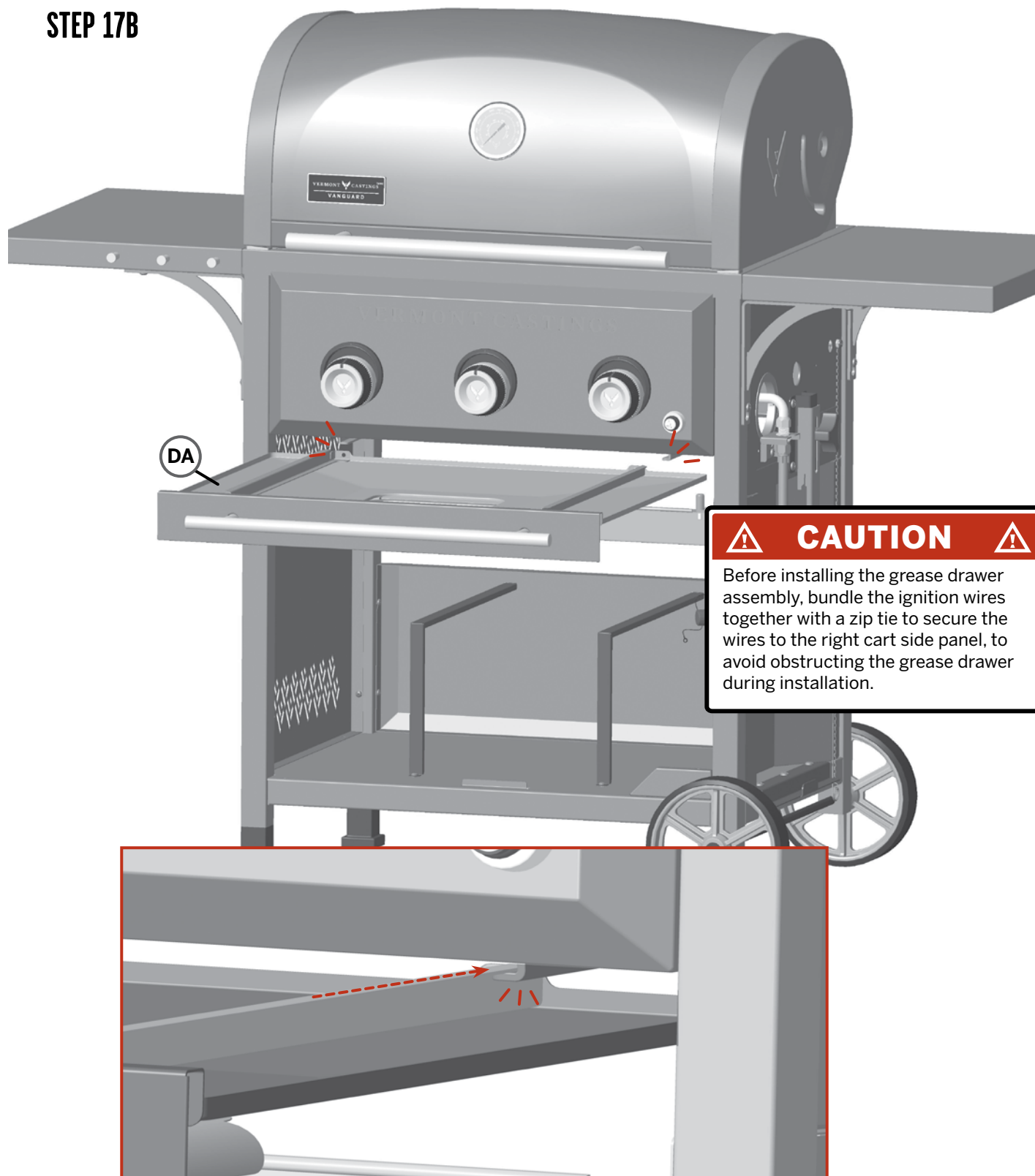
BUILD IT

STEP 17A



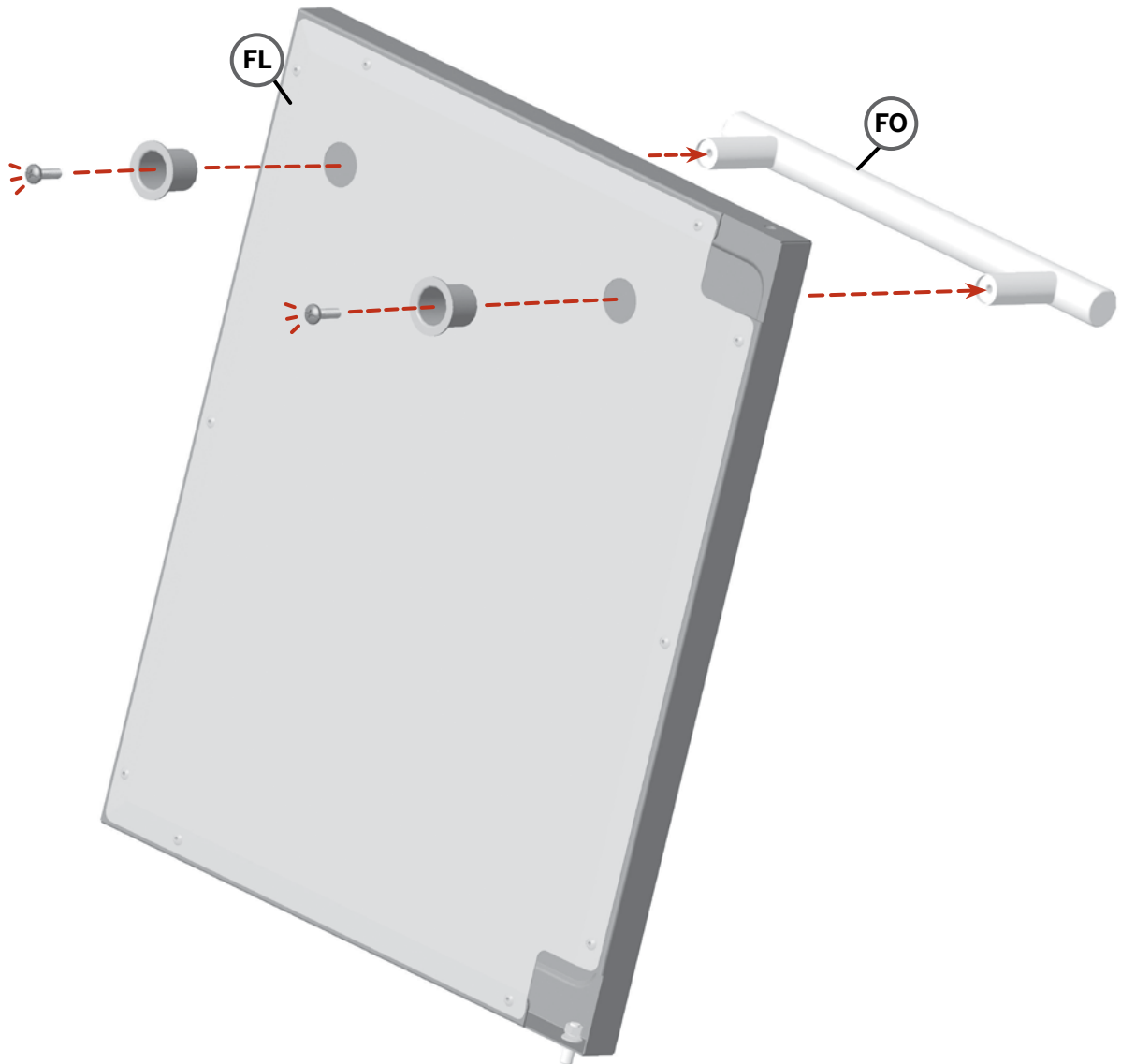
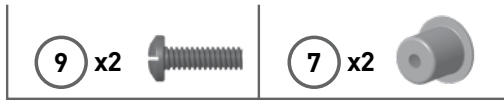
BUILD IT

STEP 17B



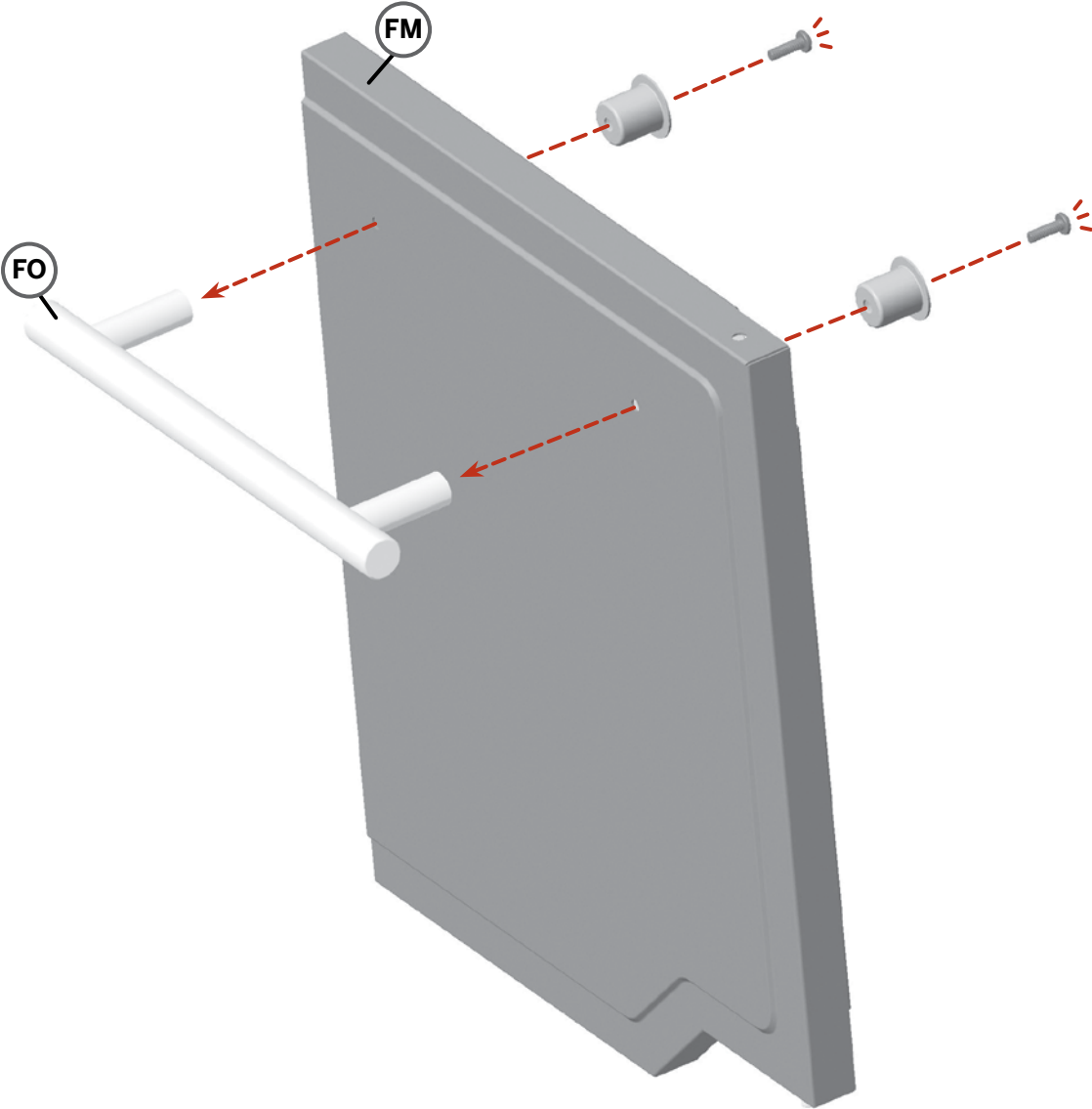
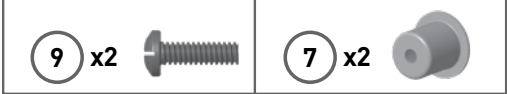
BUILD IT

STEP 18A



BUILD IT

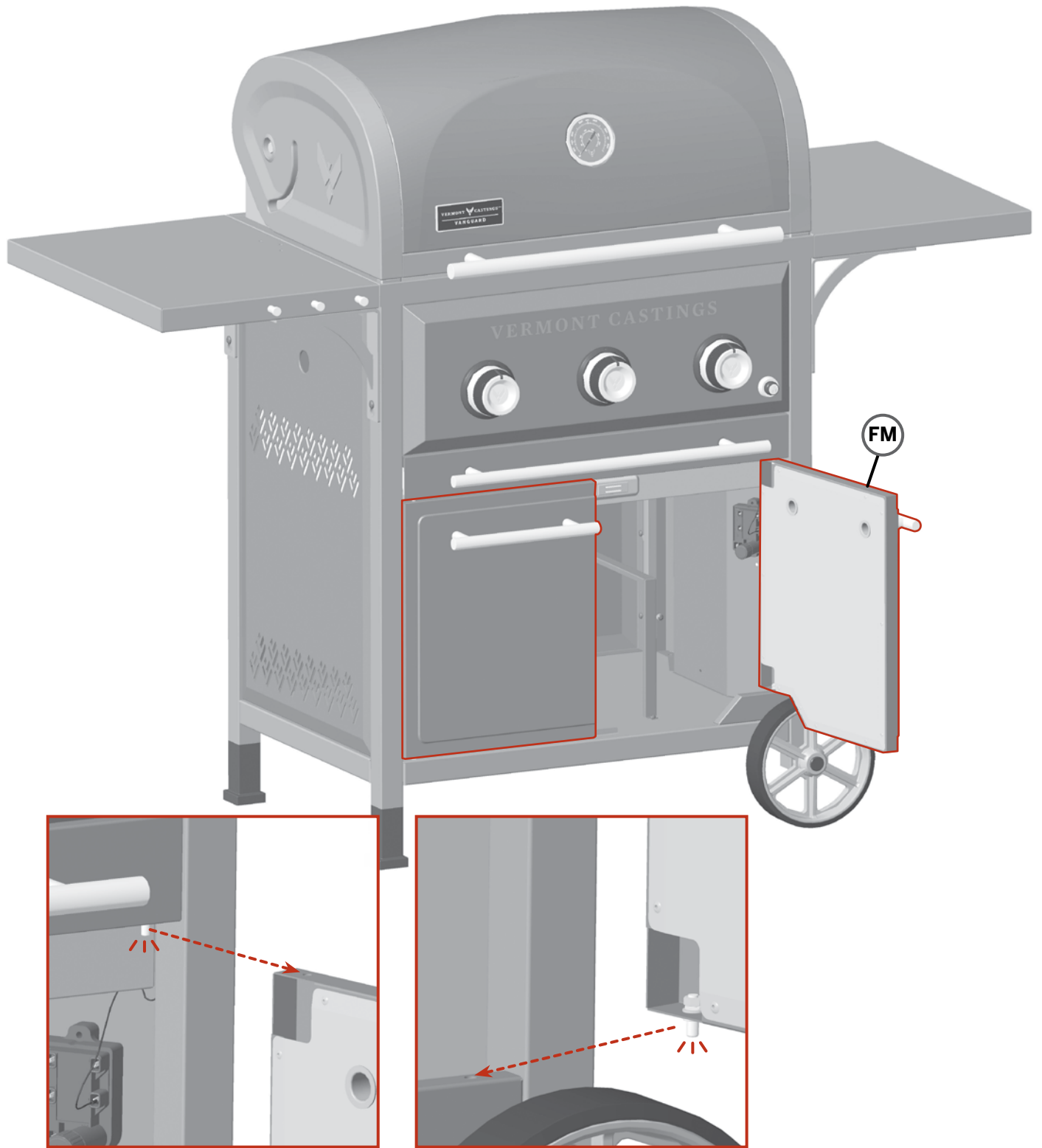
STEP 18B



BUILD IT

STEP 19

BUILD IT



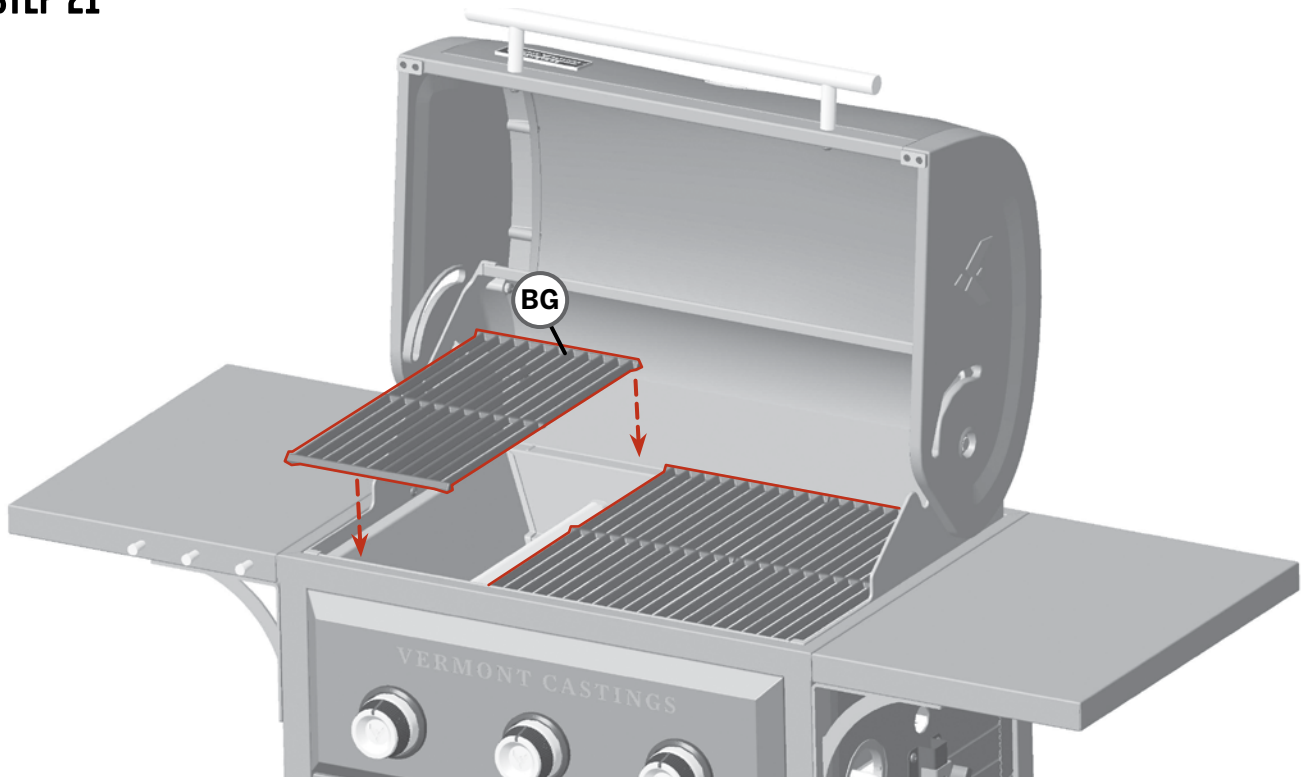
BUILD IT

STEP 20

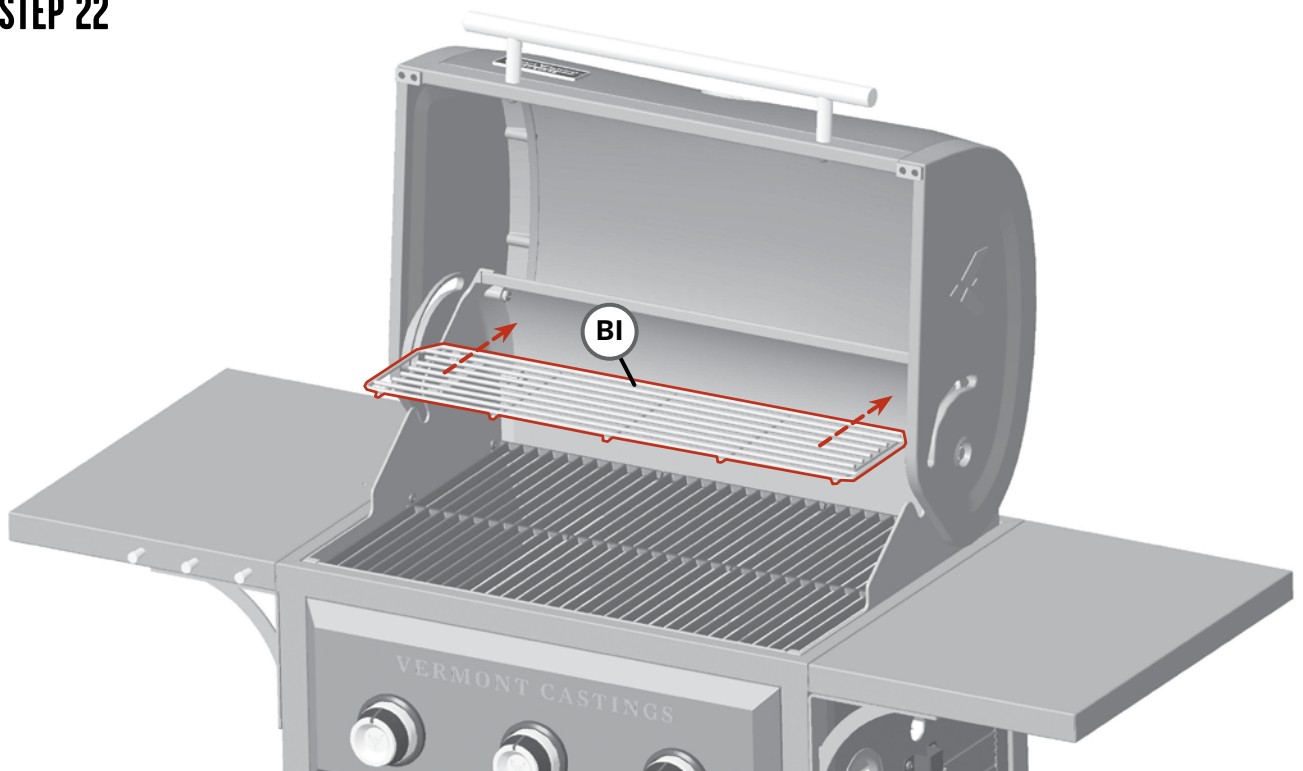


BUILD IT

STEP 21



STEP 22



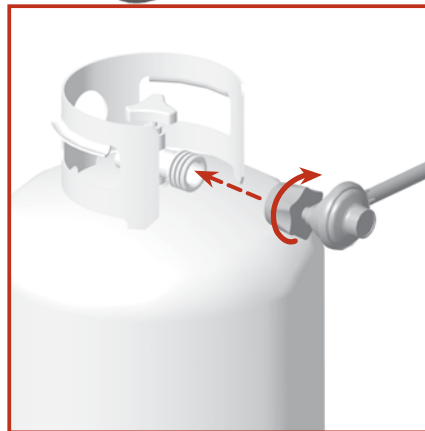
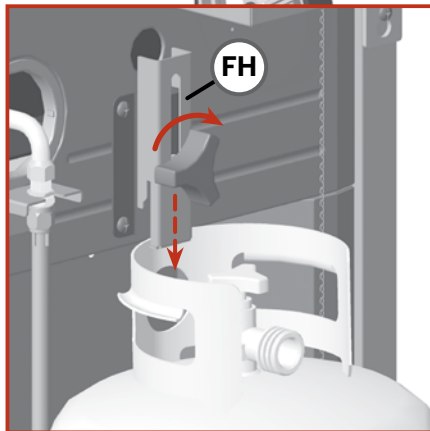
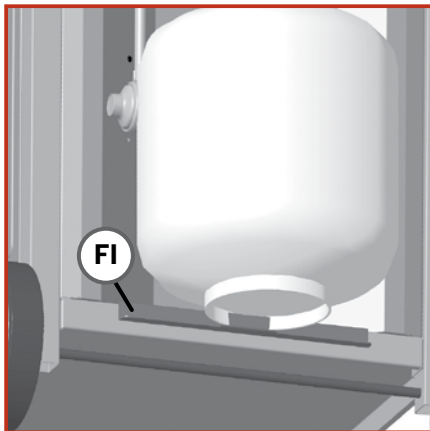
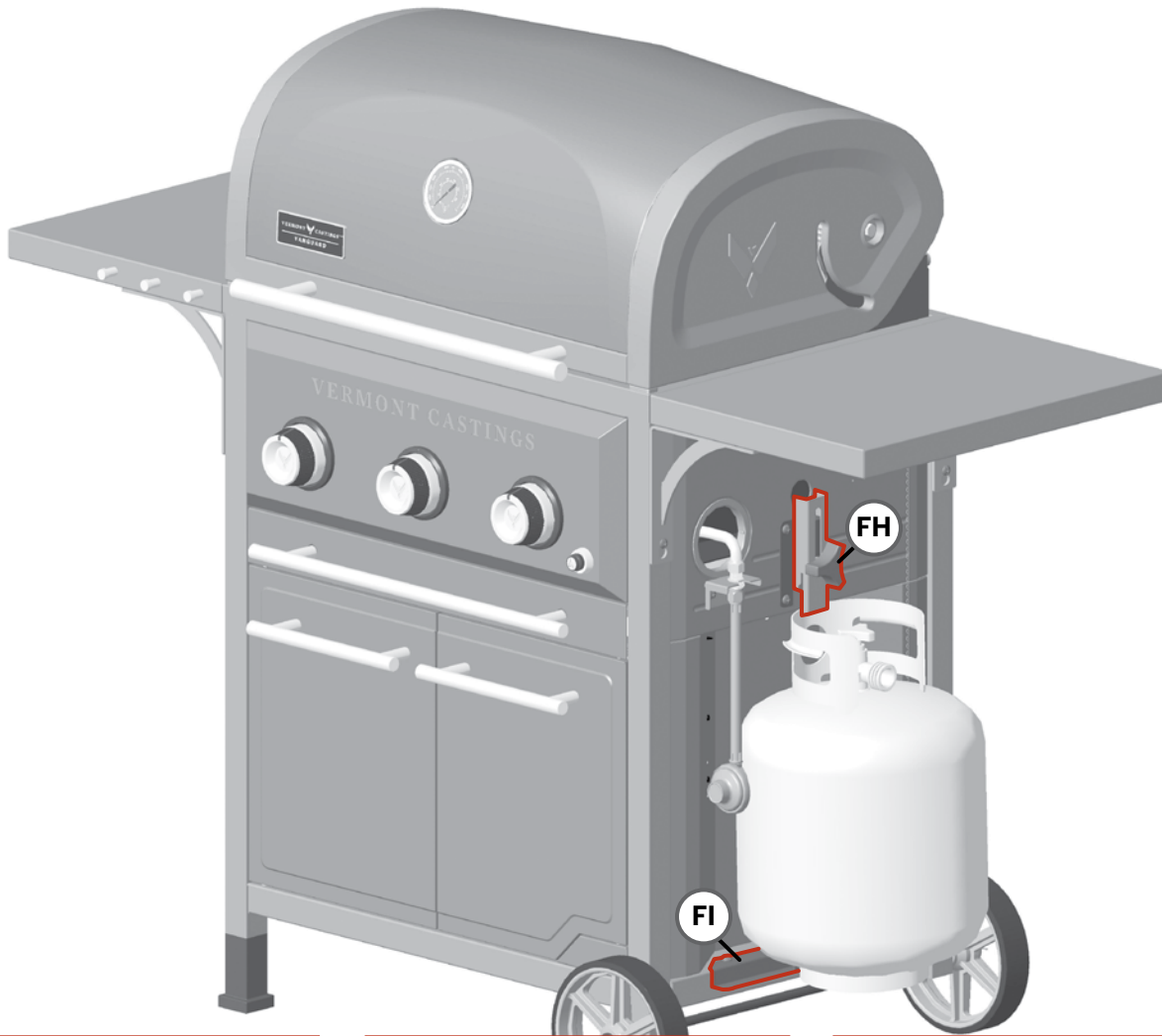
BUILD IT

STEP 23



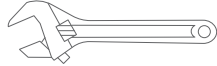
NATURAL GAS CONVERSION CUSTOMERS
PROCEED TO STEP 24.

BUILD IT



BUILD IT

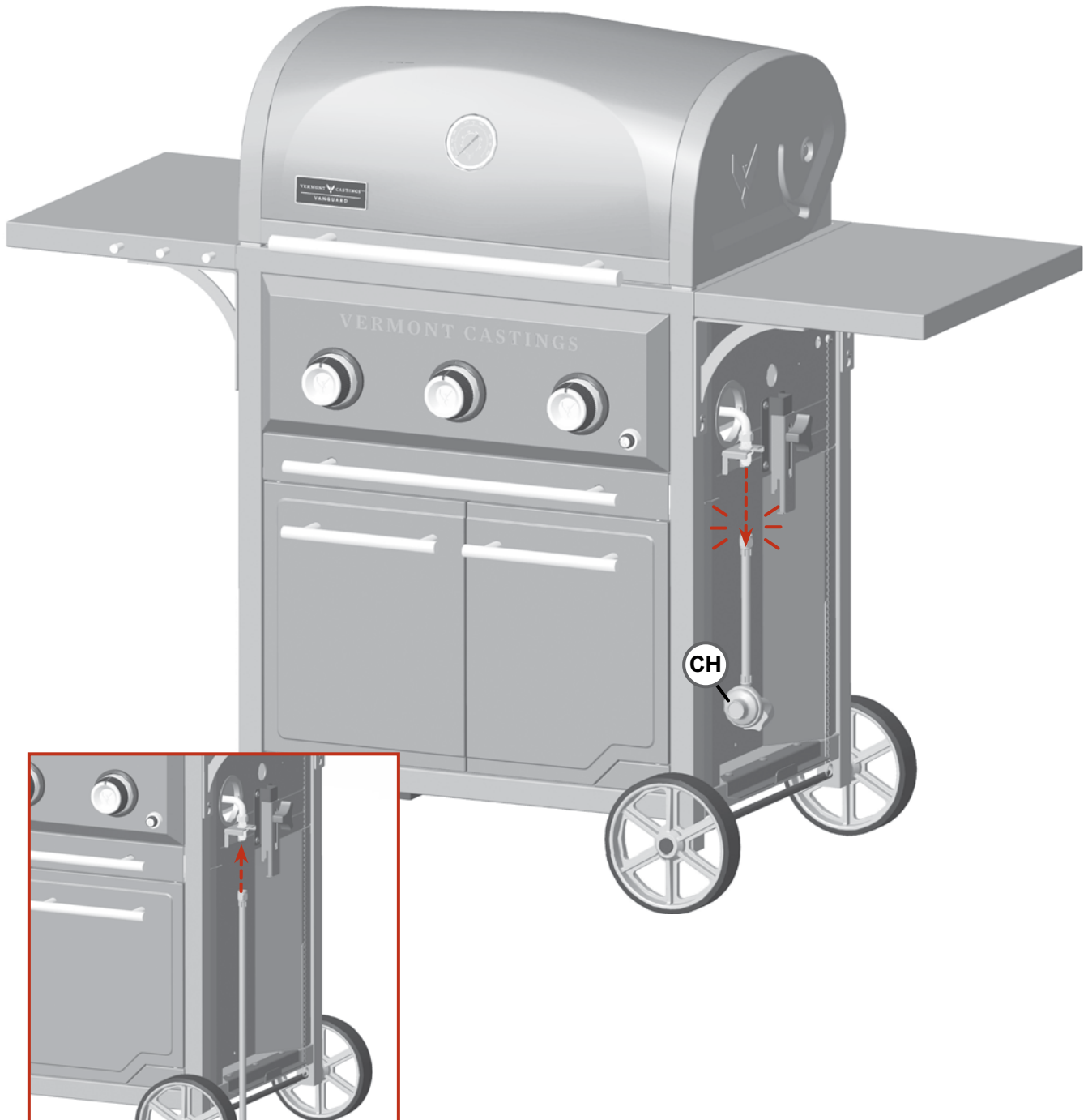
STEP 24



Wrench

NATURAL GAS CONVERSION CUSTOMERS ONLY.

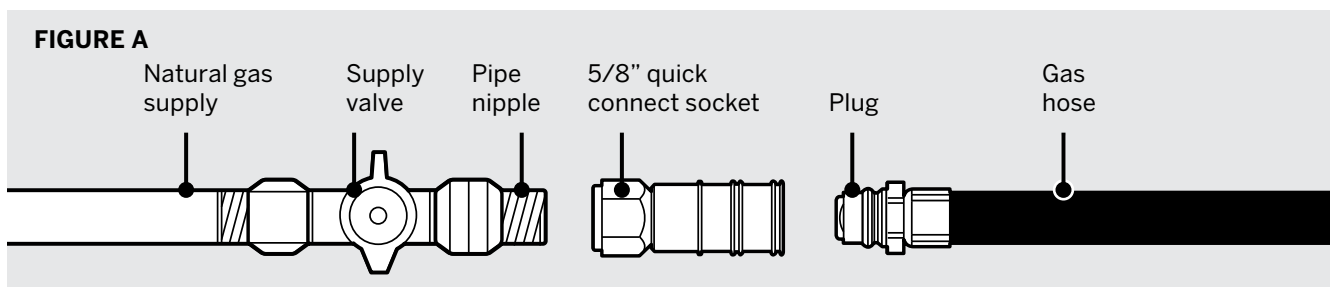
You will need the natural gas hose included with the **Convertible Valve System Kit (Model 085-2261-4)** in this step. See **Step 9A** in manual included with this kit.



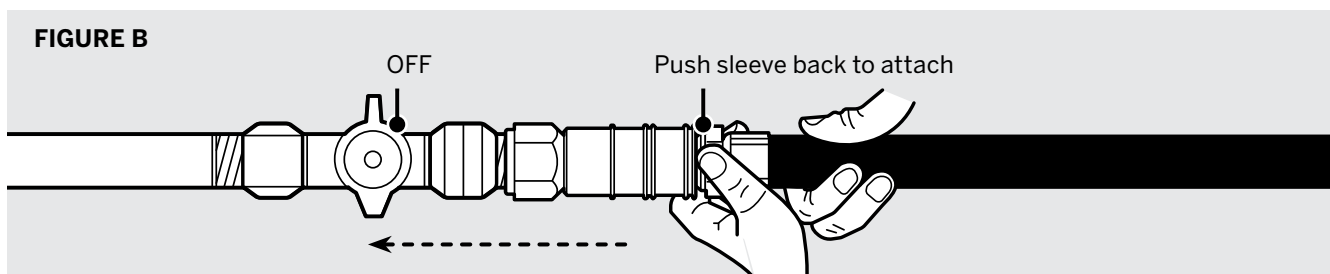
BUILD IT

STEP 25 CONNECTING YOUR BARBECUE TO THE NATURAL GAS SOURCE.

Coat pipe nipple with gas-resistant teflon tape or pipe dope. Tighten quick-disconnect coupling onto pipe nipple (FIGURE A).



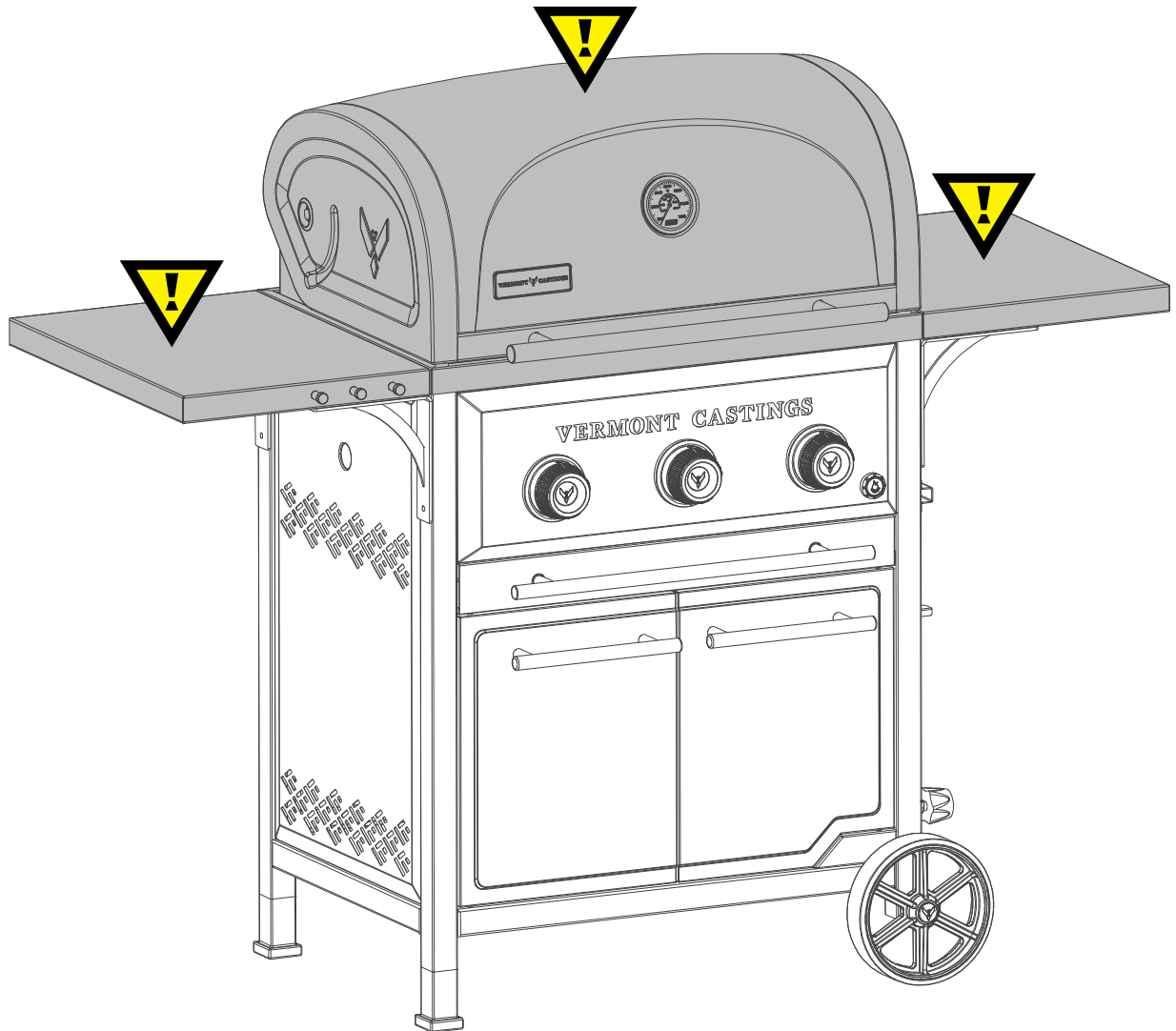
With the natural gas supply valve "OFF", connect the natural gas hose to the quick connect socket. Push the sleeve back on the quick connect socket (FIGURE B) and insert the plug until the sleeve snaps forward, locking the plug into the quick connect socket. Be sure to leak test these connections prior to use.



⚠ FIRE HAZARD—Do not route the natural gas hose inside of the barbecue cart.

BUILD IT

 **WARNING!**
HOT SURFACES.



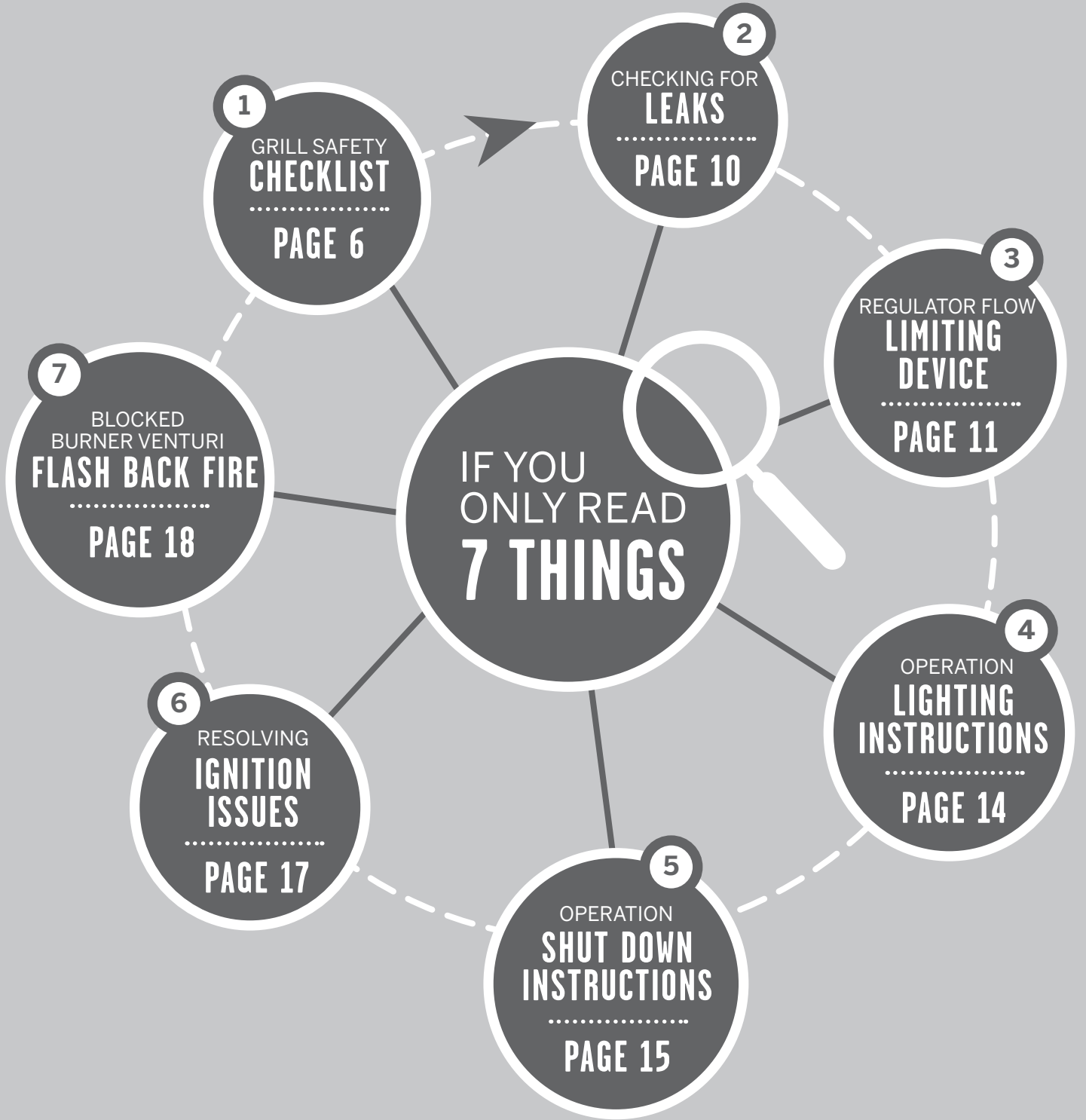
WARNING: EXTERIOR SURFACES WILL BECOME VERY HOT. TO PREVENT BURNS, ALWAYS WEAR INSULATED PROTECTIVE BARBECUE GLOVES WHEN USING THE BARBECUE.

- KEEP AWAY FROM COMBUSTIBLE MATERIALS.
- KEEP CHILDREN AND PETS AWAY FROM THIS GAS-FIRED BARBECUE.
- AVOID DANGEROUS FIRES: DO NOT LEAVE YOUR BARBECUE UNATTENDED WHILE IN OPERATION.

BEFORE YOU BEGIN

**DON'T TAKE RISKS, READ THE USER MANUAL.
KNOWING HOW YOUR BARBECUE WORKS IS KEY TO USING IT SAFELY.**

BEFORE YOU BEGIN



NOTES

NOTES



**VERMONT
CASTINGS** TM_{MC}



CONTACT US 1-844-586-4660
WWW.VERMONTCASTINGSBBQ.COM