

This Owner's Manual is provided and hosted by [Appliance Factory Parts](#).



# Vermont Castings G54001 Owner's Manual

[Shop genuine replacement parts for Vermont Castings  
G54001](#)



[Find Your Vermont Castings Grill Parts - Select From 273 Models](#)

----- Manual continues below -----

SERIAL NO./ N° DE SÉRIE



# VERMONT CASTINGS<sup>TM</sup> MC

## VERMONT CASTINGS VANGUARD<sup>TM/MC</sup> 4-BURNER BARBECUE

**G54001**  
**ASSEMBLY MANUAL**  
REGISTER YOUR NEW GRILL AT  
[WWW.VERMONTCASTINGSBBQ.COM](http://WWW.VERMONTCASTINGSBBQ.COM)

Before you begin >>>



ENHANCE YOUR ASSEMBLY WITH A  
QUICKER & EASIER ASSEMBLY EXPERIENCE  
DOWNLOAD THE FREE APP



LAST UPDATE: MAR 31, 2019



## WELCOME TO VERMONT CASTINGS

Founded in 1975, Vermont Castings has always stood for uncompromising commitment to quality craftsmanship and meaningful design. Our wood stoves and hearth products deliver more than heat – they create a warmth that unites.

Lit with purpose, our line of Vermont Castings barbecues are designed to deliver your best grilling experience. With a durable, robust construction built to last through the years, thoughtfully constructed components that stand up to grilling in any season, and a simplified system to make maintaining your investment easier, Vermont Castings continues the promise of unwavering quality and purposeful design.

Vermont Castings barbecues do more than just grill. They let you create enduring connections around food and flame.



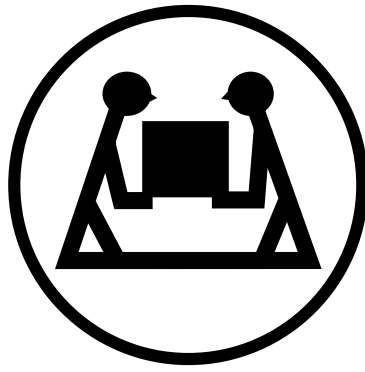
ANS Z21.58-2018 / CSA1.6-2018  
Outdoor Cooking Gas Appliances



ANS Z21.58-2018 / CSA1.6-2018  
Outdoor Cooking Gas Appliances

CONTACT US: 1-844-586-4660  
[WWW.VERMONTCASTINGSBBQ.COM](http://WWW.VERMONTCASTINGSBBQ.COM)

PLEASE KEEP THIS MANUAL WITH YOUR  
BARBECUE FOR FUTURE REFERENCE



## HEAVY ARTICLE NEEDS 2 TO LIFT

### THIS MANUAL MUST REMAIN WITH THE PRODUCT AT ALL TIMES

To ORDER non-warranty replacement parts or accessories, or to register your warranty, please visit us on the web at [www.vermontcastingbbq.com](http://www.vermontcastingbbq.com)

#### **⚠ CAUTION**

Sharp edges. Wear gloves when assembling your grill.

#### **⚠ CAUTION**

Read and follow all safety statements, assembly instructions, use and care directions before attempting to assemble and cook.

#### **⚠ INSTALLER OR ASSEMBLER/ CONSUMER**

This manual should be kept with the BBQ at all times.

#### **⚠ WARNING**

Failure to follow all of the Manufacturer's instructions could result in hazardous fires, explosions, property damage, or serious personal injury or even death.

Follow all leak check procedures carefully prior to operation of barbecue, even if grill was dealer assembled. Do not try to light this barbecue without reading the Lighting Instructions section of this manual.

#### **⚠ DANGER**

1. If you smell Gas:
  - a. Shut off gas to the appliance
  - b. Extinguish any open flame
  - c. Open lid
  - d. If odor continues, keep away from the appliance and immediately call your gas supplier or your fire department
2. Requires two people to complete the assembly process.
3. Beware of sharp edges.

#### **⚠ WARNING**

1. Do not store or use gasoline or other flammable liquids or vapours in the vicinity of this or any other appliance.
2. An LP cylinder not connected for use shall not be stored in the vicinity of this or any other appliance.

#### **⚠ WARNING**

IN DIRECT SUN, AND IN OPERATION, YOUR BBQ'S STAINLESS STEEL AND PAINTED STEEL PARTS CAN BECOME VERY HOT.

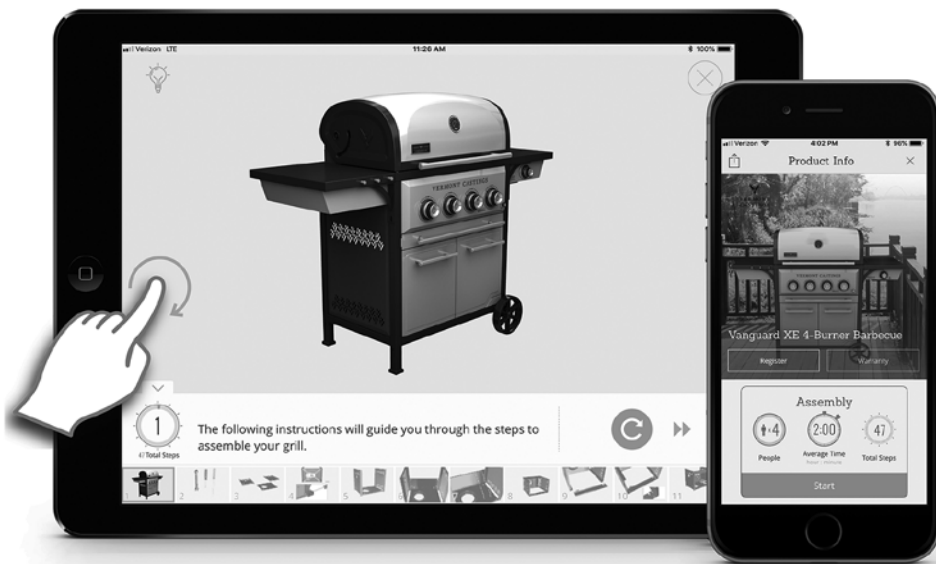
**THIS BARBECUE IS FOR OUTDOOR USE ONLY**

**CONTACT CALL CENTRE IF ANY PARTS ARE MISSING**

**1-844-586-4660**

# IMPORTANT

Easy step-by-step  
interactive 3D instructions  
*for this product can be found in*



## **BILT**® INTELLIGENT INSTRUCTIONS



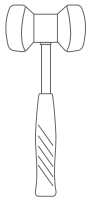
Available on most iOS and Android Devices

### DOWNLOAD THE **FREE** APP

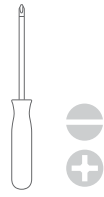


VERMONT  
CASTINGS®

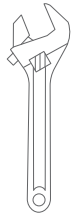
# TOOLS REQUIRED



**Mallet**



**Screwdrivers**



**Wrench**



**4 People**

# HARDWARE PACK

PART NO.	DESCRIPTION	PHOTO	QTY
1	¼"-20UNC x 38 Screw		6
2	¼"-20UNC x 13 Screw		21
3	NO.10-24UNC x 13 Screw		33
4	ST4.8 x 10 Tapping Screw		2
5	Wheel Bushing		3
6	Pin, Wheel		1
7	Spacer, Door Handle		4
8	Pin, Main Burner		4
9	Wing Nut, Side Burner		1
10	NO.10-24UNC x 18 Screw		4
11	¼"-24UNC x 18 Screw		8

# SYMBOLS



**SYMBOLS:** THESE SYMBOLS ARE USED THROUGHOUT THIS ASSEMBLY MANUAL TO EMPHASIZE CRITICAL AND IMPORTANT PART INFORMATION.

# PARTS

ITEM NO.	QTY.	DESCRIPTION	PART NO.
AA	1	Top Lid Assembly	G540-1800-02
AB	1	Lid Handle	G540-0017-01
AC	1	Thermometer	G366-0035-01
AD	2	Top Lid screw & hitch pin	G539-0024-02
AE	2	Lid Bumper, Top Lid	G539-0034-01
AF	2	Lid Bumper, Burner Box	G527-0002-02
BA	1	Burner Box Assembly	G540-1700-01
BB	1	Top Frame	G540-0100-01
BC	4	Main Burners	G366-0400-01
BD	2	Electrode Set 600mm, Main Burner	G366-0030-01
BE	4	Electrode Set 800mm, Main Burner	G539-0028-01
BF	4	Heat plate	G366-0031-01
BG	3	Cooking Grate, Main Burner	G366-0032-01
BH	2	Heat Shield, Burner Box	G366-0048-01
BI	1	Warming Rack	G540-0015-01
BJ	1	Match Holder	G570-0035-01
CA	1	Control Panel	G540-0005-01
CB	1	Heat Shield, Control Panel	G540-0023-01
CC	4	Control Knob, Main Burner	G366-1500-01
CD	4	Control Knob Bezel, Main Burner	G366-0010-01
CE1	1	Electronic Ignition Module	G540-0002-01
CE2	1	Battery Cover	G366-0006-02
CE3	1	Ignition Switch	G366-0011-01
CF	1	Ground Wire	G602-0024-03
CG	1	Manifold Assembly	G540-1200-01
CH	1	Regulator	G312-1004-01
CI	1	Regulator Bracket	G366-0046-01
CJ	1	Front Brace with Door Magnet	G540-1300-01
CK	2	Metal Hose	G508-0024-01
CL	1	Hose Connector	G466-0085-01
DA	1	Grease Drawer Assembly	G540-1600-01
DB	1	Replacement Liner	G366-0022-01
DC	1	Grease Pan	G366-0021-01
EA	1	Side Shelf Table, Left	G539-0025-01
EB	1	Side Shelf Fascia, Left	G540-0500-01
EC	1	Side Burner Table, Right	G540-0600-01

ITEM NO.	QTY.	DESCRIPTION	PART NO.
ED	3	Tool Hooks	G366-0041-01
EE	1	Side Burner Fascia, Right	G540-0700-01
EF	1	Side Burner Drip Pan	G515-0083-01
EG	1	Side Burner Lid	G518-0036-01
EH	1	Side Burner Valve	G540-0006-01
EI	1	Side Burner	G540-2100-01
EJ	1	Electrode Set, Side Burner	G515-0039-02
EK	1	Cooking Grate, Side Burner	G540-0020-01
EL	1	Control Knob, Side Burner	G540-2200-01
EM	1	Control Knob Bezel, Side Burner	G540-0019-01
EN	4	Side Shelf Support Brace	G539-0500-01
FA	1	Front Leg, Left (F1)	G366-1001-01
FB	1	Back Leg, Left (F1)	G366-1002-01
FC	1	Cart Side Panel, Left (F1)	G366-1003-01
FD	1	Front Leg, Right (F2)	G366-1101-01
FE	1	Back Leg, Right (F2)	G366-1102-01
FF	1	Upper Cart Side Panel, Right (F2)	G366-1103-01
FG	1	Lower Cart Side Panel, Right (F2)	G366-1104-01
FH	1	Cylinder support	G539-0017-02
FI	1	Tank Base Support	G539-0016-01
FJ	1	Upper Back Panel	G540-0004-01
FK	1	Lower Back Panel	G540-0003-01
FL	1	Door Assembly, Left	G540-1400-01
FM	1	Door Assembly, Right	G540-1500-01
FN	1	Lower Door Brace	G366-0015-01
FO	2	Door Handle	G539-0010-01
FP	1	Bottom Panel	G540-0001-01
FQ	2	Tank Exclusion Brace	G366-0014-01
GA	2	Feet	G539-0002-01
GB	2	Wheel	G366-1200-01
GC	1	Wheel Axle	G366-0003-01
H1	1	Hardware Pack	G540-B001-01
H2	1	Assembly Manual	G540-M001-01
H3	1	User Manual	G540-M001-02



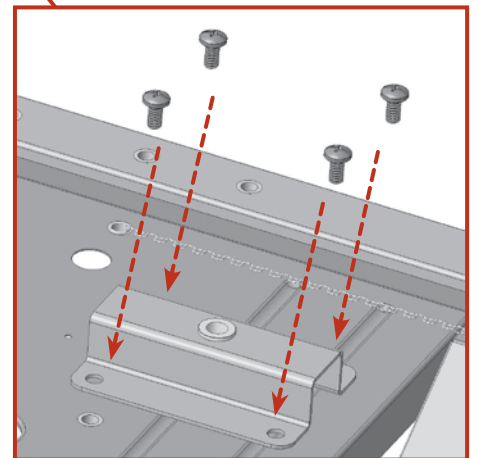
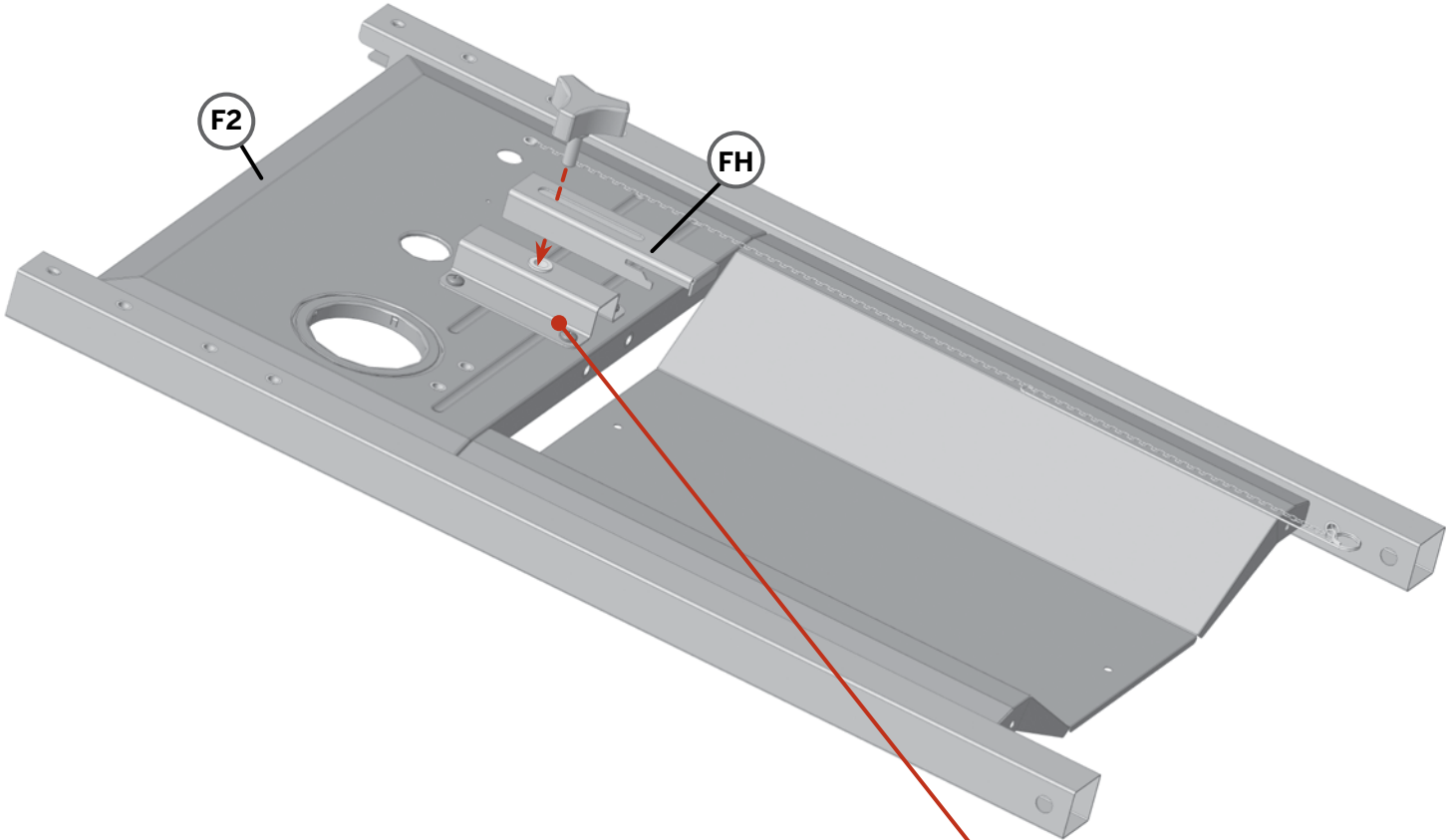
# BUILD IT

## STEP 1A



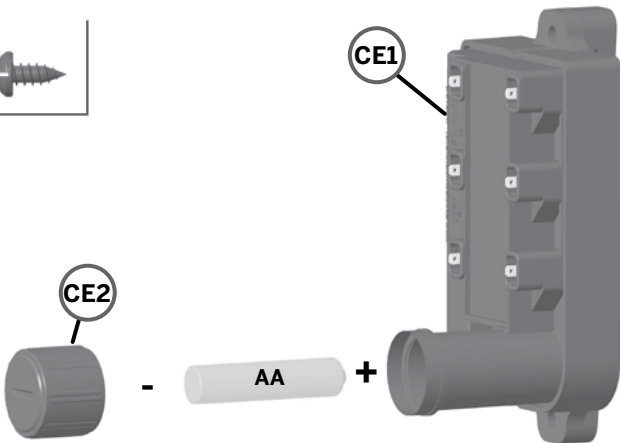
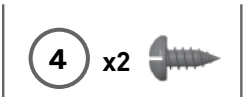
Assemble on a **FLAT** and **SOFT** surface to avoid damage.

BUILD IT



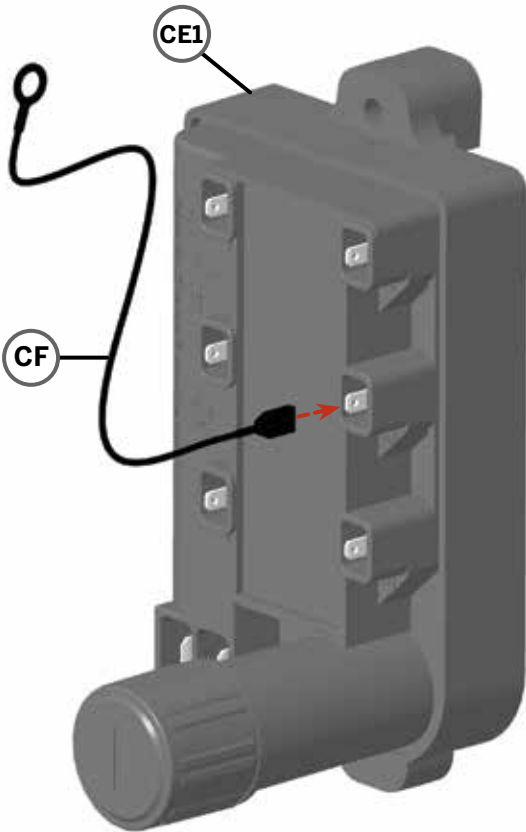
# BUILD IT

## STEP 1B



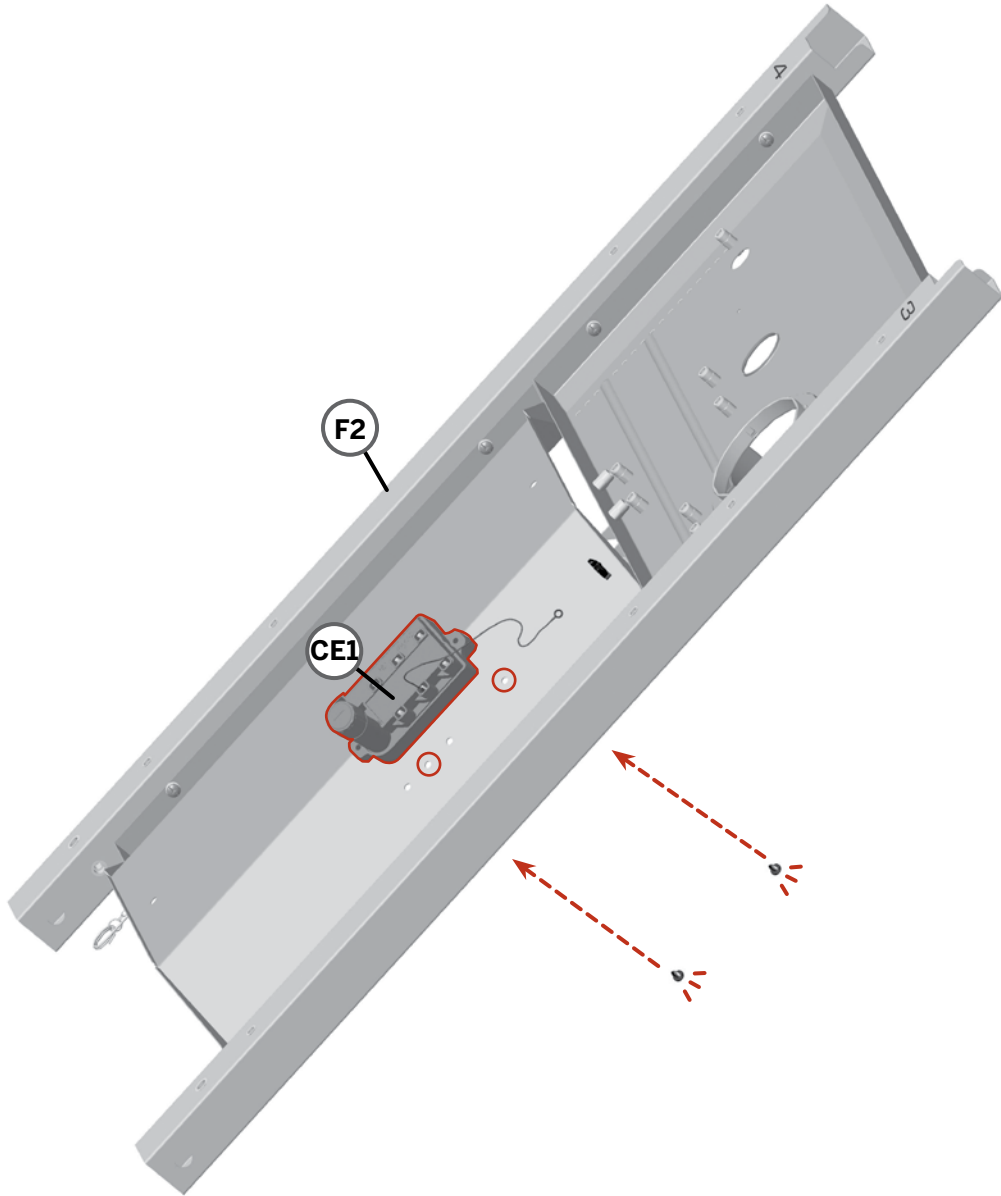
BATTERY NOT INCLUDED.

## STEP 1C



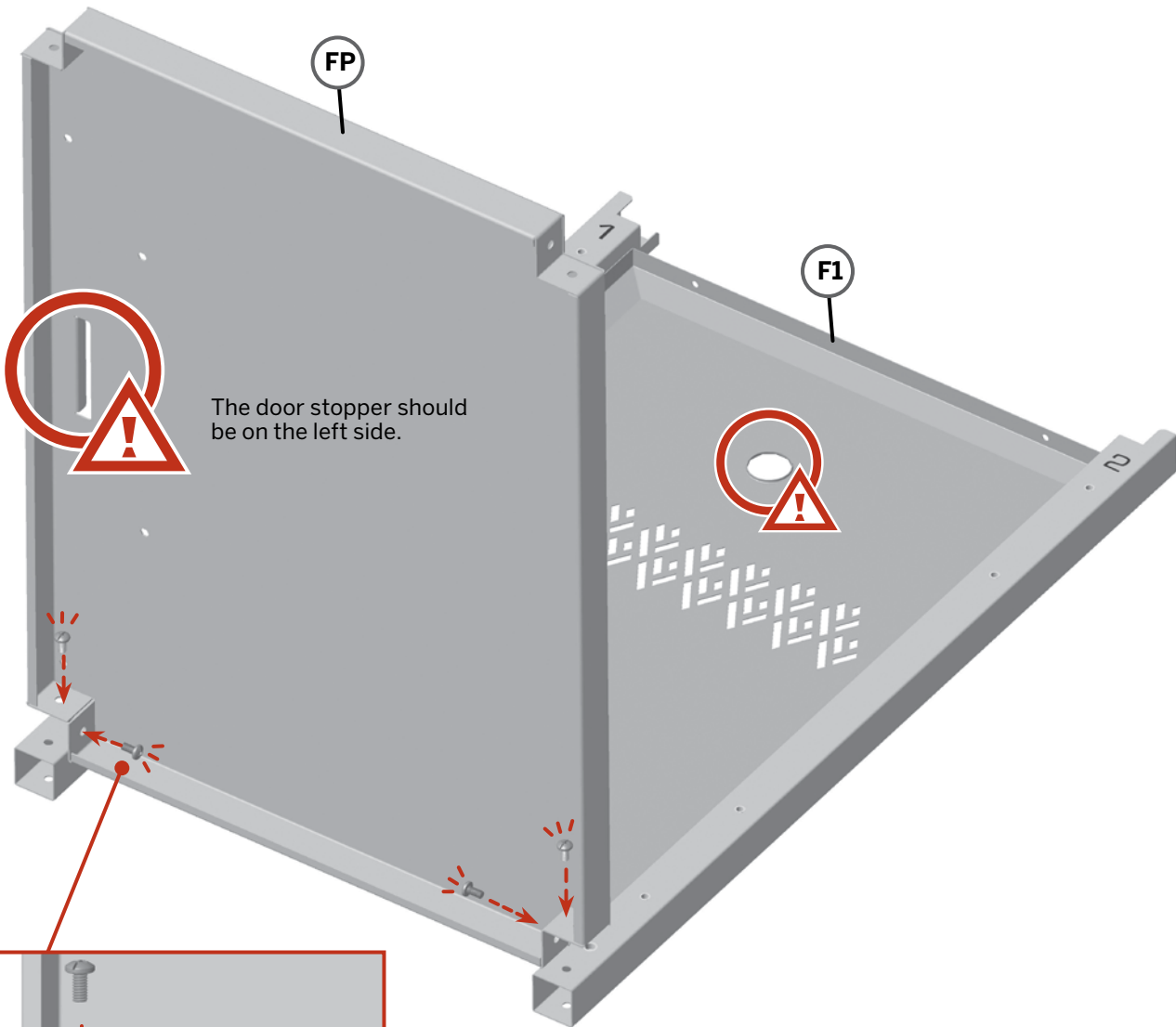
# BUILD IT

## STEP 1D

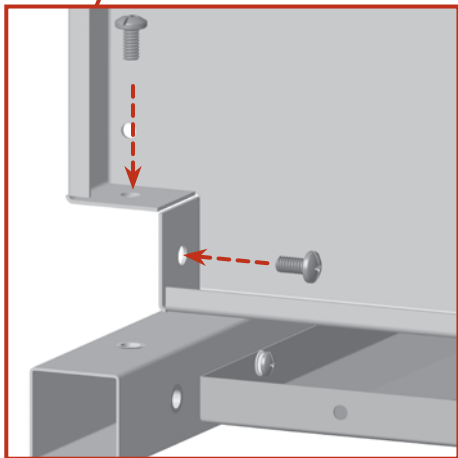


# BUILD IT

## STEP 2A

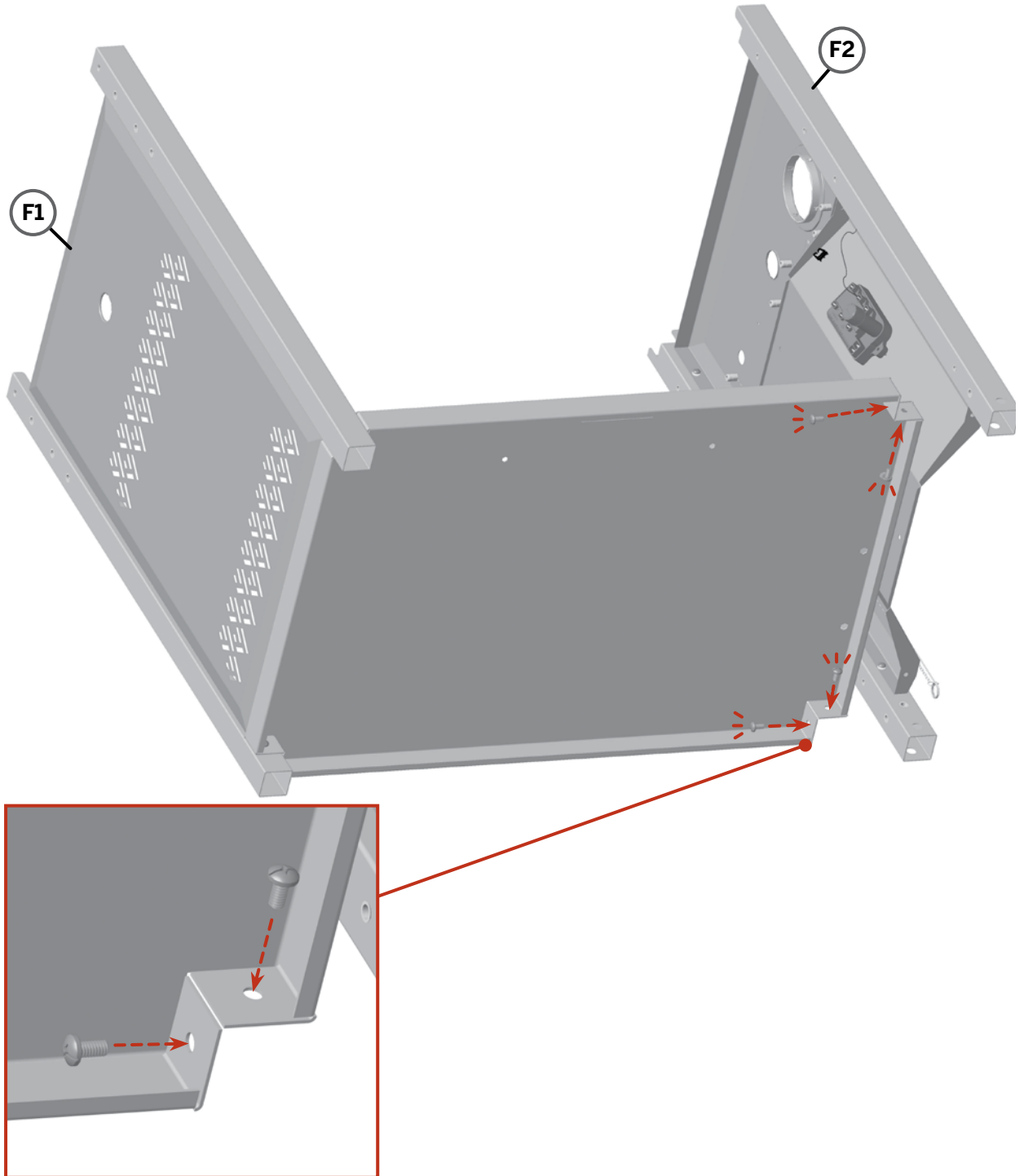


The door stopper should be on the left side.



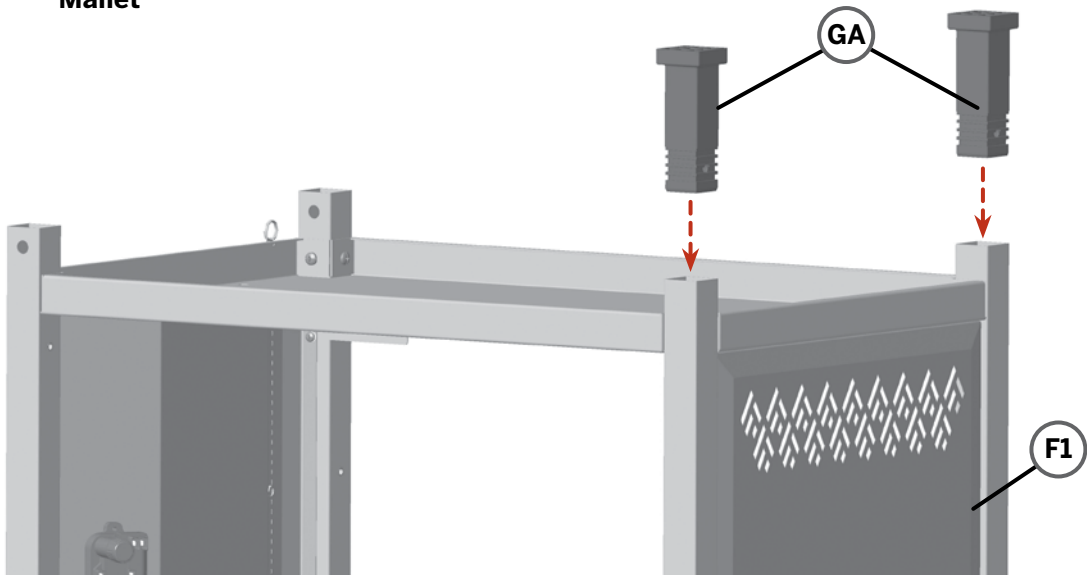
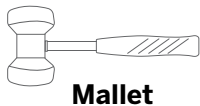
# BUILD IT

## STEP 2B

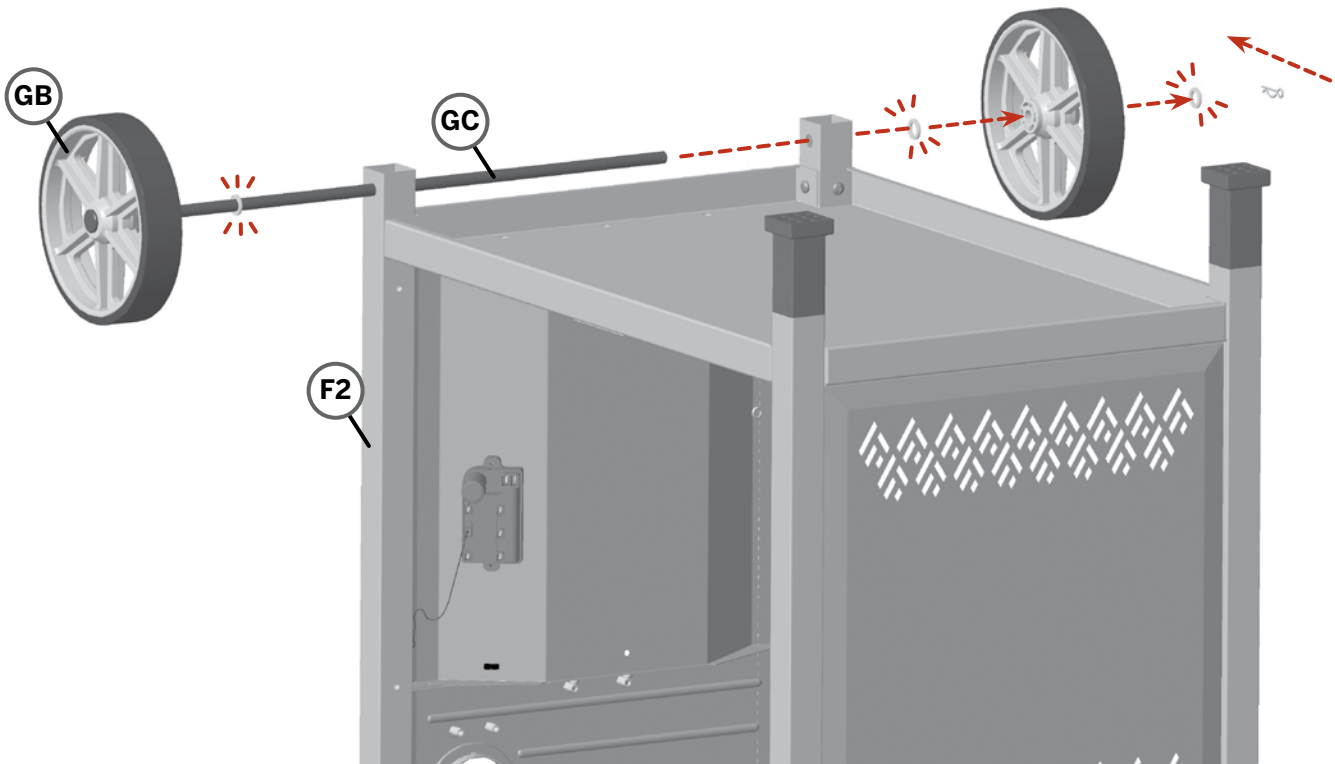


# BUILD IT

## STEP 3A



## STEP 3B

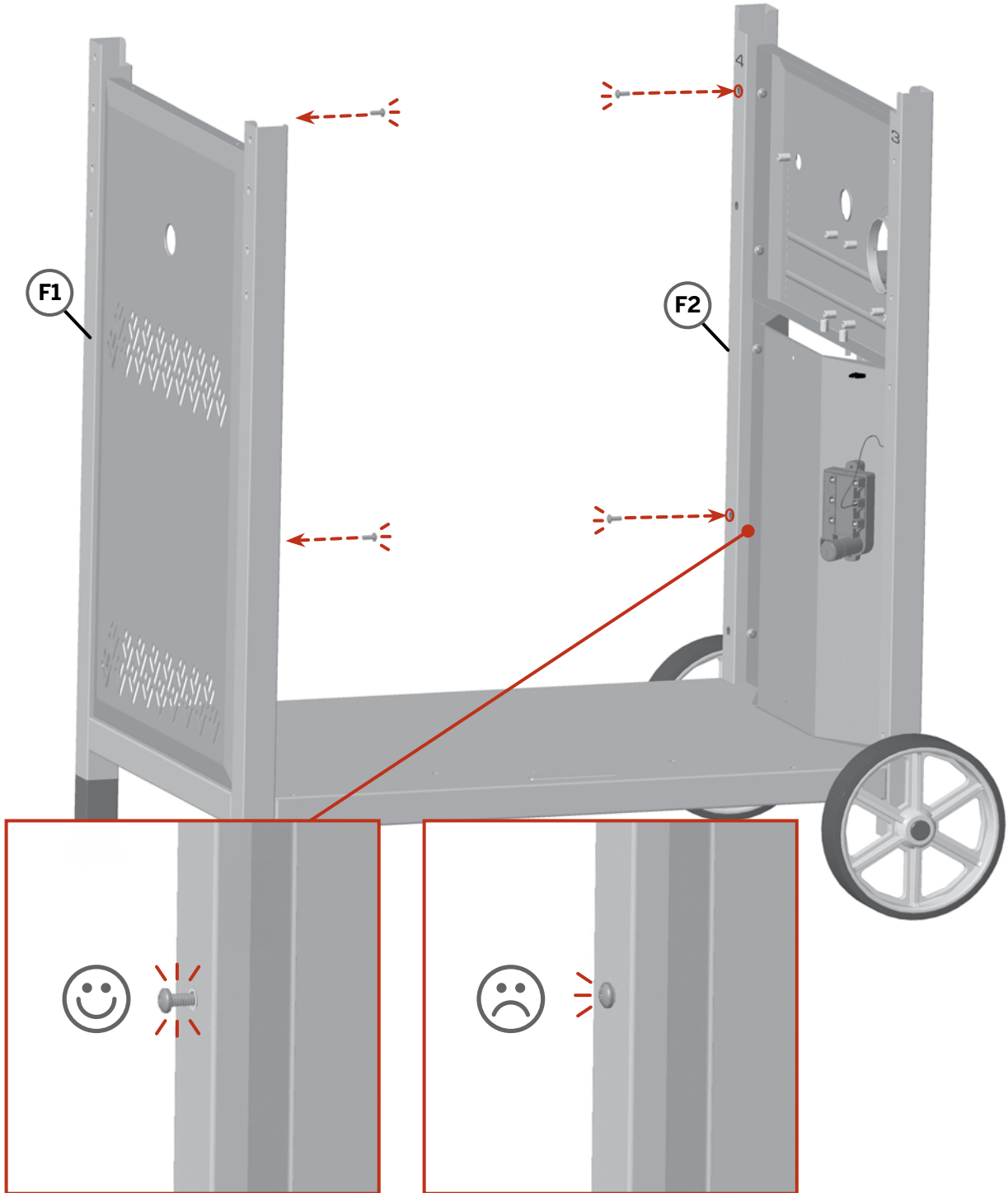


# BUILD IT

## STEP 4A



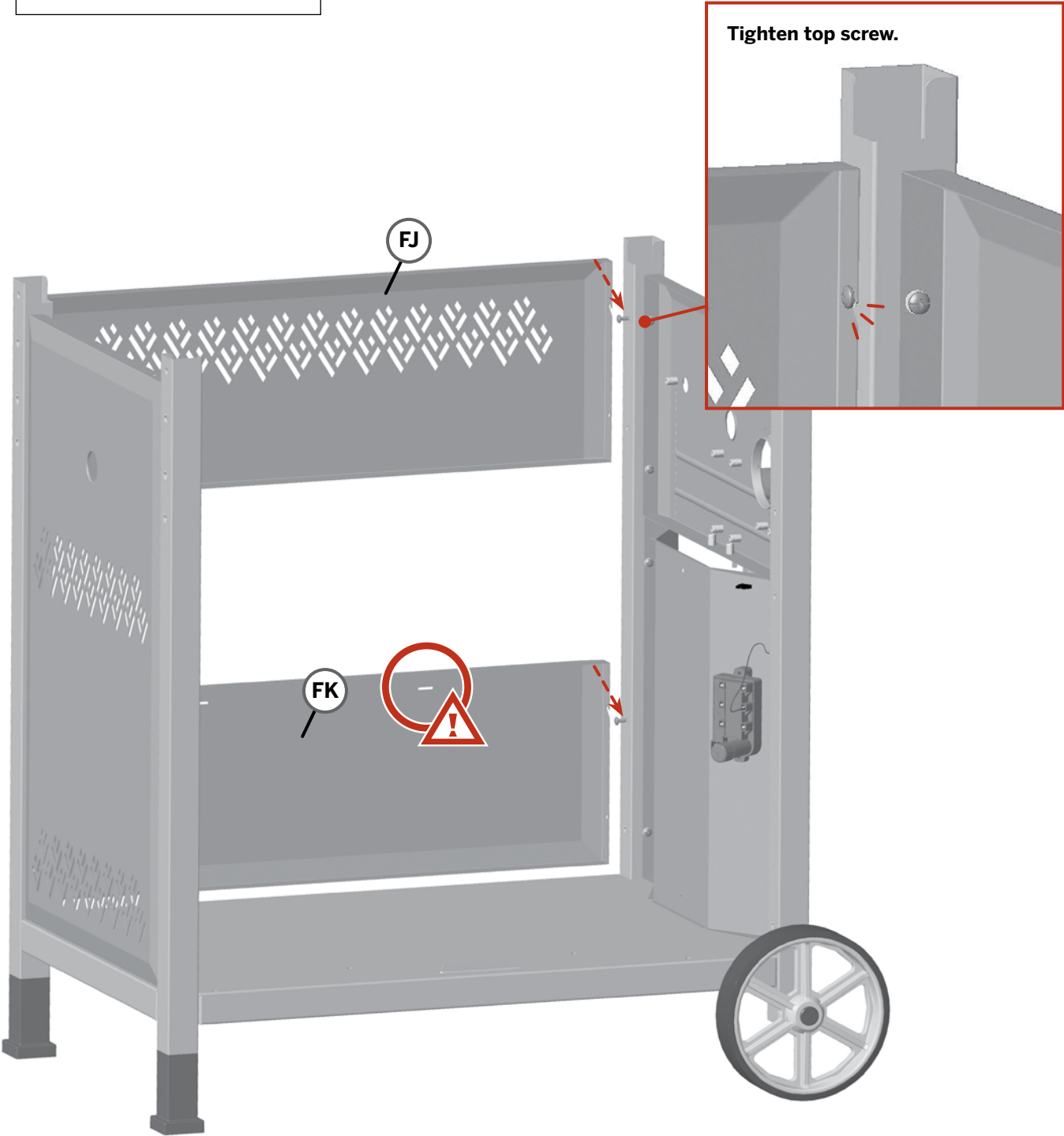
### BACK PANEL ASSEMBLY



# BUILD IT

## STEP 4B

### BACK PANEL ASSEMBLY

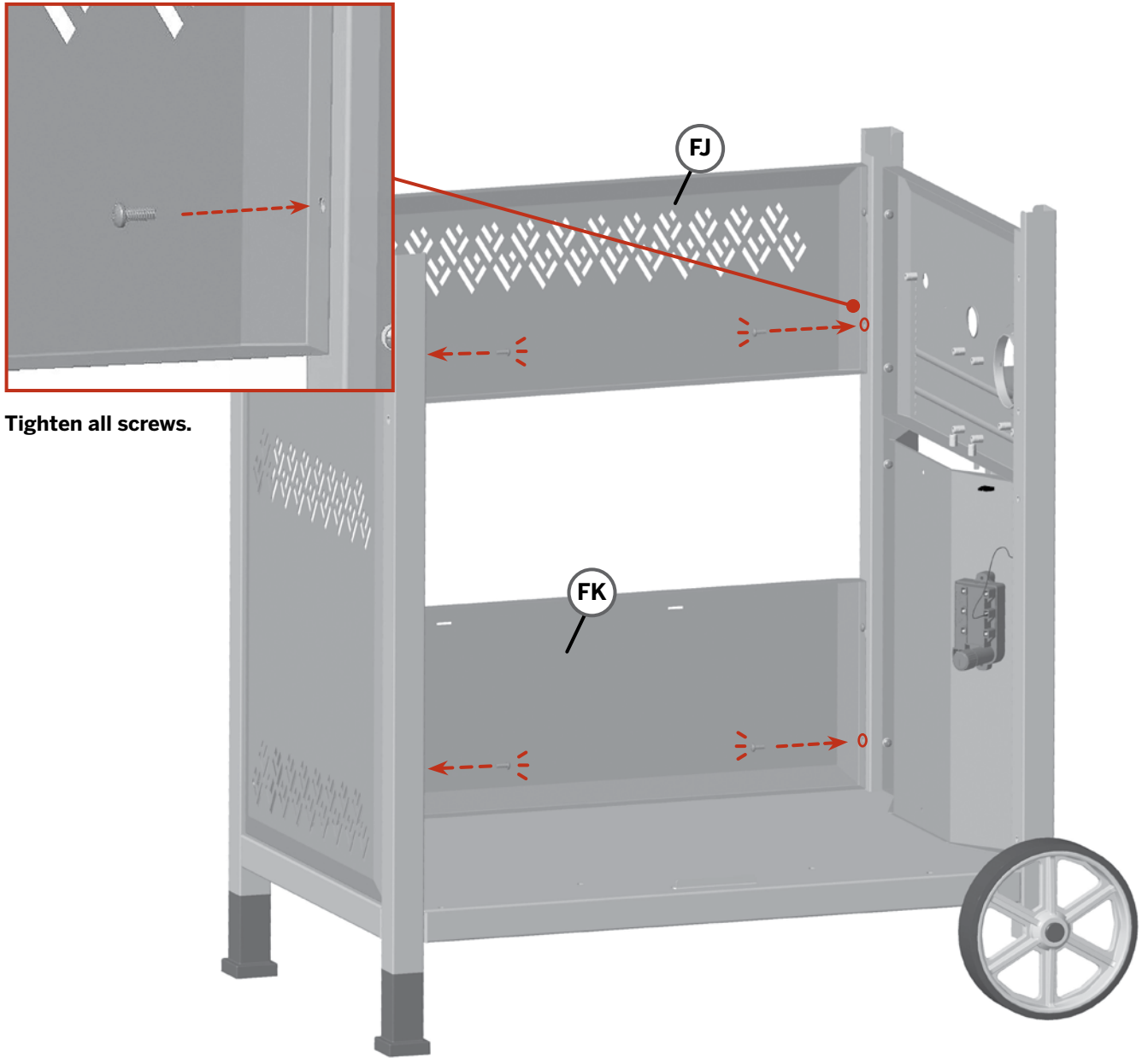


# BUILD IT

## STEP 4C



## BACK PANEL ASSEMBLY

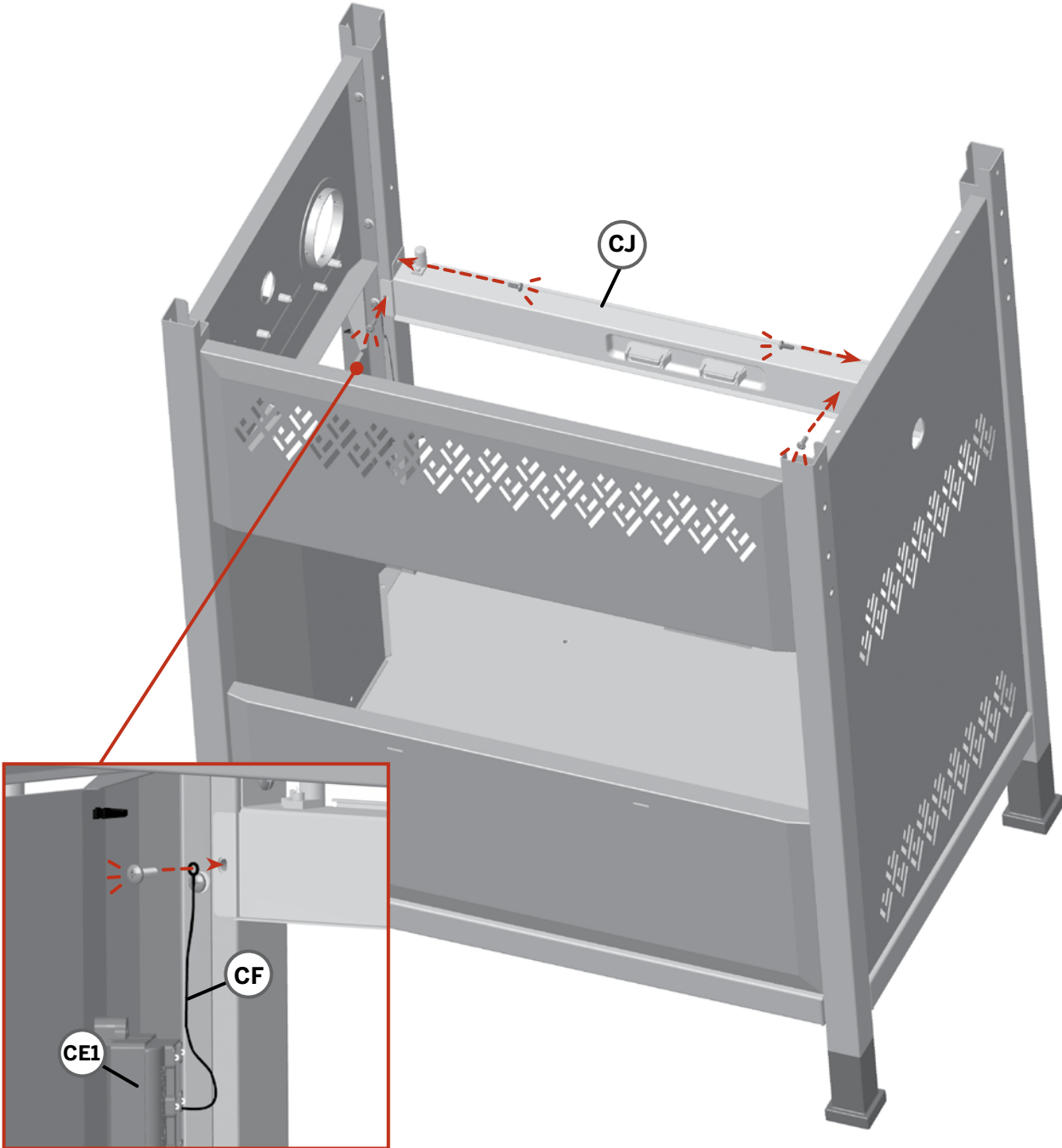


Tighten all screws.

BUILD IT

# BUILD IT

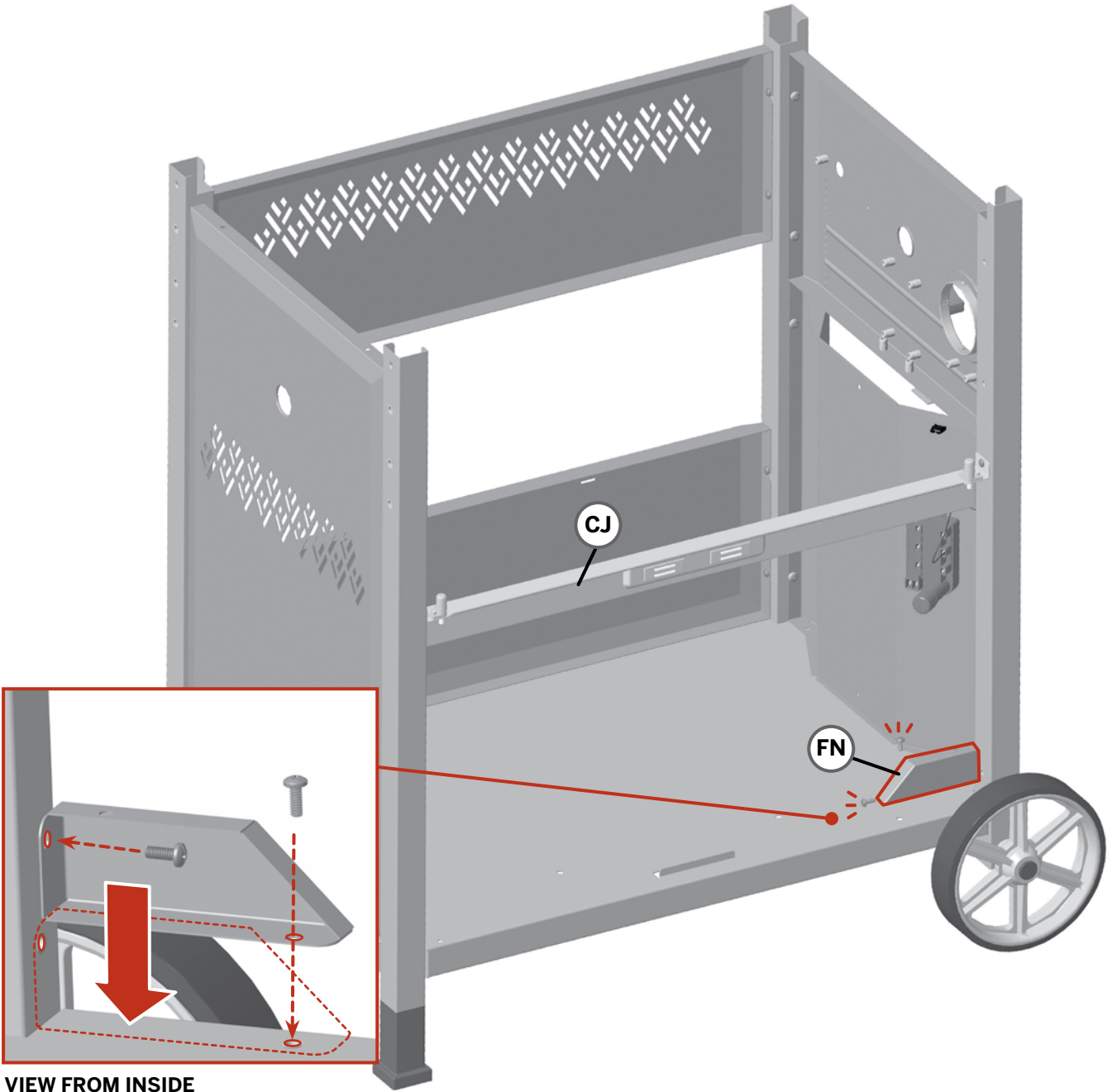
## STEP 4D



Assemble ground wire.

# BUILD IT

## STEP 5



# BUILD IT

## STEP 6A

**PROPANE CUSTOMERS PROCEED TO STEP 6B**

**FOR NATURAL GAS CONVERSION CUSTOMERS ONLY**

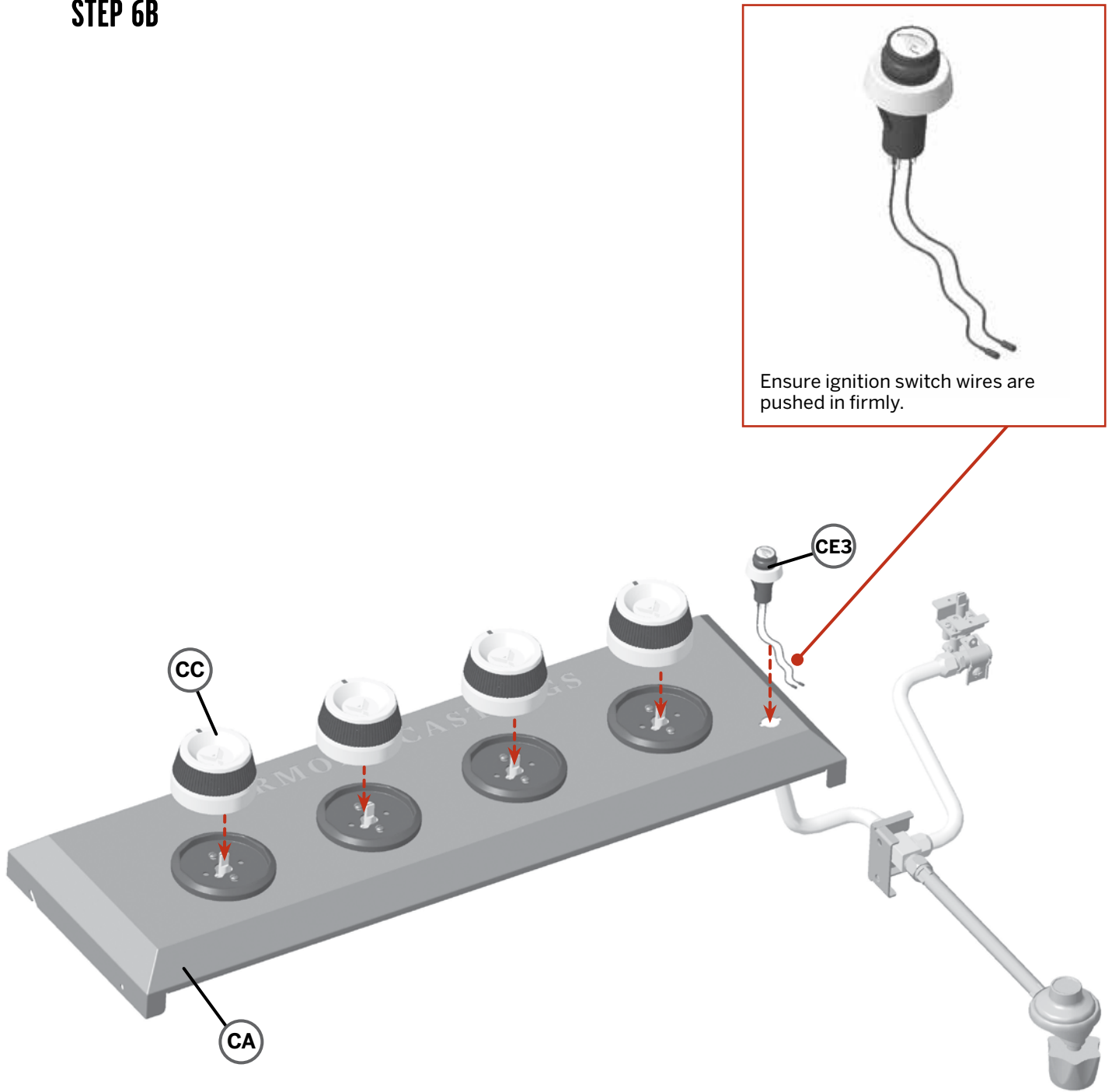
You will need a **Convertible Valve System Kit (Model 085-2261-4)** in this step.



# BUILD IT

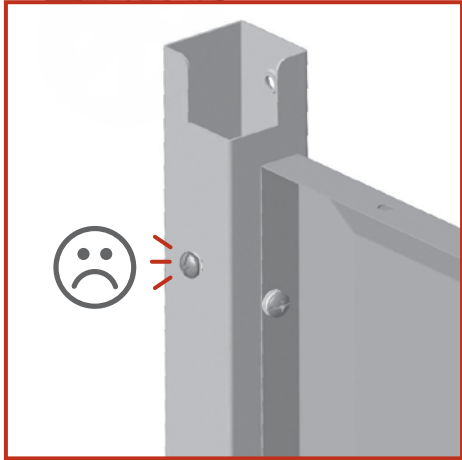
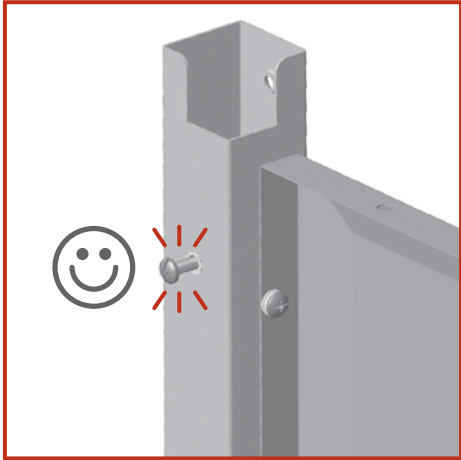
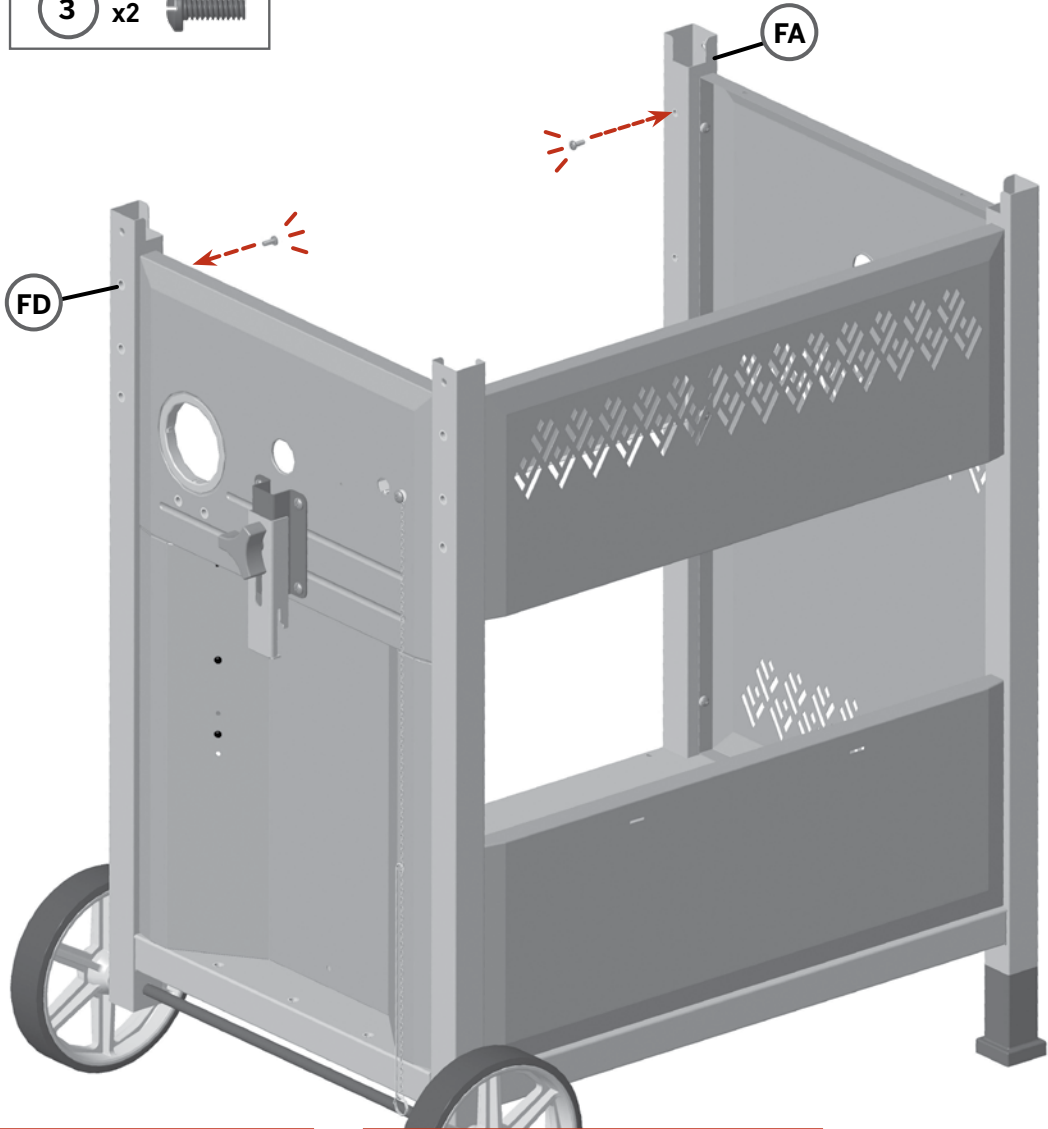
## STEP 6B

BUILD IT



# BUILD IT

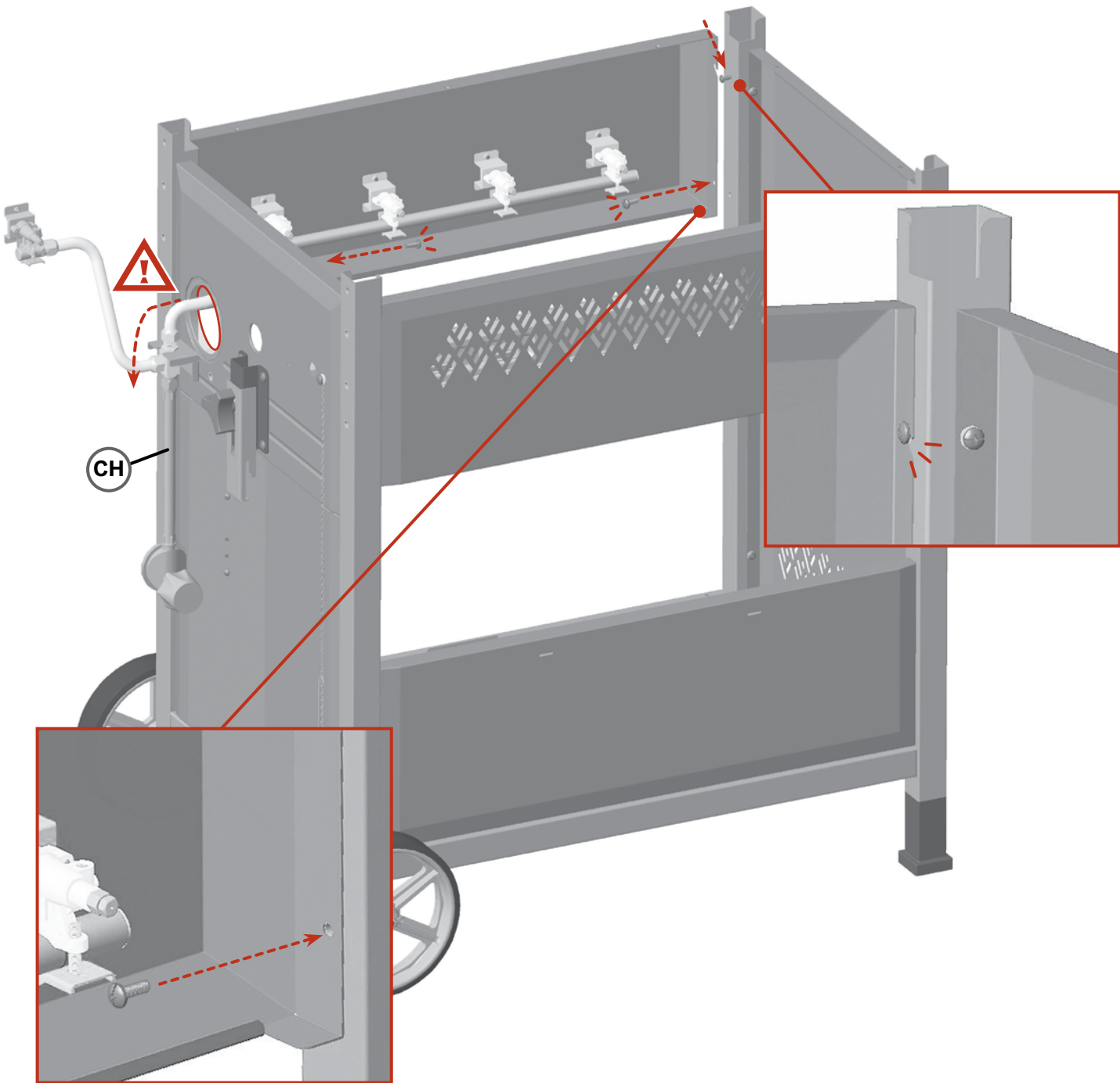
## STEP 6C



BUILD IT

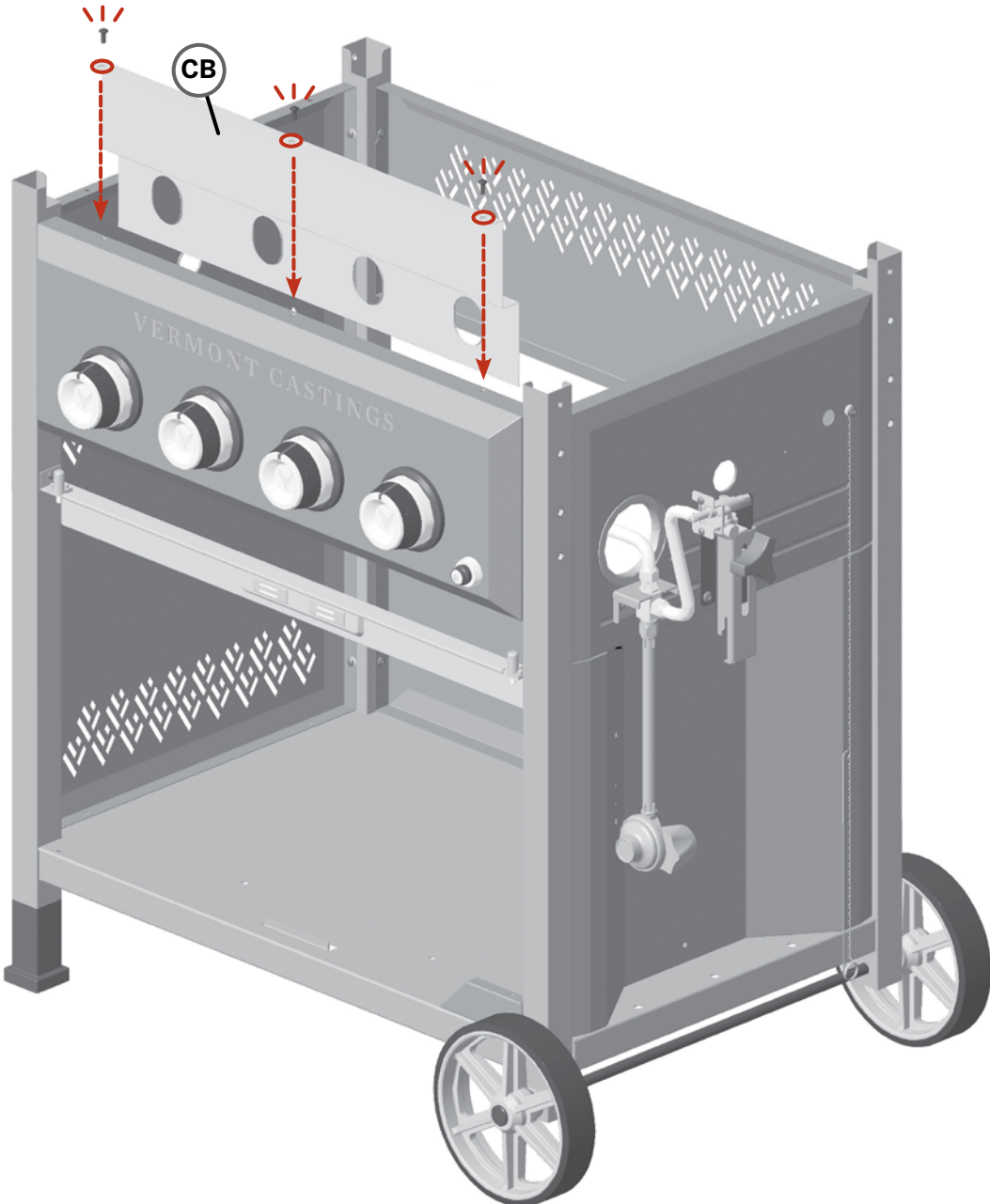
# BUILD IT

## STEP 6D



# BUILD IT

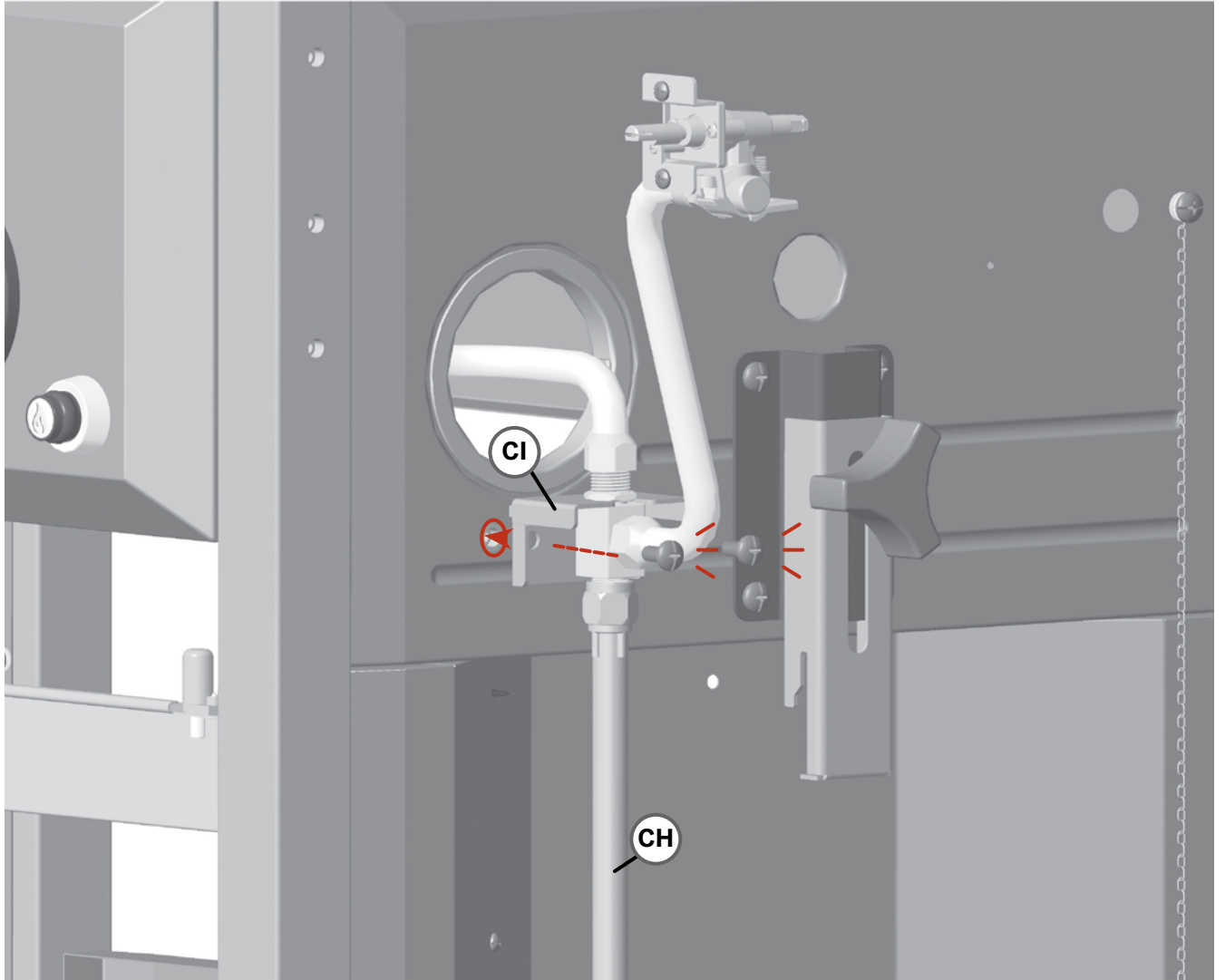
## STEP 6E



BUILD IT

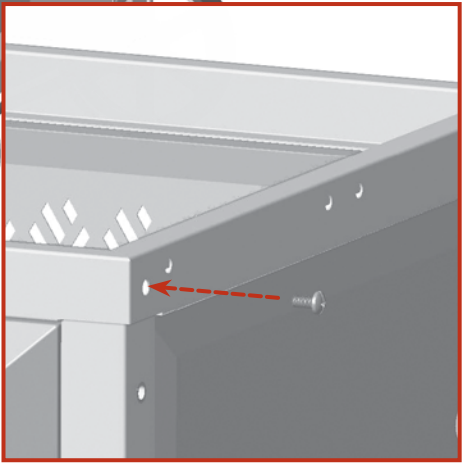
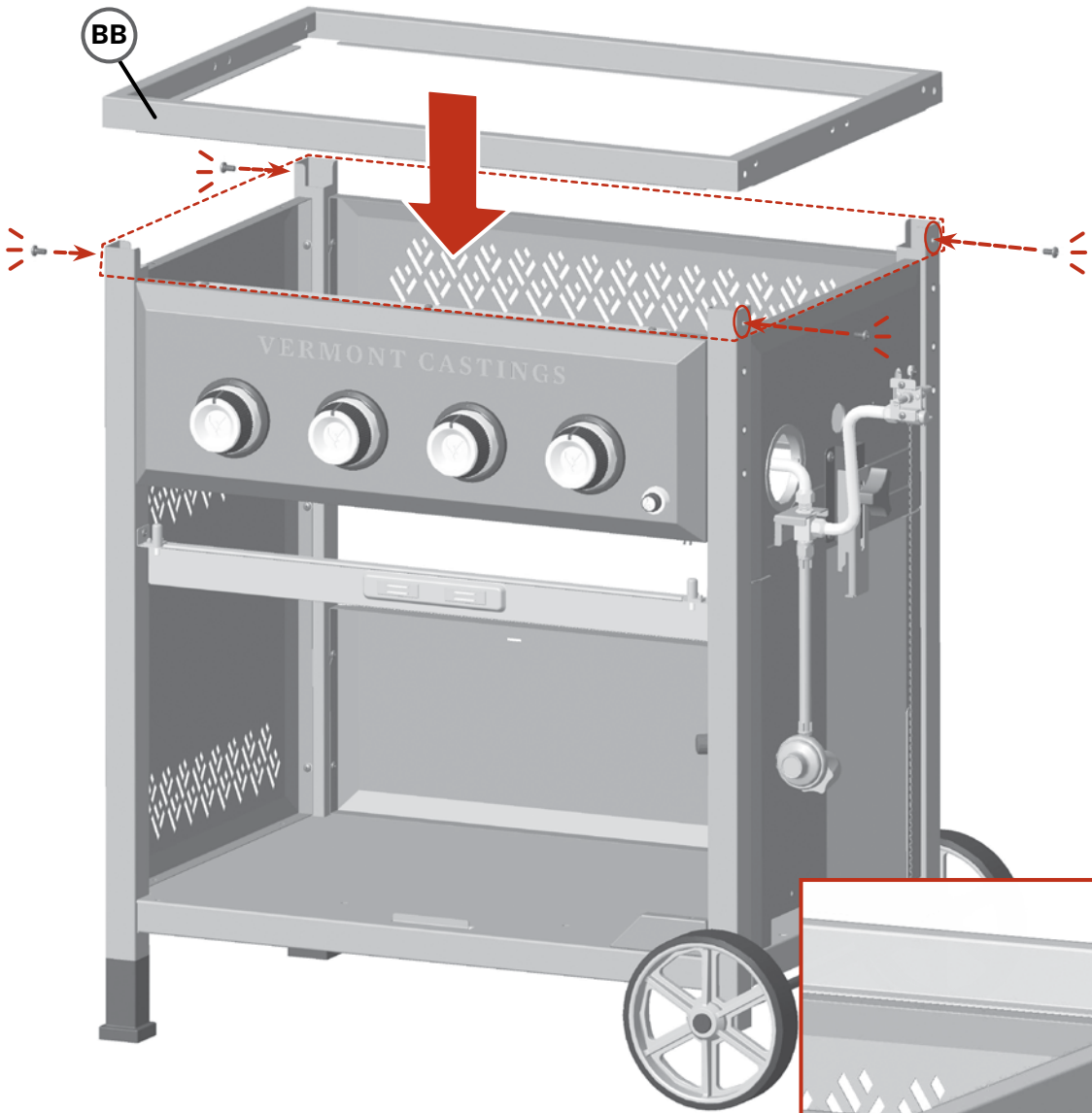
# BUILD IT

## STEP 7



# BUILD IT

## STEP 8

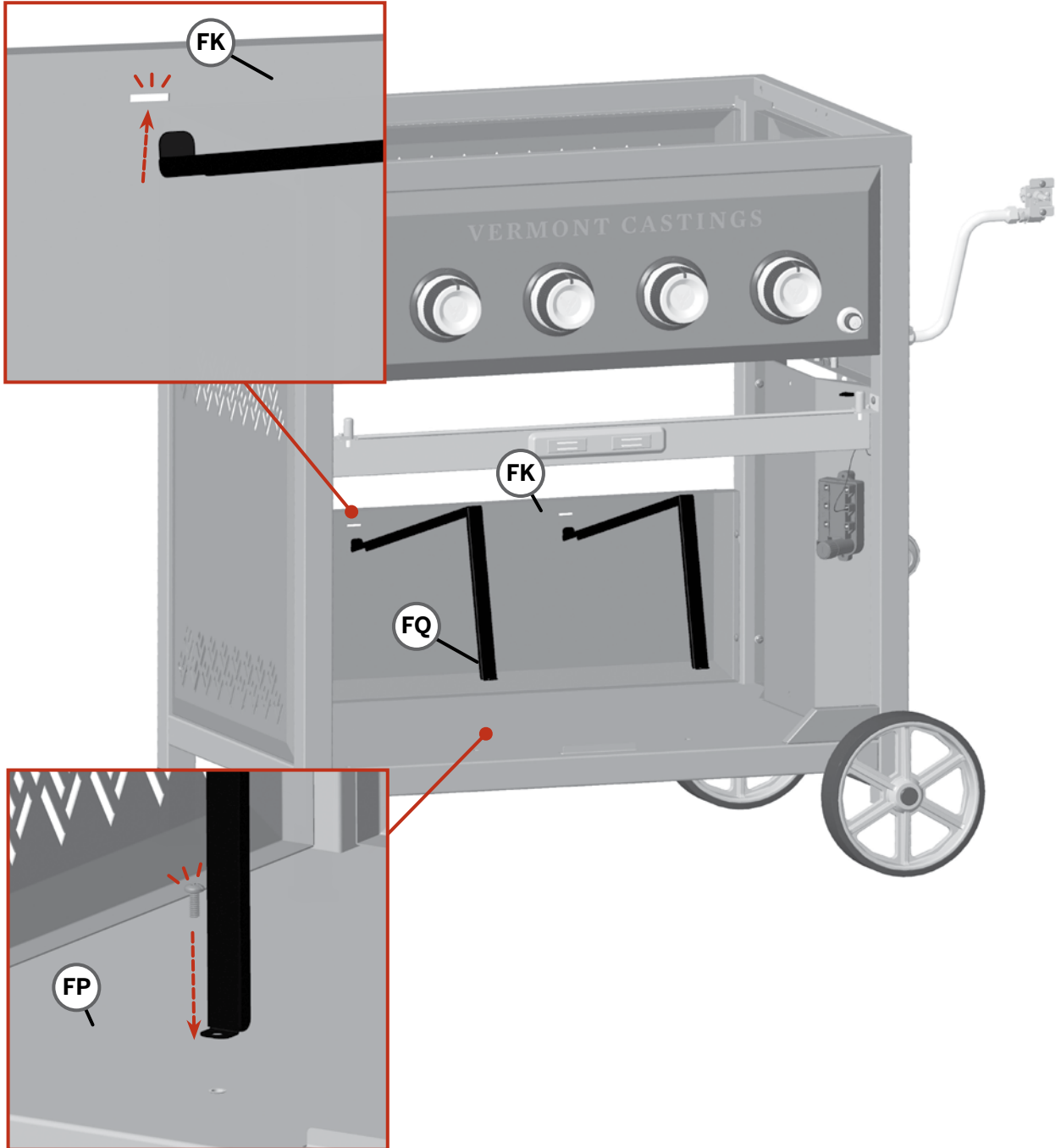


# BUILD IT

## STEP 9

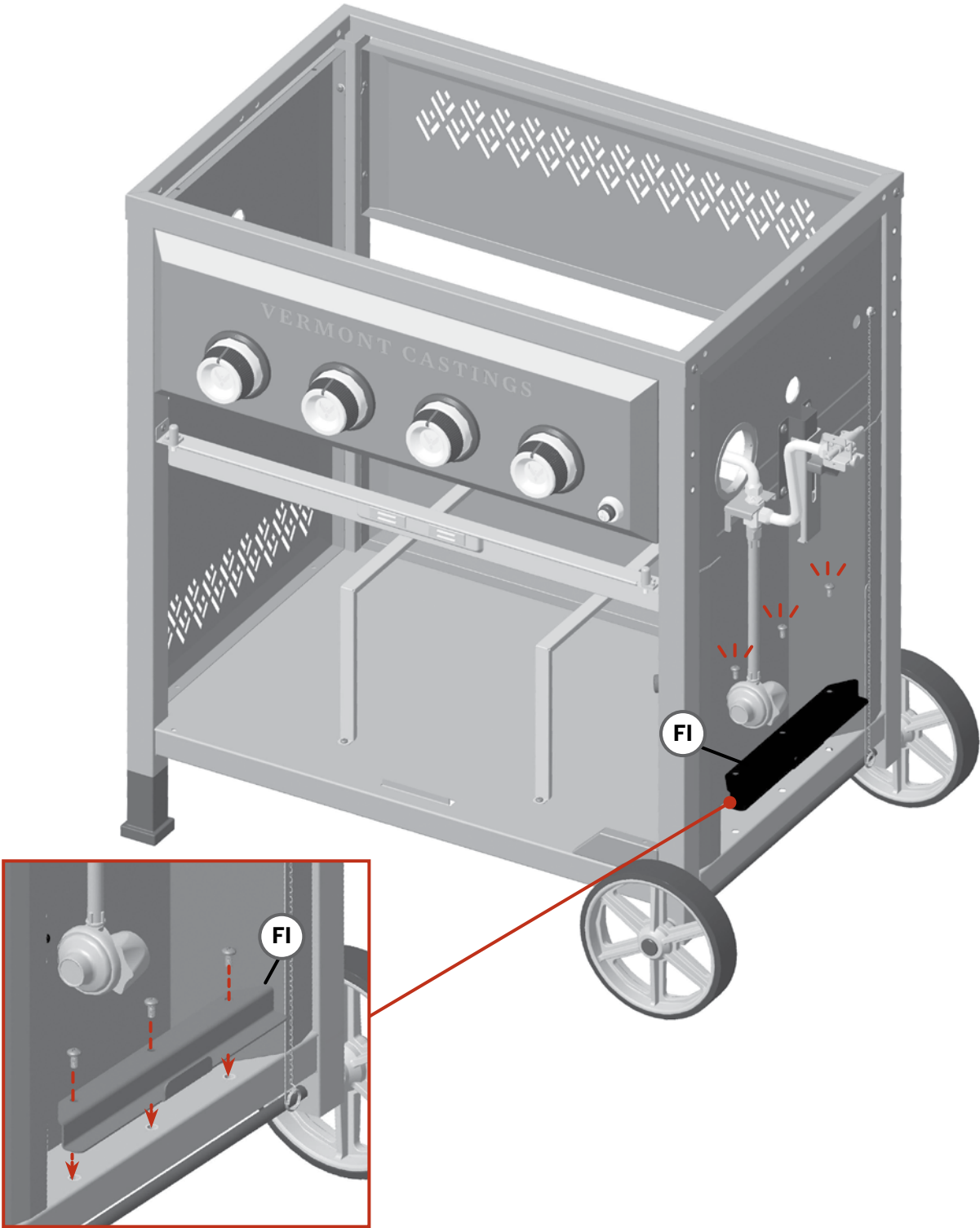


Bend brace upward to enter locator hole in lower back panel



# BUILD IT

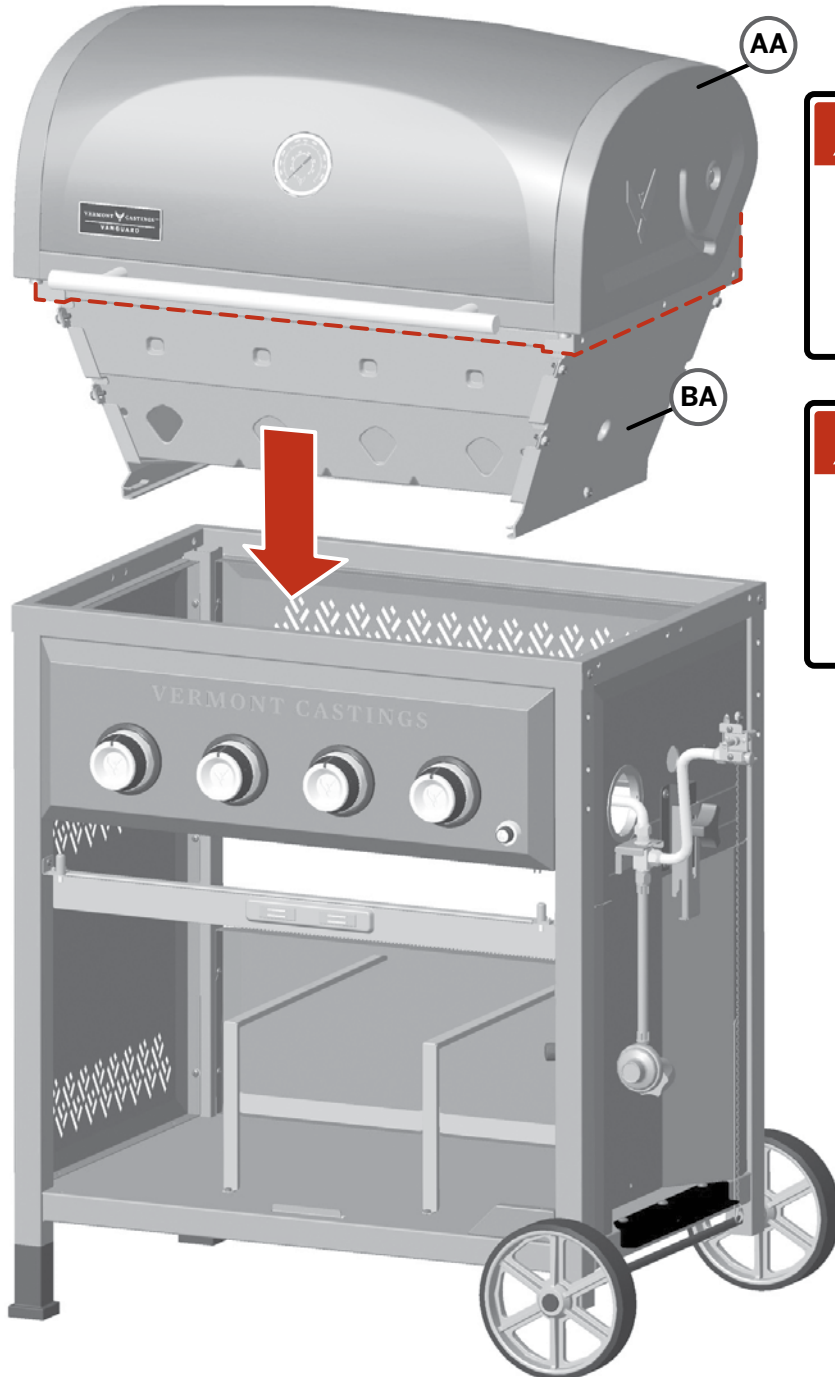
## STEP 10



BUILD IT

# BUILD IT

## STEP 11



**SAFETY FIRST**



**WATCH YOUR  
HANDS AND  
FINGERS**

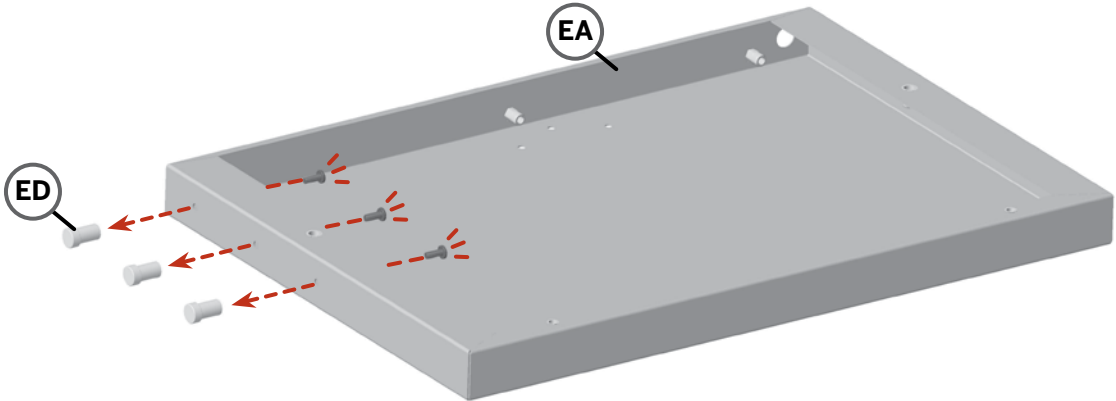
**DANGER**

**27 KG  
60 LBS**

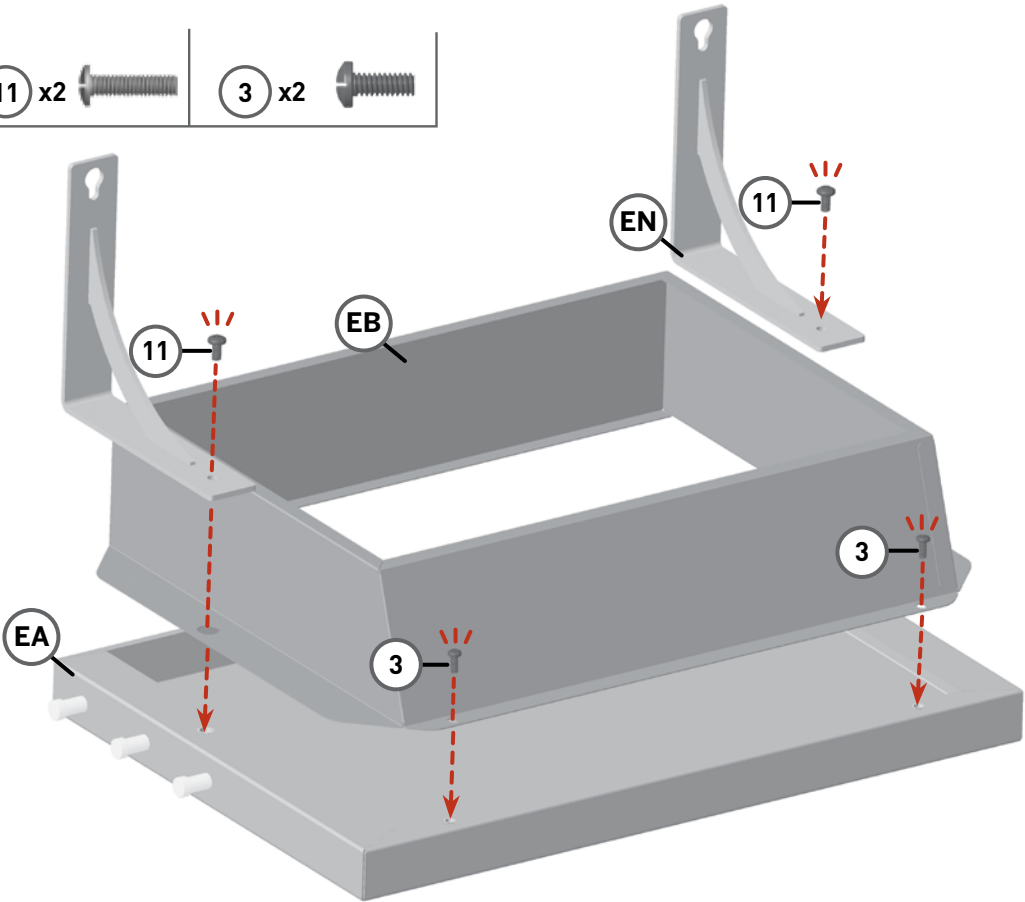
**HEAVY.  
LIFT WITH  
CARE**

# BUILD IT

## STEP 12A

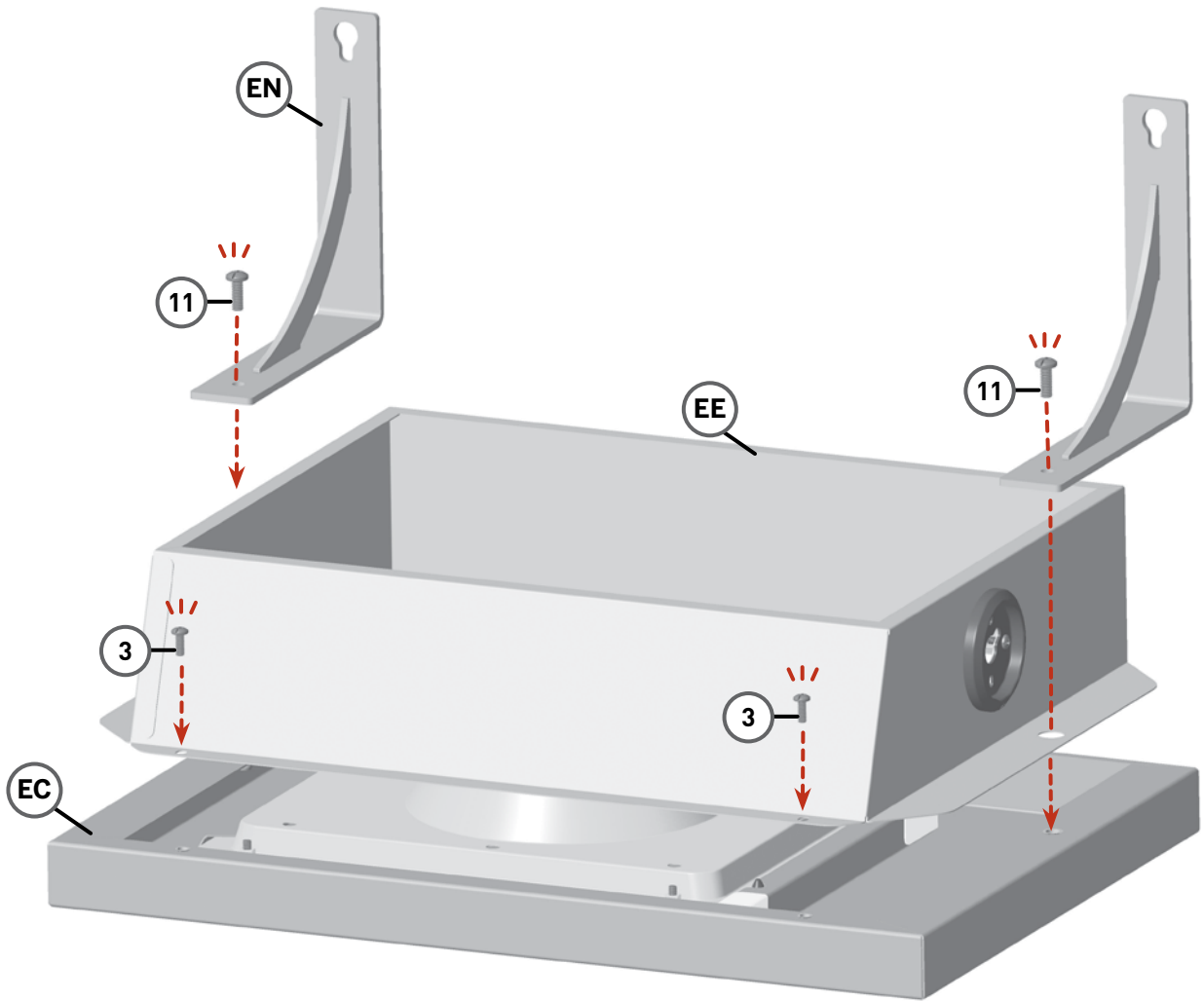
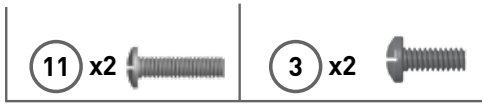


## STEP 12B



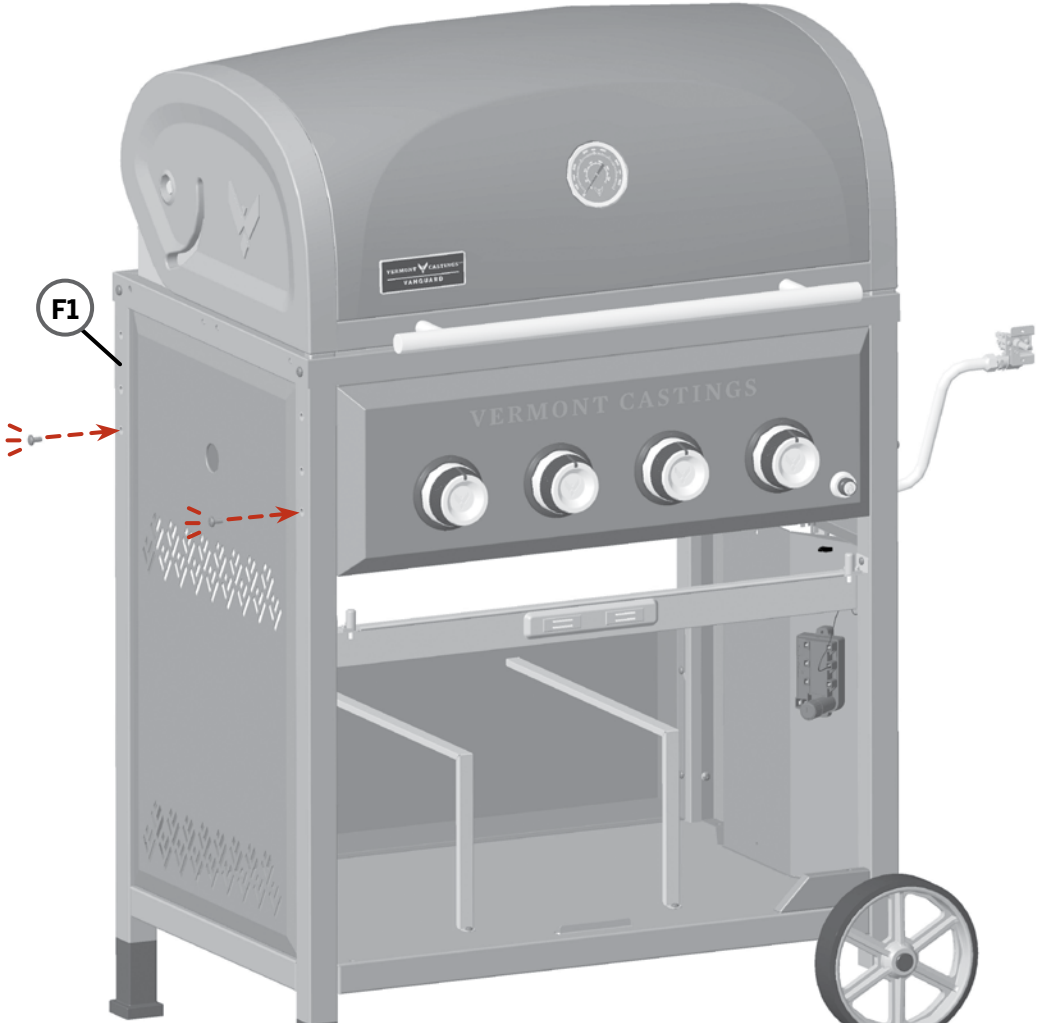
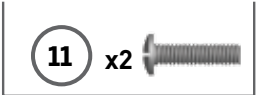
# BUILD IT

## STEP 12C



# BUILD IT

## STEP 13A

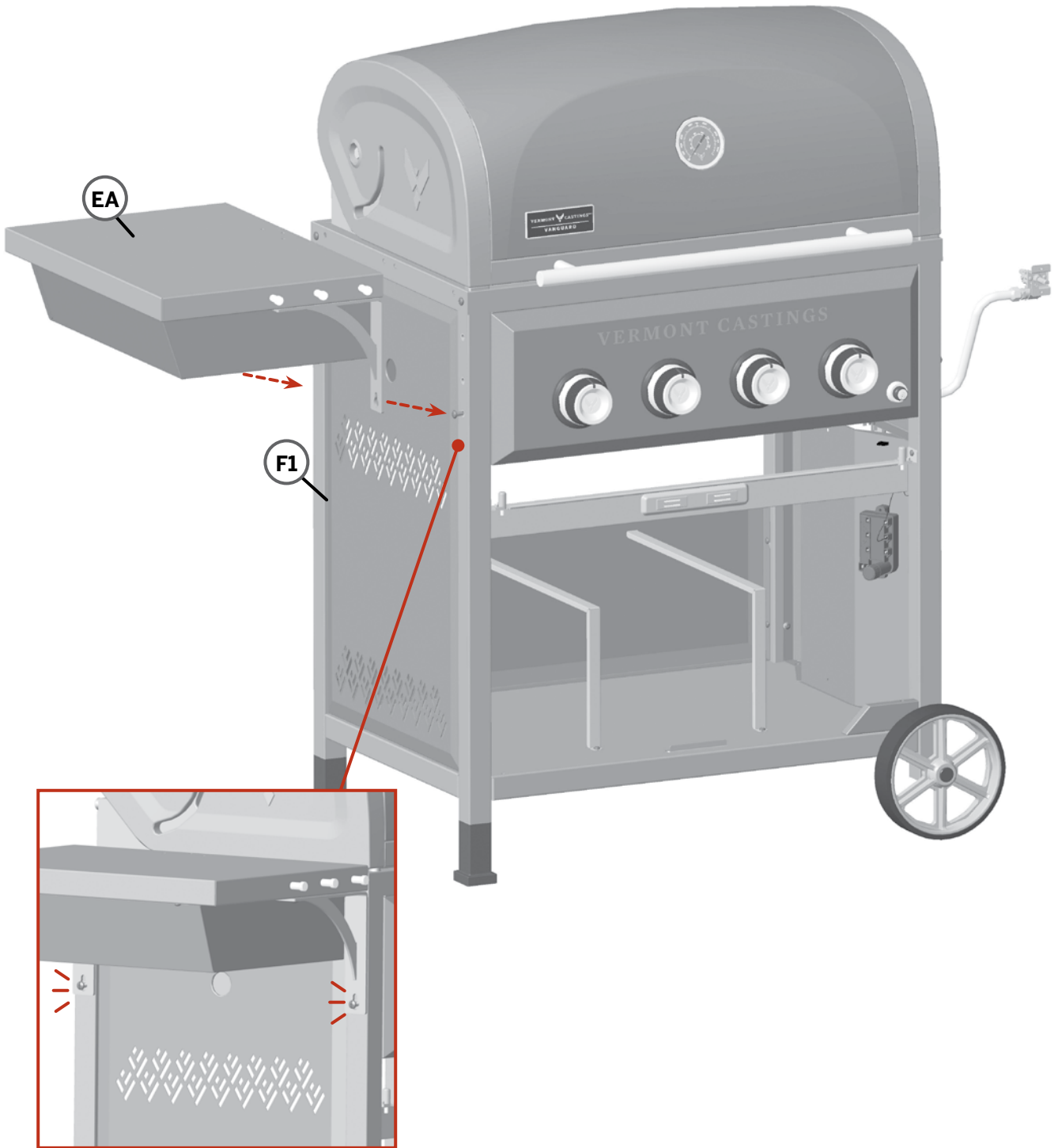


BUILD IT

# BUILD IT

## STEP 13B

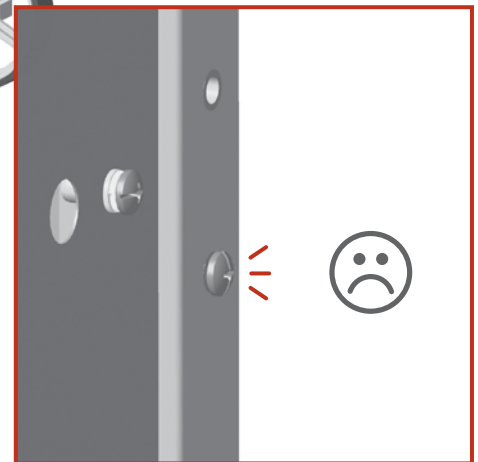
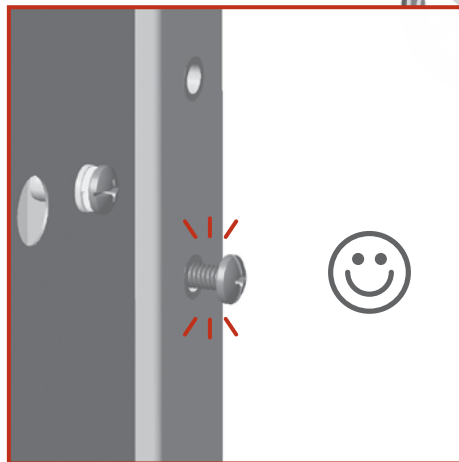
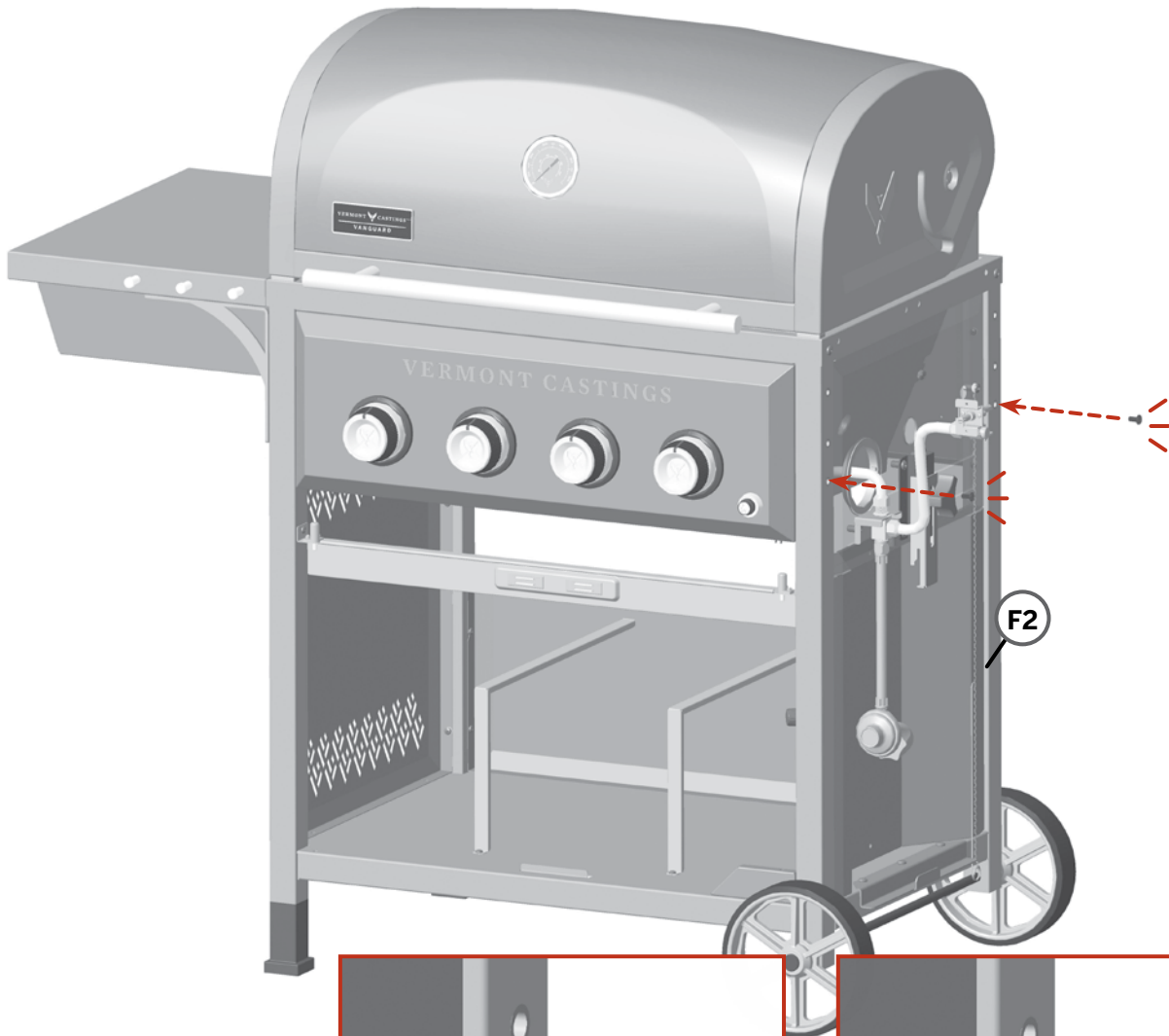
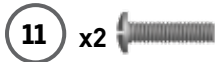
BUILD IT



MODEL No. 085-3156-0/G54001

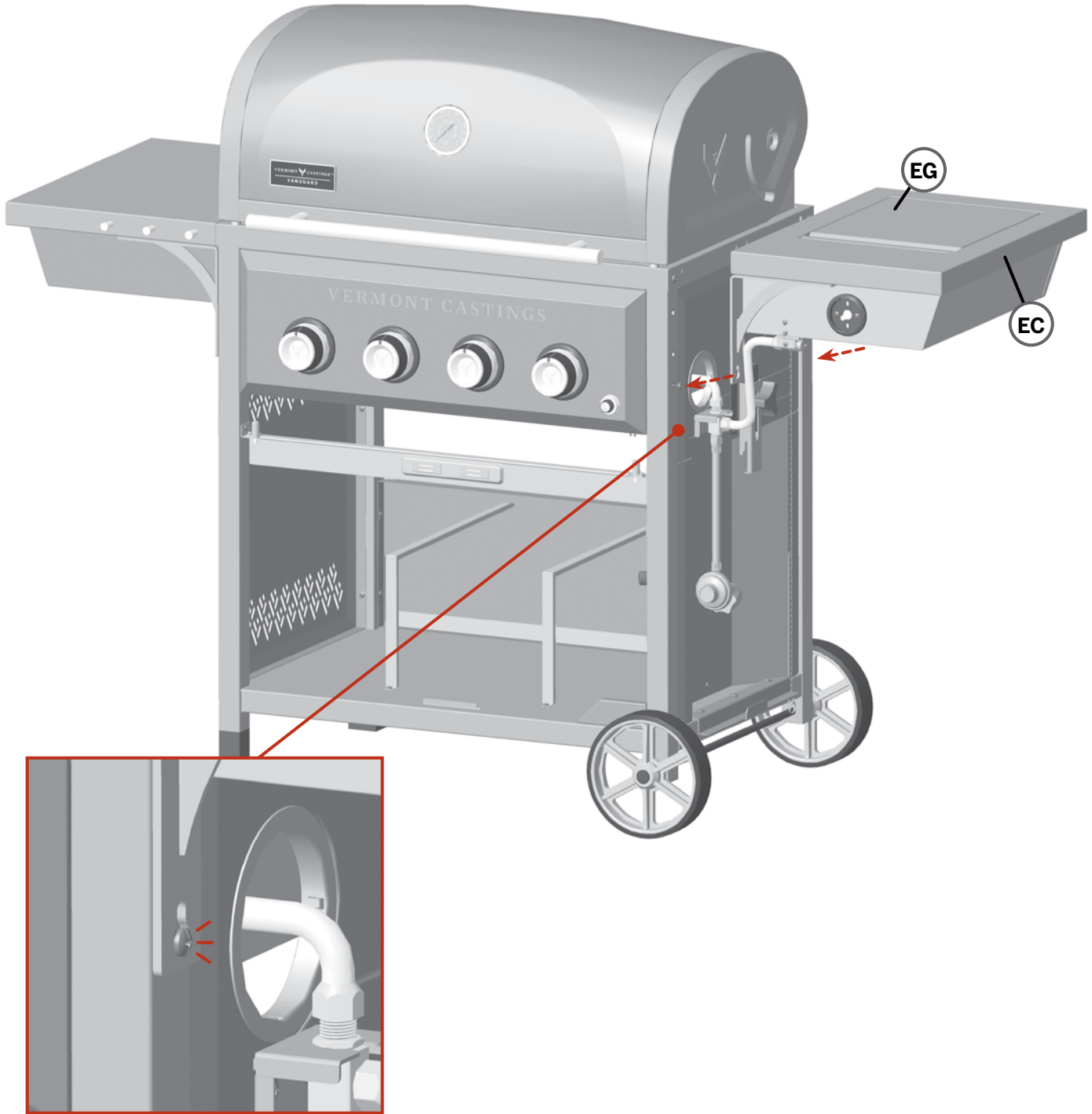
# BUILD IT

## STEP 13C



# BUILD IT

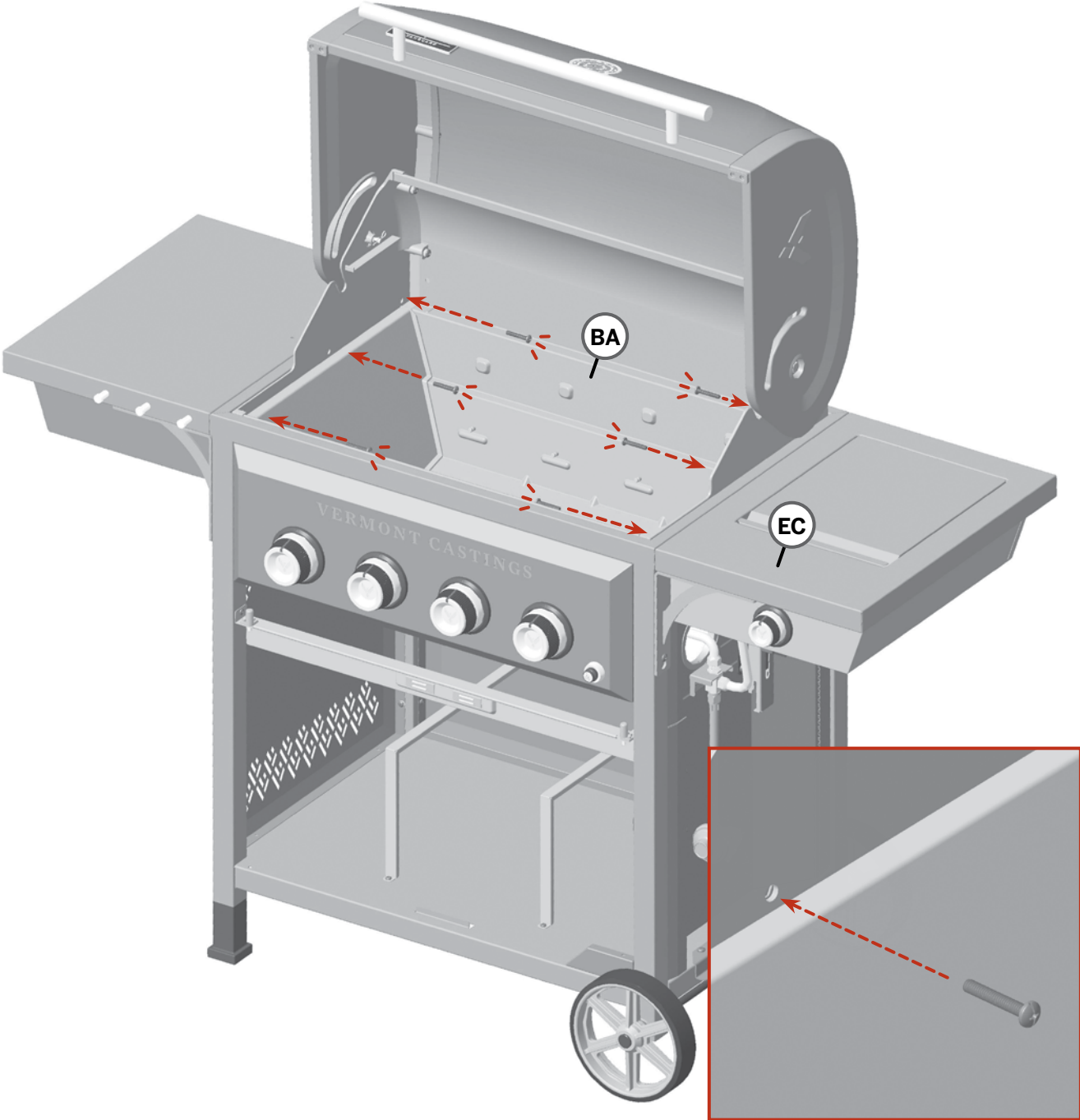
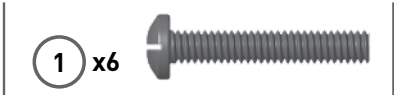
## STEP 13D



MODEL No. 085-3156-0/G54001

# BUILD IT

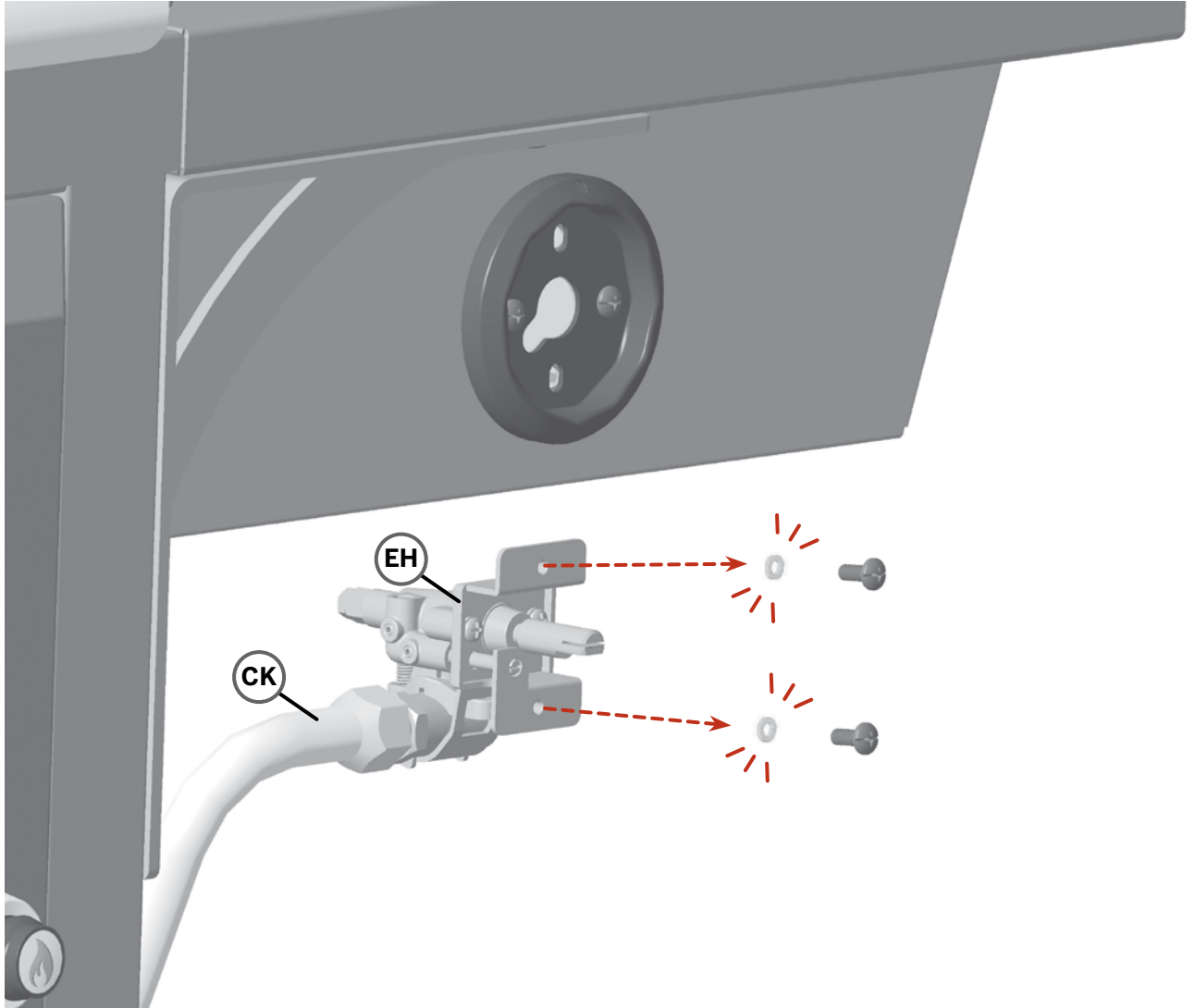
## STEP 13E



BUILD IT

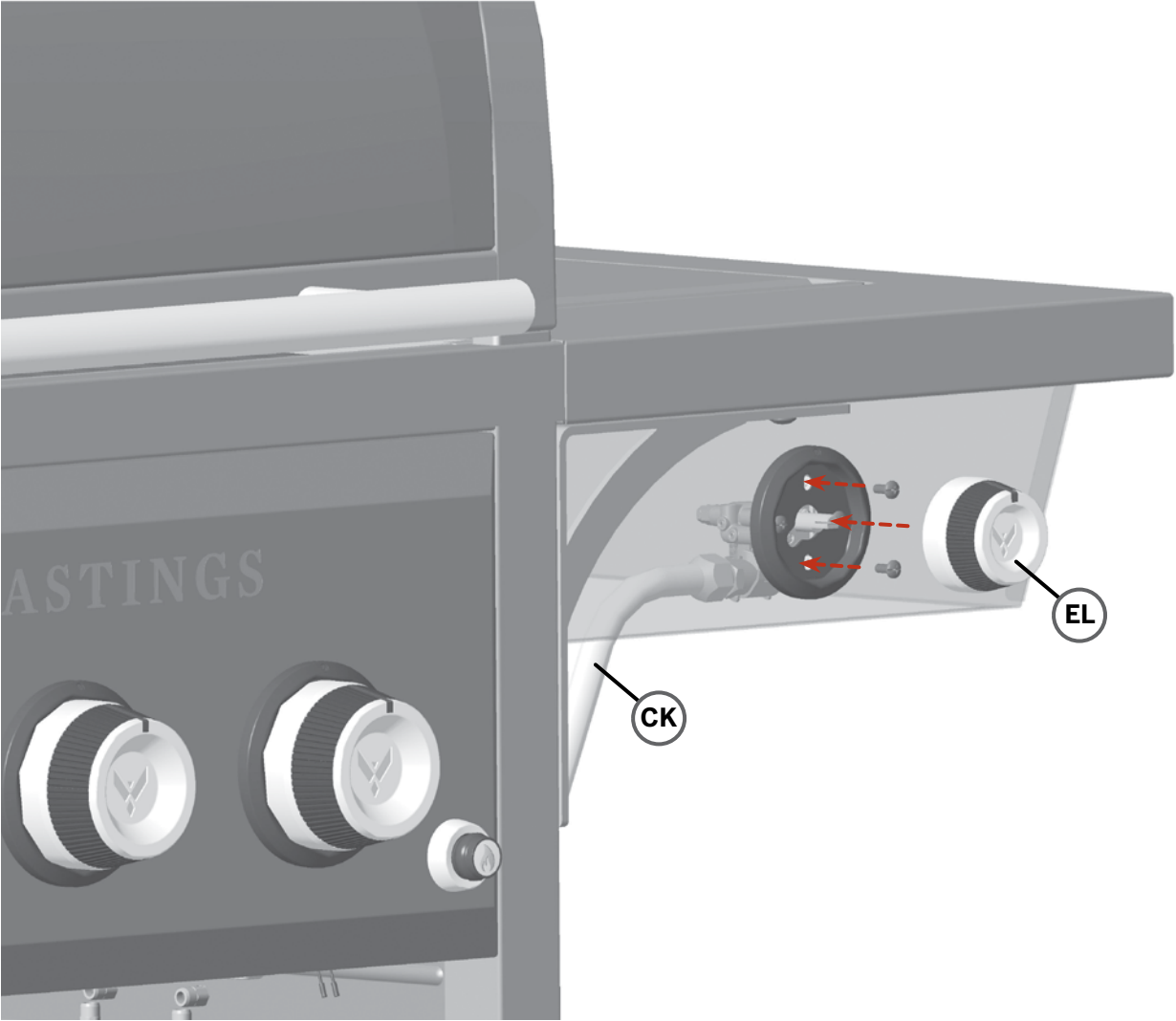
# BUILD IT

**STEP 13F** Remove hardware from the valve.



# BUILD IT

## STEP 13G



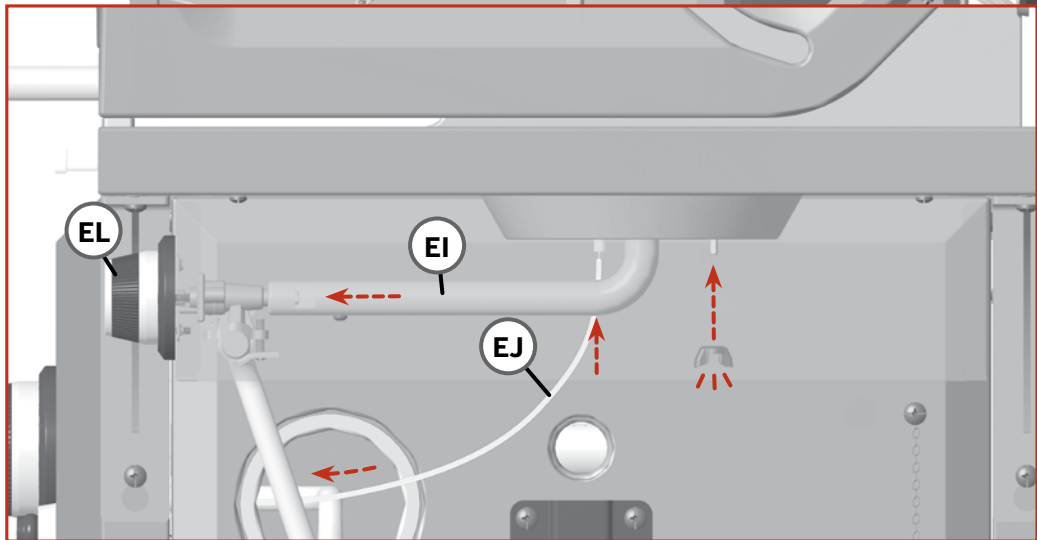
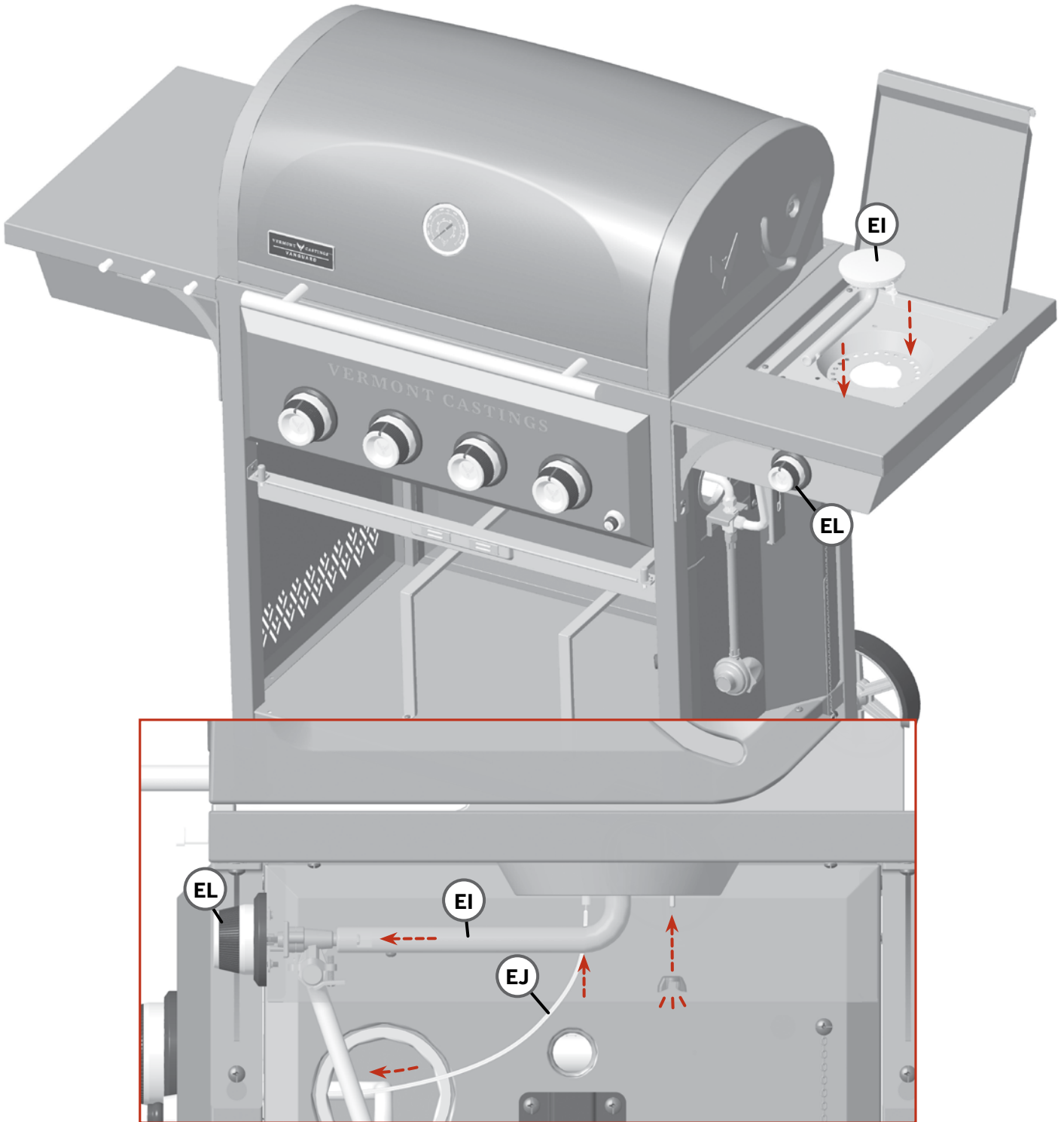
BUILD IT

# BUILD IT

## STEP 13H

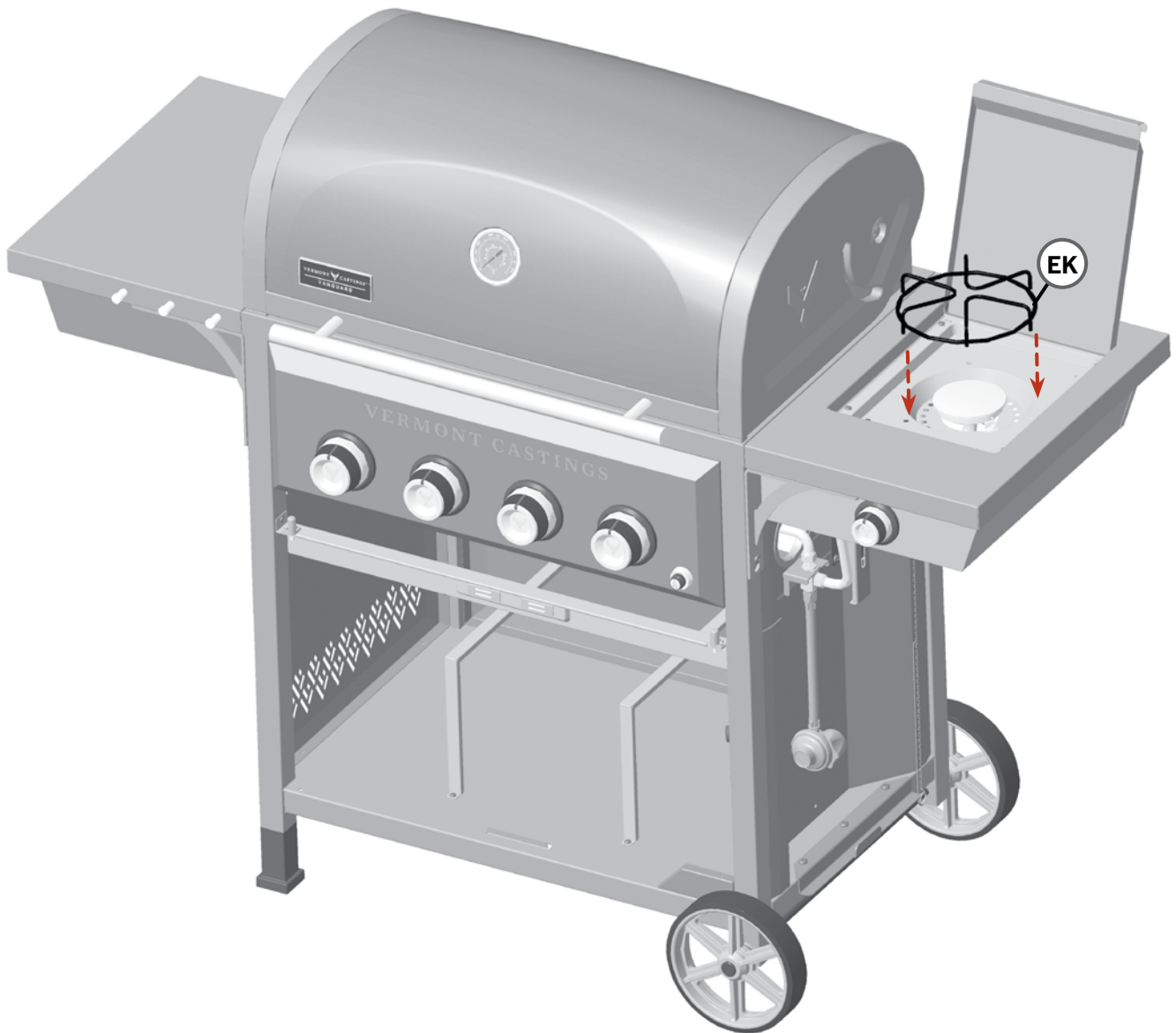


BUILD IT



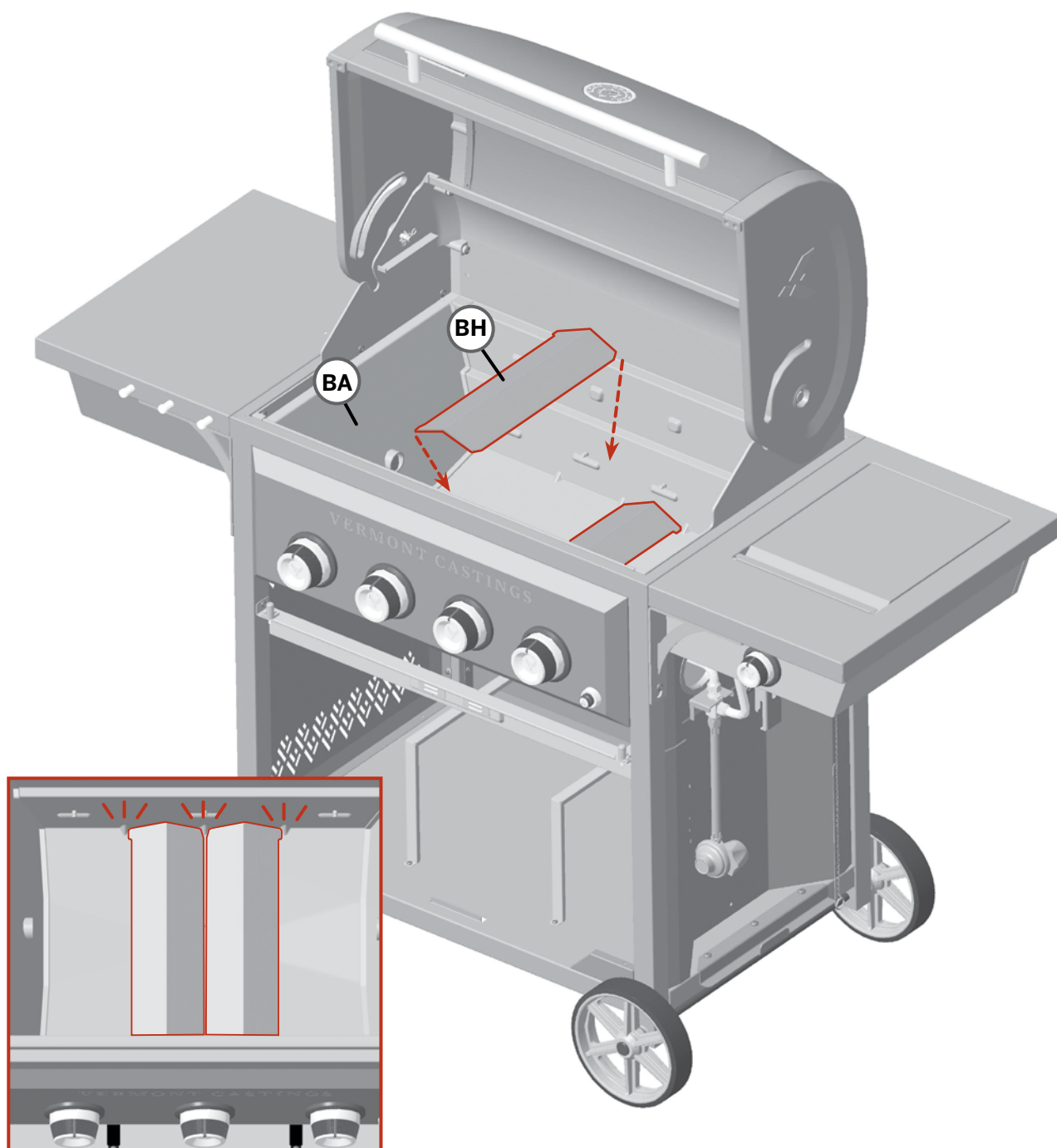
# BUILD IT

## STEP 13I



# BUILD IT

## STEP 14



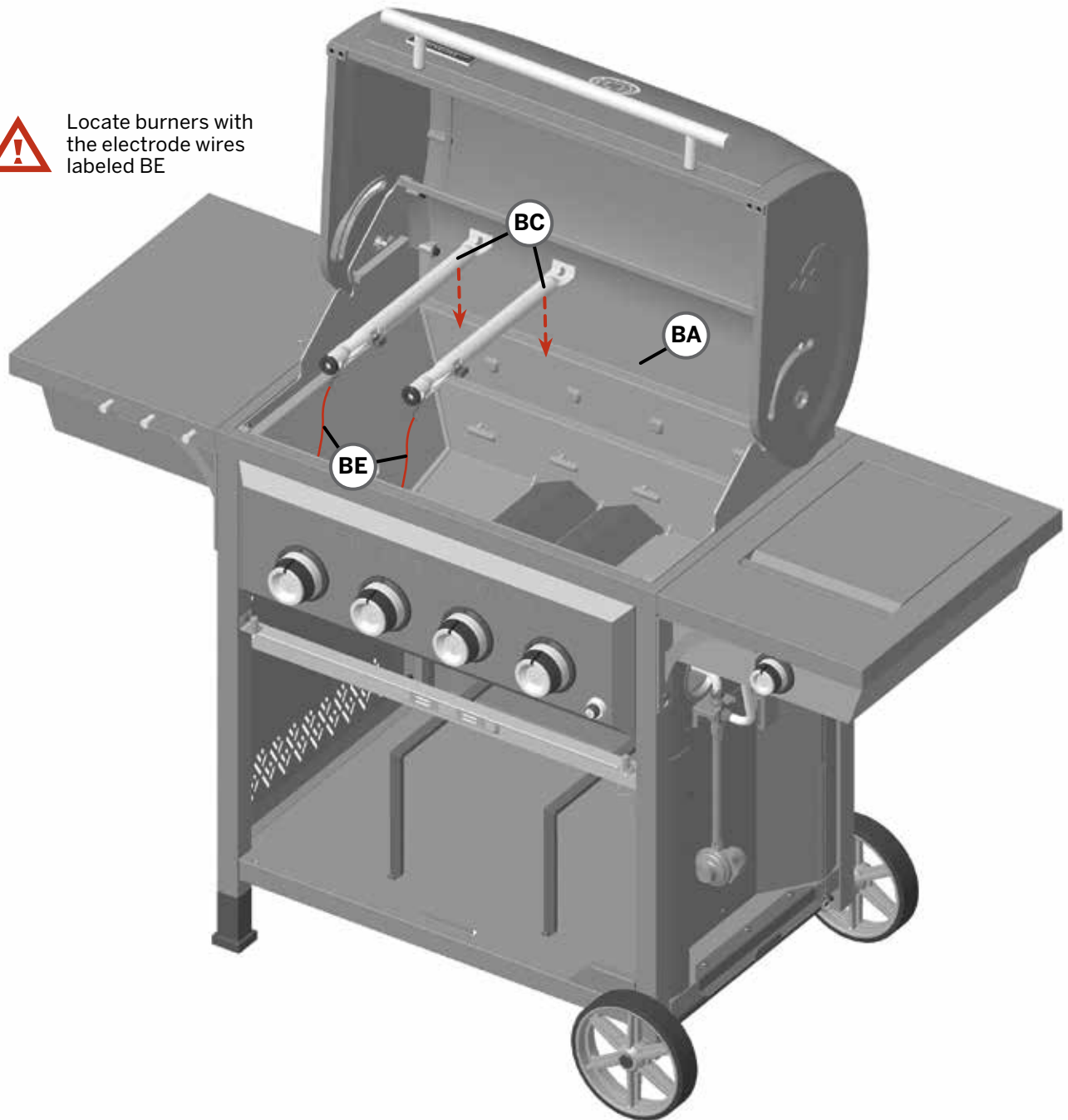
MODEL No. 085-3156-0/G54001

# BUILD IT

## STEP 15A

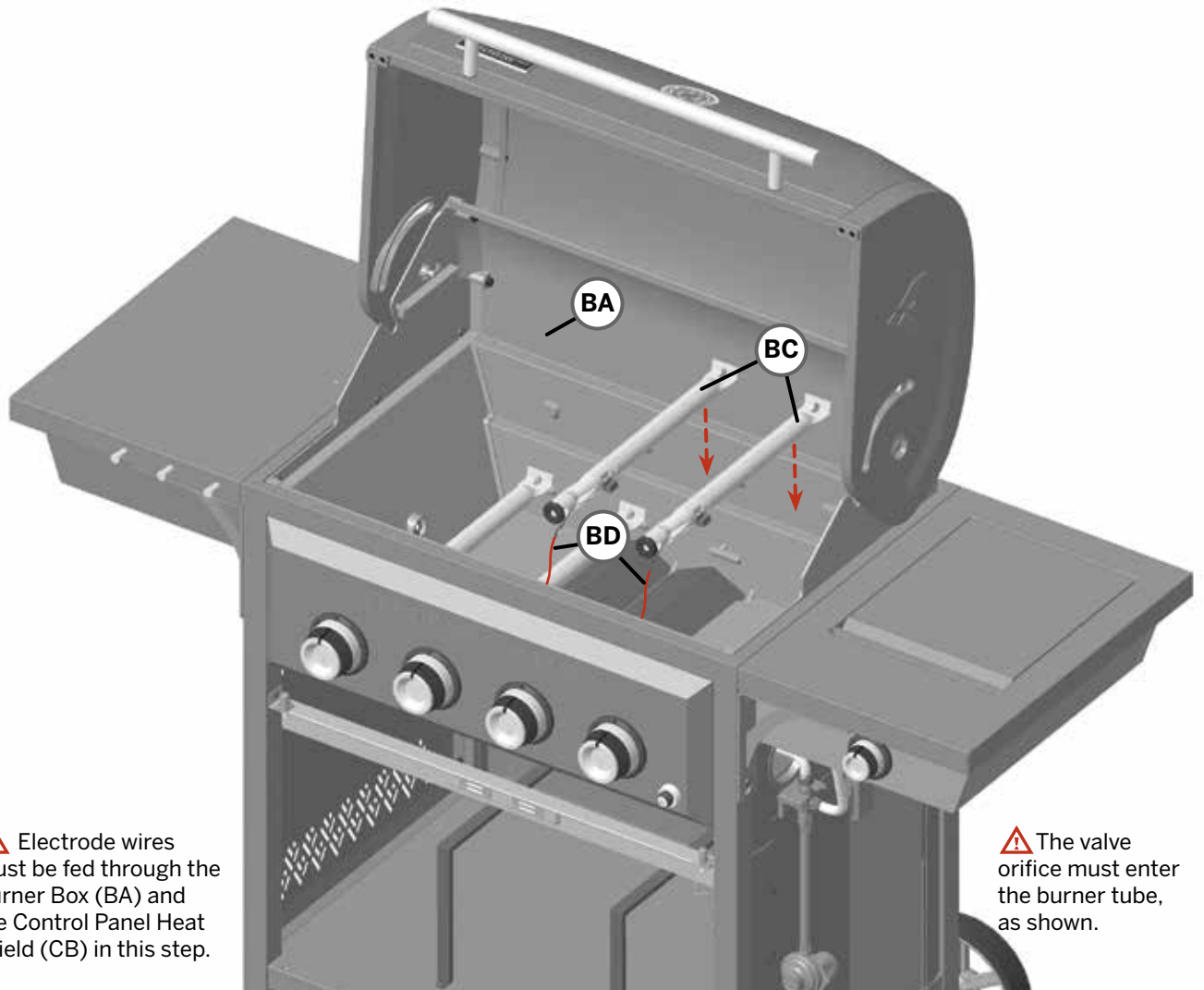


Locate burners with the electrode wires labeled BE



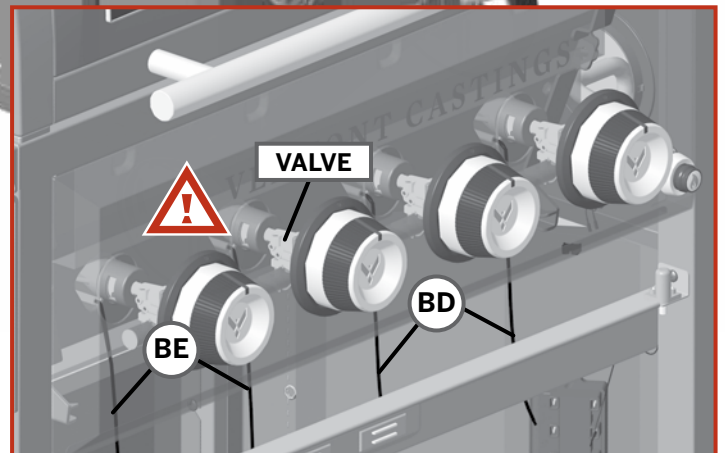
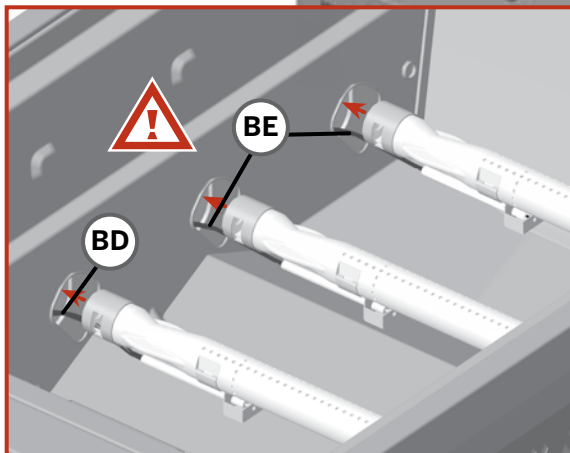
# BUILD IT

## STEP 15B



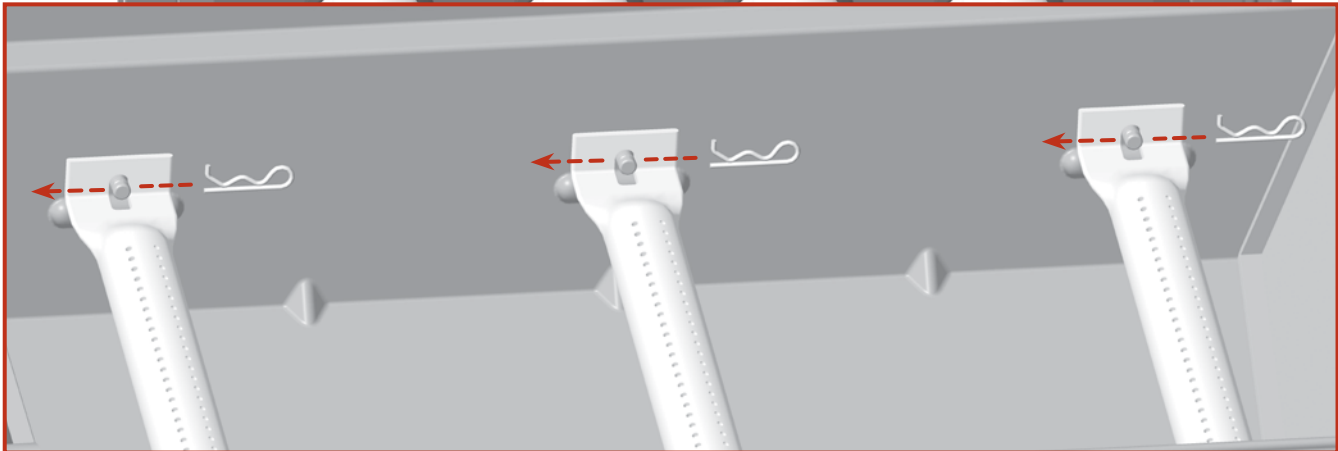
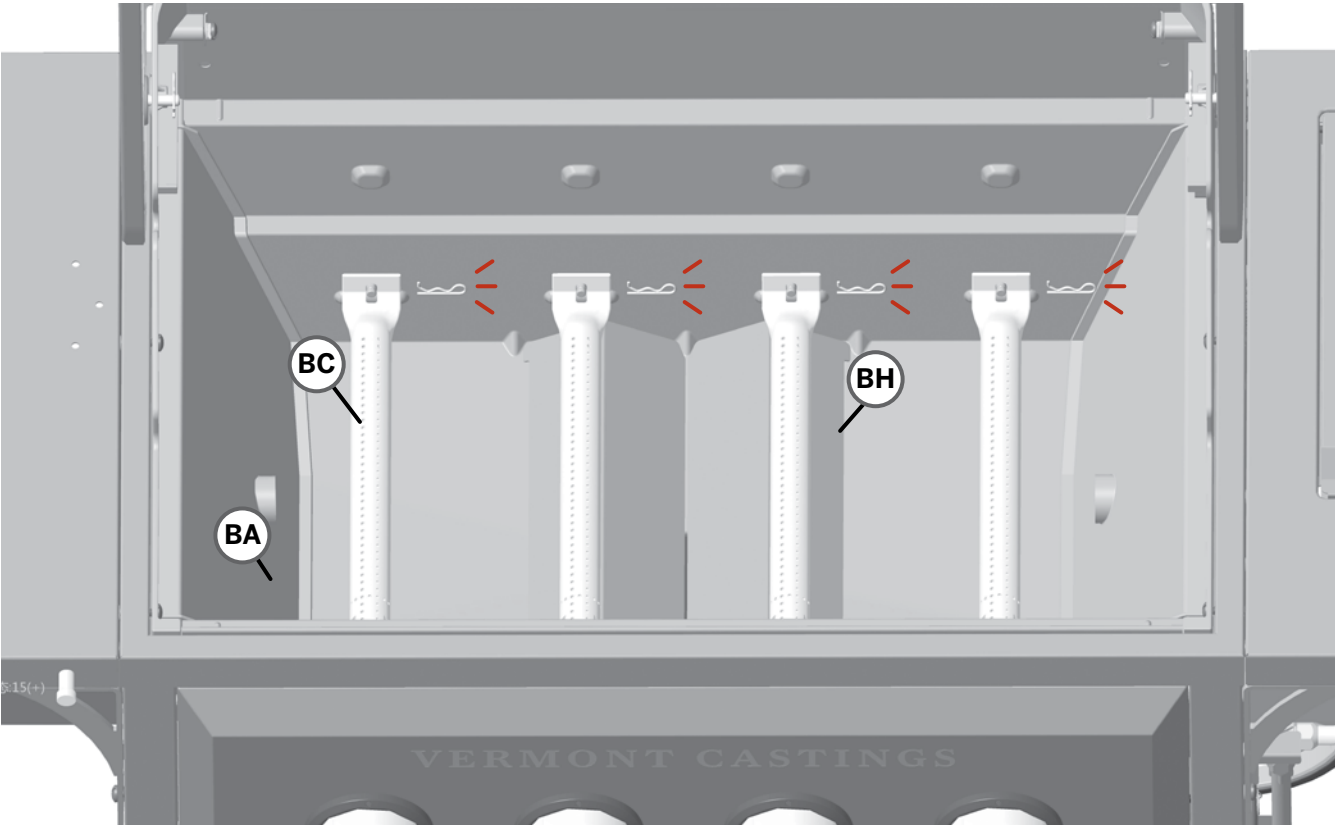
**⚠** Electrode wires must be fed through the Burner Box (BA) and the Control Panel Heat shield (CB) in this step.

**⚠** The valve orifice must enter the burner tube, as shown.



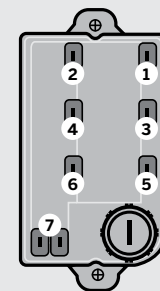
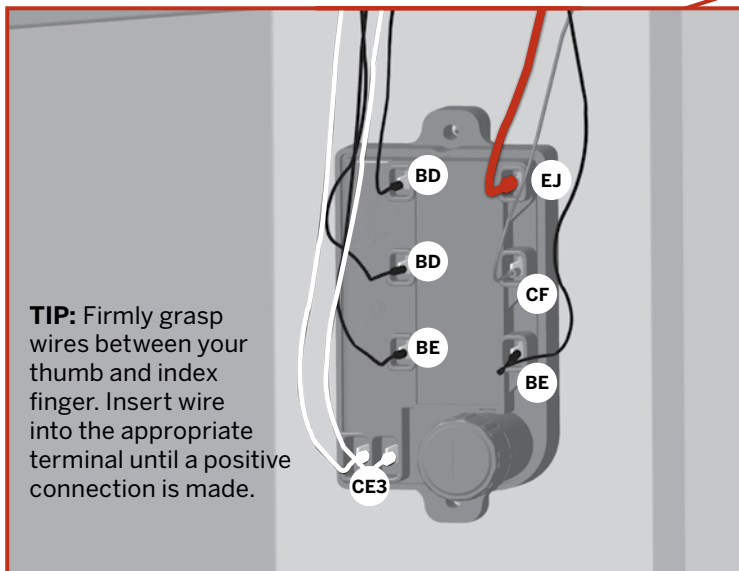
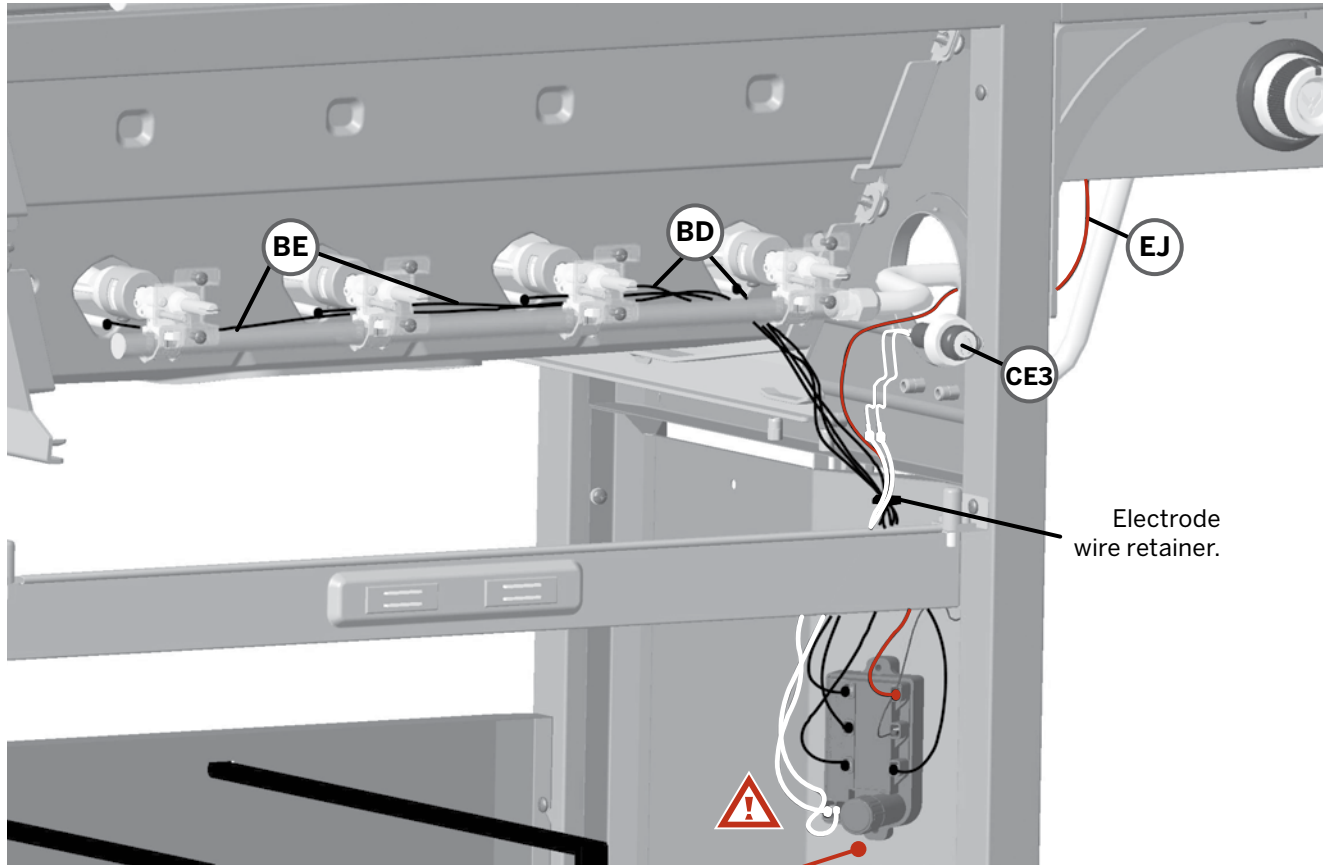
# BUILD IT

## STEP 15C




# BUILD IT

## STEP 15D



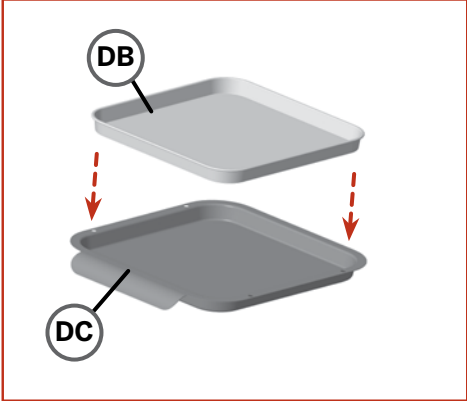
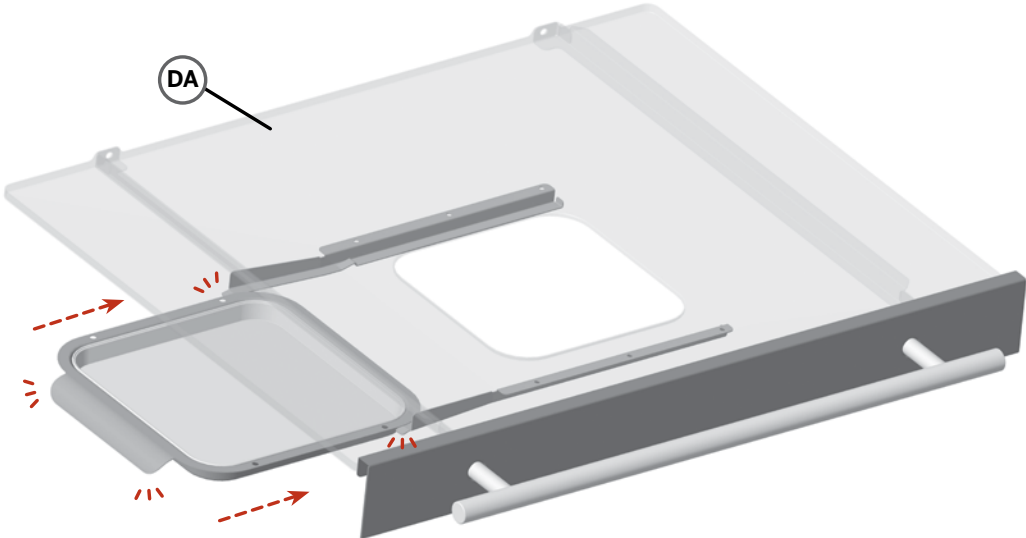
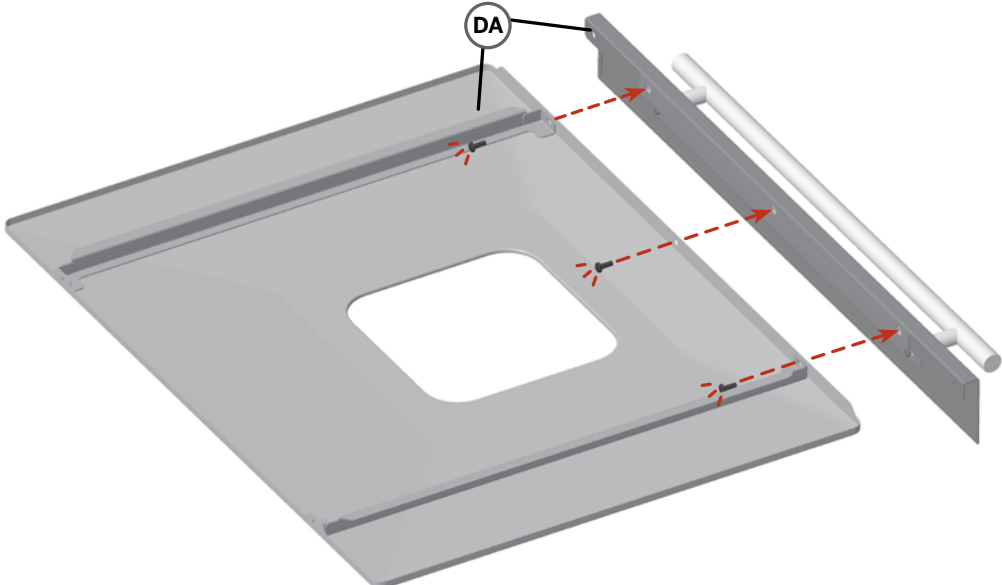
Ensure all electrode wires are inserted into the correct terminal as shown in diagram

- |      |   |
|------|---|
| 1    | Side burner electrode - EJ  |
| 2, 4 | Main electrode - BD   |
| 3    | Ground wire - CF  |
| 5, 6 | Main electrode - BE   |
| 7    | Ignition switch - CE3  |

# BUILD IT

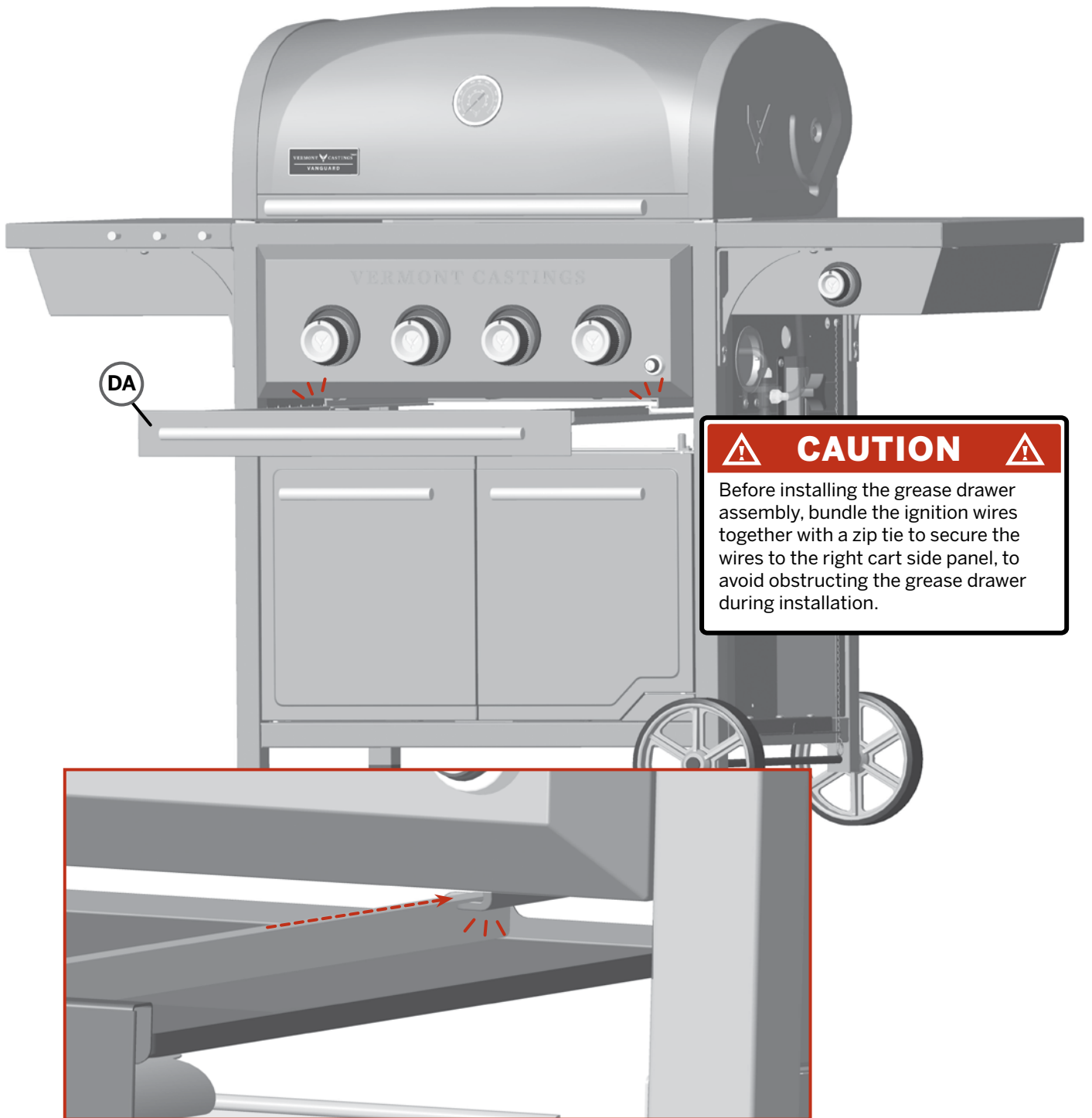
## STEP 16A

3 x3 



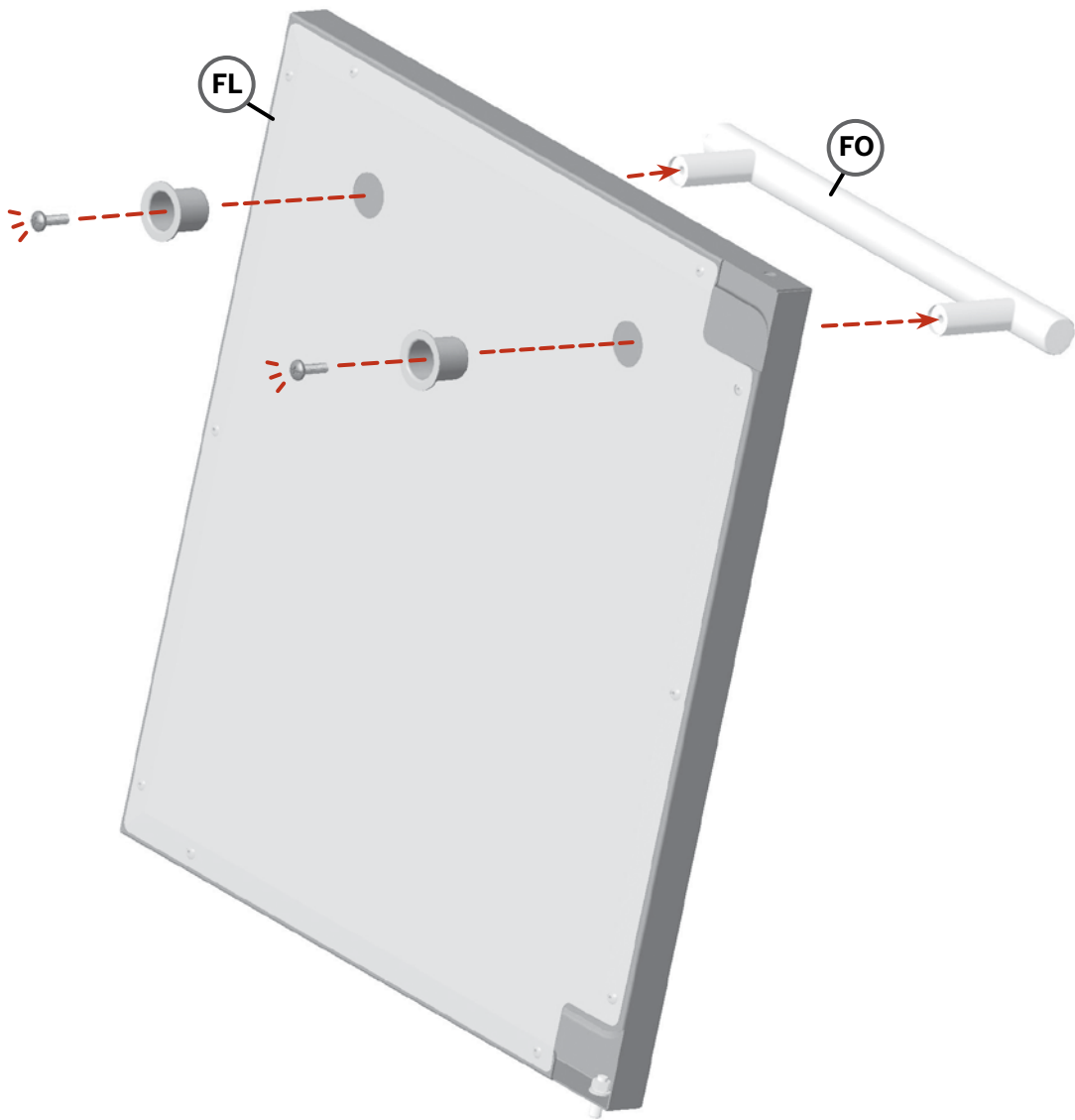
# BUILD IT

## STEP 16B



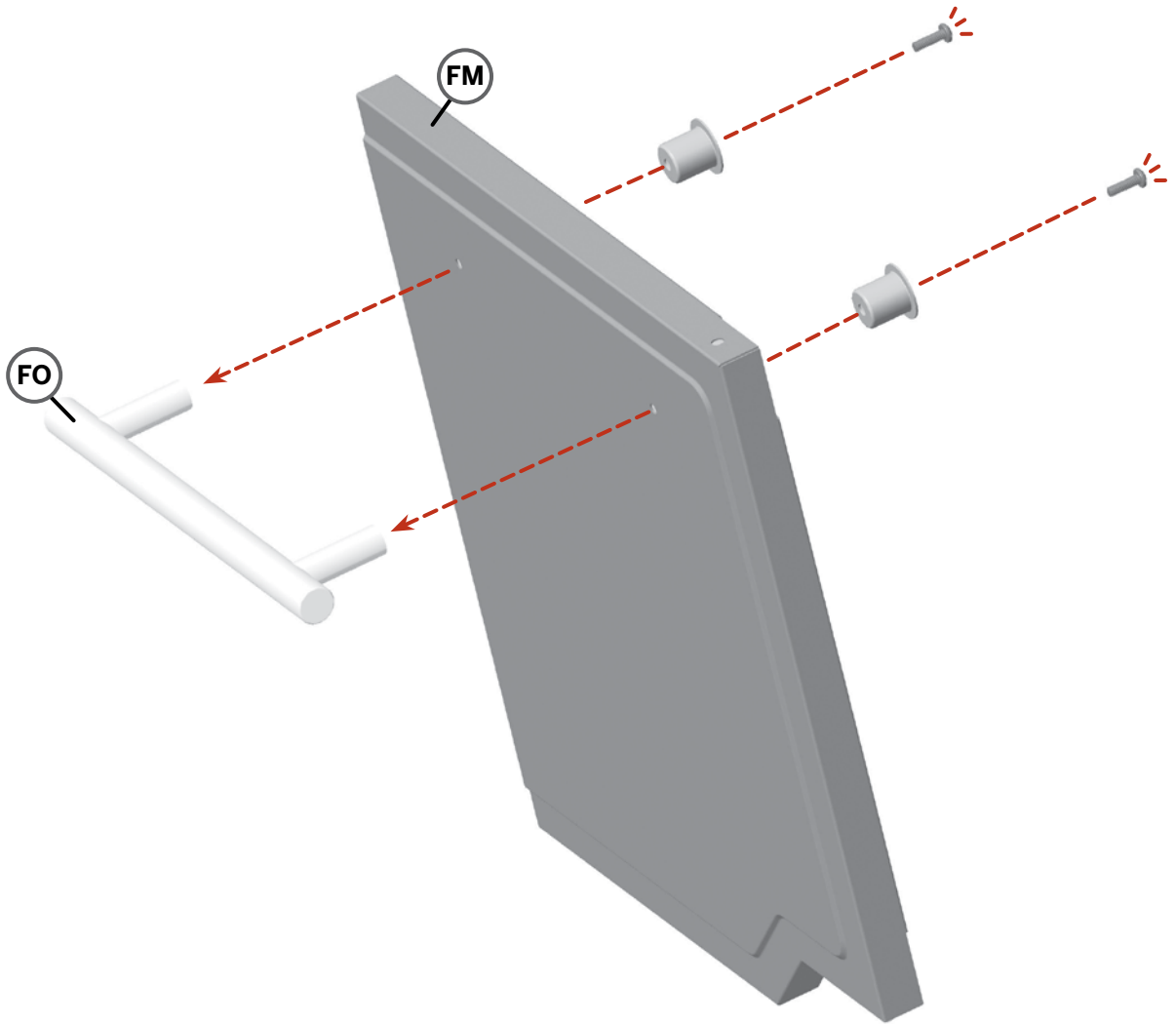
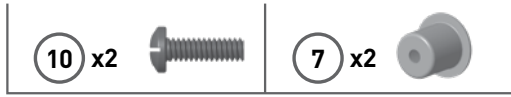
# BUILD IT

## STEP 17A



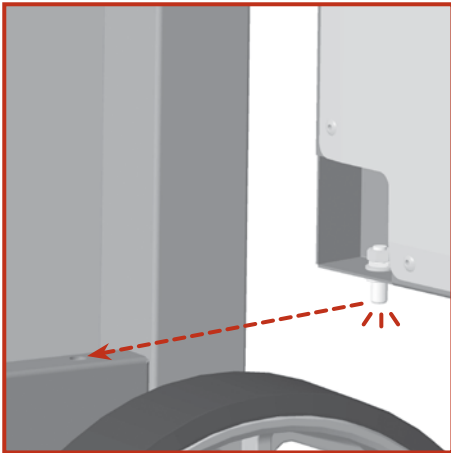
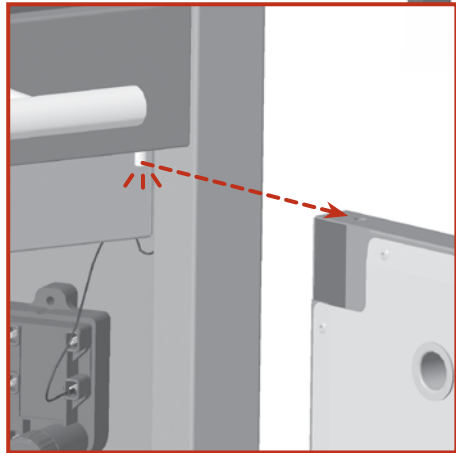
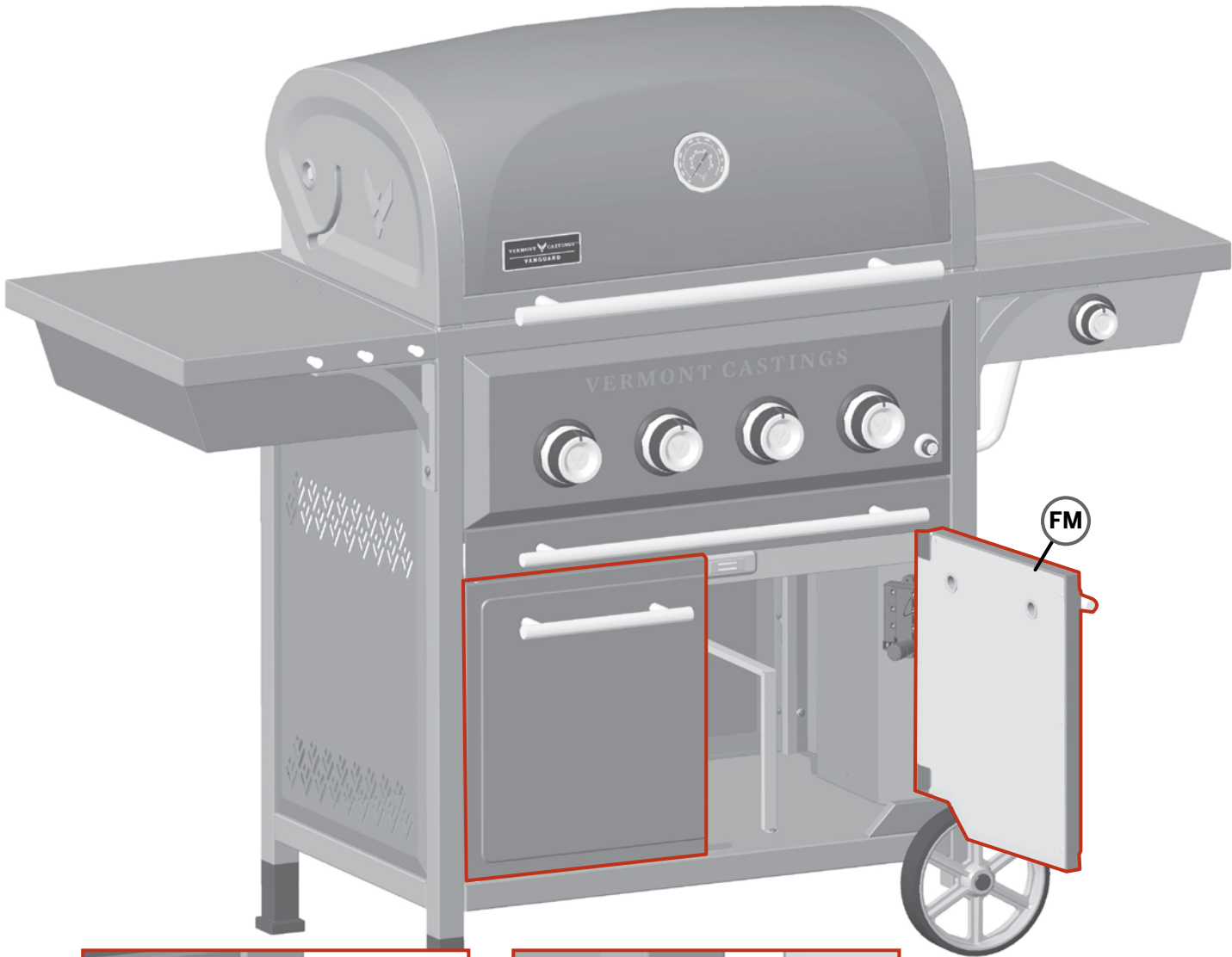
# BUILD IT

## STEP 17B



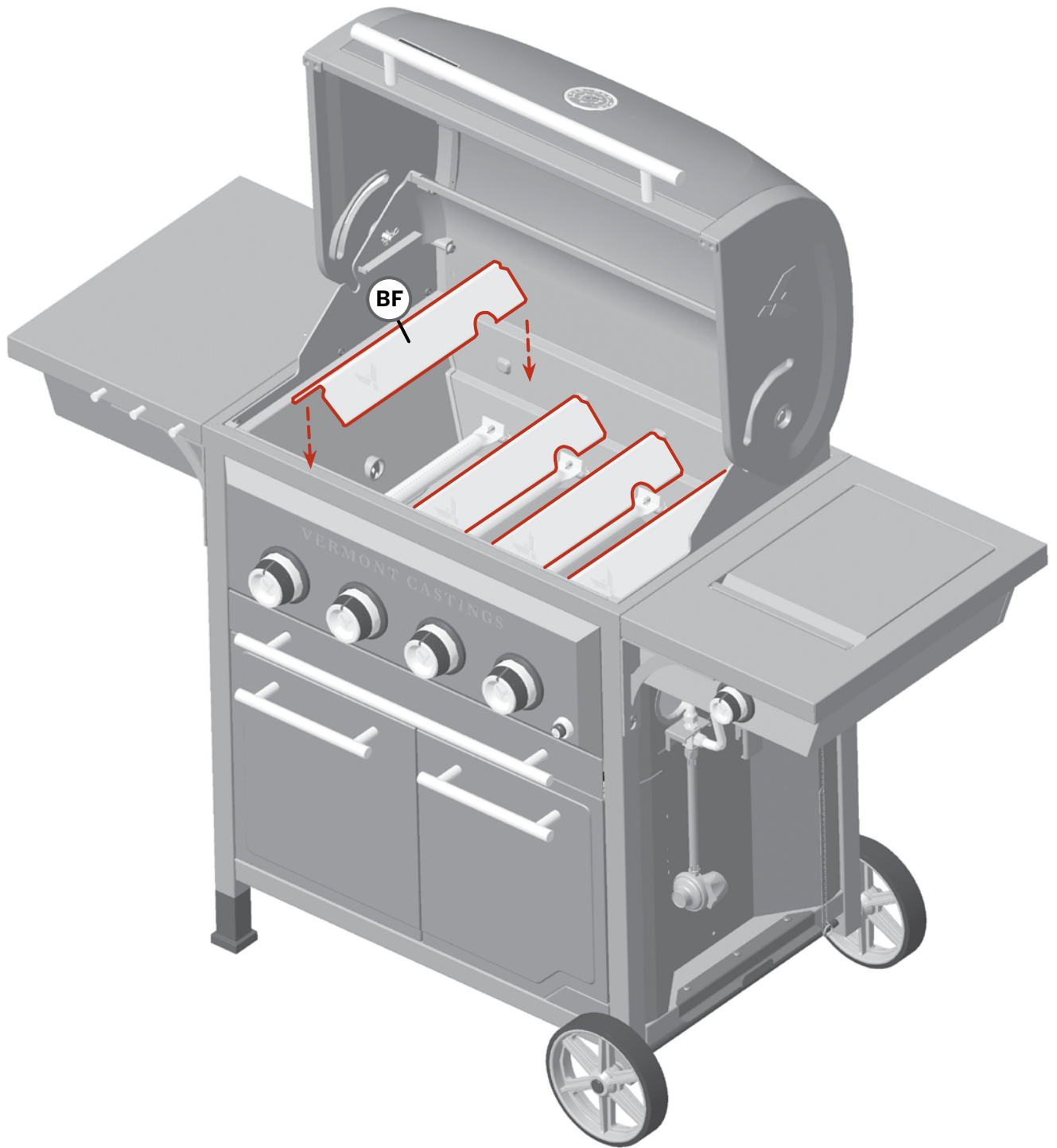
# BUILD IT

## STEP 18



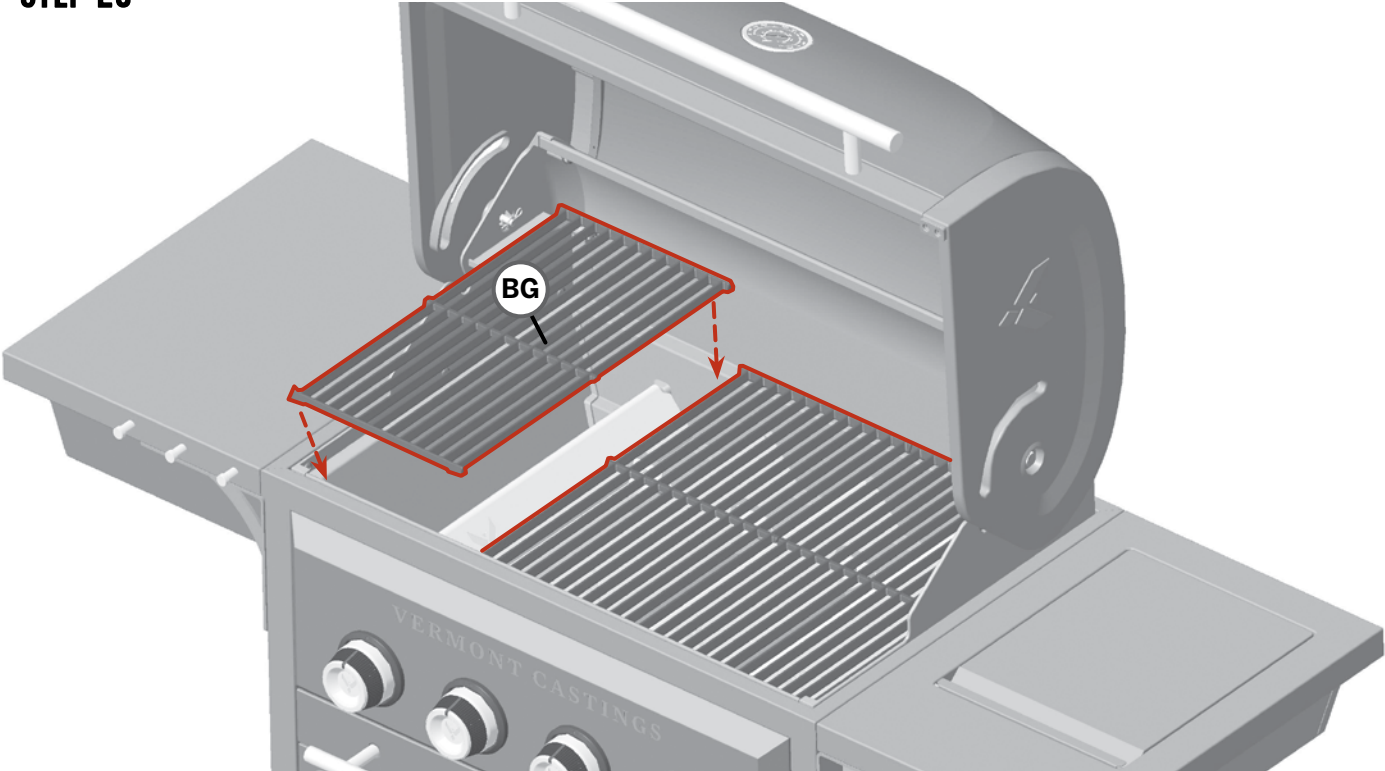
# BUILD IT

## STEP 19

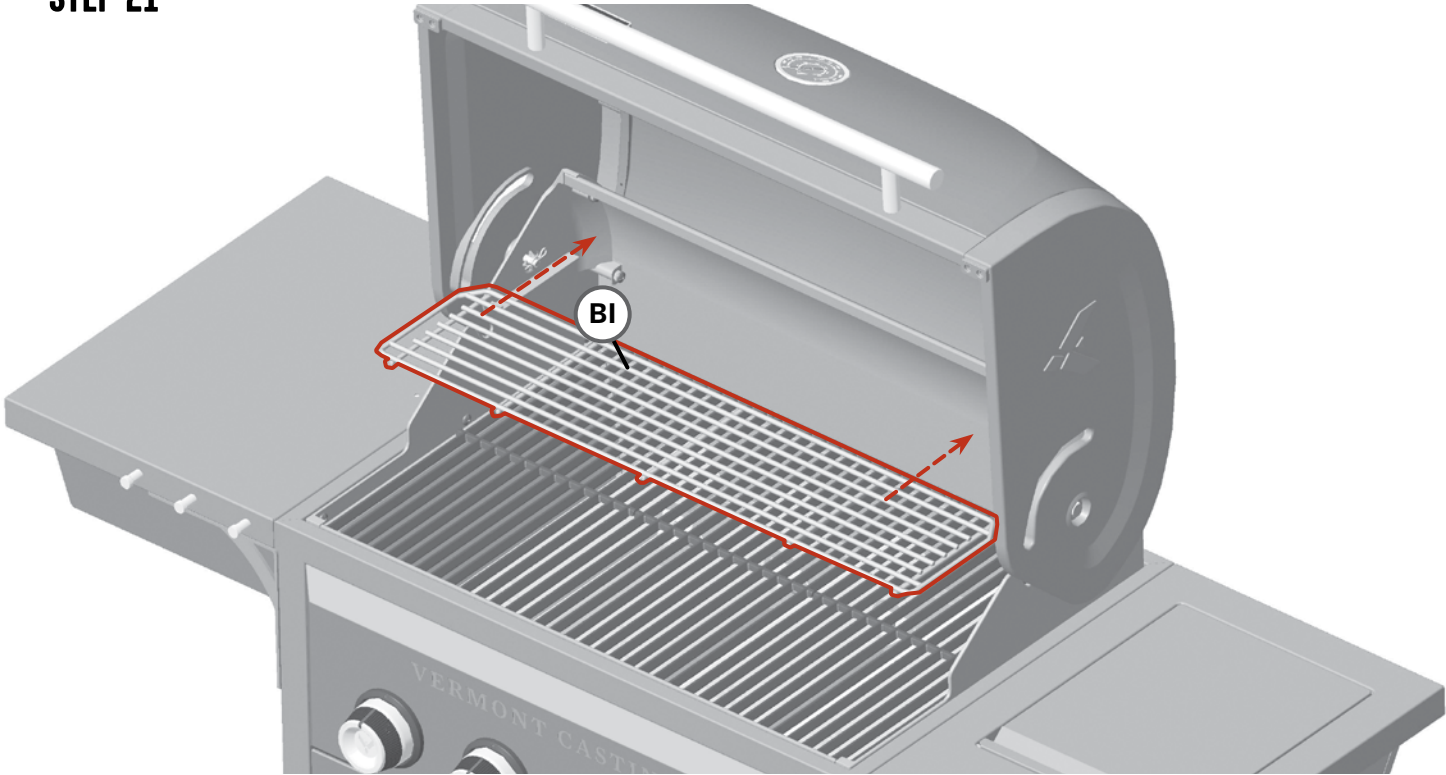


# BUILD IT

## STEP 20

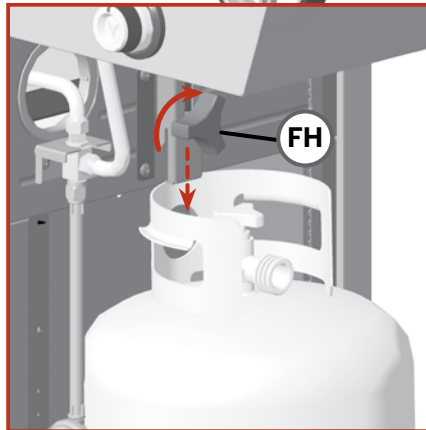
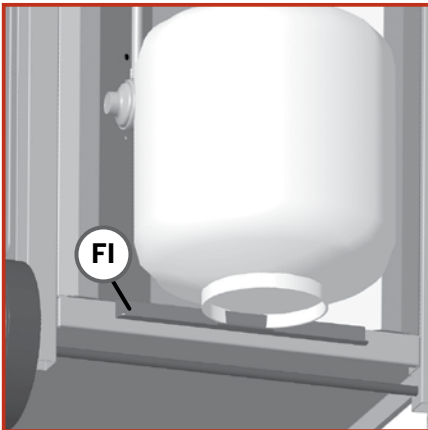
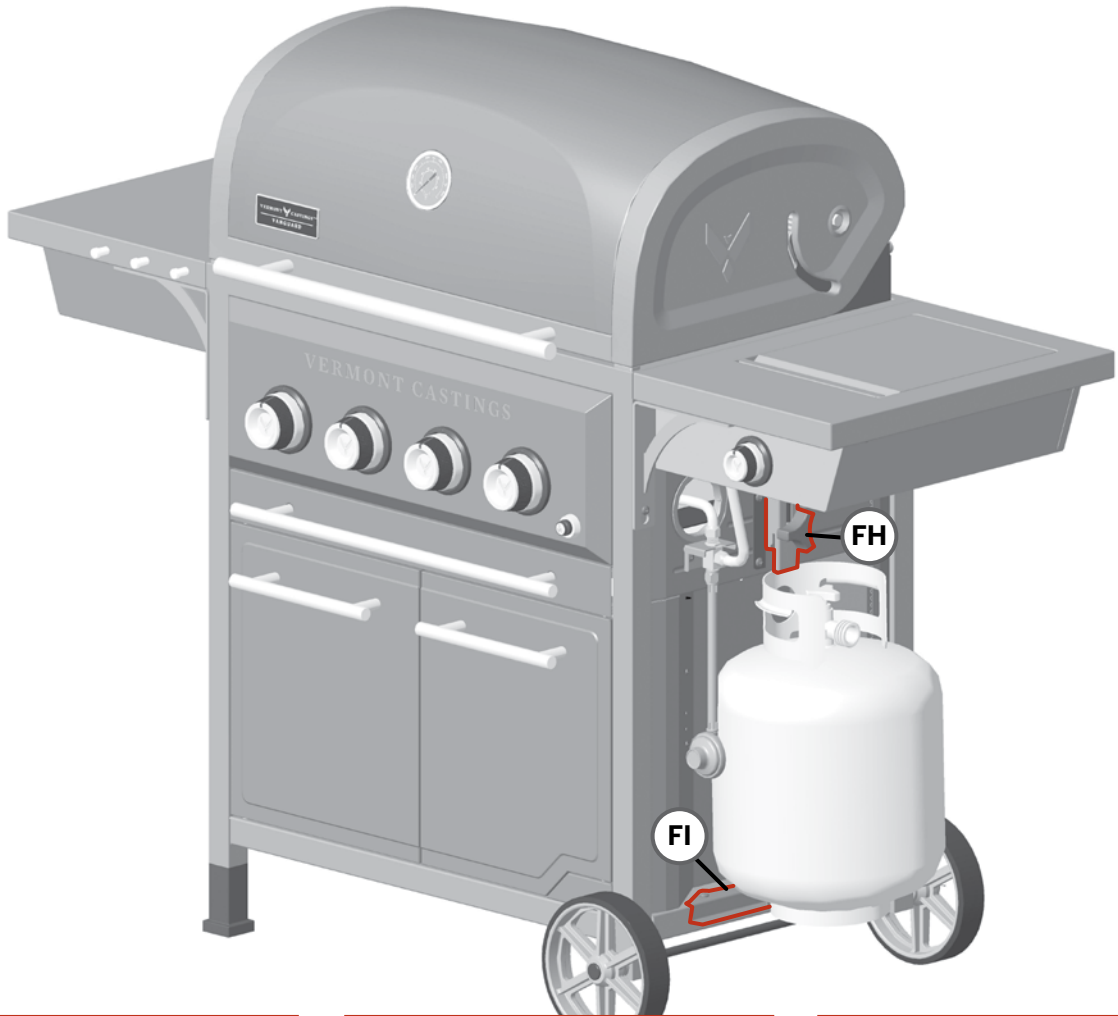


## STEP 21



BUILD IT

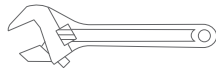
# BUILD IT

**STEP 22****NATURAL GAS CONVERSION CUSTOMERS  
PROCEED TO STEP 23.**

MODEL No. 085-3156-0/G54001

# BUILD IT

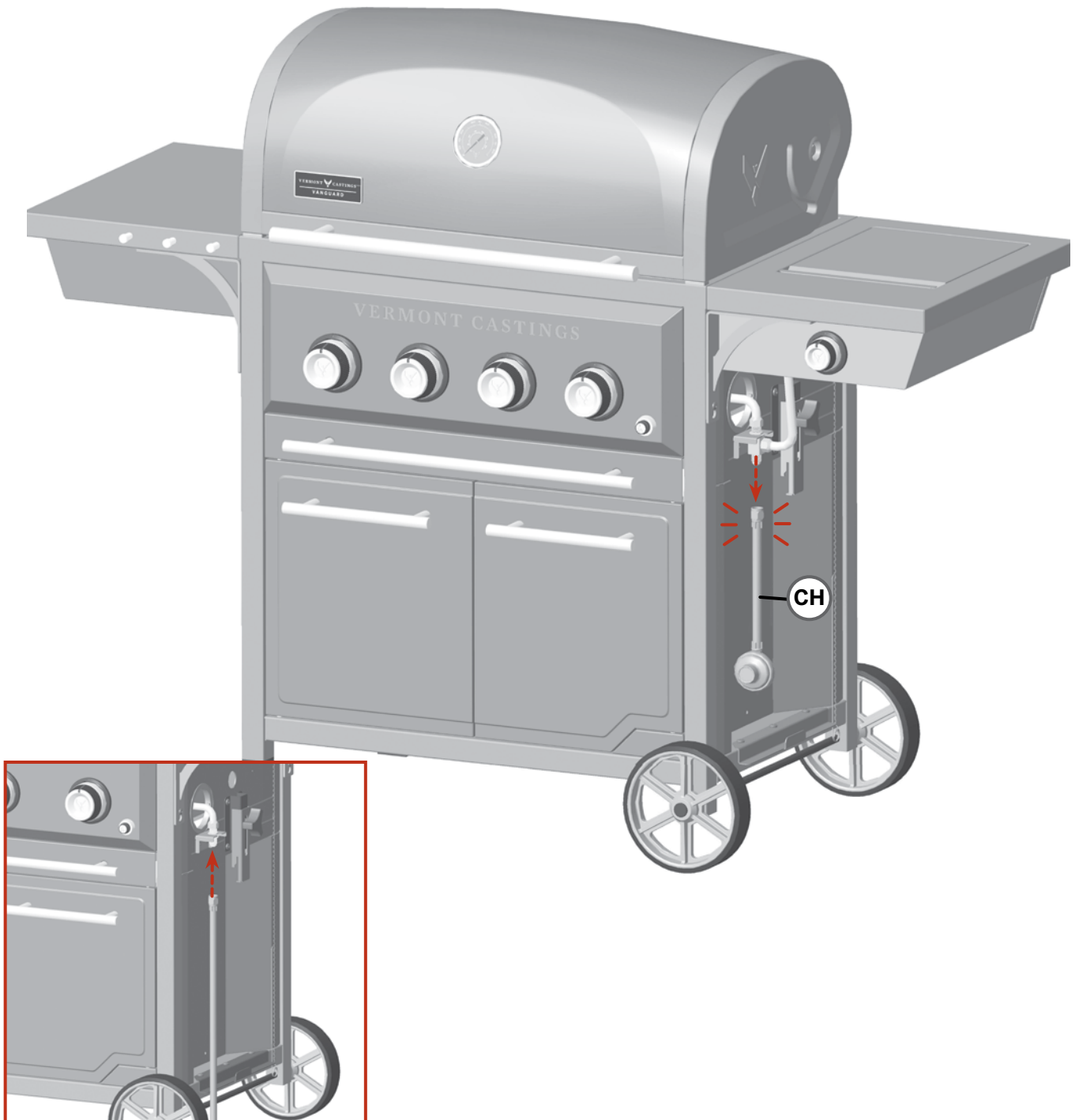
## STEP 23



Wrench

### NATURAL GAS CONVERSION CUSTOMERS ONLY.

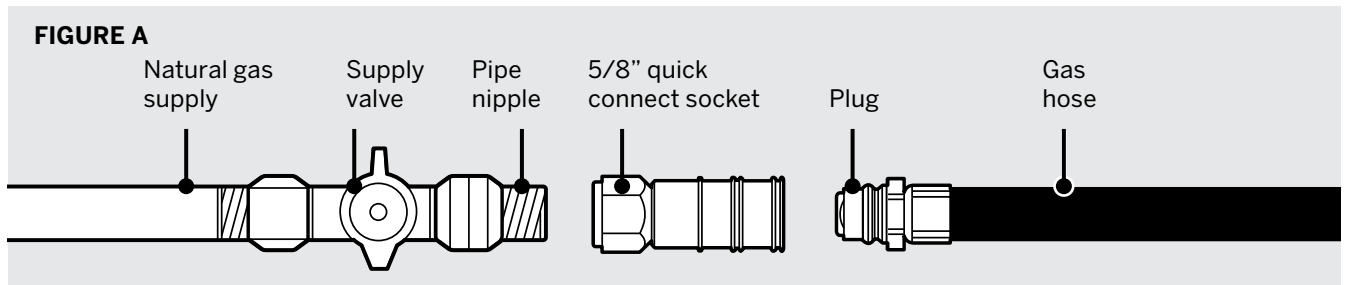
You will need the natural gas hose included with the **Convertible Valve System Kit (Model 085-2261-4)** in this step. See **Step 9A** in manual included with this kit.



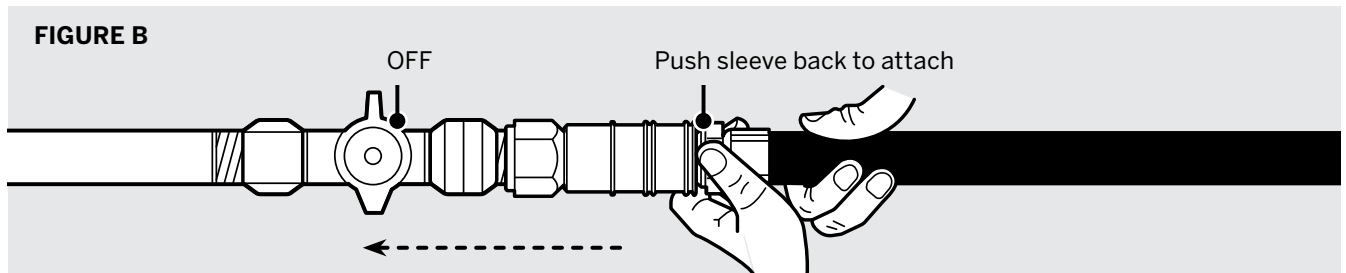
# BUILD IT

## STEP 24 CONNECTING YOUR BARBECUE TO THE NATURAL GAS SOURCE.

Coat pipe nipple with gas-resistant teflon tape or pipe dope. Tighten quick-disconnect coupling onto pipe nipple (FIGURE A).



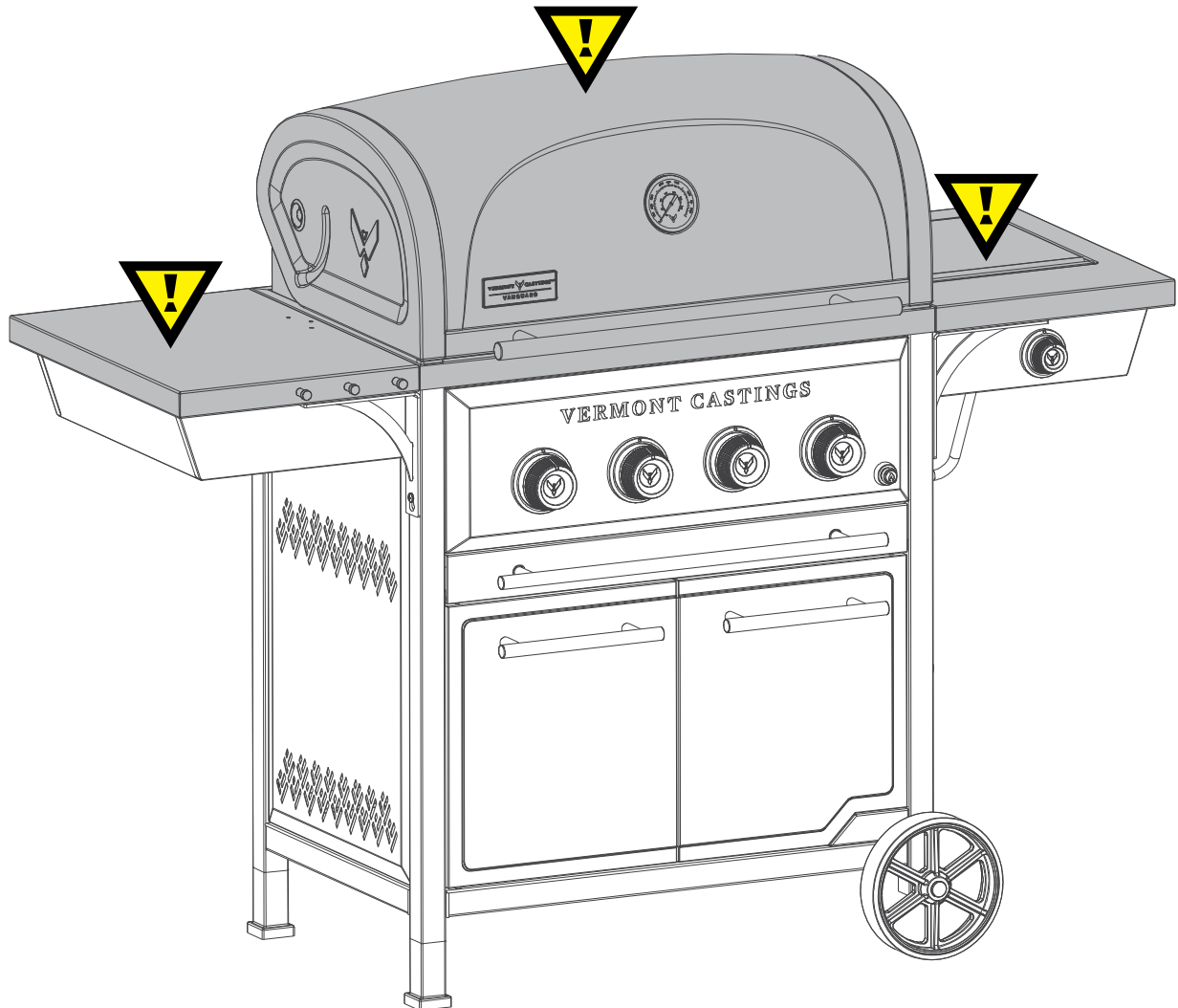
With the natural gas supply valve “OFF”, connect the natural gas hose to the quick connect socket. Push the sleeve back on the quick connect socket (FIGURE B) and insert the plug until the sleeve snaps forward, locking the plug into the quick connect socket. Be sure to leak test these connections prior to use.



**⚠ FIRE HAZARD**—Do not route the natural gas hose inside of the barbecue cart.

# BUILD IT

 **WARNING!**  
HOT SURFACES.



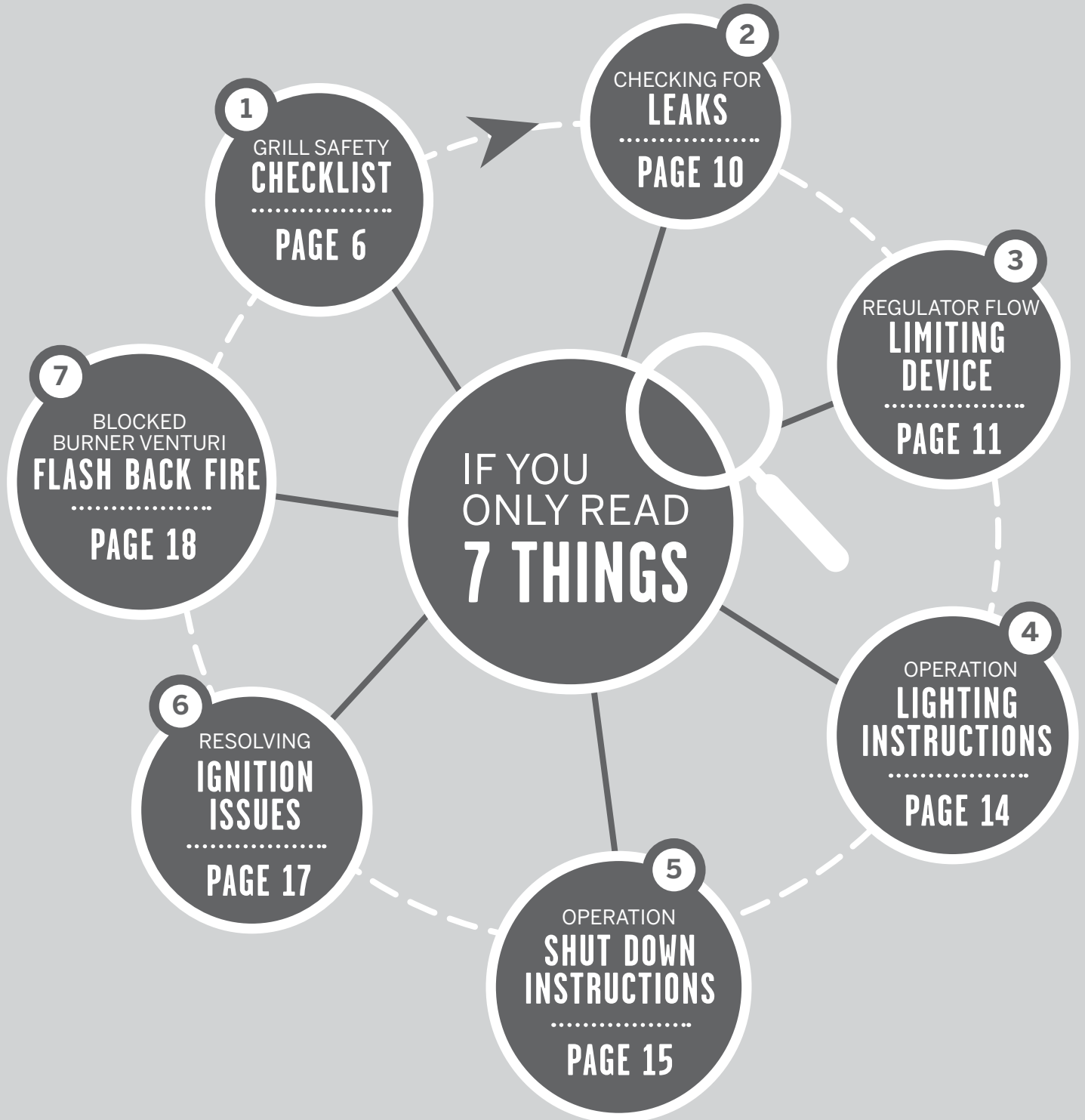
**WARNING:** EXTERIOR SURFACES WILL BECOME VERY HOT. TO PREVENT BURNS, ALWAYS WEAR INSULATED PROTECTIVE BARBECUE GLOVES WHEN USING THE BARBECUE.

- KEEP AWAY FROM COMBUSTIBLE MATERIALS.
- KEEP CHILDREN AND PETS AWAY FROM THIS GAS-FIRED BARBECUE.
- AVOID DANGEROUS FIRES: DO NOT LEAVE YOUR BARBECUE UNATTENDED WHILE IN OPERATION.

CONTACT US: 1-844-586-4660  
[www.vermontcastingsbbq.com](http://www.vermontcastingsbbq.com)

# BEFORE YOU BEGIN

**DON'T TAKE RISKS, READ THE USER MANUAL.  
KNOWING HOW YOUR BARBECUE WORKS IS KEY TO USING IT SAFELY.**



# NOTES

# NOTES

# NOTES



**VERMONT  
CASTINGS** <sup>TM</sup><sub>MC</sub>



CONTACT US 1-844-586-4660  
[WWW.VERMONTCASTINGSBBQ.COM](http://WWW.VERMONTCASTINGSBBQ.COM)