

SERIAL NO./ N° DE SÉRIE



VERMONT CASTINGSTM_{MC}

VERMONT CASTINGS VANGUARD XE^{TM/MC} 4-BURNER BARBECUE

G54006 ASSEMBLY MANUAL

YOUR FEEDBACK IS IMPORTANT TO US
SHARE YOUR EXPERIENCE BY WRITING A REVIEW AT

WWW.CANADIANTIRE.CA

Before you begin



ENHANCE YOUR ASSEMBLY WITH A
QUICKER & EASIER ASSEMBLY EXPERIENCE
DOWNLOAD THE FREE APP



LAST UPDATE: SEP 25, 2020



WELCOME TO VERMONT CASTINGS

Founded in 1975, Vermont Castings has always stood for uncompromising commitment to quality craftsmanship and meaningful design. Our wood stoves and hearth products deliver more than heat – they create a warmth that unites.

Lit with purpose, our line of Vermont Castings barbecues are designed to deliver your best grilling experience. With a durable, robust construction built to last through the years, thoughtfully constructed components that stand up to grilling in any season, and a simplified system to make maintaining your investment easier, Vermont Castings continues the promise of unwavering quality and purposeful design.

Vermont Castings barbecues do more than just grill. They let you create enduring connections around food and flame.



ANS Z21.58-2018 / CSA1.6-2018
Outdoor Cooking Gas Appliances



ANS Z21.58-2018 / CSA1.6-2018
Outdoor Cooking Gas Appliances

CONTACT US: 1-844-586-4660
WWW.VERMONTCASTINGSBBQ.COM

PLEASE KEEP THIS MANUAL WITH YOUR
BARBECUE FOR FUTURE REFERENCE



HEAVY ARTICLE NEEDS 2 TO LIFT

THIS MANUAL MUST REMAIN WITH THE PRODUCT AT ALL TIMES

To ORDER non-warranty replacement parts or accessories,
please visit us on the web at www.vermontcastingbbq.com

⚠ CAUTION

Sharp edges. Wear gloves when assembling your grill.

⚠ CAUTION

Read and follow all safety statements, assembly instructions, use and care directions before attempting to assemble and cook.

⚠ INSTALLER OR ASSEMBLER/ CONSUMER

This manual should be kept with the BBQ at all times.

⚠ WARNING

Failure to follow all of the Manufacturer's instructions could result in hazardous fires, explosions, property damage, or serious personal injury or even death.

Follow all leak check procedures carefully prior to operation of barbecue, even if grill was dealer assembled. Do not try to light this barbecue without reading the Lighting Instructions section of this manual.

⚠ DANGER

1. If you smell Gas:
 - a. Shut off gas to the appliance
 - b. Extinguish any open flame
 - c. Open lid
 - d. If odor continues, keep away from the appliance and immediately call your gas supplier or your fire department
2. Requires two people to complete the assembly process.
3. Beware of sharp edges.

⚠ WARNING

1. Do not store or use gasoline or other flammable liquids or vapours in the vicinity of this or any other appliance.
2. An LP cylinder not connected for use shall not be stored in the vicinity of this or any other appliance.

⚠ WARNING

IN DIRECT SUN, AND IN OPERATION, YOUR BBQ'S STAINLESS STEEL AND PAINTED STEEL PARTS CAN BECOME VERY HOT.

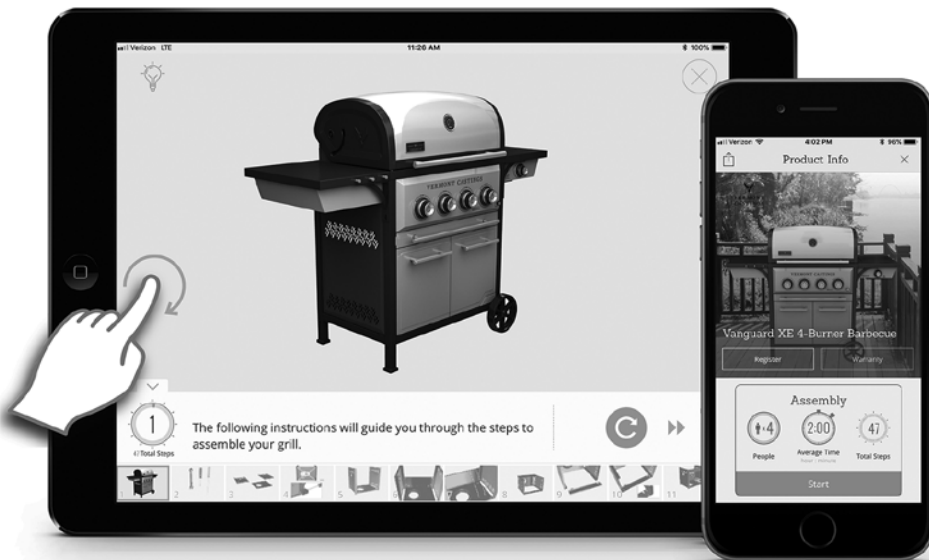
THIS BARBECUE IS FOR OUTDOOR USE ONLY

CONTACT CALL CENTRE IF ANY PARTS ARE MISSING

1-844-586-4660

IMPORTANT

Easy step-by-step
interactive 3D instructions
for this product can be found in



BILT. INTELLIGENT INSTRUCTIONS

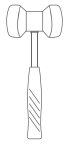


Available on most iOS and Android Devices

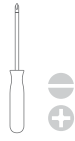
DOWNLOAD THE **FREE** APP



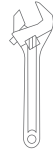
TOOLS REQUIRED



Mallet



Screwdrivers



Wrench



4 People

HARDWARE PACK

PART NO.	DESCRIPTION	PHOTO	QTY
1	¼"-20UNC x 38 Screw		6
2	¼"-20UNC x 13 Screw		21
3	NO.10-24UNC x 13 Screw		31
4	ST4.8 x 10 Tapping Screw		2
5	ST4.2 x 20 Tapping Screw		1
6	ST4.2 x 10 Tapping Screw		3
7	Wheel Bushing		3
8	Pin, Wheel		1
9	Spacer, Door Handle		4
10	Pin, Main Burner		4
11	NO.10-24UNC x 23 Screw		4
12	¼"-20UNC x 18 Screw		8
13	Electrode Wire Clip		3
14	NO.10-24UNC x 13 Hex Screw		4
15	AA Battery		1

SYMBOLS

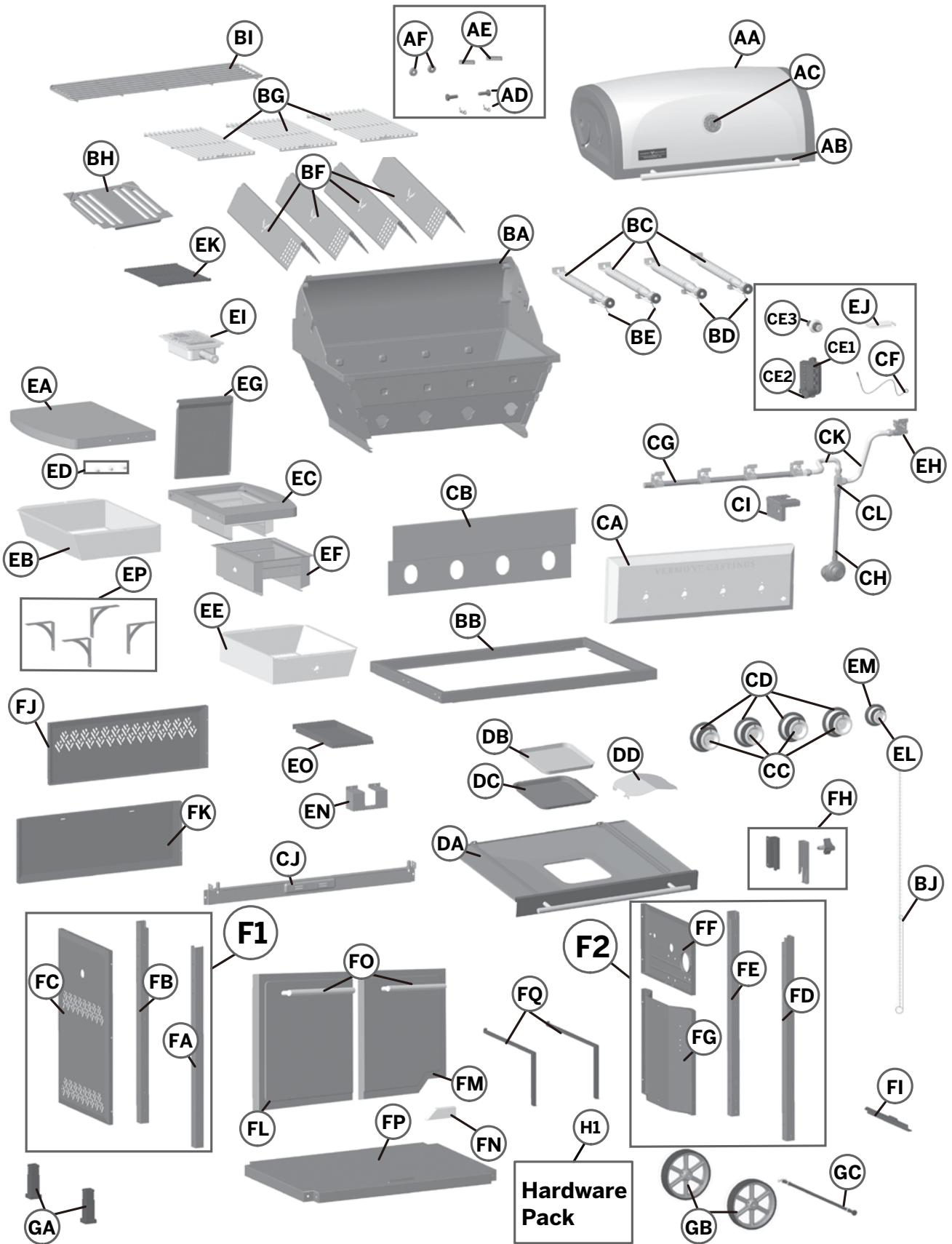


SYMBOLS: THESE SYMBOLS ARE USED THROUGHOUT THIS ASSEMBLY MANUAL TO EMPHASIZE CRITICAL AND IMPORTANT PART INFORMATION.

PARTS

ITEM NO.	QTY.	DESCRIPTION	PART NO.	ITEM NO.	QTY.	DESCRIPTION	PART NO.
AA	1	Top Lid Assembly	G540-4200-02	ED	3	Tool Hooks	G366-0041-01
AB	1	Lid Handle	G540-0037-02	EE	1	Infrared Side Burner Fascia, Right	G540-5100-01
AC	1	Thermometer	G366-0035-01	EF	1	Infrared Side Burner, Burner Box	G535-3500-01
AD	2	Top Lid screw & hitch pin	G539-0024-02	EG	1	Infrared Side Burner Lid	G518-0036-01
AE	2	Lid Bumper, Top Lid	G539-0034-01	EH	1	Infrared Side Burner Valve	G540-0026-01
AF	2	Lid Bumper, Burner Box	G527-0002-02	EI	1	Infrared Side Burner	G535-8600-02
BA	1	Burner Box Assembly	G540-1700-01	EJ	1	Electrode Set, Infrared Side Burner	G540-0038-01
BB	1	Top Frame	G540-0100-01	EK	1	Cooking Grate, Infrared Side Burner	G540-0039-01
BC	4	Main Burners	G366-0700-01	EL	1	Control Knob, Infrared Side Burner	G540-3300-01
BD	2	Electrode Set 650mm, Main Burner	G366-0030-01	EM	1	Control Knob Bezel, Infrared Side Burner	G540-0019-01
BE	2	Electrode Set 950mm, Main Burner	G539-0028-01	EN	1	Infrared Side Burner Heat Shield	G614-0073-01
BF	4	Heat plate	G366-0057-01	EO	1	Grease Cup, Infrared Side Burner	G614-0075-01
BG	3	Cooking Grate, Main Burner	G540-0042-01	EP	4	Side Shelf Support Brace	G539-0500-01
BH	1	Heat Shield, Burner Box	G366-0061-01	FA	1	Front Leg, Left (F1)	G366-1001-01
BI	1	Warming Rack	G540-0015-01	FB	1	Back Leg, Left (F1)	G366-1002-01
BJ	1	Match Holder	G570-0035-01	FC	1	Cart Side Panel, Left (F1)	G366-1003-01
CA	1	Control Panel	G540-0025-01	FD	1	Front Leg, Right (F2)	G366-1101-01
CB	1	Heat Shield, Control Panel	G540-0023-01	FE	1	Back Leg, Right (F2)	G366-1102-01
CC	4	Control Knob, Main Burner	G540-2600-01	FF	1	Upper Cart Side Panel, Right (F2)	G366-1103-01
CD	4	Control Knob Bezel, Main Burner	G366-0010-01	FG	1	Lower Cart Side Panel, Right (F2)	G366-1104-01
CE1	1	Electronic Ignition Module	G540-0002-01	FH	1	Cylinder support	G539-0017-02
CE2	1	Battery Cover	G366-0006-02	FI	1	Tank Base Support	G539-0016-01
CE3	1	Ignition Switch	G366-0011-01	FJ	1	Upper Back Panel	G540-0004-01
CF	1	Ground Wire	G602-0024-03	FK	1	Lower Back Panel	G540-0003-01
CG	1	Manifold Assembly	G540-2500-01	FL	1	Door Assembly, Left	G540-2700-01
CH	1	Regulator	G312-1004-01	FM	1	Door Assembly, Right	G540-2800-01
CI	1	Regulator Bracket	G366-0046-01	FN	1	Lower Door Brace	G540-0027-01
CJ	1	Front Brace with Door Magnet	G540-1300-01	FO	2	Door Handle	G540-0029-01
CK	2	Metal Hose	G508-0024-01	FP	1	Bottom Panel	G540-0001-01
CL	1	Hose Connector	G466-0085-01	FQ	2	Tank Exclusion Brace	G366-0014-01
DA	1	Grease Drawer Assembly	G540-4100-01	GA	2	Feet	G539-0002-01
DB	1	Replacement Liner	G366-0056-01	GB	2	Wheel	G366-1200-01
DC	1	Grease Pan	G366-0055-01	GC	1	Wheel Axle	G366-0003-01
DD	1	Heat Shield, Grease Pan	G366-0060-01	H1	1	Hardware Pack	G540-B006-01
EA	1	Side Shelf Table, Left	G539-0037-01	H2	1	Assembly Manual	G540-M006-01
EB	1	Side Shelf Fascia, Left	G540-4900-01	H3	1	User Manual	G366-M003-02
EC	1	Infrared Side Burner Table, Right	G540-4600-01				

EXPLODED PARTS



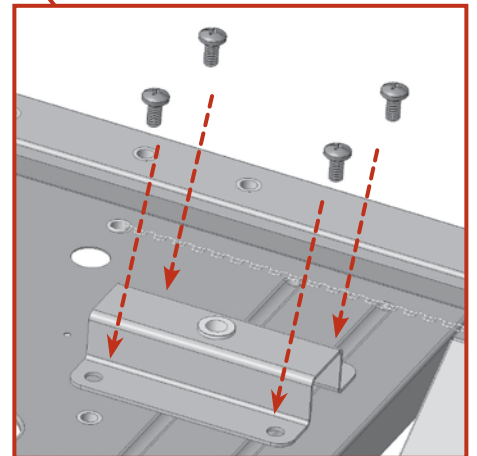
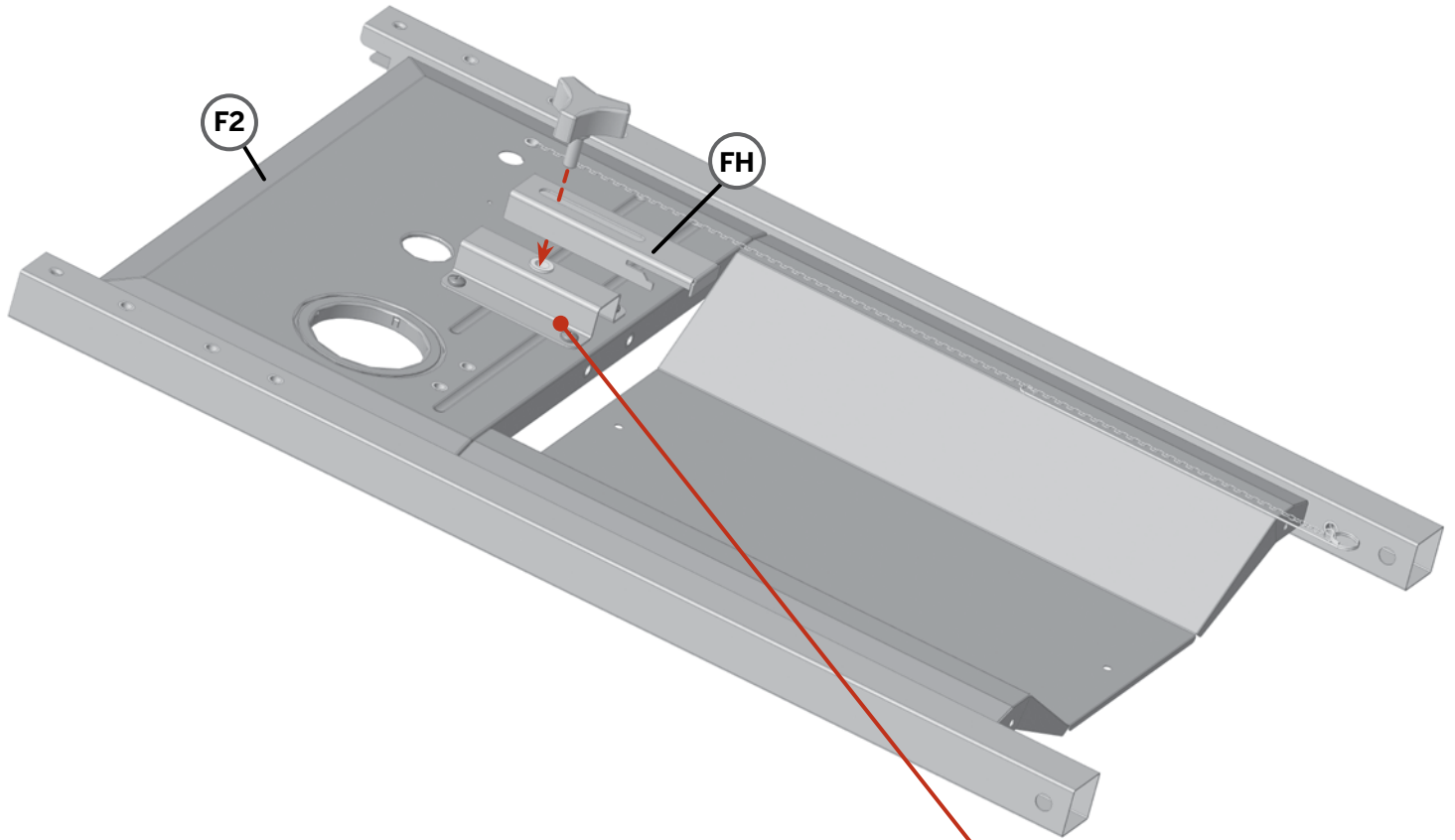
START IT

BUILD IT

STEP 1A

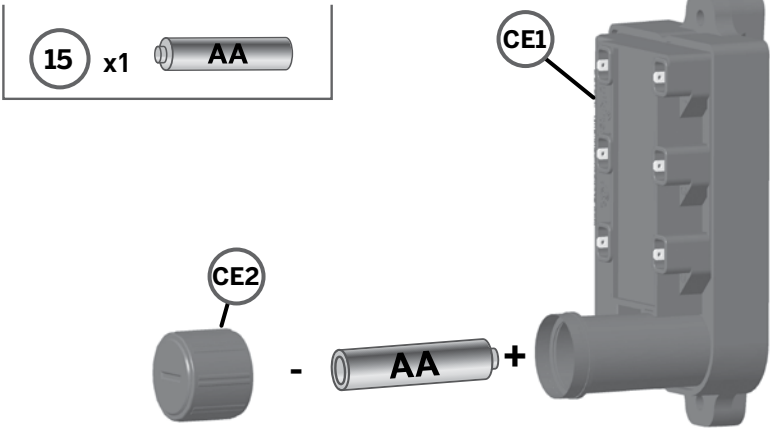


Assemble on a **FLAT** and **SOFT** surface to avoid damage.

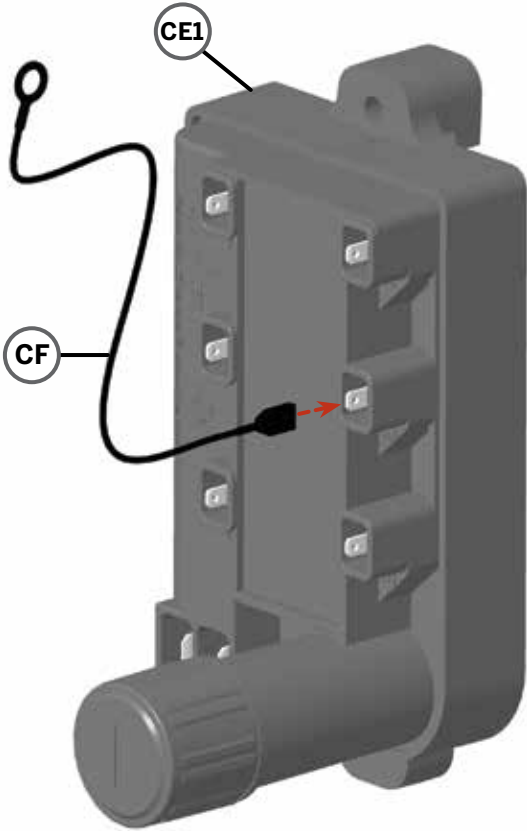


BUILD IT

STEP 1B

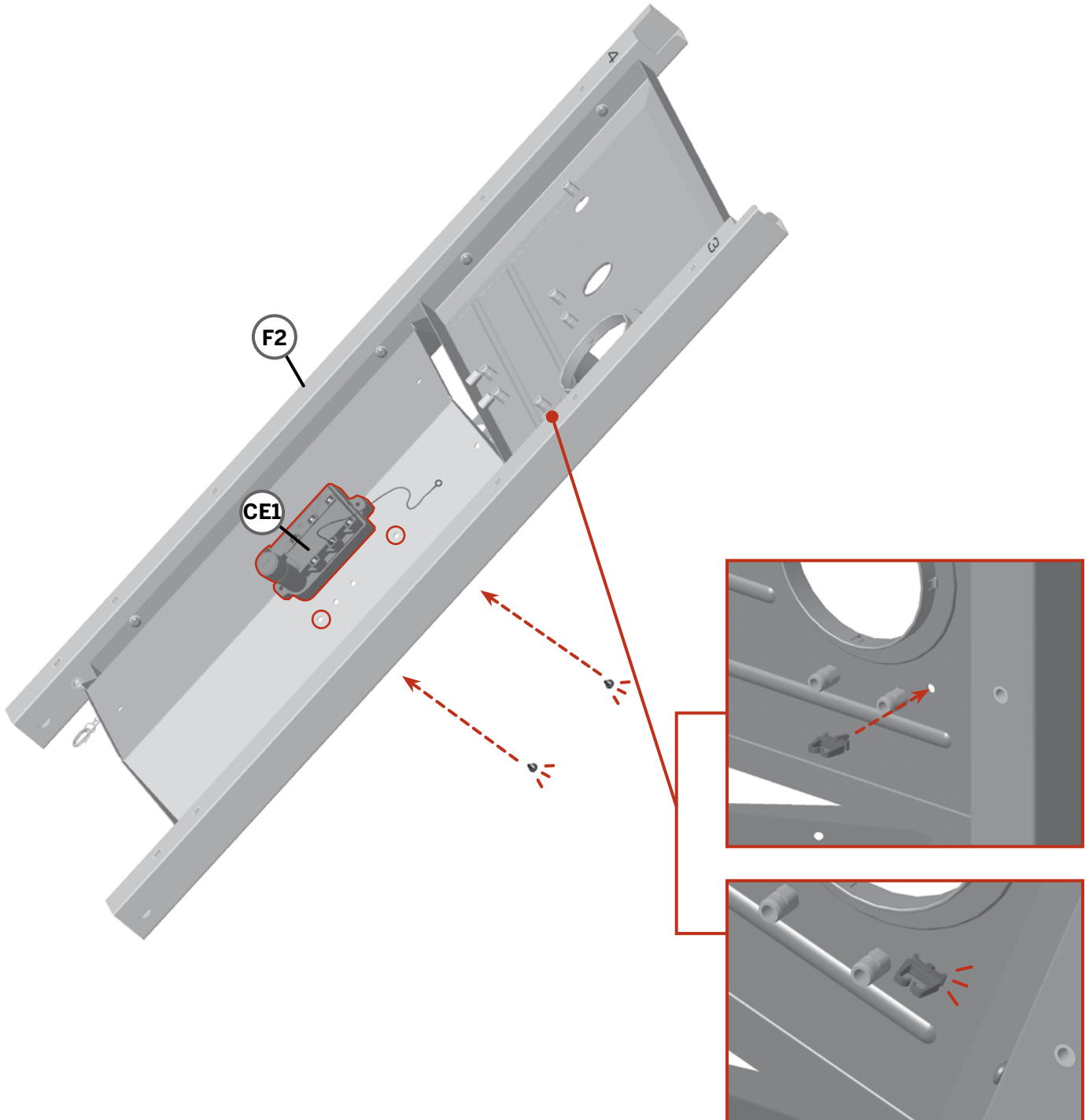
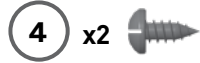


STEP 1C



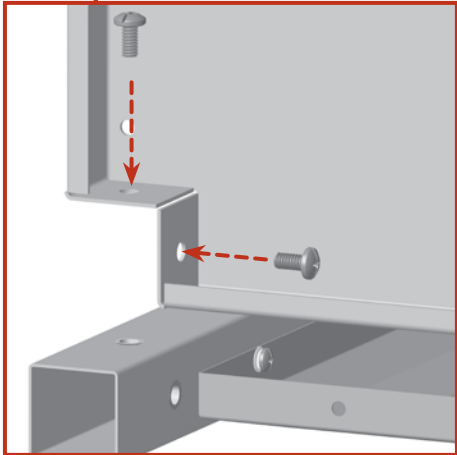
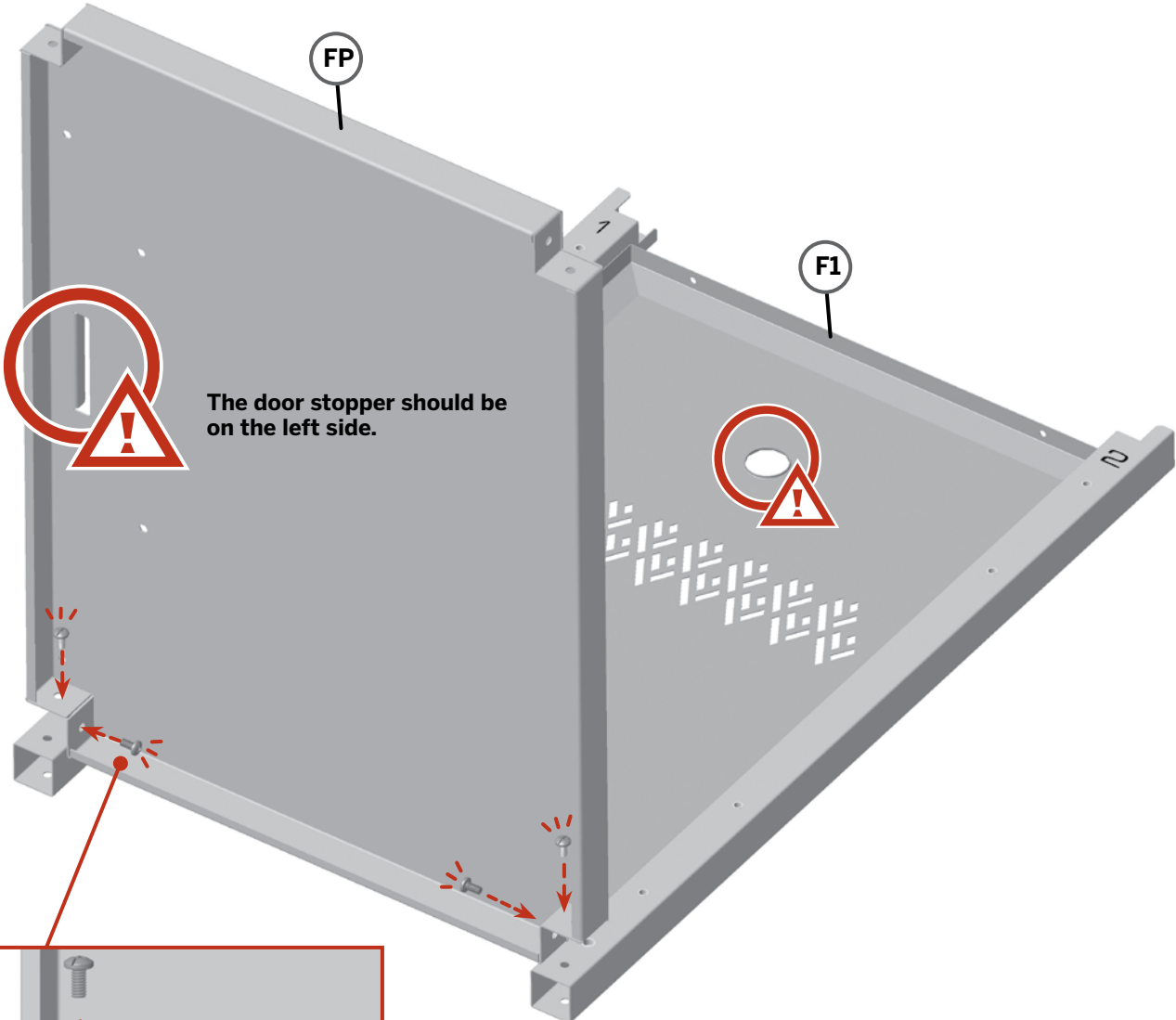
BUILD IT

STEP 1D



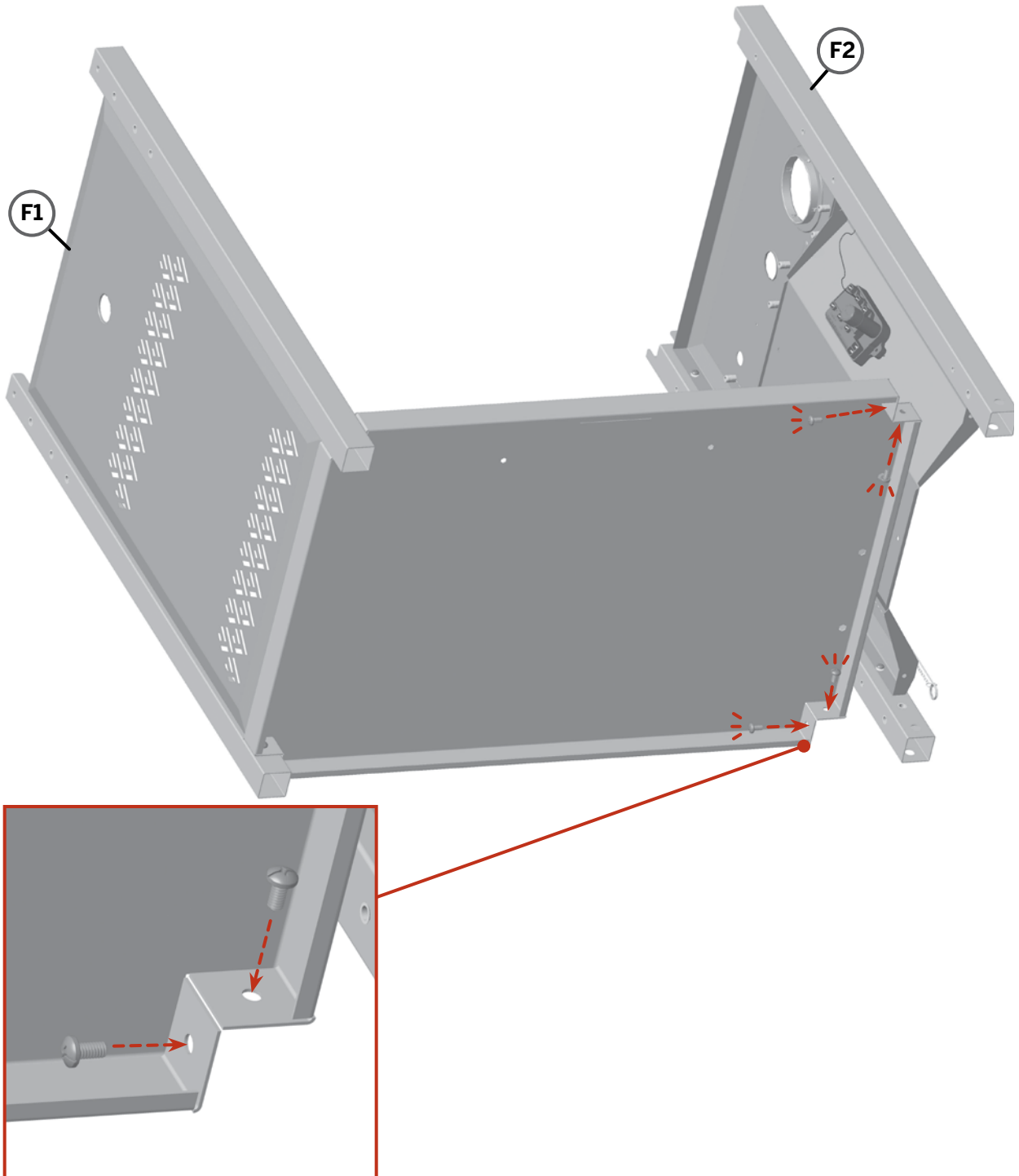
BUILD IT

STEP 2A



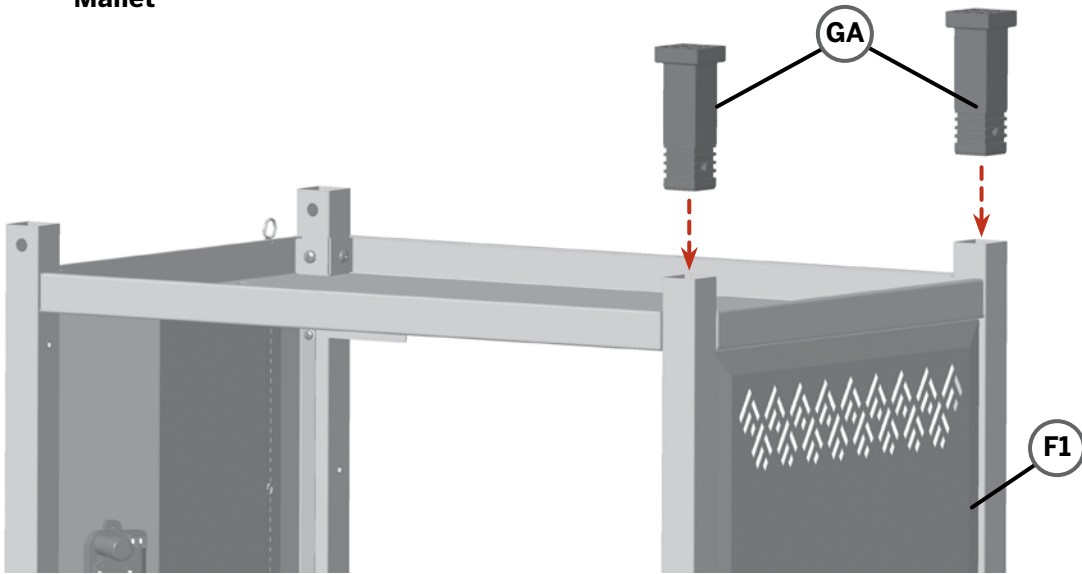
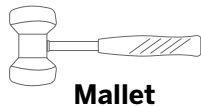
BUILD IT

STEP 2B

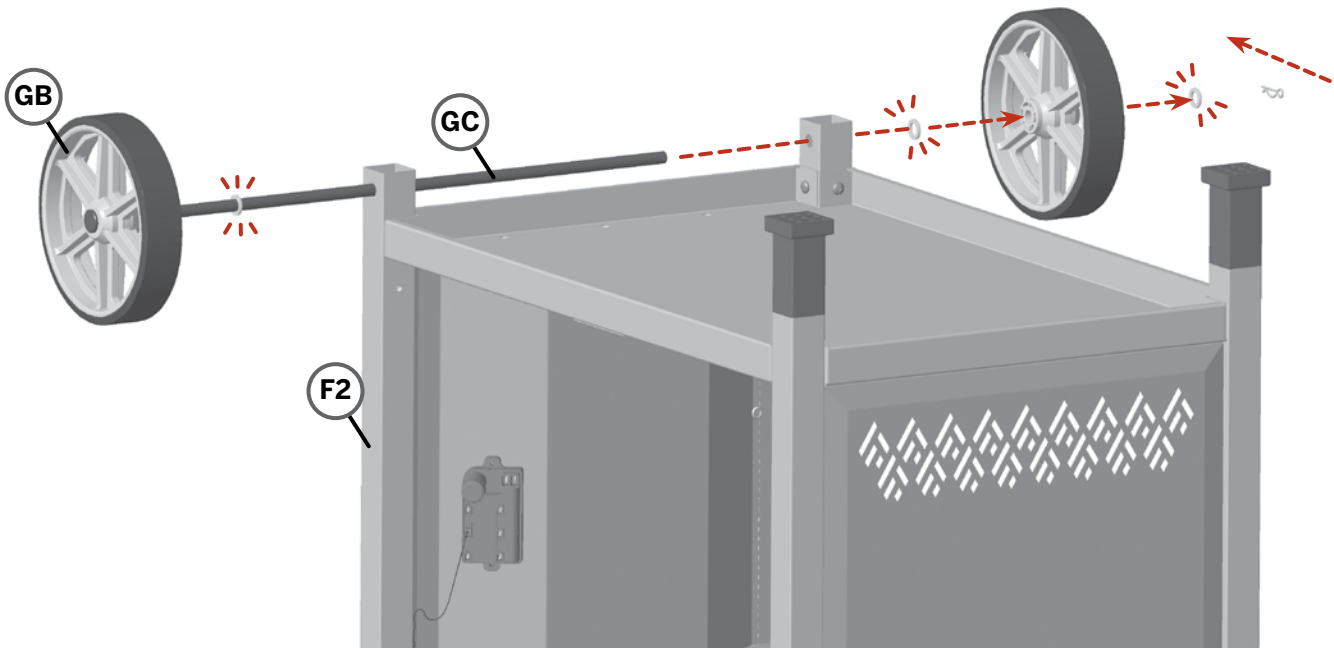


BUILD IT

STEP 3A



STEP 3B



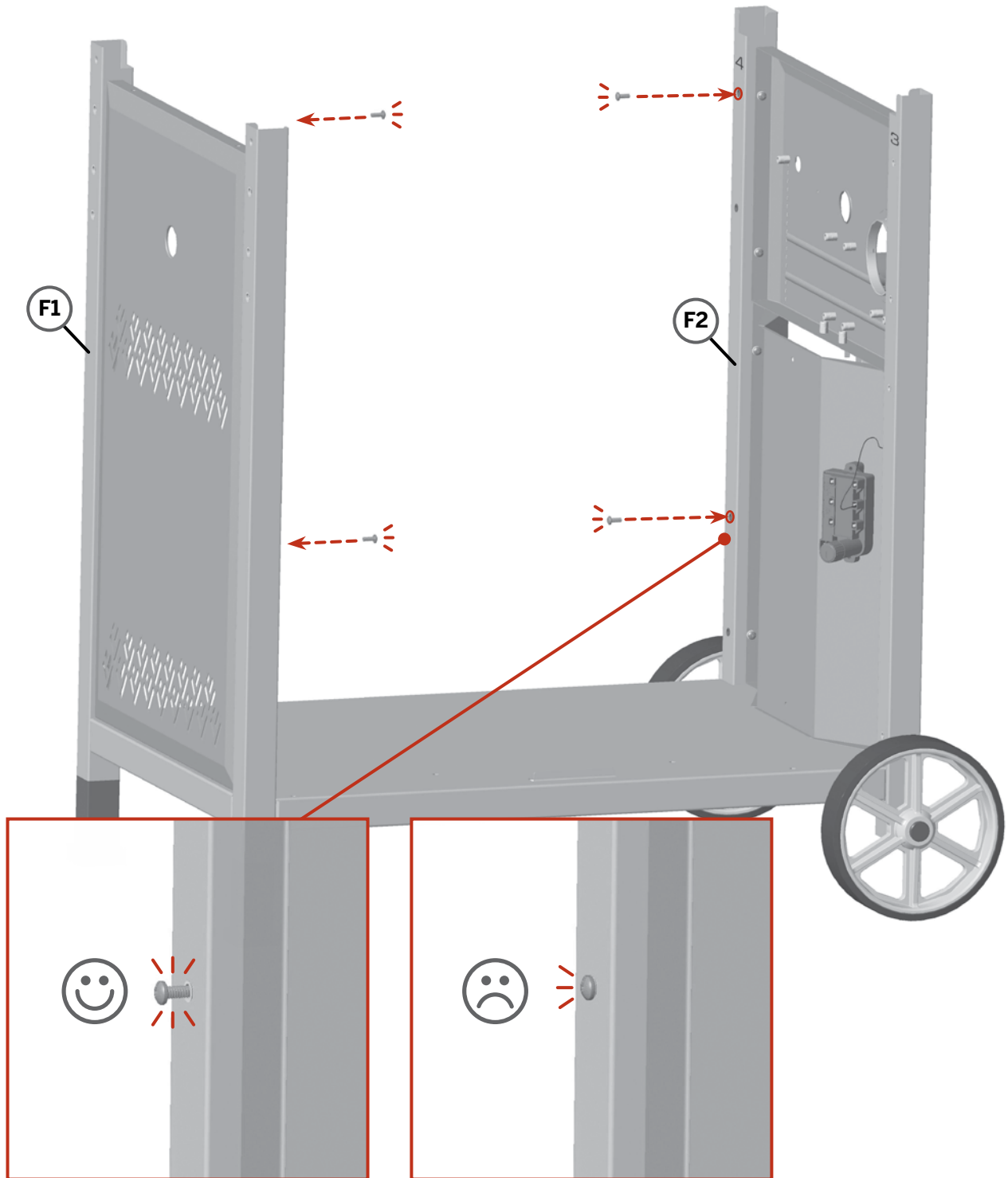
BUILD IT

BUILD IT

STEP 4A



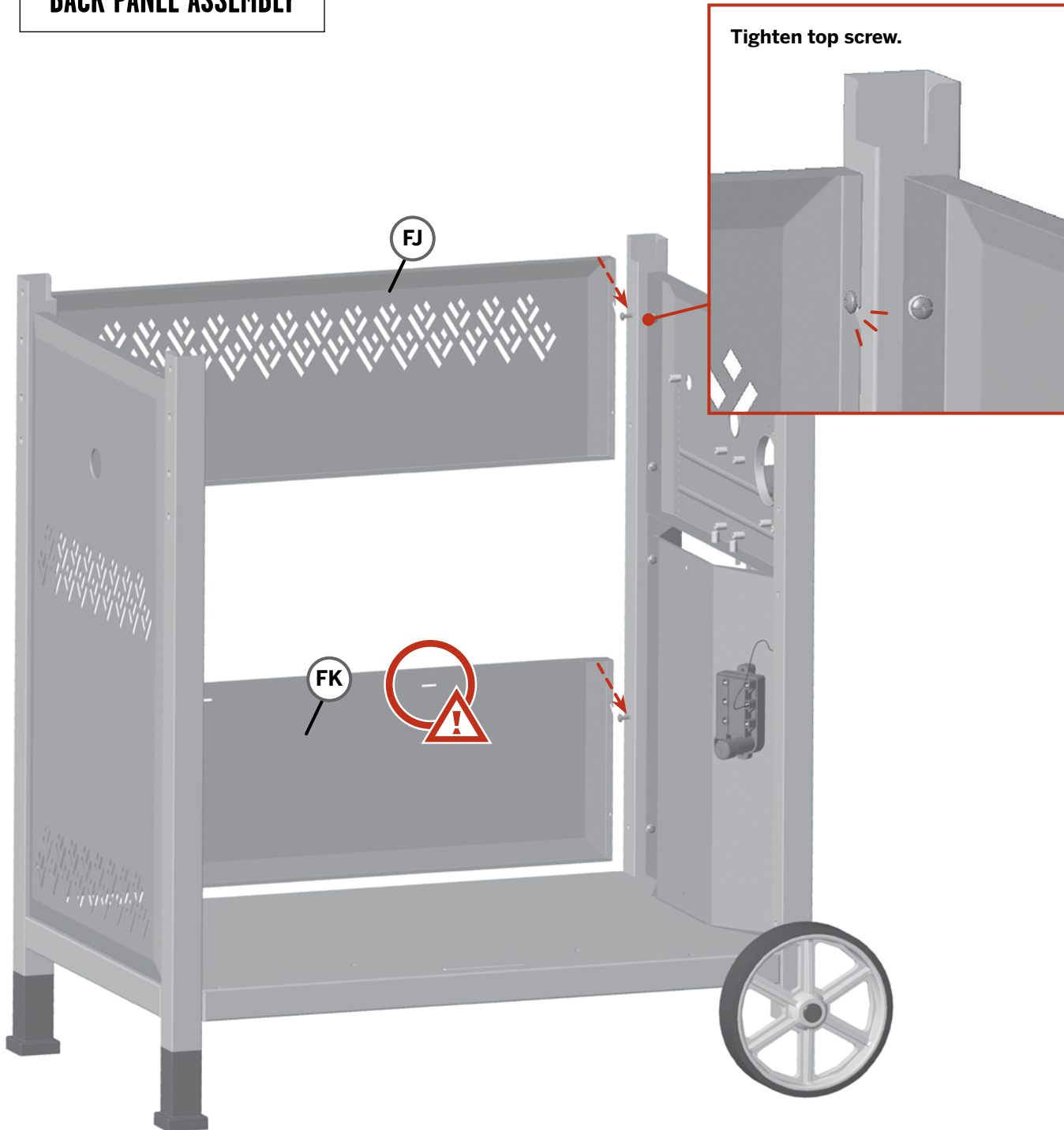
BACK PANEL ASSEMBLY



BUILD IT

STEP 4B

BACK PANEL ASSEMBLY



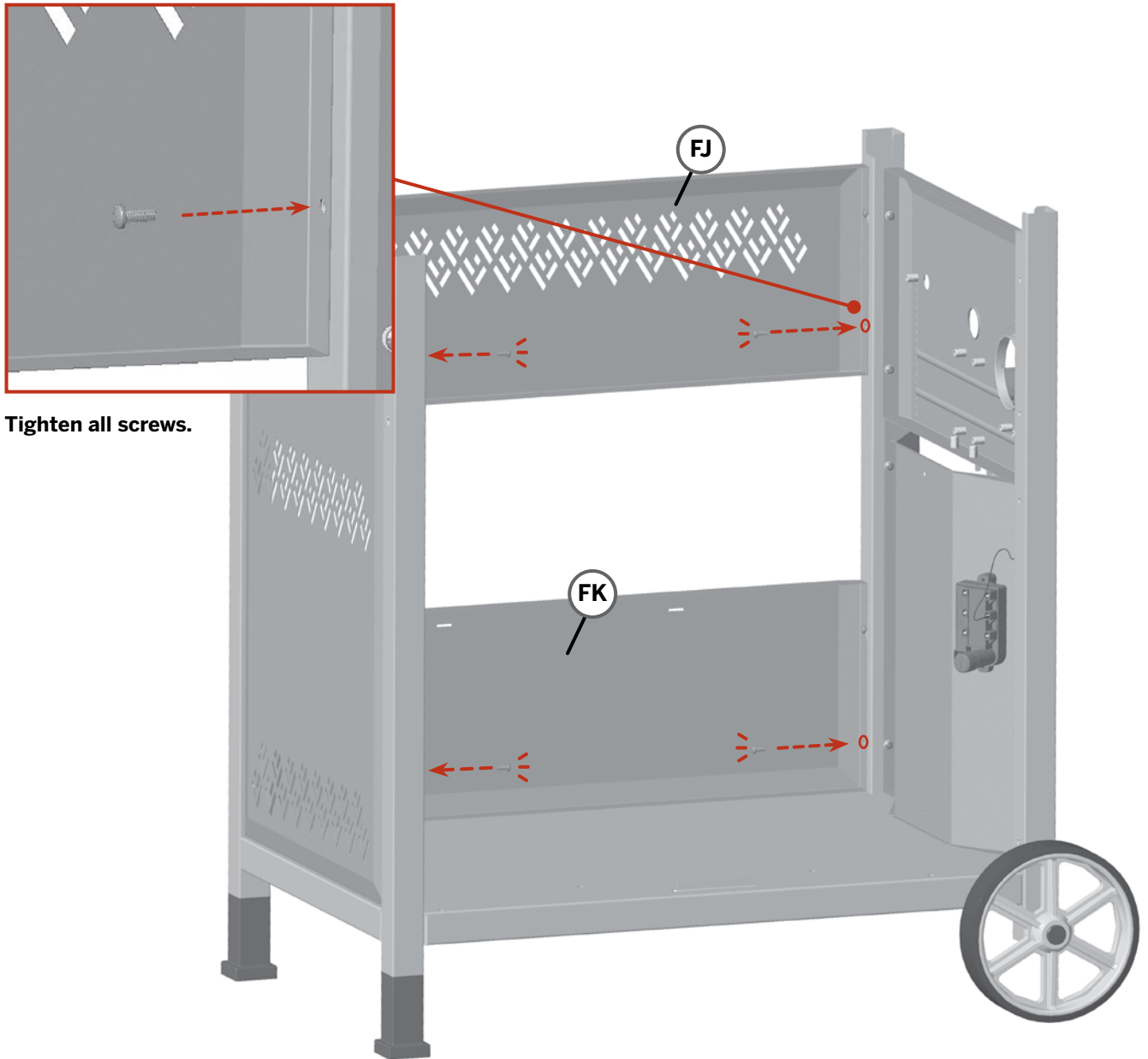
BUILD IT

BUILD IT

STEP 4C



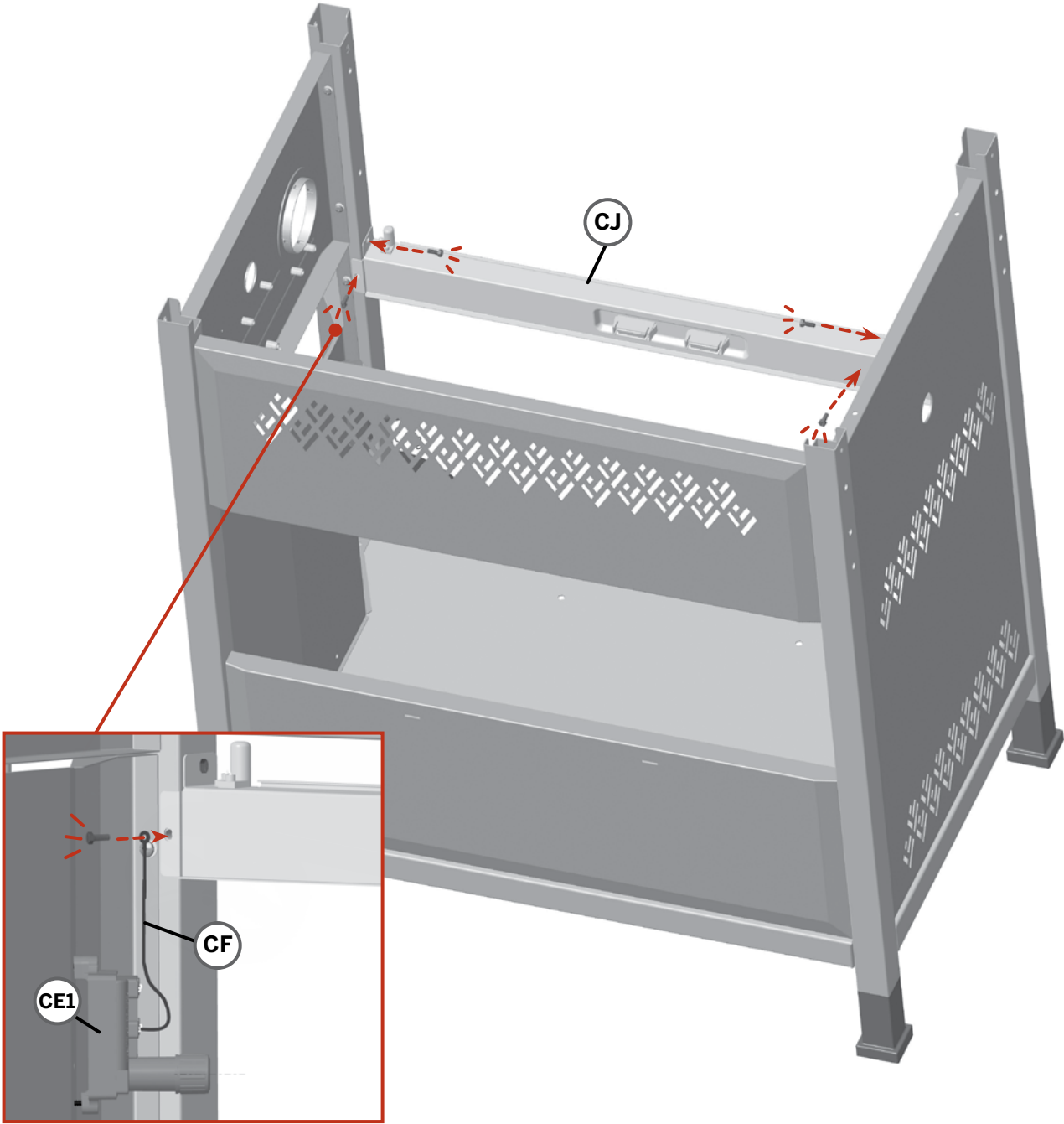
BACK PANEL ASSEMBLY



Tighten all screws.

BUILD IT

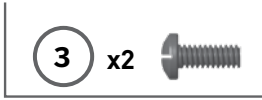
STEP 4D



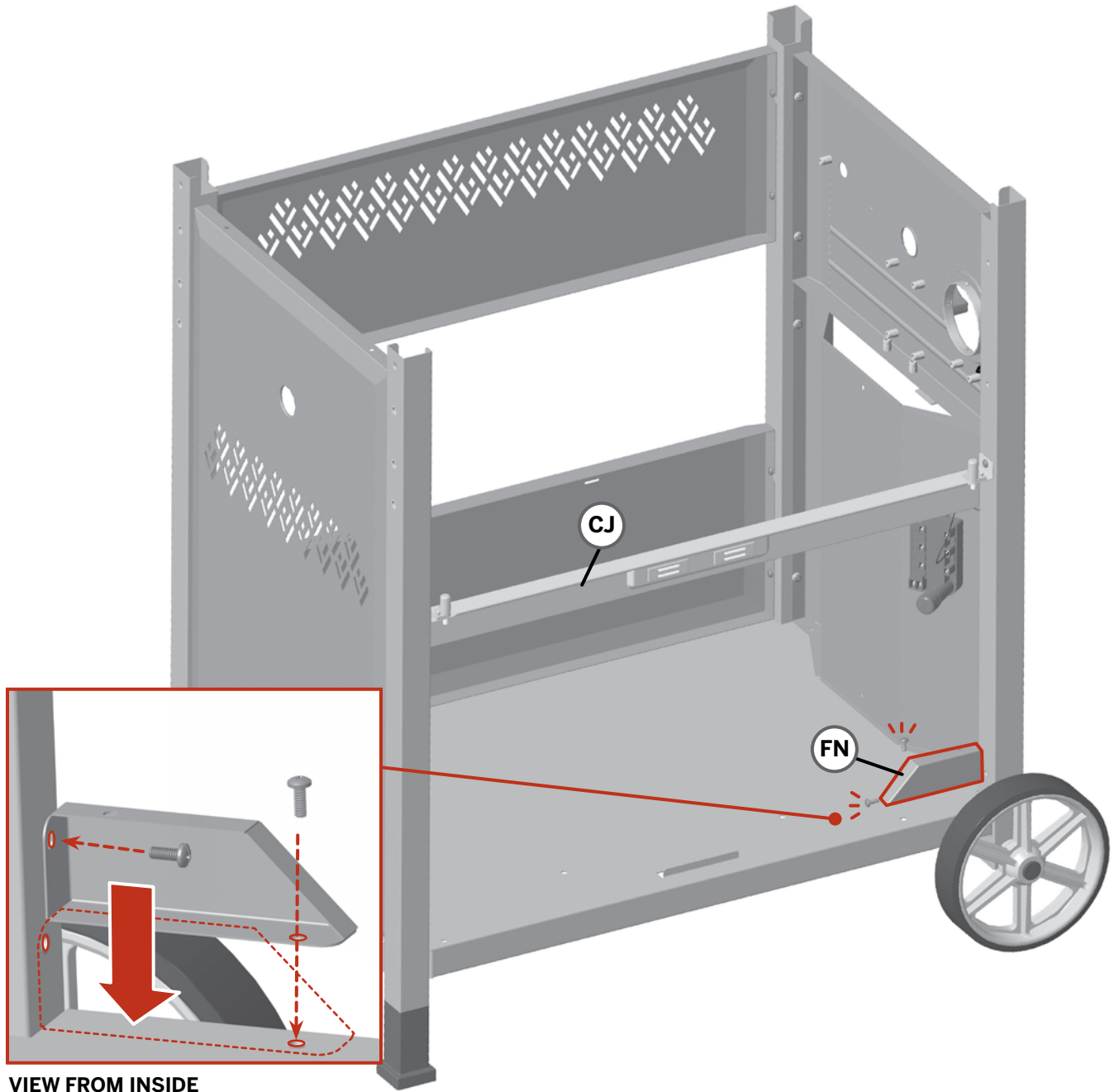
Assemble ground wire.

BUILD IT

STEP 5



BUILD IT



BUILD IT

STEP 6A

PROPANE CUSTOMERS PROCEED TO STEP 6B

FOR NATURAL GAS CONVERSION CUSTOMERS ONLY

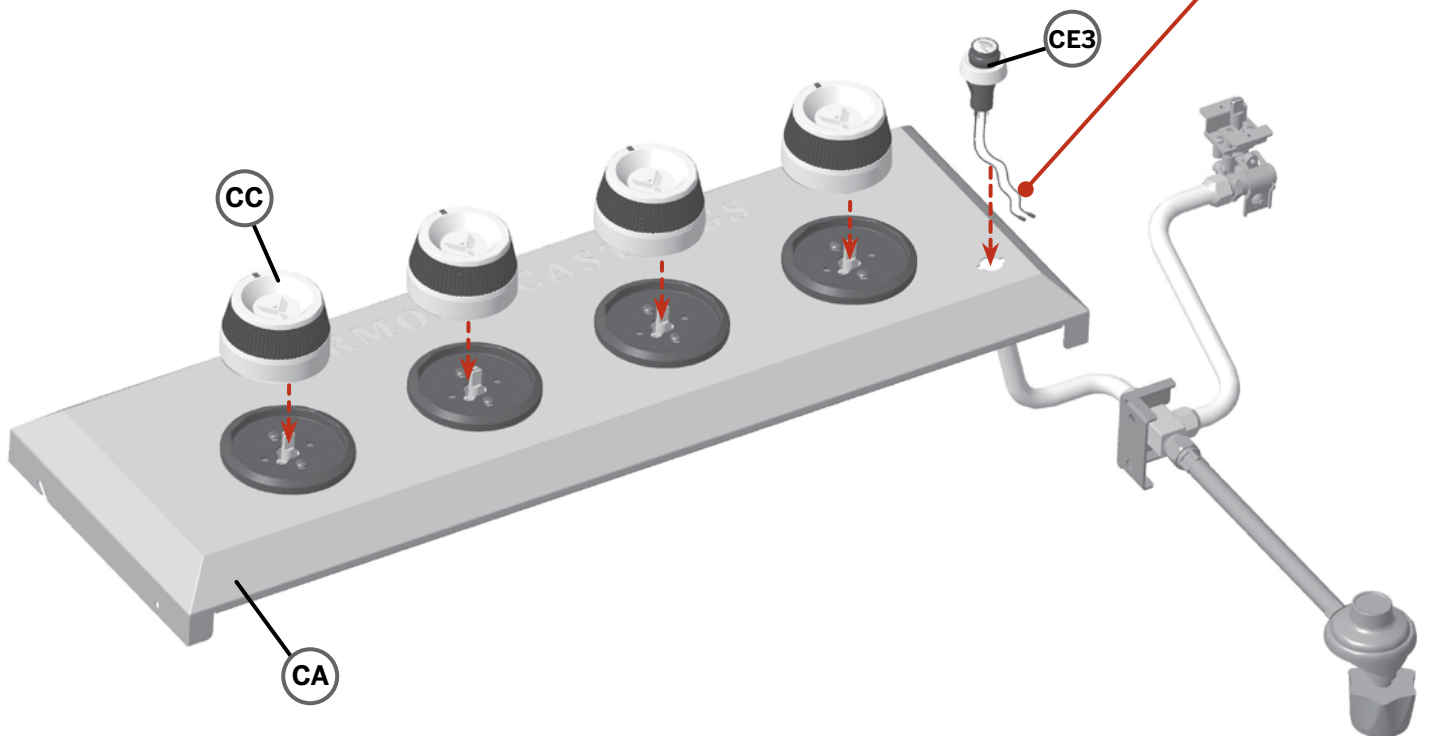
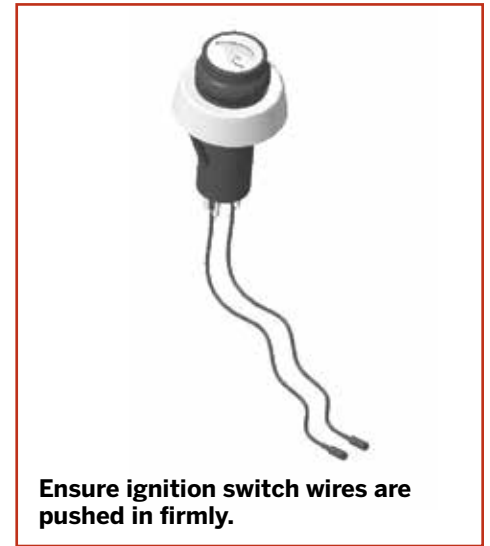
You will need a **Convertible Valve System Kit (Model 085-2261-4)** in this step.



BUILD IT

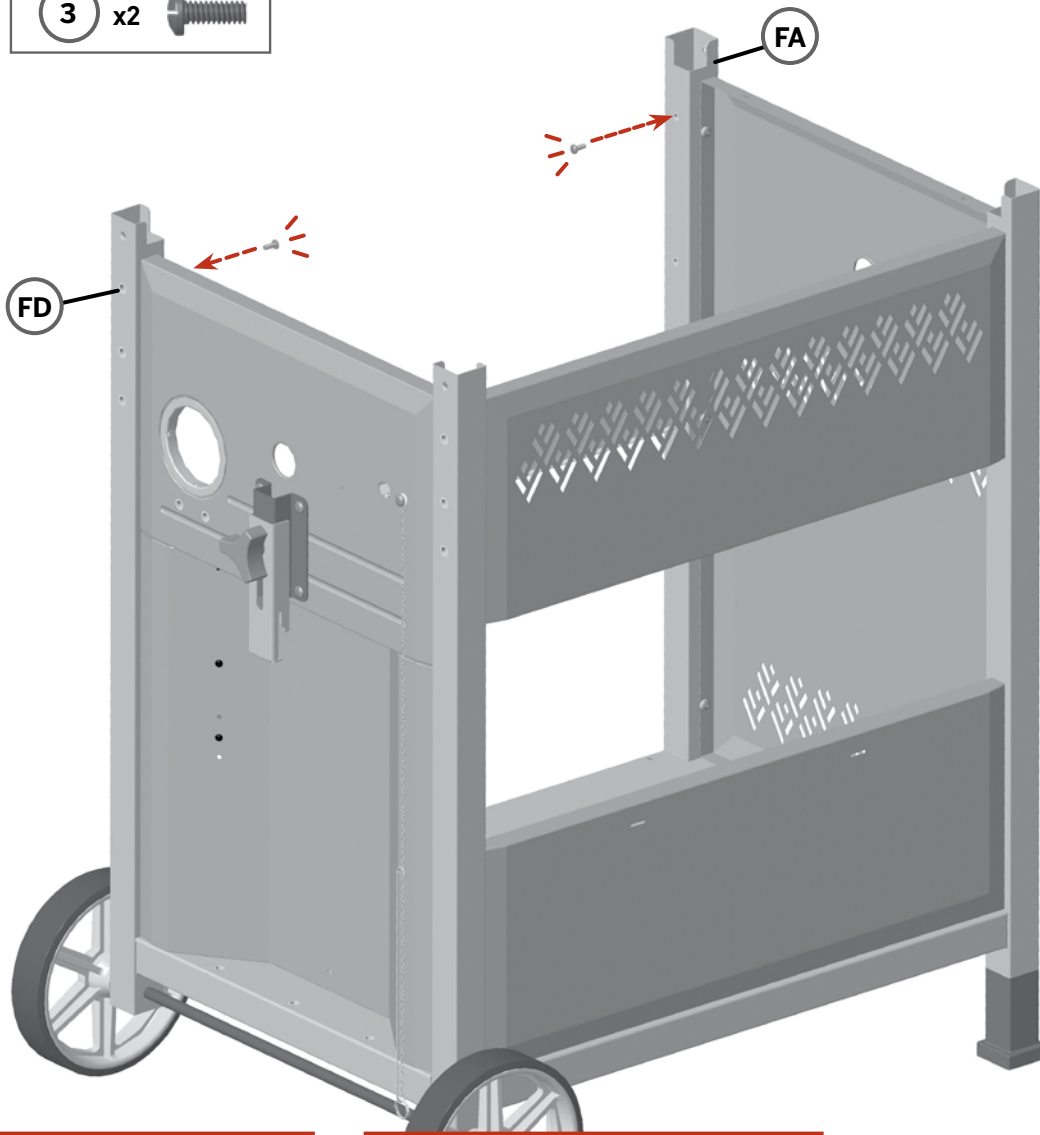
STEP 6B

BUILD IT

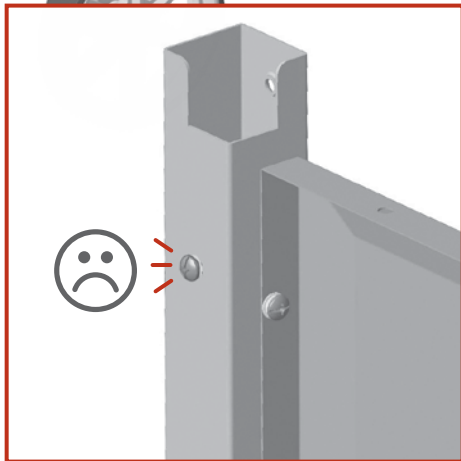
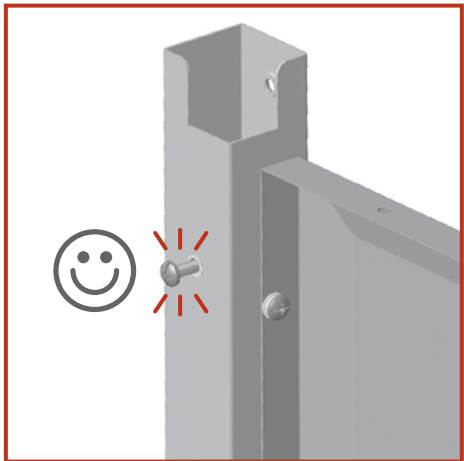


BUILD IT

STEP 6C



BUILD IT

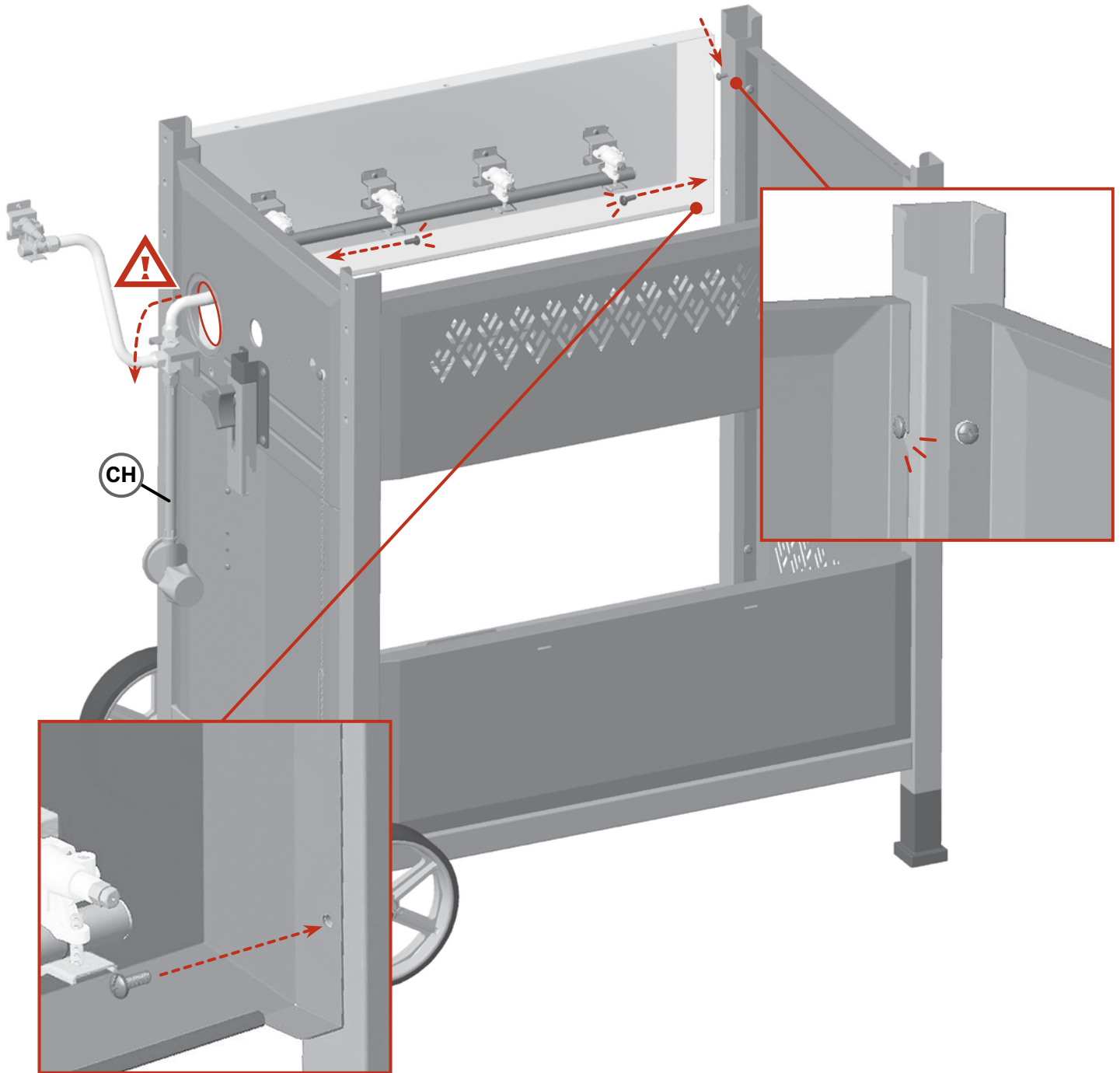


BUILD IT

STEP 6D

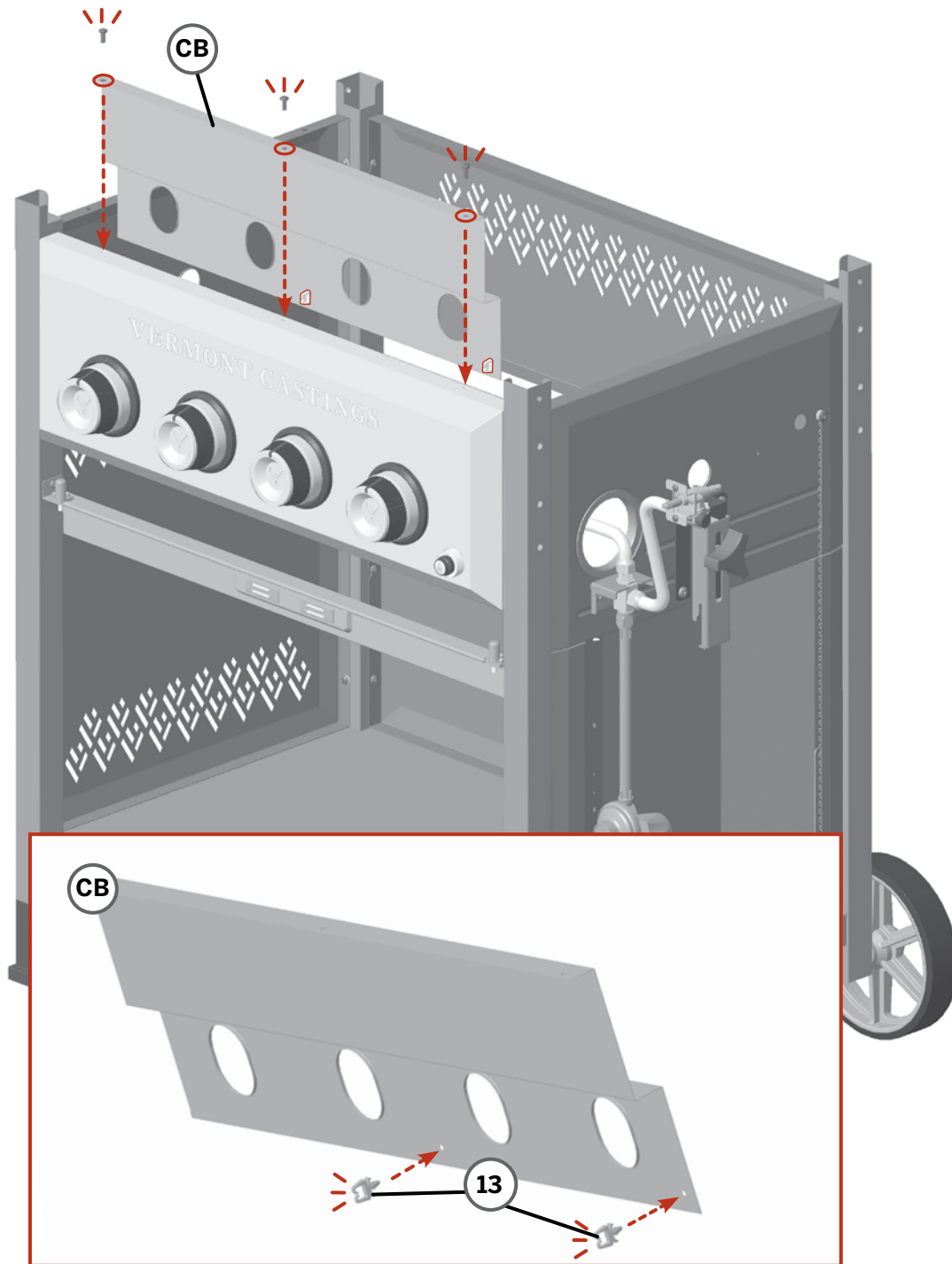


BUILD IT



BUILD IT

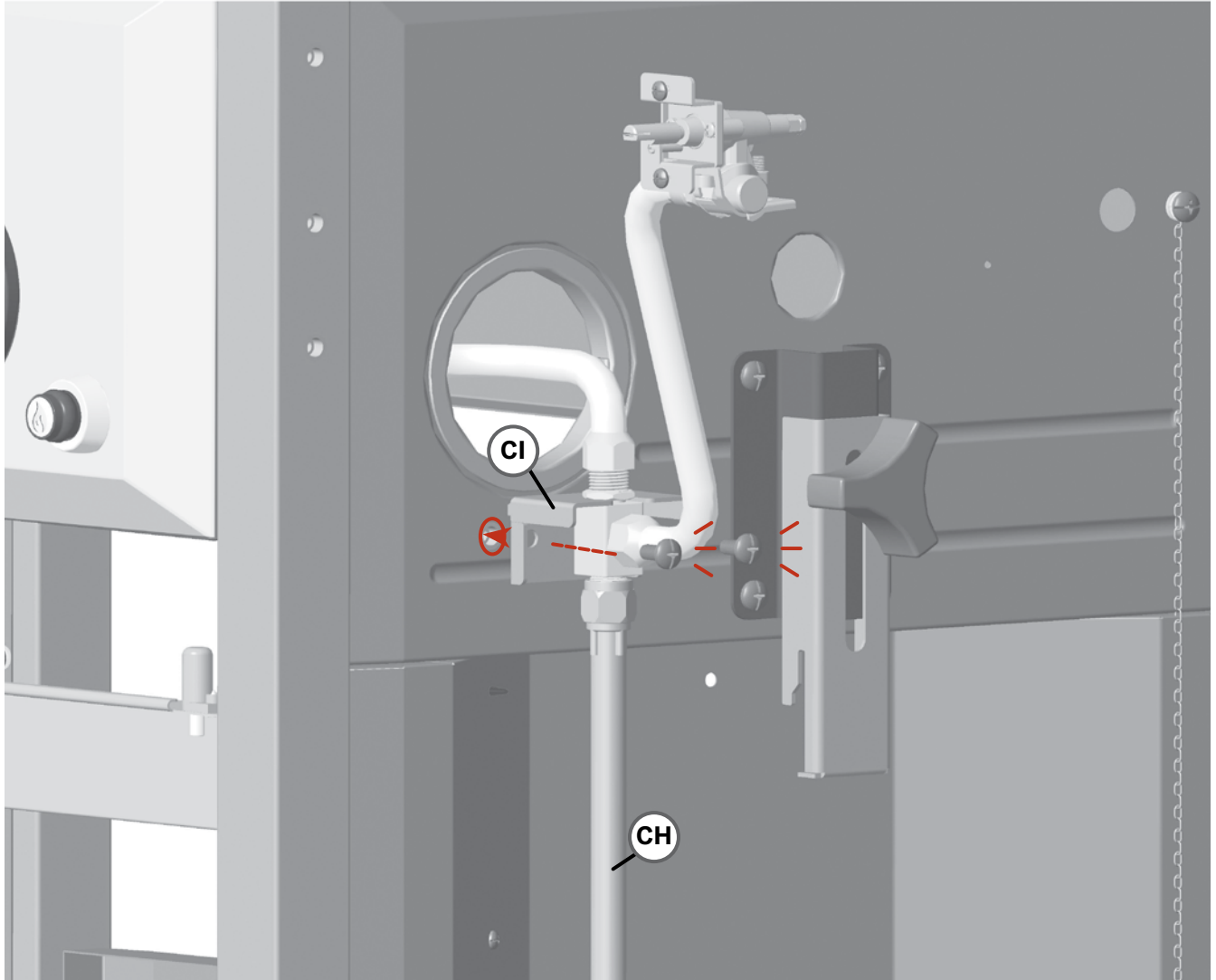
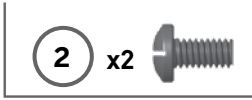
STEP 6E



BUILD IT

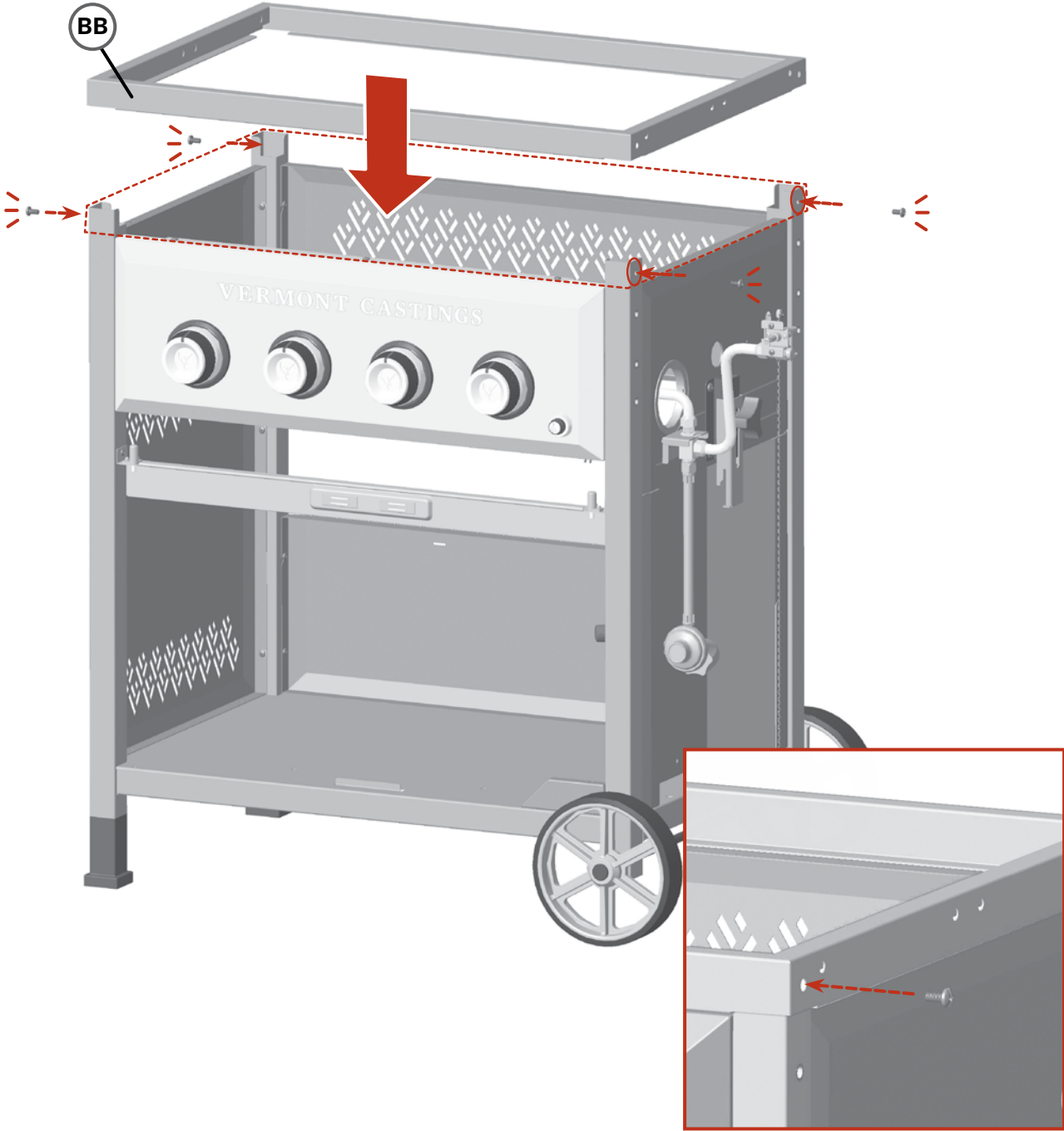
BUILD IT

STEP 7



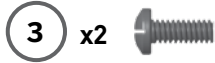
BUILD IT

STEP 8

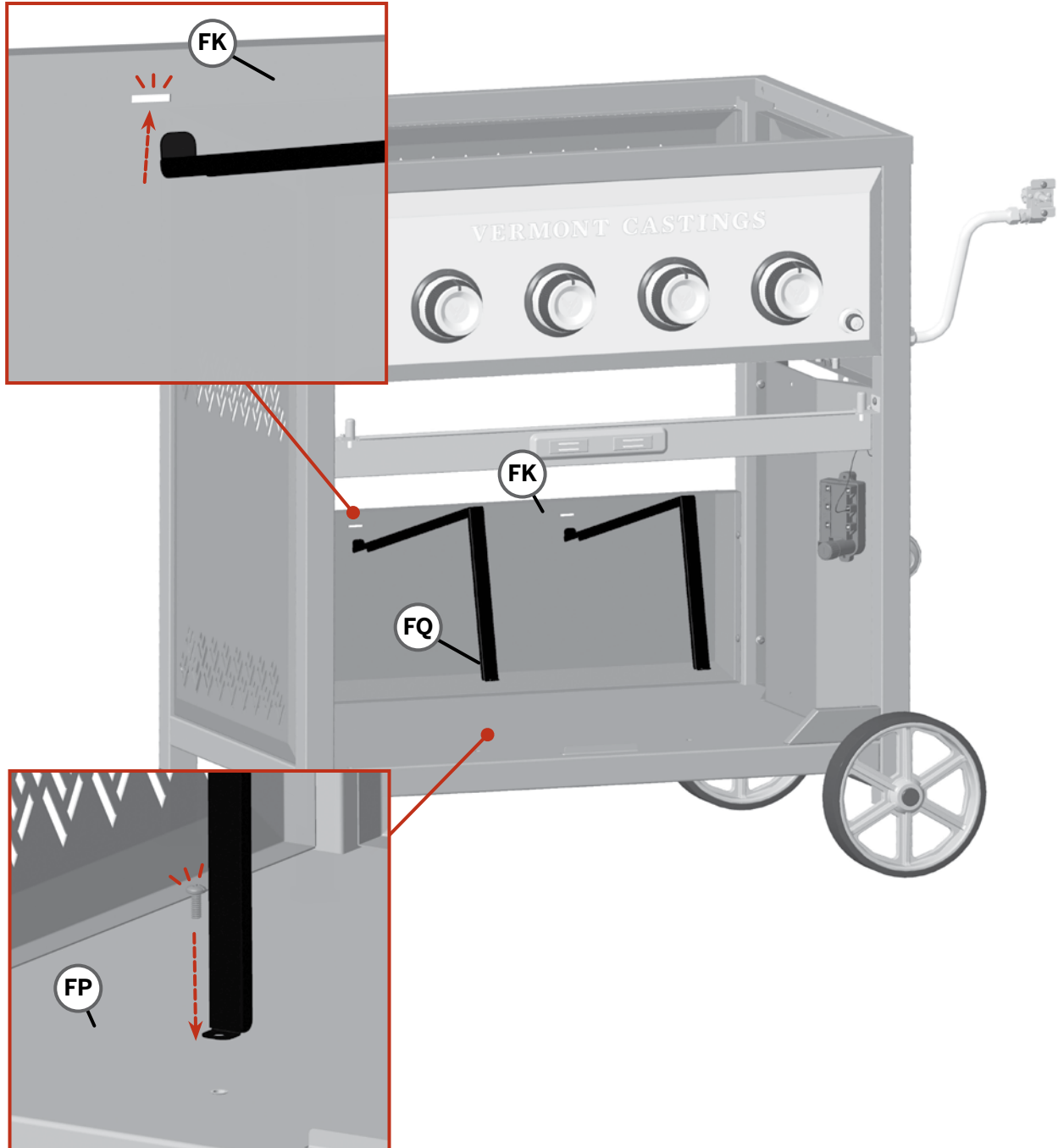


BUILD IT

STEP 9

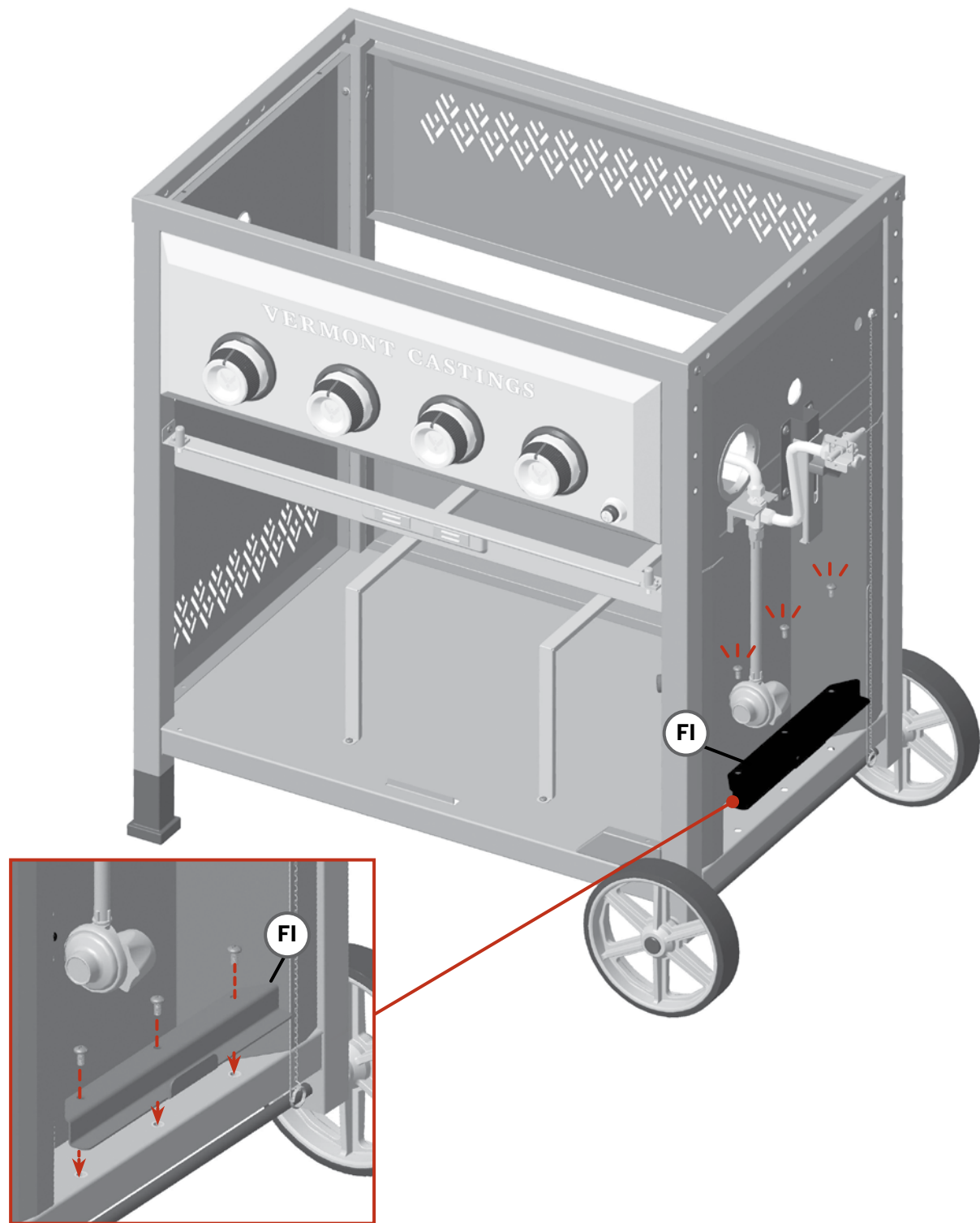


Bend brace upward to enter locator hole in lower back panel



BUILD IT

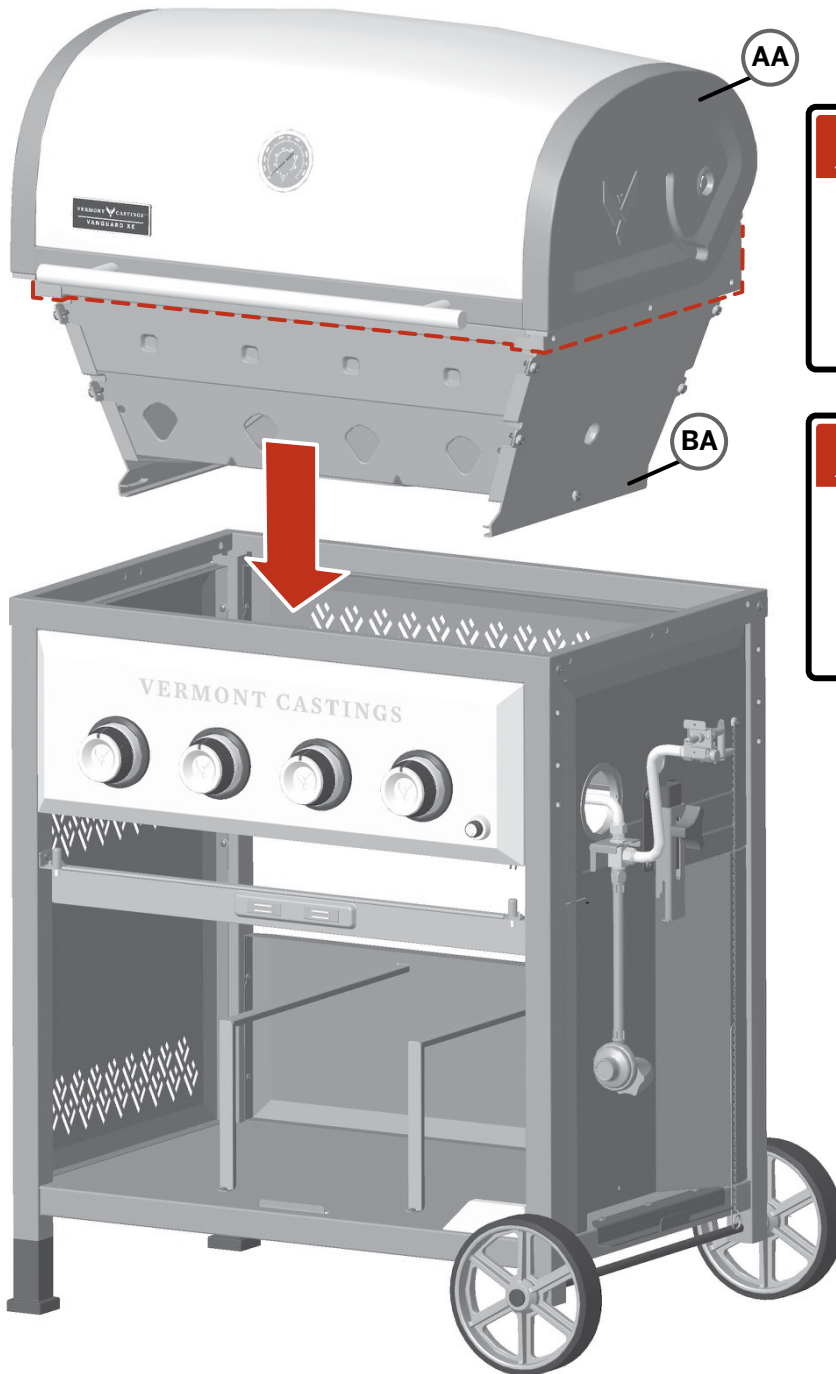
STEP 10



BUILD IT

BUILD IT

STEP 11



SAFETY FIRST



**WATCH YOUR
HANDS AND
FINGERS**

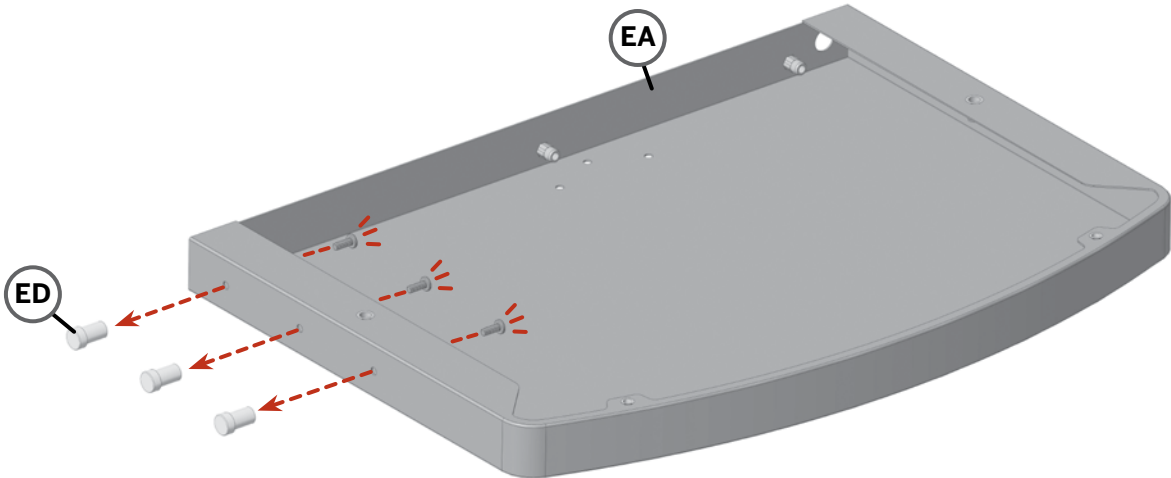
DANGER



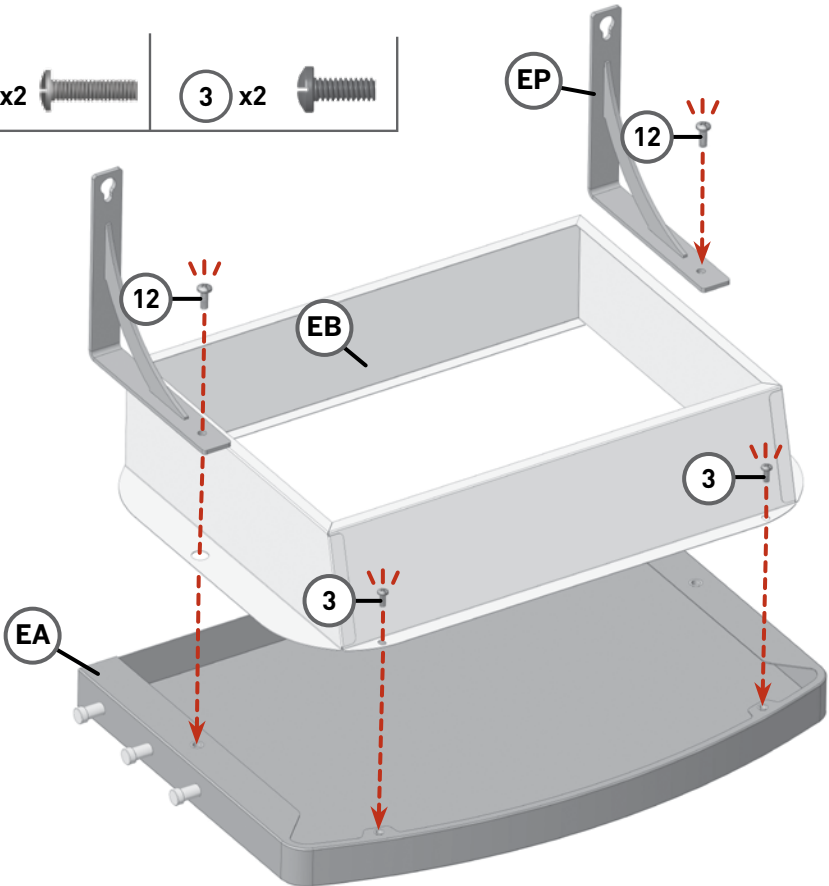
**HEAVY.
LIFT WITH
CARE**

BUILD IT

STEP 12A



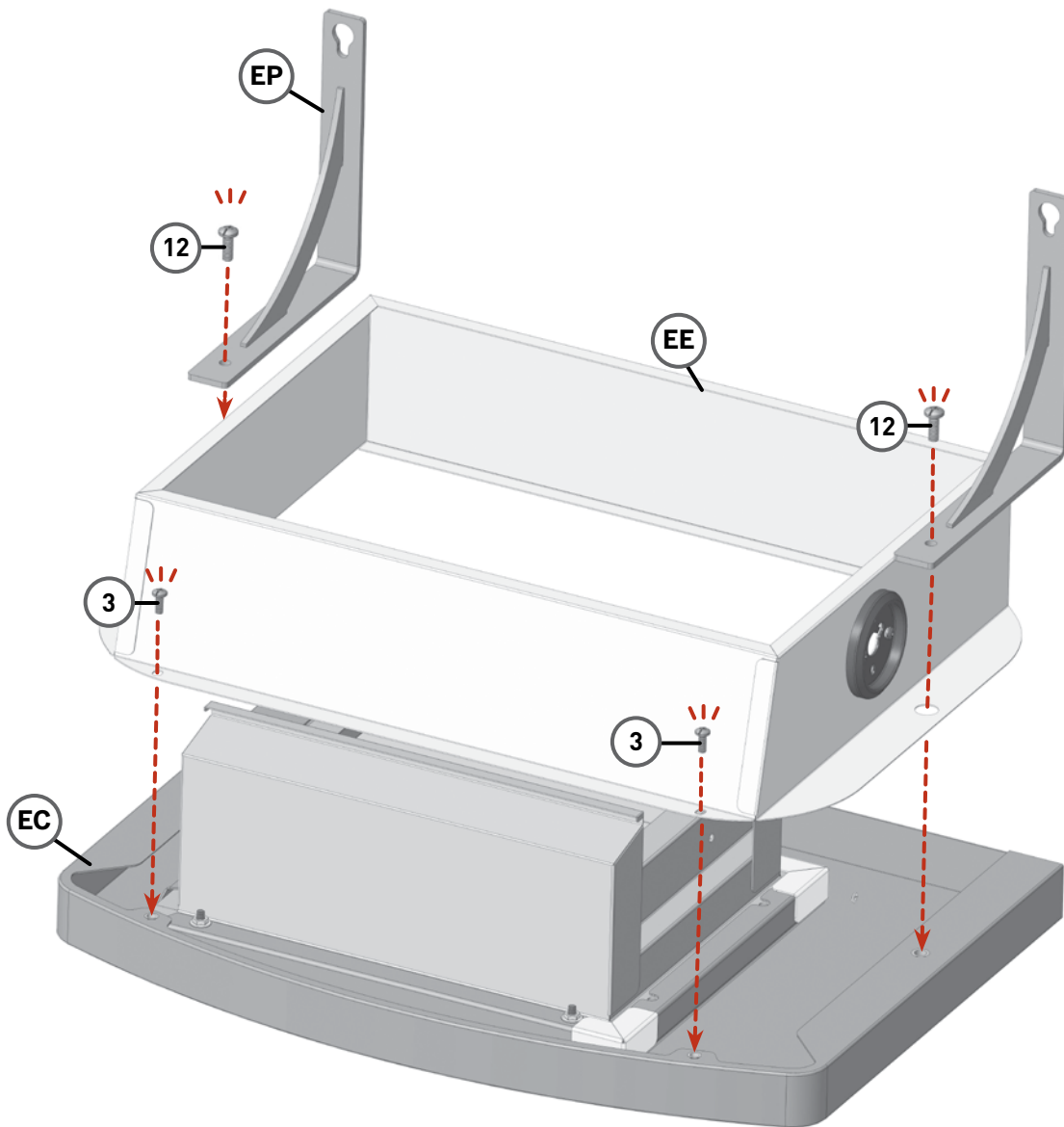
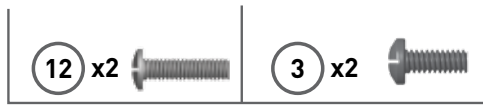
STEP 12B



BUILD IT

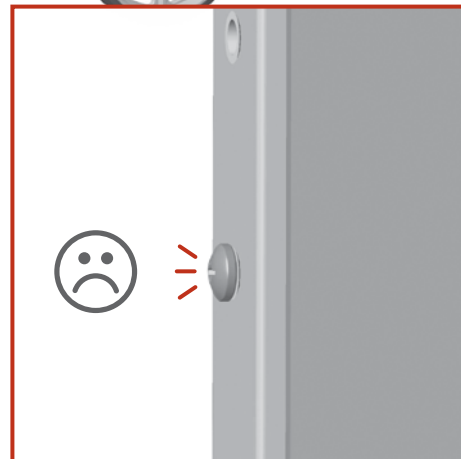
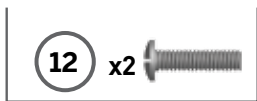
BUILD IT

STEP 12C



BUILD IT

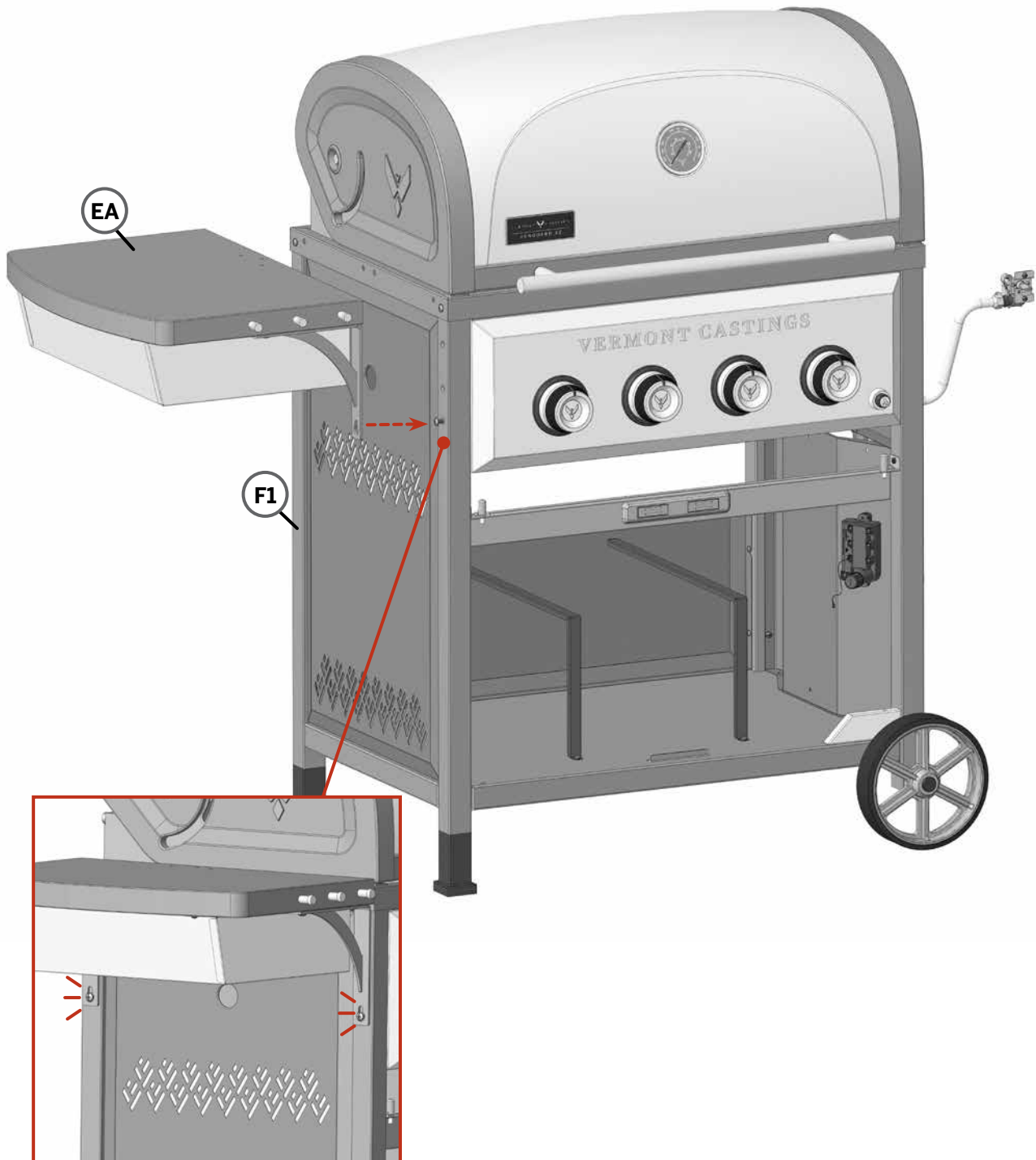
STEP 13A



BUILD IT

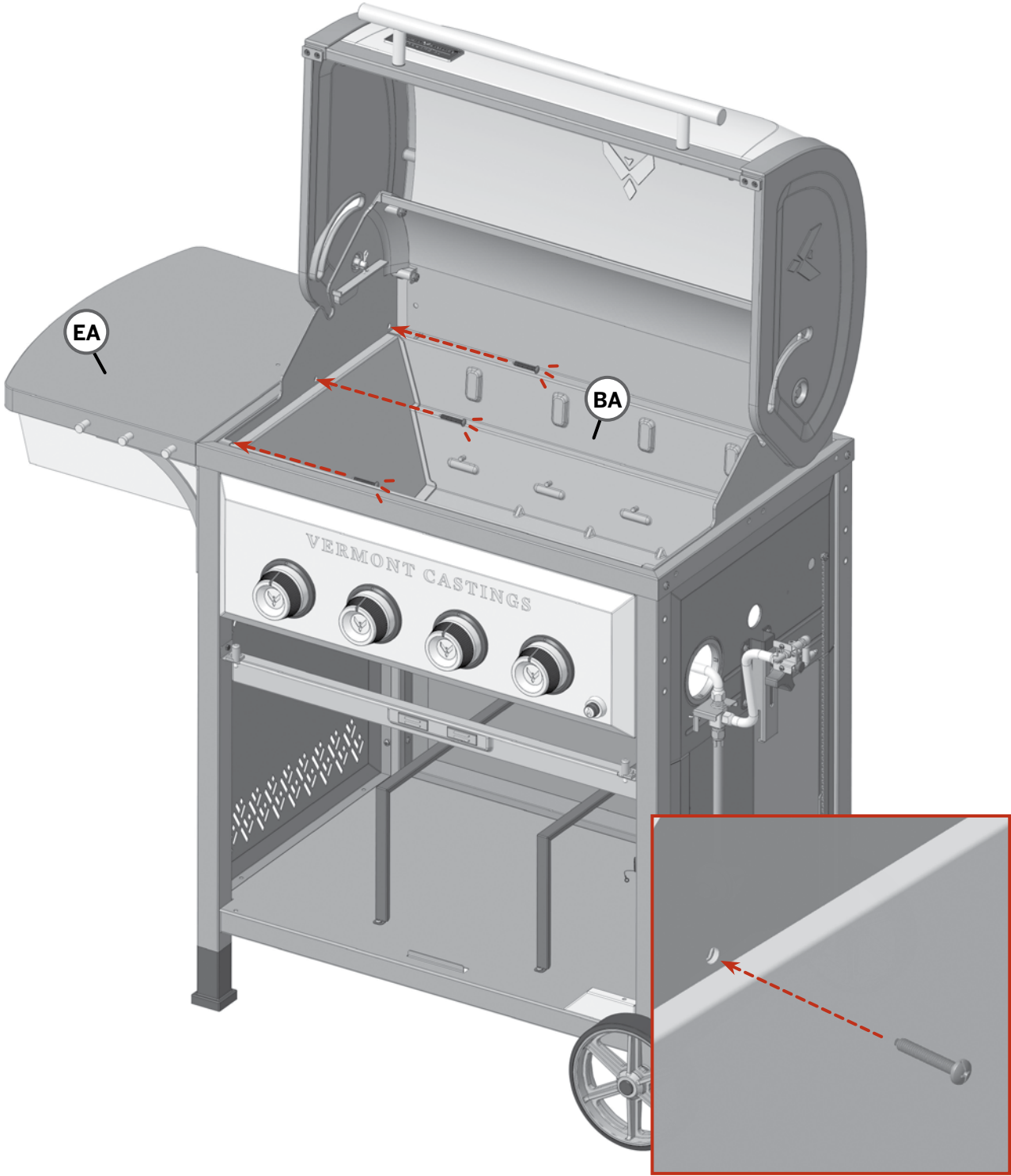
BUILD IT

STEP 13B



BUILD IT


STEP 13C

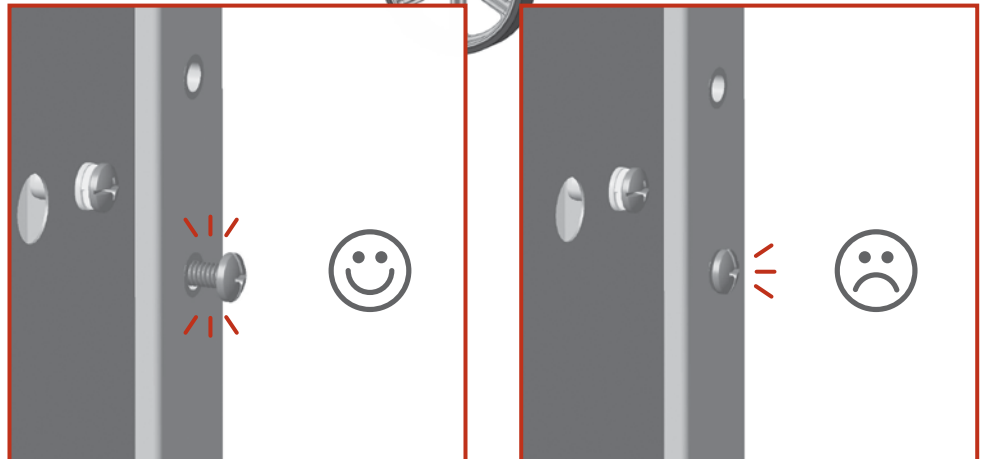
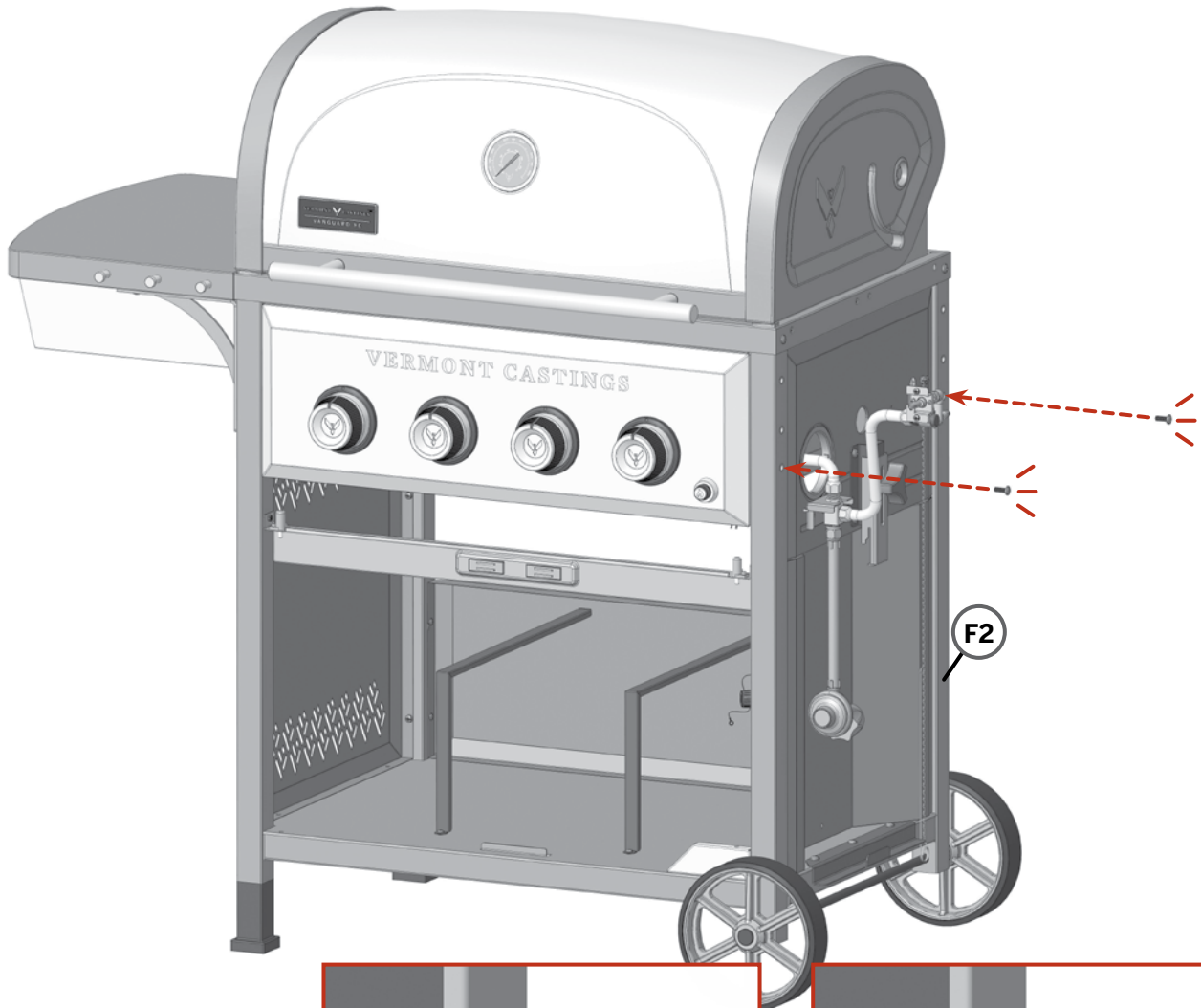


BUILD IT

BUILD IT

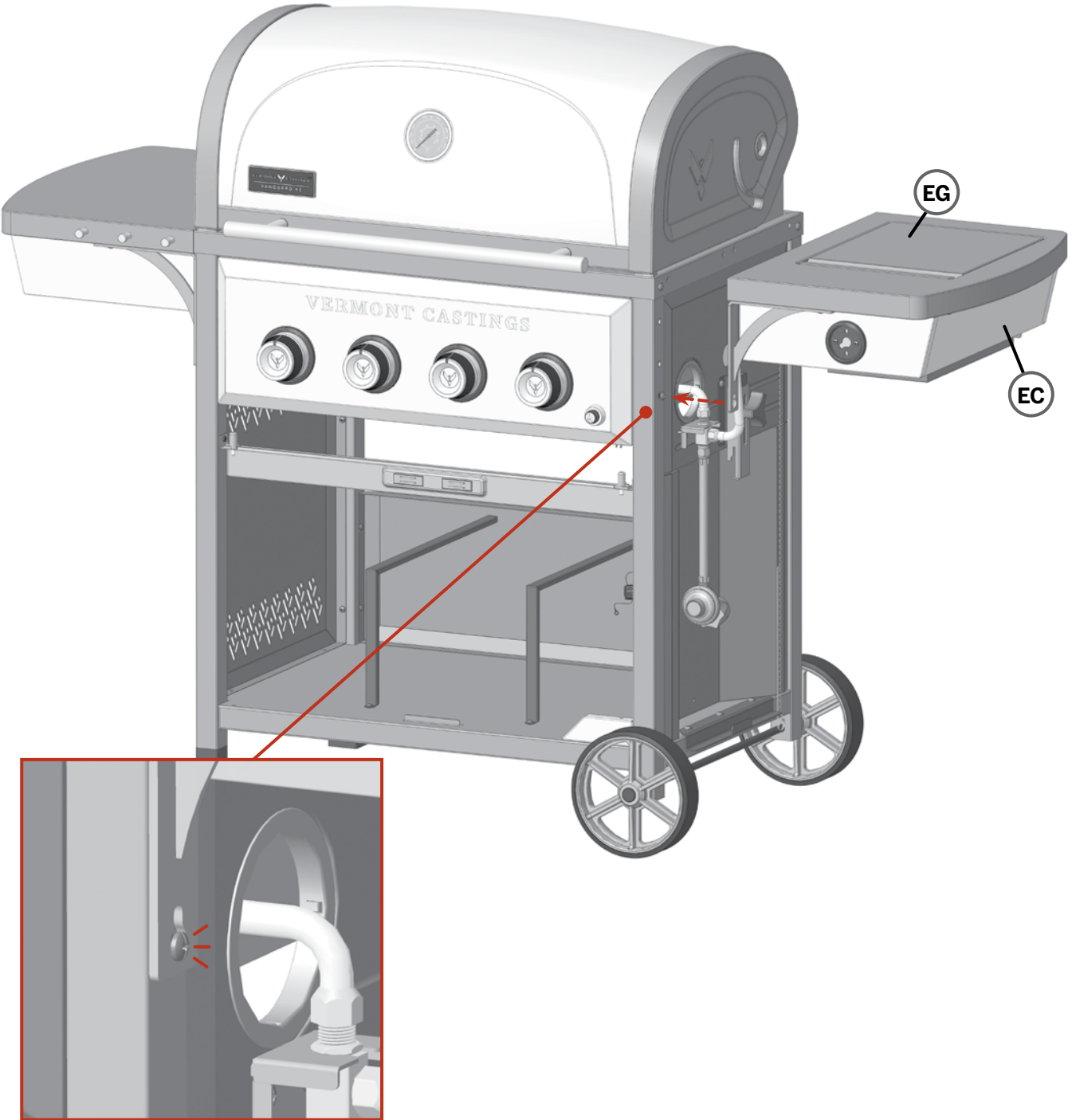
STEP 13D

12 x2 



BUILD IT

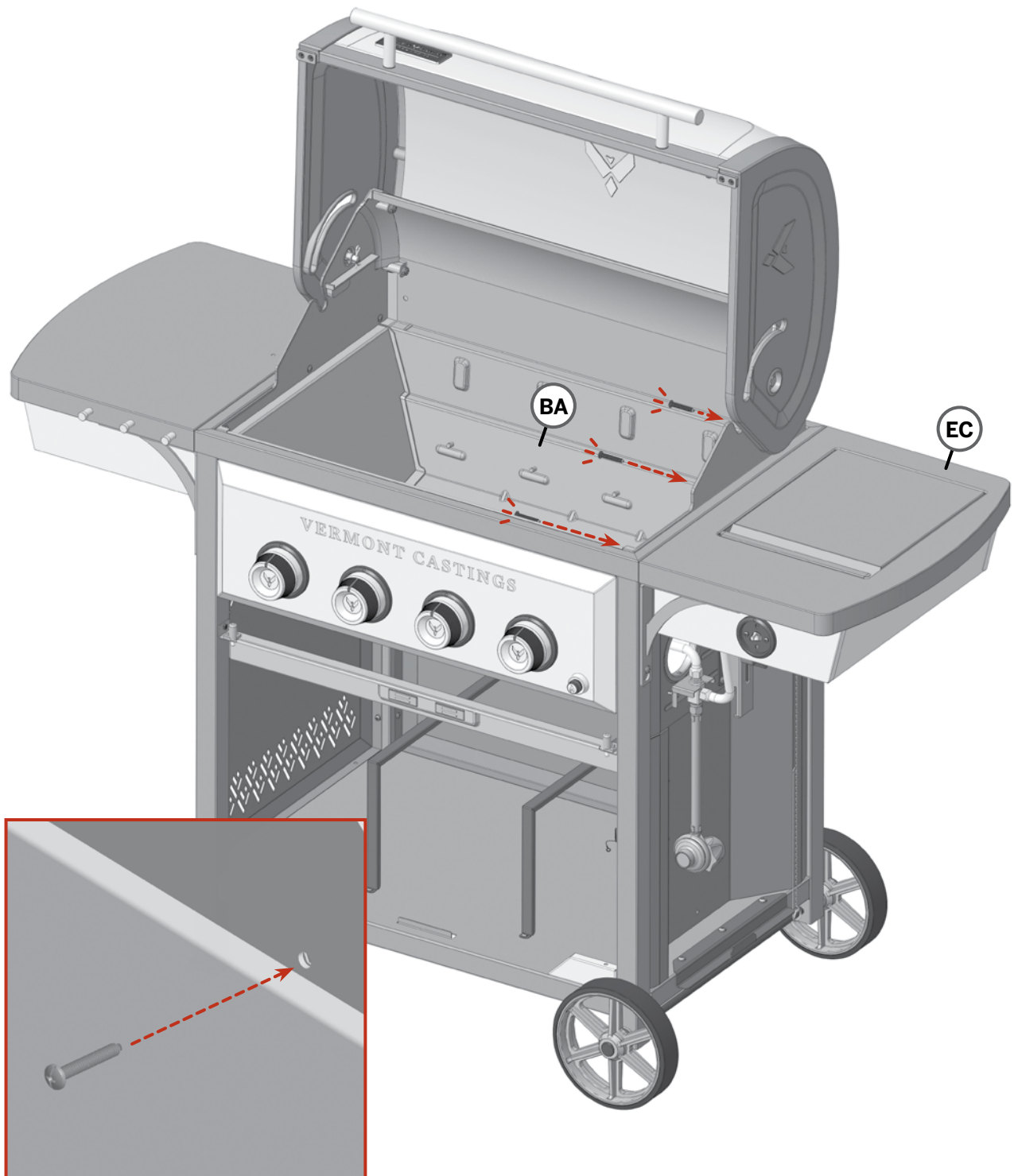
STEP 13E



BUILD IT

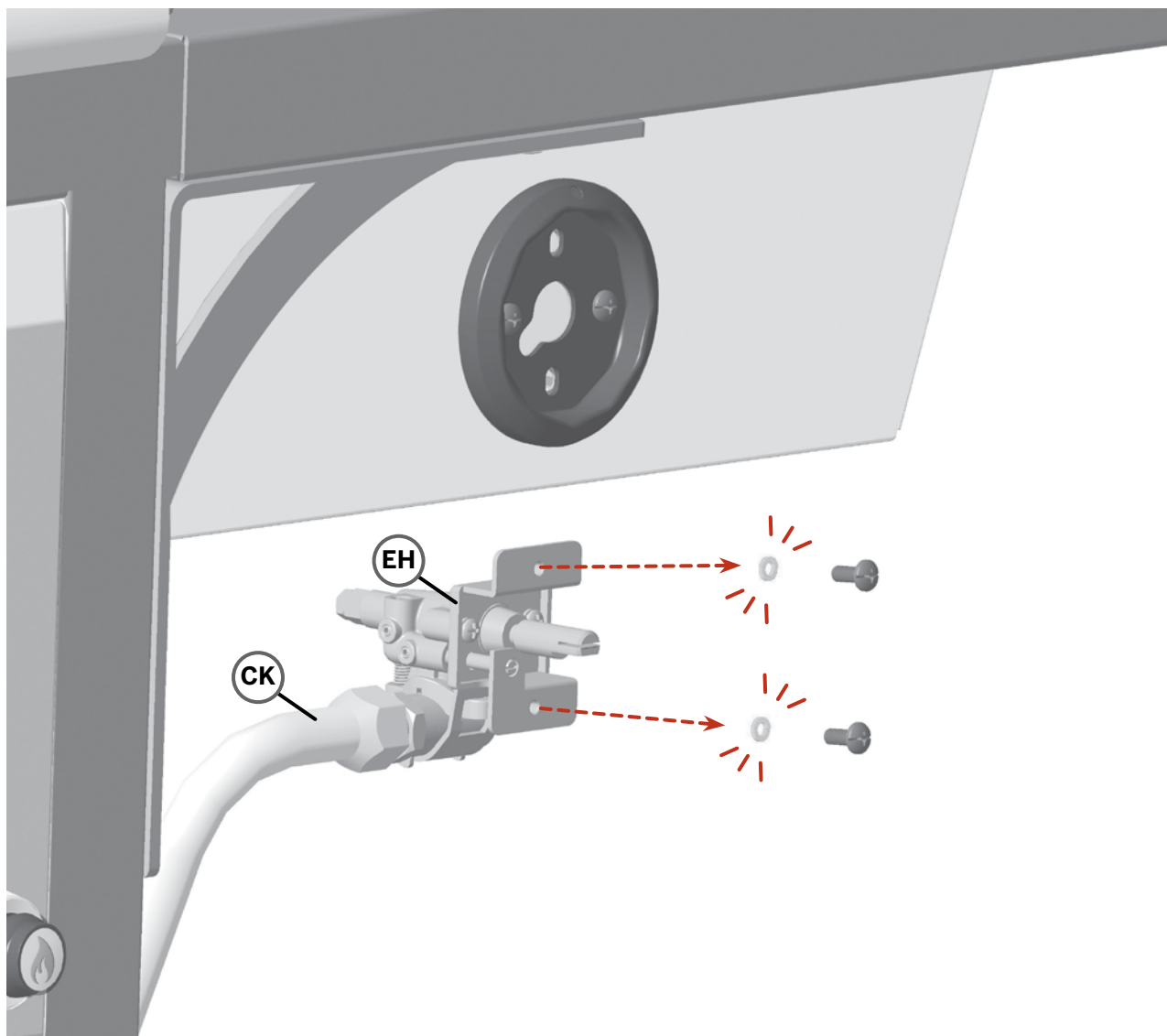
STEP 13F

1 x3



BUILD IT

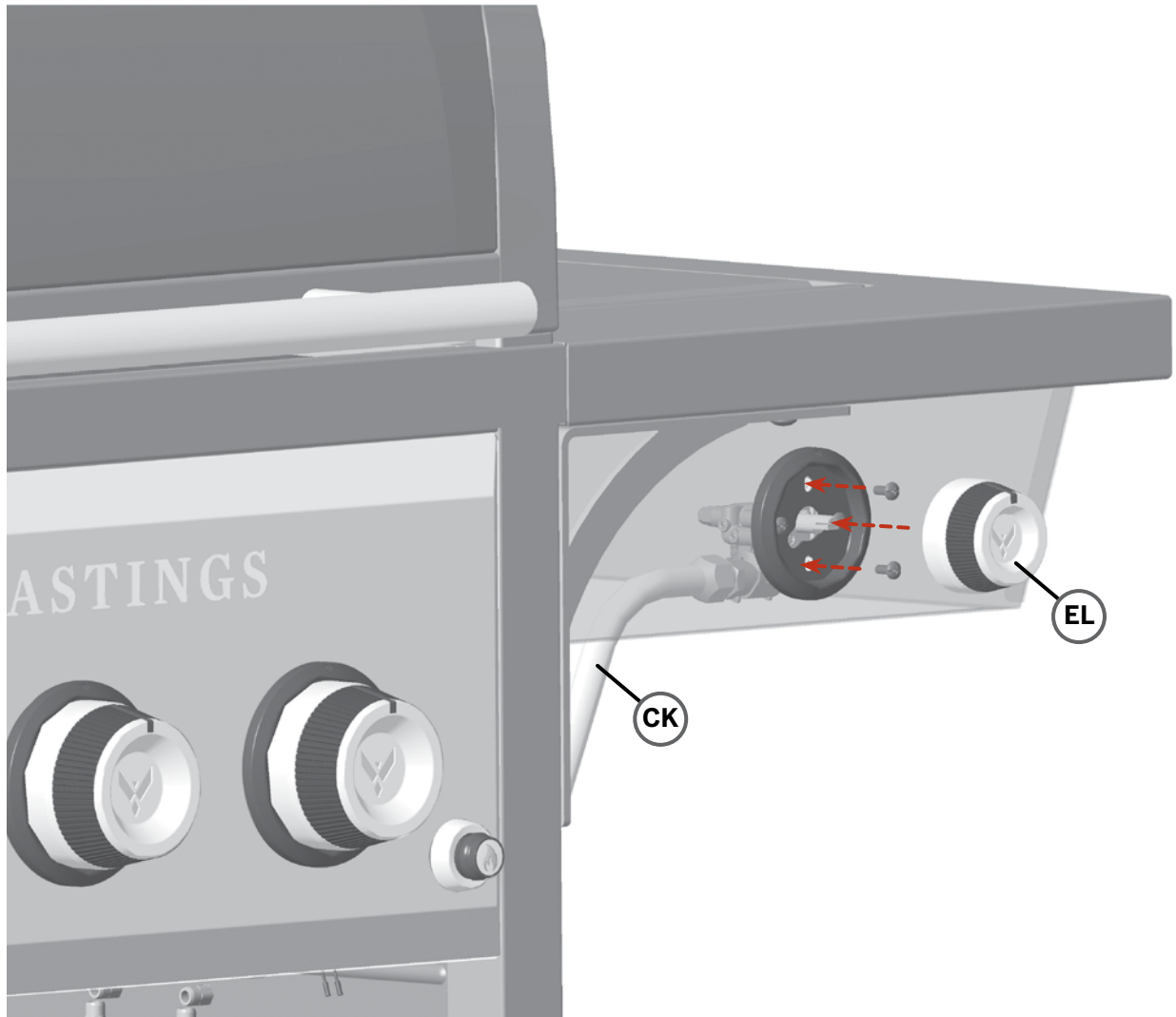
STEP 13G Remove hardware from the valve.



BUILD IT

STEP 13H

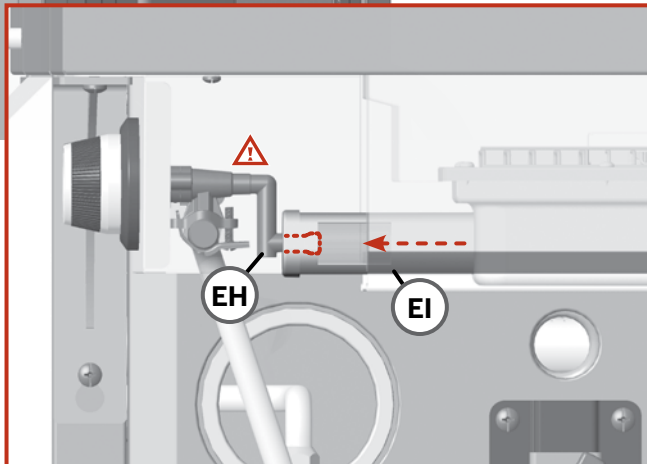
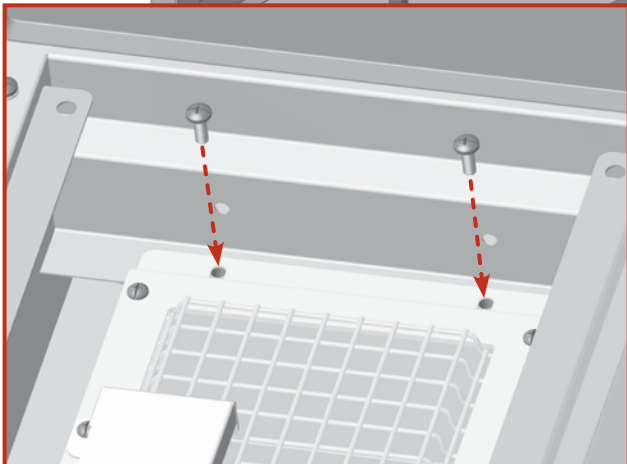
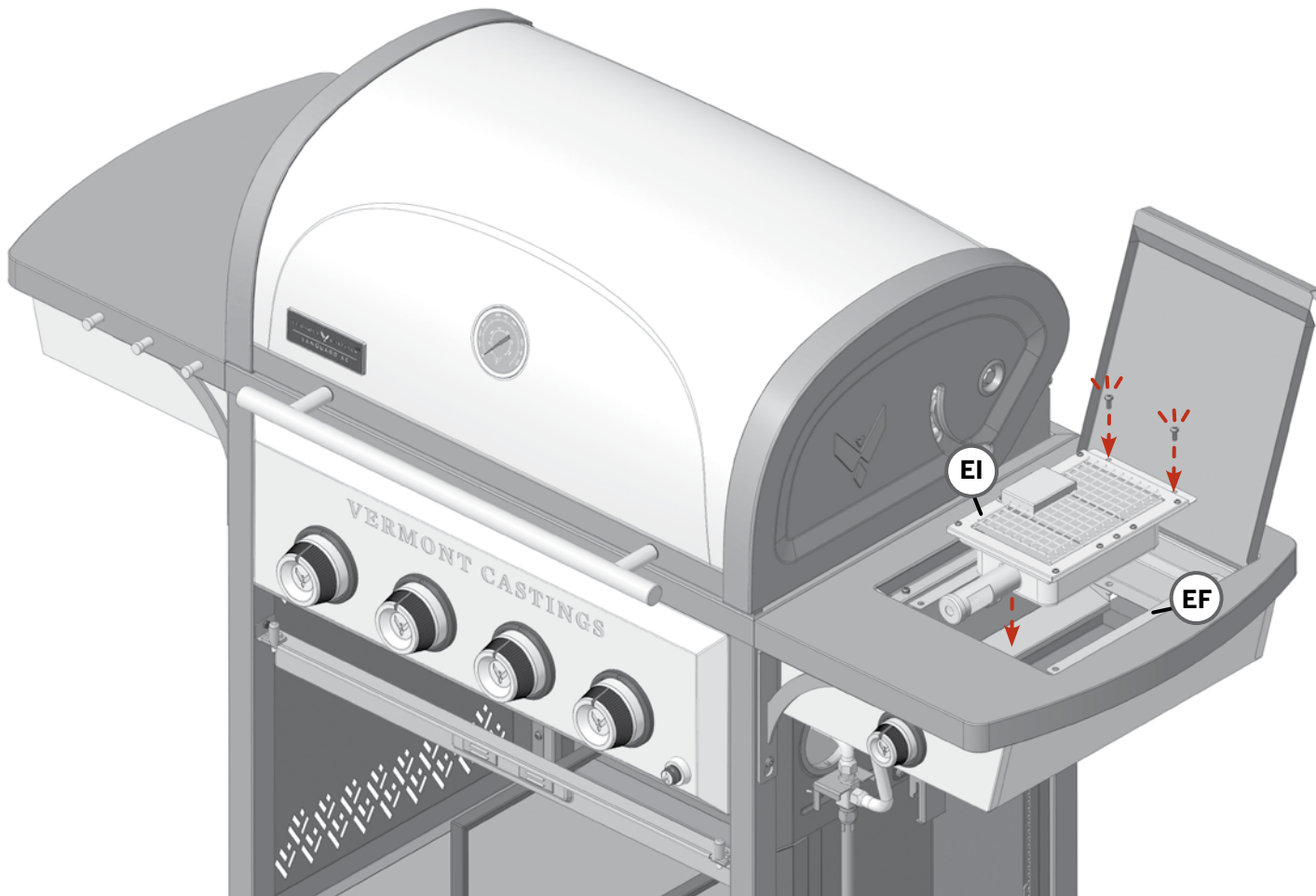
BUILD IT



BUILD IT

STEP 13I

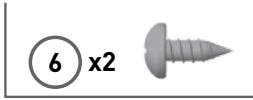
3 x2 



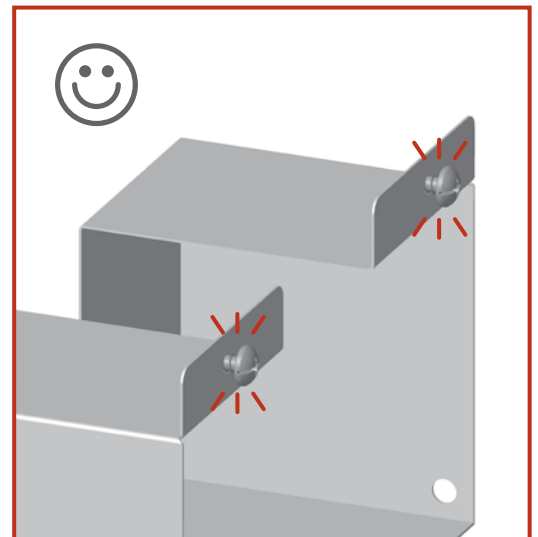
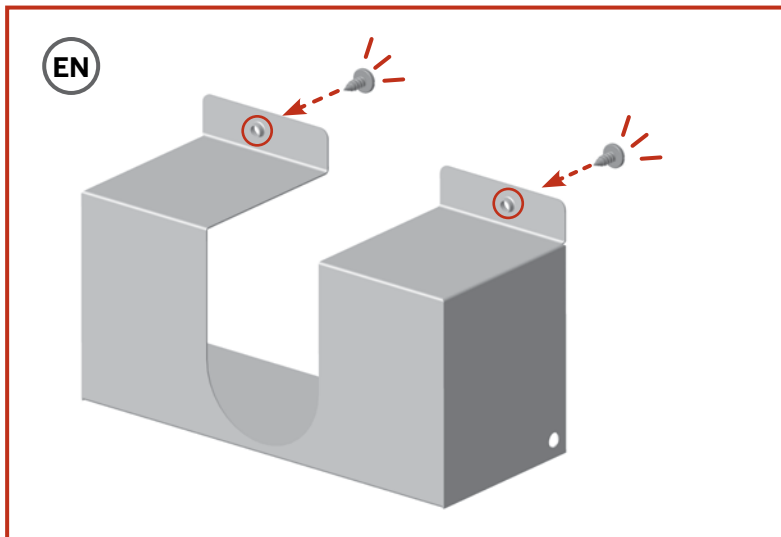
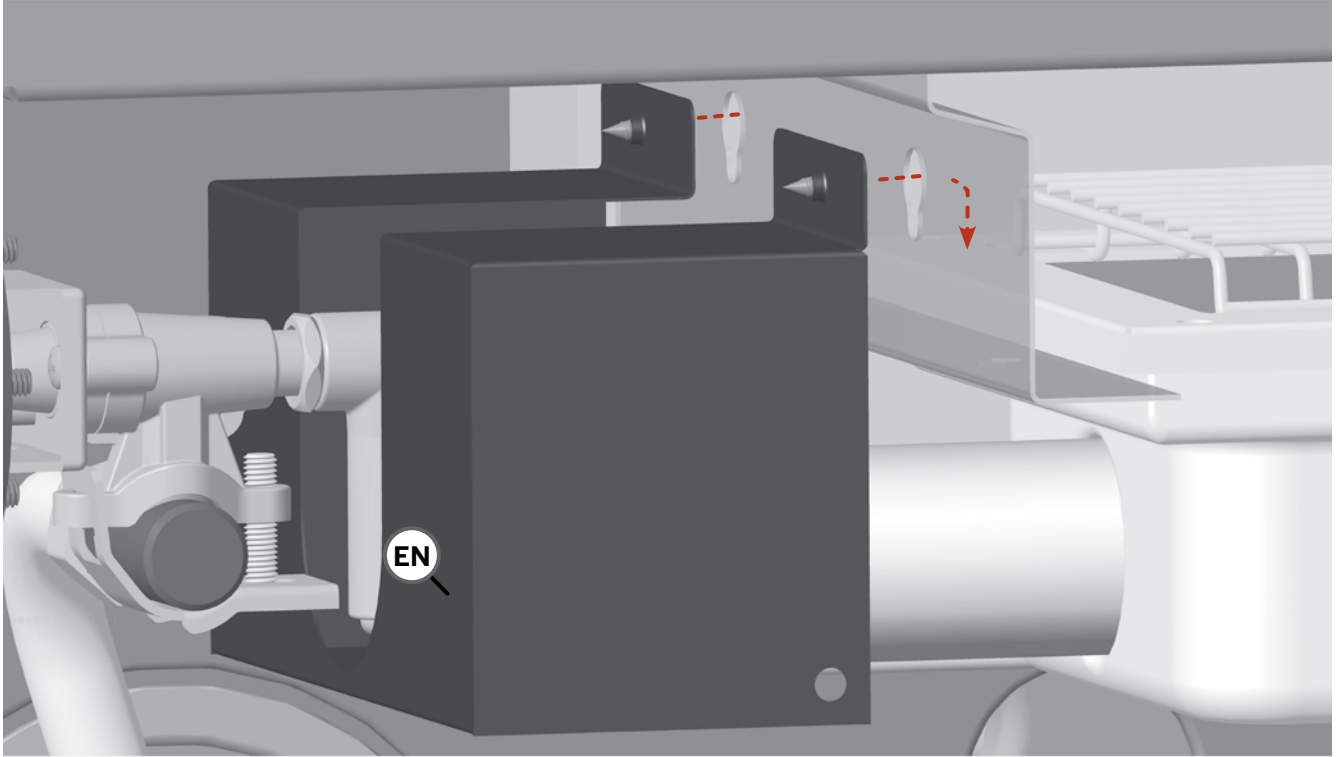
BUILD IT

BUILD IT

STEP 13J

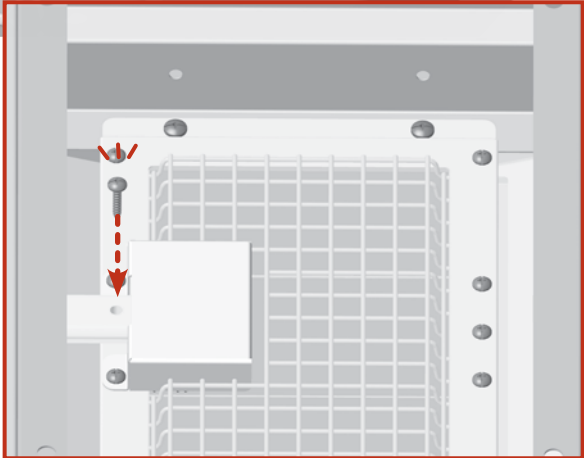
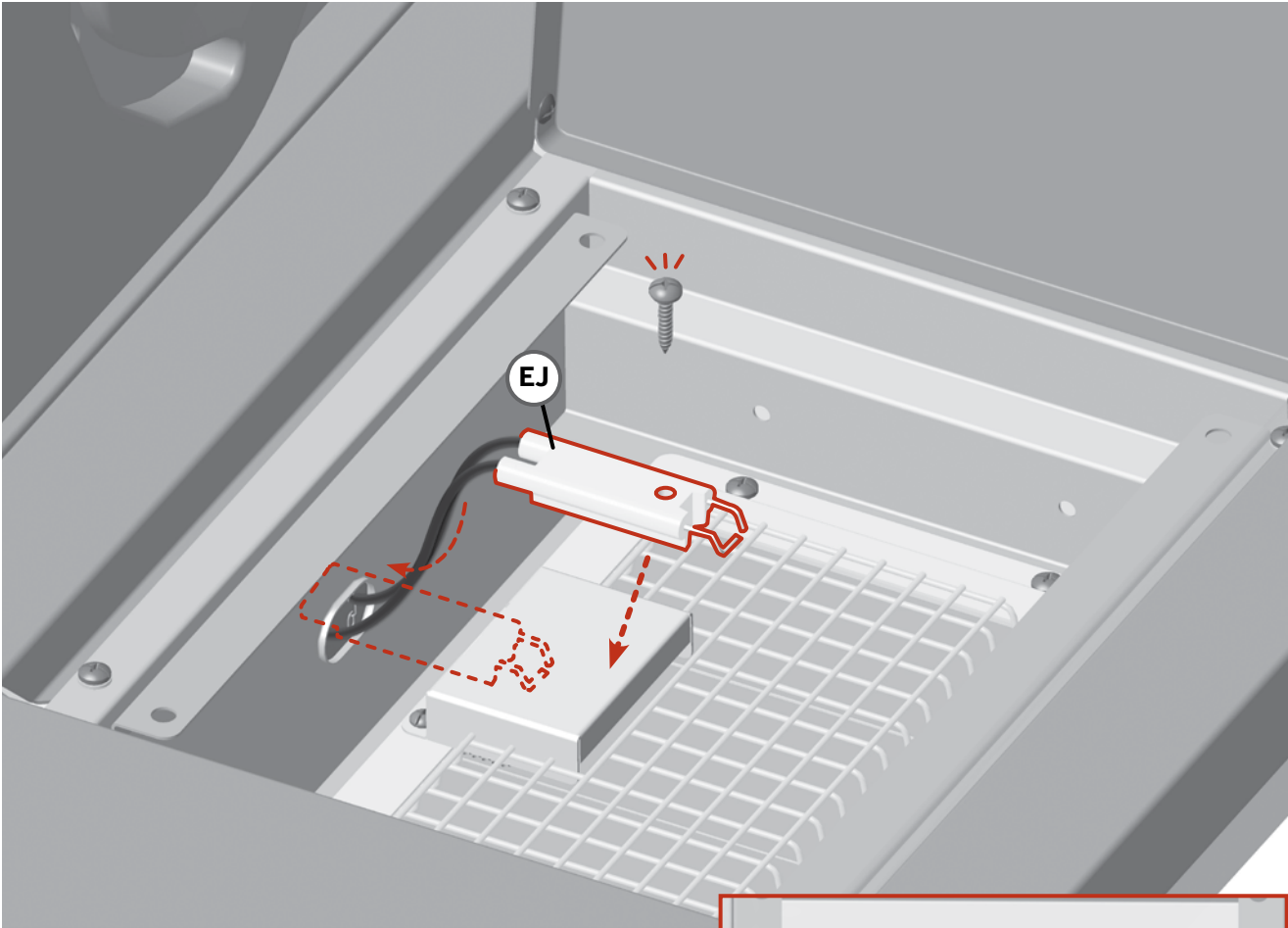


⚠ Once the infrared side burner heat shield is securely in place, tighten screws.



BUILD IT

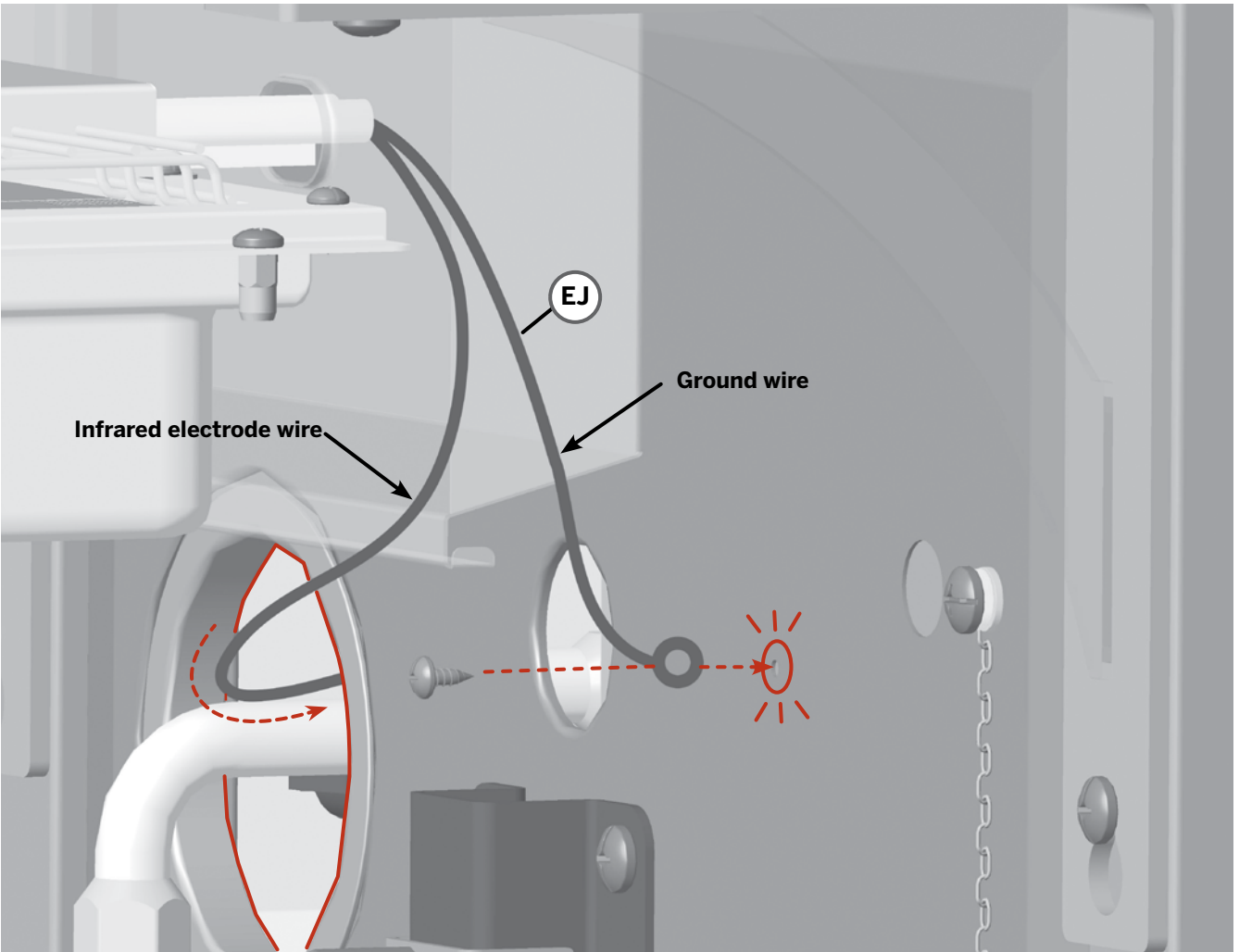
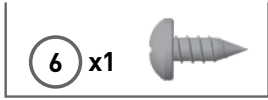
STEP 13K



BUILD IT

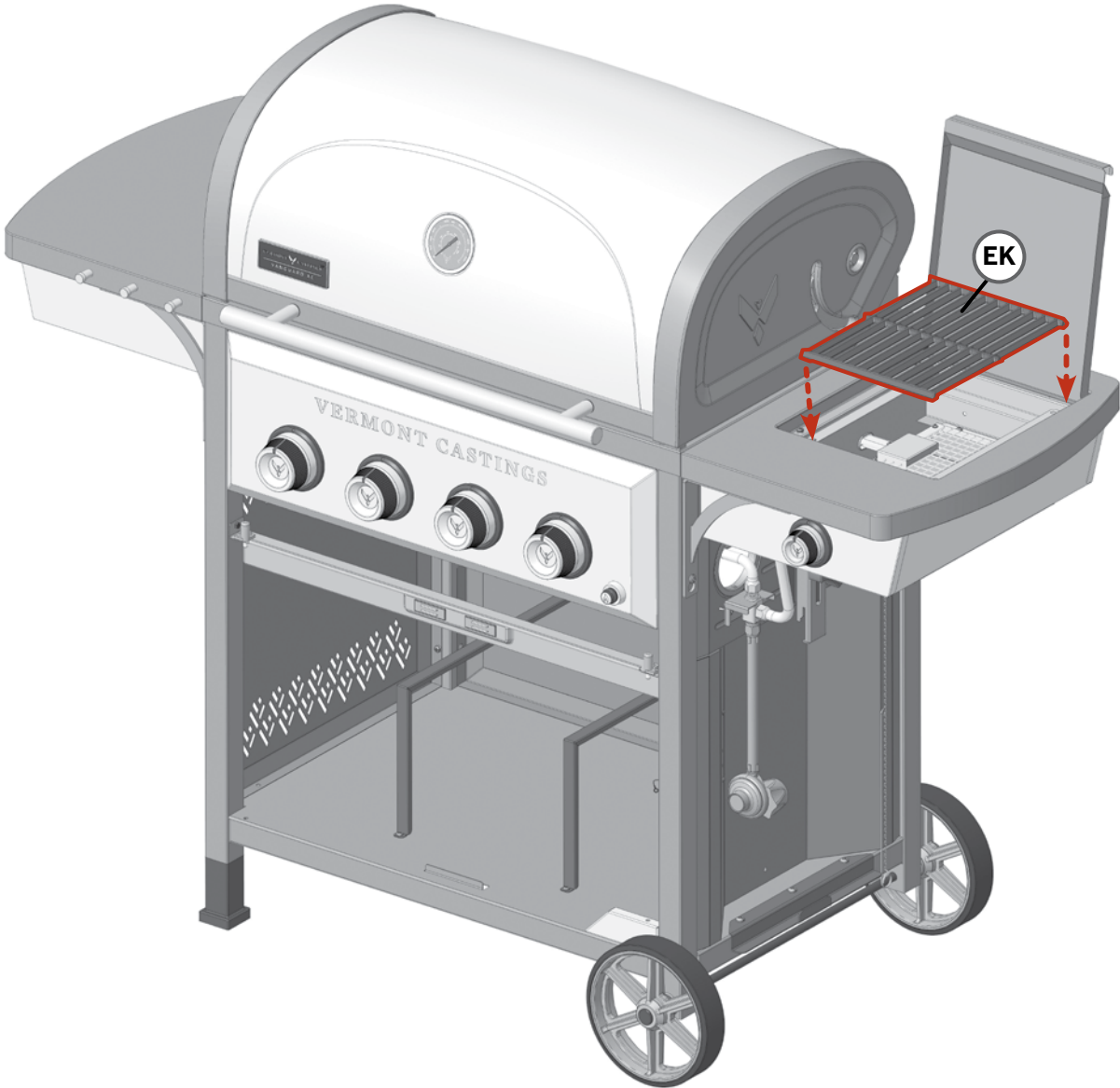
BUILD IT

STEP 13L



BUILD IT

STEP 13M

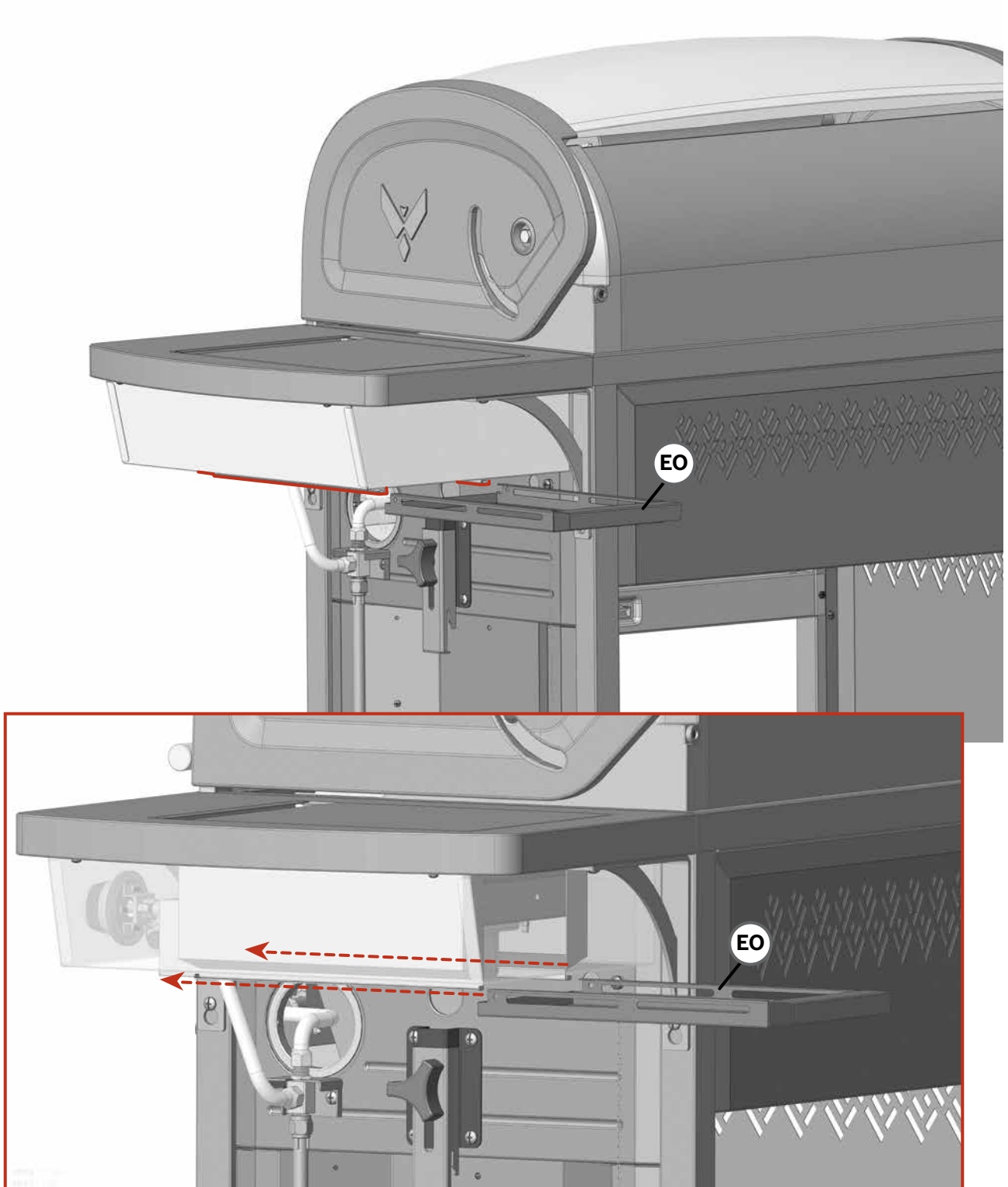


3M(+)

BUILD IT

STEP 13N

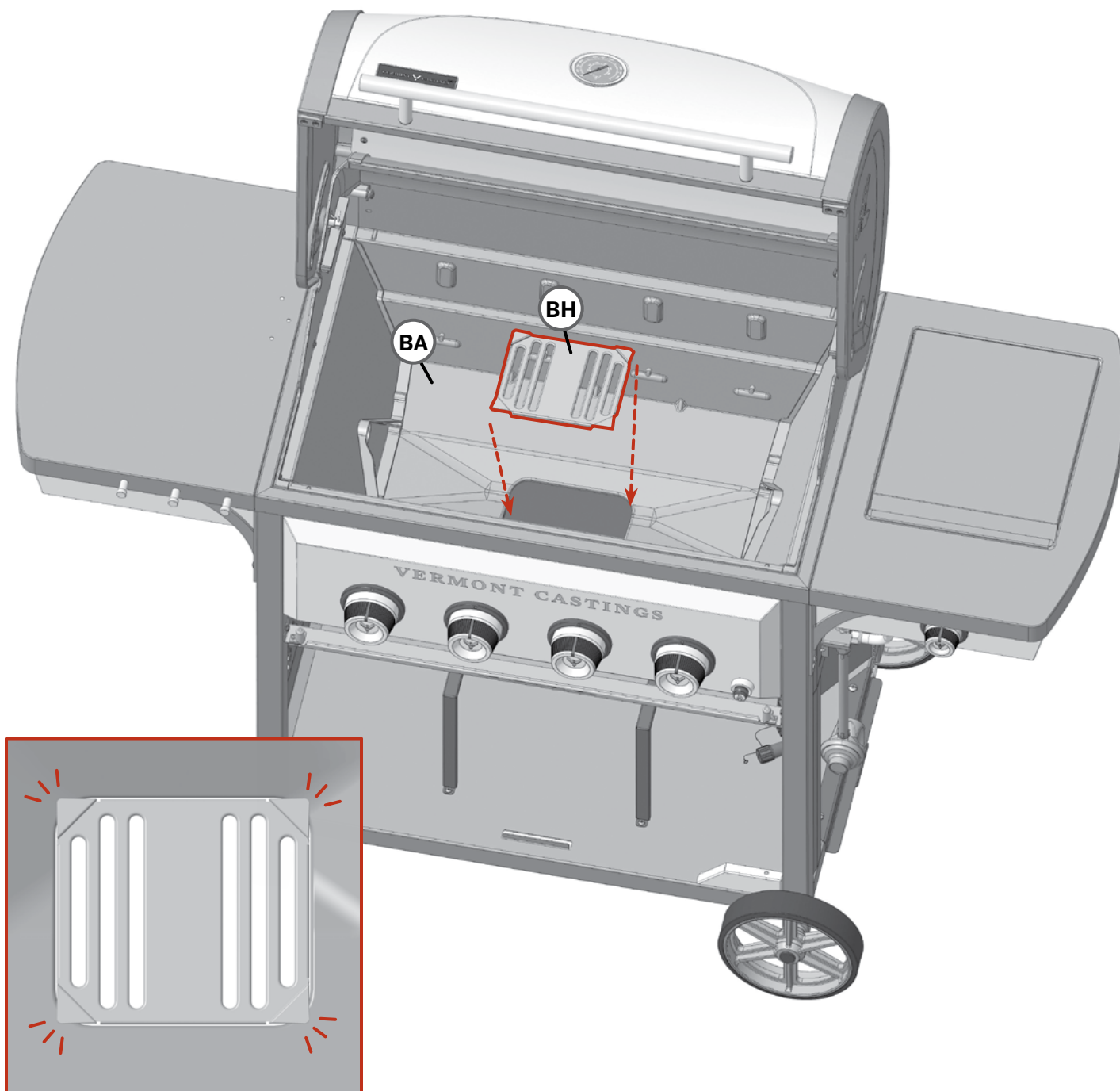
BUILD IT



BUILD IT

STEP 14

BUILD IT

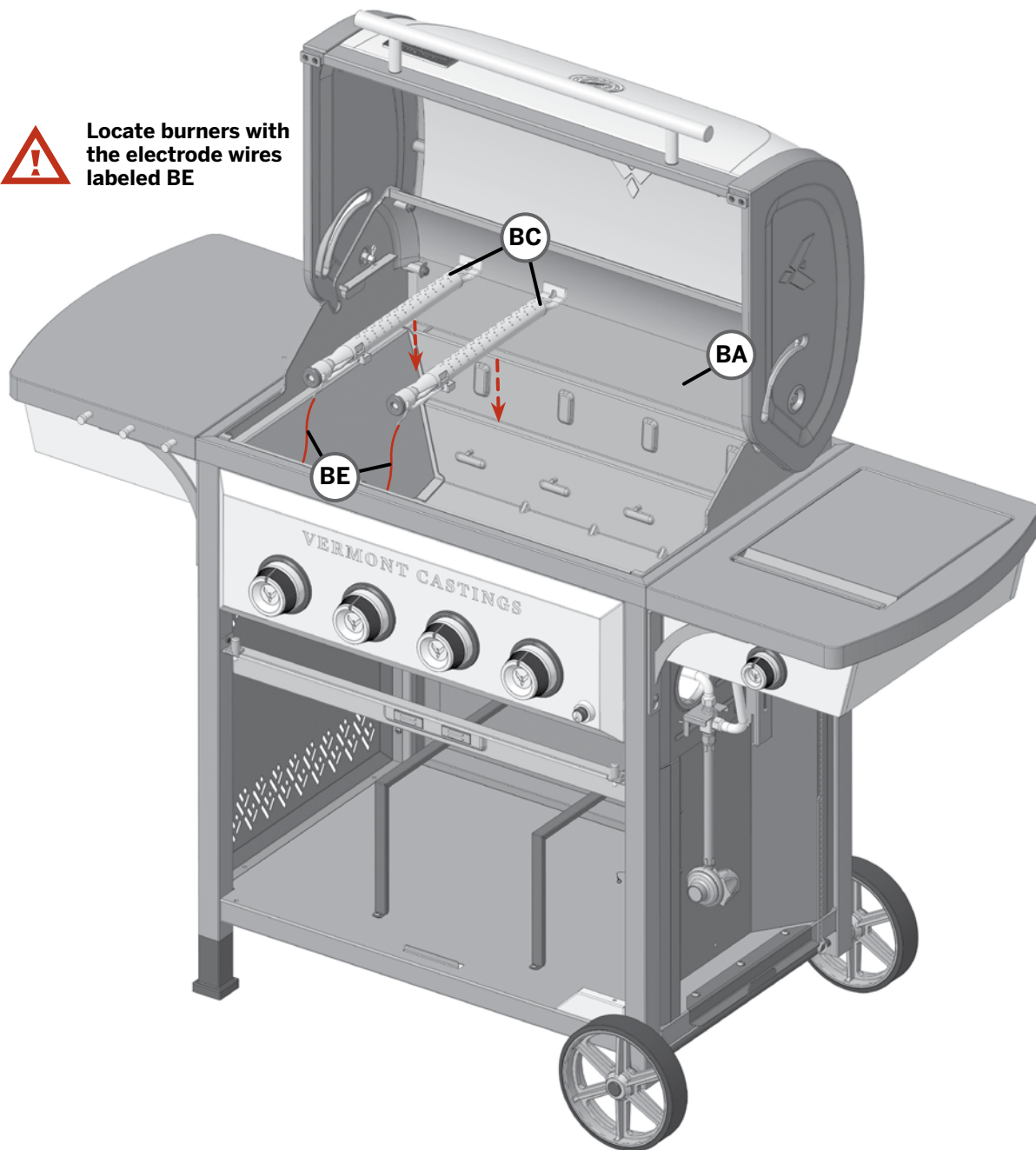


BUILD IT

STEP 15A

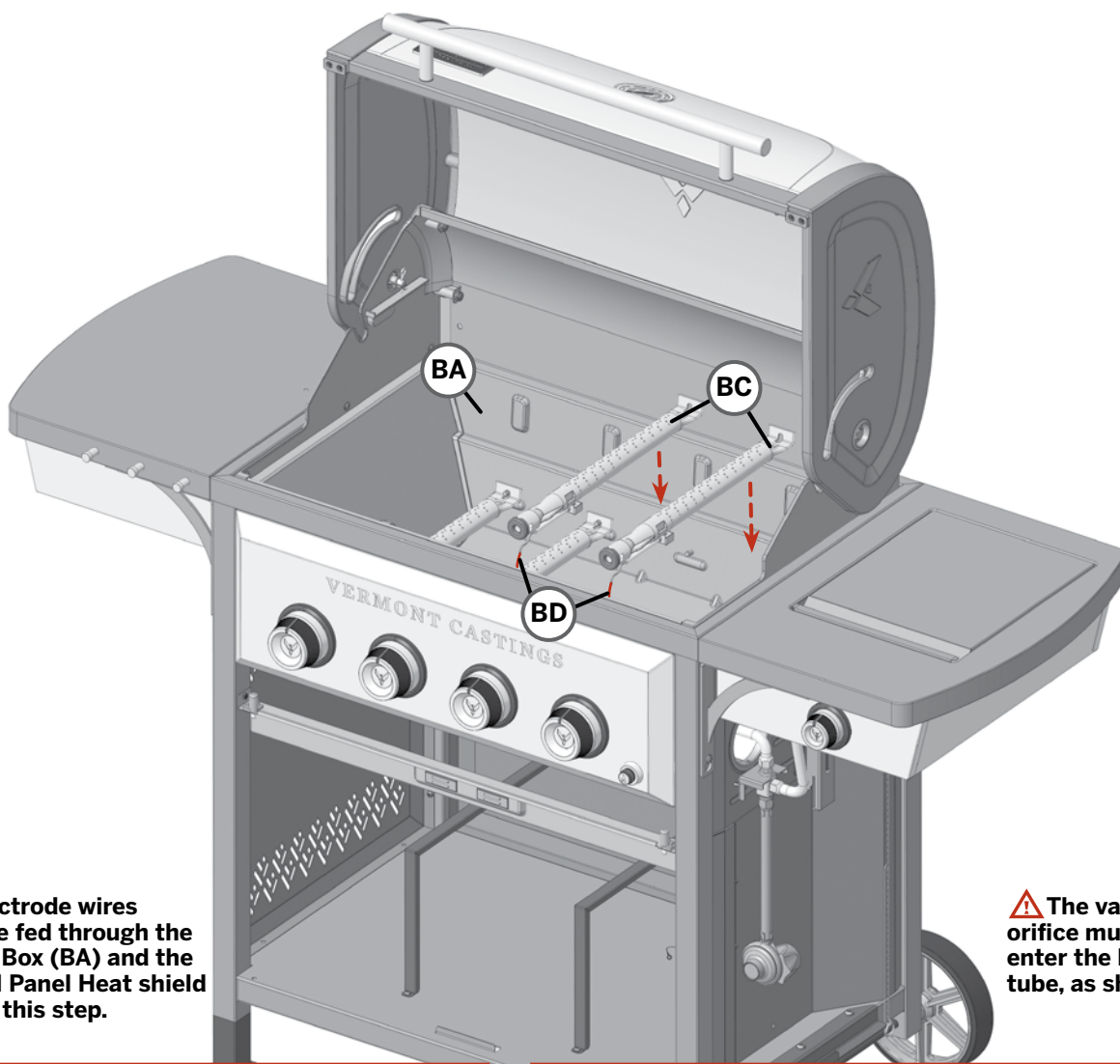


Locate burners with the electrode wires labeled BE



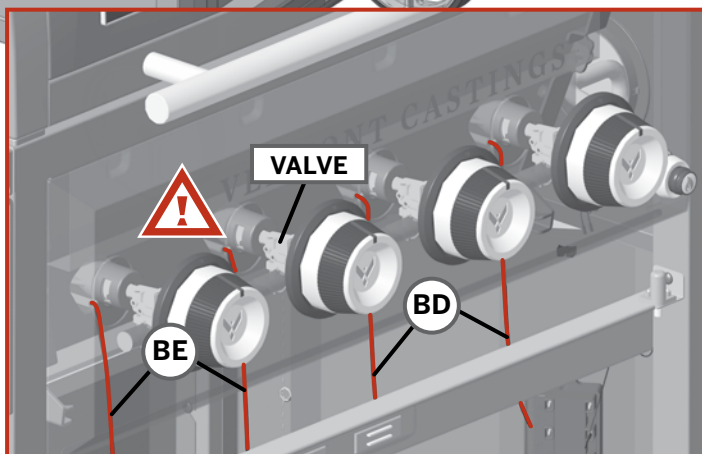
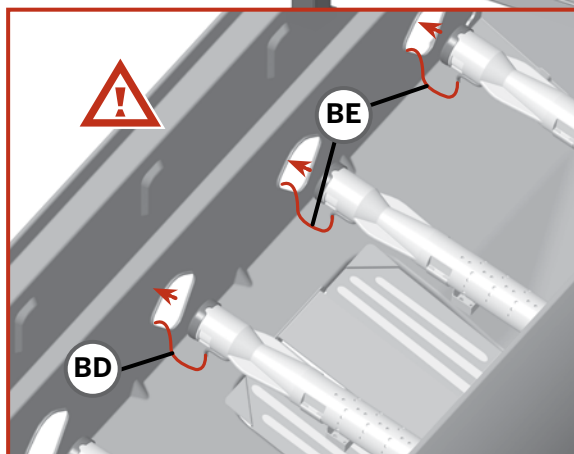
BUILD IT

STEP 15B



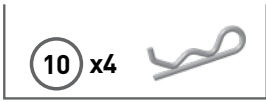
⚠ Electrode wires must be fed through the Burner Box (BA) and the Control Panel Heat shield (CB) in this step.

⚠ The valve orifice must enter the burner tube, as shown.

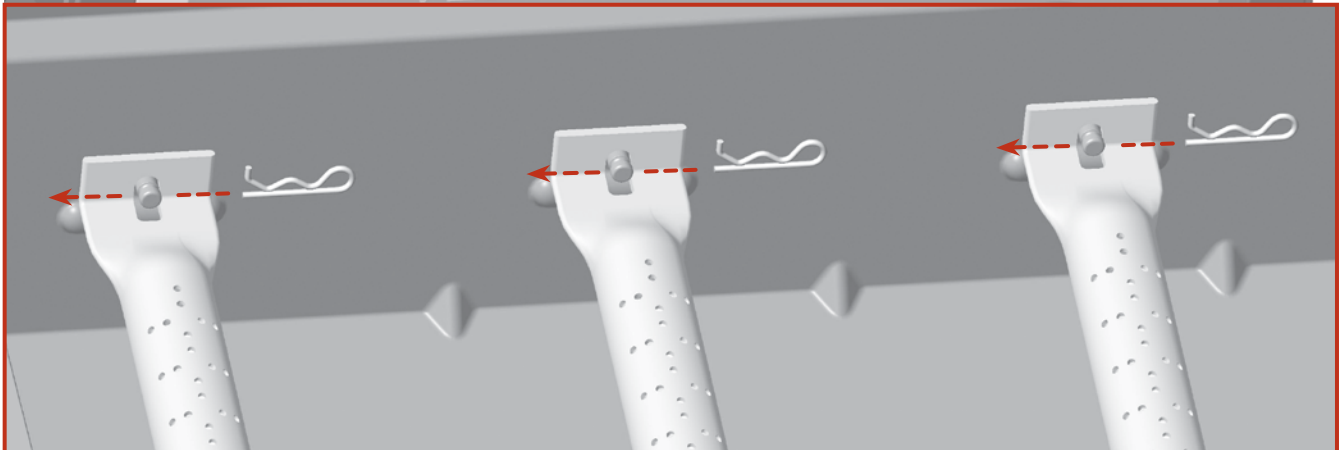
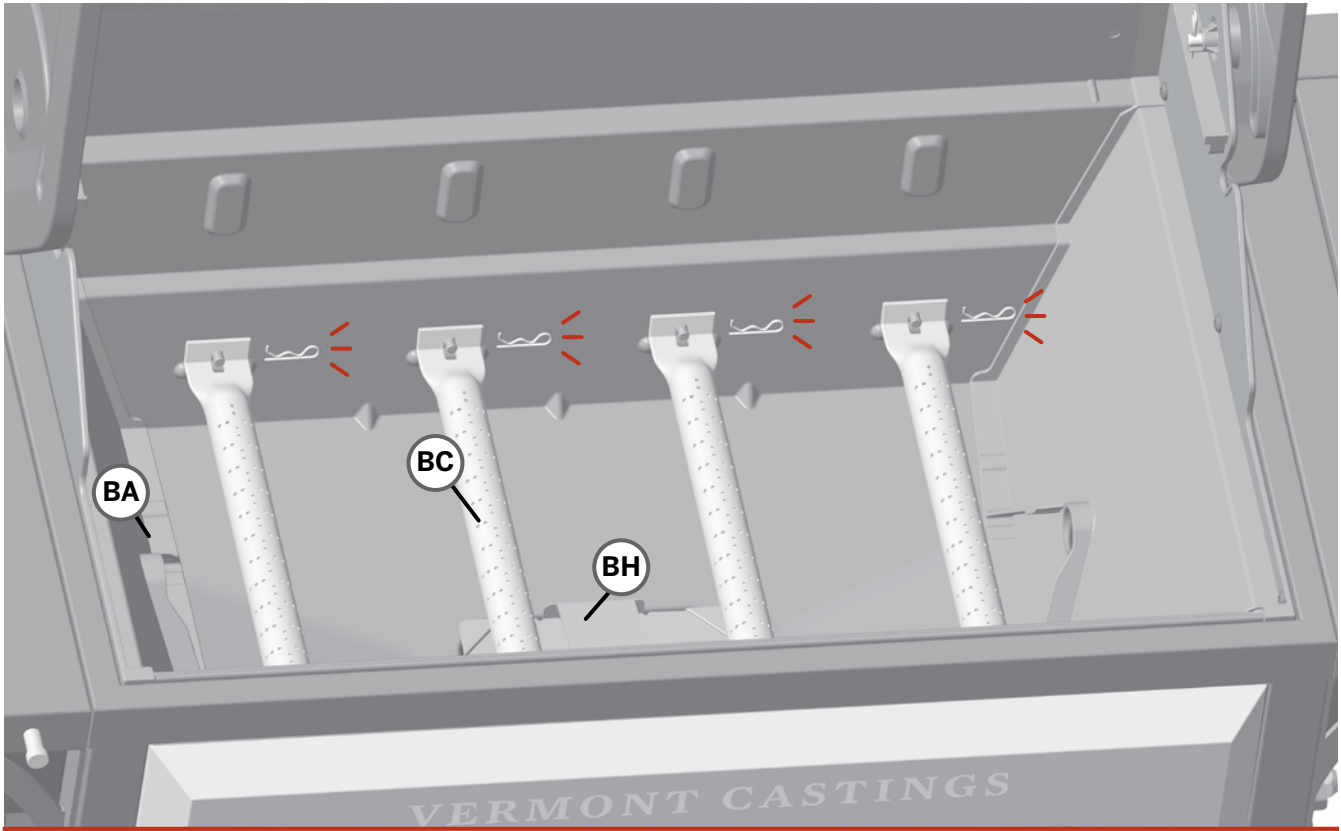


BUILD IT

STEP 15C



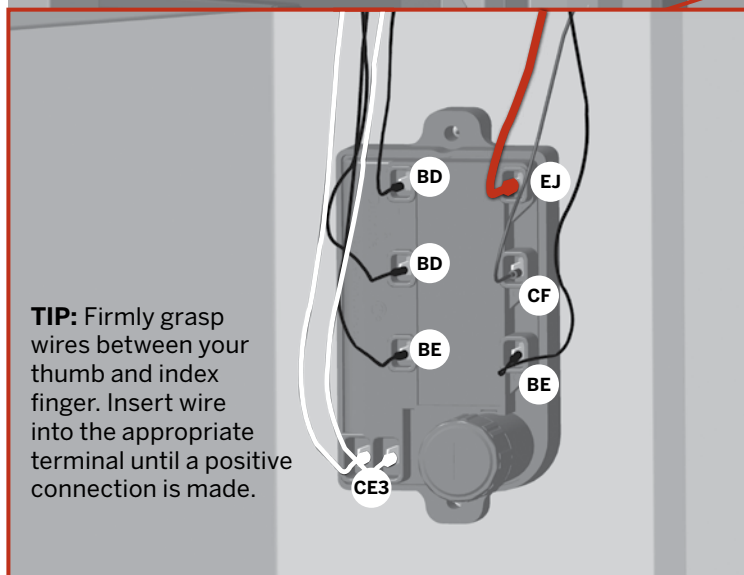
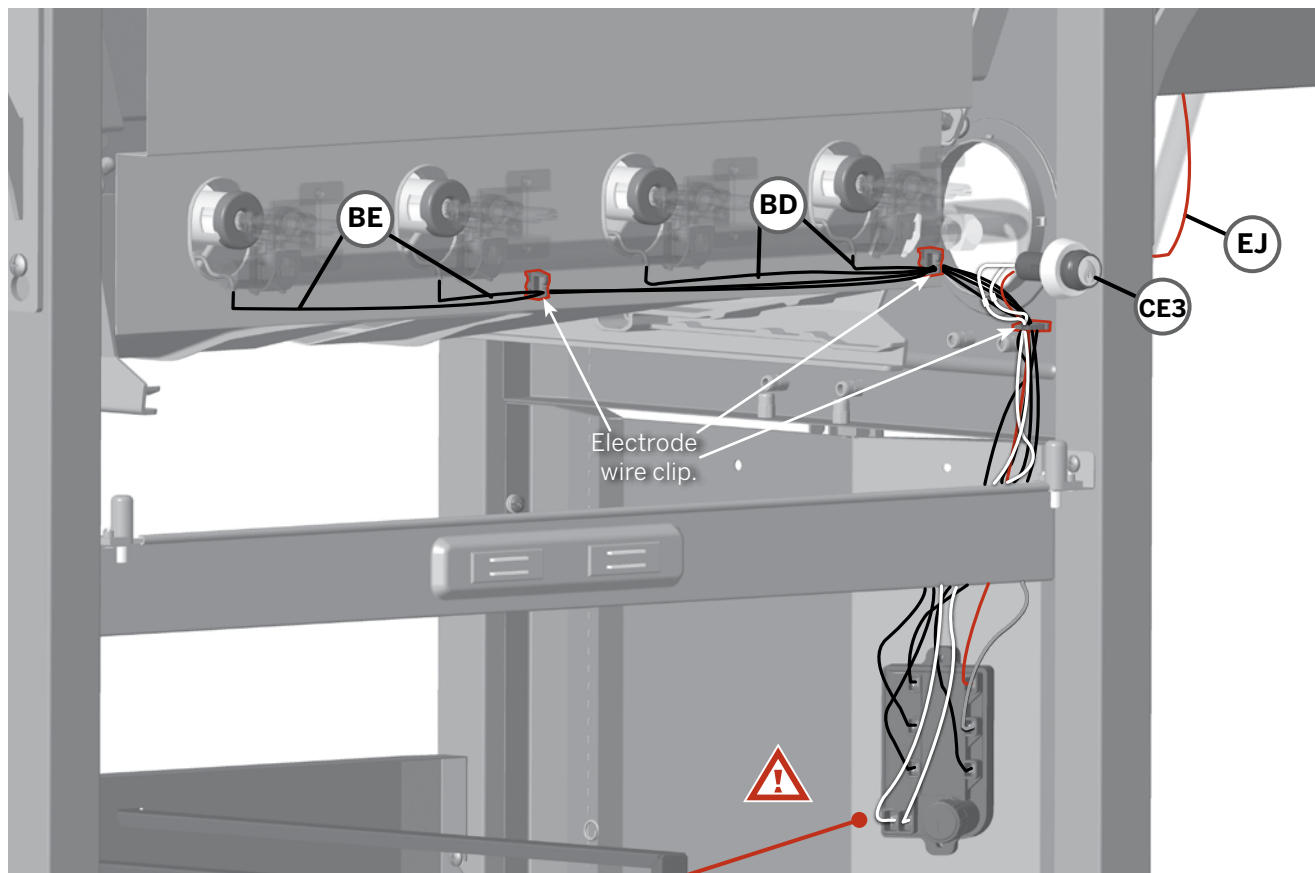
BUILD IT



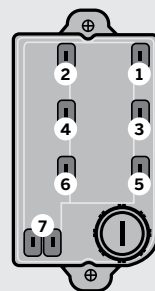
BUILD IT

STEP 15D

BUILD IT



TIP: Firmly grasp wires between your thumb and index finger. Insert wire into the appropriate terminal until a positive connection is made.

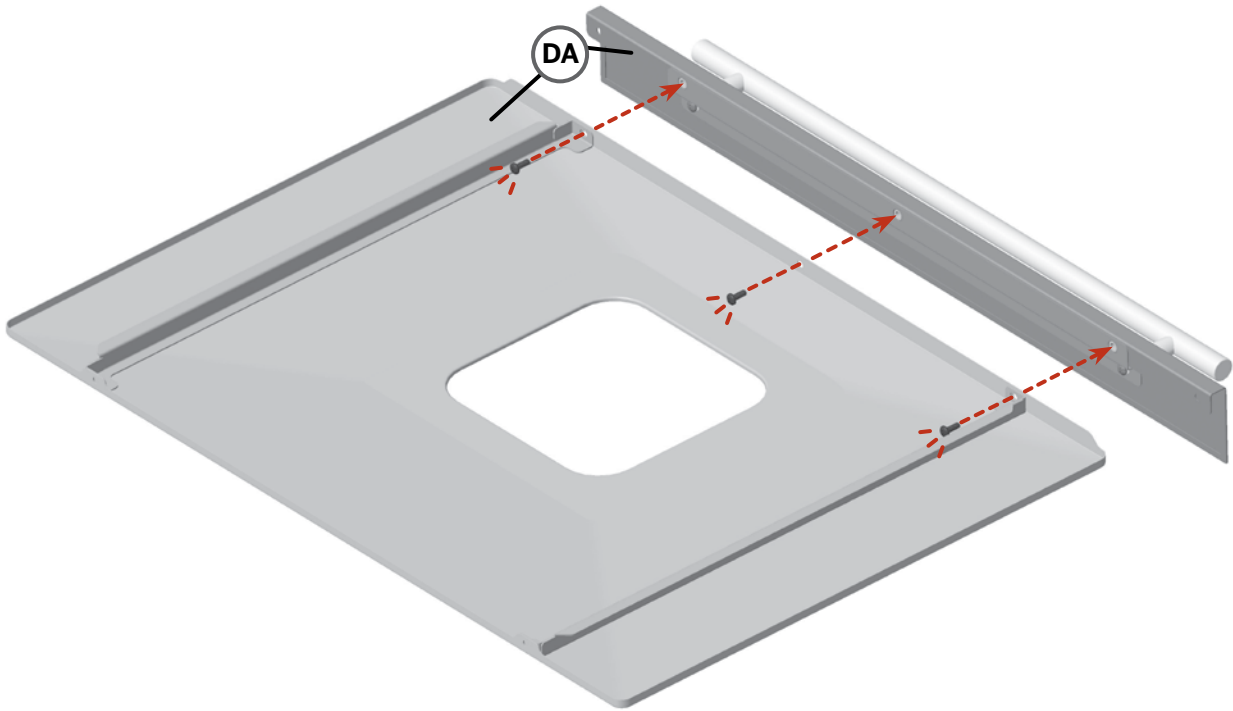


Ensure all electrode wires are inserted into the correct terminal as shown in diagram

- 1 Infrared side burner electrode - EJ
- 2, 4 Main electrode, 650 mm - BD
- 3 Ground wire - CF
- 5, 6 Main electrode, 950 mm - BE
- 7 Ignition switch - CE3

BUILD IT

STEP 16A

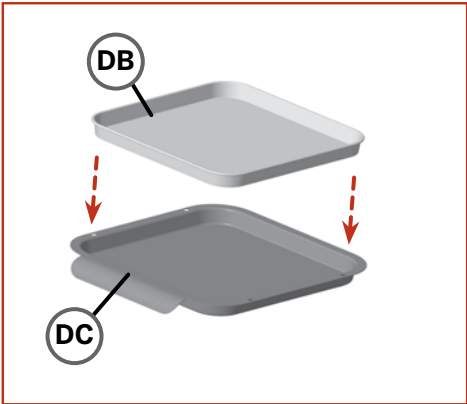
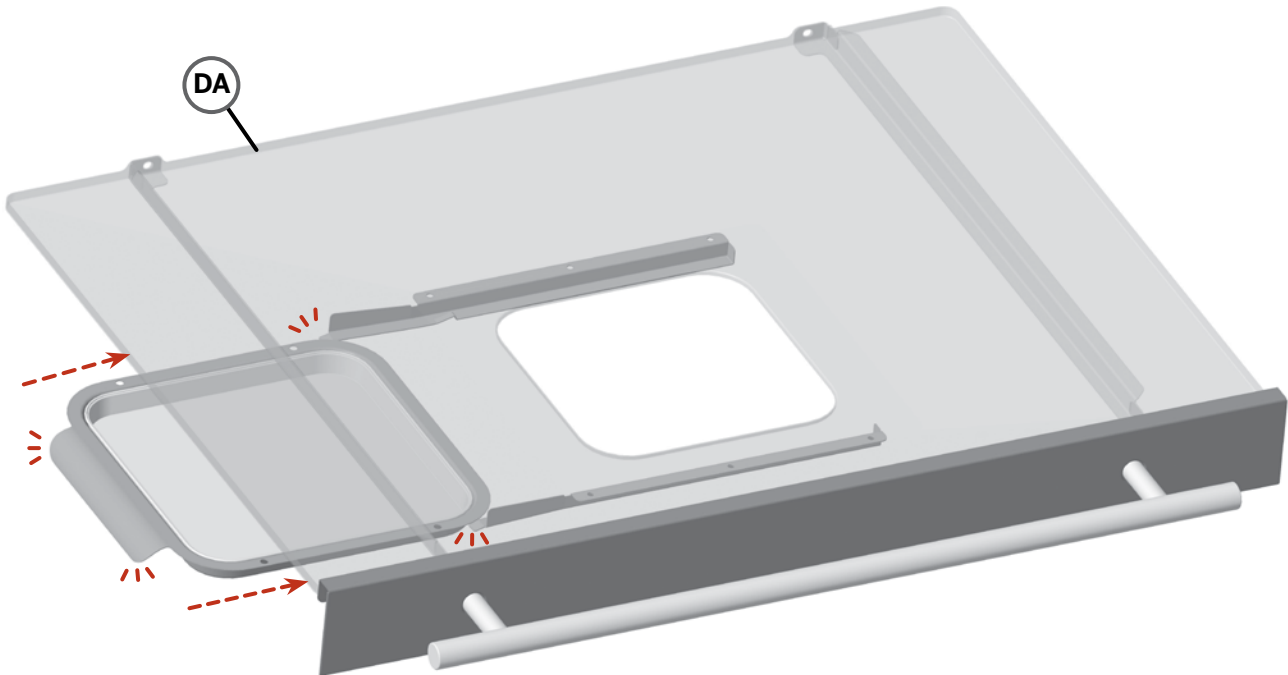


BUILD IT

BUILD IT

STEP 16B

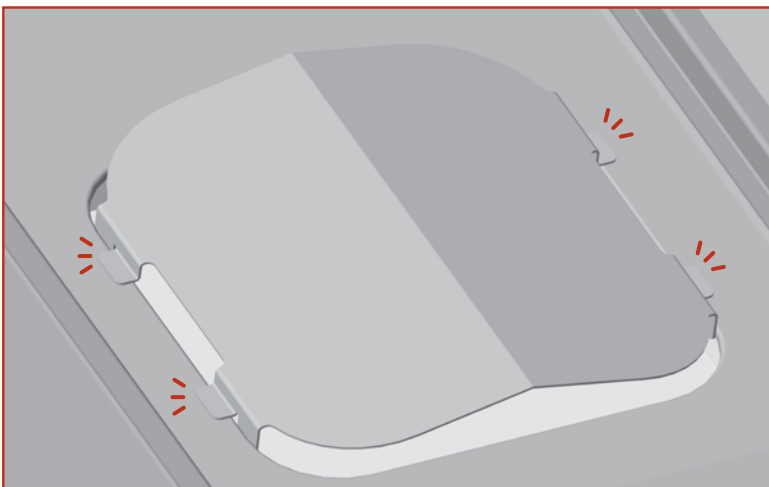
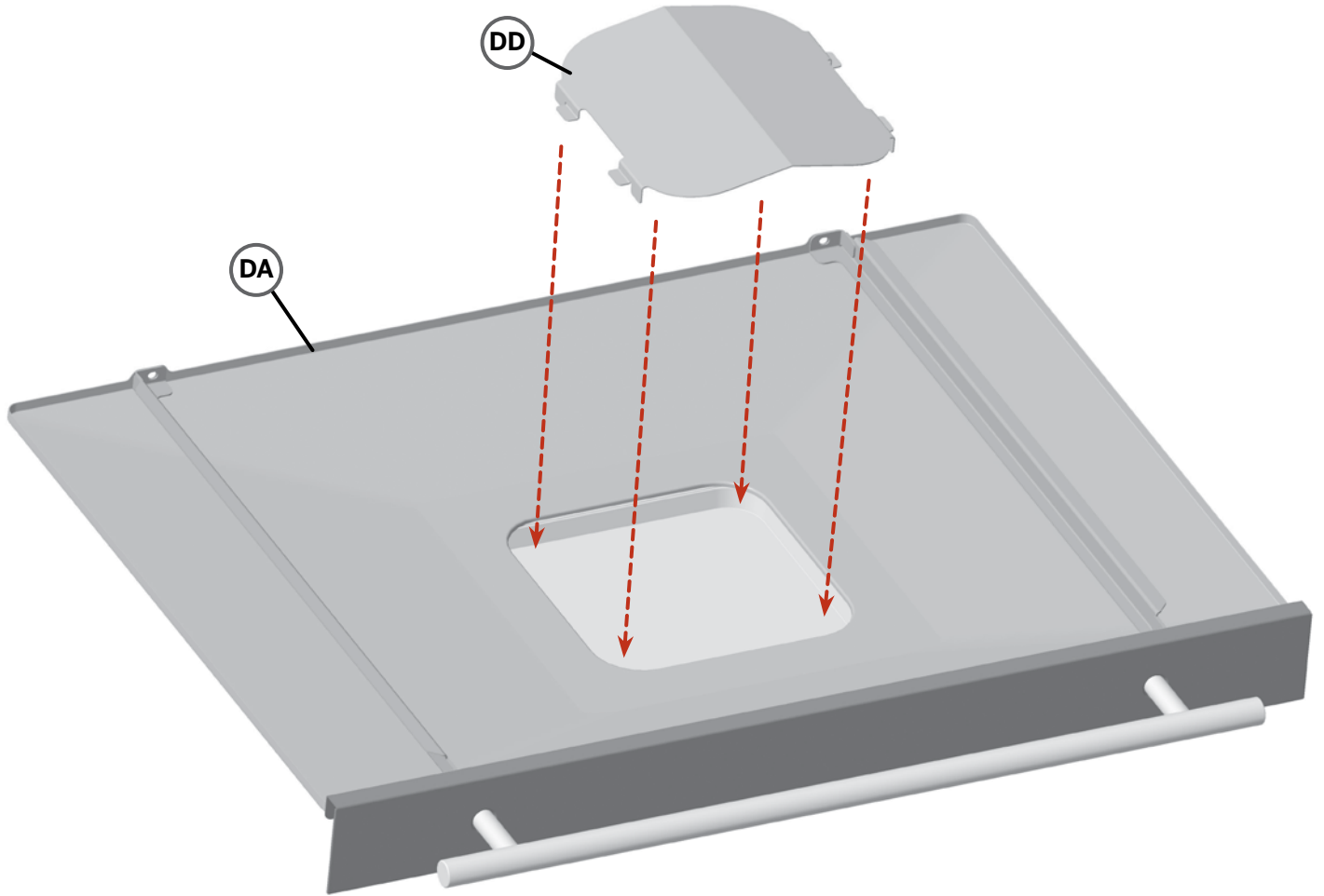
BUILD IT



BUILD IT

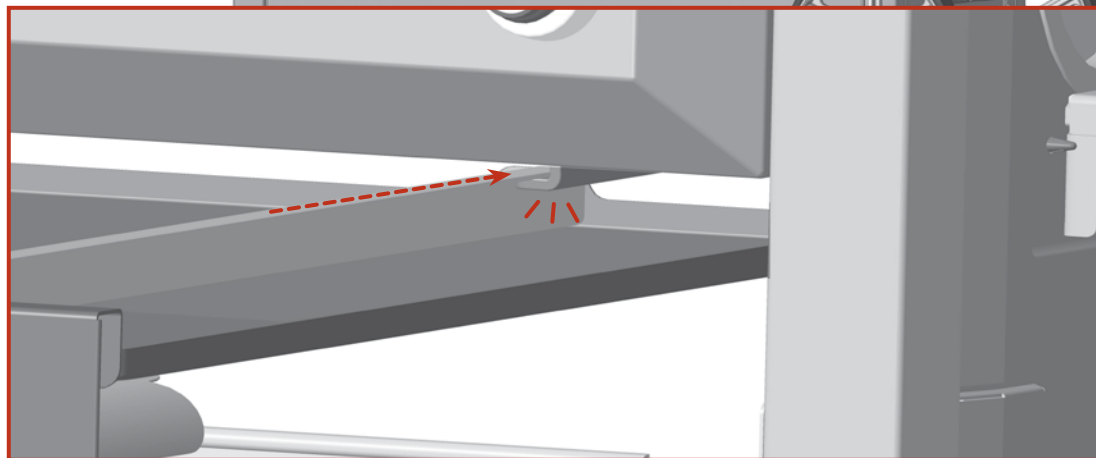
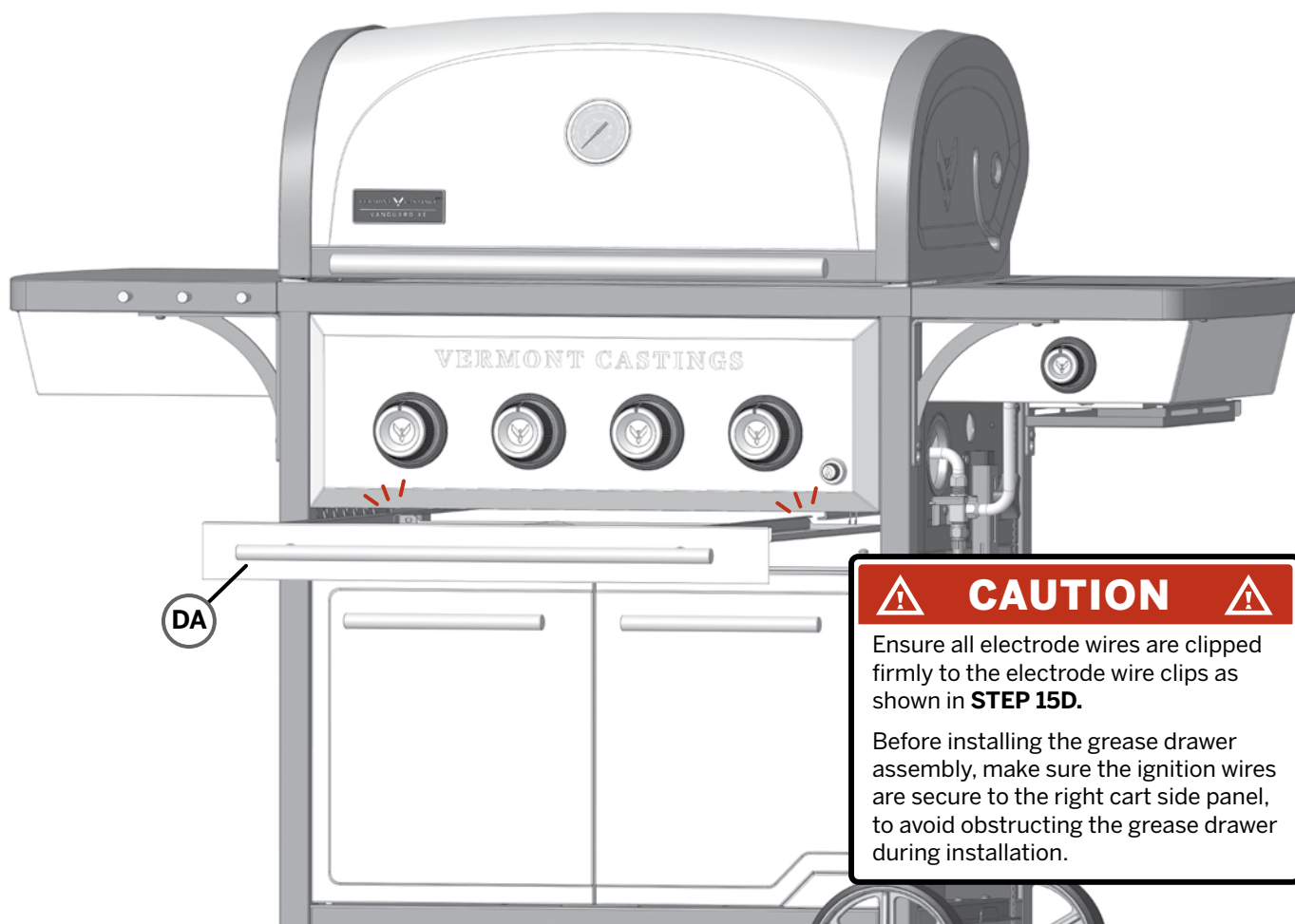
STEP 16C

BUILD IT



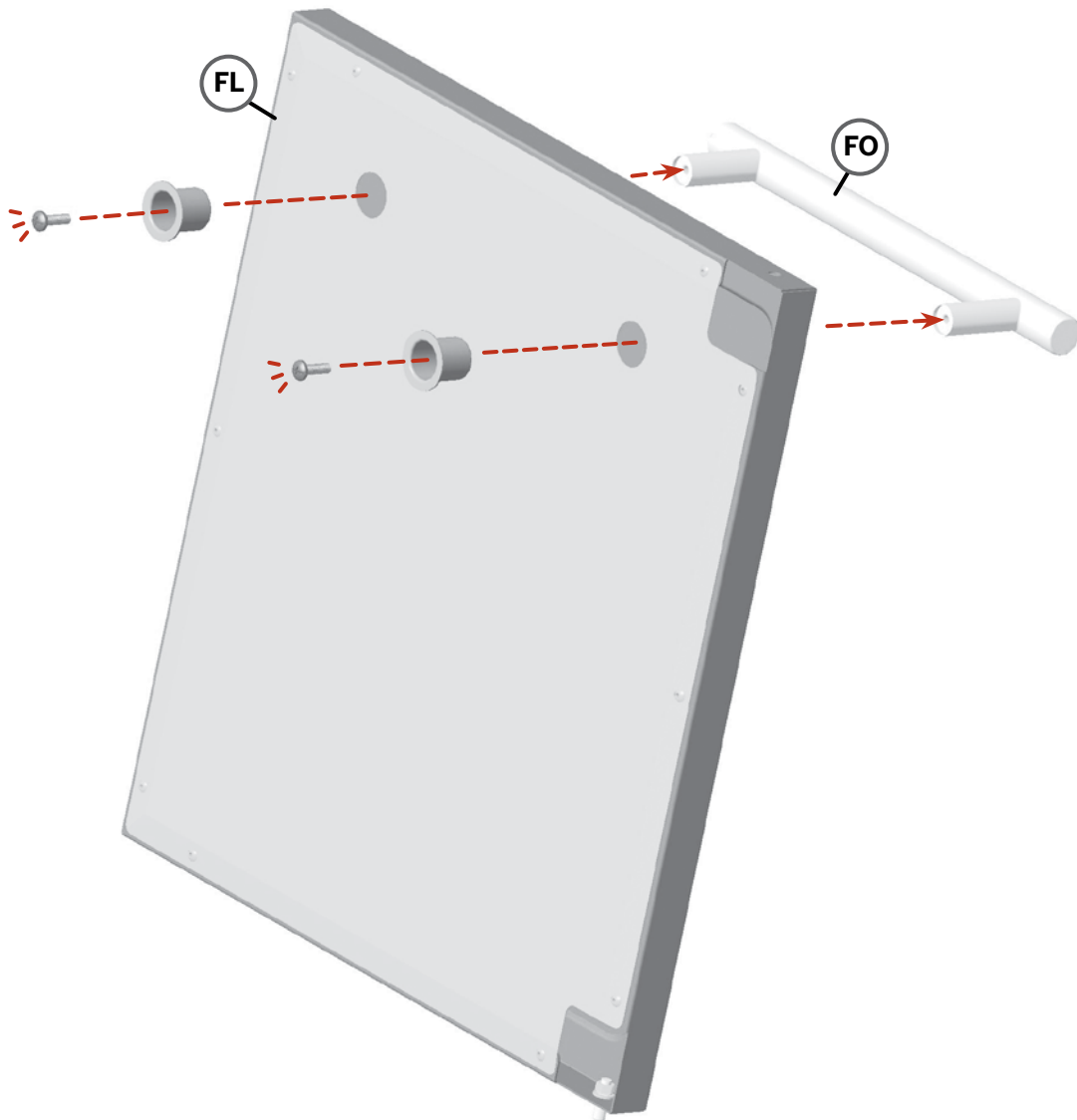
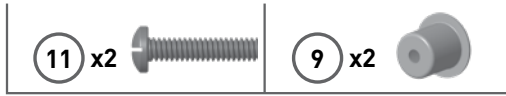
BUILD IT

STEP 16D



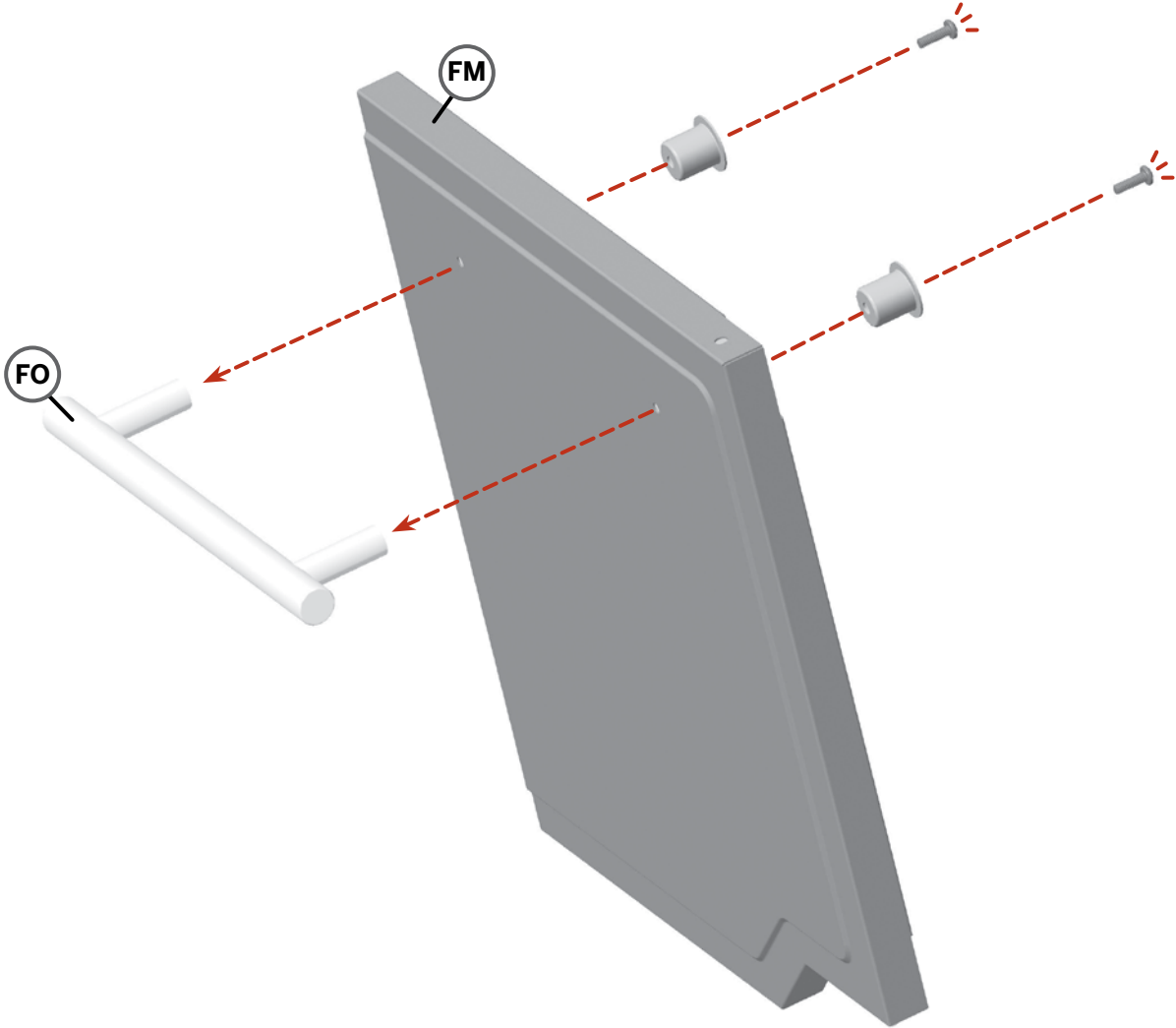
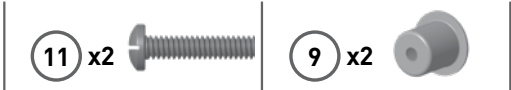
BUILD IT

STEP 17A



BUILD IT

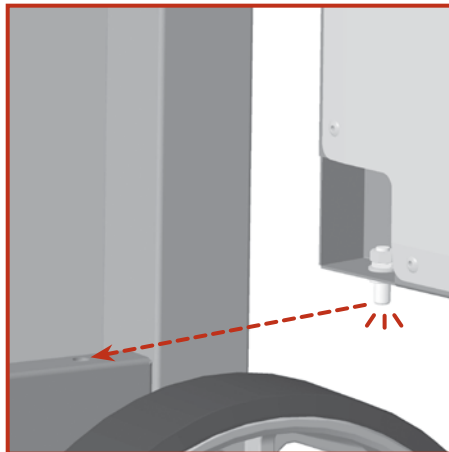
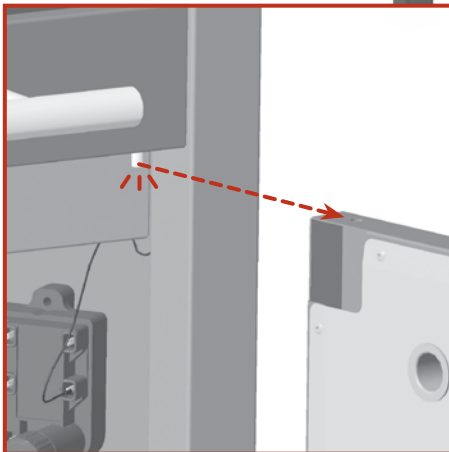
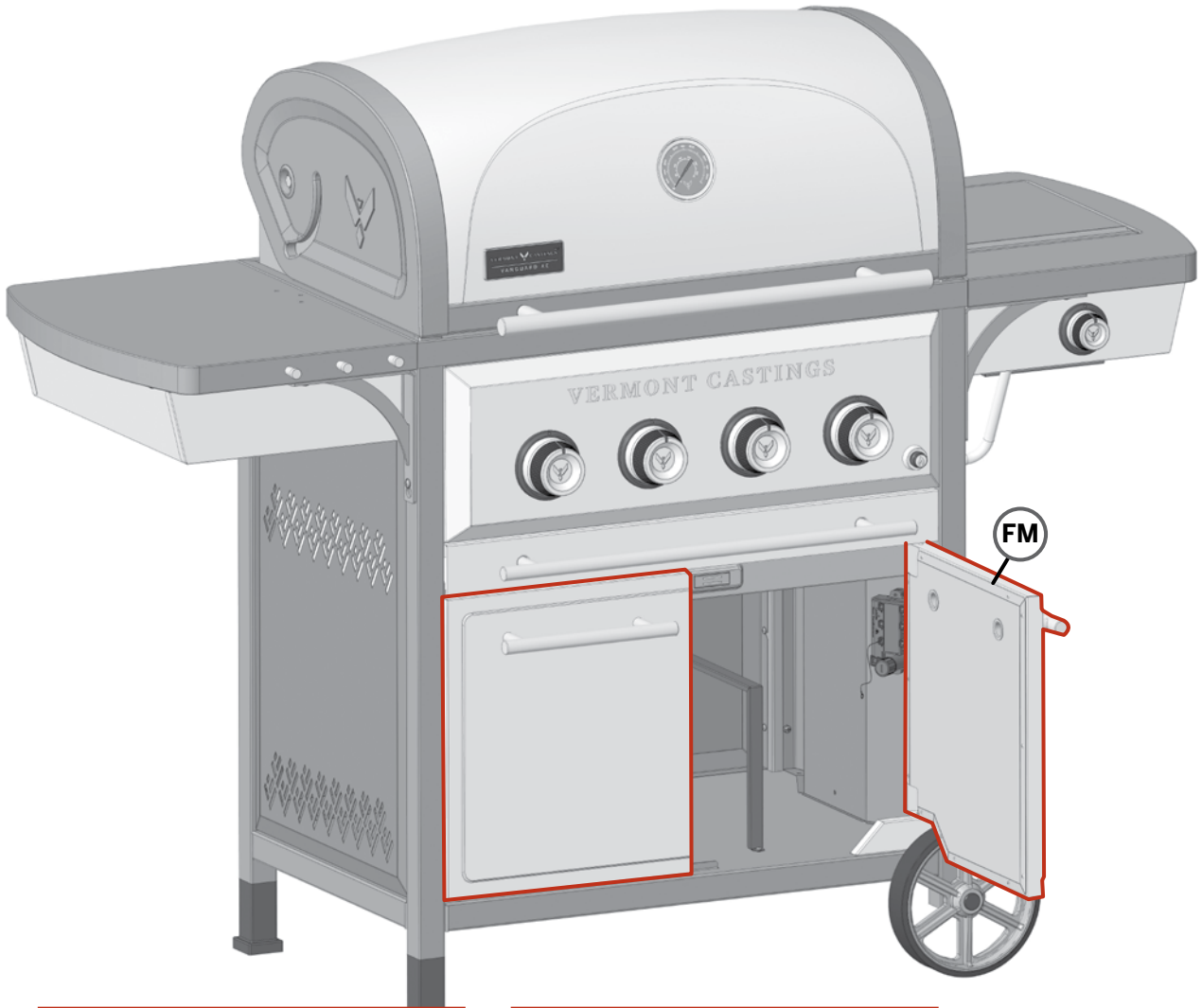
STEP 17B



BUILD IT

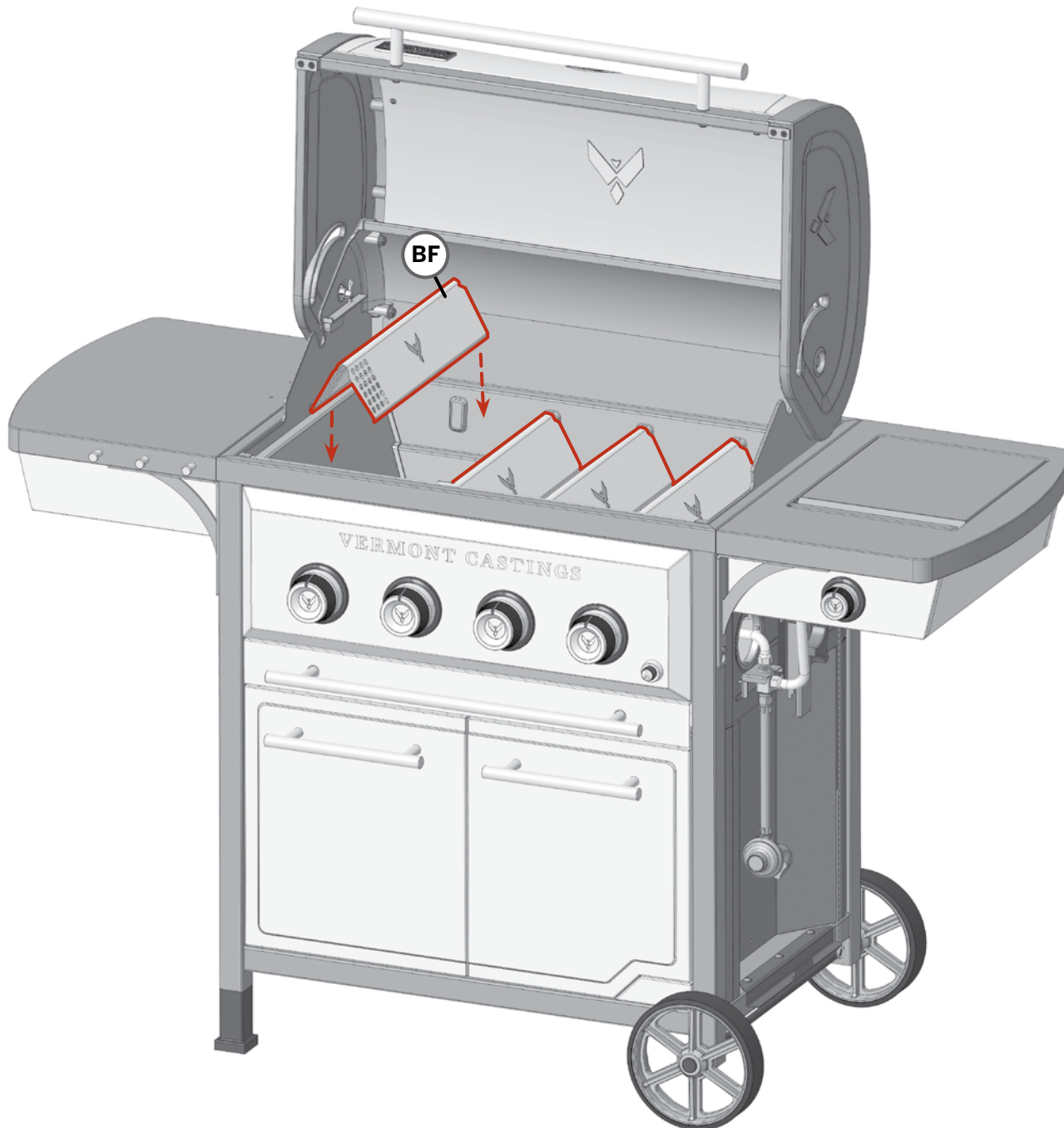
BUILD IT

STEP 18



BUILD IT

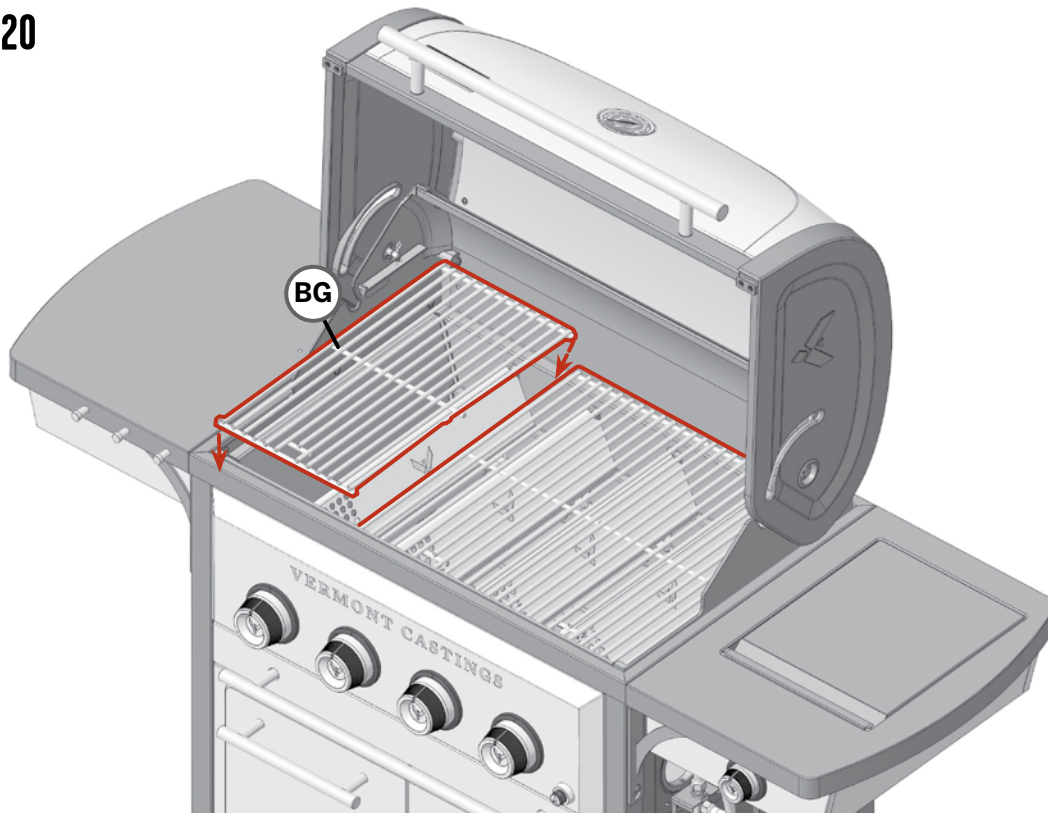
STEP 19



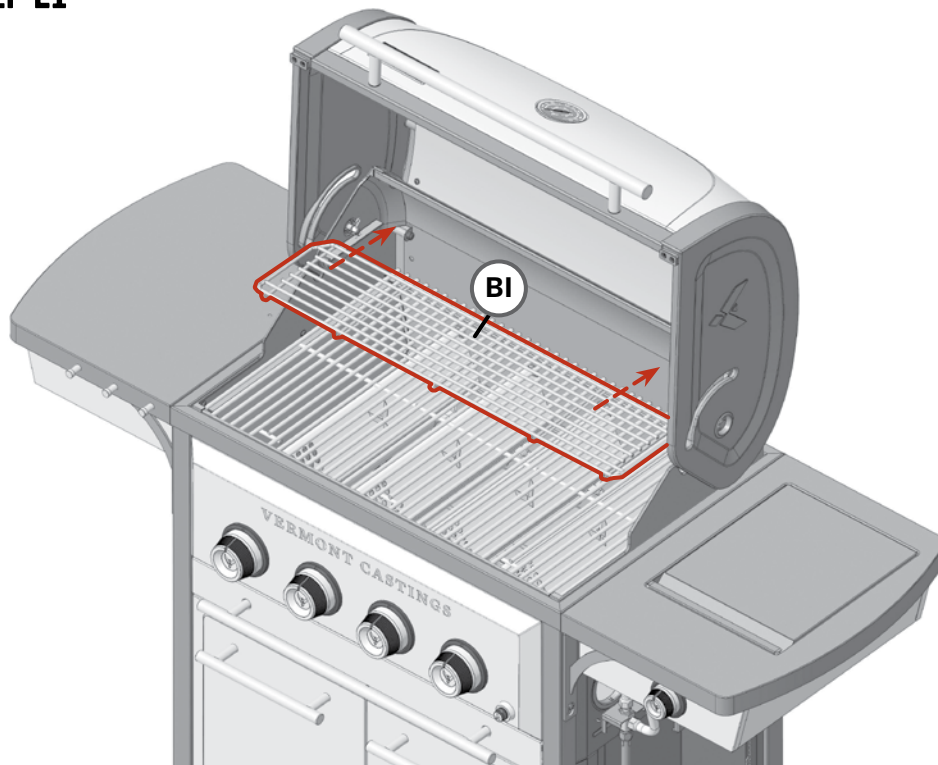
BUILD IT

BUILD IT

STEP 20



STEP 21



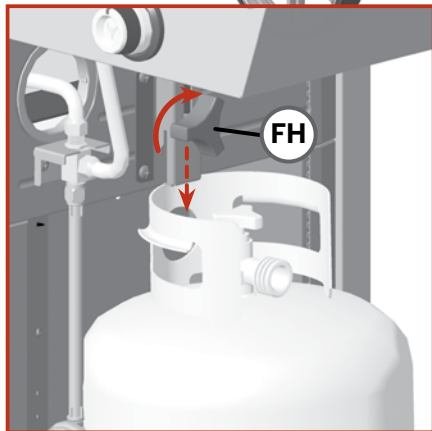
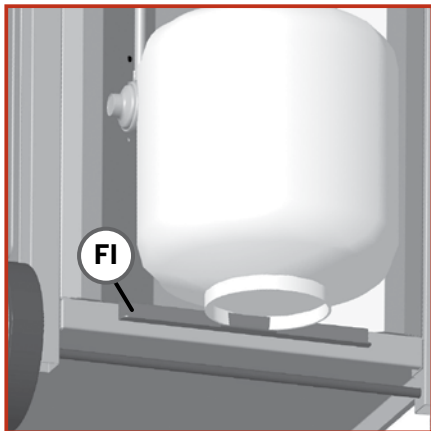
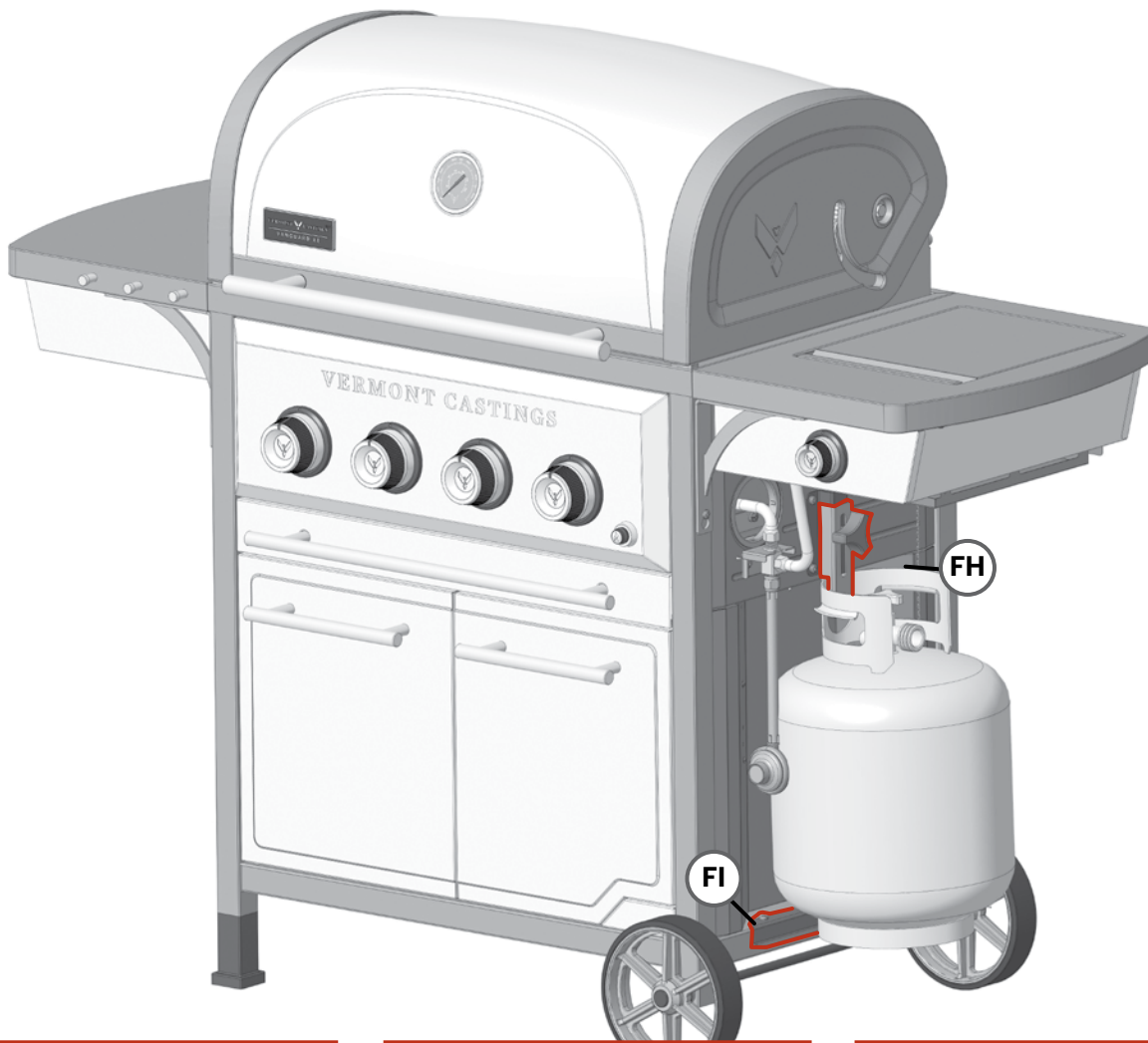
BUILD IT

STEP 22



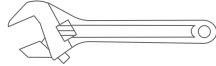
NATURAL GAS CONVERSION CUSTOMERS
PROCEED TO STEP 23.

BUILD IT



BUILD IT

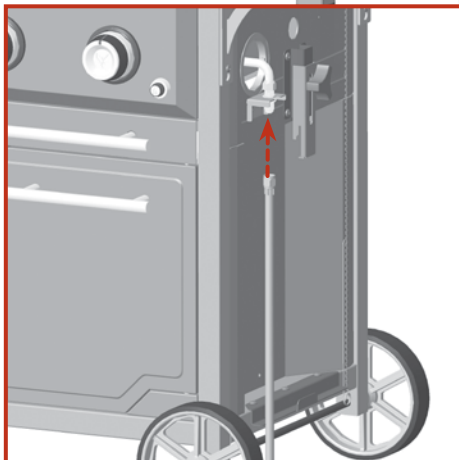
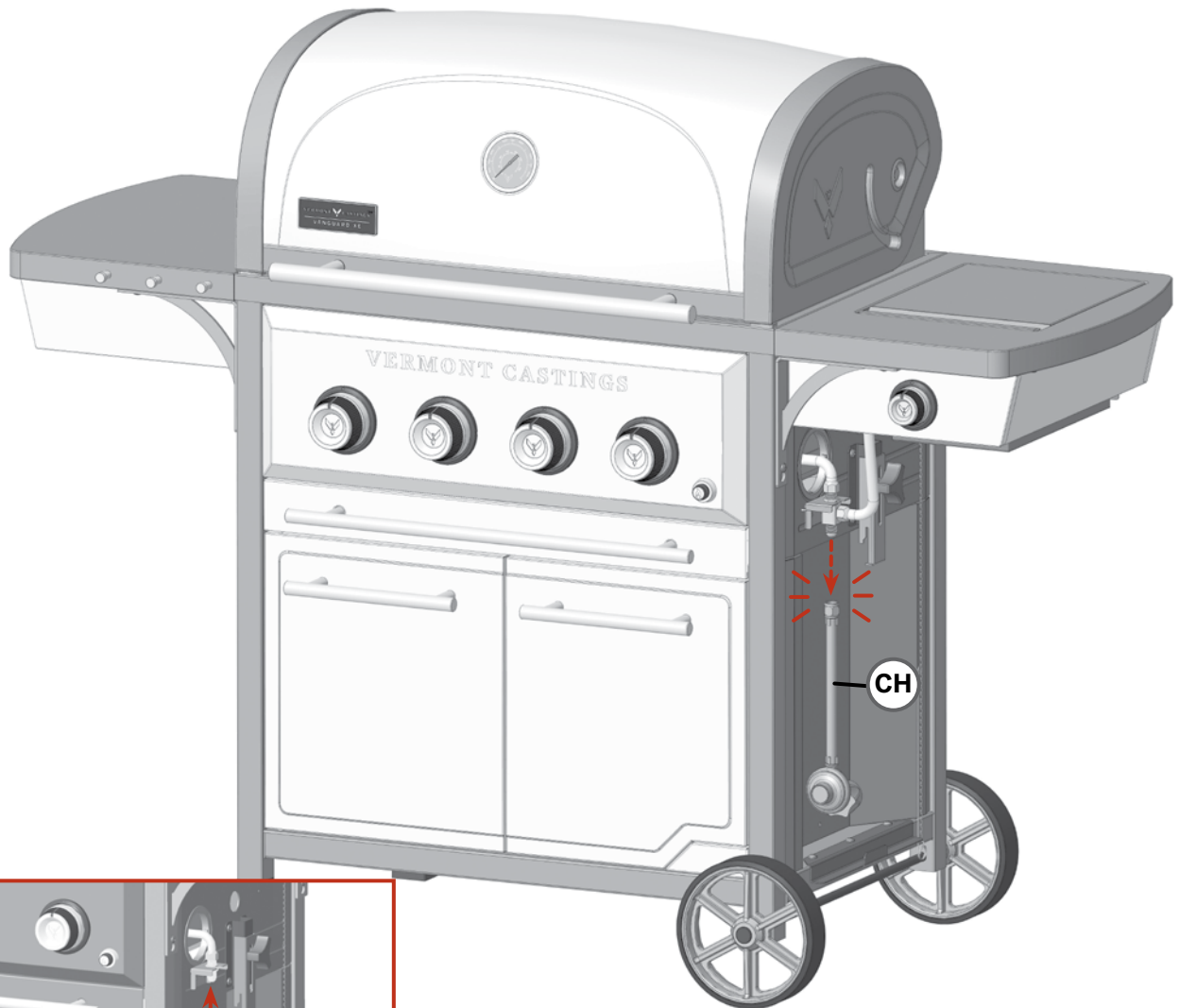
STEP 23



Wrench

NATURAL GAS CONVERSION CUSTOMERS ONLY.

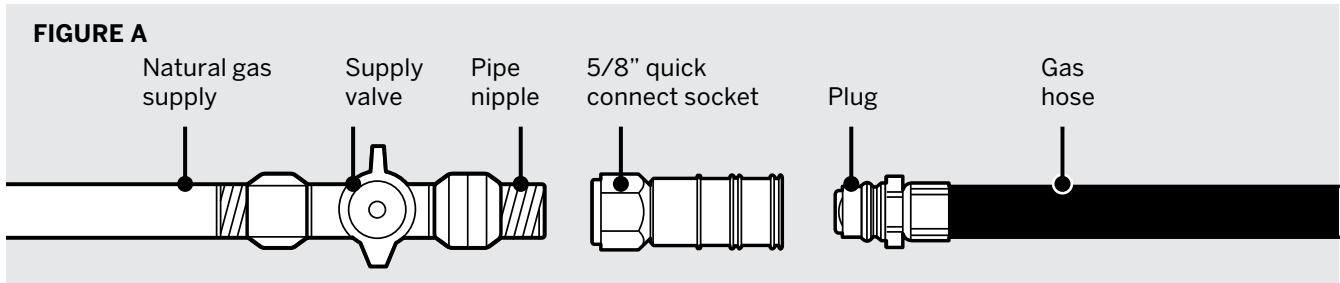
You will need the natural gas hose included with the **Convertible Valve System Kit (Model 085-2261-4)** in this step. See **Step 9A** in manual included with this kit.



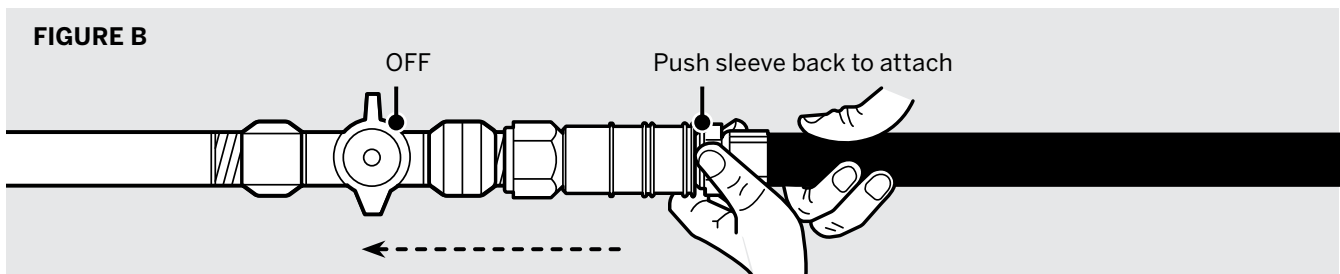
BUILD IT

STEP 24 CONNECTING YOUR BARBECUE TO THE NATURAL GAS SOURCE.

Coat pipe nipple with gas-resistant teflon tape or pipe dope. Tighten quick-disconnect coupling onto pipe nipple (FIGURE A).



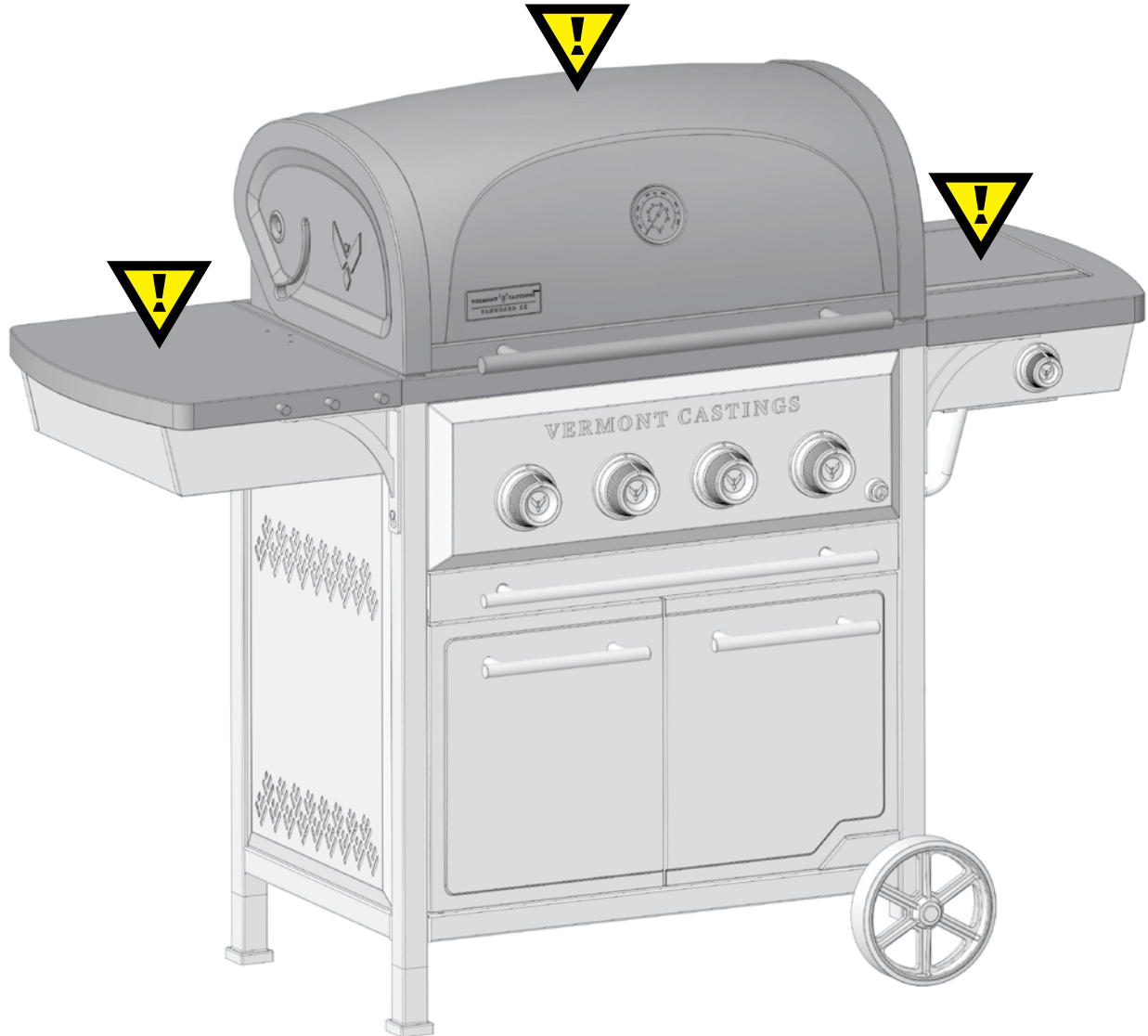
With the natural gas supply valve "OFF", connect the natural gas hose to the quick connect socket. Push the sleeve back on the quick connect socket (FIGURE B) and insert the plug until the sleeve snaps forward, locking the plug into the quick connect socket. Be sure to leak test these connections prior to use.



⚠ FIRE HAZARD—Do not route the natural gas hose inside of the barbecue cart.

BUILD IT

 **WARNING!**
HOT SURFACES.



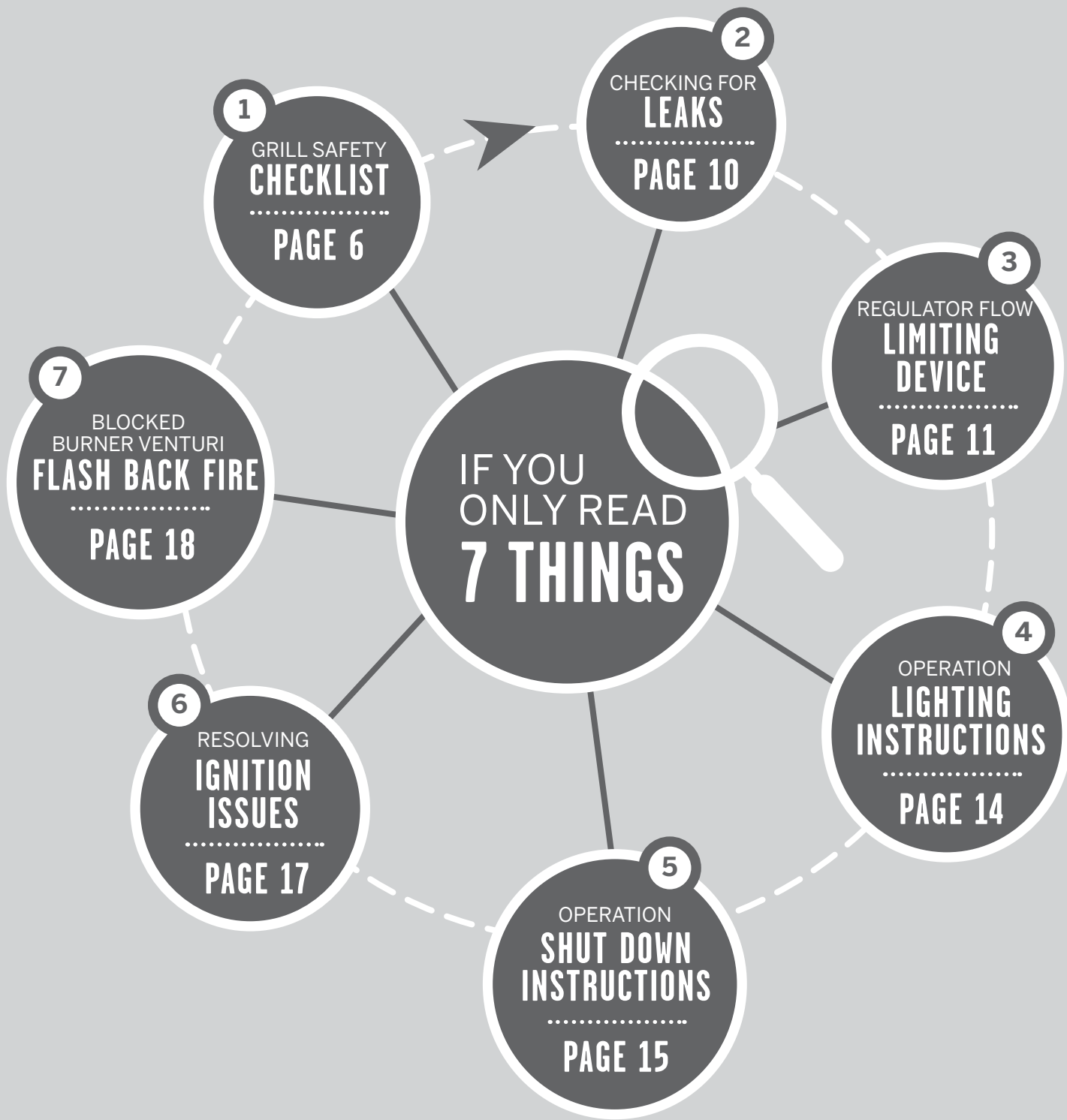
WARNING: EXTERIOR SURFACES WILL BECOME VERY HOT. TO PREVENT BURNS, ALWAYS WEAR INSULATED PROTECTIVE BARBECUE GLOVES WHEN USING THE BARBECUE.

- **KEEP AWAY FROM COMBUSTIBLE MATERIALS.**
- **KEEP CHILDREN AND PETS AWAY FROM THIS GAS-FIRED BARBECUE.**
- **AVOID DANGEROUS FIRES: DO NOT LEAVE YOUR BARBECUE UNATTENDED WHILE IN OPERATION.**

BEFORE YOU BEGIN

**DON'T TAKE RISKS, READ THE USER MANUAL.
KNOWING HOW YOUR BARBECUE WORKS IS KEY TO USING IT SAFELY.**

BEFORE YOU BEGIN





**VERMONT
CASTINGS** TM_{MC}



**CONTACT US 1-844-586-4660
WWW.VERMONTCASTINGSBBQ.COM**