

This Owner's Manual is provided and hosted by [Appliance Factory Parts](#).



Alfresco ARTP-PZA Owner's Manual

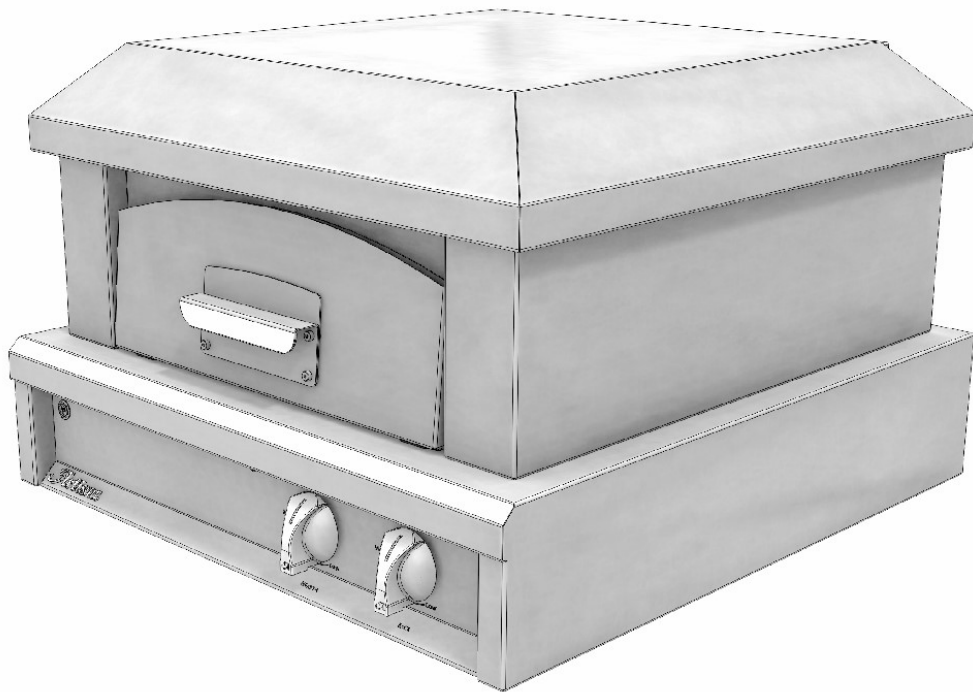
[Shop genuine replacement parts for Alfresco
ARTP-PZA](#)



[Find Your Alfresco Oven Parts - Select From 8 Models](#)

----- Manual continues below -----

Artisan



ARTP-PZA

COUNTER MOUNT PIZZA OVEN UNIT

Artisan™
SUPERIOR EQUIPMENT SOLUTIONS
1085 BIXBY DRIVE
CITY OF INDUSTRY, CA. 91745

THE INFORMATION CONTAINED IN THIS DRAWING IS THE SOLE PROPERTY OF SUPERIOR EQUIPMENT SOLUTIONS INC. ANY REPRODUCTION IN PART OR AS A WHOLE WITHOUT WRITTEN PERMISSION FROM SUPERIOR EQUIPMENT SOLUTIONS, INC. IS PROHIBITED.

DRAWN BY: ADRIAN CRISCI
CREATED: 6/4/2019 1:08:16 PM

PROJECT TITLE:
ARTP-PZA

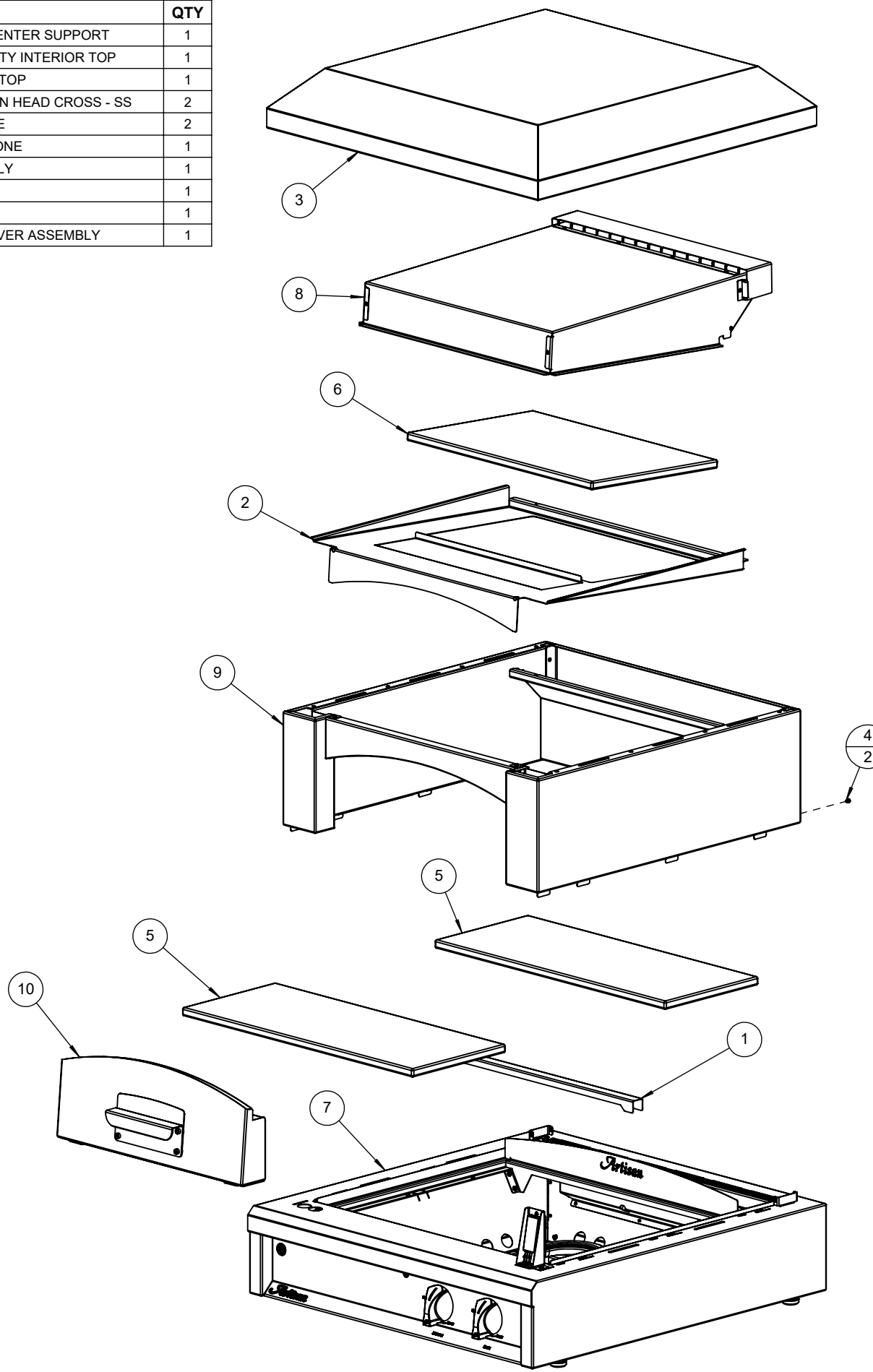
DRAWING TITLE:
ARTP-PZA PART MANUAL

DRAWING NO.:
500-0236 MANU

SHEET 1 C

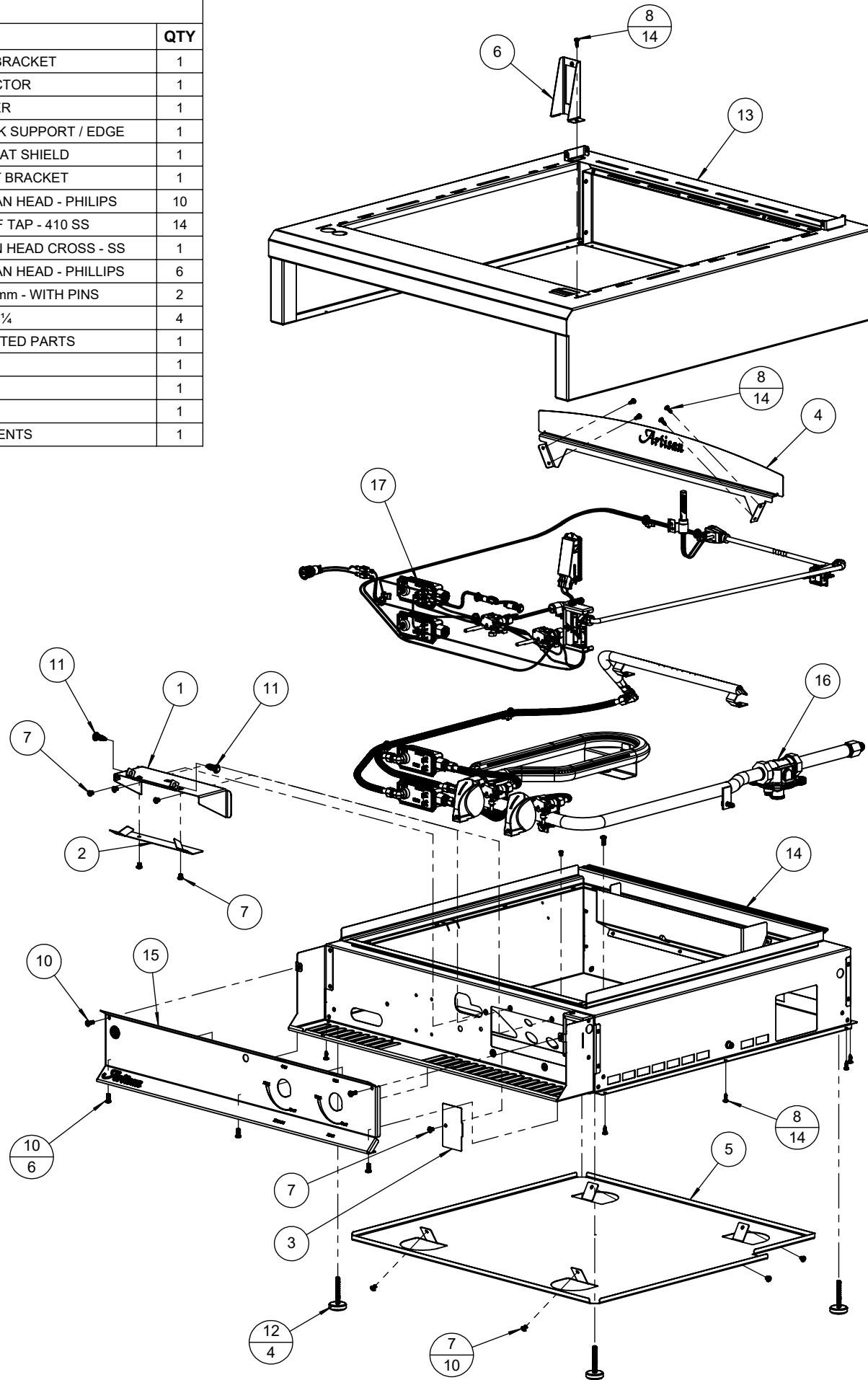
BILL OF MATERIAL

| NO. | PART # | DESCRIPTION | QTY |
|-----|----------|--|-----|
| 1 | 100-3127 | ARTP-PZA STONES CENTER SUPPORT | 1 |
| 2 | 100-3137 | ARTP-PZA OVEN CAVITY INTERIOR TOP | 1 |
| 3 | 100-3140 | ARTP-PZA EXTERIOR TOP | 1 |
| 4 | 200-0199 | SCREW 6-32 x 1/4 - PAN HEAD CROSS - SS | 2 |
| 5 | 290-0366 | BOTTOM PIZZA STONE | 2 |
| 6 | 290-0367 | TOP REFRACTIVE STONE | 1 |
| 7 | 510-1260 | BASE - MAIN ASSEMBLY | 1 |
| 8 | 510-1266 | OVEN EXHAUST | 1 |
| 9 | 510-1267 | OVEN CAVITY | 1 |
| 10 | 510-1271 | ARTP-PZA FRONT COVER ASSEMBLY | 1 |



BILL OF MATERIAL

| NO. | PART # | DESCRIPTION | QTY |
|-----|----------|---|-----|
| 1 | 100-3116 | ARTP-PZA LED LIGHT BRACKET | 1 |
| 2 | 100-3117 | ARTP-PZA LED REFLECTOR | 1 |
| 3 | 100-3119 | ARTP-PZA J-BOX COVER | 1 |
| 4 | 100-3122 | ARTP-PZA STONE BACK SUPPORT / EDGE | 1 |
| 5 | 100-3125 | ARTP-PZA BOTTOM HEAT SHIELD | 1 |
| 6 | 100-3126 | ARTP-PZA OVEN LIGHT BRACKET | 1 |
| 7 | 200-0082 | SCREW 10-32 X 1/4 - PAN HEAD - PHILIPS | 10 |
| 8 | 200-0111 | SCREW 8-18 X 1/2 - SELF TAP - 410 SS | 14 |
| 9 | 200-0199 | SCREW 6-32 x 1/4 - PAN HEAD CROSS - SS | 1 |
| 10 | 200-0267 | SCREW 10-32 X 1/2 - PAN HEAD - PHILLIPS | 6 |
| 11 | 210-0662 | BLUE LED LIGHT - Ø 8 mm - WITH PINS | 2 |
| 12 | 290-0362 | LEVEL MOUNT 1/4-20 x 2 1/4 | 4 |
| 13 | 510-1261 | BASE - OUTSIDE RIVETED PARTS | 1 |
| 14 | 510-1262 | BASE - INSIDE FRAME | 1 |
| 15 | 510-1263 | CONTROL PANEL | 1 |
| 16 | 510-1264 | MANIFOLD ASSEMBLY | 1 |
| 17 | 510-1269 | ELECTRICAL COMPONENTS | 1 |



Artisan™
 SUPERIOR EQUIPMENT SOLUTIONS
 1085 BIXBY DRIVE
 CITY OF INDUSTRY, CA. 91745

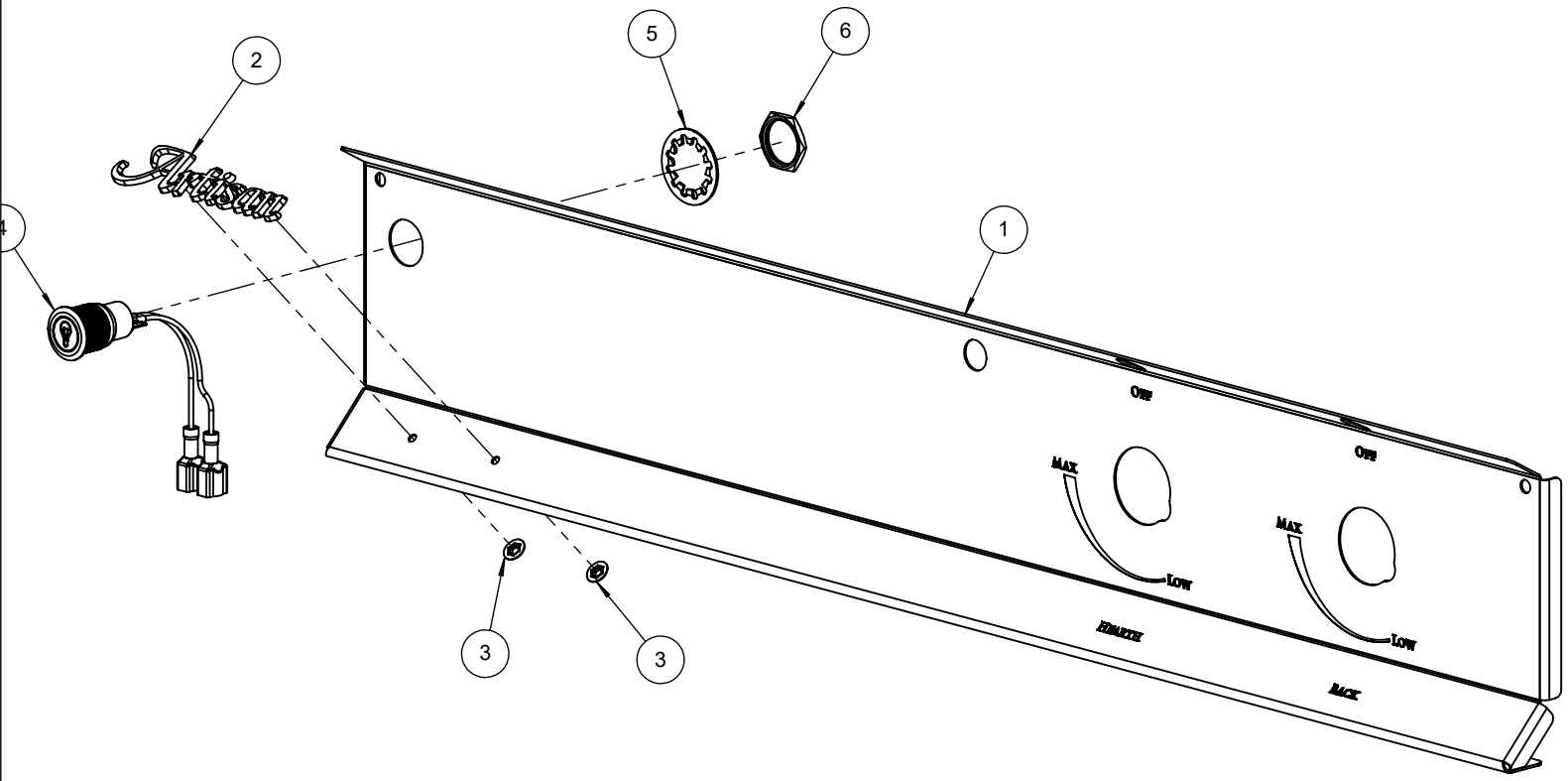
THE INFORMATION CONTAINED IN THIS DRAWING IS THE SOLE PROPERTY OF SUPERIOR EQUIPMENT SOLUTIONS INC. ANY REPRODUCTION IN PART OR AS A WHOLE WITHOUT WRITTEN PERMISSION FROM SUPERIOR EQUIPMENT SOLUTIONS, INC. IS PROHIBITED.
DRAWN BY: ADRIAN CRISCI
CREATED: 5/21/2019 6:10:11 AM

PROJECT TITLE:
SES
DRAWING TITLE:
BASE - MAIN ASSEMBLY

DRAWING NO.:
510-1260
SHEET 1 C

BILL OF MATERIAL

| NO. | PART # | DESCRIPTION | QTY |
|-----|----------|---|-----|
| 1 | 100-3113 | ARTP-PZA FRONT PANEL | 1 |
| 2 | 290-0356 | ARTISAN LOGO | 1 |
| 3 | 200-0093 | WASHER - PUSH LOCK 1/8" ID X 3/8" OD (LOGO) | 2 |
| 4 | 210-0584 | SWITCH - LIGHT - LATCHING [ON/OFF] | 1 |
| 5 | 210-0581 | WASHER - LOCK - Ø 19 mm - INTERNAL TEETH | 1 |
| 6 | 210-0582 | NUT - Ø 19 mm X 1 | 1 |



ArtisanTM
 SUPERIOR EQUIPMENT SOLUTIONS
 1085 BIXBY DRIVE
 CITY OF INDUSTRY, CA. 91745

THE INFORMATION CONTAINED IN THIS DRAWING IS THE SOLE PROPERTY OF SUPERIOR EQUIPMENT SOLUTIONS INC. ANY REPRODUCTION IN PART OR AS A WHOLE WITHOUT WRITTEN PERMISSION FROM SUPERIOR EQUIPMENT SOLUTIONS, INC. IS PROHIBITED.
DRAWN BY: ADRIAN CRISCI
CREATED: 5/21/2019 8:33:24 AM

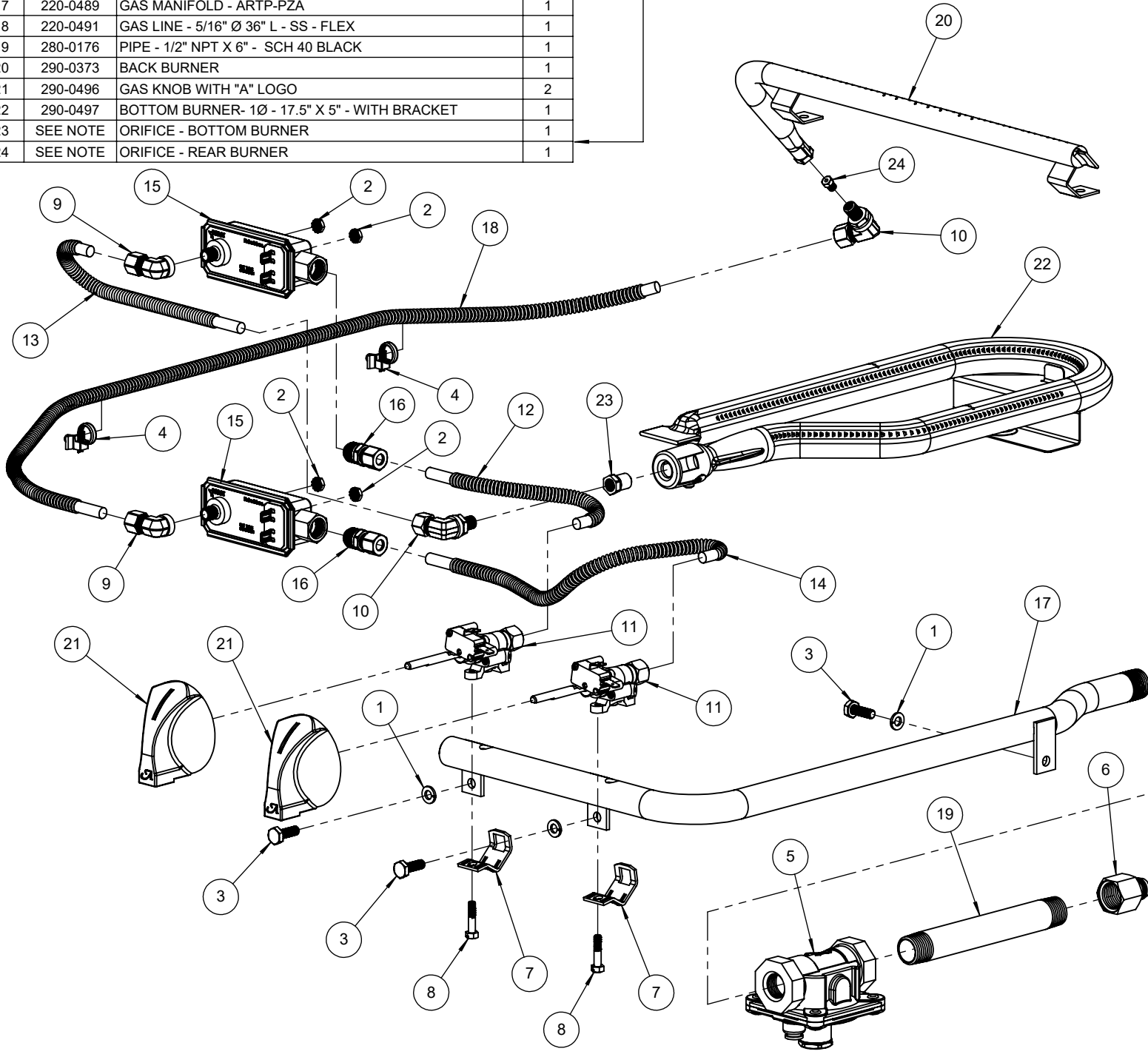
PROJECT TITLE:
SES
DRAWING TITLE:
CONTROL PANEL

DRAWING NO.:
510-1263
 SHEET 1 OF 1

BILL OF MATERIAL

| NO. | PART # | DESCRIPTION | QTY |
|-----|----------|--|-----|
| 1 | 200-0087 | WASHER, 1/4" - SPRING LOCK - SS | 3 |
| 2 | 200-0206 | 8-32 KEP NUT 18-8 STAINLESS | 4 |
| 3 | 200-0242 | BOLT 1/4-20 UNC x 3/4 - HEX HEAD - SS | 3 |
| 4 | 210-0258 | CABLE TIE - T&B L-5-50PM-9 | 2 |
| 5 | 220-0280 | REGULATOR GAS - MAXITROL RV48CL440002 | 1 |
| 6 | 220-0403 | NIPPLE 3/8" OD FL x 1/2" FPT (FOR LP HOOK-UP) | 1 |
| 7 | 220-0458 | BRACKET - GAS VALVE SADDLE MOUNT | 2 |
| 8 | 220-0459 | SCREW M5 x 26 - POZI*COMB*HEX HEAD- 11.5 PT | 2 |
| 9 | 220-0474 | ELBOW 90° - Ø 5/16" COMPRESSION X 3/8-27 UNS-2B | 2 |
| 10 | 220-0474 | ELBOW 1/8-27 UNS x 5/16" COMP | 2 |
| 11 | 220-0477 | GAS VALVE - SINGLE PORT 5/16" Ø COMP W/ SWITCH | 2 |
| 12 | 220-0478 | GAS LINE - 5/16" Ø 8" L - SS - FLEX | 1 |
| 13 | 220-0478 | GAS LINE - 5/16" Ø 8" L - SS - FLEX | 1 |
| 14 | 220-0480 | GAS LINE - 5/16" Ø X 13" L - SS - FLEX | 1 |
| 15 | 220-0483 | SAFETY GAS VALVE | 2 |
| 16 | 220-0485 | REDUCER 9/16-24 UNEF x 5/16" COMPRESSION - BRASS | 2 |
| 17 | 220-0489 | GAS MANIFOLD - ARTP-PZA | 1 |
| 18 | 220-0491 | GAS LINE - 5/16" Ø 36" L - SS - FLEX | 1 |
| 19 | 280-0176 | PIPE - 1/2" NPT X 6" - SCH 40 BLACK | 1 |
| 20 | 290-0373 | BACK BURNER | 1 |
| 21 | 290-0496 | GAS KNOB WITH "A" LOGO | 2 |
| 22 | 290-0497 | BOTTOM BURNER- 1Ø - 17.5" X 5" - WITH BRACKET | 1 |
| 23 | SEE NOTE | ORIFICE - BOTTOM BURNER | 1 |
| 24 | SEE NOTE | ORIFICE - REAR BURNER | 1 |

| FUEL ▶ | NG | | LP | |
|--------|------|----------|------|----------|
| ITEM ▼ | SIZE | NUMBER | SIZE | NUMBER |
| 23 | 50 | 220-0397 | 57 | 220-0398 |
| 24 | 42 | 220-0492 | 55 | 220-0415 |



Artisan™
 SUPERIOR EQUIPMENT SOLUTIONS
 1085 BIXBY DRIVE
 CITY OF INDUSTRY, CA. 91745

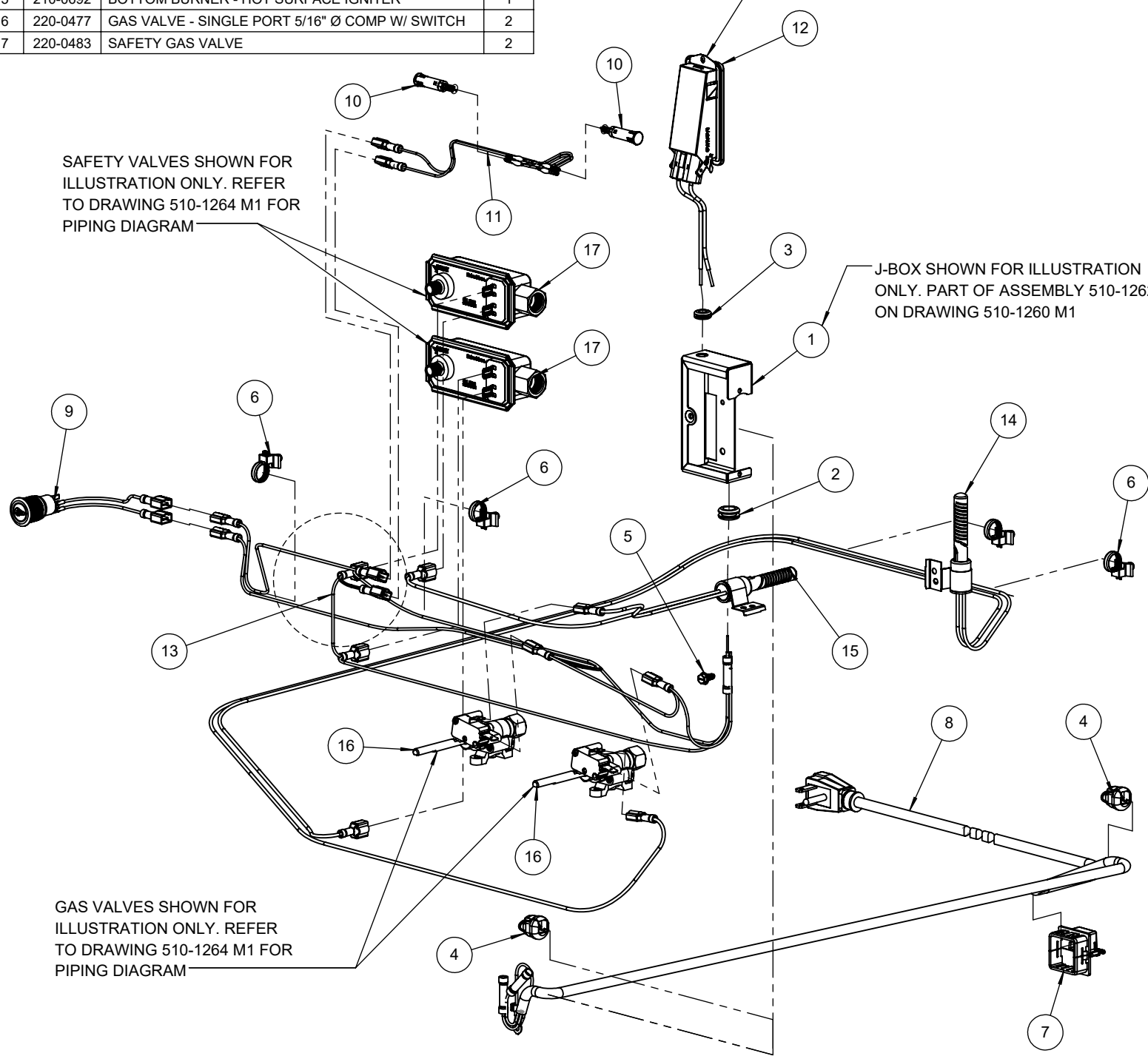
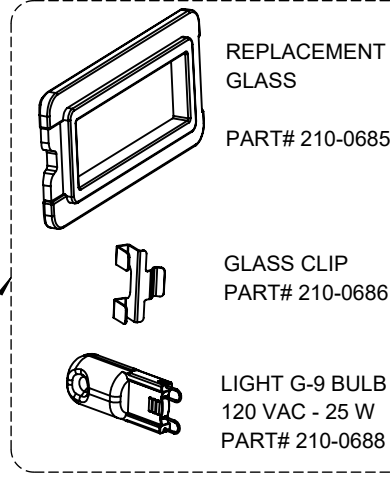
THE INFORMATION CONTAINED IN THIS DRAWING IS THE SOLE PROPERTY OF SUPERIOR EQUIPMENT SOLUTIONS INC. ANY REPRODUCTION IN PART OR AS A WHOLE WITHOUT WRITTEN PERMISSION FROM SUPERIOR EQUIPMENT SOLUTIONS, INC. IS PROHIBITED.
DRAWN BY: ADRIAN CRISCI
CREATED: 5/8/2019 3:13:07 PM

PROJECT TITLE:
ARTP-PZA
DRAWING TITLE:
MANIFOLD ASSEMBLY

DRAWING NO.:
510-1264
 SHEET 1 OF 1

BILL OF MATERIAL

| NO. | PART # | DESCRIPTION | QTY |
|-----|----------|--|-----|
| 1 | 100-3118 | ARTP-PZA J-BOX | 1 |
| 2 | 200-0003 | GROMMET 3/8" Ø - MMC# 9600K33 | 1 |
| 3 | 200-0007 | GROMMET 1/4" Ø - SRB RUBBER | 1 |
| 4 | 200-0009 | HEYCO STRESS RELIEF BUSHING # 1200 SR 6N3-4 | 2 |
| 5 | 200-0320 | SCREW 8-32 x 3/8" - GROUNDING SCREW | 1 |
| 6 | 210-0258 | CABLE TIE - T&B L-5-50PM-9 | 4 |
| 7 | 210-0269 | CABLE STRAIN RELIEF - HEYCO 1843 | 1 |
| 8 | 210-0499 | NEMA 5-15 - 90° PLUG 18/3 EXTENSION CORD | 1 |
| 9 | 210-0584 | SWITCH - LIGHT - LATCHING [ON/OFF] | 1 |
| 10 | 210-0624 | LIGHT - BLUE LED - 8mm Ø - 110 VAC | 2 |
| 11 | 210-0675 | LIGHT HARNESS | 1 |
| 12 | 210-0680 | LAMP FIXTURE G9-B / 120 V - 25 W | 1 |
| 13 | 210-0681 | ARTP-PZA ELECTRICAL HARNESS | 1 |
| 14 | 210-0691 | BACK BURNER - HOT SURFACE IGNITER | 1 |
| 15 | 210-0692 | BOTTOM BURNER - HOT SURFACE IGNITER | 1 |
| 16 | 220-0477 | GAS VALVE - SINGLE PORT 5/16" Ø COMP W/ SWITCH | 2 |
| 17 | 220-0483 | SAFETY GAS VALVE | 2 |



BILL OF MATERIAL

| NO. | PART # | DESCRIPTION | QTY |
|-----|----------|---|-----|
| 1 | 100-3148 | ARTP-PZA OVEN COVER HANDLE | 1 |
| 2 | 100-3149 | ARTP-PZA OVEN COVER HANDLE HEAT SHIELD | 1 |
| 3 | 200-0092 | 1/4 X 1/8 X 5/8 FLAT WASHER - SPACER | 4 |
| 4 | 200-0112 | SCREW 10-32 X 1/4 X 1/8 X 1/4- SHOULDER - 1/8 SOCKET - SS | 4 |
| 5 | 200-0194 | POP RIVET Ø.125 X .063- .125 RANGE | 2 |
| 6 | 290-0468 | BUMBER - OBROUND - 600 °F - BLACK SILICONE | 4 |
| 7 | 510-1268 | ARTP-PZA - OVEN FRONT COVER BACK ASSEMBLY | 1 |

