

Artisan

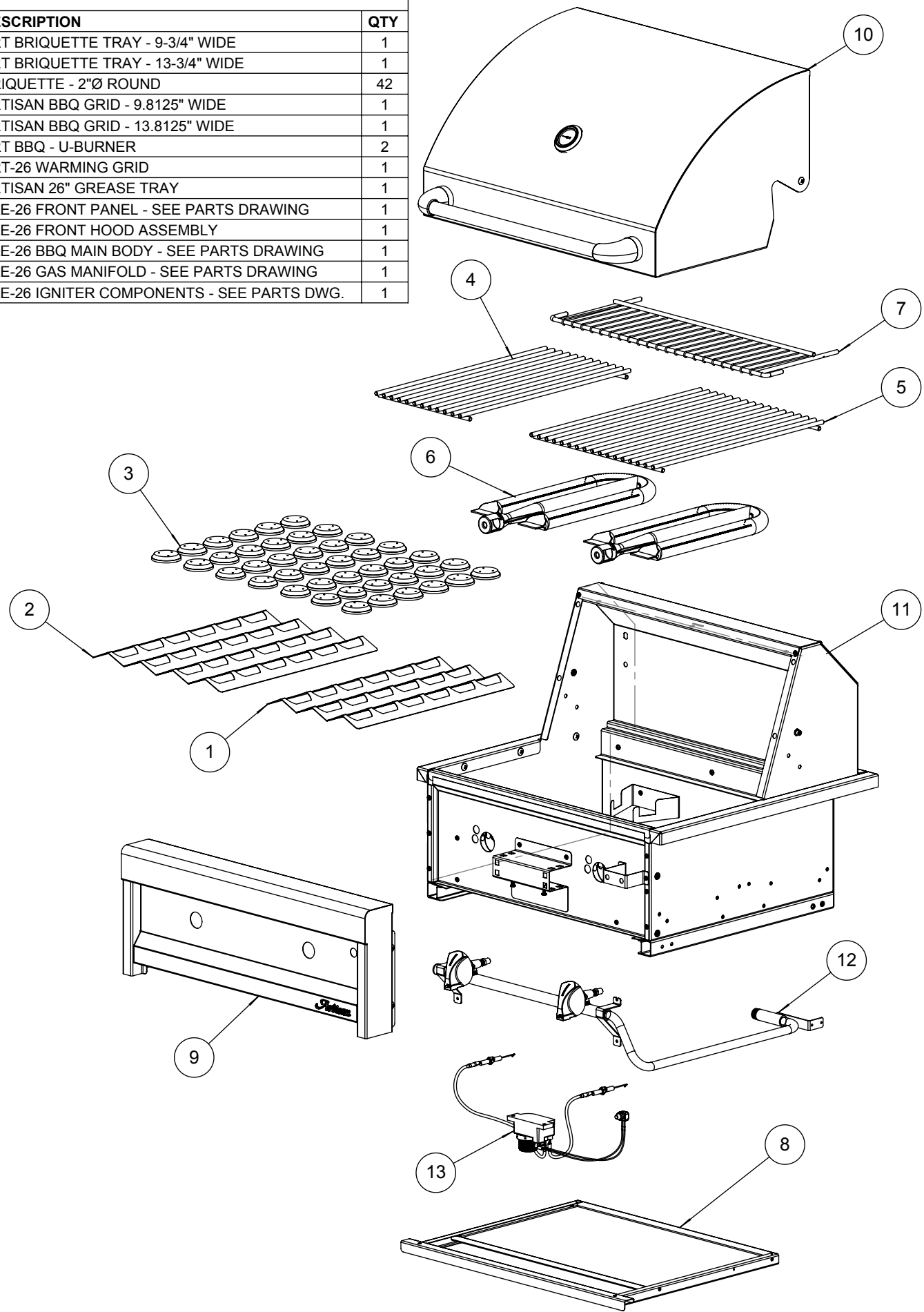


AMERICAN EAGLE: AAE-26

***BUILT-IN 26" BBQ GRILL WITH
DUAL BURNERS***

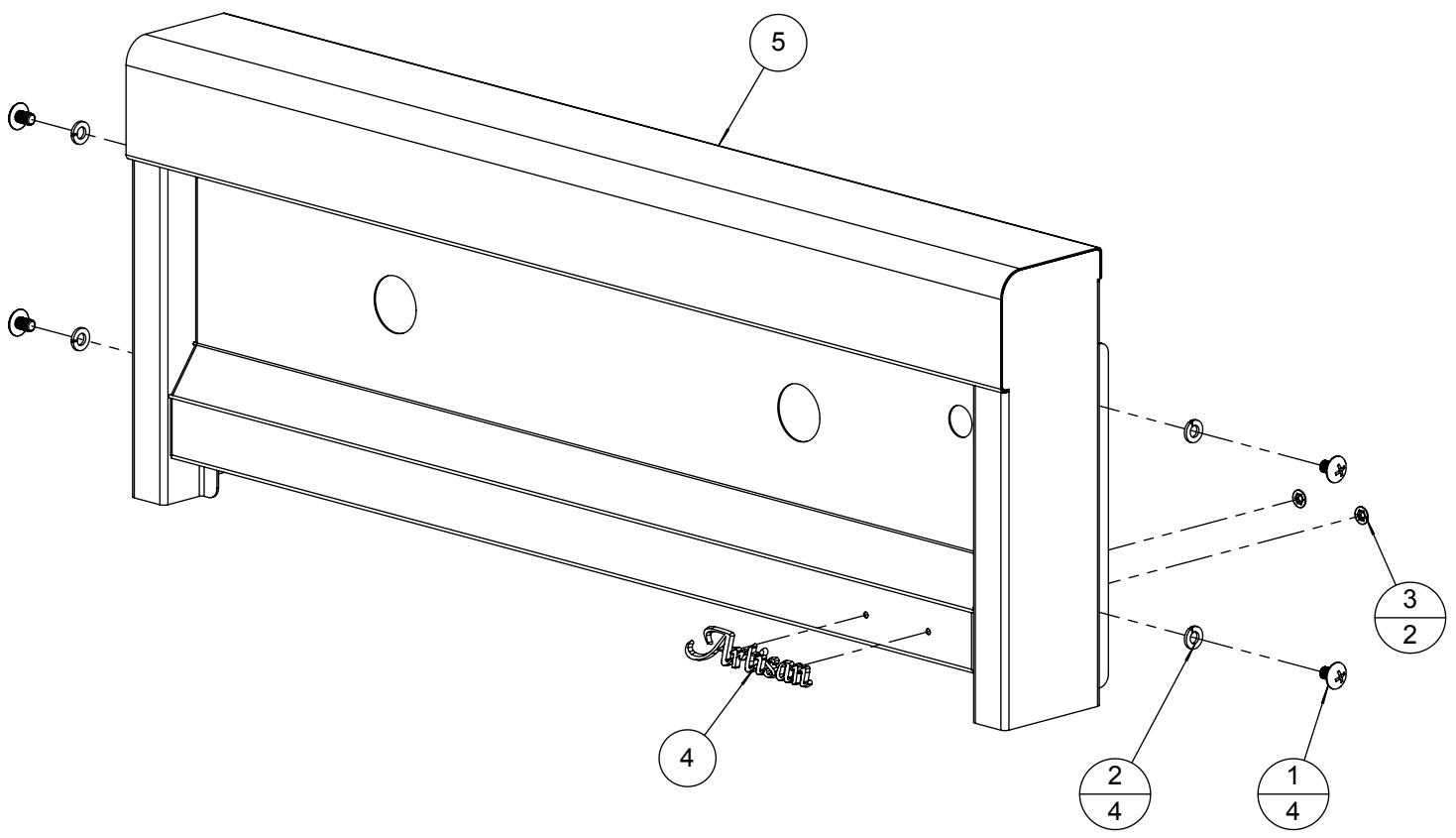
BILL OF MATERIAL

NO.	PART #	DESCRIPTION	QTY
1	100-2376	ART BRIQUETTE TRAY - 9-3/4" WIDE	1
2	100-2377	ART BRIQUETTE TRAY - 13-3/4" WIDE	1
3	265-0030	BRIQUETTE - 2"Ø ROUND	42
4	290-0323	ARTISAN BBQ GRID - 9.8125" WIDE	1
5	290-0324	ARTISAN BBQ GRID - 13.8125" WIDE	1
6	290-0355	ART BBQ - U-BURNER	2
7	290-0361	ART-26 WARMING GRID	1
8	510-0573	ARTISAN 26" GREASE TRAY	1
9	510-0759	AAE-26 FRONT PANEL - SEE PARTS DRAWING	1
10	510-0775	AAE-26 FRONT HOOD ASSEMBLY	1
11	510-0819	AAE-26 BBQ MAIN BODY - SEE PARTS DRAWING	1
12	510-0845	AAE-26 GAS MANIFOLD - SEE PARTS DRAWING	1
13	510-0846	AAE-26 IGNITER COMPONENTS - SEE PARTS DWG.	1



BILL OF MATERIAL

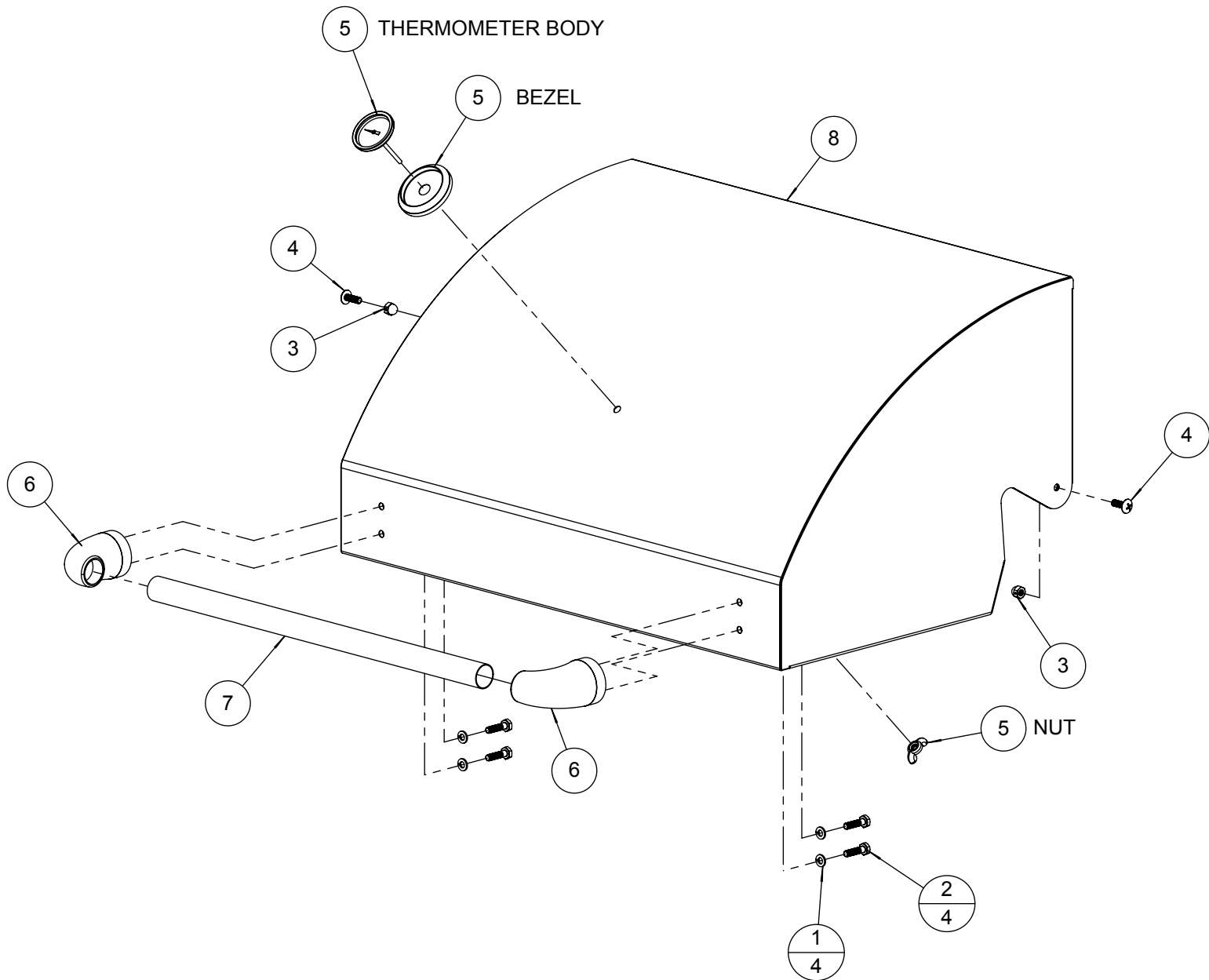
NO.	PART #	DESCRIPTION	QTY
1	200-0086	1/4-20 X 3/8 - TRUSS HEAD - PHILIPS SCREW	4
2	200-0087	WASHER - 1/4" SPRING LOCK- REGULAR - SS	4
3	200-0093	WASHER - PUSH LOCK 1/8" ID X 3/8" OD (LOGO)	2
4	290-0356	ARTISAN LOGO	1
5	510-0838	AAE-26 FRONT PANEL ASSEMBLY - WELDED PARTS	1



A	ITEM NUMBER
B	QUANTITY

BILL OF MATERIAL

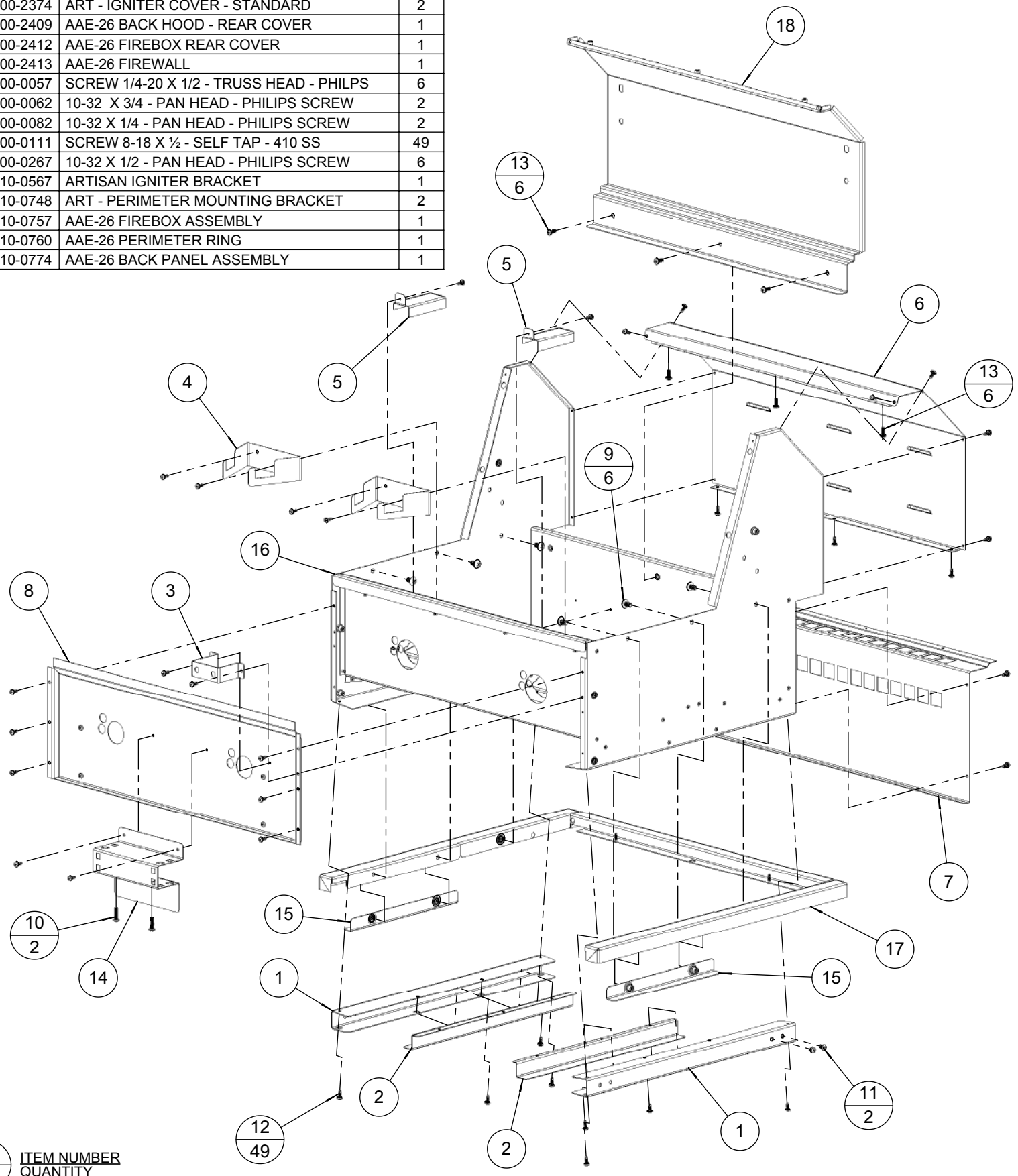
NO.	PART #	DESCRIPTION	QTY
1	200-0087	WASHER - 1/4" SPRING LOCK- REGULAR - SS	4
2	200-0091	HH- HD - 1/4-20 x 1 x .75 THREAD	4
3	200-0313	NUT 1/4 x 20 - ACORN - SELF LOCKING	2
4	200-0340	SCREW 1/4-20 x 3/4 - TRUSS HEAD - PHILLIP	2
5	210-0490	ARTISAN THERMOMETER ASSEMBLY	1
6	290-0063	HANDLE - END CAP ASSEMBLY	2
7	290-0326	ARTISAN 26" BBQ - FRONT HOOD HANDLE BAR	1
8	510-0776	AAE-26 FRONT HOOD - WELDED PARTS	1



A	ITEM NUMBER
B	QUANTITY

BILL OF MATERIAL

NO.	PART #	DESCRIPTION	QTY
1	100-2024	FIREBOX TRAY SLIDE PART-A	2
2	100-2025	FIREBOX TRAY SLIDE PART-B	2
3	100-2038	ARTISAN IGNITER & LIGHT SWITCH BRACKET	1
4	100-2373	ART - BURNER BRACKET	2
5	100-2374	ART - IGNITER COVER - STANDARD	2
6	100-2409	AAE-26 BACK HOOD - REAR COVER	1
7	100-2412	AAE-26 FIREBOX REAR COVER	1
8	100-2413	AAE-26 FIREWALL	1
9	200-0057	SCREW 1/4-20 X 1/2 - TRUSS HEAD - PHILIPS	6
10	200-0062	10-32 X 3/4 - PAN HEAD - PHILIPS SCREW	2
11	200-0082	10-32 X 1/4 - PAN HEAD - PHILIPS SCREW	2
12	200-0111	SCREW 8-18 X 1/2 - SELF TAP - 410 SS	49
13	200-0267	10-32 X 1/2 - PAN HEAD - PHILIPS SCREW	6
14	510-0567	ARTISAN IGNITER BRACKET	1
15	510-0748	ART - PERIMETER MOUNTING BRACKET	2
16	510-0757	AAE-26 FIREBOX ASSEMBLY	1
17	510-0760	AAE-26 PERIMETER RING	1
18	510-0774	AAE-26 BACK PANEL ASSEMBLY	1



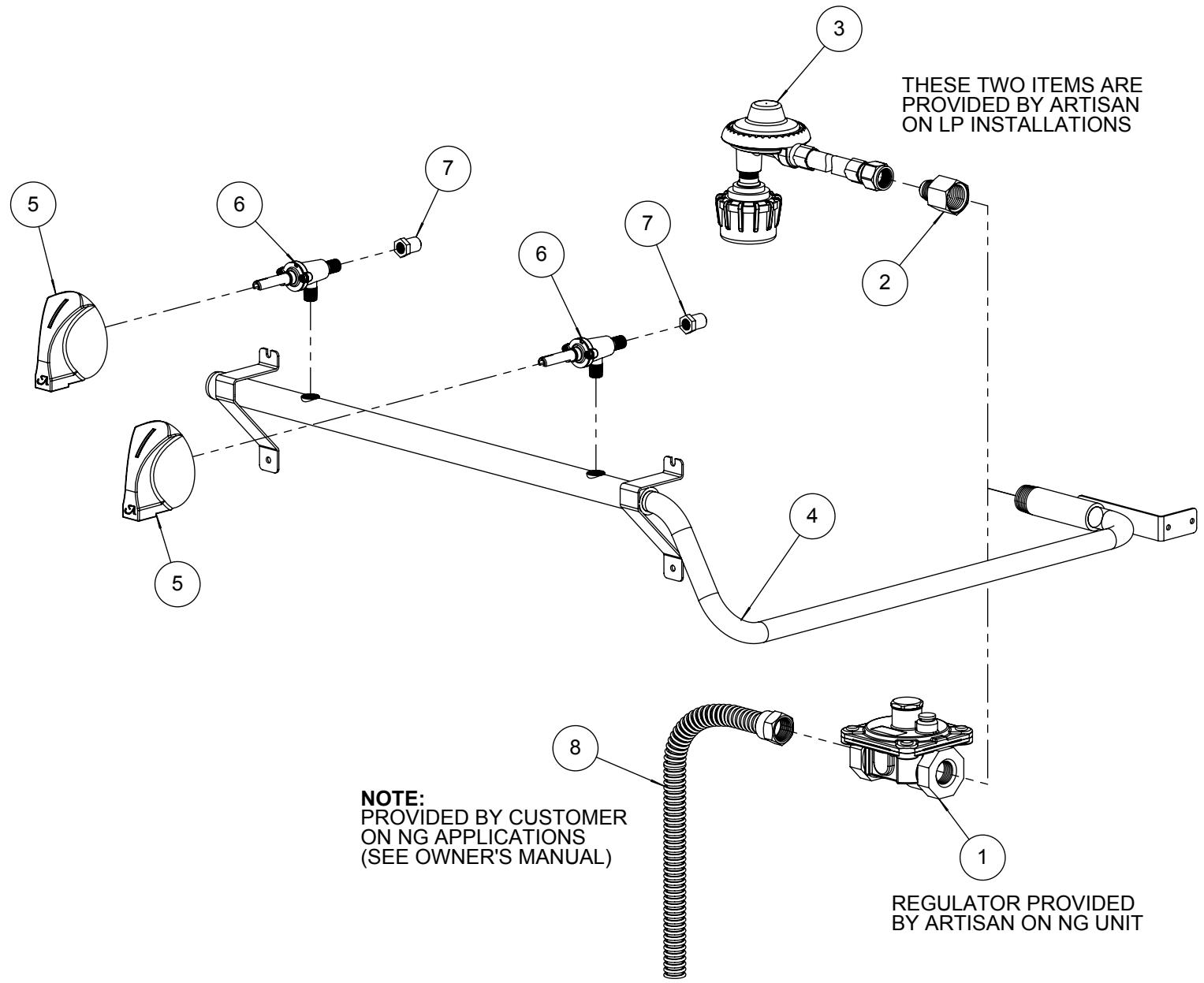
A ITEM NUMBER
B QUANTITY

BILL OF MATERIAL

NO.	PART #	DESCRIPTION	QTY
1	220-0280	REGULATOR GAS - MAXITROL RV48CL440002	1
2	220-0403	NIPPLE 3/8" OD FL x 1/2" FPT (FOR LP HOOK-UP)	1
3	220-0430	REGULATOR - LP GAS - W/ 3/6" Hose - 90° TYPE 1 CONN.BLACK	1
4	220-0433	GAS MANIFOLD - ART2-26 / AAE-26	1
5	290-0030	ARTISAN GAS KNOB WITH "A" LOGO	2
6	290-0320	VALVE - GAS - VARIABLE FLOW - 1/8-27 MPT X 1/8-27 NPTS	2
7	SEE NOTE	ORIFICE - MAIN BURNER - (SEE NOTE FOR SIZING)	2
8	SEE NOTE	1/2" ODF - FLEX SS GAS LINE (BY CUSTOMER)	1

NOTE: ORIFICE OR VALVE ASSEMBLY TO CHANGE ACCORDING TO FUEL SUPPLY: NATURAL GAS OR LIQUID PROPANE

ITEM	NG GAS	LP GAS
	PART #	PART #
7	220-0397	220-0398



BILL OF MATERIAL

NO.	PART #	DESCRIPTION	QTY
1	210-0195	IGNITER MODULE - 2 POINTS (WITH CAP)	1
2	210-0198	SWITCH - WEATHER BOOT & CAP	1
3	210-0443	IGNITION POWER WIRE	1
4	210-0491	ARTISAN U-BURNER ELECTRODE TIP	2
5	210-0540	AAE-26 IGNITER WIRE KIT	1

