

Artisan

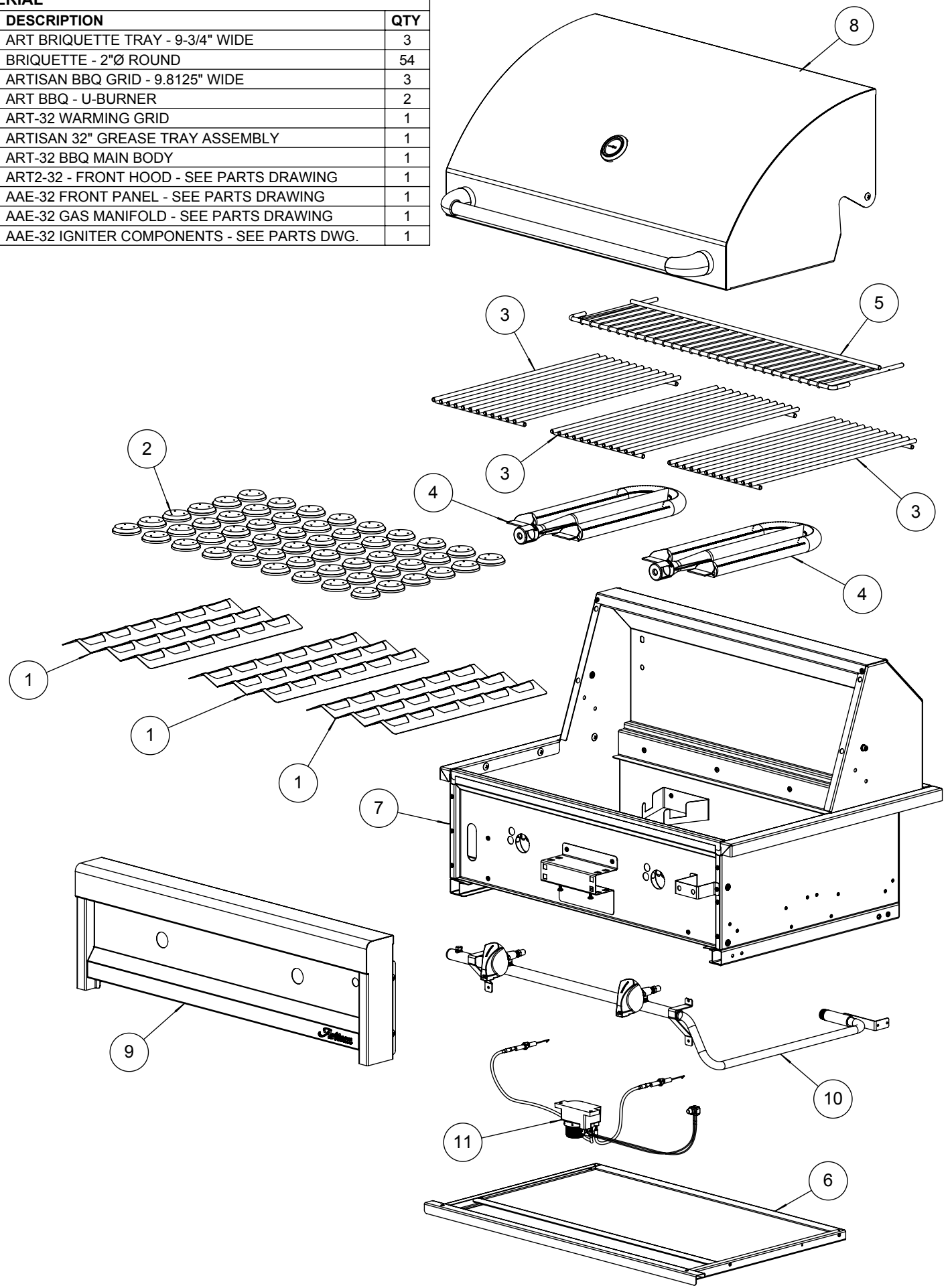


AMERICAN EAGLE: AAE-32

**BUILT-IN 32" BBQ GRILL WITH
DUAL BURNERS**

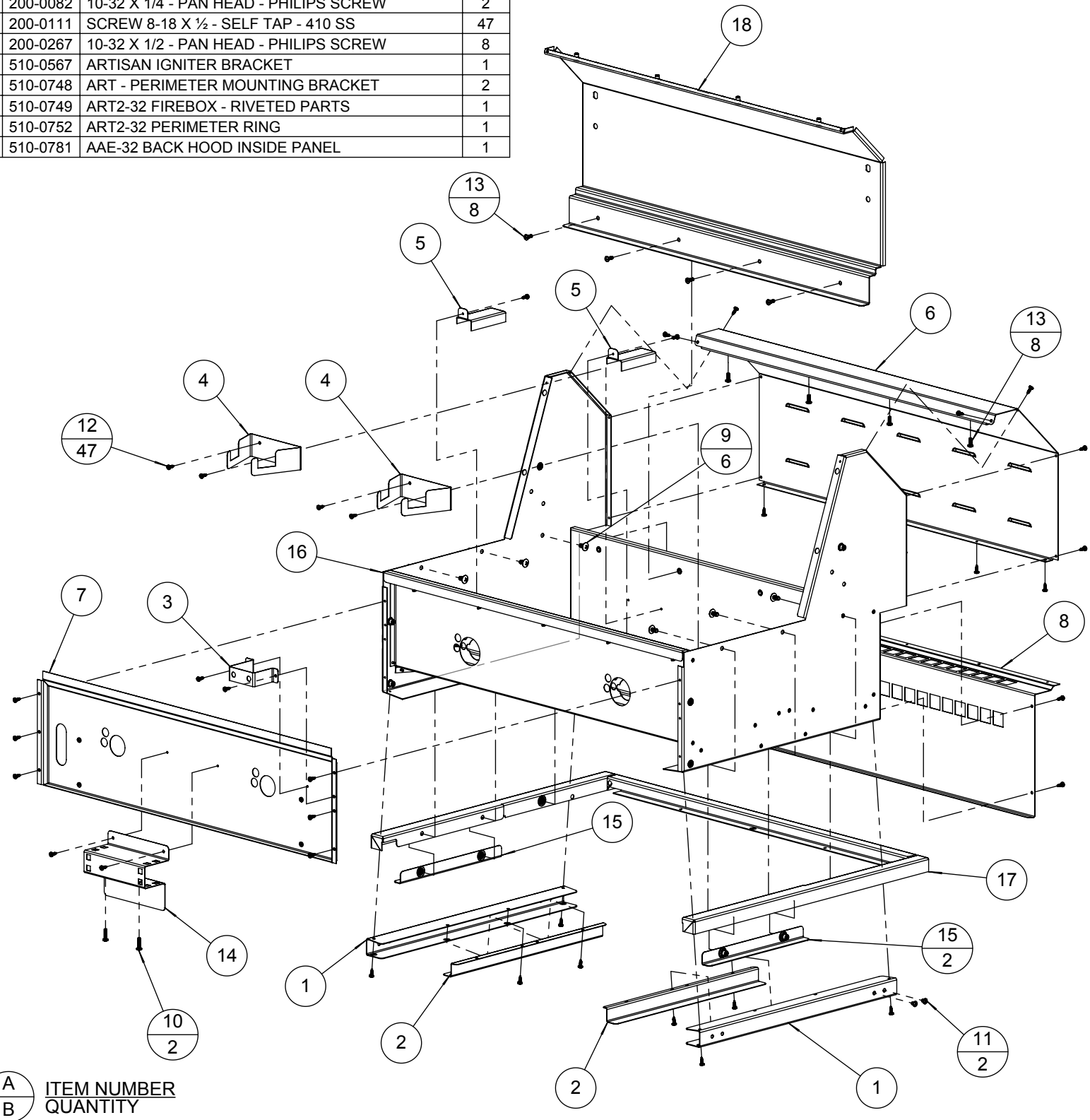
BILL OF MATERIAL

NO.	PART #	DESCRIPTION	QTY
1	100-2376	ART BRIQUETTE TRAY - 9-3/4" WIDE	3
2	265-0030	BRIQUETTE - 2"Ø ROUND	54
3	290-0323	ARTISAN BBQ GRID - 9.8125" WIDE	3
4	290-0355	ART BBQ - U-BURNER	2
5	290-0360	ART-32 WARMING GRID	1
6	510-0566	ARTISAN 32" GREASE TRAY ASSEMBLY	1
7	510-0750	ART-32 BBQ MAIN BODY	1
8	510-0756	ART2-32 - FRONT HOOD - SEE PARTS DRAWING	1
9	510-0780	AAE-32 FRONT PANEL - SEE PARTS DRAWING	1
10	510-0843	AAE-32 GAS MANIFOLD - SEE PARTS DRAWING	1
11	510-0844	AAE-32 IGNITER COMPONENTS - SEE PARTS DWG.	1



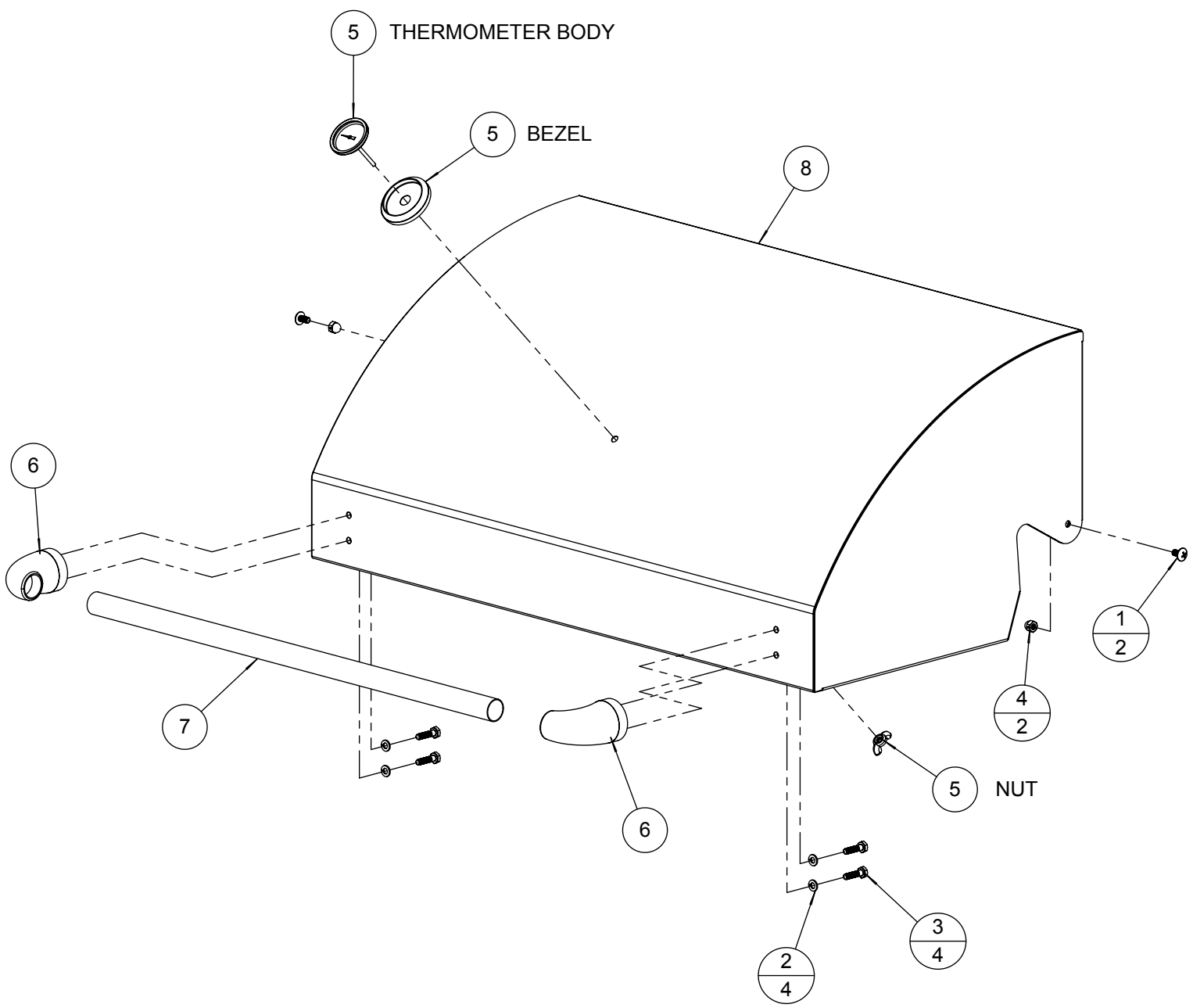
BILL OF MATERIAL

NO.	PART #	DESCRIPTION	QTY
1	100-2024	FIREBOX TRAY SLIDE PART-A	2
2	100-2025	FIREBOX TRAY SLIDE PART-B	2
3	100-2038	ARTISAN IGNITER & LIGHT SWITCH BRACKET	1
4	100-2373	ART - BURNER BRACKET	2
5	100-2374	ART - IGNITER COVER - STANDARD	2
6	100-2398	ART2-32 BACK HOOD - REAR COVER	1
7	100-2401	ART2-32 FIREWALL	1
8	100-2421	AAE-32 FIREBOX REAR COVER	1
9	200-0057	SCREW 1/4-20 X 1/2 - TRUSS HEAD - PHILIPS	6
10	200-0062	10-32 X 3/4 - PAN HEAD - PHILIPS SCREW	2
11	200-0082	10-32 X 1/4 - PAN HEAD - PHILIPS SCREW	2
12	200-0111	SCREW 8-18 X 1/2 - SELF TAP - 410 SS	47
13	200-0267	10-32 X 1/2 - PAN HEAD - PHILIPS SCREW	8
14	510-0567	ARTISAN IGNITER BRACKET	1
15	510-0748	ART - PERIMETER MOUNTING BRACKET	2
16	510-0749	ART2-32 FIREBOX - RIVETED PARTS	1
17	510-0752	ART2-32 PERIMETER RING	1
18	510-0781	AAE-32 BACK HOOD INSIDE PANEL	1



A ITEM NUMBER
B QUANTITY

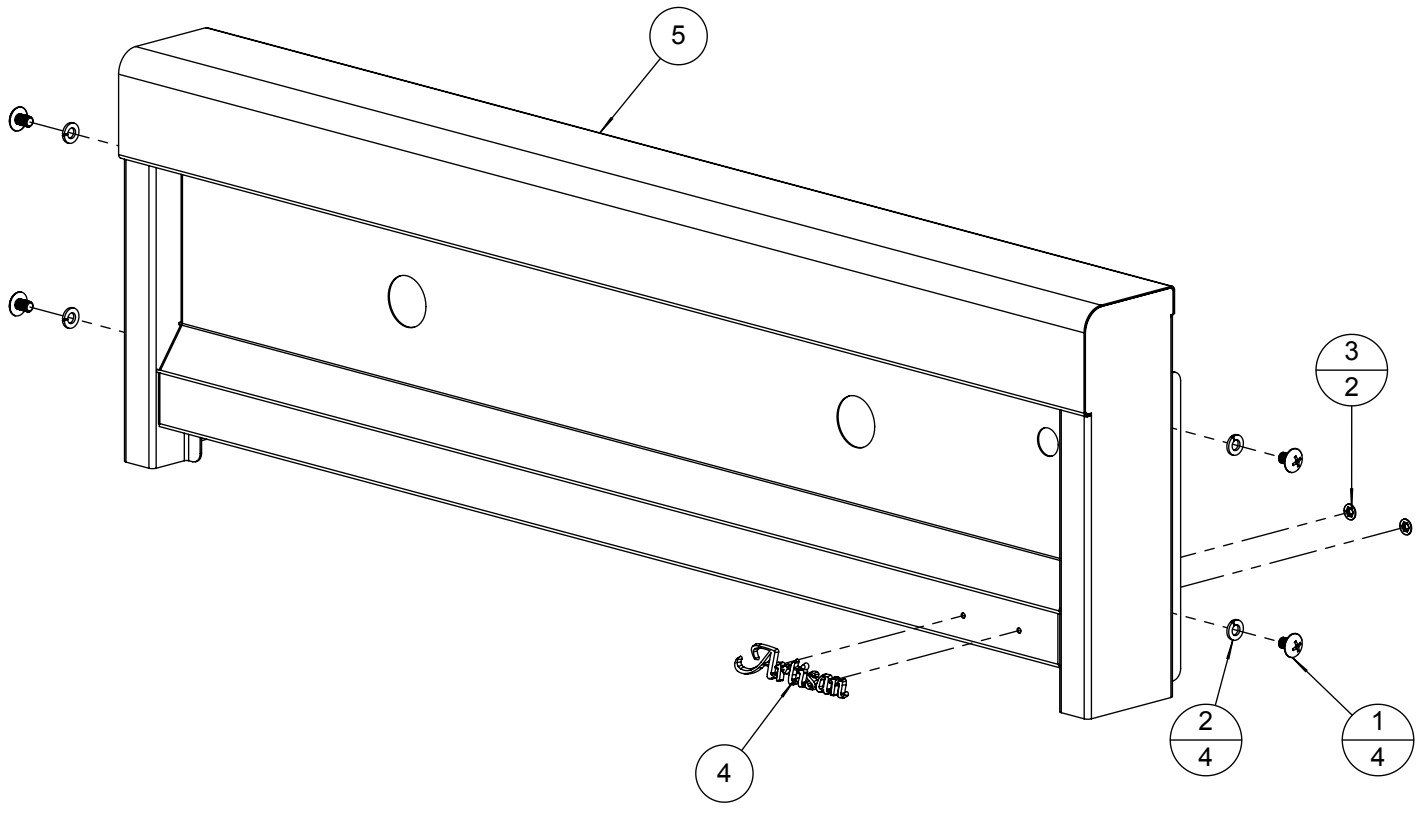
BILL OF MATERIAL			
NO.	PART #	DESCRIPTION	QTY
1	200-0057	SCREW 1/4-20 X 1/2 - TRUSS HEAD - PHILPS	2
2	200-0087	WASHER - 1/4" SPRING LOCK- REGULAR - SS	4
3	200-0091	HH- HD - 1/4-20 x 1 x .75 THREAD	4
4	200-0313	NUT 1/4 x 20 - ACORN - SELF LOCKING	2
5	210-0490	ARTISAN THERMOMETER ASSEMBLY	1
6	290-0063	HANDLE - END CAP ASSEMBLY	2
7	290-0316	ARTISAN 32" BBQ - FRONT HOOD HANDLE BAR	1
8	510-0755	ART2-32 FRONT HOOD - WELDED PARTS	1



A	ITEM NUMBER
B	QUANTITY

BILL OF MATERIAL

NO.	PART #	DESCRIPTION	QTY
1	200-0086	1/4-20 X 3/8 - TRUSS HEAD - PHILIPS SCREW	4
2	200-0087	WASHER - 1/4" SPRING LOCK- REGULAR - SS	4
3	200-0093	WASHER - PUSH LOCK 1/8" ID X 3/8" OD (LOGO)	2
4	290-0356	ARTISAN LOGO	1
5	510-0839	AAE-32 FRONT PANEL - WELDED PARTS	1



A	ITEM NUMBER
B	



THE INFORMATION CONTAINED IN THIS DRAWING IS THE SOLE PROPERTY OF SUPERIOR EQUIPMENT SOLUTIONS INC. ANY REPRODUCTION IN PART OR AS A WHOLE WITHOUT WRITTEN PERMISSION FROM SUPERIOR EQUIPMENT SOLUTIONS, INC. IS PROHIBITED.

DRAWN BY: ADRIAN CRISCI
CREATED: 3/5/2014 4:18:02 PM

PROJECT TITLE:
AAE GRILLS

DRAWING TITLE:
AAE-32 FRONT PANEL ASSEMBLY

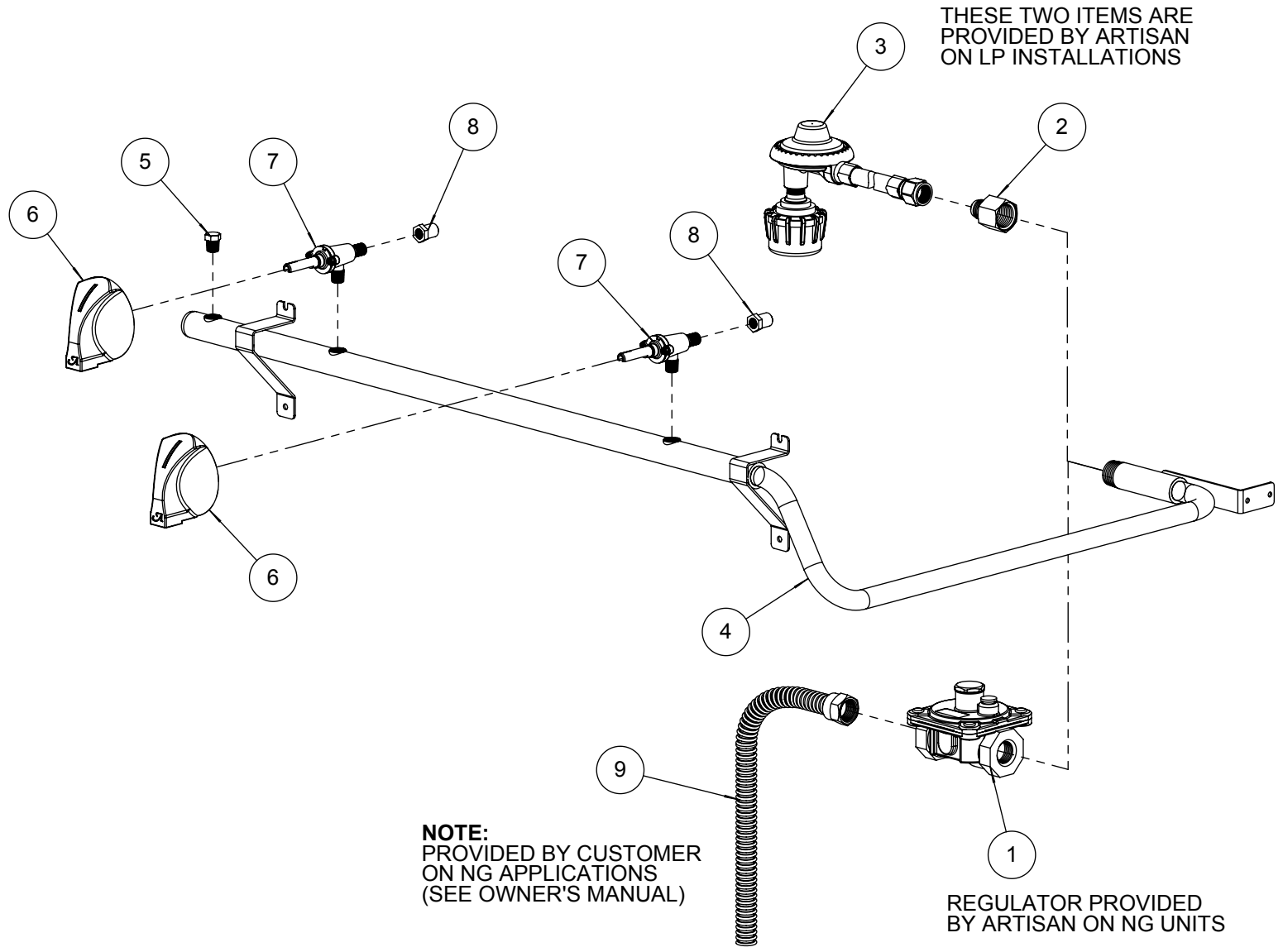
DRAWING NO.:
510-0780M

BILL OF MATERIAL

NO.	PART #	DESCRIPTION	QTY
1	220-0280	REGULATOR GAS - MAXITROL RV48CL440002	1
2	220-0403	NIPPLE 3/8" OD FL x 1/2" FPT (FOR LP HOOK-UP)	1
3	220-0430	REGULATOR - LP GAS - W/ 36" Hose - 90° TYPE 1 CONN.BLACK	1
4	220-0432	GAS MANIFOLD - ART2-32 / AAE-32	1
5	220-0434	PLUG 1/8"x27 NPT - BRASS - HEX HEAD HOLLOW	1
6	290-0030	ARTISAN GAS KNOB WITH "A" LOGO	2
7	290-0320	VALVE - GAS - VARIABLE FLOW - 1/8-27 MPT X 1/8-27 NPTS	2
8	SEE NOTE	ORIFICE - MAIN BURNER - (SEE NOTE FOR SIZING)	2
9	SEE NOTE	1/2" ODF - FLEX SS GAS LINE (BY CUSTOMER)	1

NOTE: ORIFICE OR VALVE ASSEMBLY TO CHANGE ACCORDING TO FUEL SUPPLY: NATURAL GAS OR LIQUID PROPANE

ITEM	NG GAS	LP GAS
	PART #	PART #
8	220-0436	220-0437



BILL OF MATERIAL

NO.	PART #	DESCRIPTION	QTY
1	210-0195	IGNITER MODULE - 2 POINTS (WITH CAP)	1
2	210-0198	SWITCH - WEATHER BOOT & CAP	1
3	210-0443	IGNITION POWER WIRE	1
4	210-0491	ARTISAN U-BURNER ELECTRODE TIP	2
5	210-0540	AAE-32 IGNITER WIRE KIT	1

