

This Owner's Manual is provided and hosted by [Appliance Factory Parts](#).



# Alfresco AAEP-26 Owner's Manual

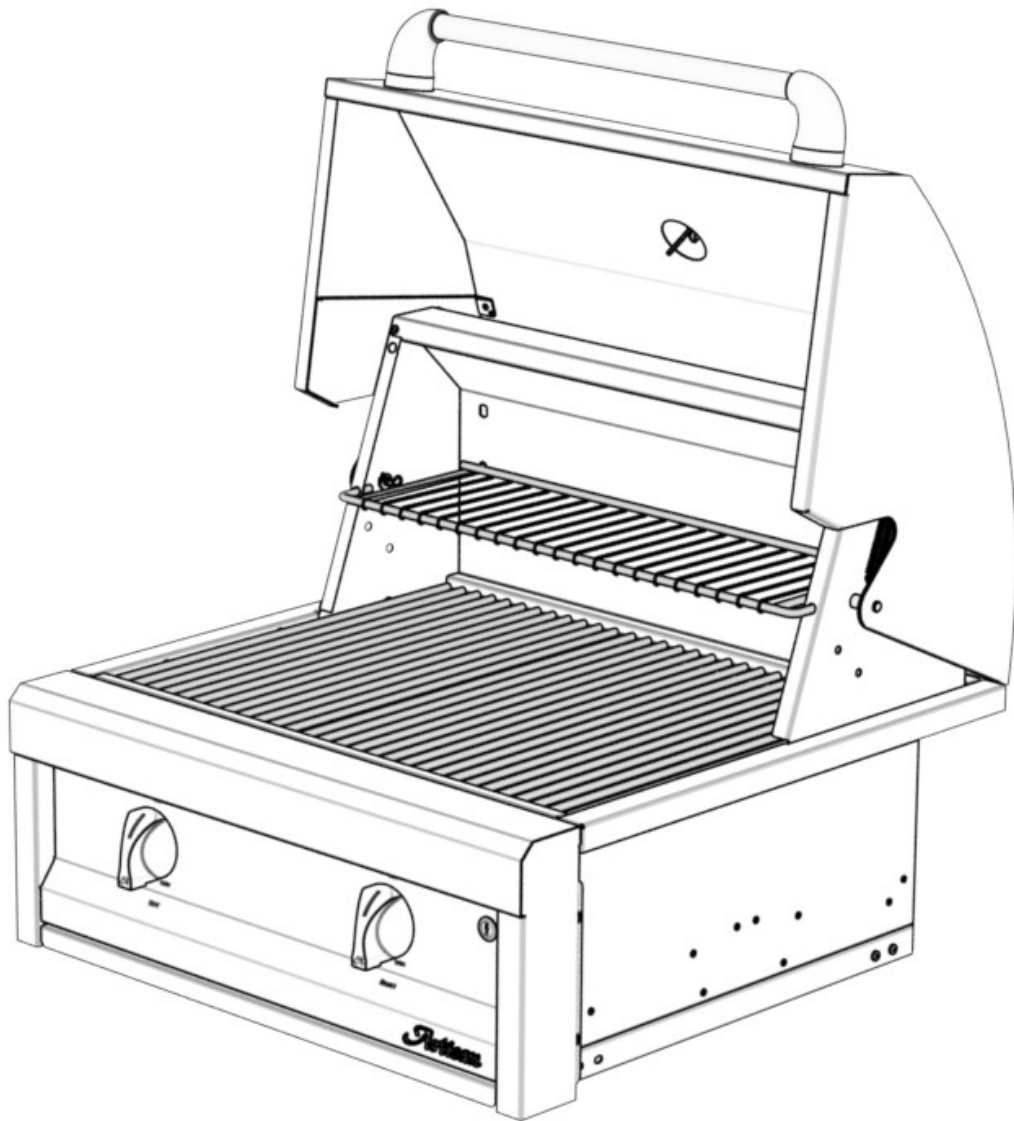
[Shop genuine replacement parts for Alfresco AAEP-26](#)



[Find Your Alfresco Grill Parts - Select From 126 Models](#)

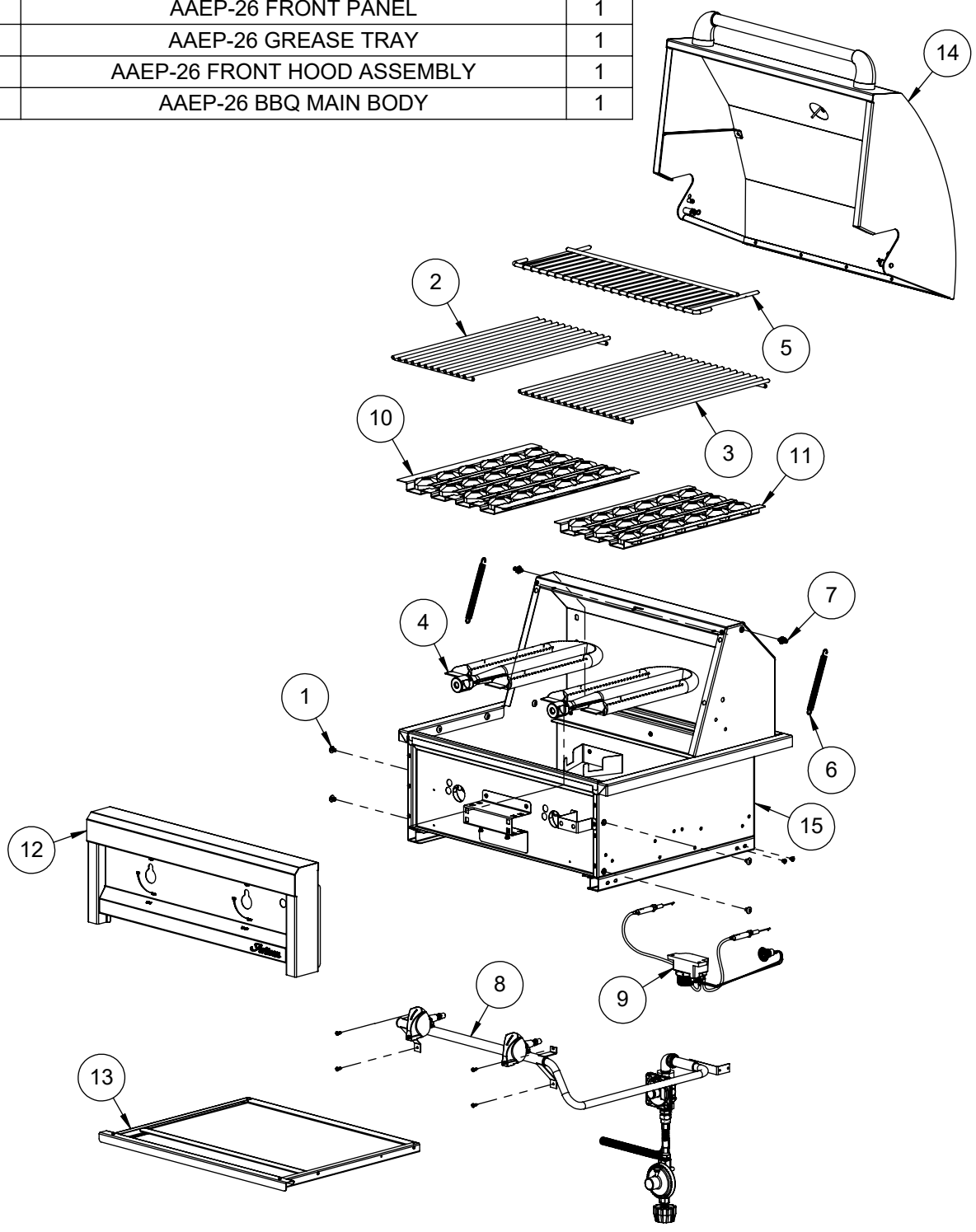
----- Manual continues below -----

# Artisan



***AAEP-26 Parts Manual***  
***BUILT-IN 26" BBQ GRILL WITH DUAL BURNERS***  
***Serial Numbers up to 17-99999***

ITEM	PART NUMBER	DESCRIPTION	QTY
1	200-0086	1/4-20 X 3/8 - TRUSS HEAD - PHILIPS SCREW	4
2	290-0323	ARTISAN BBQ GRID - 9.8125" WIDE	1
3	290-0324	ARTISAN BBQ GRID - 13.8125" WIDE	1
4	290-0355	ART BBQ - U-BURNER	2
5	290-0361	ART-26 WARMING GRID	1
6	290-0443	SPRING TEMPERED- .513 OD x 4.875 L	2
7	290-0447	ARTP HOOD SPRING LATCH	2
8	510-0845	AAE-26 GAS MANIFOLD	1
9	510-0846	AAEP-26 IGNITER COMPONENTS	1
10	510-1024	ARTP - BRIQUETTE TRAY ASSEMBLY - 13 1/2"	1
11	510-1025	ARTP - BRIQUETTE TRAY ASSEMBLY - 9-3/4"	1
12	510-1035	AAEP-26 FRONT PANEL	1
13	510-1039	AAEP-26 GREASE TRAY	1
14	510-1041	AAEP-26 FRONT HOOD ASSEMBLY	1
15	510-1043	AAEP-26 BBQ MAIN BODY	1



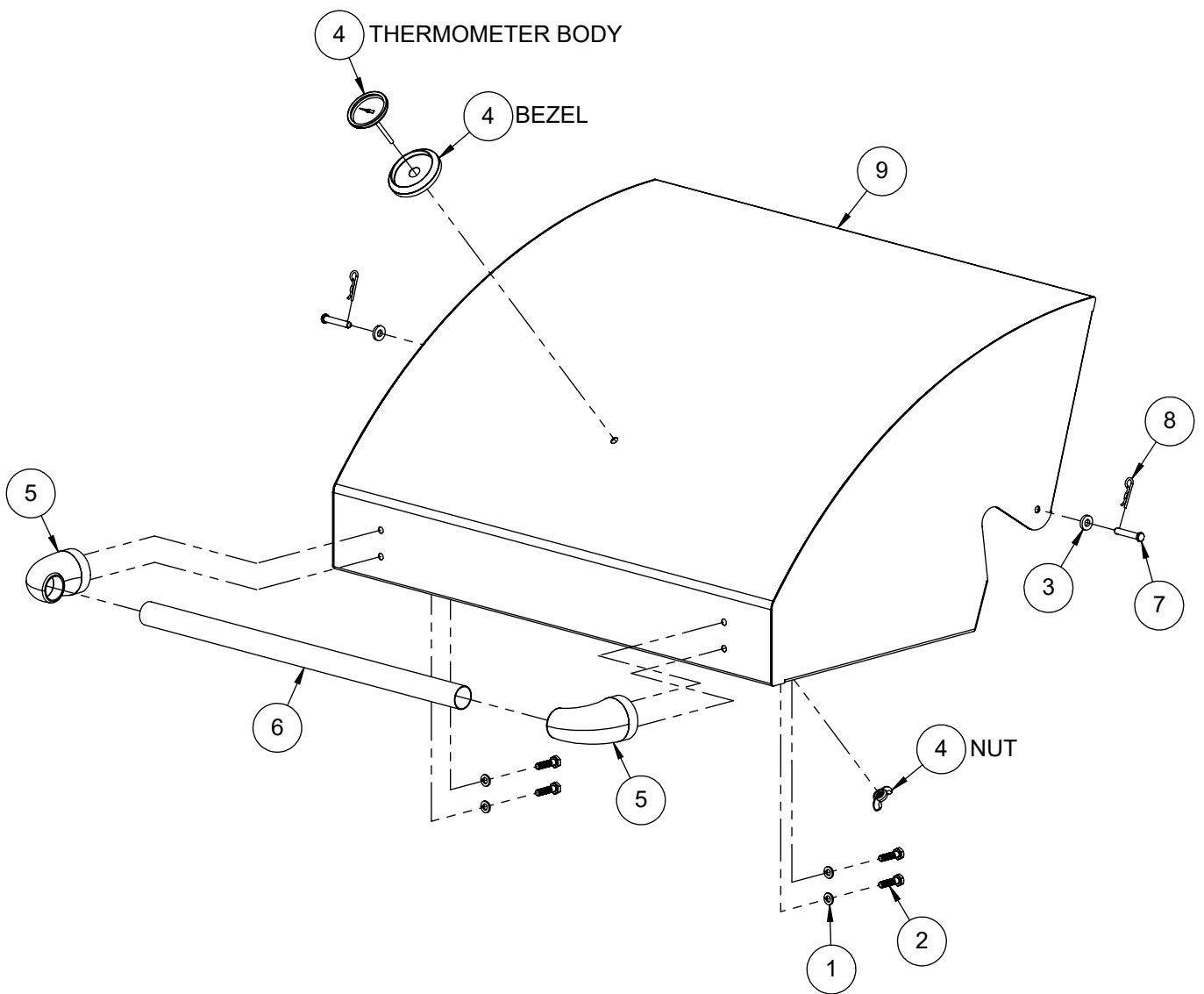
**Artisan**  
 SUPERIOR EQUIPMENT SOLUTIONS  
 7039 EAST SLAUSON AVENUE  
 COMMERCE, CA. 90040

THE INFORMATION CONTAINED IN THIS DRAWING IS THE SOLE PROPERTY OF SUPERIOR EQUIPMENT SOLUTIONS INC. ANY REPRODUCTION IN PART OR AS A WHOLE WITHOUT WRITTEN PERMISSION FROM SUPERIOR EQUIPMENT SOLUTIONS, INC. IS PROHIBITED.  
**DRAWN BY:** N SILCOCK  
**CREATED:** 8/4/2016 11:33:04 AM

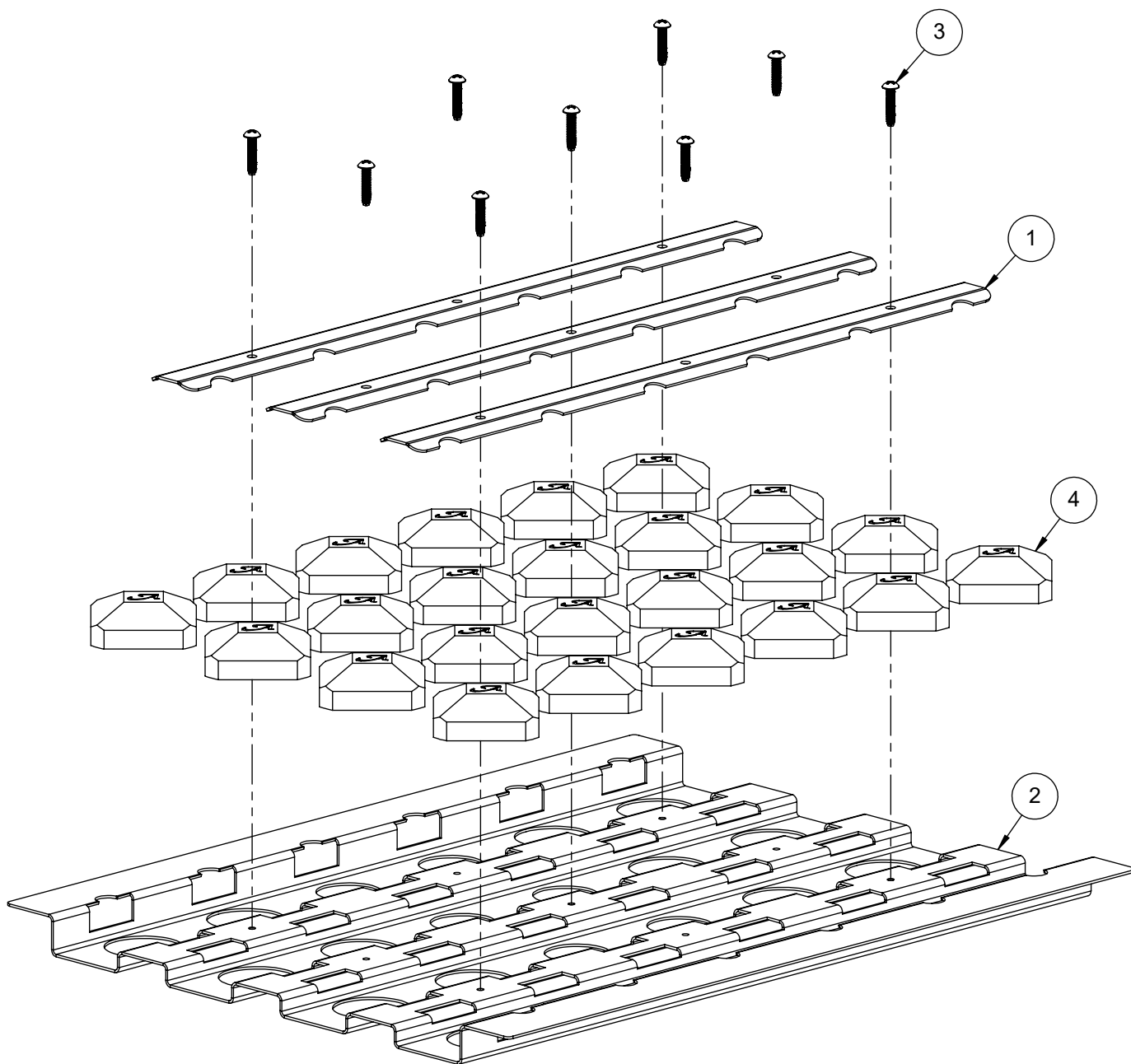
**PROJECT TITLE:**  
**AAEP-26**  
**DRAWING TITLE:**  
**AAEP-26 BBQ MAIN ASSEMBLY**

**DRAWING NO.:**  
**500-019**  
**SHEET 1 OF 1**

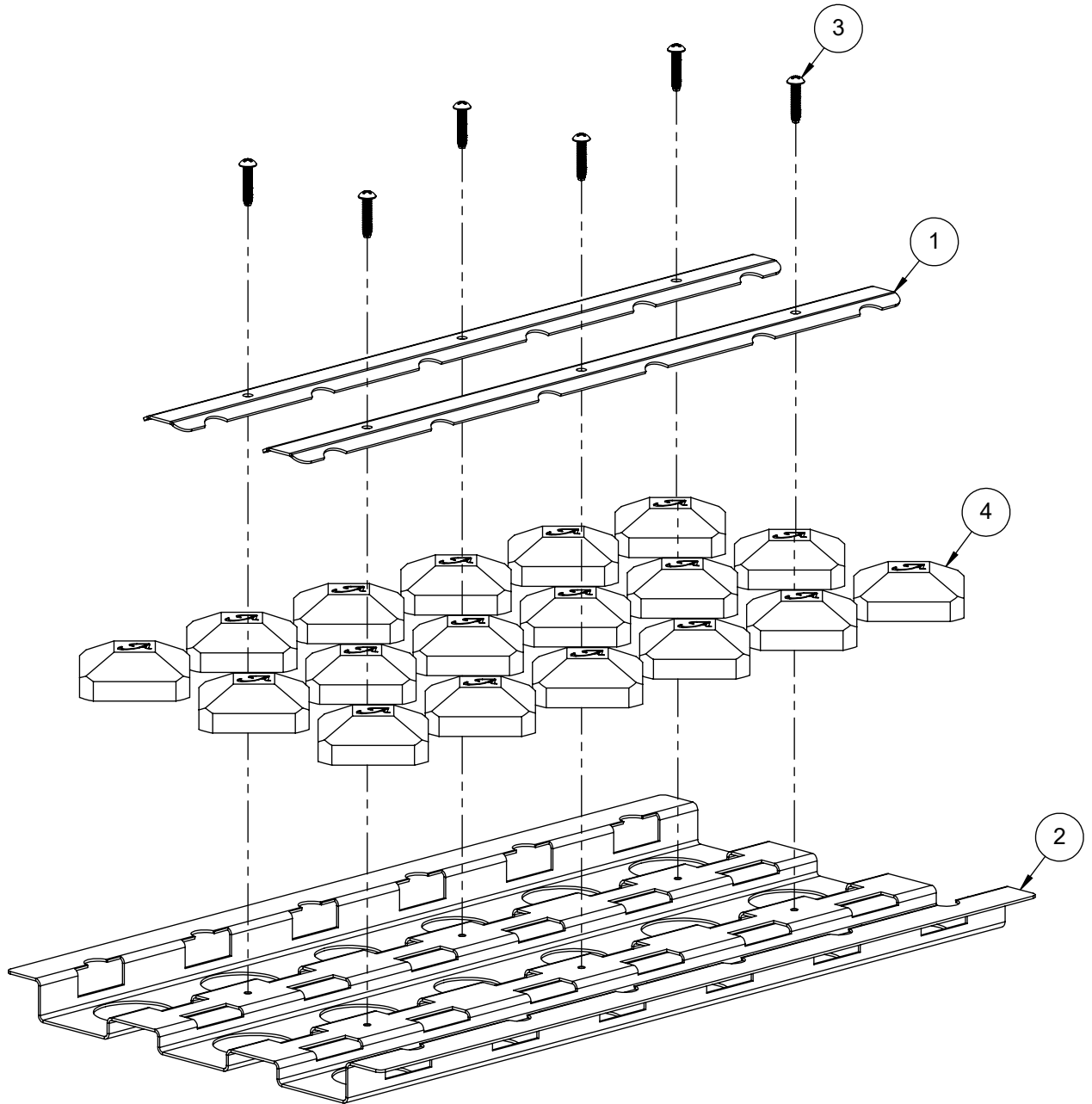
ITEM	PART NUMBER	DESCRIPTION	QTY
1	200-0087	WASHER - 1/4" SPRING LOCK- REGULAR - SS	4
2	200-0091	HH- HD - 1/4-20 x 1 x .75 THREAD	4
3	200-0092	1/4 X 1/8 X 5/8 FLAT WASHER - SPACER	2
4	210-0490	ARTISAN THERMOMETER ASSEMBLY	1
5	290-0063	HANDLE - END CAP ASSEMBLY	2
6	290-0326	ARTISAN 26" BBQ - FRONT HOOD HANDLE BAR	1
7	290-0445	CLEVIS PIN - 1/4"Ø x 1-3/8	2
8	290-0448	COTTER PIN - HAIRPIN 1/4" ~ 3/8" Pin Ø x 1-1/4" L x 5/64" WIRE	2
9	510-1042	AAEP-26 FRONT HOOD - WELDED PARTS	1



ITEM	PART NUMBER	DESCRIPTION	QTY
1	100-1895	ALX2 - BRIQUETTE LOCK BAR	3
2	100-2668	ARTP - BRIQUETTE TRAY BASE - 13 1/2" WIDE	1
3	200-0312	SCREW 8-32 x 3/4"- PAN HEAD - PHILLIPS - THREAD CUTTER TYPE F	9
4	265-0005	BRIQUETTE - ALFRESCO CUSTOM	24



ITEM	PART NUMBER	DESCRIPTION	QTY
1	100-1895	ALX2 - BRIQUETTE LOCK BAR	2
2	100-2669	ARTP - BRIQUETTE TRAY BASE	1
3	200-0312	SCREW 8-32 x 3/4" - PAN HEAD - PHILLIPS - THREAD CUTTER TYPE F	6
4	265-0005	BRIQUETTE - ALFRESCO CUSTOM	18



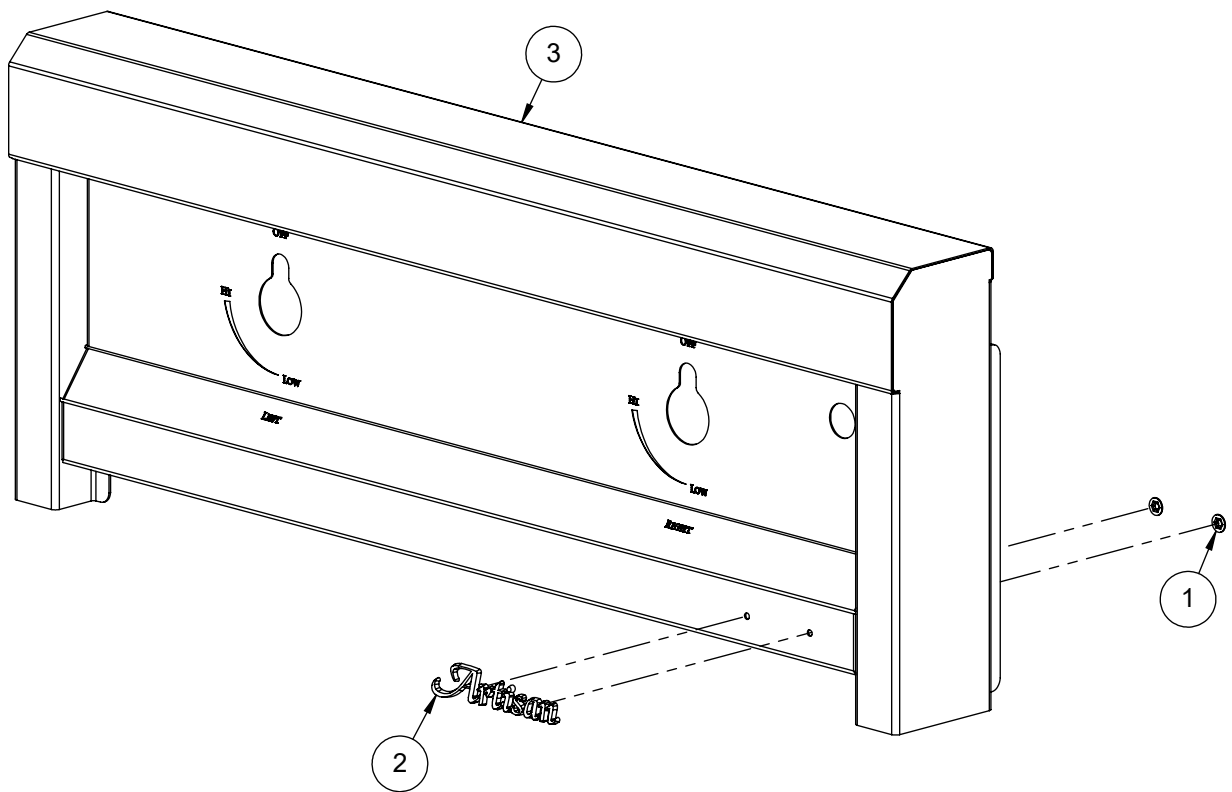
**Artisan**  
 SUPERIOR EQUIPMENT SOLUTIONS  
 7039 EAST SLAUSON AVENUE  
 COMMERCE, CA. 90040

THE INFORMATION CONTAINED IN THIS DRAWING IS THE SOLE PROPERTY OF SUPERIOR EQUIPMENT SOLUTIONS INC. ANY REPRODUCTION IN PART OR AS A WHOLE WITHOUT WRITTEN PERMISSION FROM SUPERIOR EQUIPMENT SOLUTIONS, INC. IS PROHIBITED.  
**DRAWN BY:** N SILCOCK  
**CREATED:** 8/10/2016 6:24:09 AM

**PROJECT TITLE:**  
**AAEP BARBECUES**  
**DRAWING TITLE:**  
**BRIQUETTE TRAY ASSEMBLY - 9-3/4"**

**DRAWING NO.:**  
**510-102**  
**SHEET 1 OF 1**

ITEM	PART NUMBER	DESCRIPTION	QTY
1	200-0093	WASHER - PUSH LOCK 1/8" ID X 3/8" OD (LOGO)	2
2	290-0356	ARTISAN LOGO	1
3	510-1036	AAEP-26 FRONT PANEL ASSEMBLY - WELDED PARTS	1



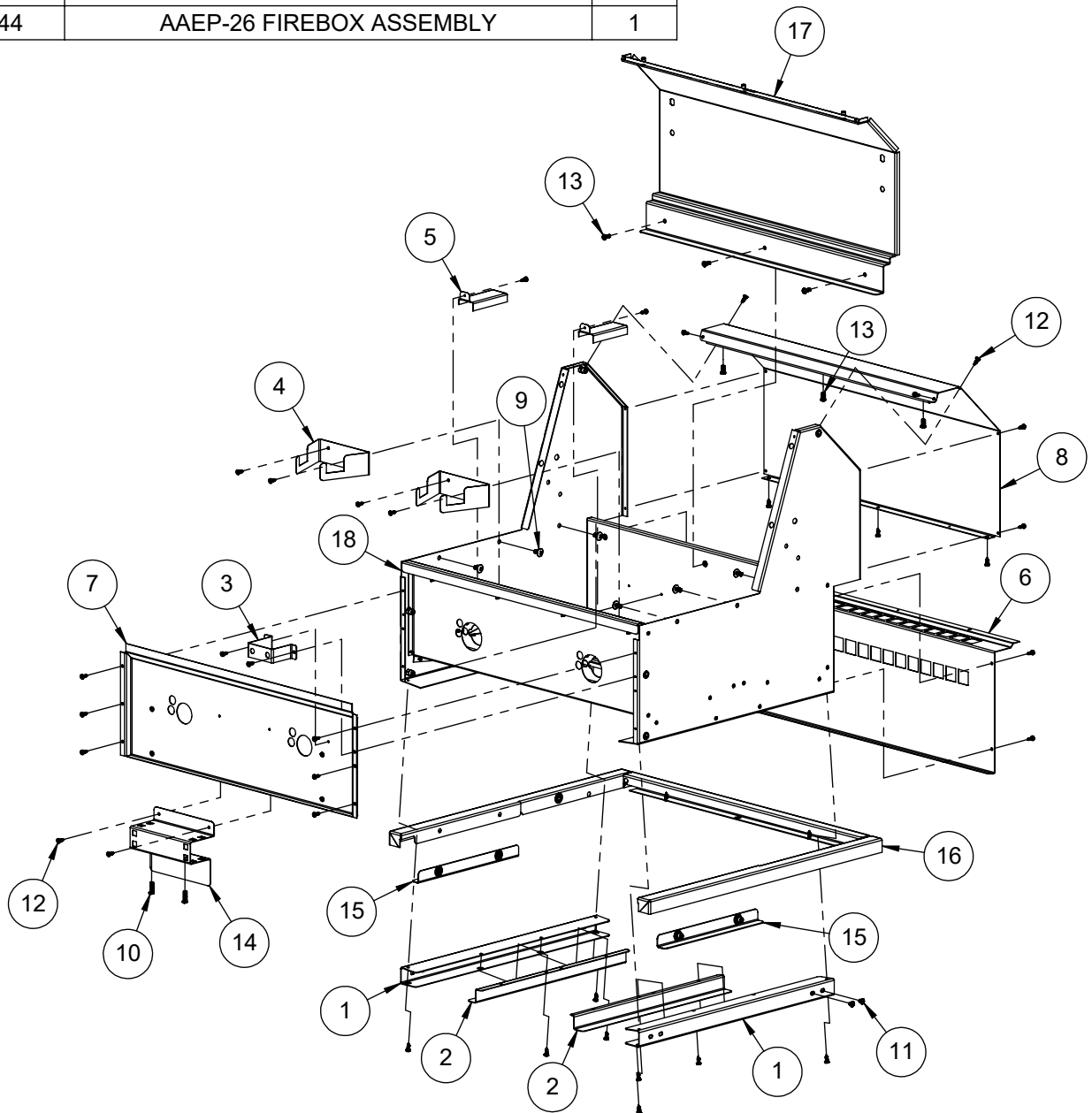
**Artisan**  
 SUPERIOR EQUIPMENT SOLUTIONS  
 7039 EAST SLAUSON AVENUE  
 COMMERCE, CA. 90040

THE INFORMATION CONTAINED IN THIS DRAWING IS THE SOLE PROPERTY OF SUPERIOR EQUIPMENT SOLUTIONS INC. ANY REPRODUCTION IN PART OR AS A WHOLE WITHOUT WRITTEN PERMISSION FROM SUPERIOR EQUIPMENT SOLUTIONS, INC. IS PROHIBITED.  
**DRAWN BY:** N SILCOCK  
**CREATED:** 8/5/2016 10:24:43 AM

**PROJECT TITLE:**  
**AAEP-26**  
**DRAWING TITLE:**  
**AAEP-26 FRONT PANEL**

**DRAWING NO.:**  
**510-103**  
**SHEET 1 C**

ITEM	PART NUMBER	DESCRIPTION	QTY
1	100-2024	FIREBOX TRAY SLIDE PART-A	2
2	100-2025	FIREBOX TRAY SLIDE PART-B	2
3	100-2038	ARTISAN IGNITER & LIGHT SWITCH BRACKET	1
4	100-2373	ART - BURNER BRACKET	2
5	100-2374	ART - IGNITER COVER - STANDARD	2
6	100-2412	AAE-26 FIREBOX REAR COVER	1
7	100-2413	AAE-26 FIREWALL	1
8	100-2702	AAEP-26 BACK HOOD - REAR COVER	1
9	200-0057	SCREW 1/4-20 X 1/2 - TRUSS HEAD - PHILLIPS	6
10	200-0062	10-32 X 3/4 - PAN HEAD - PHILLIPS SCREW	2
11	200-0082	10-32 X 1/4 - PAN HEAD - PHILIPS SCREW	2
12	200-0111	SCREW 8-18 X 1/2 - SELF TAP - 410 SS	49
13	200-0267	10-32 X 1/2 - PAN HEAD - PHILLIPS SCREW	6
14	510-0567	ARTISAN IGNITER BRACKET	1
15	510-0748	ART - PERIMETER MOUNTING BRACKET	2
16	510-0760	AAE-26 PERIMETER RING	1
17	510-0774	AAE-26 BACK PANEL ASSEMBLY	1
18	510-1044	AAEP-26 FIREBOX ASSEMBLY	1



**Artisan**  
 SUPERIOR EQUIPMENT SOLUTIONS  
 7039 EAST SLAUSON AVENUE  
 COMMERCE, CA. 90040

THE INFORMATION CONTAINED IN THIS DRAWING IS THE SOLE PROPERTY OF SUPERIOR EQUIPMENT SOLUTIONS INC. ANY REPRODUCTION IN PART OR AS A WHOLE WITHOUT WRITTEN PERMISSION FROM SUPERIOR EQUIPMENT SOLUTIONS, INC. IS PROHIBITED.  
**DRAWN BY:** N SILCOCK  
**CREATED:** 8/5/2016 1:34:29 PM

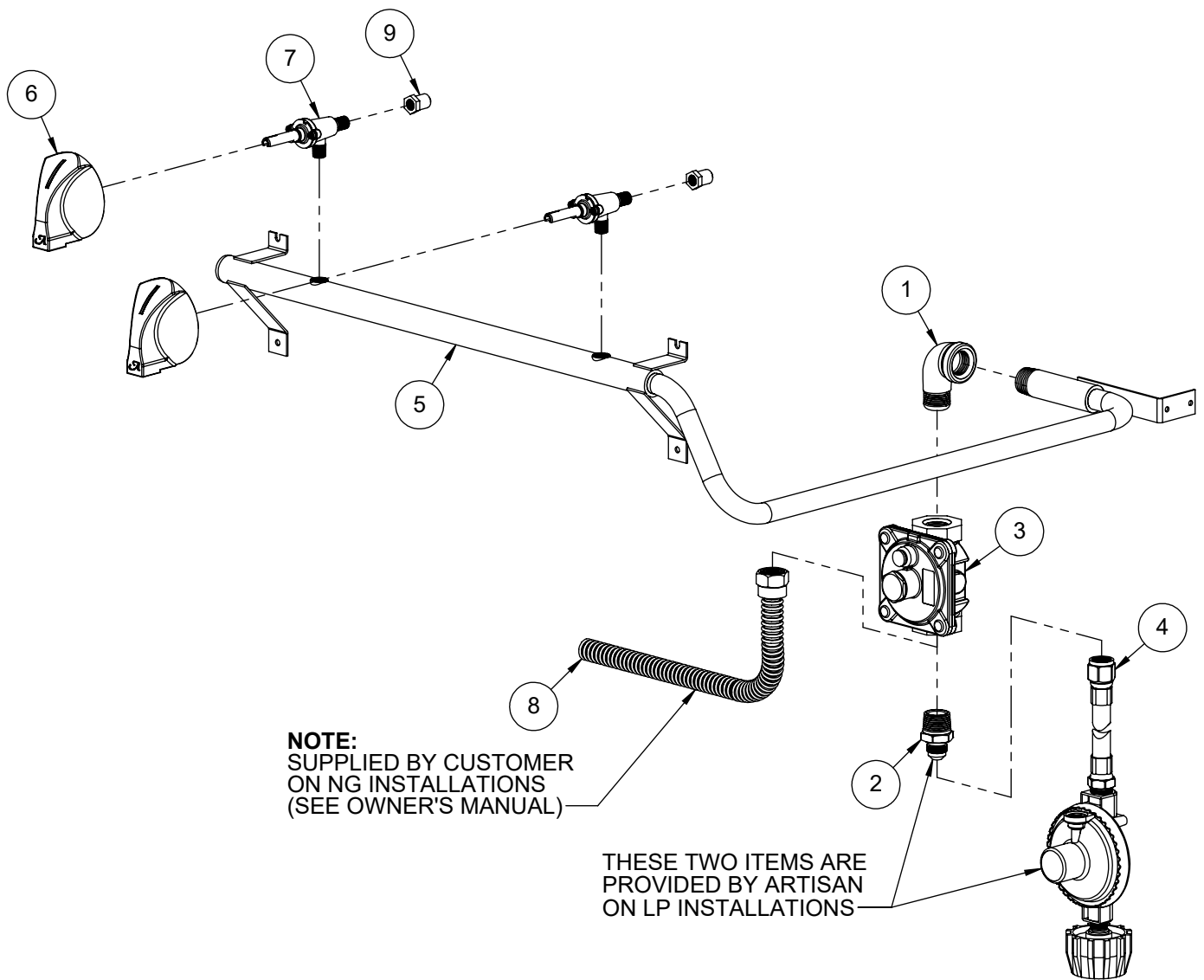
**PROJECT TITLE:**  
**AAEP-26**  
**DRAWING TITLE:**  
**AAEP-26 BBQ MAIN BODY**

**DRAWING NO.:**  
**510-104**  
**SHEET 1 C**

ITEM	PART NUMBER	DESCRIPTION	QTY
1	200-0274	ELBOW 90° - CAST IRON - 1/2" FPT x 1/2" MPT	1
2	220-0275	NIPPLE - 1/2" MPT X 3/8" OD FL	1
3	220-0280	REGULATOR GAS - MAXITROL RV48CL440002	1
4	220-0301	REGULATOR - LP GAS W/36" HOSE - CONN. GREEN	1
5	220-0433	GAS MANIFOLD - ART2-26 / AAE-26	1
6	290-0030	ARTISAN GAS KNOB WITH "A" LOGO	2
7	290-0320	VALVE - GAS - VARIABLE FLOW - 1/8-27 MPT X 1/8-27 NPTS	2
8	SEE NOTE	1/2" ODF - FLEX SS GAS LINE (BY CUSTOMER)	1
9	SEE NOTE	ORIFICE - MAIN BURNER - (SEE NOTE FOR SIZING)	2

**NOTE: ORIFICE OR VALVE ASSEMBLY TO CHANGE ACCORDING TO FUEL SUPPLY: NATURAL GAS OR LIQUID PROPANE**

ITEM	NG	LP
	PART #	PART #
9	220-0283	220-0284



**Artisan**  
SUPERIOR EQUIPMENT SOLUTIONS  
7039 EAST SLAUSON AVENUE  
COMMERCE, CA. 90040

THE INFORMATION CONTAINED IN THIS DRAWING IS THE SOLE PROPERTY OF SUPERIOR EQUIPMENT SOLUTIONS INC. ANY REPRODUCTION IN PART OR AS A WHOLE WITHOUT WRITTEN PERMISSION FROM SUPERIOR EQUIPMENT SOLUTIONS, INC. IS PROHIBITED.

**DRAWN BY:** N SILCOCK  
**CREATED:** 8/8/2016 11:21:19 AM

**PROJECT TITLE:**  
**AAEP-26**

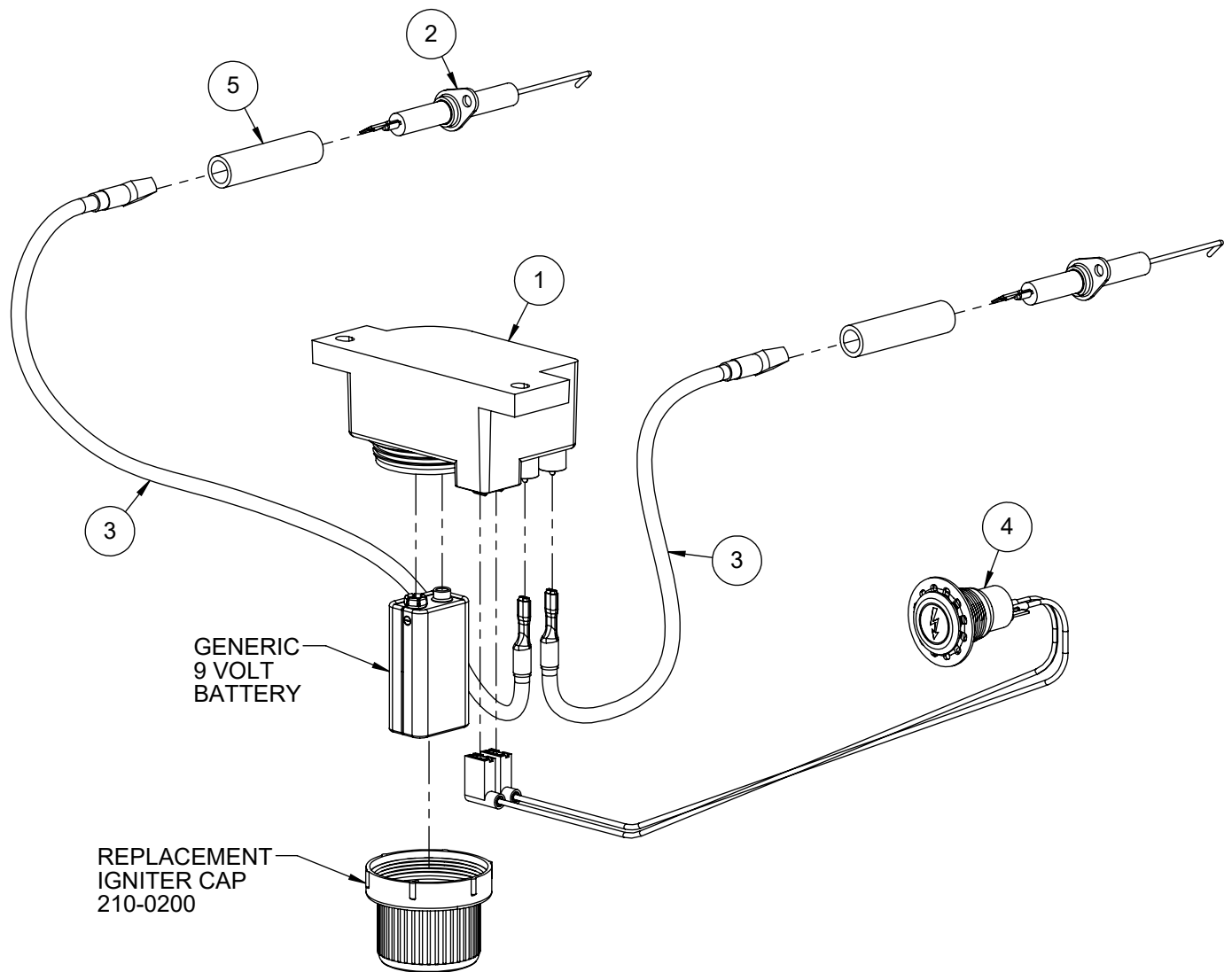
**DRAWING TITLE:**  
**AAEP-26 GAS MANIFOLD**

**DRAWING NO.:**

**510-084**

**SHEET 1 C**

ITEM	PART NUMBER	DESCRIPTION	QTY
1	210-0195	IGNITER MODULE - 2 POINTS (WITH CAP)	1
2	210-0491	ARTISAN U-BURNER ELECTRODE TIP	2
3	210-0540	AAE-26 IGNITER WIRE KIT	1
4	210-0586	SWITCH - IGNITION - MOMENTARY [ON]/OFF	1
5	SEE NOTE	INSULATION SLEEVE - SILICONE 7/16" OD x 5/16" ID x 1-3/4" L	2



NOTE:

ITEM (5) IS INCLUDED IN IGNITER KIT 210-0540 (ITEMS ARE NOT SOLD SEPARATELY)